

## VIN PLATE DECODING INFORMATION

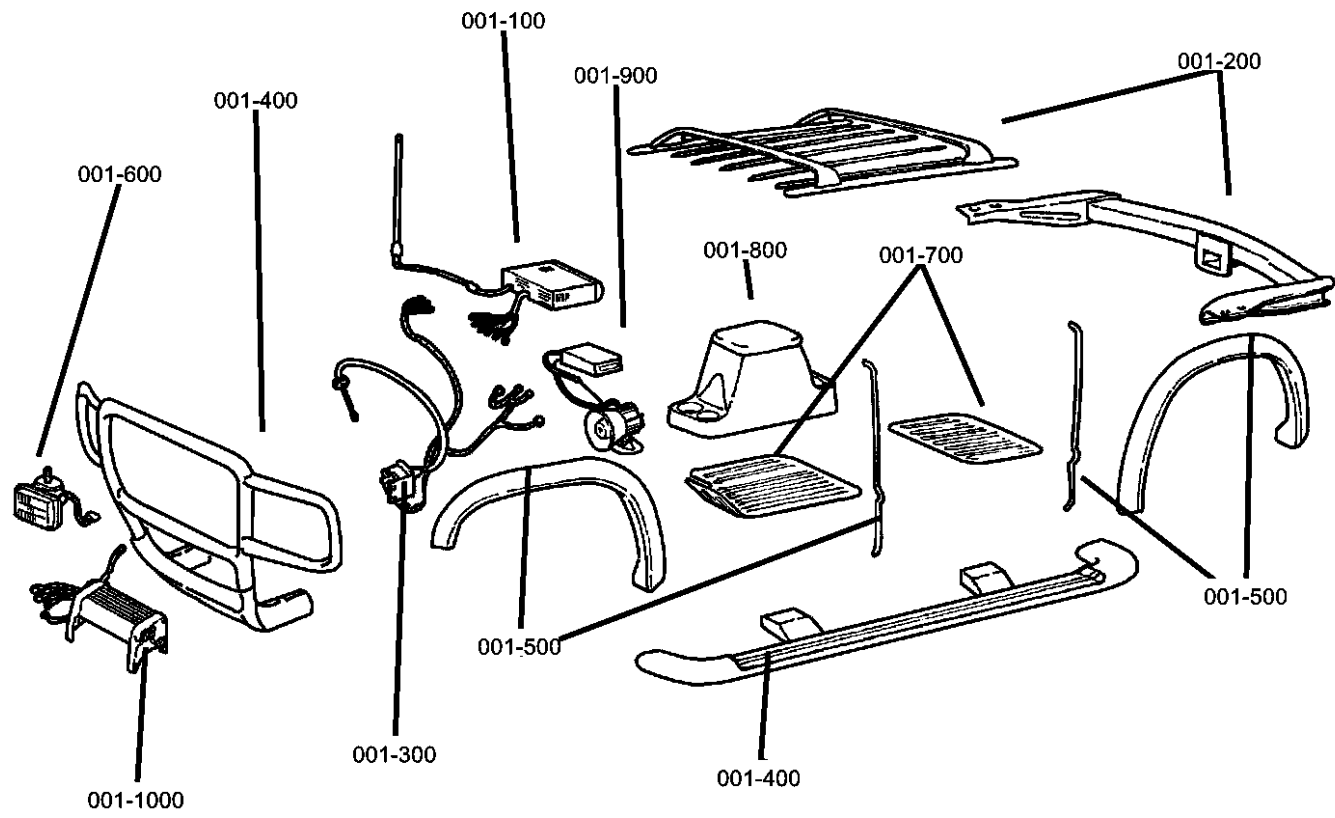
<b>1</b>	<b>2</b>	<b>3</b>	<b>4</b>	<b>5</b>	<b>6</b>	<b>7</b>	<b>8</b>	<b>9</b>	<b>10</b>	<b>11</b>	<b>12 thru 17</b>
<b>Country</b>	<b>Make</b>	<b>Vehicle Type</b>	<b>Other</b>	<b>Line</b>	<b>Series</b>	<b>Body Style</b>	<b>Engine</b>	<b>Check Digit</b>	<b>Model Year</b>	<b>Assy. Plant</b>	<b>Sequence No.</b>


The following table interprets the VIN Plate position shown above.

Position	Interpretation	Codes = Description
1	Country of Origin	1 = Built in U.S. by DaimlerChrysler Corporation
2	Assembler	J = Jeep
3	Vehicle Type	4 = Multipurpose Passenger Vehicle Less Side Air Bags
4	GVWR & Pass. Safety	E = 1361-1814 kg (3001-4000 lbs) F = 1814-2267 kg (4001-5000 lbs) G = 2268-2721 kg (5001-6000 lbs) H = 2722-3175 kg (6001-7000 lbs) J = 3176-3628 kg (7001-8000 lbs) K = 3629-4082 kg (8001-9000 lbs) M = 4536-6350 kg (10001-14000 lbs) L = 4083-4535 kg (9001-10000 lbs)
5	Vehicle Line	K = Liberty 4x2 Left Hand Drive L = Liberty/Cherokee 4x4 Left Hand Drive M = Liberty/Cherokee 4x4 Right Hand Drive
6	Series	5 = P Series - Liberty/Cherokee Limited 4 = H Series - Liberty/Cherokee Sport 3 = M Series - Liberty Renegade
7	Body Style	8 = KJ - 74
8	Engine	1 = 2.4L I4 Cyl. Gas DOHC (ED1) 5 = 2.8L I4 Cyl. 16V Turbo Diesel (ENR) K = 3.7L V6 Cyl. Gas (EKG)
9	Check Digit	0 = Check Digit 0 = Check Digit
10	Model Year	5 = 2005
11	Assembly Plant	L = Toledo North Assembly
12 thru 17	Vehicle Build Sequence	Model Year Assembly Sequence

# Group - 1

## Component Parts for Mopar Accessories



<p><b>001-100</b> Audio &amp; Electronics</p> 	<p><b>001-200</b> Carriers &amp; Cargo Hauling</p> 	<p><b>001-300</b> Driving Convenience</p> 	<p><b>001-400</b> Exterior Appearance</p> 
<p><b>001-500</b> Exterior Protection</p> 	<p><b>001-600</b> Fog Lights &amp; Electrical</p> 	<p><b>001-800</b> Interior Storage</p> 	

---

## Group - 1 Component Parts for Mopar Accessories

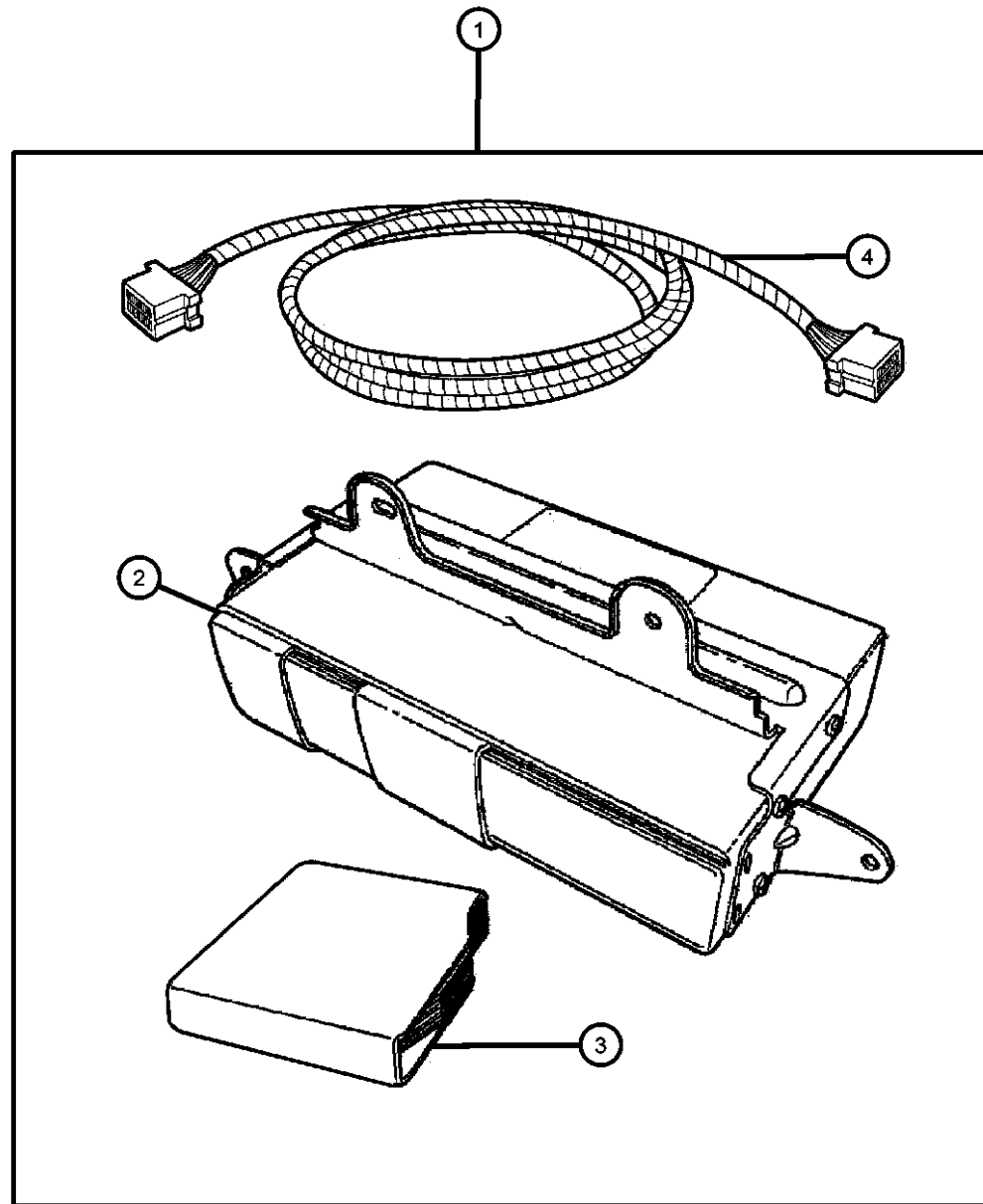
Illustration Title	Group-Fig. No.
<b>Audio &amp; Electronics</b>	
Player Kit - CD Changer .....	Fig. 1 - 110
Satellite Receiver Kit .....	Fig. 1 - 120
Install Kit - Sattelite Receiver Without CD Changer .....	Fig. 1 - 130
Install Kit - Sattelite Receiver With CD .....	Fig. 1 - 135
Navigation Kit (RB1) .....	Fig. 1 - 140
Navigation Kit (RB4) .....	Fig. 1 - 145
<b>Carriers &amp; Cargo Hauling</b>	
Bike Carrier - Roof - Fork Mount .....	Fig. 1 - 210
Bike Carrier - Roof - Upright Mount .....	Fig. 1 - 215
Carrier Kit - Canoe .....	Fig. 1 - 225
Carrier Kit - Water Sports .....	Fig. 1 - 230
Ski Carrier - Spare Tire Mount .....	Fig. 1 - 235
Ski Carrier - Roof Mount .....	Fig. 1 - 240
Luggage Carrier - Roof - Hard Style .....	Fig. 1 - 245
Luggage Carrier - Roof - Vinyl .....	Fig. 1 - 250
Rack Kit - Sport Utility .....	Fig. 1 - 255
Wiring Kit - Trailer Tow - 4 Way .....	Fig. 1 - 260
Wiring Kit - Trailer Tow - 7 Way .....	Fig. 1 - 265
Fan Kit - Engine .....	Fig. 1 - 270
<b>Driving Convenience</b>	
Remote Start - Installation Kit .....	Fig. 1 - 310
Hands Free Kit/Cellular Phone Blue Tooth .....	Fig. 1 - 320
<b>Exterior Appearance</b>	
Running Board Kit .....	Fig. 1 - 410
Wheel Kit .....	Fig. 1 - 415
<b>Exterior Protection</b>	
Skid Plate - Transfer Case .....	Fig. 1 - 510
Skid Plate - Fuel Tank .....	Fig. 1 - 515
<b>Fog Lights &amp; Electrical</b>	
Light Bar Roof .....	Fig. 1 - 615
Heater Kit .....	Fig. 1 - 620
<b>Interior Storage</b>	
Guard Kit - Dog .....	Fig. 1 - 810

**Player Kit - CD Changer**  
**Figure 1-110**

ITEM	PART NUMBER	QTY	LINE	SERIES	BODY	ENGINE	TRANS	TRIM	DESCRIPTION
------	-------------	-----	------	--------	------	--------	-------	------	-------------

Note; For Warranty Repair On Item 2, Order Using Z Prefix

1	82208269	1			74				PLAYER KIT, CD Changer - 6 Disc
2	56038616AA	1			74				CHANGER, CD
3	04797433	1							MAGAZINE, CD Changer
4	05073243AB	1			74				CABLE, CD Changer



**LIBERTY (KJ)**

SERIES	LINE
P = LIMITED	J = JEEP - 4WD
H = SPORT	U = JEEP - 4WD (RHD)
M = RENEGADE	T = JEEP - 2WD

BODY  
74 = SPORT UTILITY 4-DR

ENGINE  
ED1 = Engine - 2.4L 4 Cyl DOHC 16v SMPI  
EKG = Engine - 3.7L V6  
ENR = Engine - 2.8L 4 Cyl Turbo Diesel  
ENO = 4CYL turbo diesel

TRANSMISSION  
DGQ = Transmission-5-Spd Automatic 5-45RFE  
DG6 = Transmission-4-Spd. Automatic, 42RLE  
DEH = Transmission-6-Speed Manual, NSG370  
DG0 = Transmissions - All Automatic  
DBB = ALL MANUAL TRANSMISSIONS

AR = use ase required - = Non illustrated part

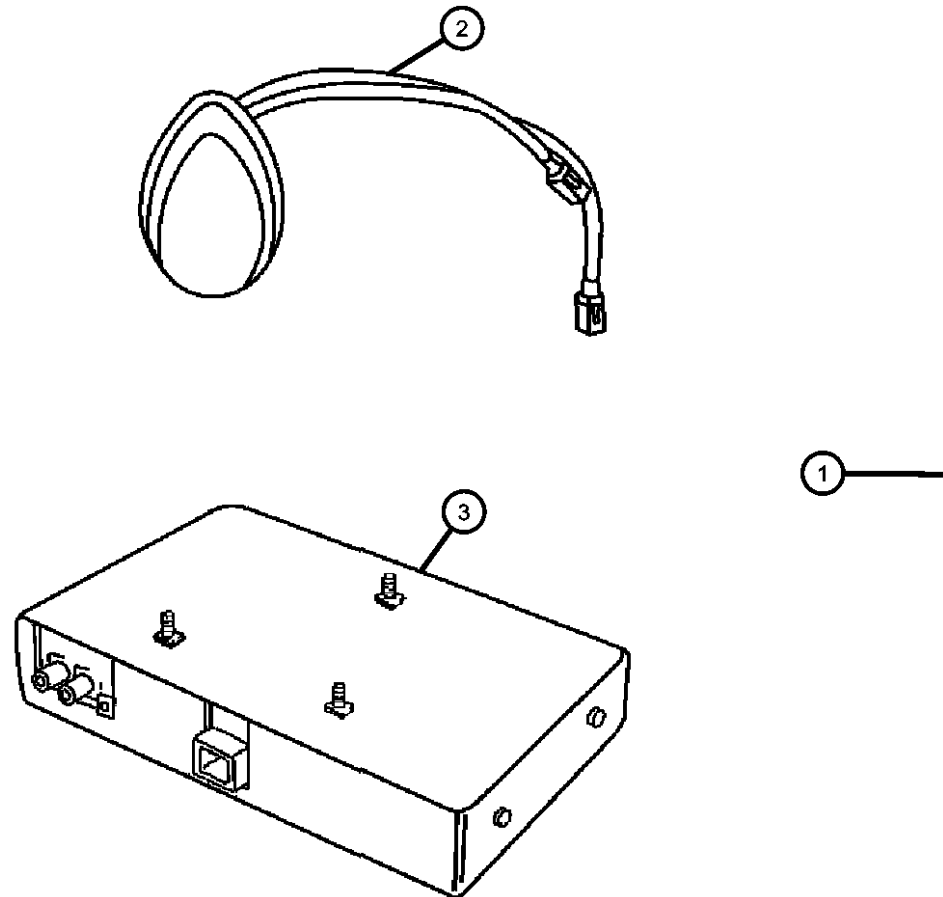
2005 KJ

**Satellite Receiver Kit  
Figure 1-120**

ITEM	PART NUMBER	QTY	LINE	SERIES	BODY	ENGINE	TRANS	TRIM	DESCRIPTION
------	-------------	-----	------	--------	------	--------	-------	------	-------------

Note: For Warranty Repair on Item 3, Order Using Z Prefix

1	82206488AB	1							RECEIVER, Satellite
2	05066205AC	1							ANTENNA, Satellite
3	05064020AJ	1							RECEIVER, Satellite



**LIBERTY (KJ)**

SERIES	LINE
P = LIMITED	J = JEEP - 4WD
H = SPORT	U = JEEP - 4WD (RHD)
M = RENEGADE	T = JEEP - 2WD

BODY  
74 = SPORT UTILITY 4-DR

ENGINE  
ED1 = Engine - 2.4L 4 Cyl  
DOHC 16v SMPI  
EKG = Engine - 3.7L V6  
ENR = Engine - 2.8L 4 Cyl  
Turbo Diesel  
ENO = 4CYL turbo diesel

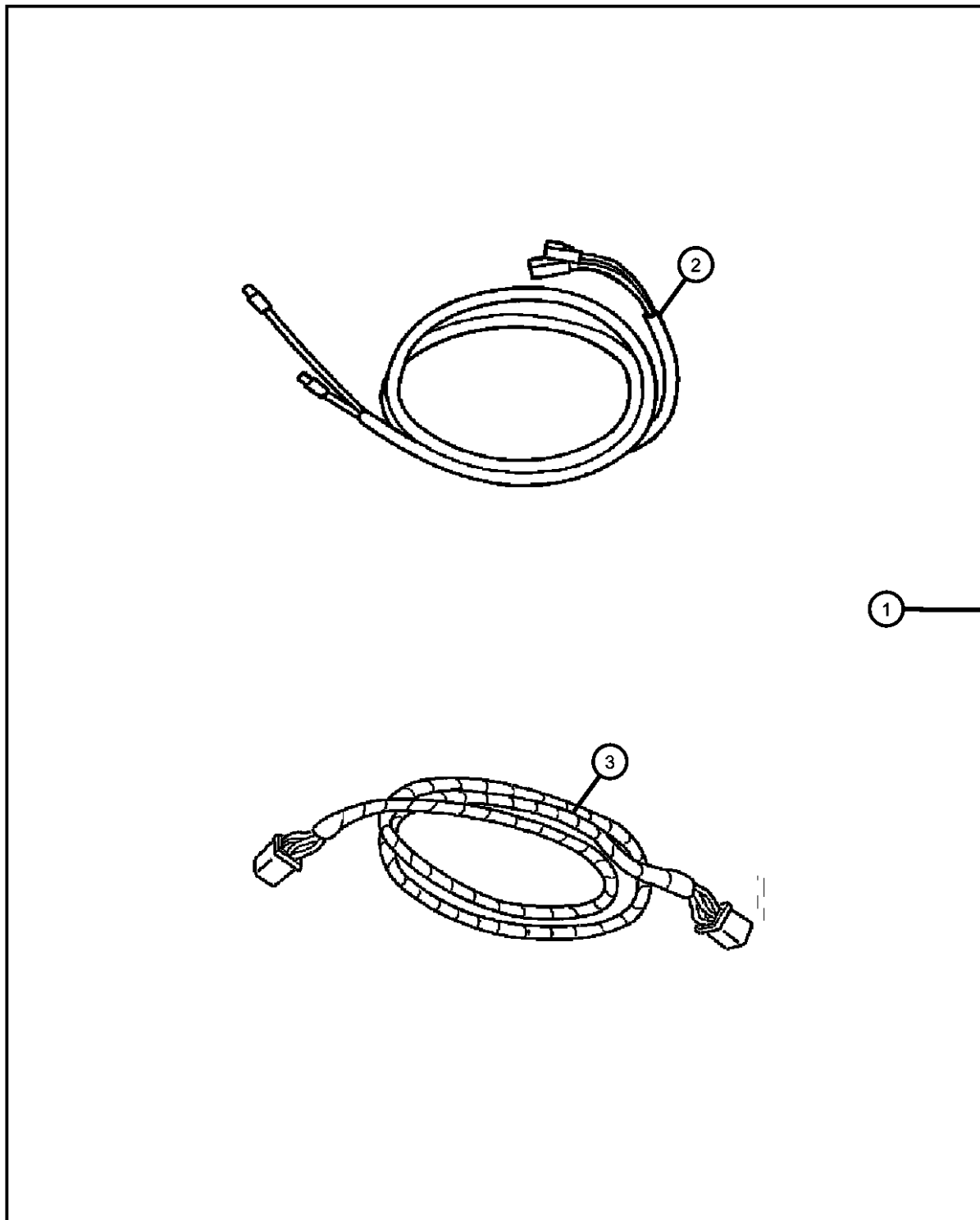
TRANSMISSION  
DGQ = Transmission-5-Spd Automatic  
5-45RFE  
DG6 = Transmission-4-Spd.  
Automatic, 42RLE  
DEH = Transmission-6-Speed Manual,  
NSG370  
DG0 = Transmissions - All Automatic  
DBB = ALL MANUAL  
TRANSMISSIONS

AR = use ase required - = Non illustrated part

2005 KJ

**Install Kit - Sattelite Receiver Without CD Changer**  
**Figure 1-130**

ITEM	PART NUMBER	QTY	LINE	SERIES	BODY	ENGINE	TRANS	TRIM	DESCRIPTION
1	82206489	1							INSTALL KIT, Sattelite Receiver
2	05066207AB	1							CABLE, Antenna
3	05066203AA	1							WIRING, Rcvr to Radio



**LIBERTY (KJ)**

SERIES      LINE  
P = LIMITED      J = JEEP - 4WD  
H = SPORT      U = JEEP - 4WD (RHD)  
M = RENEGADE      T = JEEP - 2WD

BODY  
74 = SPORT UTILITY 4-DR

ENGINE  
ED1 = Engine - 2.4L 4 Cyl  
DOHC 16v SMPI  
EKG = Engine - 3.7L V6  
ENR = Engine - 2.8L 4 Cyl  
Turbo Diesel  
ENO = 4CYL turbo diesel

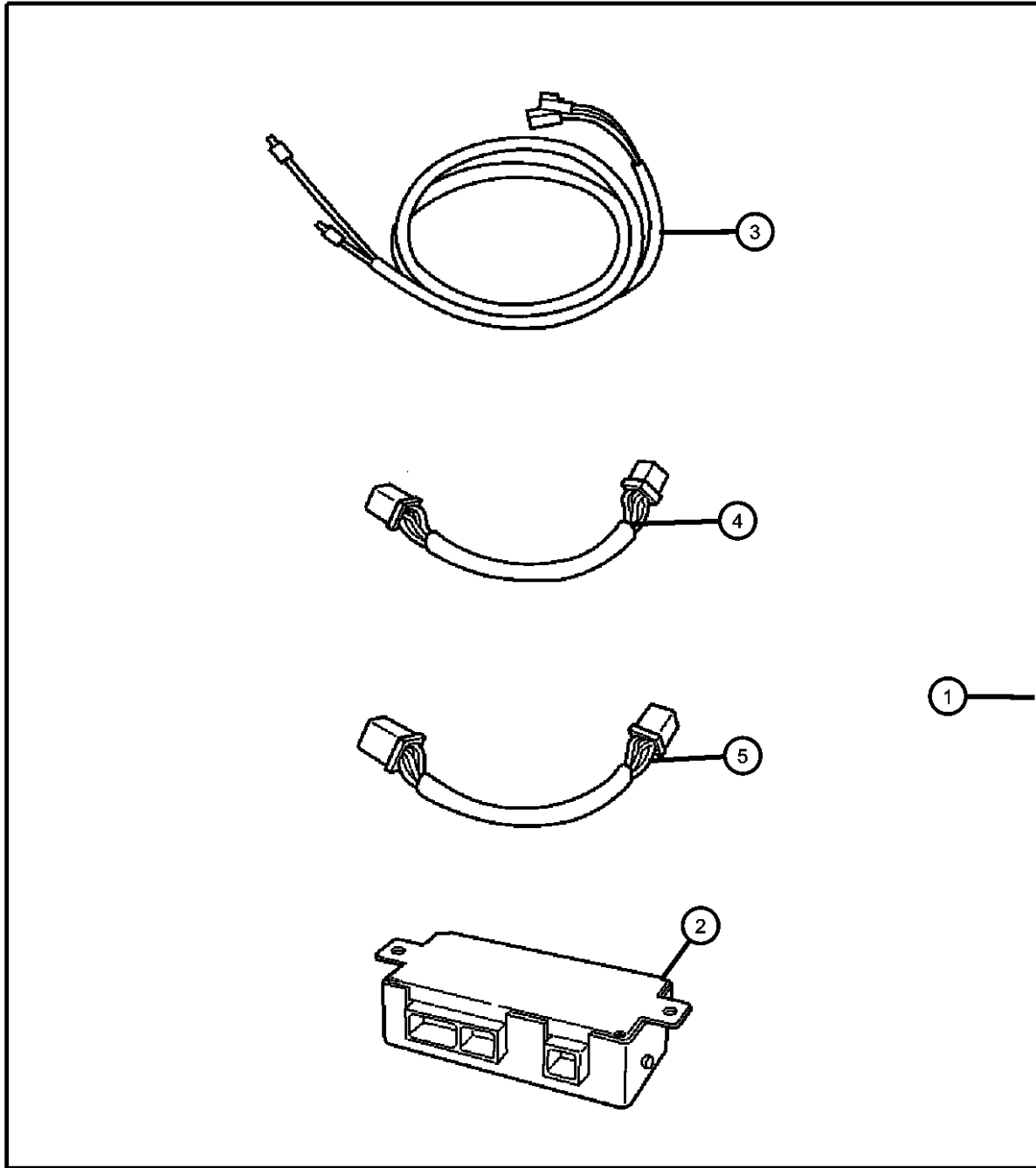
TRANSMISSION  
DGQ = Transmission-5-Spd Automatic  
5-45RFE  
DG6 = Transmission-4-Spd.  
Automatic, 42RLE  
DEH = Transmission-6-Speed Manual,  
NSG370  
DG0 = Transmissions - All Automatic  
DBB = ALL MANUAL  
TRANSMISSIONS

AR = use ase required - = Non illustrated part

2005 KJ

**Install Kit - Satellite Receiver With CD**  
**Figure 1-135**

ITEM	PART NUMBER	QTY	LINE	SERIES	BODY	ENGINE	TRANS	TRIM	DESCRIPTION
1	82207565	1							INSTALL KIT, Satelite Receiver
2	05066202AC	1							MODULE, RR Multiplex
3	05066207AB	1							CABLE, Antenna
4	05066206AA	1							WIRING, RCVR TO MUX
5	05083163AA	1							WIRING, CD to MUX
-6	05066210AA	1							WIRING, Adaptor



**LIBERTY (KJ)**

SERIES      LINE  
P = LIMITED    J = JEEP - 4WD  
H = SPORT      U = JEEP - 4WD (RHD)  
M = RENEGADE   T = JEEP - 2WD

BODY  
74 = SPORT UTILITY 4-DR

ENGINE  
ED1 = Engine - 2.4L 4 Cyl  
DOHC 16v SMPI  
EKG = Engine - 3.7L V6  
ENR = Engine - 2.8L 4 Cyl  
Turbo Diesel  
ENO = 4CYL turbo diesel

TRANSMISSION  
DGQ = Transmission-5-Spd Automatic  
5-45RFE  
DG6 = Transmission-4-Spd.  
Automatic, 42RLE  
DEH = Transmission-6-Speed Manual,  
NSG370  
DG0 = Transmissions - All Automatic  
DBB = ALL MANUAL  
TRANSMISSIONS

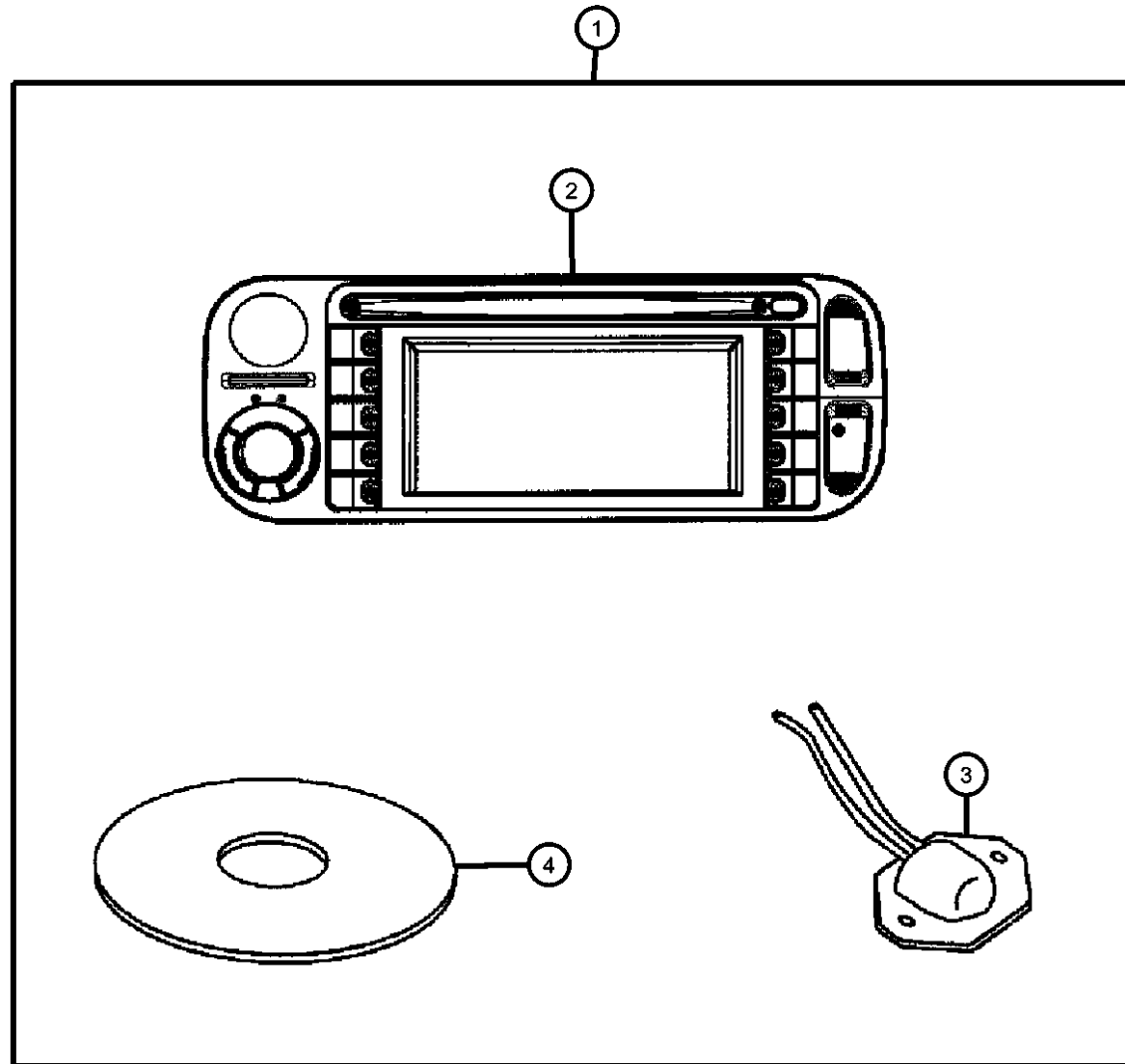
AR = use ase required   - = Non illustrated part

Navigation Kit (RB1)  
Figure 1-140

ITEM	PART NUMBER	QTY	LINE	SERIES	BODY	ENGINE	TRANS	TRIM	DESCRIPTION
------	-------------	-----	------	--------	------	--------	-------	------	-------------

Note: For Warranty Repair On Item 2, Order Using Z Prefix

1	82208715AB	1							RADIO, AM/FM CD W/NAV/DVD & CD-CTRL
2	56038629AG	1							RADIO, AM/FM CD W/NAV/DVD & CD-CTRL
3	56038630AA	1							ANTENNA, GPS
4	05064033AA	1							DVD, Geographic Database



LIBERTY (KJ)

SERIES      LINE  
P = LIMITED      J = JEEP - 4WD  
H = SPORT      U = JEEP - 4WD (RHD)  
M = RENEGADE      T = JEEP - 2WD

BODY  
74 = SPORT UTILITY 4-DR

ENGINE  
ED1 = Engine - 2.4L 4 Cyl DOHC 16v SMPI  
EKG = Engine - 3.7L V6  
ENR = Engine - 2.8L 4 Cyl Turbo Diesel  
ENO = 4CYL turbo diesel

TRANSMISSION  
DGQ = Transmission-5-Spd Automatic 5-45RFE  
DG6 = Transmission-4-Spd. Automatic, 42RLE  
DEH = Transmission-6-Speed Manual, NSG370  
DG0 = Transmissions - All Automatic  
DBB = ALL MANUAL TRANSMISSIONS

AR = use ase required - = Non illustrated part

2005 KJ

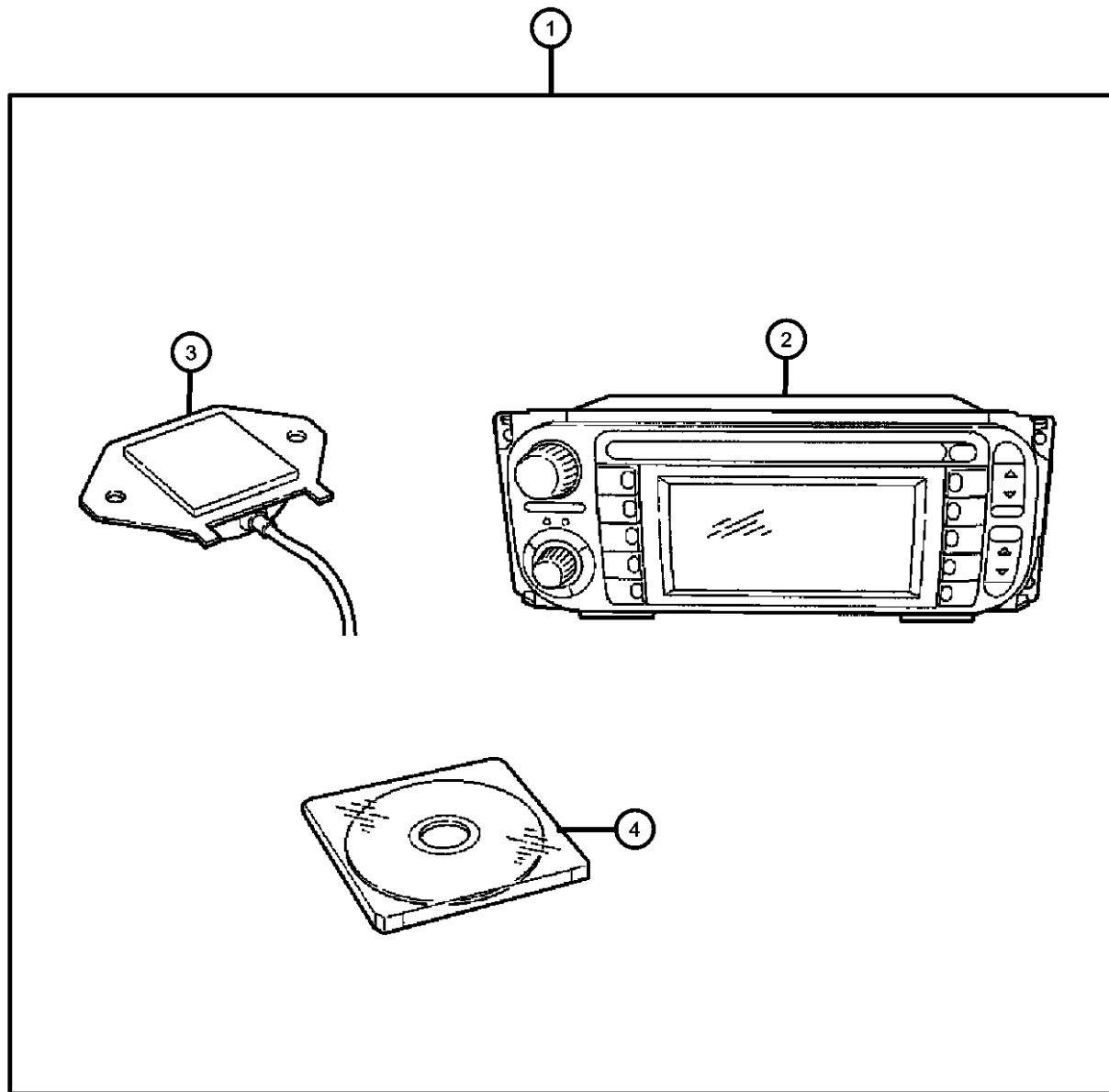


Navigation Kit (RB4)  
Figure 1-145

ITEM	PART NUMBER	QTY	LINE	SERIES	BODY	ENGINE	TRANS	TRIM	DESCRIPTION
------	-------------	-----	------	--------	------	--------	-------	------	-------------

Note: For Warranty Repair on Item 2, Order Using Z Prefix

1	82208481	1							RADIO, AM/FM CD W/NAV/DVD & CD-CTRL, [RB4]
2	56043286AE	1							RADIO, AM/FM CD W/NAV/DVD & CD-CTRL
3	05094003AA	1							ANTENNA, Satellite
4	05091501AG	1							COMPACT DISC, Navigation



LIBERTY (KJ)

SERIES LINE  
P = LIMITED J = JEEP - 4WD  
H = SPORT U = JEEP - 4WD (RHD)  
M = RENEGADE T = JEEP - 2WD

BODY  
74 = SPORT UTILITY 4-DR

ENGINE  
ED1 = Engine - 2.4L 4 Cyl  
DOHC 16v SMPI  
EKG = Engine - 3.7L V6  
ENR = Engine - 2.8L 4 Cyl  
Turbo Diesel  
ENO = 4CYL turbo diesel

TRANSMISSION  
DGQ = Transmission-5-Spd Automatic  
5-45RFE  
DG6 = Transmission-4-Spd.  
Automatic, 42RLE  
DEH = Transmission-6-Speed Manual,  
NSG370  
DG0 = Transmissions - All Automatic  
DBB = ALL MANUAL  
TRANSMISSIONS

AR = use ase required - = Non illustrated part

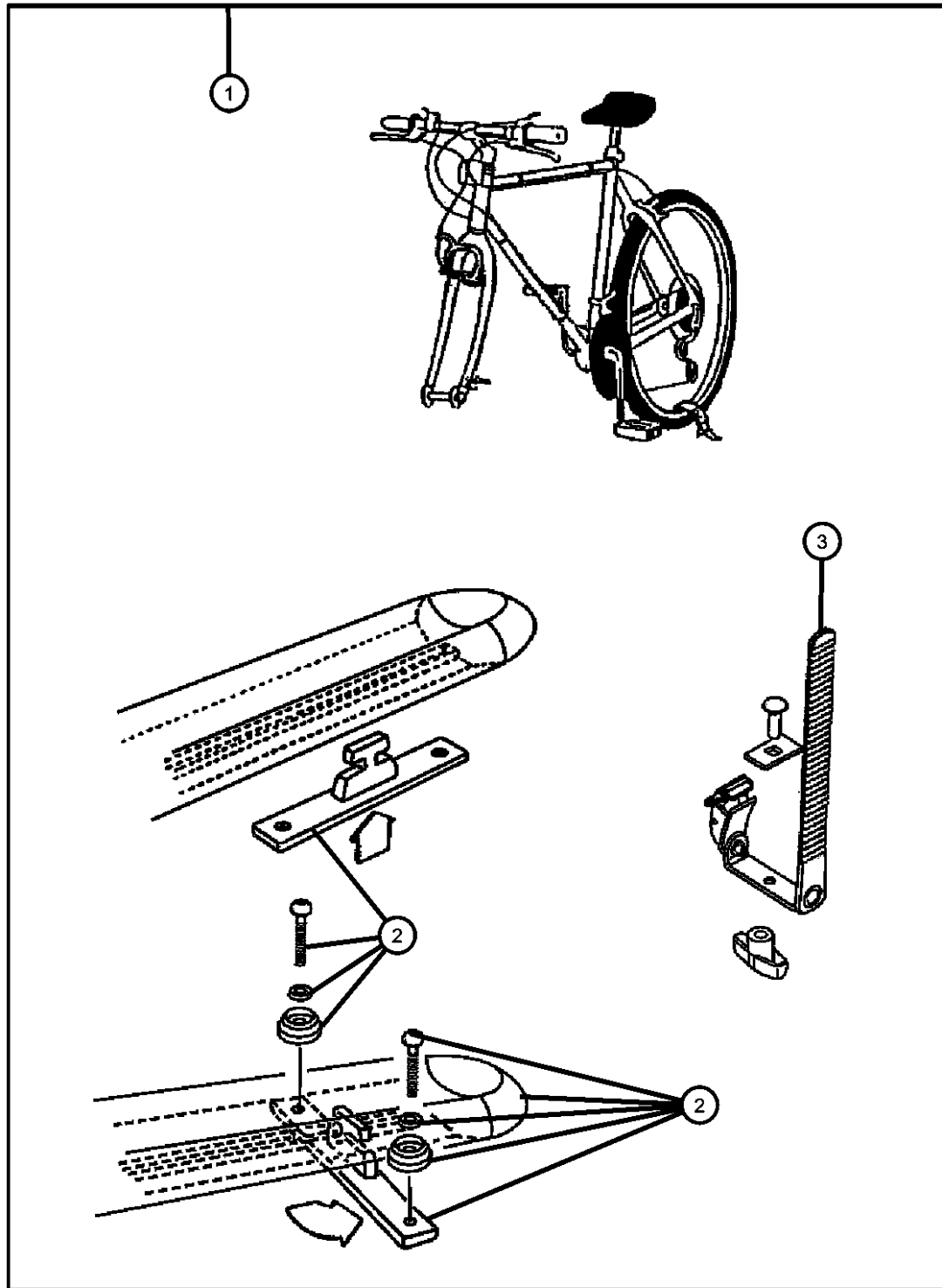
2005 KJ

**Bike Carrier - Roof - Fork Mount**  
**Figure 1-210**

ITEM	PART NUMBER	QTY	LINE	SERIES	BODY	ENGINE	TRANS	TRIM	DESCRIPTION
------	-------------	-----	------	--------	------	--------	-------	------	-------------

Note; Requires Sport Utility Rack

1	82207943	1			74				CARRIER KIT, Bike, Fork - Mount
2	05093779AA	1			74				HARDWARE KIT, Accessory
3	05114532AA	1			74				STRAP, Cargo Tie Down



**LIBERTY (KJ)**

SERIES      LINE  
P = LIMITED    J = JEEP - 4WD  
H = SPORT      U = JEEP - 4WD (RHD)  
M = RENEGADE   T = JEEP - 2WD

BODY  
74 = SPORT UTILITY 4-DR

ENGINE  
ED1 = Engine - 2.4L 4 Cyl  
DOHC 16v SMPI  
EKG = Engine - 3.7L V6  
ENR = Engine - 2.8L 4 Cyl  
Turbo Diesel  
ENO = 4CYL turbo diesel

TRANSMISSION  
DGQ = Transmission-5-Spd Automatic  
5-45RFE  
DG6 = Transmission-4-Spd.  
Automatic, 42RLE  
DEH = Transmission-6-Speed Manual,  
NSG370  
DG0 = Transmissions - All Automatic  
DBB = ALL MANUAL  
TRANSMISSIONS

AR = use ase required - = Non illustrated part

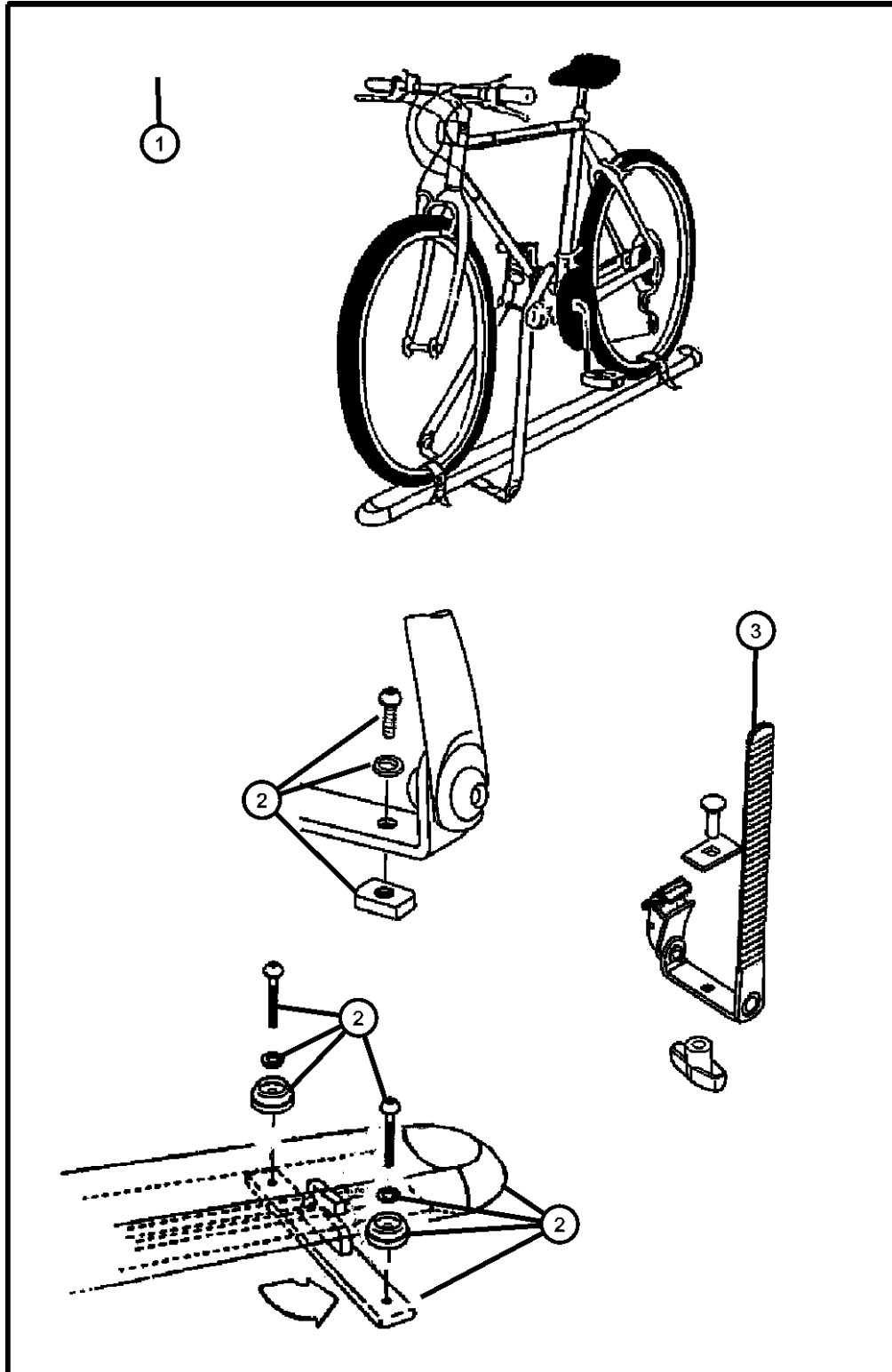
2005 KJ

**Bike Carrier - Roof - Upright Mount**  
**Figure 1-215**

ITEM	PART NUMBER	QTY	LINE	SERIES	BODY	ENGINE	TRANS	TRIM	DESCRIPTION
------	-------------	-----	------	--------	------	--------	-------	------	-------------

Note; Requires Sport Utility Rack

1	82207942	1			74				CARRIER KIT, Bike, Upright - Mount
2	05093779AA	1			74				HARDWARE KIT, Accessory
3	05114532AA	1			74				STRAP, Cargo Tie Down



**LIBERTY (KJ)**

SERIES      LINE  
P = LIMITED      J = JEEP - 4WD  
H = SPORT      U = JEEP - 4WD (RHD)  
M = RENEGADE      T = JEEP - 2WD

BODY  
74 = SPORT UTILITY 4-DR

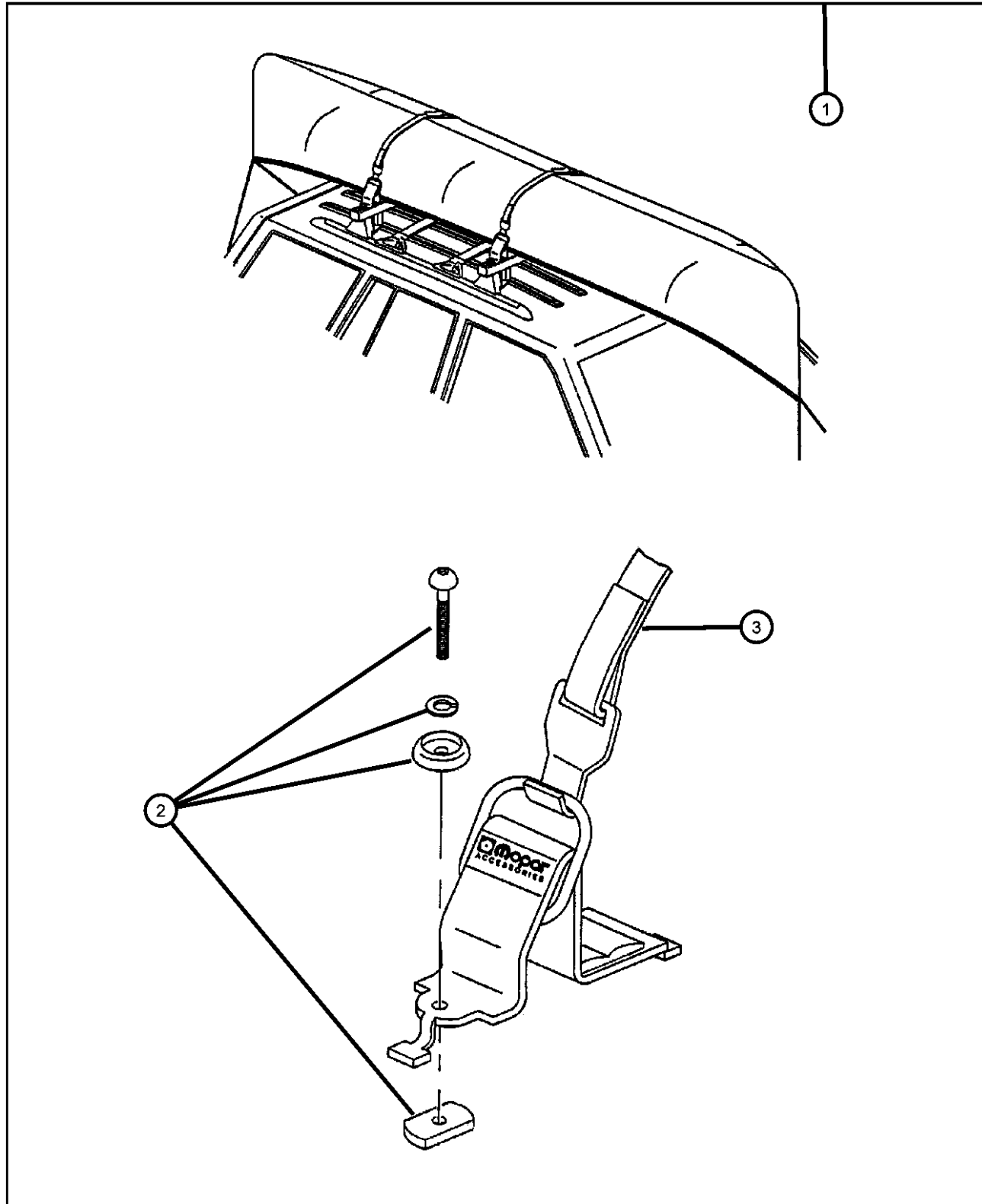
ENGINE  
ED1 = Engine - 2.4L 4 Cyl DOHC 16v SMPI  
EKG = Engine - 3.7L V6  
ENR = Engine - 2.8L 4 Cyl Turbo Diesel  
ENO = 4CYL turbo diesel

TRANSMISSION  
DGQ = Transmission-5-Spd Automatic 5-45RFE  
DG6 = Transmission-4-Spd. Automatic, 42RLE  
DEH = Transmission-6-Speed Manual, NSG370  
DG0 = Transmissions - All Automatic  
DBB = ALL MANUAL TRANSMISSIONS

AR = use ase required - = Non illustrated part

2005 KJ

Carrier Kit - Canoe  
Figure 1-225



ITEM	PART NUMBER	QTY	LINE	SERIES	BODY	ENGINE	TRANS	TRIM	DESCRIPTION
------	-------------	-----	------	--------	------	--------	-------	------	-------------

Note; Requires Sport Utility Rack

1	82204700	1							
2	05016389AA	1							
3	05016511AA	1							

CARRIER KIT, Canoe  
HARDWARE KIT, Accessory,  
Contains 4 25MM Button Head  
Screws, 4 30MM Button Head  
Screws, 4 Dome Washers, 4 Lock  
Washers, 4 Rubber Washers, 4  
T-Nuts  
STRAP, Cargo Tie Down

LIBERTY (KJ)

SERIES      LINE  
P = LIMITED    J = JEEP - 4WD  
H = SPORT      U = JEEP - 4WD (RHD)  
M = RENEGADE   T = JEEP - 2WD

BODY  
74 = SPORT UTILITY 4-DR

ENGINE  
ED1 = Engine - 2.4L 4 Cyl  
DOHC 16v SMPI  
EKG = Engine - 3.7L V6  
ENR = Engine - 2.8L 4 Cyl  
Turbo Diesel  
ENO = 4CYL turbo diesel

TRANSMISSION  
DGQ = Transmission-5-Spd Automatic  
5-45RFE  
DG6 = Transmission-4-Spd.  
Automatic, 42RLE  
DEH = Transmission-6-Speed Manual,  
NSG370  
DG0 = Transmissions - All Automatic  
DBB = ALL MANUAL  
TRANSMISSIONS

AR = use ase required - = Non illustrated part

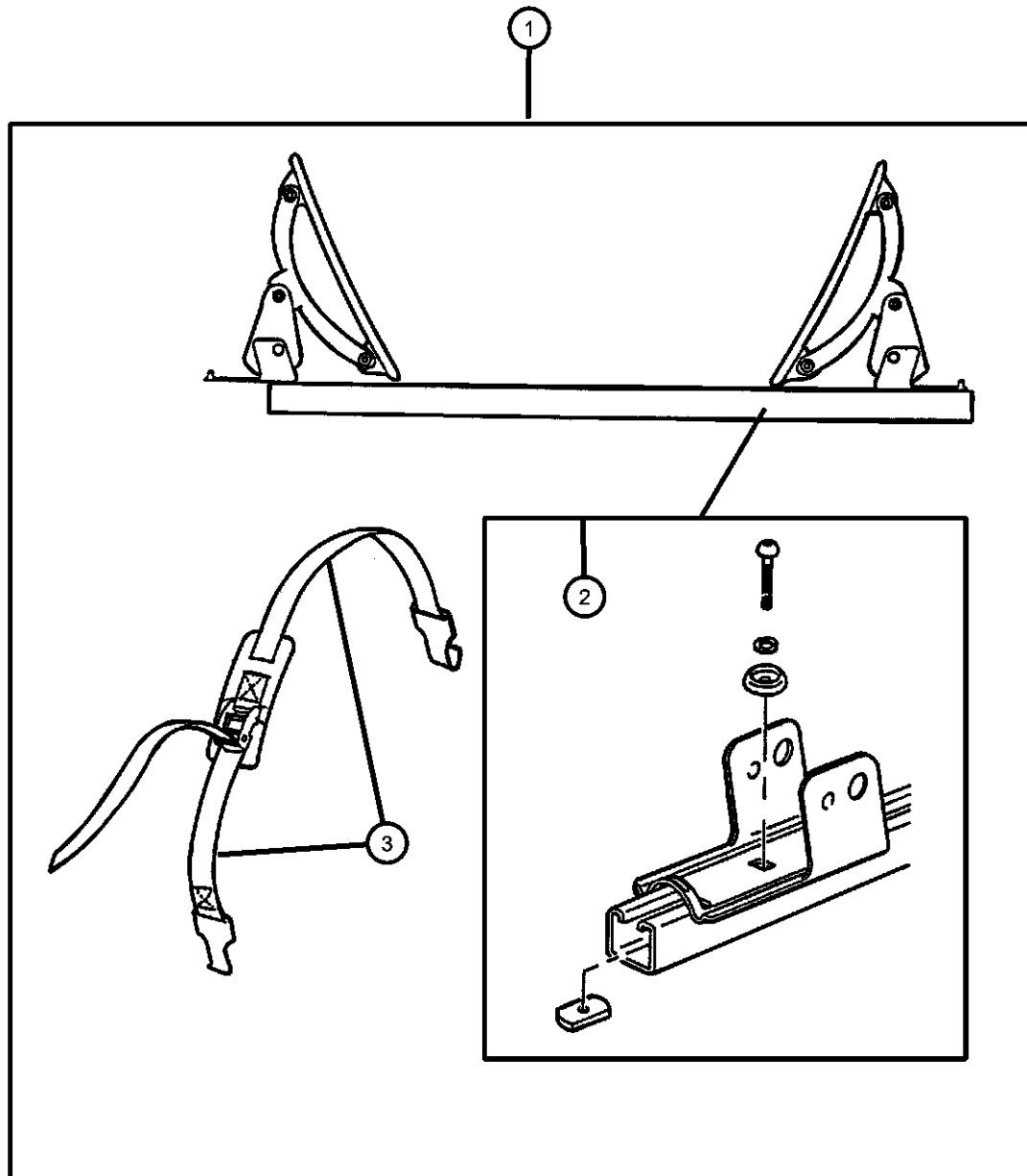
2005 KJ

**Carrier Kit - Water Sports**  
**Figure 1-230**

ITEM	PART NUMBER	QTY	LINE	SERIES	BODY	ENGINE	TRANS	TRIM	DESCRIPTION
------	-------------	-----	------	--------	------	--------	-------	------	-------------

Note; Requires Sport Utility Rack

1	82205416	1			74				CARRIER KIT, Water Sports
2	05016389AA	1							HARDWARE KIT, Accessory, Contains 4 25MM Button Head Screws, 4 30MM Button Head Screws, 4 Dome Washers, 4 Lock Washers, 4 Rubber Washers, 4 T-Nuts
3	05016511AA	1							STRAP, Cargo Tie Down



**LIBERTY (KJ)**

SERIES      LINE  
P = LIMITED      J = JEEP - 4WD  
H = SPORT      U = JEEP - 4WD (RHD)  
M = RENEGADE      T = JEEP - 2WD

BODY  
74 = SPORT UTILITY 4-DR

ENGINE  
ED1 = Engine - 2.4L 4 Cyl  
DOHC 16v SMPI  
EKG = Engine - 3.7L V6  
ENR = Engine - 2.8L 4 Cyl  
Turbo Diesel  
ENO = 4CYL turbo diesel

TRANSMISSION  
DGQ = Transmission-5-Spd Automatic  
5-45RFE  
DG6 = Transmission-4-Spd.  
Automatic, 42RLE  
DEH = Transmission-6-Speed Manual,  
NSG370  
DG0 = Transmissions - All Automatic  
DBB = ALL MANUAL  
TRANSMISSIONS

AR = use ase required - = Non illustrated part

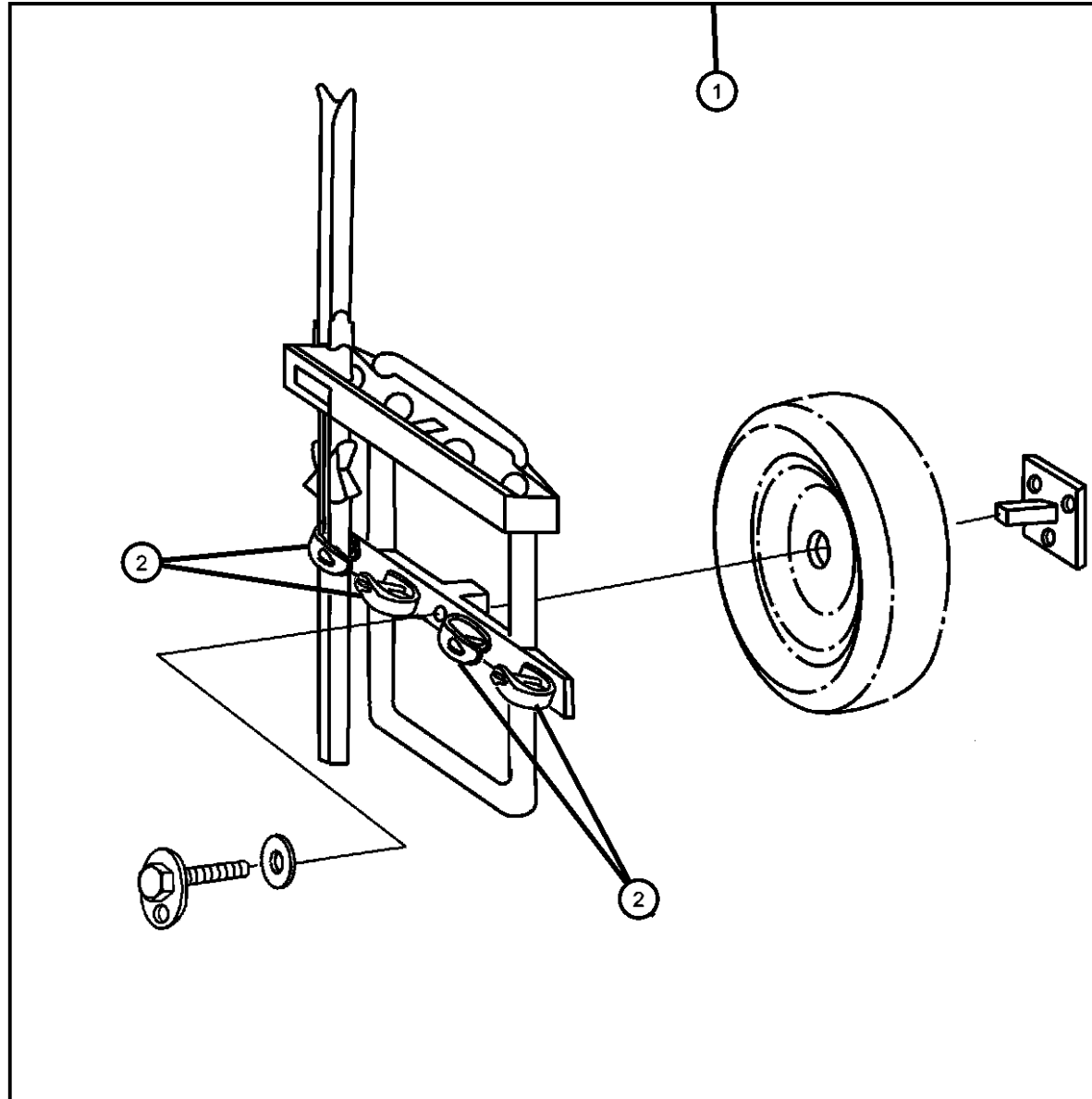
2005 KJ

**Ski Carrier - Spare Tire Mount**  
**Figure 1-235**

ITEM	PART NUMBER	QTY	LINE	SERIES	BODY	ENGINE	TRANS	TRIM	DESCRIPTION
------	-------------	-----	------	--------	------	--------	-------	------	-------------

NOTE: Requires full size, outside mounted spare tire.

1	82207643	1			74				CARRIER KIT, Ski
2	05016775AA	1			74				STRAP KIT, Bike Carrier Latch



**LIBERTY (KJ)**

SERIES      LINE  
P = LIMITED      J = JEEP - 4WD  
H = SPORT      U = JEEP - 4WD (RHD)  
M = RENEGADE      T = JEEP - 2WD

BODY  
74 = SPORT UTILITY 4-DR

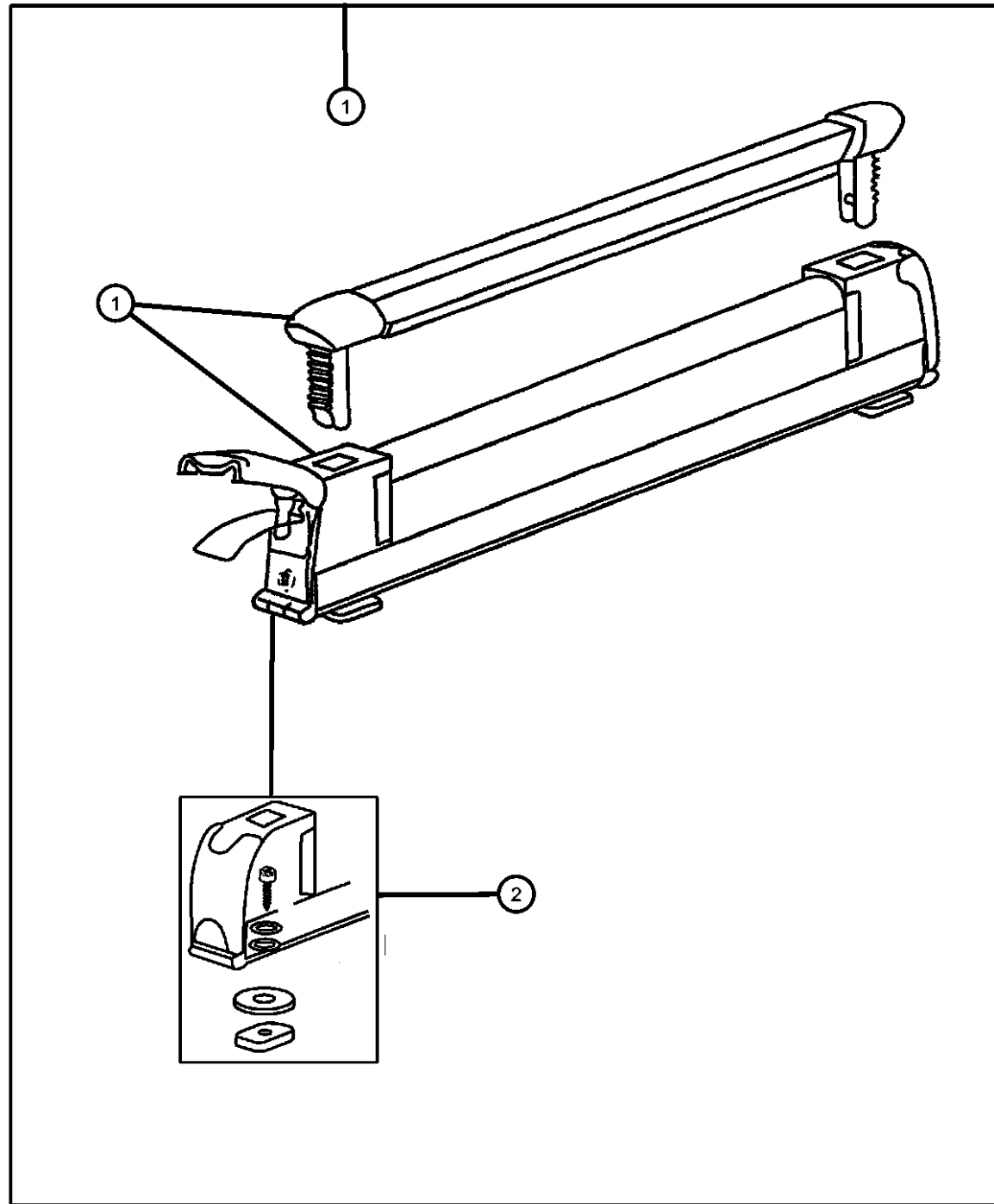
ENGINE  
ED1 = Engine - 2.4L 4 Cyl  
DOHC 16v SMPI  
EKG = Engine - 3.7L V6  
ENR = Engine - 2.8L 4 Cyl  
Turbo Diesel  
ENO = 4CYL turbo diesel

TRANSMISSION  
DGQ = Transmission-5-Spd Automatic  
5-45RFE  
DG6 = Transmission-4-Spd.  
Automatic, 42RLE  
DEH = Transmission-6-Speed Manual,  
NSG370  
DG0 = Transmissions - All Automatic  
DBB = ALL MANUAL  
TRANSMISSIONS

AR = use ase required - = Non illustrated part

2005 KJ

**Ski Carrier - Roof Mount**  
**Figure 1-240**



ITEM	PART NUMBER	QTY	LINE	SERIES	BODY	ENGINE	TRANS	TRIM	DESCRIPTION
------	-------------	-----	------	--------	------	--------	-------	------	-------------

Note; Requires Sport Utility Rack

1	82207308	1							CARRIER KIT, Ski
	82207312	1							6 Pair or 4 Snowboards
	05086158AA	1							3 Pair or 2 Snowboards
2	05066632AA	1							HARDWARE KIT, Accessory, Contains: 4 - 25MM Screws, 4 - 20M Screws, 4 - 16MM Screws, 4 - Lock Washers, 4 - Flat Washers, 4 - T Plates, 4 - Rubber Washers
-3									TOOL, Screw Driver

**LIBERTY (KJ)**

SERIES            LINE  
P = LIMITED      J = JEEP - 4WD  
H = SPORT        U = JEEP - 4WD (RHD)  
M = RENEGADE   T = JEEP - 2WD

BODY  
74 = SPORT UTILITY 4-DR

ENGINE  
ED1 = Engine - 2.4L 4 Cyl  
DOHC 16v SMPI  
EKG = Engine - 3.7L V6  
ENR = Engine - 2.8L 4 Cyl  
Turbo Diesel  
ENO = 4CYL turbo diesel

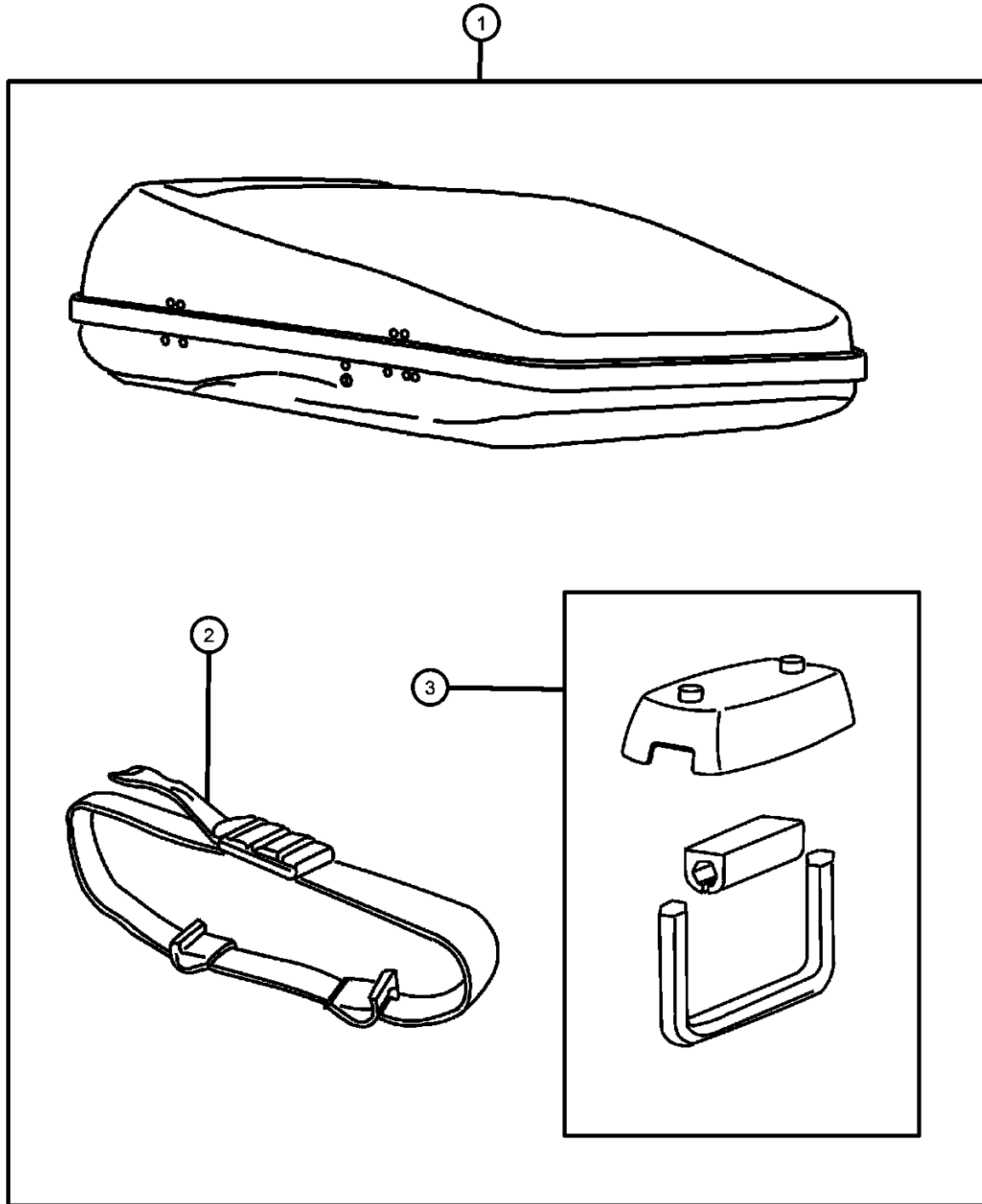
TRANSMISSION  
DGQ = Transmission-5-Spd Automatic  
5-45RFE  
DG6 = Transmission-4-Spd.  
Automatic, 42RLE  
DEH = Transmission-6-Speed Manual,  
NSG370  
DG0 = Transmissions - All Automatic  
DBB = ALL MANUAL  
TRANSMISSIONS

AR = use ase required   - = Non illustrated part

2005 KJ

Luggage Carrier - Roof - Hard Style  
Figure 1-245

ITEM	PART NUMBER	QTY	LINE	SERIES	BODY	ENGINE	TRANS	TRIM	DESCRIPTION
------	-------------	-----	------	--------	------	--------	-------	------	-------------



Note; Requires Sport Utility Rack

1	82207341	1							CARRIER KIT, Luggage 28 inch x 90 inch
	82207353	1							31 inch x 71 inch
2	05086160AA	1							STRAP, Cargo Tie Down
3	05086159AA	1							HARDWARE KIT

LIBERTY (KJ)

SERIES      LINE  
P = LIMITED      J = JEEP - 4WD  
H = SPORT      U = JEEP - 4WD (RHD)  
M = RENEGADE      T = JEEP - 2WD

BODY  
74 = SPORT UTILITY 4-DR

ENGINE  
ED1 = Engine - 2.4L 4 Cyl  
DOHC 16v SMPI  
EKG = Engine - 3.7L V6  
ENR = Engine - 2.8L 4 Cyl  
Turbo Diesel  
ENO = 4CYL turbo diesel

TRANSMISSION  
DGQ = Transmission-5-Spd Automatic  
5-45RFE  
DG6 = Transmission-4-Spd.  
Automatic, 42RLE  
DEH = Transmission-6-Speed Manual,  
NSG370  
DG0 = Transmissions - All Automatic  
DBB = ALL MANUAL  
TRANSMISSIONS

AR = use ase required - = Non illustrated part

2005 KJ

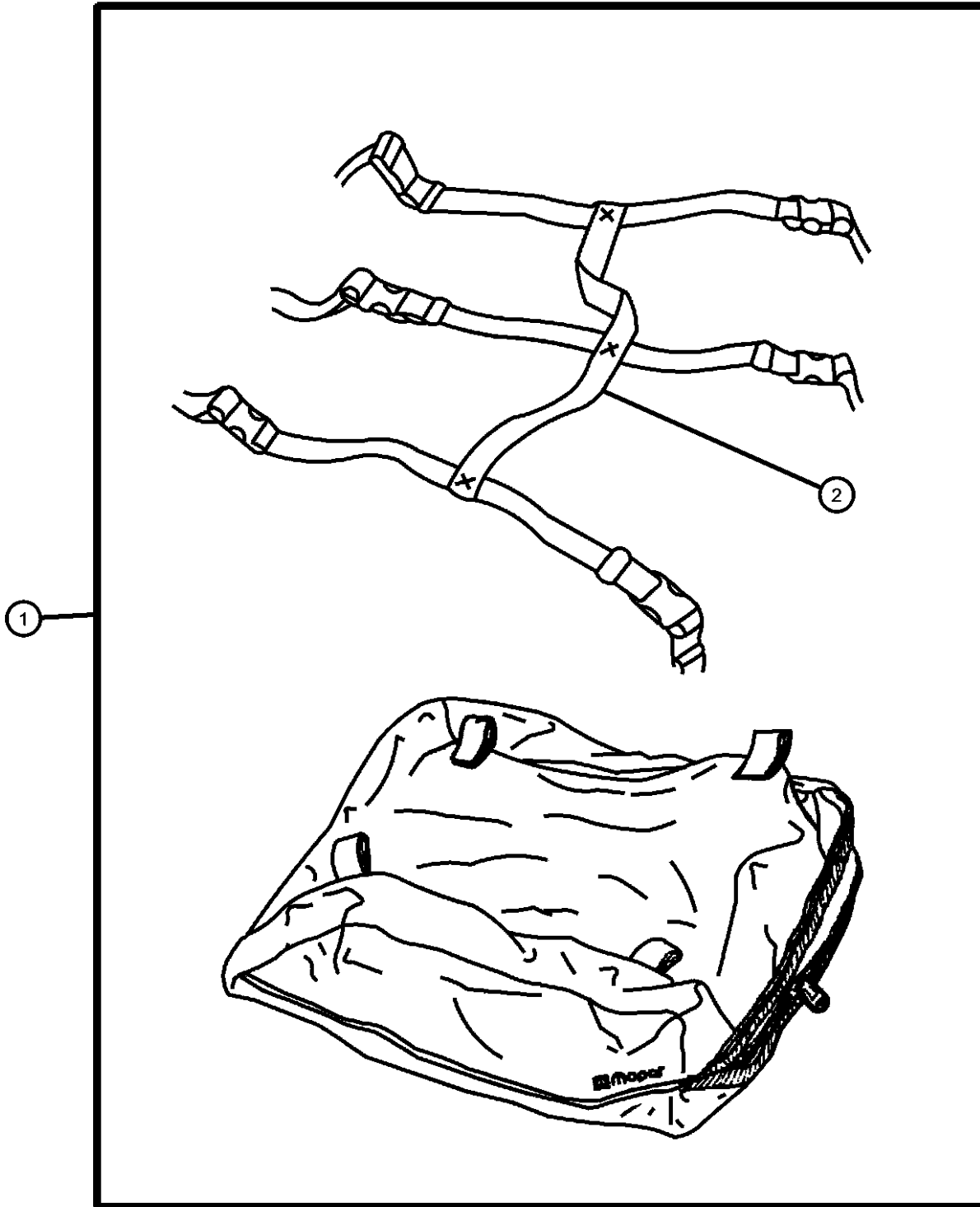


Luggage Carrier - Roof - Vinyl  
Figure 1-250

ITEM	PART NUMBER	QTY	LINE	SERIES	BODY	ENGINE	TRANS	TRIM	DESCRIPTION
------	-------------	-----	------	--------	------	--------	-------	------	-------------

Note; Requires Sport Utility Rack

1	82207198	1							CARRIER KIT, Luggage, 39 inch x 37 inch x 12 inch
2	05066332AA	1							STRAP KIT, Luggage Carrier



LIBERTY (KJ)

SERIES      LINE  
P = LIMITED      J = JEEP - 4WD  
H = SPORT      U = JEEP - 4WD (RHD)  
M = RENEGADE      T = JEEP - 2WD

BODY  
74 = SPORT UTILITY 4-DR

ENGINE  
ED1 = Engine - 2.4L 4 Cyl DOHC 16v SMPI  
EKG = Engine - 3.7L V6  
ENR = Engine - 2.8L 4 Cyl Turbo Diesel  
ENO = 4CYL turbo diesel

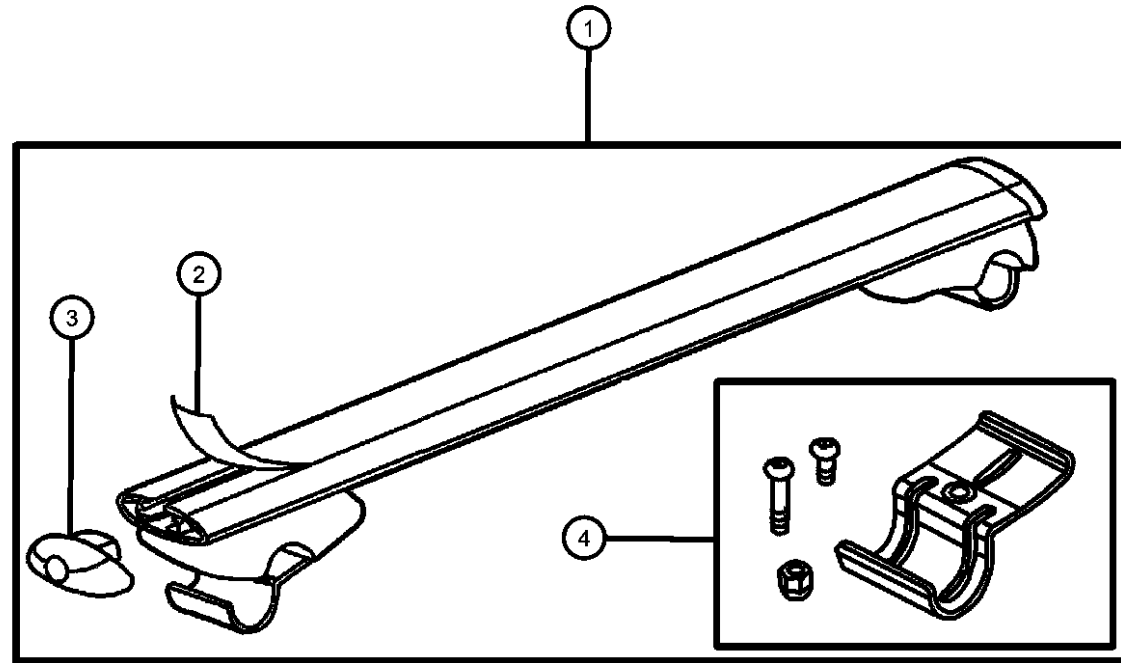
TRANSMISSION  
DGQ = Transmission-5-Spd Automatic 5-45RFE  
DG6 = Transmission-4-Spd. Automatic, 42RLE  
DEH = Transmission-6-Speed Manual, NSG370  
DG0 = Transmissions - All Automatic  
DBB = ALL MANUAL TRANSMISSIONS

AR = use ase required - = Non illustrated part

2005 KJ

Rack Kit - Sport Utility  
Figure 1-255

ITEM	PART NUMBER	QTY	LINE	SERIES	BODY	ENGINE	TRANS	TRIM	DESCRIPTION
1	82205174	1	J, T		74				RACK KIT, Sport - Rail Mount
2	05086161AA	1	J, T		74				RUB STRIP, Lugg Rack Cross
3	05086162AA	1	J, T		74				END CAP, Luggage Rack
4	05086293AA	1	J, T		74				HARDWARE KIT
-5	05066632AA	1	J, T		74				TOOL, Screw Driver



LIBERTY (KJ)

SERIES      LINE  
P = LIMITED      J = JEEP - 4WD  
H = SPORT      U = JEEP - 4WD (RHD)  
M = RENEGADE      T = JEEP - 2WD

BODY  
74 = SPORT UTILITY 4-DR

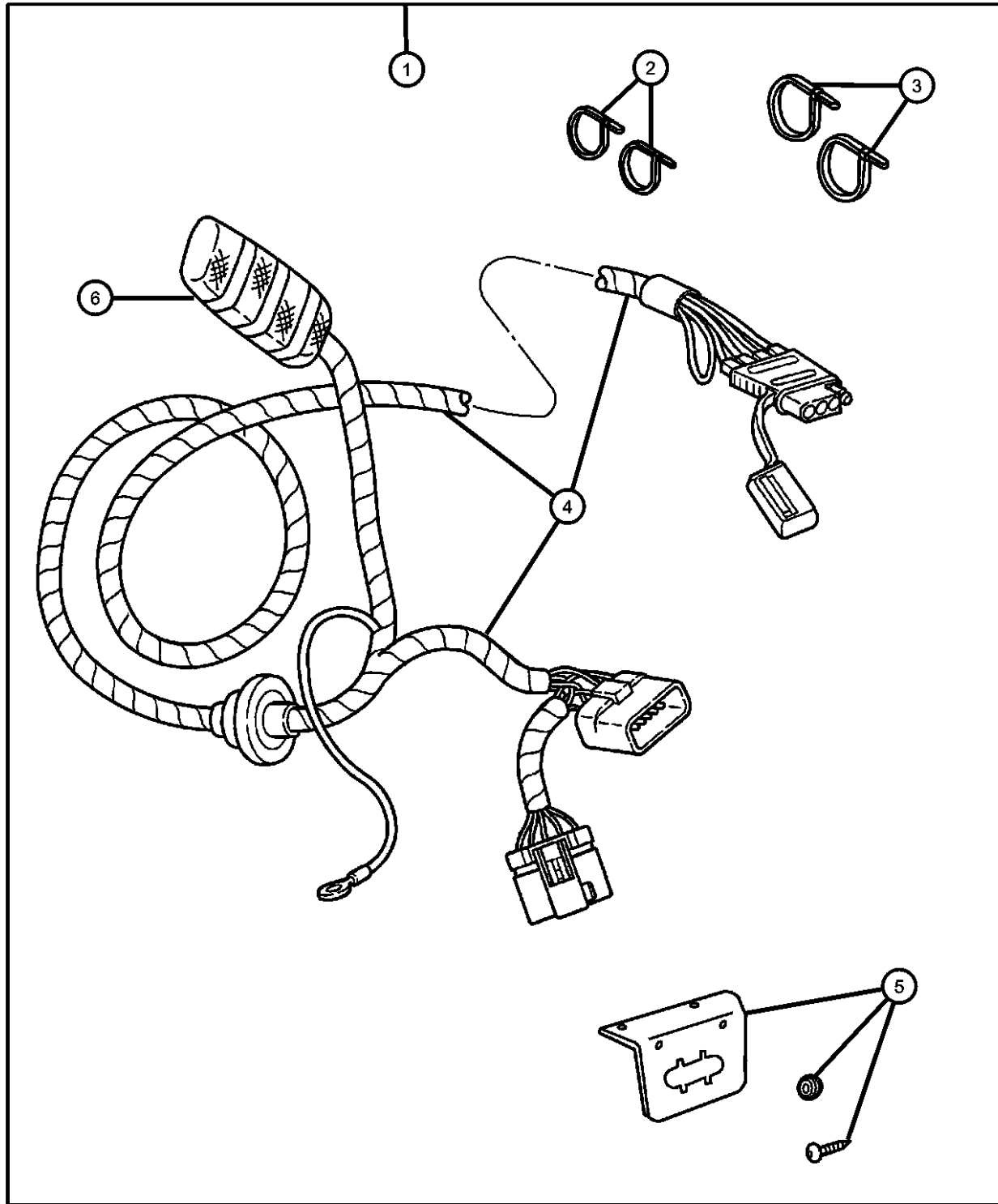
ENGINE  
ED1 = Engine - 2.4L 4 Cyl  
DOHC 16v SMPI  
EKG = Engine - 3.7L V6  
ENR = Engine - 2.8L 4 Cyl  
Turbo Diesel  
ENO = 4CYL turbo diesel

TRANSMISSION  
DGQ = Transmission-5-Spd Automatic  
5-45RFE  
DG6 = Transmission-4-Spd.  
Automatic, 42RLE  
DEH = Transmission-6-Speed Manual,  
NSG370  
DG0 = Transmissions - All Automatic  
DBB = ALL MANUAL  
TRANSMISSIONS

AR = use ase required - = Non illustrated part

2005 KJ

**Wiring Kit - Trailer Tow - 4 Way**  
**Figure 1-260**



ITEM	PART NUMBER	QTY	LINE	SERIES	BODY	ENGINE	TRANS	TRIM	DESCRIPTION
1	82207290	1							WIRING PACKAGE, Trailer Tow
2	05073039AA	1							STRAP, Tie
3	06016155	1							STRAP, Tie
4	06016155	1							WIRING, Trailer Tow - 4 Way, Serviced in Package, (NOT SERVICED)
5	82204602	1							BRACKET KIT, Trailer Tow
6	04671168	1							RELAY, Mini

**LIBERTY (KJ)**

SERIES      LINE  
P = LIMITED      J = JEEP - 4WD  
H = SPORT      U = JEEP - 4WD (RHD)  
M = RENEGADE      T = JEEP - 2WD

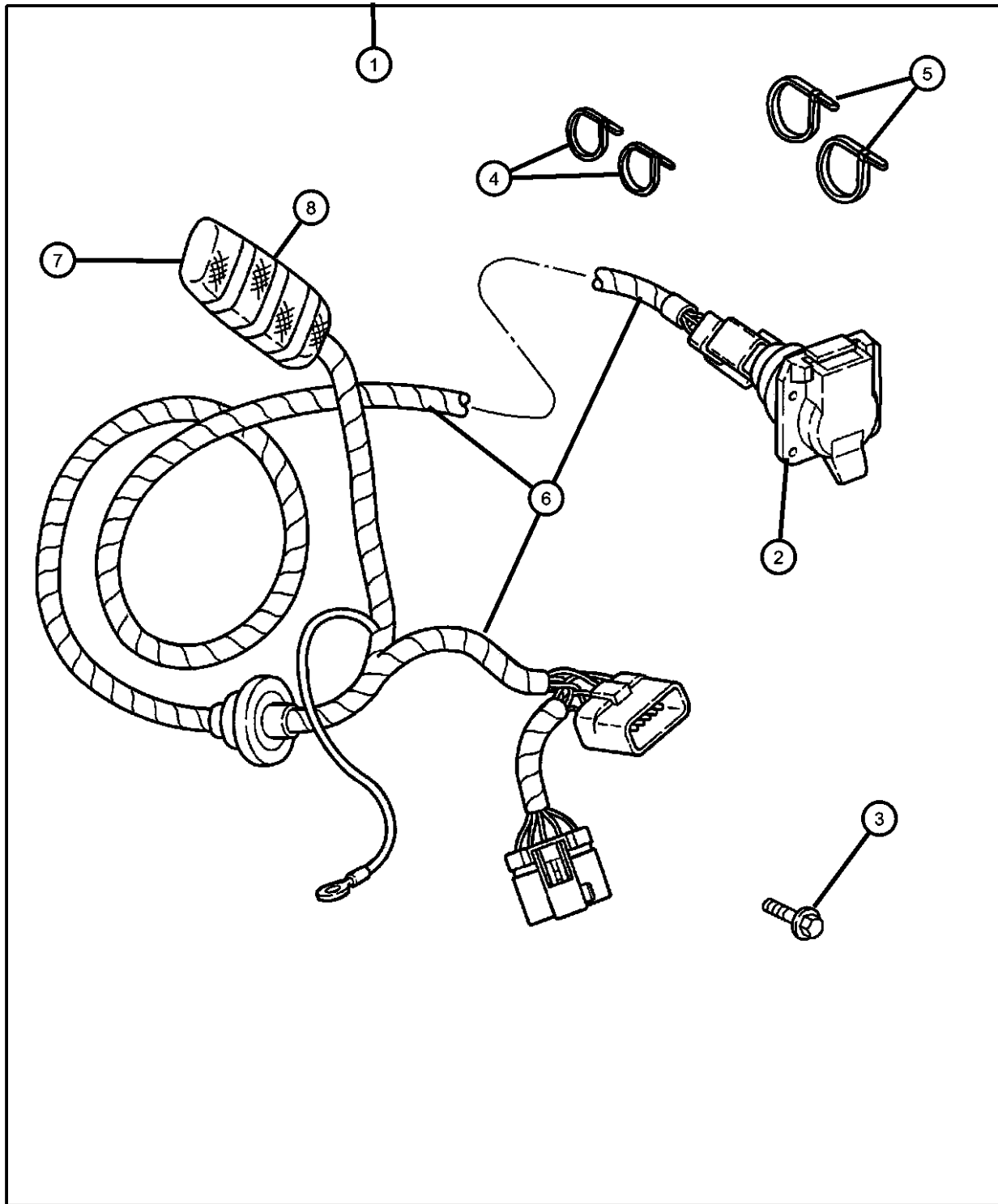
BODY  
74 = SPORT UTILITY 4-DR

ENGINE  
ED1 = Engine - 2.4L 4 Cyl DOHC 16v SMPI  
EKG = Engine - 3.7L V6  
ENR = Engine - 2.8L 4 Cyl Turbo Diesel  
ENO = 4CYL turbo diesel

TRANSMISSION  
DGQ = Transmission-5-Spd Automatic 5-45RFE  
DG6 = Transmission-4-Spd. Automatic, 42RLE  
DEH = Transmission-6-Speed Manual, NSG370  
DG0 = Transmissions - All Automatic  
DBB = ALL MANUAL TRANSMISSIONS

AR = use ase required    - = Non illustrated part

**Wiring Kit - Trailer Tow - 7 Way**  
**Figure 1-265**



ITEM	PART NUMBER	QTY	LINE	SERIES	BODY	ENGINE	TRANS	TRIM	DESCRIPTION
1	82207248	1							WIRING PACKAGE, Trailer Tow
2	56038366AB	1							CONNECTOR, 7 Way
3	00154633	1							SCREW, .164-18x.625
4	05073039AA	1							STRAP, Tie, Package of 50
5	06016155	1							STRAP, Tie
6	06016155	1							WIRING, Trailer Tow, (NOT SERVICED)
7	56007290	1							BREAKER, Circuit
8	04671168	1							RELAY, Mini

**LIBERTY (KJ)**

SERIES	LINE
P = LIMITED	J = JEEP - 4WD
H = SPORT	U = JEEP - 4WD (RHD)
M = RENEGADE	T = JEEP - 2WD

BODY  
 74 = SPORT UTILITY 4-DR

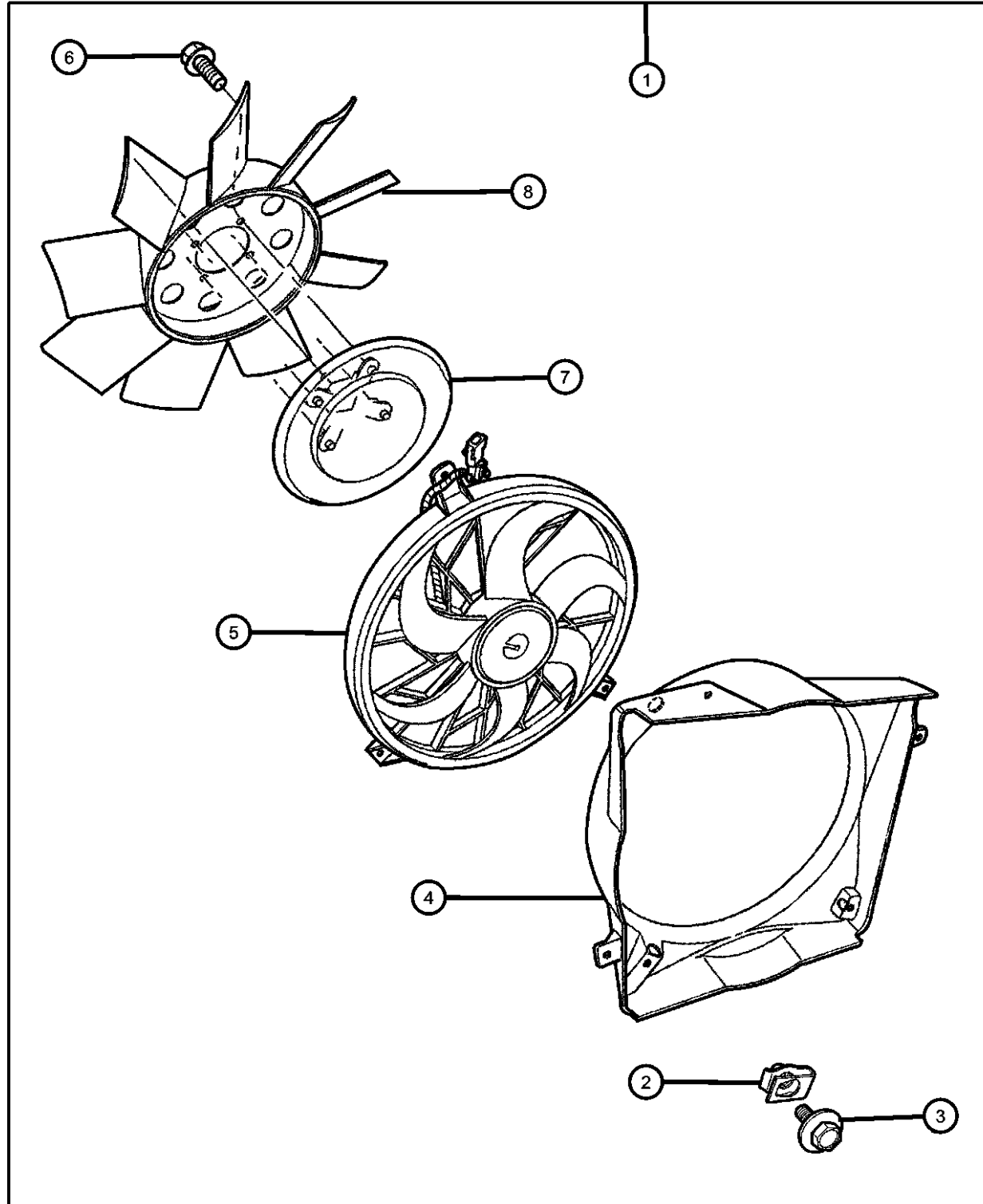
ENGINE  
 ED1 = Engine - 2.4L 4 Cyl DOHC 16v SMPI  
 EKG = Engine - 3.7L V6  
 ENR = Engine - 2.8L 4 Cyl Turbo Diesel  
 ENO = 4CYL turbo diesel

TRANSMISSION  
 DGQ = Transmission-5-Spd Automatic 5-45RFE  
 DG6 = Transmission-4-Spd. Automatic, 42RLE  
 DEH = Transmission-6-Speed Manual, NSG370  
 DG0 = Transmissions - All Automatic  
 DBB = ALL MANUAL TRANSMISSIONS

AR = use ase required - = Non illustrated part

2005 KJ

Fan Kit - Engine  
Figure 1-270



ITEM	PART NUMBER	QTY	LINE	SERIES	BODY	ENGINE	TRANS	TRIM	DESCRIPTION
1	82208909	1			74				FAN KIT, Cooling Heavy Duty
2	06505172AA	1			74				U-NUT, M6x1.00
3	06102117AA	1			74				SCREW AND WASHER, Hex Head, M6x1x20
4	52080127AA	1			74				SHROUD, Fan
5	55037691AA	1			74				FAN, Cooling
6	06034860	1			74				BOLT AND WASHER, Implement Attaching
7	52079718AD	1			74				DRIVE, Fan
8	52079654AD	1			74				FAN, Cooling

LIBERTY (KJ)

SERIES LINE  
P = LIMITED J = JEEP - 4WD  
H = SPORT U = JEEP - 4WD (RHD)  
M = RENEGADE T = JEEP - 2WD

BODY  
74 = SPORT UTILITY 4-DR

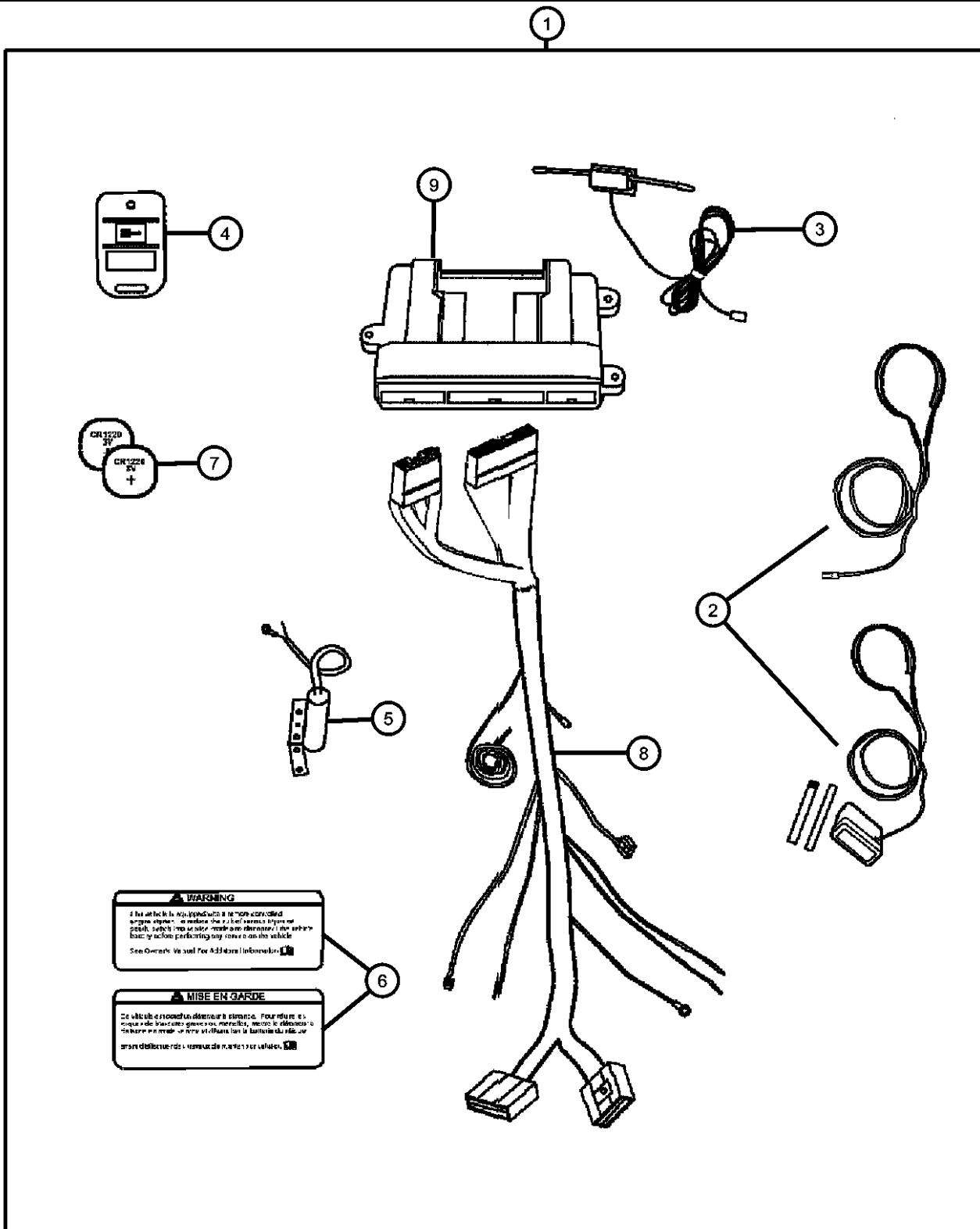
ENGINE  
ED1 = Engine - 2.4L 4 Cyl DOHC 16v SMPI  
EKG = Engine - 3.7L V6  
ENR = Engine - 2.8L 4 Cyl Turbo Diesel  
ENO = 4CYL turbo diesel

TRANSMISSION  
DGQ = Transmission-5-Spd Automatic 5-45RFE  
DG6 = Transmission-4-Spd. Automatic, 42RLE  
DEH = Transmission-6-Speed Manual, NSG370  
DG0 = Transmissions - All Automatic  
DBB = ALL MANUAL TRANSMISSIONS

AR = use ase required - = Non illustrated part

2005 KJ

Remote Start - Installation Kit  
Figure 1-310



ITEM	PART NUMBER	QTY	LINE	SERIES	BODY	ENGINE	TRANS	TRIM	DESCRIPTION
1	82208998	1							INSTALL KIT, REMOTE START
2	05140470AA	1							ANTENNA
3	05140471AA	1							ANTENNA
4	05140472AA	1							TRANSMITTER
5	05140473AA	1							SWITCH
6	05140474AA	1							LABEL
7	05140773AA	1							BATTERY, Transmitter, 12 Per Package
8	05140773AA	1							HARNESS, HARNESS-ENGINE, Serviced in Electrical, (NOT SERVICED)
9	82208859	1							MODULE KIT, REMOTE START

**WARNING**  
 If the vehicle is equipped with a remote-controlled engine system, to ensure the proper operation of the system, always use the remote control system to start the engine. Do not use the ignition key to start the engine. See Owner's Manual for Address Information.

**MISE EN GARDE**  
 Ce véhicule est équipé d'un démarreur à distance. Pour assurer le bon fonctionnement du système, utilisez toujours le système de démarrage à distance pour démarrer le moteur. Ne démarrez pas le moteur avec la clé. Voir le manuel de l'utilisateur pour plus de détails.

LIBERTY (KJ)

SERIES      LINE  
 P = LIMITED      J = JEEP - 4WD  
 H = SPORT      U = JEEP - 4WD (RHD)  
 M = RENEGADE      T = JEEP - 2WD

BODY  
 74 = SPORT UTILITY 4-DR

ENGINE  
 ED1 = Engine - 2.4L 4 Cyl DOHC 16v SMPI  
 EKG = Engine - 3.7L V6  
 ENR = Engine - 2.8L 4 Cyl Turbo Diesel  
 ENO = 4CYL turbo diesel

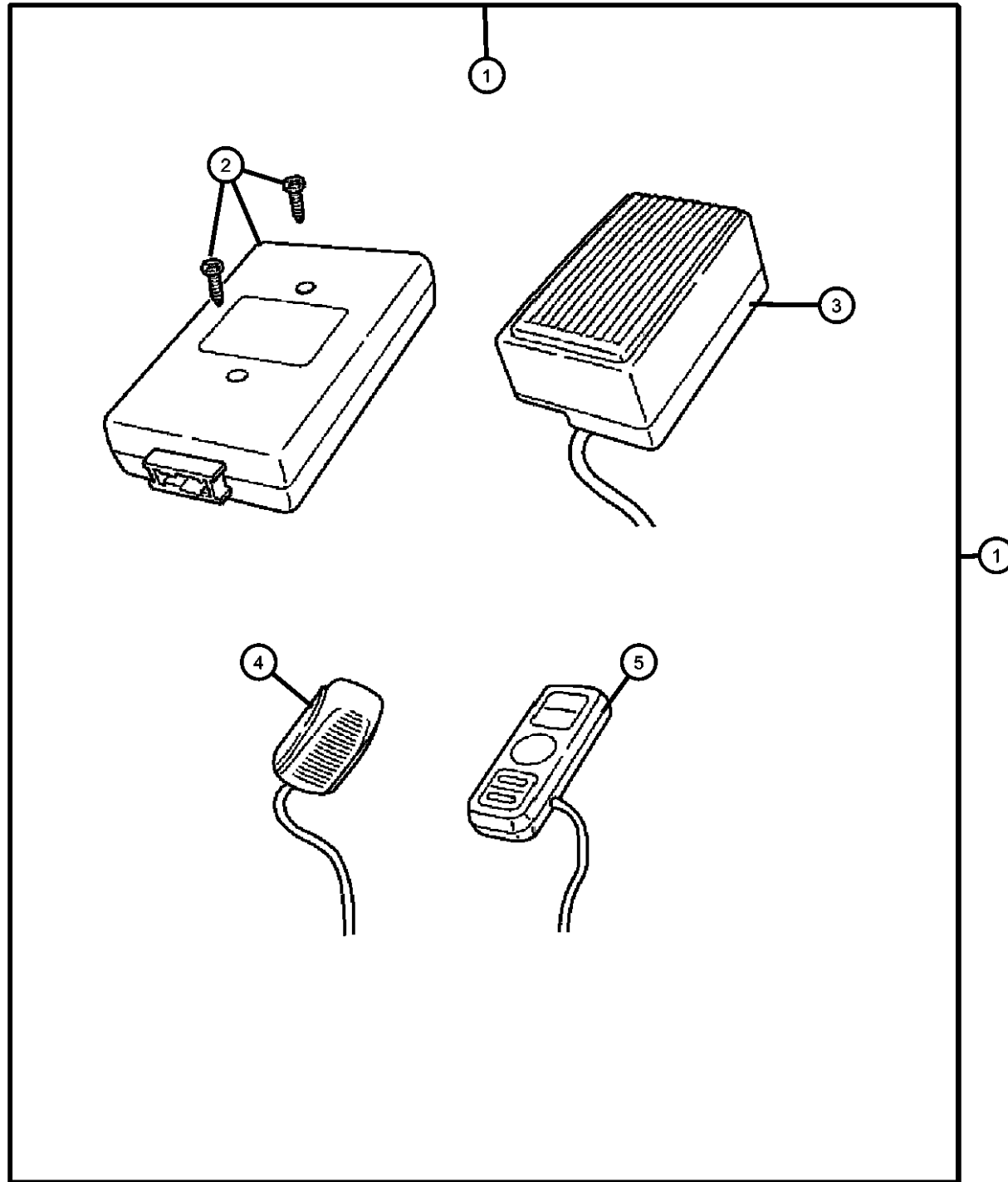
TRANSMISSION  
 DGQ = Transmission-5-Spd Automatic 5-45RFE  
 DG6 = Transmission-4-Spd. Automatic, 42RLE  
 DEH = Transmission-6-Speed Manual, NSG370  
 DG0 = Transmissions - All Automatic  
 DBB = ALL MANUAL TRANSMISSIONS

AR = use ase required - = Non illustrated part

2005 KJ

Hands Free Kit/Cellular Phone Blue Tooth  
Figure 1-320

ITEM	PART NUMBER	QTY	LINE	SERIES	BODY	ENGINE	TRANS	TRIM	DESCRIPTION
------	-------------	-----	------	--------	------	--------	-------	------	-------------



Note: For Warranty Repair On Item 2, Order Using Z Prefix

1	82207853AE	1							HANDS FREE KIT, Cellular Phone
2	05114359AD	1							MODULE, U Connect
3	05102026AA	1							SPEAKER, Front
4	05102025AA	1							MICROPHONE, Audio
5	05102027AA	1							CONTROLLER, Audio

LIBERTY (KJ)

SERIES      LINE  
P = LIMITED      J = JEEP - 4WD  
H = SPORT      U = JEEP - 4WD (RHD)  
M = RENEGADE      T = JEEP - 2WD

BODY  
74 = SPORT UTILITY 4-DR

ENGINE  
ED1 = Engine - 2.4L 4 Cyl  
DOHC 16v SMPI  
EKG = Engine - 3.7L V6  
ENR = Engine - 2.8L 4 Cyl  
Turbo Diesel  
ENO = 4CYL turbo diesel

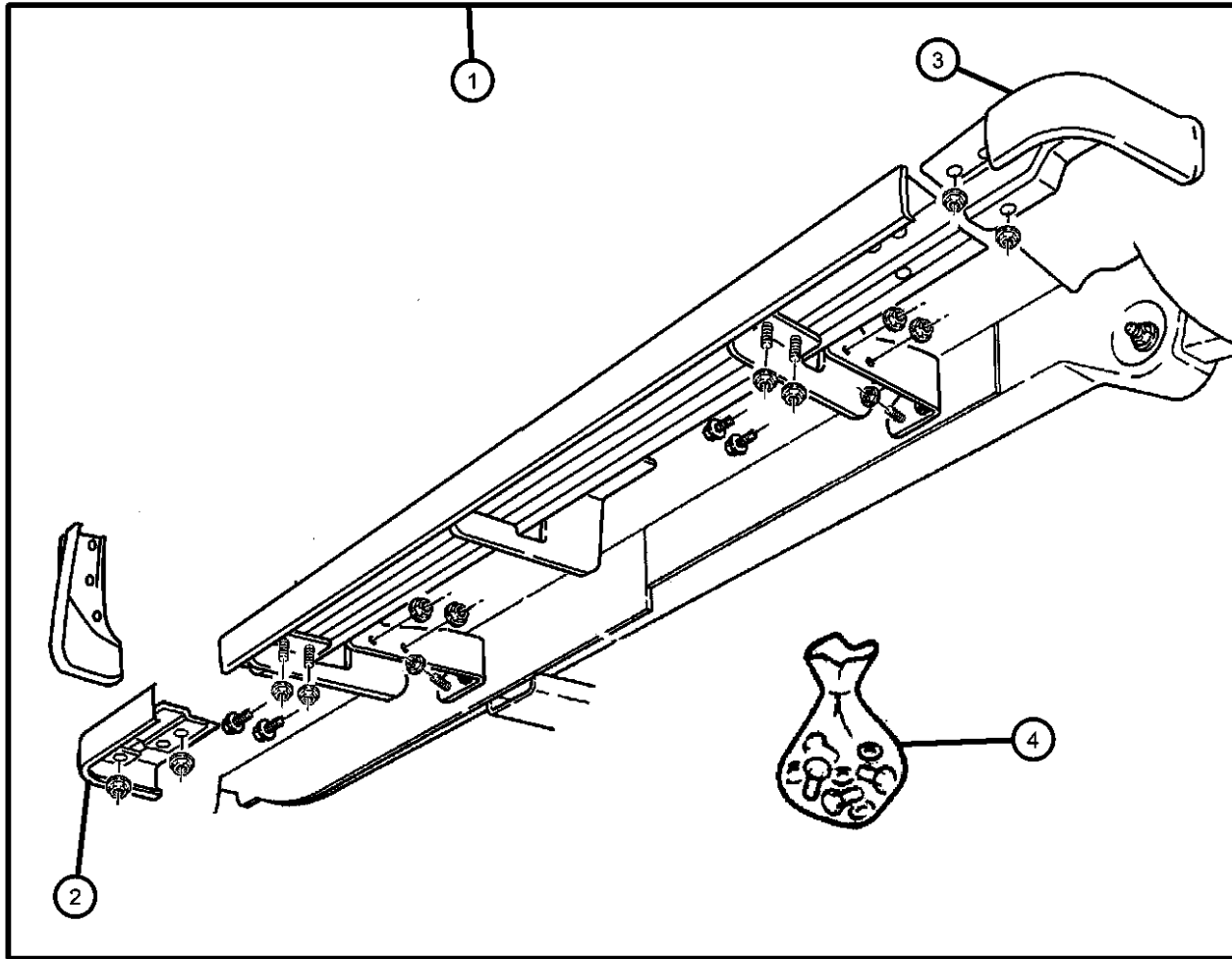
TRANSMISSION  
DGQ = Transmission-5-Spd Automatic  
5-45RFE  
DG6 = Transmission-4-Spd.  
Automatic, 42RLE  
DEH = Transmission-6-Speed Manual,  
NSG370  
DG0 = Transmissions - All Automatic  
DBB = ALL MANUAL  
TRANSMISSIONS

AR = use ase required - = Non illustrated part

2005 KJ

Running Board Kit  
Figure 1-410

ITEM	PART NUMBER	QTY	LINE	SERIES	BODY	ENGINE	TRANS	TRIM	DESCRIPTION
1									RUNNING BOARD KIT, Full
	82207679	1							Primed
	82207680	1							Black [DX8]
	82207681	1			74				Flame Red [PR4]
	82207682	1							Stone White [SW1]
	82207683	1							Patriot Blue [WB7]
	82207685	1							Bright Silver [WS2]
	82207687	1			74				Shale Green [XGR]
	82207690	1							Gray, Matches Cladding
	82209251	1			74				Atlantic Blue
	82209252	1			74				Lt Khaki Metallic
2									END CAP, Running Board, Unpainted
	05086043AA	1							Front Left
	05086045AA	1							Front Right
3									END CAP, Running Board, Unpainted
	05086044AA	1							Left Rear
	05086046AA	1							Right Rear
4	05083937AA	1							SCREW PACKAGE, Screw



LIBERTY (KJ)

SERIES      LINE  
P = LIMITED      J = JEEP - 4WD  
H = SPORT      U = JEEP - 4WD (RHD)  
M = RENEGADE      T = JEEP - 2WD

BODY  
74 = SPORT UTILITY 4-DR

ENGINE  
ED1 = Engine - 2.4L 4 Cyl DOHC 16v SMPI  
EKG = Engine - 3.7L V6  
ENR = Engine - 2.8L 4 Cyl Turbo Diesel  
ENO = 4CYL turbo diesel

TRANSMISSION  
DGQ = Transmission-5-Spd Automatic 5-45RFE  
DG6 = Transmission-4-Spd. Automatic, 42RLE  
DEH = Transmission-6-Speed Manual, NSG370  
DG0 = Transmissions - All Automatic  
DBB = ALL MANUAL TRANSMISSIONS

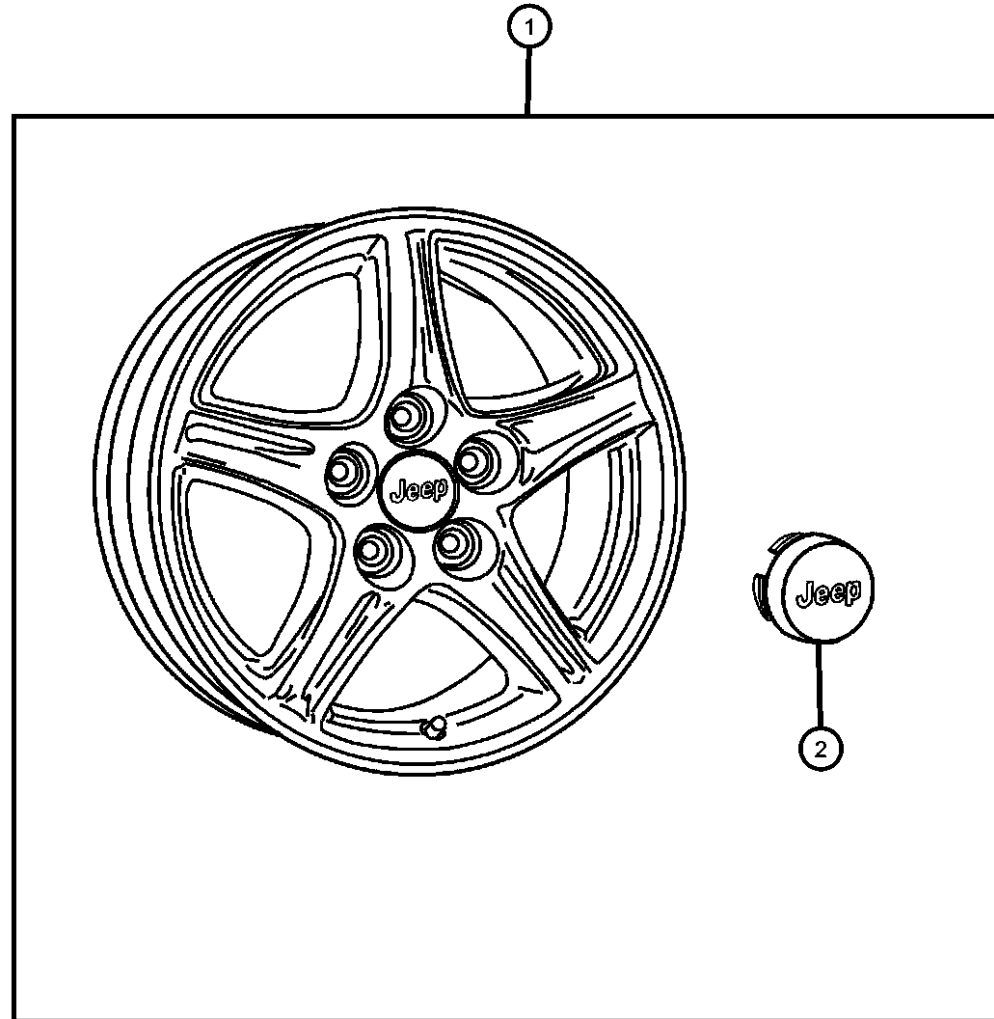
AR = use ase required - = Non illustrated part

2005 KJ



**Wheel Kit  
Figure 1-415**

ITEM	PART NUMBER	QTY	LINE	SERIES	BODY	ENGINE	TRANS	TRIM	DESCRIPTION
Note; Item#1, Contains 1 Wheel and 1 Center Cap									
1									WHEEL KIT, Cast Aluminum
	82205580	1							Polished
	82205899	1			74				Chromed
2	05083064AA	1			74				CAP, Wheel Center



**LIBERTY (KJ)**

SERIES      LINE  
P = LIMITED      J = JEEP - 4WD  
H = SPORT      U = JEEP - 4WD (RHD)  
M = RENEGADE      T = JEEP - 2WD

BODY  
74 = SPORT UTILITY 4-DR

ENGINE  
ED1 = Engine - 2.4L 4 Cyl  
DOHC 16v SMPI  
EKG = Engine - 3.7L V6  
ENR = Engine - 2.8L 4 Cyl  
Turbo Diesel  
ENO = 4CYL turbo diesel

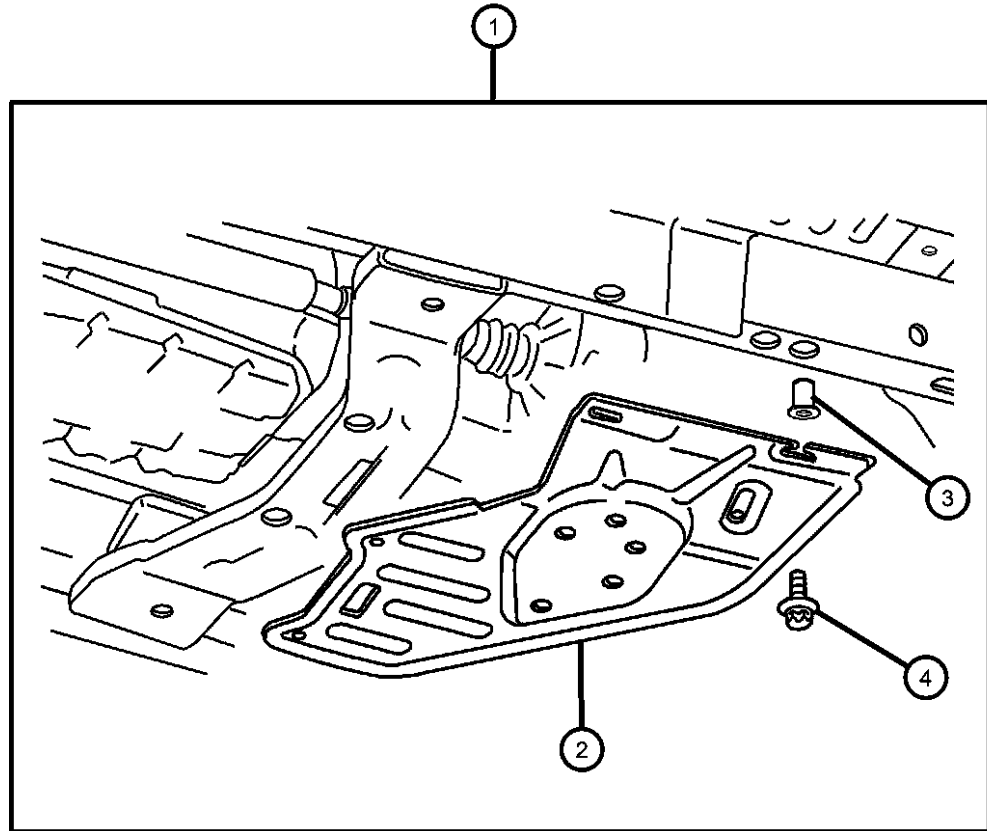
TRANSMISSION  
DGQ = Transmission-5-Spd Automatic  
5-45RFE  
DG6 = Transmission-4-Spd.  
Automatic, 42RLE  
DEH = Transmission-6-Speed Manual,  
NSG370  
DG0 = Transmissions - All Automatic  
DBB = ALL MANUAL  
TRANSMISSIONS

AR = use ase required - = Non illustrated part

2005 KJ

**Skid Plate - Transfer Case**  
**Figure 1-510**

ITEM	PART NUMBER	QTY	LINE	SERIES	BODY	ENGINE	TRANS	TRIM	DESCRIPTION
1	82208421	1			74				PLATE PACKAGE, Skid - Transfer Case
2	52128649AA	1			74				PLATE, Transfer Case Skid
3	06505294AA	1			74				RIVET
4	06503571	1			74				SCREW AND WASHER, M10x1.50x35
-5	05013886AA	1			74				TOOL, Rivnut



**LIBERTY (KJ)**

SERIES      LINE  
P = LIMITED    J = JEEP - 4WD  
H = SPORT      U = JEEP - 4WD (RHD)  
M = RENEGADE   T = JEEP - 2WD

BODY  
74 = SPORT UTILITY 4-DR

ENGINE  
ED1 = Engine - 2.4L 4 Cyl DOHC 16v SMPI  
EKG = Engine - 3.7L V6  
ENR = Engine - 2.8L 4 Cyl Turbo Diesel  
ENO = 4CYL turbo diesel

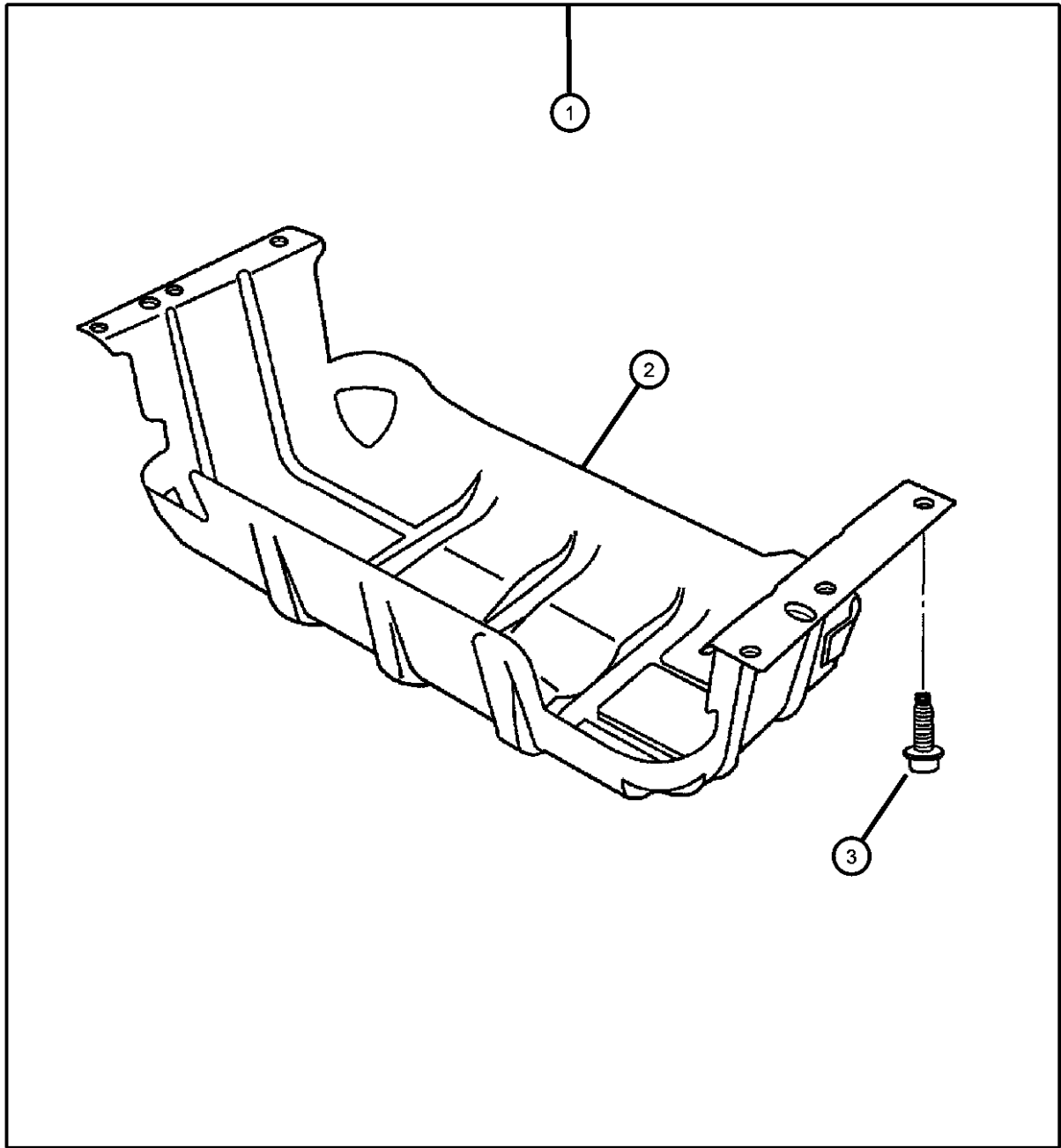
TRANSMISSION  
DGQ = Transmission-5-Spd Automatic 5-45RFE  
DG6 = Transmission-4-Spd. Automatic, 42RLE  
DEH = Transmission-6-Speed Manual, NSG370  
DG0 = Transmissions - All Automatic  
DBB = ALL MANUAL TRANSMISSIONS

AR = use ase required   - = Non illustrated part

2005 KJ

**Skid Plate - Fuel Tank  
Figure 1-515**

ITEM	PART NUMBER	QTY	LINE	SERIES	BODY	ENGINE	TRANS	TRIM	DESCRIPTION
1	82206122	1			74				SKID PLATE PACKAGE, Fuel Tank
2	52100332AG	1							PLATE, Skid
3	06502557	6							BOLT, Hex Flange Head, M12x1.75x40



**LIBERTY (KJ)**

SERIES      LINE  
P = LIMITED      J = JEEP - 4WD  
H = SPORT      U = JEEP - 4WD (RHD)  
M = RENEGADE      T = JEEP - 2WD

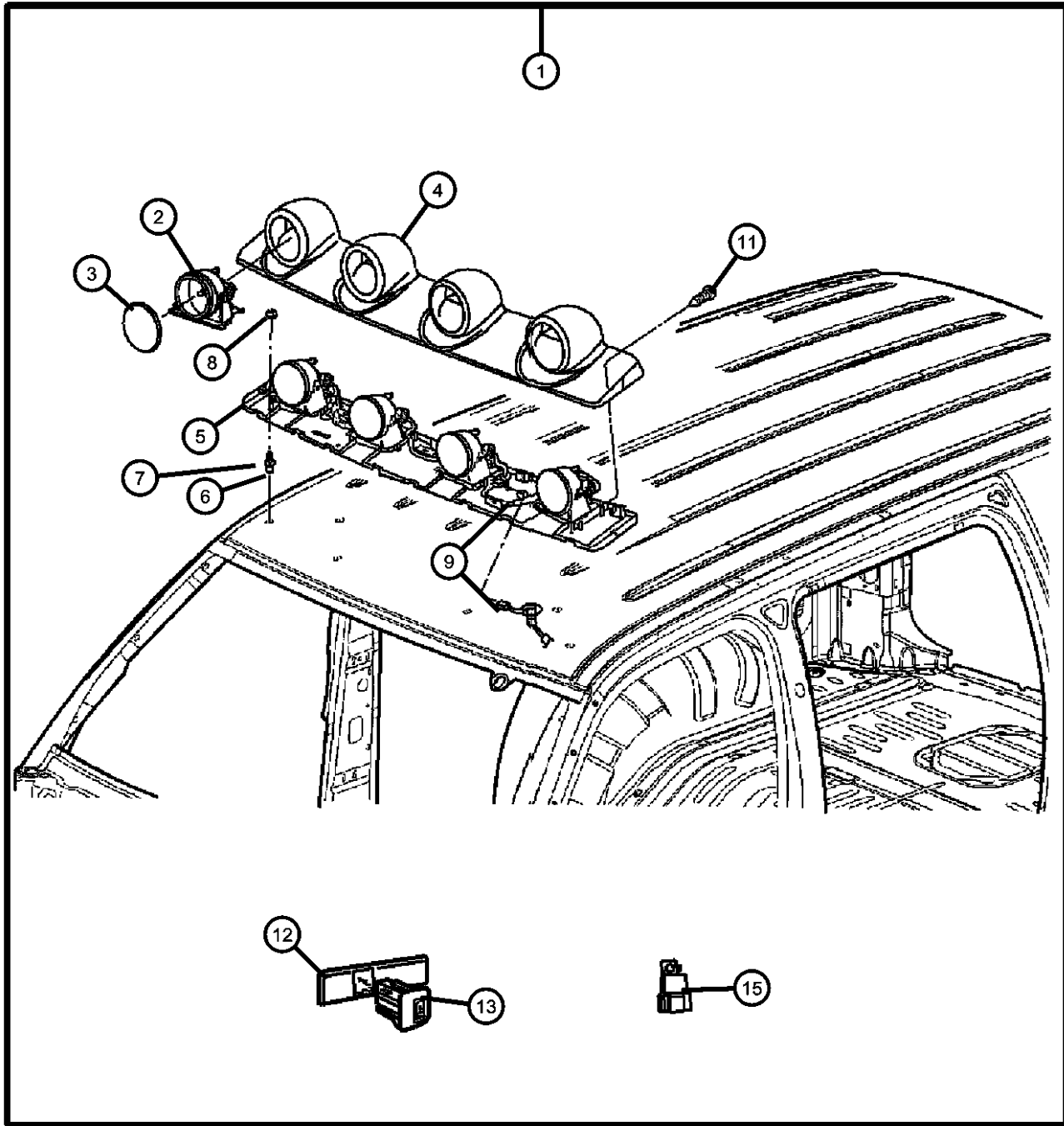
BODY  
74 = SPORT UTILITY 4-DR

ENGINE  
ED1 = Engine - 2.4L 4 Cyl DOHC 16v SMPI  
EKG = Engine - 3.7L V6  
ENR = Engine - 2.8L 4 Cyl Turbo Diesel  
ENO = 4CYL turbo diesel

TRANSMISSION  
DGQ = Transmission-5-Spd Automatic 5-45RFE  
DG6 = Transmission-4-Spd. Automatic, 42RLE  
DEH = Transmission-6-Speed Manual, NSG370  
DG0 = Transmissions - All Automatic  
DBB = ALL MANUAL TRANSMISSIONS

AR = use ase required - = Non illustrated part

Light Bar Roof  
Figure 1-615



ITEM	PART NUMBER	QTY	LINE	SERIES	BODY	ENGINE	TRANS	TRIM	DESCRIPTION
1	82206126	1			74				BAR KIT, Light
2	52112063AC	4							LAMP, Off Road
3	5HZ07RXFAF	1							COVER, Lamp
4	5HZ08RXFAH	1							COVER, Light Bar Support
5	05083967AA	1							BAR, Light Support
6	06503952	1			74				SCREW, Pan Head, M6x1.0x17.00
7	06100876	1			74				WASHER, Flat, M6.82x17.00x1.75
8	06504710	1			74				NUT/RIVET, M6x1.00x13.50
9	56050301AA	1							WIRING, Roof Lamps
-10	05073039AA	1	J, U						STRAP, Tie, Bag of 50
11	06507783AA	4							SCREW, Shoulder
12									BEZEL, Instrument Panel
	5KE16XDHAA	1	J, T						[DH]
	5KE16ZJ8AA	1	J, T						[J8]
13	56010417AC	1							SWITCH, Off Road Lamp
-14	05013886AA	1			74				TOOL, Rivnut
15	05013886AA	1							RELAY, (NOT SERVICED)

LIBERTY (KJ)

SERIES      LINE  
P = LIMITED      J = JEEP - 4WD  
H = SPORT      U = JEEP - 4WD (RHD)  
M = RENEGADE      T = JEEP - 2WD

BODY  
74 = SPORT UTILITY 4-DR

ENGINE  
ED1 = Engine - 2.4L 4 Cyl  
DOHC 16v SMPI  
EKG = Engine - 3.7L V6  
ENR = Engine - 2.8L 4 Cyl  
Turbo Diesel  
ENO = 4CYL turbo diesel

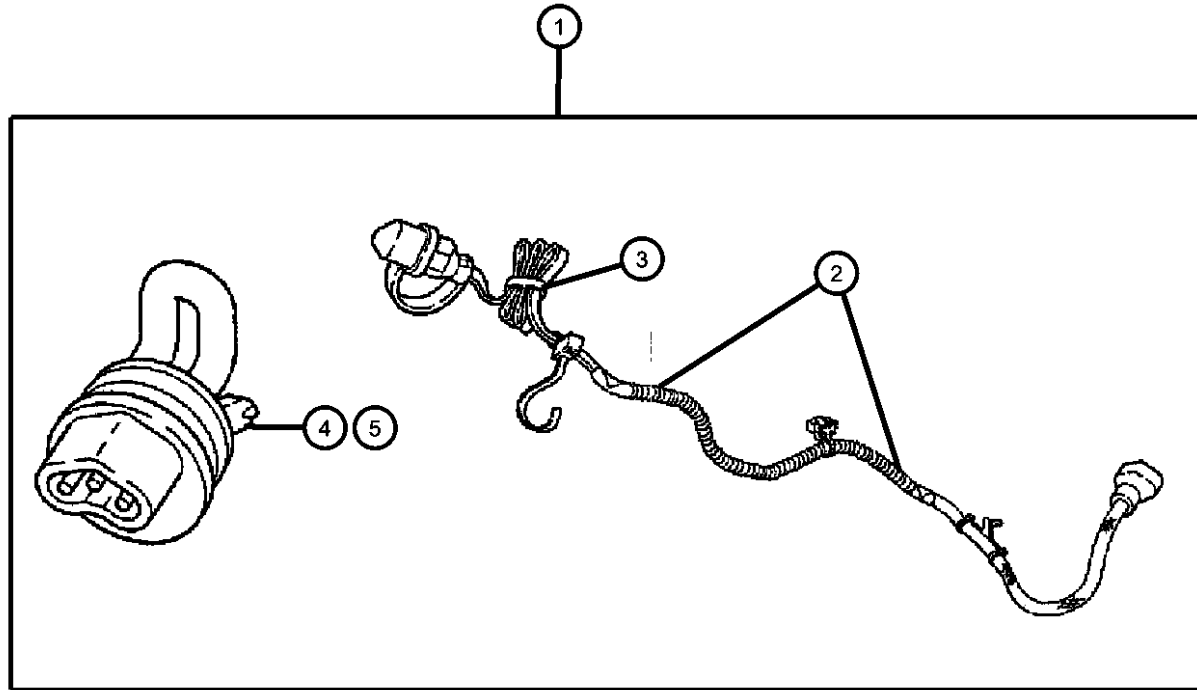
TRANSMISSION  
DGQ = Transmission-5-Spd Automatic  
5-45RFE  
DG6 = Transmission-4-Spd.  
Automatic, 42RLE  
DEH = Transmission-6-Speed Manual,  
NSG370  
DG0 = Transmissions - All Automatic  
DBB = ALL MANUAL  
TRANSMISSIONS

AR = use ase required - = Non illustrated part

2005 KJ

Heater Kit  
Figure 1-620

ITEM	PART NUMBER	QTY	LINE	SERIES	BODY	ENGINE	TRANS	TRIM	DESCRIPTION
1	82207243	1							HEATER KIT, Engine Block 2.4L Engine
	82207244	1							3.7L Engine
2	56041974AA	1							CORD, Engine Block Heater 3.7L Engine
	56044160AA	1							2.4L Engine
3	05073039AA	1	J, T						STRAP, Tie
4	04557686AB	1							HEATER, Engine
5	56041304AB	1							HEATER, Engine



LIBERTY (KJ)

SERIES      LINE  
P = LIMITED      J = JEEP - 4WD  
H = SPORT      U = JEEP - 4WD (RHD)  
M = RENEGADE      T = JEEP - 2WD

BODY  
74 = SPORT UTILITY 4-DR

ENGINE  
ED1 = Engine - 2.4L 4 Cyl  
DOHC 16v SMPI  
EKG = Engine - 3.7L V6  
ENR = Engine - 2.8L 4 Cyl  
Turbo Diesel  
ENO = 4CYL turbo diesel

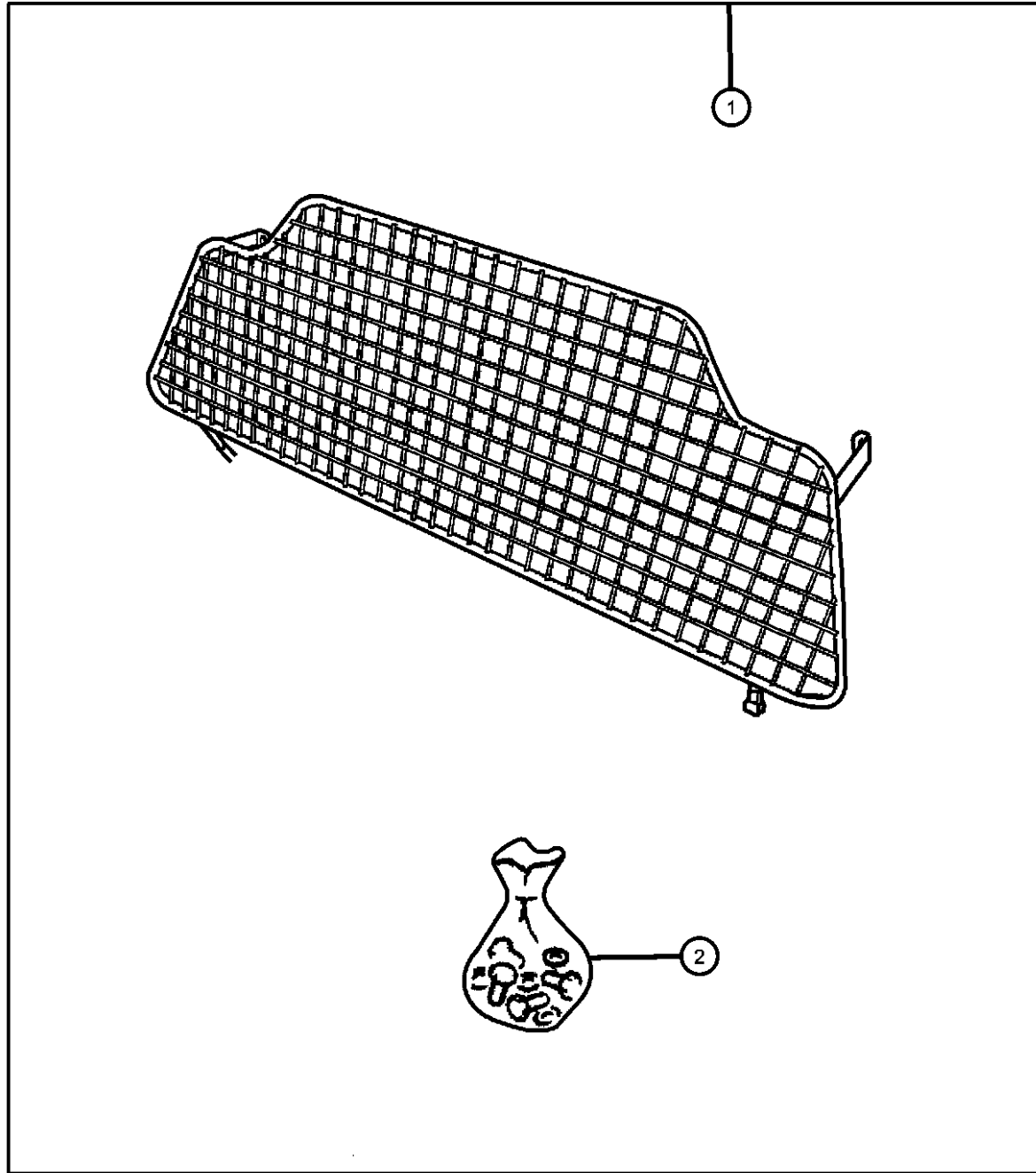
TRANSMISSION  
DGQ = Transmission-5-Spd Automatic  
5-45RFE  
DG6 = Transmission-4-Spd.  
Automatic, 42RLE  
DEH = Transmission-6-Speed Manual,  
NSG370  
DG0 = Transmissions - All Automatic  
DBB = ALL MANUAL  
TRANSMISSIONS

AR = use ase required - = Non illustrated part

2005 KJ

Guard Kit - Dog  
Figure 1-810

ITEM	PART NUMBER	QTY	LINE	SERIES	BODY	ENGINE	TRANS	TRIM	DESCRIPTION
1	82206855	1			74				GUARD KIT, Dog Guard
2	05086022AA	1			74				HARDWARE KIT, Load Partition



LIBERTY (KJ)

SERIES      LINE  
P = LIMITED      J = JEEP - 4WD  
H = SPORT      U = JEEP - 4WD (RHD)  
M = RENEGADE      T = JEEP - 2WD

BODY  
74 = SPORT UTILITY 4-DR

ENGINE  
ED1 = Engine - 2.4L 4 Cyl  
DOHC 16v SMPI  
EKG = Engine - 3.7L V6  
ENR = Engine - 2.8L 4 Cyl  
Turbo Diesel  
ENO = 4CYL turbo diesel

TRANSMISSION  
DGQ = Transmission-5-Spd Automatic  
5-45RFE  
DG6 = Transmission-4-Spd.  
Automatic, 42RLE  
DEH = Transmission-6-Speed Manual,  
NSG370  
DG0 = Transmissions - All Automatic  
DBB = ALL MANUAL  
TRANSMISSIONS

AR = use ase required - = Non illustrated part

2005 KJ

# Group - 2

## Front Suspension & Drive

### Group - 2 Front Suspension & Drive

Illustration Title

Group-Fig. No.

#### Front Suspension

Suspension, Front and Strut ..... Fig. 2 - 110  
 Bar, Front Sway ..... Fig. 2 - 120  
 Cradle, Front Suspension and Attaching Parts ..... Fig. 2 - 130

#### Front Axle Drive Shafts

Axle Shafts, Front ..... Fig. 2 - 210

#### Front Axle Housing

Housing, Axle, Front ..... Fig. 2 - 310

#### Front Axle Assembly

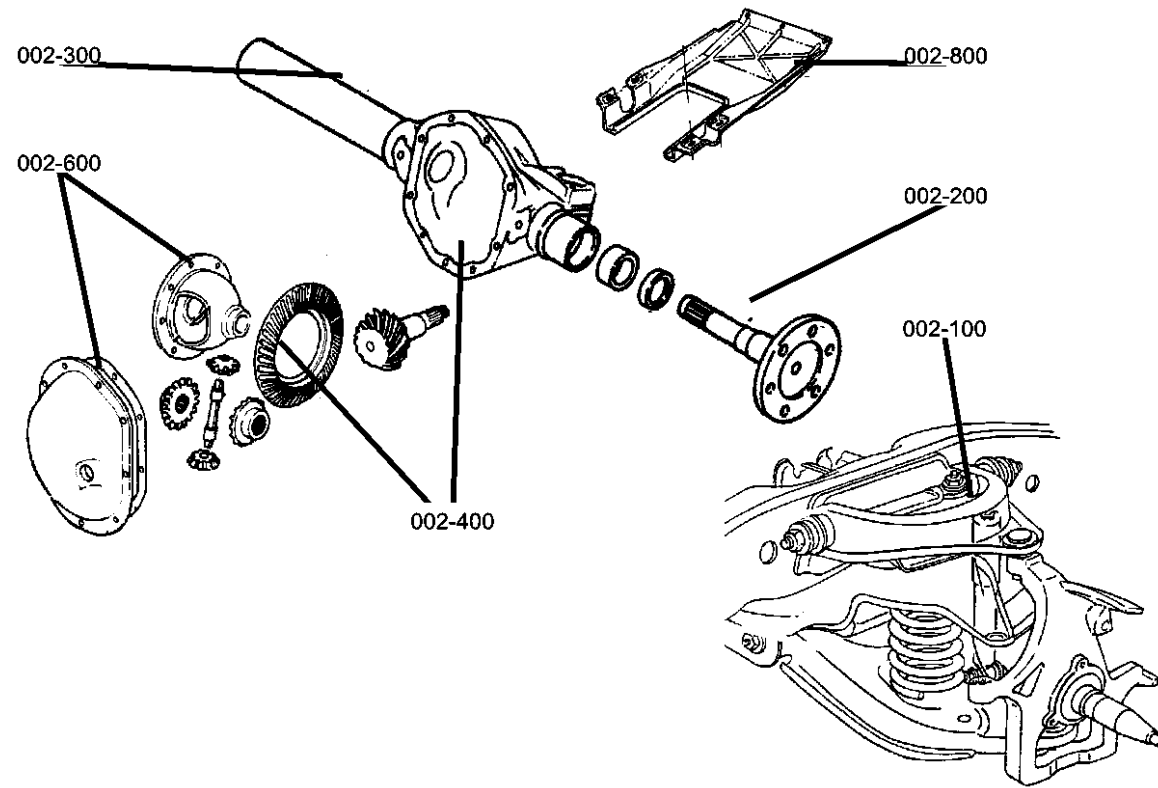
Axle Assembly, Front ..... Fig. 2 - 410

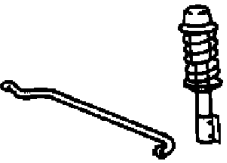
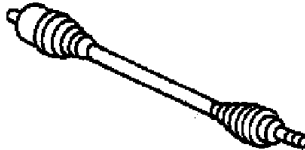
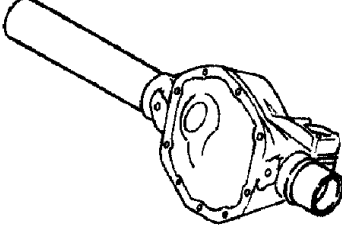
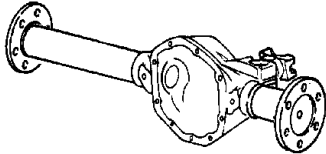
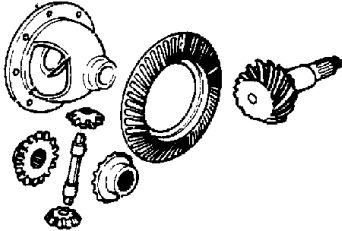
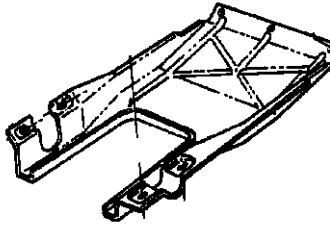
#### Front Axle Differential

Differential, Front Axle ..... Fig. 2 - 610

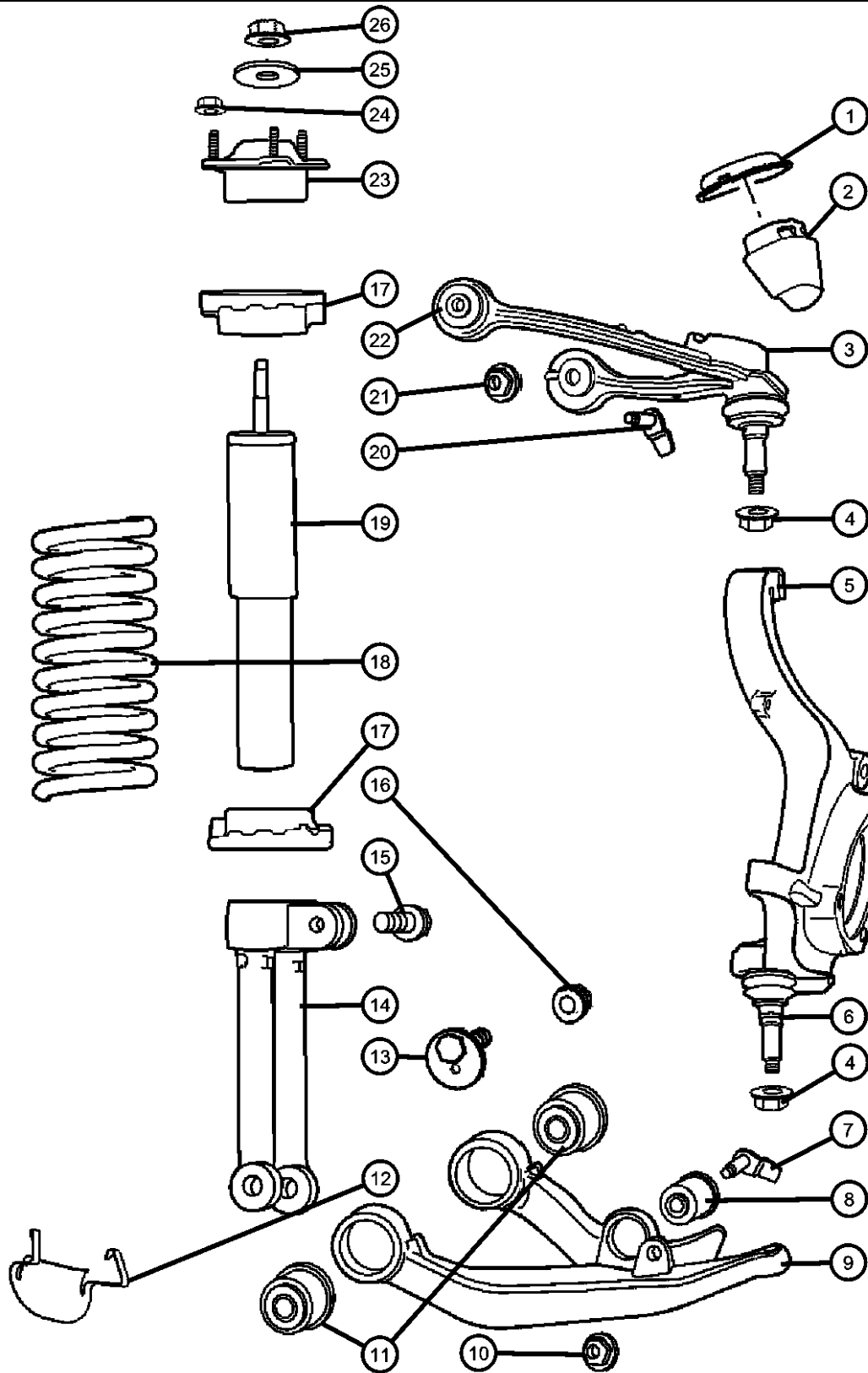
#### Front Axle Skid Plate

Skid Plate, Front Axle ..... Fig. 2 - 810



<p><b>002-100</b> Front Suspension</p> 	<p><b>002-200</b> Front Axle Drive Shafts</p> 	<p><b>002-300</b> Front Axle Housing</p> 	<p><b>002-400</b> Front Axle Assembly</p> 
<p><b>002-600</b> Front Axle Differential</p> 	<p><b>002-800</b> Front Axle Skid Plate</p> 		

Suspension,Front and Strut  
Figure 2-110



ITEM	PART NUMBER	QTY	LINE	SERIES	BODY	ENGINE	TRANS	TRIM	DESCRIPTION
------	-------------	-----	------	--------	------	--------	-------	------	-------------

Note:Sales Codes;  
[ZCC] Through [ZRK] = Spring Sales Codes will Be Found On Vehicle Identification Number [VIN] Sales Code Listing

1	55360201AC	1							CUP, Jounce BumperRight or Left
2	52088684AC	2							BUMPER, JounceRight or Left
3	52088632AC	2							ARM, Control, With Bushings and Balljoint, Right or Left
4									NUT AND WASHER
	06505623AA	2							UCA to Knuckle, Mounting
									Lower Ball Joint to LCA, Mounting
5									KNUCKLE, Front
	52088652AD	1							Without Lower Ball Joint, Right
	52088653AD	1							Without Lower Ball Joint, Left
6	05114037AC	1							BALL JOINT PACKAGE, Lower Control ArmRight or Left
7	06507275AA	2							BOLT AND RETAINER, Hex Head, Shock Clevis to LCA, Mounting
8	52088746AA	1							BUSHING, Pivot, Shock Clevis
9									ARM, Lower Control, Front
	52088636AF	1							With 3 Bushings, Right
	52088637AF	1							With 3 Bushings, Left
10	06102251AA	2							NUT, M14X2, Shock Clevis to LCA, Mounting
11	52088649AC	2							BUSHING, Pivot
12	52128983AA	2							SHIELD, Heat, Lower Ball Joint, Right or Left
13	06507912AA	4							SCREW AND WASHER, Hex Head, LCA to Cradle Cam Bolt, Mounting
14	52088748AC	1							CLEVIS, Front, Shock
15	06507325AA	1							SCREW, Hex Flange Head, Clevis Pinch
16	06102252AA	4							NUT, Hex Flange Lock, LCA to Cradle, Mounting
17	52088686AA	2							ISOLATOR, Spring, Upper or Lower
18									SPRING, Front Coil
	52128873AA	1							[ZCC,ZRC]

LIBERTY (KJ)

SERIES LINE  
P = LIMITED J = JEEP - 4WD  
H = SPORT U = JEEP - 4WD (RHD)  
M = RENEGADE T = JEEP - 2WD

BODY  
74 = SPORT UTILITY 4-DR

ENGINE  
ED1 = Engine - 2.4L 4 Cyl DOHC 16v SMPI  
EKG = Engine - 3.7L V6  
ENR = Engine - 2.8L 4 Cyl Turbo Diesel  
ENO = 4CYL turbo diesel

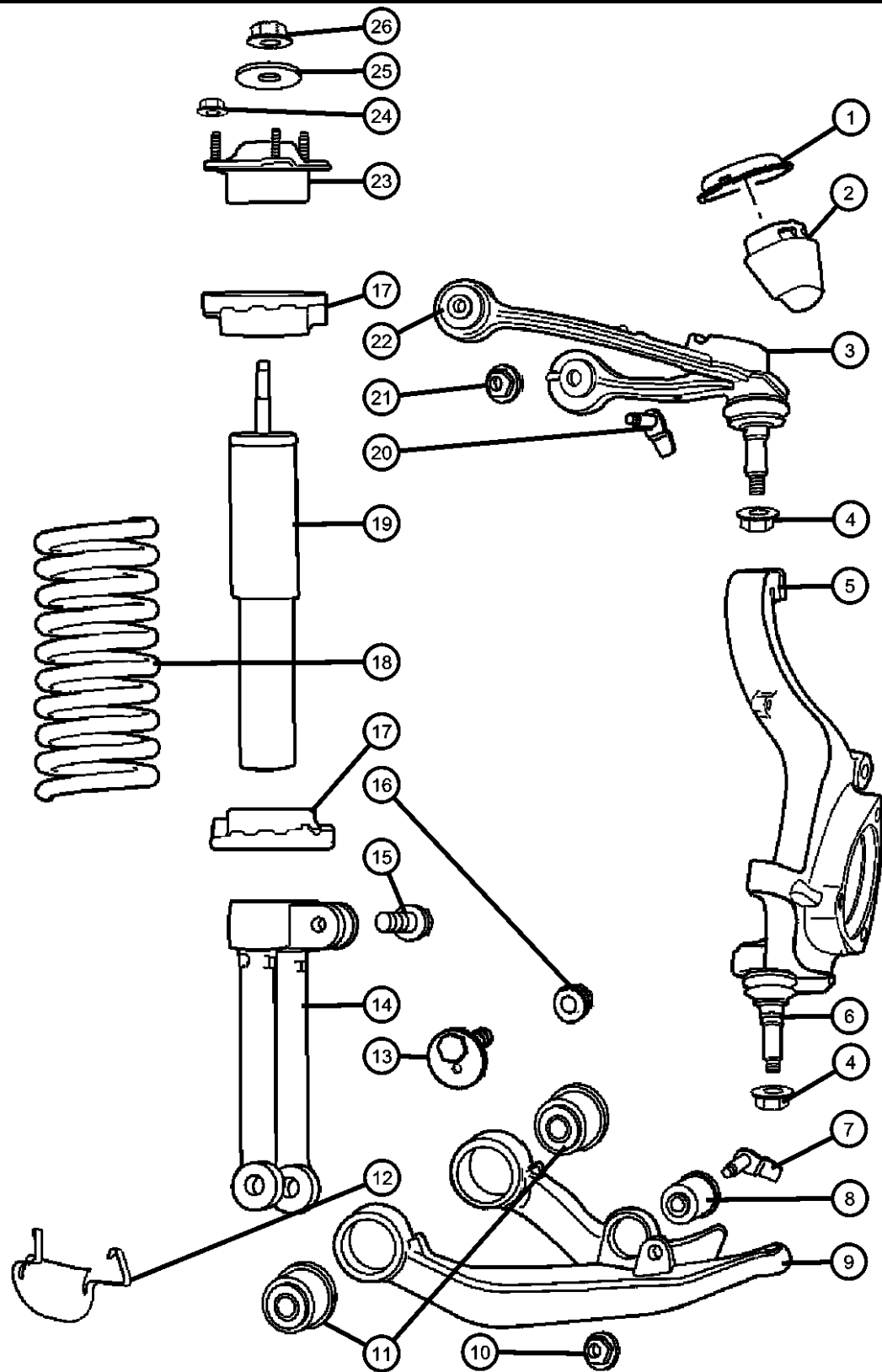
TRANSMISSION  
DGQ = Transmission-5-Spd Automatic 5-45RFE  
DG6 = Transmission-4-Spd. Automatic, 42RLE  
DEH = Transmission-6-Speed Manual, NSG370  
DG0 = Transmissions - All Automatic  
DBB = ALL MANUAL TRANSMISSIONS

AR = use ase required - = Non illustrated part

2005 KJ



Suspension,Front and Strut  
Figure 2-110



ITEM	PART NUMBER	QTY	LINE	SERIES	BODY	ENGINE	TRANS	TRIM	DESCRIPTION
	52128874AA	1							[ZCD,ZRD]
	52128875AA	1							[ZCE,ZRE]
	52128876AA	1							[ZCF,ZRF]
	52128877AA	1							[ZCG,ZRG]
	52128878AA	1							[ZCH,ZRH]
	52128879AA	1							[ZCJ,ZRJ]
	52128880AA	1							[ZCK,ZRK]
19	52088650AF	1							SHOCK ABSORBER, Suspension, Front
	0SG81577								Mopar V-Line Alternative Part
20	06507965AA	4							BOLT AND RETAINER, Hex Head, UCA, Mounting
21	06502697	4							NUT, Hex Flange Lock, M12x1.75, UCA, Mounting
22	52088634AB	4							BUSHING, Control ArmUpper
23									MOUNT, Shock Upper
	52128532AA	1							Right
	52128533AA	1							Left
24	06502697	8							NUT, Hex Flange Lock, M12x1.75, Shock Mount to Body, Mounting
25	52089069AA	1							RETAINER, Shock Absorber, Shock, Mounting
26	06506443AA	1							NUT, Nylock Hex, M10x1.5, Shock, Mounting

**LIBERTY (KJ)**  
 SERIES            LINE  
 P = LIMITED    J = JEEP - 4WD  
 H = SPORT      U = JEEP - 4WD (RHD)  
 M = RENEGADE T = JEEP - 2WD

**BODY**  
 74 = SPORT UTILITY 4-DR

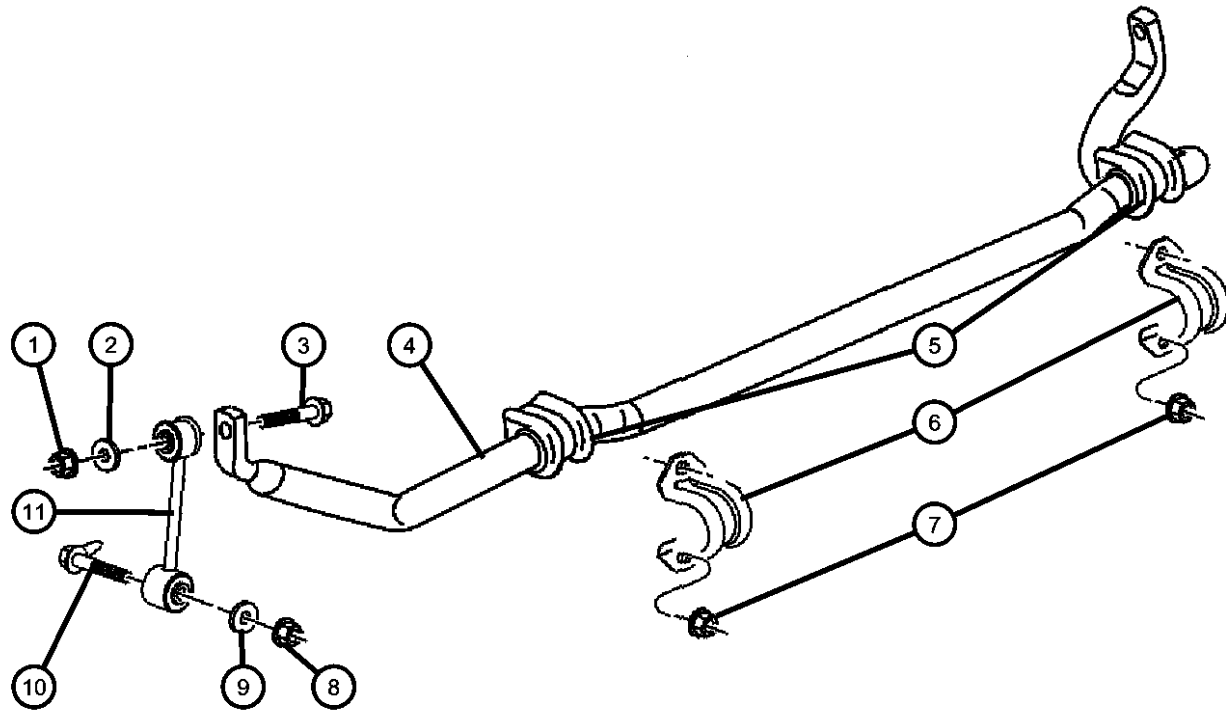
**ENGINE**  
 ED1 = Engine - 2.4L 4 Cyl DOHC 16v SMPI  
 EKG = Engine - 3.7L V6  
 ENR = Engine - 2.8L 4 Cyl Turbo Diesel  
 ENO = 4CYL turbo diesel

**TRANSMISSION**  
 DGQ = Transmission-5-Spd Automatic 5-45RFE  
 DG6 = Transmission-4-Spd. Automatic, 42RLE  
 DEH = Transmission-6-Speed Manual, NSG370  
 DG0 = Transmissions - All Automatic  
 DBB = ALL MANUAL TRANSMISSIONS

AR = use ase required - = Non illustrated part

Bar,Front Sway  
Figure 2-120

ITEM	PART NUMBER	QTY	LINE	SERIES	BODY	ENGINE	TRANS	TRIM	DESCRIPTION
1	06502697	2							NUT, Hex Flange Lock, M12x1.75, Sway Bar Link to Sway Bar
2	06504558	2							WASHER, ID=13.07 x OD=40.00 x THK=3.50 Sway Bar Link to Sway Bar, Link to Sway Bar, Mounting
3	06503712	2							SCREW, Sway Bar Link to Sway Bar, Mounting
4	52088660AA	1							BAR, Front Sway
5	52088778AB	2							CUSHION, Sway Eliminator
6	52088631AA	2							RETAINER, Stabilizer Bar Grommet
7	06502697	4							NUT, Hex Flange Lock, M12x1.75, Sway Bar Clamp to Cradle, Mounting
8	06502697	2							NUT, Hex Flange Lock, M12x1.75, Sway Bar Link to LCA, Mounting
9	06504558	2							WASHER, ID=13.07 x OD=40.00 x THK=3.50 Sway Bar Link to Lower Control Arm, Link to LCA, Mounting
10	06506984AA	2							BOLT AND RETAINER, Hex Head, Sway Bar Link to LCA, Mounting
11	52088662AB	2							LINK, Sway Eliminator



LIBERTY (KJ)

SERIES LINE  
P = LIMITED J = JEEP - 4WD  
H = SPORT U = JEEP - 4WD (RHD)  
M = RENEGADE T = JEEP - 2WD

BODY  
74 = SPORT UTILITY 4-DR

ENGINE  
ED1 = Engine - 2.4L 4 Cyl DOHC 16v SMPI  
EKG = Engine - 3.7L V6  
ENR = Engine - 2.8L 4 Cyl Turbo Diesel  
ENO = 4CYL turbo diesel

TRANSMISSION  
DGQ = Transmission-5-Spd Automatic 5-45RFE  
DG6 = Transmission-4-Spd. Automatic, 42RLE  
DEH = Transmission-6-Speed Manual, NSG370  
DG0 = Transmissions - All Automatic  
DBB = ALL MANUAL TRANSMISSIONS

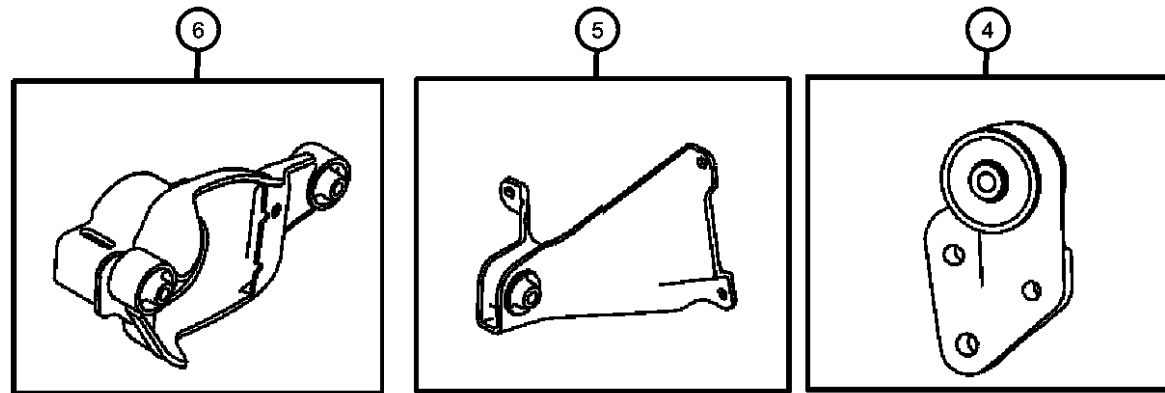
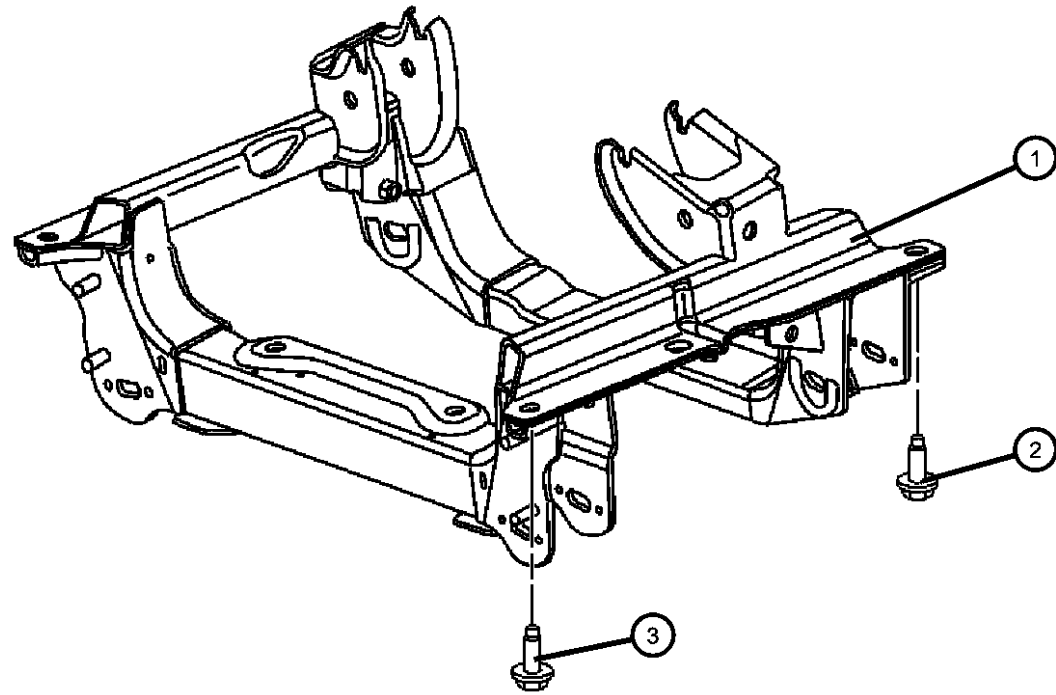
AR = use ase required - = Non illustrated part

2005 KJ

**Cradle,Front Suspension and Attaching Parts  
Figure 2-130**

ITEM	PART NUMBER	QTY	LINE	SERIES	BODY	ENGINE	TRANS	TRIM	DESCRIPTION
------	-------------	-----	------	--------	------	--------	-------	------	-------------

Note:Sales Codes;  
 [ED0]=Engines - All 2.2, 2.5, 2.4L 4 Cylinder Gas  
 [EK0]=Engines - All 3.7L 6 Cylinder Gas  
 [EN0]=Engines - All 4/5 Cylinder Turbo Diesel



1	52128994AC	1							CRADLE, Front Suspension [EK0]
	52128995AC	1							[ED0]
	52129013AC	1	J, U						[EN0]
2	06506672AA	2							SCREW AND WASHER, Hex, Cradle to Sill-Front, Mounting
3	06507135AA	2							SCREW, Cradle to Sill-Rear, Mounting
4	52059467AD	1	J, U						BRACKET, Mounting [EK0], Left Rear
	52059475AD	1	J, U						[ED0,EN0], Left Rear
5	52059465AD	1	J, U						BRACKET, Mounting [EK0], Left
	52059475AD	1	J, U						[ED0,EN0], Left
6	52059464AC	1	J, U						BRACKET, Mounting [EK0]
	52059472AC	1	J, U						[ED0,EN0], Right
-7	06506067AA	2	J						BOLT Right Front Bracket to Axle, Mounting
		4	J						Axle Assembly to Cradle, Mounting
		2	U						Right Front Bracket to Axle, Mounting
		4	U						Axle Assembly to Cradle, Mounting
-8	06502697	4	U						NUT, Hex Flange Lock, M12x1.75 Axle Assembly to Cradle and Right Bracket, Mounting
		4	J						Axle Assembly to Cradle and Right Bracket, Mounting
-9	06101985	3	J						SCREW AND WASHER, M10x1.50x45.00 Left Front and Left Rear Bracket to Axle, Mounting

**LIBERTY (KJ)**

SERIES      LINE  
 P = LIMITED      J = JEEP - 4WD  
 H = SPORT      U = JEEP - 4WD (RHD)  
 M = RENEGADE      T = JEEP - 2WD

BODY  
 74 = SPORT UTILITY 4-DR

ENGINE  
 ED1 = Engine - 2.4L 4 Cyl  
 DOHC 16v SMPI  
 EKG = Engine - 3.7L V6  
 ENR = Engine - 2.8L 4 Cyl  
 Turbo Diesel  
 ENO = 4CYL turbo diesel

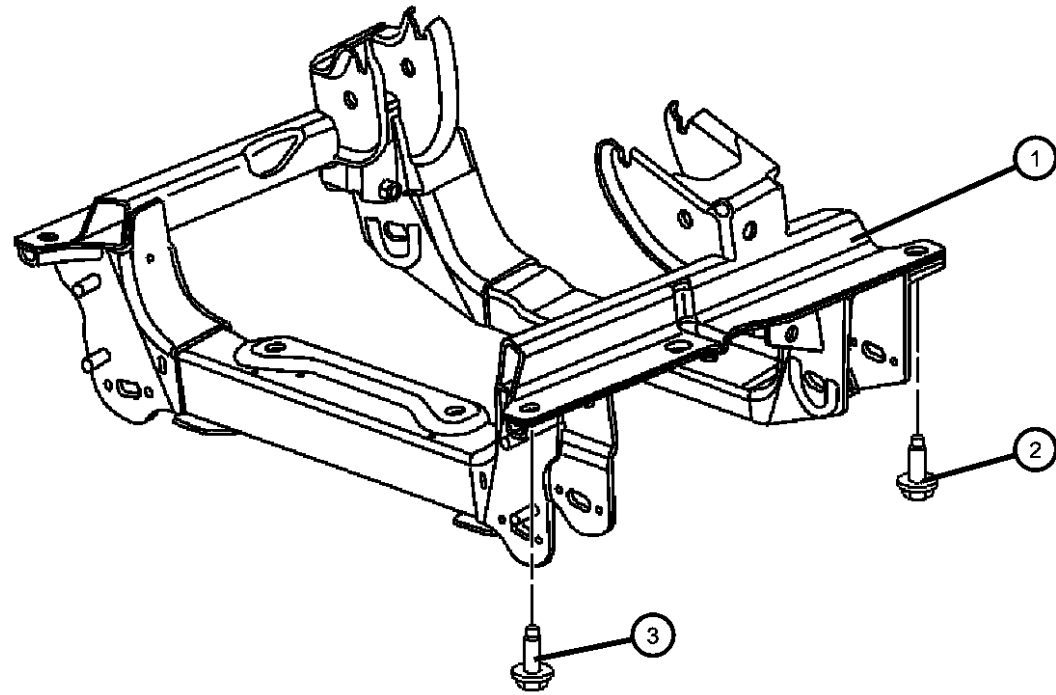
TRANSMISSION  
 DGQ = Transmission-5-Spd Automatic  
 5-45RFE  
 DG6 = Transmission-4-Spd.  
 Automatic, 42RLE  
 DEH = Transmission-6-Speed Manual,  
 NSG370  
 DG0 = Transmissions - All Automatic  
 DBB = ALL MANUAL  
 TRANSMISSIONS

AR = use ase required - = Non illustrated part

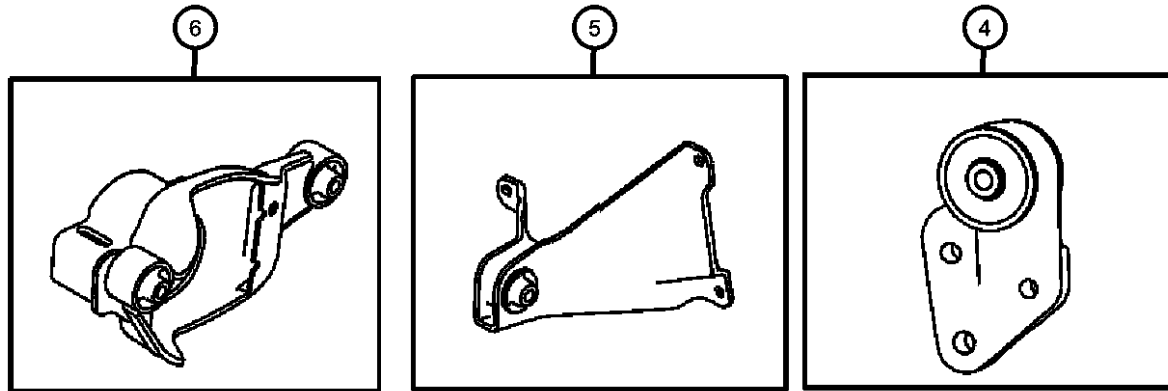
2005 KJ

**Cradle,Front Suspension and Attaching Parts**  
**Figure 2-130**

ITEM	PART NUMBER	QTY	LINE	SERIES	BODY	ENGINE	TRANS	TRIM	DESCRIPTION
------	-------------	-----	------	--------	------	--------	-------	------	-------------



		3	U						Left Front and Left Rear Bracket to Axle, Mounting NUT, Hex Flange Lock, M14x1.50
-10	06502696	3	J						Left Front Bracket to Axle, Mounting
		3	U						Left Front Bracket to Axle, Mounting



**LIBERTY (KJ)**

SERIES      LINE  
P = LIMITED      J = JEEP - 4WD  
H = SPORT      U = JEEP - 4WD (RHD)  
M = RENEGADE      T = JEEP - 2WD

BODY  
74 = SPORT UTILITY 4-DR

ENGINE  
ED1 = Engine - 2.4L 4 Cyl DOHC 16v SMPI  
EKG = Engine - 3.7L V6  
ENR = Engine - 2.8L 4 Cyl Turbo Diesel  
ENO = 4CYL turbo diesel

TRANSMISSION  
DGQ = Transmission-5-Spd Automatic 5-45RFE  
DG6 = Transmission-4-Spd. Automatic, 42RLE  
DEH = Transmission-6-Speed Manual, NSG370  
DG0 = Transmissions - All Automatic  
DBB = ALL MANUAL TRANSMISSIONS

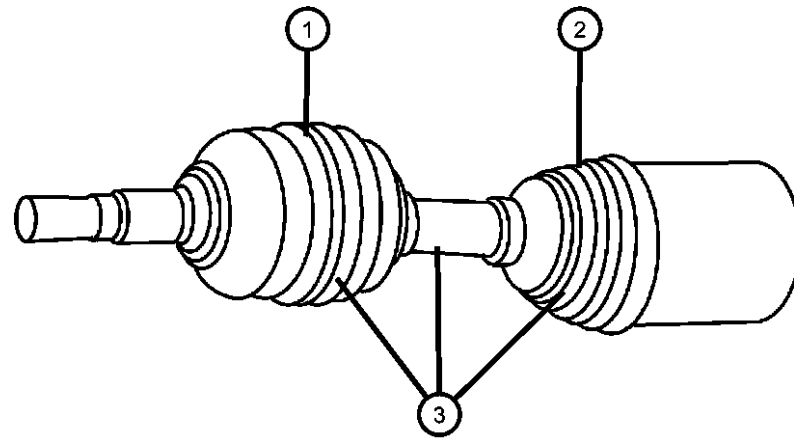
AR = use ase required    - = Non illustrated part

2005 KJ

**Axle Shafts,Front  
Figure 2-210**

ITEM	PART NUMBER	QTY	LINE	SERIES	BODY	ENGINE	TRANS	TRIM	DESCRIPTION
------	-------------	-----	------	--------	------	--------	-------	------	-------------

Note:Sales Codes;  
 [ED0]=Engines - All 2.2, 2.5, 2.4L 4 Cylinder Gas  
 [EK0]=Engines - All 3.7L 6 Cylinder Gas  
 [EN0]=Engines - All 4/5 Cylinder Turbo Diesel



1									BOOT KIT, Half Shaft, Outer Right or Left
	05066025AB	1	J						Right or Left
		1	U						Right or Left
2									BOOT KIT, Half Shaft, Inner Right or Left
	05066024AA	1	J						Right or Left
		1	U						Right or Left
3									SHAFT, Axle Half
	05066020AA	1	J						[EK0], Right
		1	U						[EK0], Right
	05066021AA	1	J						[EK0], Left
		1	U						[EK0], Left
	05066022AA	1	J						[ED0,EN0], Right
		1	U						[ED0,EN0], Right
	05066023AA	1	J						[ED0,EN0], Left
		1	U						[ED0,EN0], Left

**LIBERTY (KJ)**

SERIES      LINE  
 P = LIMITED      J = JEEP - 4WD  
 H = SPORT      U = JEEP - 4WD (RHD)  
 M = RENEGADE      T = JEEP - 2WD

BODY  
 74 = SPORT UTILITY 4-DR

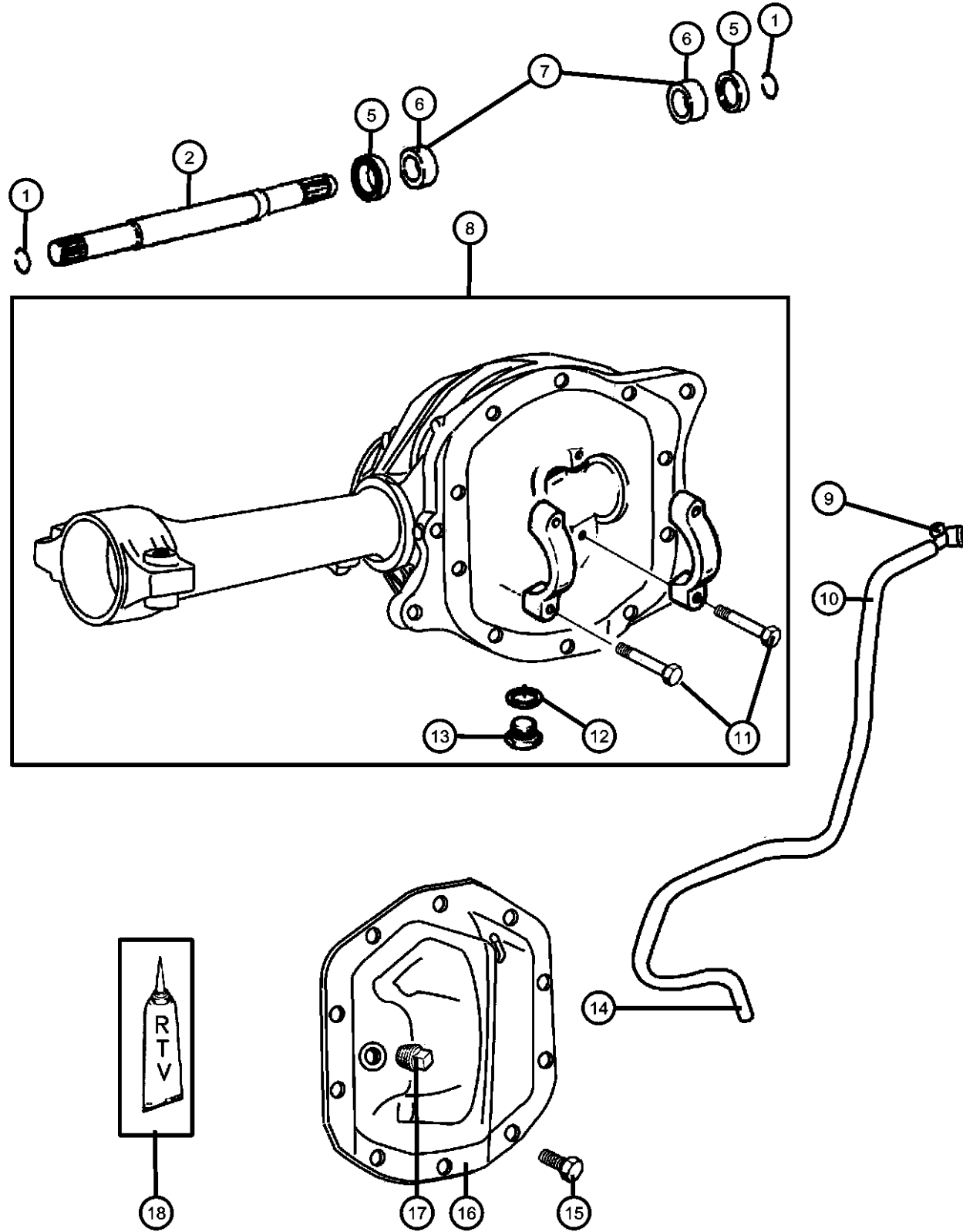
ENGINE  
 ED1 = Engine - 2.4L 4 Cyl  
 DOHC 16v SMPI  
 EKG = Engine - 3.7L V6  
 ENR = Engine - 2.8L 4 Cyl  
 Turbo Diesel  
 ENO = 4CYL turbo diesel

TRANSMISSION  
 DGQ = Transmission-5-Spd Automatic  
 5-45RFE  
 DG6 = Transmission-4-Spd.  
 Automatic, 42RLE  
 DEH = Transmission-6-Speed Manual,  
 NSG370  
 DG0 = Transmissions - All Automatic  
 DBB = ALL MANUAL  
 TRANSMISSIONS

AR = use ase required - = Non illustrated part

2005 KJ

Housing,Axle,Front  
Figure 2-310



ITEM	PART NUMBER	QTY	LINE	SERIES	BODY	ENGINE	TRANS	TRIM	DESCRIPTION
1	05066064AA	1	J						SNAP RING, Axle Shaft Inboard
		1	U						Inboard
2	05066057AB	1	J						SHAFT, Axle
		1	U						
-3	05069009AA	1	J						SNAP RING, Axle Shaft Outboard
		1	U						Outboard
-4	05066067AA	1	J						O RING Axle Shaft
		1	U						Axle Shaft
5	05066066AA	2	J						SEAL, Axle Drive Shaft
		2	U						
6	05066056AA	2	J, U						BEARING, Axle Shaft With Tag 52111124AE
		2	J, U						With Tag 52111137AE
		2	J, U						With Tag 52114037AA
		2	J, U						With Tag 52114038AA
		2	J, U						With Tag 52114355AA
7	05066056AB	2	J, U						BUSHING, Axle Shaft With Tag 52111137AG
		2	J, U						With Tag 52114037AB
		2	J, U						With Tag 52111124AG
		2	J, U						With Tag 52114038AB
		2	J, U						With Tag 52114355AB
8	05066049AB	1	J						HOUSING, Front Axle
		1	U						
9	52104552AB	4	J						VENT, Axle

LIBERTY (KJ)

SERIES LINE  
P = LIMITED J = JEEP - 4WD  
H = SPORT U = JEEP - 4WD (RHD)  
M = RENEGADE T = JEEP - 2WD

BODY  
74 = SPORT UTILITY 4-DR

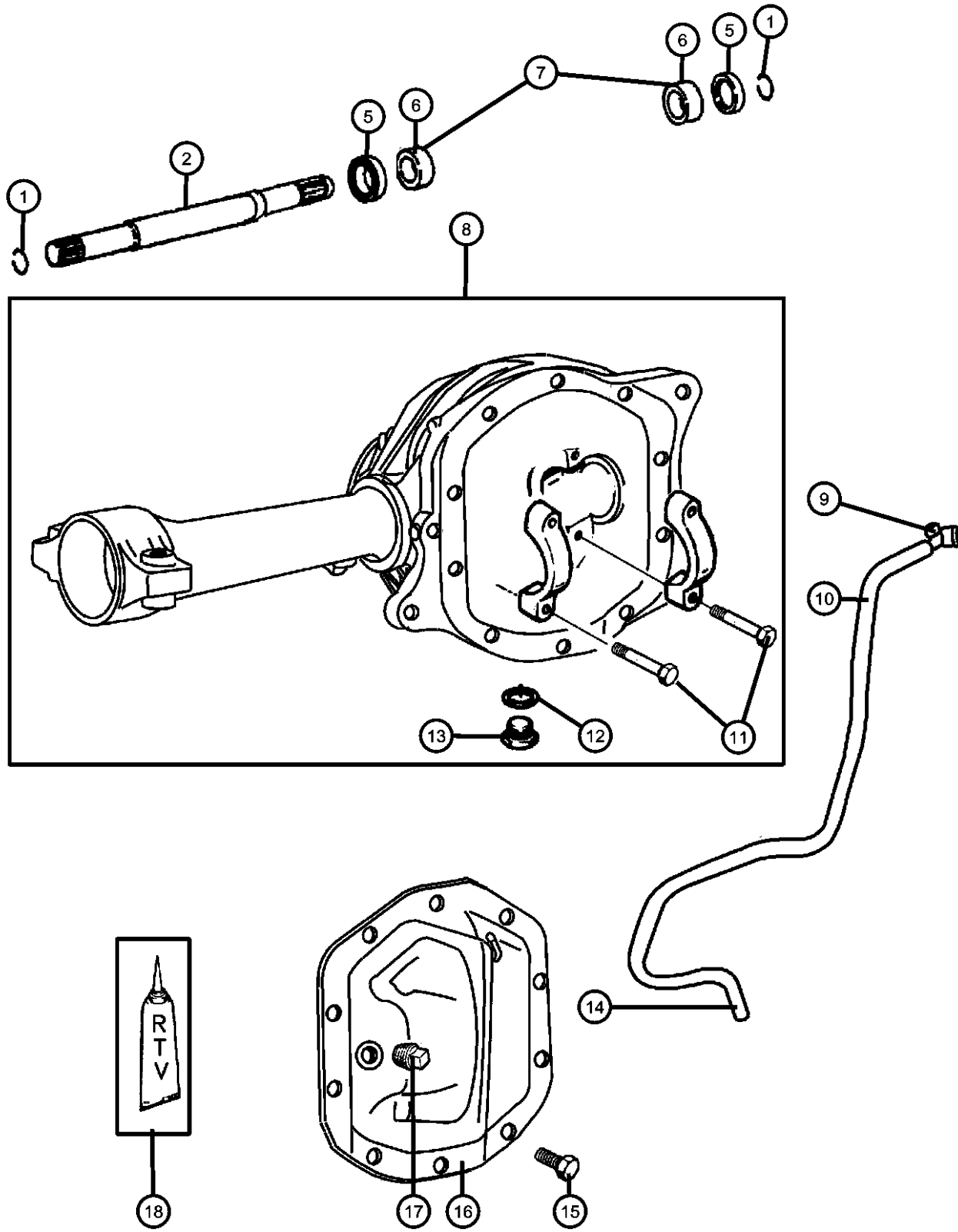
ENGINE  
ED1 = Engine - 2.4L 4 Cyl  
DOHC 16v SMPI  
EKG = Engine - 3.7L V6  
ENR = Engine - 2.8L 4 Cyl  
Turbo Diesel  
ENO = 4CYL turbo diesel

TRANSMISSION  
DGQ = Transmission-5-Spd Automatic  
5-45RFE  
DG6 = Transmission-4-Spd.  
Automatic, 42RLE  
DEH = Transmission-6-Speed Manual,  
NSG370  
DG0 = Transmissions - All Automatic  
DBB = ALL MANUAL  
TRANSMISSIONS

AR = use ase required - = Non illustrated part

2005 KJ

Housing,Axle,Front  
Figure 2-310



ITEM	PART NUMBER	QTY	LINE	SERIES	BODY	ENGINE	TRANS	TRIM	DESCRIPTION
10		4	U						HOSE, Fuel And Vapor, 25 Foot Roll 5/16"
	HFV00516AB	4	J						
		4	U						
11		4	J						BOLT, Differential
	06035985AA	4	J						
		4	U						
12		1	J						O RING
	05066055AA	1	J						
		1	U						
13		1	J						PLUG, Drain
	05066054AA	1	J						
		1	U						
14		1							CLAMP, Hose
	06503573	1							
15		1	J						BOLT KIT
	05069008AA	1	J						
		1	U						
16		1	J						COVER, Differential
	05066538AA	1	J						
		1	U						
17		1	J						PLUG, Differential Cover
	J4004751	1	J						
		1	U						
18		1	J						SEALANT, RTV
	05010884AA	1	J						
		1	U						

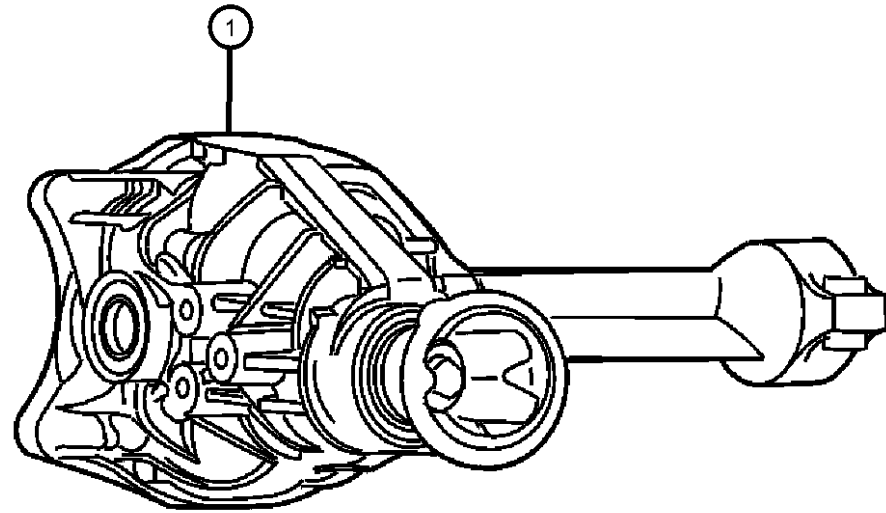
**LIBERTY (KJ)**  
 SERIES LINE BODY ENGINE TRANSMISSION  
 P = LIMITED J = JEEP - 4WD 74 = SPORT UTILITY 4-DR ED1 = Engine - 2.4L 4 Cyl DOHC 16v SMPI DGQ = Transmission-5-Spd Automatic 5-45RFE  
 H = SPORT U = JEEP - 4WD (RHD) EKG = Engine - 3.7L V6 DG6 = Transmission-4-Spd. Automatic, 42RLE  
 M = RENEGADE T = JEEP - 2WD ENR = Engine - 2.8L 4 Cyl Turbo Diesel DEH = Transmission-6-Speed Manual, NSG370  
 ENO = 4CYL turbo diesel DG0 = Transmissions - All Automatic DBB = ALL MANUAL TRANSMISSIONS

AR = use ase required - = Non illustrated part

**Axle Assembly,Front  
Figure 2-410**

ITEM	PART NUMBER	QTY	LINE	SERIES	BODY	ENGINE	TRANS	TRIM	DESCRIPTION
------	-------------	-----	------	--------	------	--------	-------	------	-------------

Note:Sales Codes;  
[DMD]=Axle Ratio - 3.55  
[DME]=Axle Ratio - 3.73  
[DMF]=Axle Ratio - 4.10



1									AXLE, Service Front
	05066068AC	1	J, U						[DME] With Tag 52111137AE
		1	J, U						[DME] With Tag 52114038AA
	05066068AD	1	J, U						[DME] With Tag 52111137AG
	04874468								Mopar SAE 80W-90 Gear Lube Quart Bottle
	68003054AA								Mopar SAE 80W-90 Gear Lube 16 Gallon Keg
	04874469								Mopar SAE 75W-140 Synthetic Gear and Axle Lube Quart
	68003055AA								Mopar SAE 75W-140 Synthetic Gear and Axle Lube 16 Gallon Keg
	05010320AA								Mopar SAE 75W-90 Synthetic Gear Lube Quart
	68003056								Mopar SAE 75W-90 Synthetic Gear Lube 16 Gallon Keg
	P5007326								Performance Mobil 1, 75W - 90 Synthetic Gear Lube
		1	J, U						[DME] With Tag 52114038AB
	04874468								Mopar SAE 80W-90 Gear Lube Quart Bottle
	68003054AA								Mopar SAE 80W-90 Gear Lube 16 Gallon Keg
	04874469								Mopar SAE 75W-140 Synthetic Gear and Axle Lube Quart
	68003055AA								Mopar SAE 75W-140 Synthetic Gear and Axle Lube 16 Gallon Keg
	05010320AA								Mopar SAE 75W-90 Synthetic Gear Lube Quart
	68003056								Mopar SAE 75W-90 Synthetic Gear Lube 16 Gallon Keg
	P5007326								Performance Mobil 1, 75W - 90 Synthetic Gear Lube
	05066084AC	1	J, U						[DMF] With Tag 52111124AE
	05066084AD	1	J, U						[DMF] With Tag 52111124AG

**LIBERTY (KJ)**

SERIES      LINE  
P = LIMITED    J = JEEP - 4WD  
H = SPORT      U = JEEP - 4WD (RHD)  
M = RENEGADE   T = JEEP - 2WD

BODY  
74 = SPORT UTILITY 4-DR

ENGINE  
ED1 = Engine - 2.4L 4 Cyl DOHC 16v SMPI  
EKG = Engine - 3.7L V6  
ENR = Engine - 2.8L 4 Cyl Turbo Diesel  
ENO = 4CYL turbo diesel

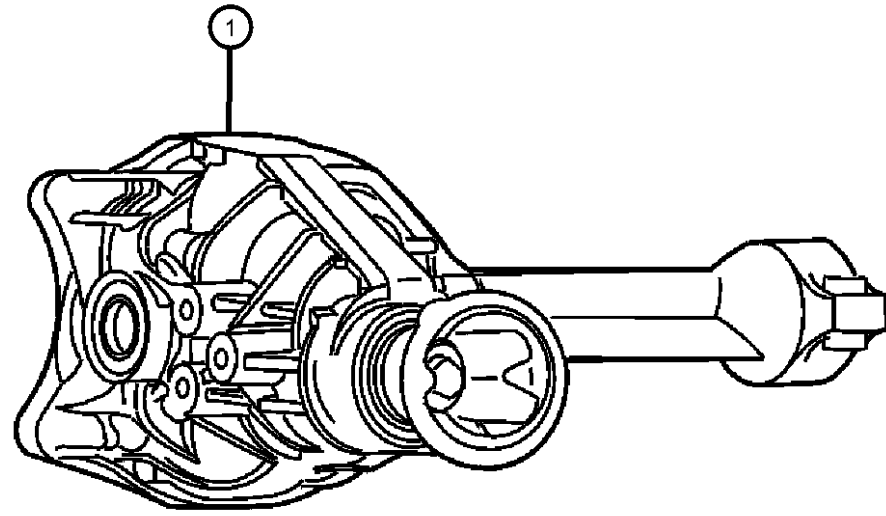
TRANSMISSION  
DGQ = Transmission-5-Spd Automatic 5-45RFE  
DG6 = Transmission-4-Spd. Automatic, 42RLE  
DEH = Transmission-6-Speed Manual, NSG370  
DG0 = Transmissions - All Automatic  
DBB = ALL MANUAL TRANSMISSIONS

AR = use ase required - = Non illustrated part

2005 KJ



**Axle Assembly,Front  
Figure 2-410**



ITEM	PART NUMBER	QTY	LINE	SERIES	BODY	ENGINE	TRANS	TRIM	DESCRIPTION
	04874468								Mopar SAE 80W-90 Gear Lube Quart Bottle
	68003054AA								Mopar SAE 80W-90 Gear Lube 16 Gallon Keg
	04874469								Mopar SAE 75W-140 Synthetic Gear and Axle Lube Quart
	68003055AA								Mopar SAE 75W-140 Synthetic Gear and Axle Lube 16 Gallon Keg
	05010320AA								Mopar SAE 75W-90 Synthetic Gear Lube Quart
	68003056								Mopar SAE 75W-90 Synthetic Gear Lube 16 Gallon Keg
	P5007326								Performance Mobil 1, 75W - 90 Synthetic Gear Lube
	05135252AA	1	J, U						[DMD] With Tag 52114037AA
	04874468								Mopar SAE 80W-90 Gear Lube Quart Bottle
	68003054AA	1	J, U						Mopar SAE 80W-90 Gear Lube 16 Gallon Keg [DMD] With Tag 52114355AA
	04874468								Mopar SAE 80W-90 Gear Lube Quart Bottle
	68003054AA								Mopar SAE 80W-90 Gear Lube 16 Gallon Keg
	05135252AB	1	J, U						[DMD] With Tag 52114037AB
		1	J, U						[DMD] With Tag 52114355AB

**LIBERTY (KJ)**

SERIES      LINE  
P = LIMITED      J = JEEP - 4WD  
H = SPORT      U = JEEP - 4WD (RHD)  
M = RENEGADE      T = JEEP - 2WD

BODY  
74 = SPORT UTILITY 4-DR

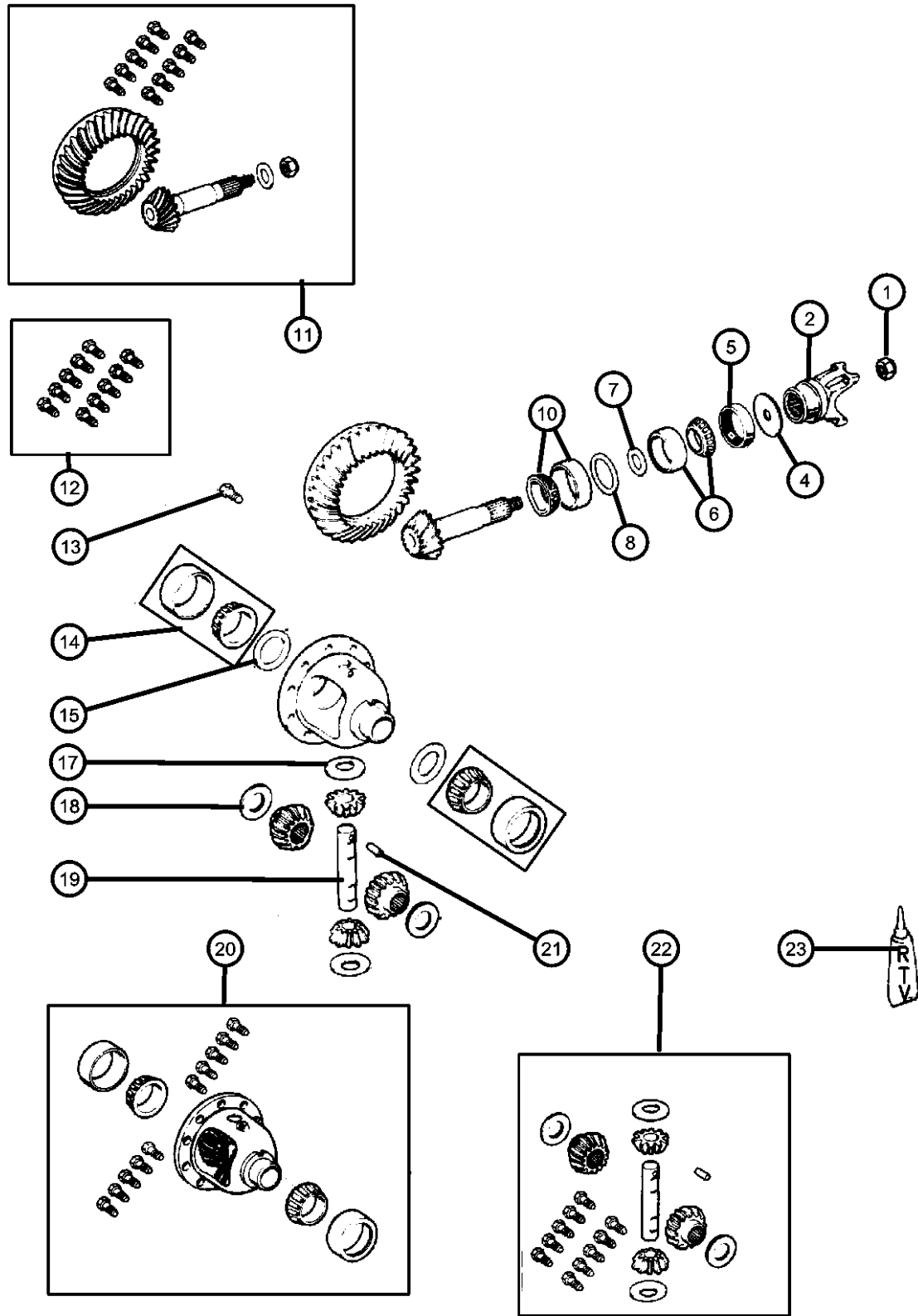
ENGINE  
ED1 = Engine - 2.4L 4 Cyl DOHC 16v SMPI  
EKG = Engine - 3.7L V6  
ENR = Engine - 2.8L 4 Cyl Turbo Diesel  
ENO = 4CYL turbo diesel

TRANSMISSION  
DGQ = Transmission-5-Spd Automatic 5-45RFE  
DG6 = Transmission-4-Spd. Automatic, 42RLE  
DEH = Transmission-6-Speed Manual, NSG370  
DG0 = Transmissions - All Automatic  
DBB = ALL MANUAL TRANSMISSIONS

AR = use ase required - = Non illustrated part

2005 KJ

**Differential,Front Axle  
Figure 2-610**



ITEM	PART NUMBER	QTY	LINE	SERIES	BODY	ENGINE	TRANS	TRIM	DESCRIPTION
Note:Sales Codes; [DMD]=Axle Ratio - 3.55 [DME]=Axle Ratio - 3.73 [DMF]=Axle Ratio - 4.10									
1									NUT, Pinion Yoke
	04720895	1	J						
		1	U						
2									YOKE, Axle
	05066050AB	1	J, U						With Tag 52111137AE
		1	J, U						With Tag 52114037AA
		1	J, U						With Tag 52111124AE
		1	J, U						With Tag 52114038AA
		1	J, U						With Tag 52114355AA
	05066050AC	1	J, U						With Tag 52111137AG
		1	J, U						With Tag 52114037AB
		1	J, U						With Tag 52111124AG
		1	J, U						With Tag 52114038AB
		1	J, U						With Tag 52114355AB
-3									O RING
	05066067AA	1	J						Fits over Hub of Yoke
		1	U						Fits over Hub of Yoke
4									SLINGER, Drive Pinion
	05066052AA	1	J						
		1	U						
5									SEAL, Drive Pinion
	05066053AA	1	J						
		1	U						
6									BEARING, Drive Pinion
	J8126499	1	J						Bearing and Cup, Front
		1	U						Bearing and Cup, Front
7									SPACER
	05066047AA	1	J						Crush
		1	U						Crush

**LIBERTY (KJ)**

SERIES      LINE  
P = LIMITED      J = JEEP - 4WD  
H = SPORT      U = JEEP - 4WD (RHD)  
M = RENEGADE      T = JEEP - 2WD

BODY  
74 = SPORT UTILITY 4-DR

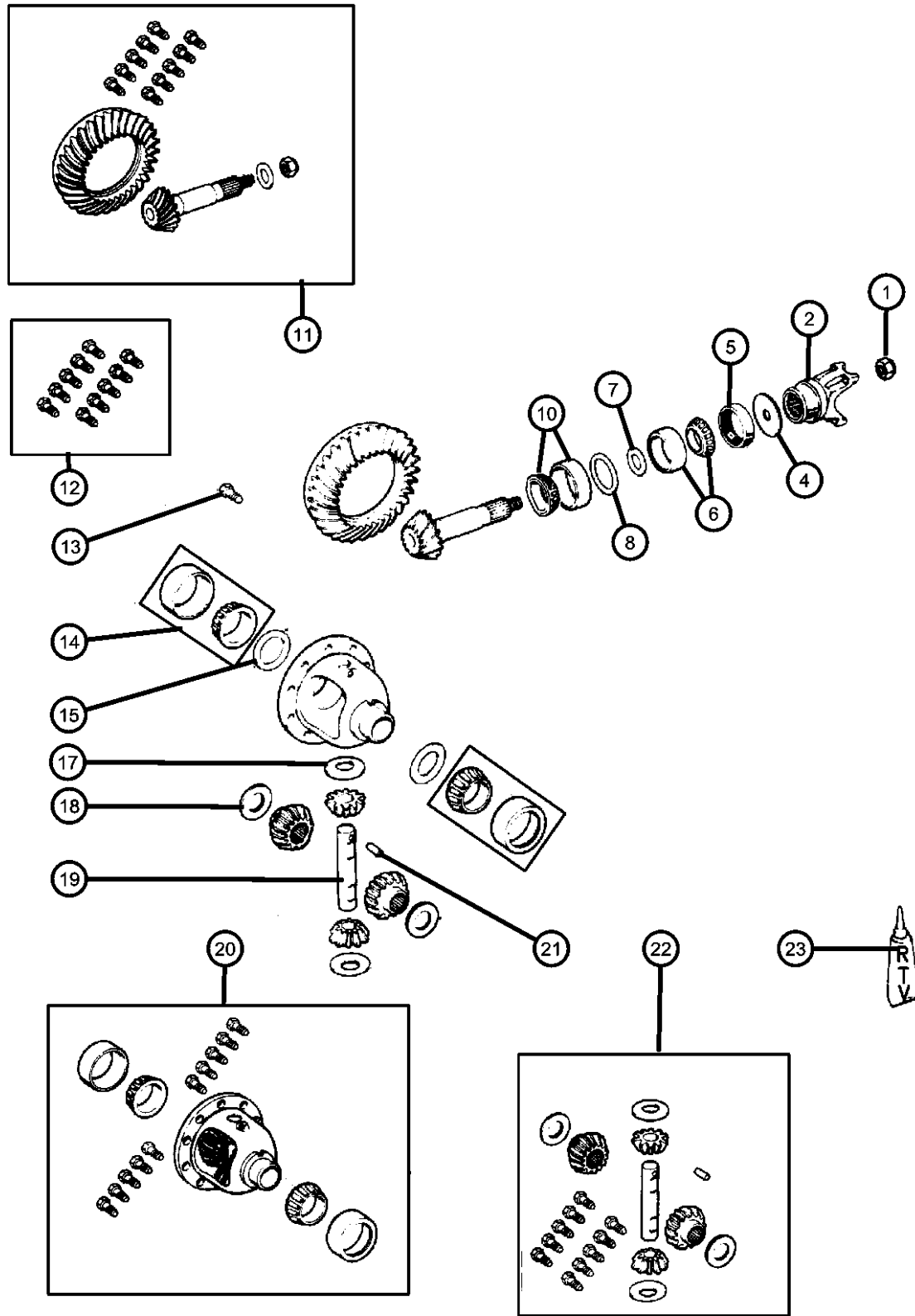
ENGINE  
ED1 = Engine - 2.4L 4 Cyl  
DOHC 16v SMPI  
EKG = Engine - 3.7L V6  
ENR = Engine - 2.8L 4 Cyl  
Turbo Diesel  
ENO = 4CYL turbo diesel

TRANSMISSION  
DGQ = Transmission-5-Spd Automatic  
5-45RFE  
DG6 = Transmission-4-Spd.  
Automatic, 42RLE  
DEH = Transmission-6-Speed Manual,  
NSG370  
DG0 = Transmissions - All Automatic  
DBB = ALL MANUAL  
TRANSMISSIONS

AR = use ase required - = Non illustrated part

2005 KJ

Differential,Front Axle  
Figure 2-610



ITEM	PART NUMBER	QTY	LINE	SERIES	BODY	ENGINE	TRANS	TRIM	DESCRIPTION
8									SHIM, Drive Pinion Bearing
	05066572AA	1	J						[.045"]
		1	U						[.045"]
	05066573AA	1	U						[.046"]
		1	J						[.046"]
	05066574AA	1	J						[.047"]
		1	U						[.047"]
	05066575AA	1	U						[.048"]
		1	J						[.048"]
	05066576AA	1	U						[.049"]
		1	J						[.049"]
	05066577AA	1	U						[.050"]
		1	J						[.050"]
	05066578AA	1	J						[.051"]
		1	U						[.051"]
	05066579AA	1	J						[.052"]
		1	U						[.052"]
	05066580AA	1	J						[.053"]
		1	U						[.053"]
	05066581AA	1	J						[.055"]
		1	U						[.055"]
	05066582AA	1	J						[.056"]
		1	U						[.056"]
	05066583AA	1	J						[.057"]
		1	U						[.057"]
	05066584AA	1	J						[.034"]
		1	U						[.034"]
	05066585AA	1	J						[.035"]
		1	U						[.035"]
	05066586AA	1	U						[.036"]
		1	J						[.036"]

LIBERTY (KJ)

SERIES LINE  
P = LIMITED J = JEEP - 4WD  
H = SPORT U = JEEP - 4WD (RHD)  
M = RENEGADE T = JEEP - 2WD

BODY  
74 = SPORT UTILITY 4-DR

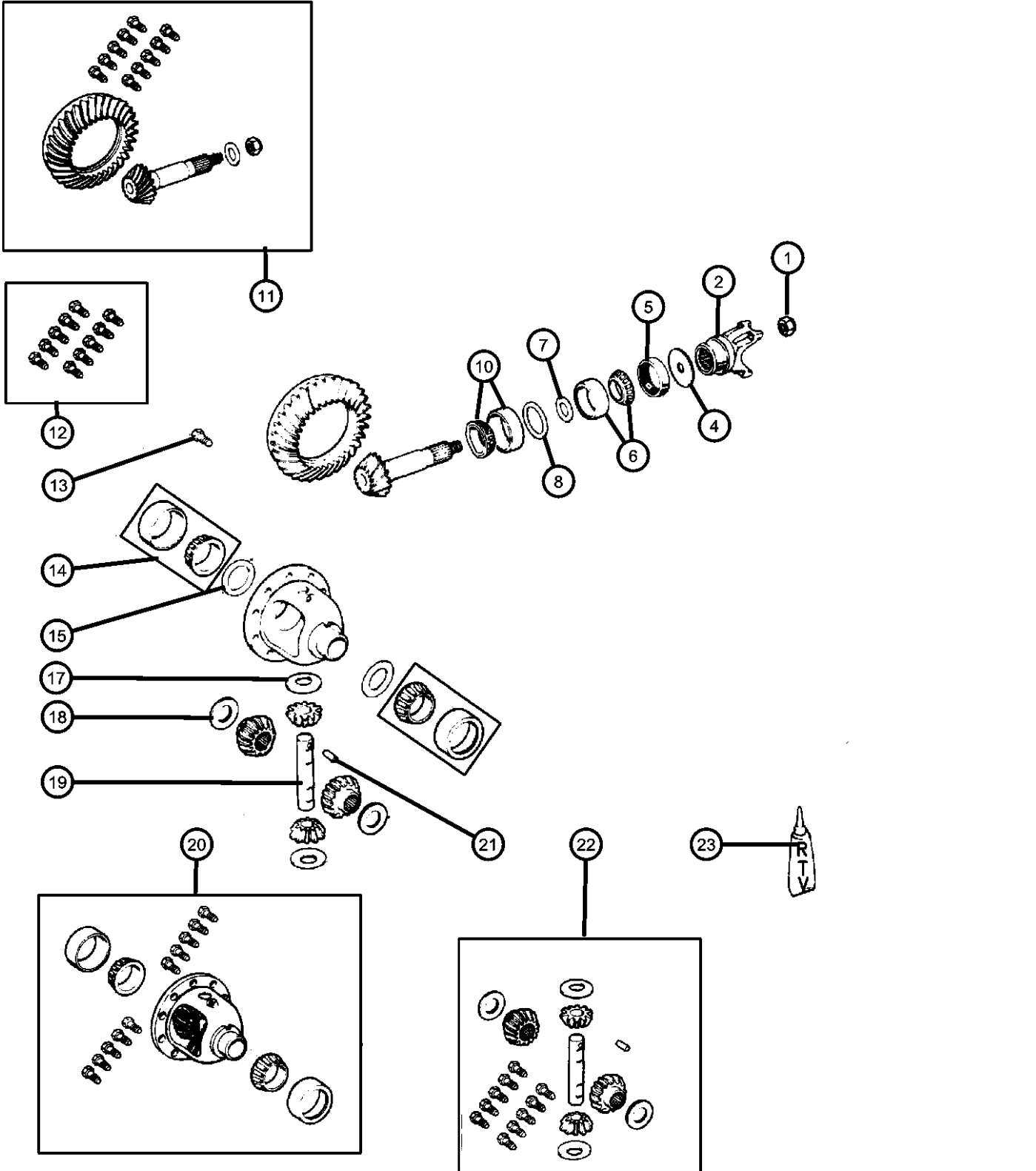
ENGINE  
ED1 = Engine - 2.4L 4 Cyl  
DOHC 16v SMPI  
EKG = Engine - 3.7L V6  
ENR = Engine - 2.8L 4 Cyl  
Turbo Diesel  
ENO = 4CYL turbo diesel

TRANSMISSION  
DGQ = Transmission-5-Spd Automatic  
5-45RFE  
DG6 = Transmission-4-Spd.  
Automatic, 42RLE  
DEH = Transmission-6-Speed Manual,  
NSG370  
DG0 = Transmissions - All Automatic  
DBB = ALL MANUAL  
TRANSMISSIONS

AR = use ase required - = Non illustrated part

2005 KJ

**Differential,Front Axle  
Figure 2-610**



ITEM	PART NUMBER	QTY	LINE	SERIES	BODY	ENGINE	TRANS	TRIM	DESCRIPTION
	05066587AA	1	J						[.037"]
		1	U						[.037"]
	05066588AA	1	U						[.038"]
		1	J						[.038"]
	05066589AA	1	U						[.039"]
		1	J						[.039"]
	05066590AA	1	U						[.040"]
		1	J						[.040"]
	05066591AA	1	J						[.041"]
		1	U						[.041"]
	05066592AA	1	J						[.042"]
		1	U						[.042"]
	05066593AA	1	J						[.043"]
		1	U						[.043"]
	05066594AA	1	J						[.044"]
		1	U						[.044"]
	05066595AA	1	J						[.054"]
		1	U						[.054"]
	05066596AA	1	J						[.058"]
		1	U						[.058"]
-9									SHIM KIT, Pinion Shaft Contains 1 Each of Item 8
	05066533AA	1	J						Contains 1 Each of Item 8
		1	U						
10									BEARING, Drive Pinion
	04746979	1	J						Bearing and Cup, Rear
		1	U						Bearing and Cup, Rear
11									GEAR KIT, Ring And Pinion
	05066051AA	1	U						[DME]
		1	J						[DME]
	05066085AA	1	J						[DMF]
		1	U						[DMF]

**LIBERTY (KJ)**  
 SERIES            LINE  
 P = LIMITED      J = JEEP - 4WD  
 H = SPORT        U = JEEP - 4WD (RHD)  
 M = RENEGADE   T = JEEP - 2WD

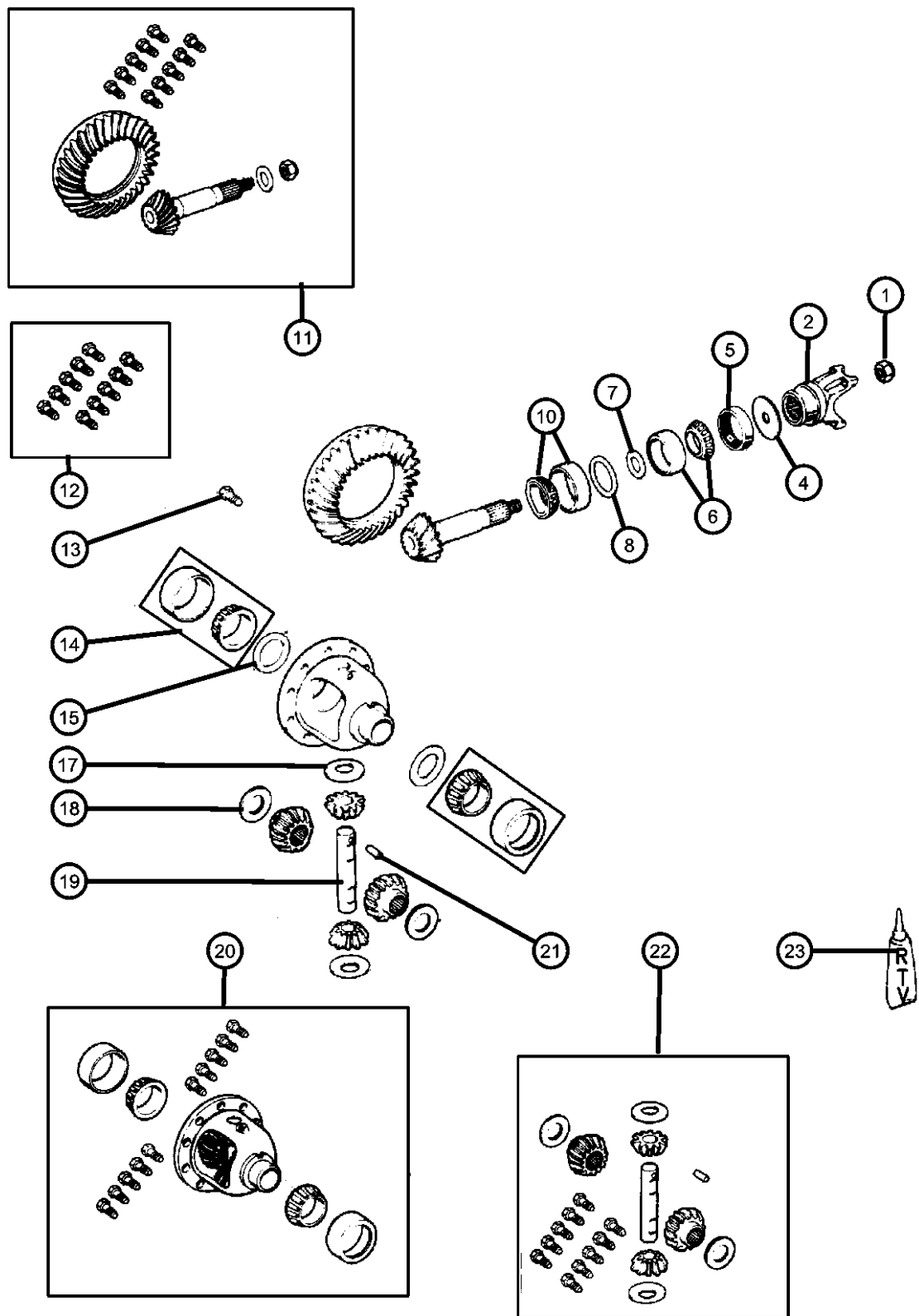
**BODY**  
 74 = SPORT UTILITY 4-DR

**ENGINE**  
 ED1 = Engine - 2.4L 4 Cyl DOHC 16v SMPI  
 EKG = Engine - 3.7L V6  
 ENR = Engine - 2.8L 4 Cyl Turbo Diesel  
 ENO = 4CYL turbo diesel

**TRANSMISSION**  
 DGQ = Transmission-5-Spd Automatic 5-45RFE  
 DG6 = Transmission-4-Spd. Automatic, 42RLE  
 DEH = Transmission-6-Speed Manual, NSG370  
 DG0 = Transmissions - All Automatic  
 DBB = ALL MANUAL TRANSMISSIONS

AR = use ase required - = Non illustrated part

Differential,Front Axle  
Figure 2-610



ITEM	PART NUMBER	QTY	LINE	SERIES	BODY	ENGINE	TRANS	TRIM	DESCRIPTION
	05135255AA	1	J						[DMD]
		1	U						[DMD]
12	05069008AA	1	J						BOLT KIT Contains 10-5252503 Screws
		1	U						Contains 10-5252503 Screws
13	05252503	1	J						SCREW, Drive Gear Mounting
		10	U						Mounting
14	J8126500	1	U						BEARING, Differential Contains 2 Cups and 2 Cones
		1	J						Contains 2 Cups and 2 Cones
15	05017218AA	1	J						SHIM, Differential Bearing [.109"]
		1	U						[.109"]
	05017219AA	1	J						[.110"]
		1	U						[.110"]
	05017220AA	1	J						[.111"]
		1	U						[.111"]
	05017221AA	1	J						[.112"]
		1	U						[.112"]
	05017222AA	1	J						[.113"]
		1	U						[.113"]
	05017223AA	1	J						[.114"]
		1	U						[.114"]
	05017224AA	1	U						[.115"]
		1	J						[.115"]
	05017225AA	1	U						[.116"]
		1	J						[.116"]
	05017226AA	1	J						[.117"]
		1	U						[.117"]
	05017227AA	1	J						[.118"]

**LIBERTY (KJ)**  
 SERIES            LINE  
 P = LIMITED      J = JEEP - 4WD  
 H = SPORT        U = JEEP - 4WD (RHD)  
 M = RENEGADE    T = JEEP - 2WD

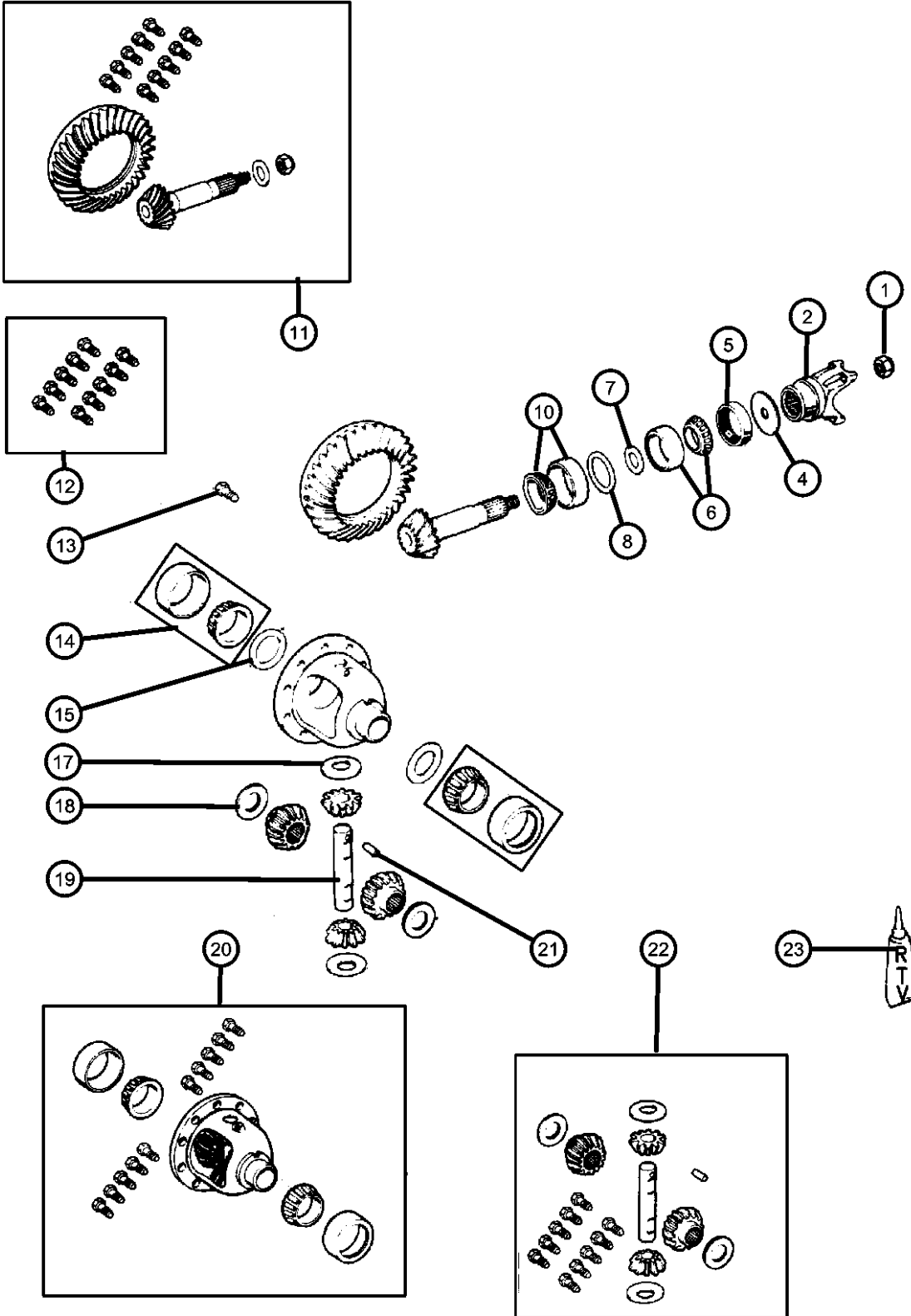
**BODY**  
 74 = SPORT UTILITY 4-DR

**ENGINE**  
 ED1 = Engine - 2.4L 4 Cyl  
 DOHC 16v SMPI  
 EKG = Engine - 3.7L V6  
 ENR = Engine - 2.8L 4 Cyl  
 Turbo Diesel  
 ENO = 4CYL turbo diesel

**TRANSMISSION**  
 DGQ = Transmission-5-Spd Automatic  
 5-45RFE  
 DG6 = Transmission-4-Spd.  
 Automatic, 42RLE  
 DEH = Transmission-6-Speed Manual,  
 NSG370  
 DG0 = Transmissions - All Automatic  
 DBB = ALL MANUAL  
 TRANSMISSIONS

AR = use ase required - = Non illustrated part

**Differential,Front Axle  
Figure 2-610**



ITEM	PART NUMBER	QTY	LINE	SERIES	BODY	ENGINE	TRANS	TRIM	DESCRIPTION
		1	U						[.118"]
	05017228AA	1	J						[.119"]
		1	U						[.119"]
	05017229AA	1	J						[.120"]
		1	U						[.120"]
	05017230AA	1	U						[.121"]
		1	J						[.121"]
	05017231AA	1	J						[.122"]
		1	U						[.122"]
	05017232AA	1	J						[.123"]
		1	U						[.123"]
	05017233AA	1	J						[.124"]
		1	U						[.124"]
	05017234AA	1	J						[.125"]
		1	U						[.125"]
	05017235AA	1	J						[.126"]
		1	U						[.126"]
	05017236AA	1	U						[.127"]
		1	J						[.127"]
	05017237AA	1	J						[.128"]
		1	U						[.128"]
	05017238AA	1	J						[.129"]
		1	U						[.129"]
	05017239AA	1	J						[.130"]
		1	U						[.130"]
	05017240AA	1	J						[.131"]
		1	U						[.131"]
	05017241AA	1	J						[.132"]
		1	U						[.132"]
	05017242AA	1	J						[.133"]
		1	U						[.133"]

**LIBERTY (KJ)**  
 SERIES            LINE  
 P = LIMITED      J = JEEP - 4WD  
 H = SPORT        U = JEEP - 4WD (RHD)  
 M = RENEGADE    T = JEEP - 2WD

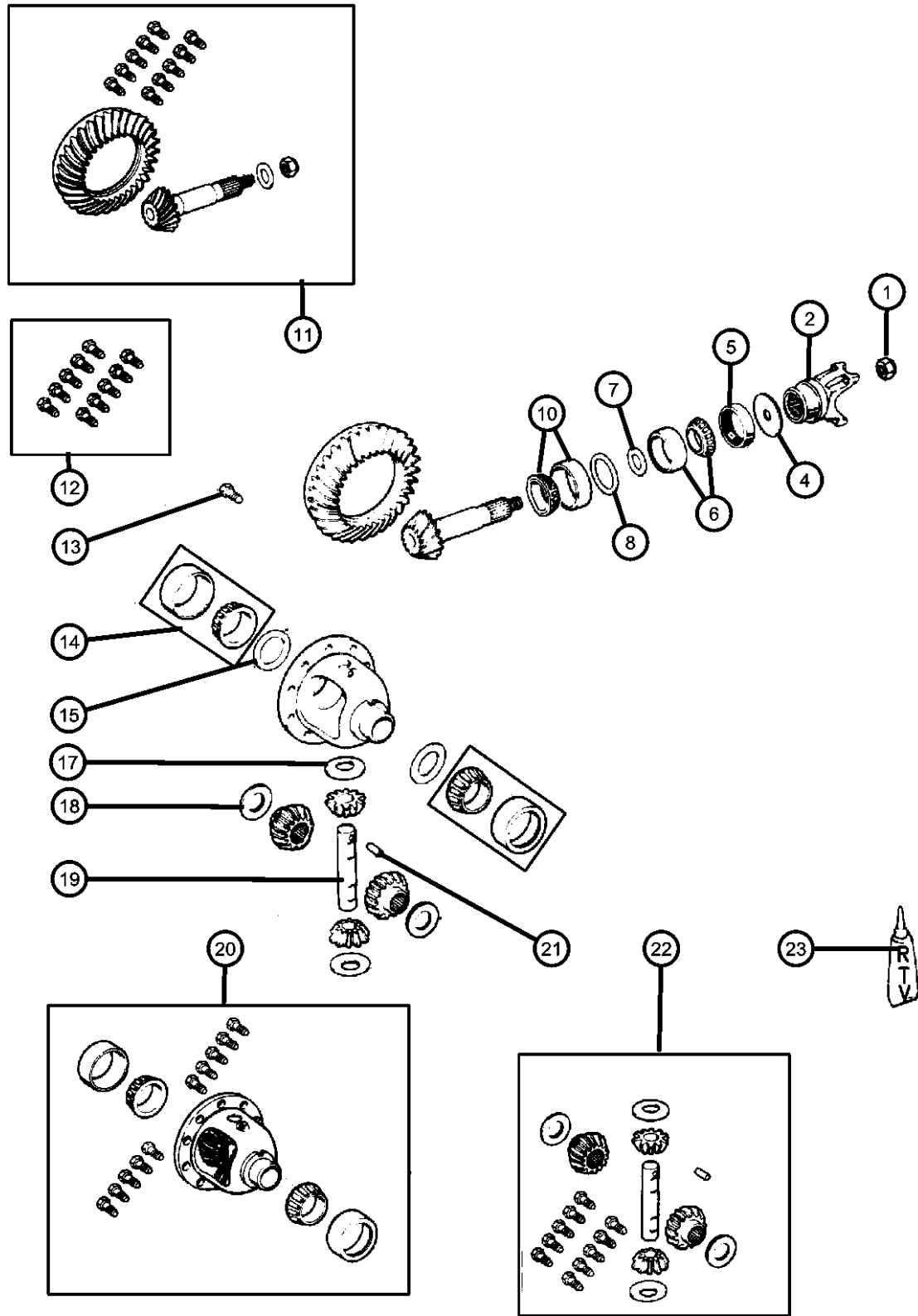
**BODY**  
 74 = SPORT UTILITY 4-DR

**ENGINE**  
 ED1 = Engine - 2.4L 4 Cyl DOHC 16v SMPI  
 EKG = Engine - 3.7L V6  
 ENR = Engine - 2.8L 4 Cyl Turbo Diesel  
 ENO = 4CYL turbo diesel

**TRANSMISSION**  
 DGQ = Transmission-5-Spd Automatic 5-45RFE  
 DG6 = Transmission-4-Spd. Automatic, 42RLE  
 DEH = Transmission-6-Speed Manual, NSG370  
 DG0 = Transmissions - All Automatic  
 DBB = ALL MANUAL TRANSMISSIONS

AR = use ase required - = Non illustrated part

Differential,Front Axle  
Figure 2-610



ITEM	PART NUMBER	QTY	LINE	SERIES	BODY	ENGINE	TRANS	TRIM	DESCRIPTION
	05017243AA	1	J						[.134"]
		1	U						[.134"]
	05017244AA	1	J						[.135"]
		1	U						[.135"]
	05017245AA	1	U						[.136"]
		1	J						[.136"]
	05017246AA	1	U						[.137"]
		1	J						[.137"]
	05017247AA	1	U						[.138"]
		1	J						[.138"]
	05017248AA	1	J						[.139"]
		1	U						[.139"]
	05017249AA	1	U						[.140"]
		1	J						[.140"]
	05017250AA	1	J						[.141"]
		1	U						[.141"]
	05017251AA	1	J						[.142"]
		1	U						[.142"]
	05017252AA	1	U						[.143"]
		1	J						[.143"]
	05017253AA	1	J						[.144"]
		1	U						[.144"]
	05017254AA	1	J						[.145"]
		1	U						[.145"]
	05017255AA	1	U						[.146"]
		1	J						[.146"]
	05017256AA	1	J						[.147"]
		1	U						[.147"]
	05017257AA	1	U						[.148"]
		1	J						[.148"]

-16

SHIM KIT, Differential

LIBERTY (KJ)

SERIES LINE  
P = LIMITED J = JEEP - 4WD  
H = SPORT U = JEEP - 4WD (RHD)  
M = RENEGADE T = JEEP - 2WD

BODY  
74 = SPORT UTILITY 4-DR

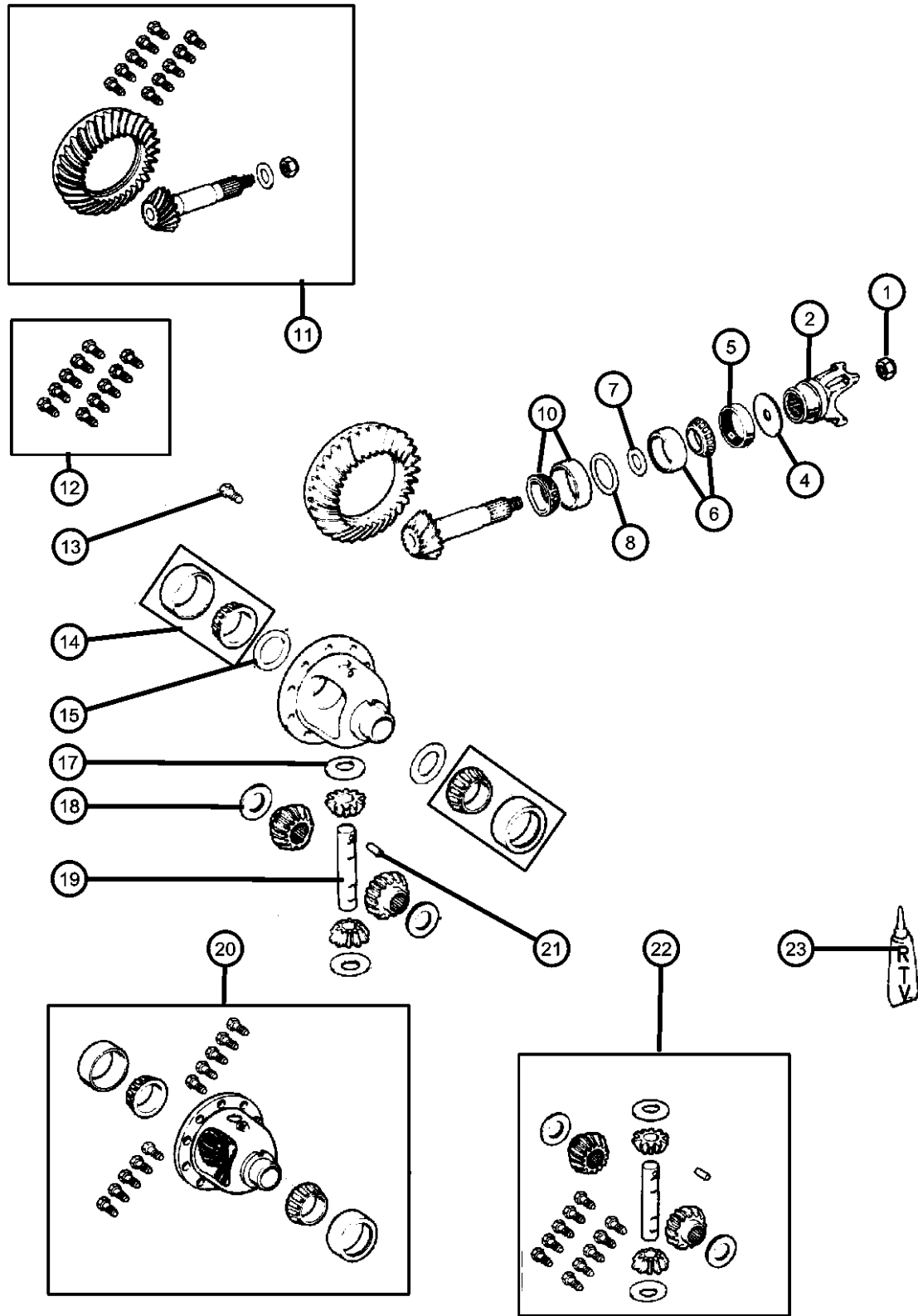
ENGINE  
ED1 = Engine - 2.4L 4 Cyl  
DOHC 16v SMPI  
EKG = Engine - 3.7L V6  
ENR = Engine - 2.8L 4 Cyl  
Turbo Diesel  
ENO = 4CYL turbo diesel

TRANSMISSION  
DGQ = Transmission-5-Spd Automatic  
5-45RFE  
DG6 = Transmission-4-Spd.  
Automatic, 42RLE  
DEH = Transmission-6-Speed Manual,  
NSG370  
DG0 = Transmissions - All Automatic  
DBB = ALL MANUAL  
TRANSMISSIONS

AR = use ase required - = Non illustrated part

2005 KJ

Differential,Front Axle  
Figure 2-610



ITEM	PART NUMBER	QTY	LINE	SERIES	BODY	ENGINE	TRANS	TRIM	DESCRIPTION
	05066539AA	1	J						Contains 1 Each of Item 15
		1	U						Contains 1 Each of Item 15
17	J8120831	2	J						WASHER, Pinion Gear Thrust
		2	U						Thrust
18	J8120832	2	J						WASHER, Side Gear Thrust
		2	U						Thrust
19	05003840AA	1	J						SHAFT, Differential
		1	U						
20	05066529AA	1	J						CASE, Differential [DME] With Internal Parts
		1	U						[DME] With Internal Parts
	05135254AA	1	U						[DMD] With Internal Parts
		1	J						[DMD] With Internal Parts
21	01791563	1	J						PIN, Differential Shaft
		1	U						
22	05066530AA	1	J						GEAR KIT, Center Differential
		1	U						
23	05010884AA	1	J						SEALANT, RTV
		1	U						

LIBERTY (KJ)

SERIES LINE  
P = LIMITED J = JEEP - 4WD  
H = SPORT U = JEEP - 4WD (RHD)  
M = RENEGADE T = JEEP - 2WD

BODY  
74 = SPORT UTILITY 4-DR

ENGINE  
ED1 = Engine - 2.4L 4 Cyl DOHC 16v SMPI  
EKG = Engine - 3.7L V6  
ENR = Engine - 2.8L 4 Cyl Turbo Diesel  
ENO = 4CYL turbo diesel

TRANSMISSION  
DGQ = Transmission-5-Spd Automatic 5-45RFE  
DG6 = Transmission-4-Spd. Automatic, 42RLE  
DEH = Transmission-6-Speed Manual, NSG370  
DG0 = Transmissions - All Automatic  
DBB = ALL MANUAL TRANSMISSIONS

AR = use ase required - = Non illustrated part

2005 KJ

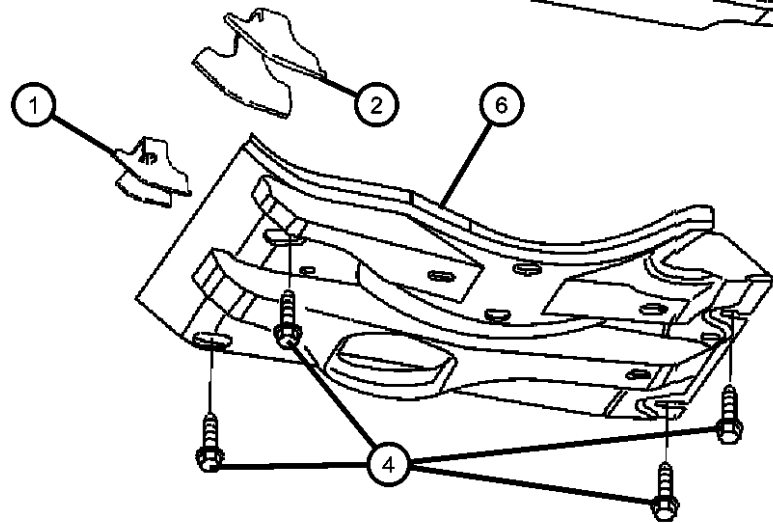
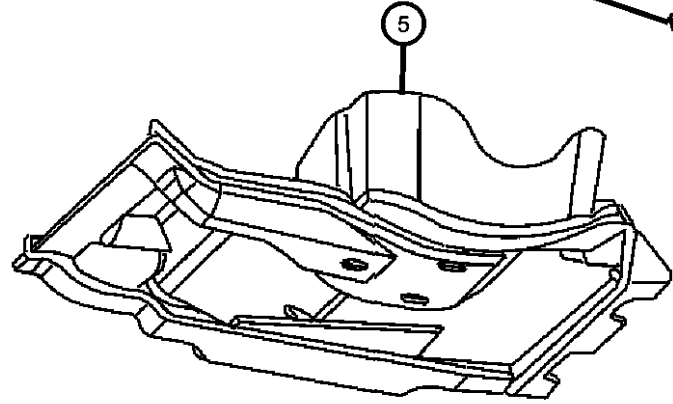
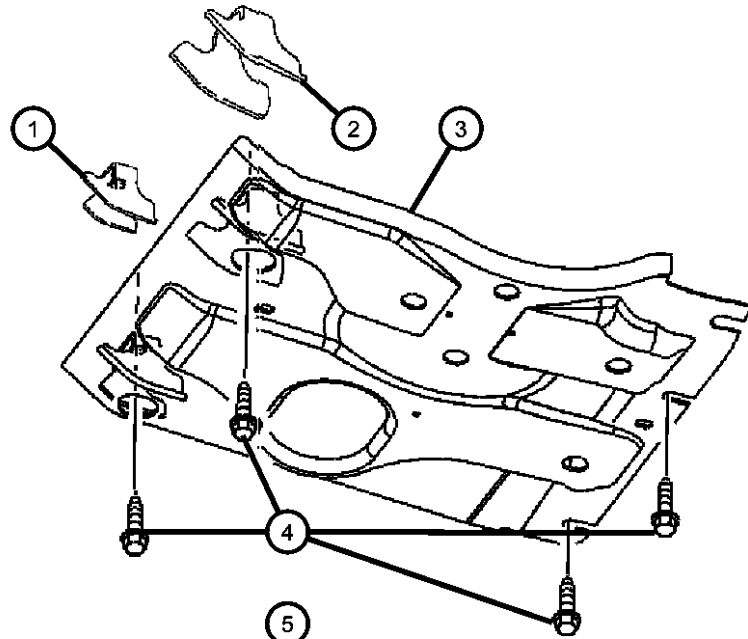


Skid Plate,Front Axle  
Figure 2-810

ITEM	PART NUMBER	QTY	LINE	SERIES	BODY	ENGINE	TRANS	TRIM	DESCRIPTION
------	-------------	-----	------	--------	------	--------	-------	------	-------------

Note:Sales Codes;  
[EN0]-Engines - All 4/5 Cylinder Turbo Diesel  
[XEU]=Skid Plate - Front Suspension

1	52128544AA	1	J, U						BRACKET, Skid PlateRight
2	52128545AA	1	J, U						BRACKET, Skid PlateLeft
3	52129092AA	1	J, U						SKID PLATE, Front, [XEU]
4									SCREW AND WASHER, Hex Head, M10x1.5x30
	06101060	4	J, U						Skid Plate to Cradle, Mounting
		4	J, U						[EN0] Without [XEU] Belly Pan to Cradle, Mounting
5	52129093AB	1	J, U						BELLY PAN, Front, [EN0]
6	52129290AA	1	J, U						SUPPORT ASSY, Frt Belly Pan, [EN0] Without [XEU]



LIBERTY (KJ)

SERIES LINE  
P = LIMITED J = JEEP - 4WD  
H = SPORT U = JEEP - 4WD (RHD)  
M = RENEGADE T = JEEP - 2WD

BODY  
74 = SPORT UTILITY 4-DR

ENGINE  
ED1 = Engine - 2.4L 4 Cyl DOHC 16v SMPI  
EKG = Engine - 3.7L V6  
ENR = Engine - 2.8L 4 Cyl Turbo Diesel  
ENO = 4CYL turbo diesel

TRANSMISSION  
DGQ = Transmission-5-Spd Automatic 5-45RFE  
DG6 = Transmission-4-Spd. Automatic, 42RLE  
DEH = Transmission-6-Speed Manual, NSG370  
DG0 = Transmissions - All Automatic  
DBB = ALL MANUAL TRANSMISSIONS

AR = use ase required - = Non illustrated part

2005 KJ

# Group - 3

## Rear Axle

### Group - 3 Rear Axle

Illustration Title

Group-Fig. No.

#### Rear Axle

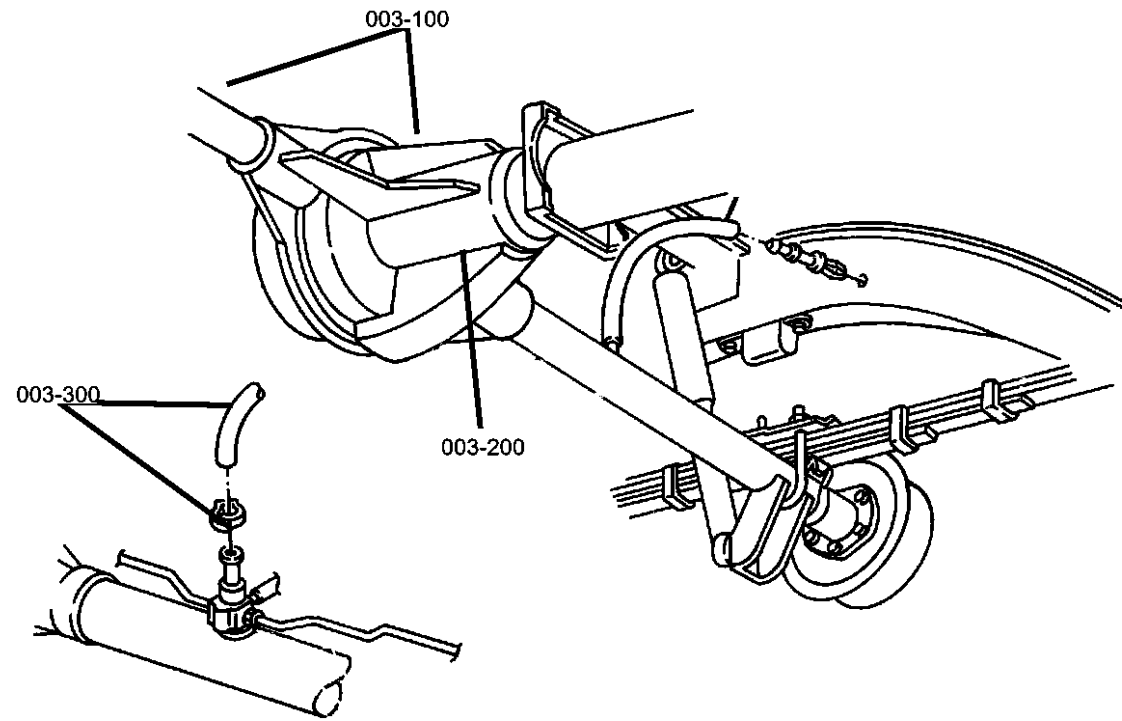
Axle Assembly,Rear,Corporate 8.25 [DRA] ..... Fig. 3 - 110

#### Differential and Housing

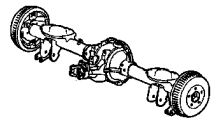
Axle,Rear,with Differential and Housing,Corporate 8.25 [DRA]..... Fig. 3 - 210

#### Rear Axle Vent

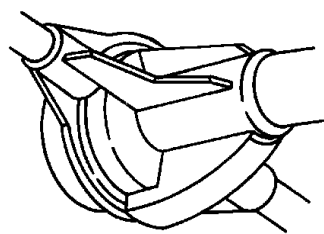
Vent,Rear Axle ..... Fig. 3 - 310



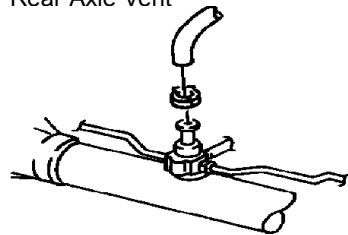
**003-100**  
Rear Axle



**003-200**  
Differential and Housing



**003-300**  
Rear Axle Vent



**Axle Assembly,Rear,Corporate 8.25 [DRA]  
Figure 3-110**

ITEM	PART NUMBER	QTY	LINE	SERIES	BODY	ENGINE	TRANS	TRIM	DESCRIPTION
------	-------------	-----	------	--------	------	--------	-------	------	-------------

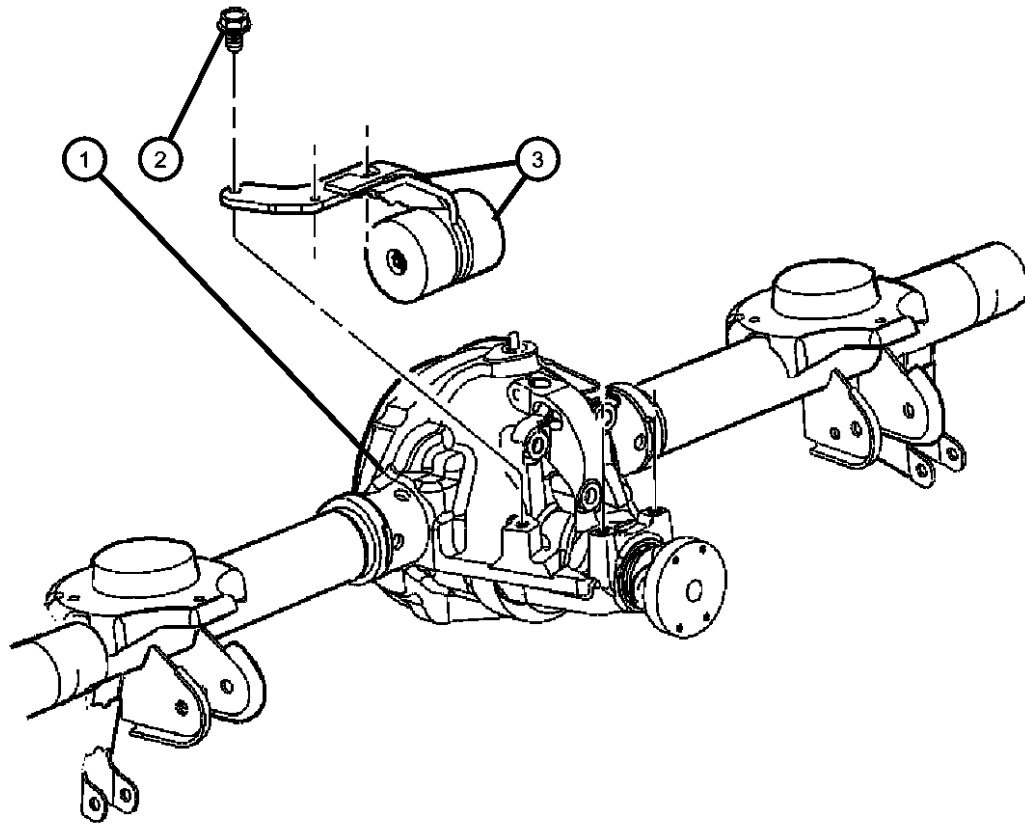
Note: Sales Codes  
 [DMD]=Axle Ratio - 3.55  
 [DME]=Axle Ratio - 3.73  
 [DMF]=Axle Ratio - 4.10  
 [DRA]=Axle - Rear, Corporate 8.25  
 [DSA]=Axle-Trac-Lok Differential  
 [EK0]=Engines - All 3.7L 6 Cylinder Gas  
 [EN0]=Engines - All 4/5 Cylinder Turbo Diesel

1

AXLE, Service Rear

05102973AC	1
04874469	
68003055AA	
05010320AA	
68003056	
P5007326	
05102974AC	1
04874469	
68003055AA	
05010320AA	
68003056	
P5007326	
05137756AB	1
05137757AB	1
05137758AB	1
04874469	
68003055AA	

[DMF,DSA] Tag 52114032AE  
 Mopar SAE 75W-140 Synthetic Gear and Axle Lube Quart  
 Mopar SAE 75W-140 Synthetic Gear and Axle Lube 16 Gallon Keg  
 Mopar SAE 75W-90 Synthetic Gear Lube Quart  
 Mopar SAE 75W-90 Synthetic Gear Lube 16 Gallon Keg  
 Performance Mobil 1, 75W - 90 Synthetic Gear Lube  
 [DMF] Tag 52114034AE  
 Mopar SAE 75W-140 Synthetic Gear and Axle Lube Quart  
 Mopar SAE 75W-140 Synthetic Gear and Axle Lube 16 Gallon Keg  
 Mopar SAE 75W-90 Synthetic Gear Lube Quart  
 Mopar SAE 75W-90 Synthetic Gear Lube 16 Gallon Keg  
 Performance Mobil 1, 75W - 90 Synthetic Gear Lube  
 [EK0,DME,DSA] Tag 52114165AA  
 [EK0,DME] Tag 52114167AA  
 [EK0,DMD,DSA] Tag 52114161AA  
 Mopar SAE 75W-140 Synthetic Gear and Axle Lube Quart  
 Mopar SAE 75W-140 Synthetic Gear and Axle Lube 16 Gallon Keg



**LIBERTY (KJ)**

SERIES      LINE  
 P = LIMITED      J = JEEP - 4WD  
 H = SPORT      U = JEEP - 4WD (RHD)  
 M = RENEGADE      T = JEEP - 2WD

BODY  
 74 = SPORT UTILITY 4-DR

ENGINE  
 ED1 = Engine - 2.4L 4 Cyl DOHC 16v SMPI  
 EKG = Engine - 3.7L V6  
 ENR = Engine - 2.8L 4 Cyl Turbo Diesel  
 ENO = 4CYL turbo diesel

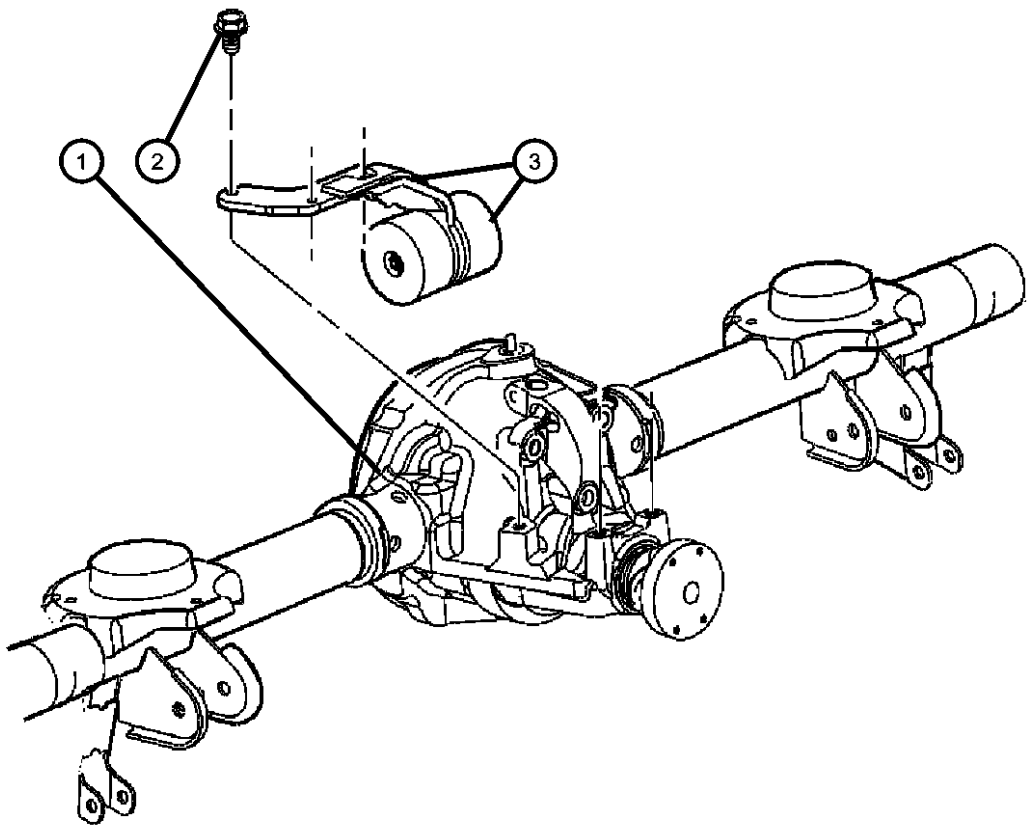
TRANSMISSION  
 DGQ = Transmission-5-Spd Automatic 5-45RFE  
 DG6 = Transmission-4-Spd. Automatic, 42RLE  
 DEH = Transmission-6-Speed Manual, NSG370  
 DG0 = Transmissions - All Automatic  
 DBB = ALL MANUAL TRANSMISSIONS

AR = use ase required - = Non illustrated part

2005 KJ

**Axle Assembly,Rear,Corporate 8.25 [DRA]  
Figure 3-110**

ITEM	PART NUMBER	QTY	LINE	SERIES	BODY	ENGINE	TRANS	TRIM	DESCRIPTION
	05010320AA								Mopar SAE 75W-90 Synthetic Gear Lube Quart
	68003056								Mopar SAE 75W-90 Synthetic Gear Lube 16 Gallon Keg
	P5007326								Performance Mobil 1, 75W - 90 Synthetic Gear Lube
	05137759AB	1							[EK0,DMD] Tag 52114163AA
	05170825AA	1							[EN0,DMD] Tag 52114770AA
	04874469								Mopar SAE 75W-140 Synthetic Gear and Axle Lube Quart
	68003055AA								Mopar SAE 75W-140 Synthetic Gear and Axle Lube 16 Gallon Keg
	05010320AA								Mopar SAE 75W-90 Synthetic Gear Lube Quart
	68003056								Mopar SAE 75W-90 Synthetic Gear Lube 16 Gallon Keg
	P5007326								Performance Mobil 1, 75W - 90 Synthetic Gear Lube
	05170826AA	1							[EN0,DMD,DSA] Tag 52114769AA
	04874469								Mopar SAE 75W-140 Synthetic Gear and Axle Lube Quart
	68003055AA								Mopar SAE 75W-140 Synthetic Gear and Axle Lube 16 Gallon Keg
	05010320AA								Mopar SAE 75W-90 Synthetic Gear Lube Quart
	68003056								Mopar SAE 75W-90 Synthetic Gear Lube 16 Gallon Keg
	P5007326								Performance Mobil 1, 75W - 90 Synthetic Gear Lube
	05170827AA	1							[EN0,DME] Tag 52114772AA
	04874469								Mopar SAE 75W-140 Synthetic Gear and Axle Lube Quart
	68003055AA								Mopar SAE 75W-140 Synthetic Gear and Axle Lube 16 Gallon Keg
	05010320AA								Mopar SAE 75W-90 Synthetic Gear Lube Quart
	68003056								Mopar SAE 75W-90 Synthetic Gear Lube 16 Gallon Keg

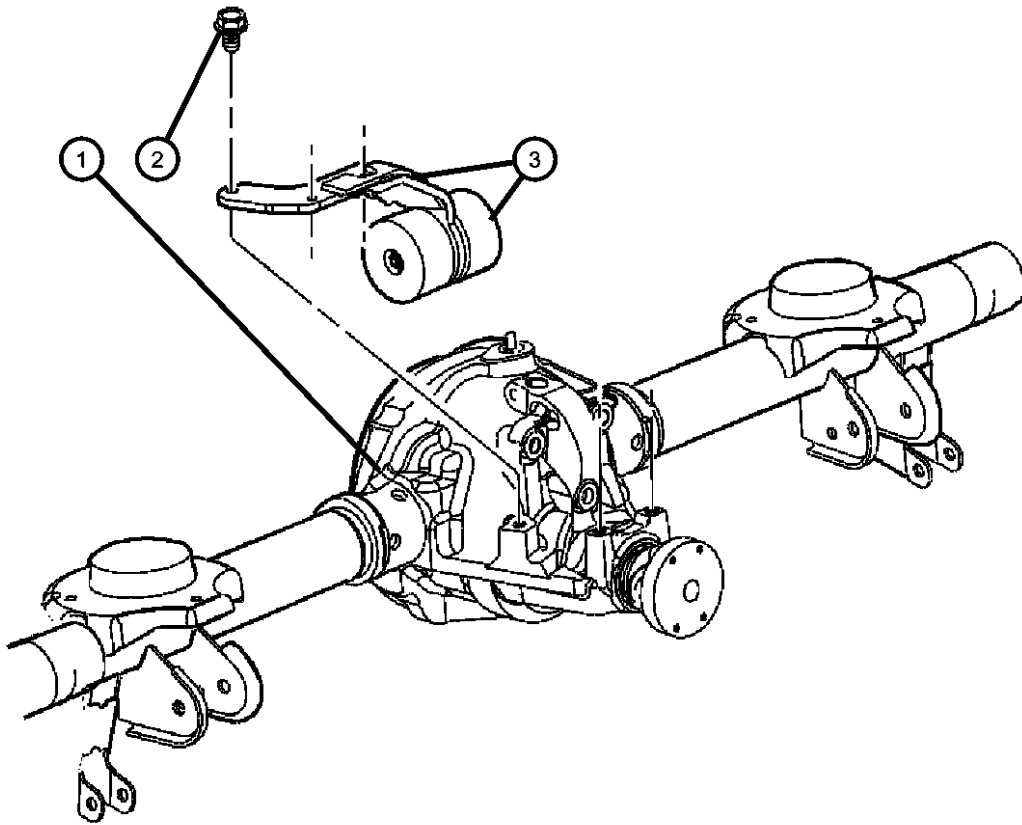


<b>LIBERTY (KJ)</b>				
SERIES	LINE	BODY	ENGINE	TRANSMISSION
P = LIMITED	J = JEEP - 4WD	74 = SPORT UTILITY 4-DR	ED1 = Engine - 2.4L 4 Cyl DOHC 16v SMPI	DGQ = Transmission-5-Spd Automatic 5-45RFE
H = SPORT	U = JEEP - 4WD (RHD)		EKG = Engine - 3.7L V6	DG6 = Transmission-4-Spd. Automatic, 42RLE
M = RENEGADE	T = JEEP - 2WD		ENR = Engine - 2.8L 4 Cyl Turbo Diesel	DEH = Transmission-6-Speed Manual, NSG370
			ENO = 4CYL turbo diesel	DG0 = Transmissions - All Automatic
				DBB = ALL MANUAL TRANSMISSIONS

AR = use ase required - = Non illustrated part

**Axle Assembly,Rear,Corporate 8.25 [DRA]  
Figure 3-110**

ITEM	PART NUMBER	QTY	LINE	SERIES	BODY	ENGINE	TRANS	TRIM	DESCRIPTION
	P5007326								Performance Mobil 1, 75W - 90 Synthetic Gear Lube
	05170851AA	1							[EN0,DME,DSA] Tag
	04874469								52114771AA
	68003055AA								Mopar SAE 75W-140 Synthetic Gear and Axle Lube Quart
	05010320AA								Mopar SAE 75W-140 Synthetic Gear and Axle Lube 16 Gallon Keg
	68003056								Mopar SAE 75W-90 Synthetic Gear Lube Quart
	P5007326								Mopar SAE 75W-90 Synthetic Gear Lube 16 Gallon Keg
2	06507369AA	3							Performance Mobil 1, 75W - 90 Synthetic Gear Lube
3	52111360AE	1							BOLT, Axle Damper, Mounting
									DAMPER, Axle



**LIBERTY (KJ)**

SERIES      LINE  
P = LIMITED      J = JEEP - 4WD  
H = SPORT      U = JEEP - 4WD (RHD)  
M = RENEGADE      T = JEEP - 2WD

BODY  
74 = SPORT UTILITY 4-DR

ENGINE  
ED1 = Engine - 2.4L 4 Cyl DOHC 16v SMPI  
EKG = Engine - 3.7L V6  
ENR = Engine - 2.8L 4 Cyl Turbo Diesel  
ENO = 4CYL turbo diesel

TRANSMISSION  
DGQ = Transmission-5-Spd Automatic 5-45RFE  
DG6 = Transmission-4-Spd. Automatic, 42RLE  
DEH = Transmission-6-Speed Manual, NSG370  
DG0 = Transmissions - All Automatic  
DBB = ALL MANUAL TRANSMISSIONS

AR = use ase required - = Non illustrated part

2005 KJ

Axle,Rear,with Differential and Housing,Corporate 8.25 [DRA]  
Figure 3-210

ITEM	PART NUMBER	QTY	LINE	SERIES	BODY	ENGINE	TRANS	TRIM	DESCRIPTION
------	-------------	-----	------	--------	------	--------	-------	------	-------------

Note: Sales Codes;  
[DMD]=Axle Ratio - 3.55  
[DME] = Axle Ratio - 3.73  
[DMF]= Axle Ratio - 4.10  
[DRA] =Axle - Rear, Corporate 8.25  
[DSA]=Axle-Trac-Lok Differential

1	06028041	1							NUT, Pinion Yoke
2	02070117	1							WASHER, Pinion Yoke
3	52105065	1							FLANGE, Driveshaft Yoke
4	52070339AB	1							SEAL, Drive Pinion
5	02070316	1							BEARING, Drive PinionFront
6	02070317	1							CUP, Pinion BearingFront
7	05170327AA	1							HOUSING, Axle
8	04137696AB	1							BOLT, Axle Vent
9	06036556AA	8							STUD, Axle Housing to Backing Plate, Mounting
10	03507898AB	2							BEARING, Wheel
11	52070427AB	2							SEAL, Axle Drive Shaft
12	52070350AB	2							SHAFT, Axle
13	06036123AA	10							STUD, Wheel
14	03432695	4							SCREW, Hex Head, .50-13x2.38
15	05013477AA	1	J, T, U				74		SEALANT, RTV
16	03723681AC	1							COVER, Differential
17	06033043	10							SCREW AND WASHER, Hex Flange Head, .312-18x.562, Differential Cover, Mounting
18	52070428AA	1							PLUG, Differential Cover
19	03507876AB	2							ADJUSTER, Differential Bearing
20	03723859	2							LOCK, Differential Bearing
21	06023092	2							SCREW AND WASHER, Hex Head, .25-20x.50, Differential Bearing Lock, Mounting
22	03723569	2							CUP, Differential Side
23	01790541	2							BEARING, Differential
24	06507634AA	10							BOLT, Ring GearMounting

LIBERTY (KJ)

SERIES LINE  
P = LIMITED J = JEEP - 4WD  
H = SPORT U = JEEP - 4WD (RHD)  
M = RENEGADE T = JEEP - 2WD

BODY  
74 = SPORT UTILITY 4-DR

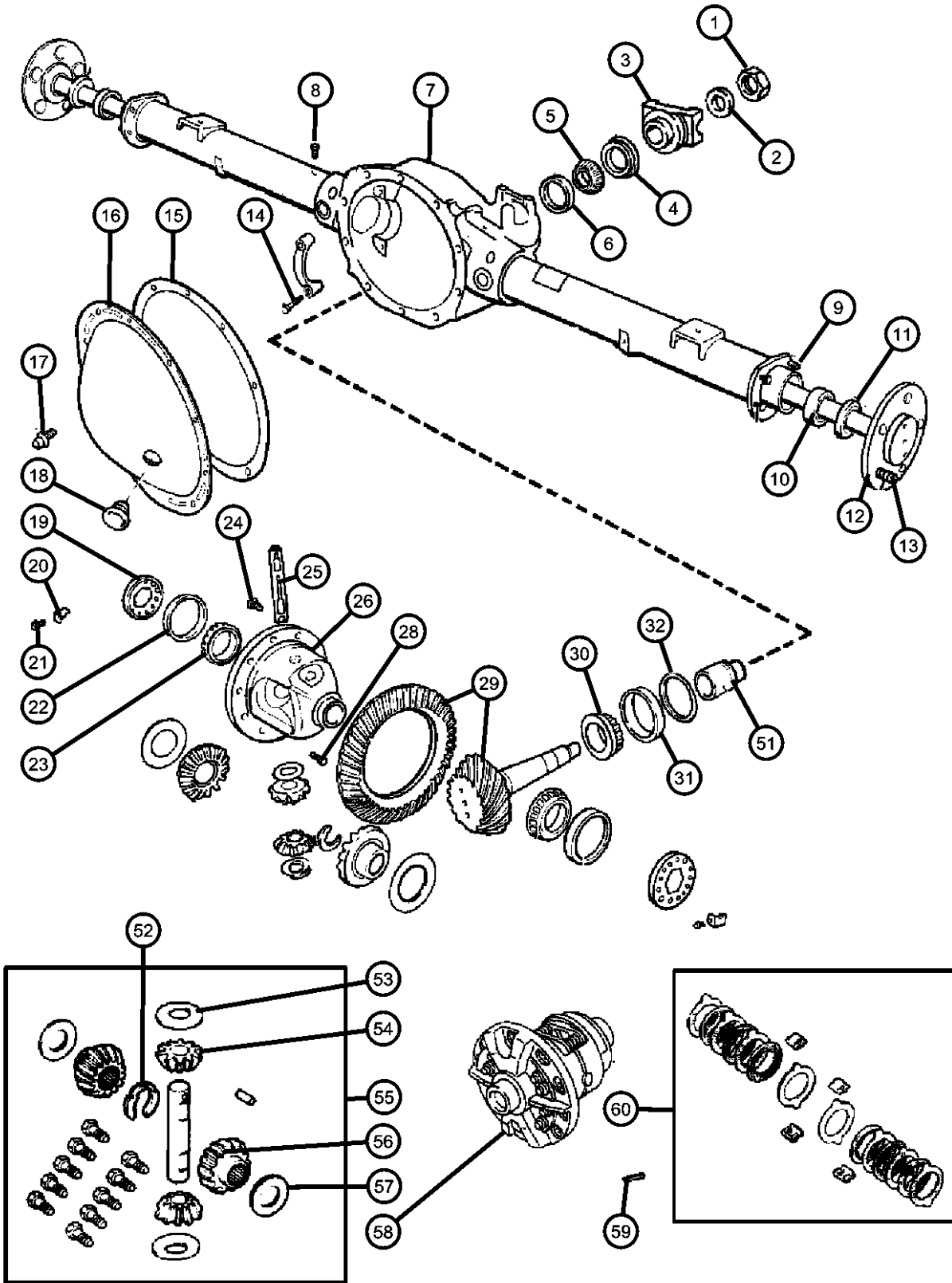
ENGINE  
ED1 = Engine - 2.4L 4 Cyl DOHC 16v SMPI  
EKG = Engine - 3.7L V6  
ENR = Engine - 2.8L 4 Cyl Turbo Diesel  
ENO = 4CYL turbo diesel

TRANSMISSION  
DGQ = Transmission-5-Spd Automatic 5-45RFE  
DG6 = Transmission-4-Spd. Automatic, 42RLE  
DEH = Transmission-6-Speed Manual, NSG370  
DG0 = Transmissions - All Automatic  
DBB = ALL MANUAL TRANSMISSIONS

AR = use ase required - = Non illustrated part

2005 KJ

Axle,Rear,with Differential and Housing,Corporate 8.25 [DRA]  
Figure 3-210



ITEM	PART NUMBER	QTY	LINE	SERIES	BODY	ENGINE	TRANS	TRIM	DESCRIPTION
25	52069657	1							SHAFT, Differential Pinion, Also Serviced In Differential Gear Package, Without [DSA]
26	52114057AA	1							CASE, Differential, Without [DSA] With Internal Parts
-27	04384226	1							TONE RING, Sensor
28	03507724	1							SCREW, Hex Head, .312-18x1.80, Also Serviced in Differential Gear Package, Without [DSA] Differential Pinion Shaft, Mounting
29									GEAR KIT, Ring And Pinion
	04856540AC	1	J, T, U		74				[DMD] Includes Items 1,2,5,6,24,30,31,51
	05140914AB	1							[DMF] Includes Items 1,24,51
	05143812AA	1							[DME] Includes Items 1,24,51
30	02800484	1							BEARING, Drive PinionRear
31	02800485	1							CUP, Pinion BearingRear
32	03723520	AR							SHIM, Drive Pinion Bearing, .020
-33	03723521	AR							SHIM, Drive Pinion Bearing, .021
-34	03723522	AR							SHIM, Drive Pinion Bearing, .022
-35	03723523	AR							SHIM, Drive Pinion Bearing, .023
-36	03723524	AR							SHIM, Drive Pinion Bearing, .024
-37	03723525	AR							SHIM, Drive Pinion Bearing, .025
-38	03723526	AR							SHIM, Drive Pinion Bearing, .026
-39	03723527	AR							SHIM, Drive Pinion Bearing, .027
-40	03723528	AR							SHIM, Drive Pinion Bearing, .028
-41	03723529	AR							SHIM, Drive Pinion Bearing, .029
-42	03723530	AR							SHIM, Drive Pinion Bearing, .030
-43	03723531	AR							SHIM, Drive Pinion Bearing, .031
-44	03723532	AR							SHIM, Drive Pinion Bearing, .032
-45	03723533	AR							SHIM, Drive Pinion Bearing, .033
-46	03723534	AR							SHIM, Drive Pinion Bearing, .034
-47	03723535	AR							SHIM, Drive Pinion Bearing, .035
-48	03723536	AR							SHIM, Drive Pinion Bearing, .036
-49	03723537	AR							SHIM, Drive Pinion Bearing, .037

LIBERTY (KJ)

SERIES LINE  
P = LIMITED J = JEEP - 4WD  
H = SPORT U = JEEP - 4WD (RHD)  
M = RENEGADE T = JEEP - 2WD

BODY  
74 = SPORT UTILITY 4-DR

ENGINE  
ED1 = Engine - 2.4L 4 Cyl DOHC 16v SMPI  
EKG = Engine - 3.7L V6  
ENR = Engine - 2.8L 4 Cyl Turbo Diesel  
ENO = 4CYL turbo diesel

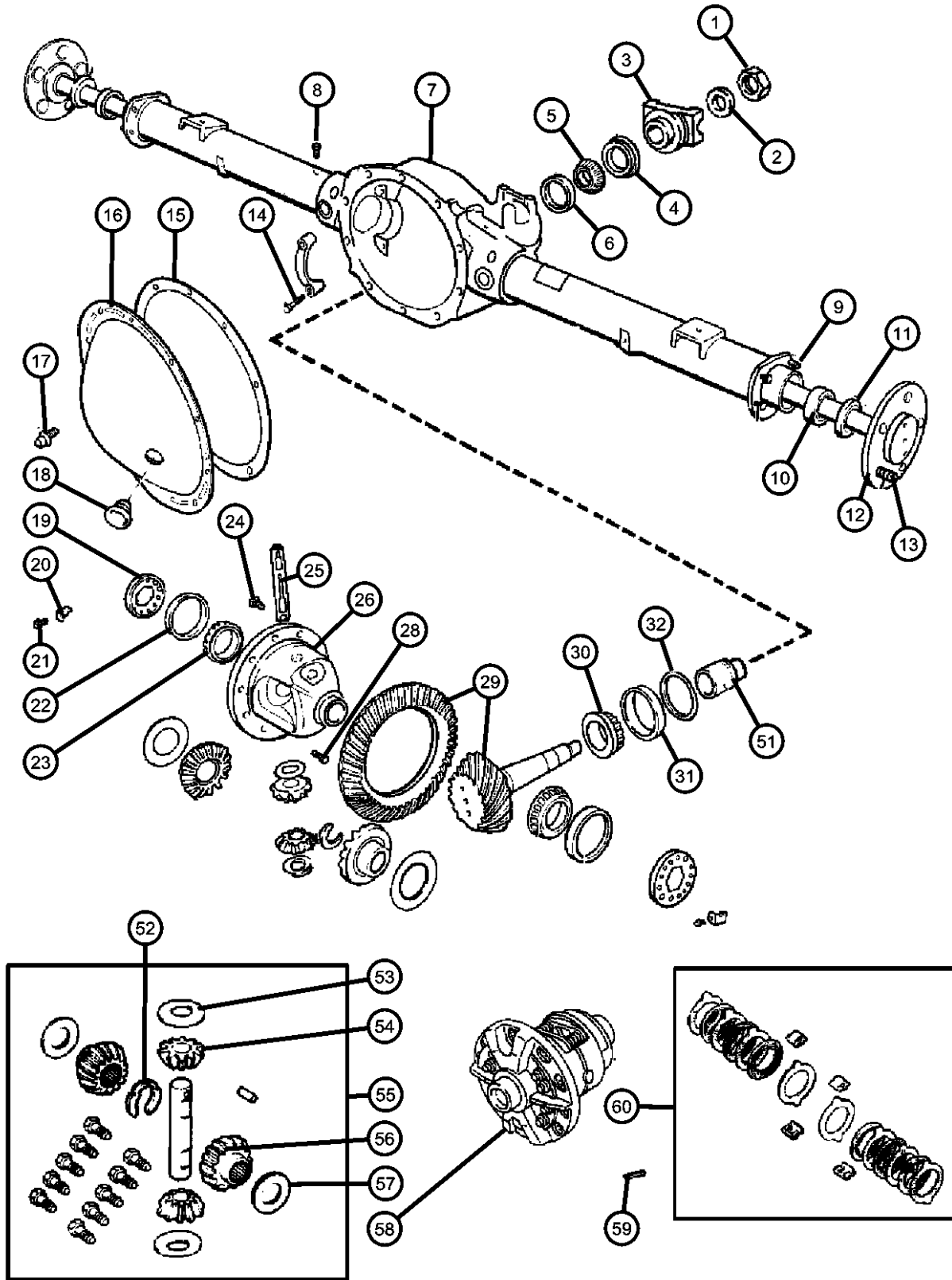
TRANSMISSION  
DGQ = Transmission-5-Spd Automatic 5-45RFE  
DG6 = Transmission-4-Spd. Automatic, 42RLE  
DEH = Transmission-6-Speed Manual, NSG370  
DG0 = Transmissions - All Automatic  
DBB = ALL MANUAL TRANSMISSIONS

AR = use ase required - = Non illustrated part

2005 KJ

Axle,Rear,with Differential and Housing,Corporate 8.25 [DRA]  
Figure 3-210

ITEM	PART NUMBER	QTY	LINE	SERIES	BODY	ENGINE	TRANS	TRIM	DESCRIPTION
-50	03723538	AR							SHIM, Drive Pinion Bearing, .038
51	03507575	1							SPACER, Drive Pinion Bearing, Crush
52	52069426	2							RETAINER, Axle Shaft
53	02852912	2							WASHER, Pinion Gear, Also Serviced In Differential Gear Package, Without [DSA]
54	02852912	2							PINION, Differential, Serviced In Differential Gear Package, (NOT SERVICED)
55	04883087AB	1							GEAR PACKAGE, Differential, Without [DSA]
56	04883087AB	1							GEAR, Differential, Serviced In Differential Gear Package, (NOT SERVICED)
57	04883085	1							WASHER PACKAGE, Side Gear Thrust, Also Serviced In Differential Gear Package, Without [DSA]
58	52098778AE	1							CASE, Differential, With [DSA] With Internal Parts
59	68004687AA	1							SCREW, Hex Head, With [DSA]
60	05252506	1							DISC AND PLATE KIT, Differential, With [DSA]



LIBERTY (KJ)

SERIES LINE  
P = LIMITED J = JEEP - 4WD  
H = SPORT U = JEEP - 4WD (RHD)  
M = RENEGADE T = JEEP - 2WD

BODY  
74 = SPORT UTILITY 4-DR

ENGINE  
ED1 = Engine - 2.4L 4 Cyl DOHC 16v SMPI  
EKG = Engine - 3.7L V6  
ENR = Engine - 2.8L 4 Cyl Turbo Diesel  
ENO = 4CYL turbo diesel

TRANSMISSION  
DGQ = Transmission-5-Spd Automatic 5-45RFE  
DG6 = Transmission-4-Spd. Automatic, 42RLE  
DEH = Transmission-6-Speed Manual, NSG370  
DG0 = Transmissions - All Automatic  
DBB = ALL MANUAL TRANSMISSIONS

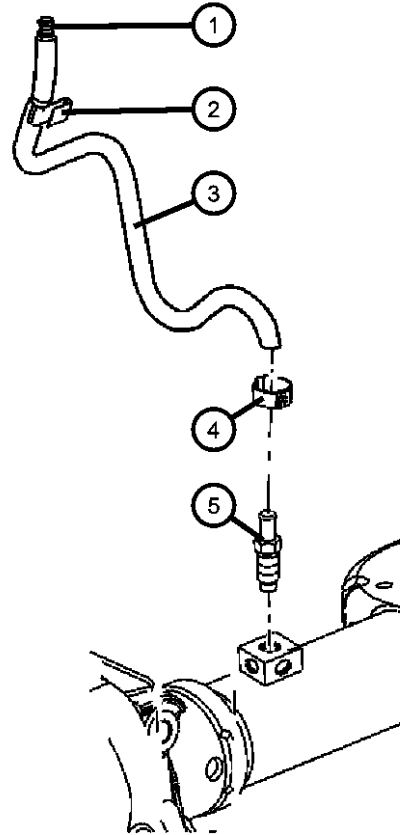
AR = use ase required - = Non illustrated part

2005 KJ



Vent,Rear Axle  
Figure 3-310

ITEM	PART NUMBER	QTY	LINE	SERIES	BODY	ENGINE	TRANS	TRIM	DESCRIPTION
1	J5352955	1							VENT, AxleUpper
2	06032633AB	1							CLIP, Vent Tube, Axle Vent Hose, Upper
3	HFV00516AB	1							HOSE, Fuel And Vapor, 25 Foot Roll 5/16"
4	06503573	1							CLAMP, Hose, To Axle Vent Bolt, Lower
5	04137696AB	1							BOLT, Axle Vent



LIBERTY (KJ)

SERIES      LINE  
P = LIMITED      J = JEEP - 4WD  
H = SPORT      U = JEEP - 4WD (RHD)  
M = RENEGADE      T = JEEP - 2WD

BODY  
74 = SPORT UTILITY 4-DR

ENGINE  
ED1 = Engine - 2.4L 4 Cyl DOHC 16v SMPI  
EKG = Engine - 3.7L V6  
ENR = Engine - 2.8L 4 Cyl Turbo Diesel  
ENO = 4CYL turbo diesel

TRANSMISSION  
DGQ = Transmission-5-Spd Automatic 5-45RFE  
DG6 = Transmission-4-Spd. Automatic, 42RLE  
DEH = Transmission-6-Speed Manual, NSG370  
DG0 = Transmissions - All Automatic  
DBB = ALL MANUAL TRANSMISSIONS

AR = use ase required - = Non illustrated part

2005 KJ

# Group - 4

## Parking Brake

### Group - 4 Parking Brake

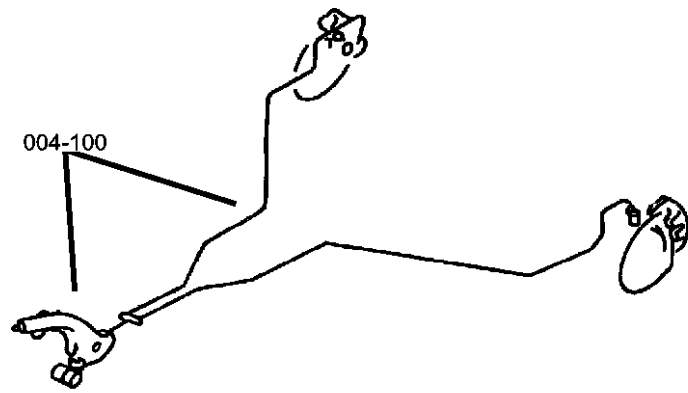
Illustration Title

Group-Fig. No.

#### Parking Brake Lever and Cables

Parking Brake Lever and Cables..... Fig. 4 - 110

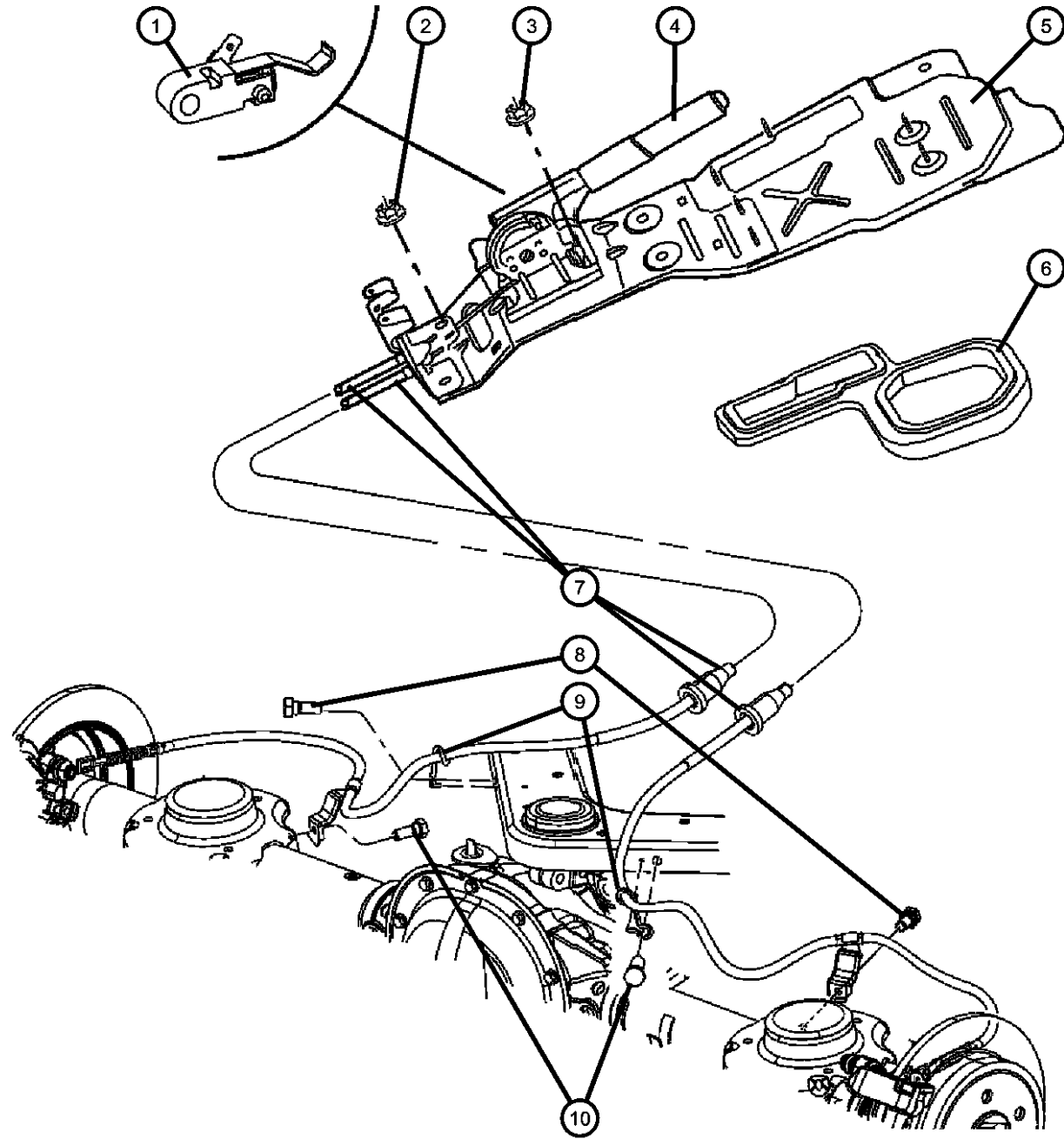
Parking Brake Assembly,Rear,Disc..... Fig. 4 - 120



**004-100**  
Parking Brake Lever and Cables



**Parking Brake Lever and Cables**  
**Figure 4-110**



ITEM	PART NUMBER	QTY	LINE	SERIES	BODY	ENGINE	TRANS	TRIM	DESCRIPTION
Note:Sales Codes; [DEH]=Transmission-6-Speed Manual NSG 370 [DG0]=Transmissions - All Automatic									
1	05209922	1							SWITCH, Parking Brake
2	34201416	4							NUT, Hex Flange, M8x1.25, Park Brake Sled to Floor Pan, Mounting
3	06104716AA	4							NUT, Park Brake Lever to Sled, Mounting
4	52128860AC	1							LEVER, Park Brake, Includes Front Cable and Equalizer
5									BRACKET, Parking Brake
	52128714AB	1							[DG0]
	52128917AA	1							[DEH]
6									SEAL, Parking Brake Housing
	52128503AA	1							[DG0]
	52128918AA	1							[DEH]
7									CABLE, Parking Brake
	52128510AE	1							Right
	52128511AD	1							Left
8	52128511AD	1							SCREW, (NOT SERVICED)
9									CLIP, Cable Routing
	52128612AB	1							Holds Cable to UCA, Right
	52128613AB	1							Holds Cable to UCA, Left
10	52128613AB	1							SCREW, Hex Flange Head, M8x1.25x25.00, (NOT SERVICED),

**LIBERTY (KJ)**

SERIES      LINE  
P = LIMITED      J = JEEP - 4WD  
H = SPORT      U = JEEP - 4WD (RHD)  
M = RENEGADE      T = JEEP - 2WD

BODY  
74 = SPORT UTILITY 4-DR

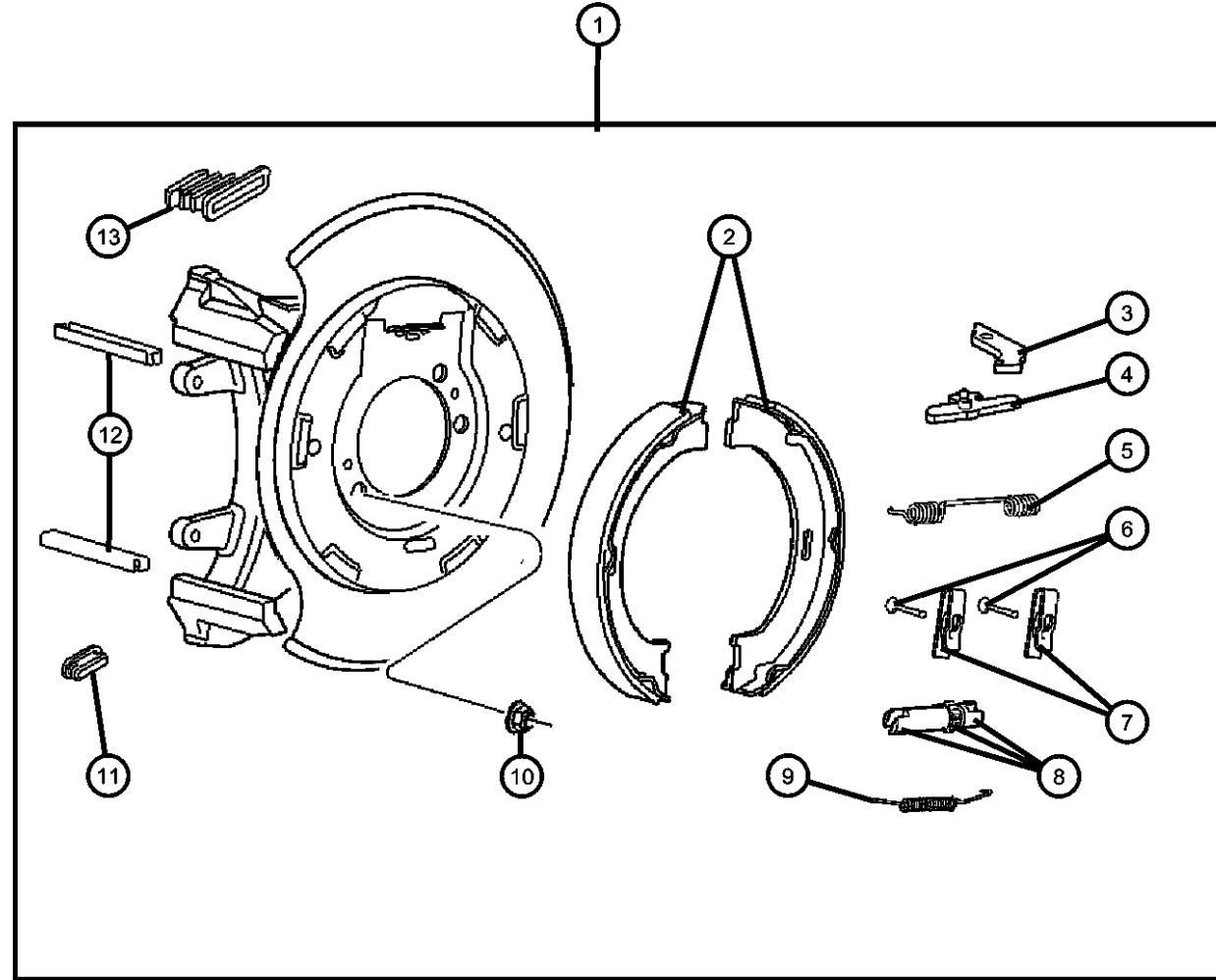
ENGINE  
ED1 = Engine - 2.4L 4 Cyl DOHC 16v SMPI  
EKG = Engine - 3.7L V6  
ENR = Engine - 2.8L 4 Cyl Turbo Diesel  
ENO = 4CYL turbo diesel

TRANSMISSION  
DGQ = Transmission-5-Spd Automatic 5-45RFE  
DG6 = Transmission-4-Spd. Automatic, 42RLE  
DEH = Transmission-6-Speed Manual, NSG370  
DG0 = Transmissions - All Automatic  
DBB = ALL MANUAL TRANSMISSIONS

AR = use ase required - = Non illustrated part

2005 KJ

**Parking Brake Assembly,Rear,Disc  
Figure 4-120**



ITEM	PART NUMBER	QTY	LINE	SERIES	BODY	ENGINE	TRANS	TRIM	DESCRIPTION
1	52128414AB	1							ADAPTER, Parking Brake Right
	52128415AB	1							Left
2	05093390AA	1							SHOE AND LINING KIT, Parking Brake
	BHKP7328								Mopar Parking Brake Hardware Kit
3	05093392AA	1							LEVER, Park Brake Adjusting
4									LEVER, Park Brake
	05093334AA	1							Right
	05093338AA	1							Left
5	05093393AA	1							SPRING, Park Brake Shoe Return
6	04762126	2							PIN, Brake Shoe Hold Down
7	04762125	2							CLIP, Parking Brake Hold Down
8	05093391AA	1							ADJUSTER, Parking Brake
9	04762116	1							SPRING, Park Brake Shoe Return
10	06036159AA	8							NUT, Hex, .375-24, Parking Brake Adapter to Axle Housing, Mounting
11	04762121	1							PLUG, Brake Adjusting Hole
12	05093394AB	4							SLIPPER, Caliper
13	05093395AA	1							BOOT, Parking Brake Lever

**LIBERTY (KJ)**

SERIES      LINE  
P = LIMITED      J = JEEP - 4WD  
H = SPORT      U = JEEP - 4WD (RHD)  
M = RENEGADE      T = JEEP - 2WD

BODY  
74 = SPORT UTILITY 4-DR

ENGINE  
ED1 = Engine - 2.4L 4 Cyl DOHC 16v SMPI  
EKG = Engine - 3.7L V6  
ENR = Engine - 2.8L 4 Cyl Turbo Diesel  
ENO = 4CYL turbo diesel

TRANSMISSION  
DGQ = Transmission-5-Spd Automatic 5-45RFE  
DG6 = Transmission-4-Spd. Automatic, 42RLE  
DEH = Transmission-6-Speed Manual, NSG370  
DG0 = Transmissions - All Automatic  
DBB = ALL MANUAL TRANSMISSIONS

AR = use ase required    - = Non illustrated part

2005 KJ

# Group - 5

## Service Brakes

### Group - 5 Service Brakes

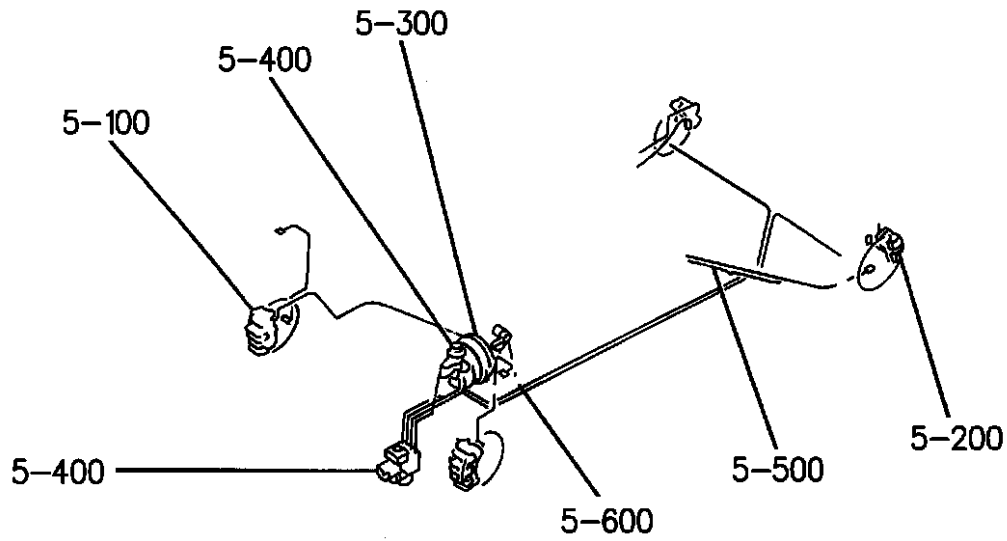


Illustration Title

Group-Fig. No.

#### Front Brakes

Brakes,Front ..... Fig. 5 - 110

#### Rear Brakes

Brakes,Rear,Disc ..... Fig. 5 - 210

#### Power Brake Booster

Booster,Power Brake ..... Fig. 5 - 310

#### Brake Master Cylinder

Master Cylinder,Brake ..... Fig. 5 - 410

#### Brake Lines and Hoses

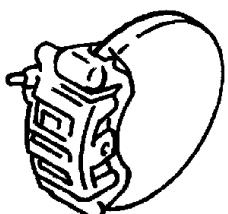
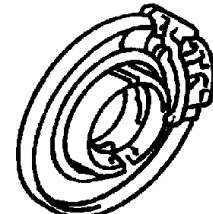
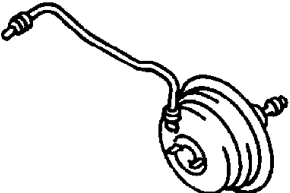
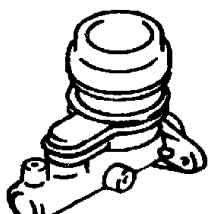
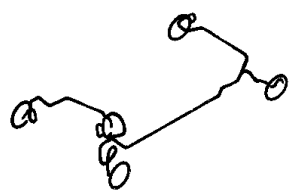

Brake Lines,Front,LHD ..... Fig. 5 - 510

Brake Lines,Front,RHD ..... Fig. 5 - 520

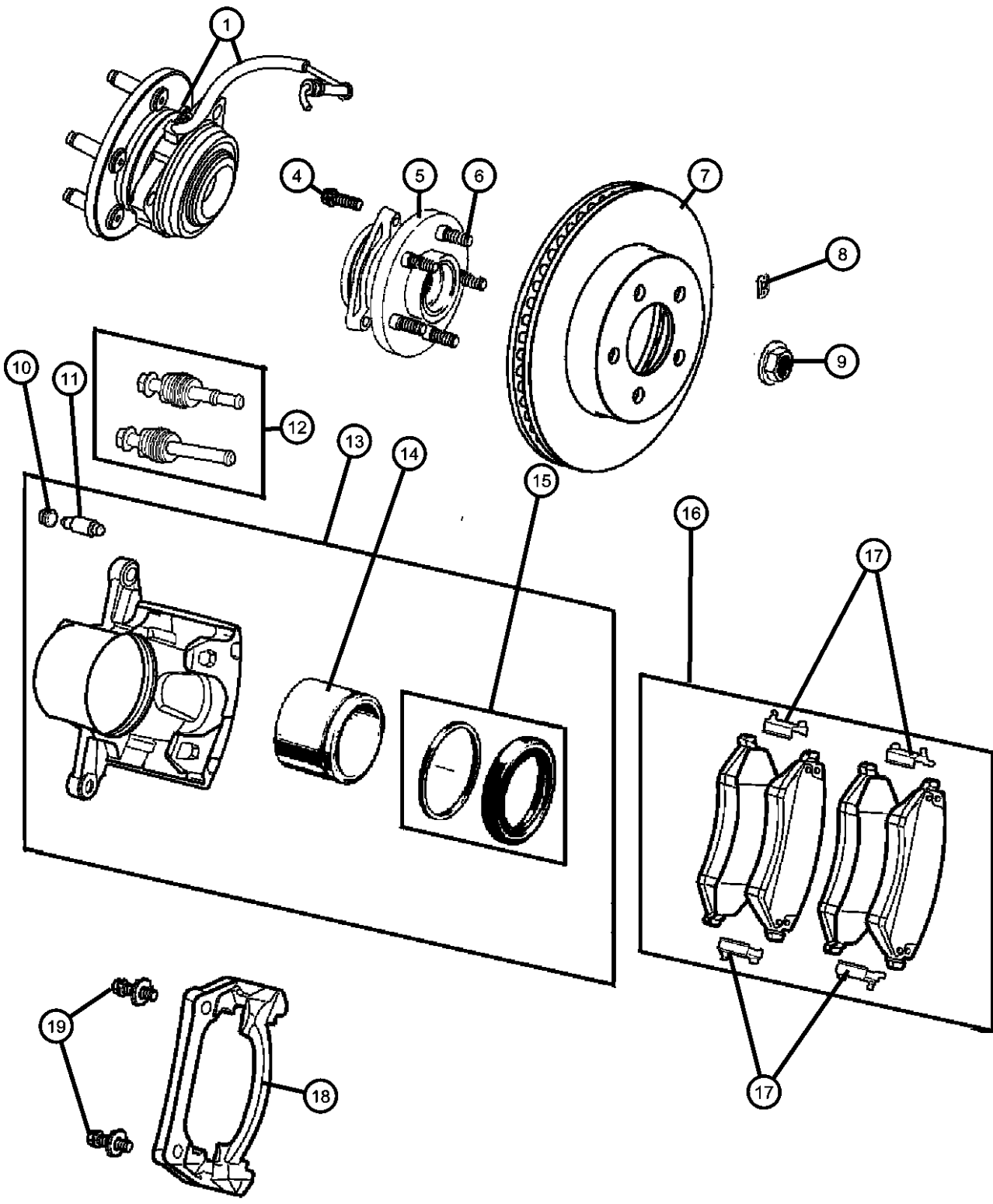
Brake Lines,Rear ..... Fig. 5 - 530

#### Brake Pedals

Pedals,Brake and Clutch ..... Fig. 5 - 610

<p><b>005-100</b> Front Brakes</p> 	<p><b>005-200</b> Rear Brakes</p> 	<p><b>005-300</b> Power Brake Booster</p> 	<p><b>005-400</b> Brake Master Cylinder</p> 
<p><b>005-500</b> Brake Lines and Hoses</p> 	<p><b>005-600</b> Brake Pedals</p> 		

**Brakes,Front**  
**Figure 5-110**



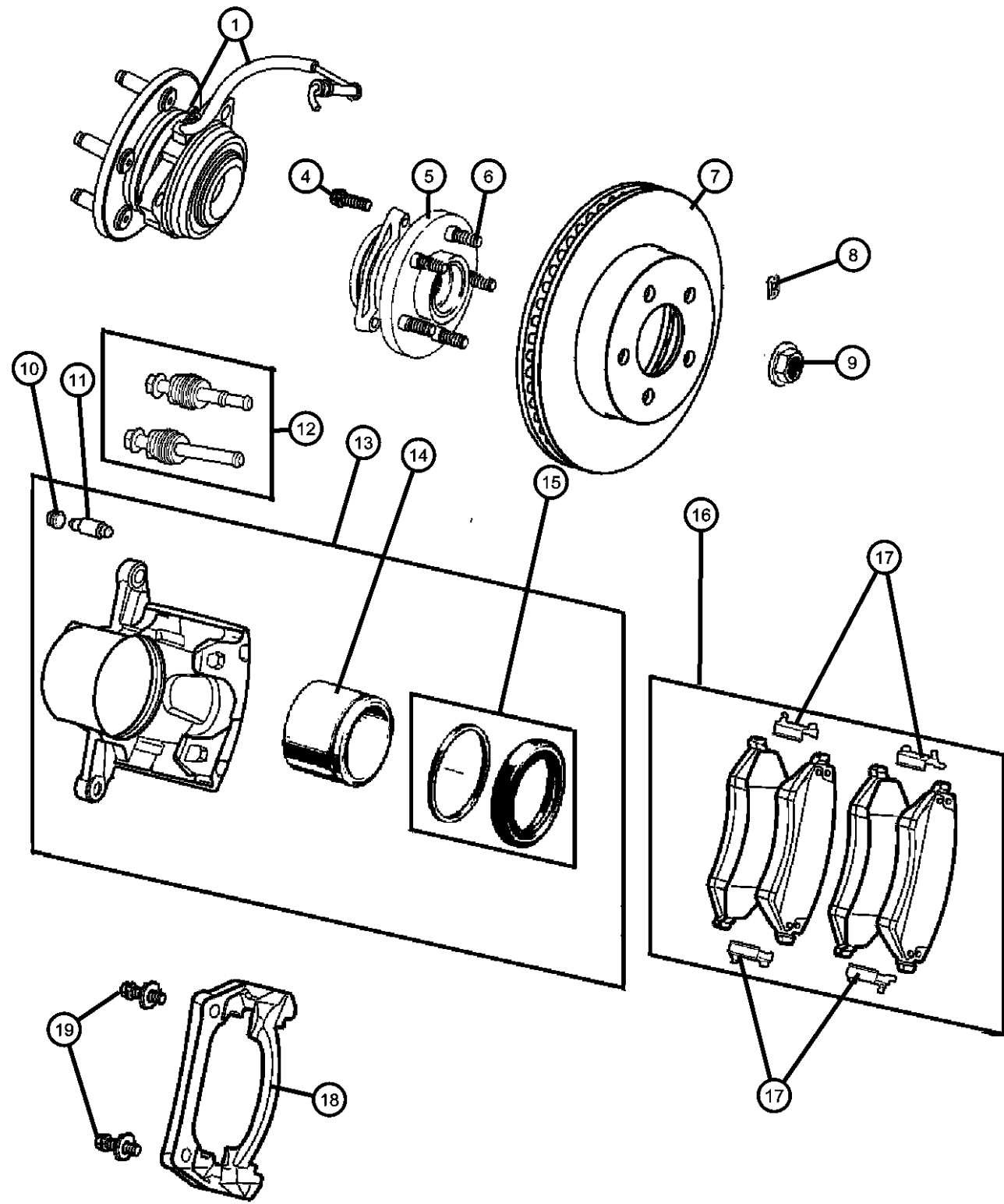
ITEM	PART NUMBER	QTY	LINE	SERIES	BODY	ENGINE	TRANS	TRIM	DESCRIPTION
Note:Sales Codes; [BRE]=Brakes - 4 Wheel Disc [BRY]=Brakes - Anti-Lock 4 Wheel Disc									
1	52128694AD	1							SENSOR, Anti-Lock Brakes [BRY], Right
	52128695AD	1							[BRY], Left
-2	05175374AA	1							BOLT, ABS Sensor, Mounting
-3	52128584AA	1							CLIP, Wiring, [BRY] Sensor Wire to Knuckle, Right or Left
4	06503088	3							BOLT, Knuckle to Bearing Attaching, M12 x 1.75 x 43.00Mounting
5	52128352AB	1							HUB AND BEARING, Brake [BRE], Right or Left
	52128692AD	1							[BRY], Right
	52128693AD	1							[BRY], Left
6	06036388AA	5							BOLT, Hub and Rotor
7	52128247AA	1							ROTOR, Brake
	V5018247AB								Mopar V-Line Alternative Brake Rotors
8	06026430	1							NUT, Push, Brake Rotor Retainer
9	06506454AA	2			J, U				NUT, Hex, Halfshaft Retention
10	04238717	1							CAP, Bleeder
11	03780788	1							SCREW, Bleeder
12	05019987AA	1							PIN KIT, Disc Brake
13	05066422AA	1							CALIPER, Disc Brake Right
	VK642223AA								Mopar Loaded Brake Caliper Kit (2 Calipers, Brake Friction) Left
	05066423AA	1							Mopar Loaded Brake Caliper Kit (2 Calipers, Brake Friction) Left
	VK642223AA								Mopar Loaded Brake Caliper Kit (2 Calipers, Brake Friction) Left
14	05066425AA	1							PISTON, Brake
15	05066426AA	1							BOOT AND SEAL, Disc Brake
16	05066427AA	1							PAD KIT, Front Disc Brake [BRE,BRY] C,M,U Without [ABB]

**LIBERTY (KJ)**

SERIES	LINE	BODY	ENGINE	TRANSMISSION
P = LIMITED	J = JEEP - 4WD	74 = SPORT UTILITY 4-DR	ED1 = Engine - 2.4L 4 Cyl DOHC 16v SMPI	DGQ = Transmission-5-Spd Automatic 5-45RFE
H = SPORT	U = JEEP - 4WD (RHD)		EKG = Engine - 3.7L V6	DG6 = Transmission-4-Spd. Automatic, 42RLE
M = RENEGADE	T = JEEP - 2WD		ENR = Engine - 2.8L 4 Cyl Turbo Diesel	DEH = Transmission-6-Speed Manual, NSG370
			ENO = 4CYL turbo diesel	DG0 = Transmissions - All Automatic DBB = ALL MANUAL TRANSMISSIONS

AR = use ase required - = Non illustrated part

Brakes,Front  
Figure 5-110



ITEM	PART NUMBER	QTY	LINE	SERIES	BODY	ENGINE	TRANS	TRIM	DESCRIPTION
	VKJ08247								Make It New Brake Kits
	V3016427								Mopar V-Line Alternative Part Ceramic
	VOE08247								Make It Original Brake Kit
	VCKJ8247								Make It Ceramic Brake Kit
	V1013427								Mopar V-Line Alternative Part
	BHKH5665								Mopar V-Line Alternative Part Disc Hardware
	BHKH5082								Mopar V-Line Alternative Part Caliper Bolts
	VK642223AA								Mopar Loaded Brake Caliper Kit (2 Calipers, Brake Friction) [BRE,BRY,ABB] B
	05096349AA	1	J, U						Mopar V-Line Alternative Part Disc Hardware
	BHKH5665								Mopar V-Line Alternative Part Disc Hardware
	BHKH5082								Mopar V-Line Alternative Part Caliper Bolts
	V1016349								Mopar V-Line Alternative Part Mexico Only
17	05019985AB	1							CLIP PACKAGE, Contains 4 Clips
18	05066428AA	1							ADAPTER, Disc Brake CaliperRight or Left
19	06102149AA	2							BOLT, Caliper to Adapter, Mounting

LIBERTY (KJ)

SERIES LINE  
P = LIMITED J = JEEP - 4WD  
H = SPORT U = JEEP - 4WD (RHD)  
M = RENEGADE T = JEEP - 2WD

BODY  
74 = SPORT UTILITY 4-DR

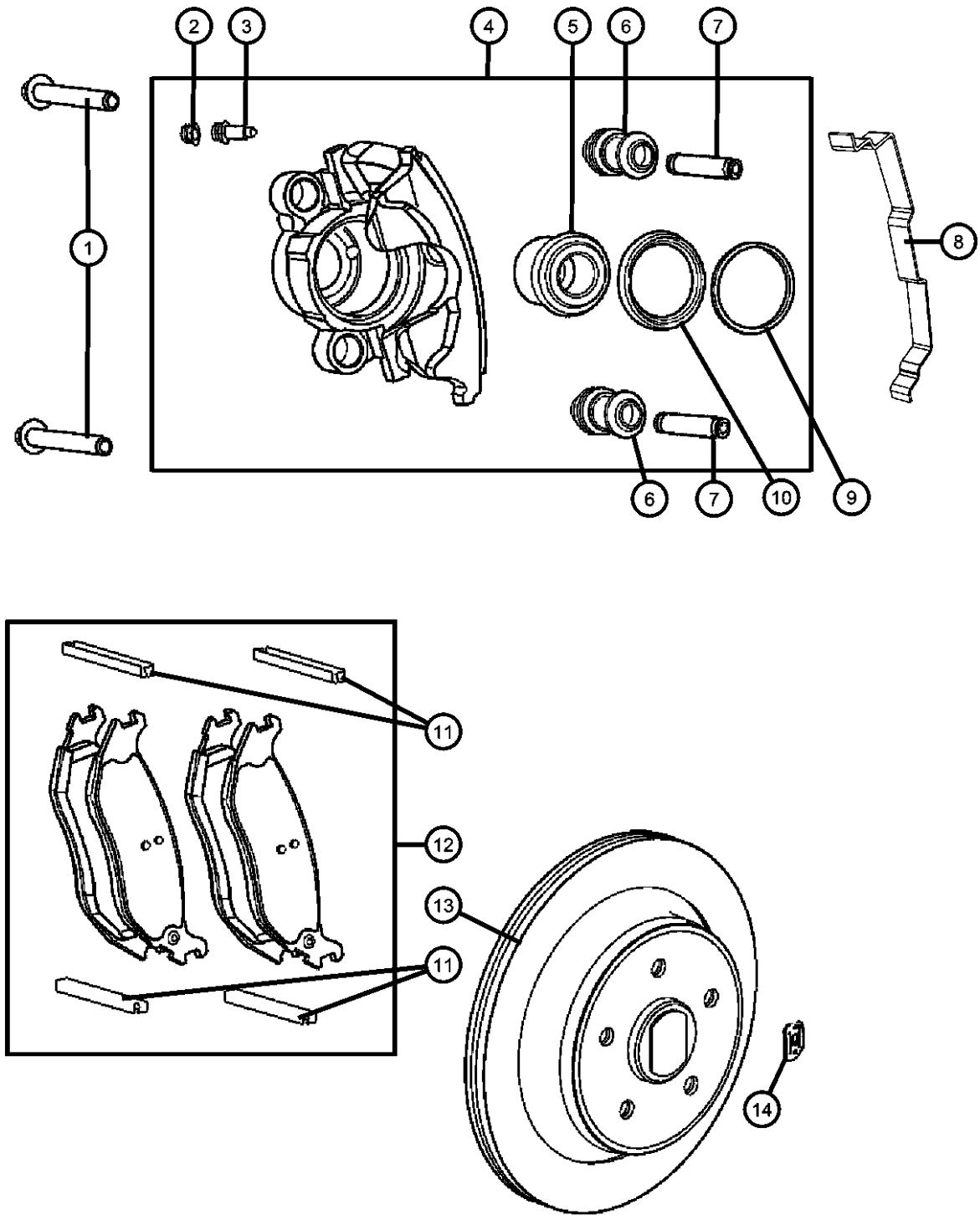
ENGINE  
ED1 = Engine - 2.4L 4 Cyl DOHC 16v SMPI  
EKG = Engine - 3.7L V6  
ENR = Engine - 2.8L 4 Cyl Turbo Diesel  
ENO = 4CYL turbo diesel

TRANSMISSION  
DGQ = Transmission-5-Spd Automatic 5-45RFE  
DG6 = Transmission-4-Spd. Automatic, 42RLE  
DEH = Transmission-6-Speed Manual, NSG370  
DG0 = Transmissions - All Automatic  
DBB = ALL MANUAL TRANSMISSIONS

AR = use ase required - = Non illustrated part

2005 KJ

Brakes,Rear,Disc  
Figure 5-210



ITEM	PART NUMBER	QTY	LINE	SERIES	BODY	ENGINE	TRANS	TRIM	DESCRIPTION
1	06507603AA	4							PIN, Caliper
2	05093278AA	1							CAP, Bleeder
3									BLEEDER SCREW, Brake
	05179732AA	1							From 04-19-05-Metric Threads
	J0920463	1							Up To 04-18-05-English Threads
4									CALIPER, Disc Brake
	05093274AA	1							Up To 04-18-05, Right
	VK327479AA								Mopar Loaded Brake Caliper Kit (2 Calipers, Brake Friction)
	05093279AA	4							Up To 04-18-05, Left
	VK327479AA								Mopar Loaded Brake Caliper Kit (2 Calipers, Brake Friction)
	05179730AA	1							From 04-19-05, Right
	VK327479AA								Mopar Loaded Brake Caliper Kit (2 Calipers, Brake Friction)
	05179731AA	1							From 04-19-05, Left
	VK327479AA								Mopar Loaded Brake Caliper Kit (2 Calipers, Brake Friction)
5	05093275AA	1							PISTON, Brake
6	04762106	2							BUSHING, Caliper
7									SLEEVE, Brake Caliper
	04762105	2							Up To 04-18-05
	05179733AA	2	J, T, U			74			From 04-19-05
8	52128868AB	1	J, T, U			74			STRAP, Caliper Spring
9	05093276AA	1							SEAL, Caliper Piston
10	05093277AA	1							BOOT, Brake Piston
11	05093394AB	4							SLIPPER, Caliper
12									PAD KIT, Disc Brake
	05083882AF	1							Up To 04-18-05
	V4010981								Mopar V-Line Alternative Part Ceramic
	V2013882								Mopar V-Line Alternative Part
	VRKJ3882AA								Make it New Rear (Up to 4-18-05)
	05179242AB	1							From 04-19-05

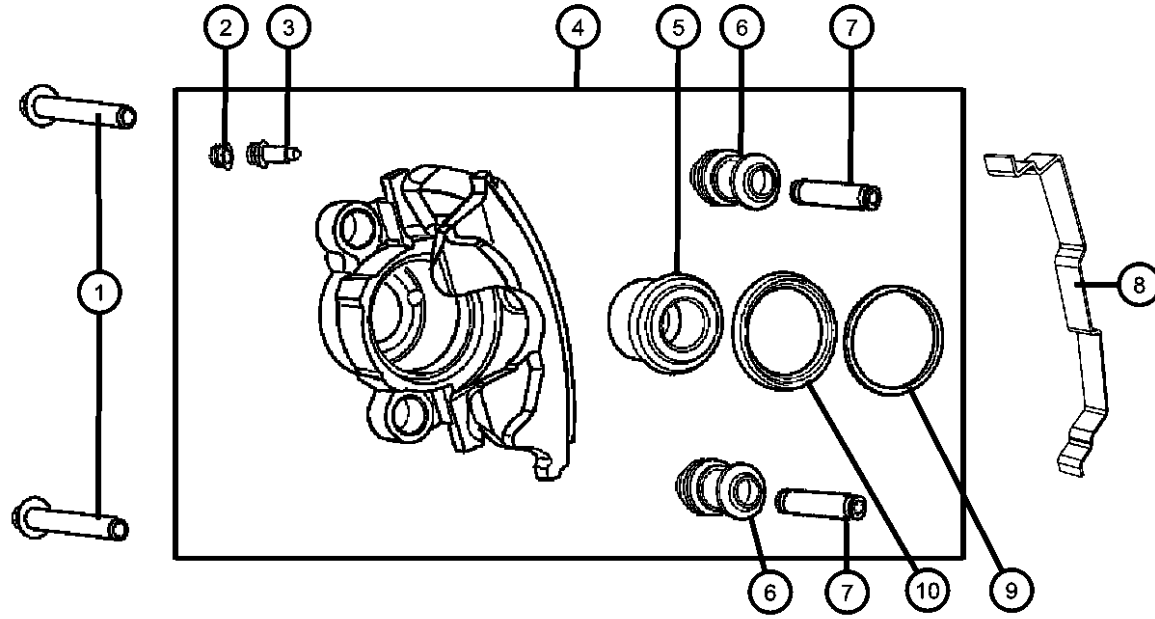
**LIBERTY (KJ)**  
 SERIES LINE BODY ENGINE TRANSMISSION  
 P = LIMITED J = JEEP - 4WD 74 = SPORT UTILITY 4-DR ED1 = Engine - 2.4L 4 Cyl DOHC 16v SMPI DGQ = Transmission-5-Spd Automatic 5-45RFE  
 H = SPORT U = JEEP - 4WD (RHD) EKG = Engine - 3.7L V6 DG6 = Transmission-4-Spd. Automatic, 42RLE  
 M = RENEGADE T = JEEP - 2WD ENR = Engine - 2.8L 4 Cyl Turbo Diesel DEH = Transmission-6-Speed Manual, NSG370  
 ENO = 4CYL turbo diesel DG0 = Transmissions - All Automatic DBB = ALL MANUAL TRANSMISSIONS

AR = use ase required - = Non illustrated part

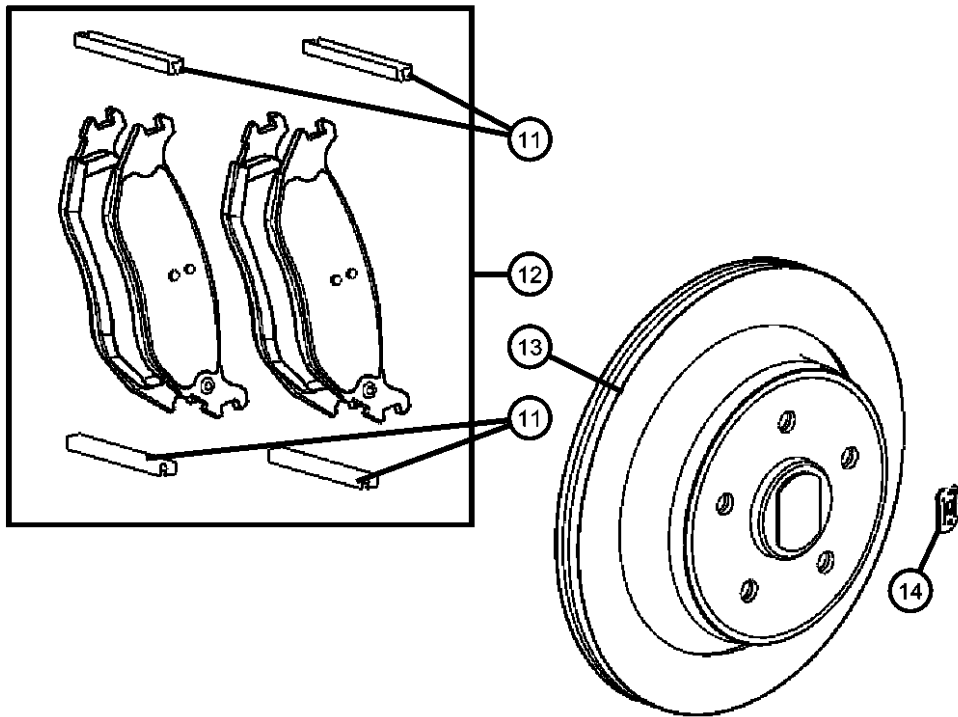


Brakes,Rear,Disc  
Figure 5-210

ITEM	PART NUMBER	QTY	LINE	SERIES	BODY	ENGINE	TRANS	TRIM	DESCRIPTION
------	-------------	-----	------	--------	------	--------	-------	------	-------------



13	52128411AB	2							ROTOR, Brake
14	06026430	4							NUT, Push



LIBERTY (KJ)

SERIES	LINE
P = LIMITED	J = JEEP - 4WD
H = SPORT	U = JEEP - 4WD (RHD)
M = RENEGADE	T = JEEP - 2WD

BODY
74 = SPORT UTILITY 4-DR

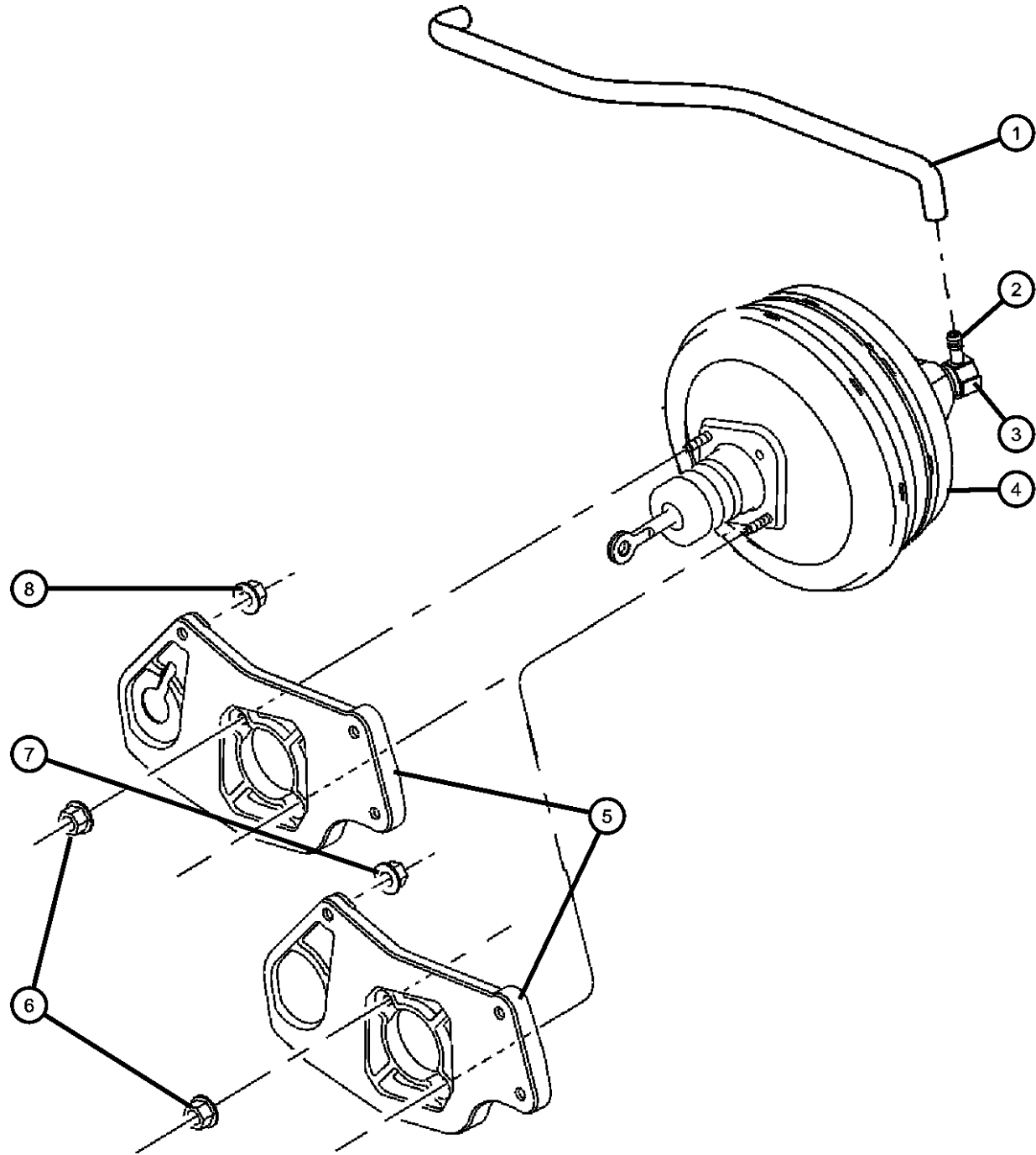
ENGINE
ED1 = Engine - 2.4L 4 Cyl DOHC 16v SMPI
EKG = Engine - 3.7L V6
ENR = Engine - 2.8L 4 Cyl Turbo Diesel
ENO = 4CYL turbo diesel

TRANSMISSION
DGQ = Transmission-5-Spd Automatic 5-45RFE
DG6 = Transmission-4-Spd. Automatic, 42RLE
DEH = Transmission-6-Speed Manual, NSG370
DG0 = Transmissions - All Automatic
DBB = ALL MANUAL TRANSMISSIONS

AR = use ase required - = Non illustrated part

2005 KJ

**Booster,Power Brake**  
**Figure 5-310**



ITEM	PART NUMBER	QTY	LINE	SERIES	BODY	ENGINE	TRANS	TRIM	DESCRIPTION
------	-------------	-----	------	--------	------	--------	-------	------	-------------

Note: Sales Codes;  
 [DBB]=Transmissions - All Manual  
 [DG0]=Transmissions - All Automatic  
 [ED0]=Engines - All 2.2, 2.5, 2.4L 4 Cylinder Gas  
 [EK0]=Engines - All 3.7L 6 Cylinder Gas  
 [EN0]=Engines - All 4/5 Cylinder Turbo Diesel

1									HOSE, Vacuum Supply
	52128313AB	1	U						[ED0]-Engine To Booster
	52128314AE	1	U						[EK0]-Engine To Booster
	52128316AF	1	U						[EN0]-Engine To Booster
	52128317AB	1	J, T						[ED0]-Engine To Booster
	52128318AC	1	J, T						[EK0]-Engine To Booster
	52128370AA	1	J, T						[EN0]-Engine To Booster
2									CAP, Vacuum Port
	05103338AA	1	J, T						
		1	U						
3									VALVE, Vacuum Check
	05072522AA	1	U						
		1	J, T						
4									BOOSTER, Power Brake
	05134120AA	1	U						
		1	J, T						
5									BRACKET, Brake Booster
	52128353AC	1	J, T						[DBB], Mounting
	52128356AC	1	U						[DBB], Mounting
	52128730AA	1	J, T						[DG0], Mounting
	52128731AA	1	U						[DG0], Mounting
6	06506386AA	2							NUT, Hex Flange With Serration, Brake Booster to Actuator Mounting Bracket, Mounting
7	06504175	3	J, T						NUT AND WASHER, Hex, M8x1.25 Actuator Mounting Bracket to Dash Panel, Mounting

**LIBERTY (KJ)**

SERIES      LINE  
 P = LIMITED      J = JEEP - 4WD  
 H = SPORT      U = JEEP - 4WD (RHD)  
 M = RENEGADE      T = JEEP - 2WD

BODY  
 74 = SPORT UTILITY 4-DR

ENGINE  
 ED1 = Engine - 2.4L 4 Cyl  
 DOHC 16v SMPI  
 EKG = Engine - 3.7L V6  
 ENR = Engine - 2.8L 4 Cyl  
 Turbo Diesel  
 ENO = 4CYL turbo diesel

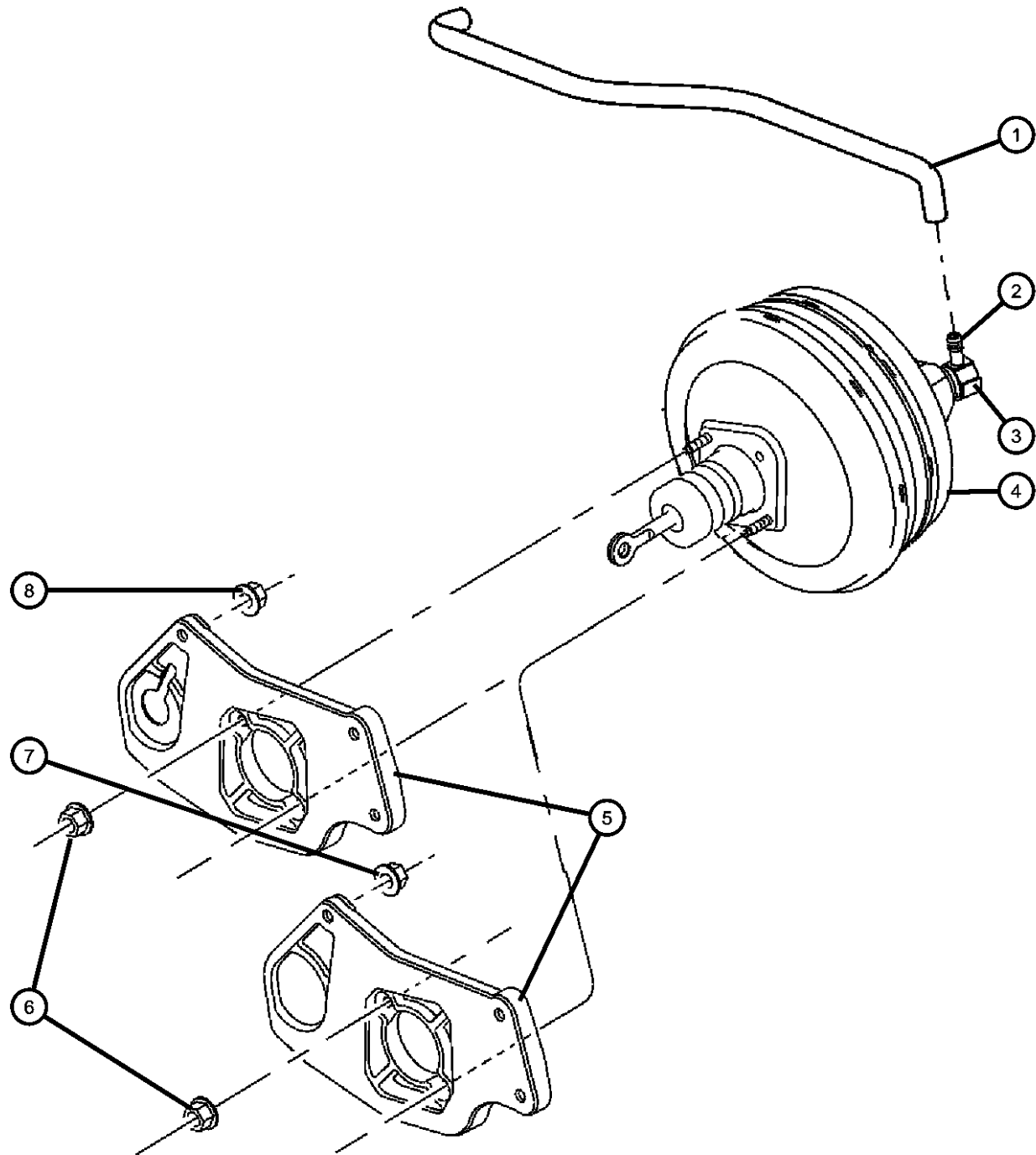
TRANSMISSION  
 DGQ = Transmission-5-Spd Automatic  
 5-45RFE  
 DG6 = Transmission-4-Spd.  
 Automatic, 42RLE  
 DEH = Transmission-6-Speed Manual,  
 NSG370  
 DG0 = Transmissions - All Automatic  
 DBB = ALL MANUAL  
 TRANSMISSIONS

AR = use ase required - = Non illustrated part

2005 KJ

**Booster,Power Brake  
Figure 5-310**

ITEM	PART NUMBER	QTY	LINE	SERIES	BODY	ENGINE	TRANS	TRIM	DESCRIPTION
------	-------------	-----	------	--------	------	--------	-------	------	-------------



		2	U						Actuator Mounting Bracket to Dash Panel, Mounting
8	06506386AA	1	U						NUT, Hex Flange With Serration, Actuator Mounting Bracket to Dash Panel, Mounting

**LIBERTY (KJ)**

SERIES	LINE
P = LIMITED	J = JEEP - 4WD
H = SPORT	U = JEEP - 4WD (RHD)
M = RENEGADE	T = JEEP - 2WD

BODY  
74 = SPORT UTILITY 4-DR

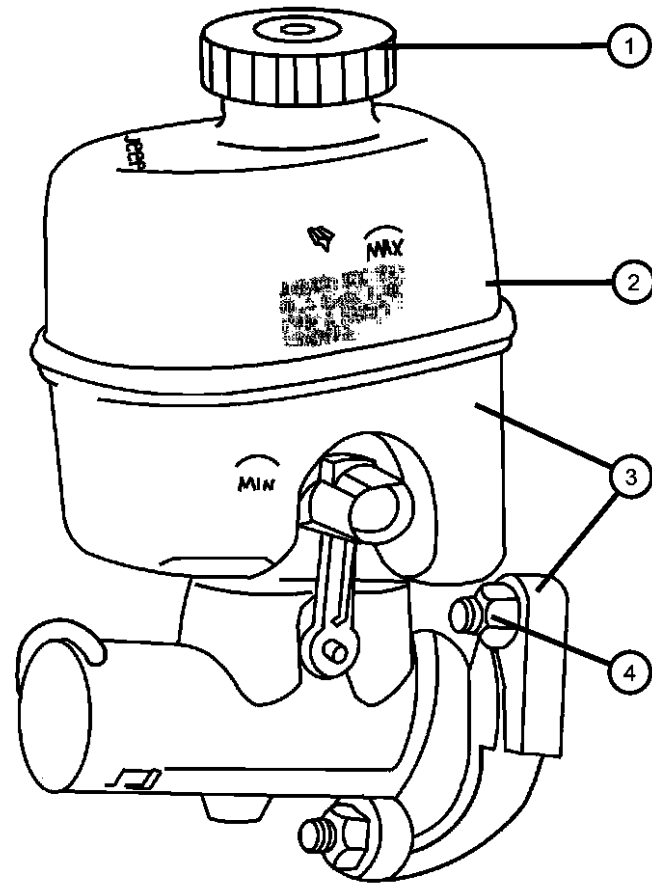
ENGINE  
ED1 = Engine - 2.4L 4 Cyl DOHC 16v SMPI  
EKG = Engine - 3.7L V6  
ENR = Engine - 2.8L 4 Cyl Turbo Diesel  
ENO = 4CYL turbo diesel

TRANSMISSION  
DGQ = Transmission-5-Spd Automatic 5-45RFE  
DG6 = Transmission-4-Spd. Automatic, 42RLE  
DEH = Transmission-6-Speed Manual, NSG370  
DG0 = Transmissions - All Automatic  
DBB = ALL MANUAL TRANSMISSIONS

AR = use ase required - = Non illustrated part

2005 KJ

**Master Cylinder, Brake  
Figure 5-410**



ITEM	PART NUMBER	QTY	LINE	SERIES	BODY	ENGINE	TRANS	TRIM	DESCRIPTION
1	05072525AA	1	U						CAP, Master Cylinder Reservoir
2		1	J, T						RESERVOIR, Brake Master Cylinder, Order Item 3, (NOT SERVICED)
3	05072524AB	1	U						MASTER CYLINDER, Brake With Reservoir and Cap
	05072526AB	1	J, T						With Reservoir and Cap
4	05072523AA	2	U						NUT
		1	J, T						Master Cylinder to Booster, Mounting
									Master Cylinder to Booster, Mounting

**LIBERTY (KJ)**

SERIES      LINE  
P = LIMITED      J = JEEP - 4WD  
H = SPORT      U = JEEP - 4WD (RHD)  
M = RENEGADE      T = JEEP - 2WD

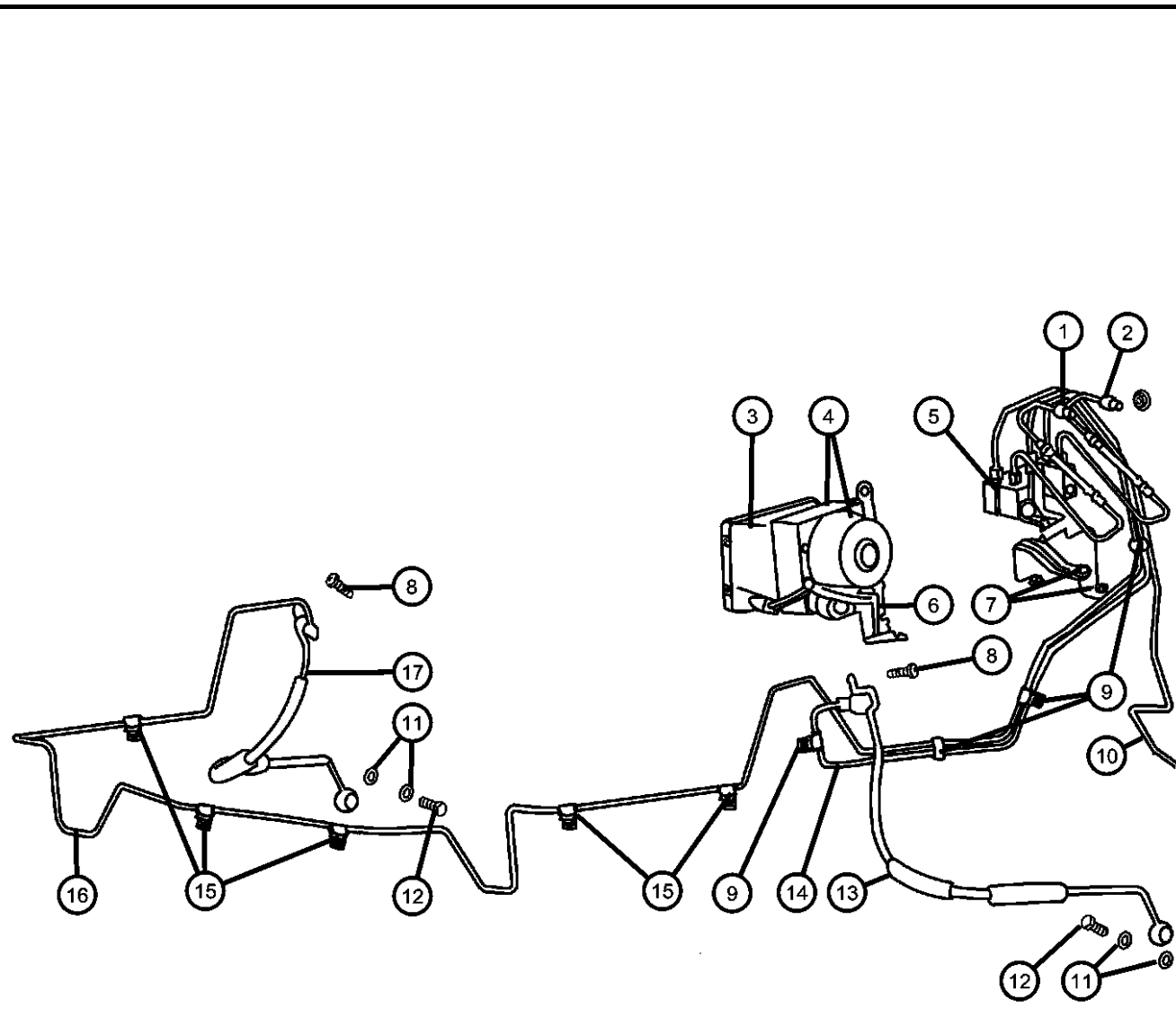
BODY  
74 = SPORT UTILITY 4-DR

ENGINE  
ED1 = Engine - 2.4L 4 Cyl DOHC 16v SMPI  
EKG = Engine - 3.7L V6  
ENR = Engine - 2.8L 4 Cyl Turbo Diesel  
ENO = 4CYL turbo diesel

TRANSMISSION  
DGQ = Transmission-5-Spd Automatic 5-45RFE  
DG6 = Transmission-4-Spd. Automatic, 42RLE  
DEH = Transmission-6-Speed Manual, NSG370  
DG0 = Transmissions - All Automatic  
DBB = ALL MANUAL TRANSMISSIONS

AR = use ase required - = Non illustrated part

**Brake Lines,Front,LHD**  
**Figure 5-510**



ITEM	PART NUMBER	QTY	LINE	SERIES	BODY	ENGINE	TRANS	TRIM	DESCRIPTION
Note: Sales Codes; [BRE]=Brakes - 4-Wheel Disc [BRY]=Brakes - Anti-Lock 4-Wheel Disc [ED0]=Engines - All 2.2, 2.5, 2.4L 4 Cylinder Gas [EK0]=Engines - All 3.7L 6 Cylinder Gas [EN0]=Engines - All 4/5 Cylinder Turbo Diesel									
1	52128931AD	1	J, T						TUBE, Brake, Master Cylinder to Union Block/HCU, Primary
2	52128932AD	1	J, T						TUBE, Brake, Master Cylinder to Union Block/HCU, Secondary
3									MODULE, Anti-lock Brakes
	05140732AB	1							[BRY,ED0,EK0] C,M,U Market
	05140733AB	1							[BRY,EN0] C,M,U Market
	05170470AA	1							[BRY,ED0,EK0] B Market
	05170471AA	1							[BRY,EN0] B Market
4									CONTROL UNIT, Anti-Lock Brake
	05140731AA	1							[BRY,ED0,EK0] B Market
		1							[BRY,EN0] B Market
		1							[BRY,ED0,EK0] C,M,U Market
		1							[BRY,EN0] C,M,U Market
5									BLOCK, Brake Line Union
	52128965AD	1							[BRE] Up To and Including 04-18-05
	52128965AE	1							[BRE] 04-19-05 and After
6									BRACKET, Hydraulic Control Unit
	05140734AA	1							[BRY,ED0,EK0] B Market
		1							[BRY,EN0] B Market
		1							[BRY,ED0,EK0] C,M,U Market
		1							[BRY,EN0] C,M,U Market
7	06100048	2							NUT, Hex, M6x1.00, ABS Module Retention, Mounting
8	06505446AA	2							SCREW, Brake Hose to Wheel House, Mounting
9	04582074	3							CLIP, Fuel Bundle, 2 Way
10	52128970AB	1							TUBE, Brake, Union Block/HCU to Rear Brake Hose, Chassis
11	J3237672	4							GASKET, Brake Hose To CaliperMounting

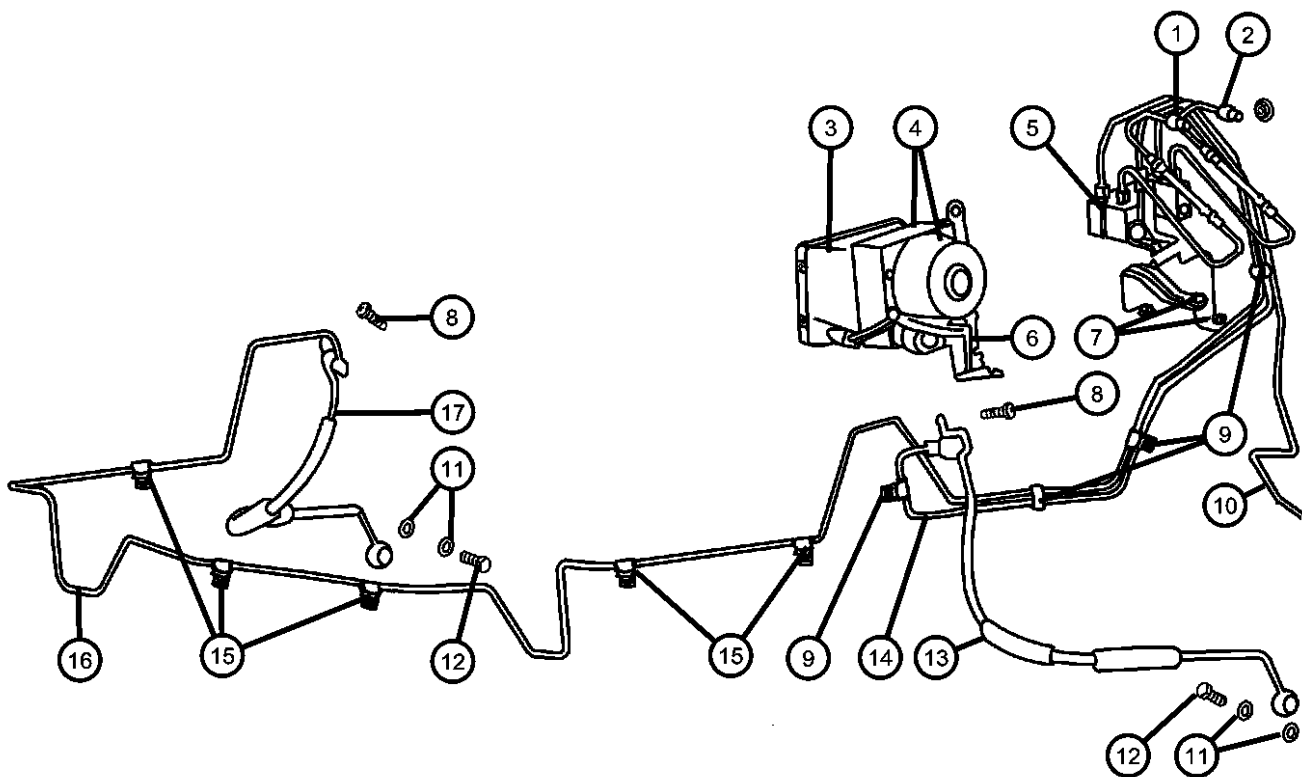
**LIBERTY (KJ)**

SERIES	LINE	BODY	ENGINE	TRANSMISSION
P = LIMITED	J = JEEP - 4WD	74 = SPORT UTILITY 4-DR	ED1 = Engine - 2.4L 4 Cyl DOHC 16v SMPI	DGQ = Transmission-5-Spd Automatic 5-45RFE
H = SPORT	U = JEEP - 4WD (RHD)		EKG = Engine - 3.7L V6	DG6 = Transmission-4-Spd. Automatic, 42RLE
M = RENEGADE	T = JEEP - 2WD		ENR = Engine - 2.8L 4 Cyl Turbo Diesel	DEH = Transmission-6-Speed Manual, NSG370
			ENO = 4CYL turbo diesel	DG0 = Transmissions - All Automatic
				DBB = ALL MANUAL TRANSMISSIONS

AR = use ase required - = Non illustrated part

**Brake Lines,Front,LHD**  
**Figure 5-510**

ITEM	PART NUMBER	QTY	LINE	SERIES	BODY	ENGINE	TRANS	TRIM	DESCRIPTION
12	06035832	2							BOLT, Banjo, To Caliper, Mounting
13	52128311AA	1							HOSE, BrakeLeft
14	52128935AD	1							TUBE, Brake, Union Block/HCU to Left Brake Hose
15									CLIP, Brake Line
	52128408AA	1							[EN0] 3 Way, Mounting
	52128409AA	5							1 Way, Mounting
16	52128934AD	1							TUBE, Brake, Union Block/HCU to Right Brake Hose
17	52128312AA	1							HOSE, BrakeRight



**LIBERTY (KJ)**

SERIES            LINE  
P = LIMITED      J = JEEP - 4WD  
H = SPORT        U = JEEP - 4WD (RHD)  
M = RENEGADE    T = JEEP - 2WD

BODY  
74 = SPORT UTILITY 4-DR

ENGINE  
ED1 = Engine - 2.4L 4 Cyl DOHC 16v SMPI  
EKG = Engine - 3.7L V6  
ENR = Engine - 2.8L 4 Cyl Turbo Diesel  
ENO = 4CYL turbo diesel

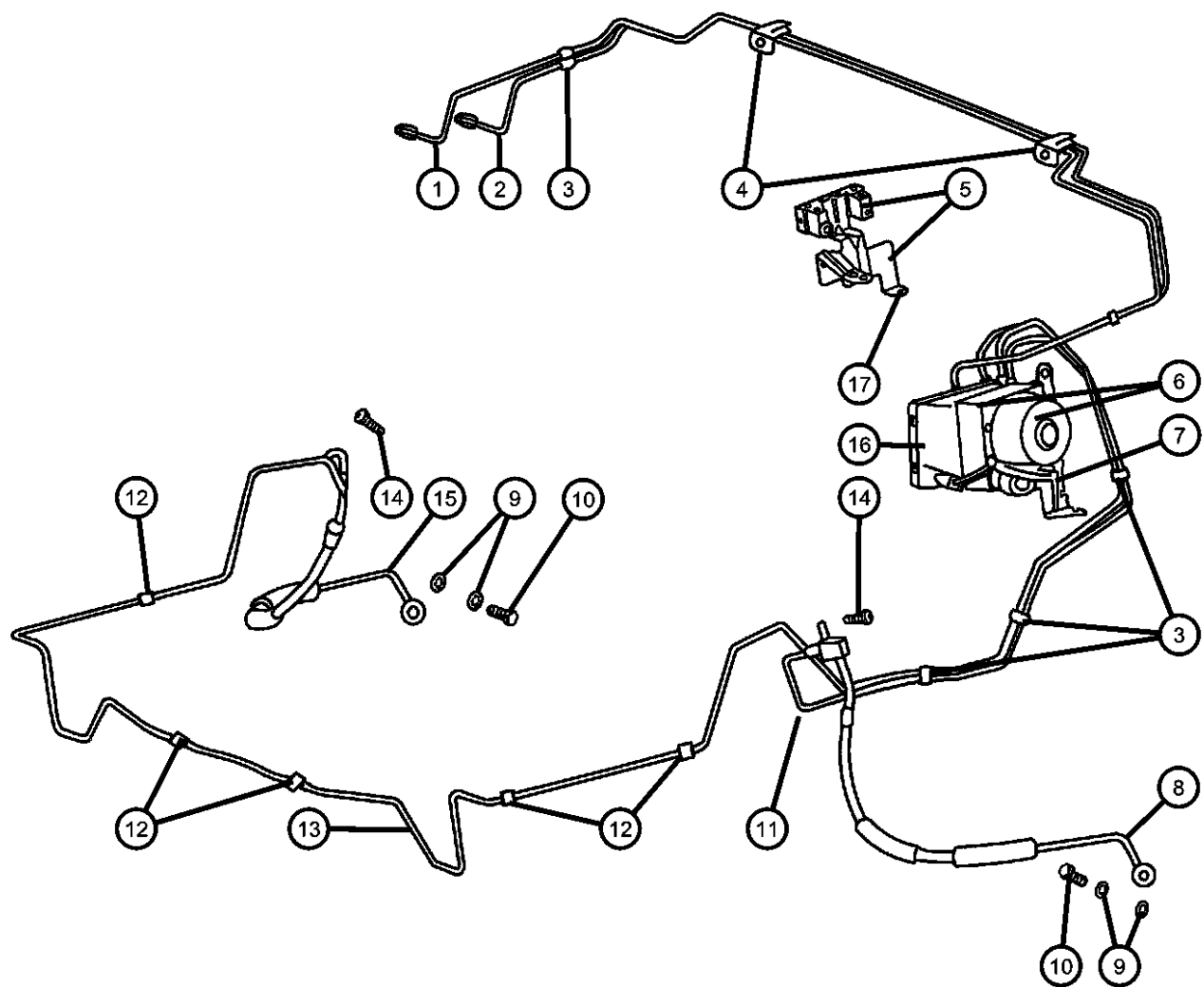
TRANSMISSION  
DGQ = Transmission-5-Spd Automatic 5-45RFE  
DG6 = Transmission-4-Spd. Automatic, 42RLE  
DEH = Transmission-6-Speed Manual, NSG370  
DG0 = Transmissions - All Automatic  
DBB = ALL MANUAL TRANSMISSIONS

AR = use ase required - = Non illustrated part

2005 KJ

Brake Lines,Front,RHD

Figure 5-520



ITEM	PART NUMBER	QTY	LINE	SERIES	BODY	ENGINE	TRANS	TRIM	DESCRIPTION
Note: Sales Codes; [BRE]=Brakes - 4-Wheel Disc [BRY]=Brakes - Anti-Lock 4-Wheel Disc [ED0]=Engines - All 2.2, 2.5, 2.4L 4 Cylinder Gas [EK0]=Engines - All 3.7L 6 Cylinder Gas [EN0]=Engines - All 4/5 Cylinder Turbo Diesel									
1	52128928AD	1	U						TUBE, Brake, Master Cylinder to Union Block/HCU, Secondary
2	52128927AD	1	U						TUBE, Brake, Master Cylinder to Union Block/HCU, Primary
3	52128405AB	2	U						CLIP, Brake Line, 4-Way-To Plenum, Mounting
4	04582074	2	U						CLIP, Fuel Bundle, 2-Way, Mounting
5									BLOCK, Brake Line Union
	52128965AD	1							[BRE] Up To and Including 04-18-05
	52128965AE	1							[BRE] 04-19-05 and After
6									CONTROL UNIT, Anti-Lock Brake
	05140731AA	1							[BRY,ED0,EK0] B Market
		1							[BRY,EN0] B Market
		1							[BRY,ED0,EK0] C,M,U Market
		1							[BRY,EN0] C,M,U Market
7									BRACKET, Hydraulic Control Unit
	05140734AA	1							[ED0,EK0,BRY]
		1							[EN0,BRY]
8	52128311AA	1							HOSE, BrakeLeft
9	06035886	4							GASKET, Brake Hose To CaliperMounting
10	06035832	2							BOLT, Banjo, To Caliper, Mounting
11	52128935AD	1							TUBE, Brake, Union Block/HCU to Brake Hose, Left
12	52128409AA	5							CLIP, Brake Line, 1-Way, Mounting
13	52128934AD	1							TUBE, Brake, Union Block/HCU to Brake Hose, Right
14	06505446AA	2							SCREW, Brake Hose to Wheel House, Mounting
15	52128312AA	1							HOSE, BrakeRight
16									MODULE, Anti-lock Brakes

LIBERTY (KJ)

SERIES      LINE  
 P = LIMITED      J = JEEP - 4WD  
 H = SPORT      U = JEEP - 4WD (RHD)  
 M = RENEGADE      T = JEEP - 2WD

BODY  
 74 = SPORT UTILITY 4-DR

ENGINE  
 ED1 = Engine - 2.4L 4 Cyl DOHC 16v SMPI  
 EKG = Engine - 3.7L V6  
 ENR = Engine - 2.8L 4 Cyl Turbo Diesel  
 ENO = 4CYL turbo diesel

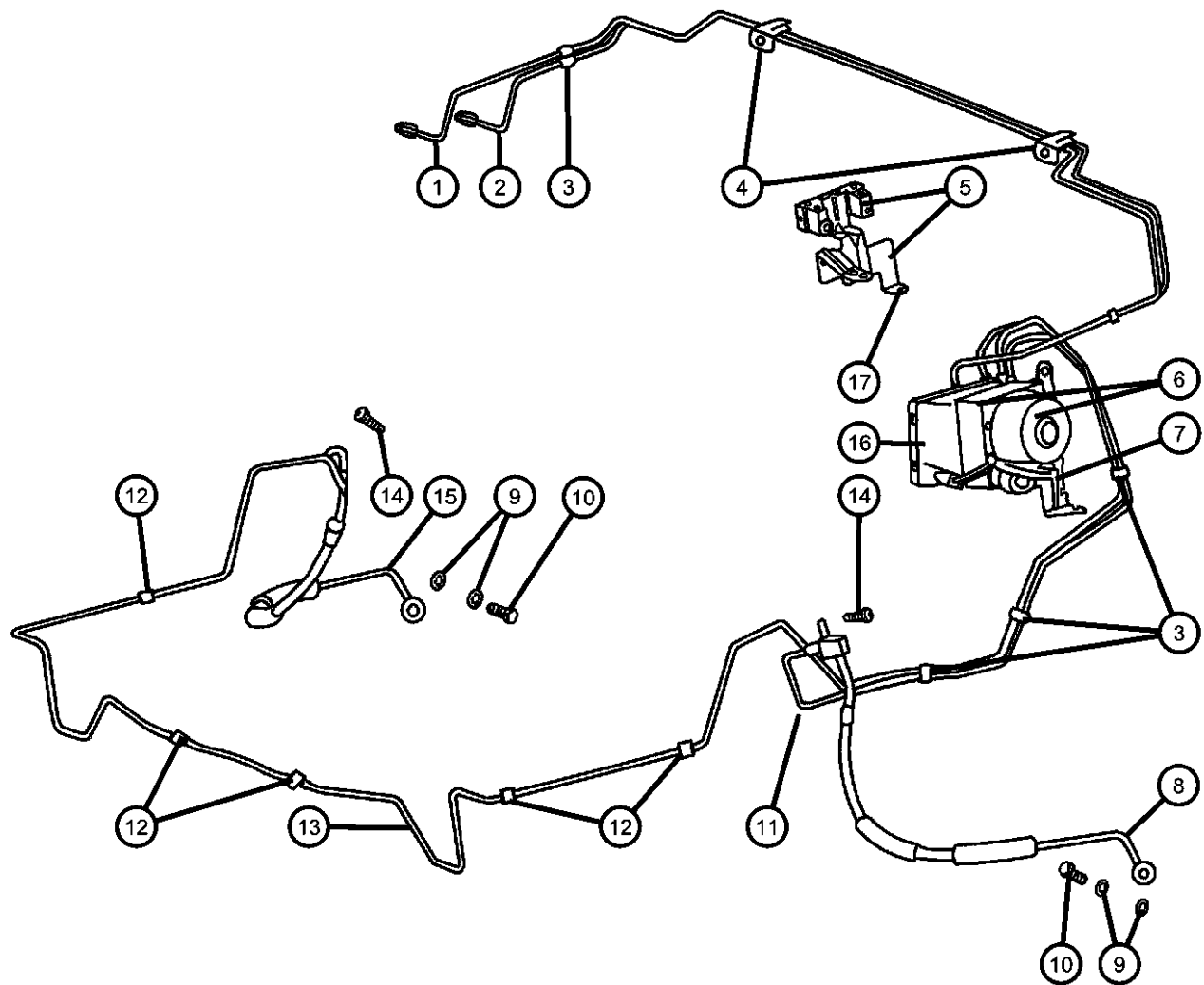
TRANSMISSION  
 DGQ = Transmission-5-Spd Automatic 5-45RFE  
 DG6 = Transmission-4-Spd. Automatic, 42RLE  
 DEH = Transmission-6-Speed Manual, NSG370  
 DG0 = Transmissions - All Automatic  
 DBB = ALL MANUAL TRANSMISSIONS

AR = use ase required - = Non illustrated part

Brake Lines,Front,RHD  
Figure 5-520

ITEM	PART NUMBER	QTY	LINE	SERIES	BODY	ENGINE	TRANS	TRIM	DESCRIPTION
------	-------------	-----	------	--------	------	--------	-------	------	-------------

	05170470AA	1							[BRY,ED0,EK0] B Market
	05170471AA	1							[BRY,EN0] B Market
	05140732AB	1							[BRY,ED0,EK0] C,M,U Market
	05140733AB	1							[BRY,EN0] C,M,U Market
17	06100048	2							NUT, Hex, M6x1.00, ABS Module Retention, Mounting
-18	52128970AB	1							TUBE, Brake, Union Block/HCU to Rear Brake Hose, Chassis



LIBERTY (KJ)

SERIES LINE  
P = LIMITED J = JEEP - 4WD  
H = SPORT U = JEEP - 4WD (RHD)  
M = RENEGADE T = JEEP - 2WD

BODY  
74 = SPORT UTILITY 4-DR

ENGINE  
ED1 = Engine - 2.4L 4 Cyl DOHC 16v SMPI  
EKG = Engine - 3.7L V6  
ENR = Engine - 2.8L 4 Cyl Turbo Diesel  
ENO = 4CYL turbo diesel

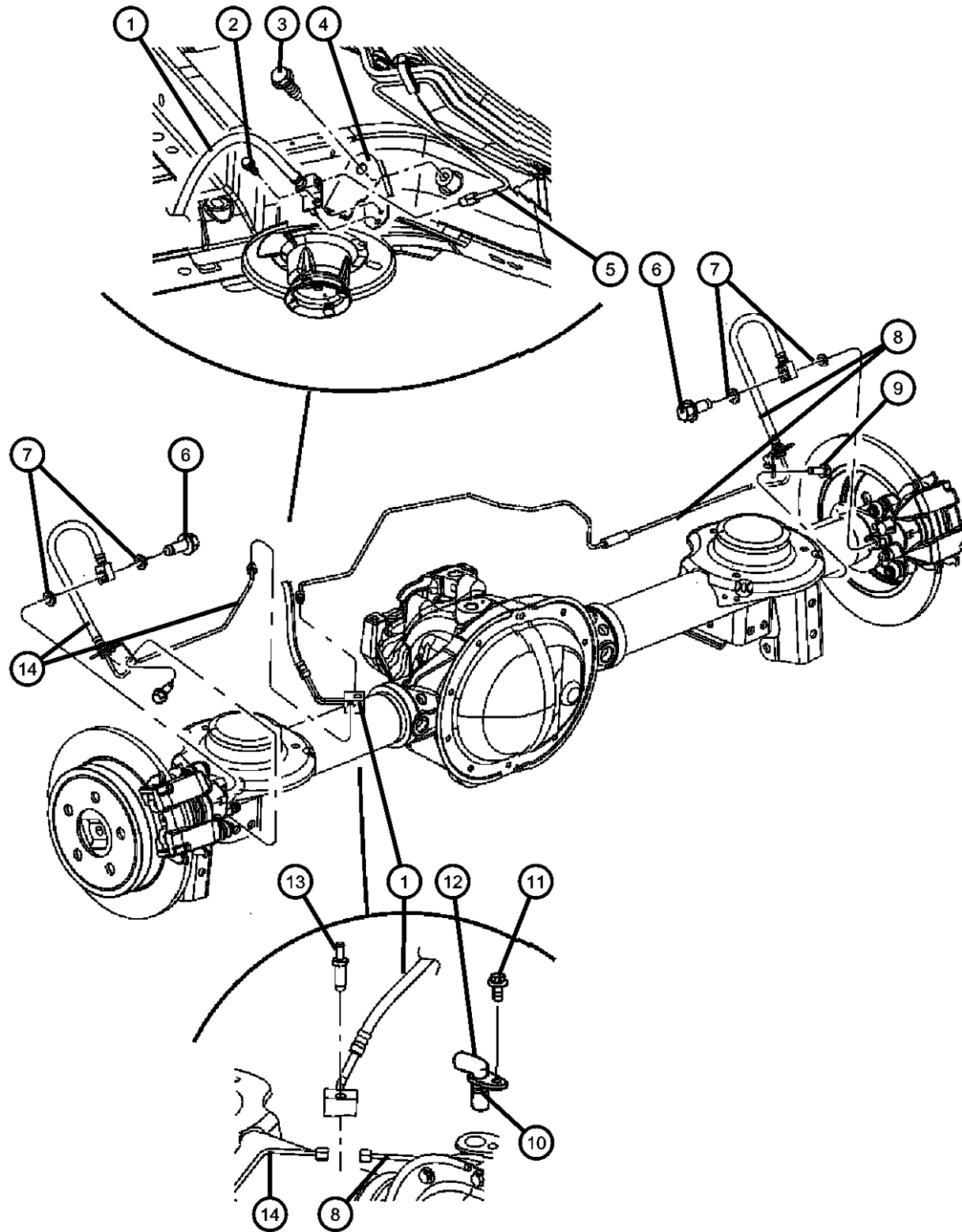
TRANSMISSION  
DGQ = Transmission-5-Spd Automatic 5-45RFE  
DG6 = Transmission-4-Spd. Automatic, 42RLE  
DEH = Transmission-6-Speed Manual, NSG370  
DG0 = Transmissions - All Automatic  
DBB = ALL MANUAL TRANSMISSIONS

AR = use ase required - = Non illustrated part

2005 KJ



Brake Lines,Rear  
Figure 5-530



ITEM	PART NUMBER	QTY	LINE	SERIES	BODY	ENGINE	TRANS	TRIM	DESCRIPTION
Note: Sales Codes; [EN0]=Engines - All 4/5 Cylinder Turbo Diesel									
1	52128310AA	1							HOSE, Brake
2	06503343	1							SCREW, Brake Hose to Brake Hose Bracket, Mounting
3	06503900	1							SCREW AND WASHER, Hex Head, M12x1.75x40, [EN0] Brake Hose Bracket to Left Rail, Mounting
4	52128480AC	1							BRACKET, Brake Hose, [EN0]
5	52128970AB	1							TUBE, BrakeChassis
6	06035832	2							BOLT, Banjo, To Caliper, Mounting
7	J3237672	4							GASKET, Brake Hose To CaliperMounting
8	52128514AD	1							HOSE, BrakeRight
9	52128514AD	1							SCREW, Hex Flange Head, M6x1.00x15.00, Brake Hose Bracket to Spring Seat, (NOT SERVICED)
10	05086373AA	1							O RING, Sensor, Wheel Speed Sensor, Mounting
11	06501979	1							SCREW AND WASHER, Hex Head, M6x1x17, Wheel Speed Sensor, Mounting
12	56041393AA	1							SENSOR, Wheel Speed
13	04137696AB	1							BOLT, Axle Vent
14	52128515AB	1							HOSE, BrakeLeft

LIBERTY (KJ)

SERIES LINE  
P = LIMITED J = JEEP - 4WD  
H = SPORT U = JEEP - 4WD (RHD)  
M = RENEGADE T = JEEP - 2WD

BODY  
74 = SPORT UTILITY 4-DR

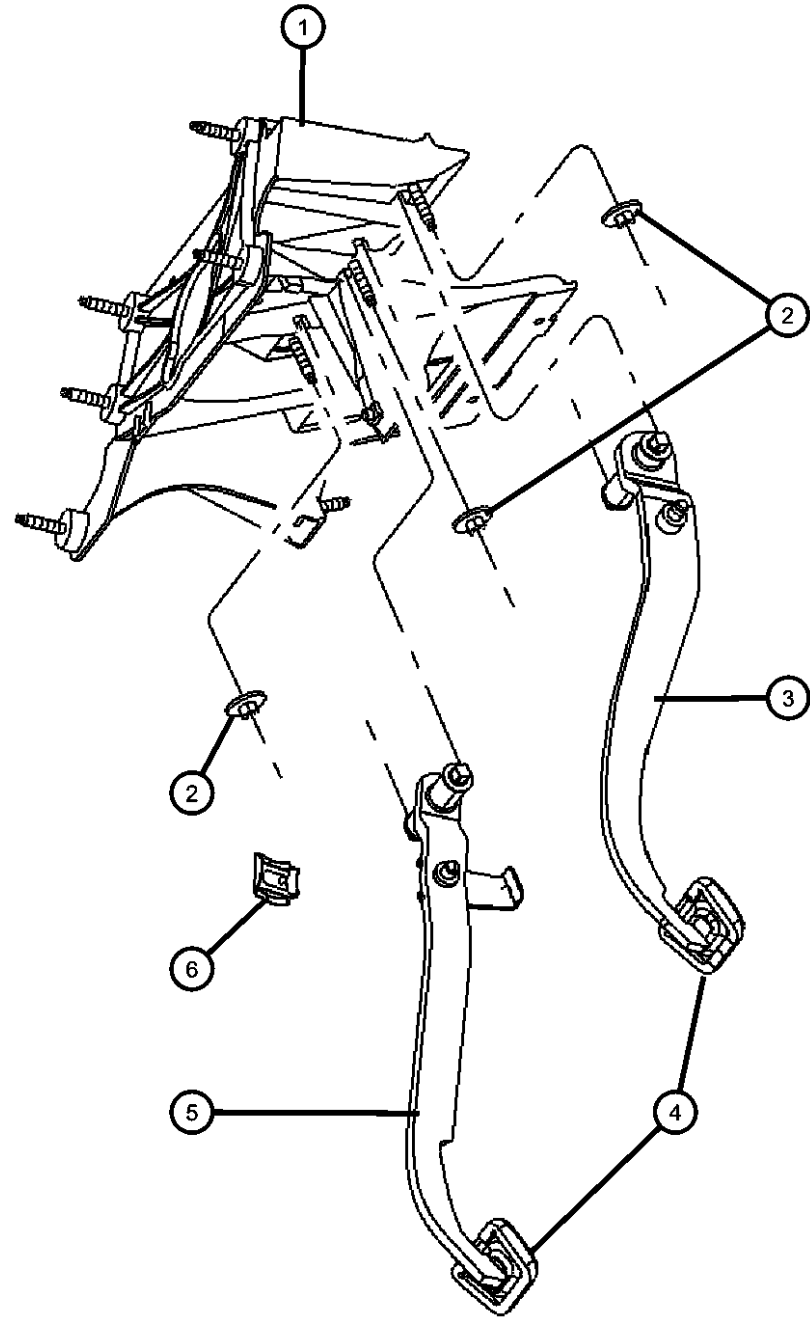
ENGINE  
ED1 = Engine - 2.4L 4 Cyl DOHC 16v SMPI  
EKG = Engine - 3.7L V6  
ENR = Engine - 2.8L 4 Cyl Turbo Diesel  
ENO = 4CYL turbo diesel

TRANSMISSION  
DGQ = Transmission-5-Spd Automatic 5-45RFE  
DG6 = Transmission-4-Spd. Automatic, 42RLE  
DEH = Transmission-6-Speed Manual, NSG370  
DG0 = Transmissions - All Automatic  
DBB = ALL MANUAL TRANSMISSIONS

AR = use ase required - = Non illustrated part

2005 KJ

**Pedals, Brake and Clutch**  
**Figure 5-610**



ITEM	PART NUMBER	QTY	LINE	SERIES	BODY	ENGINE	TRANS	TRIM	DESCRIPTION
Note: Sales Codes; DBB=Transmissions - All Manual DG0=Transmissions - All Automatic									
1									BRACKET, Steering Column
	55314992AA	1	J, T						
	55315011AA	1	U						
2	06506232AA	2							NUT, Pedal to Steering Column Bracket, Mounting
3									PEDAL, Clutch
	52128957AA	1	J, T						[DBB] Includes Items 4,7
	52128958AA	1	U						[DBB] Includes Items 4,7
4									PAD, Pedal
	04779027	1	U						[DG0]
		1	J, T						[DG0]
	52009562	1	J, T						[DBB]
		1	U						[DBB]
5									PEDAL, Brake
	52128345AC	1	U						[DG0] Includes Items 4,7
	52128346AD	1	J, T						[DG0] Includes Items 4,7
	52128347AD	1	J, T						[DBB] Includes Items 4,7
	52128348AC	1	U						[DBB] Includes Items 4,7
6	06035334	1							CLIP, Brake Push Rod Mounting
-7									TAPE, Anti-Squeak
	05019054AA	1	U						
		1	J, T						

**LIBERTY (KJ)**

SERIES      LINE  
P = LIMITED      J = JEEP - 4WD  
H = SPORT      U = JEEP - 4WD (RHD)  
M = RENEGADE      T = JEEP - 2WD

BODY  
74 = SPORT UTILITY 4-DR

ENGINE  
ED1 = Engine - 2.4L 4 Cyl  
DOHC 16v SMPI  
EKG = Engine - 3.7L V6  
ENR = Engine - 2.8L 4 Cyl  
Turbo Diesel  
ENO = 4CYL turbo diesel

TRANSMISSION  
DGQ = Transmission-5-Spd Automatic  
5-45RFE  
DG6 = Transmission-4-Spd.  
Automatic, 42RLE  
DEH = Transmission-6-Speed Manual,  
NSG370  
DG0 = Transmissions - All Automatic  
DBB = ALL MANUAL  
TRANSMISSIONS

AR = use ase required - = Non illustrated part

2005 KJ

# Group - 6

## Clutch

### Group - 6 Clutch

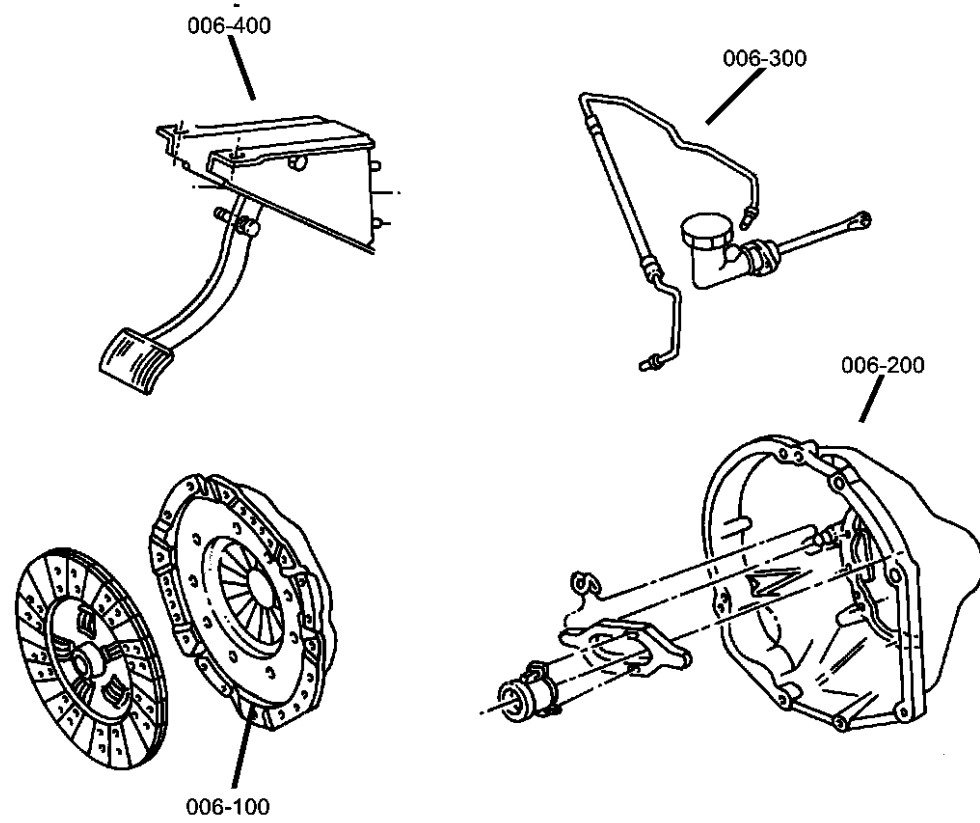


Illustration Title

Group-Fig. No.

#### Clutch

Clutch ..... Fig. 6 - 110

#### Clutch Housing

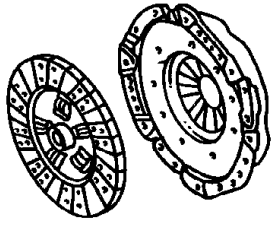
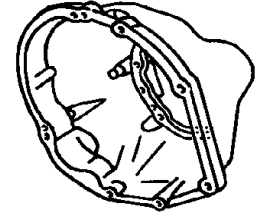
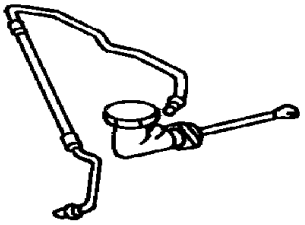
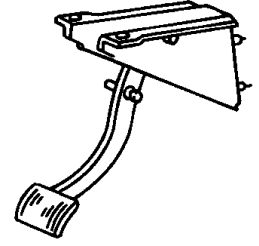
Clutch Housing ..... Fig. 6 - 210

#### Clutch Controls

Clutch Control ..... Fig. 6 - 310

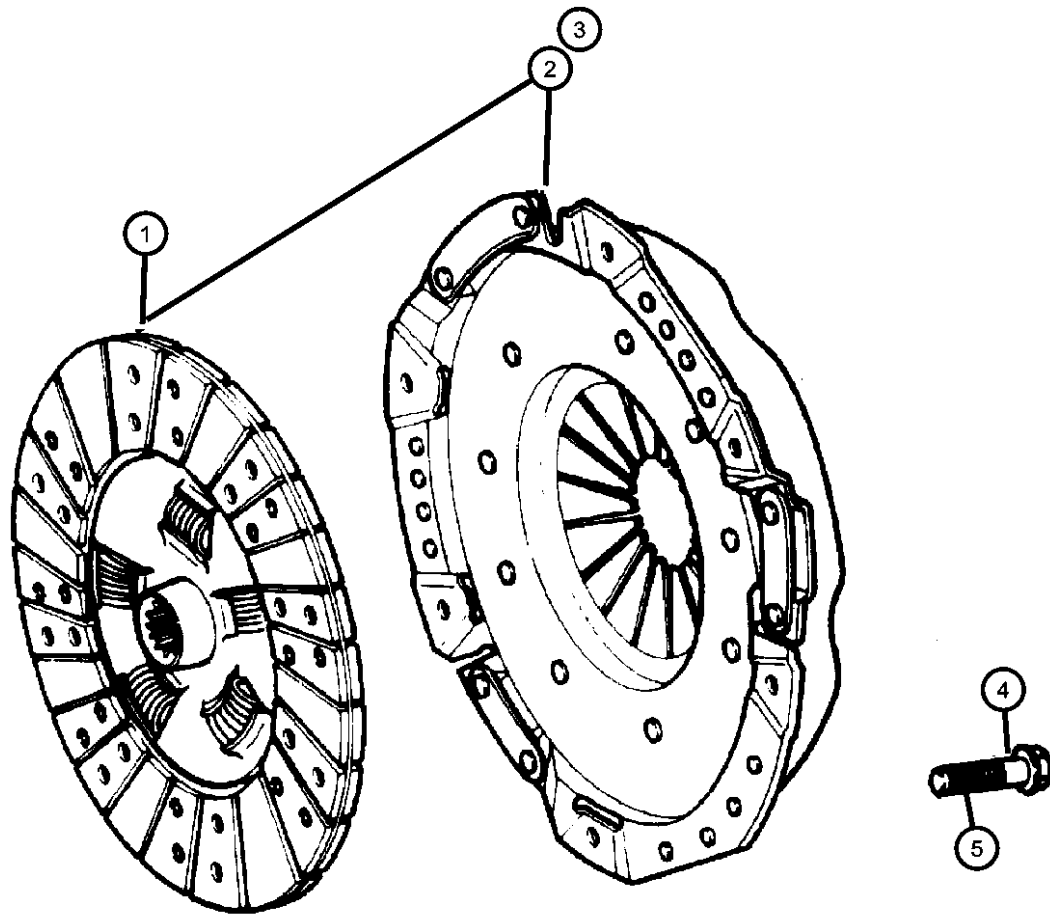
#### Clutch Pedals

Pedal Clutch ..... Fig. 6 - 410

<p><b>006-100</b> Clutch</p> 	<p><b>006-200</b> Clutch Housing</p> 	<p><b>006-300</b> Clutch Controls</p> 	<p><b>006-400</b> Clutch Pedals</p> 
---	--	--	---

**Clutch**  
**Figure 6-110**

ITEM	PART NUMBER	QTY	LINE	SERIES	BODY	ENGINE	TRANS	TRIM	DESCRIPTION
NOTE; Sales Codes [DBB]= All Manual Transmissions [EKG]= Magnum 3.7L V6 [ED0] = All 2.2,2.5,2.4L 4 Cylinder Gas Engines [EN0]= All 2.5L 4 Cylinder Turbo Diesel Engines									
1									DISC, Clutch
	52104303AB	1				EN0	DBB		
	52104581AE	1				ED0	DBB		
	52104585AC	1				EKG	DBB		
2	05066191AC	1				EN0	DBB		CLUTCH PACKAGE
3									CLUTCH
	52104289AG	1				ED0	DBB		[Includes Plate and Disc]
	52104583AC	1				EKG	DBB		
4	06501474	6				ED0	DBB		BOLT, Hex Head, M8x1.25x16
5	06036460AA	6				EKG	DBB		BOLT, Hex Flange Head



**LIBERTY (KJ)**

SERIES      LINE  
P = LIMITED      J = JEEP - 4WD  
H = SPORT      U = JEEP - 4WD (RHD)  
M = RENEGADE      T = JEEP - 2WD

BODY  
74 = SPORT UTILITY 4-DR

ENGINE  
ED1 = Engine - 2.4L 4 Cyl  
DOHC 16v SMPI  
EKG = Engine - 3.7L V6  
ENR = Engine - 2.8L 4 Cyl  
Turbo Diesel  
ENO = 4CYL turbo diesel

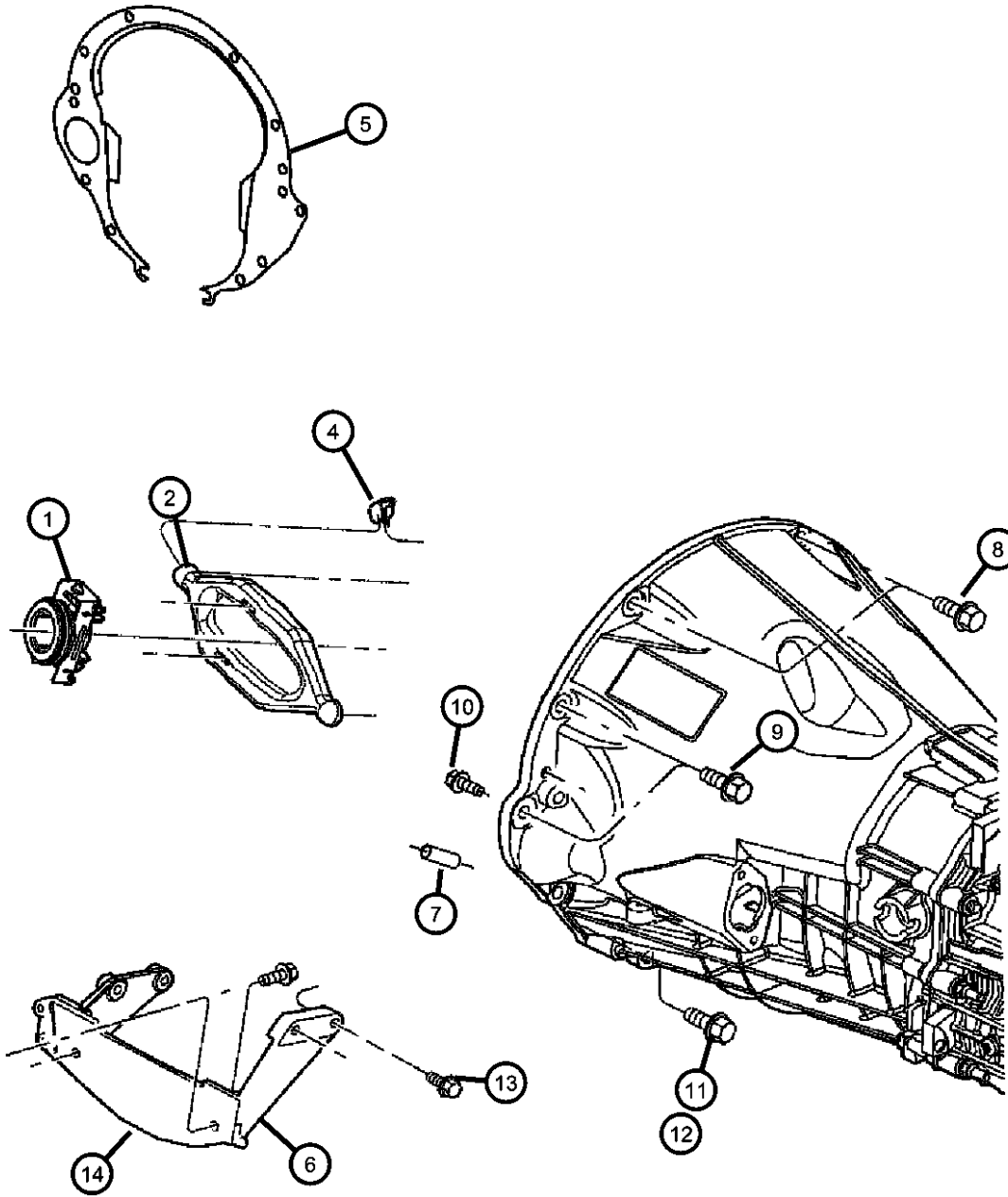
TRANSMISSION  
DGQ = Transmission-5-Spd Automatic  
5-45RFE  
DG6 = Transmission-4-Spd.  
Automatic, 42RLE  
DEH = Transmission-6-Speed Manual,  
NSG370  
DG0 = Transmissions - All Automatic  
DBB = ALL MANUAL  
TRANSMISSIONS

AR = use ase required - = Non illustrated part

2005 KJ

## Clutch Housing Figure 6-210

ITEM	PART NUMBER	QTY	LINE	SERIES	BODY	ENGINE	TRANS	TRIM	DESCRIPTION
NOTE: Sales Codes									
[DBB] = All Manual Transmissions									
[ED0]= All 2.2,2.5,2.4L 4 Cylinder Gas Engines									
[EKG] = Magnum 3.7L V6									
[EK0 ]= All 3.7L 6 Cylinder Gas Engines									
[EN0]= All 2.5L 4 Cylinder Turbo Diesel Engines									
1	53008342	1					DBB		BEARING, Clutch Release
2	52107555	1					DBB		FORK, Clutch Release
-3									PIVOT, Clutch Release
	52087542	1	T			ED0	DEH		
		1	J, U			ED0	DEH		
		1	J, U			EK0	DEH		
		1	T			EK0	DEH		
		1	J, U			EN0	DEH		
4	04338855	1					DBB		SPRING, Clutch Release
5									SPACER
	52104293AB	1				ED0	DBB		
	52104336AA	1				EKG	DBB		
6	53021282AA	1				EK0			COVER, Engine
7	01122532	2				EK0			DOWEL, Block To Clutch Housing
8	06501742	4				ED0	DBB		SCREW, Hex Head, M12x1.75x50
9									SCREW, Hex Head, .375-16x1.5
	06022266	4				EK0	DBB		
		5				EN0	DBB		
10	06036385AA	2				EK0	DBB		SCREW AND WASHER, Hex Head, .437-14x2.00
11	06101985	4				EK0	DBB		SCREW AND WASHER, M10x1.50x45.00
12	06102026	4				EN0	DBB		SCREW
13	06102026	4							SCREW, M10x1.50x40.00, (NOT SERVICED)
14	52104339AC	1				ED0	DBB		COVER, Engine



### LIBERTY (KJ)

SERIES      LINE  
P = LIMITED      J = JEEP - 4WD  
H = SPORT      U = JEEP - 4WD (RHD)  
M = RENEGADE      T = JEEP - 2WD

BODY  
74 = SPORT UTILITY 4-DR

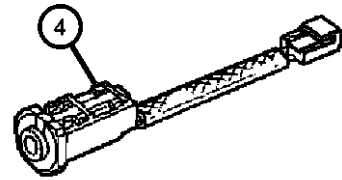
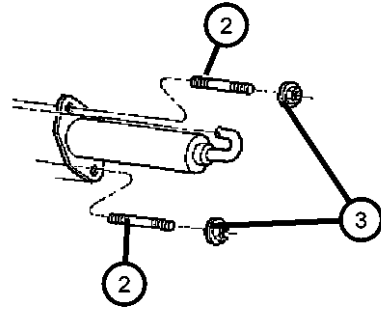
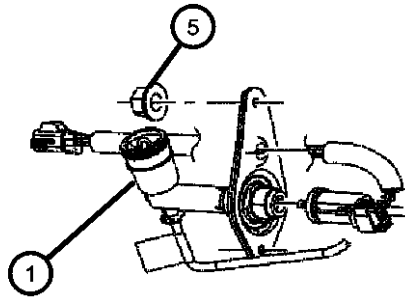
ENGINE  
ED1 = Engine - 2.4L 4 Cyl DOHC 16v SMPI  
EKG = Engine - 3.7L V6  
ENR = Engine - 2.8L 4 Cyl Turbo Diesel  
ENO = 4CYL turbo diesel

TRANSMISSION  
DGQ = Transmission-5-Spd Automatic 5-45RFE  
DG6 = Transmission-4-Spd. Automatic, 42RLE  
DEH = Transmission-6-Speed Manual, NSG370  
DG0 = Transmissions - All Automatic  
DBB = ALL MANUAL TRANSMISSIONS

AR = use ase required - = Non illustrated part

2005 KJ

**Clutch Control**  
**Figure 6-310**



ITEM	PART NUMBER	QTY	LINE	SERIES	BODY	ENGINE	TRANS	TRIM	DESCRIPTION
------	-------------	-----	------	--------	------	--------	-------	------	-------------

NOTE: Sales Codes  
 [DBB] = All Manual Transmissions  
 [DG0] = All Automatic Transmissions  
 [ED0] = All 2.2,2.5,2.4,L 4 Cylinder Gas Engines  
 [EKG] = Magnum 3.7L V6 Engine  
 [EN0] = All 4/5 Turbo Diesel Engines

1									HYDRAULIC CONTROL, Clutch Actuator
	52129182AB	1	U				DBB		
	52129183AC	1	J, T			EK0	DBB		[W/Switch]
	52129184AB	1	J, T			ED0, EN0	DBB		
2	06505668AA	2					DBB		STUD, Double Ended, M8 x 1.25 x 46.50
3	06104716AA	2					DBB		NUT
4									SWITCH, Clutch Starter Interlock
	56010692AA	1	U				DBB		
		1	J, T			ED0, EN0	DBB		
5	06504175	2					DBB		NUT AND WASHER, Hex, M8x1.25

**LIBERTY (KJ)**

SERIES      LINE  
 P = LIMITED      J = JEEP - 4WD  
 H = SPORT      U = JEEP - 4WD (RHD)  
 M = RENEGADE      T = JEEP - 2WD

BODY  
 74 = SPORT UTILITY 4-DR

ENGINE  
 ED1 = Engine - 2.4L 4 Cyl DOHC 16v SMPI  
 EKG = Engine - 3.7L V6  
 ENR = Engine - 2.8L 4 Cyl Turbo Diesel  
 ENO = 4CYL turbo diesel

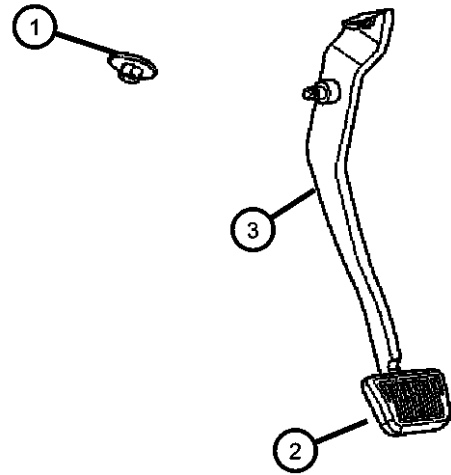
TRANSMISSION  
 DGQ = Transmission-5-Spd Automatic 5-45RFE  
 DG6 = Transmission-4-Spd. Automatic, 42RLE  
 DEH = Transmission-6-Speed Manual, NSG370  
 DG0 = Transmissions - All Automatic  
 DBB = ALL MANUAL TRANSMISSIONS

AR = use ase required - = Non illustrated part

2005 KJ

**Pedal Clutch  
Figure 6-410**

ITEM	PART NUMBER	QTY	LINE	SERIES	BODY	ENGINE	TRANS	TRIM	DESCRIPTION
Notes; Sales Codes [DBB] = All Manual Transmissions									
1	06506232AA	2							NUT
2									PAD, Pedal
	52009562	1	J, T				DBB		
		1	U				DBB		
3									PEDAL, Clutch
	52128957AA	1	J, T				DBB		
	52128958AA	1	U				DBB		



**LIBERTY (KJ)**

SERIES      LINE  
P = LIMITED      J = JEEP - 4WD  
H = SPORT      U = JEEP - 4WD (RHD)  
M = RENEGADE      T = JEEP - 2WD

BODY  
74 = SPORT UTILITY 4-DR

ENGINE  
ED1 = Engine - 2.4L 4 Cyl DOHC 16v SMPI  
EKG = Engine - 3.7L V6  
ENR = Engine - 2.8L 4 Cyl Turbo Diesel  
ENO = 4CYL turbo diesel

TRANSMISSION  
DGQ = Transmission-5-Spd Automatic 5-45RFE  
DG6 = Transmission-4-Spd. Automatic, 42RLE  
DEH = Transmission-6-Speed Manual, NSG370  
DG0 = Transmissions - All Automatic  
DBB = ALL MANUAL TRANSMISSIONS

AR = use ase required - = Non illustrated part

2005 KJ

# Group - 7

## Cooling

### Group - 7 Cooling

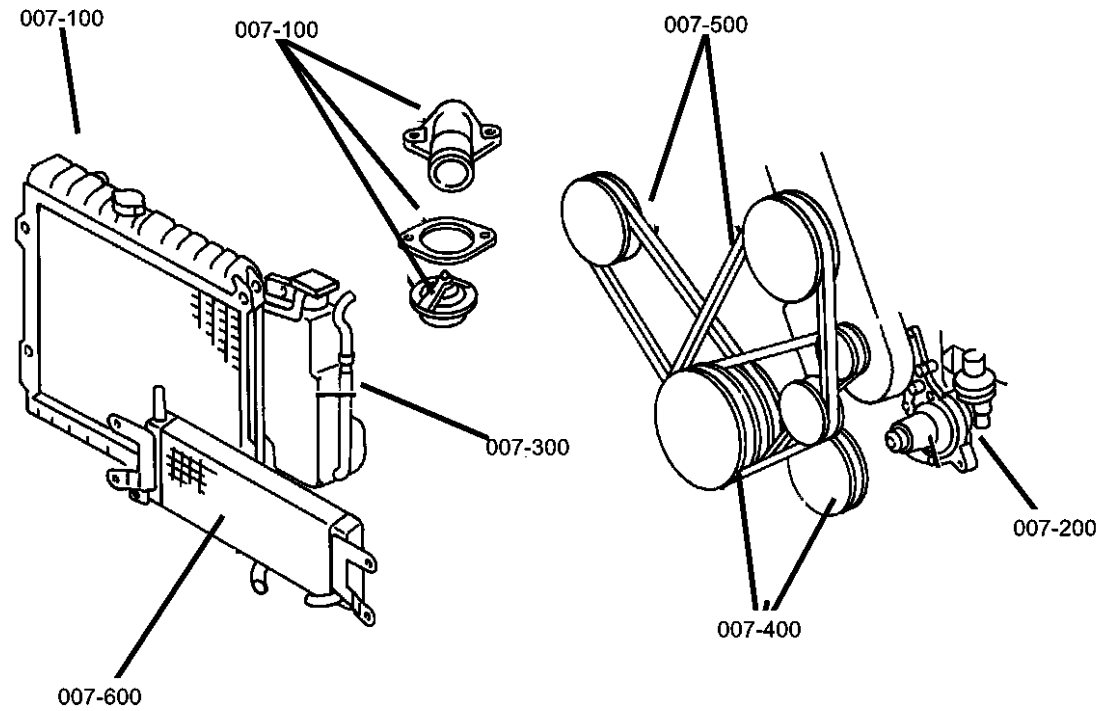


Illustration Title

Group-Fig. No.

#### Radiator and Related Parts

Radiator and Related Parts, 2.4L Engine .....	Fig. 7 - 110
Radiator and Related Parts, 3.7L Engine .....	Fig. 7 - 120
Radiator and Related Parts, 2.8L Diesel Engine.....	Fig. 7 - 130
Support Assy. - Radiator .....	Fig. 7 - 140
Charge Air Cooler.....	Fig. 7 - 150

#### Water Pump and Related Parts

Water Pump and Related Parts, 2.4L Engine .....	Fig. 7 - 210
Water Pump and Related Parts, 3.7L Engine .....	Fig. 7 - 220
Water Pump and Related Parts, 2.8L Diesel Engine .....	Fig. 7 - 230

#### Tank, Coolant Engine

Coolant Tank, 2.4L Engine .....	Fig. 7 - 305
Coolant Tank, 3.7L Engine .....	Fig. 7 - 310
Coolant Degasser Tank, 2.8L Diesel Engine.....	Fig. 7 - 320

#### Pulleys and Related Parts

Drive Pulleys, 2.4L Engine .....	Fig. 7 - 410
Drive Pulleys, 3.7L Engine .....	Fig. 7 - 420
Drive Pulleys, 2.8L Diesel Engine.....	Fig. 7 - 430

#### Drive Belts

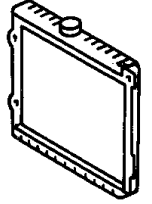
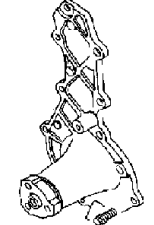
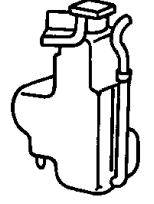
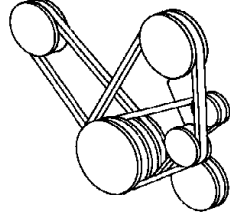
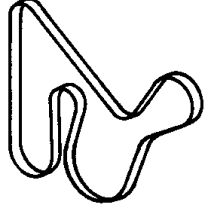
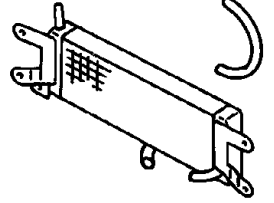
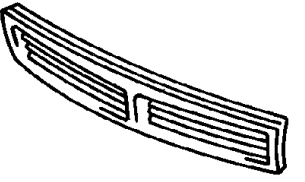
Drive Belts, 2.4L Engine .....	Fig. 7 - 510
Drive Belts, 3.7L Engine .....	Fig. 7 - 520
Drive Belts, 2.8L Diesel Engine .....	Fig. 7 - 530

#### Lines, Transmission Oil Cooler

Oil Cooler Lines .....	Fig. 7 - 610
------------------------	--------------

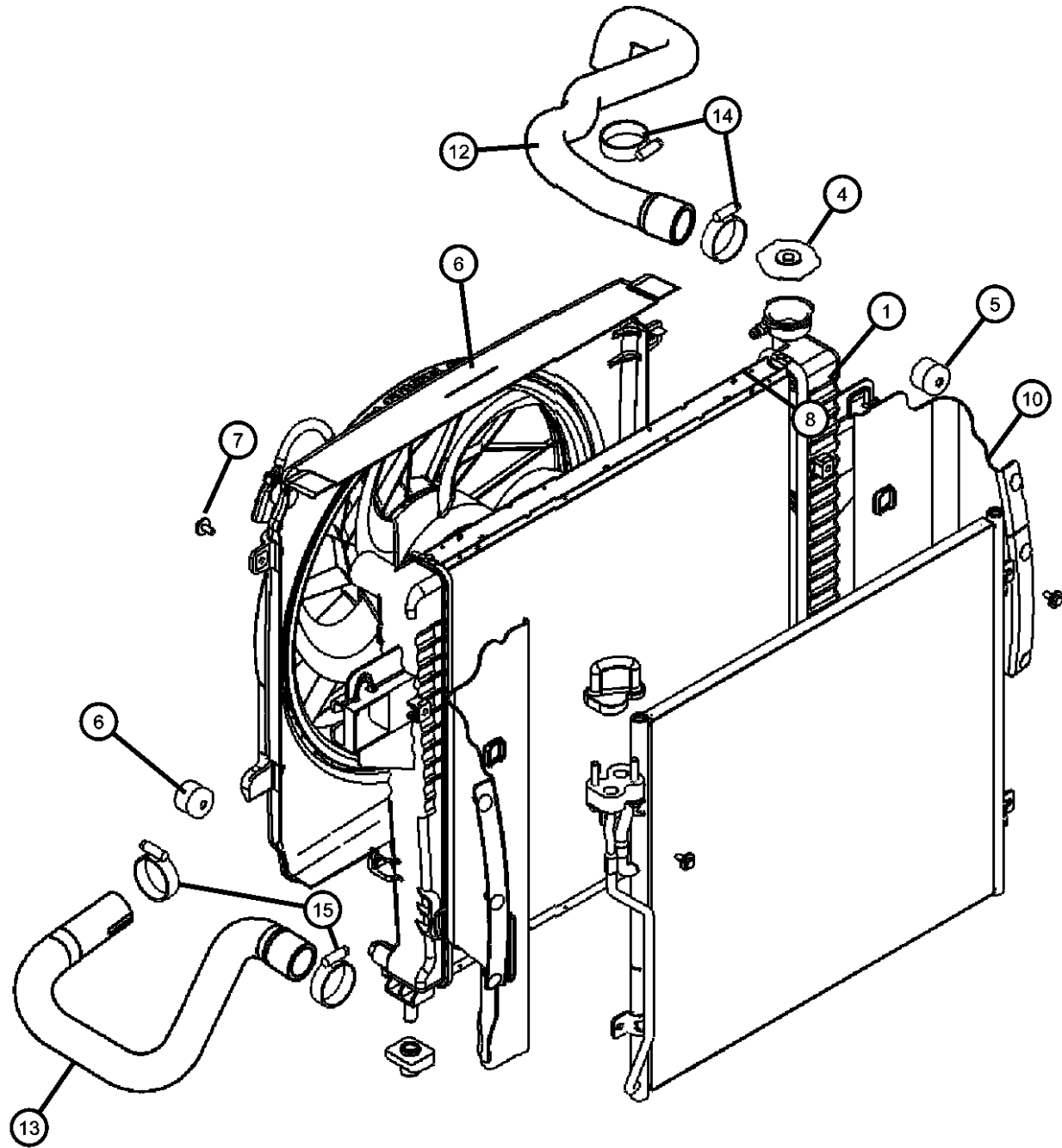
#### Grilles

Grille and Related Parts .....	Fig. 7 - 710
--------------------------------	--------------

<p><b>007-100</b> Radiator and Related Parts</p> 	<p><b>007-200</b> Water Pump and Related Parts</p> 	<p><b>007-300</b> Tank, Coolant Engine</p> 	<p><b>007-400</b> Pulleys and Related Parts</p> 
<p><b>007-500</b> Drive Belts</p> 	<p><b>007-600</b> Lines, Transmission Oil Cooler</p> 	<p><b>007-700</b> Grilles</p> 	



**Radiator and Related Parts, 2.4L Engine**  
**Figure 7-110**



ITEM	PART NUMBER	QTY	LINE	SERIES	BODY	ENGINE	TRANS	TRIM	DESCRIPTION
	Note; Sales Codes [ED0]= All 2.2L, 2.5L, 2.4L, 4 Cylinder Gas Engines [DBB]= Manual Trans.								
1	52080123AC 05066386AA	1				ED0	DBB		RADIATOR, Engine Cooling Mopar Coolant 5 Year/100,000 Mile Formula 1 Gallon
-2	55176756AE	1							SUPPORT, Radiator
-3	55176763AF	1							CROSSMEMBER, Radiator
4	55116901AA	1				ED0	DBB		CAP, Radiator
5									ISOLATOR, Radiator
	52079651AA	2				ED0	DBB		Upper
	52079666AA	2				ED0	DBB		Lower
6	55037692AB	1				ED0	DBB		SHROUD, Fan
7	55037692AB	1							BOLT AND CONED WASHER, Hex Head, M6x14x12.5, (NOT SERVICED)
8	05143008AA	1				ED0	DBB		SEAL, Radiator Side Air
-9	06036155AA	3				ED0	DBB		PIN, Push
10	05143009AA	1				ED0	DBB		SEAL, Thermostat Housing
-11	J4004262	4				ED0	DBB		PIN, Push, .15x.41
12	52079713AC	1				ED0			HOSE, Radiator Outlet
13	52079706AB	1				ED0			HOSE, Radiator Inlet
14	06033135	1				ED0			CLAMP
15	06033135	1				ED0			CLAMP
-16	53010552AA	1				ED0			THERMOSTAT
-17	06503334	1				ED0			BOLT, Hex Flange Head, M8x1.25x28
-18	53010554AA	1				ED0			GASKET, Thermostat
-19	53010553AB	1				ED0			HOUSING, Thermostat
-20	04644269	1				ED0	DBB		DRAINCOCK, Radiator
-21	04781489AA	1				ED0			CONNECTOR, Water Outlet
22	05143010AB	1				ED0	DBB		CONDENSER, Air Conditioning

**LIBERTY (KJ)**

SERIES      LINE  
 P = LIMITED      J = JEEP - 4WD  
 H = SPORT      U = JEEP - 4WD (RHD)  
 M = RENEGADE      T = JEEP - 2WD

BODY  
 74 = SPORT UTILITY 4-DR

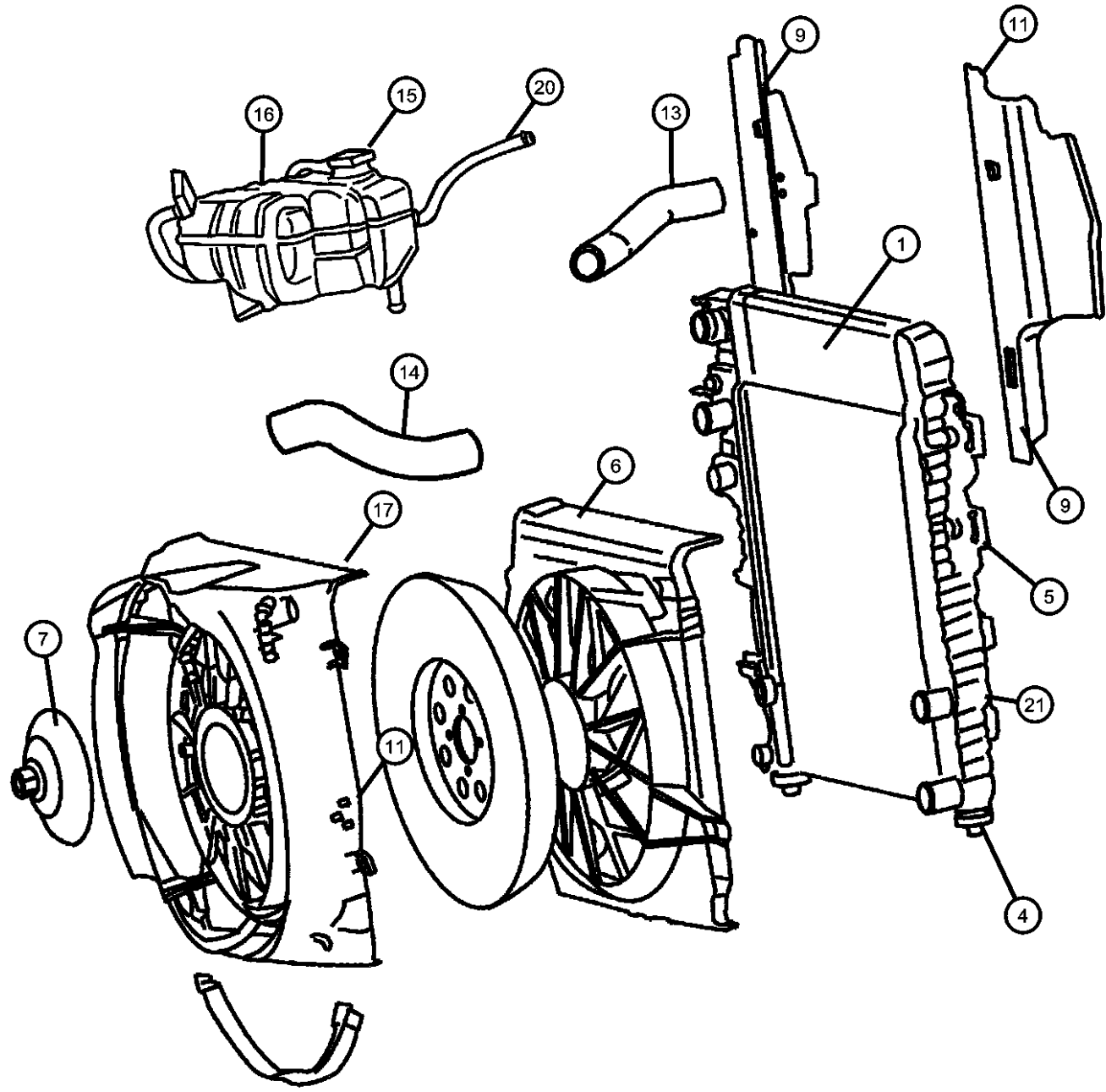
ENGINE  
 ED1 = Engine - 2.4L 4 Cyl  
 DOHC 16v SMPI  
 EKG = Engine - 3.7L V6  
 ENR = Engine - 2.8L 4 Cyl  
 Turbo Diesel  
 ENO = 4CYL turbo diesel

TRANSMISSION  
 DGQ = Transmission-5-Spd Automatic  
 5-45RFE  
 DG6 = Transmission-4-Spd.  
 Automatic, 42RLE  
 DEH = Transmission-6-Speed Manual,  
 NSG370  
 DG0 = Transmissions - All Automatic  
 DBB = ALL MANUAL  
 TRANSMISSIONS

AR = use ase required - = Non illustrated part

2005 KJ

**Radiator and Related Parts, 3.7L Engine  
Figure 7-120**

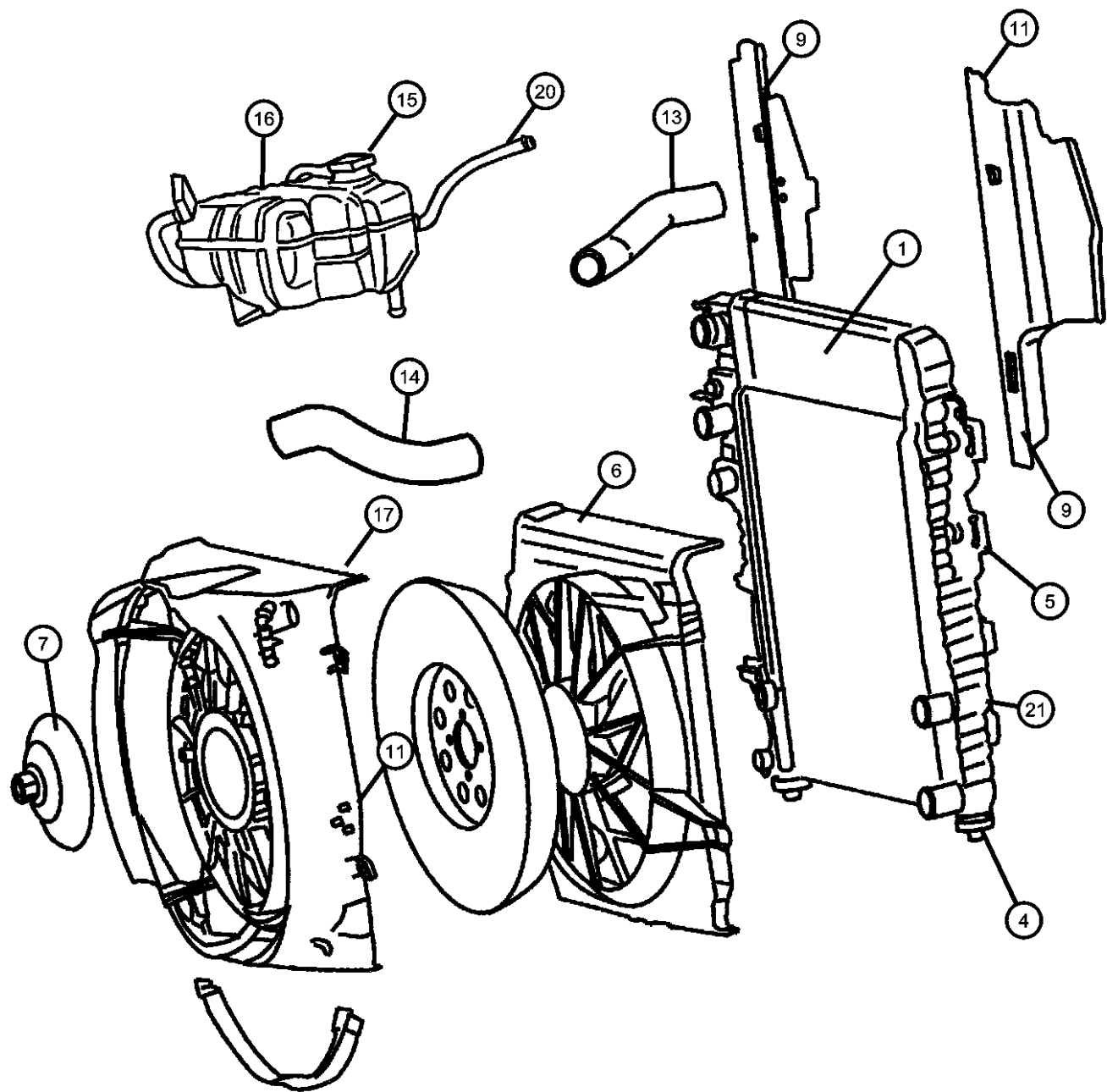


ITEM	PART NUMBER	QTY	LINE	SERIES	BODY	ENGINE	TRANS	TRIM	DESCRIPTION
	Note; Sales Codes [EK0]= All 3.7L, 6 Cylinder Gas Engines [DBB]= Manual Trans [DG0]= Auto Trans								
1	52080120AC	1				EK0	DBB		RADIATOR, Engine Cooling
	05066386AA								Mopar Coolant 5 Year/100,000 Mile Formula 1 Gallon
	05066386AA	1				EK0	DG0		Mopar Coolant 5 Year/100,000 Mile Formula 1 Gallon
-2	55176756AE	1							SUPPORT, Radiator, Lower
-3	55176763AF	1							CROSSMEMBER, Radiator
4	52079651AA	2				EK0	DBB		ISOLATOR, Radiator
		2				EK0	DG0		
5	55037465AC	1				EK0	DBB		CONDENSER, Air Conditioning
		1				EK0	DG0		
6	55037691AA	1				EK0	DBB		FAN, Cooling, Electric
		1				EK0	DG0		[NMC]
	55037692AB	1				EK0	DG0		
7	52079718AD	1				EK0			DRIVE, Fan, Viscous
-8	52079654AD	1				EK0			FAN, Cooling, Mechanical
9	52079766AF	1				EK0	DBB		SEAL, Radiator Side Air
-10	06036155AA	6							PIN, Push
11	52079767AE	1				EK0	DBB		SEAL, Radiator Side Air
-12	J4004262	4				EK0	DBB		PIN, Push, .15x.41
13	52079703AB	1				EK0			HOSE, Radiator Inlet
14	52079712AC	1				EK0			HOSE, Radiator Outlet
15	04596198	1				EK0			CAP, Radiator
16	52079788AD	1				EK0			BOTTLE, Pressurized Coolant
17									SHROUD, Fan

<b>LIBERTY (KJ)</b>				
SERIES	LINE	BODY	ENGINE	TRANSMISSION
P = LIMITED	J = JEEP - 4WD	74 = SPORT UTILITY 4-DR	ED1 = Engine - 2.4L 4 Cyl DOHC 16v SMPI	DGQ = Transmission-5-Spd Automatic 5-45RFE
H = SPORT	U = JEEP - 4WD (RHD)		EKG = Engine - 3.7L V6	DG6 = Transmission-4-Spd. Automatic, 42RLE
M = RENEGADE	T = JEEP - 2WD		ENR = Engine - 2.8L 4 Cyl Turbo Diesel	DEH = Transmission-6-Speed Manual, NSG370
			ENO = 4CYL turbo diesel	DG0 = Transmissions - All Automatic
				DBB = ALL MANUAL TRANSMISSIONS

AR = use ase required - = Non illustrated part

Radiator and Related Parts, 3.7L Engine  
Figure 7-120



ITEM	PART NUMBER	QTY	LINE	SERIES	BODY	ENGINE	TRANS	TRIM	DESCRIPTION
	52080127AA	1				EK0	DBB		
		1				EK0	DG0		[NMC]
	55037692AB	1				EK0	DG0		[-NMC]
-18									DRAINCOCK, Radiator
	04644269	1				EK0	DBB		
		1				EK0	DG0		
-19	53020887AB	1				EK0			HOUSING, Thermostat
20	55037642AB	1				EK0			CLIP, Hose
21	05143014AA	1				EK0	DG0		COOLER, Oil

LIBERTY (KJ)

SERIES      LINE  
P = LIMITED      J = JEEP - 4WD  
H = SPORT      U = JEEP - 4WD (RHD)  
M = RENEGADE      T = JEEP - 2WD

BODY  
74 = SPORT UTILITY 4-DR

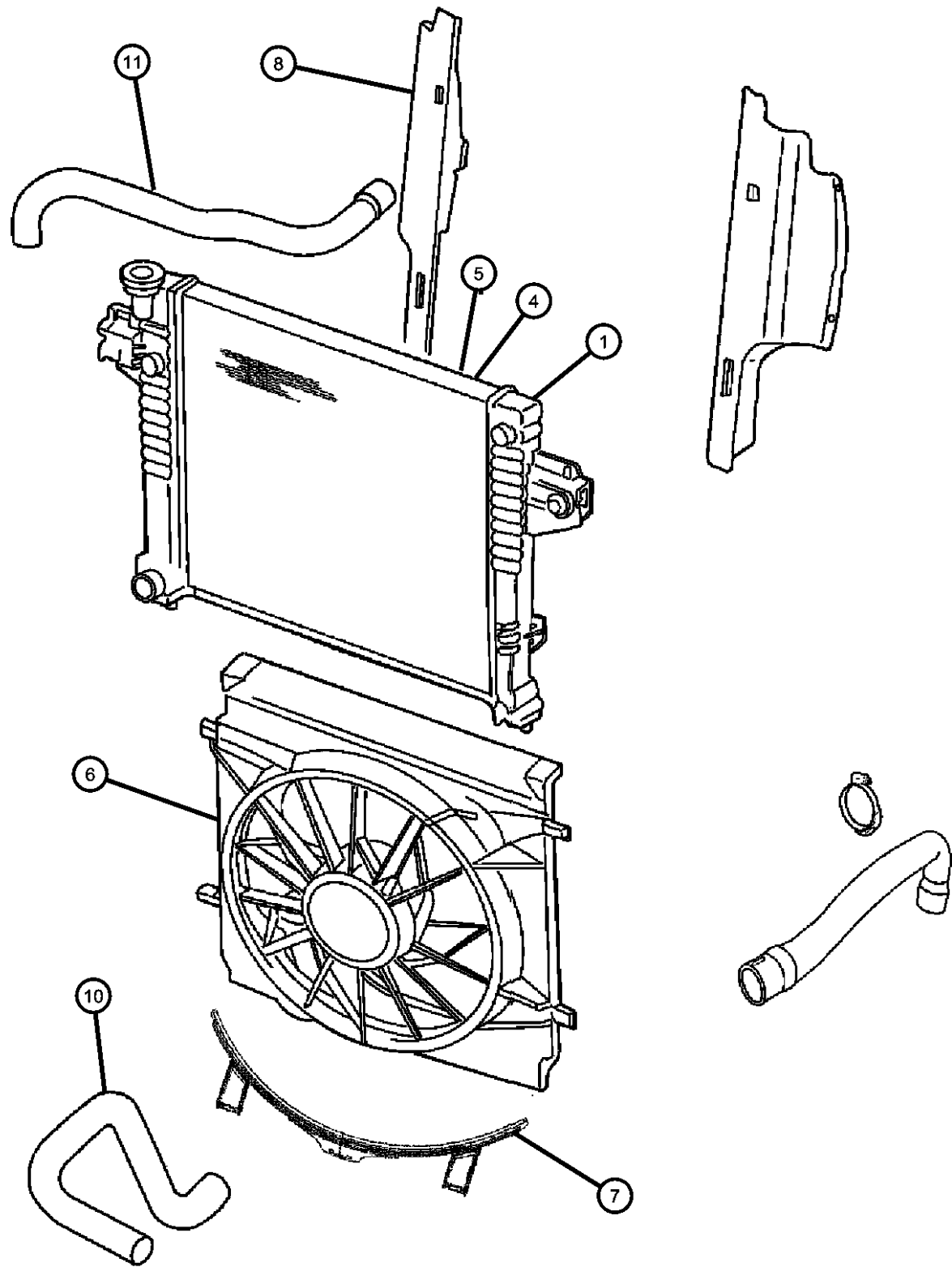
ENGINE  
ED1 = Engine - 2.4L 4 Cyl  
DOHC 16v SMPI  
EKG = Engine - 3.7L V6  
ENR = Engine - 2.8L 4 Cyl  
Turbo Diesel  
ENO = 4CYL turbo diesel

TRANSMISSION  
DGQ = Transmission-5-Spd Automatic  
5-45RFE  
DG6 = Transmission-4-Spd.  
Automatic, 42RLE  
DEH = Transmission-6-Speed Manual,  
NSG370  
DG0 = Transmissions - All Automatic  
DBB = ALL MANUAL  
TRANSMISSIONS

AR = use ase required - = Non illustrated part

2005 KJ

**Radiator and Related Parts, 2.8L Diesel Engine  
Figure 7-130**



ITEM	PART NUMBER	QTY	LINE	SERIES	BODY	ENGINE	TRANS	TRIM	DESCRIPTION
------	-------------	-----	------	--------	------	--------	-------	------	-------------

Sales Codes  
[EN0]= All 4 Cylinder Diesel Engine  
[DBB]= Manual Trans

1									RADIATOR, Engine Cooling
	05143023AA	1				EN0	DBB		
	05174154AB	1				EN0	DG0		
-2	55176756AE	1							SUPPORT, Radiator
-3	55176763AF	1							CROSSMEMBER, Radiator
4	05143010AB	1				EN0	DBB		CONDENSER, Air Conditioning
5	05143029AB	1				EN0	DG0		COOLER, Condenser and Aux TOC
6									SHROUD, Fan
	05143022AA	1				EN0	DG0		For Electric Fan
		1				EN0	DBB		For Electric Fan
7	52079879AB	1				EN0			SHROUD, Fan, Cooling Module Access Door, [EN0] Engine Only
8									SEAL, Radiator Side Air
	05143025AA	1				EN0	DBB		Right
		1				EN0	DG0		Right
	05143026AA	1				EN0	DBB		Left
		1				EN0	DG0		Left
-9									PIN, Push, .15x.41
	J4004262	4				EN0	DG0		
		4				EN0	DBB		
10	55037921AD	1				EN0			HOSE, Radiator Outlet
11	55037920AB	1				EN0			HOSE, Radiator Inlet
-12									FAN, Cooling
	05143021AA	1				EN0	DBB		Electric
		1				EN0	DG0		Electric
	52079727AA	1				EN0			Mechanical
-13	55037733AD	1				EN0			DRIVE, Fan, Viscous

**LIBERTY (KJ)**

SERIES      LINE  
P = LIMITED      J = JEEP - 4WD  
H = SPORT      U = JEEP - 4WD (RHD)  
M = RENEGADE      T = JEEP - 2WD

BODY  
74 = SPORT UTILITY 4-DR

ENGINE  
ED1 = Engine - 2.4L 4 Cyl  
DOHC 16v SMPI  
EKG = Engine - 3.7L V6  
ENR = Engine - 2.8L 4 Cyl  
Turbo Diesel  
ENO = 4CYL turbo diesel

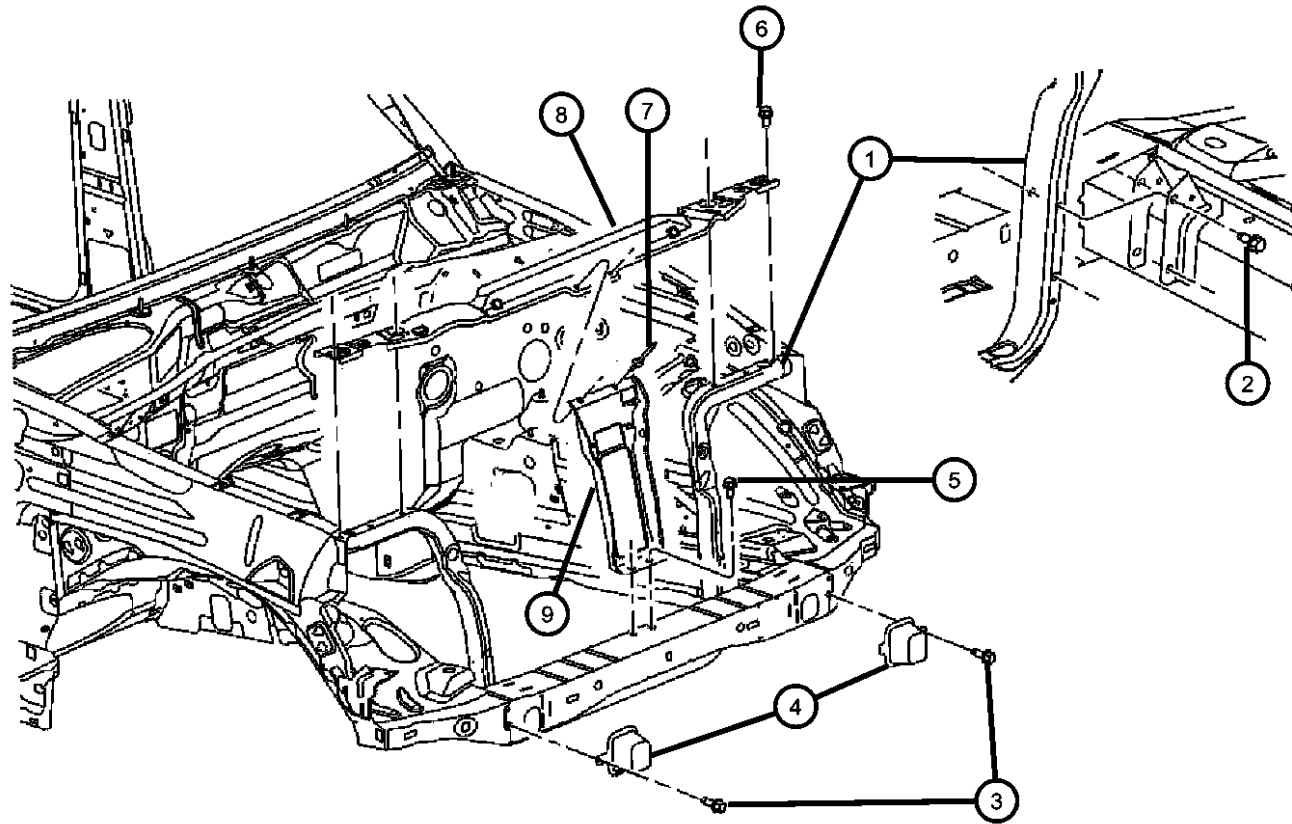
TRANSMISSION  
DGQ = Transmission-5-Spd Automatic  
5-45RFE  
DG6 = Transmission-4-Spd.  
Automatic, 42RLE  
DEH = Transmission-6-Speed Manual,  
NSG370  
DG0 = Transmissions - All Automatic  
DBB = ALL MANUAL  
TRANSMISSIONS

AR = use ase required - = Non illustrated part

2005 KJ

**Support Assy. - Radiator  
Figure 7-140**

ITEM	PART NUMBER	QTY	LINE	SERIES	BODY	ENGINE	TRANS	TRIM	DESCRIPTION
1	55176756AE	1							SUPPORT, Radiator
2	06102142AA	6							SCREW, Hex Head, M6x1x15
3	06505903AA	2							SCREW AND WASHER, Self Tapping, M6x1x22, Crush Can
4	55360410AA	2							SPACER, Jounce Bumper
5	06505903AA	2							SCREW AND WASHER, Self Tapping, M6x1x22, Hood Latch Support Attach Lower Crossmember
6	06505903AA	4							SCREW AND WASHER, Self Tapping, M6x1x22, Upper Attach Hydroform
7	06036456AA	2							RIVET
8	55360190AH	1							CROSSMEMBER, Front SupportFront Bumper
9	55176763AF	1							CROSSMEMBER, RadiatorUpper
10	55360694AB	1							REINFORCEMENT, Hood Latch



**LIBERTY (KJ)**

SERIES      LINE  
P = LIMITED      J = JEEP - 4WD  
H = SPORT      U = JEEP - 4WD (RHD)  
M = RENEGADE      T = JEEP - 2WD

BODY  
74 = SPORT UTILITY 4-DR

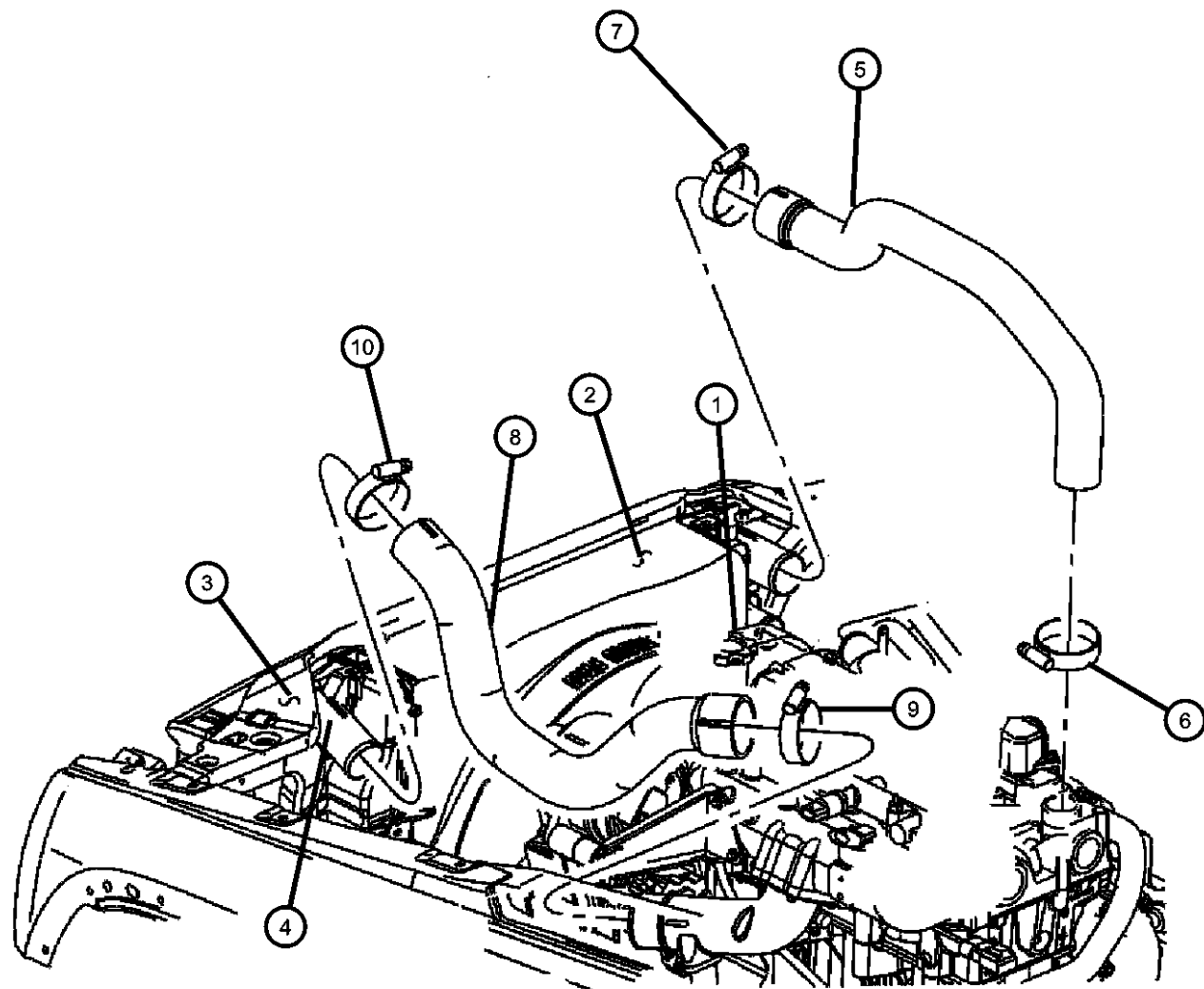
ENGINE  
ED1 = Engine - 2.4L 4 Cyl DOHC 16v SMPI  
EKG = Engine - 3.7L V6  
ENR = Engine - 2.8L 4 Cyl Turbo Diesel  
ENO = 4CYL turbo diesel

TRANSMISSION  
DGQ = Transmission-5-Spd Automatic 5-45RFE  
DG6 = Transmission-4-Spd. Automatic, 42RLE  
DEH = Transmission-6-Speed Manual, NSG370  
DG0 = Transmissions - All Automatic  
DBB = ALL MANUAL TRANSMISSIONS

AR = use ase required - = Non illustrated part

2005 KJ

**Charge Air Cooler  
Figure 7-150**



ITEM	PART NUMBER	QTY	LINE	SERIES	BODY	ENGINE	TRANS	TRIM	DESCRIPTION
------	-------------	-----	------	--------	------	--------	-------	------	-------------

NOTE:  
Sales Codes:  
[DBB]=All Manual Transmissions  
[DG0]=All Automatic Transmissions  
[EN0]=All 4/5 Cylinder Turbo Diesel Engines

1	55360694AB	1							ENGINE, Complete, Diesel, See Group [2.8L], (NOT SERVICED)
2	55360694AB	1							MODULE, Cooling, See Group 007, (NOT SERVICED)
3	55360694AB	1							CROSSMEMBER, Radiator, See Group 007, (NOT SERVICED)
4									COOLER, Charge Air
	05143020AA	1				EN0	DBB		
						EN0	DG0		
5	55037729AC	1				EN0			HOSE, Charge Air Cooler, Charge Air Cooler Inlet Hose
6	06105105AA	1				EN0			CLAMP, HOSE CLAMP, Turbo Ftg. and Hose
7	06105105AA	1				EN0			CLAMP, HOSE CLAMP, Charge Air Cooler Inlet
8	55037730AC	1				EN0			HOSE, Charge Air Cooler, Charge Air Cooler Outlet Hose
9	06104795AA	1				EN0			CLAMP, Hose, Engine Inlet
10	06104795AA	1				EN0			CLAMP, Hose, Charge Air Cooler Outlet

**LIBERTY (KJ)**

SERIES      LINE  
P = LIMITED      J = JEEP - 4WD  
H = SPORT      U = JEEP - 4WD (RHD)  
M = RENEGADE      T = JEEP - 2WD

BODY  
74 = SPORT UTILITY 4-DR

ENGINE  
ED1 = Engine - 2.4L 4 Cyl DOHC 16v SMPI  
EKG = Engine - 3.7L V6  
ENR = Engine - 2.8L 4 Cyl Turbo Diesel  
ENO = 4CYL turbo diesel

TRANSMISSION  
DGQ = Transmission-5-Spd Automatic 5-45RFE  
DG6 = Transmission-4-Spd. Automatic, 42RLE  
DEH = Transmission-6-Speed Manual, NSG370  
DG0 = Transmissions - All Automatic  
DBB = ALL MANUAL TRANSMISSIONS

AR = use ase required - = Non illustrated part

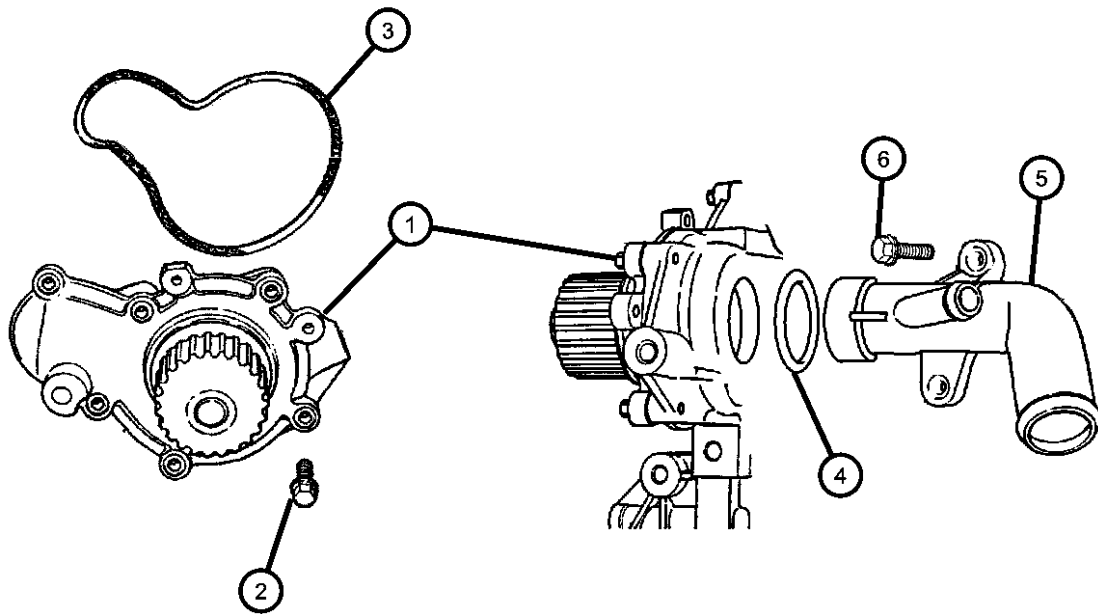
2005 KJ

**Water Pump and Related Parts, 2.4L Engine  
Figure 7-210**

ITEM	PART NUMBER	QTY	LINE	SERIES	BODY	ENGINE	TRANS	TRIM	DESCRIPTION
------	-------------	-----	------	--------	------	--------	-------	------	-------------

Note; Sales Codes  
 [ED0]= All 2.2L, 2.5L, 2.4L, 4 C  
 [EK0]= All 3.7L, 6 Cylinder Gas Engines

1	04694307AC	1				ED0			PUMP, Water
2	06503255	4				ED0			BOLT, Hex Head, M6x1.0x22
3	04621564	1				ED0			SEAL, Water Pump Body
4	06503180	1				ED0			O RING, Water Inlet Tube
5	53010517AC	1				ED0			TUBE, Water Pump Inlet
6	06506770AA	5				ED0			SCREW



**LIBERTY (KJ)**

SERIES      LINE  
 P = LIMITED      J = JEEP - 4WD  
 H = SPORT      U = JEEP - 4WD (RHD)  
 M = RENEGADE      T = JEEP - 2WD

BODY  
 74 = SPORT UTILITY 4-DR

ENGINE  
 ED1 = Engine - 2.4L 4 Cyl  
 DOHC 16v SMPI  
 EKG = Engine - 3.7L V6  
 ENR = Engine - 2.8L 4 Cyl  
 Turbo Diesel  
 ENO = 4CYL turbo diesel

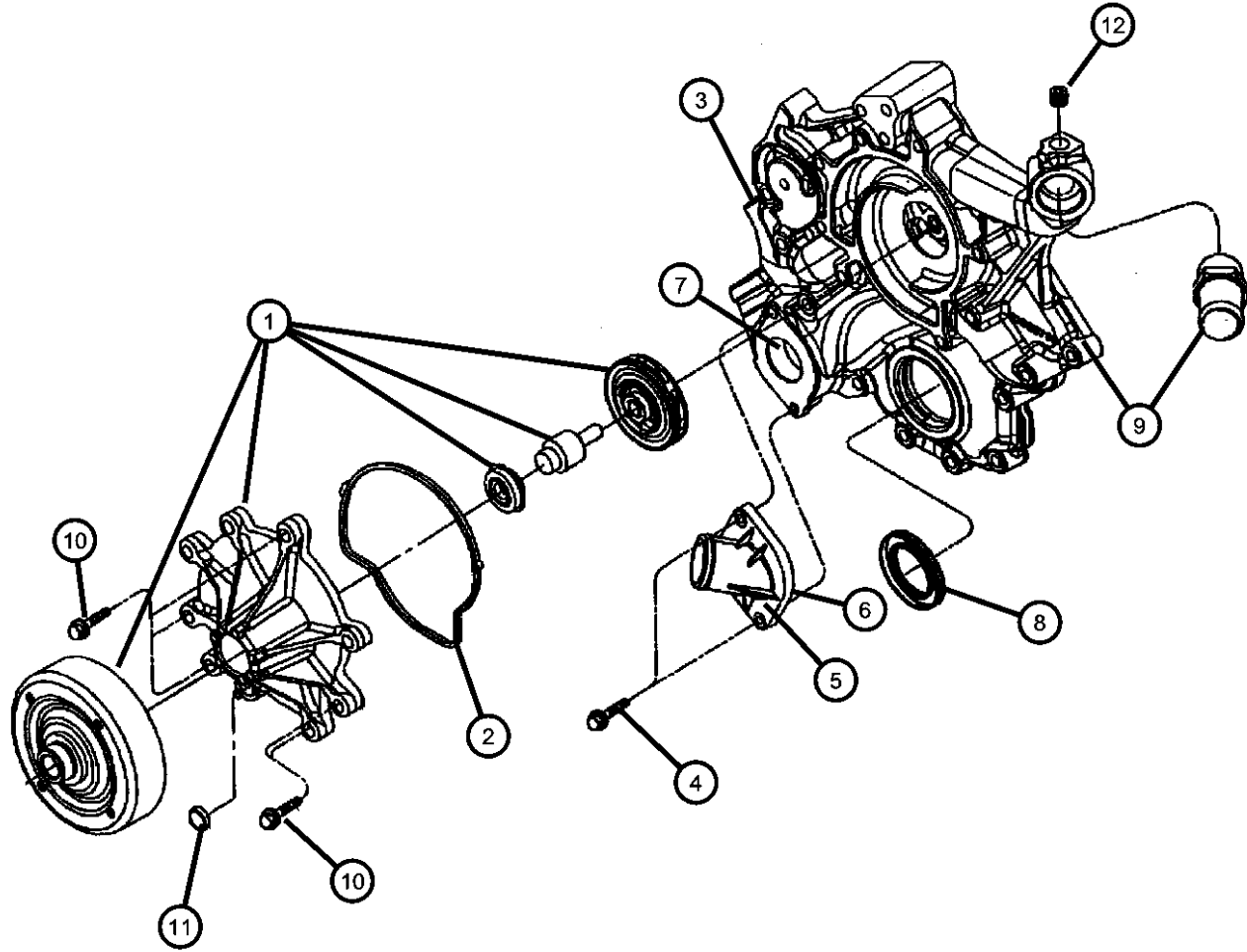
TRANSMISSION  
 DGQ = Transmission-5-Spd Automatic  
 5-45RFE  
 DG6 = Transmission-4-Spd.  
 Automatic, 42RLE  
 DEH = Transmission-6-Speed Manual,  
 NSG370  
 DG0 = Transmissions - All Automatic  
 DBB = ALL MANUAL  
 TRANSMISSIONS

AR = use ase required - = Non illustrated part

2005 KJ

**Water Pump and Related Parts, 3.7L Engine  
Figure 7-220**

ITEM	PART NUMBER	QTY	LINE	SERIES	BODY	ENGINE	TRANS	TRIM	DESCRIPTION
Note; Sales Codes [ED0]= All 2.2L, 2.5L, 2.4L, 4 C [EK0]= All 3.7L, 6 Cylinder Gas Engines									
1	53021187AA	1				EK0			PUMP, Water
2	53020865	1				EK0			GASKET, Water Pump
3	06035854	2				EK0			FITTING, Y-Style
4	06505502AA	2				EK0			SCREW
5	53020887AB	1				EK0			HOUSING, Thermostat
6	53020887AB	1							GASKET, Thermostat, Use RTV Sealer, (NOT SERVICED)
7	52079476AC	1				EK0			THERMOSTAT
8	53021313AA	1				EK0			SEAL, Crankshaft Oil, Front
9	53021238AB	1				EK0			COVER, Timing Belt
10	06102380AA	5				EK0			SCREW, Hex Flange Head
11	06102380AA	5							PLUG, (NOT SERVICED)
12	06102380AA	5							PLUG, (NOT SERVICED)
-13	53013505AA	1				EK0			CAP, Water Pump Pulley



**LIBERTY (KJ)**

SERIES      LINE  
P = LIMITED      J = JEEP - 4WD  
H = SPORT      U = JEEP - 4WD (RHD)  
M = RENEGADE      T = JEEP - 2WD

BODY  
74 = SPORT UTILITY 4-DR

ENGINE  
ED1 = Engine - 2.4L 4 Cyl DOHC 16v SMPI  
EKG = Engine - 3.7L V6  
ENR = Engine - 2.8L 4 Cyl Turbo Diesel  
ENO = 4CYL turbo diesel

TRANSMISSION  
DGQ = Transmission-5-Spd Automatic 5-45RFE  
DG6 = Transmission-4-Spd. Automatic, 42RLE  
DEH = Transmission-6-Speed Manual, NSG370  
DG0 = Transmissions - All Automatic  
DBB = ALL MANUAL TRANSMISSIONS

AR = use ase required    - = Non illustrated part

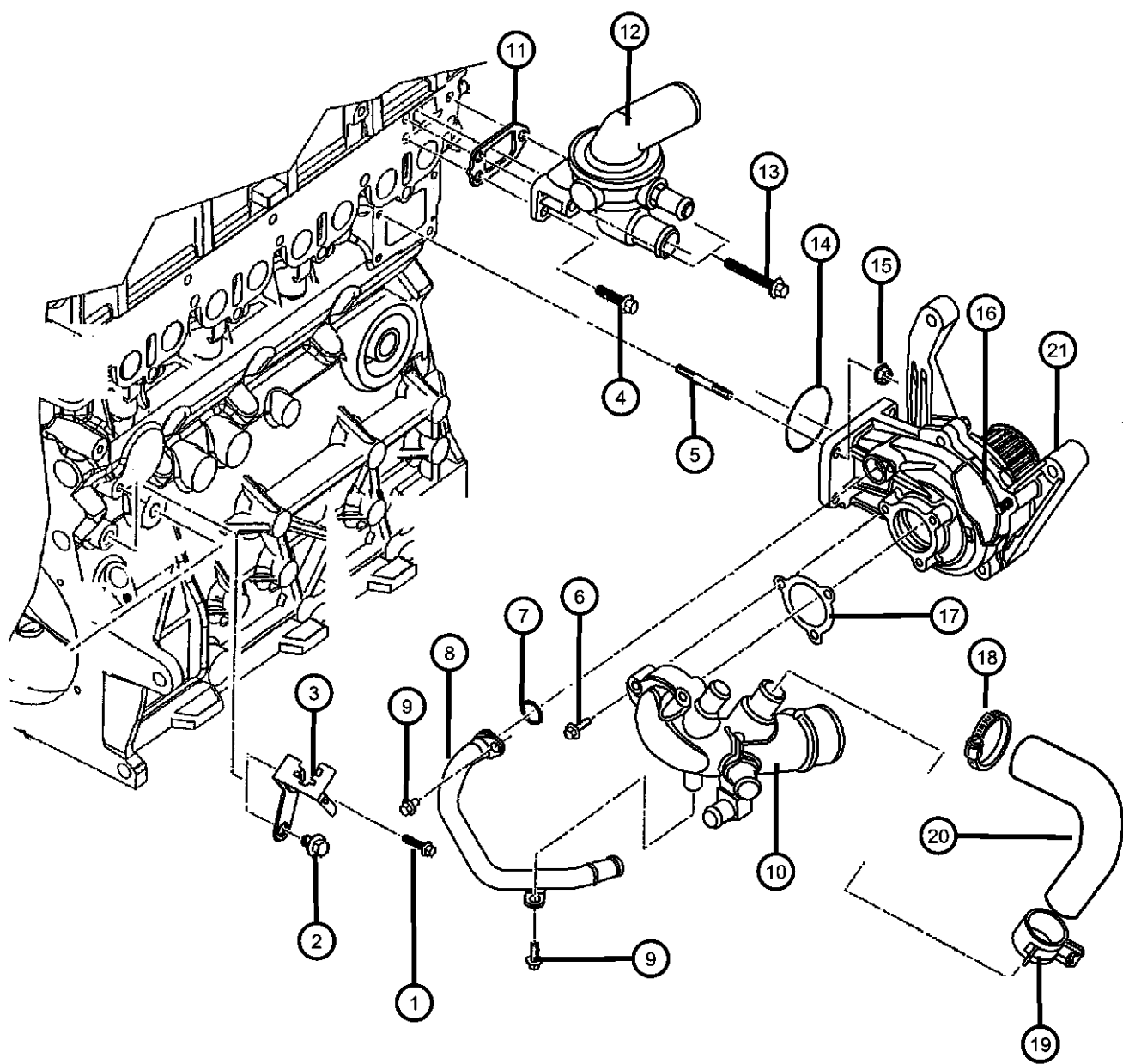
2005 KJ





### Water Pump and Related Parts, 2.8L Diesel Engine

Figure 7-230



ITEM	PART NUMBER	QTY	LINE	SERIES	BODY	ENGINE	TRANS	TRIM	DESCRIPTION
10		1				EN0	DBB		ADAPTER, Water Pump
	05096235AA	1				EN0	DG0		
		1				EN0	DBB		
11		1				EN0	DG0		U.S. Market
	05066806AA	1				EN0	DG0		GASKET, Thermostat
		1				EN0	DG0		U.S. Market
		1				EN0	DBB		
12		1				EN0	DG0		THERMOSTAT
	05142601AA	1				EN0	DG0		
		1				EN0	DG0		U.S. Market
		1				EN0	DBB		
13		2				EN0	DG0		BOLT
	05015113AA	2				EN0	DG0		U.S. Market
		2				EN0	DG0		
		2				EN0	DBB		
14		1				EN0	DBB		O RING, Water Pump
	05159019AA	1				EN0	DG0		U.S. Market
		1				EN0	DG0		
		1				EN0	DG0		
15		7				EN0	DG0		NUT
	04778961	7				EN0	DG0		U.S. Market
		7				EN0	DG0		
		7				EN0	DBB		
16		1				EN0	DG0		O RING
	05072707AA	1				EN0	DG0		U.S. Market
		1				EN0	DBB		
		1				EN0	DG0		
17		1				EN0	DG0		GASKET, Water Pump
	04864575	1				EN0	DG0		U.S. Market

**LIBERTY (KJ)**

SERIES      LINE  
P = LIMITED      J = JEEP - 4WD  
H = SPORT      U = JEEP - 4WD (RHD)  
M = RENEGADE      T = JEEP - 2WD

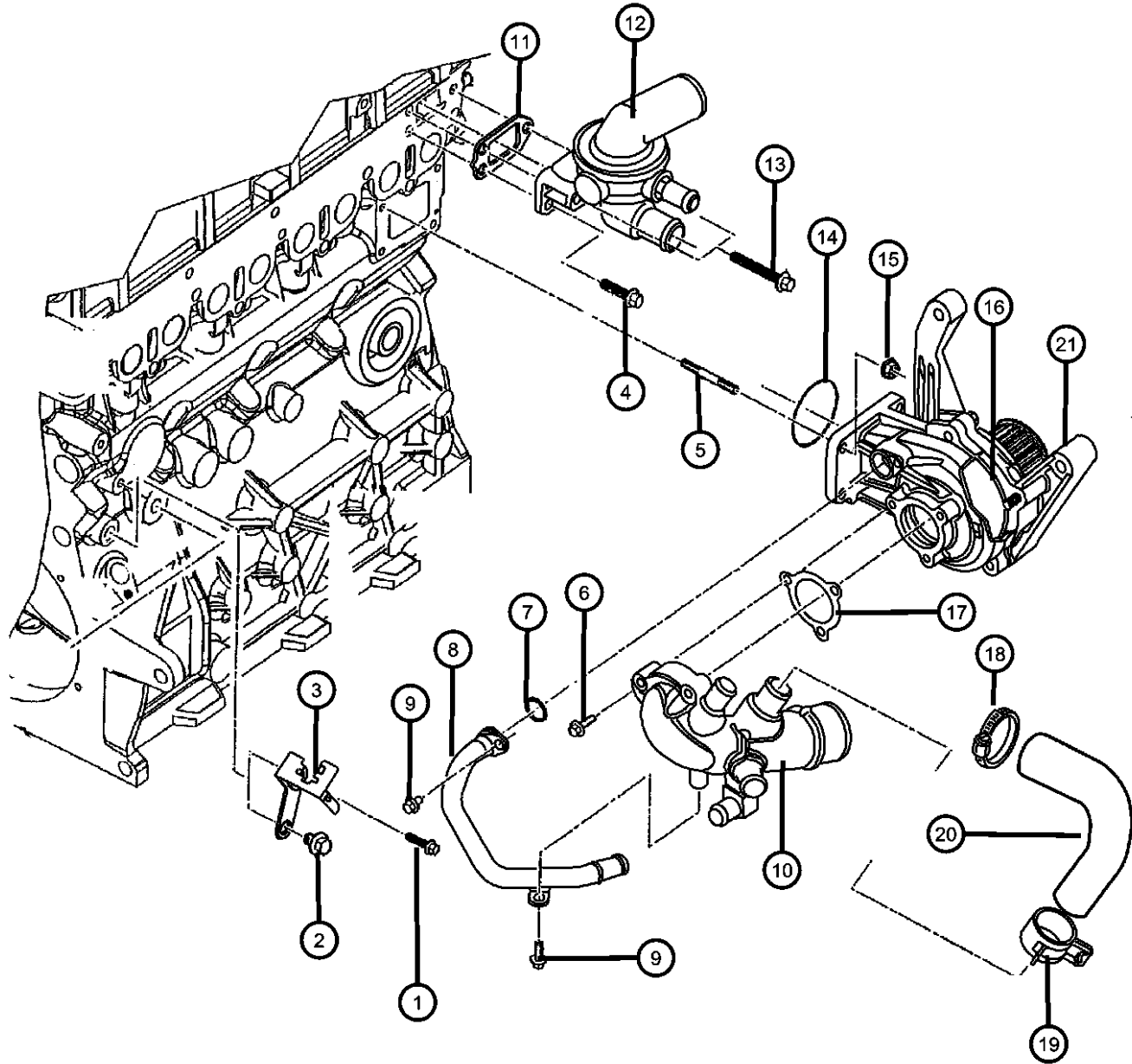
BODY  
74 = SPORT UTILITY 4-DR

ENGINE  
ED1 = Engine - 2.4L 4 Cyl  
DOHC 16v SMPI  
EKG = Engine - 3.7L V6  
ENR = Engine - 2.8L 4 Cyl  
Turbo Diesel  
ENO = 4CYL turbo diesel

TRANSMISSION  
DGQ = Transmission-5-Spd Automatic  
5-45RFE  
DG6 = Transmission-4-Spd.  
Automatic, 42RLE  
DEH = Transmission-6-Speed Manual,  
NSG370  
DG0 = Transmissions - All Automatic  
DBB = ALL MANUAL  
TRANSMISSIONS

AR = use ase required    - = Non illustrated part

**Water Pump and Related Parts, 2.8L Diesel Engine**  
**Figure 7-230**



ITEM	PART NUMBER	QTY	LINE	SERIES	BODY	ENGINE	TRANS	TRIM	DESCRIPTION
		1				EN0	DG0		
		1				EN0	DBB		
18	06104795AA	1				EN0			CLAMP, Hose
19									CLAMP, Heater Hose
	04886050AA	1				EN0	DG0		U.S. Market
		1				EN0	DBB		
20									HOSE, Coolant
	05142788AA	1				EN0	DG0		U.S. Market
		1				EN0	DG0		
		1				EN0	DBB		
21									PUMP, Water
	05142985AA	1				EN0	DG0		
		1				EN0	DG0		US Market

**LIBERTY (KJ)**

SERIES      LINE  
P = LIMITED      J = JEEP - 4WD  
H = SPORT      U = JEEP - 4WD (RHD)  
M = RENEGADE      T = JEEP - 2WD

BODY  
74 = SPORT UTILITY 4-DR

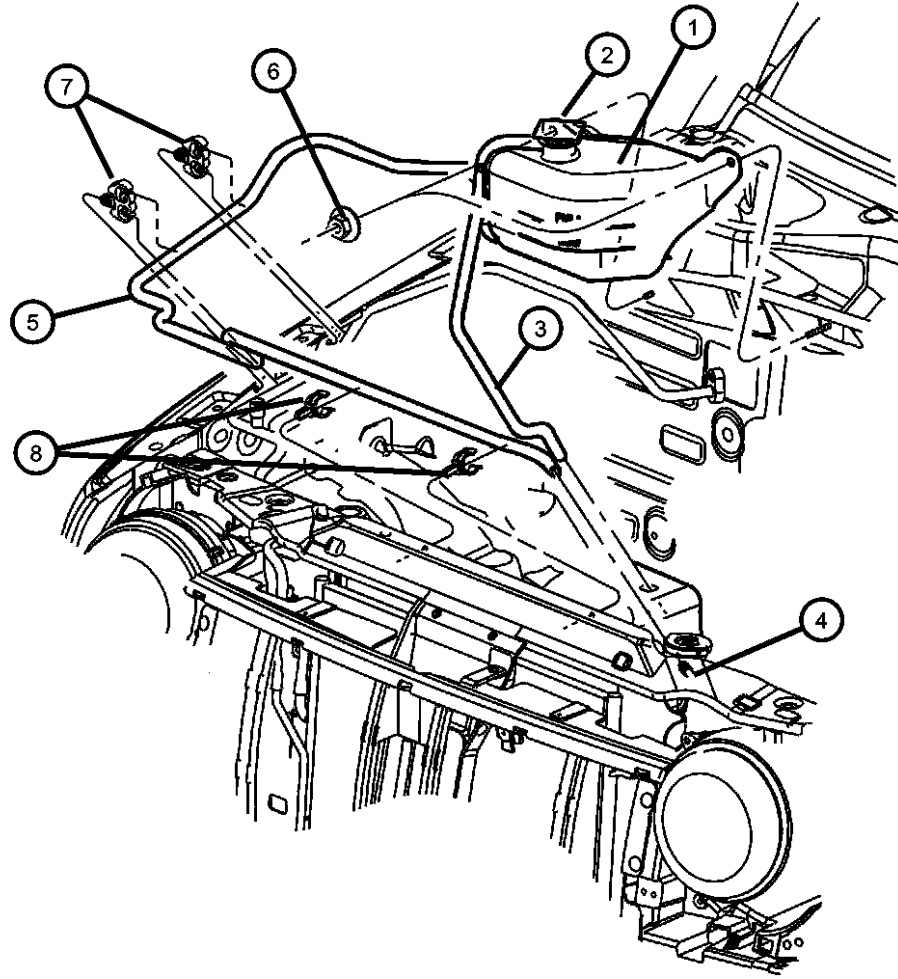
ENGINE  
ED1 = Engine - 2.4L 4 Cyl  
DOHC 16v SMPI  
EKG = Engine - 3.7L V6  
ENR = Engine - 2.8L 4 Cyl  
Turbo Diesel  
ENO = 4CYL turbo diesel

TRANSMISSION  
DGQ = Transmission-5-Spd Automatic  
5-45RFE  
DG6 = Transmission-4-Spd.  
Automatic, 42RLE  
DEH = Transmission-6-Speed Manual,  
NSG370  
DG0 = Transmissions - All Automatic  
DBB = ALL MANUAL  
TRANSMISSIONS

AR = use ase required    - = Non illustrated part

**Coolant Tank, 2.4L Engine  
Figure 7-305**

ITEM	PART NUMBER	QTY	LINE	SERIES	BODY	ENGINE	TRANS	TRIM	DESCRIPTION
Note; Sales Codes [ED0]= All 2.2L, 2.5L, 2.4L, 4 C [EK0]= All 3.7L, 6 Cylinder Gas Engines [EN0]= All 2.5L 4 Cylinder Diesel Engine									
1	52079702AD	1				ED0			BOTTLE, Coolant Recovery
2	55116901AA	1				ED0	DBB		CAP, Radiator
3	04026148	1				ED0			HOSE, Coolant Reserve Tank
4	J3180725	1				ED0			CLAMP, Hose
5	04026148	1				ED0			HOSE, Coolant Reserve Tank
6	06506603AA	2	J, T						NUT, M6x1.00
7	06506603AA	2							CLIP, (NOT SERVICED)
8	52080133AB	2				ED0			CLIP, Hose



**LIBERTY (KJ)**

SERIES      LINE  
P = LIMITED    J = JEEP - 4WD  
H = SPORT      U = JEEP - 4WD (RHD)  
M = RENEGADE   T = JEEP - 2WD

BODY  
74 = SPORT UTILITY 4-DR

ENGINE  
ED1 = Engine - 2.4L 4 Cyl  
DOHC 16v SMPI  
EK6 = Engine - 3.7L V6  
ENR = Engine - 2.8L 4 Cyl  
Turbo Diesel  
ENO = 4CYL turbo diesel

TRANSMISSION  
DGQ = Transmission-5-Spd Automatic  
5-45RFE  
DG6 = Transmission-4-Spd.  
Automatic, 42RLE  
DEH = Transmission-6-Speed Manual,  
NSG370  
DG0 = Transmissions - All Automatic  
DBB = ALL MANUAL  
TRANSMISSIONS

AR = use ase required   - = Non illustrated part

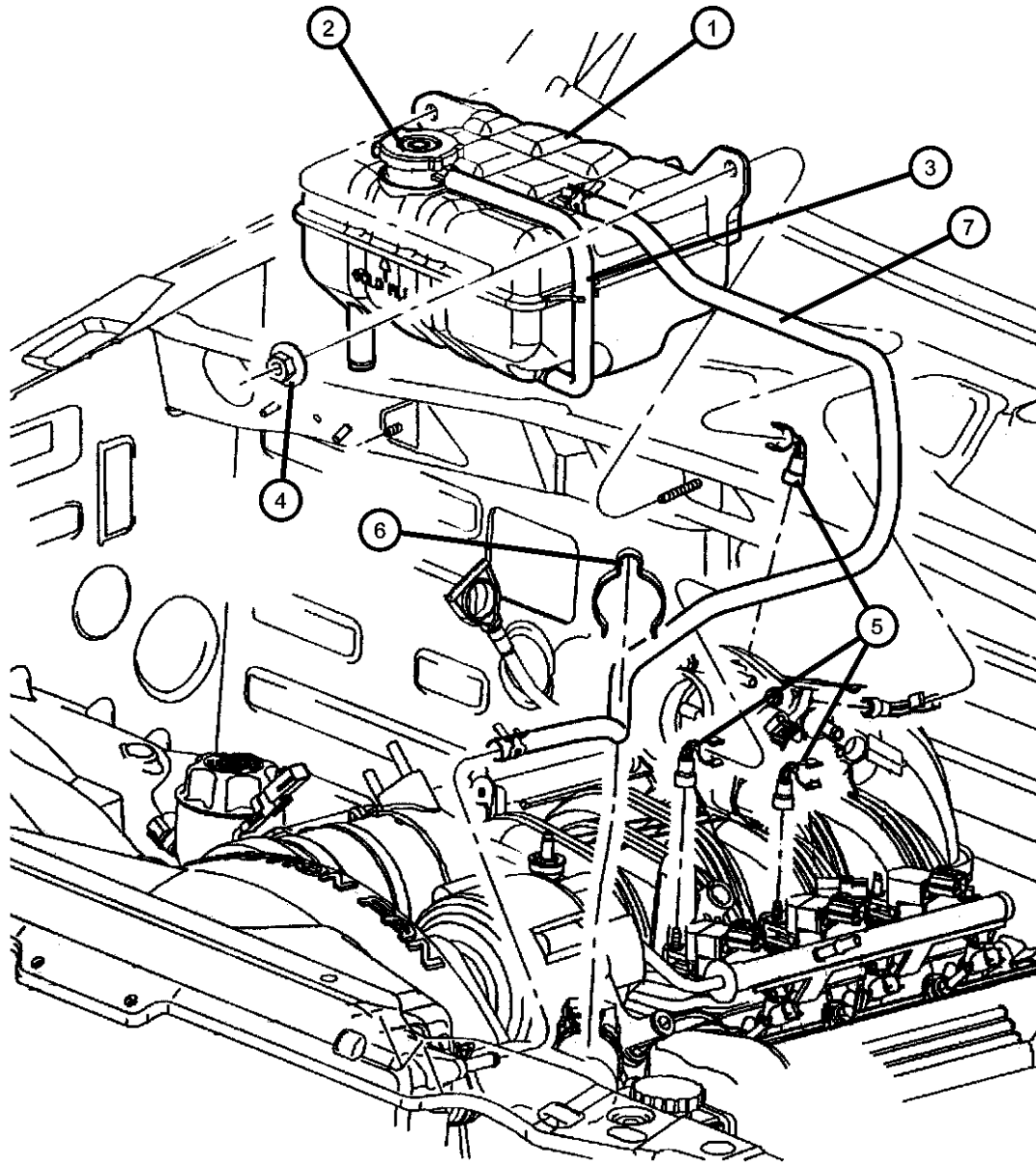
2005 KJ

**Coolant Tank, 3.7L Engine  
Figure 7-310**

ITEM	PART NUMBER	QTY	LINE	SERIES	BODY	ENGINE	TRANS	TRIM	DESCRIPTION
------	-------------	-----	------	--------	------	--------	-------	------	-------------

Note: Sales Codes  
[EK0]= All 3.7L, 6 Cylinder Gas Engines

1	52079702AD	1				ED0			BOTTLE, Coolant Recovery
2	04596198	1				EK0			CAP, Radiator
3	04026148	1				ED0			HOSE, Coolant Reserve Tank
4	06506603AA	2				ED0, EK0, EN0			NUT, M6x1.00
5	52128508AC	3				EK0			CLIP, Hose
6	52128508AC	3							CLIP, Hose, 52007404, (NOT SERVICED)
7	05086496AA	1				EK0			HOSE, Overflow, Roll Stock



**LIBERTY (KJ)**

SERIES      LINE  
P = LIMITED    J = JEEP - 4WD  
H = SPORT      U = JEEP - 4WD (RHD)  
M = RENEGADE   T = JEEP - 2WD

BODY  
74 = SPORT UTILITY 4-DR

ENGINE  
ED1 = Engine - 2.4L 4 Cyl  
DOHC 16v SMPI  
EKG = Engine - 3.7L V6  
ENR = Engine - 2.8L 4 Cyl  
Turbo Diesel  
ENO = 4CYL turbo diesel

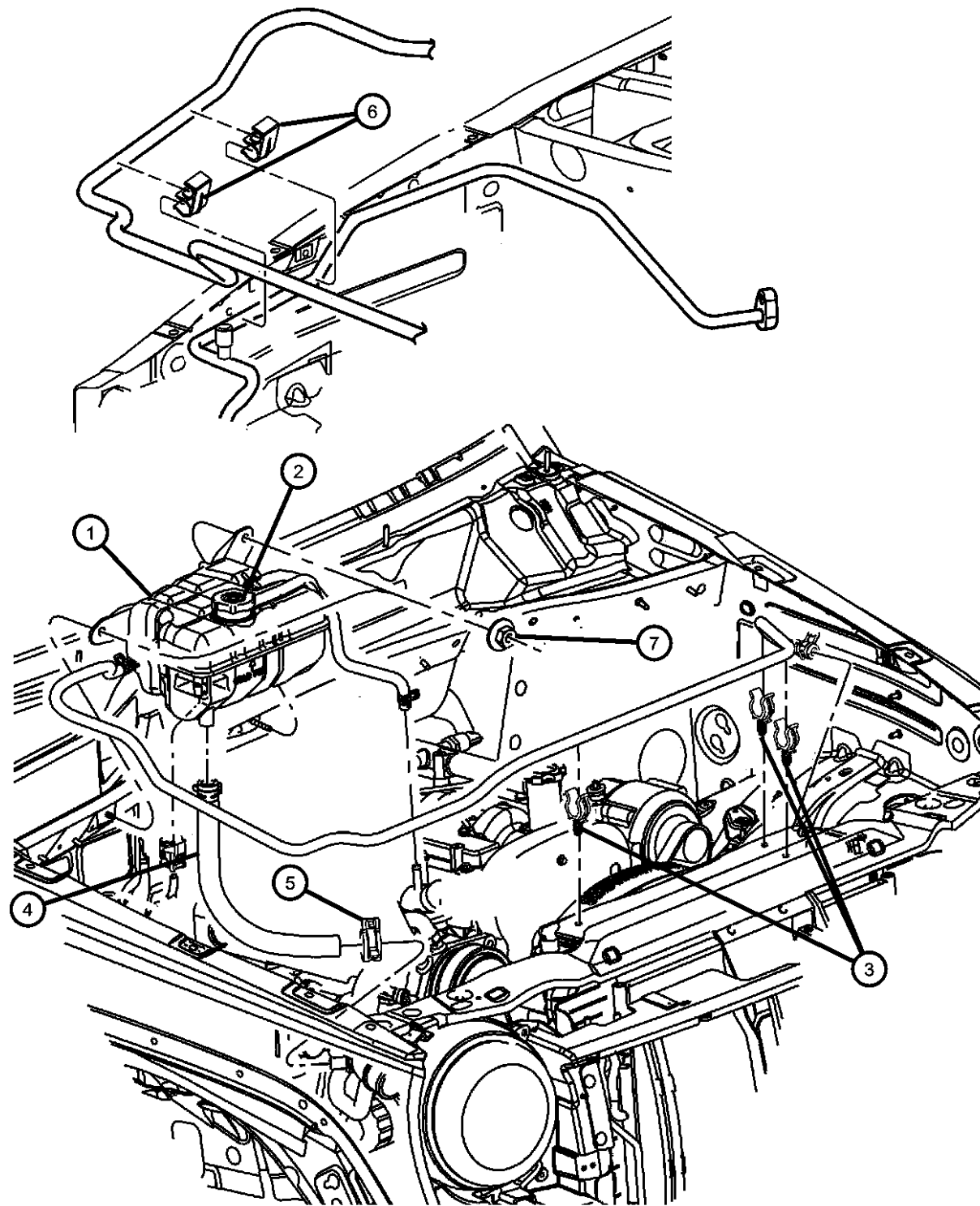
TRANSMISSION  
DGQ = Transmission-5-Spd Automatic  
5-45RFE  
DG6 = Transmission-4-Spd.  
Automatic, 42RLE  
DEH = Transmission-6-Speed Manual,  
NSG370  
DG0 = Transmissions - All Automatic  
DBB = ALL MANUAL  
TRANSMISSIONS

AR = use ase required   - = Non illustrated part

2005 KJ

**Coolant Degasser Tank, 2.8L Diesel Engine**  
**Figure 7-320**

ITEM	PART NUMBER	QTY	LINE	SERIES	BODY	ENGINE	TRANS	TRIM	DESCRIPTION
1	55037731AD	1				ENO			BOTTLE, Pressurized Coolant
2	55037731AD	1							CAP, Radiator, 04596198, (NOT SERVICED)
3	52080133AB	2				ENO			CLIP, Hose
4	55037765AA	1				ENO			HOSE, Coolant
5	06502018	2				ENO			CLAMP, Hose, M28.9 x 1.60
6	06502018	2							CLIP, (NOT SERVICED)
7	06502018	2							NUT, M6X1.00, (NOT SERVICED)



**LIBERTY (KJ)**

SERIES      LINE  
P = LIMITED      J = JEEP - 4WD  
H = SPORT      U = JEEP - 4WD (RHD)  
M = RENEGADE      T = JEEP - 2WD

BODY  
74 = SPORT UTILITY 4-DR

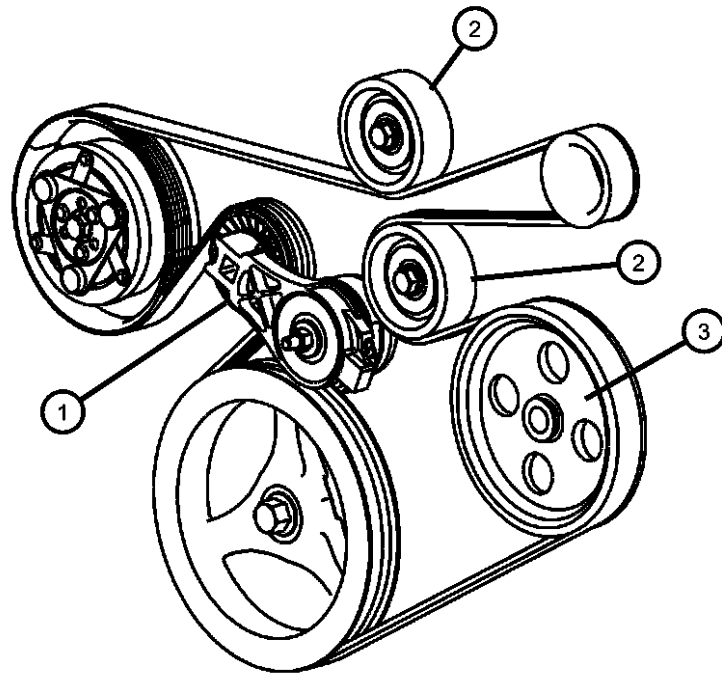
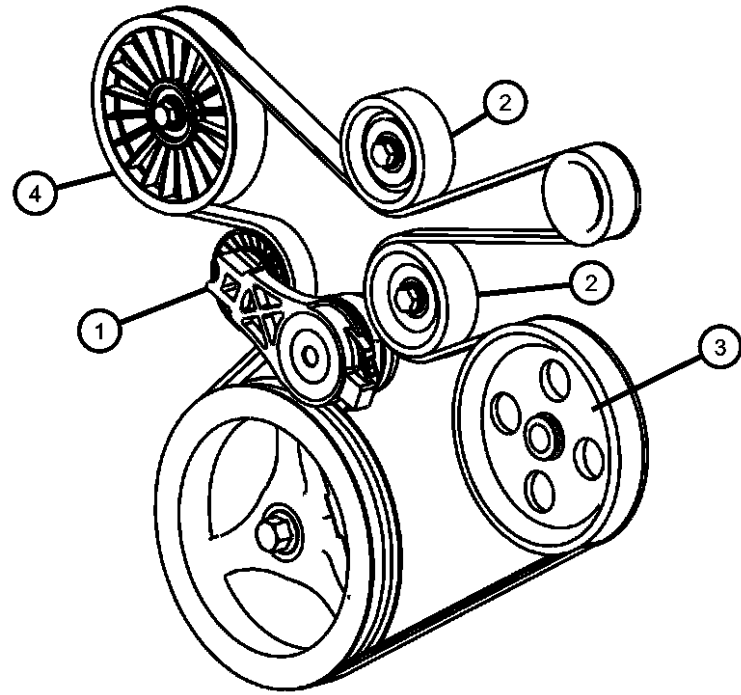
ENGINE  
ED1 = Engine - 2.4L 4 Cyl  
DOHC 16v SMPI  
EKG = Engine - 3.7L V6  
ENR = Engine - 2.8L 4 Cyl  
Turbo Diesel  
ENO = 4CYL turbo diesel

TRANSMISSION  
DGQ = Transmission-5-Spd Automatic  
5-45RFE  
DG6 = Transmission-4-Spd.  
Automatic, 42RLE  
DEH = Transmission-6-Speed Manual,  
NSG370  
DG0 = Transmissions - All Automatic  
DBB = ALL MANUAL  
TRANSMISSIONS

AR = use ase required    - = Non illustrated part

2005 KJ

Drive Pulleys, 2.4L Engine  
Figure 7-410



ITEM	PART NUMBER	QTY	LINE	SERIES	BODY	ENGINE	TRANS	TRIM	DESCRIPTION
------	-------------	-----	------	--------	------	--------	-------	------	-------------

Note: Sales Codes

[ED0]= All 2.2L, 2.5L, 2.4L, 4 C

1	04861277AB	1				ED0			TENSIONER, Belt
2	53013324AA	2				ED0			PULLEY, Idler
3	53031722AA	1				ED0			PULLEY, Power Steering Pump
4	53013366AA	1				ED0			PULLEY, Idler, without Air Conditioning
-5	34202781	1				ED0			SCREW Idler Pulley

LIBERTY (KJ)

SERIES	LINE
P = LIMITED	J = JEEP - 4WD
H = SPORT	U = JEEP - 4WD (RHD)
M = RENEGADE	T = JEEP - 2WD

BODY  
74 = SPORT UTILITY 4-DR

ENGINE  
ED1 = Engine - 2.4L 4 Cyl DOHC 16v SMPI  
EKG = Engine - 3.7L V6  
ENR = Engine - 2.8L 4 Cyl Turbo Diesel  
ENO = 4CYL turbo diesel

TRANSMISSION  
DGQ = Transmission-5-Spd Automatic 5-45RFE  
DG6 = Transmission-4-Spd. Automatic, 42RLE  
DEH = Transmission-6-Speed Manual, NSG370  
DG0 = Transmissions - All Automatic  
DBB = ALL MANUAL TRANSMISSIONS

AR = use ase required - = Non illustrated part

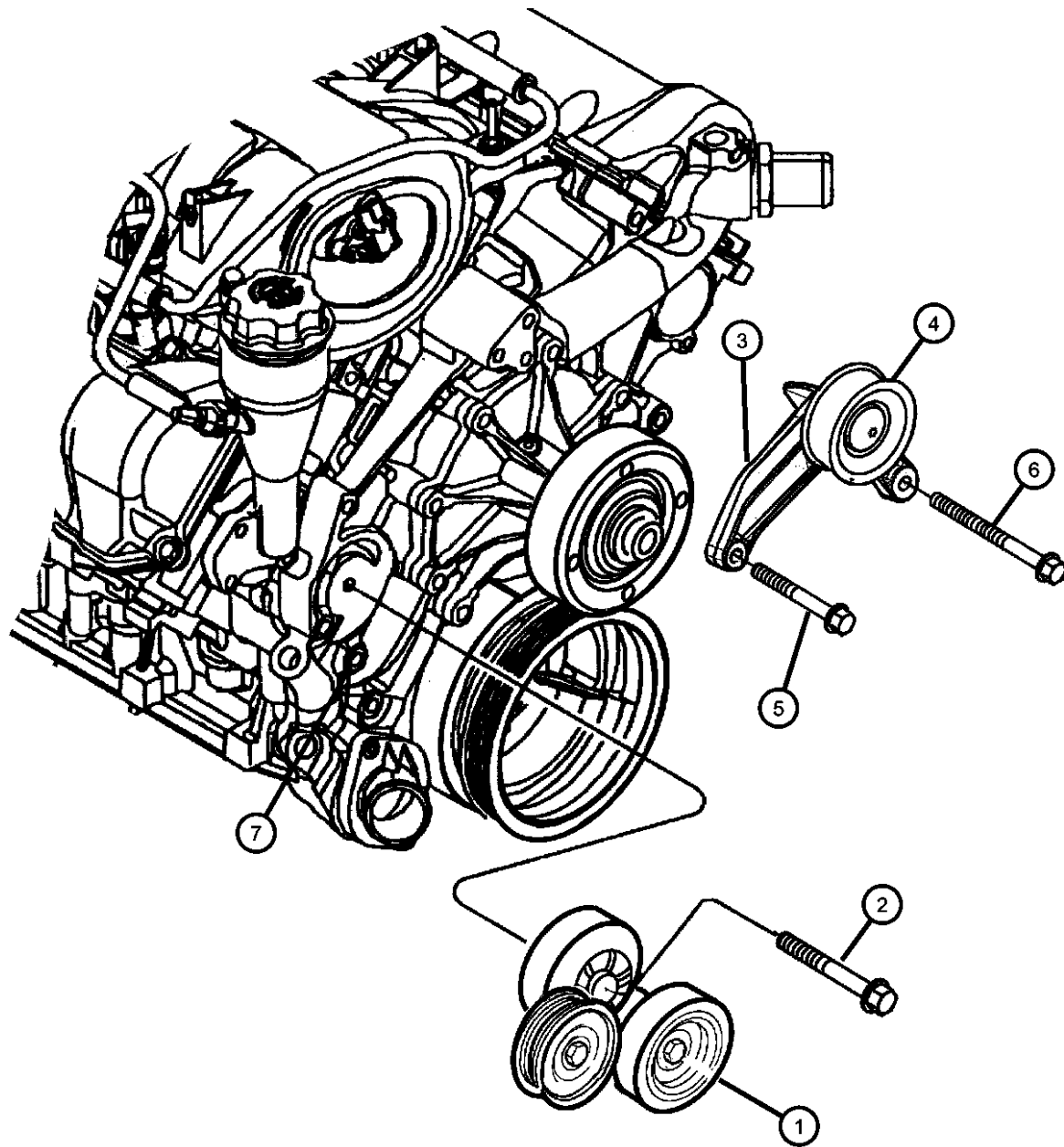
2005 KJ

Drive Pulleys, 3.7L Engine  
Figure 7-420

ITEM	PART NUMBER	QTY	LINE	SERIES	BODY	ENGINE	TRANS	TRIM	DESCRIPTION
------	-------------	-----	------	--------	------	--------	-------	------	-------------

Note; Sales Codes  
[ED0]= All 2.2L, 2.5L, 2.4L, 4 C  
[EK0]= All 3.7L, 6 Cylinder Gas Engines

1	53030958AD	1				EK0			TENSIONER, Alternator Belt
2	06504930AA	1				EK0			SCREW AND WASHER, Hex Head, M10x1.5x70
3	53030959	1				EK0			BRACKET, Idler Pulley, [HC0]
4	53031045	1				EK0			PULLEY, Idler, [HC0]
5	06505487AA	1				EK0			SCREW AND WASHER, M10x1.5x45
6	06504344	1				EK0			SCREW AND WASHER, Hex Head
7	06507856AA	1				EK0			SCREW AND WASHER



LIBERTY (KJ)

SERIES LINE  
P = LIMITED J = JEEP - 4WD  
H = SPORT U = JEEP - 4WD (RHD)  
M = RENEGADE T = JEEP - 2WD

BODY  
74 = SPORT UTILITY 4-DR

ENGINE  
ED1 = Engine - 2.4L 4 Cyl DOHC 16v SMPI  
EKG = Engine - 3.7L V6  
ENR = Engine - 2.8L 4 Cyl Turbo Diesel  
ENO = 4CYL turbo diesel

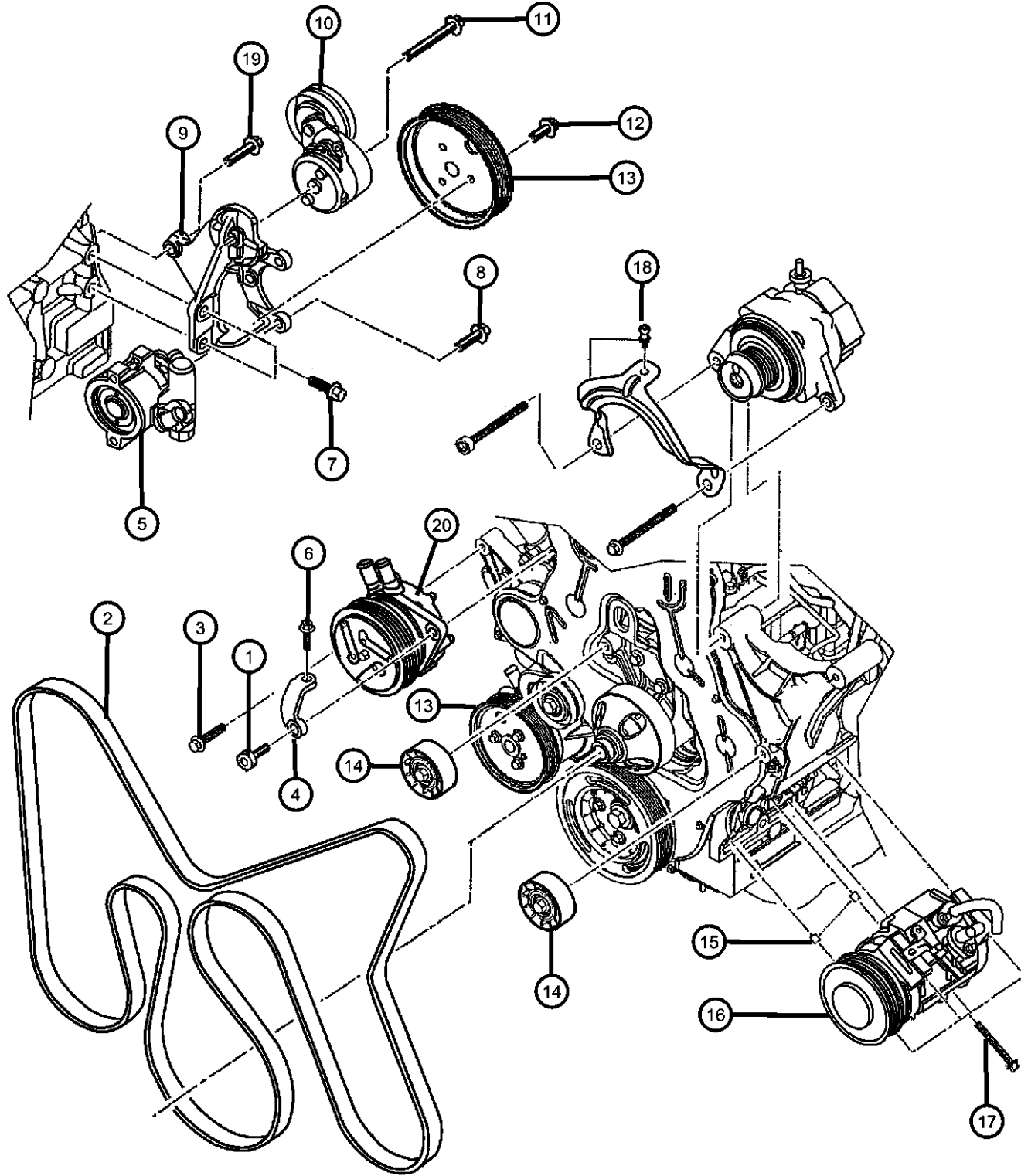
TRANSMISSION  
DGQ = Transmission-5-Spd Automatic 5-45RFE  
DG6 = Transmission-4-Spd. Automatic, 42RLE  
DEH = Transmission-6-Speed Manual, NSG370  
DG0 = Transmissions - All Automatic  
DBB = ALL MANUAL TRANSMISSIONS

AR = use ase required - = Non illustrated part

2005 KJ



Drive Pulleys, 2.8L Diesel Engine  
Figure 7-430



ITEM	PART NUMBER	QTY	LINE	SERIES	BODY	ENGINE	TRANS	TRIM	DESCRIPTION
Ote; Sales Codes [EN0]= All 4 Cylinder Diesel Engine									
1									SCREW
	05093933AA	1				EN0	DG0		
		1				EN0	DBB		
2									BELT, Accessory Drive
	05072437AC	1				EN0	DG0		
		1				EN0	DBB		
3									BOLT, M10x45
	05003533AA	4				EN0	DG0		
		4				EN0	DBB		
4									BRACKET
	05142647AA	1				EN0	DG0		
		1				EN0	DBB		
5									PUMP, Power Steering
	52088712AC	1				EN0	DG0		
	05166226AA	1				EN0	DBB		Mopar Power Steering Fluid Pint
	05166226AA	1				EN0	DBB		Mopar Power Steering Fluid Pint
6									SCREW
	05003557AA	2				EN0	DG0		
		2				EN0	DBB		
7									BOLT, Adaptor Plate
	05003532AA	10				EN0	DG0		
		10				EN0	DBB		
8									BOLT, 8Mx20
	04864537	11				EN0	DG0		
		11				EN0	DBB		
9									BRACKET, Tensioner
	05093935AA	1				EN0	DG0		
		1				EN0	DBB		
10									TENSIONER, Belt

LIBERTY (KJ)

SERIES LINE  
P = LIMITED J = JEEP - 4WD  
H = SPORT U = JEEP - 4WD (RHD)  
M = RENEGADE T = JEEP - 2WD

BODY  
74 = SPORT UTILITY 4-DR

ENGINE  
ED1 = Engine - 2.4L 4 Cyl  
DOHC 16v SMPI  
EKG = Engine - 3.7L V6  
ENR = Engine - 2.8L 4 Cyl  
Turbo Diesel  
ENO = 4CYL turbo diesel

TRANSMISSION  
DGQ = Transmission-5-Spd Automatic  
5-45RFE  
DG6 = Transmission-4-Spd.  
Automatic, 42RLE  
DEH = Transmission-6-Speed Manual,  
NSG370  
DG0 = Transmissions - All Automatic  
DBB = ALL MANUAL  
TRANSMISSIONS

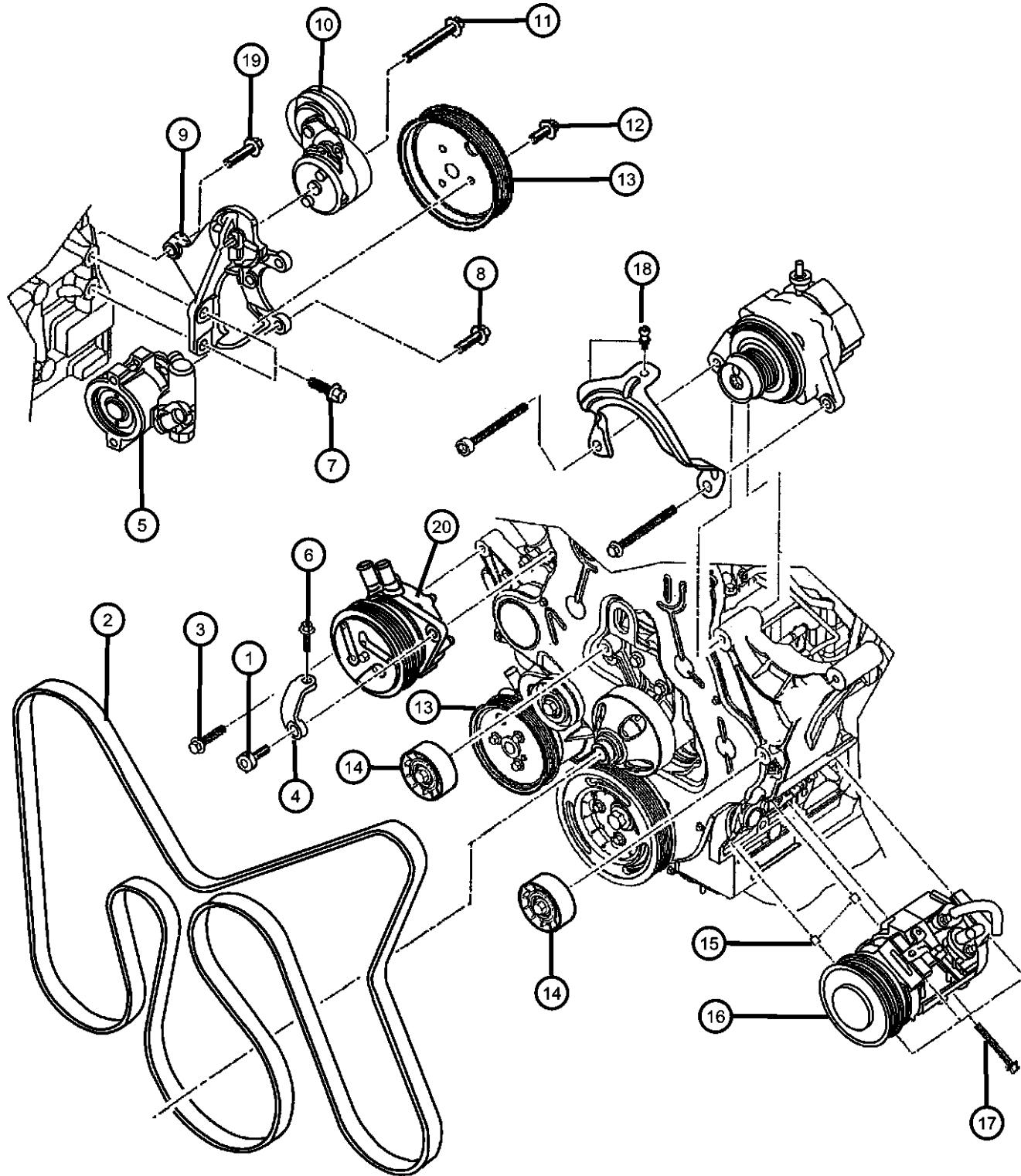
AR = use ase required - = Non illustrated part

2005 KJ



Drive Pulleys, 2.8L Diesel Engine  
Figure 7-430

ITEM	PART NUMBER	QTY	LINE	SERIES	BODY	ENGINE	TRANS	TRIM	DESCRIPTION
------	-------------	-----	------	--------	------	--------	-------	------	-------------



		1				EN0	DG0		
		1				EN0	DBB		Manual

LIBERTY (KJ)

SERIES      LINE  
P = LIMITED      J = JEEP - 4WD  
H = SPORT      U = JEEP - 4WD (RHD)  
M = RENEGADE      T = JEEP - 2WD

BODY  
74 = SPORT UTILITY 4-DR

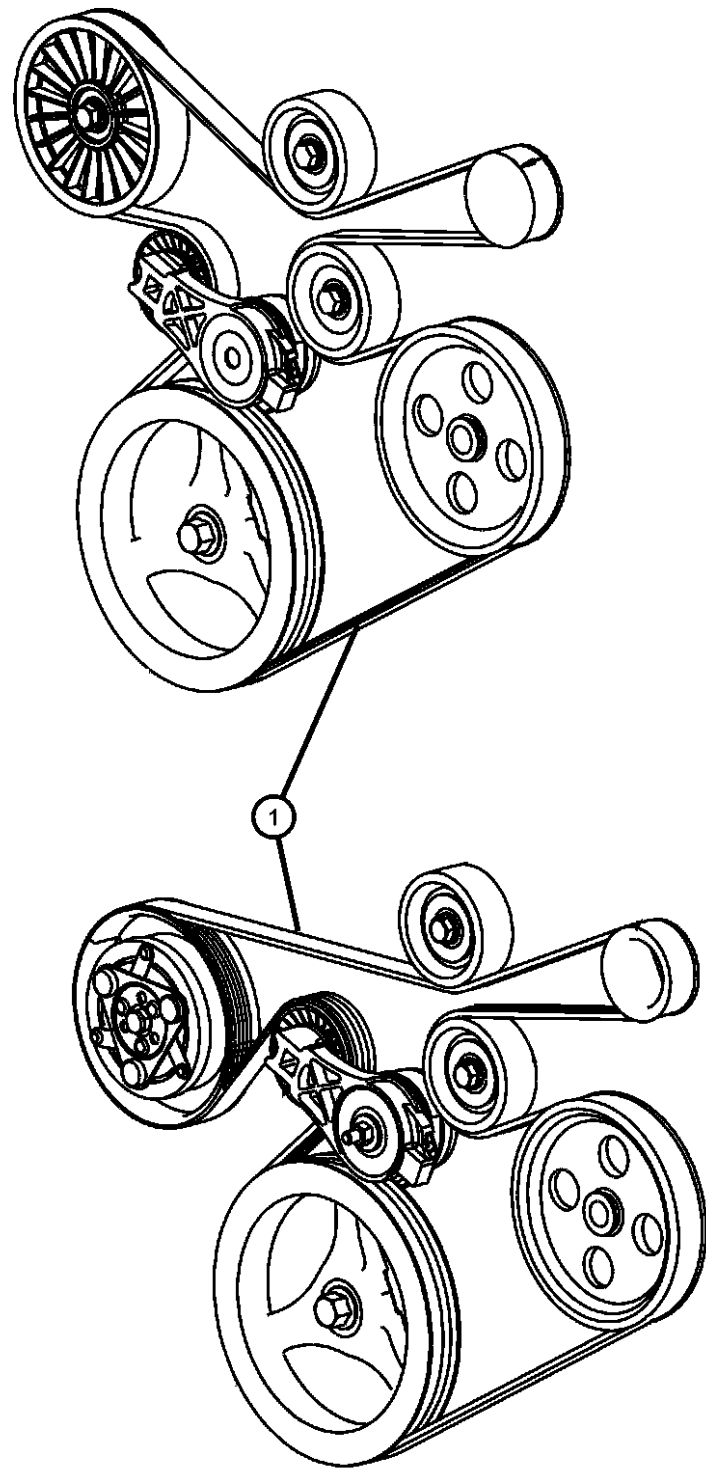
ENGINE  
ED1 = Engine - 2.4L 4 Cyl  
DOHC 16v SMPI  
EKG = Engine - 3.7L V6  
ENR = Engine - 2.8L 4 Cyl  
Turbo Diesel  
ENO = 4CYL turbo diesel

TRANSMISSION  
DGQ = Transmission-5-Spd Automatic  
5-45RFE  
DG6 = Transmission-4-Spd.  
Automatic, 42RLE  
DEH = Transmission-6-Speed Manual,  
NSG370  
DG0 = Transmissions - All Automatic  
DBB = ALL MANUAL  
TRANSMISSIONS

AR = use ase required - = Non illustrated part

2005 KJ

Drive Belts, 2.4L Engine  
Figure 7-510



ITEM	PART NUMBER	QTY	LINE	SERIES	BODY	ENGINE	TRANS	TRIM	DESCRIPTION
------	-------------	-----	------	--------	------	--------	-------	------	-------------

Note; Sales Codes  
[ED0]= All 2.2L, 2.5L, 2.4L, 4 Cylinder

1									BELT, Accessory Drive
	05281351AC	1				ED0			with Air Conditioning
	53013352AD	1				ED0			without Air Conditioning

LIBERTY (KJ)

SERIES      LINE  
P = LIMITED    J = JEEP - 4WD  
H = SPORT      U = JEEP - 4WD (RHD)  
M = RENEGADE   T = JEEP - 2WD

BODY  
74 = SPORT UTILITY 4-DR

ENGINE  
ED1 = Engine - 2.4L 4 Cyl  
DOHC 16v SMPI  
EKG = Engine - 3.7L V6  
ENR = Engine - 2.8L 4 Cyl  
Turbo Diesel  
ENO = 4CYL turbo diesel

TRANSMISSION  
DGQ = Transmission-5-Spd Automatic  
5-45RFE  
DG6 = Transmission-4-Spd.  
Automatic, 42RLE  
DEH = Transmission-6-Speed Manual,  
NSG370  
DG0 = Transmissions - All Automatic  
DBB = ALL MANUAL  
TRANSMISSIONS

AR = use ase required - = Non illustrated part

2005 KJ

Drive Belts, 3.7L Engine  
Figure 7-520

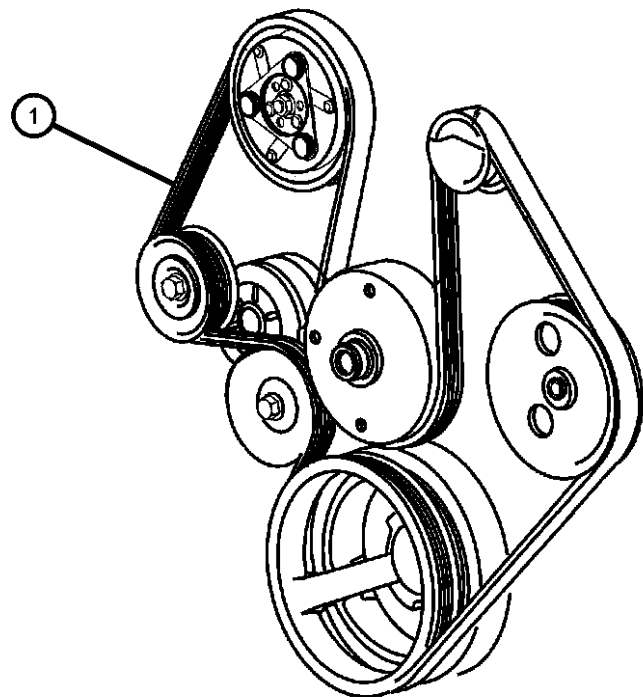
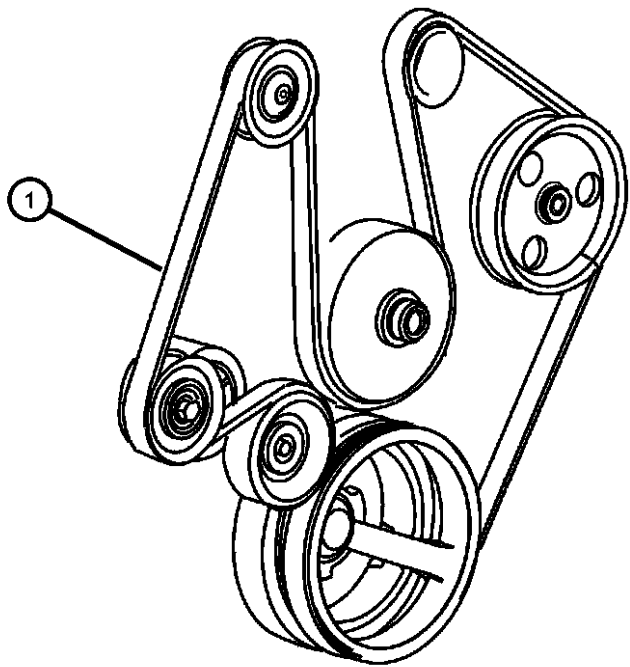
ITEM	PART NUMBER	QTY	LINE	SERIES	BODY	ENGINE	TRANS	TRIM	DESCRIPTION
------	-------------	-----	------	--------	------	--------	-------	------	-------------

Note; Sales Codes  
[EK0]= All 3.7L, 6 Cylinder Gas Engines

1 53032037AJ 1

EK0

BELT, Accessory Drive, with or without Air Conditioning



LIBERTY (KJ)

SERIES LINE  
P = LIMITED J = JEEP - 4WD  
H = SPORT U = JEEP - 4WD (RHD)  
M = RENEGADE T = JEEP - 2WD

BODY  
74 = SPORT UTILITY 4-DR

ENGINE  
ED1 = Engine - 2.4L 4 Cyl DOHC 16v SMPI  
EKG = Engine - 3.7L V6  
ENR = Engine - 2.8L 4 Cyl Turbo Diesel  
ENO = 4CYL turbo diesel

TRANSMISSION  
DGQ = Transmission-5-Spd Automatic 5-45RFE  
DG6 = Transmission-4-Spd. Automatic, 42RLE  
DEH = Transmission-6-Speed Manual, NSG370  
DG0 = Transmissions - All Automatic  
DBB = ALL MANUAL TRANSMISSIONS

AR = use ase required - = Non illustrated part

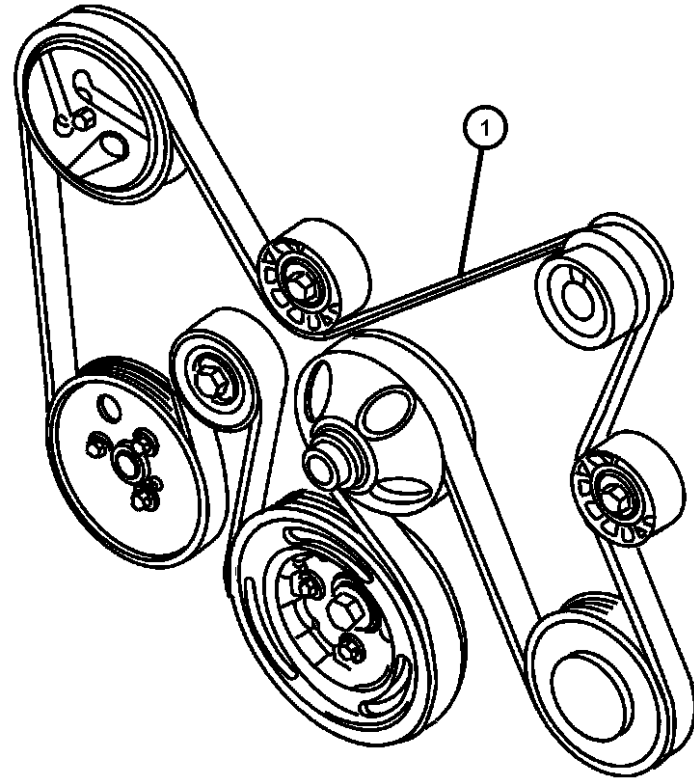
2005 KJ

**Drive Belts, 2.8L Diesel Engine  
Figure 7-530**

ITEM	PART NUMBER	QTY	LINE	SERIES	BODY	ENGINE	TRANS	TRIM	DESCRIPTION
------	-------------	-----	------	--------	------	--------	-------	------	-------------

Note; Sales Codes  
[EN0]= All 4 Cylinder Diesel Engines

1									BELT, Accessory Drive
	05072437AC	1				EN0	DG0		
		1				EN0	DBB		



**LIBERTY (KJ)**

SERIES      LINE  
P = LIMITED    J = JEEP - 4WD  
H = SPORT      U = JEEP - 4WD (RHD)  
M = RENEGADE   T = JEEP - 2WD

BODY  
74 = SPORT UTILITY 4-DR

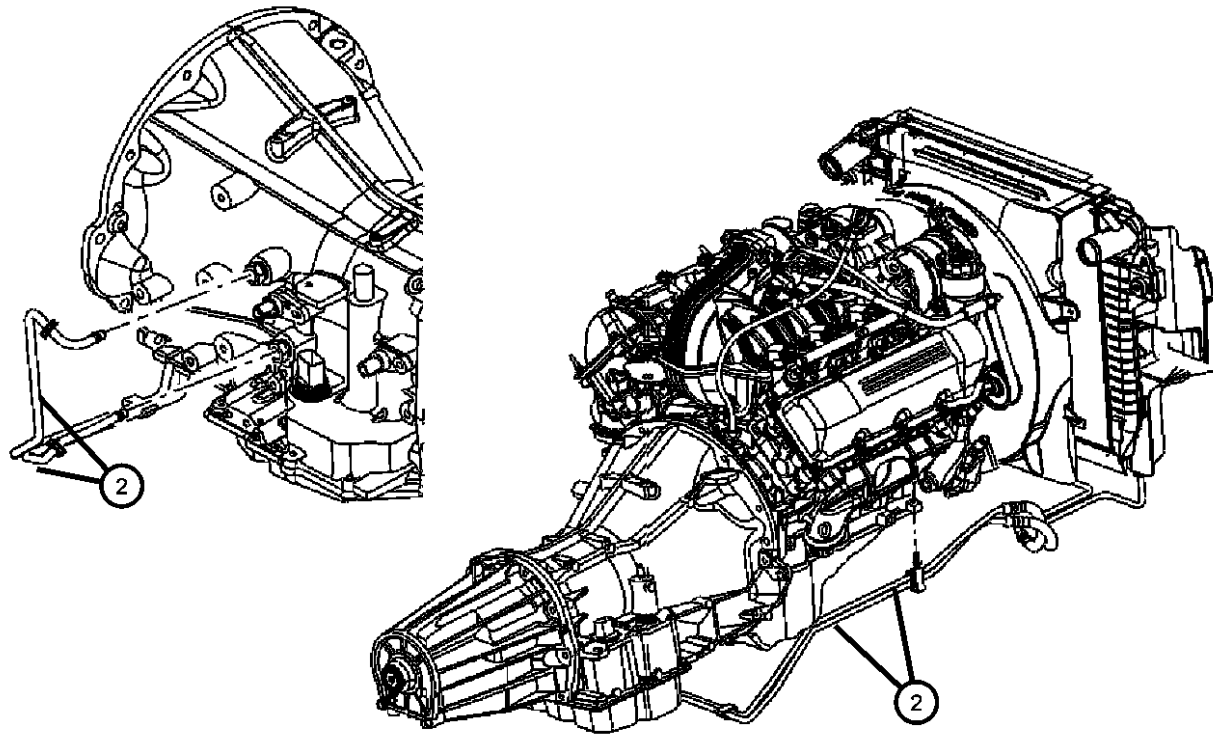
ENGINE  
ED1 = Engine - 2.4L 4 Cyl  
DOHC 16v SMPI  
EKG = Engine - 3.7L V6  
ENR = Engine - 2.8L 4 Cyl  
Turbo Diesel  
ENO = 4CYL turbo diesel

TRANSMISSION  
DGQ = Transmission-5-Spd Automatic  
5-45RFE  
DG6 = Transmission-4-Spd.  
Automatic, 42RLE  
DEH = Transmission-6-Speed Manual,  
NSG370  
DG0 = Transmissions - All Automatic  
DBB = ALL MANUAL  
TRANSMISSIONS

AR = use ase required - = Non illustrated part

2005 KJ

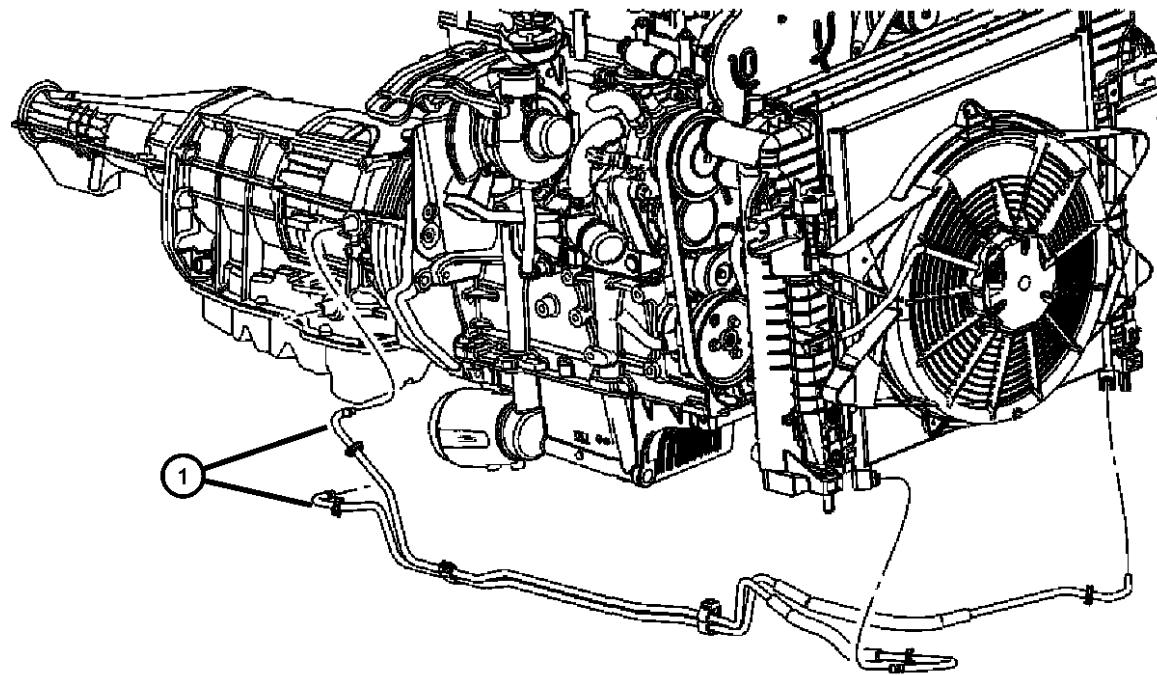
Oil Cooler Lines  
Figure 7-610



ITEM	PART NUMBER	QTY	LINE	SERIES	BODY	ENGINE	TRANS	TRIM	DESCRIPTION
------	-------------	-----	------	--------	------	--------	-------	------	-------------

Note; Sales Codes  
[EK0]= All 3.7L, 6 Cylinder Gas Engines  
[EN0]= All 2.5L 4 Cylinder Diesel Engine

1	55037785AC	1					DG6		TUBE & HOSE, Supply & Return
2	55037734AD	1				EN0	DG0		TUBE & HOSE, Supply & Return
-3									FITTING, Quick Connect
	52119547AA	2	J, U			EN0	DGQ		
		2	J, U				DG6		



LIBERTY (KJ)

SERIES      LINE  
P = LIMITED      J = JEEP - 4WD  
H = SPORT      U = JEEP - 4WD (RHD)  
M = RENEGADE      T = JEEP - 2WD

BODY  
74 = SPORT UTILITY 4-DR

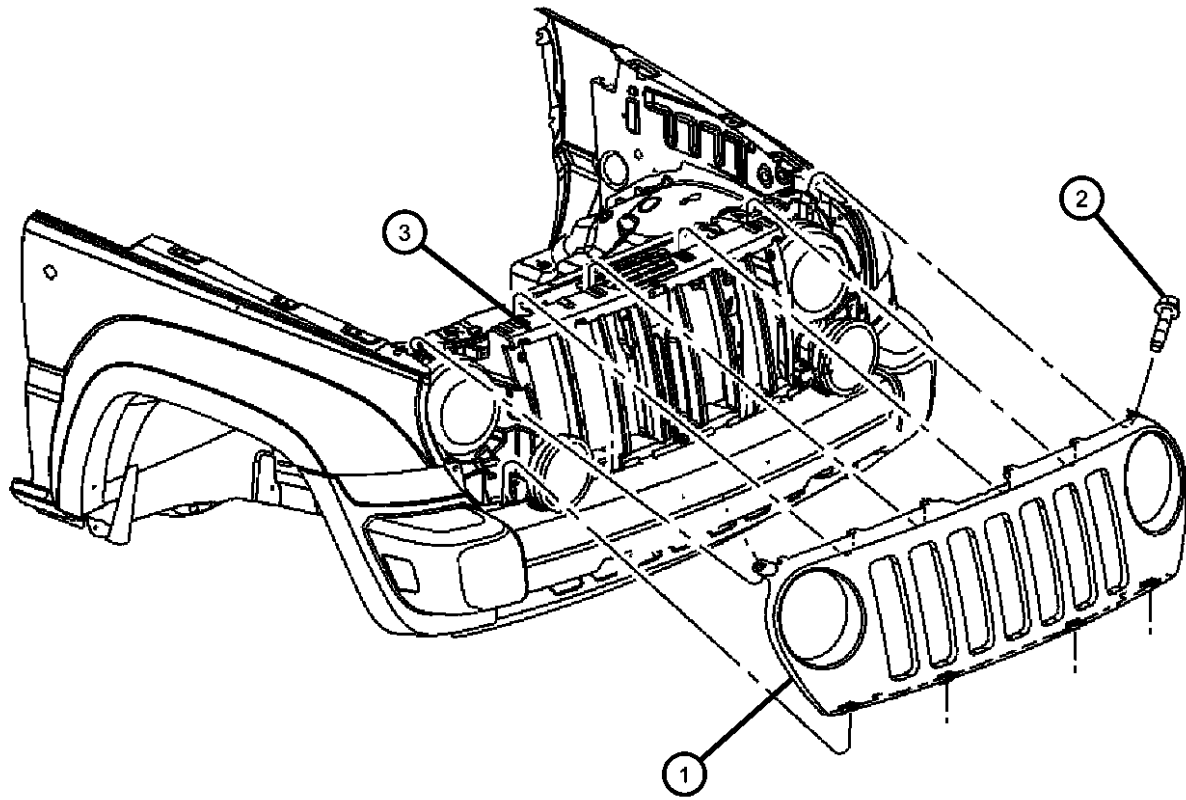
ENGINE  
ED1 = Engine - 2.4L 4 Cyl  
DOHC 16v SMPI  
EKG = Engine - 3.7L V6  
ENR = Engine - 2.8L 4 Cyl  
Turbo Diesel  
ENO = 4CYL turbo diesel

TRANSMISSION  
DGQ = Transmission-5-Spd Automatic  
5-45RFE  
DG6 = Transmission-4-Spd.  
Automatic, 42RLE  
DEH = Transmission-6-Speed Manual,  
NSG370  
DG0 = Transmissions - All Automatic  
DBB = ALL MANUAL  
TRANSMISSIONS

AR = use ase required - = Non illustrated part

2005 KJ

**Grille and Related Parts  
Figure 7-710**



ITEM	PART NUMBER	QTY	LINE	SERIES	BODY	ENGINE	TRANS	TRIM	DESCRIPTION
1									GRILLE, Radiator
	55156805AC	1							[MFZ], Chrome
	5JJ85AJCAC	1							[JC] [MFK-LNJ], H Series
	5JJ85BJTAC	1							[JT] [MFK-LNJ], H Series
	5JJ85CGVAC	1							[CG] [MFK-LNJ], H Series
	5JJ85DX8AC	1							[X8] [MFK-LNJ], H Series
	5JJ85PR4AC	1							[R4] [MFK-LNJ], H Series
	5JJ85SW1AC	1							[W1] [MFK-LNJ], H Series
	5JJ85WB7AC	1							[B7] [MFK-LNJ], H Series
	5JJ85WS2AC	1							[S2] [MFK-LNJ], H Series
	5JJ85ZBJAC	1							[BJ] [MFK-LNJ], H Series
	5JJ85WE5AD	1							[E5] [MFK-LNJ], H Series
	5JJ85ARHAE	1							[MFK-LNJ]
	5JJ86AJCAC	1							[JC] [MFK+LNJ], H Series
	5JJ86BJTAC	1							[JT] [MFK+LNJ], H Series
	5JJ86CGVAC	1							[GV] [MFK+LNJ], H Series
	5JJ86DX8AC	1							[X8] [MFK+LNJ], H Series
	5JJ86PR4AC	1							[R4] [MFK+LNJ], H Series
	5JJ86SW1AC	1							[W1] [MFK+LNJ], H Series
	5JJ86WB7AC	1							[B7] [MFK+LNJ], H Series
	5JJ86WS2AC	1							[S2] [MFK+LNJ], H Series
	5JJ86ZBJAC	1							[BJ] [MFK+LNJ], H Series
	5JJ86ARHAE	1							[RH][MFK, LNJ]
	5JJ86WE5AE	1							[E5] MFK+LNJ
	5JR27AJCAD	1							[JC] [MFK] M Series
	5JR27BJTAD	1							[JT] [MFK] M Series
	5JR27CGVAD	1							[GV] [MFK] M Series
	5JR27DX8AD	1							[X8] [MFK] M Series
	5JR27WB7AD	1							[B7] [MFK] M Series
	5JR27WE5AD	1							[E5] [MFK] M Series
	5JR27WS2AD	1							[S2] [MFK] M Series
2	06036568AA	4							SCREW

**LIBERTY (KJ)**

SERIES	LINE
P = LIMITED	J = JEEP - 4WD
H = SPORT	U = JEEP - 4WD (RHD)
M = RENEGADE	T = JEEP - 2WD

BODY  
74 = SPORT UTILITY 4-DR

ENGINE  
ED1 = Engine - 2.4L 4 Cyl  
DOHC 16v SMPI  
EKG = Engine - 3.7L V6  
ENR = Engine - 2.8L 4 Cyl  
Turbo Diesel  
ENO = 4CYL turbo diesel

TRANSMISSION  
DGQ = Transmission-5-Spd Automatic  
5-45RFE  
DG6 = Transmission-4-Spd.  
Automatic, 42RLE  
DEH = Transmission-6-Speed Manual,  
NSG370  
DG0 = Transmissions - All Automatic  
DBB = ALL MANUAL  
TRANSMISSIONS

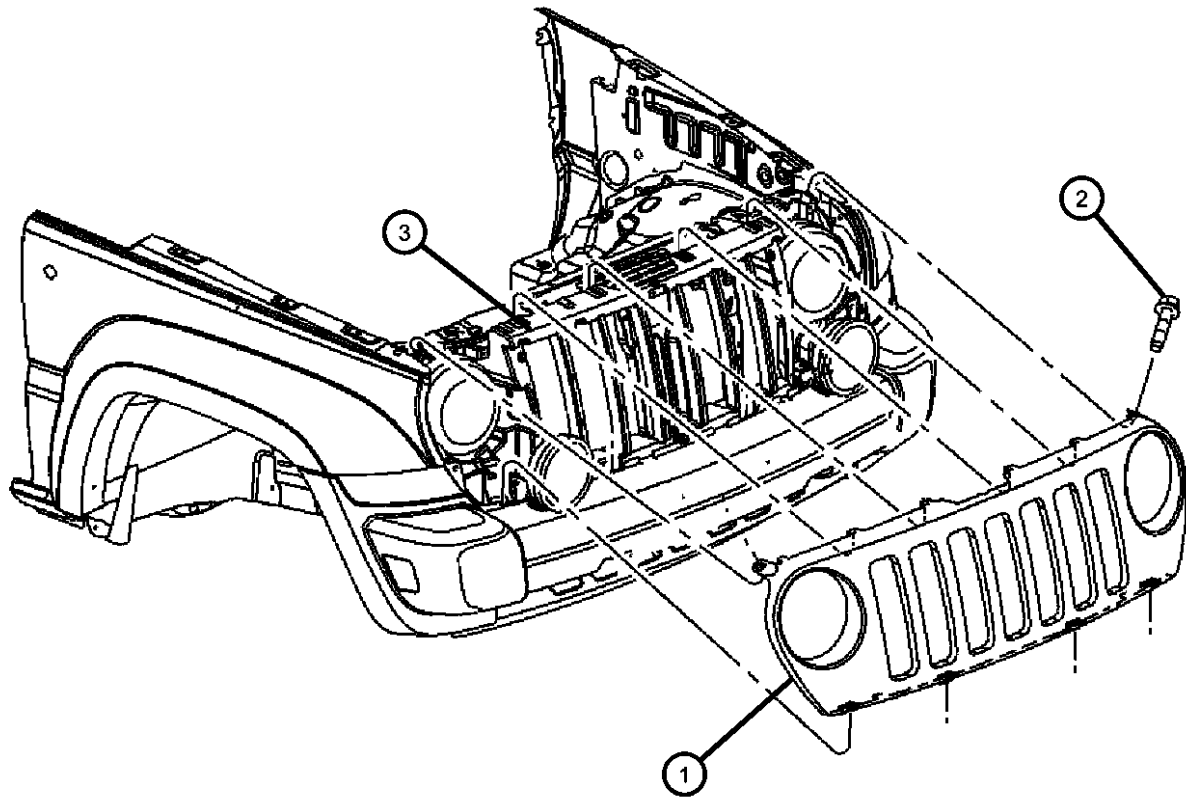
AR = use ase required - = Non illustrated part

2005 KJ



**Grille and Related Parts  
Figure 7-710**

ITEM	PART NUMBER	QTY	LINE	SERIES	BODY	ENGINE	TRANS	TRIM	DESCRIPTION
3									REINFORCEMENT, Grille Opening
	55156755AD	1	J, T						H,P Series
	55156968AD	1	J, T						M Series
		1	U						M Series
		1	U			ED0, EK0			H,P Series
-4									INSERT
	55156868AA	1							
	55156894AB	1							[LNJ] With Fog Lamps



**LIBERTY (KJ)**

SERIES      LINE  
P = LIMITED      J = JEEP - 4WD  
H = SPORT      U = JEEP - 4WD (RHD)  
M = RENEGADE      T = JEEP - 2WD

BODY  
74 = SPORT UTILITY 4-DR

ENGINE  
ED1 = Engine - 2.4L 4 Cyl  
DOHC 16v SMPI  
EKG = Engine - 3.7L V6  
ENR = Engine - 2.8L 4 Cyl  
Turbo Diesel  
ENO = 4CYL turbo diesel

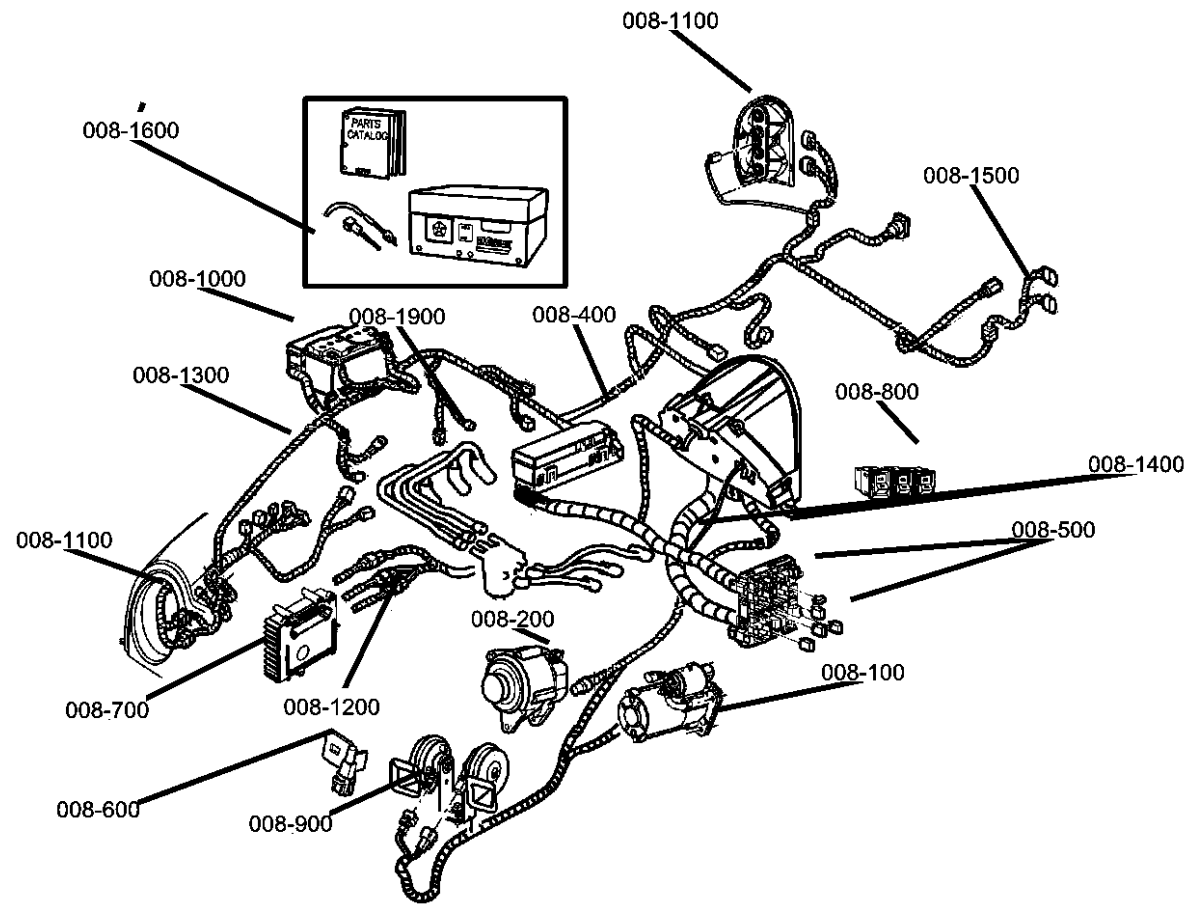
TRANSMISSION  
DGQ = Transmission-5-Spd Automatic  
5-45RFE  
DG6 = Transmission-4-Spd.  
Automatic, 42RLE  
DEH = Transmission-6-Speed Manual,  
NSG370  
DG0 = Transmissions - All Automatic  
DBB = ALL MANUAL  
TRANSMISSIONS

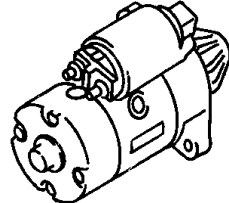
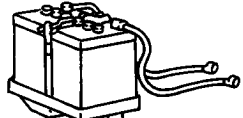
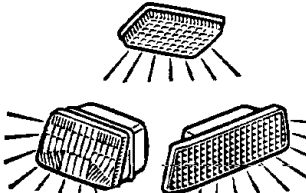
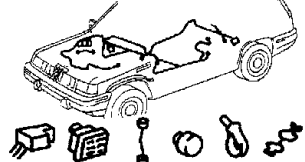

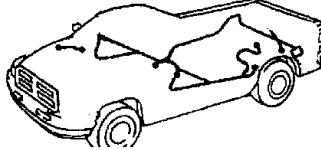

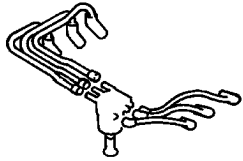
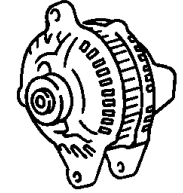
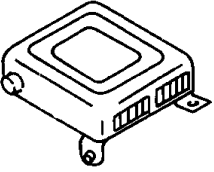
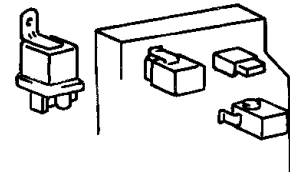
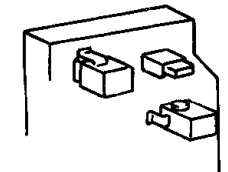
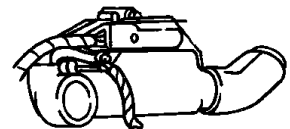
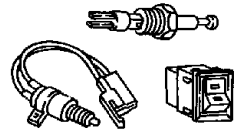
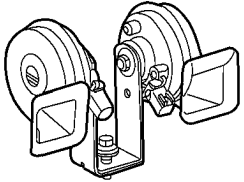
AR = use ase required - = Non illustrated part

2005 KJ

# Group - 8

## Electrical



<p><b>008-100</b> Starters</p> 	<p><b>008-1000</b> Battery Tray, Cables and Block Heaters</p> 	<p><b>008-1100</b> Lamps - Front, Rear and Courtesy</p> 	<p><b>008-1200</b> Wiring-Engine &amp; Related Parts</p> 
<p><b>008-1300</b> Wiring-Headlamp to Dash</p> 	<p><b>008-1400</b> Wiring-Instrument Panel</p> <p><b>WIRING INSTR. PANEL</b></p>	<p><b>008-1500</b> Wiring-Body &amp; Accessories</p> 	<p><b>008-1600</b> Wiring Repair</p> <p><b>WIRING REPAIR PKG.</b></p>
<p><b>008-1700</b> Air Bag Systems</p> 	<p><b>008-1900</b> Spark Plugs-Cables-Coils</p> 	<p><b>008-200</b> Alternators</p> 	<p><b>008-400</b> Modules</p> 
<p><b>008-500</b> Relays</p> 	<p><b>008-600</b> Sensors</p> 	<p><b>008-700</b> Single Board Engine Controllers</p> 	<p><b>008-800</b> Switches</p> 
<p><b>008-900</b> Horns</p> 			

## Group - 8 Electrical

Illustration Title

Group-Fig. No.

<b>Starters</b>	
Starter and Mounting [2.4L ED0].....	Fig. 8 - 105
Starter and Mounting [3.7L EK0].....	Fig. 8 - 110
Starter and Mounting, [2.8L EN0].....	Fig. 8 - 115

<b>Alternators</b>	
Alternator [2.4L ED0].....	Fig. 8 - 205
Alternator [3.7L EK0].....	Fig. 8 - 210
Alternator [2.8L EN0].....	Fig. 8 - 215

<b>Modules</b>	
Modules.....	Fig. 8 - 405

<b>Relays</b>	
Power Distribution Center, [2.4L ED0, 3.7L EK0].....	Fig. 8 - 505
Power Distribution Center [2.8L EN0].....	Fig. 8 - 510
Junction Block, Relays, Circuit Breaker.....	Fig. 8 - 515

<b>Sensors</b>	
Sensor, Engine (2.4L ED0).....	Fig. 8 - 605
Sensors, Engine (3.7L EK0).....	Fig. 8 - 610
Sensors, Engine (2.8L EN0).....	Fig. 8 - 615
Sensors, Oxygen [2.4L ED0].....	Fig. 8 - 620
Sensors, Oxygen [3.7L EK0].....	Fig. 8 - 625
Sensor (Drive Train).....	Fig. 8 - 635
Sensor (Body).....	Fig. 8 - 640

<b>Single Board Engine Controllers</b>	
Powertrain Control Modules.....	Fig. 8 - 705

<b>Switches</b>	
Switches (Instrument Panel and Console).....	Fig. 8 - 810
Switches (Drive Train).....	Fig. 8 - 820
Switches (Body).....	Fig. 8 - 830

<b>Horns</b>	
Horns.....	Fig. 8 - 905

<b>Battery Tray, Cables and Block Heaters</b>	
Battery Tray & Cables.....	Fig. 8 - 1005
Engine Block Heaters.....	Fig. 8 - 1010

<b>Lamps - Front, Rear and Courtesy</b>	
Lamp, Front.....	Fig. 8 - 1105
Lamps Roof (Renegade).....	Fig. 8 - 1110
Lamp, Rear.....	Fig. 8 - 1115
Lamp, Courtesy.....	Fig. 8 - 1120
Bulbs.....	Fig. 8 - 1125

<b>Wiring-Engine &amp; Related Parts</b>	
Wiring, Engine and Related Parts 4 Cylinder.....	Fig. 8 - 1205
Wiring, Engine and Related Parts 6 cylinder.....	Fig. 8 - 1210

<b>Wiring-Headlamp to Dash</b>	
Wiring, Headlamp to Dash.....	Fig. 8 - 1305

<b>Wiring-Instrument Panel</b>	
Wiring Instrument Panel.....	Fig. 8 - 1405

<b>Wiring-Body &amp; Accessories</b>	
Wiring, Body & Accessories.....	Fig. 8 - 1505
Wiring Doors and Tail Gate.....	Fig. 8 - 1510
Wiring Seats.....	Fig. 8 - 1515

<b>Wiring Repair</b>	
Wiring, Repair Package.....	Fig. 8 - 1610

<b>Air Bag Systems</b>	
Air Bag Module and Sensors.....	Fig. 8 - 1705
Air Bags and Clock Spring.....	Fig. 8 - 1710

<b>Spark Plugs-Cables-Coils</b>	
Spark Plug - Coil.....	Fig. 8 - 1905
Glow Plugs.....	Fig. 8 - 1910

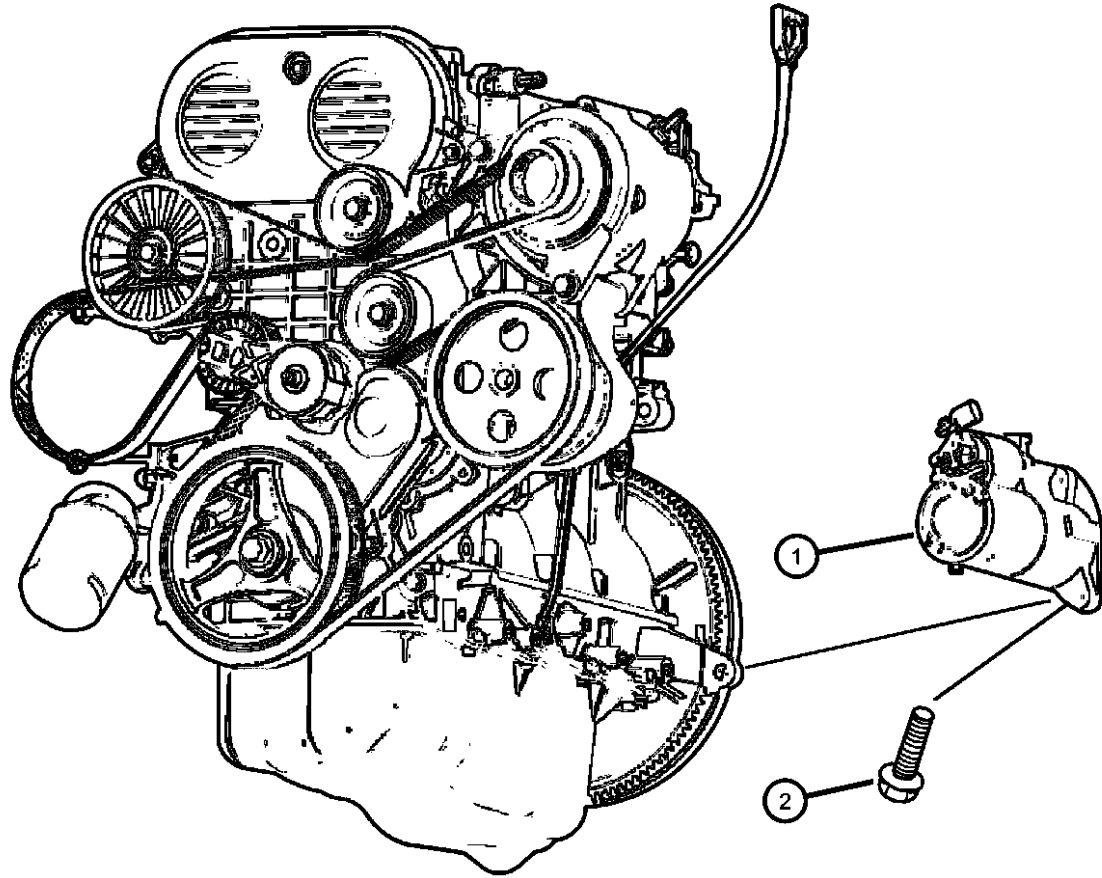
**Starter and Mounting [2.4L ED0]  
Figure 8-105**

ITEM	PART NUMBER	QTY	LINE	SERIES	BODY	ENGINE	TRANS	TRIM	DESCRIPTION
------	-------------	-----	------	--------	------	--------	-------	------	-------------

Notes:

[ED0] = 2.4L 4 Cylinder Engine

1	56041436AC	1				ED0			STARTER
2	06102120AA	2				ED0, EKO			SCREW AND WASHER, Hex Head, Starter mounting



**LIBERTY (KJ)**

SERIES	LINE
P = LIMITED	J = JEEP - 4WD
H = SPORT	U = JEEP - 4WD (RHD)
M = RENEGADE	T = JEEP - 2WD

BODY  
74 = SPORT UTILITY 4-DR

ENGINE  
ED1 = Engine - 2.4L 4 Cyl DOHC 16v SMPI  
EKG = Engine - 3.7L V6  
ENR = Engine - 2.8L 4 Cyl Turbo Diesel  
ENO = 4CYL turbo diesel

TRANSMISSION  
DGQ = Transmission-5-Spd Automatic 5-45RFE  
DG6 = Transmission-4-Spd. Automatic, 42RLE  
DEH = Transmission-6-Speed Manual, NSG370  
DG0 = Transmissions - All Automatic  
DBB = ALL MANUAL TRANSMISSIONS

AR = use ase required - = Non illustrated part

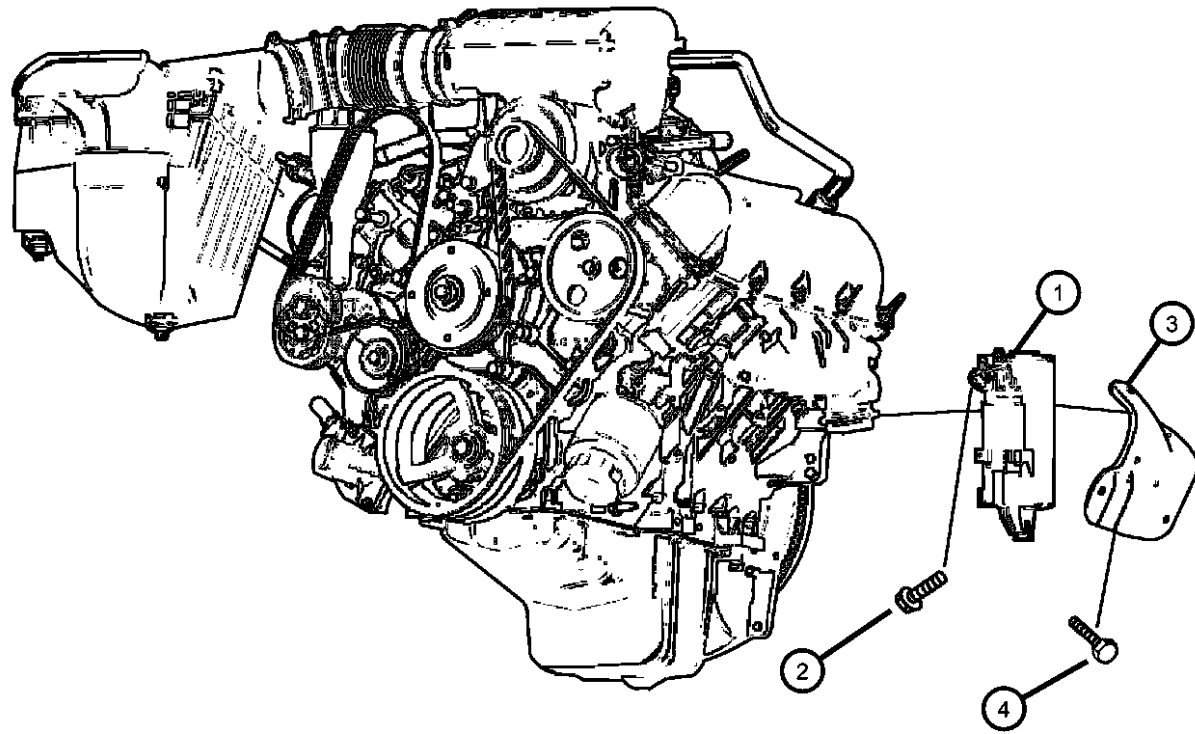
2005 KJ

**Starter and Mounting [3.7L EK0]  
Figure 8-110**

ITEM	PART NUMBER	QTY	LINE	SERIES	BODY	ENGINE	TRANS	TRIM	DESCRIPTION
------	-------------	-----	------	--------	------	--------	-------	------	-------------

Notes:  
[EK0]=3.7L V6 Engine  
[ED0] = 2.4L 4 Cylinder Engine

1	56041641AG	1				EK0			STARTER
2	06102120AA	2				ED0, EK0			SCREW AND WASHER, Hex Head, Starter mounting
3	56044116AD	1				EK0			SHIELD, Starter
4	56044116AD	1							SCREW, Hex Flange Head, M12X1.75X110.00, M6x1x12, (NOT SERVICED)



**LIBERTY (KJ)**

SERIES	LINE
P = LIMITED	J = JEEP - 4WD
H = SPORT	U = JEEP - 4WD (RHD)
M = RENEGADE	T = JEEP - 2WD

BODY  
74 = SPORT UTILITY 4-DR

ENGINE  
ED1 = Engine - 2.4L 4 Cyl DOHC 16v SMPI  
EKG = Engine - 3.7L V6  
ENR = Engine - 2.8L 4 Cyl Turbo Diesel  
ENO = 4CYL turbo diesel

TRANSMISSION  
DGQ = Transmission-5-Spd Automatic 5-45RFE  
DG6 = Transmission-4-Spd. Automatic, 42RLE  
DEH = Transmission-6-Speed Manual, NSG370  
DG0 = Transmissions - All Automatic  
DBB = ALL MANUAL TRANSMISSIONS

AR = use ase required - = Non illustrated part

2005 KJ

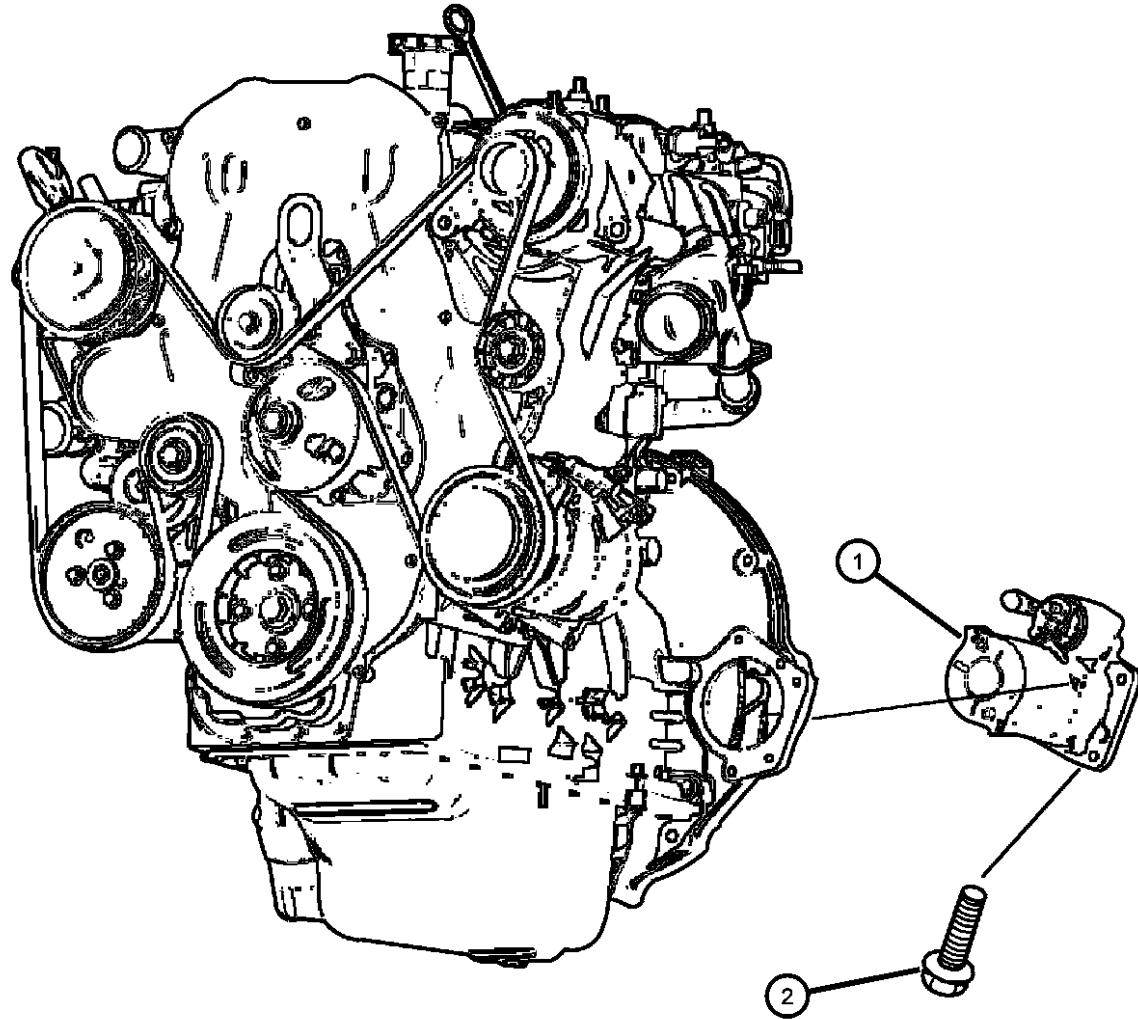
**Starter and Mounting, [2.8L EN0]  
Figure 8-115**

ITEM	PART NUMBER	QTY	LINE	SERIES	BODY	ENGINE	TRANS	TRIM	DESCRIPTION
------	-------------	-----	------	--------	------	--------	-------	------	-------------

Notes:

[EN0] = 2.5L Diesel Engine  
 [DG0] = All Automatic Transmissions  
 [DBB] = All Manual Transmissions

1	56041579AB	1				EN0			STARTER
2	06504171	3				EN0			SCREW, Hex Flange Head, M8x1.25x32
-3									WASHER, Starter
	04723279	6				EN0	DG0		
		6				EN0	DBB		



**LIBERTY (KJ)**

SERIES	LINE
P = LIMITED	J = JEEP - 4WD
H = SPORT	U = JEEP - 4WD (RHD)
M = RENEGADE	T = JEEP - 2WD

BODY  
74 = SPORT UTILITY 4-DR

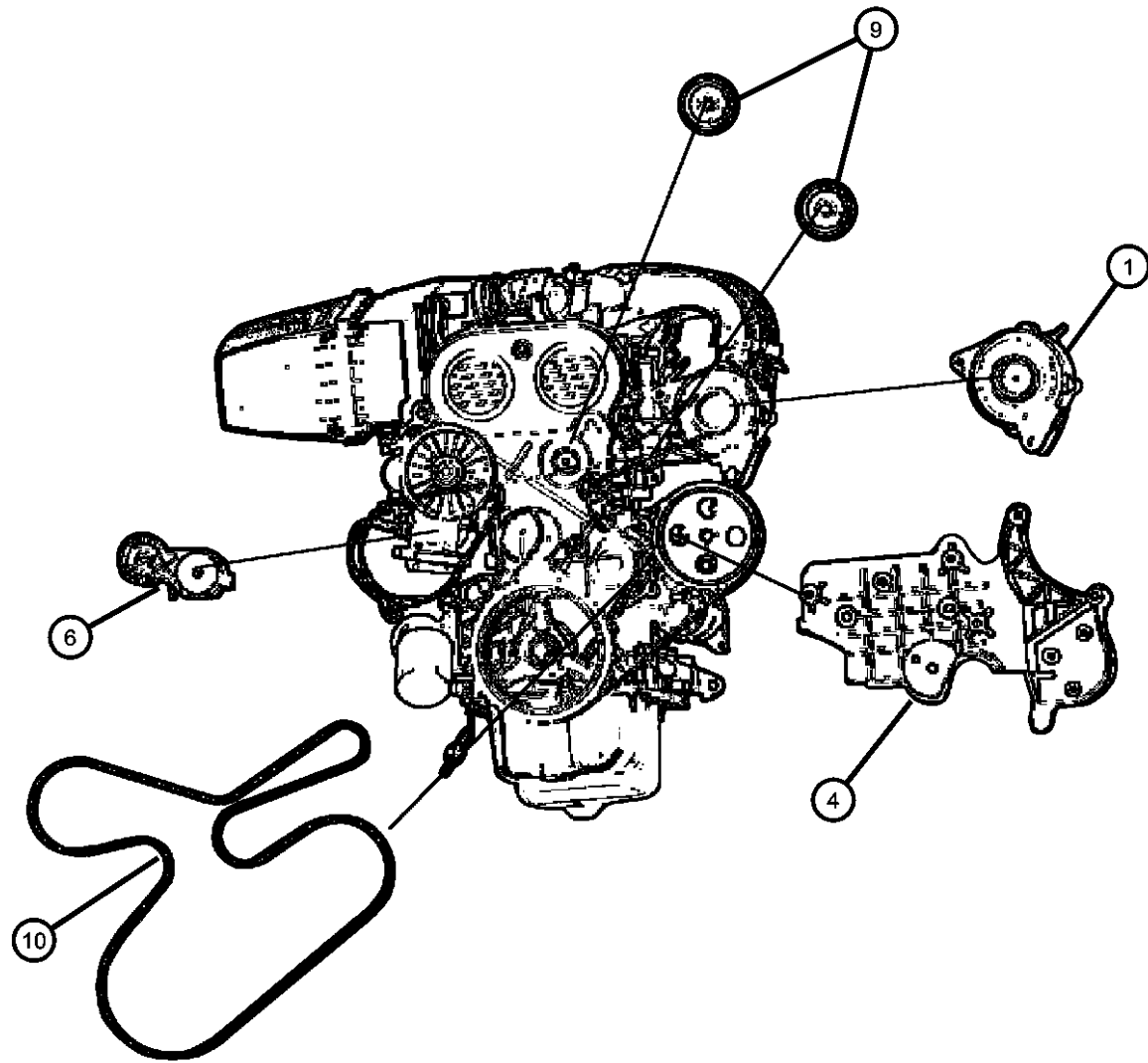
ENGINE  
 ED1 = Engine - 2.4L 4 Cyl DOHC 16v SMPI  
 EKG = Engine - 3.7L V6  
 ENR = Engine - 2.8L 4 Cyl Turbo Diesel  
 ENO = 4CYL turbo diesel

TRANSMISSION  
 DGQ = Transmission-5-Spd Automatic 5-45RFE  
 DG6 = Transmission-4-Spd. Automatic, 42RLE  
 DEH = Transmission-6-Speed Manual, NSG370  
 DG0 = Transmissions - All Automatic  
 DBB = ALL MANUAL TRANSMISSIONS

AR = use ase required - = Non illustrated part

2005 KJ

**Alternator [2.4L ED0]  
Figure 8-205**



ITEM	PART NUMBER	QTY	LINE	SERIES	BODY	ENGINE	TRANS	TRIM	DESCRIPTION
Notes: [ED0] = 2.4L 4 Cylinder Engine									
1	56044532AD	1				ED0			ALTERNATOR, 136 Amp
-2	06102120AA	1				ED0			SCREW AND WASHER, Hex Head, Alternator mounting
-3	06506737AA	2				ED0			SCREW, Alternator Bracket, Bracket to Block
4	04861371AA	1				ED0			BRACKET, Alternator
-5	06506990AA	3				ED0			SCREW, Hex Head, M10x1.5x40, Alternator Bracket to Block
6	04861277AB	1				ED0			TENSIONER, Belt
-7	06506991AA	1				ED0			STUD, Alternator, Tensioner Mounting
-8	06101446	1				ED0			NUT AND WASHER
9	53013324AA	2				ED0			PULLEY, Idler
10									BELT, Accessory Drive
	05281351AC	1				ED0			without Air Conditioning
	53013352AD	1				ED0			with Air Conditioning
-11	34202781	1				ED0			SCREW Idler Pulley

**LIBERTY (KJ)**

SERIES      LINE  
P = LIMITED      J = JEEP - 4WD  
H = SPORT      U = JEEP - 4WD (RHD)  
M = RENEGADE      T = JEEP - 2WD

BODY  
74 = SPORT UTILITY 4-DR

ENGINE  
ED1 = Engine - 2.4L 4 Cyl DOHC 16v SMPI  
EKG = Engine - 3.7L V6  
ENR = Engine - 2.8L 4 Cyl Turbo Diesel  
ENO = 4CYL turbo diesel

TRANSMISSION  
DGQ = Transmission-5-Spd Automatic 5-45RFE  
DG6 = Transmission-4-Spd. Automatic, 42RLE  
DEH = Transmission-6-Speed Manual, NSG370  
DG0 = Transmissions - All Automatic  
DBB = ALL MANUAL TRANSMISSIONS

AR = use ase required - = Non illustrated part

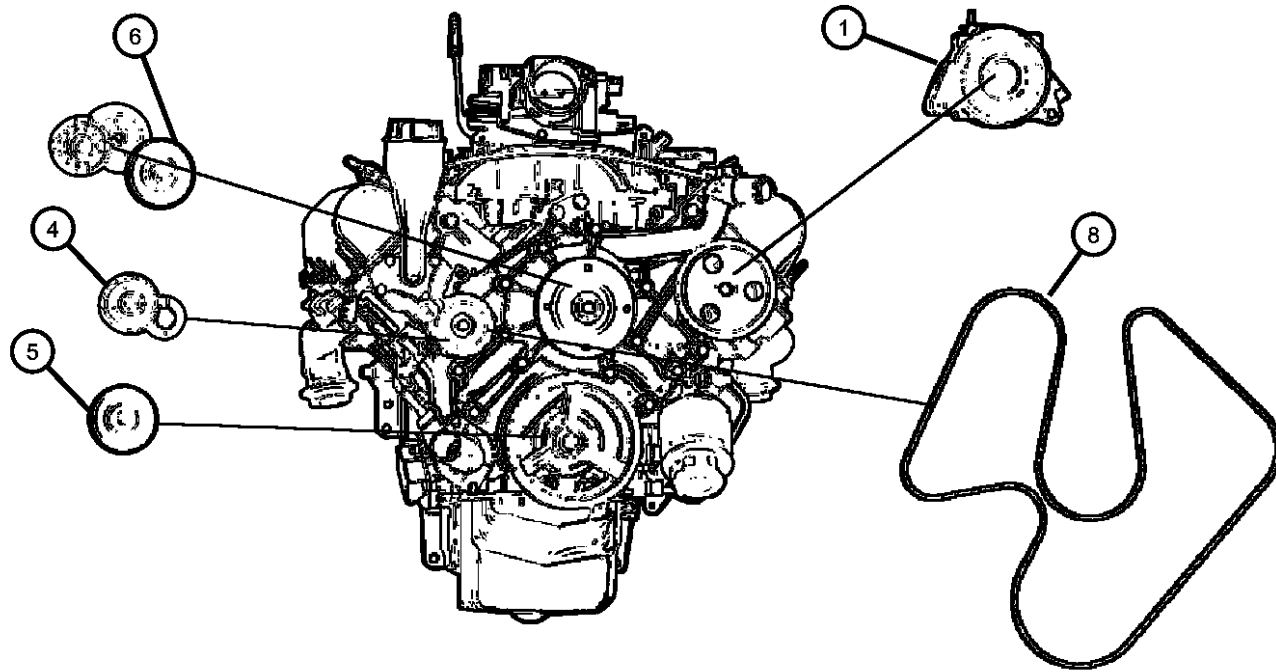
2005 KJ

**Alternator [3.7L EK0]  
Figure 8-210**

ITEM	PART NUMBER	QTY	LINE	SERIES	BODY	ENGINE	TRANS	TRIM	DESCRIPTION
------	-------------	-----	------	--------	------	--------	-------	------	-------------

Notes:  
[ED0]=2.4L 4 Cylinder Engine  
[EK0] = 3.7L V6 Engine

1									ALTERNATOR
	05170748AA	1		M		EK0			[BAB]
	05170749AA	1		H, P		EK0			[BAZ]
-2	06504344	1				EK0			SCREW AND WASHER, Hex Head, Alternator to Front Cover Attaching
-3	06505482AA	1				EK0			SCREW AND WASHER, Hex Head, M8x1.25x50, Alternator to Cylinder Head
4	53030959	1				EK0			BRACKET, Idler Pulley
5	53031045	1				EK0			PULLEY, Idler
6	53030958AD	1				EK0			TENSIONER, Alternator Belt
-7	06505488AA	1				EK0			SCREW AND WASHER, Hex, Alternator to Front Cover attaching
8	53032037AJ	1				EK0			BELT, Accessory Drive



**LIBERTY (KJ)**

SERIES      LINE  
P = LIMITED      J = JEEP - 4WD  
H = SPORT      U = JEEP - 4WD (RHD)  
M = RENEGADE      T = JEEP - 2WD

BODY  
74 = SPORT UTILITY 4-DR

ENGINE  
ED1 = Engine - 2.4L 4 Cyl DOHC 16v SMPI  
EK0 = Engine - 3.7L V6  
ENR = Engine - 2.8L 4 Cyl Turbo Diesel  
ENO = 4CYL turbo diesel

TRANSMISSION  
DGQ = Transmission-5-Spd Automatic 5-45RFE  
DG6 = Transmission-4-Spd. Automatic, 42RLE  
DEH = Transmission-6-Speed Manual, NSG370  
DG0 = Transmissions - All Automatic  
DBB = ALL MANUAL TRANSMISSIONS

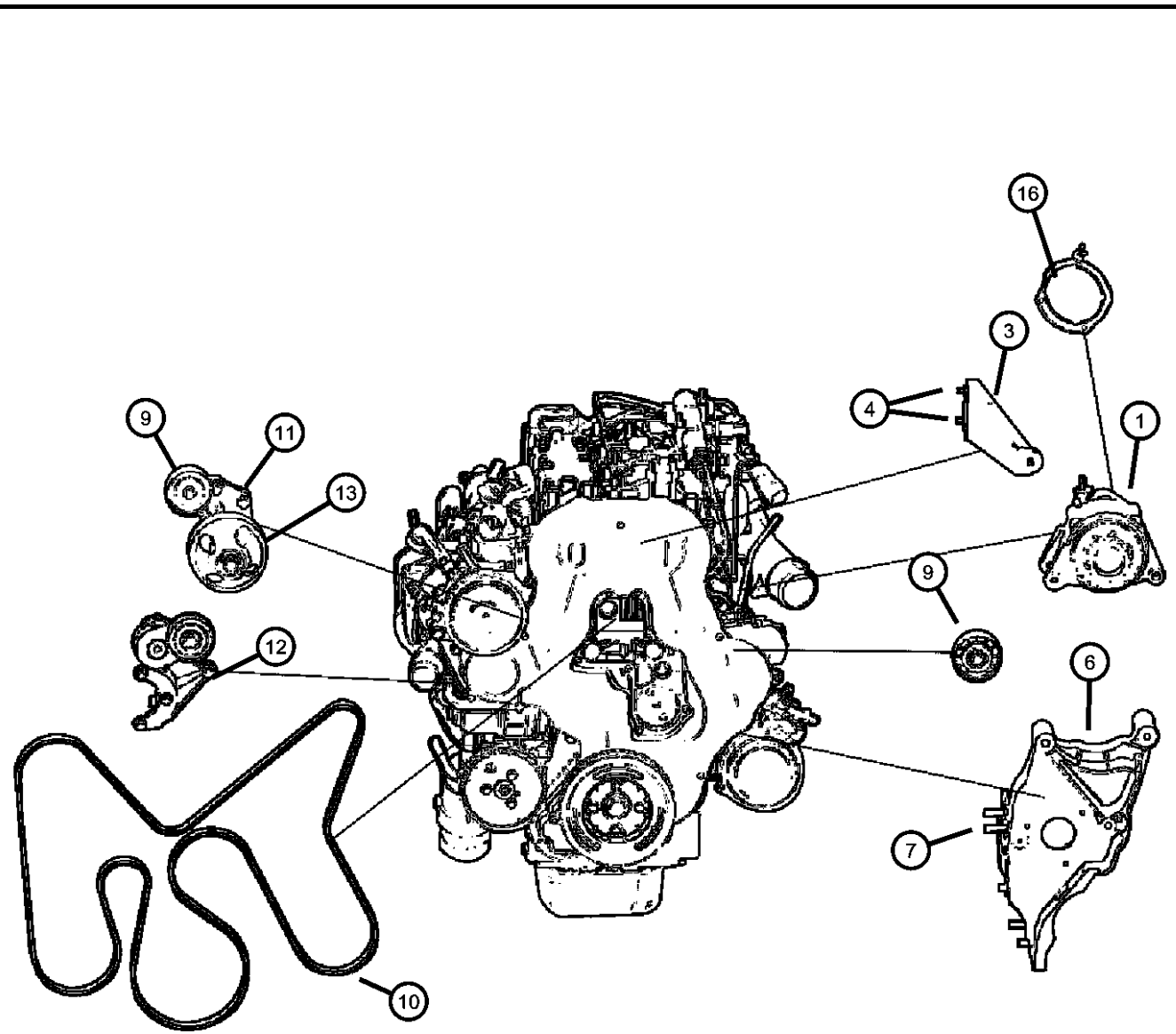
AR = use ase required - = Non illustrated part

2005 KJ





Alternator [2.8L EN0]  
Figure 8-215



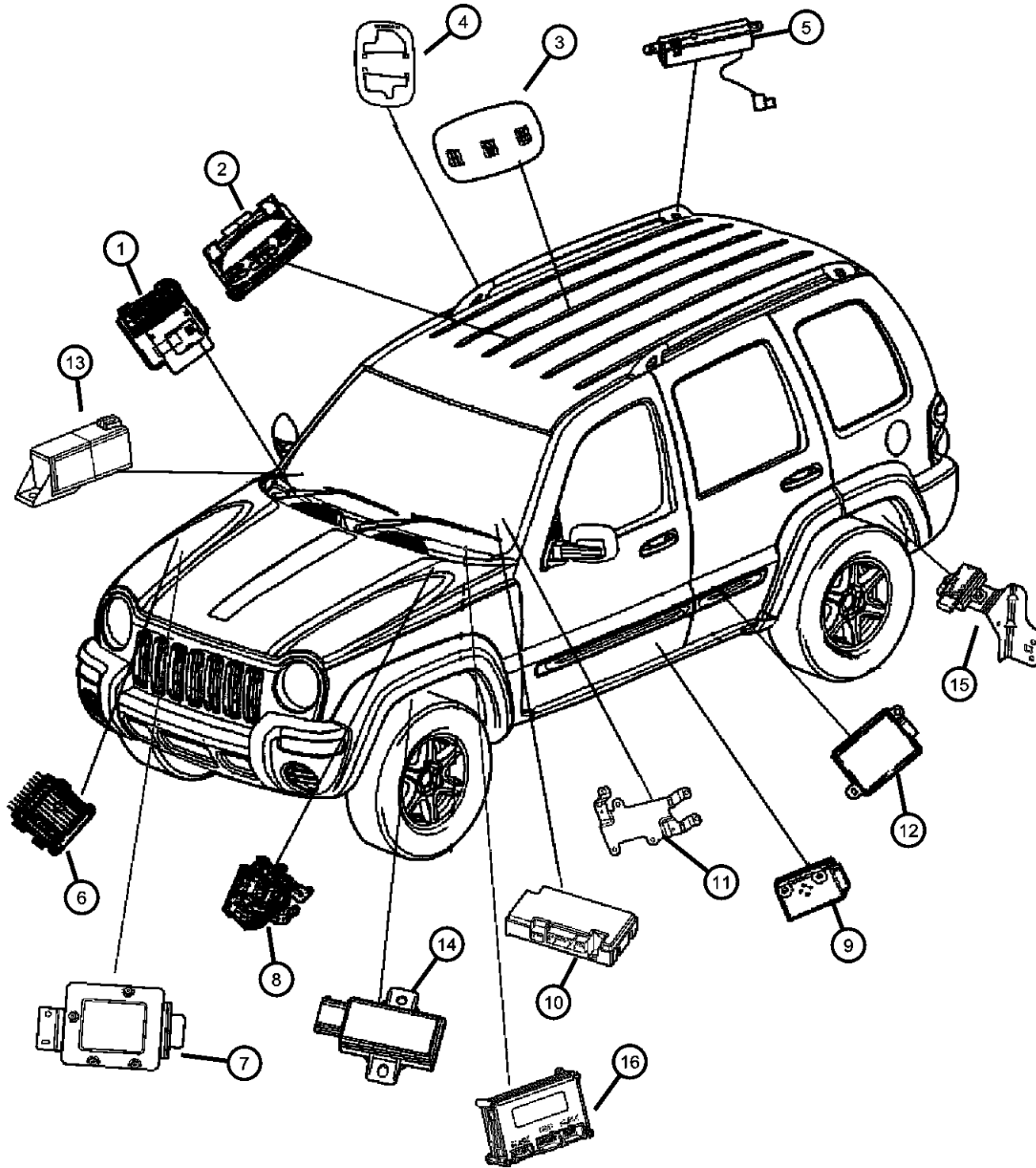
ITEM	PART NUMBER	QTY	LINE	SERIES	BODY	ENGINE	TRANS	TRIM	DESCRIPTION
12	05072440AB	1				EN0	DG0		TENSIONER, Belt
		1				EN0	DBB		
13		1							PUMP, Power Steering, see group 19, (NOT SERVICED)
-14	53013554AD	1				EN0	DG0		PULLEY, Alternator
		1				EN0	DBB		
-15	53013559AA	1				EN0	DG0		CAP, Alternator Pulley
		1				EN0	DBB		
16	05142547AA	1				EN0	DG0		BRACKET, Alternator
		1				EN0	DBB		

**LIBERTY (KJ)**

SERIES	LINE	BODY	ENGINE	TRANSMISSION
P = LIMITED	J = JEEP - 4WD	74 = SPORT UTILITY 4-DR	ED1 = Engine - 2.4L 4 Cyl DOHC 16v SMPI	DGQ = Transmission-5-Spd Automatic 5-45RFE
H = SPORT	U = JEEP - 4WD (RHD)		EKG = Engine - 3.7L V6	DG6 = Transmission-4-Spd. Automatic, 42RLE
M = RENEGADE	T = JEEP - 2WD		ENR = Engine - 2.8L 4 Cyl Turbo Diesel	DEH = Transmission-6-Speed Manual, NSG370
			ENO = 4CYL turbo diesel	DG0 = Transmissions - All Automatic
				DBB = ALL MANUAL TRANSMISSIONS

AR = use ase required - = Non illustrated part

**Modules**  
**Figure 8-405**



ITEM	PART NUMBER	QTY	LINE	SERIES	BODY	ENGINE	TRANS	TRIM	DESCRIPTION
1	05142220AC	1							MODULE, Body Controller
2									MODULE, Overhead Console
	56010520AD	1	J, T						
	56010527AD	1							
3	5GV82BD1AG	1							MODULE, IntrusionExport
4	56010331AB	1							RETAINER, Electronic Module
5	56038526AF	1							ANTENNA
6	56044737AB	1				EN0	DGQ		MODULE, Transmission Control
7									BRACKET, Transmission Control Unit
	56041377AB	1	J, T			EN0	DGQ		
	56041809AA	1	U			EN0	DGQ		
8									MODULE, Anti-lock Brakes
	05140732AB	1				ED0, EK0			[BRY,ED0,EK0] C,M,U Makets
	05140733AB	1				EN0			[BRY,EN0] C,M,U Makets
	05170470AA	1				ED0, EK0			[BRY,ED0,EK0] B Makets
	05170471AA	1				EN0			[BRY,EN0] B Makets
9	56010113AA	1	J, T						MODULE, Heated Seat Control
10	05064022AG	1							MODULE, Telematics, [RSP]
11	56038763AB	1							BRACKET, Module, [RSP]
12									CONTROL MODULE, Receiver
	56053011AE	1							[LAB] Sentry Key Reciever
	56053012AE	1							[XGM,GXX,GXM] Sentry Key Reciever
	56053014AE	1							[GXX,GXW] Sentry Key Reciever
	56053015AE	1							[GXX,GX1] Sentry Key Reciever
	56053020AE	1							[GXX,GXW,LAB] Sentry Key Reciever
13	56044671AA	1				EN0			MODULE, Glow Plug

**LIBERTY (KJ)**

SERIES      LINE  
P = LIMITED      J = JEEP - 4WD  
H = SPORT      U = JEEP - 4WD (RHD)  
M = RENEGADE      T = JEEP - 2WD

BODY  
74 = SPORT UTILITY 4-DR

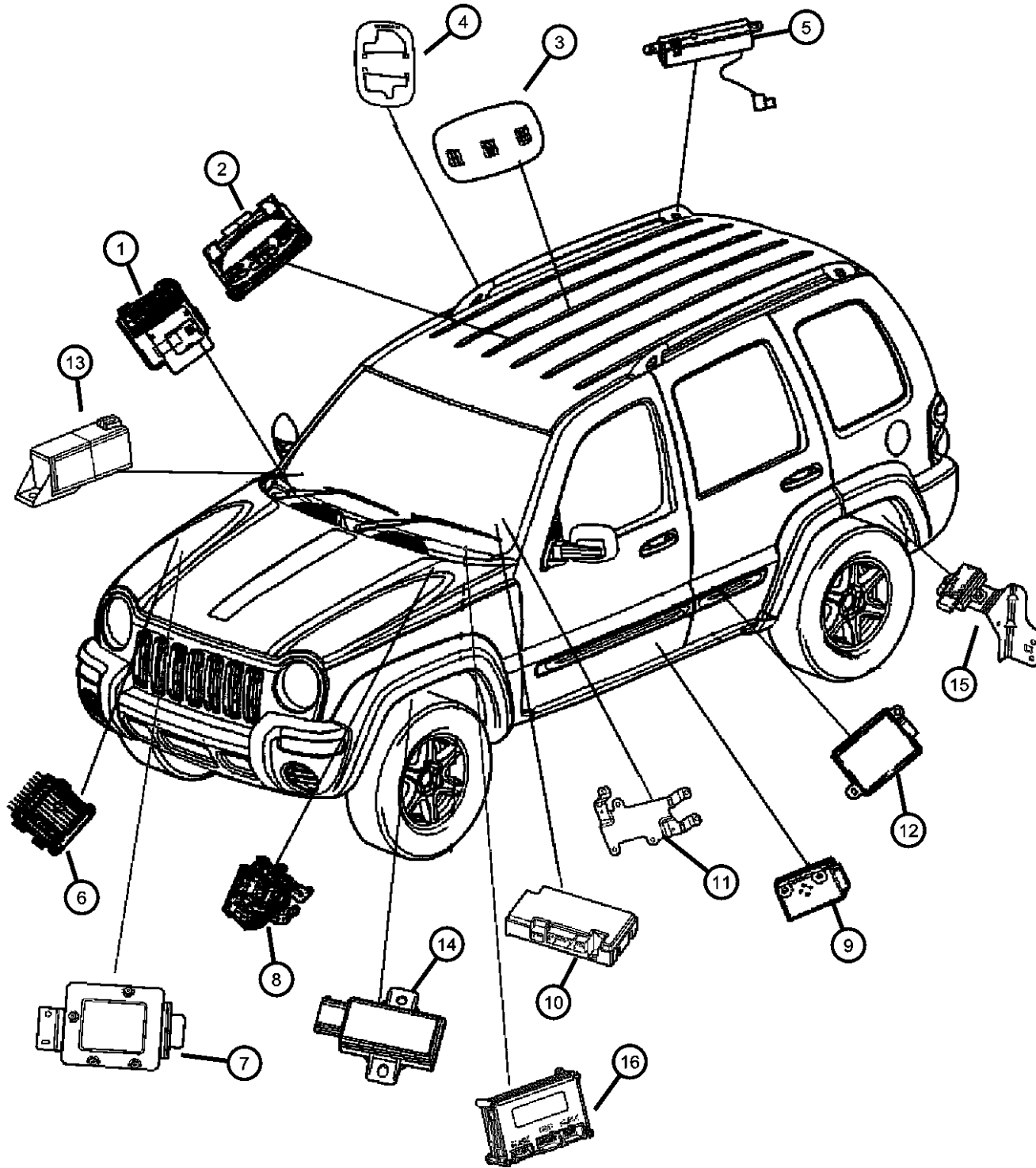
ENGINE  
ED1 = Engine - 2.4L 4 Cyl DOHC 16v SMPI  
EKG = Engine - 3.7L V6  
ENR = Engine - 2.8L 4 Cyl Turbo Diesel  
ENO = 4CYL turbo diesel

TRANSMISSION  
DGQ = Transmission-5-Spd Automatic 5-45RFE  
DG6 = Transmission-4-Spd. Automatic, 42RLE  
DEH = Transmission-6-Speed Manual, NSG370  
DG0 = Transmissions - All Automatic  
DBB = ALL MANUAL TRANSMISSIONS

AR = use ase required - = Non illustrated part

2005 KJ

Modules  
Figure 8-405



ITEM	PART NUMBER	QTY	LINE	SERIES	BODY	ENGINE	TRANS	TRIM	DESCRIPTION
14	56044713AA	1							TRIGGER, Tire Pressure Left
	56044714AA	1							Right
15	56044716AA	1							TRIGGER, Tire PressureRight, Rear
16	56044599AF	1				ENO			MODULE, Gateway

LIBERTY (KJ)

SERIES LINE  
 P = LIMITED J = JEEP - 4WD  
 H = SPORT U = JEEP - 4WD (RHD)  
 M = RENEGADE T = JEEP - 2WD

BODY  
 74 = SPORT UTILITY 4-DR

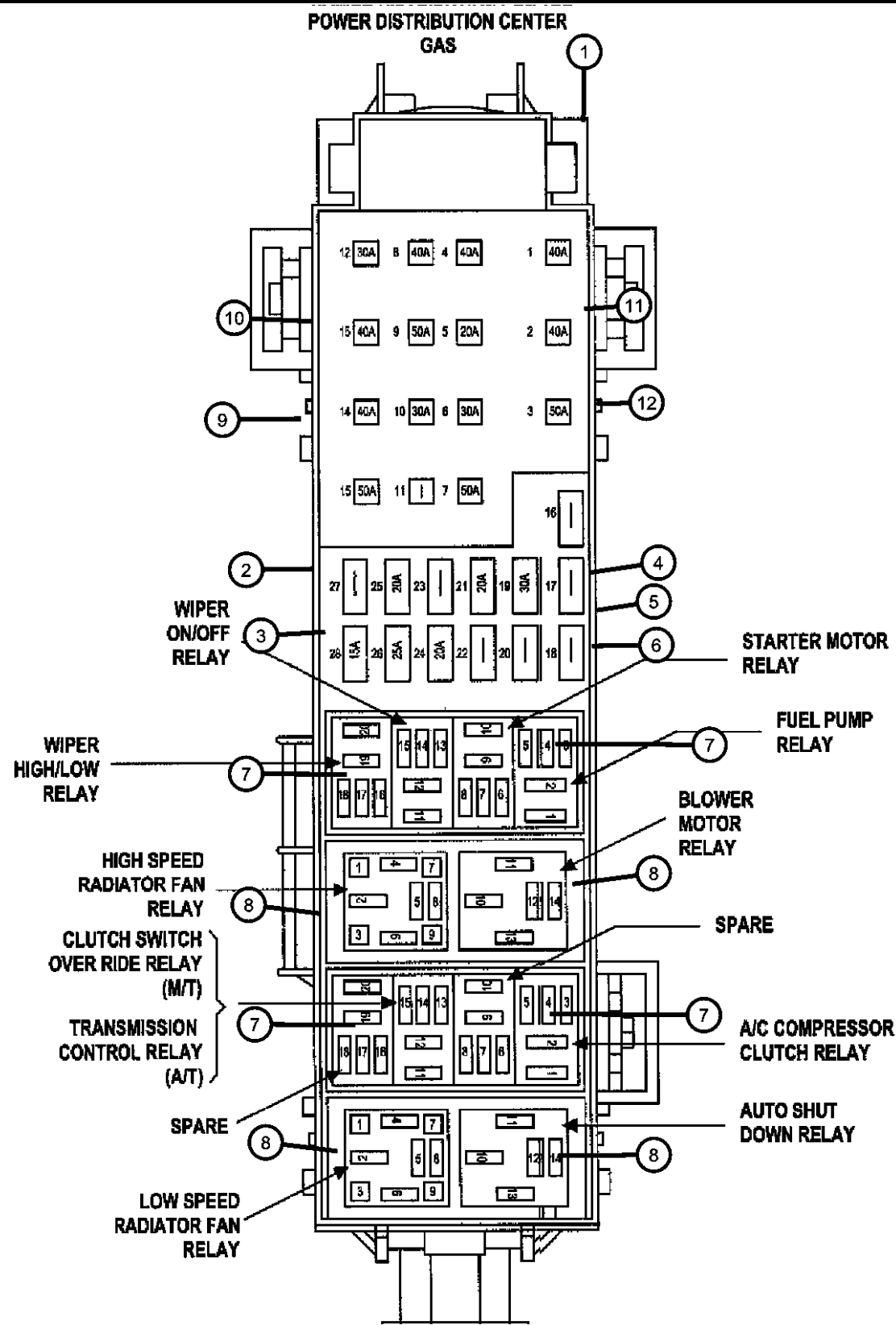
ENGINE  
 ED1 = Engine - 2.4L 4 Cyl DOHC 16v SMPI  
 EKG = Engine - 3.7L V6  
 ENR = Engine - 2.8L 4 Cyl Turbo Diesel  
 ENO = 4CYL turbo diesel

TRANSMISSION  
 DGQ = Transmission-5-Spd Automatic 5-45RFE  
 DG6 = Transmission-4-Spd. Automatic, 42RLE  
 DEH = Transmission-6-Speed Manual, NSG370  
 DG0 = Transmissions - All Automatic  
 DBB = ALL MANUAL TRANSMISSIONS

AR = use ase required - = Non illustrated part

2005 KJ

**Power Distribution Center, [2.4L ED0, 3.7L EK0]  
Figure 8-505**



ITEM	PART NUMBER	QTY	LINE	SERIES	BODY	ENGINE	TRANS	TRIM	DESCRIPTION
1	56044599AF	1							POWER DISTRIBUTION CENTER, Serviced in headlamp to dash wiring, (NOT SERVICED)
2	000ATM10	19							FUSE, Mini, 10 AMP, Red
3	000ATM15	6							FUSE, Mini, 15 AMP, Light Blue
4	000ATM20	7							FUSE, Mini, 20 AMP, Yellow
5	000ATM25	AR							FUSE, Mini, 25 Amp, Natural
6	000ATM30	AR							FUSE, Mini, 30 AMP, Green
7	04671168	1							RELAY, Mini
8	56006709	AR							RELAY, Mini
9	06102075AA	AR							FUSE CARTRIDGE, 20 Amp
10	06102076AA	AR							FUSE CARTRIDGE, 30 Amp
11	06102077AA	AR							FUSE CARTRIDGE, 40 Amp
12	06102078AA	AR							FUSE CARTRIDGE, 50 Amp
-13	05114516AA	1				ED0, EK0			COVER, Power Distribution Center
-14	56038763AB	1							BRACKET, Module, IPM/PDC mounting
-15	06101757	2					DG6		FUSIBLE LINK

**LIBERTY (KJ)**  
 SERIES            LINE  
 P = LIMITED      J = JEEP - 4WD  
 H = SPORT        U = JEEP - 4WD (RHD)  
 M = RENEGADE    T = JEEP - 2WD

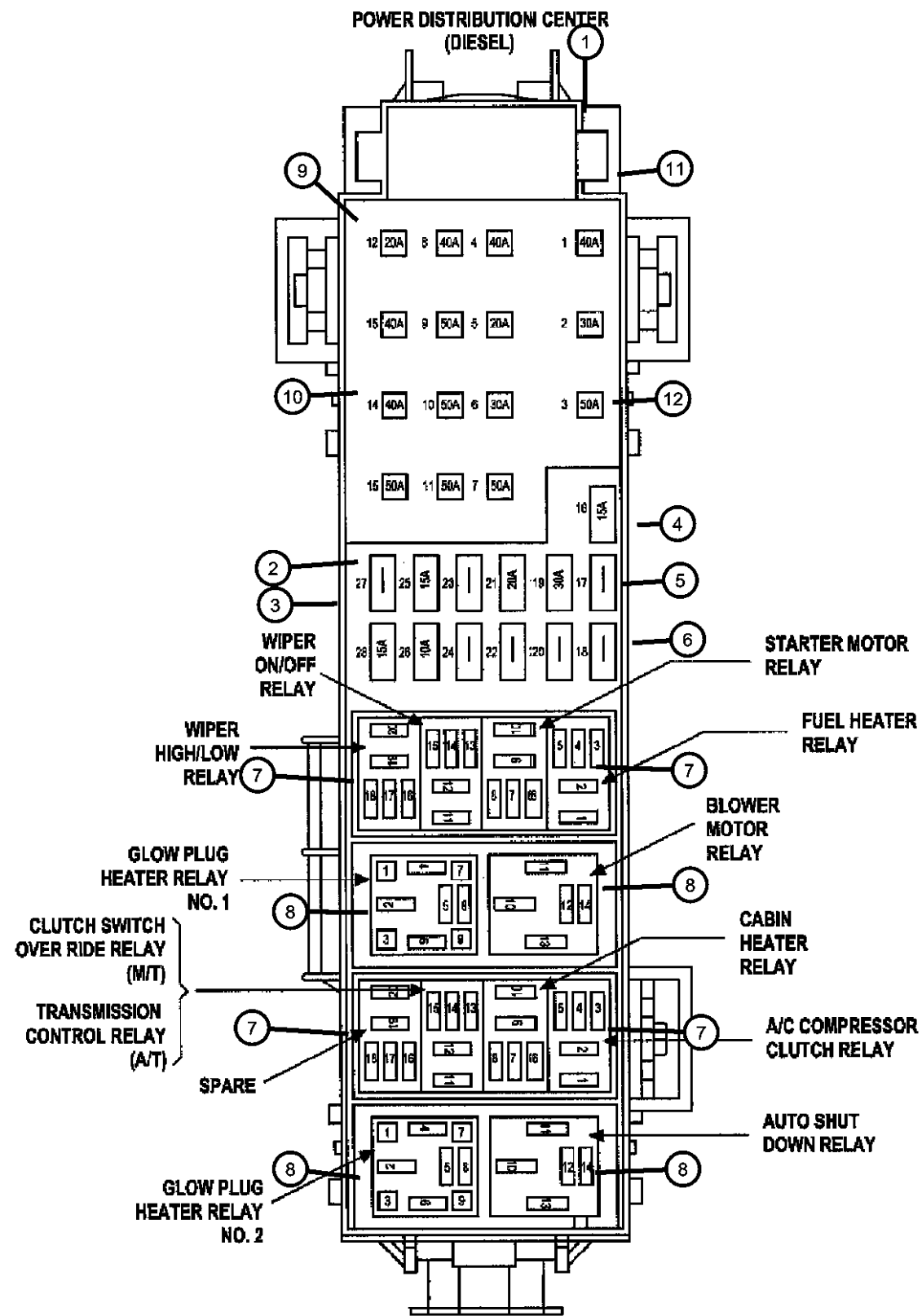
**BODY**  
 74 = SPORT UTILITY 4-DR

**ENGINE**  
 ED1 = Engine - 2.4L 4 Cyl DOHC 16v SMPI  
 EKG = Engine - 3.7L V6  
 ENR = Engine - 2.8L 4 Cyl Turbo Diesel  
 ENO = 4CYL turbo diesel

**TRANSMISSION**  
 DGQ = Transmission-5-Spd Automatic 5-45RFE  
 DG6 = Transmission-4-Spd. Automatic, 42RLE  
 DEH = Transmission-6-Speed Manual, NSG370  
 DG0 = Transmissions - All Automatic  
 DBB = ALL MANUAL TRANSMISSIONS

AR = use as required - = Non illustrated part

**Power Distribution Center [2.8L EN0]  
Figure 8-510**



ITEM	PART NUMBER	QTY	LINE	SERIES	BODY	ENGINE	TRANS	TRIM	DESCRIPTION
1	06101757	2							POWER DISTRIBUTION CENTER, Serviced in headlamp to dash wiring, (NOT SERVICED)
2	000ATM10	AR							FUSE, Mini, 10 AMP, Red
3	000ATM15	6							FUSE, Mini, 15 AMP, Light Blue
4	000ATM20	7							FUSE, Mini, 20 AMP, Yellow
5	000ATM25	AR							FUSE, Mini, 25 Amp, Natural
6	000ATM30	AR							FUSE, Mini, 30 AMP, Green
7	04671168	1							RELAY, Mini
8	56006709	AR							RELAY, Mini
9	06102075AA	AR							FUSE CARTRIDGE, 20 Amp
10	06102076AA	AR							FUSE CARTRIDGE, 30 Amp
11	06102077AA	AR							FUSE CARTRIDGE, 40 Amp
12	06102078AA	AR							FUSE CARTRIDGE, 50 Amp
-13	05170021AA	1				EN0			COVER, Power Distribution Center
-14	56038763AB	1							BRACKET, Module, IPM/PDC mounting

**LIBERTY (KJ)**

SERIES      LINE  
 P = LIMITED      J = JEEP - 4WD  
 H = SPORT      U = JEEP - 4WD (RHD)  
 M = RENEGADE      T = JEEP - 2WD

BODY  
 74 = SPORT UTILITY 4-DR

ENGINE  
 ED1 = Engine - 2.4L 4 Cyl DOHC 16v SMPI  
 EKG = Engine - 3.7L V6  
 ENR = Engine - 2.8L 4 Cyl Turbo Diesel  
 ENO = 4CYL turbo diesel

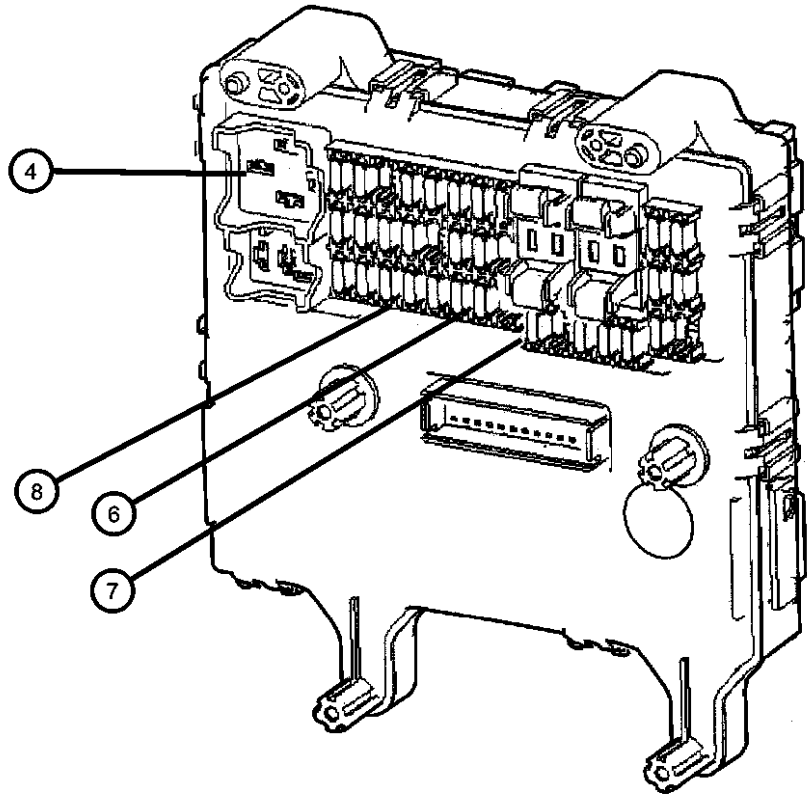
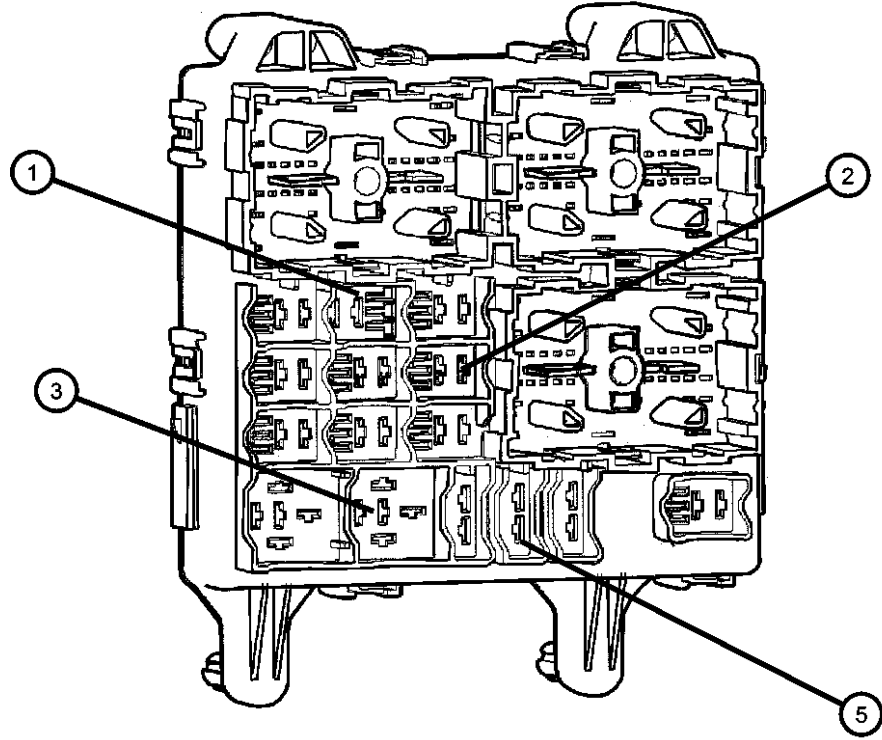
TRANSMISSION  
 DGQ = Transmission-5-Spd Automatic 5-45RFE  
 DG6 = Transmission-4-Spd. Automatic, 42RLE  
 DEH = Transmission-6-Speed Manual, NSG370  
 DG0 = Transmissions - All Automatic  
 DBB = ALL MANUAL TRANSMISSIONS

AR = use ase required    - = Non illustrated part

2005 KJ

**Junction Block, Relays, Circuit Breaker**  
**Figure 8-515**

ITEM	PART NUMBER	QTY	LINE	SERIES	BODY	ENGINE	TRANS	TRIM	DESCRIPTION
------	-------------	-----	------	--------	------	--------	-------	------	-------------



Notes:

[EN0]= All 4/5 Cylinder Turbo Diesel Engine

1	56010436AE	1							JUNCTION BLOCK, Relay
2	04671168	1							RELAY, Mini, High Beam, Door Locks, Foglamp
3	56006709	2							RELAY, Mini
4	56042216AB	1							RELAY, Daytime Running Lamp
5									BREAKER, Circuit
	56007290	1							18 AMP
	56021543	1							25 AMP
6	000ATM10	1	J, T						FUSE, Mini, 10 AMP, Red
7	000ATM15	1	J, T						FUSE, Mini, 15 AMP, Light Blue
8	000ATM20	1	J, T						FUSE, Mini, 20 AMP, Yellow
-9									PULLER, Fuse
	05072937AA	1			U				
		1			J, T				
-10									BRACKET, Junction Block
	56009986AB	1							
	56010333AD	1	J, T						
	56010334AD	1	U						

**LIBERTY (KJ)**

SERIES      LINE  
P = LIMITED      J = JEEP - 4WD  
H = SPORT      U = JEEP - 4WD (RHD)  
M = RENEGADE      T = JEEP - 2WD

BODY  
74 = SPORT UTILITY 4-DR

ENGINE  
ED1 = Engine - 2.4L 4 Cyl DOHC 16v SMPI  
EKG = Engine - 3.7L V6  
ENR = Engine - 2.8L 4 Cyl Turbo Diesel  
ENO = 4CYL turbo diesel

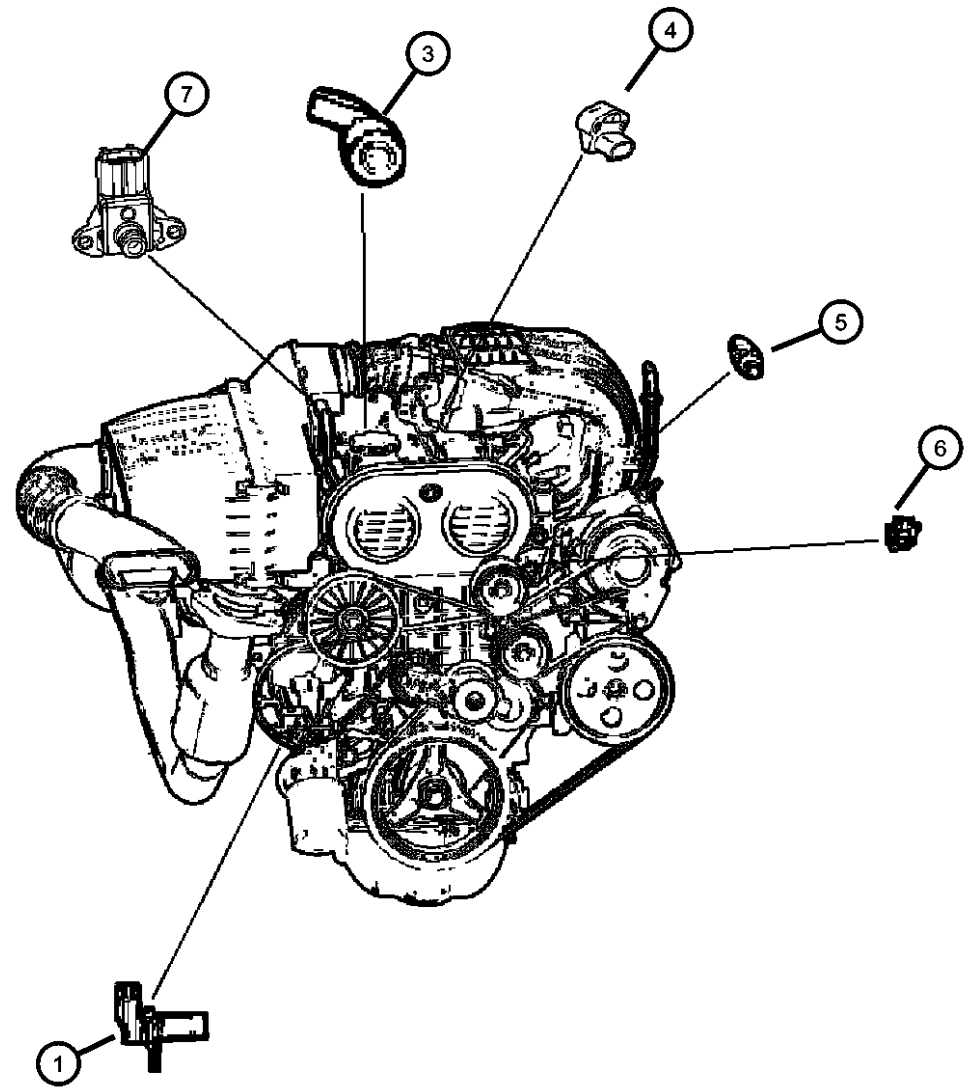
TRANSMISSION  
DGQ = Transmission-5-Spd Automatic 5-45RFE  
DG6 = Transmission-4-Spd. Automatic, 42RLE  
DEH = Transmission-6-Speed Manual, NSG370  
DG0 = Transmissions - All Automatic  
DBB = ALL MANUAL TRANSMISSIONS

AR = use ase required - = Non illustrated part

2005 KJ

**Sensor, Engine (2.4L ED0]  
Figure 8-605**

ITEM	PART NUMBER	QTY	LINE	SERIES	BODY	ENGINE	TRANS	TRIM	DESCRIPTION
------	-------------	-----	------	--------	------	--------	-------	------	-------------



Notes:

[ED0]=2.4L 4 Cylinder Engine  
[DDK]=All 5 Speed Heavy Duty Manual Transmissions

1	05269873AB	1				ED0			SENSOR, Crankshaft Position
-2	06507220AA	1				ED0			SCREW, M6x1x14
3	05072759AA	1				ED0			SENSOR, Camshaft
4	04606487AB	1				ED0			SENSOR, Charge Air Temp
5	56027873	1				ED0			SENSOR, Coolant Temperature
6	05019411AC	1				ED0			SENSOR KIT, Throttle Position
7	56041018AC	1				ED0			SENSOR, MAP

**LIBERTY (KJ)**

SERIES      LINE  
P = LIMITED    J = JEEP - 4WD  
H = SPORT      U = JEEP - 4WD (RHD)  
M = RENEGADE   T = JEEP - 2WD

BODY  
74 = SPORT UTILITY 4-DR

ENGINE  
ED1 = Engine - 2.4L 4 Cyl  
DOHC 16v SMPI  
EKG = Engine - 3.7L V6  
ENR = Engine - 2.8L 4 Cyl  
Turbo Diesel  
ENO = 4CYL turbo diesel

TRANSMISSION  
DGQ = Transmission-5-Spd Automatic  
5-45RFE  
DG6 = Transmission-4-Spd.  
Automatic, 42RLE  
DEH = Transmission-6-Speed Manual,  
NSG370  
DG0 = Transmissions - All Automatic  
DBB = ALL MANUAL  
TRANSMISSIONS

AR = use ase required   - = Non illustrated part

2005 KJ

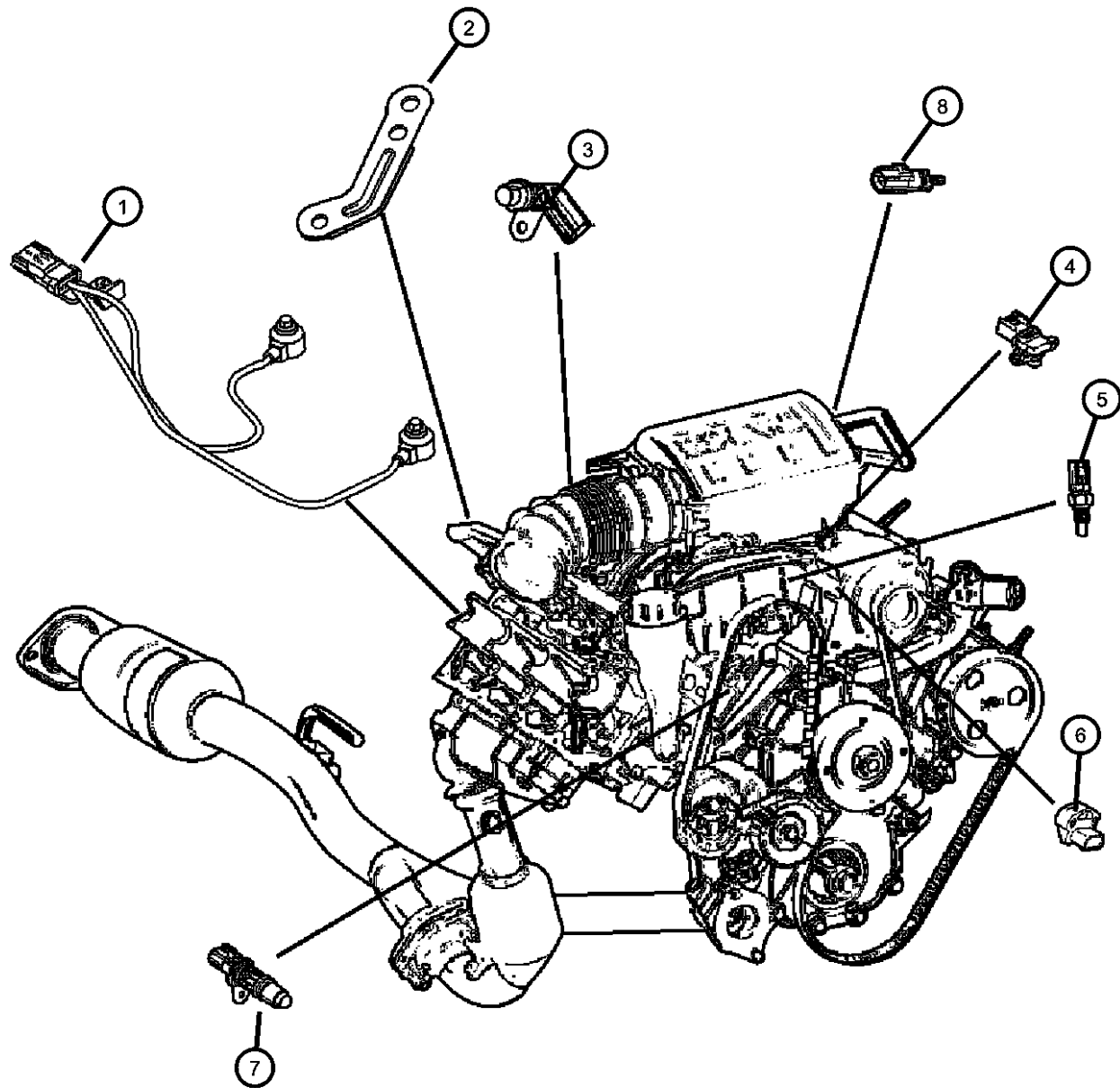


**Sensors, Engine (3.7L EK0]  
Figure 8-610**

ITEM	PART NUMBER	QTY	LINE	SERIES	BODY	ENGINE	TRANS	TRIM	DESCRIPTION
------	-------------	-----	------	--------	------	--------	-------	------	-------------

Notes:  
[EK0]=3.7L V6 Engine

1	56041679AC	1				EK0			SENSOR, Knock
2	56041849AA	1				EK0			BRACKET, Knock Sensor
3	56044180AB	1				EK0			SENSOR, Crankshaft Position
4	56041018AC	1				EK0			SENSOR, MAP
5	56027873	1				EK0			SENSOR, Coolant Temperature
6	05019411AC	1				EK0			SENSOR KIT, Throttle Position
7	56041584AE	1				EK0			SENSOR, Camshaft
8	04606487AB	1				EK0			SENSOR, Charge Air Temp



**LIBERTY (KJ)**

SERIES      LINE  
P = LIMITED    J = JEEP - 4WD  
H = SPORT      U = JEEP - 4WD (RHD)  
M = RENEGADE   T = JEEP - 2WD

BODY  
74 = SPORT UTILITY 4-DR

ENGINE  
ED1 = Engine - 2.4L 4 Cyl  
DOHC 16v SMPI  
EKG = Engine - 3.7L V6  
ENR = Engine - 2.8L 4 Cyl  
Turbo Diesel  
ENO = 4CYL turbo diesel

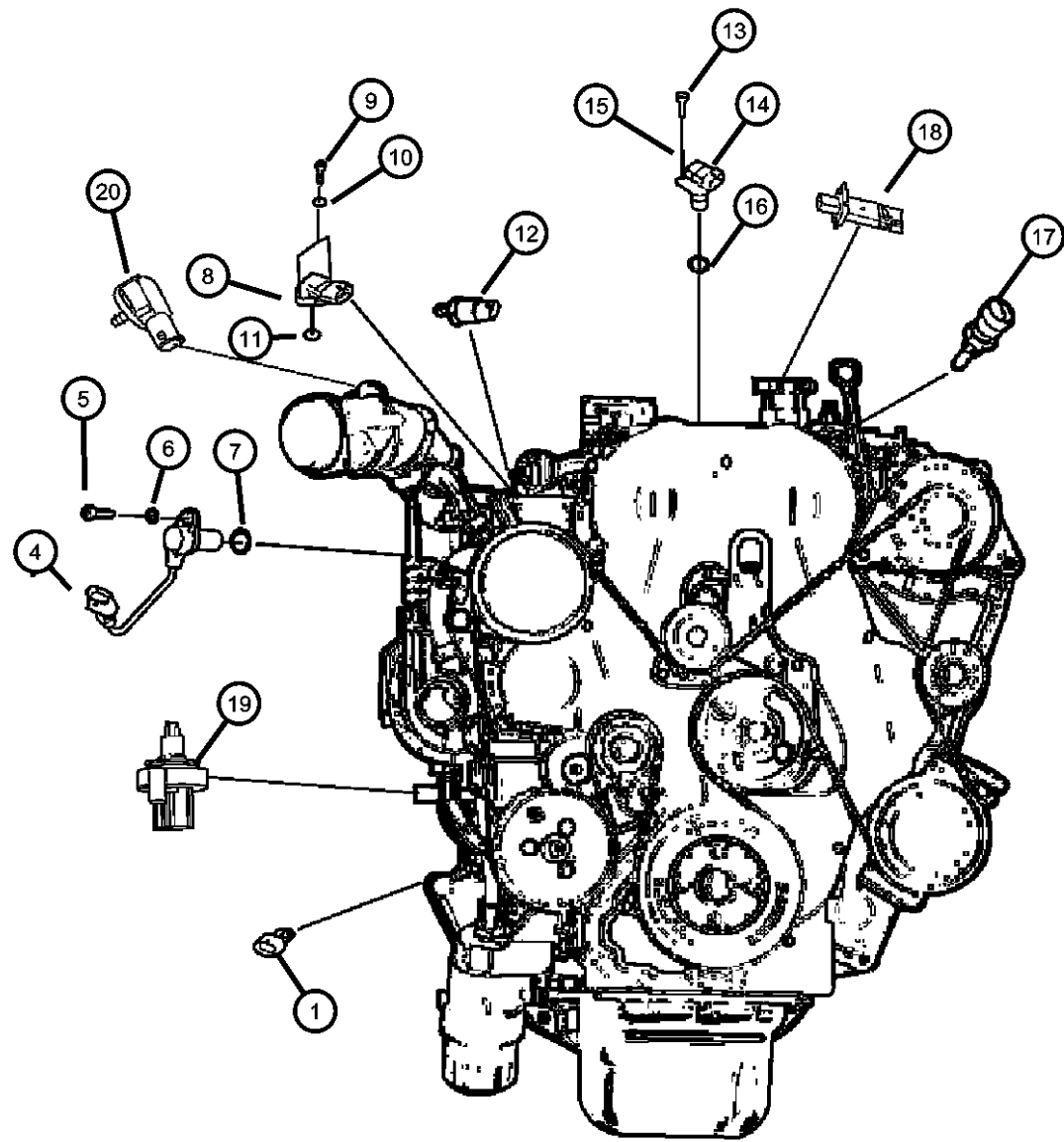
TRANSMISSION  
DGQ = Transmission-5-Spd Automatic  
5-45RFE  
DG6 = Transmission-4-Spd.  
Automatic, 42RLE  
DEH = Transmission-6-Speed Manual,  
NSG370  
DG0 = Transmissions - All Automatic  
DBB = ALL MANUAL  
TRANSMISSIONS

AR = use ase required - = Non illustrated part

2005 KJ



Sensors, Engine (2.8L EN0]  
Figure 8-615



ITEM	PART NUMBER	QTY	LINE	SERIES	BODY	ENGINE	TRANS	TRIM	DESCRIPTION
17	05066779AA	1				EN0	DG0		SENSOR, Temperature Sending Unit
		1				EN0	DBB		
18	53013733AB	1				EN0			SENSOR, Air Flow
19	05143002AA	1				EN0			SENSOR, Fuel/Water
20	56044591AA	1				EN0			SENSOR, Air Pressure

LIBERTY (KJ)

SERIES      LINE  
P = LIMITED      J = JEEP - 4WD  
H = SPORT      U = JEEP - 4WD (RHD)  
M = RENEGADE      T = JEEP - 2WD

BODY  
74 = SPORT UTILITY 4-DR

ENGINE  
ED1 = Engine - 2.4L 4 Cyl DOHC 16v SMPI  
EKG = Engine - 3.7L V6  
ENR = Engine - 2.8L 4 Cyl Turbo Diesel  
ENO = 4CYL turbo diesel

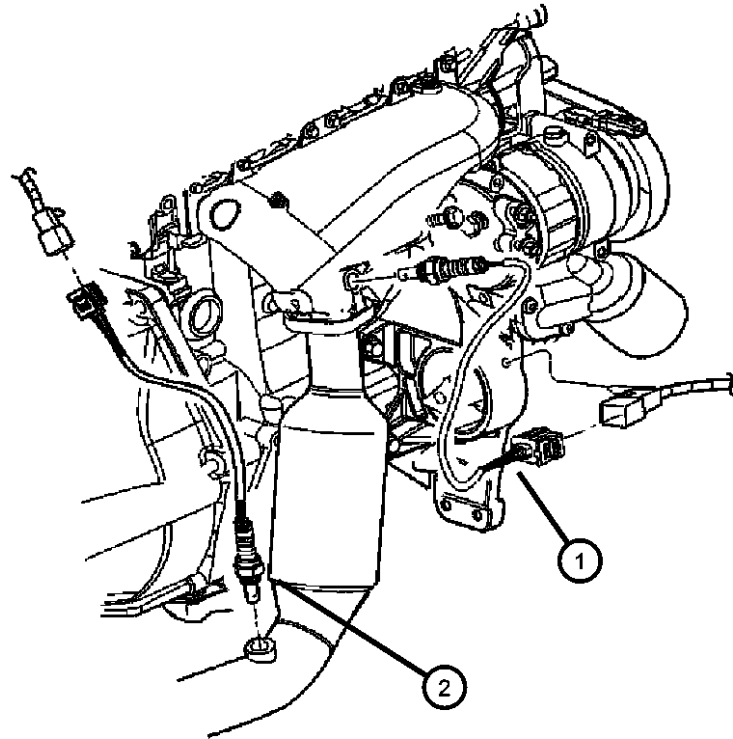
TRANSMISSION  
DGQ = Transmission-5-Spd Automatic 5-45RFE  
DG6 = Transmission-4-Spd. Automatic, 42RLE  
DEH = Transmission-6-Speed Manual, NSG370  
DG0 = Transmissions - All Automatic  
DBB = ALL MANUAL TRANSMISSIONS

AR = use ase required - = Non illustrated part

2005 KJ

Sensors, Oxygen [2.4L ED0]  
Figure 8-620

ITEM	PART NUMBER	QTY	LINE	SERIES	BODY	ENGINE	TRANS	TRIM	DESCRIPTION
1	56029049AA	1				ED0			SENSOR, Oxygen, Before catalyst
2	56029049AA	1				ED0			SENSOR, Oxygen, After catalyst



LIBERTY (KJ)

SERIES      LINE  
P = LIMITED      J = JEEP - 4WD  
H = SPORT      U = JEEP - 4WD (RHD)  
M = RENEGADE      T = JEEP - 2WD

BODY  
74 = SPORT UTILITY 4-DR

ENGINE  
ED1 = Engine - 2.4L 4 Cyl  
DOHC 16v SMPI  
EKG = Engine - 3.7L V6  
ENR = Engine - 2.8L 4 Cyl  
Turbo Diesel  
ENO = 4CYL turbo diesel

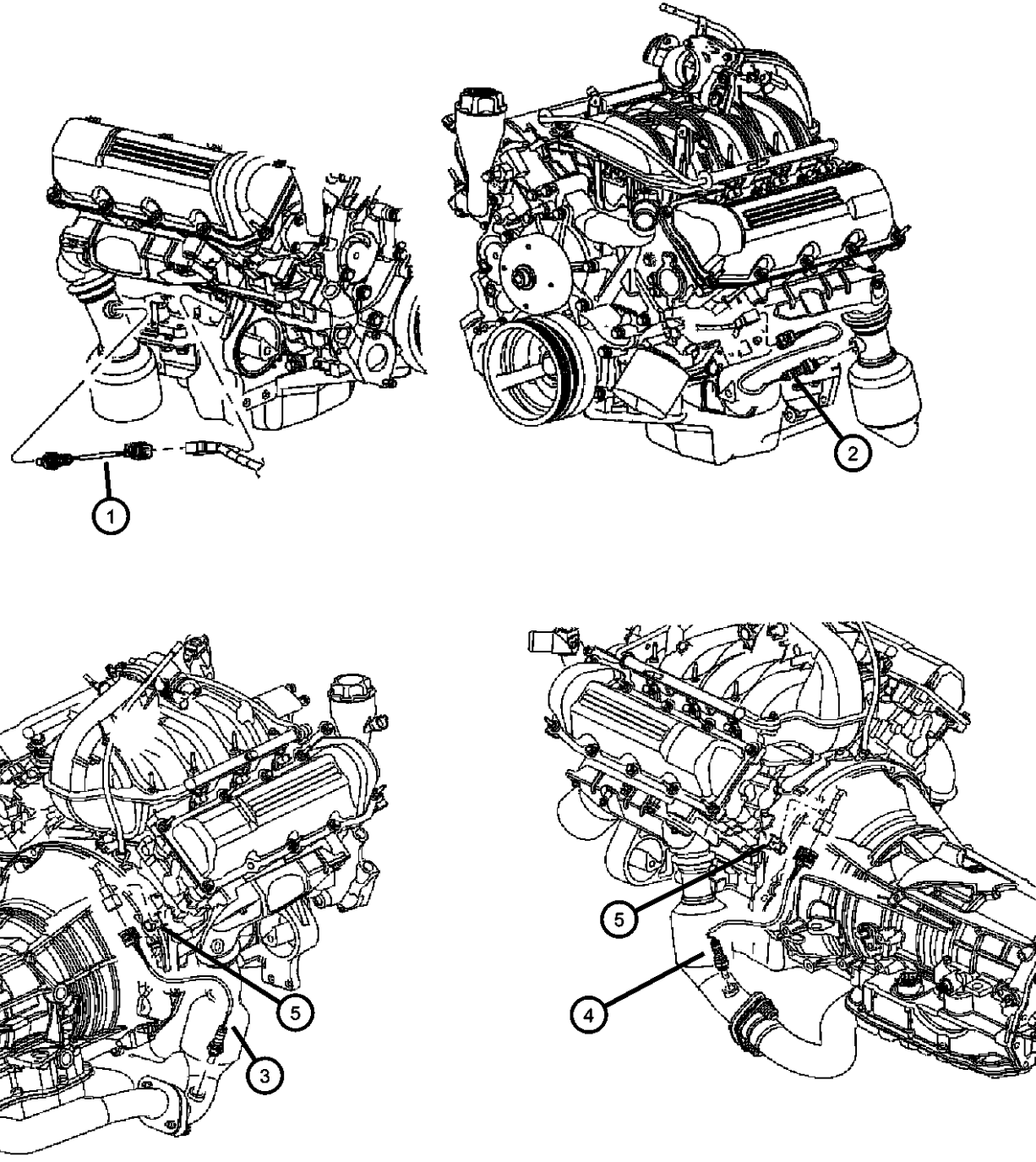
TRANSMISSION  
DGQ = Transmission-5-Spd Automatic  
5-45RFE  
DG6 = Transmission-4-Spd.  
Automatic, 42RLE  
DEH = Transmission-6-Speed Manual,  
NSG370  
DG0 = Transmissions - All Automatic  
DBB = ALL MANUAL  
TRANSMISSIONS

AR = use ase required - = Non illustrated part

2005 KJ

Sensors, Oxygen [3.7L EK0]  
Figure 8-625

ITEM	PART NUMBER	QTY	LINE	SERIES	BODY	ENGINE	TRANS	TRIM	DESCRIPTION
1	56028994AB	1				EK0			SENSOR, Oxygen, Before catalyst, Right
2	56028994AB	1				EK0			SENSOR, Oxygen, Before catalyst, Left
3	56029049AA	1				EK0			SENSOR, Oxygen, After catalyst, Right
4	56029049AA	1				EK0			SENSOR, Oxygen, After catalyst, Left
5	56041823AB	1				EK0	DG0		BRACKET, Oxygen Sensor
		2				EK0	DBB		



LIBERTY (KJ)

SERIES      LINE  
P = LIMITED      J = JEEP - 4WD  
H = SPORT      U = JEEP - 4WD (RHD)  
M = RENEGADE      T = JEEP - 2WD

BODY  
74 = SPORT UTILITY 4-DR

ENGINE  
ED1 = Engine - 2.4L 4 Cyl DOHC 16v SMPI  
EK0 = Engine - 3.7L V6  
ENR = Engine - 2.8L 4 Cyl Turbo Diesel  
ENO = 4CYL turbo diesel

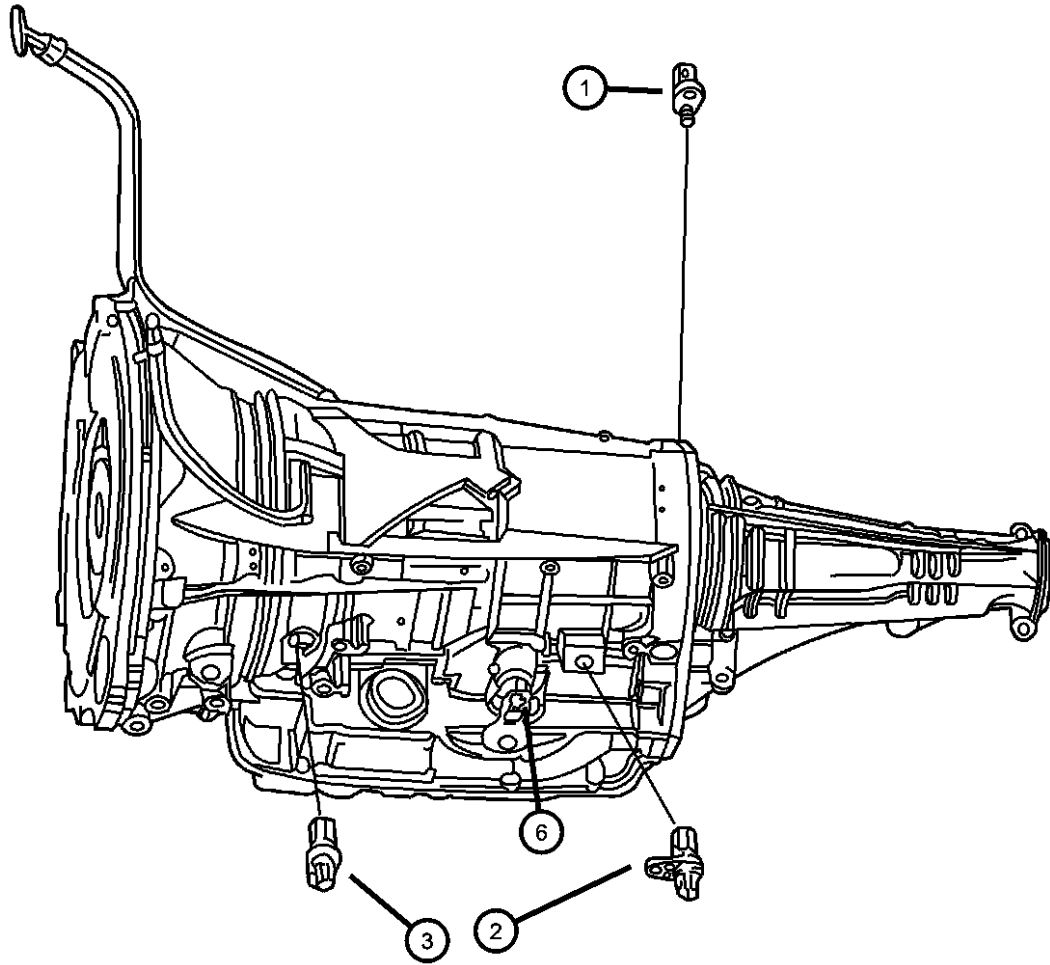
TRANSMISSION  
DGQ = Transmission-5-Spd Automatic 5-45RFE  
DG6 = Transmission-4-Spd. Automatic, 42RLE  
DEH = Transmission-6-Speed Manual, NSG370  
DG0 = Transmissions - All Automatic  
DBB = ALL MANUAL TRANSMISSIONS

AR = use ase required - = Non illustrated part

2005 KJ

**Sensor (Drive Train)  
Figure 8-635**

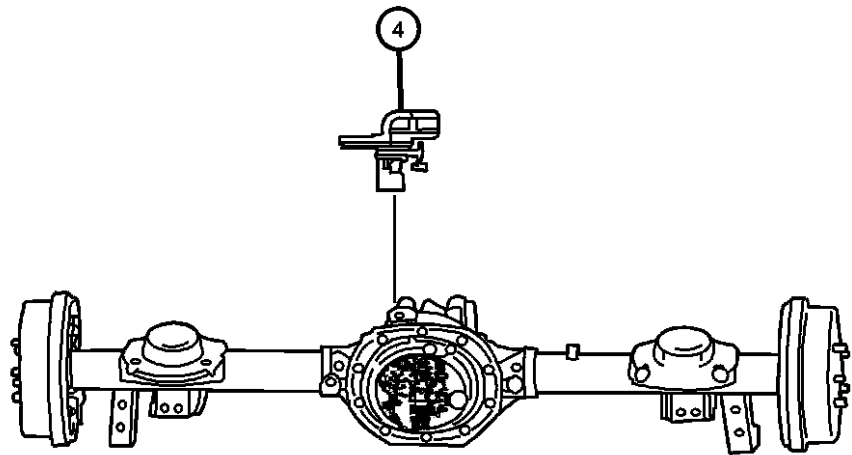
ITEM	PART NUMBER	QTY	LINE	SERIES	BODY	ENGINE	TRANS	TRIM	DESCRIPTION
------	-------------	-----	------	--------	------	--------	-------	------	-------------



Notes:

- [DGQ] = 5 Speed Automatic Transmission
- [DG4 ]= Multi-Speed Automatic Transmission
- [DG6] = 4 Speed Automatic Transmission
- [ED0] = 2.4L Engine
- [EK0] = 3.7L Engine
- [EN0] = 2.5L Turbo Diesel Engine

1	04799758	1	J, U			EN0	DGQ		TRANSDUCER, Pressure Sensor
2									SENSOR, Transmission Output Speed
	52854001AA	1	J, U				DG6		
		1	T				DG6		
3									SENSOR, Transmission Input Speed
	04799061AB	2	J, U			EN0	DGQ		
		1	J, U				DG6		
		1	T				DG6		
4	56041393AA	1							SENSOR, Wheel Speed
-5	05086373AA	1							O RING, Sensor
6									SENSOR, Manual Valve Lever
	04659677AC	1	J, U				DG6		
		1	T				DG6		



**LIBERTY (KJ)**

SERIES      LINE  
P = LIMITED      J = JEEP - 4WD  
H = SPORT      U = JEEP - 4WD (RHD)  
M = RENEGADE      T = JEEP - 2WD

BODY  
74 = SPORT UTILITY 4-DR

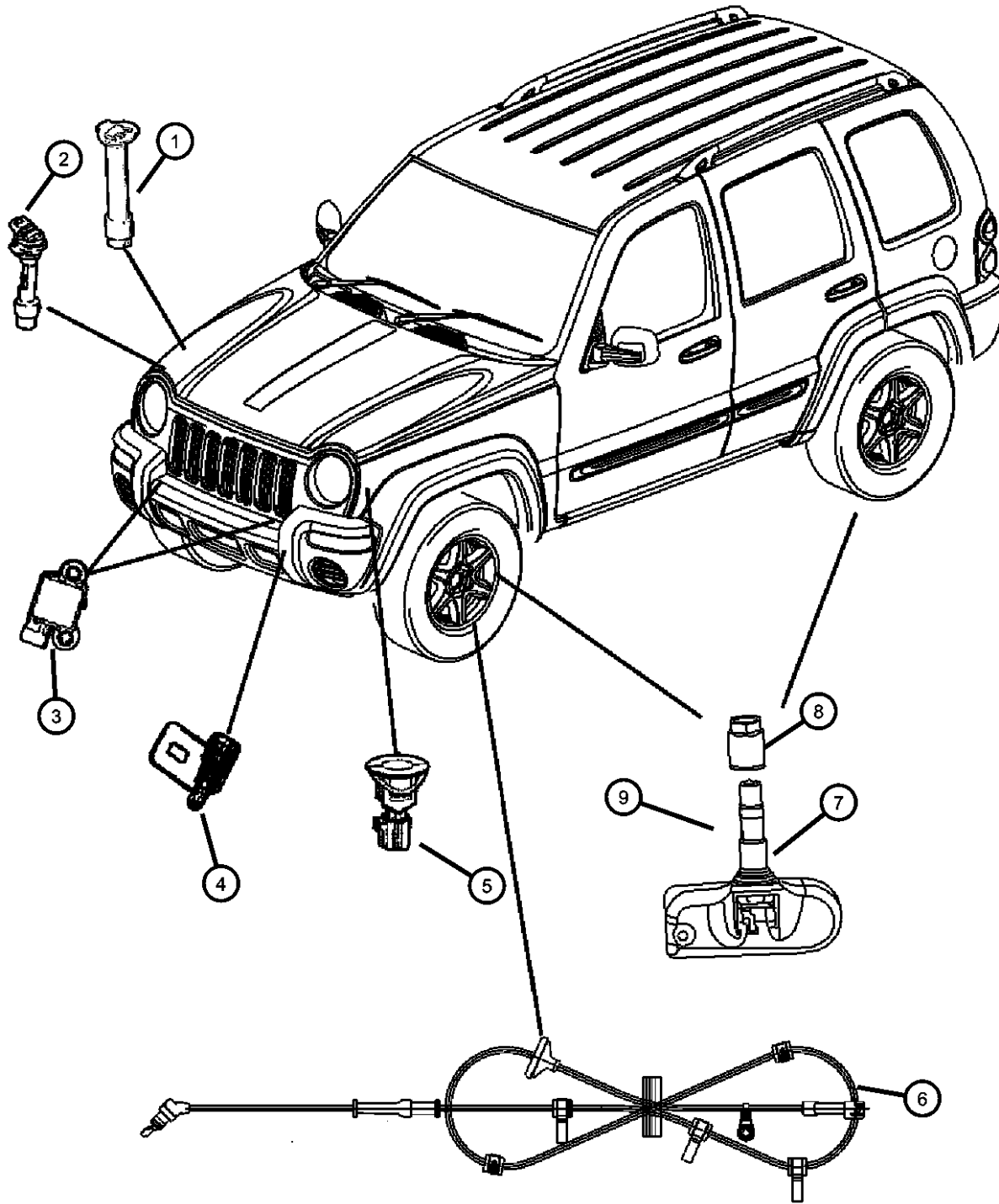
ENGINE  
ED1 = Engine - 2.4L 4 Cyl DOHC 16v SMPI  
EK0 = Engine - 3.7L V6  
ENR = Engine - 2.8L 4 Cyl Turbo Diesel  
ENO = 4CYL turbo diesel

TRANSMISSION  
DGQ = Transmission-5-Spd Automatic 5-45RFE  
DG6 = Transmission-4-Spd. Automatic, 42RLE  
DEH = Transmission-6-Speed Manual, NSG370  
DG0 = Transmissions - All Automatic  
DBB = ALL MANUAL TRANSMISSIONS

AR = use ase required    - = Non illustrated part

2005 KJ

**Sensor (Body)**  
**Figure 8-640**



ITEM	PART NUMBER	QTY	LINE	SERIES	BODY	ENGINE	TRANS	TRIM	DESCRIPTION
------	-------------	-----	------	--------	------	--------	-------	------	-------------

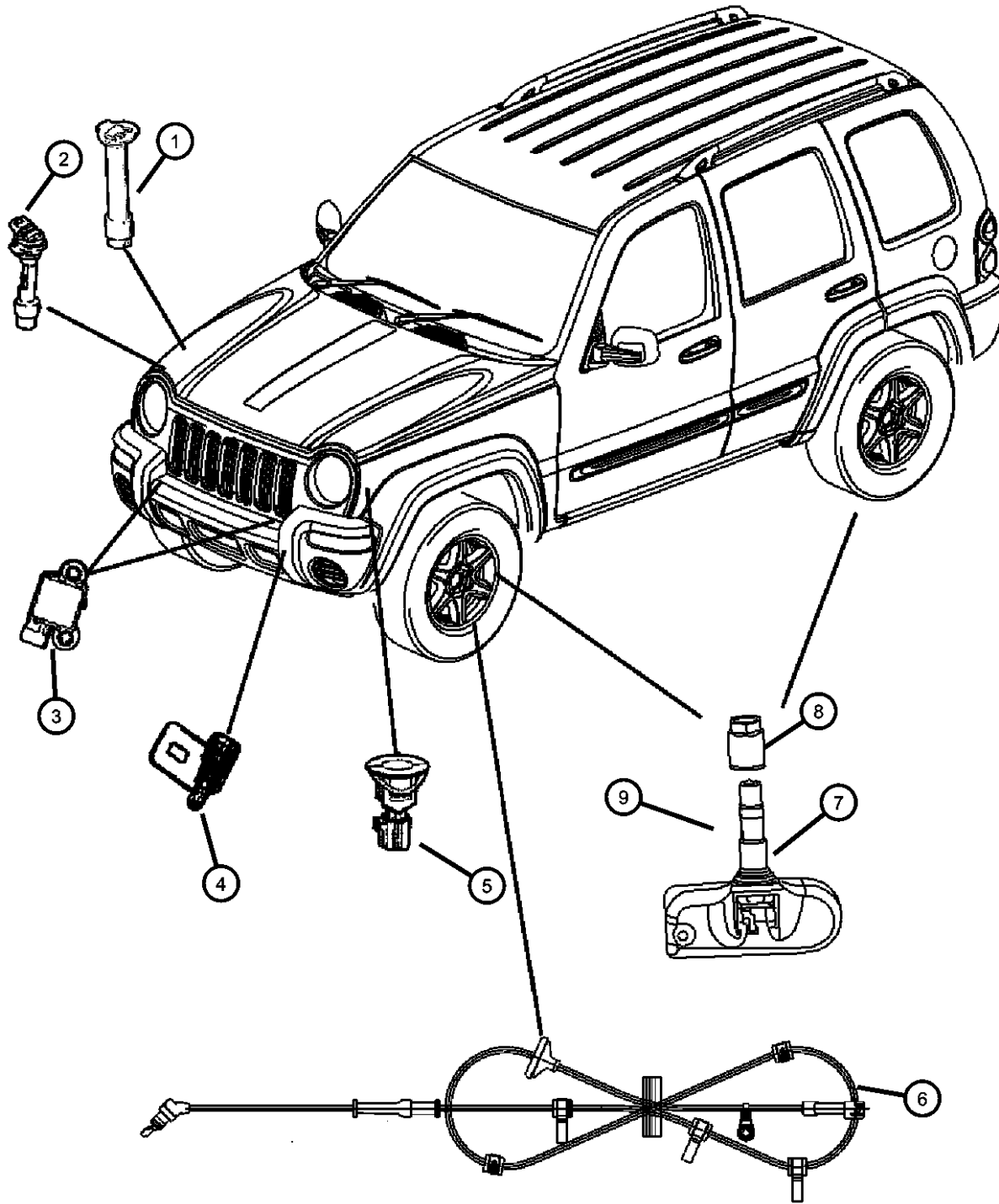
Notes:  
 [ED0] = 2.4L 4 Cylinder Engine  
 [EK0] = 3.7L V6 Engine  
 [EN0] = 2.5L 4 Cylinder Turbo Diesel

1	05161400AA	1							SENSOR, Washer Fluid Level
2	05161400AA	1							SENSOR, Coolant Level, Serviced in pressurized coolant bottle only, (NOT SERVICED)
3	05084000AA	2							SENSOR, Air Bag
4									SENSOR, Ambient Temperature
	56042395	1			H, P				
		1	J		M				
		1	U		M				
5		1							SENSOR, Battery Temperature, (NOT SERVICED)
6									SENSOR, Anti-Lock Brakes
	52128694AC	1							Right
	52128695AC	1							Left
7	56053030AB	1	J, T, U				74		SENSOR, Tire Pressure, Valve stem
8	68001696AA	1	J, T, U				74		SENSOR PACKAGE, Tire Pressure, This package contains: 56053030AC SENSOR - TIRE PRESSURE 56053033AA NUT - TIRE PRESSURE K6855511 INSTRUCTION SHEET HARDWARE KIT, Mounting
9									

<b>LIBERTY (KJ)</b>				
SERIES	LINE	BODY	ENGINE	TRANSMISSION
P = LIMITED	J = JEEP - 4WD	74 = SPORT UTILITY 4-DR	ED1 = Engine - 2.4L 4 Cyl DOHC 16v SMPI	DGQ = Transmission-5-Spd Automatic 5-45RFE
H = SPORT	U = JEEP - 4WD (RHD)		EKG = Engine - 3.7L V6	DG6 = Transmission-4-Spd. Automatic, 42RLE
M = RENEGADE	T = JEEP - 2WD		ENR = Engine - 2.8L 4 Cyl Turbo Diesel	DEH = Transmission-6-Speed Manual, NSG370
			ENO = 4CYL turbo diesel	DG0 = Transmissions - All Automatic
				DBB = ALL MANUAL TRANSMISSIONS

AR = use ase required - = Non illustrated part

Sensor (Body)  
Figure 8-640



ITEM	PART NUMBER	QTY	LINE	SERIES	BODY	ENGINE	TRANS	TRIM	DESCRIPTION
	68001743AA	1	J, T, U		74				THIS KIT CONTAINS:1- S120120001, NUT, TPM RETAINING 1- S122990001, WASHER, SEAL SUPPORT 1- S122140001, CAP, VALVE STEM, BLACK, EUROPE 1- S120121001, CAP, VALVE STEM
	68001744AA	1	J, T, U		74				THIS KIT CONTAINS:1- S122914001, VALVE CORE, TPM 1- S120121001, CAP, VALVE STEM, GREY, DOMESTIC 1- S122140001, CAP, VALVE STEM, BLACK, EUROPE

LIBERTY (KJ)

SERIES LINE  
P = LIMITED J = JEEP - 4WD  
H = SPORT U = JEEP - 4WD (RHD)  
M = RENEGADE T = JEEP - 2WD

BODY  
74 = SPORT UTILITY 4-DR

ENGINE  
ED1 = Engine - 2.4L 4 Cyl DOHC 16v SMPI  
EKG = Engine - 3.7L V6  
ENR = Engine - 2.8L 4 Cyl Turbo Diesel  
ENO = 4CYL turbo diesel

TRANSMISSION  
DGQ = Transmission-5-Spd Automatic 5-45RFE  
DG6 = Transmission-4-Spd. Automatic, 42RLE  
DEH = Transmission-6-Speed Manual, NSG370  
DG0 = Transmissions - All Automatic  
DBB = ALL MANUAL TRANSMISSIONS

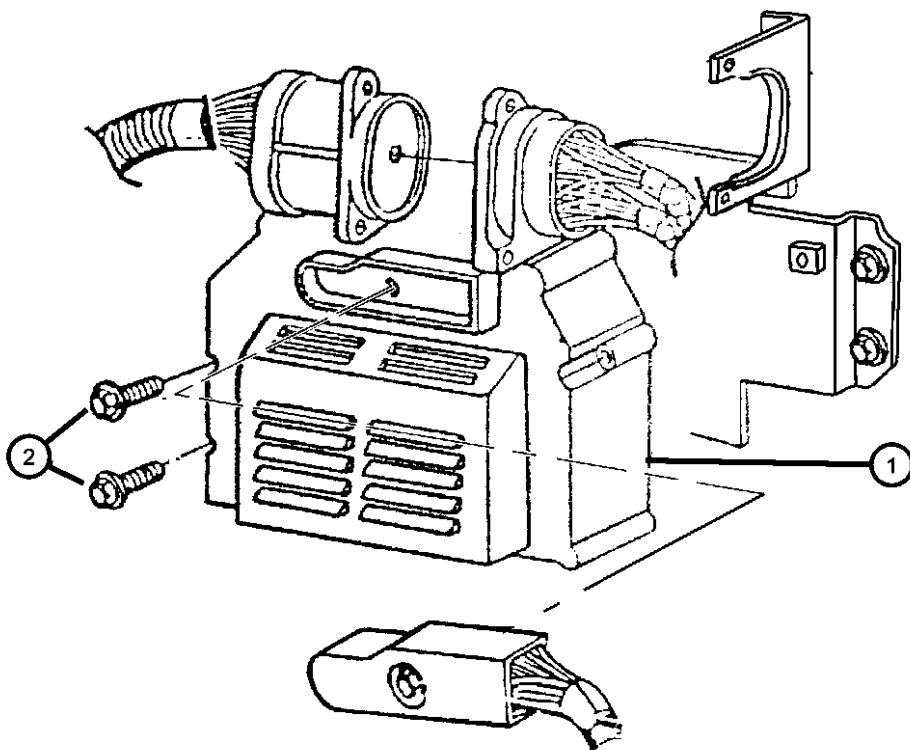
AR = use ase required - = Non illustrated part

2005 KJ



**Powertrain Control Modules  
Figure 8-705**

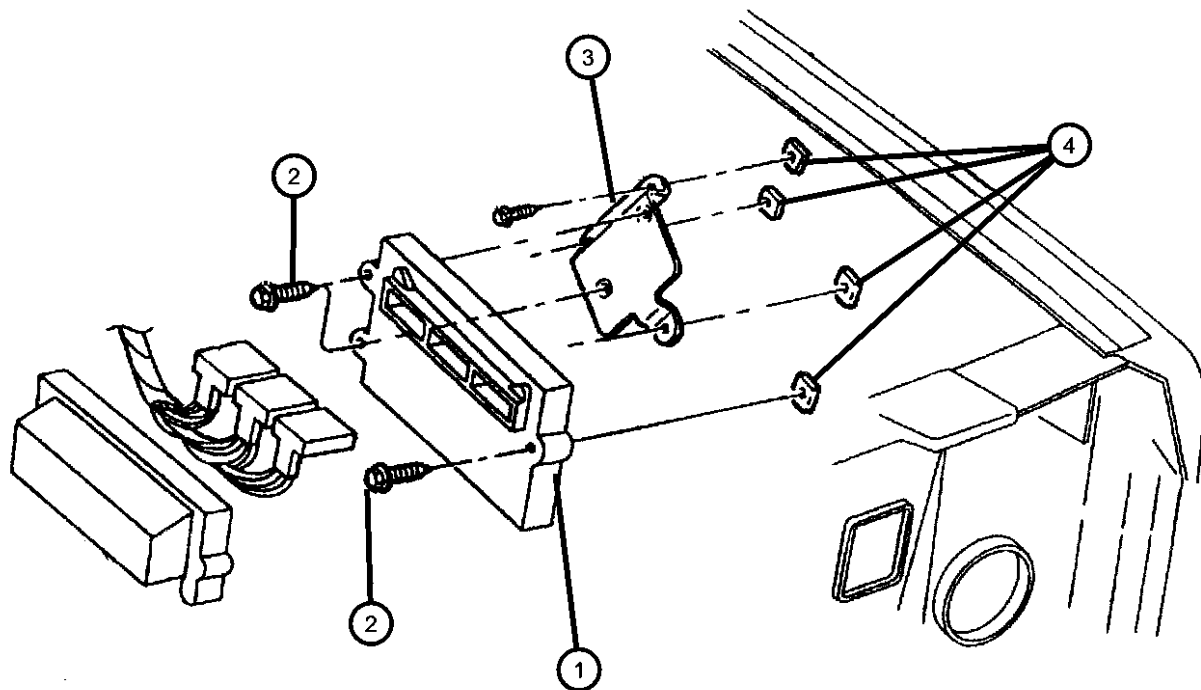
ITEM	PART NUMBER	QTY	LINE	SERIES	BODY	ENGINE	TRANS	TRIM	DESCRIPTION
------	-------------	-----	------	--------	------	--------	-------	------	-------------



Notes:

- [ED0] = 2.4L 4 Cylinder Engine
- [EK0] = 3.7L V6 Engine
- [EN0] = All 2.5L Cylinder Turbo Diesel Engine
- [DBB] = All Manual Transmissions
- [DG0] = All Automatic Transmissions
- [NA1] = Export Emissions
- [NAS] = US 50 States
- [NB2] = Euro Stage II Emissions
- [NB4] = Euro Stage IV Emissions
- [NBj] = Japan Low Emissions Vehicle

1									MODULE, Powertrain Control
	56044558AD	1				EN0	DEH		Export
	56044561AD	1				EN0	DGQ		Export
	56044562AD	1				EN0	DGQ		
	56044562BA	1				EN0	DGQ		[NAA,NB1]
	56044576AE	1				EK0	DG0		[NAS]
	56044654AC	1				EK0	DBB		[NAS]
	56044656AD	1				EK0	DG0		[NA1,NB4]
	56044657AC	1				EK0	DBB		[NA1,NB4]
	56044658AE	1				EK0	DG0		[NA1,NBJ]
	56044661AC	1				ED0	DBB		[NAS]
	56044663AC	1				ED0	DBB		[NA1,NB4]
2	06035884	3				ED0, EK0			SCREW
3									BRACKET, Control Unit
	56041384AD	1				EN0			
	56044353AA	1				ED0, EK0			
4	56044353AA	1							NUT, Hex Flange Lock, M5, M5x0.80, (NOT SERVICED)



**LIBERTY (KJ)**

SERIES	LINE
P = LIMITED	J = JEEP - 4WD
H = SPORT	U = JEEP - 4WD (RHD)
M = RENEGADE	T = JEEP - 2WD

BODY
74 = SPORT UTILITY 4-DR

ENGINE
ED1 = Engine - 2.4L 4 Cyl DOHC 16v SMPI
EKG = Engine - 3.7L V6
ENR = Engine - 2.8L 4 Cyl Turbo Diesel
ENO = 4CYL turbo diesel

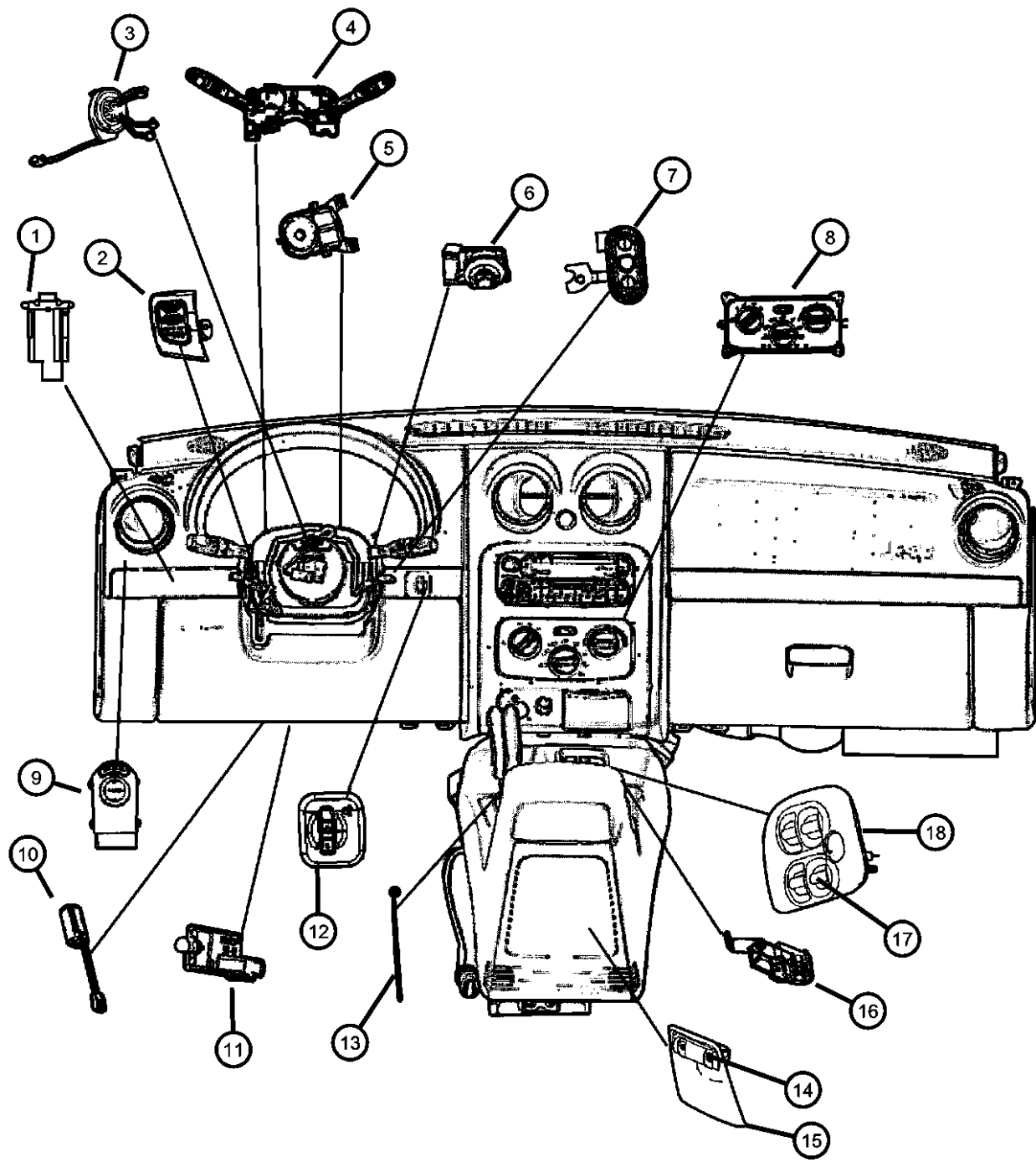
TRANSMISSION
DGQ = Transmission-5-Spd Automatic 5-45RFE
DG6 = Transmission-4-Spd. Automatic, 42RLE
DEH = Transmission-6-Speed Manual, NSG370
DG0 = Transmissions - All Automatic
DBB = ALL MANUAL TRANSMISSIONS

AR = use ase required - = Non illustrated part

2005 KJ

Switches (Instrument Panel and Console)

Figure 8-810



ITEM	PART NUMBER	QTY	LINE	SERIES	BODY	ENGINE	TRANS	TRIM	DESCRIPTION
1	56010417AC	1							SWITCH, Off Road Lamp
2									SWITCH, Speed Control
	1AZ501DHAA	1		M					[D5], Right
		1		M					[DB], Right
	1AZ501J8AA	1		M					[J1], Right
		1		M					[J3], Right
	1AZ50DX9AA	1		H					Right
	1AZ511DHAA	1		M					[D5], Left
		1		M					[DB], Left
	1AZ511J8AA	1		M					[J1], Left
		1		M					[J3], Left
	1AZ51DX9AA	1		H					Left
	56010686AA	1		P					Right
	56010687AA	1		P					Left
3	56010688AA	1							CLOCKSPRING
4									SWITCH, Multifunction
	56010125AF	1							Without Foglamp
	56010126AF	1							With Foglamp
	56010132AF	1							Without Foglamp (Export)
	56010133AF	1							With Foglamp (Export)
5	56010158AC	1							SWITCH, Hazard Warning, and Flasher
6									SWITCH, Ignition
	04793576AB	1					DBB		
		1					DG0		
7									SWITCH, Remote Radio
	56042312AB	1		H					Right

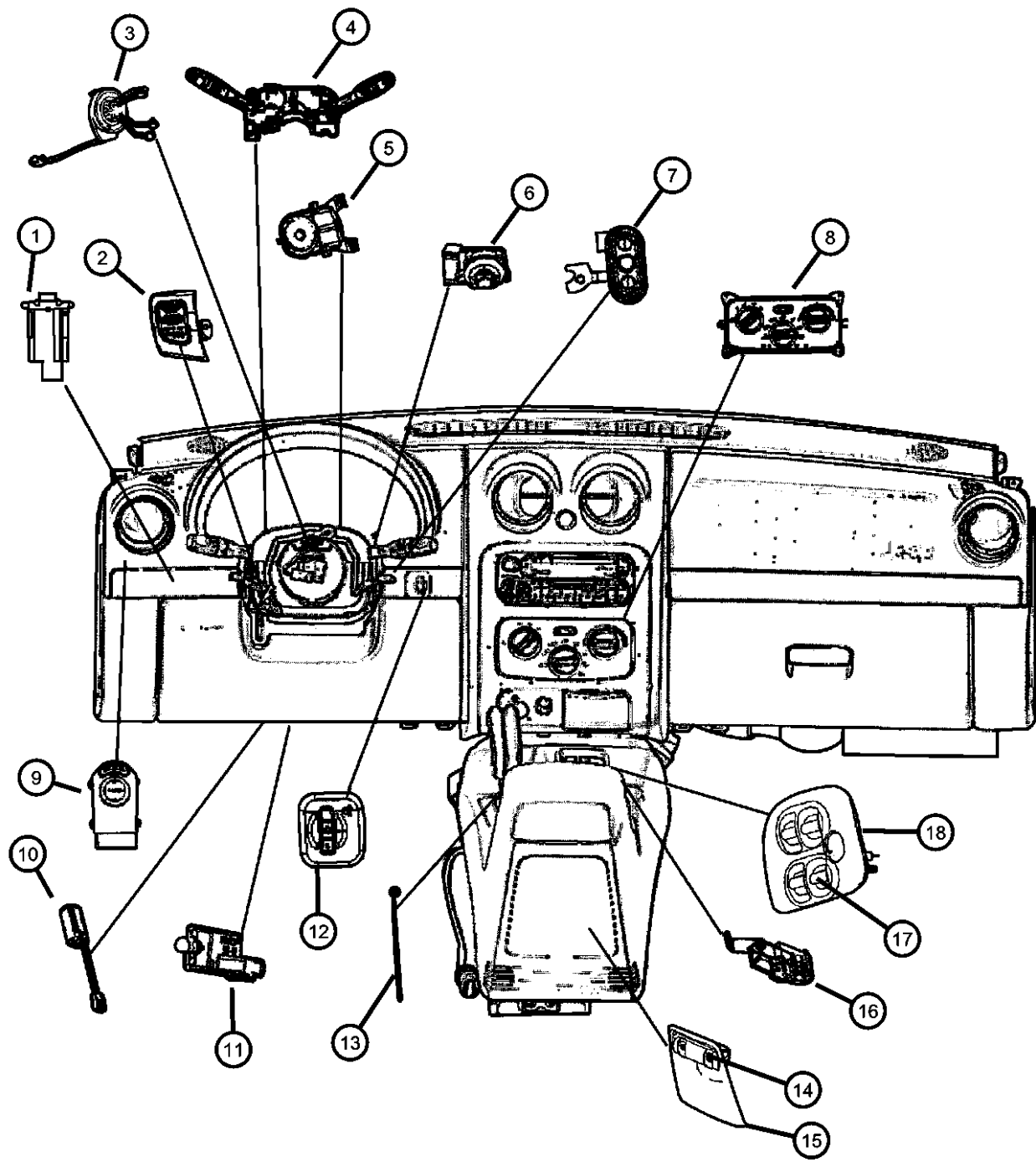
Notes:  
 [ED0] = 2.4L 4 Cylinder Engine  
 [EK0]=3.7L V6 Engine  
 [EKG] = 3.7L V6 'Magnum' Engine  
 [EN0]=4/5 Cylinder Turbo Diesel Engine  
 [DBB]=All Manual Transmissions  
 [DG0]=All Automatic Transmissions

**LIBERTY (KJ)**  
 SERIES LINE BODY ENGINE TRANSMISSION  
 P = LIMITED J = JEEP - 4WD 74 = SPORT UTILITY 4-DR ED1 = Engine - 2.4L 4 Cyl DOHC 16v SMPI DGQ = Transmission-5-Spd Automatic 5-45RFE  
 H = SPORT U = JEEP - 4WD (RHD) ENR = Engine - 2.8L 4 Cyl Turbo Diesel DEH = Transmission-6-Speed Manual, NSG370  
 M = RENEGADE T = JEEP - 2WD ENO = 4CYL turbo diesel DG0 = Transmissions - All Automatic DBB = ALL MANUAL TRANSMISSIONS

AR = use ase required - = Non illustrated part

Switches (Instrument Panel and Console)

Figure 8-810



ITEM	PART NUMBER	QTY	LINE	SERIES	BODY	ENGINE	TRANS	TRIM	DESCRIPTION
		1		M					Right
		1		P					Right
	56042313AB	1		H					Left
		1		M					Left
		1		P					Left
8	55037533AE	1							CONTROL, A/C And Heater
9									SWITCH, Mirror
	56010696AA	1	J, T						Export
	56010697AA	1	U						SWITCH, Clutch Starter Interlock
10									
	56010692AA	1	U				DBB		
		1	J, T			ED0, EN0	DBB		
11	05083344AA	1							SWITCH PACKAGE, Stop Lamp
12	56010204AE	1							SWITCH, Headlamp Leveling
13	56010204AE	1							SWITCH, Overdrive Lockout, Served in Shifter Assembly, (NOT SERVICED)
14	56010091AB	1							SWITCH, Power Window, Rear
15									BEZEL, Power Window Switch
	0WA64XD-HAB	1							[D5]
		1							[DB]
	0WA64ZJ8AB	1							[J1]
		1							[J3]
16	05209922	1					DEH		SWITCH, Parking Brake
17									SWITCH, Power Window
	56054002AA	1		H			DG0		Master window switch
		1					DBB		Master window switch
		1		P			DG0		Master window switch
		1		M			DG0		Master window switch
18									BEZEL, Gear Selector
	5KC57DX9AA	1		H			DG0		Also bezel for master window switch

LIBERTY (KJ)

SERIES LINE  
 P = LIMITED J = JEEP - 4WD  
 H = SPORT U = JEEP - 4WD (RHD)  
 M = RENEGADE T = JEEP - 2WD

BODY  
 74 = SPORT UTILITY 4-DR

ENGINE  
 ED1 = Engine - 2.4L 4 Cyl  
 DOHC 16v SMPI  
 EKG = Engine - 3.7L V6  
 ENR = Engine - 2.8L 4 Cyl  
 Turbo Diesel  
 ENO = 4CYL turbo diesel

TRANSMISSION  
 DGQ = Transmission-5-Spd Automatic  
 5-45RFE  
 DG6 = Transmission-4-Spd.  
 Automatic, 42RLE  
 DEH = Transmission-6-Speed Manual,  
 NSG370  
 DG0 = Transmissions - All Automatic  
 DBB = ALL MANUAL  
 TRANSMISSIONS

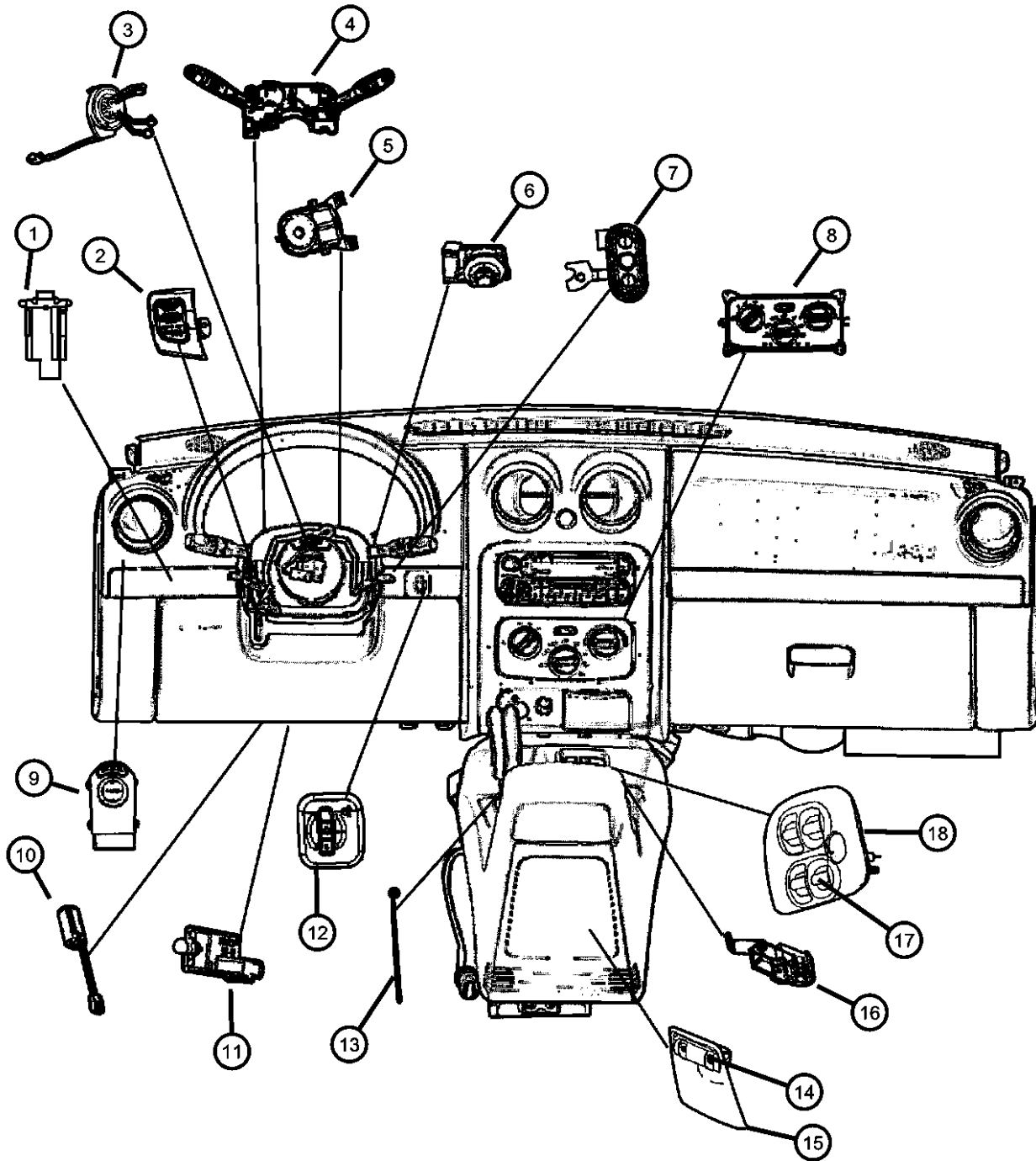
AR = use ase required - = Non illustrated part

2005 KJ

Switches (Instrument Panel and Console)  
Figure 8-810

ITEM	PART NUMBER	QTY	LINE	SERIES	BODY	ENGINE	TRANS	TRIM	DESCRIPTION
------	-------------	-----	------	--------	------	--------	-------	------	-------------

	5KC58AAAAA	1		M			DG0		Also bezel for master window switch
	5KC59XZAAA	1		P			DG0		Also bezel for master window switch
	5KC69DX9AA	1					DBB		Also bezel for master window switch



**LIBERTY (KJ)**

SERIES LINE  
P = LIMITED J = JEEP - 4WD  
H = SPORT U = JEEP - 4WD (RHD)  
M = RENEGADE T = JEEP - 2WD

BODY  
74 = SPORT UTILITY 4-DR

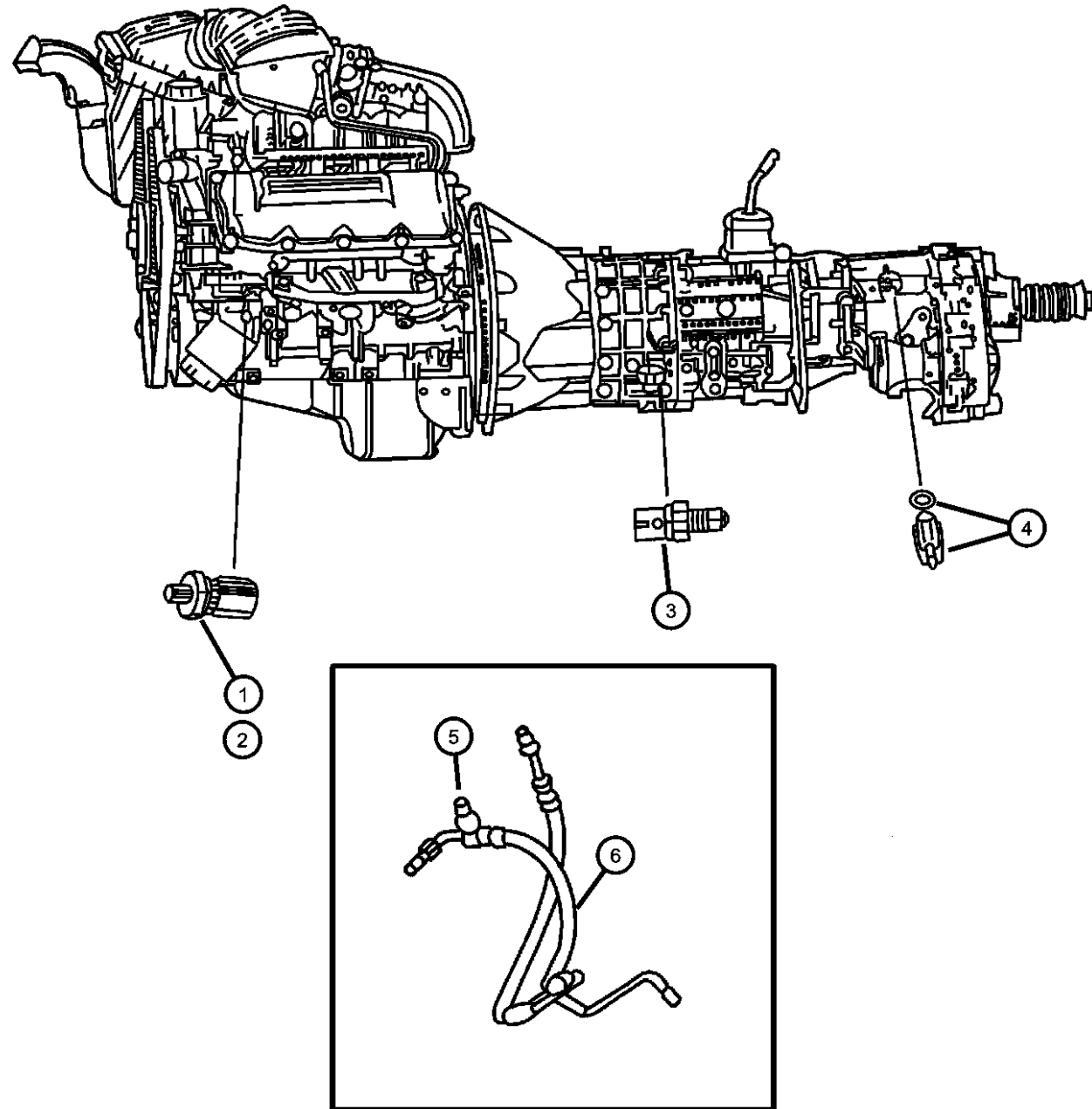
ENGINE  
ED1 = Engine - 2.4L 4 Cyl  
DOHC 16v SMPI  
EKG = Engine - 3.7L V6  
ENR = Engine - 2.8L 4 Cyl  
Turbo Diesel  
ENO = 4CYL turbo diesel

TRANSMISSION  
DGQ = Transmission-5-Spd Automatic  
5-45RFE  
DG6 = Transmission-4-Spd.  
Automatic, 42RLE  
DEH = Transmission-6-Speed Manual,  
NSG370  
DG0 = Transmissions - All Automatic  
DBB = ALL MANUAL  
TRANSMISSIONS

AR = use ase required - = Non illustrated part

2005 KJ

Switches (Drive Train)  
Figure 8-820



ITEM	PART NUMBER	QTY	LINE	SERIES	BODY	ENGINE	TRANS	TRIM	DESCRIPTION
1	56028807AB	1				EN0	DG0		SENDING UNIT, Oil Pressure
2	04608303AB	1				ED0			SWITCH, Oil Pressure
	04868672AA	1				EK0			
3	05099770AA	1	T			EK0	DEH		SWITCH, Back Up Lamp
		1	T			ED0	DEH		
		1	J, U			ED0	DEH		
4	05083138AA	1	J, U						SWITCH, Transfer Case, 5 Position
5	56044169AA	1	J, T			ED0			SWITCH, Power Steering
6	56044169AA	1							HOSE, Power Steering, See Group 19, (NOT SERVICED)

Notes:  
 [ED0] = 2.4L 4 Cylinder Engine  
 [EK0] = 3.7L V6 Cylinder Engine  
 [EK0] = 3.7L V6 'Magnum' Engine  
 [EN0] = 2.5L Diesel  
 [DBB] = All Manual Transmissions  
 [DDD] = 5 Speed Manual Transmissions  
 [DDK] = 5 Speed Manual Transmissions  
 [DG0] = All Automatic Transmissions

LIBERTY (KJ)

SERIES      LINE  
 P = LIMITED      J = JEEP - 4WD  
 H = SPORT      U = JEEP - 4WD (RHD)  
 M = RENEGADE      T = JEEP - 2WD

BODY  
 74 = SPORT UTILITY 4-DR

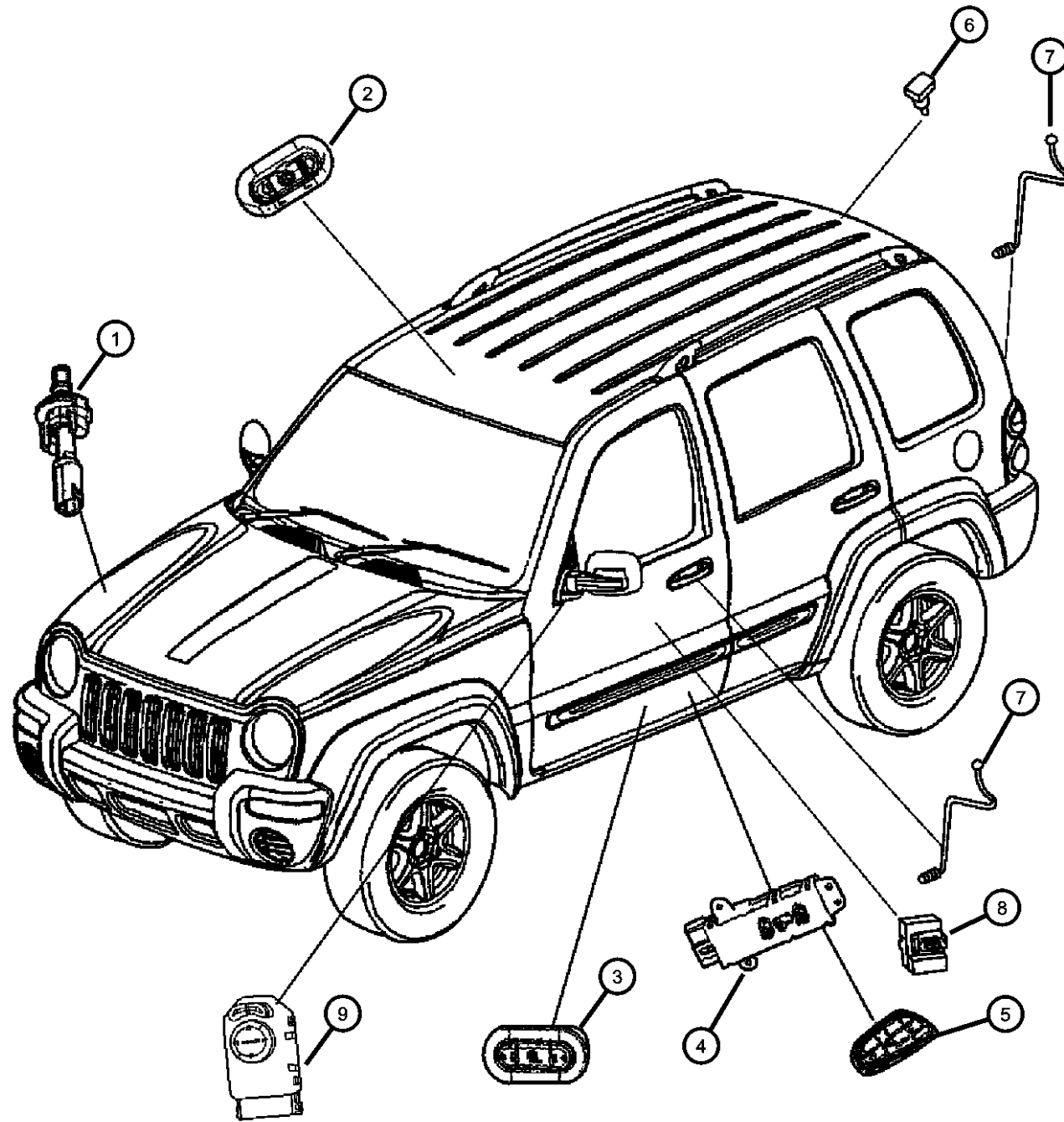
ENGINE  
 ED1 = Engine - 2.4L 4 Cyl  
 DOHC 16v SMPI  
 EK0 = Engine - 3.7L V6  
 ENR = Engine - 2.8L 4 Cyl  
 Turbo Diesel  
 ENO = 4CYL turbo diesel

TRANSMISSION  
 DGQ = Transmission-5-Spd Automatic  
 5-45RFE  
 DG6 = Transmission-4-Spd.  
 Automatic, 42RLE  
 DEH = Transmission-6-Speed Manual,  
 NSG370  
 DG0 = Transmissions - All Automatic  
 DBB = ALL MANUAL  
 TRANSMISSIONS

AR = use ase required - = Non illustrated part

2005 KJ

Switches (Body)  
Figure 8-830



ITEM	PART NUMBER	QTY	LINE	SERIES	BODY	ENGINE	TRANS	TRIM	DESCRIPTION
1	04707875AB	1							SWITCH, Underhood
2	04602688AA	1	J, T						SWITCH, Sunroof
	1BN48BD1AA	1	J, U						[CUD]
3	5GW44DX9AB	2	J, T						SWITCH, Heated Seat
		2	J, U						
4	55352782AA	2	J, U						SWITCH, Seat
		2	J, T						
5	04607042AB	1	J, U						KNOB, Power Seat Switch
		1	J, T						Right
	04607043AB	1	J, U						Right
		1	J, U						Left
		1	J, T						Left
6		1							SWITCH, Reading Lamp, Serviced in reading lamps assembly only, (NOT SERVICED)
7	05072956AA	1	J, T						SWITCH, Security Alarm
8	56010695AA	2							SWITCH, Door Lock
9	56010696AA	1	J, T						SWITCH, Mirror
	56010697AA	1	U						

LIBERTY (KJ)

SERIES LINE  
P = LIMITED J = JEEP - 4WD  
H = SPORT U = JEEP - 4WD (RHD)  
M = RENEGADE T = JEEP - 2WD

BODY  
74 = SPORT UTILITY 4-DR

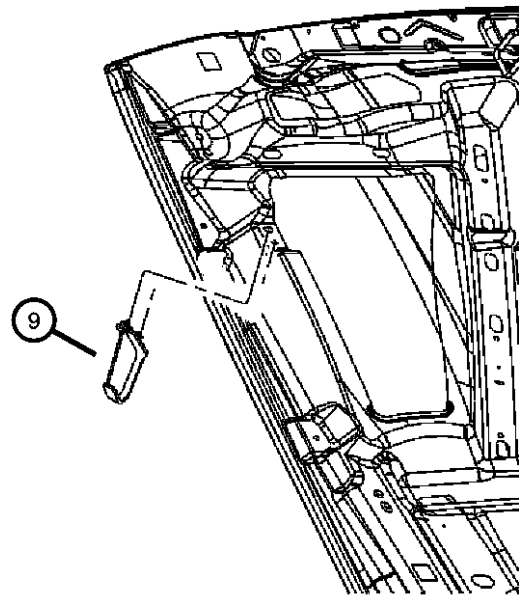
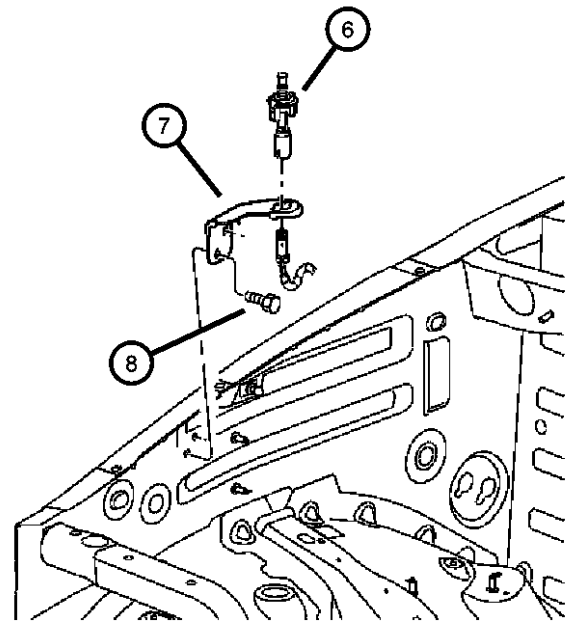
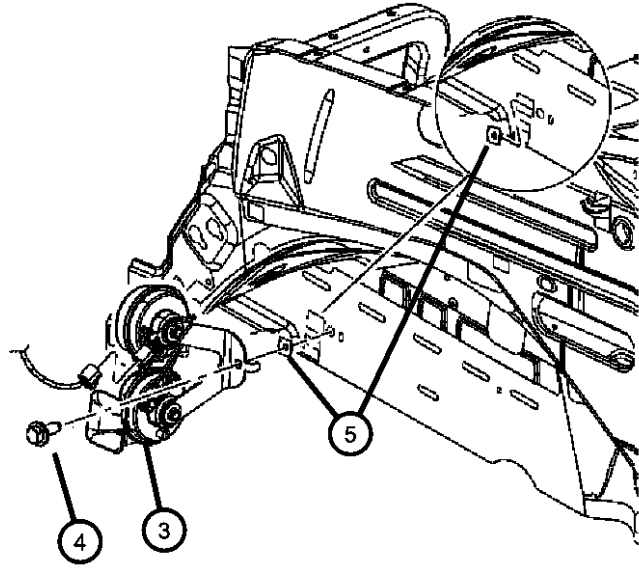
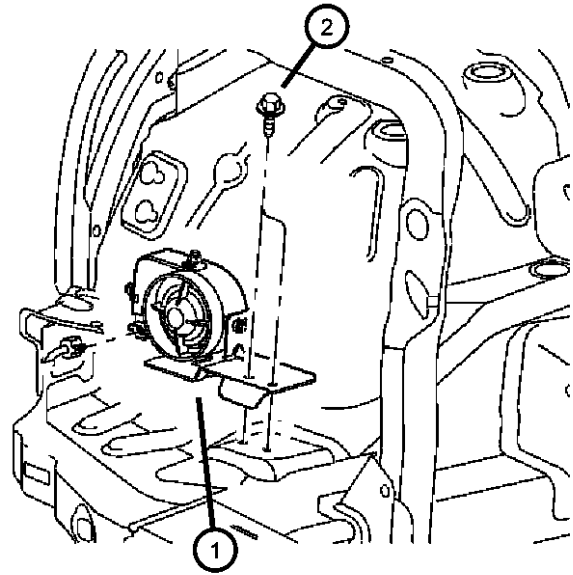
ENGINE  
ED1 = Engine - 2.4L 4 Cyl DOHC 16v SMPI  
EKG = Engine - 3.7L V6  
ENR = Engine - 2.8L 4 Cyl Turbo Diesel  
ENO = 4CYL turbo diesel

TRANSMISSION  
DGQ = Transmission-5-Spd Automatic 5-45RFE  
DG6 = Transmission-4-Spd. Automatic, 42RLE  
DEH = Transmission-6-Speed Manual, NSG370  
DG0 = Transmissions - All Automatic  
DBB = ALL MANUAL TRANSMISSIONS

AR = use ase required - = Non illustrated part

2005 KJ

Horns  
Figure 8-905



ITEM	PART NUMBER	QTY	LINE	SERIES	BODY	ENGINE	TRANS	TRIM	DESCRIPTION
1	56010335AD	1							SIREN, Alarm
2	06505638AA	2							SCREW, Siren attaching
3	56050166AB	1							HORN AND BRACKET, Dual
4	06503543	1							BOLT AND CONED WASHER, Hex Head, M8x1.25x25
5	06503543	1							NUT, U Type Multi Thread, M8 x 1.25, (NOT SERVICED)
6	04707875AB	1							SWITCH, Underhood
7	56010290AB	1							BRACKET, Hood Ajar Disarm Switch
8	06505638AA	2							SCREW, Hood switch bracket attaching
9	56010147AE	1							PLATE, Striker

LIBERTY (KJ)

SERIES      LINE  
P = LIMITED      J = JEEP - 4WD  
H = SPORT      U = JEEP - 4WD (RHD)  
M = RENEGADE      T = JEEP - 2WD

BODY  
74 = SPORT UTILITY 4-DR

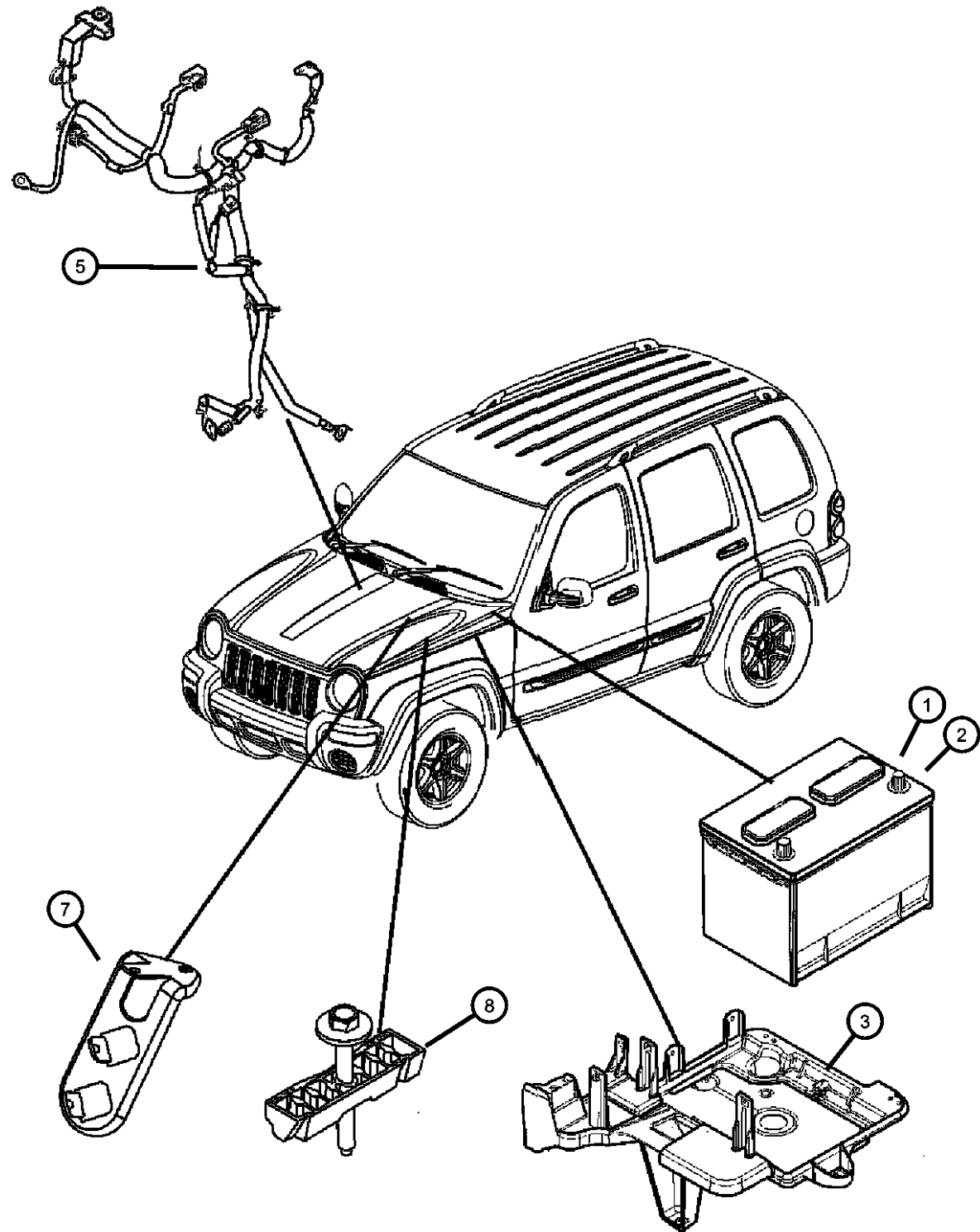
ENGINE  
ED1 = Engine - 2.4L 4 Cyl DOHC 16v SMPI  
EKG = Engine - 3.7L V6  
ENR = Engine - 2.8L 4 Cyl Turbo Diesel  
ENO = 4CYL turbo diesel

TRANSMISSION  
DGQ = Transmission-5-Spd Automatic 5-45RFE  
DG6 = Transmission-4-Spd. Automatic, 42RLE  
DEH = Transmission-6-Speed Manual, NSG370  
DG0 = Transmissions - All Automatic  
DBB = ALL MANUAL TRANSMISSIONS

AR = use ase required - = Non illustrated part

2005 KJ

**Battery Tray & Cables**  
**Figure 8-1005**



ITEM	PART NUMBER	QTY	LINE	SERIES	BODY	ENGINE	TRANS	TRIM	DESCRIPTION
	Notes: [ED0] = 2.4L 4 Cylinder Engine [EK0] = 3.7L V6 Cylinder Engine [EN0] = All 4/5 Cylinder Turbo Diesel Engine								
1	04868999AB	1				EN0			BATTERY, Storage
2	04609365AD	1				ED0, EK0			BATTERY
	BA078770EX								Mopar Power Pro 7
	BA034600EX								Mopar Power Pro 6
	BA034500EX								Mopar Power Pro 5
	JEEP034770								Mopar Jeep Xtreme
	BAUNV34650								Mopar Universal Battery
	BAUNV75450								Mopar Universal Battery
3	55360639AA	1				ED0, EK0			SUPPORT, Battery
	04609365AC								Mopar Power Pro 7
	55360654AA	1				EN0			
-4	06101808	2							NUT, Hex, M6x1, Battery Wiring to PDC
5									WIRING, Alternator and Battery
	56050299AB	1				ED0			
	56050300AE	1				EN0			
	56050304AC	1		H, P		EK0			
	56050306AD	1		M		EK0			
-6	06101445	2				ED0			NUT AND WASHER, Hex Nut-Coned Washer, M8 x 1.25, Battery wiring bracket attaching BRACKET, Wiring
7	56044156AA	1				ED0			BRACKET, Battery Hold Down
8	55136959AC	1							
-9	06503102	3							NUT AND WASHER, Hex Nut-Coned Washer, M6 x 1.00, Battery tray to wheel house
-10	56050594AA	1				EN0			BRACKET, Battery Wiring

**LIBERTY (KJ)**

SERIES      LINE  
P = LIMITED      J = JEEP - 4WD  
H = SPORT      U = JEEP - 4WD (RHD)  
M = RENEGADE      T = JEEP - 2WD

BODY  
74 = SPORT UTILITY 4-DR

ENGINE  
ED1 = Engine - 2.4L 4 Cyl DOHC 16v SMPI  
EK0 = Engine - 3.7L V6  
ENR = Engine - 2.8L 4 Cyl Turbo Diesel  
ENO = 4CYL turbo diesel

TRANSMISSION  
DGQ = Transmission-5-Spd Automatic 5-45RFE  
DG6 = Transmission-4-Spd. Automatic, 42RLE  
DEH = Transmission-6-Speed Manual, NSG370  
DG0 = Transmissions - All Automatic  
DBB = ALL MANUAL TRANSMISSIONS

AR = use ase required - = Non illustrated part

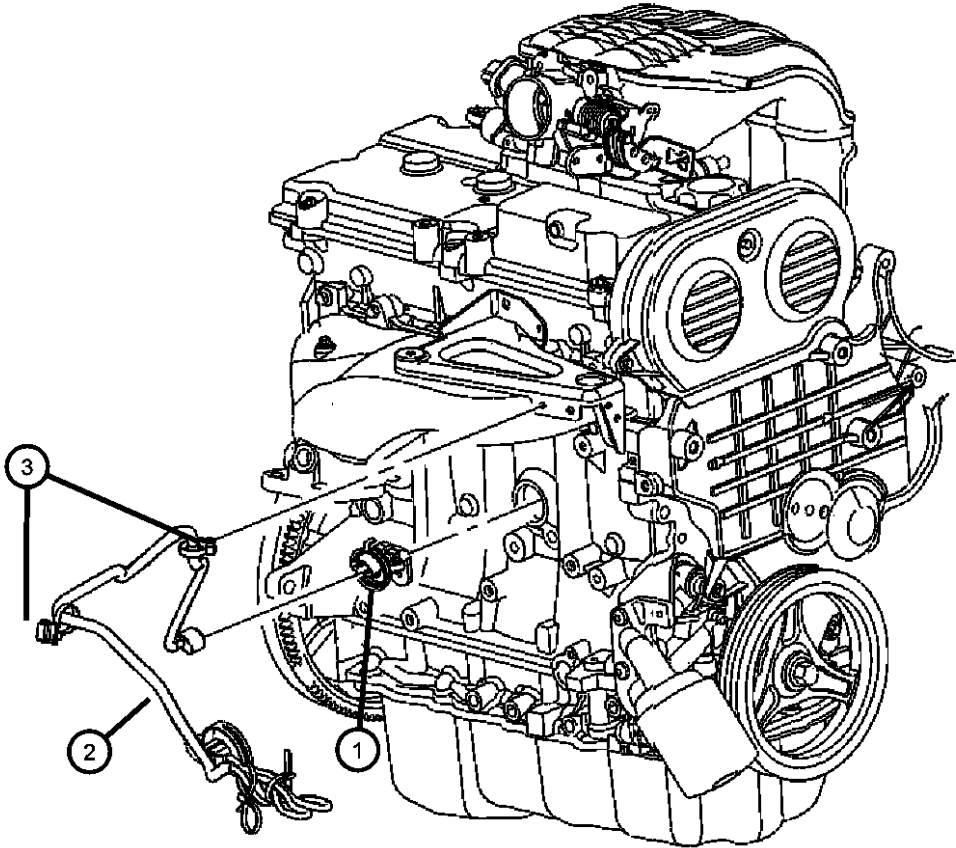
2005 KJ



Engine Block Heaters

Figure 8-1010

ITEM	PART NUMBER	QTY	LINE	SERIES	BODY	ENGINE	TRANS	TRIM	DESCRIPTION
1	04557686AB	1				ED0			HEATER, Engine
	56041304AB	1				EK0			
2	56044738AA	1				EN0	DG0		HEATER, Engine Block
3									CORD, Engine Block Heater
	56041974AA	1				EK0			
	56044160AA	1				ED0			
	56044765AA	1				EN0	DG0		
4	06015756	1				ED0			STRAP, Tie
-5	06503096	1				ED0			O RING, Engine Block Heater



LIBERTY (KJ)

SERIES      LINE  
 P = LIMITED      J = JEEP - 4WD  
 H = SPORT      U = JEEP - 4WD (RHD)  
 M = RENEGADE      T = JEEP - 2WD

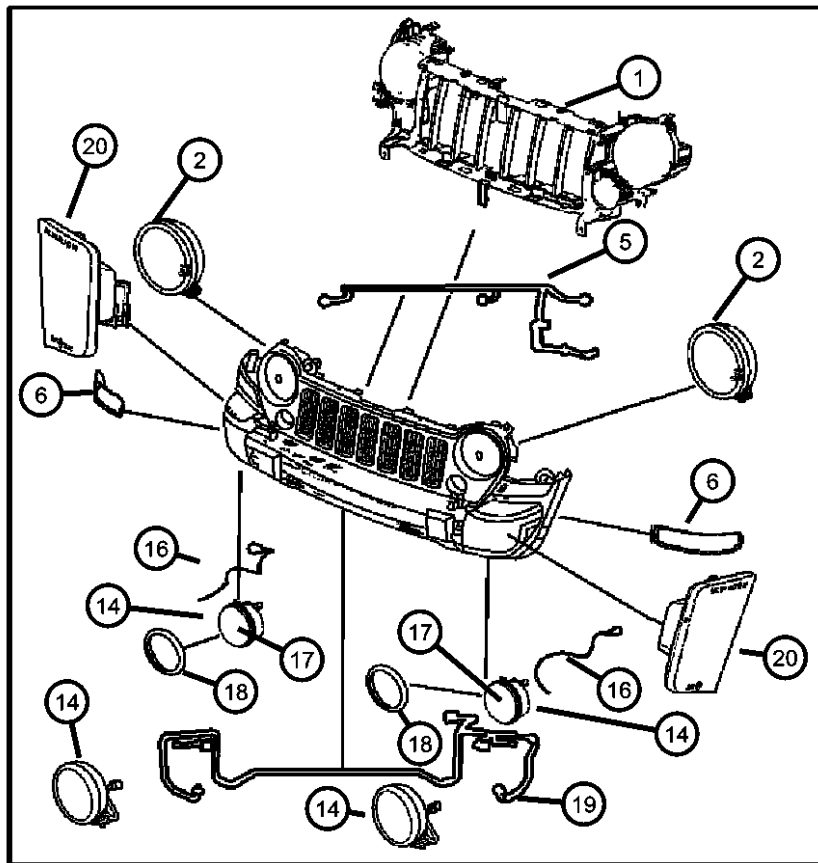
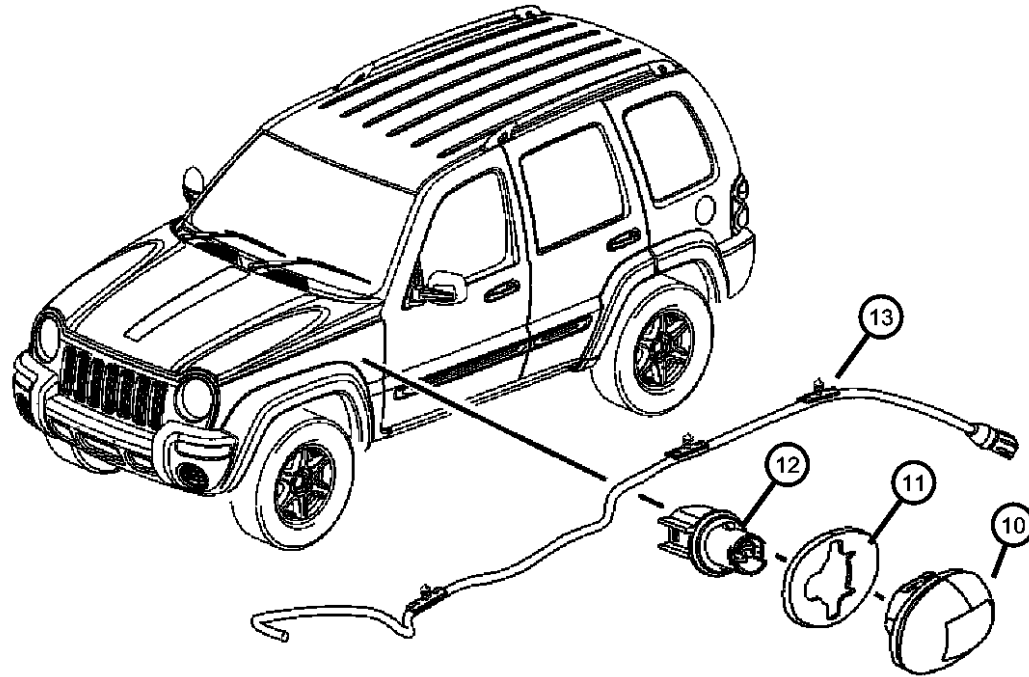
BODY  
 74 = SPORT UTILITY 4-DR

ENGINE  
 ED1 = Engine - 2.4L 4 Cyl  
 DOHC 16v SMPI  
 EKG = Engine - 3.7L V6  
 ENR = Engine - 2.8L 4 Cyl  
 Turbo Diesel  
 ENO = 4CYL turbo diesel

TRANSMISSION  
 DGQ = Transmission-5-Spd Automatic  
 5-45RFE  
 DG6 = Transmission-4-Spd.  
 Automatic, 42RLE  
 DEH = Transmission-6-Speed Manual,  
 NSG370  
 DG0 = Transmissions - All Automatic  
 DBB = ALL MANUAL  
 TRANSMISSIONS

AR = use ase required - = Non illustrated part

Lamp, Front  
Figure 8-1105



ITEM	PART NUMBER	QTY	LINE	SERIES	BODY	ENGINE	TRANS	TRIM	DESCRIPTION
For bulbs see illustration 1125									
1	55156755AD	1	J, T	H, P					REINFORCEMENT, Grille Opening
		1	U	H, P		EN0			
		1	U	H, P		ED0, EK0			
	55156968AD	1	J, T	M					
		1	U	M					
2	55155812AD	1	J, T	H, P		ED0, EK0			HEADLAMP
		1	J, T	H, P		EN0			Right, Export
		1	J	M					Right, Export
	55155813AD	1	J, T	H, P		ED0, EK0			Left, Export
		1	J, T	H, P		EN0			Left, Export
		1	J	M					Left, Export
	55155814AD	1	U	H, P		ED0, EK0			Right, Export
		1	U	H, P		EN0			Right, Export
		1	U	M					Right, Export
	55155815AD	1	U	H, P		EN0			Left, Export
		1	U	M					Left, Export
	55155816AD	1	J, T	H, P		ED0, EK0			[JKL], Right, Export
		1	U	H, P		ED0, EK0			Left, Export
	55155817AD	1	J, T	H, P		EN0			[JKL], Left, Export
		1	J	M					[JKL], Left, Export
		1	J, T	H, P		EN0			[JKL], Right, Export
		1	J	M					[JKL], Right, Export
		1	J, T	H, P		ED0, EK0			[JKL], Left, Export
	55155818AD	1	U	H, P		ED0, EK0			[JKL], Right
		1	U	H, P		EN0			[JKL], Right
		1	U	M					[JKL], Right
	55155819AD	1	U	H, P		ED0, EK0			[JKL], Left
		1	U	H, P		EN0			[JKL], Left
		1	U	M					[JKL], Left

LIBERTY (KJ)

SERIES LINE  
P = LIMITED J = JEEP - 4WD  
H = SPORT U = JEEP - 4WD (RHD)  
M = RENEGADE T = JEEP - 2WD

BODY  
74 = SPORT UTILITY 4-DR

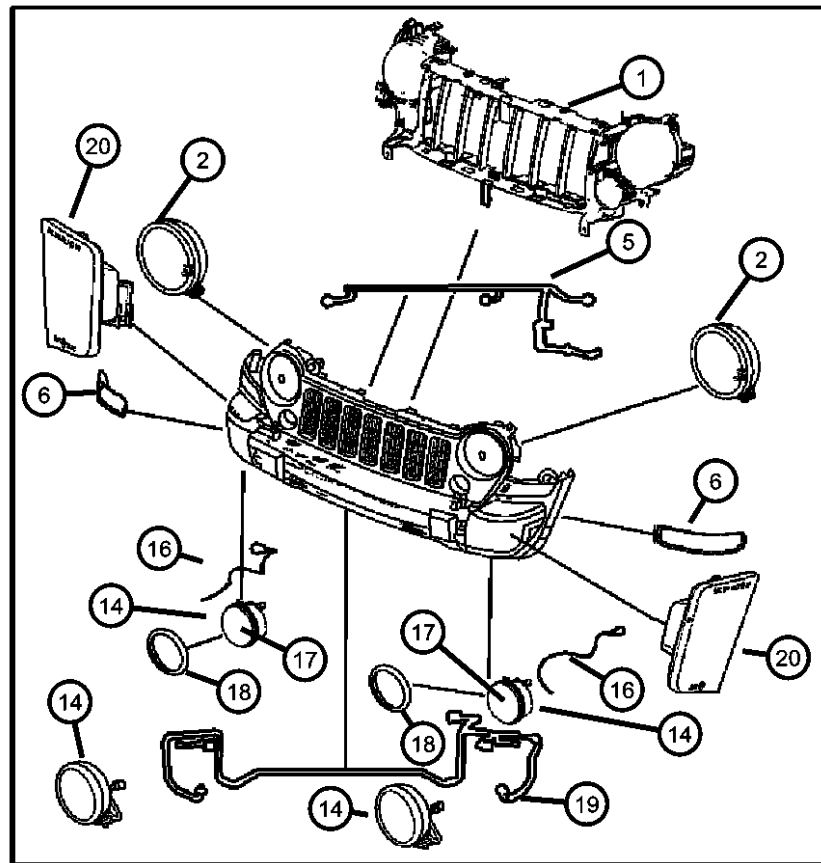
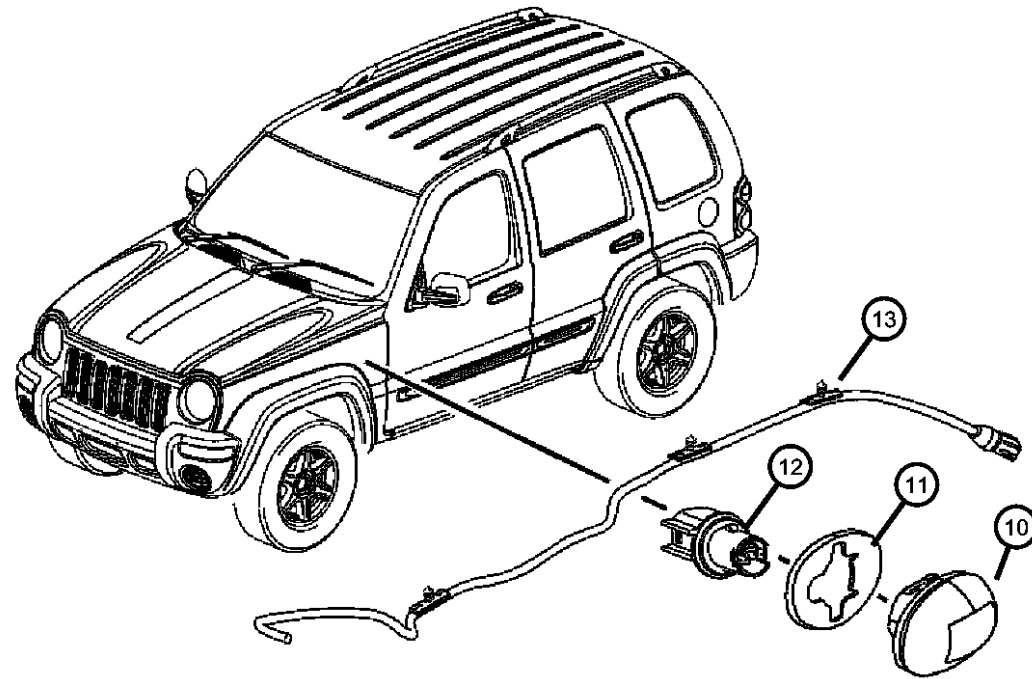
ENGINE  
ED1 = Engine - 2.4L 4 Cyl  
DOHC 16v SMPI  
EKG = Engine - 3.7L V6  
ENR = Engine - 2.8L 4 Cyl  
Turbo Diesel  
ENO = 4CYL turbo diesel

TRANSMISSION  
DGQ = Transmission-5-Spd Automatic  
5-45RFE  
DG6 = Transmission-4-Spd.  
Automatic, 42RLE  
DEH = Transmission-6-Speed Manual,  
NSG370  
DG0 = Transmissions - All Automatic  
DBB = ALL MANUAL  
TRANSMISSIONS

AR = use ase required - = Non illustrated part

2005 KJ

Lamp, Front  
Figure 8-1105



ITEM	PART NUMBER	QTY	LINE	SERIES	BODY	ENGINE	TRANS	TRIM	DESCRIPTION
	55157140AA	1	J, T	H, P					Right
		1	J, T	M					Right
	55157141AA	1	J, T	H, P					Left
		1	J, T	M					Left
-3	06505903AA	4							SCREW AND WASHER, Self Tapping, M6x1x22, Headlamp Mounting
-4									RETAINER, Headlamp Bulb
	05126316AA	1	J, T	H, P					
		1	J, T	M					
5									WIRING, Headlamp
	55156820AB	1	J, T	H, P					
	55156822AB	1	U	H, P		ED0, EK0			Export
	55156823AB	1	J, T	H, P		ED0, EK0			[LNJ], Export
		1	J, T	H, P		EN0			[LNJ], Export
		1	U	H, P		ED0, EK0			[LNJ], Export
		1	U	H, P		EN0			[LNJ], Export
	55156824AB	1	J, T	H, P		ED0, EK0			[JKL], Export
		1	U	H, P		ED0, EK0			[JKL], Export
	55156821AB	1	J, T	H, P					[LNJ]
		1	J, T	H, P		ED0, EK0			Export
	55156825AB	1	J, T	H, P		ED0, EK0			[JKL, LNJ], Export
		1	J, T	H, P		EN0			[JKL, LNJ], Export
	55157108AC	1	J	M					Export
	55157109AC	1	J	M					[JKL], Export
		1	U	M					[JKL], Export
		1	U	H, P		ED0, EK0			[JKL, LNJ], Export
		1	U	H, P		EN0			[JKL, LNJ], Export
	55157107AC	1	J, T	M					
		1	U	M					Export
6									LAMP, Front Combination
	55156766AC	1							Park and turnsignal, Right

LIBERTY (KJ)

SERIES LINE  
P = LIMITED J = JEEP - 4WD  
H = SPORT U = JEEP - 4WD (RHD)  
M = RENEGADE T = JEEP - 2WD

BODY  
74 = SPORT UTILITY 4-DR

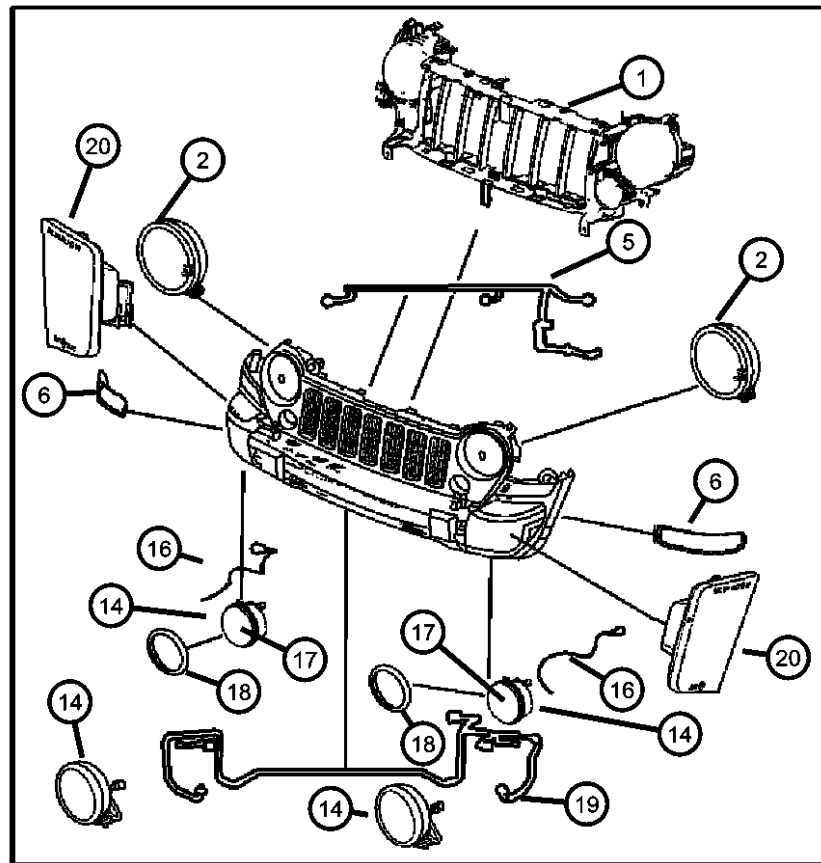
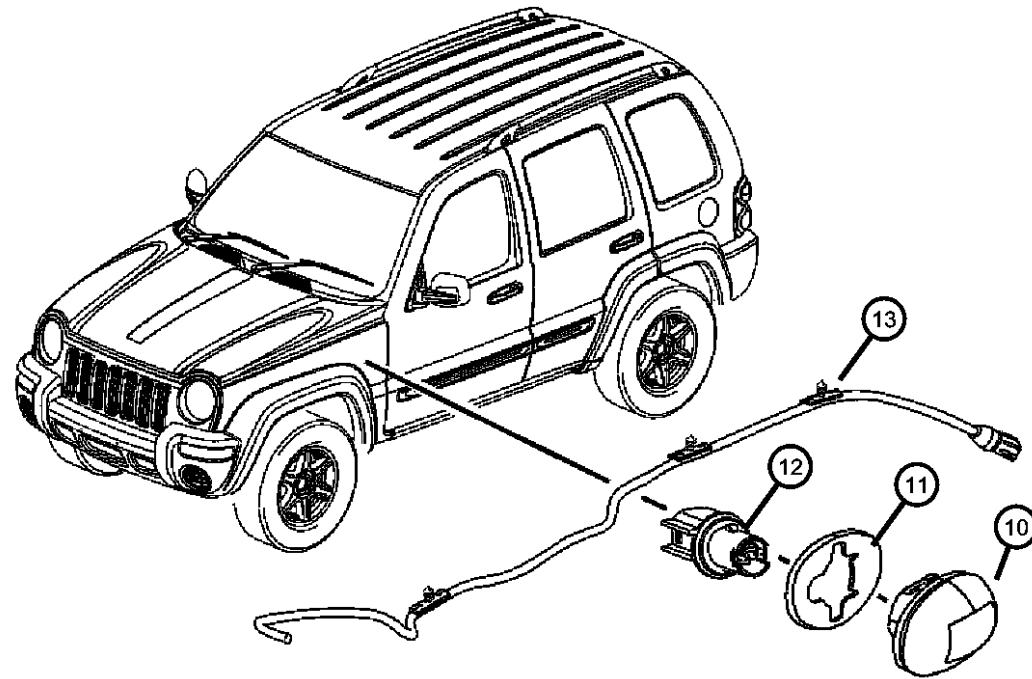
ENGINE  
ED1 = Engine - 2.4L 4 Cyl DOHC 16v SMPI  
EKG = Engine - 3.7L V6  
ENR = Engine - 2.8L 4 Cyl Turbo Diesel  
ENO = 4CYL turbo diesel

TRANSMISSION  
DGQ = Transmission-5-Spd Automatic 5-45RFE  
DG6 = Transmission-4-Spd. Automatic, 42RLE  
DEH = Transmission-6-Speed Manual, NSG370  
DG0 = Transmissions - All Automatic  
DBB = ALL MANUAL TRANSMISSIONS

AR = use ase required - = Non illustrated part

2005 KJ

Lamp, Front  
Figure 8-1105



ITEM	PART NUMBER	QTY	LINE	SERIES	BODY	ENGINE	TRANS	TRIM	DESCRIPTION
	55156767AC	1							Park and turnsignal, Left
-7	06036216AA	2							SCREW, Tapping, .164-18x.625, Combination lamp attaching
-8	06508389AA	2							NUT, Snap In, Combination lamp attaching
-9									SOCKET, Side Marker
	55156754AA	1	U	H, P		ENO			
		1	J, T	H, P		ED0, EK0			
		1	J, T	H, P		ENO			
		1	U	H, P		ED0, EK0			
10	05288895AC	1							LAMP, Side Repeater
11	04676801	1							GASKET, Side Marker Lamp
12	05288931AA	1							SOCKET, Side Repeater Lamp
13	55156010AA	1							WIRING, Side Repeater Lamp
14									LAMP, Fog
	55156866AA	2	J, T	H, P					
	55156923AC	2		M					
-15	05179204AA	2	J, T	H, P					MOUNTING KIT, Light, Includes fog lamp adjuster
16	05143393AA	1		M					WIRING, Fog Lamp
17	05142393AA	2		M					LENS, Fog Lamp
18	05142394AA	2		M					BEZEL, Fog Lamp
19									WIRING, Front End Lighting
	55157102AB	2							[ABE]
	55157111AB	2							LAMP, Side Marker
	55156882AA	1							Right
	55156883AA	1							Left
	55156884AA	1							Export, Right
	55156885AA	1							Export, Left
-21	05303412AB	2							CLIP, Side marker lamp attaching

LIBERTY (KJ)

SERIES LINE  
P = LIMITED J = JEEP - 4WD  
H = SPORT U = JEEP - 4WD (RHD)  
M = RENEGADE T = JEEP - 2WD

BODY  
74 = SPORT UTILITY 4-DR

ENGINE  
ED1 = Engine - 2.4L 4 Cyl DOHC 16v SMPI  
EKG = Engine - 3.7L V6  
ENR = Engine - 2.8L 4 Cyl Turbo Diesel  
ENO = 4CYL turbo diesel

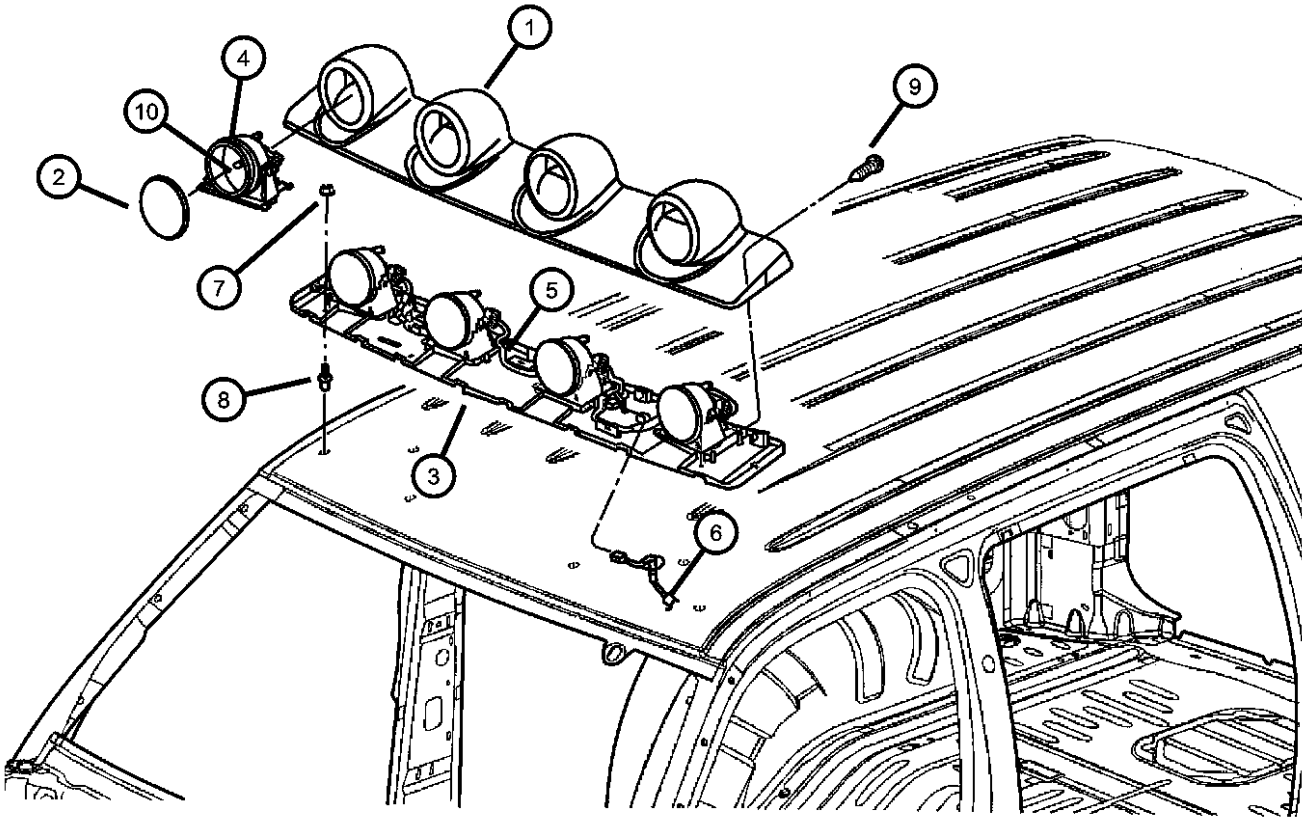
TRANSMISSION  
DGQ = Transmission-5-Spd Automatic 5-45RFE  
DG6 = Transmission-4-Spd. Automatic, 42RLE  
DEH = Transmission-6-Speed Manual, NSG370  
DG0 = Transmissions - All Automatic  
DBB = ALL MANUAL TRANSMISSIONS

AR = use ase required - = Non illustrated part

2005 KJ

Lamps Roof (Renegade)  
Figure 8-1110

ITEM	PART NUMBER	QTY	LINE	SERIES	BODY	ENGINE	TRANS	TRIM	DESCRIPTION
1									COVER, Light Bar Support
	5HZ01RXFAG	1							
	5HZ08RXFAG	1							Export
2	5HZ07RXFAF	1							COVER, Lamp
3	05083967AA	1							BAR, Light Support
4	52112063AC	4							LAMP, Off Road
5									WIRING, Off Road Light
	52112062AE	1							
	52112092AE	1							Export
6	56050301AA	1							WIRING, Roof Lamps
7	06507782AA	6							RIVET STUD
8	06504513	6							NUT AND WASHER, Hex Nut-Coned Washer, M6 x 1.00, Reinforcement to roof
9	06507783AA	4							SCREW, Shoulder
10	L0009006	1							BULB, Headlamp



LIBERTY (KJ)

SERIES      LINE  
P = LIMITED      J = JEEP - 4WD  
H = SPORT      U = JEEP - 4WD (RHD)  
M = RENEGADE      T = JEEP - 2WD

BODY  
74 = SPORT UTILITY 4-DR

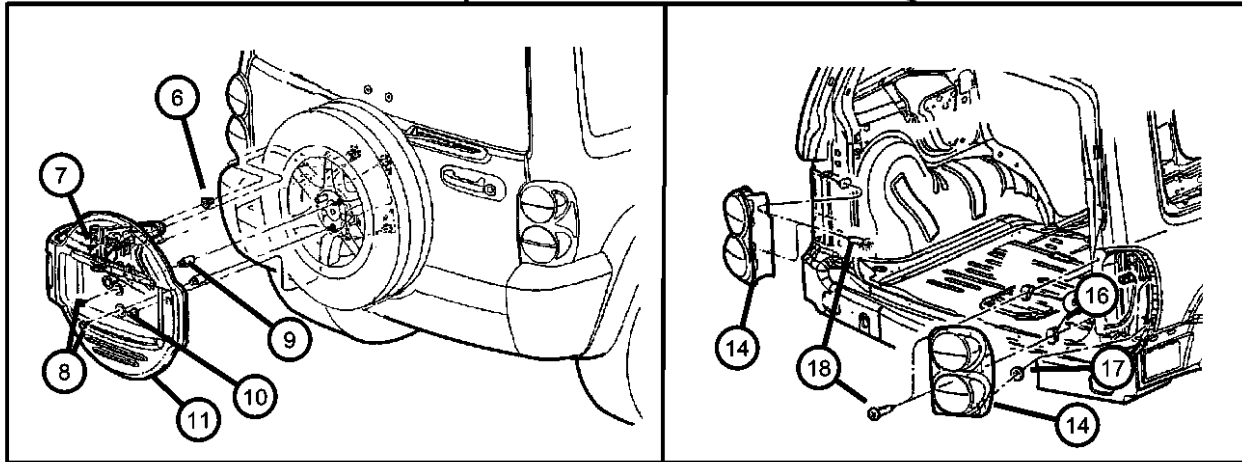
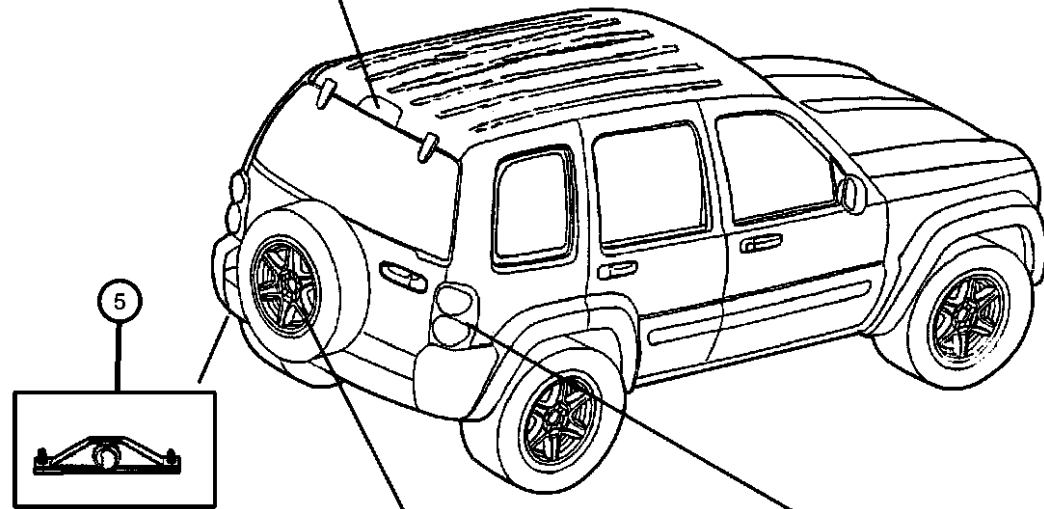
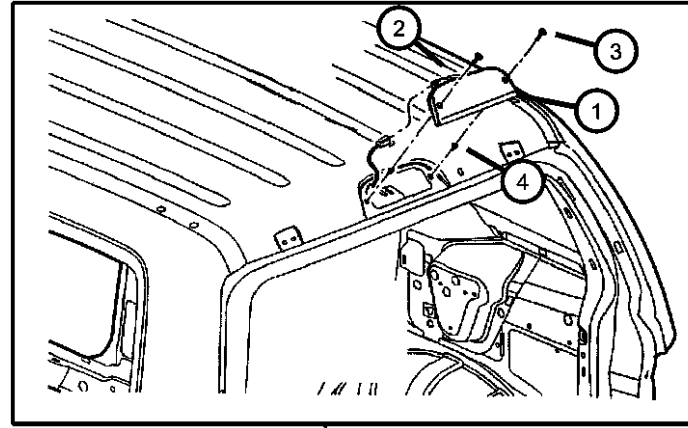
ENGINE  
ED1 = Engine - 2.4L 4 Cyl  
DOHC 16v SMPI  
EKG = Engine - 3.7L V6  
ENR = Engine - 2.8L 4 Cyl  
Turbo Diesel  
ENO = 4CYL turbo diesel

TRANSMISSION  
DGQ = Transmission-5-Spd Automatic  
5-45RFE  
DG6 = Transmission-4-Spd.  
Automatic, 42RLE  
DEH = Transmission-6-Speed Manual,  
NSG370  
DG0 = Transmissions - All Automatic  
DBB = ALL MANUAL  
TRANSMISSIONS

AR = use ase required - = Non illustrated part

2005 KJ

Lamp, Rear  
Figure 8-1115



ITEM	PART NUMBER	QTY	LINE	SERIES	BODY	ENGINE	TRANS	TRIM	DESCRIPTION
------	-------------	-----	------	--------	------	--------	-------	------	-------------

For bulbs see illustration 1125

1	55157130AA	1							LAMP, High Mounted Stop
2	55156027AB	1							SOCKET, High Mounted Stop Lamp
3	06036163AA	2							SCREW, .19-16x1.00
4	06507330AA	2							NUT, Plastic Snap-in
5									LAMP, License Plate
	04574904	1							[MLC]
		1							[MLA]
		1							[MLS]
6		1							NUT/RIVET, M6x1.0, (NOT SERVICED),
7	06506429AA	2	J, U						SCREW, M8x1.25x21
8	06506429AA	2	J, U						SCREW, M8x1.25x21
9	06036303AA	2	J, U						NUT, .50-20
10	06507799AA	4							NUT, Wheel
11									BRACKET, License Plate
	5HF06RXFAJ	1	J, U	H, P					
		1	J, U	M					
-12									LAMP, License
	55156006AA	2	J, U	H, P					[TBR], Export
		2	J, U	M					[TBR], Export
-13	56010329AD	1							WIRING, License Lamp
14									LAMP, Tail Stop Turn
	55157060AC	1							Right
	55157061AC	1							Left
	55157062AC	1		H, P					[ABE], Right
	55157063AC	1		H, P					[ABE], Left
	5KJ40RXFAB	1							[MXG], Right
	5KJ41RXFAB	1							[MXG], Left
	5KJ44RXFAB	1							[MXG,ABE], Right
	5KJ45RXFAB	1							[MXG,ABE], Left
-15									SOCKET, Board

LIBERTY (KJ)

SERIES LINE  
P = LIMITED J = JEEP - 4WD  
H = SPORT U = JEEP - 4WD (RHD)  
M = RENEGADE T = JEEP - 2WD

BODY  
74 = SPORT UTILITY 4-DR

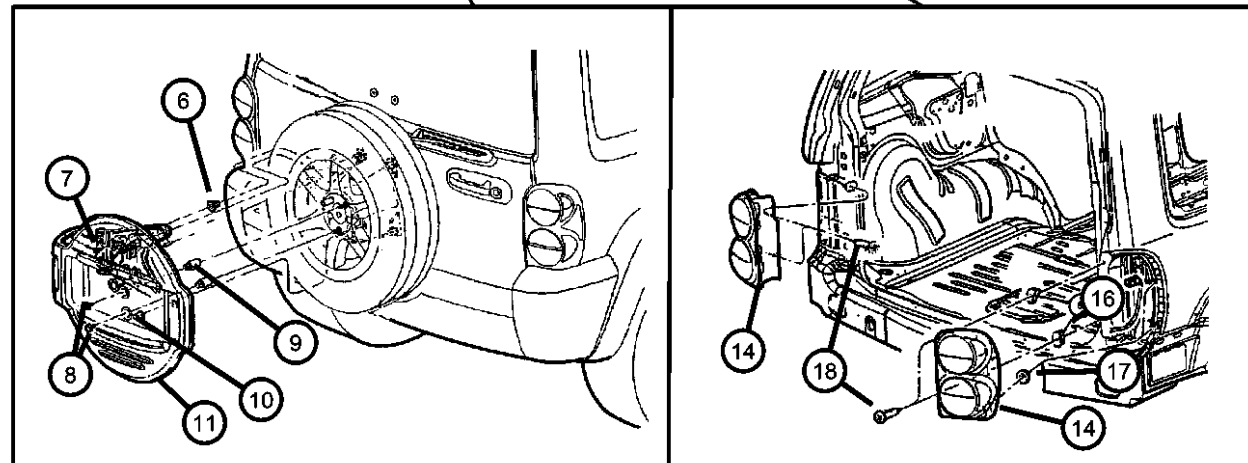
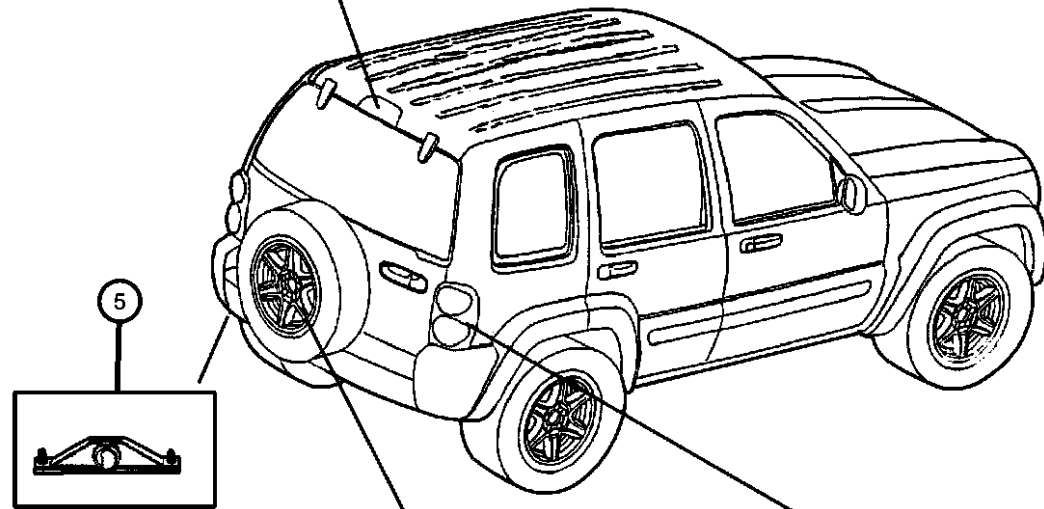
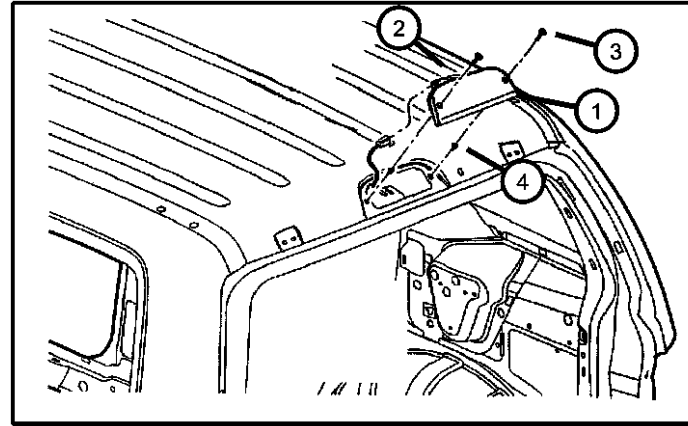
ENGINE  
ED1 = Engine - 2.4L 4 Cyl DOHC 16v SMPI  
EKG = Engine - 3.7L V6  
ENR = Engine - 2.8L 4 Cyl Turbo Diesel  
ENO = 4CYL turbo diesel

TRANSMISSION  
DGQ = Transmission-5-Spd Automatic 5-45RFE  
DG6 = Transmission-4-Spd. Automatic, 42RLE  
DEH = Transmission-6-Speed Manual, NSG370  
DG0 = Transmissions - All Automatic  
DBB = ALL MANUAL TRANSMISSIONS

AR = use ase required - = Non illustrated part

2005 KJ

Lamp, Rear  
Figure 8-1115



ITEM	PART NUMBER	QTY	LINE	SERIES	BODY	ENGINE	TRANS	TRIM	DESCRIPTION
	04676589	2							Socket only for socket board
	55157302AA	1		M					Actual socket board
		1		H, P					Actual socket board
16	06036508AA	4							NUT, Plastic Snap-in
17	06507347AA	4							NUT, Plastic Snap-in
18	06104568AA	4							SCREW, Tail lamp mounting
-19									WIRING, Rear Lamp
	56050283AB	1							
	56050484AB	1							Export
	56050595AB	1							[XGM]

LIBERTY (KJ)

SERIES LINE  
P = LIMITED J = JEEP - 4WD  
H = SPORT U = JEEP - 4WD (RHD)  
M = RENEGADE T = JEEP - 2WD

BODY  
74 = SPORT UTILITY 4-DR

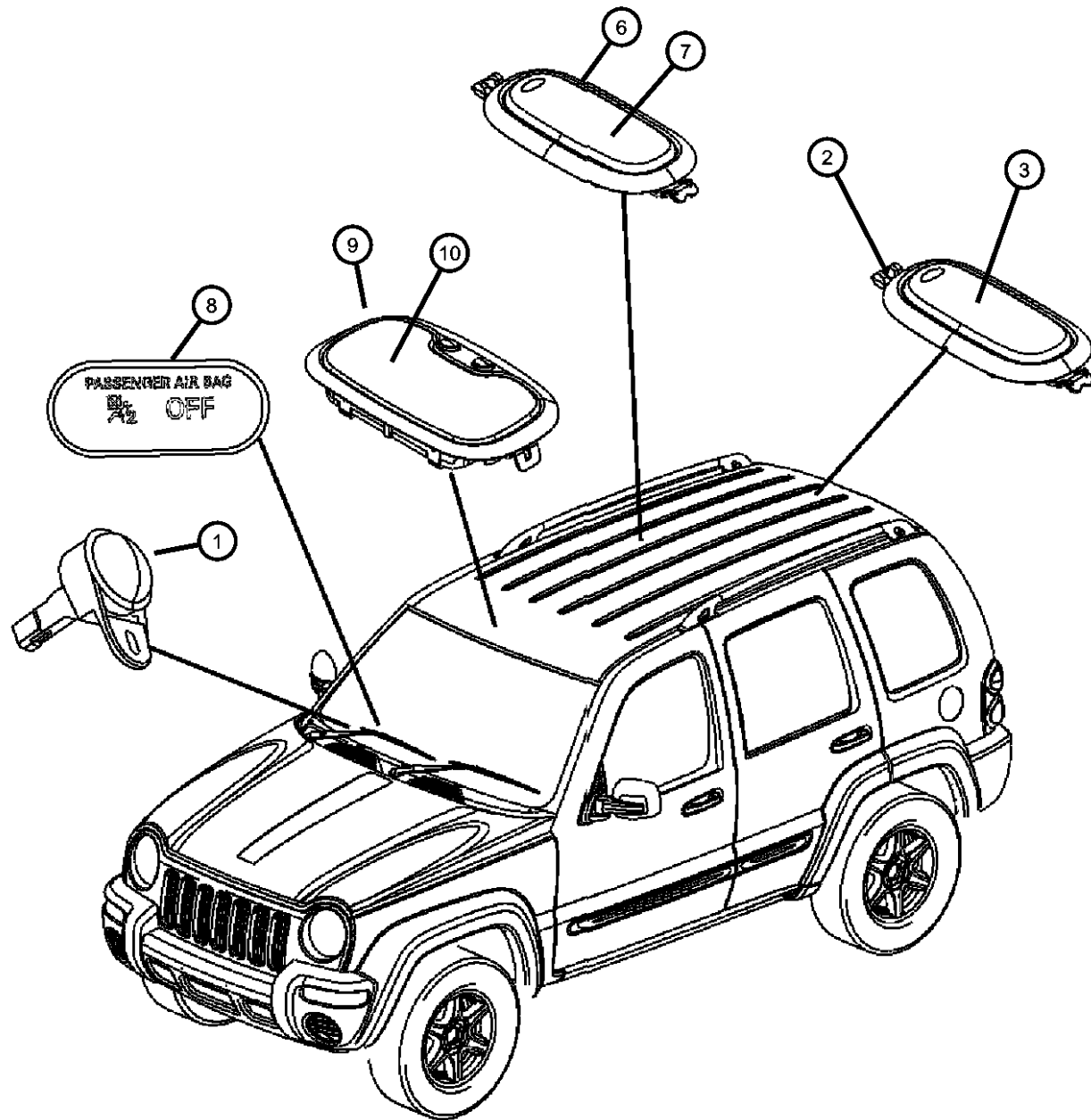
ENGINE  
ED1 = Engine - 2.4L 4 Cyl  
DOHC 16v SMPI  
EKG = Engine - 3.7L V6  
ENR = Engine - 2.8L 4 Cyl  
Turbo Diesel  
ENO = 4CYL turbo diesel

TRANSMISSION  
DGQ = Transmission-5-Spd Automatic  
5-45RFE  
DG6 = Transmission-4-Spd.  
Automatic, 42RLE  
DEH = Transmission-6-Speed Manual,  
NSG370  
DG0 = Transmissions - All Automatic  
DBB = ALL MANUAL  
TRANSMISSIONS

AR = use ase required - = Non illustrated part

2005 KJ

Lamp, Courtesy  
Figure 8-1120



ITEM	PART NUMBER	QTY	LINE	SERIES	BODY	ENGINE	TRANS	TRIM	DESCRIPTION
NOTE: see 8 1125 for Bulbs									
1	56042559AA	2			M, P				LAMP, Courtesy, Under dash
2	1BC77BD1AA	1							LAMP, Cargo
3	05093414AA	1							LENS, Dome Lamp, Cargo lamp
-4	04437661	3							LAMP, Message Center
-5									LENS, Message Center
	05012882AA	1	J, U						
		1	J, T						
6	5JG58BD1AA	1							LAMP, Dome
7									LENS, Dome Lamp
	05093414AA	1							[LCS]
	05093522AA	1	J, T						
		1	J, U						
8	56010552AB	1							LAMP, Warning, Passenger Airbag ON/OFF System
9									LAMP, Reading
	0WT01BD1AA	1	J, T						
		1	J, U						
	0WT06BD1AA	1	J, T						[GWA]
		1	J, U						[GWA]
10	05093415AA	1	J, T						LENS, Reading Lamp

LIBERTY (KJ)

SERIES LINE  
P = LIMITED J = JEEP - 4WD  
H = SPORT U = JEEP - 4WD (RHD)  
M = RENEGADE T = JEEP - 2WD

BODY  
74 = SPORT UTILITY 4-DR

ENGINE  
ED1 = Engine - 2.4L 4 Cyl DOHC 16v SMPI  
EKG = Engine - 3.7L V6  
ENR = Engine - 2.8L 4 Cyl Turbo Diesel  
ENO = 4CYL turbo diesel

TRANSMISSION  
DGQ = Transmission-5-Spd Automatic 5-45RFE  
DG6 = Transmission-4-Spd. Automatic, 42RLE  
DEH = Transmission-6-Speed Manual, NSG370  
DG0 = Transmissions - All Automatic  
DBB = ALL MANUAL TRANSMISSIONS

AR = use ase required - = Non illustrated part

2005 KJ



**Bulbs**  
**Figure 8-1125**

**LAMPS/LIGHTING - EXTERIOR**

BULB APPLICATION TABLE	
LAMP	BULB
BACKUP	3157 P27/7W (1)
BRAKE	3157 P27/7W (1)
CENTER HIGH MOUNTED STOP	921/W16W (2)
FRONT FOG (FASCIA MOUNTED)	H3/55W (3)
FRONT FOG (GRILLE MOUNTED)	9145/H10 (4)
FRONT PARK/TURN	3157 P27/7W (1)
FRONT POSITION	W5W (5)
FRONT SIDE MARKER	168 (6)
HEADLAMP (NORTH AMERICA)	9007QL (7)
HEADLAMP (EXCEPT NORTH AMERICA)	H-4 W0W6 (8)
LICENSE (NORTH AMERICA)	168 (6)
LICENSE (EXCEPT NORTH AMERICA)	W5W (5)
LIGHT BAR (OFF ROAD)	9006LL (9)
REAR FOG	3157 P27/7W (1)
REAR PARK/TAIL	3157 P27/7W (1)
REAR TURN	3757A PY27/7W (10)
SIDE REPEATER	W5W (5)

**LAMPS/LIGHTING - INTERIOR**

**COURTESY LAMPS**

BULB APPLICATION TABLE	
LAMP	BULB
Cargo	578 (11)
Courtesy	906 (12)
Front Map/Reading	578 (11)
Rear Dome	578 (11)
Vanity Mirror	MOPAR 6501966

**PANEL LAMPS**

BULB APPLICATION TABLE	
LAMP	BULB
Ash Receiver	161 (14)
Cluster Illumination	103 (15)
Compass Mini-Trip Illumination	MOPAR 4437661 (16)
Heater-A/C Control Illumination	74 (17)
Transmission Range Indicator Illumination	S14V

ITEM	PART NUMBER	QTY	LINE	SERIES	BODY	ENGINE	TRANS	TRIM	DESCRIPTION
------	-------------	-----	------	--------	------	--------	-------	------	-------------

Notes:

[ED0] = 2.4L 4 Cylinder Engine  
 [EK0] = 3.7L V6 Cylinder Engine  
 [DG0] = All Automatic Transmissions

1	L0003157	1	J, T						BULB, 3157
2	L000921E	1							BULB, 921
3	L00H355W	1		M					BULB, Fog Lamp, H-3 55 WATT, Fascia mounted foglamps
4									BULB, Fog Lamp, 50 Watt
	L0009145	2	U	H, P		ED0, EK0			Grille mounted foglamps
		2	U	H, P		EN0			Grille mounted foglamps
		2	J, T	H, P					Grille mounted foglamps
5	L002825W5W	2							BULB, W10/5
6	L0000168	1							BULB, 168
7									BULB, Headlamp
	L0009007QL	1	J, T	M					
		1	J, T	H, P					
8									BULB, H4 Clear
	J3242537	1	J, T	H, P		ED0, EK0			
		1	J, T	H, P		EN0			
		1	U	H, P		ED0, EK0			
		1	U	H, P		EN0			
9	L0009006	1							BULB, Headlamp, Light bar
10	L003757A	1							BULB, 3757APY27/7W
11	L0000578	1							BULB, 578
12	L0000906	1		M, P					BULB, 906
-13	L0000037	1							BULB, 37
14	L0000037	1							BULB, 161, (NOT SERVICED)
15									BULB AND SOCKET
	04839738AA	9				ED0, EK0			Cluster
		9				EN0			Cluster
16	04437661	3							LAMP, Message Center
17	05069170AA	1							BULB, Heater and A/C Control
-18	L0003893	2							BULB, T8/4, Side Repeater Lamp

**LIBERTY (KJ)**

SERIES      LINE  
 P = LIMITED      J = JEEP - 4WD  
 H = SPORT      U = JEEP - 4WD (RHD)  
 M = RENEGADE      T = JEEP - 2WD

BODY  
 74 = SPORT UTILITY 4-DR

ENGINE  
 ED1 = Engine - 2.4L 4 Cyl DOHC 16v SMPI  
 EKG = Engine - 3.7L V6  
 ENR = Engine - 2.8L 4 Cyl Turbo Diesel  
 ENO = 4CYL turbo diesel

TRANSMISSION  
 DGQ = Transmission-5-Spd Automatic 5-45RFE  
 DG6 = Transmission-4-Spd. Automatic, 42RLE  
 DEH = Transmission-6-Speed Manual, NSG370  
 DG0 = Transmissions - All Automatic  
 DBB = ALL MANUAL TRANSMISSIONS

AR = use ase required - = Non illustrated part

2005 KJ

**Bulbs**  
**Figure 8-1125**

**LAMPS/LIGHTING - EXTERIOR**

BULB APPLICATION TABLE	
LAMP	BULB
BACKUP	3157 P277W (1)
BRAKE	3157 P277W (1)
CENTER HIGH MOUNTED STOP	921/W16W (2)
FRONT FOG (FASCIA MOUNTED)	H3/55W (3)
FRONT FOG (GRILLE MOUNTED)	9145/H10 (4)
FRONT PARK/TURN	3157 P277W (1)
FRONT POSITION	W5W (5)
FRONT SIDE MARKER	168 (6)
HEADLAMP (NORTH AMERICA)	9007QL (7)
HEADLAMP (EXCEPT NORTH AMERICA)	H-4 W0W6 (8)
LICENSE (NORTH AMERICA)	168 (6)
LICENSE (EXCEPT NORTH AMERICA)	W5W (5)
LIGHT BAR (OFF ROAD)	9006LL (9)
REAR FOG	3157 P277W (1)
REAR PARK/TAIL	3157 P277W (1)
REAR TURN	3757A PY277W (10)
SIDE REPEATER	W5W (5)

ITEM	PART NUMBER	QTY	LINE	SERIES	BODY	ENGINE	TRANS	TRIM	DESCRIPTION
-19	L0000192	2	J, U						BULB, 192
-20	L0000579	1	J, T						BULB, 579
-21	L0021402	1	J, T						BULB, 21402

**LAMPS/LIGHTING - INTERIOR**

**COURTESY LAMPS**

BULB APPLICATION TABLE	
LAMP	BULB
Cargo	578 (11)
Courtesy	906 (12)
Front Map/Reading	578 (11)
Rear Dome	578 (11)
Vanity Mirror	MOPAR 6501966

**PANEL LAMPS**

BULB APPLICATION TABLE	
LAMP	BULB
Ash Receiver	161 (14)
Cluster Illumination	103 (15)
Compass Mini-Trip Illumination	MOPAR 4437661 (16)
Heater-A/C Control Illumination	74 (17)
Transmission Range Indicator Illumination	S14V

**LIBERTY (KJ)**

SERIES            LINE  
P = LIMITED      J = JEEP - 4WD  
H = SPORT        U = JEEP - 4WD (RHD)  
M = RENEGADE    T = JEEP - 2WD

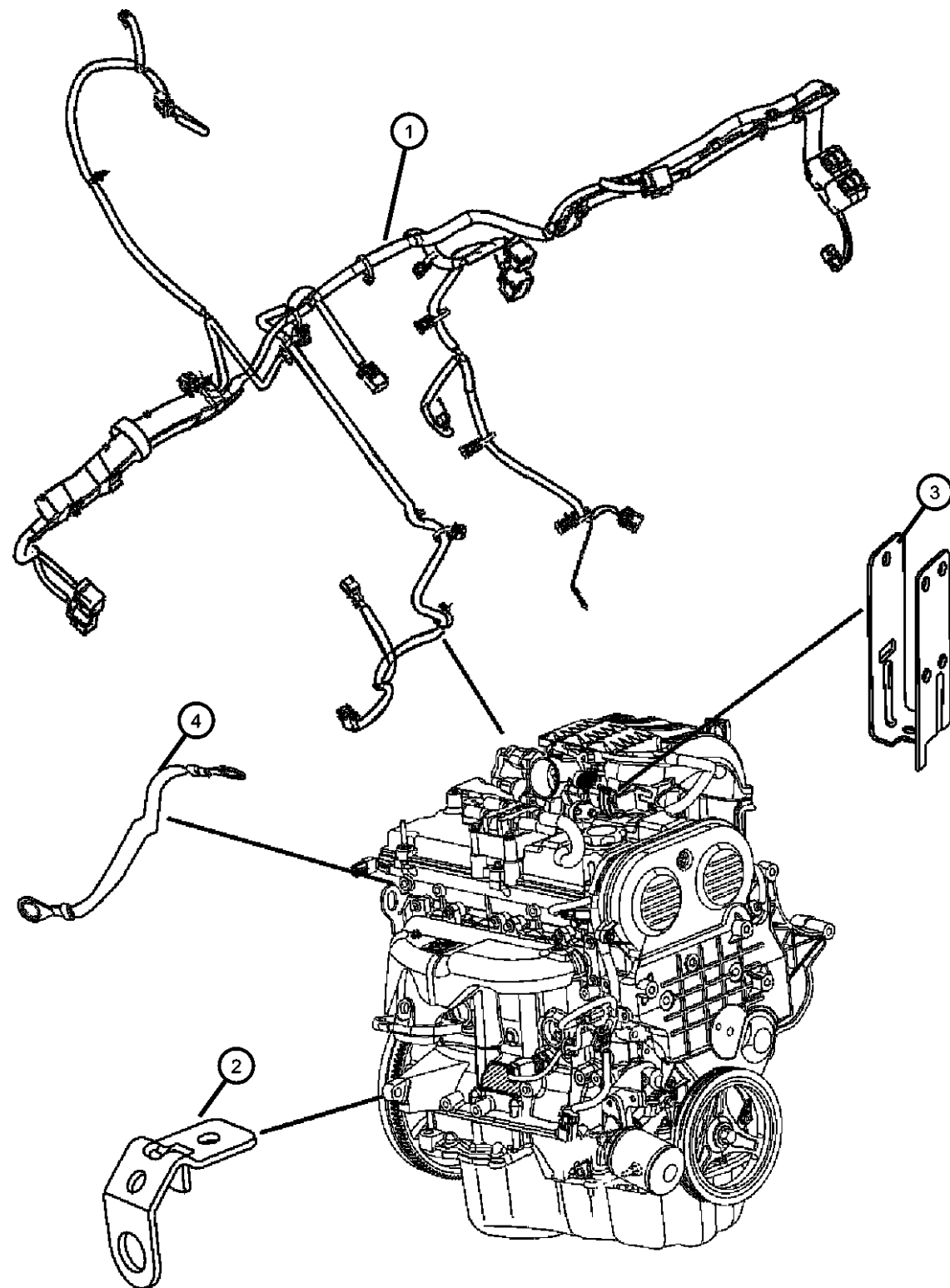
BODY  
74 = SPORT UTILITY 4-DR

ENGINE  
ED1 = Engine - 2.4L 4 Cyl DOHC 16v SMPI  
EKG = Engine - 3.7L V6  
ENR = Engine - 2.8L 4 Cyl Turbo Diesel  
ENO = 4CYL turbo diesel

TRANSMISSION  
DGQ = Transmission-5-Spd Automatic 5-45RFE  
DG6 = Transmission-4-Spd. Automatic, 42RLE  
DEH = Transmission-6-Speed Manual, NSG370  
DG0 = Transmissions - All Automatic  
DBB = ALL MANUAL TRANSMISSIONS

AR = use ase required - = Non illustrated part

**Wiring, Engine and Related Parts 4 Cylinder  
Figure 8-1205**



ITEM	PART NUMBER	QTY	LINE	SERIES	BODY	ENGINE	TRANS	TRIM	DESCRIPTION
------	-------------	-----	------	--------	------	--------	-------	------	-------------

Notes:  
 [ED0] = 2.4L 4 Cylinder Engine  
 [EK0] = 3.7L V6 Cylinder Engine  
 [EN0] = All 4/5 Cylinder Turbo Diesel Engines  
 [DBB] = All Manual Transmissions  
 [DG0] = All Automatic Transmissions  
 [DG6] = 4 Speed Automatic Transmissions  
 [DDD] = 5 Speed Heavy Duty Manual Transmission  
 [DDK] = 5 Speed Heavy Duty Manual Transmission

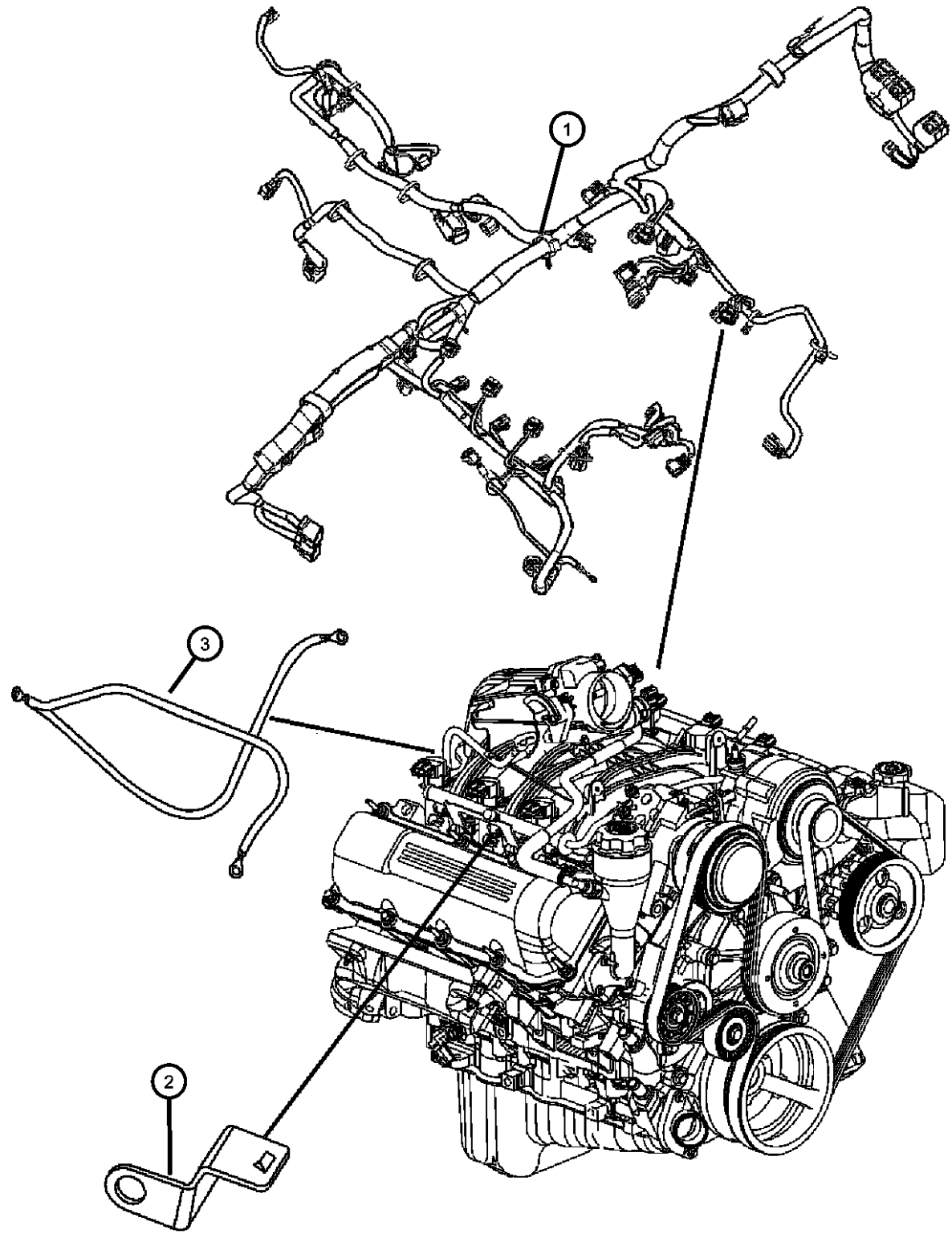
1									WIRING, Engine
	56050446AD	1	J, T			ED0	DBB		
	56050447AD	1	U			ED0	DBB		
	56050448AD	1	J, T			EN0	DG0		
	56050449AD	1	J, T			EN0	DBB		
	56050450AD	1	U			EN0	DG0		
	56050451AD	1	U			EN0	DBB		
	56050452AA	1				ED0			
2	56041379AA	3				EN0			CLIP, Housing
3									BRACKET, Wiring
	56010275AB	1	U						Headlamp & Dash to Injector Inline
	56010291AB	1	J, T						Headlamp & Dash to Injector Inline
	56044156AA	1				ED0			Battery Harness
4									STRAP, Ground
	56038529AB	1				ED0			Engine/Body/Hood
	56038750AA	1							Hood to Fender

**LIBERTY (KJ)**

SERIES	LINE	BODY	ENGINE	TRANSMISSION
P = LIMITED	J = JEEP - 4WD	74 = SPORT UTILITY 4-DR	ED1 = Engine - 2.4L 4 Cyl DOHC 16v SMPI	DGQ = Transmission-5-Spd Automatic 5-45RFE
H = SPORT	U = JEEP - 4WD (RHD)		EKG = Engine - 3.7L V6	DG6 = Transmission-4-Spd. Automatic, 42RLE
M = RENEGADE	T = JEEP - 2WD		ENR = Engine - 2.8L 4 Cyl Turbo Diesel	DEH = Transmission-6-Speed Manual, NSG370
			ENO = 4CYL turbo diesel	DG0 = Transmissions - All Automatic
				DBB = ALL MANUAL TRANSMISSIONS

AR = use ase required - = Non illustrated part

**Wiring, Engine and Related Parts 6 cylinder  
Figure 8-1210**



ITEM	PART NUMBER	QTY	LINE	SERIES	BODY	ENGINE	TRANS	TRIM	DESCRIPTION
1									WIRING, Engine
	56050302AE	1	J			EK0	DG0		
	56050303AE	1	U			EK0	DG0		
	56050505AE	1	T			EK0	DG0		
	56050514AD	1	J			EK0	DBB		
	56050516AD	1	T			EK0	DBB		
2	56050308AA	1				EK0			BRACKET, Wiring Harness
3									STRAP, Ground
	56038554AB	1				EK0			Engine/Body/Hood
	56038750AB	1							Hood to Fender

**LIBERTY (KJ)**

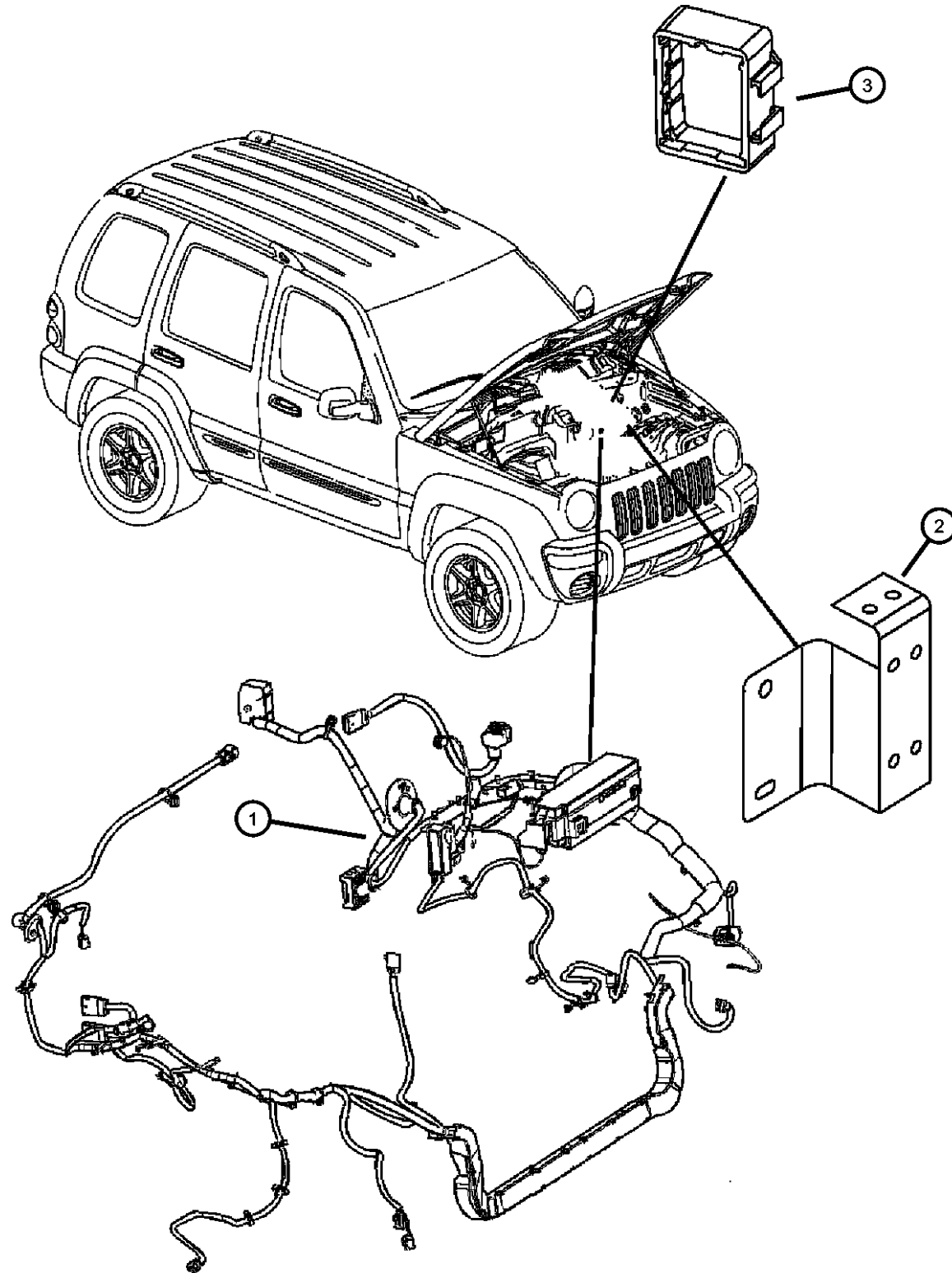
SERIES	LINE	BODY	ENGINE	TRANSMISSION
P = LIMITED	J = JEEP - 4WD	74 = SPORT UTILITY 4-DR	ED1 = Engine - 2.4L 4 Cyl DOHC 16v SMPI	DGQ = Transmission-5-Spd Automatic 5-45RFE
H = SPORT	U = JEEP - 4WD (RHD)		EKG = Engine - 3.7L V6	DG6 = Transmission-4-Spd. Automatic, 42RLE
M = RENEGADE	T = JEEP - 2WD		ENR = Engine - 2.8L 4 Cyl Turbo Diesel	DEH = Transmission-6-Speed Manual, NSG370
			ENO = 4CYL turbo diesel	DG0 = Transmissions - All Automatic
				DBB = ALL MANUAL TRANSMISSIONS

AR = use ase required - = Non illustrated part

**Wiring, Headlamp to Dash**  
**Figure 8-1305**

ITEM	PART NUMBER	QTY	LINE	SERIES	BODY	ENGINE	TRANS	TRIM	DESCRIPTION
------	-------------	-----	------	--------	------	--------	-------	------	-------------

Square Convuluted Tubing is Serviced with the Headlamp to Dash Harness Only



1	56050502AF	1	J, T			ED0, EK0	DG0		WIRING, Headlamp to Dash [BRY]
	56050740AF	1	J, T			ED0, EK0	DG0		[BRY,LSB,LSC]
	56050741AF	1				ED0, EK0	DG0		[BRE]
	56050743AF	1	J, T			ED0, EK0	DBB		[BRY]
	56050744AF	1				ED0, EK0	DBB		[BRE]
	56050745AF	1	U			ED0, EK0	DBB		[BRY]
	56050747AF	1	U			ED0, EK0	DG0		[BRY]
	56050750AF	1	U			EN0	DBB		[BRY]
	56050751AF	1	J, T			EN0	DBB		[BRY]
	56050753AF	1	J, T			EN0	DG0		[BRY]
	56050755AD	1	J, T			ED0, EK0	DG0		[LSB,LSC,XGM,BRY]
	56050756AF	1	U			EN0	DG0		[BRY]
	56050757AD	1				ED0, EK0	DG0		[BRE,XGM]
	56050760AD	1	J, T			ED0, EK0	DBB		[BRY,XGM]
	56050761AD	1				ED0, EK0	DBB		[BRE,XGM]
	56050762AD	1	J, T			EN0	DBB		[BRY,XGM]
	56050764AD	1	T, J			ED0, EK0	DG0		[XGM,BRY]
	56050763AD	1	J, T			EN0	DG0		[BRY,XGM]
2	56010275AB	1	U						BRACKET, Wiring Headlamp & Dash to Injector Inlines
	56010291AB	1	J, T						Headlamp & Dash to Injector Inlines
3	56009948AA	1							COLLAR, Insulator, Headlamp & Dash to I/Panel
-4	68029179AA	1							TROUGH, Wiring, COVERS THE HEADLAMP AND DASH WIRING UNDER THE RADIATOR SUPPORT

**LIBERTY (KJ)**

SERIES      LINE  
P = LIMITED      J = JEEP - 4WD  
H = SPORT      U = JEEP - 4WD (RHD)  
M = RENEGADE      T = JEEP - 2WD

BODY  
74 = SPORT UTILITY 4-DR

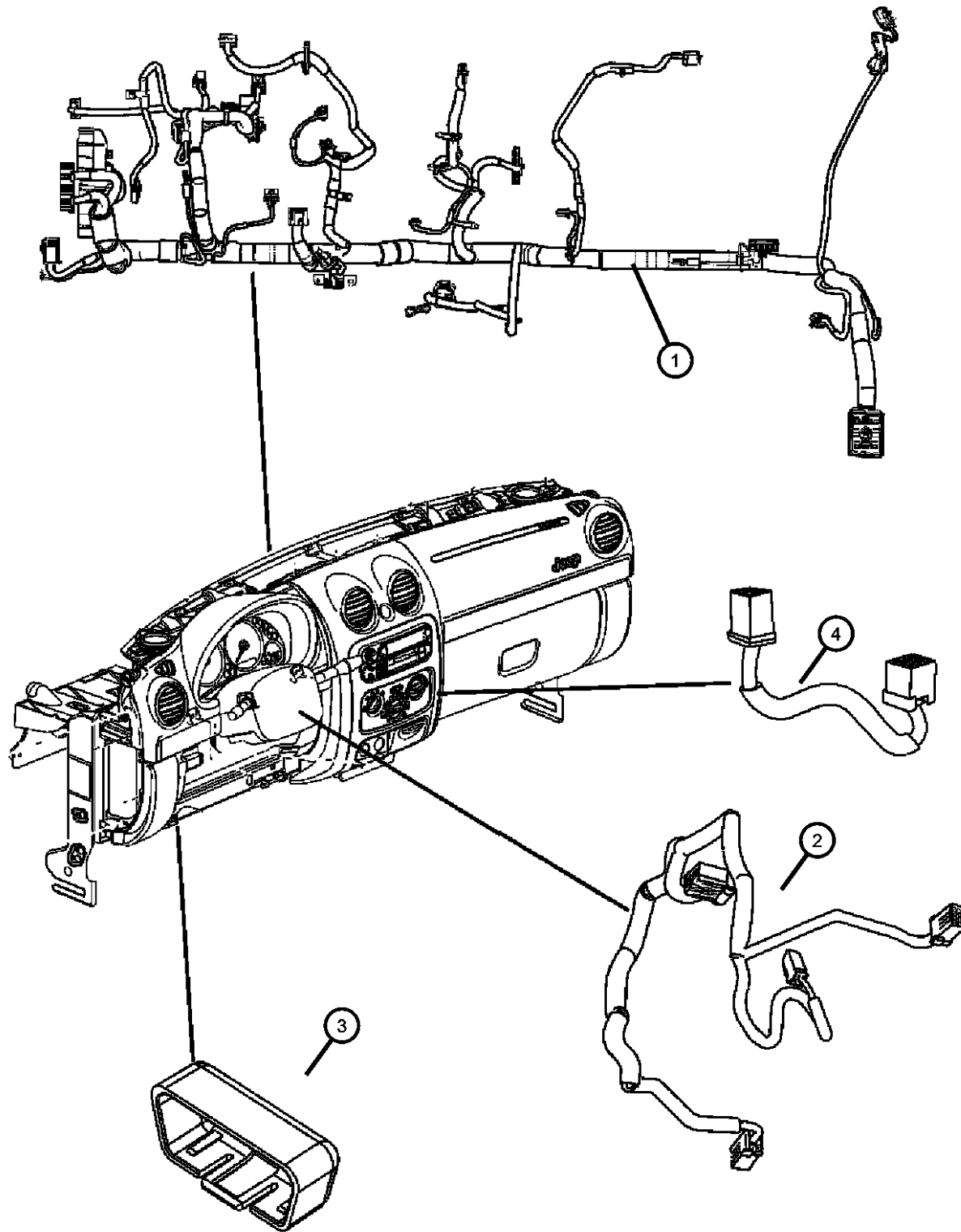
ENGINE  
ED1 = Engine - 2.4L 4 Cyl DOHC 16v SMPI  
EKG = Engine - 3.7L V6  
ENR = Engine - 2.8L 4 Cyl Turbo Diesel  
ENO = 4CYL turbo diesel

TRANSMISSION  
DGQ = Transmission-5-Spd Automatic 5-45RFE  
DG6 = Transmission-4-Spd. Automatic, 42RLE  
DEH = Transmission-6-Speed Manual, NSG370  
DG0 = Transmissions - All Automatic  
DBB = ALL MANUAL TRANSMISSIONS

AR = use ase required - = Non illustrated part

2005 KJ

Wiring Instrument Panel  
Figure 8-1405



ITEM	PART NUMBER	QTY	LINE	SERIES	BODY	ENGINE	TRANS	TRIM	DESCRIPTION
1	56010630AE	1	U						WIRING, Instrument Panel Base
	56010631AE	1	J, T						Base, Export
	56010632AE	1	J, T						[AJP, LNJ, AJB, GXX]
	56010635AE	1							[LNS]
	56010636AE	1	J, T						Base
2	56050820AB	1			P				WIRING, Steering Wheel
		1			H				
		1			M				
	56050821AB	1			H				[RZD]
		1			M				[RZD]
		1			P				[RZD]
	56050822AB	1							[SCD]
3	56042070	1							COVER, Wiring ProtectorExport
4	56050823AC	1							WIRING, Jumper, Hands free module

LIBERTY (KJ)

SERIES      LINE  
P = LIMITED      J = JEEP - 4WD  
H = SPORT      U = JEEP - 4WD (RHD)  
M = RENEGADE      T = JEEP - 2WD

BODY  
74 = SPORT UTILITY 4-DR

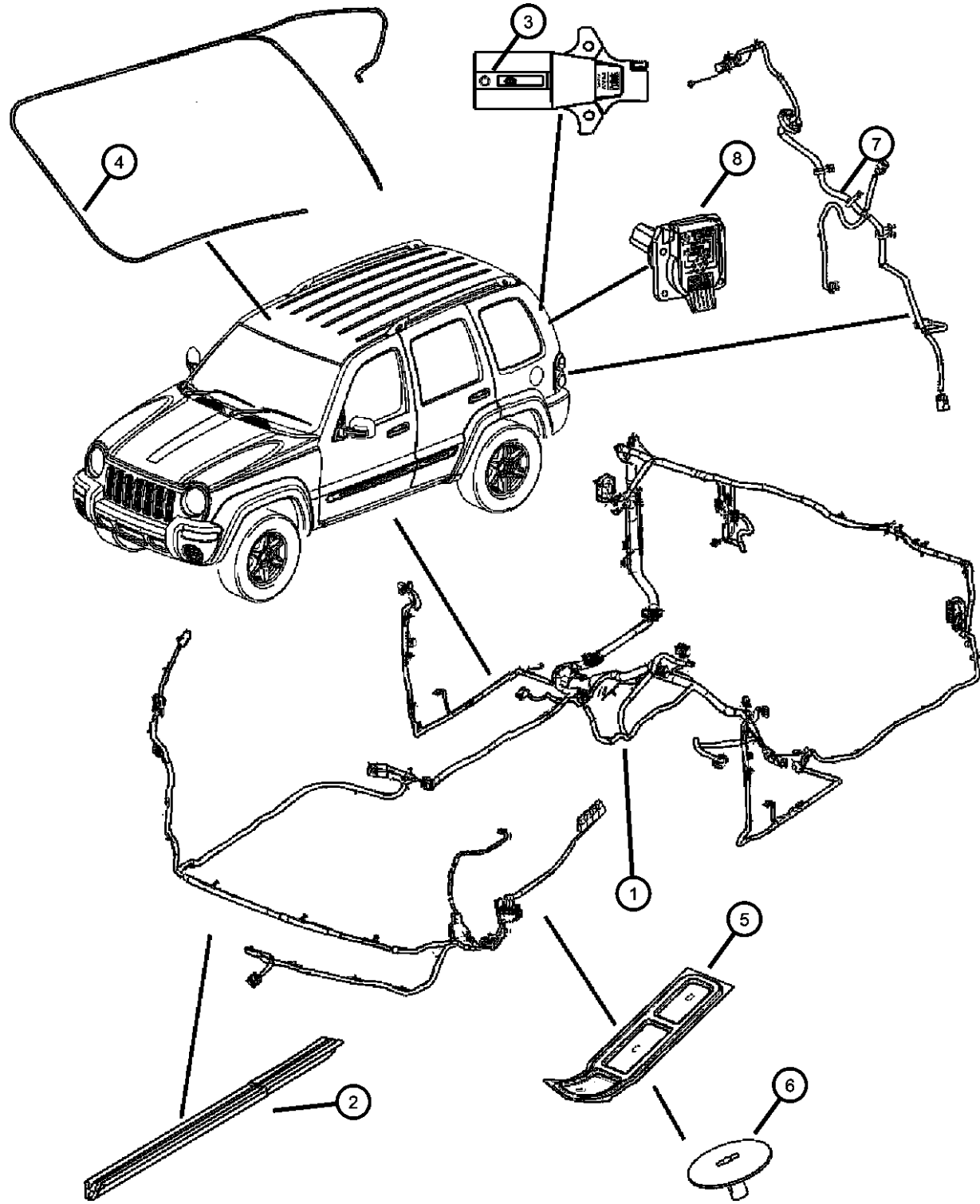
ENGINE  
ED1 = Engine - 2.4L 4 Cyl DOHC 16v SMPI  
EKG = Engine - 3.7L V6  
ENR = Engine - 2.8L 4 Cyl Turbo Diesel  
ENO = 4CYL turbo diesel

TRANSMISSION  
DGQ = Transmission-5-Spd Automatic 5-45RFE  
DG6 = Transmission-4-Spd. Automatic, 42RLE  
DEH = Transmission-6-Speed Manual, NSG370  
DG0 = Transmissions - All Automatic  
DBB = ALL MANUAL TRANSMISSIONS

AR = use ase required - = Non illustrated part

2005 KJ

**Wiring, Body & Accessories**  
**Figure 8-1505**



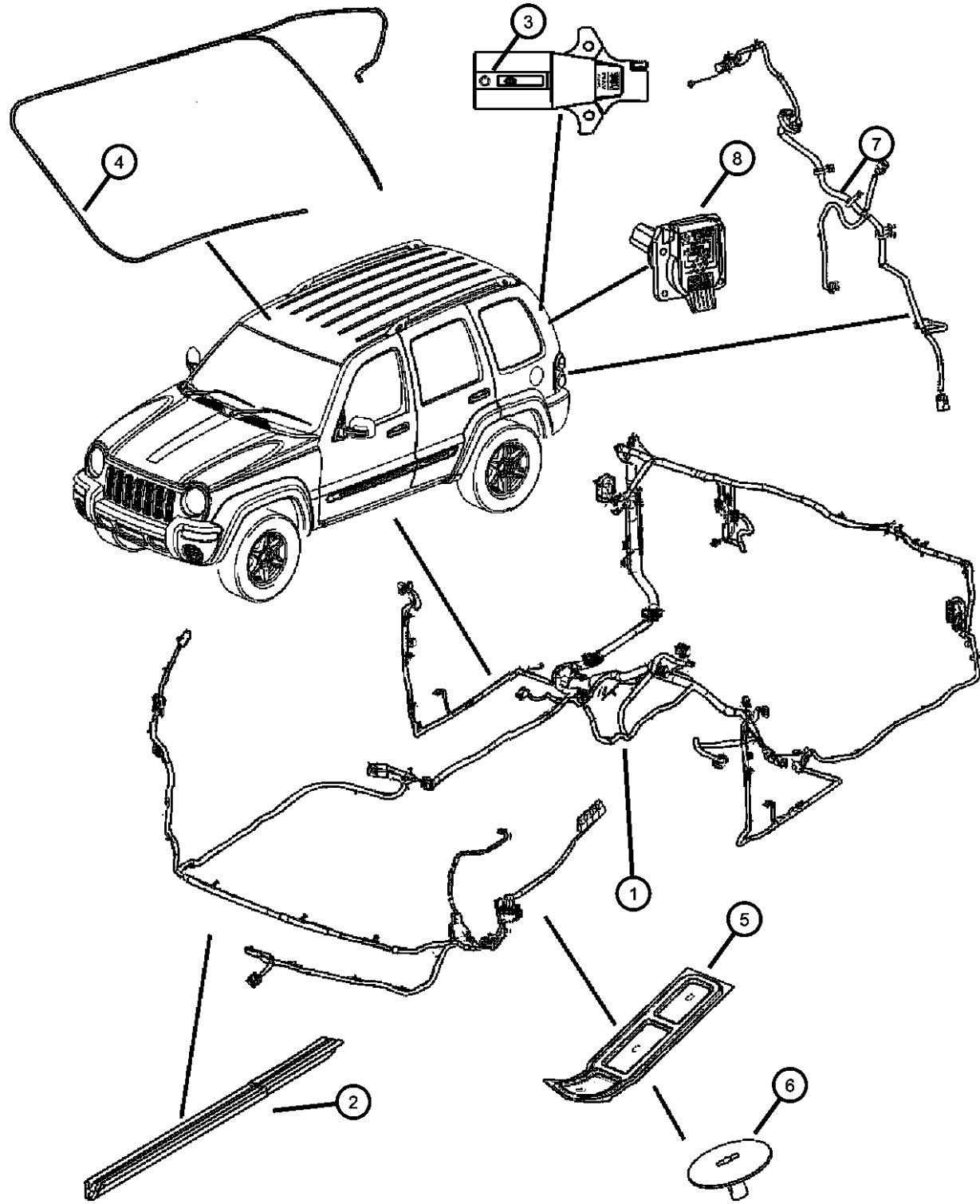
ITEM	PART NUMBER	QTY	LINE	SERIES	BODY	ENGINE	TRANS	TRIM	DESCRIPTION
Notes: [ED0] = 2.4L 4 Cylinder Engine [EK0] = 3.7L V6 Cylinder Engine [EN0] = 2.5L Diesel									
1	56047228AB	1	J, T						WIRING, Body
	56047229AB	1	J, T						[RCG]
	56047230AB	1	J, T						[CGS,RCG]
	56047231AB	1	J, T						[RCJ,JPS,GWA,CUD]
	56047232AB	1	J, T						[AHT]
	56047233AB	1	J, T						[CGS,RCJ,JPS,GWA,CUD]
	56047234AB	1	J, T						[AHT,CGS]
		1	J						[CGS,JPM,GWA,ABE,CUD]
	56047235AB	1	J, T						[CGS,JPM], Export
	56047236AB	1	J, T						[CGS,JPT,JPM]
	56047237AB	1	J, T						[CGS,JPT,JPM,AHT]
		1	J						[JPM,GWA,ABE,CUD]
	56047238AB	1	J, T						[JPM], Export
	56047239AB	1	J, T						[JPT,JPM]
	56047240AB	1	J, T						[CGS,JPT,JPM,AHT]
		1	J						[JPM,GWA,ABE,CUD]
	56047241AB	1	J, T						[JPT,JPM]
	56047242AB	1	J, T						[JPT,JPM,AHT]
	56047243AB	1	J, T						[CGS,JPT,GWA,ABE,CUD]
		1	J						[CGS], Export
	56047244AB	1	J, T						[CGS,JPT]
	56047245AB	1	J, T						[CGS,JPT,AHT]
	56047246AB	1	U						[JPT,GWA,ABE,CUD]
	56047247AB	1	U						Base, Export
	56047248AB	1	U						[JPT]
	56047249AB	1	U						[JPT,AHT]
2	56010044AC	2	J, T						COVER, Body Wiring

**LIBERTY (KJ)**

SERIES	LINE	BODY	ENGINE	TRANSMISSION
P = LIMITED	J = JEEP - 4WD	74 = SPORT UTILITY 4-DR	ED1 = Engine - 2.4L 4 Cyl DOHC 16v SMPI	DGQ = Transmission-5-Spd Automatic 5-45RFE
H = SPORT	U = JEEP - 4WD (RHD)		EKG = Engine - 3.7L V6	DG6 = Transmission-4-Spd. Automatic, 42RLE
M = RENEGADE	T = JEEP - 2WD		ENR = Engine - 2.8L 4 Cyl Turbo Diesel	DEH = Transmission-6-Speed Manual, NSG370
			ENO = 4CYL turbo diesel	DG0 = Transmissions - All Automatic
				DBB = ALL MANUAL TRANSMISSIONS

AR = use ase required - = Non illustrated part

**Wiring, Body & Accessories**  
**Figure 8-1505**



ITEM	PART NUMBER	QTY	LINE	SERIES	BODY	ENGINE	TRANS	TRIM	DESCRIPTION
3	56019823	1	U						ADAPTER, Trailer Tow
4	04760644	1	J, T						WIRING, Overhead Console
	05166454AA	1	J, U						[GWA]
		1	J, T						[GWA]
		1	J, U						
5	56010046AC	1							COVER, Wiring Protector Right
	56010047AC	1							Left
	56042070	1							[ABE]
6	56010354AA	4							CLIP, Floor Pan Cover Button
7	56050284AB	1				ED0, EK0			WIRING, Fuel Tank
	56050485AC	1				ENO			
8	56038366AB	1							CONNECTOR, 7 Way, Trailer tow
-9	05101961AA	1							WIRING, Sunroof

**LIBERTY (KJ)**

SERIES      LINE  
P = LIMITED      J = JEEP - 4WD  
H = SPORT      U = JEEP - 4WD (RHD)  
M = RENEGADE      T = JEEP - 2WD

BODY  
74 = SPORT UTILITY 4-DR

ENGINE  
ED1 = Engine - 2.4L 4 Cyl  
DOHC 16v SMPI  
EKG = Engine - 3.7L V6  
ENR = Engine - 2.8L 4 Cyl  
Turbo Diesel  
ENO = 4CYL turbo diesel

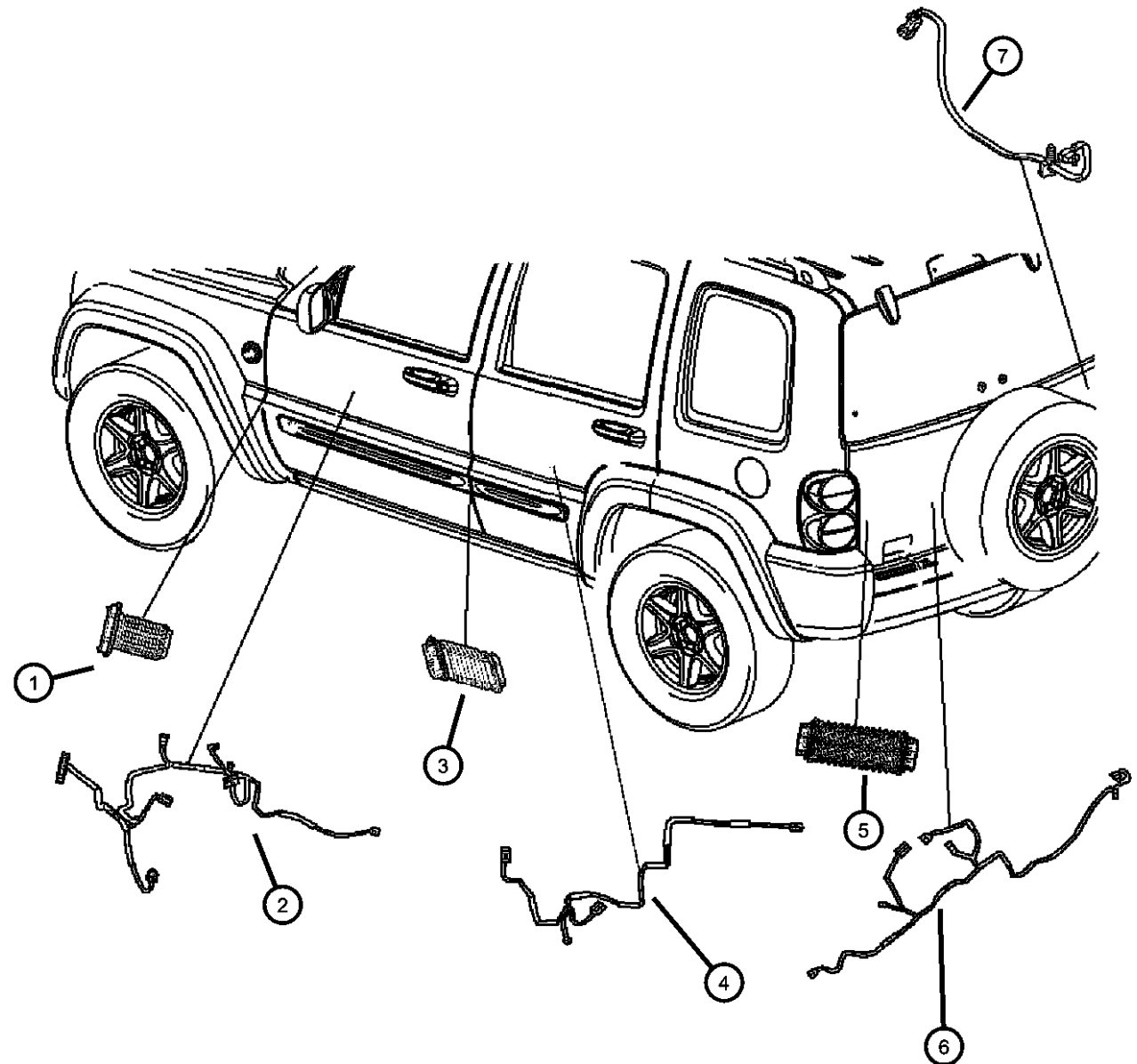
TRANSMISSION  
DGQ = Transmission-5-Spd Automatic  
5-45RFE  
DG6 = Transmission-4-Spd.  
Automatic, 42RLE  
DEH = Transmission-6-Speed Manual,  
NSG370  
DG0 = Transmissions - All Automatic  
DBB = ALL MANUAL  
TRANSMISSIONS

AR = use ase required    - = Non illustrated part

2005 KJ



**Wiring Doors and Tail Gate**  
**Figure 8-1510**



ITEM	PART NUMBER	QTY	LINE	SERIES	BODY	ENGINE	TRANS	TRIM	DESCRIPTION
1	56010326AC	2							GROMMET, Door Wiring, Front door
2									WIRING, Front Door
	56050556AB	1	J, T						[RCJ], Passenger
	56050658AB	1	J, T						[JPY], Passenger
	56050659AB	1	U						[RCJ], Driver
	56050660AC	1	U						[RCJ], Passenger
	56050669AB	1	U						[JPY,JPB,JPH,GVB], Driver
	56050670AC	1	U						[JPY,JPB,JPH,GVB], Passenger
	56050719AC	1	J, T						[JPY], Driver
	56050721AC	1	J, T						[RCJ], Driver
3	56010327AB	2							GROMMET, Door Wiring, Rear door
4	56050615AB	2							WIRING, Rear Door
5	56010328AA	1							GROMMET, Door Wiring, Swing gate
6									WIRING, Tailgate
	56050510AB	1							[GXM]
	56050511AB	1							Export
7	05143017AA	1							WIRING, Power Door Lock, Swing gate handle

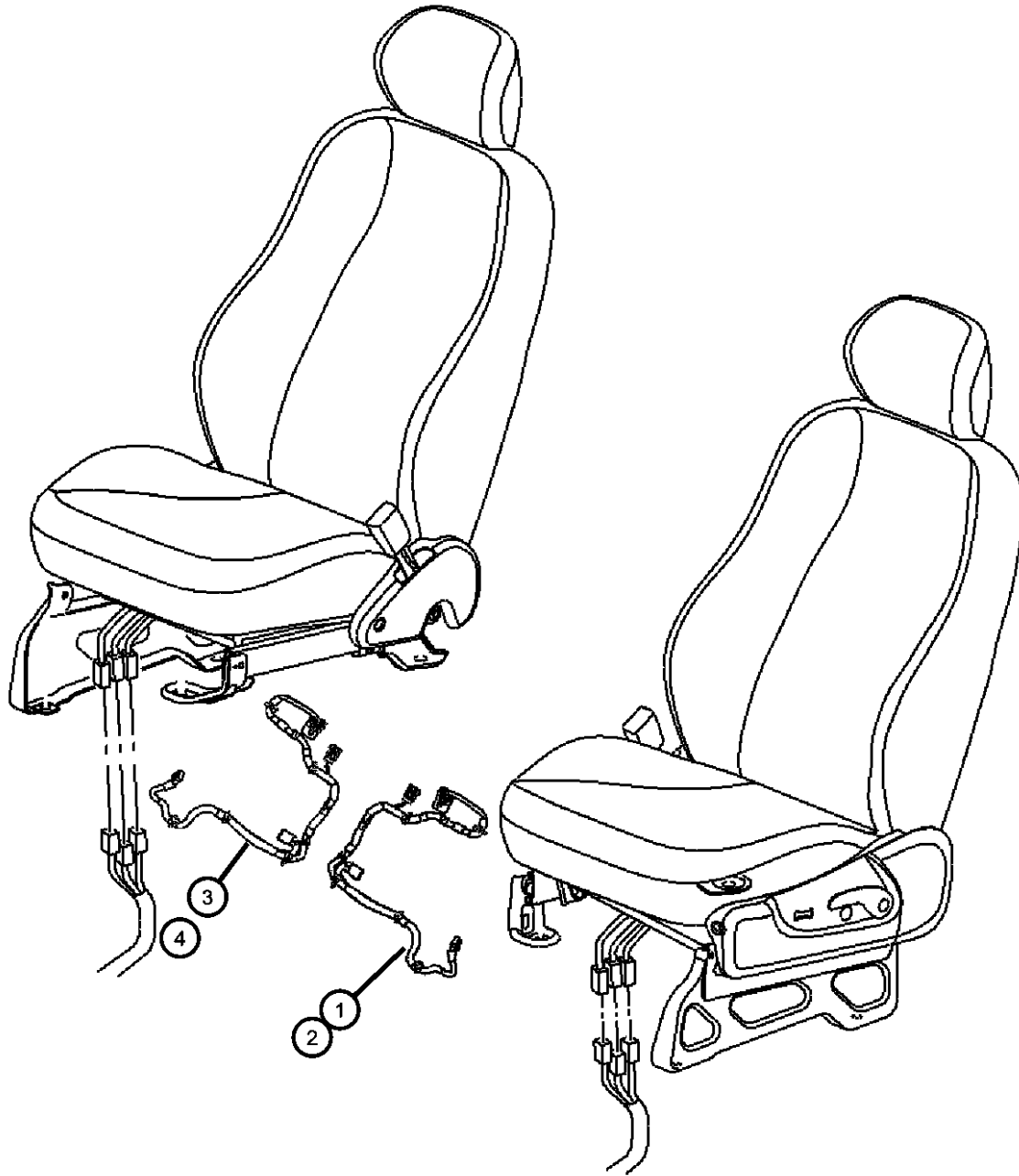
**LIBERTY (KJ)**

SERIES	LINE	BODY	ENGINE	TRANSMISSION
P = LIMITED	J = JEEP - 4WD	74 = SPORT UTILITY 4-DR	ED1 = Engine - 2.4L 4 Cyl DOHC 16v SMPI	DGQ = Transmission-5-Spd Automatic 5-45RFE
H = SPORT	U = JEEP - 4WD (RHD)		EKG = Engine - 3.7L V6	DG6 = Transmission-4-Spd. Automatic, 42RLE
M = RENEGADE	T = JEEP - 2WD		ENR = Engine - 2.8L 4 Cyl Turbo Diesel	DEH = Transmission-6-Speed Manual, NSG370
			ENO = 4CYL turbo diesel	DG0 = Transmissions - All Automatic
				DBB = ALL MANUAL TRANSMISSIONS

AR = use ase required - = Non illustrated part

**Wiring Seats  
Figure 8-1515**

ITEM	PART NUMBER	QTY	LINE	SERIES	BODY	ENGINE	TRANS	TRIM	DESCRIPTION
1	05127457AA	1	J, T						WIRING, Seat [CF5], Left
	05143053AA	1	J, T						[CF5] With Traveling Inboard Seat Buckle, Left
		1	J, U						[CF5] With Traveling Inboard Seat Buckle, Left
2	05142959AA	1	J, T						WIRING, Power Seat [CF5,JPT], Left
		1	J, U						[CF5,JPT], Left
	05143005AA	1	J, T						[CF5,JPT,JPM], Left
		1	J, U						[CF5,JPT,JPM], Left
3	05127460AA	1	J, T						WIRING, Seat [CF5], Right
	05143052AA	1	J, U						[CF5], Right
	05143082AA	1							[CF5] With Traveling Inboard Seat Belt Buckle, Right
4	05142958AA	1	J, T						WIRING, Power Seat [CF5,JPT], Right
	05143004AA	1	J, T						[CF5,JPT,JPM], Right
	05143028AA	1	J, T						[CF5,JPT], Export, Right
		1	J, U						[CF5,JPT], Export, Right
	05143034AA	1	J, T						[CF5,JPT,JPM], Export, Right
		1	J, U						[CF5,JPT,JPM], Export, Right



**LIBERTY (KJ)**

SERIES      LINE  
P = LIMITED      J = JEEP - 4WD  
H = SPORT      U = JEEP - 4WD (RHD)  
M = RENEGADE      T = JEEP - 2WD

BODY  
74 = SPORT UTILITY 4-DR

ENGINE  
ED1 = Engine - 2.4L 4 Cyl  
DOHC 16v SMPI  
EKG = Engine - 3.7L V6  
ENR = Engine - 2.8L 4 Cyl  
Turbo Diesel  
ENO = 4CYL turbo diesel

TRANSMISSION  
DGQ = Transmission-5-Spd Automatic  
5-45RFE  
DG6 = Transmission-4-Spd.  
Automatic, 42RLE  
DEH = Transmission-6-Speed Manual,  
NSG370  
DG0 = Transmissions - All Automatic  
DBB = ALL MANUAL  
TRANSMISSIONS

AR = use ase required - = Non illustrated part

2005 KJ

**Wiring, Repair Package  
Figure 8-1610**

ITEM	PART NUMBER	QTY	LINE	SERIES	BODY	ENGINE	TRANS	TRIM	DESCRIPTION
Notes: [DG4] = All Multi Speed Automatic Transmissions									
-1		1							WIRING PACKAGE, Underhood Connector Repair, For Electrical Connector Repair Information visit the World Wide Web at <a href="http://dto.vftis.com/mopar/disclaimer.asp">http://dto.vftis.com/mopar/disclaimer.asp</a> , (NOT SERVICED), CLIP, Wiring
-2	56021384	2							STRAP, Tie
-3	05073039AA	1	J, U						
		1	U				DG0		
	06016155	3							

For Electrical Connector Repair Information visit the World Wide Web at

<http://dto.vftis.com/mopar/disclaimer.asp>

**LIBERTY (KJ)**

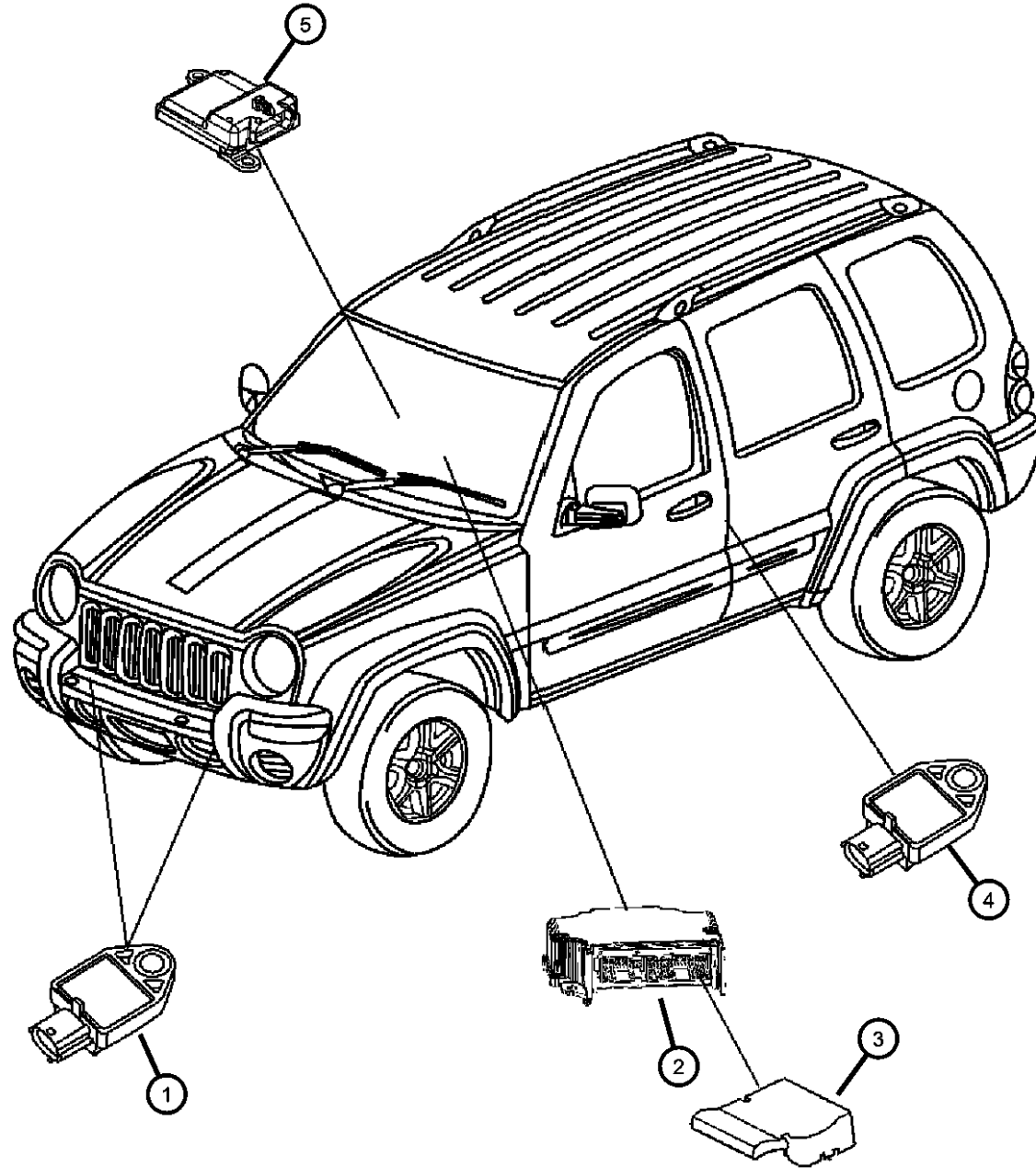
SERIES      LINE  
P = LIMITED      J = JEEP - 4WD  
H = SPORT      U = JEEP - 4WD (RHD)  
M = RENEGADE      T = JEEP - 2WD

BODY  
74 = SPORT UTILITY 4-DR

ENGINE  
ED1 = Engine - 2.4L 4 Cyl DOHC 16v SMPI  
EKG = Engine - 3.7L V6  
ENR = Engine - 2.8L 4 Cyl Turbo Diesel  
ENO = 4CYL turbo diesel

TRANSMISSION  
DGQ = Transmission-5-Spd Automatic 5-45RFE  
DG6 = Transmission-4-Spd. Automatic, 42RLE  
DEH = Transmission-6-Speed Manual, NSG370  
DG0 = Transmissions - All Automatic  
DBB = ALL MANUAL TRANSMISSIONS

**Air Bag Module and Sensors**  
**Figure 8-1705**



ITEM	PART NUMBER	QTY	LINE	SERIES	BODY	ENGINE	TRANS	TRIM	DESCRIPTION
1	05084000AA	2							SENSOR, Air Bag
2	04606944AC	1							MODULE, Occupant Restraint [CG1,CG3,CGS]
	04606946AC	1							[CG1,CG3]
	04606954AA	1							[CG1,CGS]
	04606956AA	1							[CG1]
3	56038787AB	1							COVER, Module
4	05084000AA	2							SENSOR, Air Bag
5	55352877AK	1							MODULE, Occupant Classification

**LIBERTY (KJ)**

SERIES      LINE  
P = LIMITED      J = JEEP - 4WD  
H = SPORT      U = JEEP - 4WD (RHD)  
M = RENEGADE      T = JEEP - 2WD

BODY  
74 = SPORT UTILITY 4-DR

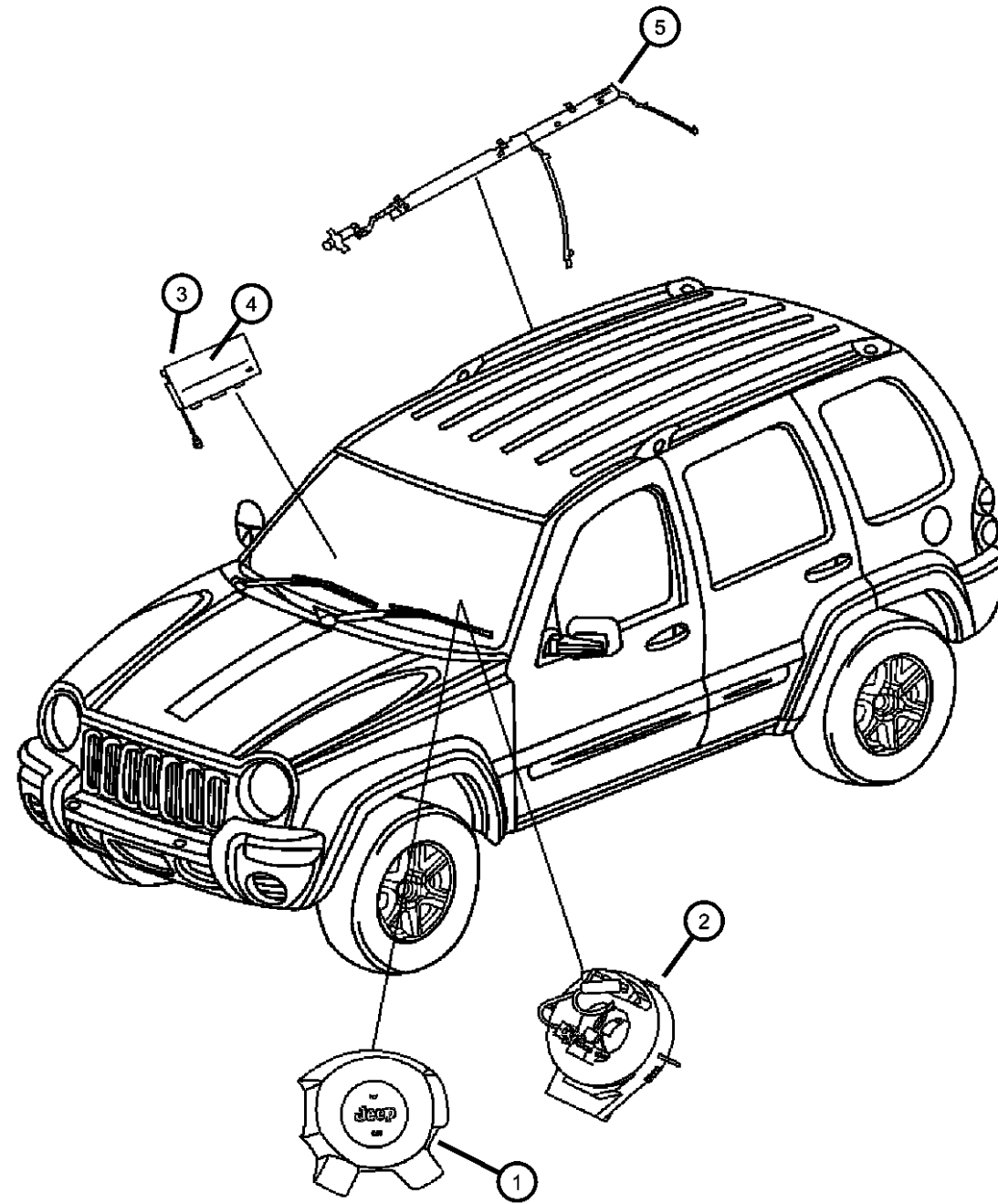
ENGINE  
ED1 = Engine - 2.4L 4 Cyl  
DOHC 16v SMPI  
EKG = Engine - 3.7L V6  
ENR = Engine - 2.8L 4 Cyl  
Turbo Diesel  
ENO = 4CYL turbo diesel

TRANSMISSION  
DGQ = Transmission-5-Spd Automatic  
5-45RFE  
DG6 = Transmission-4-Spd.  
Automatic, 42RLE  
DEH = Transmission-6-Speed Manual,  
NSG370  
DG0 = Transmissions - All Automatic  
DBB = ALL MANUAL  
TRANSMISSIONS

AR = use ase required - = Non illustrated part

2005 KJ

**Air Bags and Clock Spring  
Figure 8-1710**



ITEM	PART NUMBER	QTY	LINE	SERIES	BODY	ENGINE	TRANS	TRIM	DESCRIPTION
1	5JS061DHAD	1		M, P					AIR BAG, Driver D5]
		1		M, P					[DB]
	5JS061J8AD	1		M, P					[J1]
		1		M, P					[J3]
	5JS061X9AD	1		H					
2	56010688AA	1							CLOCKSPRING
3	55315103AA	1							AIR BAG, Passenger
4	0ZE70XDHAB	1	J, T						[D5][XCA]
		1	J, T						[DB][XCA]
		1	J, T						[S5][XCA]
	0ZE70ZJ8AB	1	J, T						[J1][XCA]
		1	J, T						[J3][XCA]
		1	J, T						[D5] Mexico
	5HZ98XD-HAC	1	J, T						[DB] Mexico
		1	J, T						[D5] Export
		1	J, T						[DB] Export
	5HZ98ZJ8AC	1	J, T						[J1] Mexico
		1	J, T						[J3] Mexico
		1	J, T						[J1] Export
		1	J, T					[J3] Export	
5	55315098AC	1							AIR BAG, Side Curtain Right
	55315099AC	1							Left

**LIBERTY (KJ)**

SERIES      LINE  
P = LIMITED      J = JEEP - 4WD  
H = SPORT      U = JEEP - 4WD (RHD)  
M = RENEGADE      T = JEEP - 2WD

BODY  
74 = SPORT UTILITY 4-DR

ENGINE  
ED1 = Engine - 2.4L 4 Cyl  
DOHC 16v SMPI  
EKG = Engine - 3.7L V6  
ENR = Engine - 2.8L 4 Cyl  
Turbo Diesel  
ENO = 4CYL turbo diesel

TRANSMISSION  
DGQ = Transmission-5-Spd Automatic  
5-45RFE  
DG6 = Transmission-4-Spd.  
Automatic, 42RLE  
DEH = Transmission-6-Speed Manual,  
NSG370  
DG0 = Transmissions - All Automatic  
DBB = ALL MANUAL  
TRANSMISSIONS

AR = use ase required - = Non illustrated part

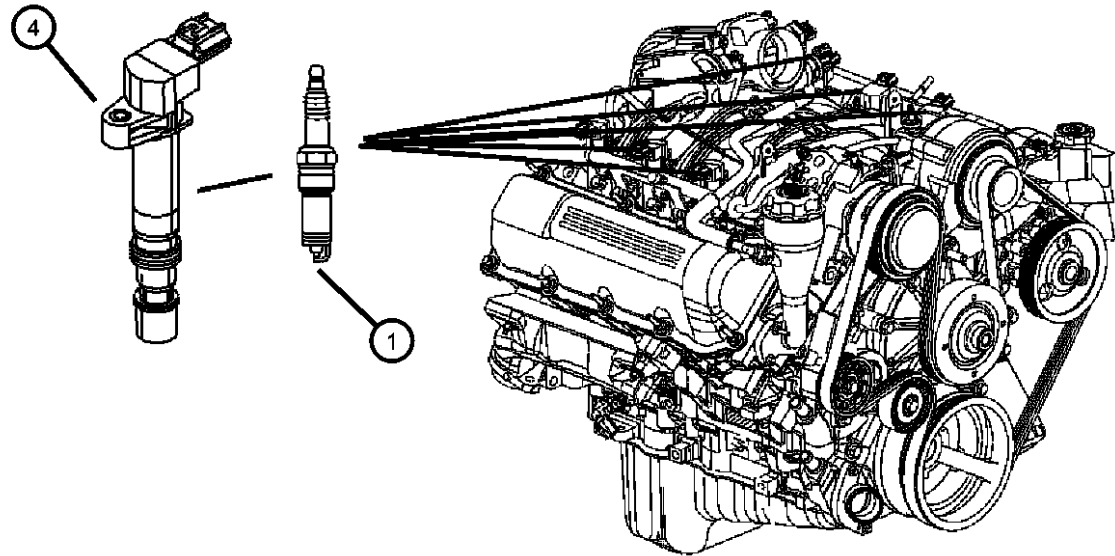
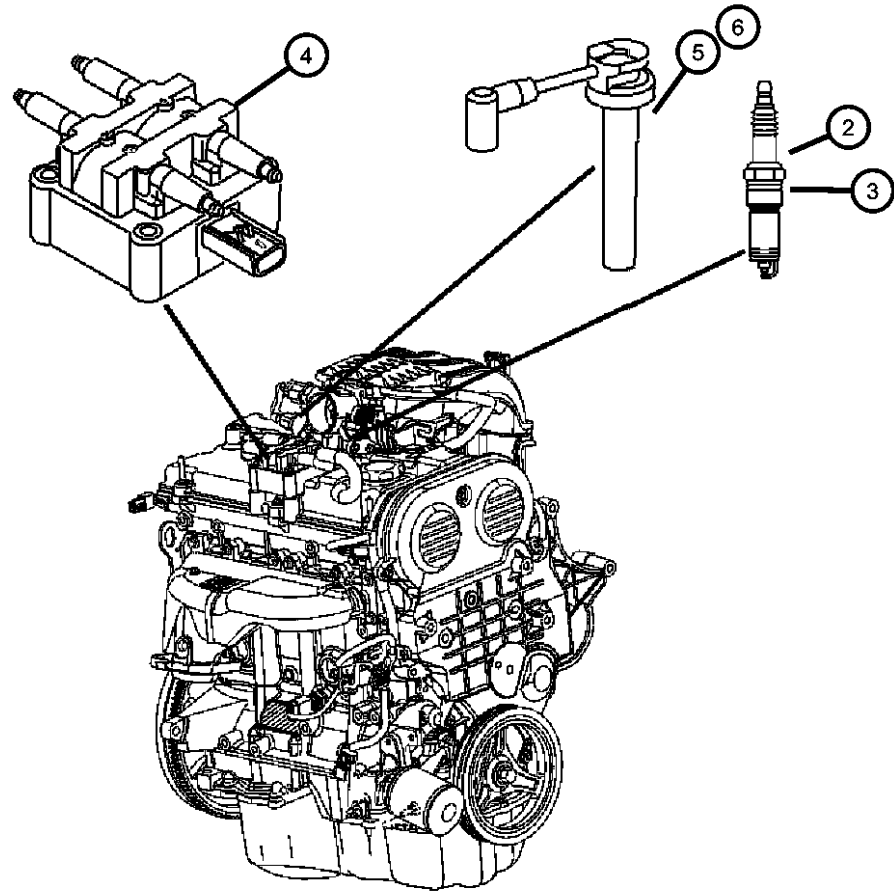
Spark Plug - Coil  
Figure 8-1905

ITEM	PART NUMBER	QTY	LINE	SERIES	BODY	ENGINE	TRANS	TRIM	DESCRIPTION
1	SPZFR6F11G	6				EK0			SPARK PLUG
2	SPLZTR4A11	4				ED0			SPARK PLUG, LZTR4A-11
3	SP00RE16MC	4				ED0			SPARK PLUG, RE16MC
4									COIL, Ignition
	04609103AB	1				ED0			
	56028138AE	6				EK0			
5									CABLE, Ignition
	56041818AD	2				ED0			[#2,3]
	56044075AD	2				ED0			[#1,4]
6									CABLE PACKAGE, Ignition
	05102091AB	2				ED0			[#2,3]
		2				ED0			[#1,4]
-7	06502921	4				ED0			SCREW, Ignition coil mounting
-8	06502921	4							NUT, Coil mounting, (NOT SERVICED)
-9	04693243AA	4				ED0			ISOLATOR
-10	05072382AA	6				EK0			O RING, Coil

Notes:

[ED0]=2.4L 4 Cylinder Engine

[EK0]=3.7L V6 Cylinder Engine



LIBERTY (KJ)

SERIES LINE  
P = LIMITED J = JEEP - 4WD  
H = SPORT U = JEEP - 4WD (RHD)  
M = RENEGADE T = JEEP - 2WD

BODY  
74 = SPORT UTILITY 4-DR

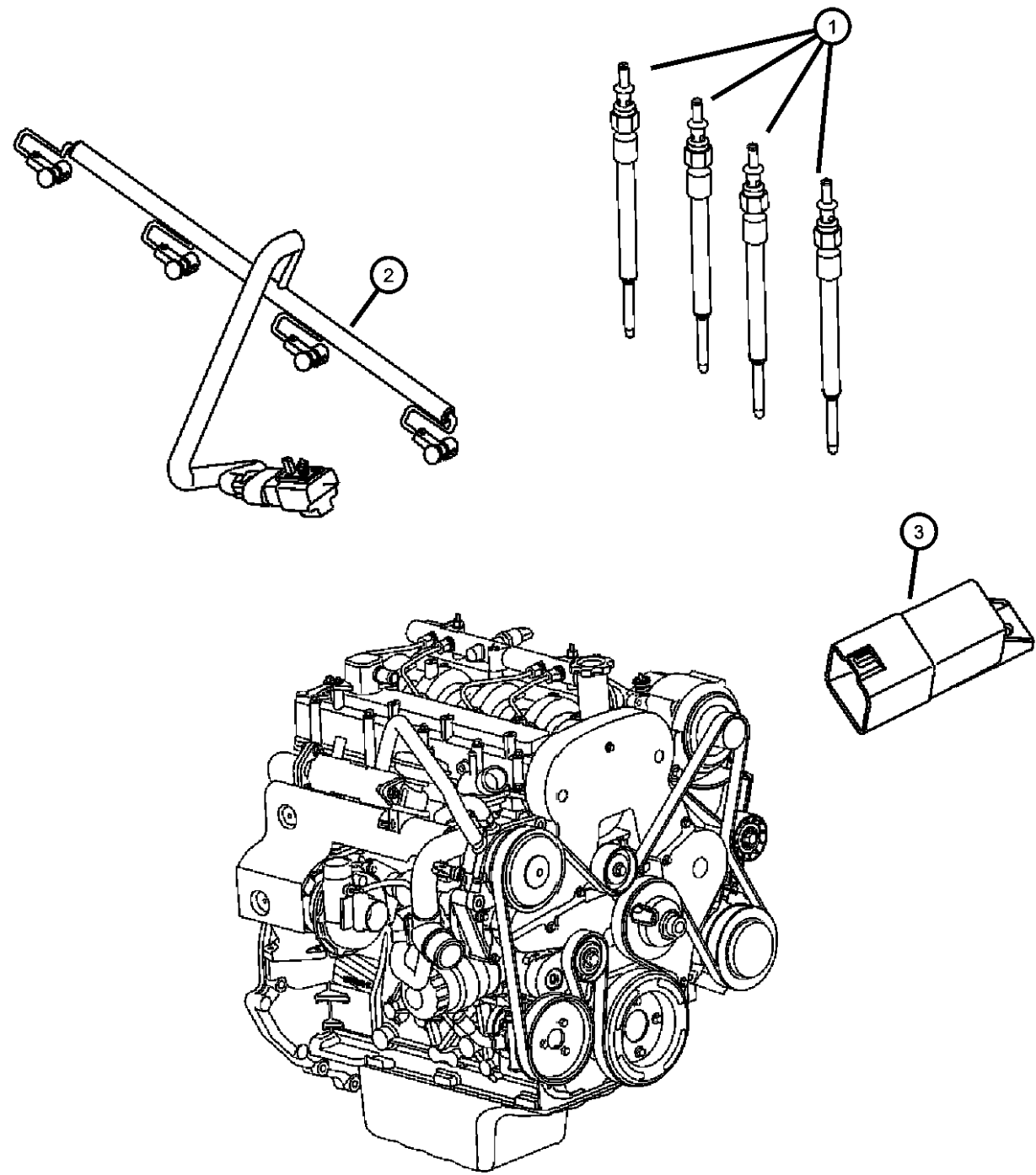
ENGINE  
ED1 = Engine - 2.4L 4 Cyl  
DOHC 16v SMPI  
EKG = Engine - 3.7L V6  
ENR = Engine - 2.8L 4 Cyl  
Turbo Diesel  
ENO = 4CYL turbo diesel

TRANSMISSION  
DGQ = Transmission-5-Spd Automatic  
5-45RFE  
DG6 = Transmission-4-Spd.  
Automatic, 42RLE  
DEH = Transmission-6-Speed Manual,  
NSG370  
DG0 = Transmissions - All Automatic  
DBB = ALL MANUAL  
TRANSMISSIONS

AR = use ase required - = Non illustrated part

2005 KJ

Glow Plugs  
Figure 8-1910



ITEM	PART NUMBER	QTY	LINE	SERIES	BODY	ENGINE	TRANS	TRIM	DESCRIPTION
1	05142577AA	4				EN0	DG0		PLUG, Glow
		4				EN0	DBB		
2	05142576AA	1				EN0	DG0		WIRE, Glow Plug
		1				EN0	DBB		
3	56044671AA	1				EN0			MODULE, Glow Plug

LIBERTY (KJ)

SERIES      LINE  
P = LIMITED      J = JEEP - 4WD  
H = SPORT      U = JEEP - 4WD (RHD)  
M = RENEGADE      T = JEEP - 2WD

BODY  
74 = SPORT UTILITY 4-DR

ENGINE  
ED1 = Engine - 2.4L 4 Cyl  
DOHC 16v SMPI  
EKG = Engine - 3.7L V6  
ENR = Engine - 2.8L 4 Cyl  
Turbo Diesel  
ENO = 4CYL turbo diesel

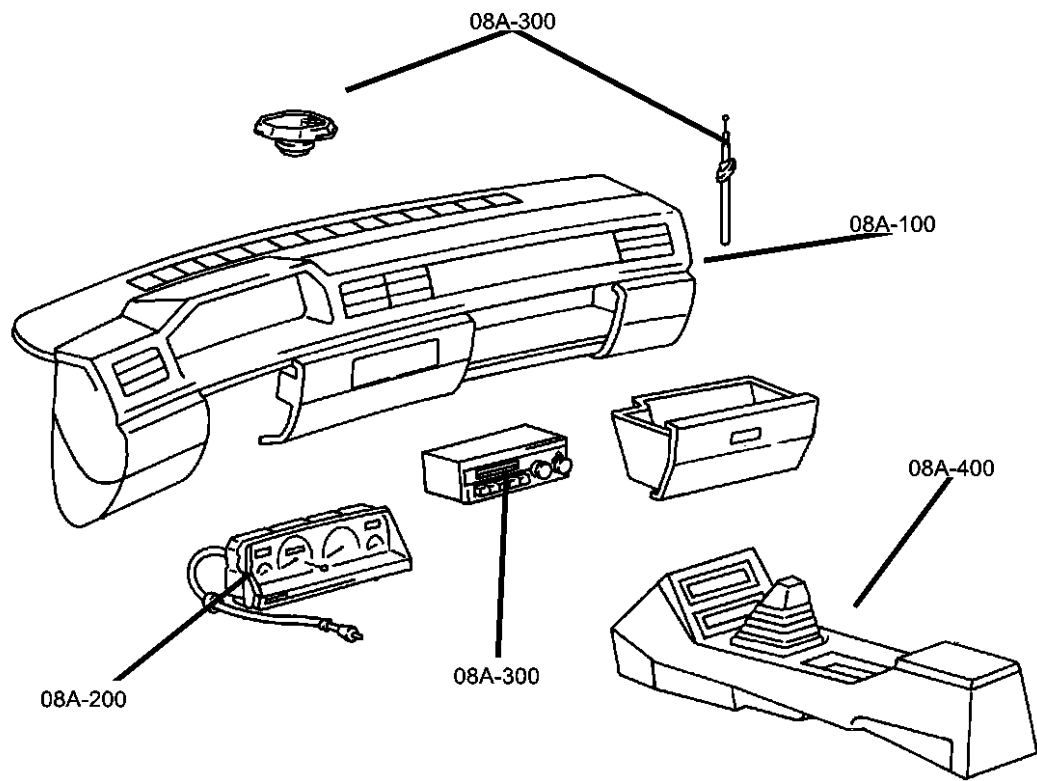
TRANSMISSION  
DGQ = Transmission-5-Spd Automatic  
5-45RFE  
DG6 = Transmission-4-Spd.  
Automatic, 42RLE  
DEH = Transmission-6-Speed Manual,  
NSG370  
DG0 = Transmissions - All Automatic  
DBB = ALL MANUAL  
TRANSMISSIONS

AR = use ase required - = Non illustrated part

2005 KJ

# Group - 08A

## Instrument Panel and Radios and Consoles



## Group - 08A Instrument Panel and Radios and Consoles

Illustration Title

Group-Fig. No.

### Instrument Panel

Instrument Panel ..... Fig. 08A - 110

### Instrument Panel Cluster

Instrument Panel Cluster ..... Fig. 08A - 210

### Radio, Antenna, and Speakers

Radios..... Fig. 08A - 310

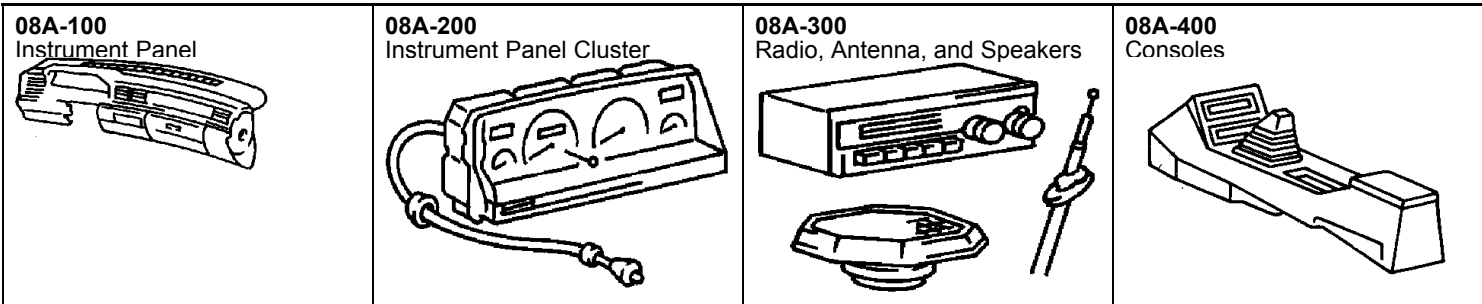
Speakers..... Fig. 08A - 320

Antenna..... Fig. 08A - 330

### Consoles

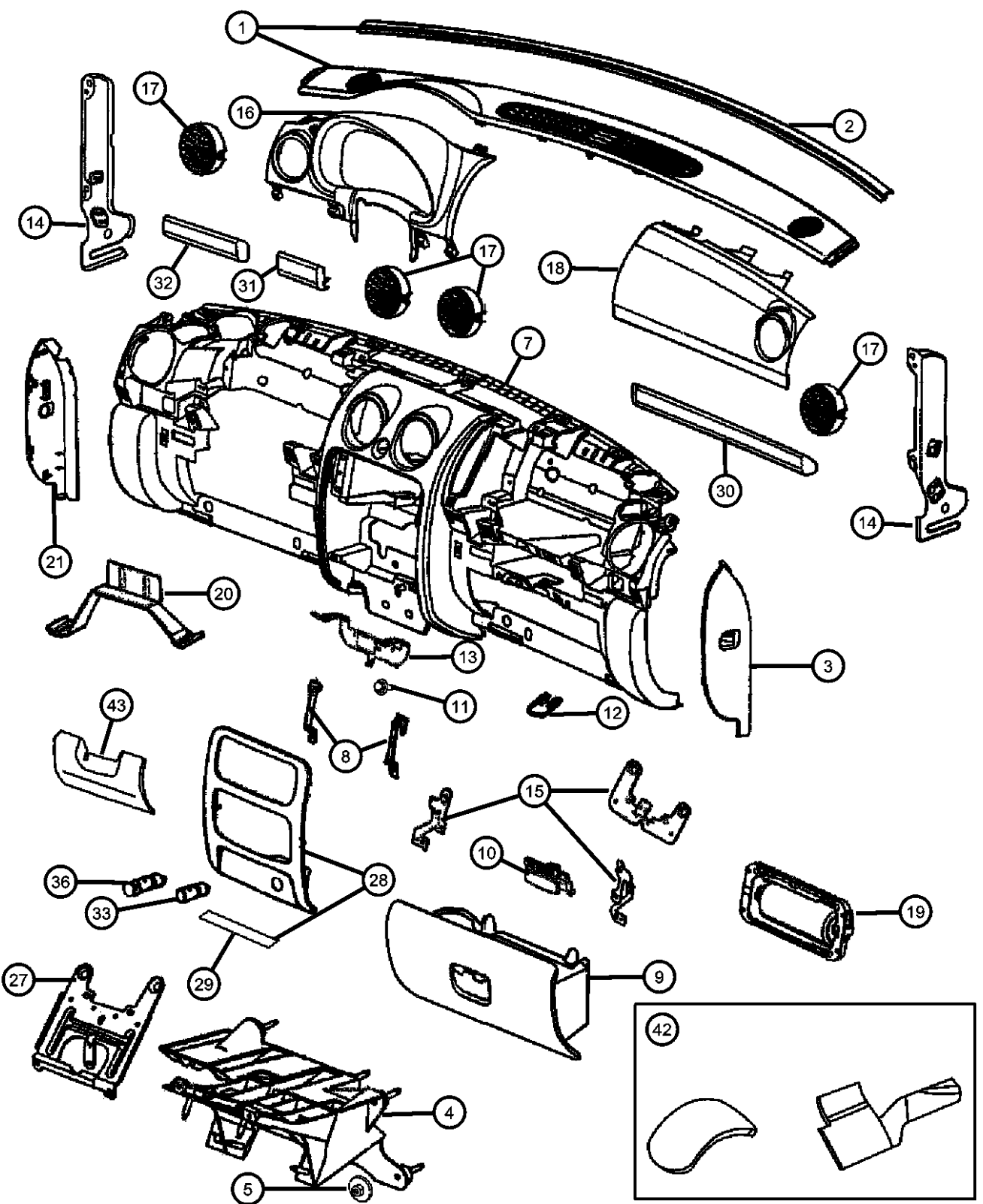
Console, Overhead ..... Fig. 08A - 410

Console, Floor..... Fig. 08A - 420





Instrument Panel  
Figure 08A-110

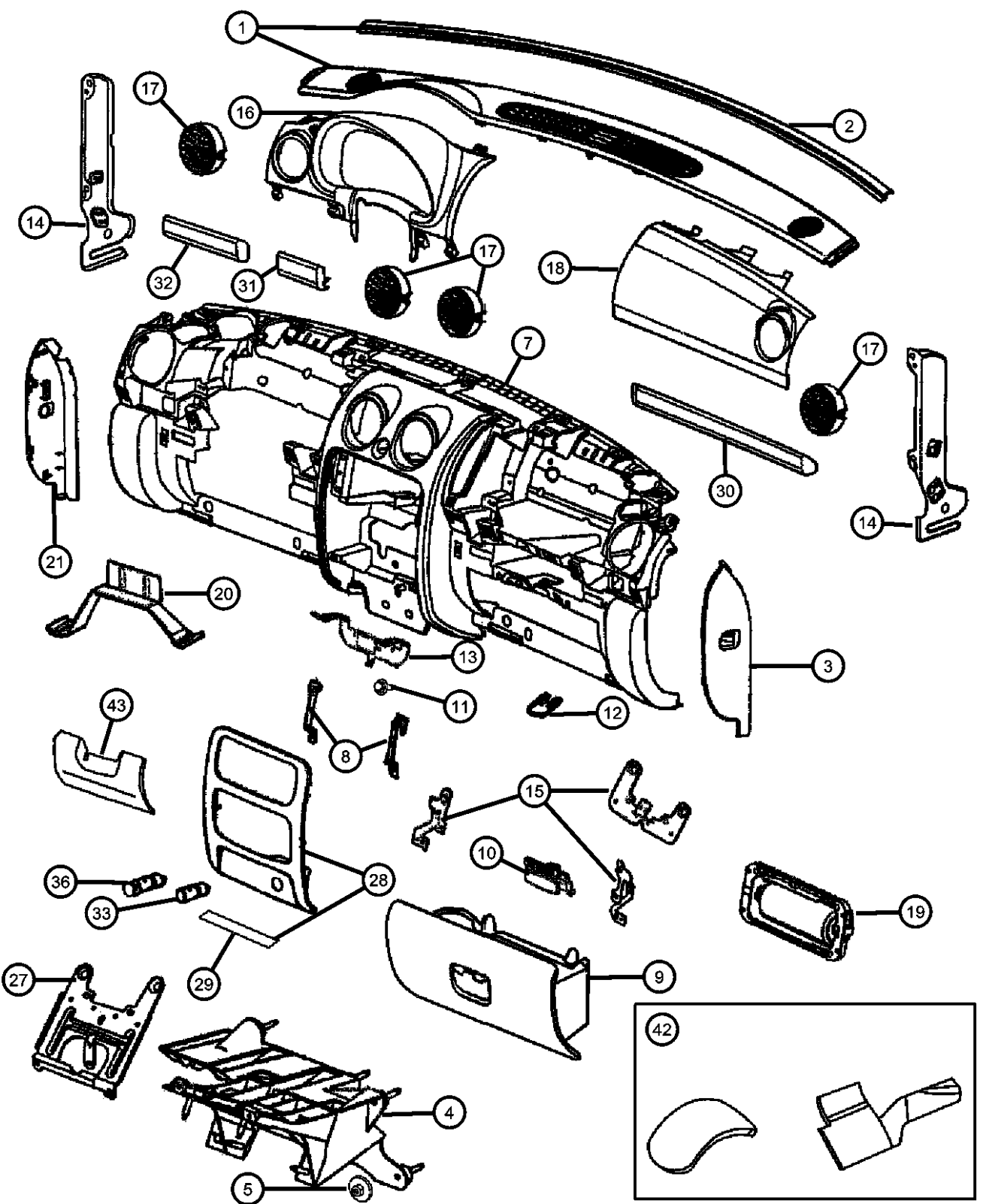


ITEM	PART NUMBER	QTY	LINE	SERIES	BODY	ENGINE	TRANS	TRIM	DESCRIPTION
1	5GD54XD-HAD	1	J, T						COVER, Instrument Panel [D5]
	5GD54ZJ8AD	1	J, T						[D8]
		1	J, T						[J1]
		1	J, T						[J3]
2		1							SEAL, Instrument Panel, (NOT SERVICED),
3	5GN55XD-HAD	1	J, T						COVER, Instrument Panel Opening [D5]
	5GN55ZJ8AD	1	J, T						[D8]
		1	J, T						[J1]
		1	J, T						[J3]
4	55314987AA	1	J, T						BRACKET, Steering Column
	55314988AA	1	U						Comes with 11 Studs, Lower
5	06506232AA	2							Comes with 11 Studs, Lower
-6	06101826	2							NUT
		2							SCREW, M6x1x20
									To Upper Support Bracket, Steering Column Lower
									Support Bracket to Instrument Panel, Steering Column Lower
7	0ZE85XDHAB	1	J, T						PANEL, Instrument [D5]
	0ZE85ZJ8AB	1	J, T						[D8]
	0ZE87XDHAB	1	U						[J1]
	0ZE87ZJ8AB	1	U						[J3]
	5JX85XDHAC	1	J, T						[D5], Right Hand Drive
	5JX85ZJ8AC	1	J, T						[D8], Right Hand Drive
		1	U						[J1], Right Hand Drive
		1	U						[J3], Right Hand Drive
		1	J, T						[D5], Standard
		1	J, T						[D8], Standard
		1	J, T						[J1], Standard

**LIBERTY (KJ)**  
 SERIES LINE BODY ENGINE TRANSMISSION  
 P = LIMITED J = JEEP - 4WD 74 = SPORT UTILITY 4-DR ED1 = Engine - 2.4L 4 Cyl DOHC 16v SMPI DGQ = Transmission-5-Spd Automatic 5-45RFE  
 H = SPORT U = JEEP - 4WD (RHD) EKG = Engine - 3.7L V6 DG6 = Transmission-4-Spd. Automatic, 42RLE  
 M = RENEGADE T = JEEP - 2WD ENR = Engine - 2.8L 4 Cyl Turbo Diesel DEH = Transmission-6-Speed Manual, NSG370  
 ENO = 4CYL turbo diesel DG0 = Transmissions - All Automatic DBB = ALL MANUAL TRANSMISSIONS

AR = use ase required - = Non illustrated part

Instrument Panel  
Figure 08A-110



ITEM	PART NUMBER	QTY	LINE	SERIES	BODY	ENGINE	TRANS	TRIM	DESCRIPTION
8		1	J, T						[J3], Standard BRACKET, Radio
	05072596AA	1	U						Kit Contains Right and Left Brackets
9		1	J, T						Kit Contains Right and Left Brackets GLOVE BOX, Instrument Panel
	0ZE71XDHAB	1	U						[D5]
		1	U						[DB]
		1	J, T						[D5]
		1	J, T						[DB]
	0ZE71ZJ8AB	1	U						[J1]
		1	U						[J3]
		1	J, T						[J1]
		1	J, T						[J3]
10		1	U						LATCH, Glovebox Door
	0WQ54XD-HAA	1	U						[D5]
		1	U						[DB]
		1	J, T						[D5]
		1	J, T						[DB]
	0WQ54ZJ8AA	1	U						[J1]
		1	U						[J3]
		1	J, T						[J1]
		1	J, T						[J3]
11	06101945	6	J, T						SCREW
12		1	U						STRIKER, Glove Box Door Latch
	05072605AA	1	U						
		1	J, T						
13		1	U						BRACKET, Audio Equipment
	05072606AA	1	U						Center
		1	J, T						Center
14		1	J, T						BRACKET, Instrument Panel

**LIBERTY (KJ)**  
 SERIES            LINE  
 P = LIMITED      J = JEEP - 4WD  
 H = SPORT        U = JEEP - 4WD (RHD)  
 M = RENEGADE   T = JEEP - 2WD

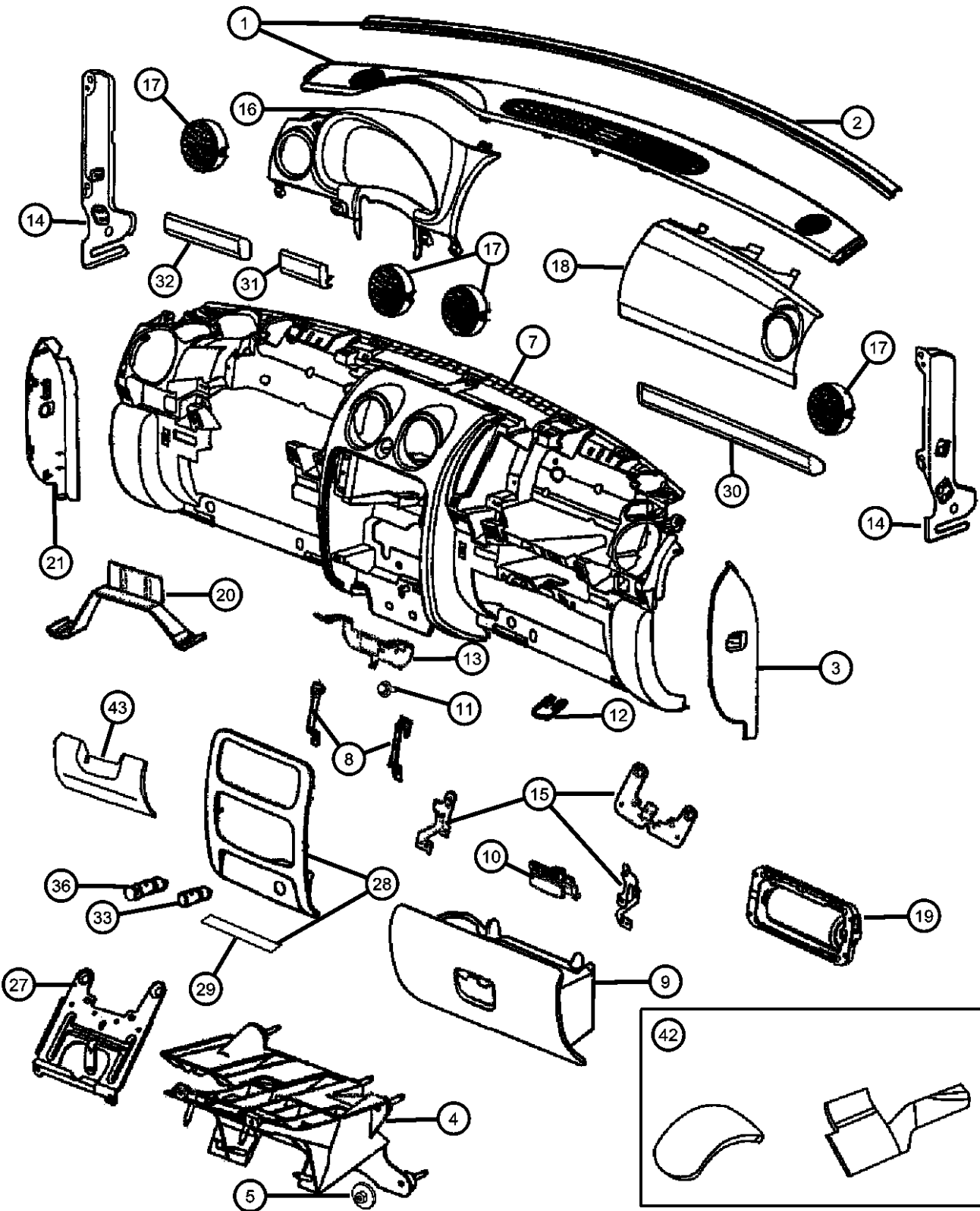
**BODY**  
 74 = SPORT UTILITY 4-DR

**ENGINE**  
 ED1 = Engine - 2.4L 4 Cyl  
 DOHC 16v SMPI  
 EKG = Engine - 3.7L V6  
 ENR = Engine - 2.8L 4 Cyl  
 Turbo Diesel  
 ENO = 4CYL turbo diesel

**TRANSMISSION**  
 DGQ = Transmission-5-Spd Automatic  
 5-45RFE  
 DG6 = Transmission-4-Spd.  
 Automatic, 42RLE  
 DEH = Transmission-6-Speed Manual,  
 NSG370  
 DG0 = Transmissions - All Automatic  
 DBB = ALL MANUAL  
 TRANSMISSIONS

AR = use ase required - = Non illustrated part

Instrument Panel  
Figure 08A-110

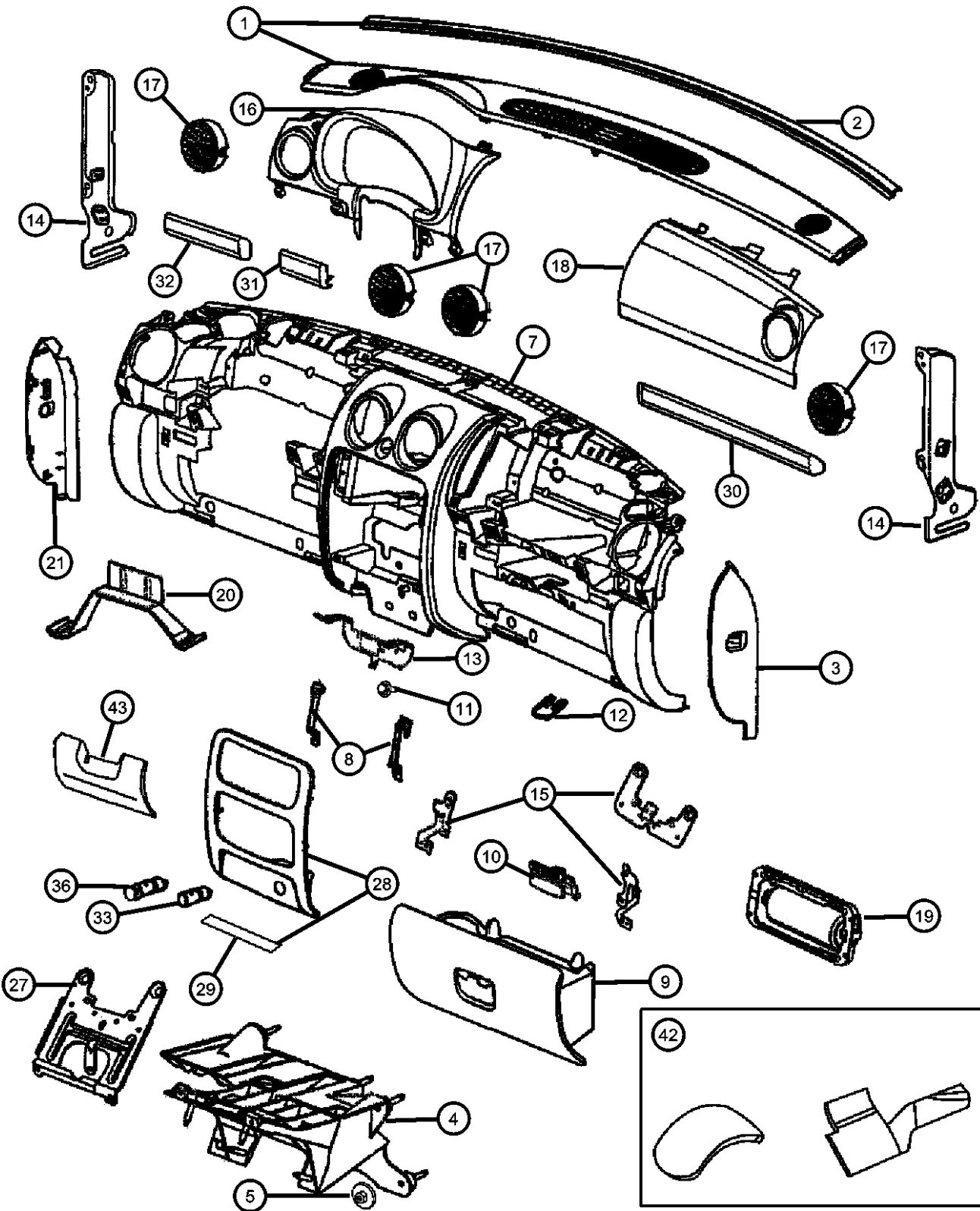


ITEM	PART NUMBER	QTY	LINE	SERIES	BODY	ENGINE	TRANS	TRIM	DESCRIPTION
	05073523AA	1	J, T						Right End, Left Hand Drive
	56052063AB	1	U						Right End,
	56052064AB	1	U						Left End
		1	J, T						Left End
15									BRACKET, Air Bag
	56052057AB	1	J, T						Passenger Air Bag
	56052058AB	1	U						Center, Left
	56052059AB	1	J, T						Inboard
	56052060AB	1	U						Right
	56052061AB	1	J, T						Outboard
	56052062AB	1	U						Left
16									BEZEL, Cluster
	0WD13XD-HAA	1	U						[D5]
		1	U						[DB]
	0WD13ZJ8AA	1	U						[J1]
		1	U						[J3]
	5JA36XDHAB	1	J, T						[D5]
		1	J, T						[DB]
	5JA36ZJ8AB	1	J, T						[J1]
		1	J, T						[J3]
17									OUTLET, Air Conditioning & Heater
	0WC88DX9AB	4		P					Black
		4		H, M					Black
	0WC88XD-HAB	4		P					[D5]
		4		P					[DB]
		4		H, M					[D5]
		4		H, M					[D5]
	0WC88ZJ8AB	4		P					[J1]
		4		P					[J3]
		4		H, M					[J1]
		4		H, M					[J3]

**LIBERTY (KJ)**  
 SERIES LINE BODY ENGINE TRANSMISSION  
 P = LIMITED J = JEEP - 4WD BODY 74 = SPORT UTILITY 4-DR ED1 = Engine - 2.4L 4 Cyl DOHC 16v SMPI DGQ = Transmission-5-Spd Automatic 5-45RFE  
 H = SPORT U = JEEP - 4WD (RHD) ENR = Engine - 3.7L V6 EKG = Engine - 3.7L V6 DOHC 16v SMPI DG6 = Transmission-4-Spd. Automatic, 42RLE  
 M = RENEGADE T = JEEP - 2WD ENR = Engine - 2.8L 4 Cyl Turbo Diesel DEH = Transmission-6-Speed Manual, NSG370  
 ENO = 4CYL turbo diesel DG0 = Transmissions - All Automatic DBB = ALL MANUAL TRANSMISSIONS

AR = use ase required - = Non illustrated part

Instrument Panel  
Figure 08A-110

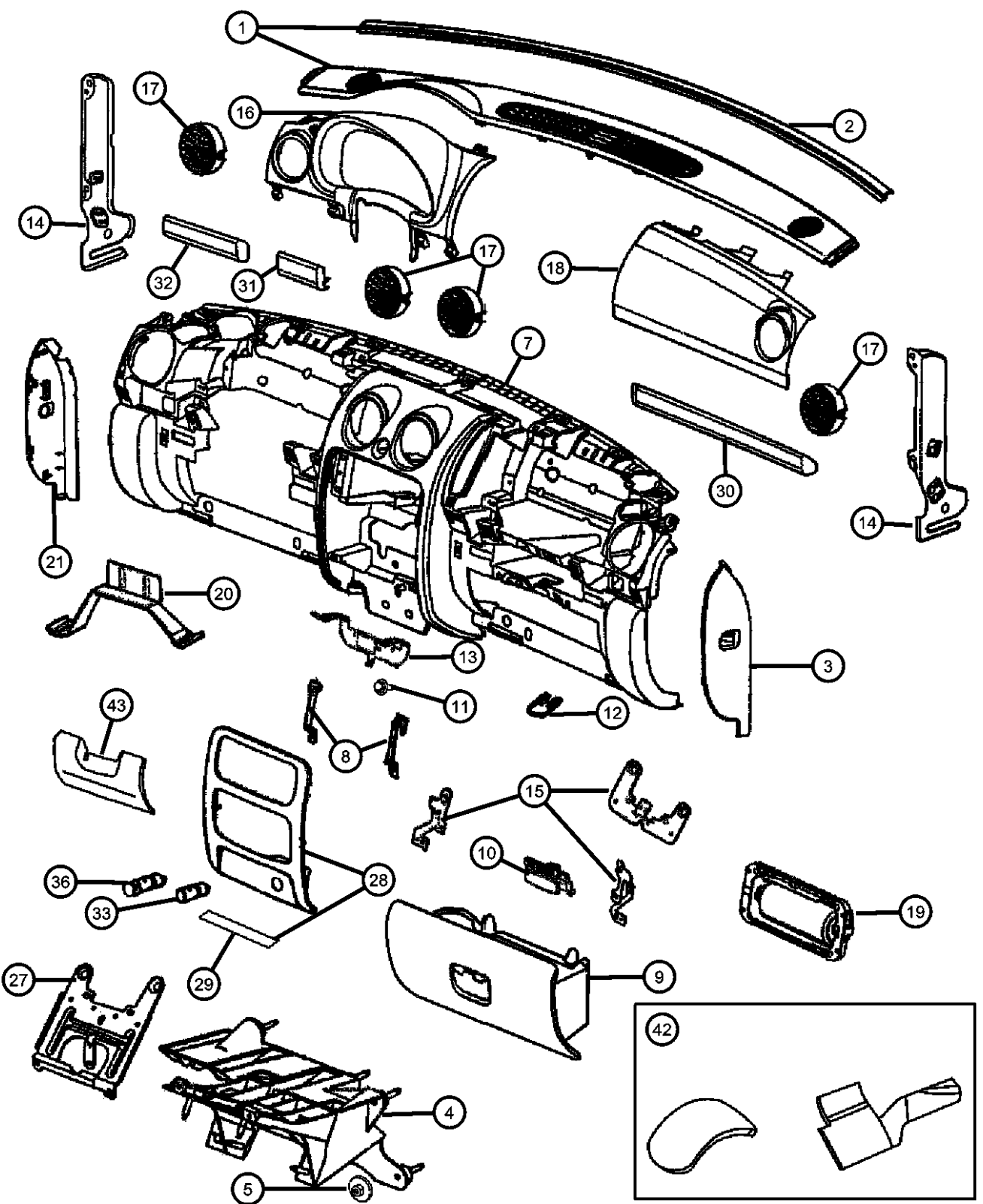


ITEM	PART NUMBER	QTY	LINE	SERIES	BODY	ENGINE	TRANS	TRIM	DESCRIPTION
18	0WD14XD-HAC	1	U						DOOR, Passenger Air Bag, Air Outlet Included (Heat Staked) [D5]
	0WD14ZJ8AC	1	U						[DB]
	0ZE70XDHAB	1	J, T						[J1]
		1	U						[J3]
		1	J, T						[D5][XCA]
		1	J, T						[DB][XCA]
	0ZE70ZJ8AB	1	J, T						[S5][XCA]
		1	J, T						[J3][XCA]
		1	J, T						[J1][XCA]
	5HZ98XD-HAC	1	J, T						[D5]Mexico
		1	J, T						[DB]Mexico
	5HZ98ZJ8AC	1	J, T						[J1]Mexico
		1	J, T						[J3]Mexico
19	55315103AD	1							AIR BAG, Passenger
20	55037453AC	1							BRACKET, Instrument Panel To Floor
21									COVER, Fuse Access
	5GK19XD-HAD	1	J, T						[D5]
		1	J, T						[D8]
	5GK19ZJ8AD	1	J, T						[J1]
		1	J, T						[J3]
-22									PULLER, Fuse
	05072937AA	1	U						
-23	000ATM10	1	J, T						FUSE, Mini, 10 AMP, Red
-24	000ATM15	1	J, T						FUSE, Mini, 15 AMP, Light Blue
-25	000ATM20	1	J, T						FUSE, Mini, 20 AMP, Yellow
-26									PANEL, Knee Blocker
	5JF63XDHAC	1							[D5]

**LIBERTY (KJ)**  
 SERIES LINE BODY ENGINE TRANSMISSION  
 P = LIMITED J = JEEP - 4WD 74 = SPORT UTILITY 4-DR ED1 = Engine - 2.4L 4 Cyl DOHC 16v SMPI DGQ = Transmission-5-Spd Automatic 5-45RFE  
 H = SPORT U = JEEP - 4WD (RHD) EKG = Engine - 3.7L V6 DG6 = Transmission-4-Spd. Automatic, 42RLE  
 M = RENEGADE T = JEEP - 2WD ENR = Engine - 2.8L 4 Cyl Turbo Diesel DEH = Transmission-6-Speed Manual, NSG370  
 ENO = 4CYL turbo diesel DG0 = Transmissions - All Automatic DBB = ALL MANUAL TRANSMISSIONS

AR = use ase required - = Non illustrated part

Instrument Panel  
Figure 08A-110



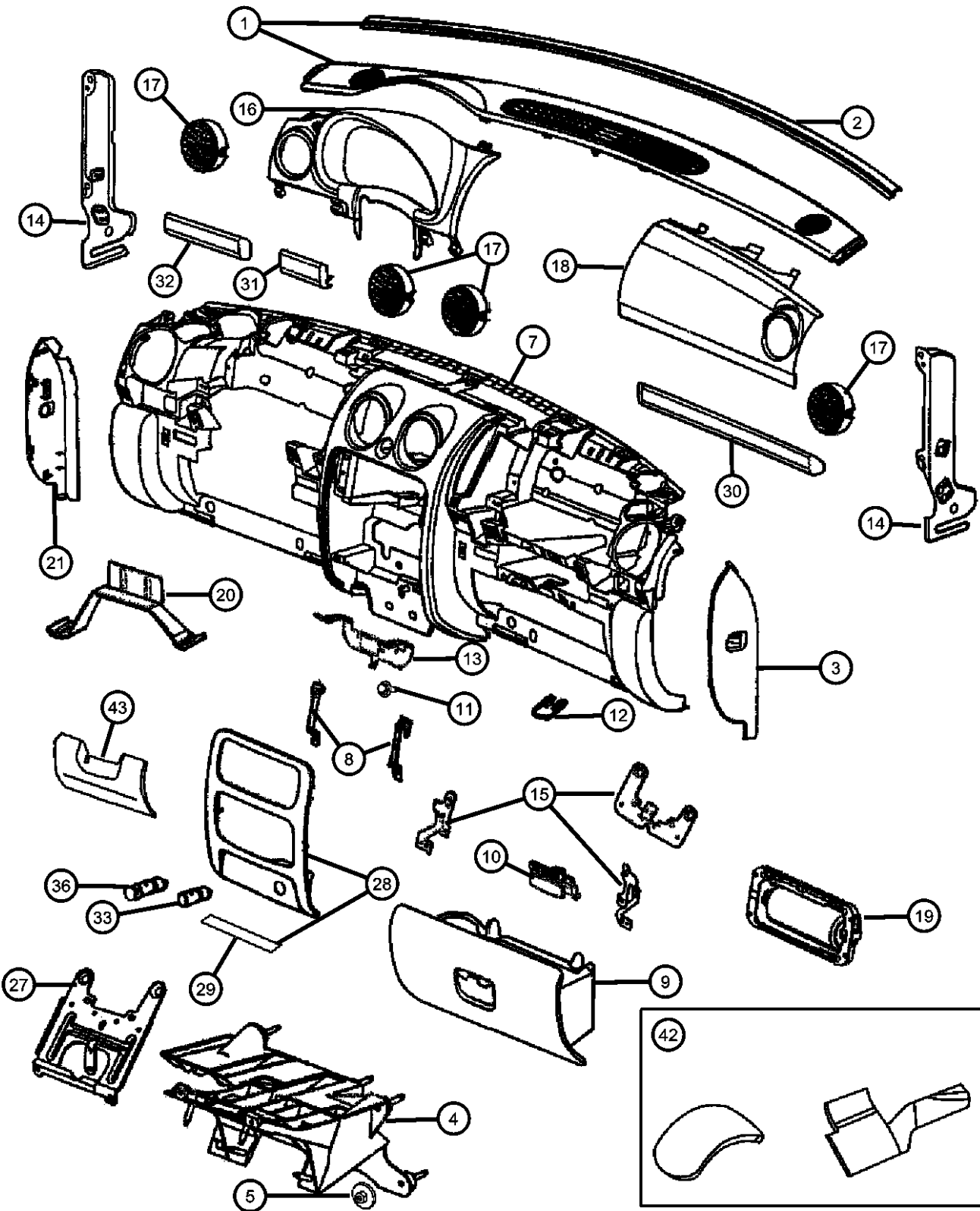
ITEM	PART NUMBER	QTY	LINE	SERIES	BODY	ENGINE	TRANS	TRIM	DESCRIPTION
		1							[D8]
	5JF63ZJ8AC	1							[J1]
		1							[J3]
27									BRACKET, Steering Column
	55314992AA	1	J, T						Upper, Left Hand Drive
	55315011AA	1	U						Upper, Right Hand Drive
28									BEZEL, Instrument Panel, Center
	1AX30AAAA	1		M					Center
	5KC22XZAAA	1		P					Center
	5KD13DX9AA	1		H					Center
29	55116992AA	1							PAD, Instrument Panel
30									BEZEL, Instrument Panel
	5KD06XD-HAA	1	J, T						[D5], Passenger
		1	J, T						[D8], Passenger
	5KD06ZJ8AA	1	J, T						[J1], Passenger
		1	J, T						[J3], Passenger
	5KD12XD-HAA	1	U						[D5], Passenger
		1	U						[DB], Passenger
31									BEZEL, Instrument Panel
	5KD05XD-HAA	1	J, T						[D5], Inboard
		1	J, T						[D8], Inboard
	5KD05ZJ8AA	1	J, T						[J1], Inboard
		1	J, T						[J3], Inboard
	5KD10XD-HAA	1	U						[D5], Inboard
		1	U						[D8], Inboard
	5KD10ZJ8AA	1	U						[J1], Inboard
		1	U						[J3], Inboard
	5KD11XDHAA	1	U						[D5] [JKL], Inboard
		1	U						[DB] [JKL], Inboard
32									BEZEL, Instrument Panel

**LIBERTY (KJ)**  
 SERIES LINE BODY ENGINE TRANSMISSION  
 P = LIMITED J = JEEP - 4WD 74 = SPORT UTILITY 4-DR ED1 = Engine - 2.4L 4 Cyl DOHC 16v SMPI DGQ = Transmission-5-Spd Automatic 5-45RFE  
 H = SPORT U = JEEP - 4WD (RHD) EKG = Engine - 3.7L V6 DG6 = Transmission-4-Spd. Automatic, 42RLE  
 M = RENEGADE T = JEEP - 2WD ENR = Engine - 2.8L 4 Cyl Turbo Diesel DEH = Transmission-6-Speed Manual, NSG370  
 ENO = 4CYL turbo diesel DG0 = Transmissions - All Automatic DBB = ALL MANUAL TRANSMISSIONS

AR = use ase required - = Non illustrated part



Instrument Panel  
Figure 08A-110



ITEM	PART NUMBER	QTY	LINE	SERIES	BODY	ENGINE	TRANS	TRIM	DESCRIPTION
	05140877AA	4	J, T						
		1	U						
42	55037718AC	1	J, T			ENO			INSULATION, Dash Panel
43									PANEL, Knee Blocker
	5JF63XDHAC	1							[D5]
		1							[D8]
	5JF63ZJ8AC	1							[J1]
		1							[J3]
-44									HANDLE, Grab
	5KD07XD-HAA	1	J, T						[D5]
		1	J, T						[DB]
	5KD07ZJ8AA	1	J, T						[J1]
		1	J, T						[J3]

LIBERTY (KJ)

SERIES LINE  
P = LIMITED J = JEEP - 4WD  
H = SPORT U = JEEP - 4WD (RHD)  
M = RENEGADE T = JEEP - 2WD

BODY  
74 = SPORT UTILITY 4-DR

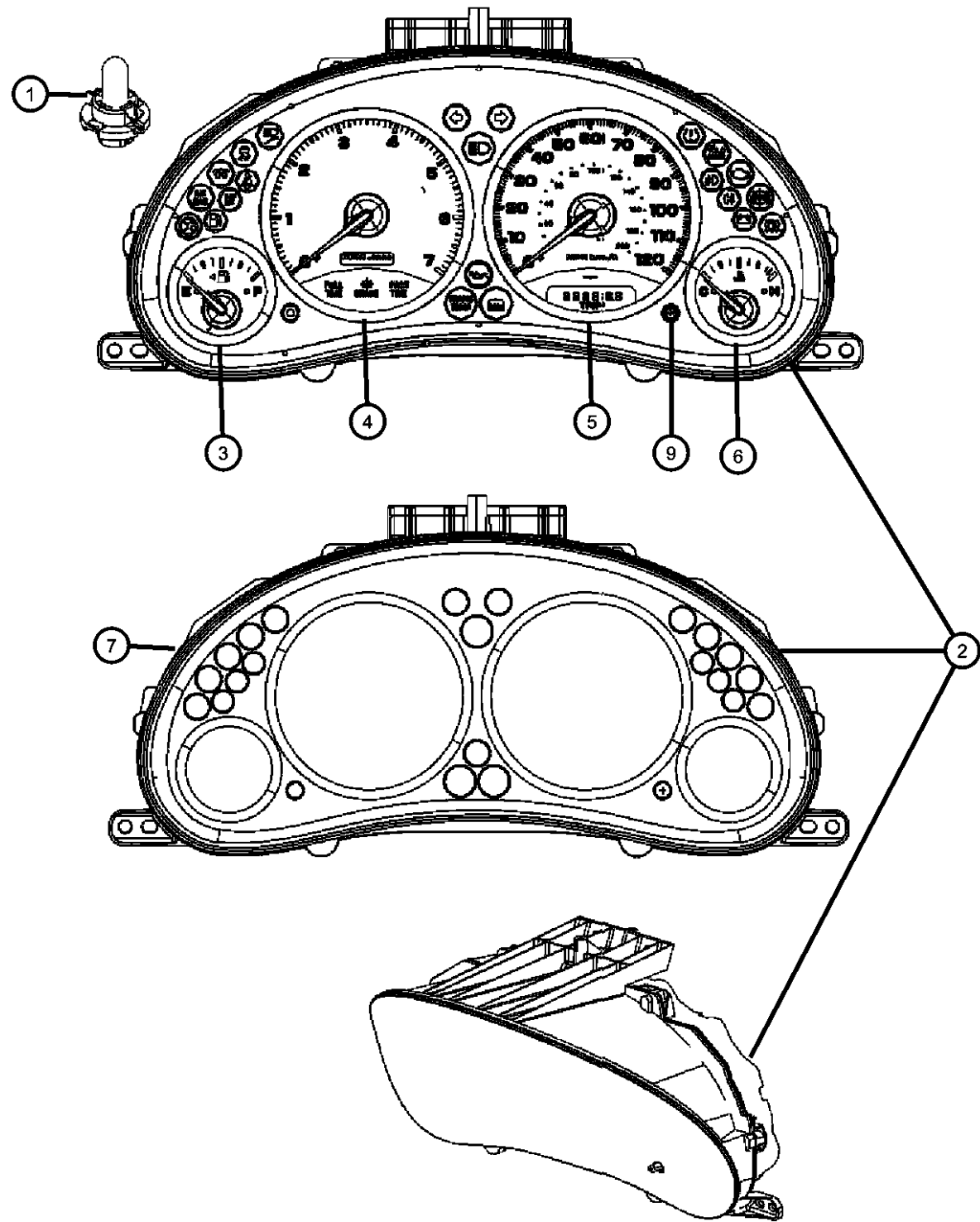
ENGINE  
ED1 = Engine - 2.4L 4 Cyl  
DOHC 16v SMPI  
EKG = Engine - 3.7L V6  
ENR = Engine - 2.8L 4 Cyl  
Turbo Diesel  
ENO = 4CYL turbo diesel

TRANSMISSION  
DGQ = Transmission-5-Spd Automatic  
5-45RFE  
DG6 = Transmission-4-Spd.  
Automatic, 42RLE  
DEH = Transmission-6-Speed Manual,  
NSG370  
DG0 = Transmissions - All Automatic  
DBB = ALL MANUAL  
TRANSMISSIONS

AR = use ase required - = Non illustrated part

2005 KJ

**Instrument Panel Cluster  
Figure 08A-210**



ITEM	PART NUMBER	QTY	LINE	SERIES	BODY	ENGINE	TRANS	TRIM	DESCRIPTION
Notes:									
[ED0] = All 2.2,2.5,2.4L 4 Cylinder Engines									
[EK0] = All 3.7L 6 Cylinder Gas Engines									
[EN0] = All 4/5 Cylinder Turbo Diesel Engines									
[JA2] = Instrument Cluster with Tach									
[JAY] = Instrument Cluster with Tach									
[JCB] = Speedometer 120 MPH Primary									
[JDJ] = Speedometer 240 KPH Primary									
[JDR] = Speedometer 240 KPH									
[ABU] = United Kingdom Equipment Group									
1									BULB AND SOCKET
	04839738AA	9				ED0, EK0			
		9				EN0			
2									CLUSTER, Complete Cluster Assembly w/Lens, Circuit Board, Odometer Knob, Bulbs & Gauges
	56010528AF	1				ED0, EK0			[JAY+JCB-ABU]
	56010529AF	1				ED0, EK0			[JAY+JCB+ABU]
	56010530AF	1				ED0, EK0			[JA2+JCB-ABU]
	56010531AF	1				ED0, EK0			[JA2+JCB+ABU]
	56010532AF	1				ED0, EK0			[JAY+JDJ]
	56010535AF	1				ED0, EK0			[JA2+JDJ]
	56010536AF	1				ED0, EK0			[JAY+JDR]
	56010537AF	1				ED0, EK0			[JA2+JDR]
	56010538AF	1				EN0			[JAY+JCB+ABU]
	56010539AF	1				EN0			[JA2+JCB+ABU]
	56010540AF	1				EN0			[JAY+JDJ] Black Ring
	56010541AF	1				EN0			[JA2+JDJ] Chrome Ring
	56010542AF	1				EN0			[JAY+JDJ] Black Ring without Secondary
	56010543AF	1				EN0			[JA2+JDJ] Chrome Ring without Secondary
	56010648AF	1				EN0			[JAY+JCB-ABU]
	56010650AF	1				EN0			[JA2+JCB-ABU]
3									MASK AND LENS, Instrument Cluster
	04828962AB	1				ED0, EK0			Mica, Black Ring

**LIBERTY (KJ)**

SERIES      LINE  
P = LIMITED      J = JEEP - 4WD  
H = SPORT      U = JEEP - 4WD (RHD)  
M = RENEGADE      T = JEEP - 2WD

BODY  
74 = SPORT UTILITY 4-DR

ENGINE  
ED1 = Engine - 2.4L 4 Cyl DOHC 16v SMPI  
EKG = Engine - 3.7L V6  
ENR = Engine - 2.8L 4 Cyl Turbo Diesel  
ENO = 4CYL turbo diesel

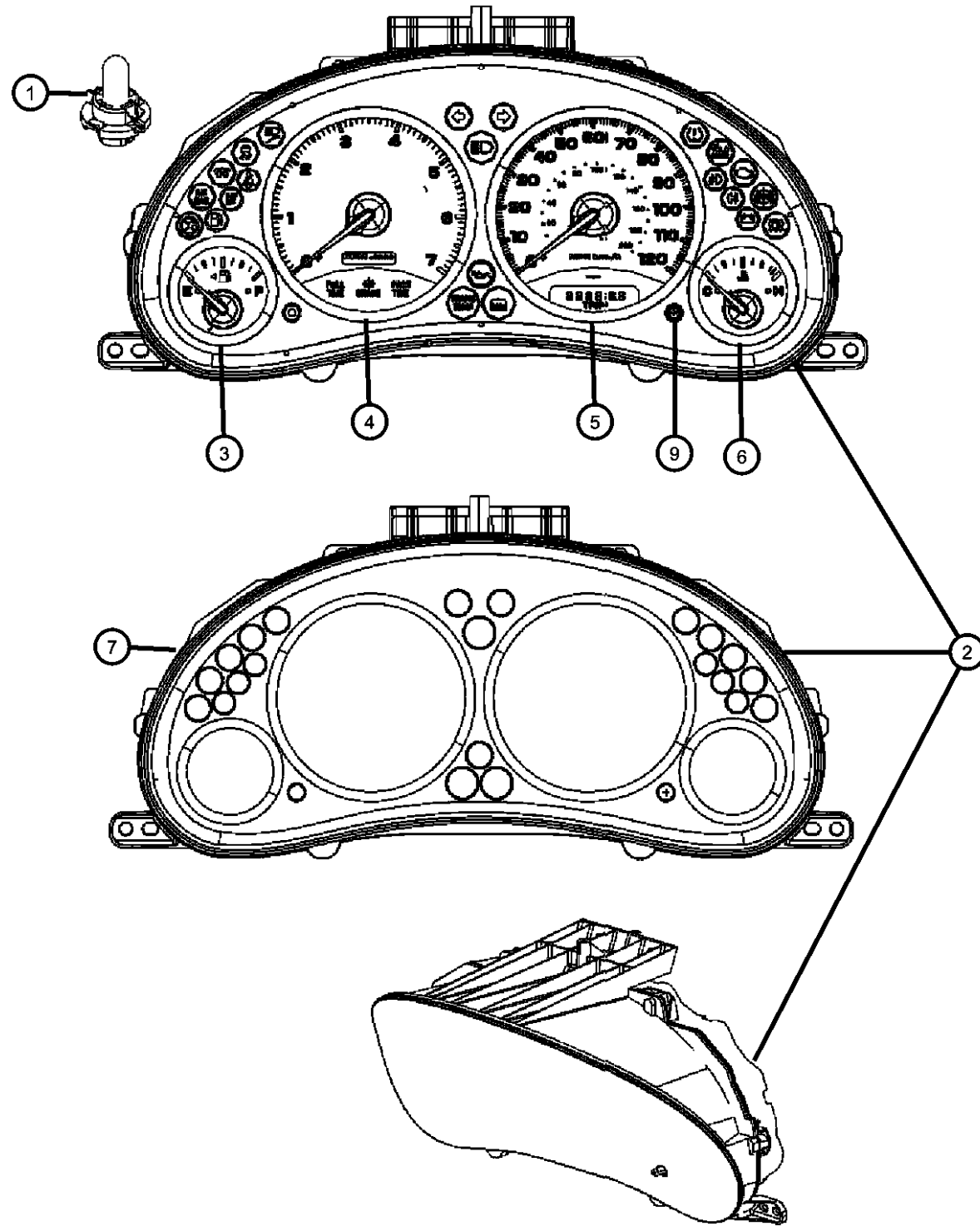
TRANSMISSION  
DGQ = Transmission-5-Spd Automatic 5-45RFE  
DG6 = Transmission-4-Spd. Automatic, 42RLE  
DEH = Transmission-6-Speed Manual, NSG370  
DG0 = Transmissions - All Automatic  
DBB = ALL MANUAL TRANSMISSIONS

AR = use ase required - = Non illustrated part

2005 KJ



**Instrument Panel Cluster  
Figure 08A-210**



ITEM	PART NUMBER	QTY	LINE	SERIES	BODY	ENGINE	TRANS	TRIM	DESCRIPTION
		1				EN0			Mica, Black Ring
	04832731AC	1				ED0, EK0			Mica, Chrome Ring
		1				EN0			Mica, Chrome Ring
4		1							GAUGE, Fuel And Volt, Serviced with Cluster Assembly, (NOT SERVICED),
5		1							GAUGE, Tachometer, Serviced with Cluster Assembly, (NOT SERVICED)
6		1							GAUGE, Speedometer, Serviced with Cluster Assembly, (NOT SERVICED)
7		1							GAUGE, Temperature And Oil, Serviced with Cluster Assembly, (NOT SERVICED)
-8		1							BOARD, Circuit, Serviced with Cluster Assembly, (NOT SERVICED)
9		1							KNOB, Odometer Reset, Serviced with Cluster Assembly, (NOT SERVICED)
-10		1							SCREW, Tapping, M4.2X1.70X15.00, (NOT SERVICED)

**LIBERTY (KJ)**

SERIES      LINE  
P = LIMITED      J = JEEP - 4WD  
H = SPORT      U = JEEP - 4WD (RHD)  
M = RENEGADE      T = JEEP - 2WD

BODY  
74 = SPORT UTILITY 4-DR

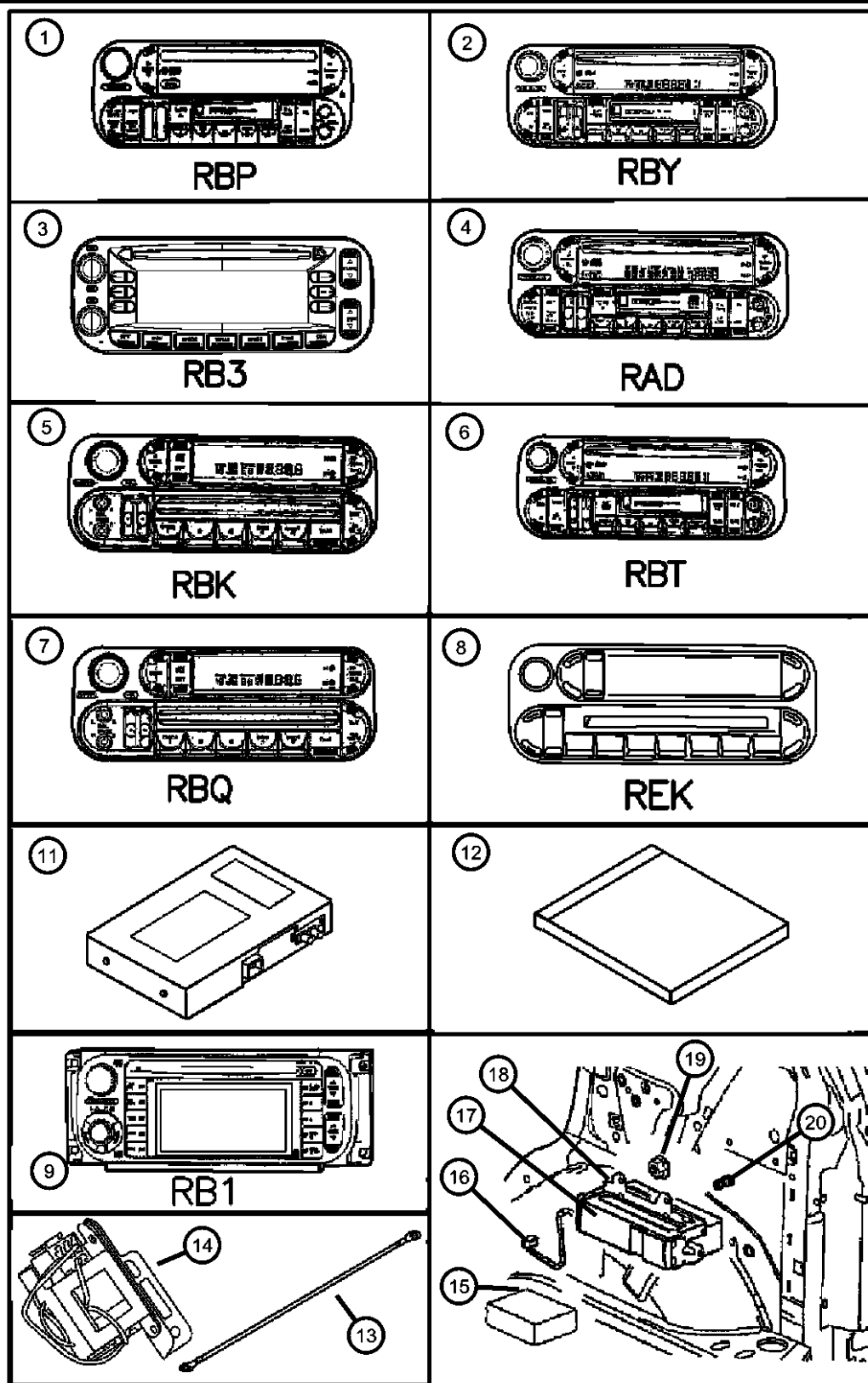
ENGINE  
ED1 = Engine - 2.4L 4 Cyl DOHC 16v SMPI  
EKG = Engine - 3.7L V6  
ENR = Engine - 2.8L 4 Cyl Turbo Diesel  
ENO = 4CYL turbo diesel

TRANSMISSION  
DGQ = Transmission-5-Spd Automatic 5-45RFE  
DG6 = Transmission-4-Spd. Automatic, 42RLE  
DEH = Transmission-6-Speed Manual, NSG370  
DG0 = Transmissions - All Automatic  
DBB = ALL MANUAL TRANSMISSIONS

AR = use ase required - = Non illustrated part

2005 KJ

**Radios**  
**Figure 08A-310**



ITEM	PART NUMBER	QTY	LINE	SERIES	BODY	ENGINE	TRANS	TRIM	DESCRIPTION
------	-------------	-----	------	--------	------	--------	-------	------	-------------

Notes:

- [RAD] = AM/FM Cass/CD with Changer Control
- [RBK] = AM/FM Compact Disc with Changer Control
- [RBP] = AM/FM Cass/CD with Changer Control
- [RPQ] = AM/FM CD 6-Disc
- [RBT] = AM/FM Cass/CD with Changer Control
- [RBY] = AM/FM Cass. CD with Changer Control
- [RB3] = AM/FM CD, GPS Navigation
- [RCJ] = Speakers, Six Premium Infinity
- [REK] = AM/FM Compact Disc, RDS
- [REM] = CD Changer 6-Disc Remote

1	05091606AD	1							RADIO, AM/FM/Cassette With CD, [RBP]
2	05091609AD	1							RADIO, AM/FM/Cassette With CD, [RBY]
3	56038643AE	1							RADIO, AM/FM CD W/NAV & CD-CTRL., [RB3]
4	05091601AE	1							RADIO, AM/FM/Cassette With CD, [RAD]
5	05091506AC	1							RADIO, AM/FM with CD and Equalizer, [RBK]
6	05091608AD	1							RADIO, AM/FM/Cassette With CD, [RBT]
7	05091507AD	1							RADIO, AM/FM with CD and Equalizer, [RBQ]
8	05091610AB	1							RADIO, AM/FM with CD, [REK]
9	56038629AH	1							RADIO, AM/FM CD W/NAV/DVD & CD-CTRL., [RB1]
-10	05064042AB	1							RADIO, AM/FM with CD and Cassette, [RAZ]
11	05064020AJ	1							RECEIVER, Satellite
12	05064033AA	1							DVD, Geographic Database, North America
13	56038750AB	1							STRAP, Ground, Hood to Fender
14									CHOKE, Speaker
	56038654AA	1			J, T				[RCJ]
	56038655AA	1			U				[RCJ]
15	04797433	1							MAGAZINE, CD Changer, [REM]
16	05073243AB	1					74		CABLE, CD Changer
17	Z6038616AA	1							CHANGER, CD, [REM]
18	56038605AA	1							BRACKET, CD Changer, [REM]

LIBERTY (KJ)

- |              |                      |
|--------------|----------------------|
| SERIES       | LINE                 |
| P = LIMITED  | J = JEEP - 4WD       |
| H = SPORT    | U = JEEP - 4WD (RHD) |
| M = RENEGADE | T = JEEP - 2WD       |

- BODY  
74 = SPORT UTILITY 4-DR

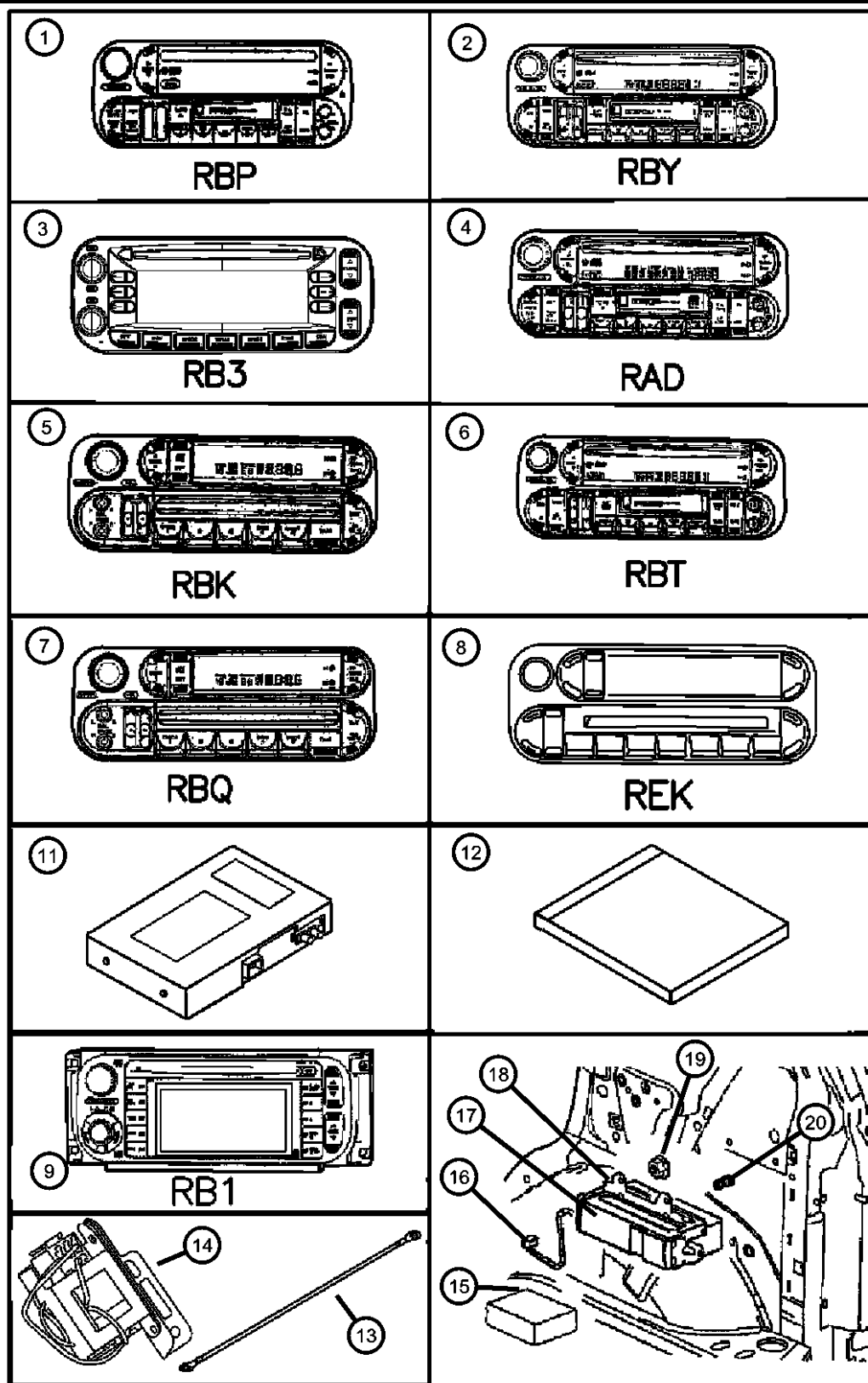
- ENGINE  
ED1 = Engine - 2.4L 4 Cyl DOHC 16v SMPI  
EKG = Engine - 3.7L V6  
ENR = Engine - 2.8L 4 Cyl Turbo Diesel  
ENO = 4CYL turbo diesel

- TRANSMISSION  
DGQ = Transmission-5-Spd Automatic 5-45RFE  
DG6 = Transmission-4-Spd. Automatic, 42RLE  
DEH = Transmission-6-Speed Manual, NSG370  
DG0 = Transmissions - All Automatic  
DBB = ALL MANUAL TRANSMISSIONS

AR = use ase required - = Non illustrated part

2005 KJ

Radios  
Figure 08A-310



ITEM	PART NUMBER	QTY	LINE	SERIES	BODY	ENGINE	TRANS	TRIM	DESCRIPTION
19	06100047	4							NUT AND WASHER, Hex Nut-Coned Washer, M6 x 1.00, [REM]
20	06503846	4							STUD, Single Ended, Knurled, Pilot Point, M6x1.00x20.00, [REM]

LIBERTY (KJ)

SERIES            LINE  
P = LIMITED      J = JEEP - 4WD  
H = SPORT        U = JEEP - 4WD (RHD)  
M = RENEGADE   T = JEEP - 2WD

BODY  
74 = SPORT UTILITY 4-DR

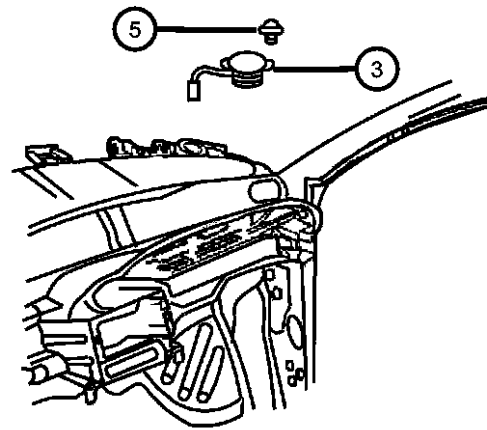
ENGINE  
ED1 = Engine - 2.4L 4 Cyl DOHC 16v SMPI  
EKG = Engine - 3.7L V6  
ENR = Engine - 2.8L 4 Cyl Turbo Diesel  
ENO = 4CYL turbo diesel

TRANSMISSION  
DGQ = Transmission-5-Spd Automatic 5-45RFE  
DG6 = Transmission-4-Spd. Automatic, 42RLE  
DEH = Transmission-6-Speed Manual, NSG370  
DG0 = Transmissions - All Automatic  
DBB = ALL MANUAL TRANSMISSIONS

AR = use ase required - = Non illustrated part

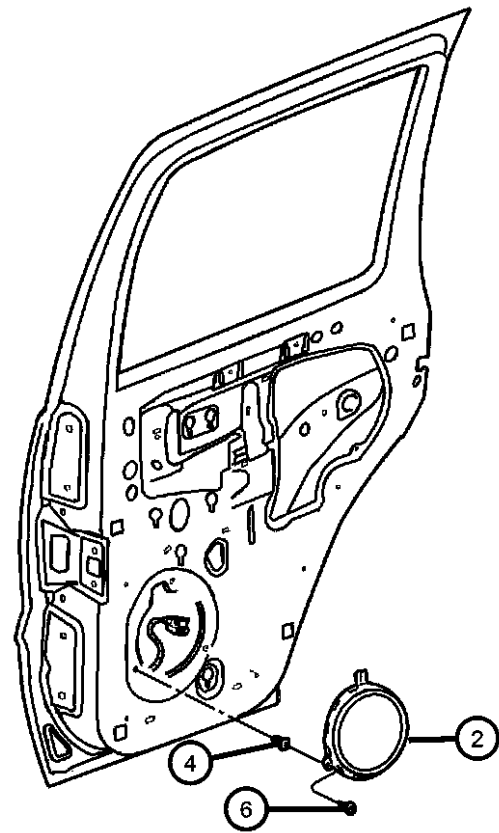
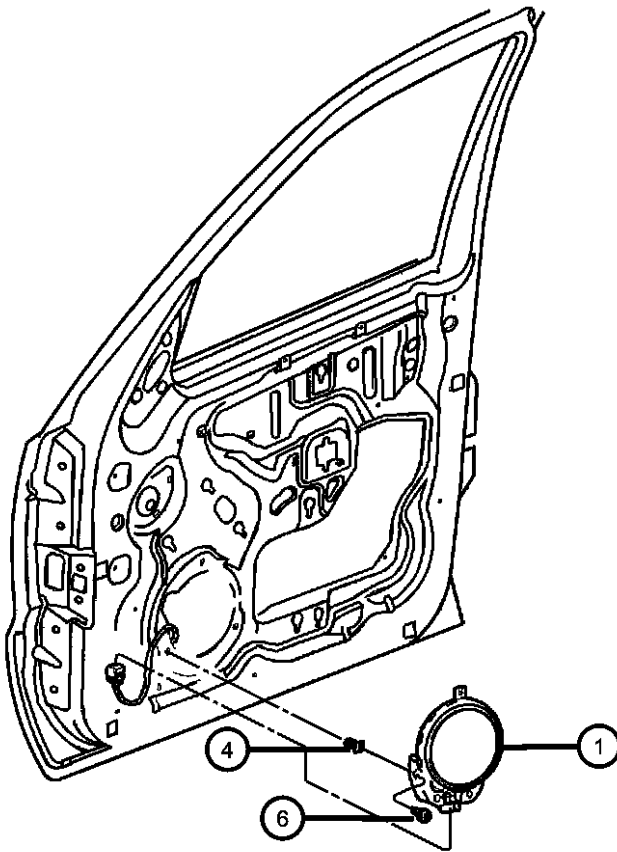
**Speakers**  
**Figure 08A-320**

ITEM	PART NUMBER	QTY	LINE	SERIES	BODY	ENGINE	TRANS	TRIM	DESCRIPTION
------	-------------	-----	------	--------	------	--------	-------	------	-------------



Notes:  
[RCG] = Speakers, Six  
[RCJ] = Speakers, Six, Premium Infinity

1									SPEAKER, 6.5"
	05082451AC	2							[RCG] Standard, Front Door
	56038593AI	2							[RCJ] Premium, Front Door
2									SPEAKER, 6.5"
	05082451AC	2							[RCG] Standard, Rear Door
	56038800AB	2							[RCJ] Premium, Rear Door
3									SPEAKER, Tweeter
	56010666AA	2							[RCG] Standard, Instrument Panel
	56038815AB	2							[RCJ] Premium, Instrument Panel
4	06507009AA	6							NUT, Plastic Snap-in, Mounting, Door Speaker
5	06507009AA	6							SCREW, M4.2X1.70X15.00 (Door Speaker Mounting), (NOT SERVICED)
6	06507009AA	6							SCREW, 0.164-18X.750 (I/Panel Speaker Mounting), (NOT SERVICED)



**LIBERTY (KJ)**

SERIES      LINE  
P = LIMITED      J = JEEP - 4WD  
H = SPORT      U = JEEP - 4WD (RHD)  
M = RENEGADE      T = JEEP - 2WD

BODY  
74 = SPORT UTILITY 4-DR

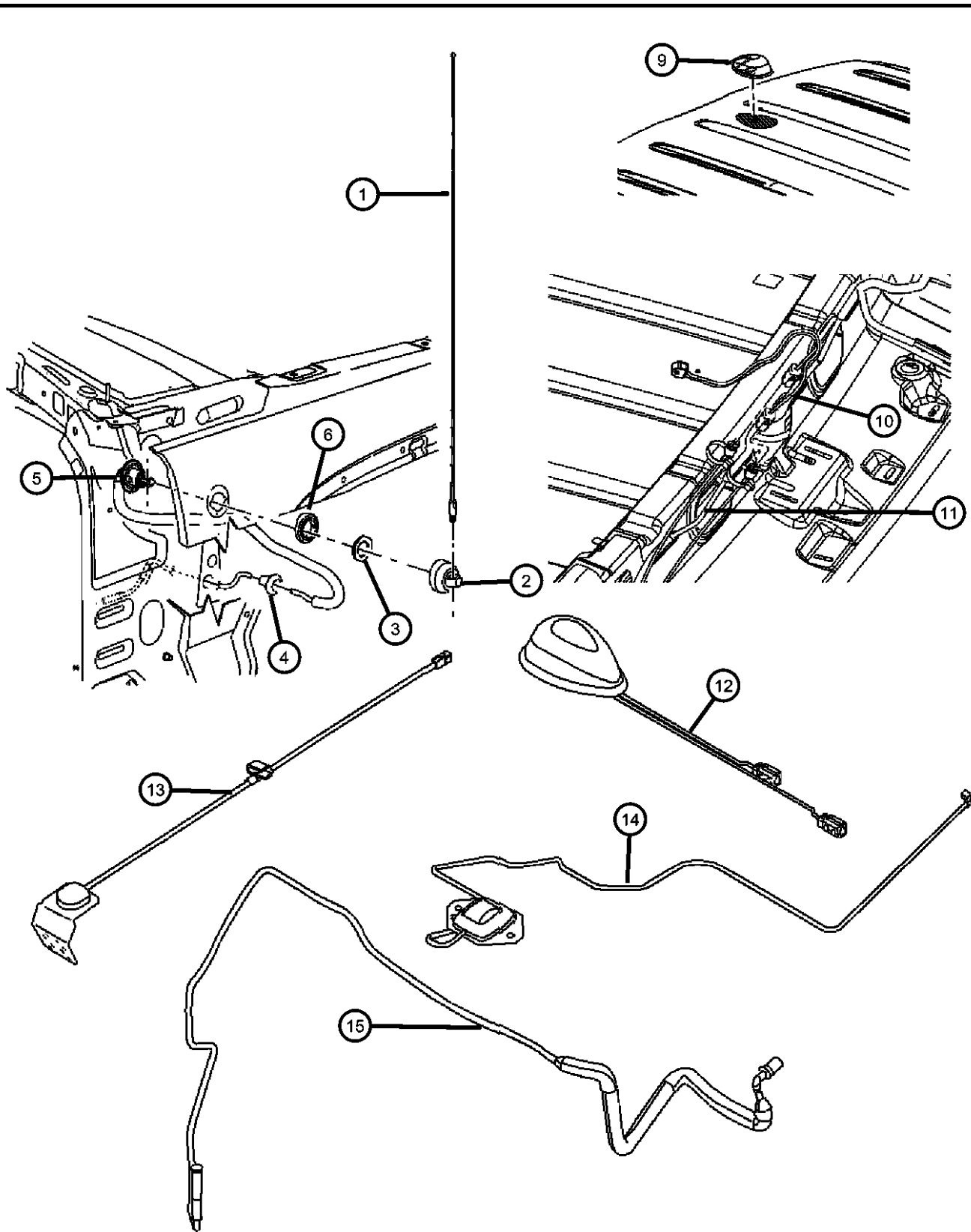
ENGINE  
ED1 = Engine - 2.4L 4 Cyl DOHC 16v SMPI  
EKG = Engine - 3.7L V6  
ENR = Engine - 2.8L 4 Cyl Turbo Diesel  
ENO = 4CYL turbo diesel

TRANSMISSION  
DGQ = Transmission-5-Spd Automatic 5-45RFE  
DG6 = Transmission-4-Spd. Automatic, 42RLE  
DEH = Transmission-6-Speed Manual, NSG370  
DG0 = Transmissions - All Automatic  
DBB = ALL MANUAL TRANSMISSIONS

AR = use ase required - = Non illustrated part

2005 KJ

**Antenna  
Figure 08A-330**



ITEM	PART NUMBER	QTY	LINE	SERIES	BODY	ENGINE	TRANS	TRIM	DESCRIPTION
------	-------------	-----	------	--------	------	--------	-------	------	-------------

NOTES:  
Sales Codes:  
[RB1] = AM/FM,CD,GPS Navigation  
[RB3] = AM/FM,CD,GPS,Navigation  
[RDL] = Antenna- Integrated in Rear Window  
[RSA] = Sirius Satellite Radio

1	56038545AE	1							MAST, Antenna, Spiral Ground with 5/16" Thread (Bright)
2	56038523AA	1							COVER, Antenna Opening
3	56038581AA	1							NUT
4	56038581AA	1							GROMMET, Serviced with Cable Base Assembly with Lead, (NOT SERVICED)
5									ANTENNA
	56038526AF	1							Cable Base Assembly with Lead
	56038527AE	1							[RDL]
6	56038580AB	1							ADAPTER, Antenna, Bezel
-7	04780615AB	2							PLUG, Body, .75 Diameter
-8	04780615AB	2							SCREW, (NOT SERVICED)
9	05091504AB	1							ANTENNA, Satellite, [RSA]
10	05026097AB	1							ANTENNA, Keyless Entry
11	56038804AB	1							CABLE, Antenna
12	05066205AC	1							ANTENNA, Satellite
13									ANTENNA, Global Positioning
	56040794AA	1							[RB3]
	56040796AA	1							[RB1]
14	05094003AA	1							ANTENNA, Satellite
15									CABLE, Antenna
	56038559AG	1							Radio to Cowl
	56038575AG	1							Antenna Module to Cowl
	56038576AG	1							Radio to Cowl (RHD)

**LIBERTY (KJ)**

SERIES      LINE  
P = LIMITED      J = JEEP - 4WD  
H = SPORT      U = JEEP - 4WD (RHD)  
M = RENEGADE      T = JEEP - 2WD

BODY  
74 = SPORT UTILITY 4-DR

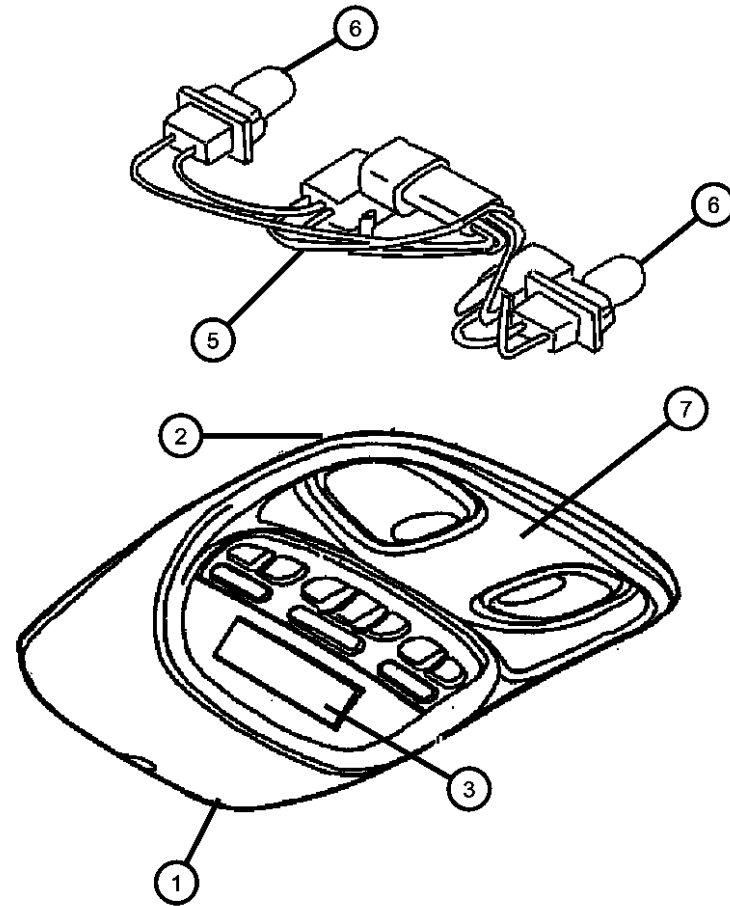
ENGINE  
ED1 = Engine - 2.4L 4 Cyl DOHC 16v SMPI  
EKG = Engine - 3.7L V6  
ENR = Engine - 2.8L 4 Cyl Turbo Diesel  
ENO = 4CYL turbo diesel

TRANSMISSION  
DGQ = Transmission-5-Spd Automatic 5-45RFE  
DG6 = Transmission-4-Spd. Automatic, 42RLE  
DEH = Transmission-6-Speed Manual, NSG370  
DG0 = Transmissions - All Automatic  
DBB = ALL MANUAL TRANSMISSIONS

AR = use ase required    - = Non illustrated part

2005 KJ

**Console, Overhead  
Figure 08A-410**



ITEM	PART NUMBER	QTY	LINE	SERIES	BODY	ENGINE	TRANS	TRIM	DESCRIPTION
1	1AU40BD1AA	1	J, T						HOUSING, Overhead Console Premium
	1BZ08BD1AA	1	J, T						Premium
2	05072348AA	1							RETAINER, Overhead Console
3	56010520AD	1	J, T						MODULE, Overhead Console
	56010527AD	1							
-4	5GV82BD1AG	1							MODULE, Intrusion
5	04760644	1							WIRING, Overhead Console
	05166454AA	1							Includes Bulbs and Switches
6	L0000192	2							BULB, 192
7	0WT01BD1AA	1	J, T						LAMP, Reading
		1	J, U						
-8	L0021202	2	J, U						BULB, 212-2
		2	J, T						
-9	04602688AA	1	J, T						SWITCH, Sunroof
	1BN48BD1AA	1	J, T						[CUD]
-10	56010331AB	1							RETAINER, Electronic Module
-11	04437661	3							LAMP, Message Center
-12	05012882AA	1							LENS, Message Center
-13	5JG58BD1AA	1	J, T						LAMP, Dome
		1	J, U						
-14	05093414AA	1	J, T						LENS, Dome Lamp
		1							

**LIBERTY (KJ)**

SERIES      LINE  
P = LIMITED      J = JEEP - 4WD  
H = SPORT      U = JEEP - 4WD (RHD)  
M = RENEGADE      T = JEEP - 2WD

BODY  
74 = SPORT UTILITY 4-DR

ENGINE  
ED1 = Engine - 2.4L 4 Cyl DOHC 16v SMPI  
EKG = Engine - 3.7L V6  
ENR = Engine - 2.8L 4 Cyl Turbo Diesel  
ENO = 4CYL turbo diesel

TRANSMISSION  
DGQ = Transmission-5-Spd Automatic 5-45RFE  
DG6 = Transmission-4-Spd. Automatic, 42RLE  
DEH = Transmission-6-Speed Manual, NSG370  
DG0 = Transmissions - All Automatic  
DBB = ALL MANUAL TRANSMISSIONS

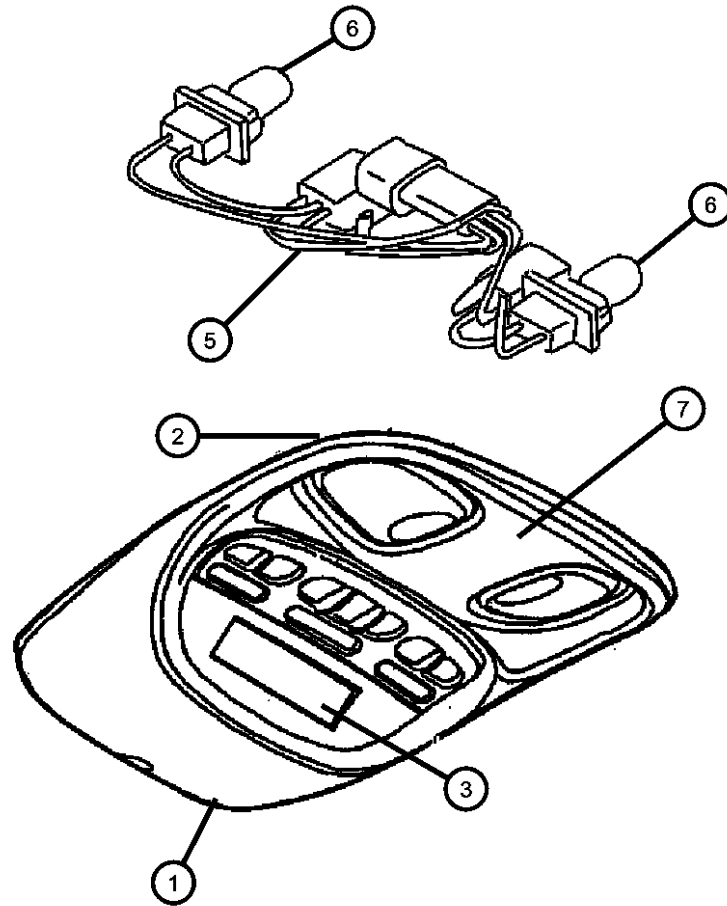
AR = use ase required - = Non illustrated part

2005 KJ

Console, Overhead  
Figure 08A-410

ITEM	PART NUMBER	QTY	LINE	SERIES	BODY	ENGINE	TRANS	TRIM	DESCRIPTION
------	-------------	-----	------	--------	------	--------	-------	------	-------------

-15	1BC77BD1AA	1	J, T						LAMP, Cargo
		1							



LIBERTY (KJ)

SERIES      LINE  
P = LIMITED      J = JEEP - 4WD  
H = SPORT      U = JEEP - 4WD (RHD)  
M = RENEGADE      T = JEEP - 2WD

BODY  
74 = SPORT UTILITY 4-DR

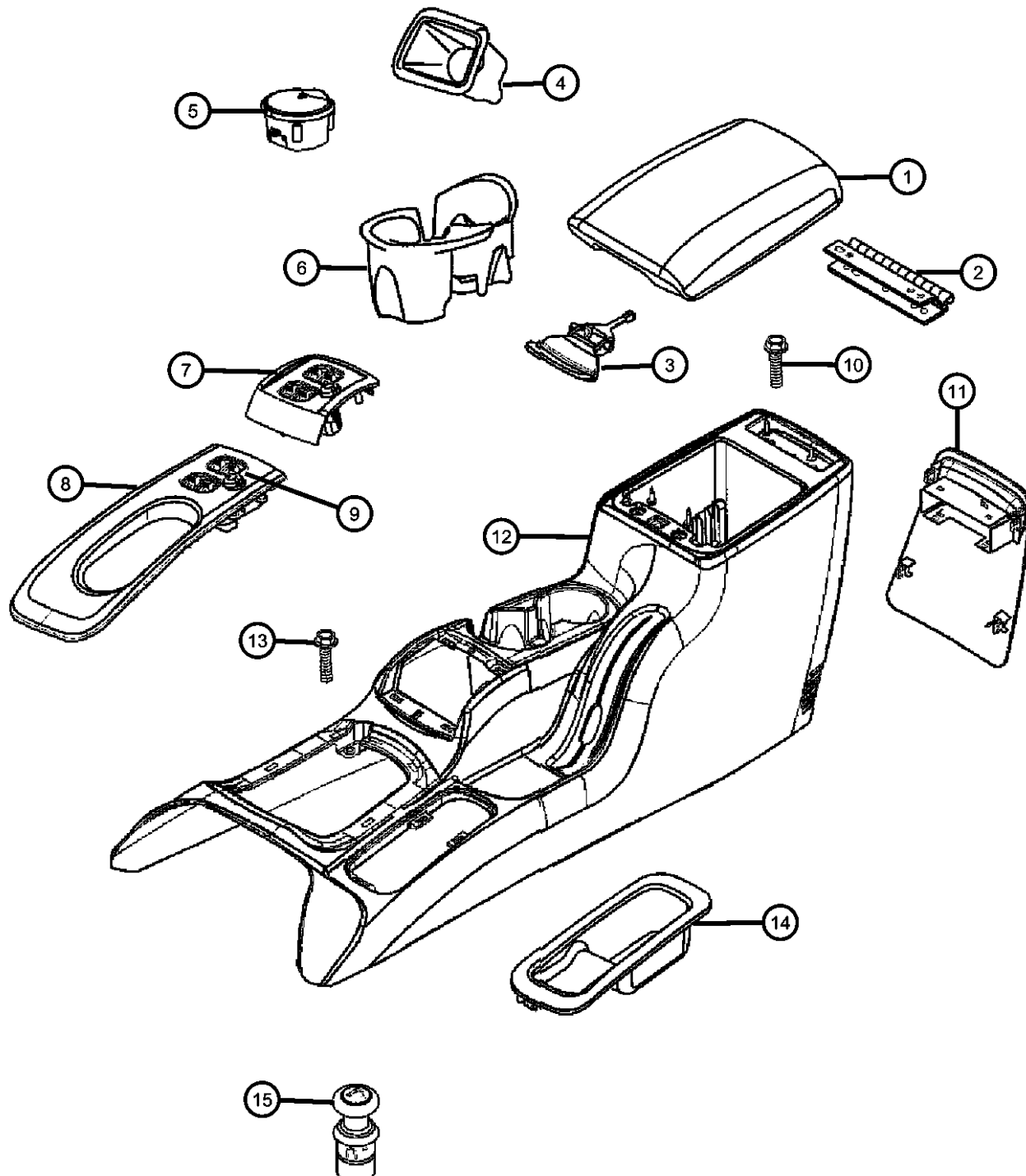
ENGINE  
ED1 = Engine - 2.4L 4 Cyl  
DOHC 16v SMPI  
EKG = Engine - 3.7L V6  
ENR = Engine - 2.8L 4 Cyl  
Turbo Diesel  
ENO = 4CYL turbo diesel

TRANSMISSION  
DGQ = Transmission-5-Spd Automatic  
5-45RFE  
DG6 = Transmission-4-Spd.  
Automatic, 42RLE  
DEH = Transmission-6-Speed Manual,  
NSG370  
DG0 = Transmissions - All Automatic  
DBB = ALL MANUAL  
TRANSMISSIONS

AR = use ase required - = Non illustrated part

2005 KJ

Console, Floor  
Figure 08A-420



ITEM	PART NUMBER	QTY	LINE	SERIES	BODY	ENGINE	TRANS	TRIM	DESCRIPTION
------	-------------	-----	------	--------	------	--------	-------	------	-------------

Notes:  
[DBB] = All Manual Transmissions  
[DG0] = All Automatic Transmissions

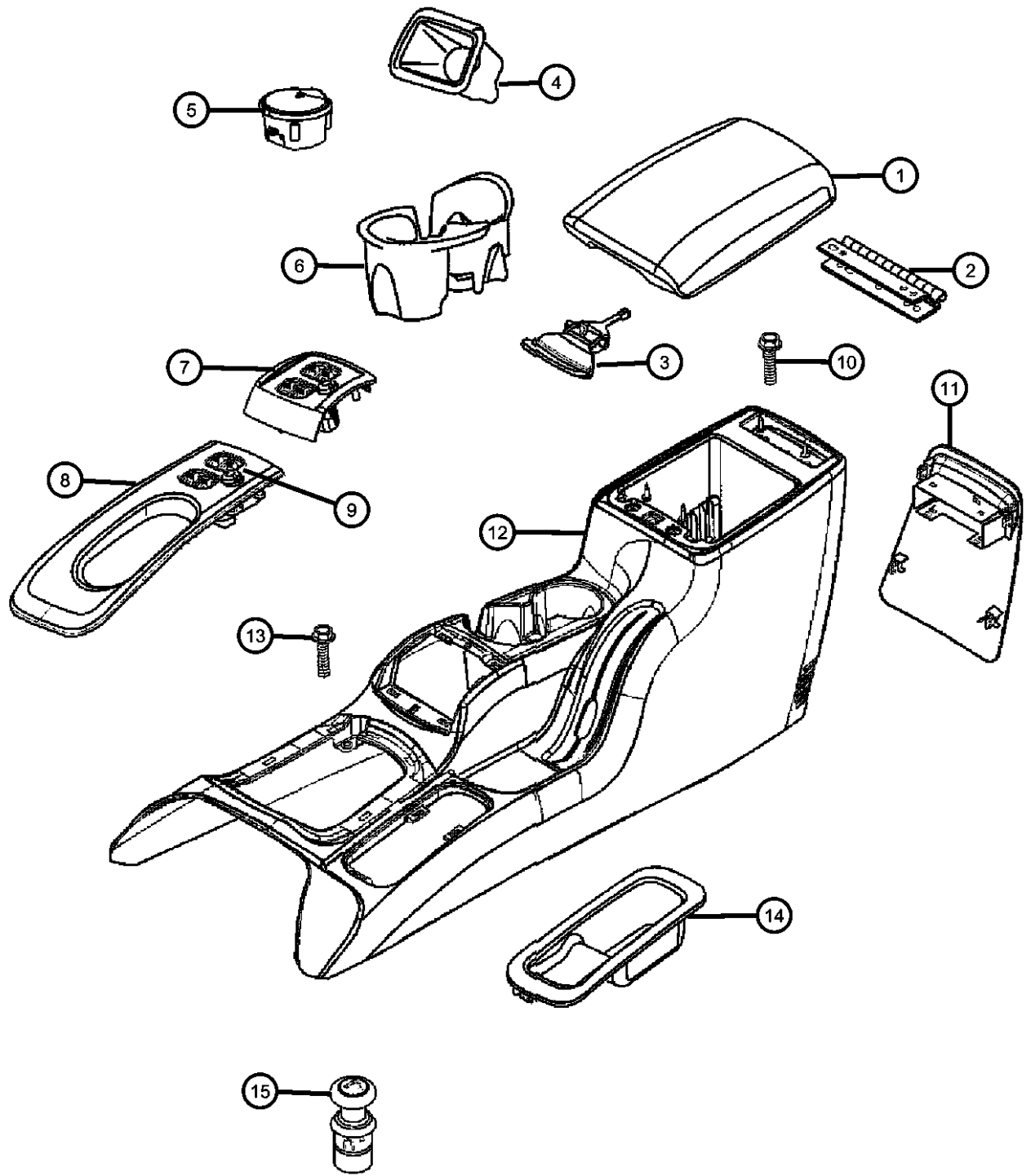
1	0WD591DHAB	1					DBB		LID, Floor Console Bin
		1					DBB		[D5]
		1					DBB		[DB]
		1					DBB		[J1]
		1					DBB		[J3]
		1					DG0		[D5]
		1					DG0		[DB]
		1					DG0		[J1]
		1					DG0		[J3]
2	05072906AA	1					DBB		HINGE, Floor Console Lid
		1					DG0		
3	05072905AA	1					DBB		LATCH, Console Lock
		1					DG0		
4	05142485AA	1					DBB		BIN, Floor Console
		1					DG0		
5	04595665AB	1							ASH RECEIVER, Floor Console
6	05142484AB	1					DBB		CUPHOLDER, Floor Console
		1					DG0		
7	5KC69DX9AA	1					DBB		BEZEL, Gear Selector
8	5KC57DX9AA	1		H			DG0		BEZEL, Gear Selector
	5KC58AAAAA	1		M			DG0		Black
	5KC59XZAAA	1		P			DG0		Mini Carbon
9	56054002AA	1		H			DG0		Satin Finish
		1					DBB		SWITCH, Power Window
									Power Window Master

**LIBERTY (KJ)**  
 SERIES LINE BODY ENGINE TRANSMISSION  
 P = LIMITED J = JEEP - 4WD 74 = SPORT UTILITY 4-DR ED1 = Engine - 2.4L 4 Cyl DOHC 16v SMPI DGQ = Transmission-5-Spd Automatic 5-45RFE  
 H = SPORT U = JEEP - 4WD (RHD) ENR = Engine - 3.7L V6 EKG = Engine - 3.7L V6 DOHC 16v SMPI DG6 = Transmission-4-Spd. Automatic, 42RLE  
 M = RENEGADE T = JEEP - 2WD ENR = Engine - 2.8L 4 Cyl Turbo Diesel DEH = Transmission-6-Speed Manual, NSG370  
 ENO = 4CYL turbo diesel DG0 = Transmissions - All Automatic  
 DBB = ALL MANUAL TRANSMISSIONS

AR = use ase required - = Non illustrated part



Console, Floor  
Figure 08A-420



ITEM	PART NUMBER	QTY	LINE	SERIES	BODY	ENGINE	TRANS	TRIM	DESCRIPTION
		1		P			DG0		
		1		M			DG0		
10		1							SCREW, Hex Flange Head, M4.2x1.70x16.00, (NOT SERVICED)
11									BEZEL, Power Window Switch
	0WA64XD-HAB	1							[D5]
	0WA64ZJ8AB	1							[DB]
		1							[J1]
		1							[J3]
12									CONSOLE, Base
	1AZ411DHAB	1					DBB		[D5]
		1					DBB		[DB]
	1AZ411J8AB	1					DBB		[J1]
		1					DBB		[J3]
	1BA081DHAA	1					DG0		[D5]
		1					DG0		[DB]
	1BA081J8AA	1					DG0		[J1]
		1					DG0		[J3]
13	06101945	4							SCREW Console To Floor
14	5GG16DX9AC	1	T						COVER, Floor Console, Two Wheel Drive Vehicle Only
15	04685536	1							KNOB AND ELEMENT, Cigar Lighter
-16									CLIP, Push, .164-7.5
	06034833	1					DBB		Bin Assembly To Base Console
		1					DG0		Bin Assembly To Base Console
-17									BRACKET, Floor Console
	05072907AB	1					DBB		
		1					DG0		

**LIBERTY (KJ)**

SERIES	LINE	BODY	ENGINE	TRANSMISSION
P = LIMITED	J = JEEP - 4WD	74 = SPORT UTILITY 4-DR	ED1 = Engine - 2.4L 4 Cyl DOHC 16v SMPI	DGQ = Transmission-5-Spd Automatic 5-45RFE
H = SPORT	U = JEEP - 4WD (RHD)		EKG = Engine - 3.7L V6	DG6 = Transmission-4-Spd. Automatic, 42RLE
M = RENEGADE	T = JEEP - 2WD		ENR = Engine - 2.8L 4 Cyl Turbo Diesel	DEH = Transmission-6-Speed Manual, NSG370
			ENO = 4CYL turbo diesel	DG0 = Transmissions - All Automatic
				DBB = ALL MANUAL TRANSMISSIONS

AR = use ase required - = Non illustrated part

# Group - 9

## Engine Mounting

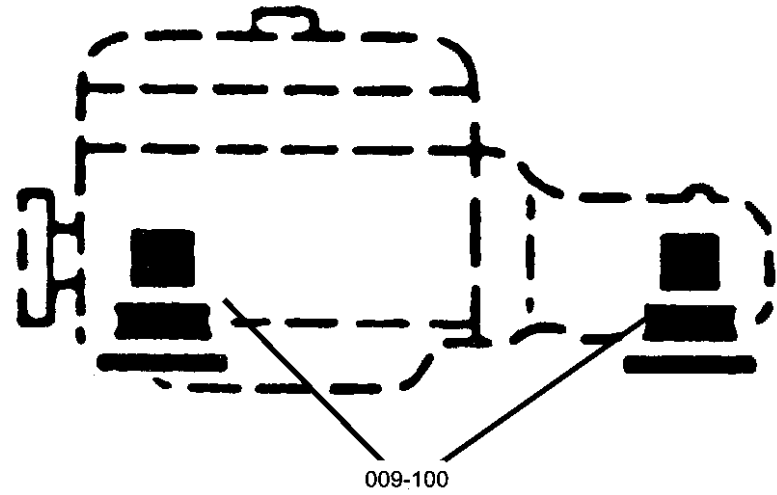
### Group - 9 Engine Mounting

Group-Fig. No.

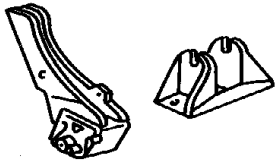
Illustration Title

#### Engine Mounting

Engine Mounts ..... Fig. 9 - 110  
 Transmission Mounts ..... Fig. 9 - 120



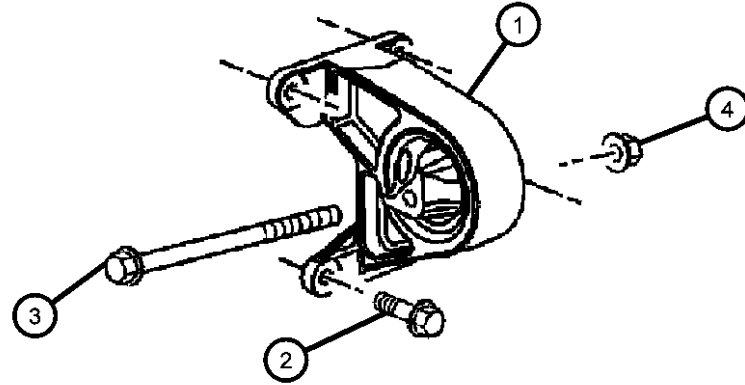
009-100

<p><b>009-100</b> Engine Mounting</p> 			
--	--	--	--

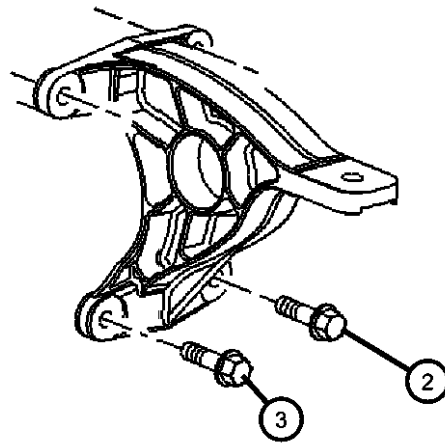
**Engine Mounts  
Figure 9-110**

ITEM	PART NUMBER	QTY	LINE	SERIES	BODY	ENGINE	TRANS	TRIM	DESCRIPTION
------	-------------	-----	------	--------	------	--------	-------	------	-------------

NOTE: Sales Codes  
 [ED0] = All 2.2,2.5,2.4,L Four Cylinder Gas Engines  
 [EK0] = All 3.7L Six Cylinder Gas Engines  
 [EN0] = All 4/5 Turbo Diesel Engines



1									INSULATOR, Engine Mount
	52059226AB	1				EK0			Right
	52059227AC	1				EK0			Left
	52059252AC	1				ED0			Right
	52059253AC	1				ED0			Left
2	06503699	8				EK0, EN0			SCREW AND WASHER, Hex Head, M10x1.5x28
3	06507388AA	2							BOLT, Hex Head
4	06502697	2							NUT, Hex Flange Lock, M12x1.75
5	52129011AD	1	J, U			EN0			INSULATOR, Engine Mount
6	52129374AC	1	J, U			EN0			INSULATOR, Engine Mount, With Shield
7									INSULATOR, Engine Mount
	52129014AB	1				EN0			Right
	52129015AA	1				EN0			Left



**LIBERTY (KJ)**

SERIES      LINE  
 P = LIMITED      J = JEEP - 4WD  
 H = SPORT      U = JEEP - 4WD (RHD)  
 M = RENEGADE      T = JEEP - 2WD

BODY  
 74 = SPORT UTILITY 4-DR

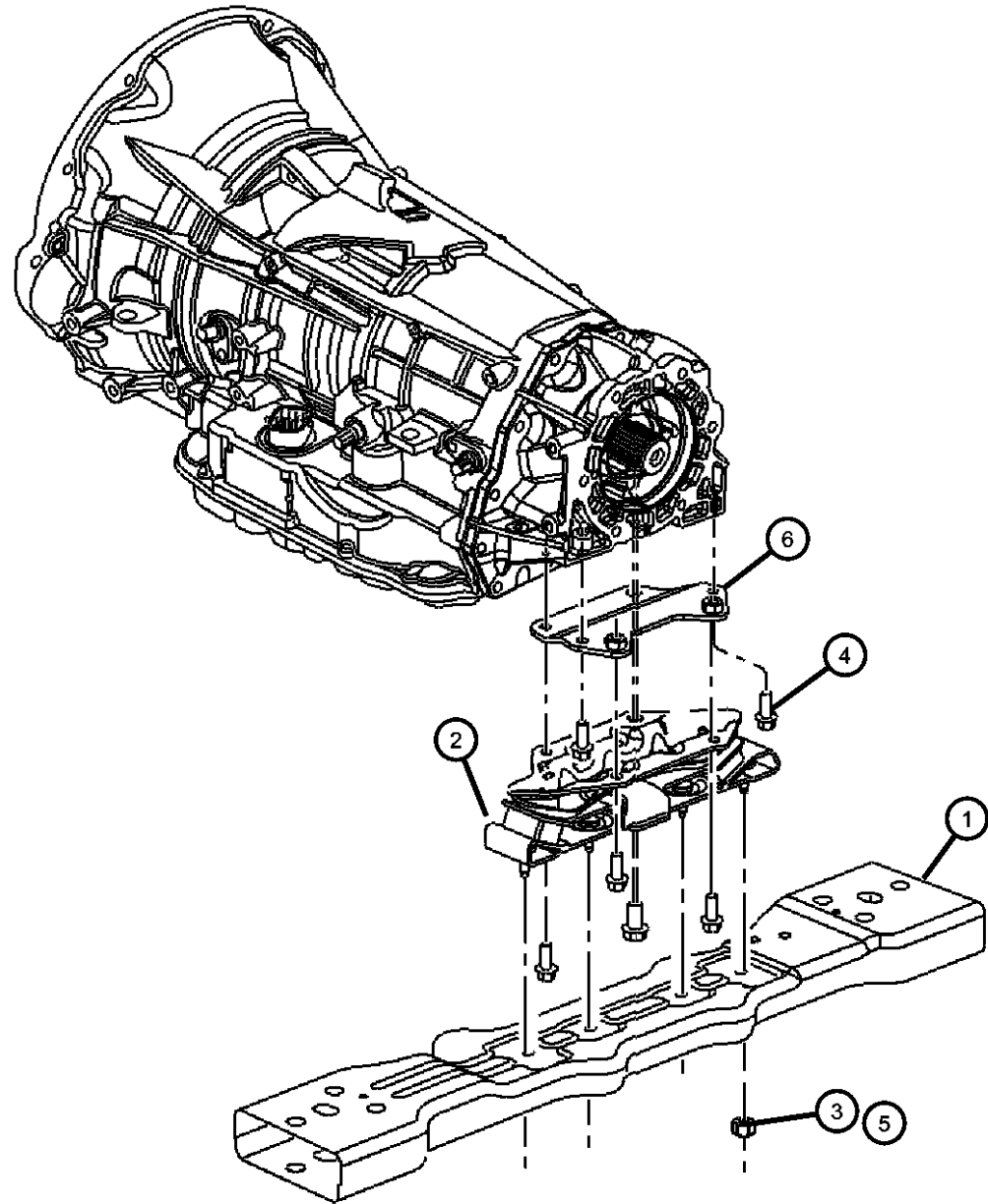
ENGINE  
 ED1 = Engine - 2.4L 4 Cyl DOHC 16v SMPI  
 EKG = Engine - 3.7L V6  
 ENR = Engine - 2.8L 4 Cyl Turbo Diesel  
 ENO = 4CYL turbo diesel

TRANSMISSION  
 DGQ = Transmission-5-Spd Automatic 5-45RFE  
 DG6 = Transmission-4-Spd. Automatic, 42RLE  
 DEH = Transmission-6-Speed Manual, NSG370  
 DG0 = Transmissions - All Automatic  
 DBB = ALL MANUAL TRANSMISSIONS

AR = use ase required - = Non illustrated part

2005 KJ

**Transmission Mounts**  
**Figure 9-120**



ITEM	PART NUMBER	QTY	LINE	SERIES	BODY	ENGINE	TRANS	TRIM	DESCRIPTION
NOTE:Sales Codes:									
[DBB] = All Manual Transmissions									
[DGQ]= Five Speed Automatic Transmission - [5-45RFE]									
[DG0] = All Automatic Transmissions									
[ED0] = All 2.2,2.5,2.4,L Four Cylinder Gas Engines									
[EK0 ]= All 3.7L Six Cylinder Gas Engines									
[EN0] = All 4/5 Turbo Diesel Engines									
1									CROSSMEMBER, Transmission
	52128702AB	1				ED0, EKG			
	52129089AB	1				ENO			
2									BRACKET AND INSULATOR, Transmission Support
	52128651AA	1	T			EK0	DG0		
	52128654AA	1	J, U			EK0			
		1	T			EK0	DBB		
	52128850AA	1				ED0	DBB		
	52129158AB	1				ENO	DBB		
	52129170AC	1				ENO	DGQ		
3	06502835	2							NUT, Lock
4									SCREW AND WASHER, Hex Head, M10x1.5x28
	06503699	4	J, U						Mount to Support Plate
		4	T			EK0	DBB		Mount to Support Plate
		4	J, U			ED0, EK0			Mount to Support Plate
		2	J, U			ENO			Support Plate to Transmission
5	06104716AA	4				ENO			NUT
6	52129307AA	1				ENO	DGQ		PLATE, Transmission Mount

**LIBERTY (KJ)**

SERIES      LINE  
P = LIMITED      J = JEEP - 4WD  
H = SPORT      U = JEEP - 4WD (RHD)  
M = RENEGADE      T = JEEP - 2WD

BODY  
74 = SPORT UTILITY 4-DR

ENGINE  
ED1 = Engine - 2.4L 4 Cyl DOHC 16v SMPI  
EKG = Engine - 3.7L V6  
ENR = Engine - 2.8L 4 Cyl Turbo Diesel  
ENO = 4CYL turbo diesel

TRANSMISSION  
DGQ = Transmission-5-Spd Automatic 5-45RFE  
DG6 = Transmission-4-Spd. Automatic, 42RLE  
DEH = Transmission-6-Speed Manual, NSG370  
DG0 = Transmissions - All Automatic  
DBB = ALL MANUAL TRANSMISSIONS

AR = use ase required - = Non illustrated part

2005 KJ

# Group - 2.4L

## Engine 2.4L Four Cylinder

### Group - 2.4L Engine 2.4L Four Cylinder

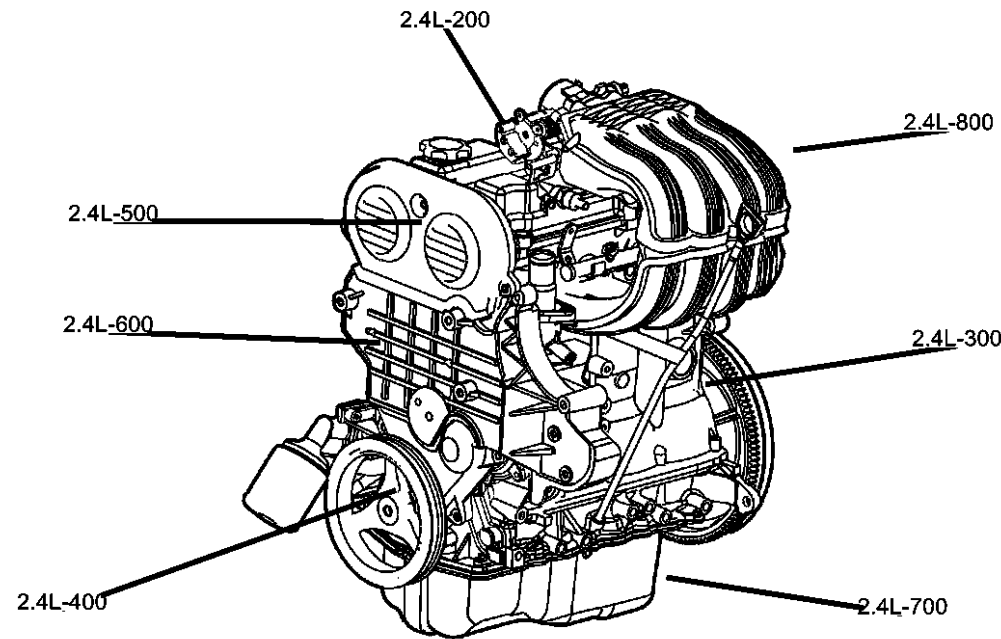


Illustration Title

Group-Fig. No.

#### Cylinder Head

Cylinder Head, 2.4L [ED1] ..... Fig. 2.4L - 210

#### Cylinder Block

Cylinder Block, 2.4L [ED1] ..... Fig. 2.4L - 310

#### Crankshaft, Piston, and Drive Plate

Crankshaft, Pistons and Flywheel, 2.4L [ED1] ..... Fig. 2.4L - 410

#### Camshafts and Valves

Camshaft and Valves 2.4L [ED1] ..... Fig. 2.4L - 510

#### Timing Belt and Cover

Timing Belt and Cover, 2.4L [ED1] ..... Fig. 2.4L - 610

Balance Shafts, 2.4L [ED1] ..... Fig. 2.4L - 620

#### Engine Oiling

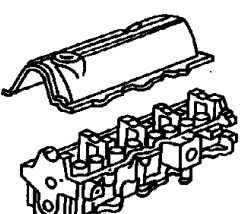
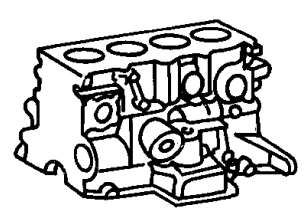
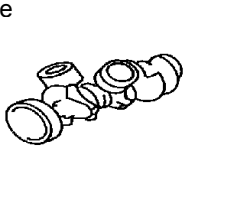
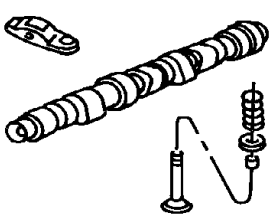
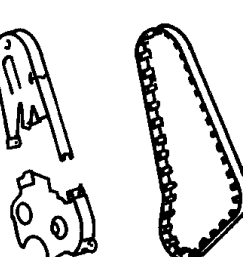
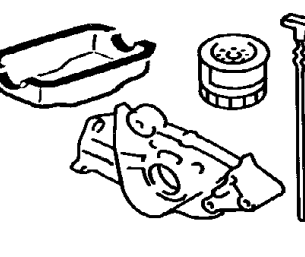
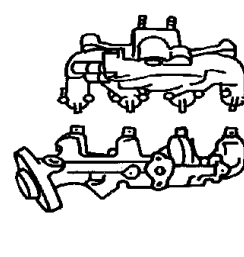
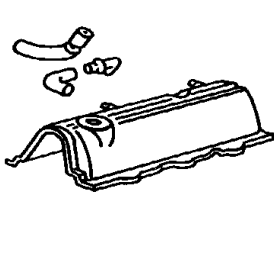
Engine Oiling, 2.4L [ED1] ..... Fig. 2.4L - 710

#### Manifolds

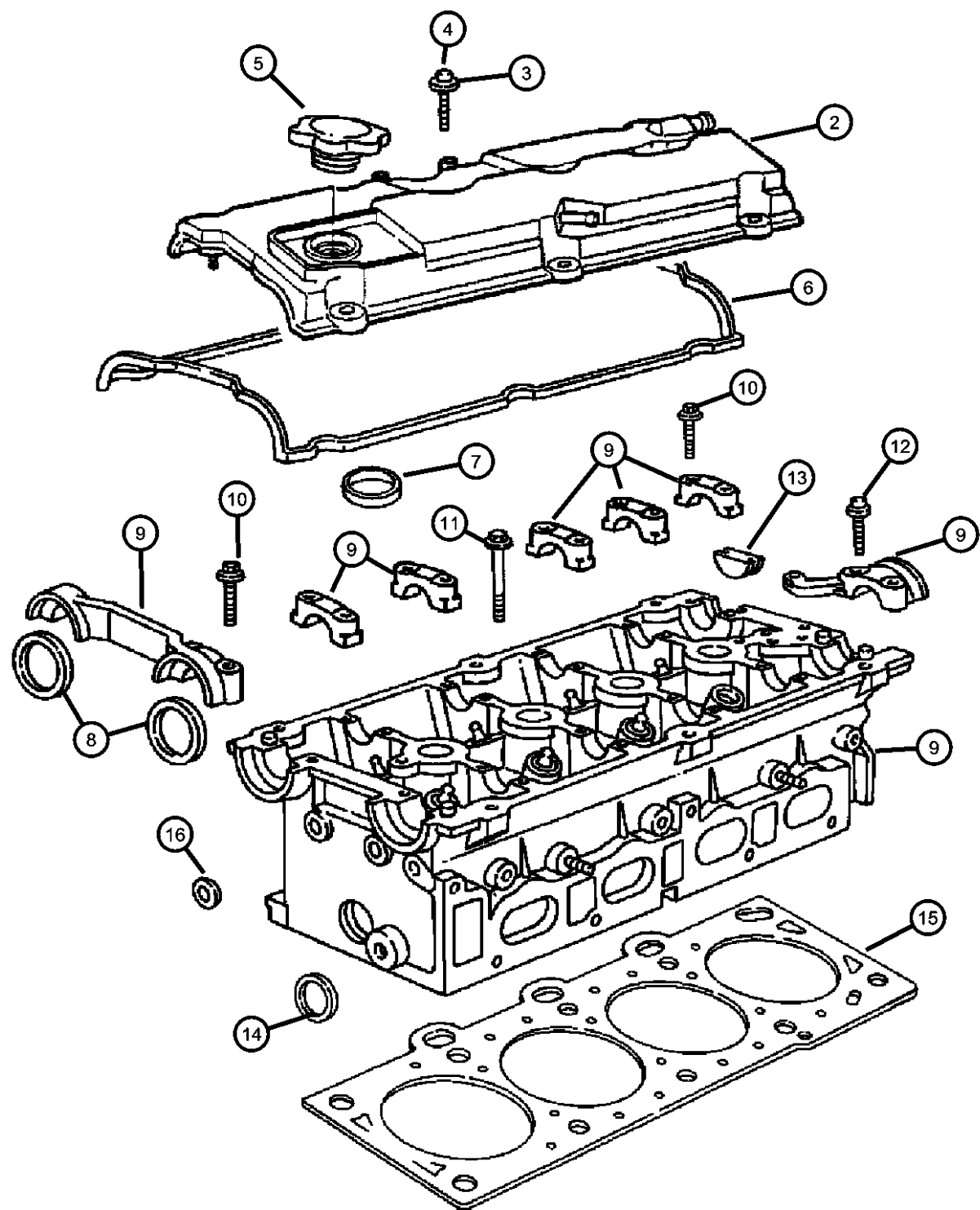
Intake and Exhaust Manifolds, 2.4L [ED1] ..... Fig. 2.4L - 810

#### Crankcase Ventilation

Crankcase Ventilation , 2.4L [ED1] ..... Fig. 2.4L - 910

<p><b>2.4L-200</b> Cylinder Head</p> 	<p><b>2.4L-300</b> Cylinder Block</p> 	<p><b>2.4L-400</b> Crankshaft, Piston, and Drive Plate</p> 	<p><b>2.4L-500</b> Camshafts and Valves</p> 
<p><b>2.4L-600</b> Timing Belt and Cover</p> 	<p><b>2.4L-700</b> Engine Oiling</p> 	<p><b>2.4L-800</b> Manifolds</p> 	<p><b>2.4L-900</b> Crankcase Ventilation</p> 

**Cylinder Head, 2.4L [ED1]  
Figure 2.4L-210**



ITEM	PART NUMBER	QTY	LINE	SERIES	BODY	ENGINE	TRANS	TRIM	DESCRIPTION
------	-------------	-----	------	--------	------	--------	-------	------	-------------

NOTE:  
SALES CODES:  
[ED0] = All 2.2L,2.5L,2.4L, 4 Cylinder Gas Engines

-1	05072474AC	1				ED0			GASKET PACKAGE, Engine Upper
2	53010493AD	1				ED0			COVER, Cylinder Head
3	53010493AD	1							SCREW, (NOT SERVICED)
4	04777997AA	5				ED0			ISOLATOR, Cylinder Head Cover, Grommet And Bolt
5	53010656AA	1				ED0			CAP, Oil Filler
6	04777478	1				ED0			GASKET, Valve Cover
7	04777477	4				ED0			GASKET, Spark Plug Well
8	04777086	2				ED0			SEAL, CamshaftFront
9	04667088AG	1				ED0			HEAD, Cylinder
10	06100918	18				ED0			BOLT, Hex Flange Head, M6x1.00x35
11	06504033	10				ED0			BOLT, Cylinder Head
12	06101527	6				ED0			SCREW, Hex Flange Head, M8x1.25x40
13									PLUG, Camshaft
	04667731AB	1				ED0			Half Casting Round
	53010521AA	1				ED0			
14	04556020	2				ED0			PLUG, Core, 1.25 Diameter
15	04884443AB	1				ED0			GASKET, Cylinder Head
16									PLUG, Pipe
	06036346AA	1				ED0			[.50-14x.63] Water Jacket
	06036543AA	6				ED0			[.125-27x.310] Oil Galley

**LIBERTY (KJ)**

SERIES      LINE  
P = LIMITED      J = JEEP - 4WD  
H = SPORT      U = JEEP - 4WD (RHD)  
M = RENEGADE      T = JEEP - 2WD

BODY  
74 = SPORT UTILITY 4-DR

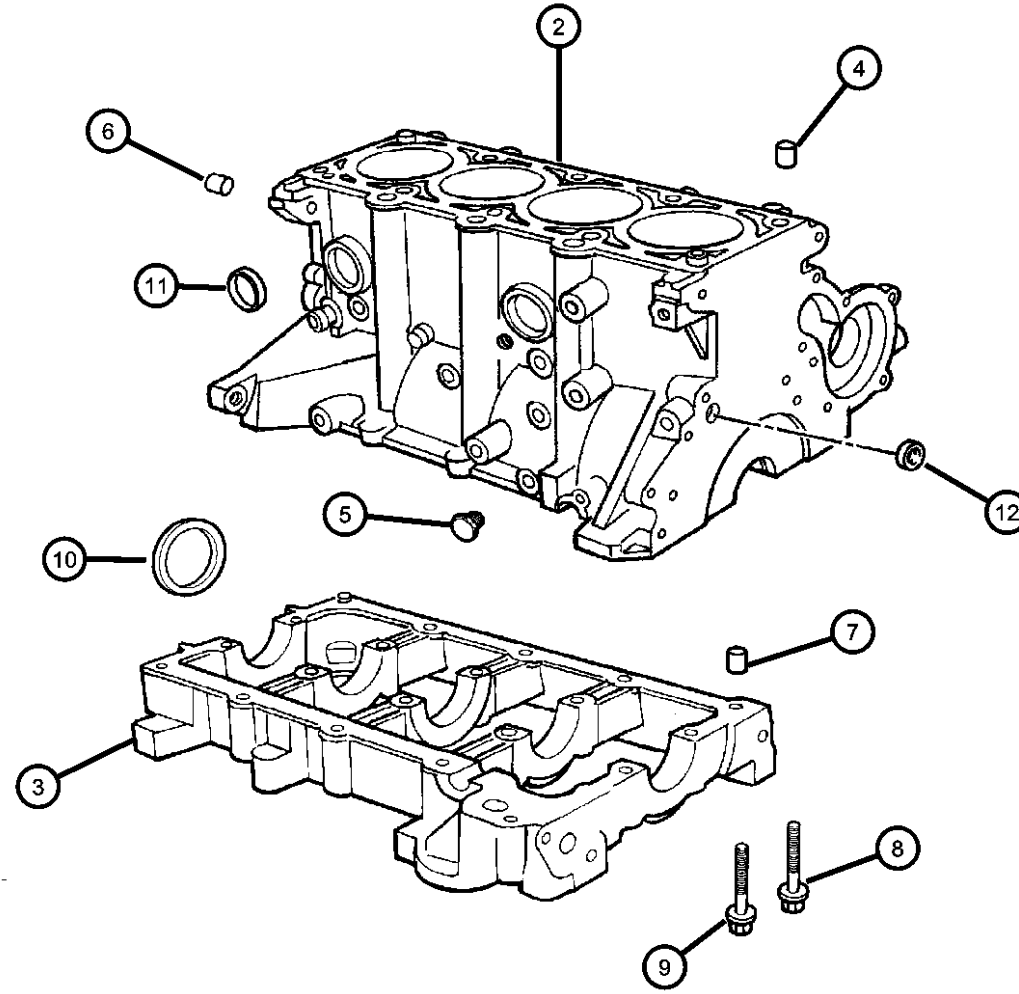
ENGINE  
ED1 = Engine - 2.4L 4 Cyl DOHC 16v SMPI  
EKG = Engine - 3.7L V6  
ENR = Engine - 2.8L 4 Cyl Turbo Diesel  
ENO = 4CYL turbo diesel

TRANSMISSION  
DGQ = Transmission-5-Spd Automatic 5-45RFE  
DG6 = Transmission-4-Spd. Automatic, 42RLE  
DEH = Transmission-6-Speed Manual, NSG370  
DG0 = Transmissions - All Automatic  
DBB = ALL MANUAL TRANSMISSIONS

AR = use ase required - = Non illustrated part

2005 KJ

**Cylinder Block, 2.4L [ED1]  
Figure 2.4L-310**

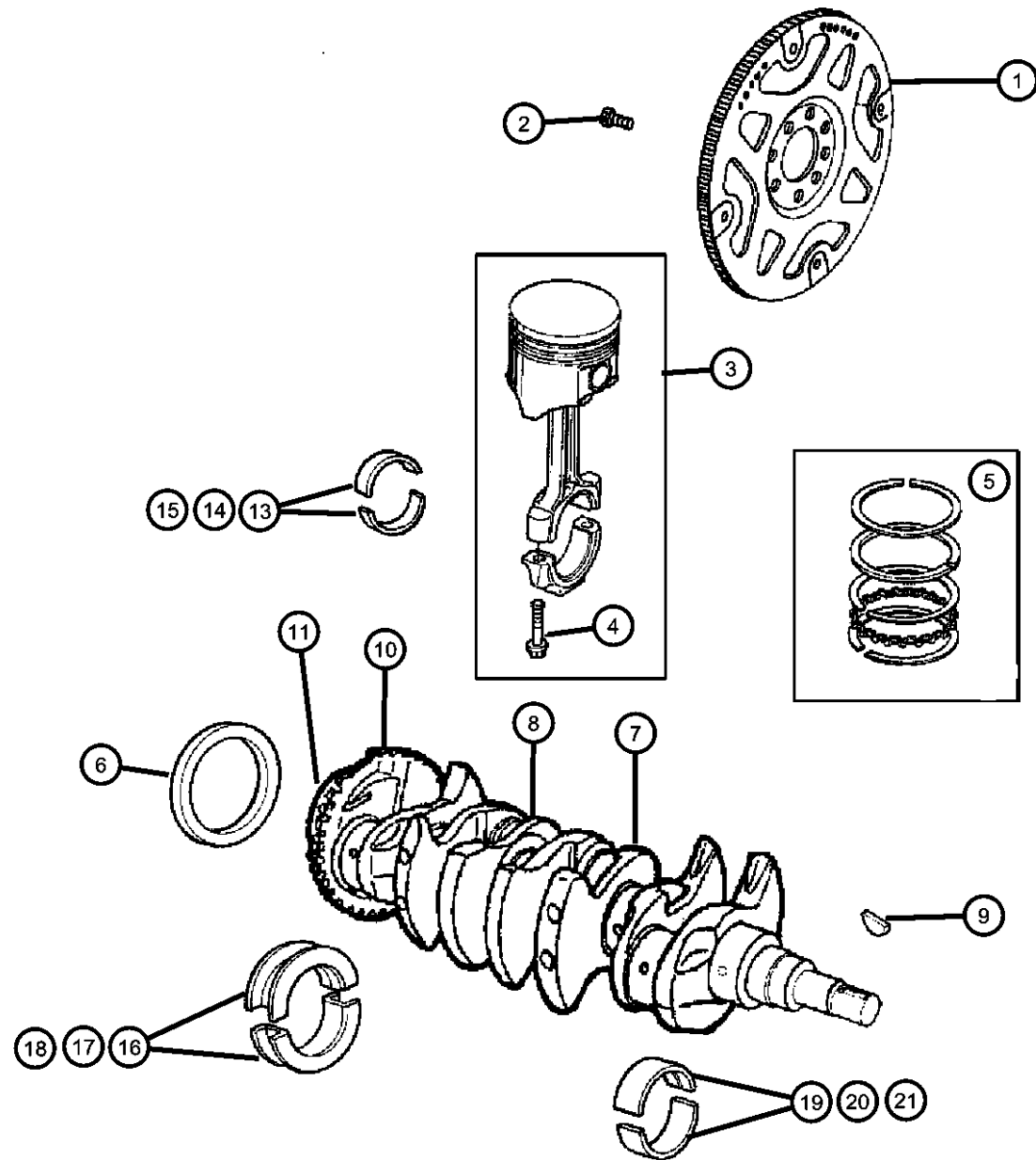


ITEM	PART NUMBER	QTY	LINE	SERIES	BODY	ENGINE	TRANS	TRIM	DESCRIPTION
Note; Sales Codes [DBB]= All Manual Transmissions [ED0]= ALL 2.2L,2.5L,2.4L, 4 Cylinder Gas Engines									
-1	05072475AA	1				ED0			GASKET PACKAGE, Engine Lower
2	05019344AB	1				ED0			BLOCK, Short
	04761838AB								Mopar 5W-30 Engine Oil Quart
	04761844AC								Mopar 5W-30 Engine Oil Gallon
	P5007323								Performance Mobil 1, 5W - 30 Tri-Synthetic Engine Oil, Quart
3	05019344AB	1							BEDPLATE, Serviced With Short Block Only, (NOT SERVICED)
4	04448856	2				ED0			DOWEL, Block To Cylinder Head
5	06036543AA	6				ED0			PLUG, Pipe
6	05240849	2				ED0			DOWEL
7	04694106	2				ED0			DOWEL, Engine Block To Bedplate
8	06503387	10				ED0			BOLT, Main Bearing Cap
9	06504257	9				ED0			BOLT, Hex Head, M8x1.25x70
10	04621939AB	1				ED0			SEAL, Rear Main Crankshaft
11	06034804	4				ED0			PLUG, Core, 1.39 DiameterCylinder Block
12	04556018AB	1				ED0			PLUG, Cylinder Block Oil Hole
-13	53013486AA	2				ED0			BRACKET, Engine Lift
-14	52104353AC	1				ED0	DBB		BRACKET, Bedplate to Dust Cover
-15	06034331	1				ED0			PLUG, Hex Socket, 3/8- 18NPTx.475
-16	06507155AA	1				ED0			STUD, Double Ended

<b>LIBERTY (KJ)</b>				
SERIES	LINE	BODY	ENGINE	TRANSMISSION
P = LIMITED	J = JEEP - 4WD	74 = SPORT UTILITY 4-DR	ED1 = Engine - 2.4L 4 Cyl DOHC 16v SMPI	DGQ = Transmission-5-Spd Automatic 5-45RFE
H = SPORT	U = JEEP - 4WD (RHD)		EKG = Engine - 3.7L V6	DG6 = Transmission-4-Spd. Automatic, 42RLE
M = RENEGADE	T = JEEP - 2WD		ENR = Engine - 2.8L 4 Cyl Turbo Diesel	DEH = Transmission-6-Speed Manual, NSG370
			ENO = 4CYL turbo diesel	DG0 = Transmissions - All Automatic DBB = ALL MANUAL TRANSMISSIONS

AR = use ase required - = Non illustrated part

**Crankshaft, Pistons and Flywheel, 2.4L [ED1]  
Figure 2.4L-410**



ITEM	PART NUMBER	QTY	LINE	SERIES	BODY	ENGINE	TRANS	TRIM	DESCRIPTION
Note; Sales Codes [DBB] = All Manual Transmissions [ED0]= All 2.2L,2.5L, 2.4L, 4 Cylinder Gas Engines									
1	52104578AD	1				ED0	DBB		FLYWHEEL
2	06507240AA	8				ED0	DBB		SCREW
3	05066565AB	4				ED0			PISTON PIN AND ROD
4	06503116	8				ED0			BOLT, Connecting Rod
5	05073524AA	1				ED0			PISTON RING SET, COMPLETE ENGINE, STD.
6	04621939AB	1				ED0			SEAL, Rear Main Crankshaft
7	04781643AA	1				ED0			CRANKSHAFT
8	68002690AA	1	J, T, U			ED0			CRANKSHAFT PACKAGE, Engine, This Package Includes Crankshaft, Connecting Rod Bearings, Crankshaft Bearings And Timing Belt
9	06035473	1				ED0			KEY, Crankshaft Sprocket
10	05114417AA	1				ED0			RING PACKAGE, Crankshaft Target
11	53009181AB	1				ED0			BEARING, Pilot
12	06506656AA	4				ED0			SCREW
13	05093448AB	8				ED0			BEARING KIT, Connecting Rod, Standard
14	05093449AA	8				ED0			BEARING KIT, Connecting Rod, .025 mm U/S
15	05093450AA	8				ED0			BEARING KIT, Connecting Rod, .25 mm U/S
16	05012585AB	1				ED0			BEARING KIT, Crankshaft Thrust, Std
17	05093446AA	1				ED0			BEARING KIT, Crankshaft Thrust, .025mm Undersize
18	05093447AA	1				ED0			BEARING KIT, Crankshaft Thrust, .25mm Undersize
19	05012582AA	8				ED0			BEARING KIT, Crankshaft, Standard
20	05012583AC	8				ED0			BEARING KIT, Crankshaft, .025mm Undersize
21	05012584AC	8				ED0			BEARING KIT, Crankshaft, .25mm Undersize

**LIBERTY (KJ)**

SERIES      LINE  
P = LIMITED      J = JEEP - 4WD  
H = SPORT      U = JEEP - 4WD (RHD)  
M = RENEGADE      T = JEEP - 2WD

BODY  
74 = SPORT UTILITY 4-DR

ENGINE  
ED1 = Engine - 2.4L 4 Cyl DOHC 16v SMPI  
EKG = Engine - 3.7L V6  
ENR = Engine - 2.8L 4 Cyl Turbo Diesel  
ENO = 4CYL turbo diesel

TRANSMISSION  
DGQ = Transmission-5-Spd Automatic 5-45RFE  
DG6 = Transmission-4-Spd. Automatic, 42RLE  
DEH = Transmission-6-Speed Manual, NSG370  
DG0 = Transmissions - All Automatic  
DBB = ALL MANUAL TRANSMISSIONS

AR = use ase required - = Non illustrated part

2005 KJ

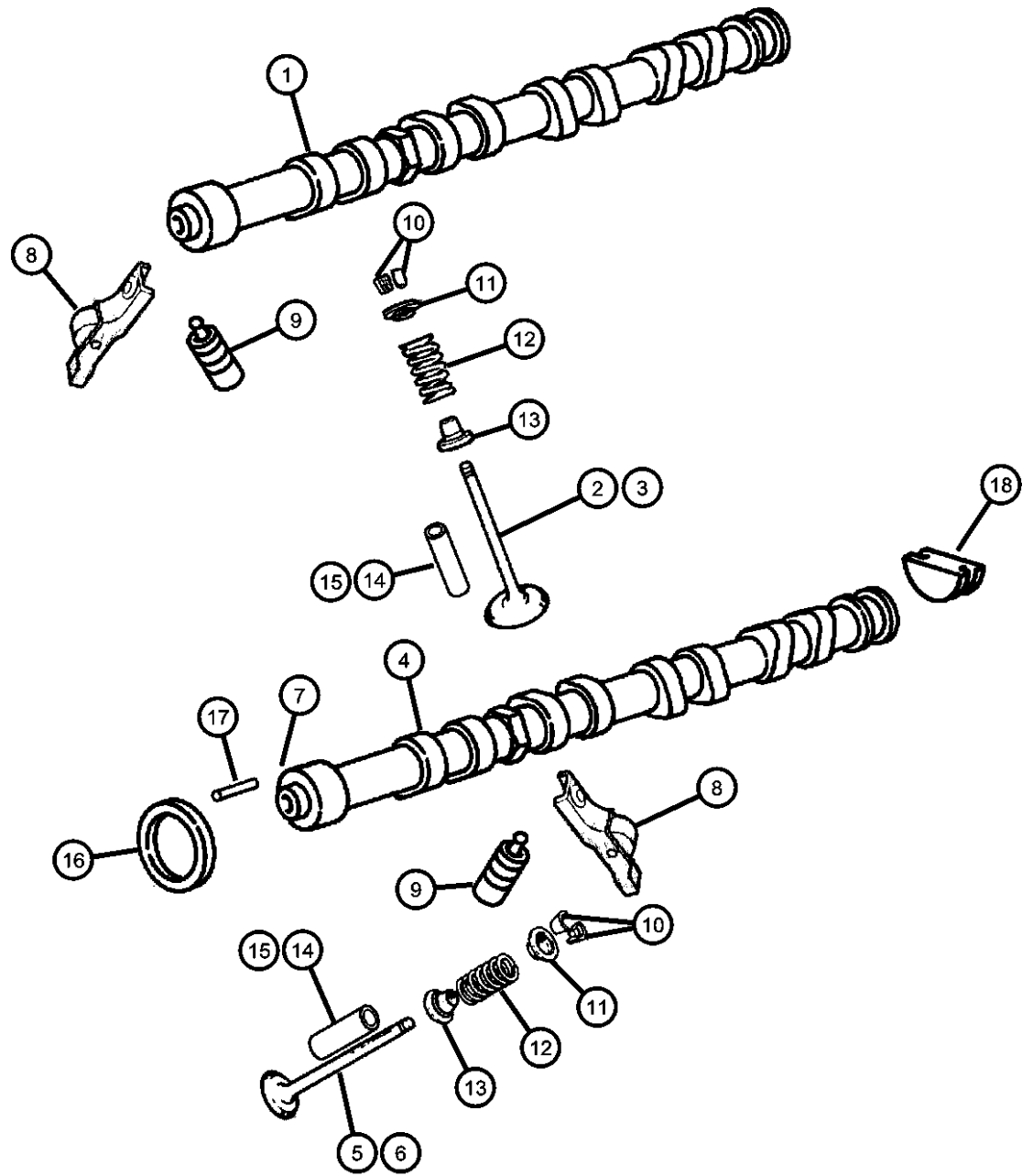


**Camshaft and Valves 2.4L [ED1]  
Figure 2.4L-510**

ITEM	PART NUMBER	QTY	LINE	SERIES	BODY	ENGINE	TRANS	TRIM	DESCRIPTION
------	-------------	-----	------	--------	------	--------	-------	------	-------------

Note; Sales Codes  
[ED0]= All 2.2L, 2.5L, 2.4L, 4 Cylinder Gas Engines

1	04781681AB	1				ED0			CAMSHAFT, Intake
2	04667969AB	8				ED0			VALVE, Intake, Standard
3	04667970AB	8				ED0			VALVE, Intake, .015" O/S
4	04781679AB	1				ED0			CAMSHAFT, Exhaust
5	04884690AA	8				ED0			VALVE, Exhaust, Standard
6	04777899AA	8				ED0			VALVE, Exhaust, .015" O/S
7	53010549AB	1				ED0			RING, Tone
8	04884042AA	16				ED0			ROCKER ARM, Valve Roller, The Rocker Lifter Assemblies Are Serviced As An Assembly Only.
9	04777976AA	16				ED0			ADJUSTER, Valve Lash
10	04777050AC	32				ED0			LOCK, Valve Spring Retainer
11	04648682AB	16				ED0			RETAINER, Valve Spring
12	04648907AA	16				ED0			SPRING, Valve
13	04648619	16				ED0			SEAL, Valve Guide
14	04648619	16							GUIDE, Intake/Exhaust Valve, Standard Size, (NOT SERVICED)
15	04667411	1				ED0			GUIDE, Intake/Exhaust Valve, 7mm Oversize
16	04777086	2				ED0			SEAL, Camshaft
17	06100997	1				ED0			PIN, Dowel, [M4x14], Camshaft Sprocket
18									PLUG, Camshaft
	04667731	1				ED0			Cylinder Head
	53010521AA	1				ED0			



**LIBERTY (KJ)**

SERIES      LINE  
P = LIMITED      J = JEEP - 4WD  
H = SPORT      U = JEEP - 4WD (RHD)  
M = RENEGADE      T = JEEP - 2WD

BODY  
74 = SPORT UTILITY 4-DR

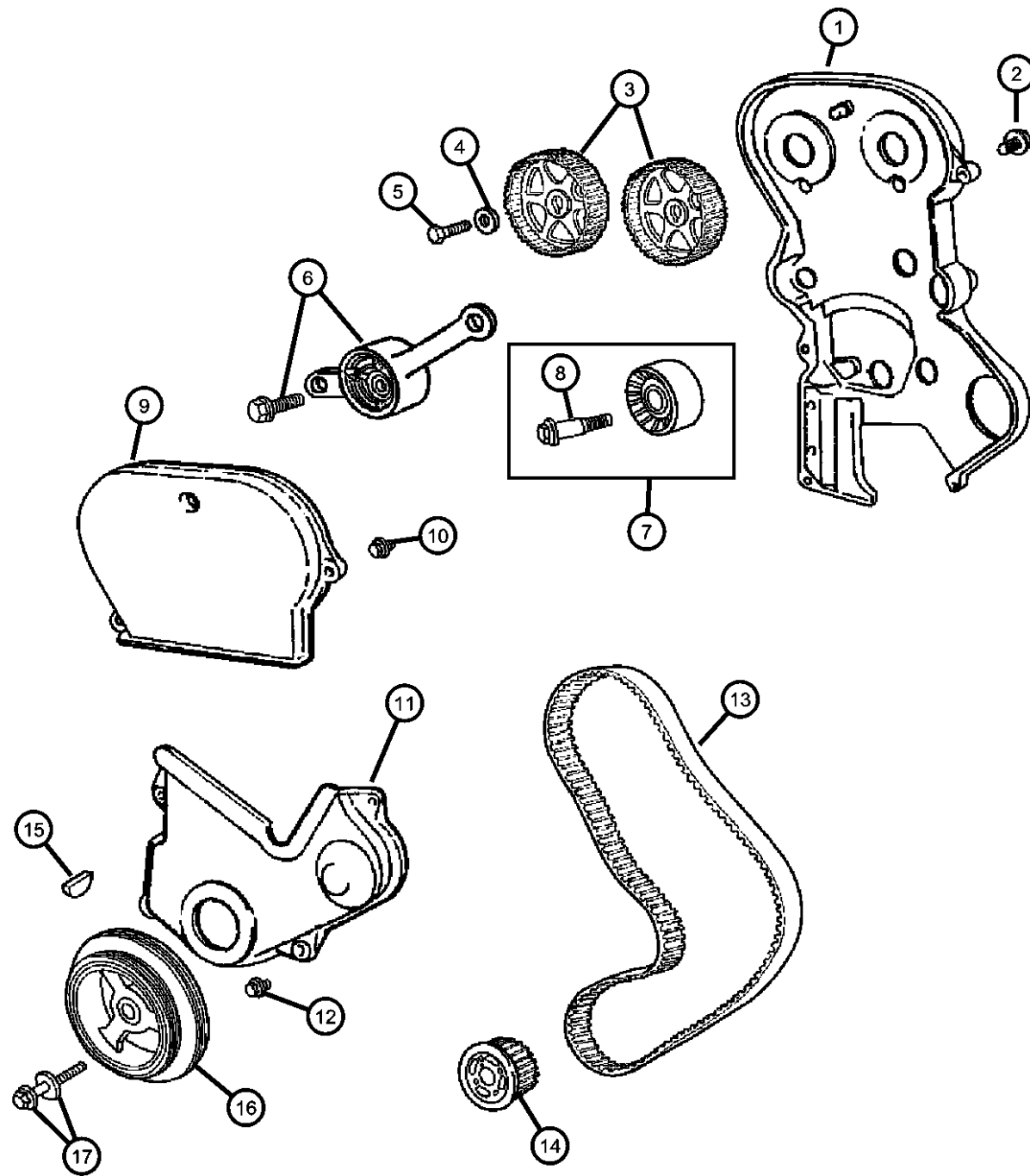
ENGINE  
ED1 = Engine - 2.4L 4 Cyl DOHC 16v SMPI  
EKG = Engine - 3.7L V6  
ENR = Engine - 2.8L 4 Cyl Turbo Diesel  
ENO = 4CYL turbo diesel

TRANSMISSION  
DGQ = Transmission-5-Spd Automatic 5-45RFE  
DG6 = Transmission-4-Spd. Automatic, 42RLE  
DEH = Transmission-6-Speed Manual, NSG370  
DG0 = Transmissions - All Automatic  
DBB = ALL MANUAL TRANSMISSIONS

AR = use ase required - = Non illustrated part

2005 KJ

Timing Belt and Cover, 2.4L [ED1]  
Figure 2.4L-610



ITEM	PART NUMBER	QTY	LINE	SERIES	BODY	ENGINE	TRANS	TRIM	DESCRIPTION
Note; Sales Codes [ED0]= All 2.2L, 2.5L, 2.4L, 4 Cylinder Gas Engines									
1	53010482AC	1				ED0			COVER, Timing Belt, Inner
2	06502926	3				ED0			BOLT, Hex Flange Head, M6x1.0x20
3	04667609	2				ED0			GEAR, Camshaft
4	06503438	2				ED0			WASHER, Flared, 13x35.00x4.70
5	06501405	2				ED0			BOLT, Hex Head, M12x1.50x52
6	04781570AB	1				ED0			TENSIONER, Belt
7	04781569AB	1				ED0			PULLEY, Idler
8	06507550AA	1				ED0			BOLT, Idler Pulley attaching
9	53010483AB	1				ED0			COVER, Timing Belt, Outer
10	06101952	5				ED0			SCREW, Hex Flange Head Tapping, M4.8 x 1.59 x 25.00
11	53010484AB	1				ED0			COVER, Timing Belt, Outer, Lower
12	06101331	1				ED0			BOLT, M6x1.00x20
13	04621844	1				ED0			BELT, Timing
	TB000265								Mopar V-Line Alternative Part
14	04648939AA	1				ED0			GEAR, Crankshaft
15	06035473	1				ED0			KEY, Crankshaft Sprocket
16	53010477AB	1				ED0			DAMPER, Crankshaft
17	06503553	1				ED0			BOLT, Hex Flange Head, M12x1.75x87.50

LIBERTY (KJ)

SERIES LINE  
P = LIMITED J = JEEP - 4WD  
H = SPORT U = JEEP - 4WD (RHD)  
M = RENEGADE T = JEEP - 2WD

BODY  
74 = SPORT UTILITY 4-DR

ENGINE  
ED1 = Engine - 2.4L 4 Cyl DOHC 16v SMPI  
EKG = Engine - 3.7L V6  
ENR = Engine - 2.8L 4 Cyl Turbo Diesel  
ENO = 4CYL turbo diesel

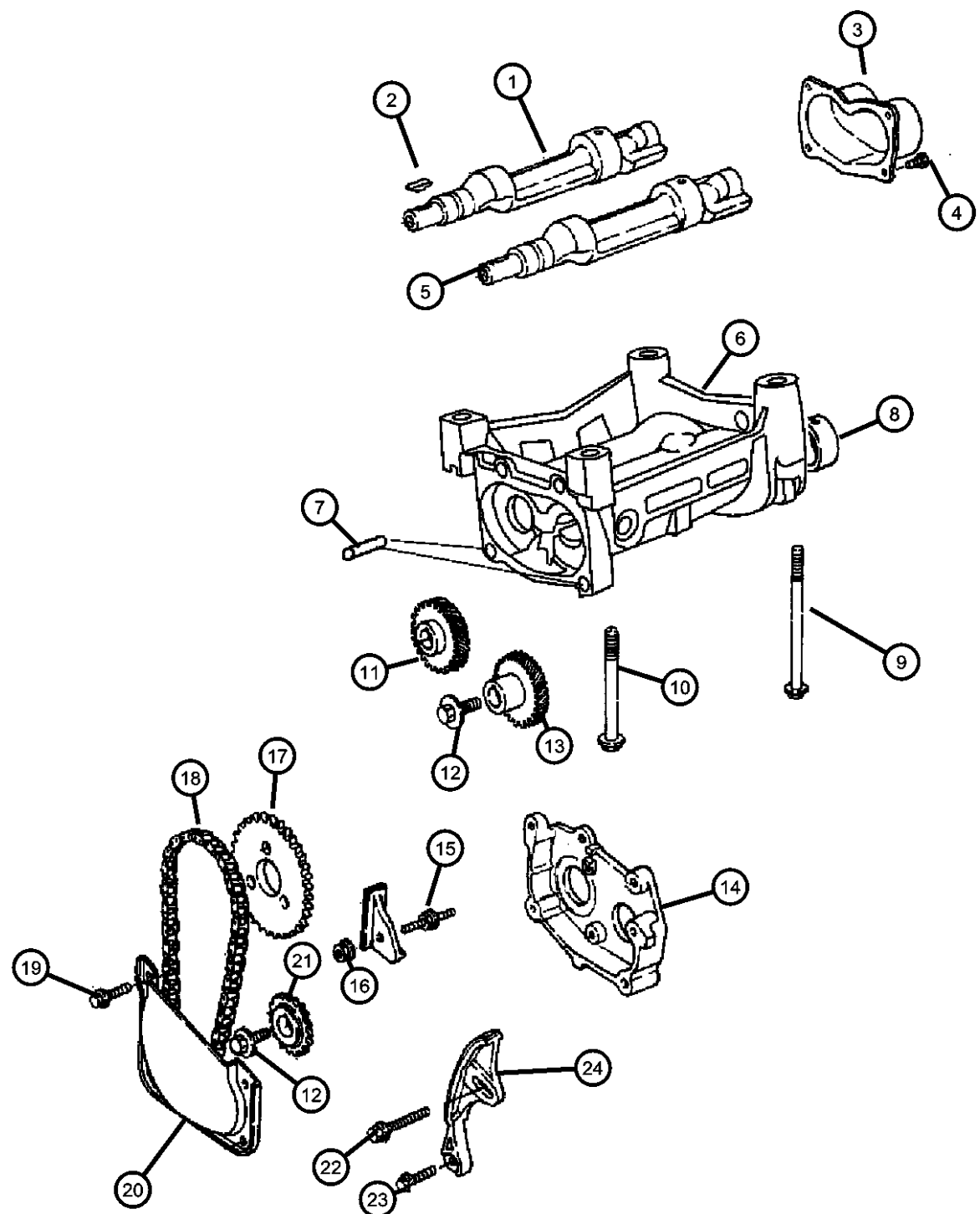
TRANSMISSION  
DGQ = Transmission-5-Spd Automatic 5-45RFE  
DG6 = Transmission-4-Spd. Automatic, 42RLE  
DEH = Transmission-6-Speed Manual, NSG370  
DG0 = Transmissions - All Automatic  
DBB = ALL MANUAL TRANSMISSIONS

AR = use ase required - = Non illustrated part

2005 KJ

**Balance Shafts, 2.4L [ED1]  
Figure 2.4L-620**

ITEM	PART NUMBER	QTY	LINE	SERIES	BODY	ENGINE	TRANS	TRIM	DESCRIPTION
Note; Sales Codes [ED0]= All 2.2L, 2.5L, 2.4L, 4 Cylinder Gas Engines									
1	04621517	1				ED0			SHAFT, Balance, Driver
2	06500150	2				ED0			KEY, Crankshaft Sprocket
3	04323043	1				ED0			COVER, Balance Shaft Carrier
4	06501714	4				ED0			SCREW AND WASHER, Hex Head, M6x1x18
5	04621518	1				ED0			SHAFT, Balance, Driver
6	04621519AE	1				ED0			CARRIER, Balance Shaft
7	05203466	2				ED0			PIN, Dowel
8	05203466	2							BEARING, Balance Shaft, Sevised With Carrier, Item 6, (NOT SERVICED)
9	06504878AA	2				ED0			BOLT
10	06503389	2				ED0			BOLT, Hex Flange Head, M10x1.50x108
11	04621952	1				ED0			GEAR, Balance Shaft Driver
12	06501404	2				ED0			SCREW AND WASHER, Hex Head, M8x1.25x25
13	04621951	1				ED0			GEAR, Balance Shaft Driven
14	04323039	1				ED0			COVER, Balance Shaft Gear
15	06505188AA	1				ED0			STUD, M6x1.00x40.00
16	06100047	1				ED0			NUT AND WASHER, Hex Nut-Coned Washer, M6 x 1.00
17	04621541	1				ED0			GEAR, Crankshaft
18	04621996	1				ED0			CHAIN, Balance Shaft
19	06100271	2				ED0			BOLT AND CONED WASHER, Hex Head, M6x45x12.5
20	04323041AD	1				ED0			TROUGH, Carrier Cover
21	04483485	1				ED0			GEAR, Balance Shaft
22	06100279	1				ED0			SCREW AND WASHER, Hex Head, M6x1x35
23	06508008AA	1				ED0			SCREW, Hex Flange Head
24	04884473AA	1				ED0			TENSIONER, Chain



**LIBERTY (KJ)**

SERIES      LINE  
P = LIMITED      J = JEEP - 4WD  
H = SPORT      U = JEEP - 4WD (RHD)  
M = RENEGADE      T = JEEP - 2WD

BODY  
74 = SPORT UTILITY 4-DR

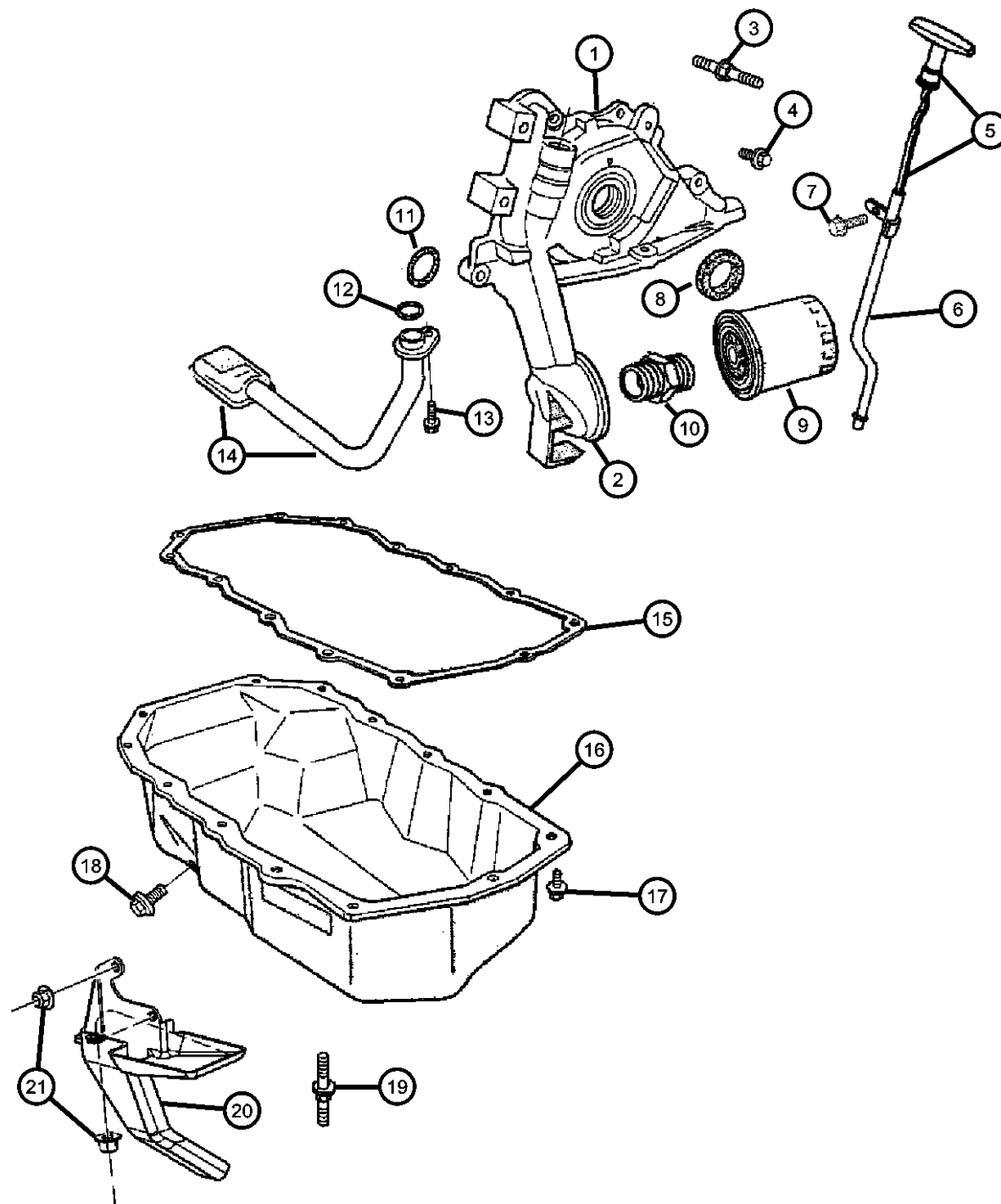
ENGINE  
ED1 = Engine - 2.4L 4 Cyl DOHC 16v SMPI  
EKG = Engine - 3.7L V6  
ENR = Engine - 2.8L 4 Cyl Turbo Diesel  
ENO = 4CYL turbo diesel

TRANSMISSION  
DGQ = Transmission-5-Spd Automatic 5-45RFE  
DG6 = Transmission-4-Spd. Automatic, 42RLE  
DEH = Transmission-6-Speed Manual, NSG370  
DG0 = Transmissions - All Automatic  
DBB = ALL MANUAL TRANSMISSIONS

AR = use ase required - = Non illustrated part

2005 KJ

**Engine Oiling, 2.4L [ED1]  
Figure 2.4L-710**



ITEM	PART NUMBER	QTY	LINE	SERIES	BODY	ENGINE	TRANS	TRIM	DESCRIPTION
Note; Sales Codes [ED0]= All 2.2L, 2.5L, 2.4L, 4 Cylinder Gas Engines									
1	53010487AA	1				ED0			PUMP, Engine Oil
2	53010534AA	1				ED0			ADAPTER, Oil Filter
3	06507335AA	3				ED0			STUD, Double Ended, Oil Pump to Adapter
4	06100296	3				ED0			BOLT, Hex Head
5	53010494AC	1				ED0			INDICATOR, Engine Oil Level
6	53010476AB	1				ED0			TUBE, Oil Filler
7	06505788AA	1				ED0			STUD
8	04667198	1				ED0			SEAL, Front Main Crankshaft
9	04105409	1				ED0			FILTER, Engine Oil
10	04694119	1				ED0			CONNECTOR, Oil Filter Adapter
11	04483444AB	3				ED0			O RING, Front Cover Oil Inlet
12	06032920	1				ED0			SEAL, Oil Pick Up Tube
13	06500070	1				ED0			SCREW AND WASHER, Hex Head, M8x1.25x25
14	53010488AA	1				ED0			TUBE, Oil Pickup
15	04621579	1				ED0			GASKET, Oil Pan
16	53010491AA	1				ED0			PAN, Engine Oil
17	06503969	11				ED0			BOLT, Hex Flange Head, M6x1.00x17
18	06035417	1				ED0			PLUG, Oil Drain
19	06502647	2				ED0			STUD, M6x1.00x44, Oil Pan Mounting
20	53013550AA	1	J, T			ED0			GUARD, Splash
21	06505316AA	3	J, T			ED0			NUT

**LIBERTY (KJ)**

SERIES      LINE  
P = LIMITED      J = JEEP - 4WD  
H = SPORT      U = JEEP - 4WD (RHD)  
M = RENEGADE      T = JEEP - 2WD

BODY  
74 = SPORT UTILITY 4-DR

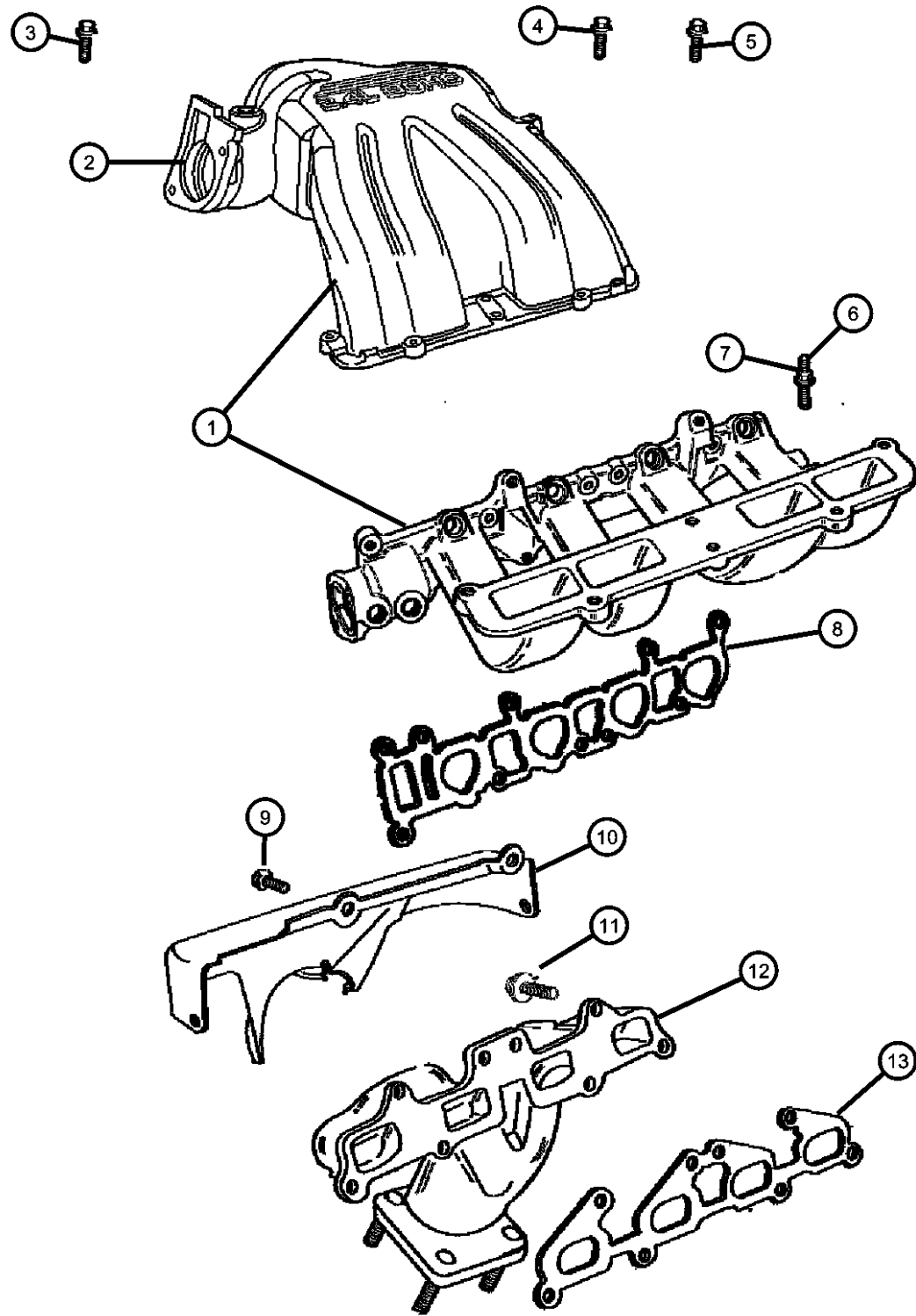
ENGINE  
ED1 = Engine - 2.4L 4 Cyl DOHC 16v SMPI  
EKG = Engine - 3.7L V6  
ENR = Engine - 2.8L 4 Cyl Turbo Diesel  
ENO = 4CYL turbo diesel

TRANSMISSION  
DGQ = Transmission-5-Spd Automatic 5-45RFE  
DG6 = Transmission-4-Spd. Automatic, 42RLE  
DEH = Transmission-6-Speed Manual, NSG370  
DG0 = Transmissions - All Automatic  
DBB = ALL MANUAL TRANSMISSIONS

AR = use ase required - = Non illustrated part

2005 KJ

**Intake and Exhaust Manifolds, 2.4L [ED1]  
Figure 2.4L-810**



ITEM	PART NUMBER	QTY	LINE	SERIES	BODY	ENGINE	TRANS	TRIM	DESCRIPTION
Note; Sales Codes [ED0]= All 2.2L, 2.5L, 2.4L, 4 Cylinder Gas Engines									
1	53013664AA	1				ED0			MANIFOLD, Intake
2	53013533AA	1				ED0			GASKET, Throttle Body To Intake
3	06101451	3				ED0			SCREW AND WASHER, Hex Head, M6x1x25
4	06102192AA	1				ED0			SCREW, Intake Manifold
5	06101506	2				ED0			BOLT AND CONED WASHER, M8x1.25x18
6	06506770AA	5				ED0			SCREW
7	06506770AA	5							NUT, Lock, (NOT REQUIRED)
8	53013534AA	4				ED0			GASKET, Intake Manifold
9	06506663AA	3				ED0			SCREW, Hex Flange Head, M8x1.25x11
10	53013264AA	1				ED0			SHIELD, Exhaust Manifold
11	06503131	10				ED0			BOLT, Hex Flange Head, M8x1.25x30
12	53013263AB	1				ED0			MANIFOLD, Exhaust
13	04781255AA	1				ED0			GASKET, Exhaust Manifold

**LIBERTY (KJ)**

SERIES      LINE  
P = LIMITED      J = JEEP - 4WD  
H = SPORT      U = JEEP - 4WD (RHD)  
M = RENEGADE      T = JEEP - 2WD

BODY  
74 = SPORT UTILITY 4-DR

ENGINE  
ED1 = Engine - 2.4L 4 Cyl DOHC 16v SMPI  
EKG = Engine - 3.7L V6  
ENR = Engine - 2.8L 4 Cyl Turbo Diesel  
ENO = 4CYL turbo diesel

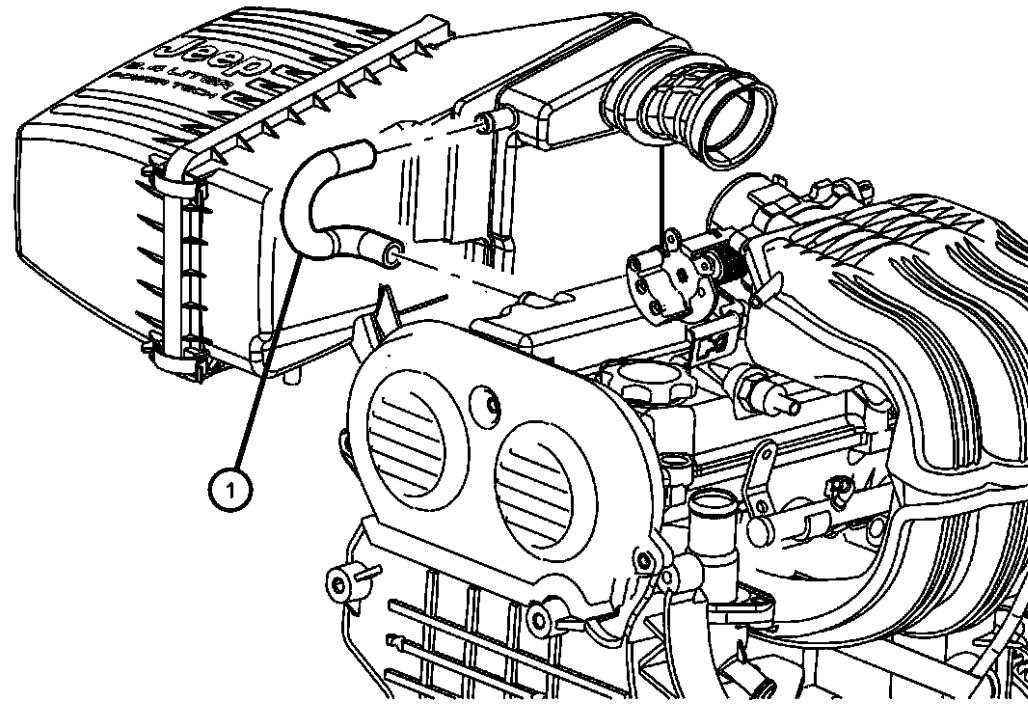
TRANSMISSION  
DGQ = Transmission-5-Spd Automatic 5-45RFE  
DG6 = Transmission-4-Spd. Automatic, 42RLE  
DEH = Transmission-6-Speed Manual, NSG370  
DG0 = Transmissions - All Automatic  
DBB = ALL MANUAL TRANSMISSIONS

AR = use ase required - = Non illustrated part

2005 KJ

**Crankcase Ventilation , 2.4L [ED1]  
Figure 2.4L-910**

ITEM	PART NUMBER	QTY	LINE	SERIES	BODY	ENGINE	TRANS	TRIM	DESCRIPTION
Note; Sales Codes [ED0]= All 2.2L, 2.5L, 2.4L, 4 Cylinder Gas Engines									
1	53013093AA	1				ED0			TUBE, Crankcase Vent To Air Cleaner
-2	04777240AD	1				ED0			VALVE, PCV, Threaded Style
-3	53013231AA	1				ED0			HARNASS, CCV to Intake Manifold



**LIBERTY (KJ)**

SERIES      LINE  
P = LIMITED      J = JEEP - 4WD  
H = SPORT      U = JEEP - 4WD (RHD)  
M = RENEGADE      T = JEEP - 2WD

BODY  
74 = SPORT UTILITY 4-DR

ENGINE  
ED1 = Engine - 2.4L 4 Cyl  
DOHC 16v SMPI  
EKG = Engine - 3.7L V6  
ENR = Engine - 2.8L 4 Cyl  
Turbo Diesel  
ENO = 4CYL turbo diesel

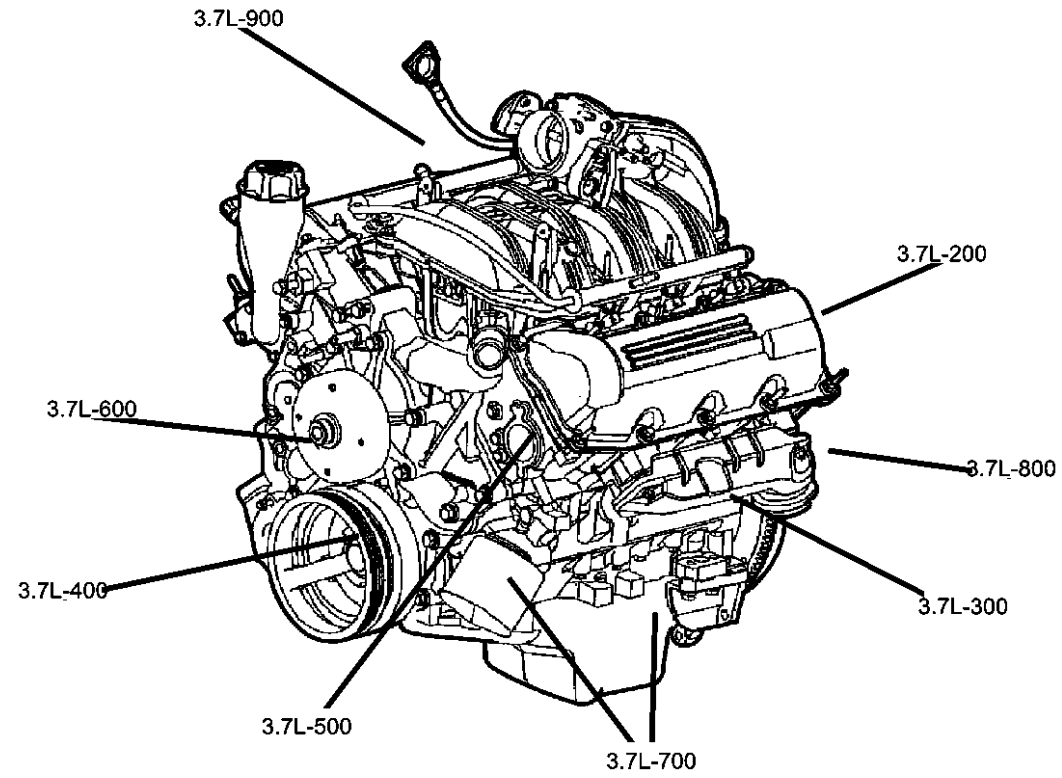
TRANSMISSION  
DGQ = Transmission-5-Spd Automatic  
5-45RFE  
DG6 = Transmission-4-Spd.  
Automatic, 42RLE  
DEH = Transmission-6-Speed Manual,  
NSG370  
DG0 = Transmissions - All Automatic  
DBB = ALL MANUAL  
TRANSMISSIONS

AR = use ase required - = Non illustrated part

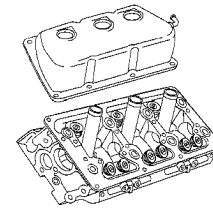
2005 KJ

# Group - 3.7L

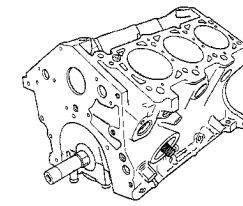
## Engine 3.7L Six Cylinder



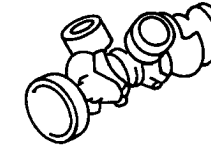
**3.7L-200**  
Cylinder Head



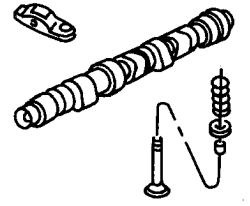
**3.7L-300**  
Cylinder Block



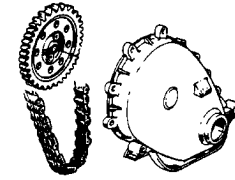
**3.7L-400**  
Crankshaft, Piston and Torque Converter



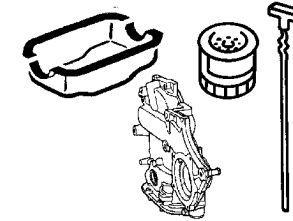
**3.7L-500**  
Camshafts & Valves



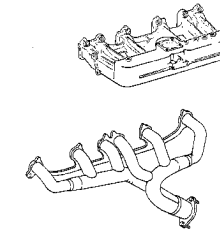
**3.7L-600**  
Timing Belt and Cover



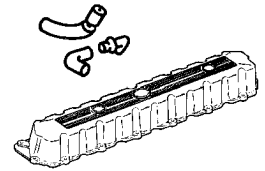
**3.7L-700**  
Engine Oiling



**3.7L-800**  
Manifolds



**3.7L-900**  
Crankcase Ventilation



---

## Group - 3.7L Engine 3.7L Six Cylinder

Illustration Title	Group-Fig. No.
<b>Cylinder Head</b>	
Cylinder Head 3.7L [EKG] .....	Fig. 3.7L - 210
<b>Cylinder Block</b>	
Cylinder Block, 3.7L [EKG] .....	Fig. 3.7L - 310
<b>Crankshaft, Piston and Torque Converter</b>	
Crankshaft, Pistons and Flywheel, 3.7L [EKG] .....	Fig. 3.7L - 410
<b>Camshafts &amp; Valves</b>	
Camshaft And Valve, 3.7L [EKG] .....	Fig. 3.7L - 510
<b>Timing Belt and Cover</b>	
Timing Cover, 3.7L [EKG] .....	Fig. 3.7L - 610
Timing Chain and Guides, 3.7L [EKG] .....	Fig. 3.7L - 620
<b>Engine Oiling</b>	
Engine Oiling, 3.7L [EKG] .....	Fig. 3.7L - 710
<b>Manifolds</b>	
Manifolds, Intake and Exhaust, 3.7L [EKG] .....	Fig. 3.7L - 810
<b>Crankcase Ventilation</b>	
Crankcase Ventilation, 3.7L [EKG] .....	Fig. 3.7L - 910



**Cylinder Head 3.7L [EKG]  
Figure 3.7L-210**

ITEM	PART NUMBER	QTY	LINE	SERIES	BODY	ENGINE	TRANS	TRIM	DESCRIPTION
------	-------------	-----	------	--------	------	--------	-------	------	-------------

NOTES: Upper Gasket Package Contains: Cylinder Head and Cylinder Head Cover Gaskets, Intake and Exhaust Manifold Gaskets, Throttle Body  
SALES CODES:  
[EK0] = All 3.7L 6 Cylinder Gas Engines

-1									GASKET PACKAGE, Engine Upper, See Notes
	05135792AA	1				EK0	DBB		For Metal Cylinder Heads
		1				EK0	DG0		For Metal Cylinder Heads
	05170703AA	1				EK0	DBB		For Plastic Cylinder Heads
		1				EK0	DG0		For Plastic Cylinder Heads
2	53020987AC	1				EK0			HEAD, Cylinder, Left
3	53020988AC	1				EK0			HEAD, Cylinder, Right
4	06506785AA	8				EK0			SCREW AND WASHER, Hex Head
5	06505528AA	16				EK0			SCREW AND WASHER, Hex Head
6	53020989	2				EK0			GASKET, Cylinder Head, Left and Right
7	01122532	2				EK0			DOWEL, Block To Clutch Housing
8									GASKET, Valve Cover
	53021958AA	1				EK0			Use with Plastic Cylinder Head Covers, Right
	53021959AA	1				EK0			Use with Plastic Cylinder Head Covers, Left
9									COVER, Cylinder Head, Left
	53020995	1				EK0			Metal Cover, with Gasket and Screws
	53021937AA	4				EK0			Plastic Cover, with Gasket and Screws
10									COVER, Cylinder Head, Right
	53020996	1				EK0			Metal Cover, with Gasket and Screws
	53021938AA	4				EK0			Plastic Cover, with Gasket and Screws
11									SCREW
	06508296AA	4				EK0			Use with Plastic Cylinder Head Covers, Right
		5				EK0			Use with Plastic Cylinder Head Covers, Left
	53021309AA	5				EK0			Use with Metal Cylinder Head Covers, Left

**LIBERTY (KJ)**

SERIES      LINE  
P = LIMITED    J = JEEP - 4WD  
H = SPORT      U = JEEP - 4WD (RHD)  
M = RENEGADE   T = JEEP - 2WD

BODY  
74 = SPORT UTILITY 4-DR

ENGINE  
ED1 = Engine - 2.4L 4 Cyl DOHC 16v SMPI  
EKG = Engine - 3.7L V6  
ENR = Engine - 2.8L 4 Cyl Turbo Diesel  
ENO = 4CYL turbo diesel

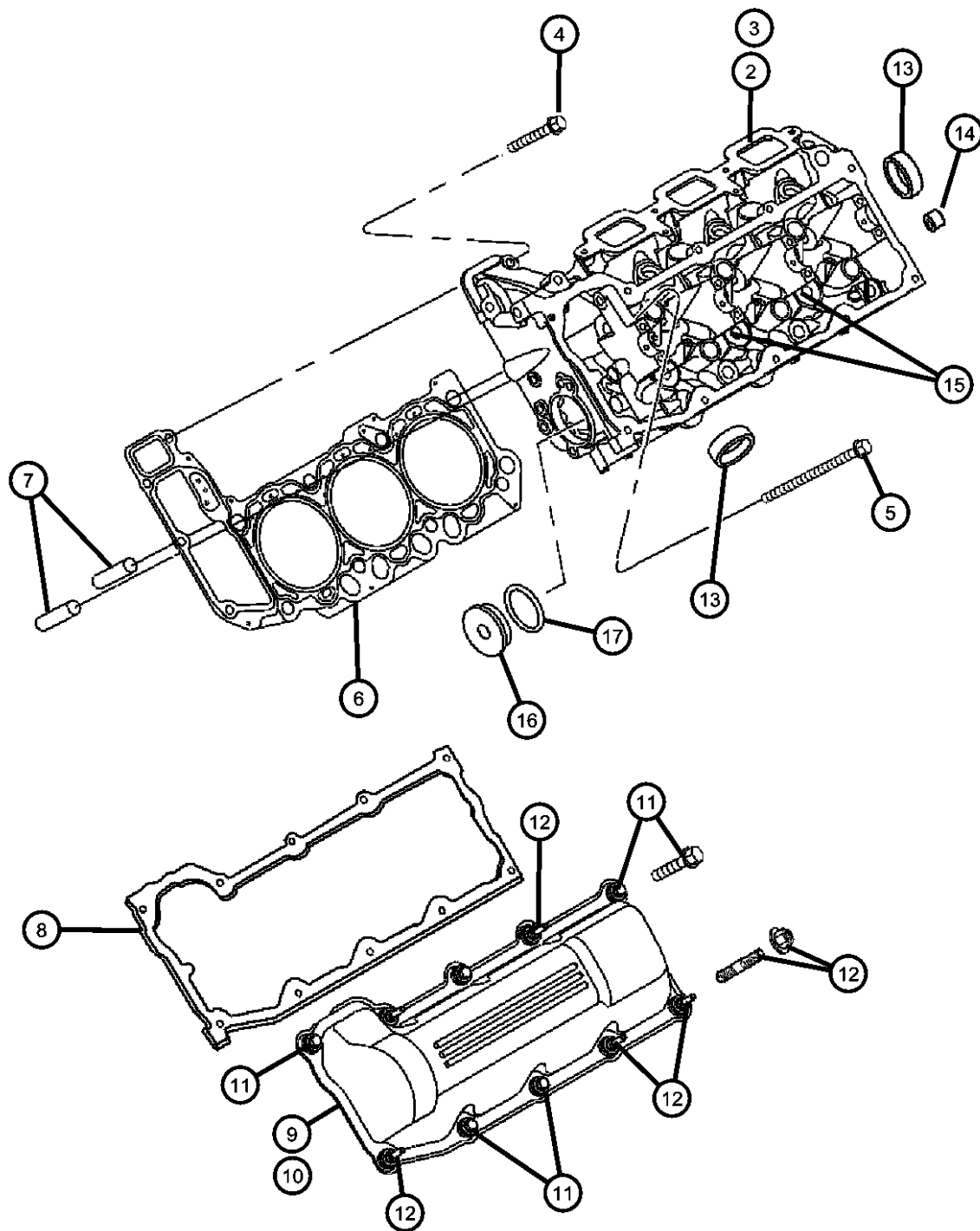
TRANSMISSION  
DGQ = Transmission-5-Spd Automatic 5-45RFE  
DG6 = Transmission-4-Spd. Automatic, 42RLE  
DEH = Transmission-6-Speed Manual, NSG370  
DG0 = Transmissions - All Automatic  
DBB = ALL MANUAL TRANSMISSIONS

AR = use ase required - = Non illustrated part

2005 KJ

**Cylinder Head 3.7L [EKG]  
Figure 3.7L-210**

ITEM	PART NUMBER	QTY	LINE	SERIES	BODY	ENGINE	TRANS	TRIM	DESCRIPTION
		4				EK0			Use with Metal Cylinder Head Covers, Right
12		4							STUD, Serviced With Valve Cover, (NOT SERVICED),
13									PLUG, Core, 1.25 Diameter, Water Jacket Core
	04556020	2				EK0			Left
		2				EK0			Right
14									PLUG, Oil Gallery .25-18x.413
	06036307AA	1				EK0			Rear of Head, Left
		1				EK0			Rear of Head, Right
15									PLUG, Hex Socket, 3/8-18NPTx.475
	06034331	2				EK0			Left
		2				EK0			Right
16	53021031	1				EK0			PLUG, Access Hole
17	53021032	1				EK0			O RING



**LIBERTY (KJ)**

SERIES      LINE  
P = LIMITED      J = JEEP - 4WD  
H = SPORT      U = JEEP - 4WD (RHD)  
M = RENEGADE      T = JEEP - 2WD

BODY  
74 = SPORT UTILITY 4-DR

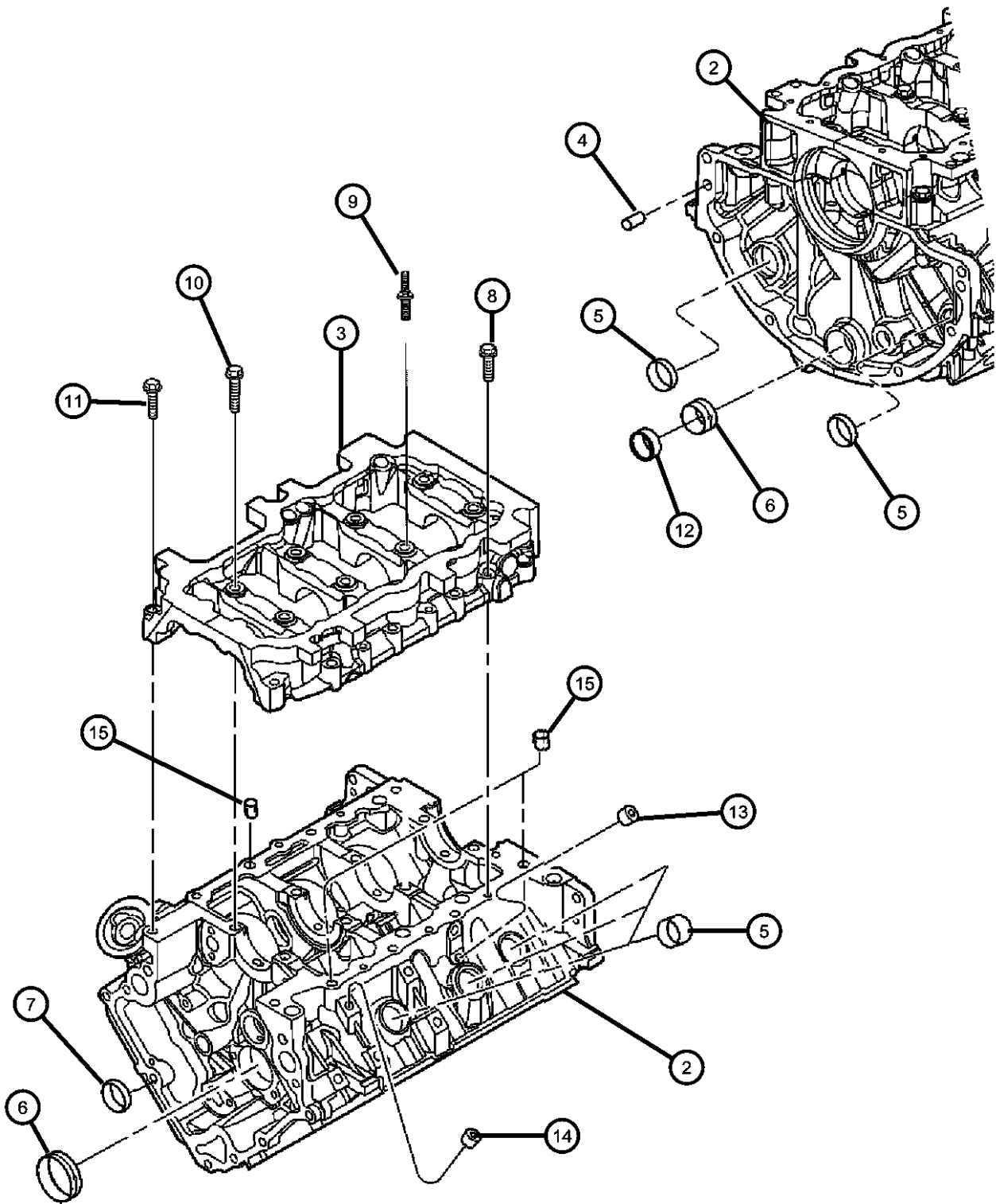
ENGINE  
ED1 = Engine - 2.4L 4 Cyl DOHC 16v SMPI  
EKG = Engine - 3.7L V6  
ENR = Engine - 2.8L 4 Cyl Turbo Diesel  
ENO = 4CYL turbo diesel

TRANSMISSION  
DGQ = Transmission-5-Spd Automatic 5-45RFE  
DG6 = Transmission-4-Spd. Automatic, 42RLE  
DEH = Transmission-6-Speed Manual, NSG370  
DG0 = Transmissions - All Automatic  
DBB = ALL MANUAL TRANSMISSIONS

AR = use ase required - = Non illustrated part

2005 KJ

**Cylinder Block, 3.7L [EKG]  
Figure 3.7L-310**



ITEM	PART NUMBER	QTY	LINE	SERIES	BODY	ENGINE	TRANS	TRIM	DESCRIPTION
------	-------------	-----	------	--------	------	--------	-------	------	-------------

NOTES: Lower Gasket Package contains: Front and Rear Crankshaft Seals, Oil Pick Up Tube Seal; Oil Pan, Chain Case and Water Pump Gaskets  
Sales Codes  
[EK0] = All 3.7L 6 Cylinder Gas Engines

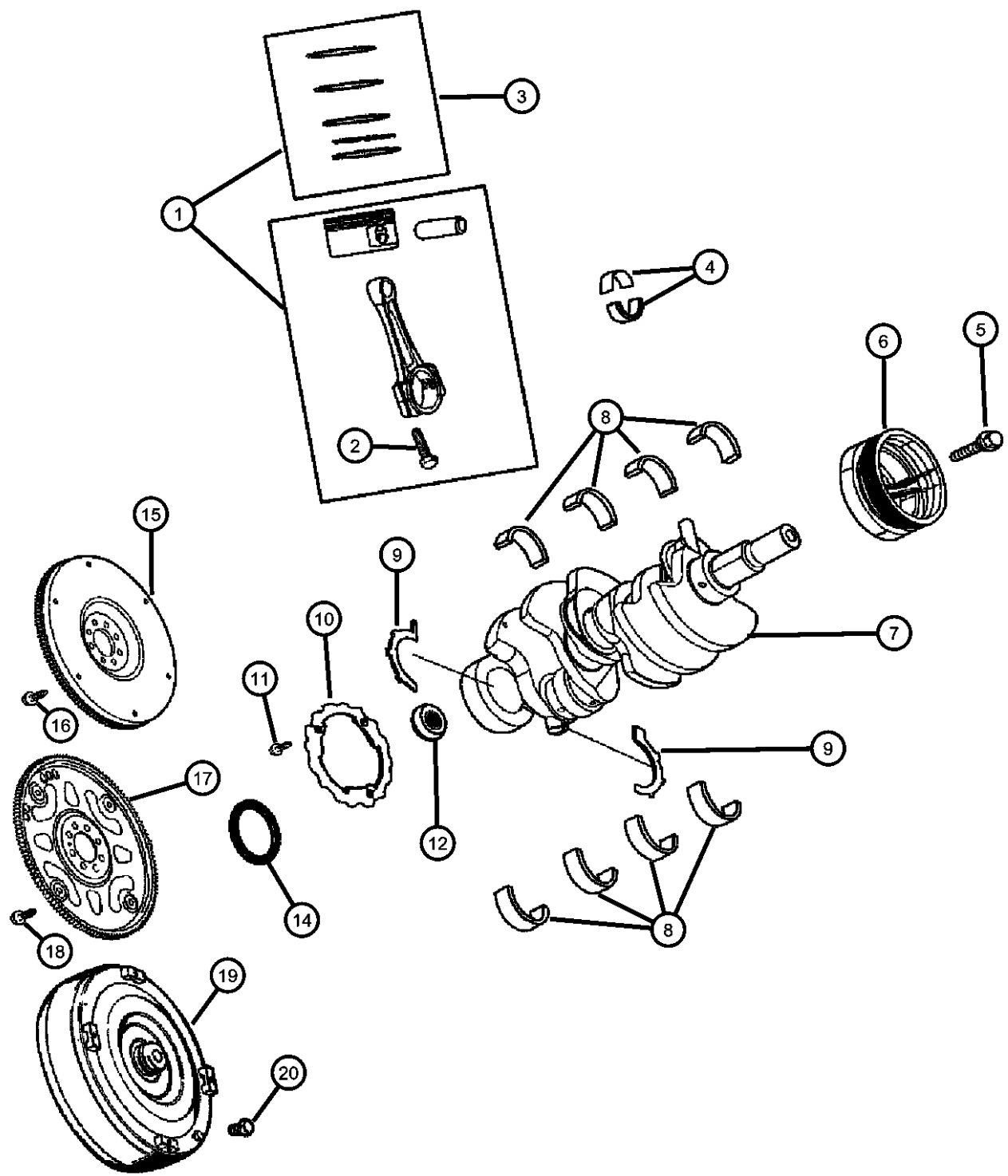
-1									GASKET PACKAGE, Engine Lower, See Notes
	05135793AA	1				EK0	DBB		
		1				EK0	DG0		
2	05103475AA	1				EK0			BLOCK, Short
	R2637044								Mopar Reman Long Block w/Head(s) 2004 Only
	04761838AB								Mopar 5W-30 Engine Oil Quart
	04761844AC								Mopar 5W-30 Engine Oil Gallon
	P5007323								Performance Mobil 1, 5W - 30 Tri-Synthetic Engine Oil, Quart
3	05103475AA	1							BEDPLATE, Serviced With Short Block, (NOT SERVICED)
4	01122532	2				EK0			DOWEL, Block To Clutch Housing
5	06034804	8				EK0			PLUG, Core, 1.39 Diameter
6	06034804	8							BUSHING, Balance Shaft, Serviced In Short Block Only, (NOT SERVICED)
7	06034804	8				EK0			PLUG, Core, 1.39 Diameter
8	06102156AA	5				EK0			SCREW, Hex Flange Head, M8x1.25x44
9	06506187AA	2				EK0			STUD
10	06505394AA	6				EK0			SCREW AND WASHER
11	06504410	7				EK0			SCREW, Hex Head
12	04663942	1				EK0			PLUG, Core, 1.50 Diameter
13	06036307AA	3				EK0			PLUG, Cylinder Block Coolant Drain, [.250-18x.413]
14	06036114AA	4				EK0			PLUG, Pipe, Cylinder Block Oil Hole, [.500-14x.560]
15	53010533AA	5				EK0			DOWEL

<b>LIBERTY (KJ)</b>					
SERIES	LINE	BODY	ENGINE	TRANSMISSION	
P = LIMITED	J = JEEP - 4WD	74 = SPORT UTILITY 4-DR	ED1 = Engine - 2.4L 4 Cyl DOHC 16v SMPI	DGQ = Transmission-5-Spd Automatic 5-45RFE	
H = SPORT	U = JEEP - 4WD (RHD)		EKG = Engine - 3.7L V6	DG6 = Transmission-4-Spd. Automatic, 42RLE	
M = RENEGADE	T = JEEP - 2WD		ENR = Engine - 2.8L 4 Cyl Turbo Diesel	DEH = Transmission-6-Speed Manual, NSG370	
			ENO = 4CYL turbo diesel	DG0 = Transmissions - All Automatic	
				DBB = ALL MANUAL TRANSMISSIONS	

AR = use ase required - = Non illustrated part



**Crankshaft, Pistons and Flywheel, 3.7L [EKG]  
Figure 3.7L-410**

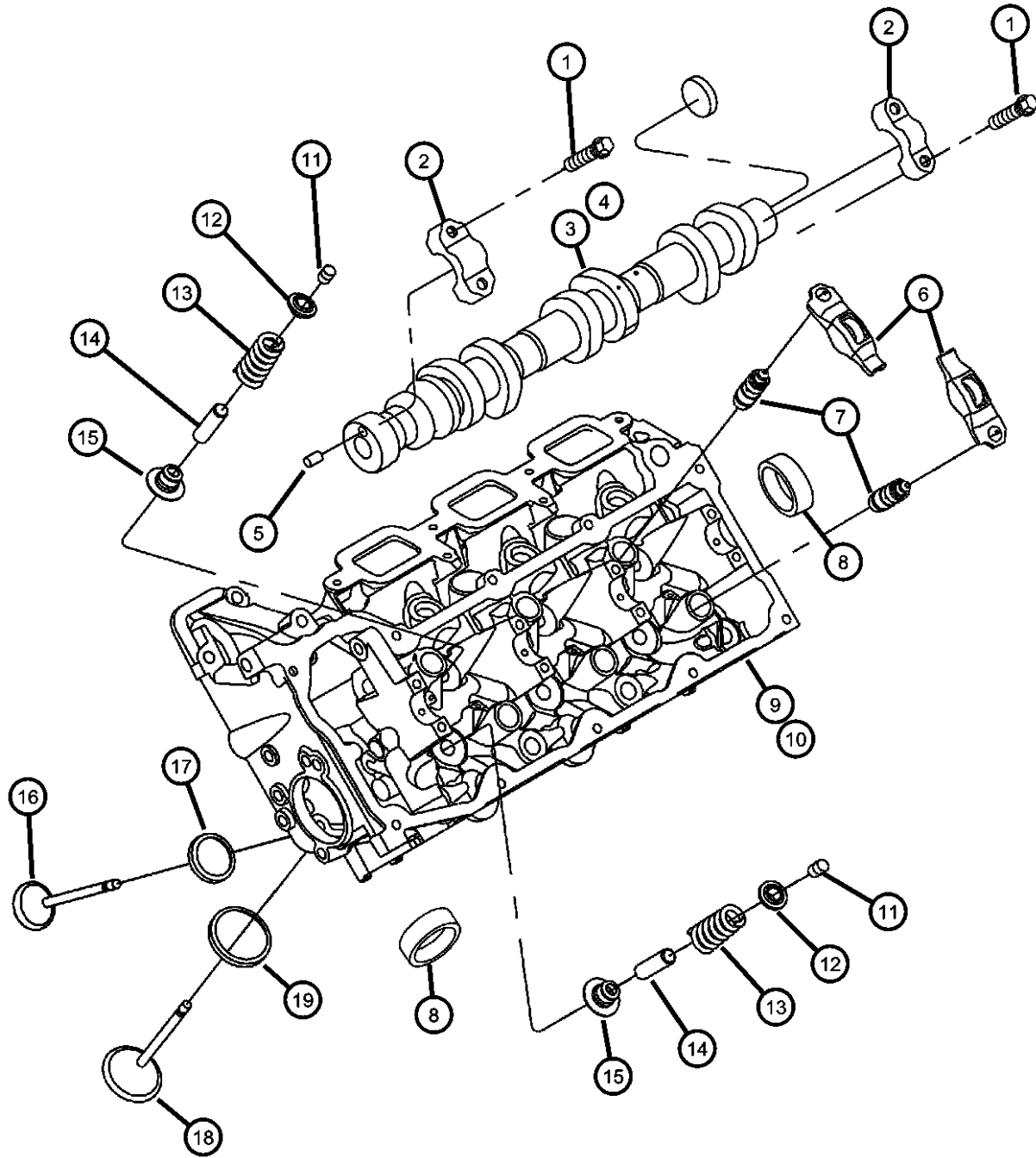


ITEM	PART NUMBER	QTY	LINE	SERIES	BODY	ENGINE	TRANS	TRIM	DESCRIPTION
19	05093944AB	1	J, U				DG6		CONVERTER PACKAGE, Torque
		1	T				DG6		
20	01949765	4					DGQ		SCREW, Hex Head Header Point, .312-24x.44, Driveplate to Conv

<b>LIBERTY (KJ)</b>				
SERIES	LINE	BODY	ENGINE	TRANSMISSION
P = LIMITED	J = JEEP - 4WD	74 = SPORT UTILITY 4-DR	ED1 = Engine - 2.4L 4 Cyl DOHC 16v SMPI	DGQ = Transmission-5-Spd Automatic 5-45RFE
H = SPORT	U = JEEP - 4WD (RHD)		EKG = Engine - 3.7L V6	DG6 = Transmission-4-Spd. Automatic, 42RLE
M = RENEGADE	T = JEEP - 2WD		ENR = Engine - 2.8L 4 Cyl Turbo Diesel	DEH = Transmission-6-Speed Manual, NSG370
			ENO = 4CYL turbo diesel	DG0 = Transmissions - All Automatic
				DBB = ALL MANUAL TRANSMISSIONS

AR = use ase required - = Non illustrated part

**Camshaft And Valve, 3.7L [EKG]  
Figure 3.7L-510**



ITEM	PART NUMBER	QTY	LINE	SERIES	BODY	ENGINE	TRANS	TRIM	DESCRIPTION
------	-------------	-----	------	--------	------	--------	-------	------	-------------

NOTES:  
Sales Codes  
[EK0] = All 3.7L 6 Cylinder Gas Engines

1									SCREW, M6x1x40
	06505034AA	8				EK0			Left
		8				EK0			Right
2		8							CAP, Serviced With Head Only, (NOT SERVICED)
3	53021893AA	1				EK0			CAMSHAFT, Engine, Left
4	53021892AA	1				EK0			CAMSHAFT, Engine, Right
5									DOWEL, M6x14
	06100902	1				EK0			Right
		1				EK0			Left
6	53021913AB	12				EK0			ROCKER ARM, Valve
7	53021894AA	12				EK0			ADJUSTER, Valve Lash
8									PLUG, Core, 1.25 Diameter
	04556020	2				EK0			Left
		2				EK0			Right
9	53020987AC	1				EK0			HEAD, Cylinder, Left
10	53020988AC	1				EK0			HEAD, Cylinder, Right
11	04536513AB	24				EK0			LOCK, Valve Spring Retainer
12	04781090AA	12				EK0			RETAINER, Valve Spring
13									SPRING, Valve
	53021873AA	6				EK0			Exhaust
	53021887AA	6				EK0			Intake
14	53021887AA	6							INSERT, Valve Guide, Serviced With Head Only, (NOT SERVICED)
15	53020752AD	12				EK0			SEAL, Valve Guide
16	53021916AA	6				EK0			VALVE, Exhaust, Standard
17	53021916AA	6							SEAT, Exhaust Valve, Serviced With Head Only, (NOT SERVICED)
18	53020747AB	6				EK0			VALVE, Intake, Standard
19	53020747AB	6							SEAT, Intake Valve, Serviced With Head Only, (NOT SERVICED)

**LIBERTY (KJ)**

SERIES      LINE  
P = LIMITED      J = JEEP - 4WD  
H = SPORT      U = JEEP - 4WD (RHD)  
M = RENEGADE      T = JEEP - 2WD

BODY  
74 = SPORT UTILITY 4-DR

ENGINE  
ED1 = Engine - 2.4L 4 Cyl DOHC 16v SMPI  
EKG = Engine - 3.7L V6  
ENR = Engine - 2.8L 4 Cyl Turbo Diesel  
ENO = 4CYL turbo diesel

TRANSMISSION  
DGQ = Transmission-5-Spd Automatic 5-45RFE  
DG6 = Transmission-4-Spd. Automatic, 42RLE  
DEH = Transmission-6-Speed Manual, NSG370  
DG0 = Transmissions - All Automatic  
DBB = ALL MANUAL TRANSMISSIONS

AR = use ase required - = Non illustrated part

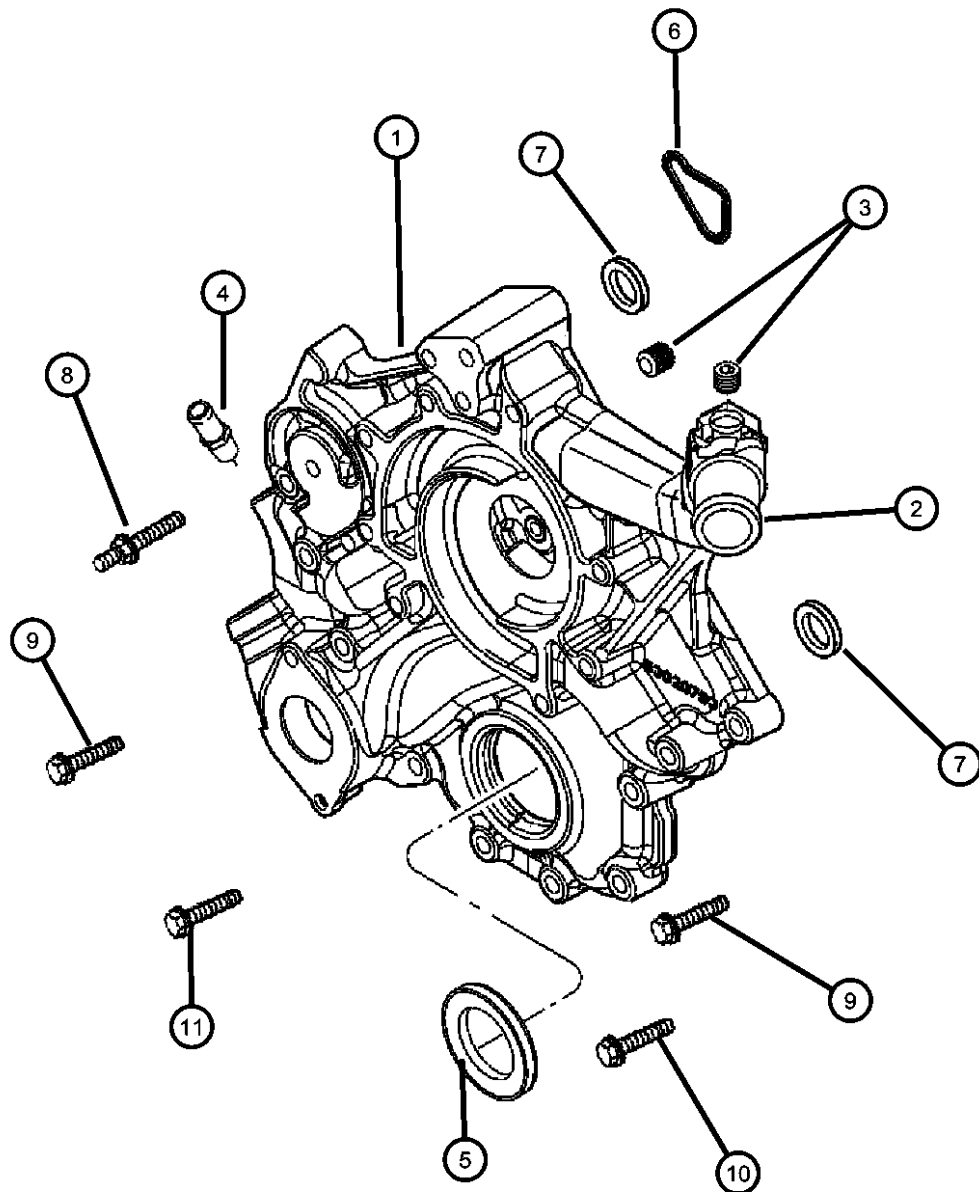
2005 KJ

**Timing Cover, 3.7L [EKG]  
Figure 3.7L-610**

ITEM	PART NUMBER	QTY	LINE	SERIES	BODY	ENGINE	TRANS	TRIM	DESCRIPTION
------	-------------	-----	------	--------	------	--------	-------	------	-------------

NOTES:  
Sales Codes  
[EKG] = All 3.7L 6 Cylinder Gas Engines

1	53021238AB	1				EK0			COVER, Chain Case
2	53021238AB	1							PIPE FITTING, Chain Case Cover, .375-18x2, Serviced with Cover, (NOT SERVICED)
3	06034331	3				EK0			PLUG, Hex Socket, 3/8-18NPTx.475, Also serviced with Cover
4	06035854	2				EK0			NIPPLE, Also serviced with Cover
5	53021313AA	1				EK0			SEAL, Crankshaft Oil, Front, Also serviced with Cover
6	53021226AA	1				EK0			GASKET, Chain Case Cover, Also serviced with Cover
7	53021239AA	2				EK0			O RING, Also serviced with Cover
8	06505293AA	1				EK0			STUD
9	06507776AA	3				EK0			SCREW, Hex Flange Head
10	06102380AA	5				EK0			SCREW, Hex Flange Head
11	06102381AA	5				EK0			SCREW, Hex Flange Head



**LIBERTY (KJ)**

SERIES      LINE  
P = LIMITED    J = JEEP - 4WD  
H = SPORT      U = JEEP - 4WD (RHD)  
M = RENEGADE   T = JEEP - 2WD

BODY  
74 = SPORT UTILITY 4-DR

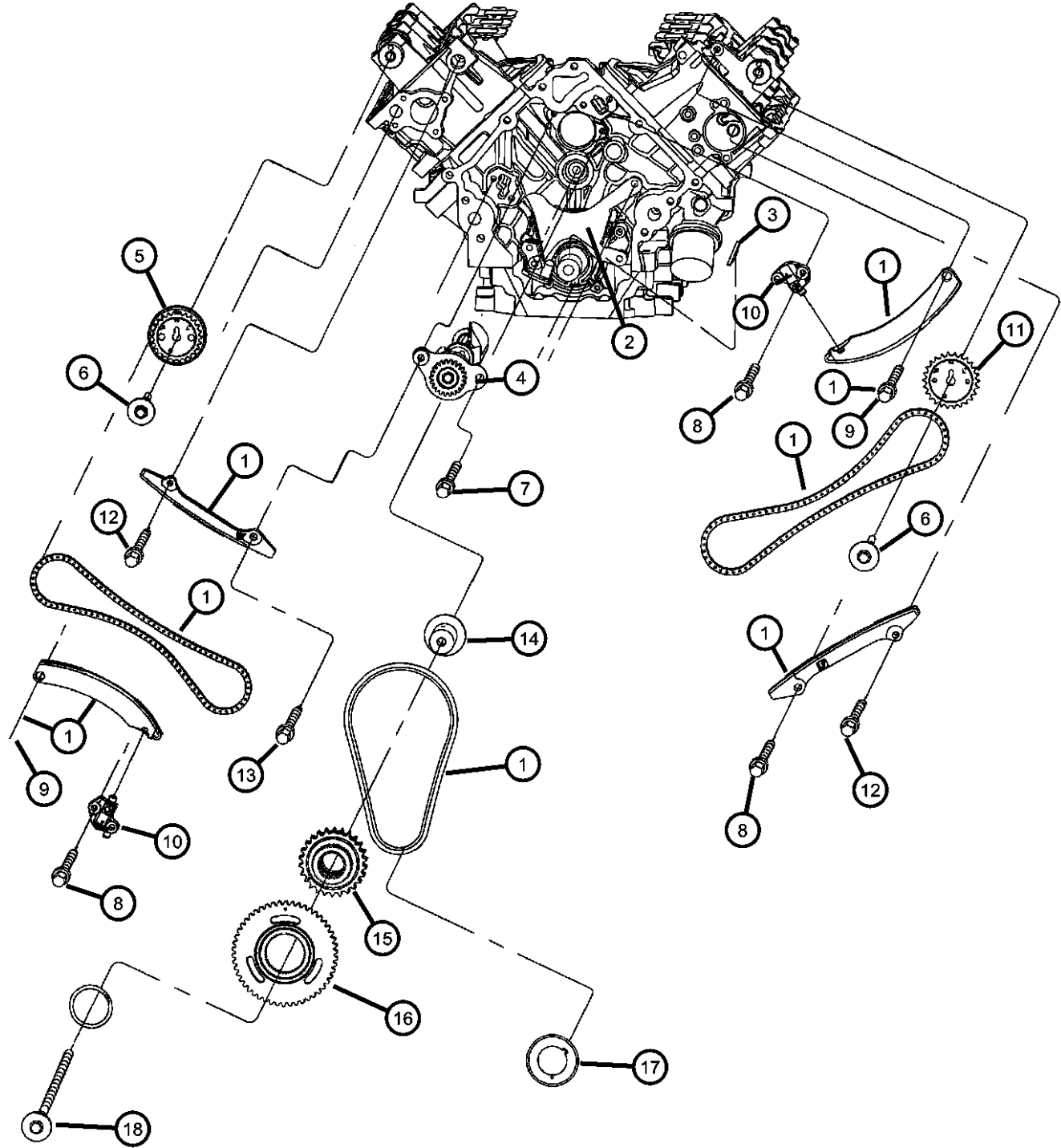
ENGINE  
ED1 = Engine - 2.4L 4 Cyl DOHC 16v SMPI  
EKG = Engine - 3.7L V6  
ENR = Engine - 2.8L 4 Cyl Turbo Diesel  
ENO = 4CYL turbo diesel

TRANSMISSION  
DGQ = Transmission-5-Spd Automatic 5-45RFE  
DG6 = Transmission-4-Spd. Automatic, 42RLE  
DEH = Transmission-6-Speed Manual, NSG370  
DG0 = Transmissions - All Automatic  
DBB = ALL MANUAL TRANSMISSIONS

AR = use ase required - = Non illustrated part

2005 KJ

**Timing Chain and Guides, 3.7L [EKG]  
Figure 3.7L-620**



ITEM	PART NUMBER	QTY	LINE	SERIES	BODY	ENGINE	TRANS	TRIM	DESCRIPTION
------	-------------	-----	------	--------	------	--------	-------	------	-------------

NOTES:  
Sales Codes  
[EK0] = All 3.7L, 6 Cylinder Gas Engines

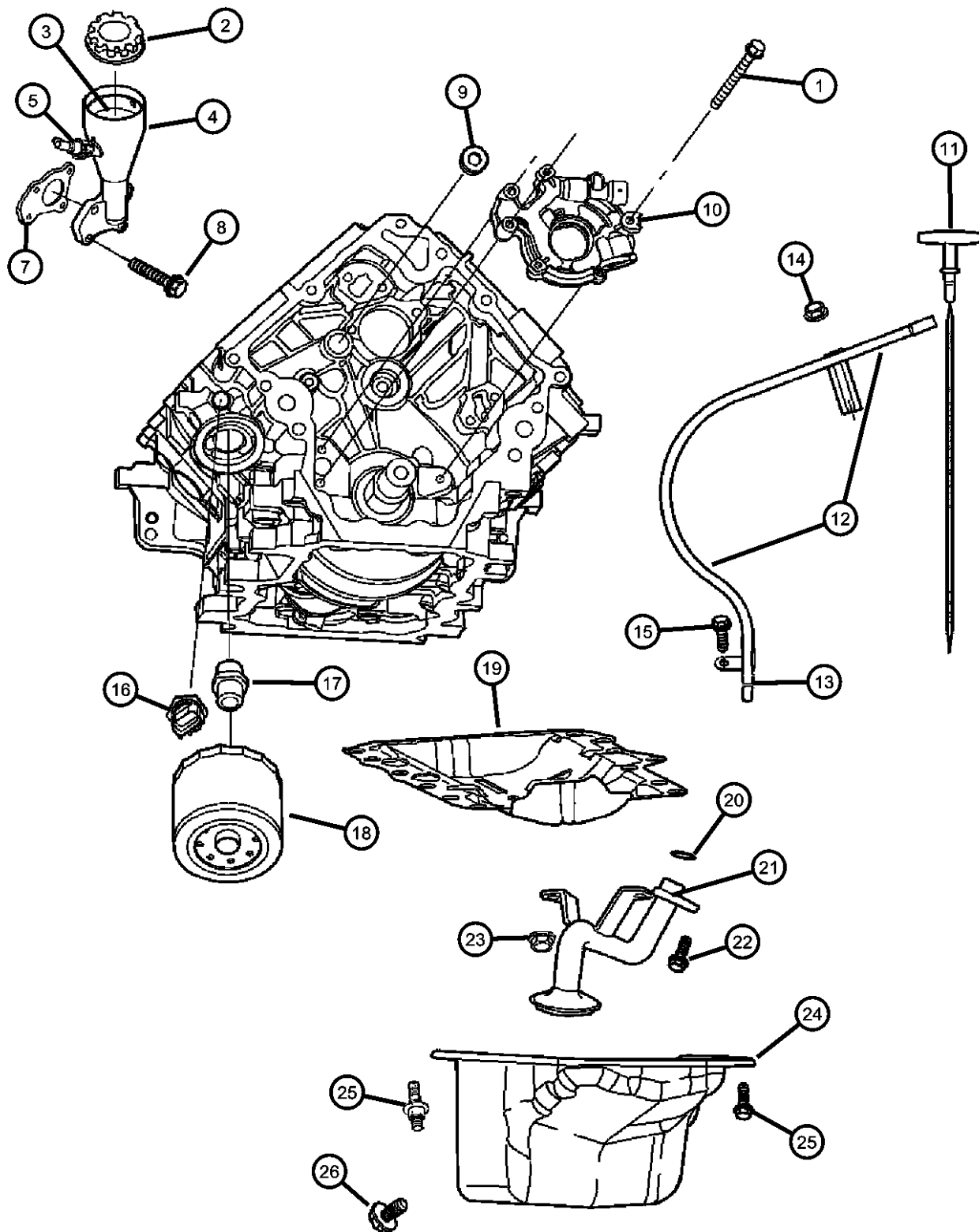
1	05019423AC	1				EK0			TIMING DRIVE PACKAGE, Engine
2	53020681	1				EK0			TENSIONER, Chain, Primary, Also serviced in Timing Drive Package KEY, Woodruff
3	06504471	1				EK0			SHAFT, Balance
4	53020818	1				EK0			SHAFT, Balance
5	53021291AD	1				EK0			SPROCKET, Camshaft, Right
6	06504429	2				EK0			SCREW AND WASHER, Hex
7	06101452	1				ED0, EK0			SCREW AND WASHER, Hex Head, M8x1.25x20
8	06503257	5				EK0			BOLT, Hex Head, M8x1.25x37.50
9	06506028AA	2				EK0			SCREW, Also serviced in Drive Package
10									TENSIONER, Chain
	53021249AA	1				EK0			Secondary, Right
	53021250AA	1				EK0			Secondary, Left
11	53021290AA	1				EK0			SPROCKET, Camshaft, Left
12	06102111AA	2				EK0			SCREW AND WASHER
13	06102190AA	1				EK0			SCREW
14	53020835	1				EK0			SHAFT, Idler
15	53021298AB	1				EK0			SHAFT, Balance, Driver
16	53021170AA	1				EK0			SPROCKET, Idler
17	53020679	1				EK0			SPROCKET, Crankshaft
18	06504370	1				EK0			SCREW AND WASHER, Hex

<b>LIBERTY (KJ)</b>				
SERIES	LINE	BODY	ENGINE	TRANSMISSION
P = LIMITED	J = JEEP - 4WD	74 = SPORT UTILITY 4-DR	ED1 = Engine - 2.4L 4 Cyl DOHC 16v SMPI	DGQ = Transmission-5-Spd Automatic 5-45RFE
H = SPORT	U = JEEP - 4WD (RHD)		EKG = Engine - 3.7L V6	DG6 = Transmission-4-Spd. Automatic, 42RLE
M = RENEGADE	T = JEEP - 2WD		ENR = Engine - 2.8L 4 Cyl Turbo Diesel	DEH = Transmission-6-Speed Manual, NSG370
			ENO = 4CYL turbo diesel	DG0 = Transmissions - All Automatic
				DBB = ALL MANUAL TRANSMISSIONS

AR = use ase required - = Non illustrated part



**Engine Oiling, 3.7L [EKG]  
Figure 3.7L-710**



ITEM	PART NUMBER	QTY	LINE	SERIES	BODY	ENGINE	TRANS	TRIM	DESCRIPTION
------	-------------	-----	------	--------	------	--------	-------	------	-------------

NOTES:  
Sales Code  
[EK0] = All 3.7L 6 Cylinder Gas Engines

1	06100932	1				EK0			BOLT, Hex
2	53032389AD	1				EK0			CAP, Oil Filler
3	53032126AA	1				EK0			BAFFLE, Oil Fill, None
4	53020890	1				EK0			HOUSING, Oil Fill
5	53032800AA	1				EK0			VALVE, Crankcase Vent
-6	53031711AA	1				EK0			O RING
7	53020889AC	1				EK0			GASKET, Oil Fill Housing
8	06505504AA	3				EK0			SCREW
9	06036114AA	4				EK0			PLUG, Pipe
10	53020827	1				EK0			PUMP, Engine Oil
11	53021026AH	1				EK0			INDICATOR, Engine Oil Level
12	53021274AF	1				EK0			TUBE, Oil Gauge
13	53021144AA	1				EK0			O RING, Engine Oil Indicator
14	06102050AA	1				EK0			SCREW, Hex Flange Head, M6.3 x 1.81 x 15.00
15	06504810AA	1				EK0			SCREW AND WASHER, Hex
16	04868672AA	1				EK0			SWITCH, Oil Pressure
17	53007563	1				EK0			CONNECTOR, Oil Filter
18	04781452AA	1				EK0			FILTER, Engine Oil
19	53021001AB	1				EK0			GASKET, Oil Pan
20	53020861	1				EK0			SEAL, Oil Pick Up Tube
21	53021776AA	1				EK0			TUBE, Oil Pickup
22	06102046AA	1				EK0			SCREW AND WASHER
23	06502756	2				EK0			NUT, Hex Lock, M8x1.25
24	53021779AB	1				EK0			PAN, Engine Oil
25	06504810AA	1				EK0			SCREW AND WASHER, Hex
26	06506100AA	1				EK0			PLUG, Oil Drain

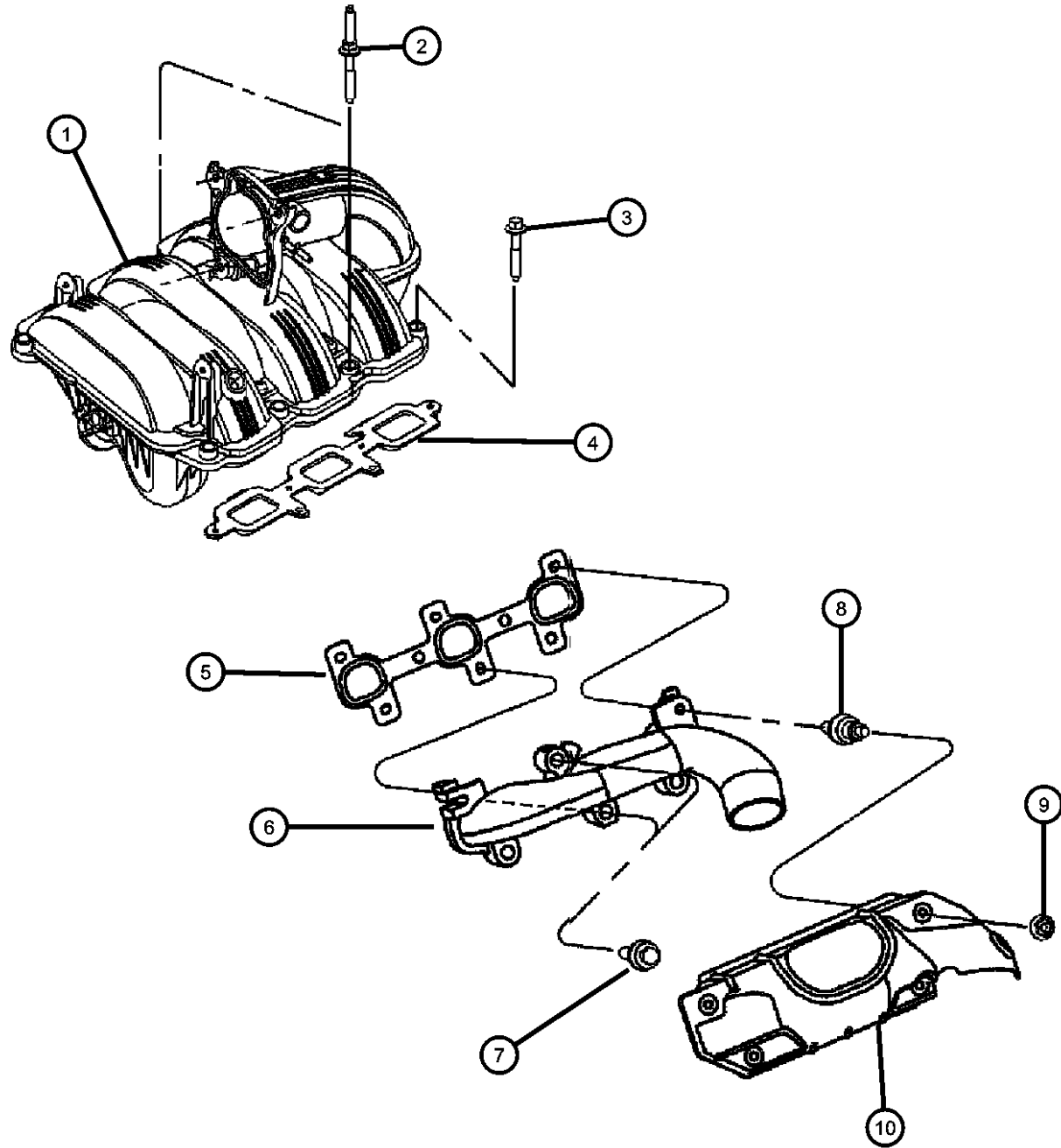
<b>LIBERTY (KJ)</b>				
SERIES	LINE	BODY	ENGINE	TRANSMISSION
P = LIMITED	J = JEEP - 4WD	74 = SPORT UTILITY 4-DR	ED1 = Engine - 2.4L 4 Cyl DOHC 16v SMPI	DGQ = Transmission-5-Spd Automatic 5-45RFE
H = SPORT	U = JEEP - 4WD (RHD)		EKG = Engine - 3.7L V6	DG6 = Transmission-4-Spd. Automatic, 42RLE
M = RENEGADE	T = JEEP - 2WD		ENR = Engine - 2.8L 4 Cyl Turbo Diesel	DEH = Transmission-6-Speed Manual, NSG370
			ENO = 4CYL turbo diesel	DG0 = Transmissions - All Automatic
				DBB = ALL MANUAL TRANSMISSIONS

AR = use ase required - = Non illustrated part

**Manifolds, Intake and Exhaust, 3.7L [EKG]  
Figure 3.7L-810**

ITEM	PART NUMBER	QTY	LINE	SERIES	BODY	ENGINE	TRANS	TRIM	DESCRIPTION
------	-------------	-----	------	--------	------	--------	-------	------	-------------

NOTES:  
Sales Codes  
[EK0] = All 3.7L 6 Cylinder Gas Engines



1	53032803AA	1				EK0			MANIFOLD, Intake
2	53032803AA	1							STUD, Serviced With Intake Manifold Assembly, (NOT SERVICED)
3	53032803AA	1							SCREW, Serviced With Intake Manifold Assembly, (NOT SERVICED)
4	53010310AB	6				EK0			SEAL, Intake Manifold
5									GASKET, Exhaust Manifold
	53031090	1				EK0			Right
	53031091	1				EK0			Left
6									MANIFOLD, Exhaust
	53013691AA	1				EK0			Left
	53013692AA	1				EK0			Right
7	06507746AA	4				EK0			BOLT, Exhaust Manifold
8	06508220AA	8				EK0			STUD, Exhaust Manifold
9	06505316AA	8				EK0			NUT
10									SHIELD, Exhaust Manifold
	53031092AC	1				EK0			Right
	53031093AC	1				EK0			Left

**LIBERTY (KJ)**

SERIES      LINE  
P = LIMITED    J = JEEP - 4WD  
H = SPORT      U = JEEP - 4WD (RHD)  
M = RENEGADE   T = JEEP - 2WD

BODY  
74 = SPORT UTILITY 4-DR

ENGINE  
ED1 = Engine - 2.4L 4 Cyl DOHC 16v SMPI  
EKG = Engine - 3.7L V6  
ENR = Engine - 2.8L 4 Cyl Turbo Diesel  
ENO = 4CYL turbo diesel

TRANSMISSION  
DGQ = Transmission-5-Spd Automatic 5-45RFE  
DG6 = Transmission-4-Spd. Automatic, 42RLE  
DEH = Transmission-6-Speed Manual, NSG370  
DG0 = Transmissions - All Automatic  
DBB = ALL MANUAL TRANSMISSIONS

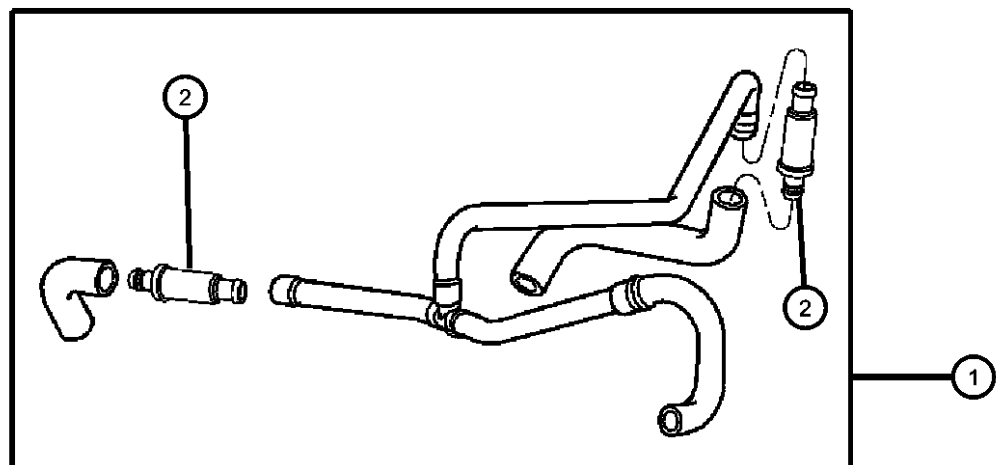
AR = use ase required - = Non illustrated part

2005 KJ

### Crankcase Ventilation, 3.7L [EKG]

Figure 3.7L-910

ITEM	PART NUMBER	QTY	LINE	SERIES	BODY	ENGINE	TRANS	TRIM	DESCRIPTION
------	-------------	-----	------	--------	------	--------	-------	------	-------------

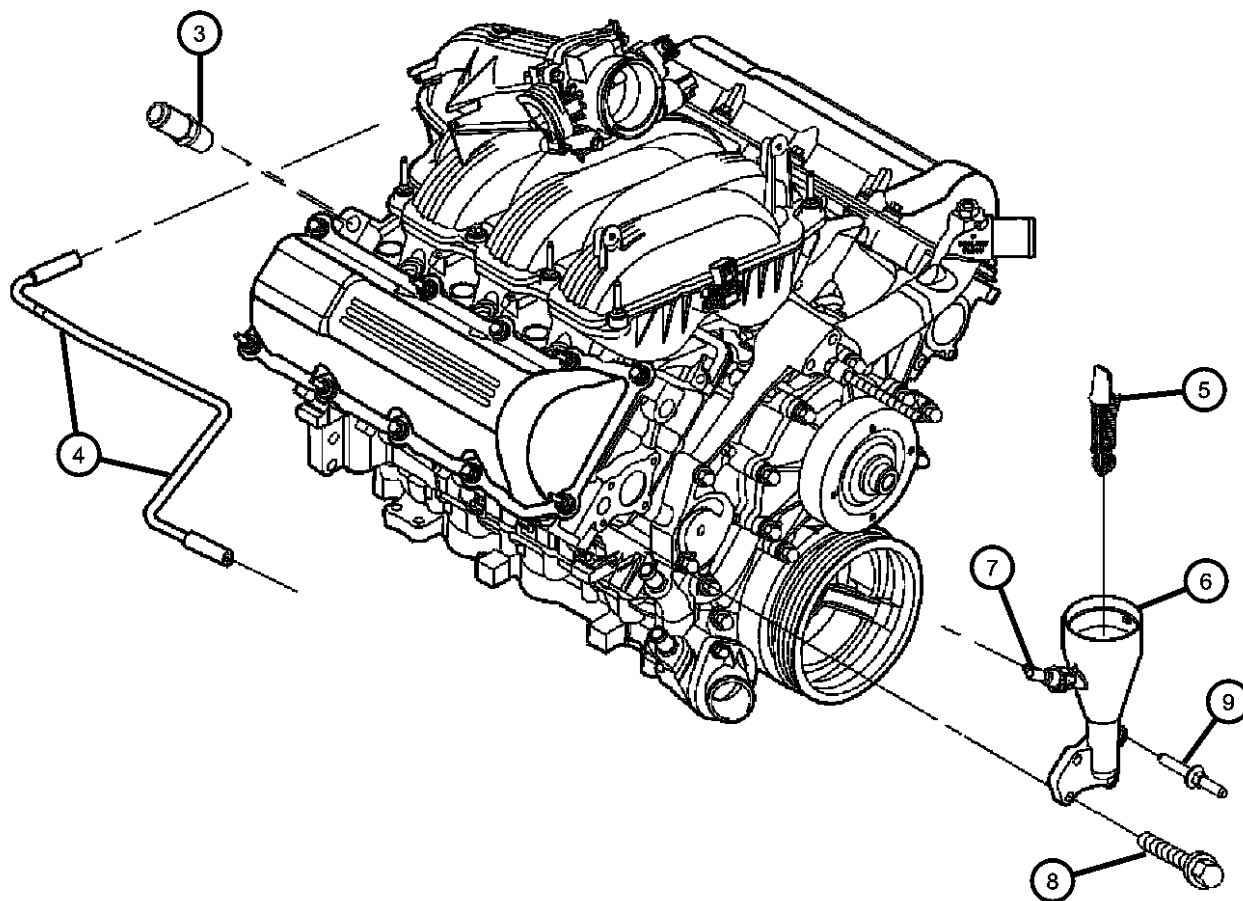


**NOTES:**

Sales Codes

[EK0] = All 3.7L 6 Cylinder Gas Engines

1	53013723AC	1				EK0			HOSE, Cylinder Head to Air Cleaner
2	53013723AC	1							BREATHER, Crankcase, Serviced With Hose, (NOT SERVICED)
3	06035854	2				EK0			NIPPLE
4	53031133AE	1				EK0			TUBE, Crankcase Vent To Intake Manifold
5	53032126AA	1				EK0			BAFFLE, Oil Fill, None
6	53020890	1				EK0			HOUSING, Oil Fill
7	53032800AA	1				EK0			VALVE, Crankcase Vent
8	06505504AA	3				EK0			SCREW
9	06505566AA	1				EK0			STUD



**LIBERTY (KJ)**

SERIES	LINE	
P = LIMITED	J = JEEP - 4WD	
H = SPORT	U = JEEP - 4WD (RHD)	
M = RENEGADE	T = JEEP - 2WD	

BODY	
74 = SPORT UTILITY 4-DR	

ENGINE	
ED1 = Engine - 2.4L 4 Cyl DOHC 16v SMPI	
EKG = Engine - 3.7L V6	
ENR = Engine - 2.8L 4 Cyl Turbo Diesel	
ENO = 4CYL turbo diesel	

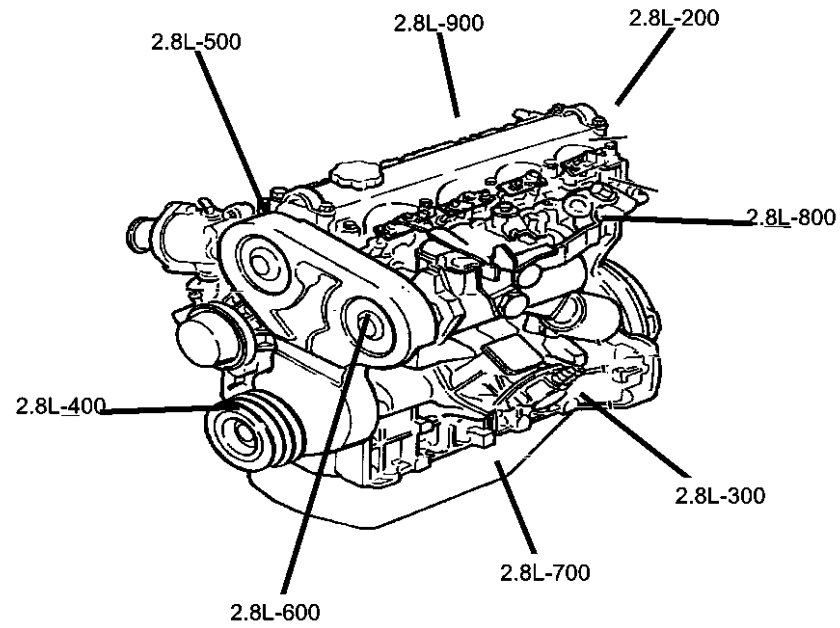
TRANSMISSION	
DGQ = Transmission-5-Spd Automatic 5-45RFE	
DG6 = Transmission-4-Spd. Automatic, 42RLE	
DEH = Transmission-6-Speed Manual, NSG370	
DG0 = Transmissions - All Automatic	
DBB = ALL MANUAL TRANSMISSIONS	

AR = use ase required - = Non illustrated part

2005 KJ

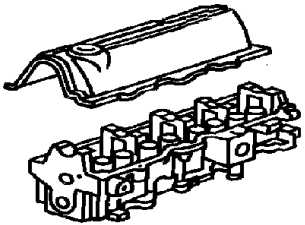
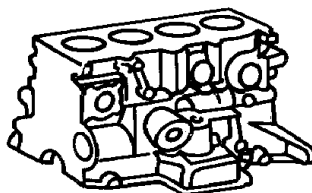
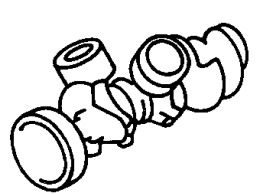
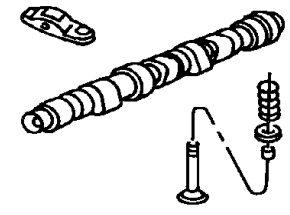
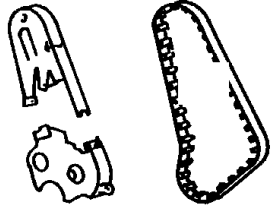
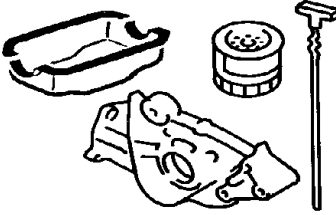
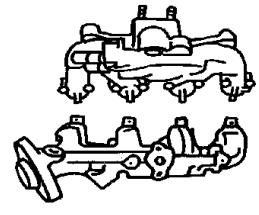
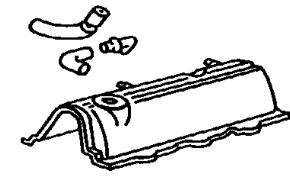
# Group - 2.8L

## Engine 2.8L Four Cylinder (Turbo Diesel)

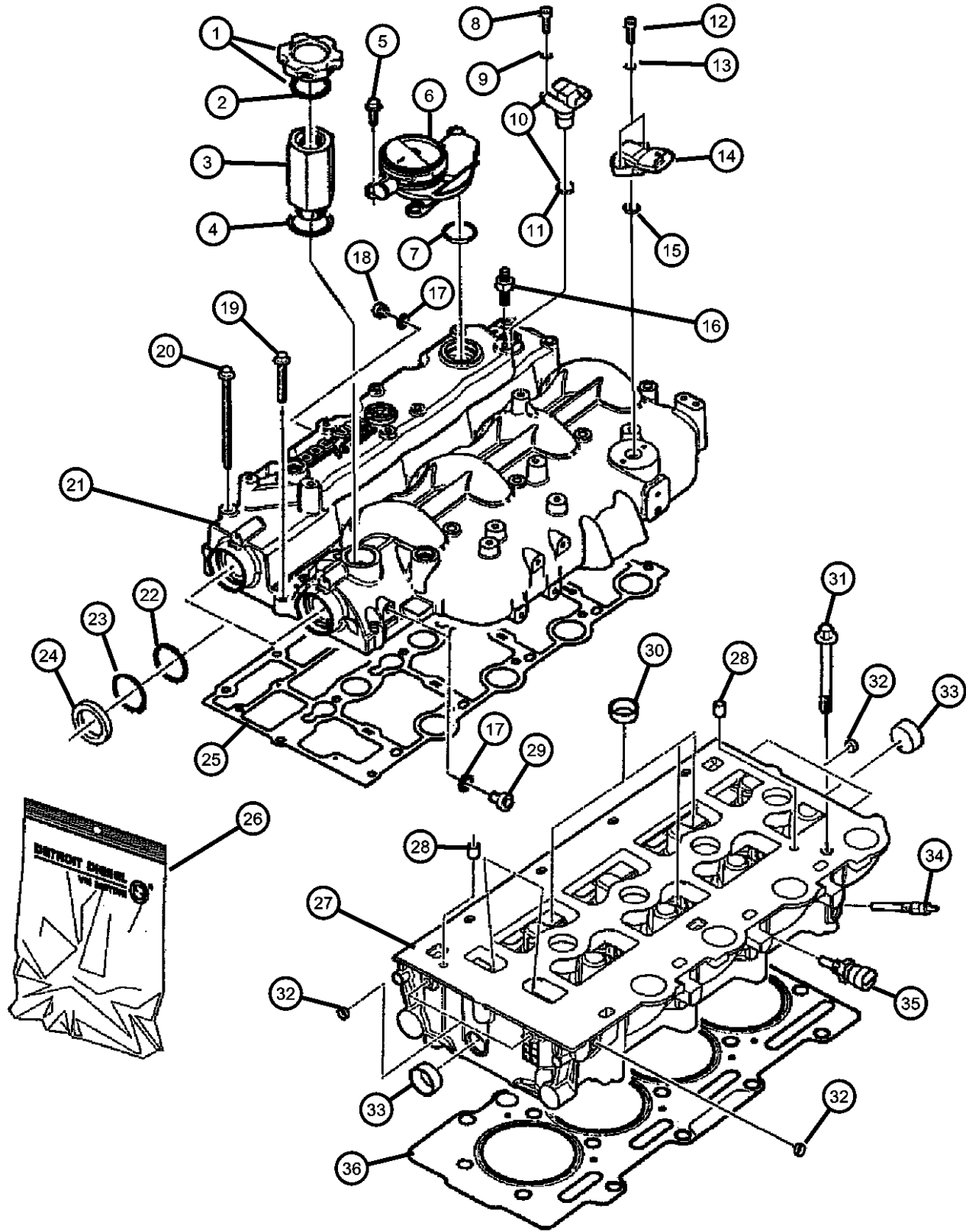


## Group - 2.8L Engine 2.8L Four Cylinder (Turbo Diesel)

Illustration Title	Group-Fig. No.
<b>Cylinder Head</b> Cylinder Head 2.8 Diesel [ENR].....	Fig. 2.8L - 210
<b>Cylinder Block</b> Cylinder Block 2.8 Diesel [ENR] .....	Fig. 2.8L - 310
<b>Crankshaft, Piston and Drive Plate</b> Crankshaft,Pistons and Related, 2.8L Diesel [ENR].....	Fig. 2.8L - 410
<b>Camshafts &amp; Valves</b> Camshaft and Valves 2.8 Diesel [ENR].....	Fig. 2.8L - 510
<b>Timing Belt and Cover</b> Timing Cover, Belt and Gears 2.8L Diesel [ENR].....	Fig. 2.8L - 610
<b>Engine Oiling</b> Engine Oiling 2.8 Diesel [ENR].....	Fig. 2.8L - 710
Oil Passages and Oil Cooler 2.8L Diesel [ENR] .....	Fig. 2.8L - 720
<b>Manifolds</b> Exhaust Manifold and Vacuum Line [ENR].....	Fig. 2.8L - 810
Intake Manifold Air Lines 2.8L [ENR] .....	Fig. 2.8L - 820
<b>Crankcase Ventilation</b> Crankcase Ventilation 2.8L Diesel [ENR].....	Fig. 2.8L - 910

<b>2.8L-200</b> Cylinder Head 	<b>2.8L-300</b> Cylinder Block 	<b>2.8L-400</b> Crankshaft, Piston and Drive Plate 	<b>2.8L-500</b> Camshafts & Valves 
<b>2.8L-600</b> Timing Belt and Cover 	<b>2.8L-700</b> Engine Oiling 	<b>2.8L-800</b> Manifolds 	<b>2.8L-900</b> Crankcase Ventilation 

**Cylinder Head 2.8 Diesel [ENR]  
Figure 2.8L-210**



ITEM	PART NUMBER	QTY	LINE	SERIES	BODY	ENGINE	TRANS	TRIM	DESCRIPTION
------	-------------	-----	------	--------	------	--------	-------	------	-------------

NOTES:  
Sales Codes  
[DBB] = All Manual Transmissions  
[DG0] = All Automatic Transmissions  
[EN0] = All 4/5 Cylinder Turbo Diesels

1									CAP, Oil Filler
	04863741	1				EN0	DG0		
		1				EN0	DBB		
2									GASKET, Oil Filler Cap
	04720300	1				EN0	DG0		
		1				EN0	DBB		
3									SPACER, Oil Filler
	05072678AA	1				EN0	DG0		
		1				EN0	DBB		
4									GASKET, Oil Filler Connector
	05066853AA	1				EN0	DG0		
		1				EN0	DBB		
5									SCREW
	05003553AA	6				EN0	DG0		
		6				EN0	DBB		
6									VALVE, Pressure Control
	05114348AB	1				EN0	DG0		
		1				EN0	DBB		
7									O RING, Pressure Relief Valve
	05114347AA	2				EN0	DG0		
		2				EN0	DBB		
8									BOLT, M6x10
	05003551AA	1				EN0	DG0		
		1				EN0	DBB		
9									WASHER, Implement Attaching
	04723204	8				EN0	DG0		
		8				EN0	DBB		
10									SENSOR, Camshaft

**LIBERTY (KJ)**

SERIES      LINE  
P = LIMITED      J = JEEP - 4WD  
H = SPORT      U = JEEP - 4WD (RHD)  
M = RENEGADE      T = JEEP - 2WD

BODY  
74 = SPORT UTILITY 4-DR

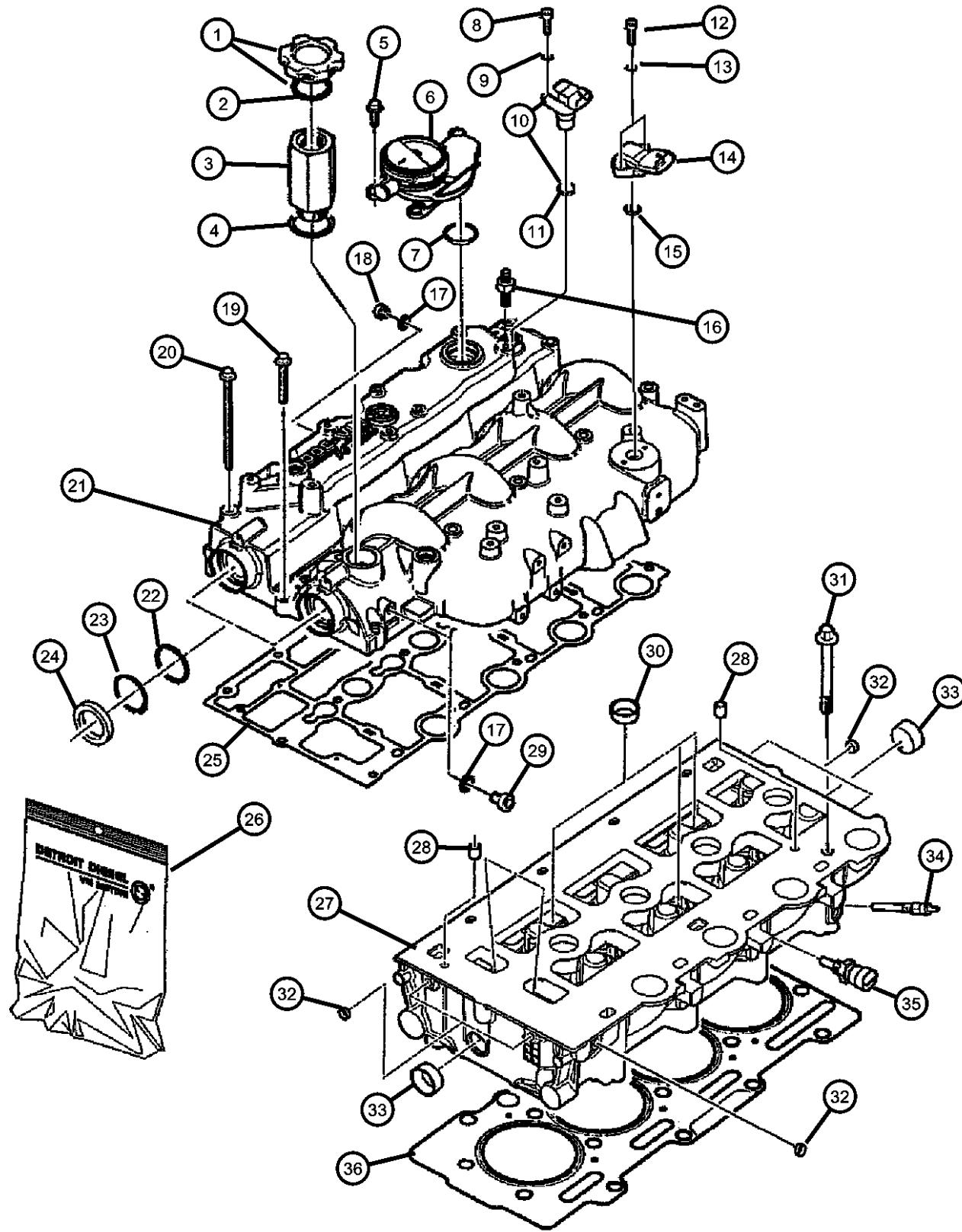
ENGINE  
ED1 = Engine - 2.4L 4 Cyl  
DOHC 16v SMPI  
EKG = Engine - 3.7L V6  
ENR = Engine - 2.8L 4 Cyl  
Turbo Diesel  
ENO = 4CYL turbo diesel

TRANSMISSION  
DGQ = Transmission-5-Spd Automatic  
5-45RFE  
DG6 = Transmission-4-Spd.  
Automatic, 42RLE  
DEH = Transmission-6-Speed Manual,  
NSG370  
DG0 = Transmissions - All Automatic  
DBB = ALL MANUAL  
TRANSMISSIONS

AR = use ase required - = Non illustrated part

2005 KJ

**Cylinder Head 2.8 Diesel [ENR]  
Figure 2.8L-210**



ITEM	PART NUMBER	QTY	LINE	SERIES	BODY	ENGINE	TRANS	TRIM	DESCRIPTION
	05140332AA	1				EN0	DG0		
		1				EN0	DBB		
11	05066860AA	1				EN0	DG0		O RING
		1				EN0	DBB		
12	05010858AA	1				EN0	DG0		SCREW
		1				EN0	DBB		
13	04723168	1				EN0	DG0		WASHER, Fuel Solenoid Wire
		1				EN0	DBB		
14	05140331AA	1				EN0	DG0		SENSOR, Air Temperature
		1				EN0	DBB		
15		1							O RING, (NOT REQUIRED)
16	05142745AA	1				EN0	DG0		STUD, Intake Manifold
		1				EN0	DBB		
17	04720713	1				EN0	DBB		WASHER, Implement Attaching
18	05066787AA	2				EN0	DG0		PLUG, Cylinder Block
		2				EN0	DBB		
19	05066960AA	6				EN0	DG0		SCREW
		6				EN0	DBB		
20	05066959AA	10				EN0	DG0		SCREW
		10				EN0	DBB		
21	05093897AB	1				EN0	DG0		COVER, Cylinder Head
		1				EN0	DBB		

**LIBERTY (KJ)**

SERIES      LINE  
P = LIMITED      J = JEEP - 4WD  
H = SPORT      U = JEEP - 4WD (RHD)  
M = RENEGADE      T = JEEP - 2WD

BODY  
74 = SPORT UTILITY 4-DR

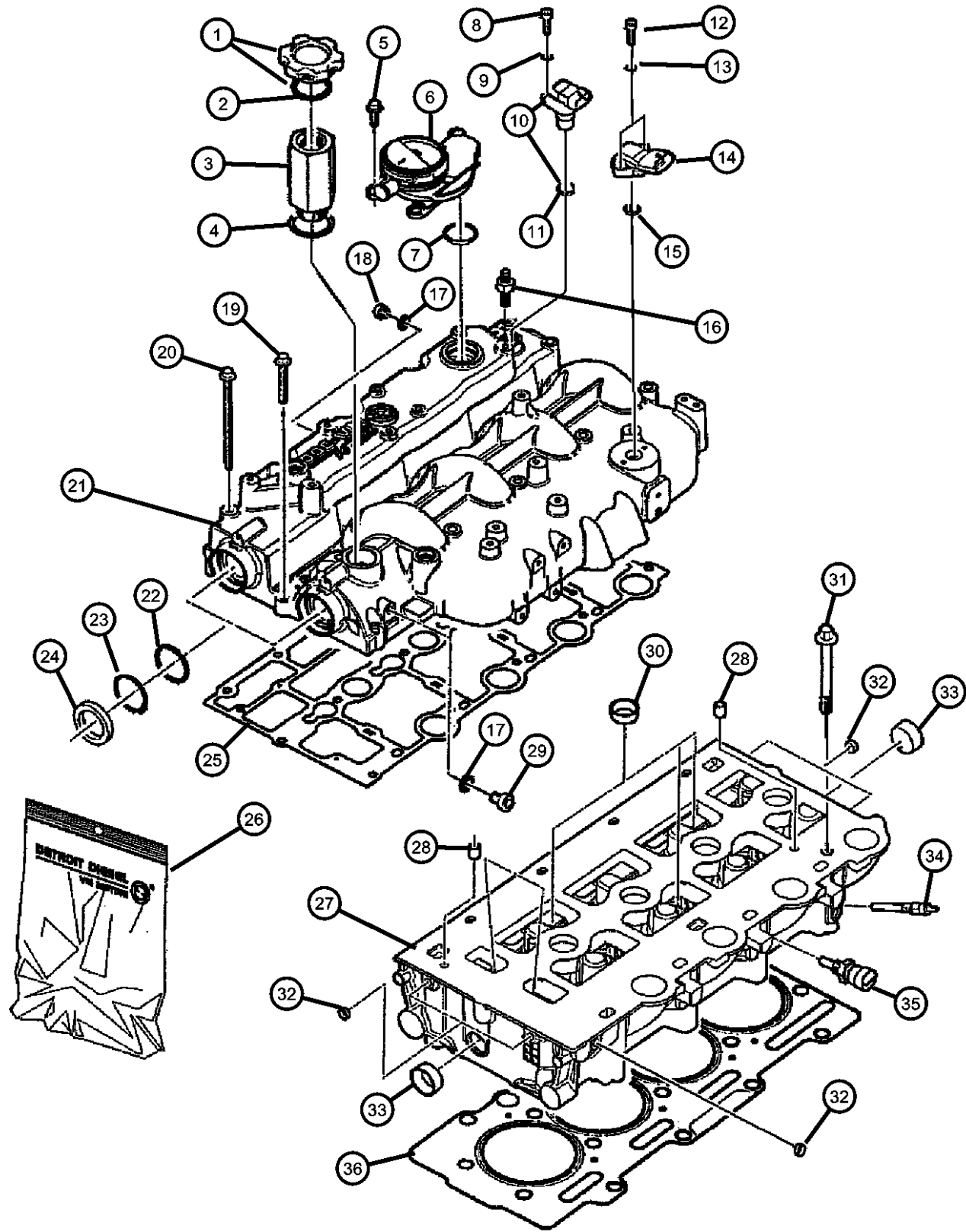
ENGINE  
ED1 = Engine - 2.4L 4 Cyl  
DOHC 16v SMPI  
EKG = Engine - 3.7L V6  
ENR = Engine - 2.8L 4 Cyl  
Turbo Diesel  
ENO = 4CYL turbo diesel

TRANSMISSION  
DGQ = Transmission-5-Spd Automatic  
5-45RFE  
DG6 = Transmission-4-Spd.  
Automatic, 42RLE  
DEH = Transmission-6-Speed Manual,  
NSG370  
DG0 = Transmissions - All Automatic  
DBB = ALL MANUAL  
TRANSMISSIONS

AR = use ase required    - = Non illustrated part

2005 KJ

**Cylinder Head 2.8 Diesel [ENR]  
Figure 2.8L-210**



ITEM	PART NUMBER	QTY	LINE	SERIES	BODY	ENGINE	TRANS	TRIM	DESCRIPTION
22									SPACER
	05066844AA	2				EN0	DG0		
		2				EN0	DBB		
23									SNAP RING
	05066841AA	2				EN0	DG0		
		2				EN0	DBB		
24									SEAL
	05066958AA	2				EN0	DG0		
		2				EN0	DBB		
25									GASKET, Valve Cover
	05066786AA	1				EN0	DG0		
		1				EN0	DBB		
26	05143080AA	1				EN0	DBB		GASKET KIT, Engine HEAD, Cylinder
27									
	05159955AA	1				EN0	DG0		
	05159955AB	1				EN0	DBB		
28									DOWEL, Rocker
	04720165	3				EN0	DG0		
		3				EN0	DBB		
29									PLUG, Cylinder Block
	05066787AA	2				EN0	DG0		
		2				EN0	DBB		
30									PLUG, Cylinder Block Oil Hole
	04723211	5				EN0	DG0		
		5				EN0	DBB		
31									BOLT, Cylinder Head
	05066957AC	18				EN0	DG0		
		18				EN0	DBB		
32									PLUG, Cylinder Block
	05066837AA	5				EN0	DG0		
		5				EN0	DBB		

**LIBERTY (KJ)**

SERIES      LINE  
P = LIMITED      J = JEEP - 4WD  
H = SPORT      U = JEEP - 4WD (RHD)  
M = RENEGADE      T = JEEP - 2WD

BODY  
74 = SPORT UTILITY 4-DR

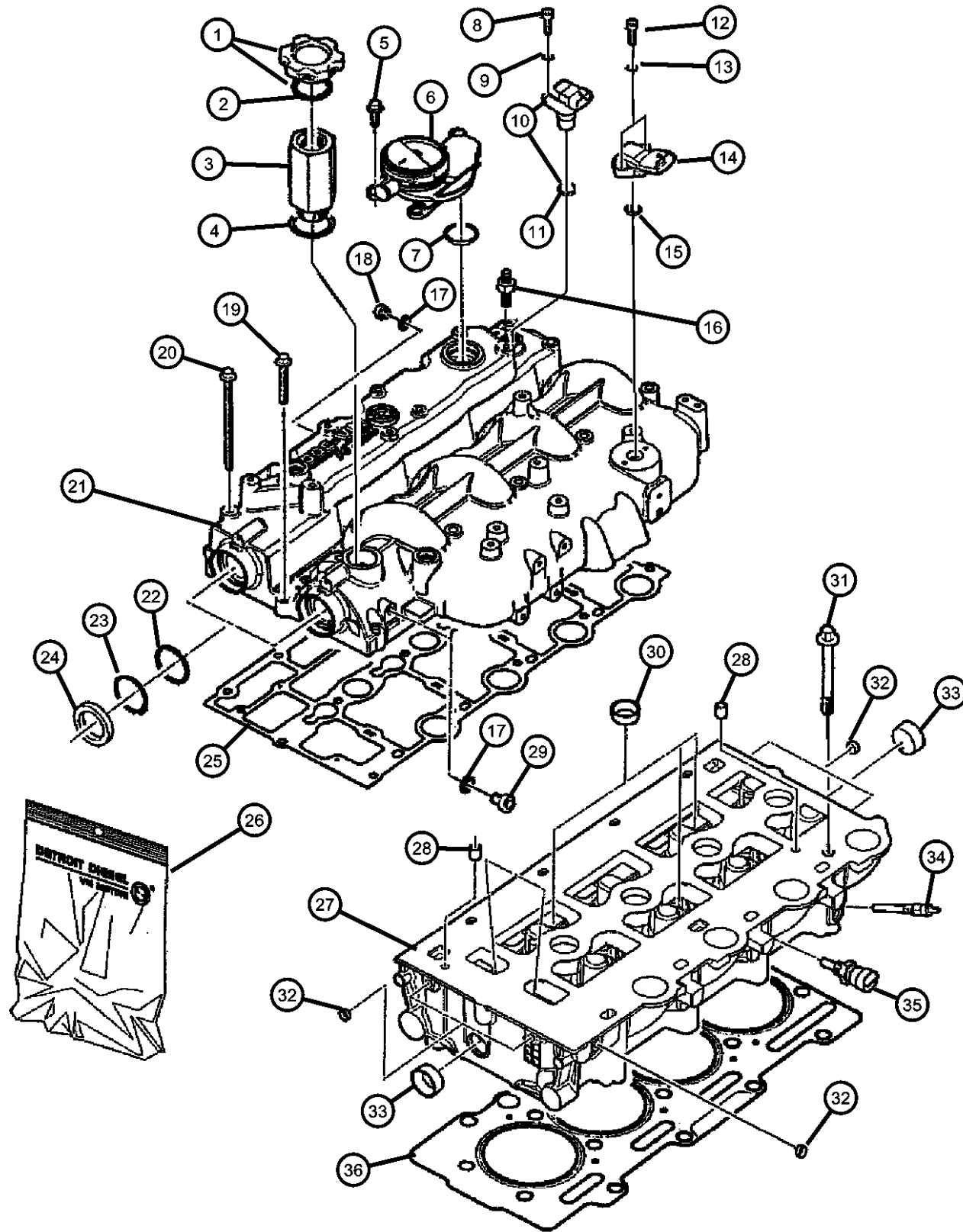
ENGINE  
ED1 = Engine - 2.4L 4 Cyl  
DOHC 16v SMPI  
EKG = Engine - 3.7L V6  
ENR = Engine - 2.8L 4 Cyl  
Turbo Diesel  
ENO = 4CYL turbo diesel

TRANSMISSION  
DGQ = Transmission-5-Spd Automatic  
5-45RFE  
DG6 = Transmission-4-Spd.  
Automatic, 42RLE  
DEH = Transmission-6-Speed Manual,  
NSG370  
DG0 = Transmissions - All Automatic  
DBB = ALL MANUAL  
TRANSMISSIONS

AR = use ase required - = Non illustrated part

2005 KJ

**Cylinder Head 2.8 Diesel [ENR]  
Figure 2.8L-210**



ITEM	PART NUMBER	QTY	LINE	SERIES	BODY	ENGINE	TRANS	TRIM	DESCRIPTION
33	05066836AA	2				EN0	DG0		PLUG, Cylinder Block
		2				EN0	DBB		
34	05142577AA	4				EN0	DG0		PLUG, Glow
		4				EN0	DBB		
35	05066779AA	1				EN0	DG0		SENSOR, Temperature Sending Unit
		1				EN0	DBB		
36	05072675AB	1				EN0	DG0		GASKET, Cylinder Head 1.32mm Thickness
		1				EN0	DBB		1.32mm Thickness
	05072676AB	1				EN0	DG0		1.42mm Thickness
		1				EN0	DBB		1.42mm Thickness
	05072677AB	1				EN0	DG0		1.52mm Thickness
		1				EN0	DBB		1.52mm Thickness
37	05166481AA	1				EN0	DG0		GASKET KIT, Head [1.32] Thickness
	05166482AA	1				EN0	DG0		[1.42] Thickness
	05166483AA	1				EN0	DBB		[1.52] Thickness
-38	53013813AA	1				EN0			COVER, Engine

**LIBERTY (KJ)**

SERIES      LINE  
P = LIMITED      J = JEEP - 4WD  
H = SPORT      U = JEEP - 4WD (RHD)  
M = RENEGADE      T = JEEP - 2WD

BODY  
74 = SPORT UTILITY 4-DR

ENGINE  
ED1 = Engine - 2.4L 4 Cyl  
DOHC 16v SMPI  
EKG = Engine - 3.7L V6  
ENR = Engine - 2.8L 4 Cyl  
Turbo Diesel  
ENO = 4CYL turbo diesel

TRANSMISSION  
DGQ = Transmission-5-Spd Automatic  
5-45RFE  
DG6 = Transmission-4-Spd.  
Automatic, 42RLE  
DEH = Transmission-6-Speed Manual,  
NSG370  
DG0 = Transmissions - All Automatic  
DBB = ALL MANUAL  
TRANSMISSIONS

AR = use ase required    - = Non illustrated part

2005 KJ



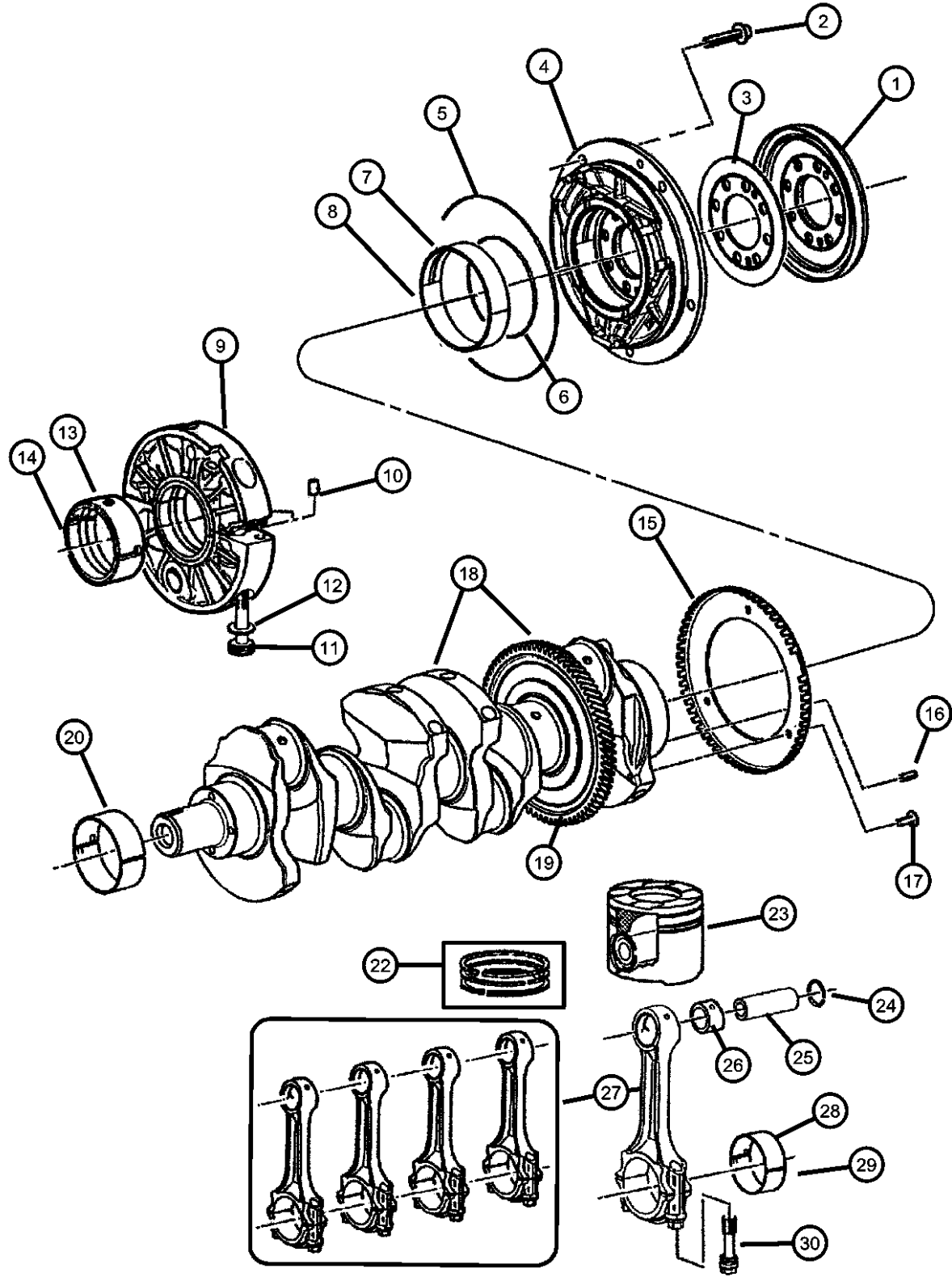








**Crankshaft,Pistons and Related, 2.8L Diesel [ENR]  
Figure 2.8L-410**



ITEM	PART NUMBER	QTY	LINE	SERIES	BODY	ENGINE	TRANS	TRIM	DESCRIPTION
	04720241	2				EN0	DG0		
		2				EN0	DBB		
11	05135263AA	6				EN0	DG0		SCREW
		1				EN0	DBB		
12		1							WASHER, Lock, M10, (NOT REQUIRED)
13		1							BEARING, Crankshaft, STD.
	05069079AA	3				EN0	DG0		
		3				EN0	DBB		
14									BEARING, Crankshaft, .250mm U/S
	05069080AA	3				EN0	DG0		
		3				EN0	DBB		
15									RELUCTOR WHEEL, Crankshaft
	05140319AA	1				EN0	DG0		
		1				EN0	DBB		
16									PIN, Spring Type
	05135167AA	1				EN0	DG0		
		1				EN0	DBB		
17									SCREW
	05069137AA	3				EN0	DG0		
		3				EN0	DBB		
18									CRANKSHAFT
	05093881AB	1				EN0	DG0		
		1				EN0	DBB		
19									GEAR, Ring
	05066977AA	1				EN0	DG0		
		1				EN0	DBB		
20									BEARING, Crankshaft, STD.
	05069077AA	1				EN0	DG0		
		1				EN0	DBB		

**LIBERTY (KJ)**  
 SERIES            LINE  
 P = LIMITED      J = JEEP - 4WD  
 H = SPORT        U = JEEP - 4WD (RHD)  
 M = RENEGADE    T = JEEP - 2WD

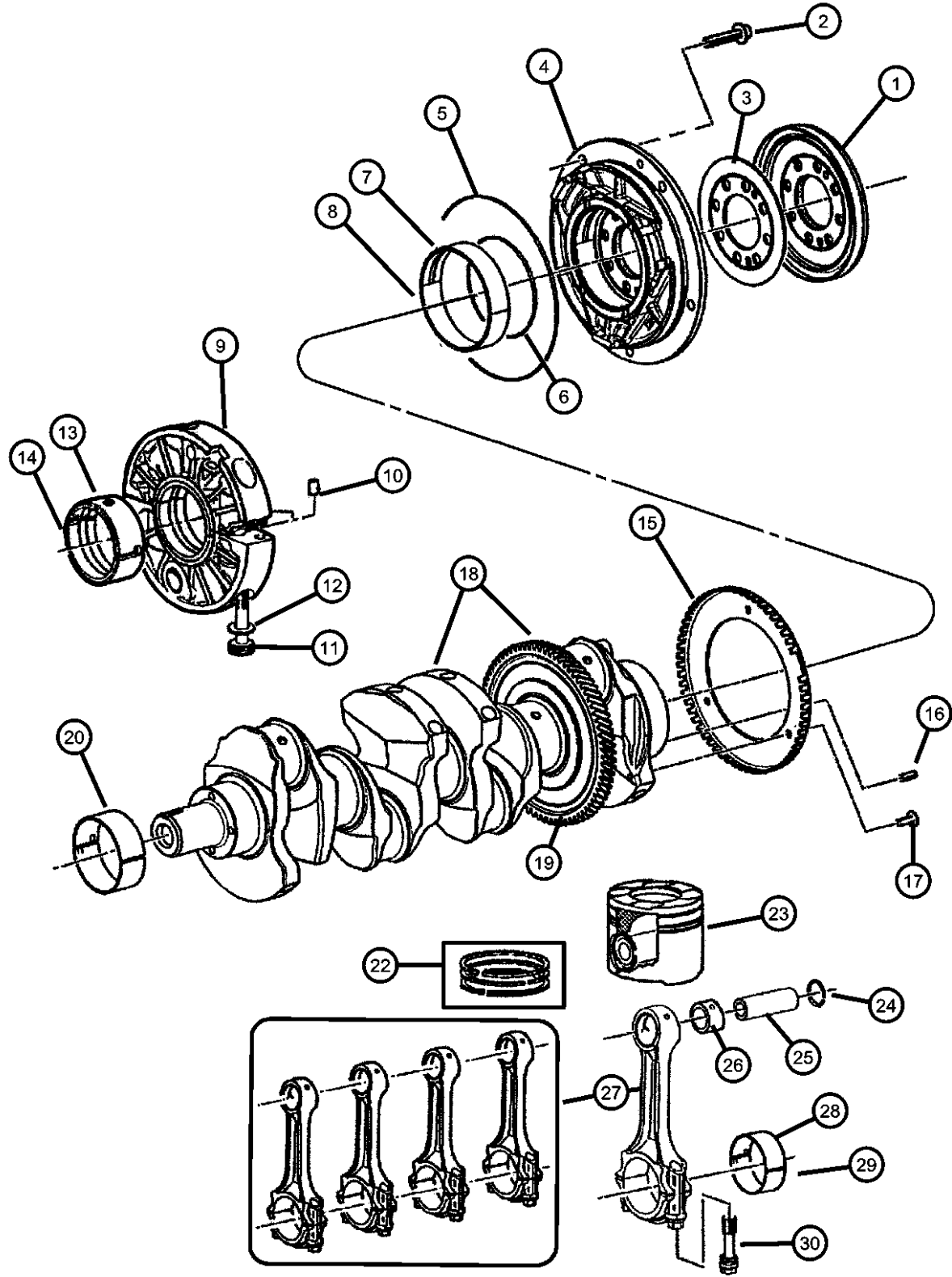
**BODY**  
 74 = SPORT UTILITY 4-DR

**ENGINE**  
 ED1 = Engine - 2.4L 4 Cyl DOHC 16v SMPI  
 EKG = Engine - 3.7L V6  
 ENR = Engine - 2.8L 4 Cyl Turbo Diesel  
 ENO = 4CYL turbo diesel

**TRANSMISSION**  
 DGQ = Transmission-5-Spd Automatic 5-45RFE  
 DG6 = Transmission-4-Spd. Automatic, 42RLE  
 DEH = Transmission-6-Speed Manual, NSG370  
 DG0 = Transmissions - All Automatic  
 DBB = ALL MANUAL TRANSMISSIONS

AR = use ase required - = Non illustrated part

**Crankshaft,Pistons and Related, 2.8L Diesel [ENR]  
Figure 2.8L-410**



ITEM	PART NUMBER	QTY	LINE	SERIES	BODY	ENGINE	TRANS	TRIM	DESCRIPTION
-21									BEARING, Crankshaft, .250mm U/S
	05069078AA	1				EN0	DG0		
		1				EN0	DBB		
22									RING KIT, Piston
	05142543AA	4				EN0	DG0		
		4				EN0	DBB		
23									PISTON
	05142544AA	4				EN0	DG0		
		4				EN0	DBB		
24									RING, Piston Pin
	05140392AA	8				EN0	DG0		
		8				EN0	DBB		
25									PIN, Piston, Serviced With Item 22, (NOT SERVICED)
		8							
26									BUSHING, Connecting Rod
	05093887AA	4				EN0	DG0		
		4				EN0	DBB		
27									ROD, Connecting
	05093883AA	1				EN0	DG0		
		1				EN0	DBB		
28									BEARING, Connecting Rod, STD.
	04720877	4				EN0	DG0		
		4				EN0	DBB		
29									BEARING, Connecting Rod, .25 mm U/S
	04720883	4				EN0	DG0		
		4				EN0	DBB		
30									BOLT, Connecting Rod
	05093889AA	8				EN0	DG0		
		8				EN0	DBB		

**LIBERTY (KJ)**  
 SERIES            LINE  
 P = LIMITED      J = JEEP - 4WD  
 H = SPORT        U = JEEP - 4WD (RHD)  
 M = RENEGADE   T = JEEP - 2WD

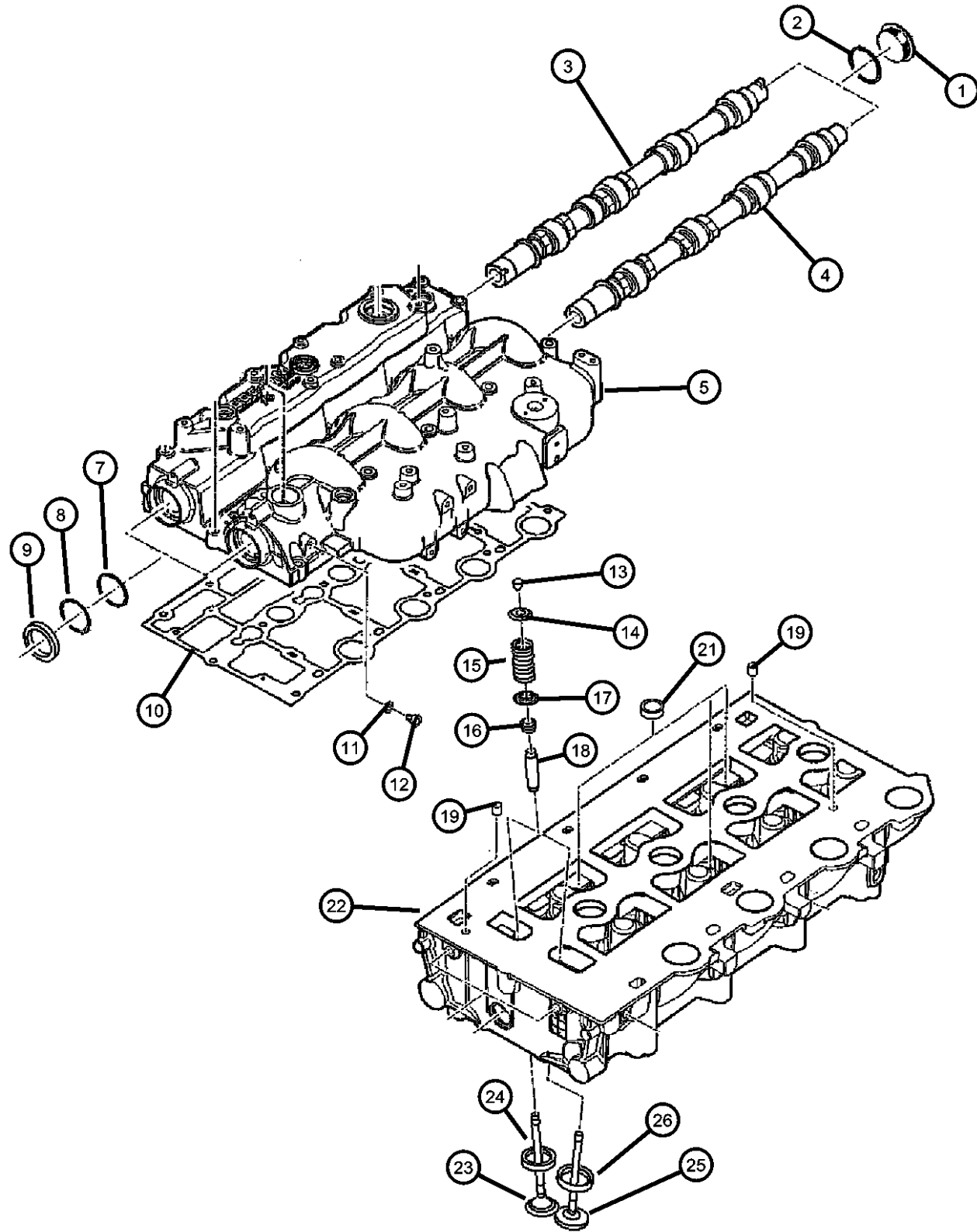
**BODY**  
 74 = SPORT UTILITY 4-DR

**ENGINE**  
 ED1 = Engine - 2.4L 4 Cyl DOHC 16v SMPI  
 EKG = Engine - 3.7L V6  
 ENR = Engine - 2.8L 4 Cyl Turbo Diesel  
 ENO = 4CYL turbo diesel

**TRANSMISSION**  
 DGQ = Transmission-5-Spd Automatic 5-45RFE  
 DG6 = Transmission-4-Spd. Automatic, 42RLE  
 DEH = Transmission-6-Speed Manual, NSG370  
 DG0 = Transmissions - All Automatic  
 DBB = ALL MANUAL TRANSMISSIONS

AR = use ase required - = Non illustrated part

**Camshaft and Valves 2.8 Diesel [ENR]  
Figure 2.8L-510**



ITEM	PART NUMBER	QTY	LINE	SERIES	BODY	ENGINE	TRANS	TRIM	DESCRIPTION
------	-------------	-----	------	--------	------	--------	-------	------	-------------

NOTE: Cover Assembly Includes: Cylinder Head Cover; Camshafts with Seals, Snap Rings, Spacers and Cover Plugs with their Gaskets  
Sales Codes

[DBB] = All Manual Transmissions  
[DG0] = All Automatic Transmissions  
[EN0] = All 4/5 Cylinder Turbo Diesels

1									PLUG, Camshaft
	05066855AA	2				EN0	DG0		
		2				EN0	DBB		
2									WASHER, Plain, 16.2x19.9x1.5
	05066811AA	2				EN0	DG0		
		2				EN0	DBB		
3									CAMSHAFT, Intake
	05066847AB	1				EN0	DG0		
		1				EN0	DBB		
4									CAMSHAFT, Exhaust
	05066850AB	1				EN0	DG0		
		1				EN0	DBB		
5									COVER, Cylinder Head
	05093897AB	1				EN0	DG0		
		1				EN0	DBB		
-6									COVER, Cylinder Head, Assembly, See Notes
	05093897AB	1				EN0	DG0		
		1				EN0	DBB		
7									SPACER
	05066844AA	2				EN0	DG0		
		2				EN0	DBB		
8									SNAP RING
	05066841AA	2				EN0	DG0		
		2				EN0	DBB		
9									SEAL
	05066958AA	2				EN0	DG0		
		2				EN0	DBB		
10									GASKET, Valve Cover

**LIBERTY (KJ)**

SERIES      LINE  
P = LIMITED      J = JEEP - 4WD  
H = SPORT      U = JEEP - 4WD (RHD)  
M = RENEGADE      T = JEEP - 2WD

BODY  
74 = SPORT UTILITY 4-DR

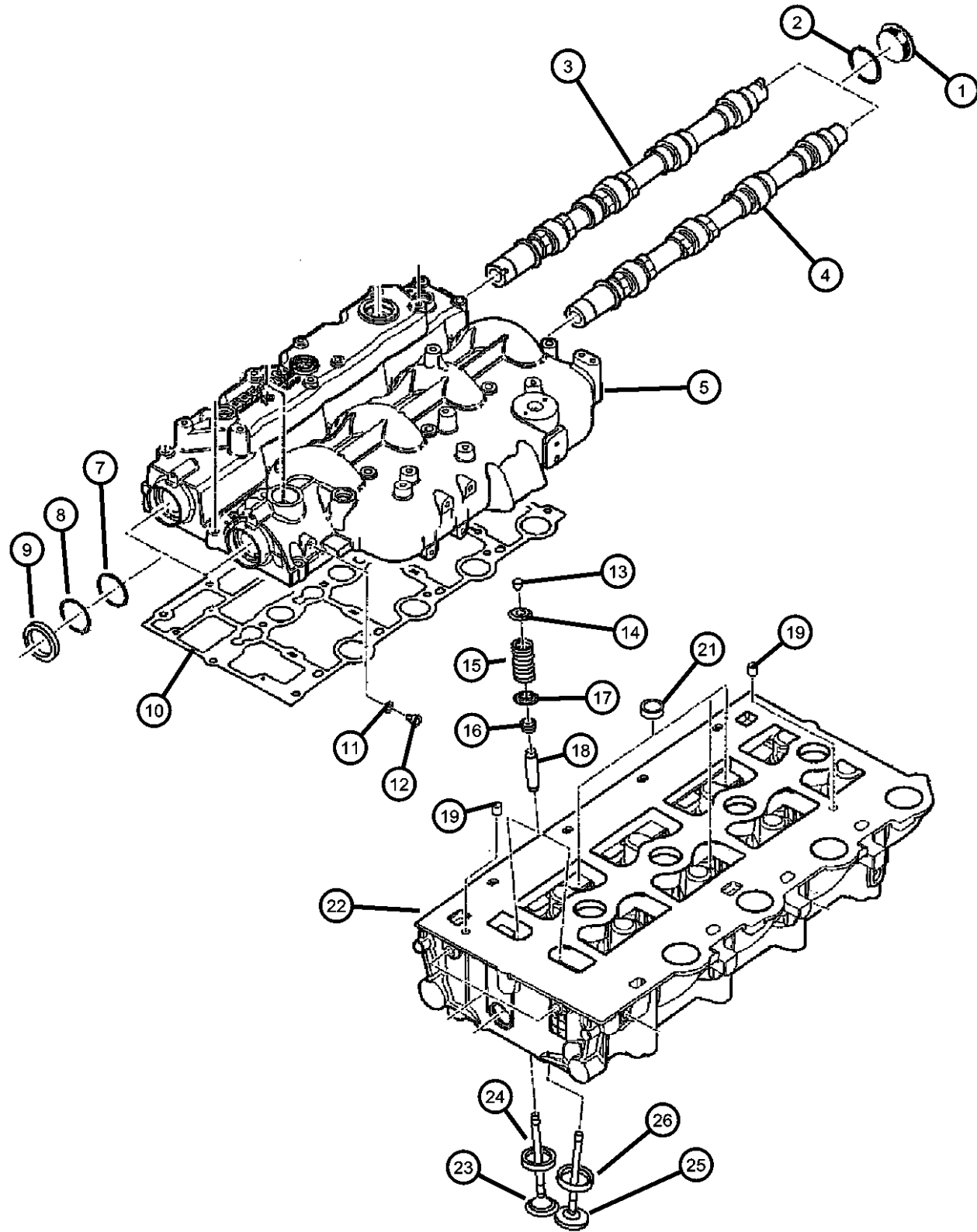
ENGINE  
ED1 = Engine - 2.4L 4 Cyl  
DOHC 16v SMPI  
EKG = Engine - 3.7L V6  
ENR = Engine - 2.8L 4 Cyl  
Turbo Diesel  
ENO = 4CYL turbo diesel

TRANSMISSION  
DGQ = Transmission-5-Spd Automatic  
5-45RFE  
DG6 = Transmission-4-Spd.  
Automatic, 42RLE  
DEH = Transmission-6-Speed Manual,  
NSG370  
DG0 = Transmissions - All Automatic  
DBB = ALL MANUAL  
TRANSMISSIONS

AR = use ase required - = Non illustrated part

2005 KJ

**Camshaft and Valves 2.8 Diesel [ENR]  
Figure 2.8L-510**



ITEM	PART NUMBER	QTY	LINE	SERIES	BODY	ENGINE	TRANS	TRIM	DESCRIPTION
	05066786AA	1				EN0	DG0		
		1				EN0	DBB		
11	04720713	5				EN0	DBB		WASHER, Implement Attaching
		5				EN0	DG0		
12	05066787AA	2				EN0	DG0		PLUG, Cylinder Block
		2				EN0	DBB		
13	05066778AA	32				EN0	DG0		LOCK, Valve Spring Retainer
		32				EN0	DBB		
14	05093892AA	16				EN0	DG0		RETAINER, Valve Spring
		16				EN0	DBB		
15	05066776AA	16				EN0	DG0		SPRING, Valve
		16				EN0	DBB		
16	05093891AA	16				EN0	DG0		SEAL, Valve Guide
		16				EN0	DBB		
17	05066775AA	16				EN0	DG0		SEAL, Valve Guide
		16				EN0	DBB		
18	05066773AA	16				EN0	DG0		GUIDE, Intake/Exhaust Valve, Standard Size
		16				EN0	DBB		
19	04720165	3				EN0	DG0		DOWEL, Rocker
		3				EN0	DBB		
-20									ROCKER ARM, Inlet and Exhaust Valve, Rocker Arms And Lifters Are Served As An Assembly Only

**LIBERTY (KJ)**

SERIES      LINE  
P = LIMITED      J = JEEP - 4WD  
H = SPORT      U = JEEP - 4WD (RHD)  
M = RENEGADE      T = JEEP - 2WD

BODY  
74 = SPORT UTILITY 4-DR

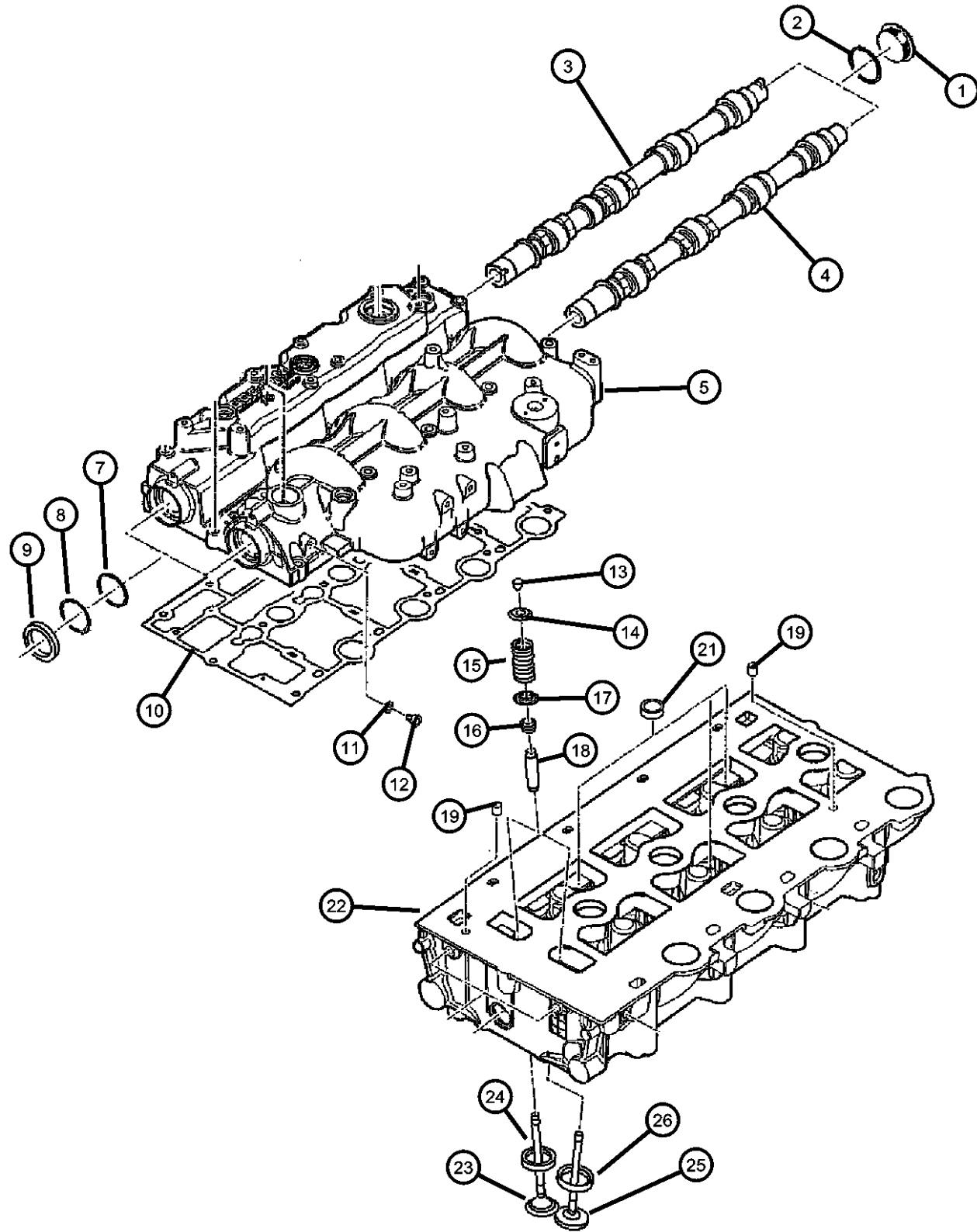
ENGINE  
ED1 = Engine - 2.4L 4 Cyl  
DOHC 16v SMPI  
EKG = Engine - 3.7L V6  
ENR = Engine - 2.8L 4 Cyl  
Turbo Diesel  
ENO = 4CYL turbo diesel

TRANSMISSION  
DGQ = Transmission-5-Spd Automatic  
5-45RFE  
DG6 = Transmission-4-Spd.  
Automatic, 42RLE  
DEH = Transmission-6-Speed Manual,  
NSG370  
DG0 = Transmissions - All Automatic  
DBB = ALL MANUAL  
TRANSMISSIONS

AR = use ase required - = Non illustrated part



**Camshaft and Valves 2.8 Diesel [ENR]  
Figure 2.8L-510**



ITEM	PART NUMBER	QTY	LINE	SERIES	BODY	ENGINE	TRANS	TRIM	DESCRIPTION
	05066780AA	16				EN0	DG0		
		16				EN0	DBB		
21	04723211	5				EN0	DG0		PLUG, Cylinder Block Oil Hole
		5				EN0	DBB		
22	05159955AA	1				EN0	DG0		HEAD, Cylinder
		1				EN0	DBB		
23	05066769AA	1				EN0	DG0		VALVE, Exhaust, Standard
		1				EN0	DBB		
24	05066771AA	8				EN0	DG0		SEAT, Exhaust Valve, 0.30mm Oversize
		16				EN0	DBB		
25	05066770AA	8				EN0	DG0		VALVE, Intake, Standard
		8				EN0	DBB		
26	05066772AA	8				EN0	DG0		SEAT, Intake Valve
		8				EN0	DBB		

**LIBERTY (KJ)**

SERIES      LINE  
P = LIMITED      J = JEEP - 4WD  
H = SPORT      U = JEEP - 4WD (RHD)  
M = RENEGADE      T = JEEP - 2WD

BODY  
74 = SPORT UTILITY 4-DR

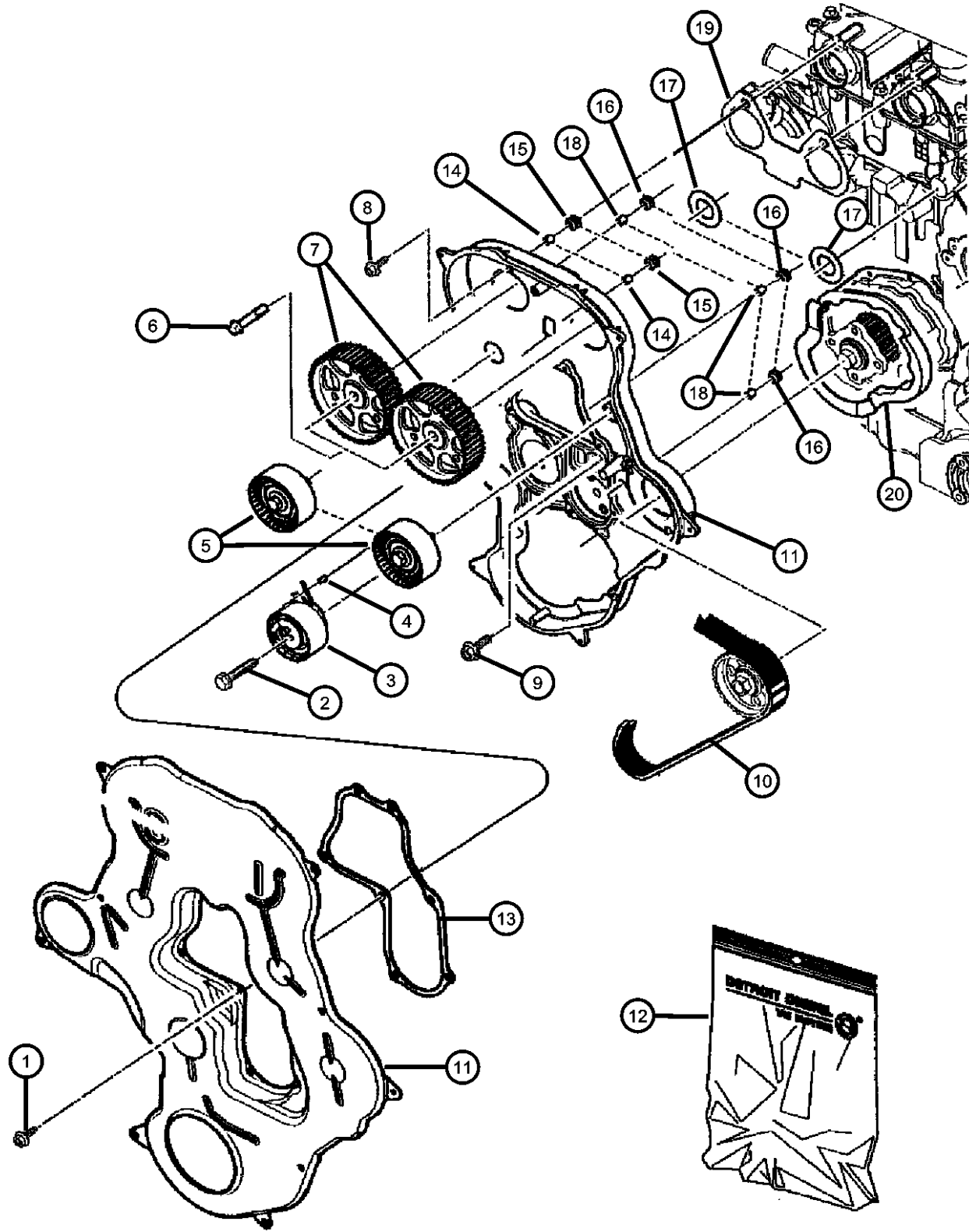
ENGINE  
ED1 = Engine - 2.4L 4 Cyl DOHC 16v SMPI  
EKG = Engine - 3.7L V6  
ENR = Engine - 2.8L 4 Cyl Turbo Diesel  
ENO = 4CYL turbo diesel

TRANSMISSION  
DGQ = Transmission-5-Spd Automatic 5-45RFE  
DG6 = Transmission-4-Spd. Automatic, 42RLE  
DEH = Transmission-6-Speed Manual, NSG370  
DG0 = Transmissions - All Automatic  
DBB = ALL MANUAL TRANSMISSIONS

AR = use ase required - = Non illustrated part

2005 KJ

**Timing Cover, Belt and Gears 2.8L Diesel [ENR]  
Figure 2.8L-610**



ITEM	PART NUMBER	QTY	LINE	SERIES	BODY	ENGINE	TRANS	TRIM	DESCRIPTION
1									SCREW
	05069112AA	17				EN0	DG0		
		17				EN0	DBB		
2									SCREW
	05015031AA	5				EN0	DG0		
		5				EN0	DBB		
3									TENSIONER, Belt
	05142798AA	1				EN0	DG0		
		1				EN0	DBB		
4									DOWEL, Front Cover, (NOT REQUIRED)
5									PULLEY, Idler
	05142573AA	2				EN0	DG0		
		2				EN0	DBB		
6									SCREW
	04897825AA	2				EN0	DG0		
		2				EN0	DBB		
7									GEAR, Balance Shaft
	05066926AA	2				EN0	DG0		
		2				EN0	DBB		
8									SCREW
	05069114AA	5				EN0	DG0		
		5				EN0	DBB		
9									BOLT, Adaptor Plate
	05003532AB	1				EN0	DG0		
		1				EN0	DBB		
10									BELT, Timing
	05142579AA	1				EN0	DG0		
		1				EN0	DBB		

Note;  
Sales Codes  
[DBB] = All Manual Transmissions  
[DG0]= All Automatic Transmissions  
[EN0]= All 4/5 Cylinder Turbo Diesels

**LIBERTY (KJ)**

SERIES      LINE  
P = LIMITED      J = JEEP - 4WD  
H = SPORT      U = JEEP - 4WD (RHD)  
M = RENEGADE      T = JEEP - 2WD

BODY  
74 = SPORT UTILITY 4-DR

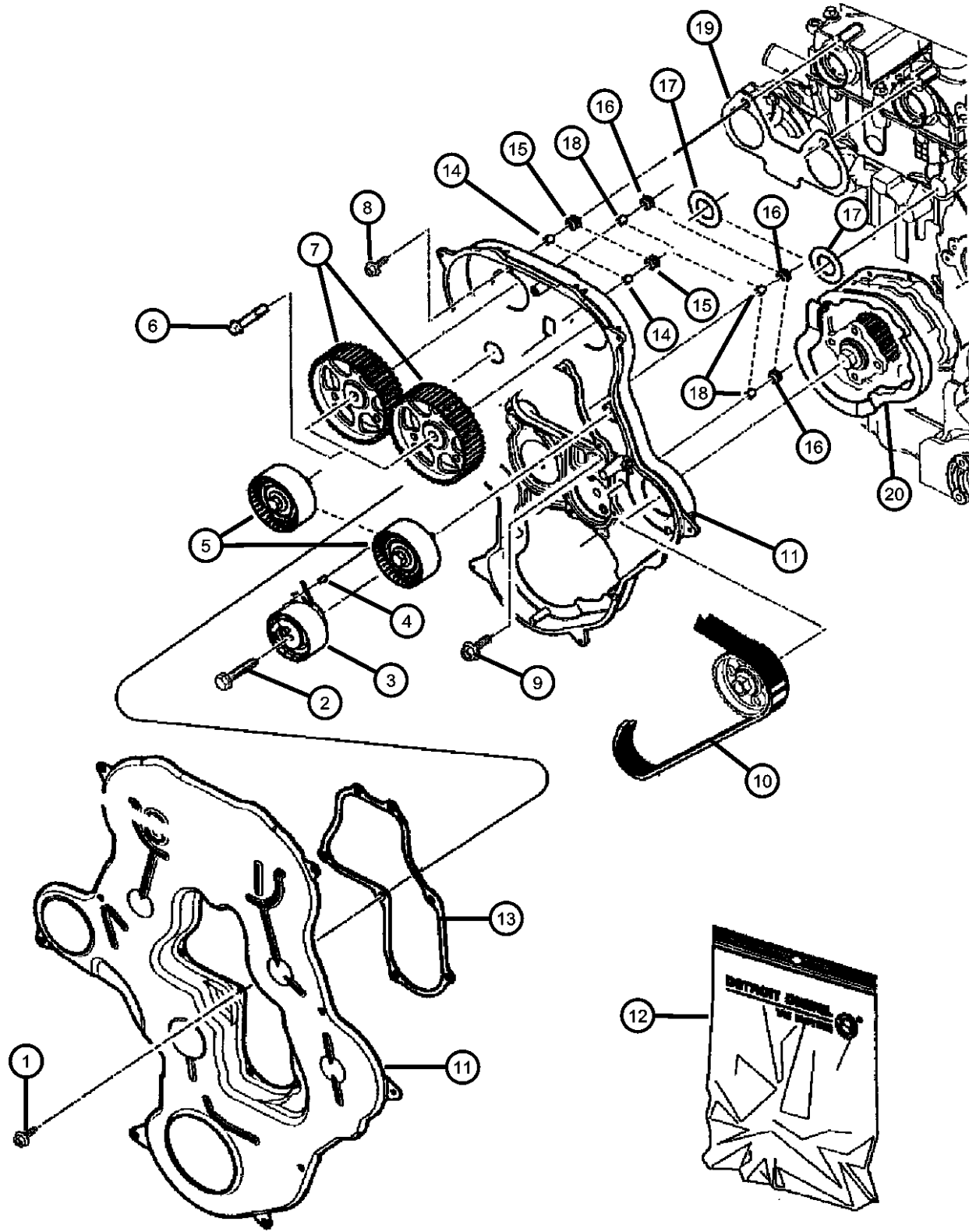
ENGINE  
ED1 = Engine - 2.4L 4 Cyl  
DOHC 16v SMPI  
EKG = Engine - 3.7L V6  
ENR = Engine - 2.8L 4 Cyl  
Turbo Diesel  
ENO = 4CYL turbo diesel

TRANSMISSION  
DGQ = Transmission-5-Spd Automatic  
5-45RFE  
DG6 = Transmission-4-Spd.  
Automatic, 42RLE  
DEH = Transmission-6-Speed Manual,  
NSG370  
DG0 = Transmissions - All Automatic  
DBB = ALL MANUAL  
TRANSMISSIONS

AR = use ase required - = Non illustrated part

2005 KJ

**Timing Cover, Belt and Gears 2.8L Diesel [ENR]  
Figure 2.8L-610**



ITEM	PART NUMBER	QTY	LINE	SERIES	BODY	ENGINE	TRANS	TRIM	DESCRIPTION
11		1				ENO	DG0		COVER, Timing Case, Kit
	05159211AA	1				ENO	DBB		
12		1				ENO	DG0		GASKET KIT, Timing Cover
	05019861AA	1				ENO	DBB		
13		1				ENO	DG0		GASKET, Timing Cover, Serviced in Cover and Gasket Kit
	05066921AA	1				ENO	DBB		
14		1							BUSHING, Serviced in Cover and Gasket Kit, (NOT SERVICED)
15		1							DAMPER, Vibration, Serviced in Cover and Gasket Kit, (NOT SERVICED)
16		1							DAMPER, Vibration, Serviced in Cover and Gasket Kit, (NOT SERVICED)
17		1							GASKET, Serviced in Cover and Gasket Kit, (NOT SERVICED)
18		1							BUSHING, Serviced in Cover and Gasket Kit, (NOT SERVICED)
19		1							GASKET, Serviced in Cover and Gasket Kit, (NOT SERVICED)
20		1							GASKET, Front Cover, Serviced in Gasket Kit, (NOT SERVICED)

**LIBERTY (KJ)**

SERIES      LINE  
P = LIMITED      J = JEEP - 4WD  
H = SPORT      U = JEEP - 4WD (RHD)  
M = RENEGADE      T = JEEP - 2WD

BODY  
74 = SPORT UTILITY 4-DR

ENGINE  
ED1 = Engine - 2.4L 4 Cyl DOHC 16v SMPI  
EKG = Engine - 3.7L V6  
ENR = Engine - 2.8L 4 Cyl Turbo Diesel  
ENO = 4CYL turbo diesel

TRANSMISSION  
DGQ = Transmission-5-Spd Automatic 5-45RFE  
DG6 = Transmission-4-Spd. Automatic, 42RLE  
DEH = Transmission-6-Speed Manual, NSG370  
DG0 = Transmissions - All Automatic  
DBB = ALL MANUAL TRANSMISSIONS

AR = use ase required - = Non illustrated part

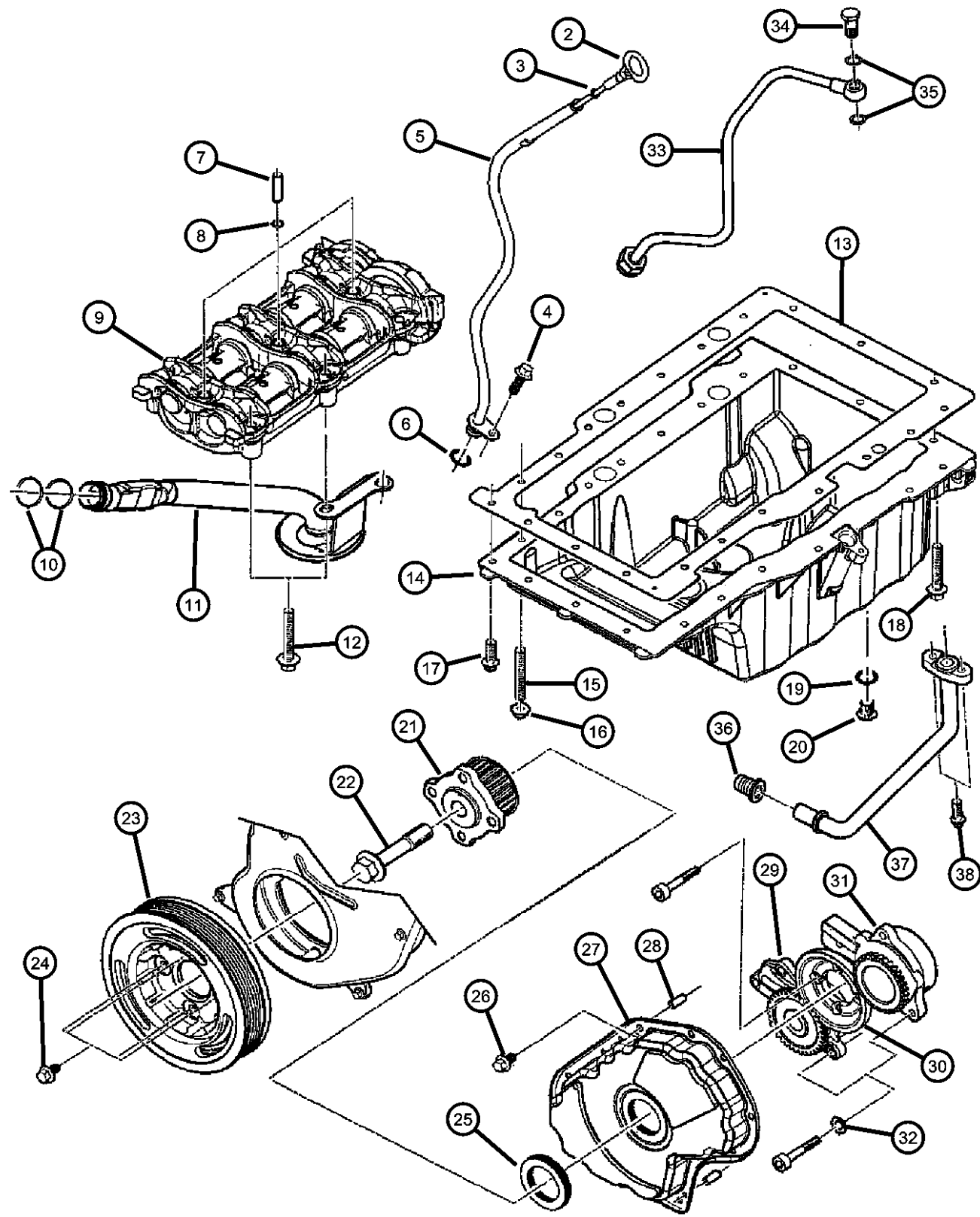
2005 KJ







**Engine Oiling 2.8 Diesel [ENR]  
Figure 2.8L-710**



ITEM	PART NUMBER	QTY	LINE	SERIES	BODY	ENGINE	TRANS	TRIM	DESCRIPTION
	05142607AA	1				EN0	DG0		
		1				EN0	DBB		
33	05142792AA	1				EN0	DG0		SCREW
		1				EN0	DBB		
34	04720713	5				EN0	DG0		WASHER, Implement Attaching
		5				EN0	DBB		
35	05142794AA	1				EN0	DG0		SEAL, Oil Drain Pipe
		1				EN0	DBB		
36	05142606AA	1				EN0	DG0		PIPE, Turbo Oil Drain
		1				EN0	DBB		
37	05066944AB	1				EN0	DG0		SCREW
		1				EN0	DBB		

**LIBERTY (KJ)**

SERIES      LINE  
P = LIMITED      J = JEEP - 4WD  
H = SPORT      U = JEEP - 4WD (RHD)  
M = RENEGADE      T = JEEP - 2WD

BODY  
74 = SPORT UTILITY 4-DR

ENGINE  
ED1 = Engine - 2.4L 4 Cyl  
DOHC 16v SMPI  
EKG = Engine - 3.7L V6  
ENR = Engine - 2.8L 4 Cyl  
Turbo Diesel  
ENO = 4CYL turbo diesel

TRANSMISSION  
DGQ = Transmission-5-Spd Automatic  
5-45RFE  
DG6 = Transmission-4-Spd.  
Automatic, 42RLE  
DEH = Transmission-6-Speed Manual,  
NSG370  
DG0 = Transmissions - All Automatic  
DBB = ALL MANUAL  
TRANSMISSIONS

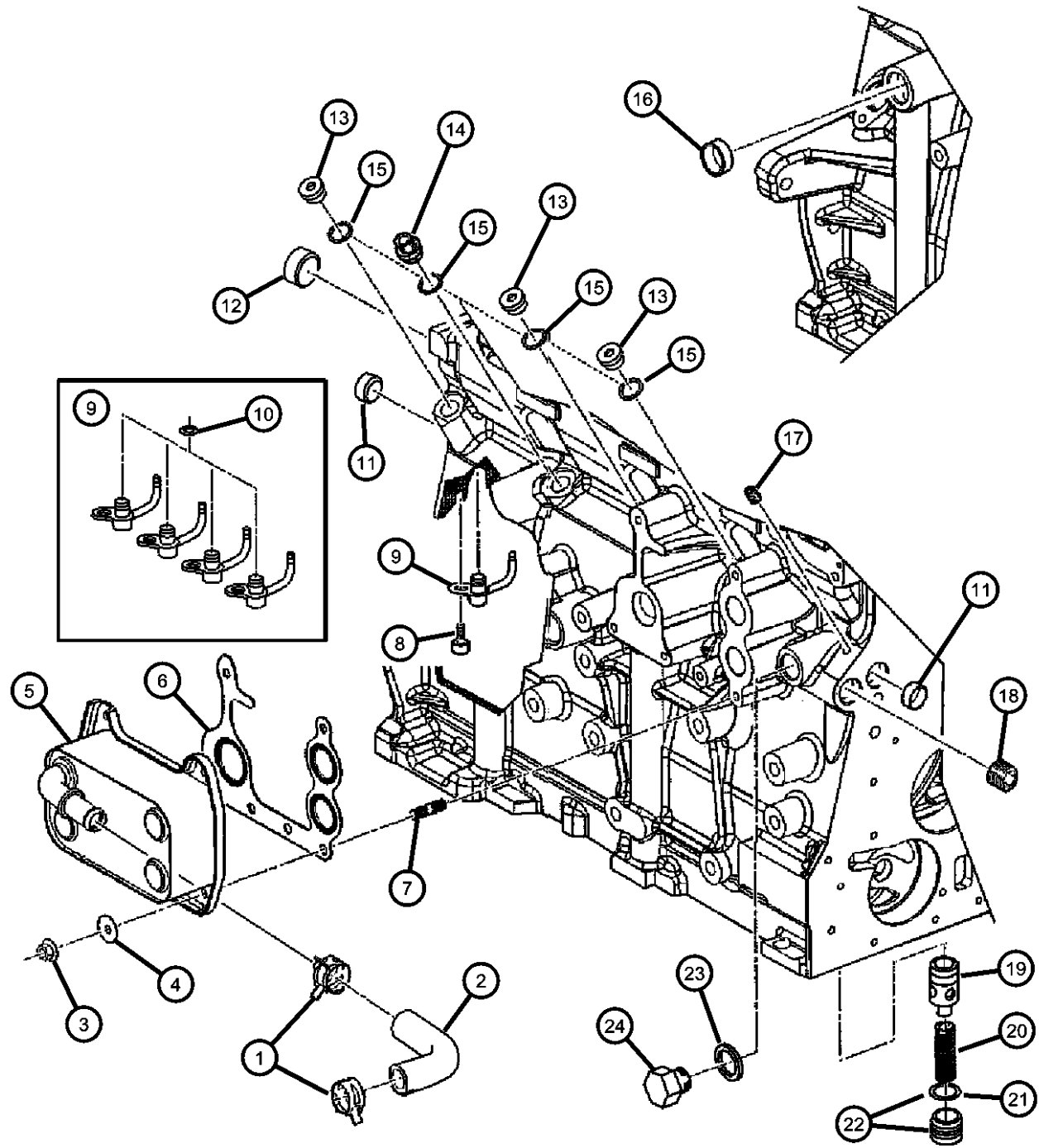
AR = use ase required    - = Non illustrated part







**Oil Passages and Oil Cooler 2.8L Diesel [ENR]  
Figure 2.8L-720**



ITEM	PART NUMBER	QTY	LINE	SERIES	BODY	ENGINE	TRANS	TRIM	DESCRIPTION
21		1				ENO	DBB		O RING
	05066887AA	1				ENO	DG0		
22		1				ENO	DBB		PLUG, Oil Valve
	05142550AA	1				ENO	DG0		
23		1				ENO	DBB		WASHER, Hose Adapter
	04720564	1				ENO	DG0		
24		1				ENO	DBB		PLUG
	05142803AA	1				ENO	DG0		
		1				ENO	DBB		

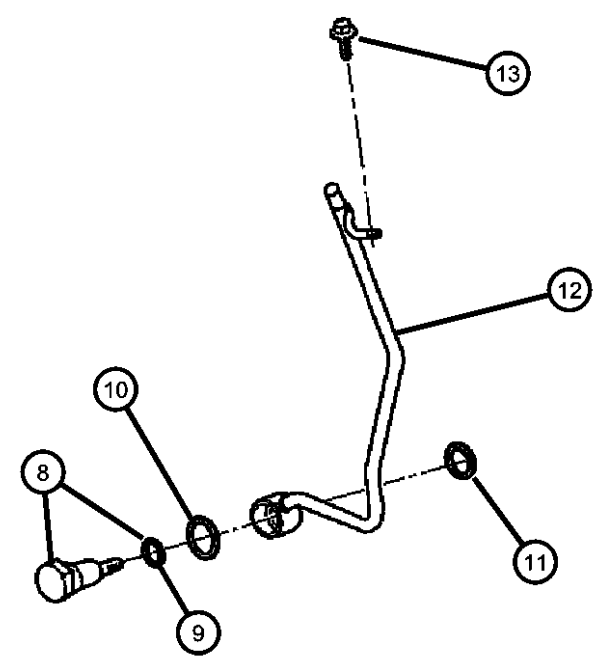
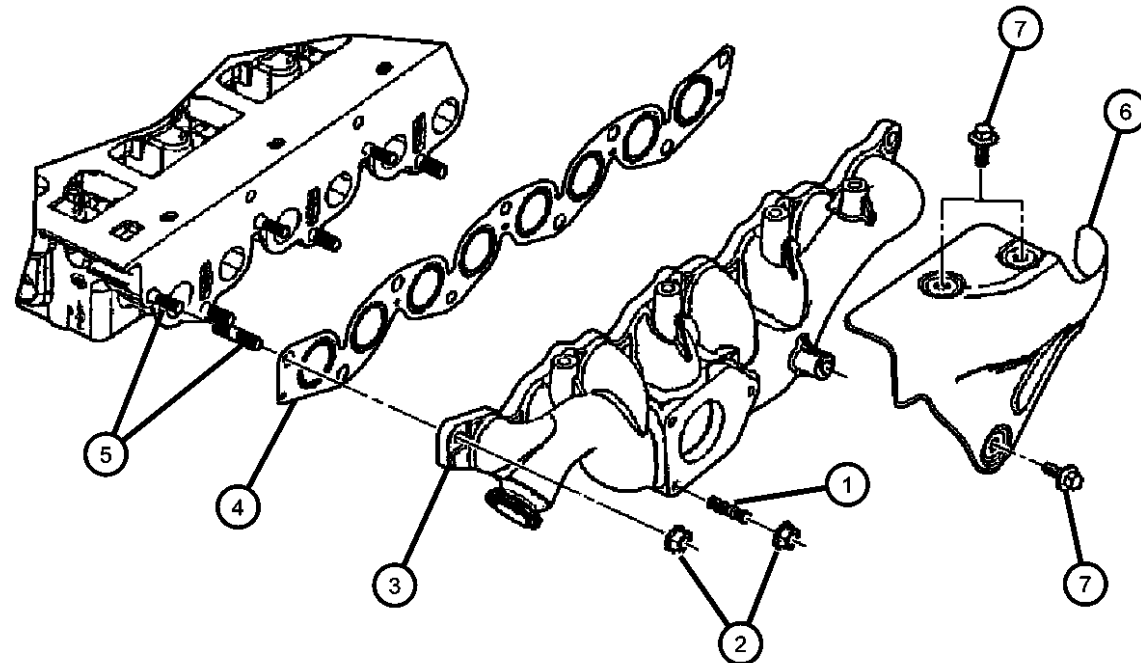
**LIBERTY (KJ)**

SERIES	LINE	BODY	ENGINE	TRANSMISSION
P = LIMITED	J = JEEP - 4WD	74 = SPORT UTILITY 4-DR	ED1 = Engine - 2.4L 4 Cyl DOHC 16v SMPI	DGQ = Transmission-5-Spd Automatic 5-45RFE
H = SPORT	U = JEEP - 4WD (RHD)		EKG = Engine - 3.7L V6	DG6 = Transmission-4-Spd. Automatic, 42RLE
M = RENEGADE	T = JEEP - 2WD		ENR = Engine - 2.8L 4 Cyl Turbo Diesel	DEH = Transmission-6-Speed Manual, NSG370
			ENO = 4CYL turbo diesel	DG0 = Transmissions - All Automatic
				DBB = ALL MANUAL TRANSMISSIONS

AR = use ase required - = Non illustrated part



**Exhaust Manifold and Vacuum Line [ENR]  
Figure 2.8L-810**



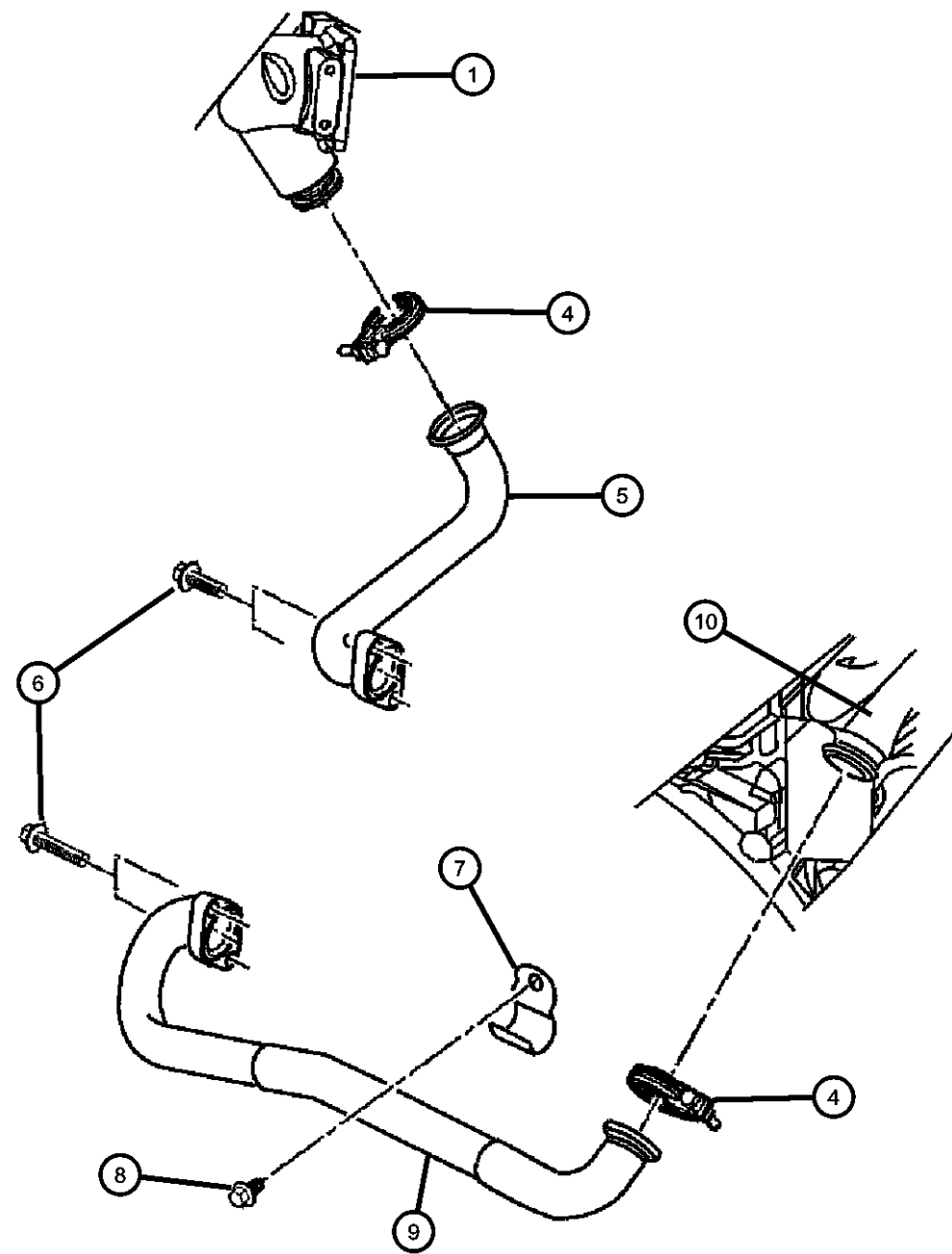
ITEM	PART NUMBER	QTY	LINE	SERIES	BODY	ENGINE	TRANS	TRIM	DESCRIPTION
	05015040AA	1				EN0	DG0		
		1				EN0	DBB		
11									GASKET, Vacuum Pump, .
	04863779	1				EN0	DG0		
		1				EN0	DBB		
12									LINE, Vacuum
	05142786AA	1				EN0	DG0		
		1				EN0	DBB		
13									BOLT, M6x10
	05003551AA	1				EN0	DG0		
		1				EN0	DBB		

**LIBERTY (KJ)**

SERIES	LINE	BODY	ENGINE	TRANSMISSION
P = LIMITED	J = JEEP - 4WD	74 = SPORT UTILITY 4-DR	ED1 = Engine - 2.4L 4 Cyl DOHC 16v SMPI	DGQ = Transmission-5-Spd Automatic 5-45RFE
H = SPORT	U = JEEP - 4WD (RHD)		EKG = Engine - 3.7L V6	DG6 = Transmission-4-Spd. Automatic, 42RLE
M = RENEGADE	T = JEEP - 2WD		ENR = Engine - 2.8L 4 Cyl Turbo Diesel	DEH = Transmission-6-Speed Manual, NSG370
			ENO = 4CYL turbo diesel	DG0 = Transmissions - All Automatic
				DBB = ALL MANUAL TRANSMISSIONS

AR = use ase required - = Non illustrated part

**Intake Manifold Air Lines 2.8L [ENR]  
Figure 2.8L-820**



ITEM	PART NUMBER	QTY	LINE	SERIES	BODY	ENGINE	TRANS	TRIM	DESCRIPTION
1	05142602AA	1				EN0	DG0		ELBOW, Air Intake
-2	05066946AA	1				EN0	DBB		GASKET, Air Intake Elbow
-3	05066944AA	4				EN0	DG0		SCREW, Elbow Attaching
4	05142994AA	2				EN0	DBB		CLAMP
5	05142600AA	1				EN0	DG0		PIPE, EGR, Support to EGR Kit
6	05066963AA	4				EN0	DG0		SCREW
7	05142585AA	1				EN0	DG0		CLAMP
8	04864748AB	1				EN0	DG0		BOLT
9	05170765AA	1				EN0	DG0		PIPE, EGR, Manifold to Valve
10		1				EN0	DBB		MANIFOLD, Exhaust, Reference, (NOT SERVICED)

NOTES:  
Sales Codes  
[DBB] = All Manual Transmissions  
[DG0]= All Automatic Transmissions  
[EN0]= All 4/5 Cylinder Turbo Diesels

**LIBERTY (KJ)**

SERIES      LINE  
P = LIMITED    J = JEEP - 4WD  
H = SPORT      U = JEEP - 4WD (RHD)  
M = RENEGADE   T = JEEP - 2WD

BODY  
74 = SPORT UTILITY 4-DR

ENGINE  
ED1 = Engine - 2.4L 4 Cyl  
DOHC 16v SMPI  
EKG = Engine - 3.7L V6  
ENR = Engine - 2.8L 4 Cyl  
Turbo Diesel  
ENO = 4CYL turbo diesel

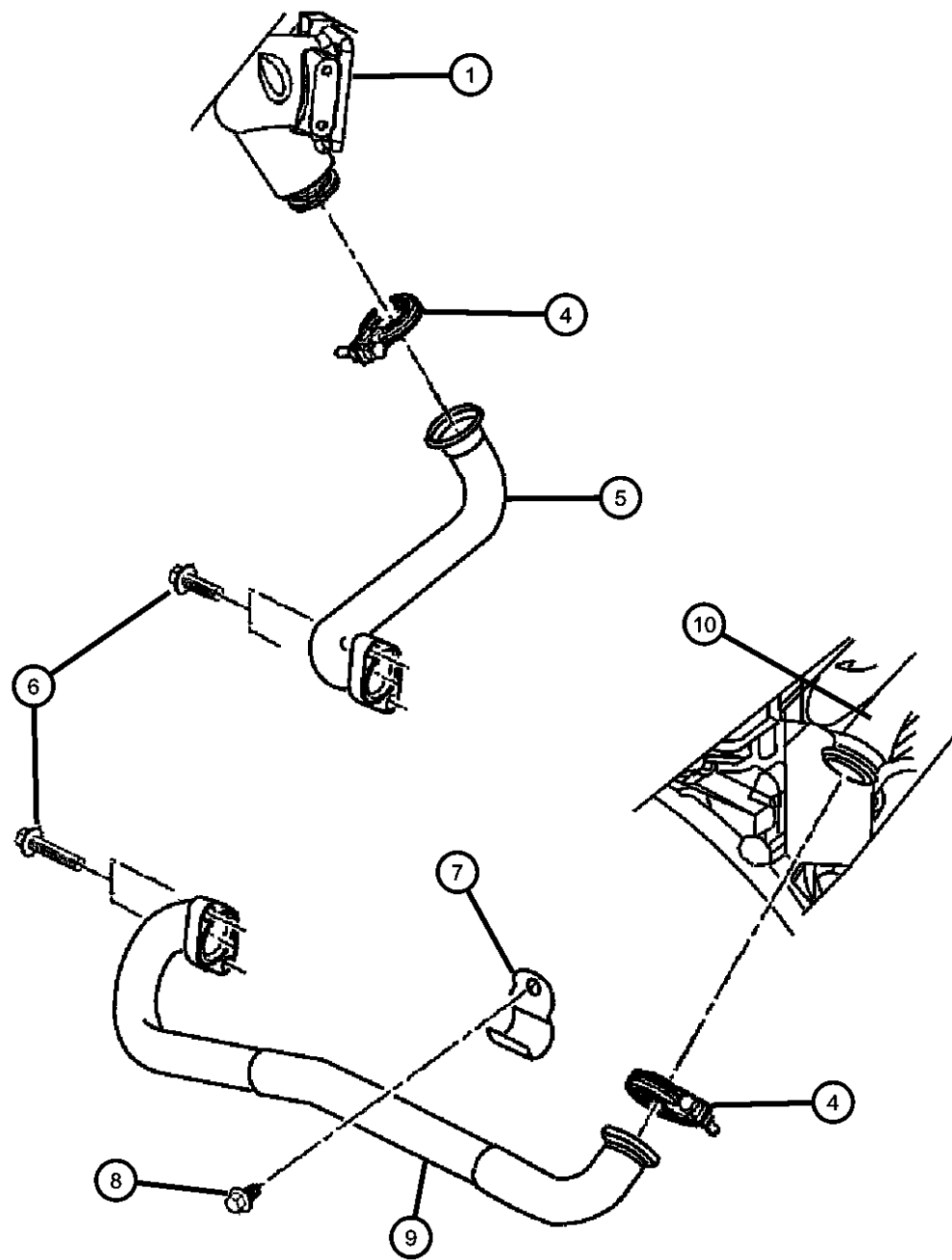
TRANSMISSION  
DGQ = Transmission-5-Spd Automatic  
5-45RFE  
DG6 = Transmission-4-Spd.  
Automatic, 42RLE  
DEH = Transmission-6-Speed Manual,  
NSG370  
DG0 = Transmissions - All Automatic  
DBB = ALL MANUAL  
TRANSMISSIONS

AR = use ase required   - = Non illustrated part

2005 KJ

**Intake Manifold Air Lines 2.8L [ENR]  
Figure 2.8L-820**

ITEM	PART NUMBER	QTY	LINE	SERIES	BODY	ENGINE	TRANS	TRIM	DESCRIPTION
-11									O RING, Egr airflow control valve to elbow
	05142806AA	1				EN0	DG0		
		1				EN0	DBB		
-12									GASKET, Egr airflow control valve
	05142613AA	1				EN0	DG0		
		1				EN0	DBB		



**LIBERTY (KJ)**

SERIES      LINE  
P = LIMITED      J = JEEP - 4WD  
H = SPORT      U = JEEP - 4WD (RHD)  
M = RENEGADE      T = JEEP - 2WD

BODY  
74 = SPORT UTILITY 4-DR

ENGINE  
ED1 = Engine - 2.4L 4 Cyl  
DOHC 16v SMPI  
EKG = Engine - 3.7L V6  
ENR = Engine - 2.8L 4 Cyl  
Turbo Diesel  
ENO = 4CYL turbo diesel

TRANSMISSION  
DGQ = Transmission-5-Spd Automatic  
5-45RFE  
DG6 = Transmission-4-Spd.  
Automatic, 42RLE  
DEH = Transmission-6-Speed Manual,  
NSG370  
DG0 = Transmissions - All Automatic  
DBB = ALL MANUAL  
TRANSMISSIONS

AR = use ase required    - = Non illustrated part

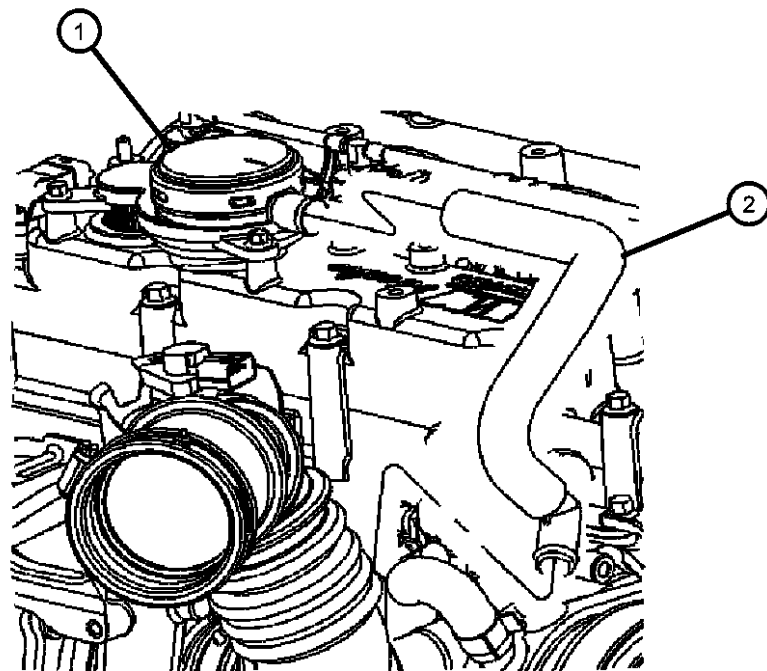
2005 KJ

**Crankcase Ventilation 2.8L Diesel [ENR]  
Figure 2.8L-910**

ITEM	PART NUMBER	QTY	LINE	SERIES	BODY	ENGINE	TRANS	TRIM	DESCRIPTION
------	-------------	-----	------	--------	------	--------	-------	------	-------------

NOTES:  
Sales Codes  
[DBB] = All Manual Transmissions  
[DG0] = All Automatic Transmissions  
[EN0] = All 4/5 Cylinder Turbo Diesels

1									VALVE, Pressure Control
	05114348AB	1				EN0	DG0		
						EN0	DBB		
2	53013729AB	1				EN0			HOSE, Separator To Air Cleaner



**LIBERTY (KJ)**

SERIES      LINE  
P = LIMITED    J = JEEP - 4WD  
H = SPORT      U = JEEP - 4WD (RHD)  
M = RENEGADE   T = JEEP - 2WD

BODY  
74 = SPORT UTILITY 4-DR

ENGINE  
ED1 = Engine - 2.4L 4 Cyl  
DOHC 16v SMPI  
EKG = Engine - 3.7L V6  
ENR = Engine - 2.8L 4 Cyl  
Turbo Diesel  
ENO = 4CYL turbo diesel

TRANSMISSION  
DGQ = Transmission-5-Spd Automatic  
5-45RFE  
DG6 = Transmission-4-Spd.  
Automatic, 42RLE  
DEH = Transmission-6-Speed Manual,  
NSG370  
DG0 = Transmissions - All Automatic  
DBB = ALL MANUAL  
TRANSMISSIONS

AR = use ase required - = Non illustrated part

2005 KJ

# Group - 11

## Exhaust

### Group - 11 Exhaust

Illustration Title

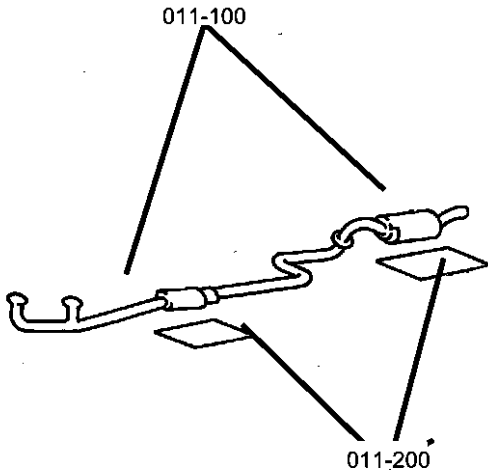
Group-Fig. No.

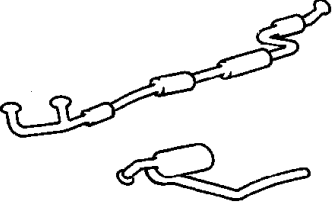
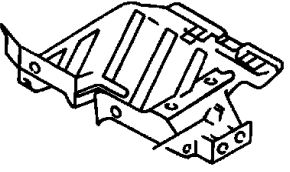
#### Exhaust System

Exhaust System,[ 2.8 Turbo Diesel EN0]..... Fig. 11 - 110  
 Exhaust System [2.4L ED0] ..... Fig. 11 - 120  
 Exhaust System [3.7L EK0] ..... Fig. 11 - 130

#### Heat Shields

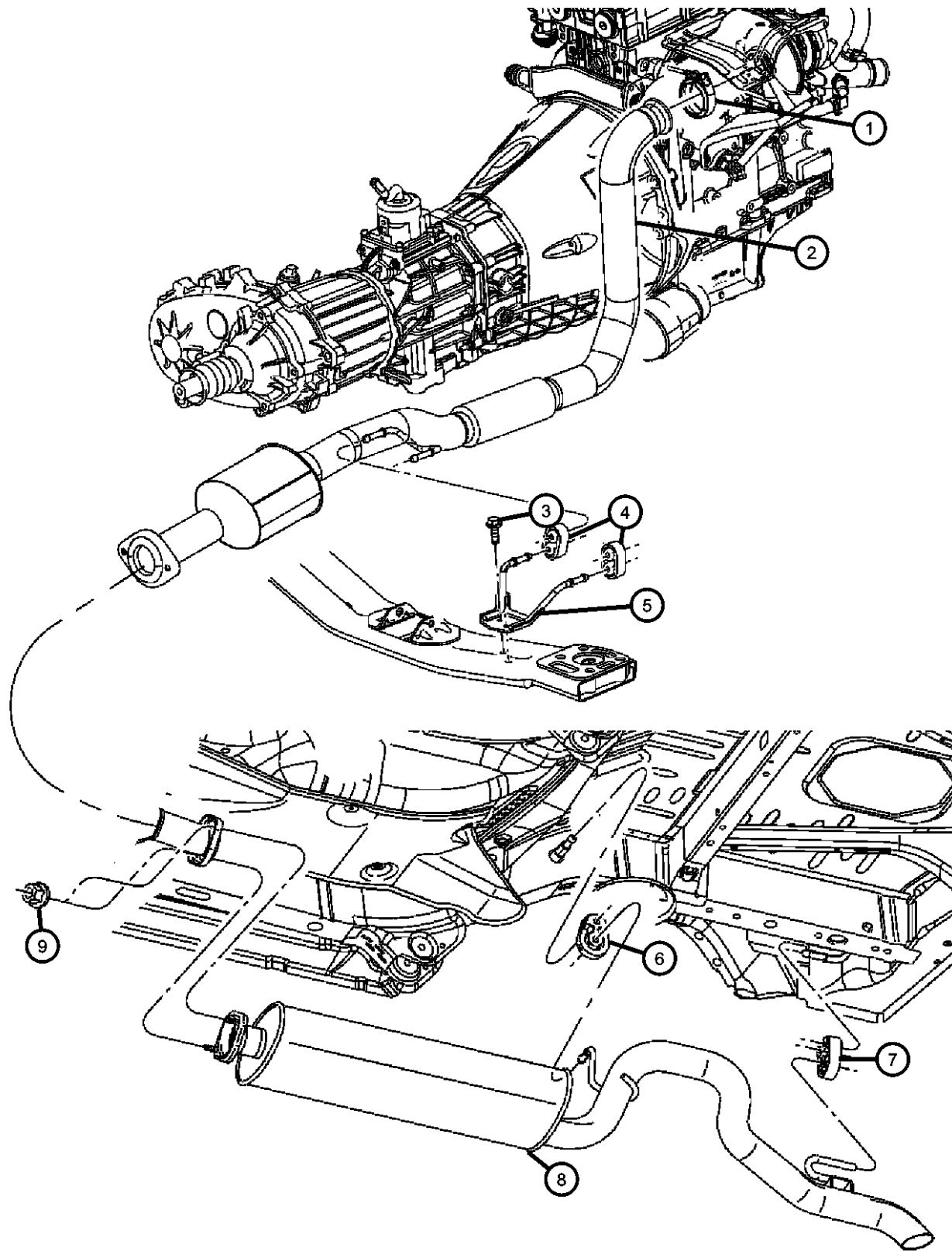
Heat Shields ..... Fig. 11 - 210



<p><b>011-100</b> Exhaust System</p> 	<p><b>011-200</b> Heat Shields</p> 		
---	--	--	--



**Exhaust System,[ 2.8 Turbo Diesel EN0]  
Figure 11-110**



ITEM	PART NUMBER	QTY	LINE	SERIES	BODY	ENGINE	TRANS	TRIM	DESCRIPTION
------	-------------	-----	------	--------	------	--------	-------	------	-------------

Note; Sales Codes  
[EN0]= All 4/5 Cylinder Turbo Diesels

1	52128847AA	1				EN0			CLAMP, Turbo
2									PIPE AND CONVERTER, Exhaust
	52080451AC	1				EN0			FRT W/Catalytic Converter
	52129140AC	1				EN0			
3	06101611	2				EN0			SCREW AND WASHER, Hex Head, M8x1.25x25
4	52060353AA	2				EN0			INSULATOR, Exhaust
5	52128686AB	1				EN0			HANGER, Exhaust
6	52128501AA	1							ISOLATOR
7	52101126AA	1							ISOLATOR, Exhaust
8	52101120AD	1							MUFFLER AND TAILPIPE, Exhaust
9									NUT
	06101611	2				EN0			
	06101696	2							

**LIBERTY (KJ)**

SERIES      LINE  
P = LIMITED      J = JEEP - 4WD  
H = SPORT      U = JEEP - 4WD (RHD)  
M = RENEGADE      T = JEEP - 2WD

BODY  
74 = SPORT UTILITY 4-DR

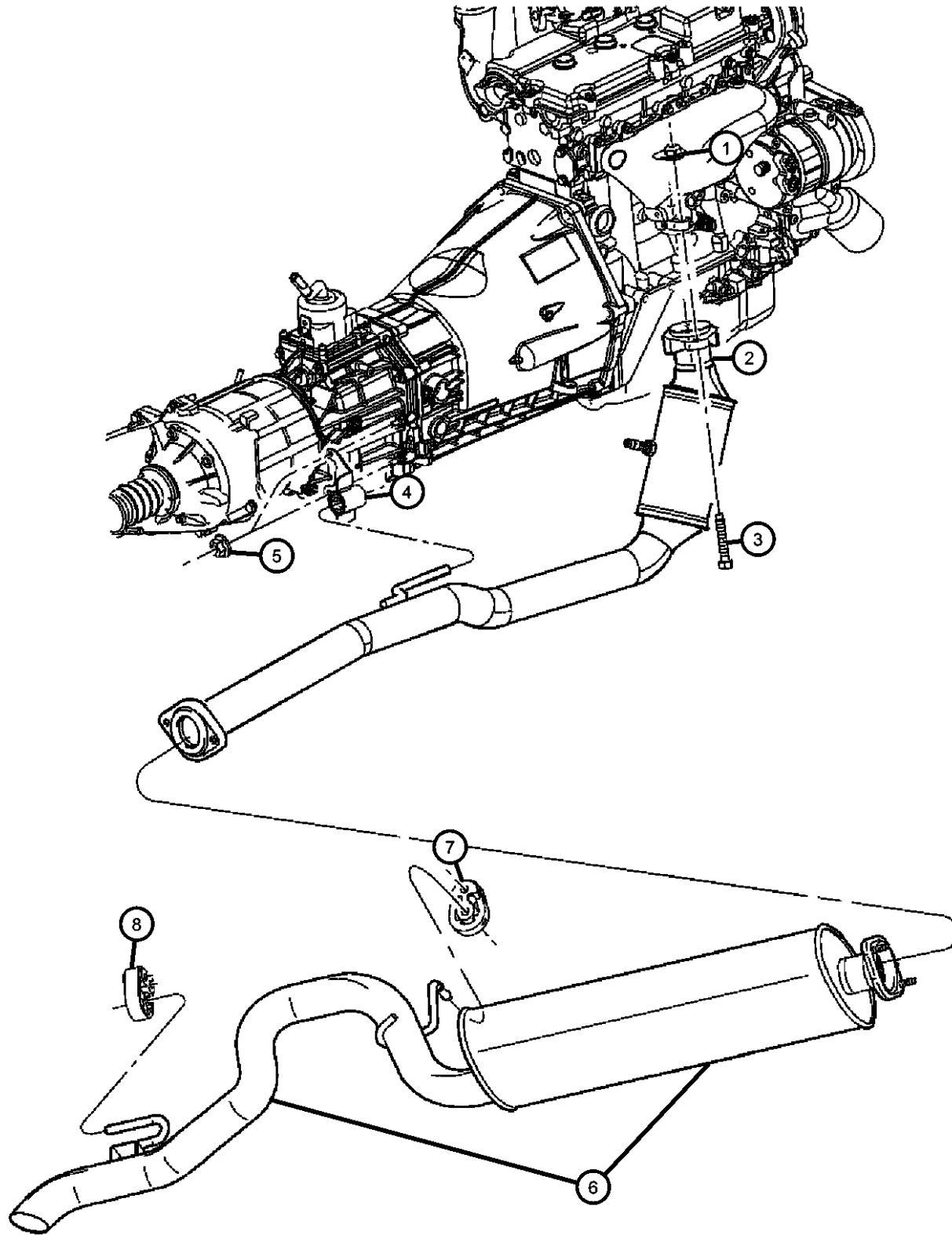
ENGINE  
ED1 = Engine - 2.4L 4 Cyl DOHC 16v SMPI  
EKG = Engine - 3.7L V6  
ENR = Engine - 2.8L 4 Cyl Turbo Diesel  
ENO = 4CYL turbo diesel

TRANSMISSION  
DGQ = Transmission-5-Spd Automatic 5-45RFE  
DG6 = Transmission-4-Spd. Automatic, 42RLE  
DEH = Transmission-6-Speed Manual, NSG370  
DG0 = Transmissions - All Automatic  
DBB = ALL MANUAL TRANSMISSIONS

AR = use ase required - = Non illustrated part

2005 KJ

**Exhaust System [2.4L ED0]  
Figure 11-120**



ITEM	PART NUMBER	QTY	LINE	SERIES	BODY	ENGINE	TRANS	TRIM	DESCRIPTION
------	-------------	-----	------	--------	------	--------	-------	------	-------------

Note; Sales Codes  
 [DD0]= All 5 Speed Manual Transmissions  
 [ED0]= All 2.2L,2.5L,2.4L, 4 Cylinder Gas Engines

1	04682810AB	2				ED0			NUT, Hex Flange, M8x1.25
2	52128909AC	1				ED0			PIPE AND CONVERTER, Exhaust, To Manifold
3	06505954AA	2				ED0			SCREW, Hex Head Pilot Point, M8x1.25x65.00
4	52128906AA	1				ED0	DEH		HANGER, Exhaust
5	06101696	2							NUT
6	52101120AD	1							MUFFLER AND TAILPIPE, Exhaust
7	52128501AA	1							ISOLATOR
8	52101126AA	1							ISOLATOR, Exhaust
-9	06101696	2							NUT
-10	52128906AA	1				ED0	DEH		HANGER, Exhaust

**LIBERTY (KJ)**

SERIES	LINE
P = LIMITED	J = JEEP - 4WD
H = SPORT	U = JEEP - 4WD (RHD)
M = RENEGADE	T = JEEP - 2WD

BODY  
 74 = SPORT UTILITY 4-DR

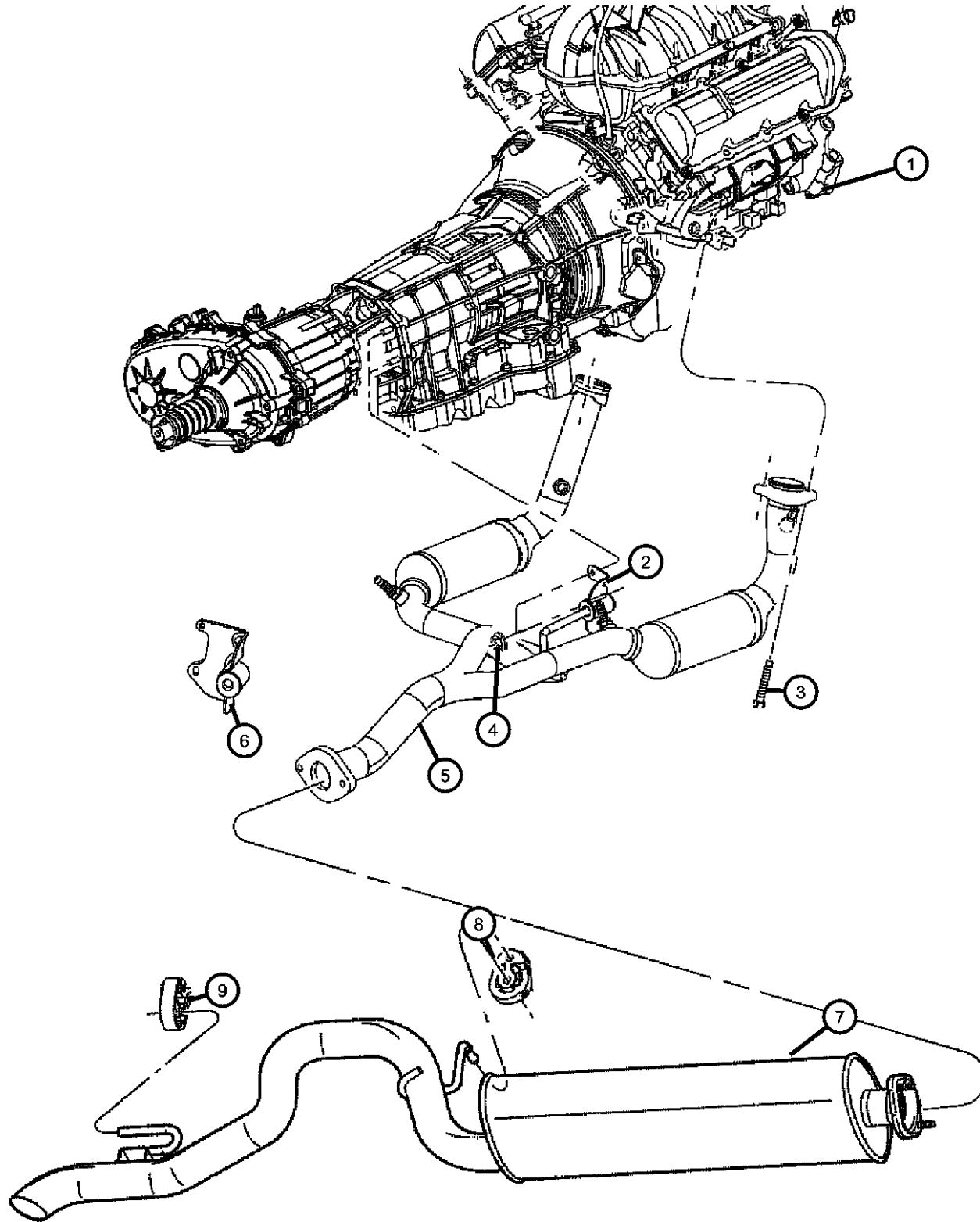
ENGINE  
 ED1 = Engine - 2.4L 4 Cyl DOHC 16v SMPI  
 EKG = Engine - 3.7L V6  
 ENR = Engine - 2.8L 4 Cyl Turbo Diesel  
 ENO = 4CYL turbo diesel

TRANSMISSION  
 DGQ = Transmission-5-Spd Automatic 5-45RFE  
 DG6 = Transmission-4-Spd. Automatic, 42RLE  
 DEH = Transmission-6-Speed Manual, NSG370  
 DG0 = Transmissions - All Automatic  
 DBB = ALL MANUAL TRANSMISSIONS

AR = use ase required - = Non illustrated part

2005 KJ

**Exhaust System [3.7L EK0]  
Figure 11-130**



ITEM	PART NUMBER	QTY	LINE	SERIES	BODY	ENGINE	TRANS	TRIM	DESCRIPTION
------	-------------	-----	------	--------	------	--------	-------	------	-------------

Note; Sales Codes [EK0]= All 3.7L 6 Cylinder Gas Engines

1	06508305AA	4				EK0			LOCK NUT, M10-1.50
2	52128668AB	1				EK0	DG0		HANGER, Exhaust
3	06505699AA	4				EK0			SCREW
4	06101695	2				ED0, EK0	DEH		NUT, Hex Flange Lock
5	52129078AB	1				EK0			PIPE AND CONVERTER, Exhaust, To Manifold
6	52128905AA	1				EK0	DBB		HANGER, Exhaust
7	52101120AD	1							MUFFLER AND TAILPIPE, Exhaust
8	52128501AA	1							ISOLATOR
9	52101126AA	1							ISOLATOR, Exhaust

**LIBERTY (KJ)**

SERIES	LINE
P = LIMITED	J = JEEP - 4WD
H = SPORT	U = JEEP - 4WD (RHD)
M = RENEGADE	T = JEEP - 2WD

BODY  
74 = SPORT UTILITY 4-DR

ENGINE  
ED1 = Engine - 2.4L 4 Cyl DOHC 16v SMPI  
EKG = Engine - 3.7L V6  
ENR = Engine - 2.8L 4 Cyl Turbo Diesel  
ENO = 4CYL turbo diesel

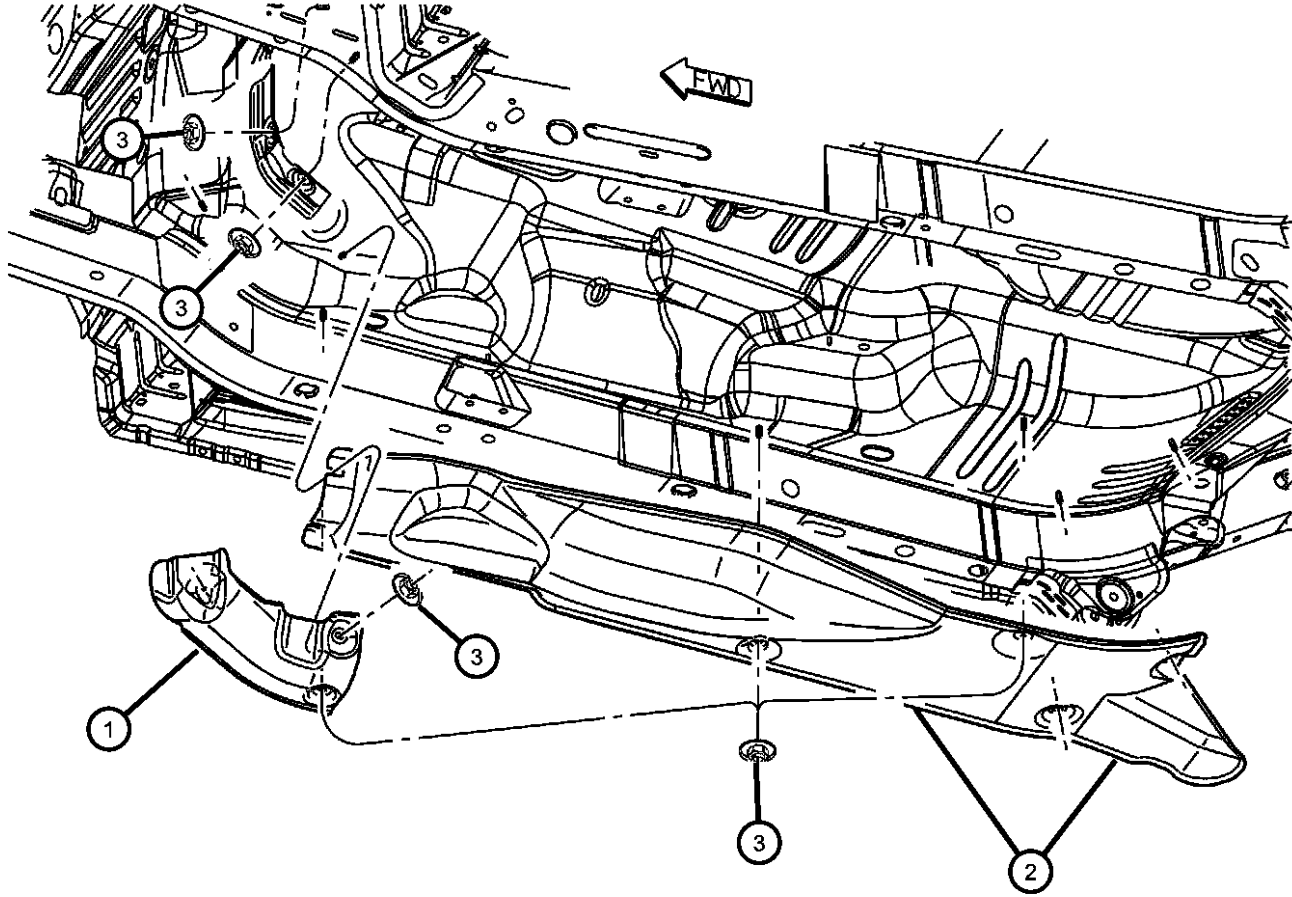
TRANSMISSION  
DGQ = Transmission-5-Spd Automatic 5-45RFE  
DG6 = Transmission-4-Spd. Automatic, 42RLE  
DEH = Transmission-6-Speed Manual, NSG370  
DG0 = Transmissions - All Automatic  
DBB = ALL MANUAL TRANSMISSIONS

AR = use ase required - = Non illustrated part

2005 KJ

Heat Shields  
Figure 11-210

ITEM	PART NUMBER	QTY	LINE	SERIES	BODY	ENGINE	TRANS	TRIM	DESCRIPTION
1	55176791AA	1							SHIELD, Floor Pan
	55360560AC	1				EK0			
2	55176792AC	1							SHIELD, Floor Pan
3	55176792AC	1							NUT, Heat Shield Attach, M5x1.60, (NOT SERVICED)
-4	53013753AB	1				ENO			SHIELD, Exhaust Manifold



LIBERTY (KJ)

SERIES      LINE  
P = LIMITED      J = JEEP - 4WD  
H = SPORT      U = JEEP - 4WD (RHD)  
M = RENEGADE      T = JEEP - 2WD

BODY  
74 = SPORT UTILITY 4-DR

ENGINE  
ED1 = Engine - 2.4L 4 Cyl  
DOHC 16v SMPI  
EKG = Engine - 3.7L V6  
ENR = Engine - 2.8L 4 Cyl  
Turbo Diesel  
ENO = 4CYL turbo diesel

TRANSMISSION  
DGQ = Transmission-5-Spd Automatic  
5-45RFE  
DG6 = Transmission-4-Spd.  
Automatic, 42RLE  
DEH = Transmission-6-Speed Manual,  
NSG370  
DG0 = Transmissions - All Automatic  
DBB = ALL MANUAL  
TRANSMISSIONS

AR = use ase required - = Non illustrated part

2005 KJ

# Group - 13

## Frames and Bumpers

### Group - 13 Frames and Bumpers

Illustration Title

Group-Fig. No.

#### Frames

Frame Cradle.....Fig. 13 - 110

#### Front Bumper and Fascia

Bumper, Front.....Fig. 13 - 210

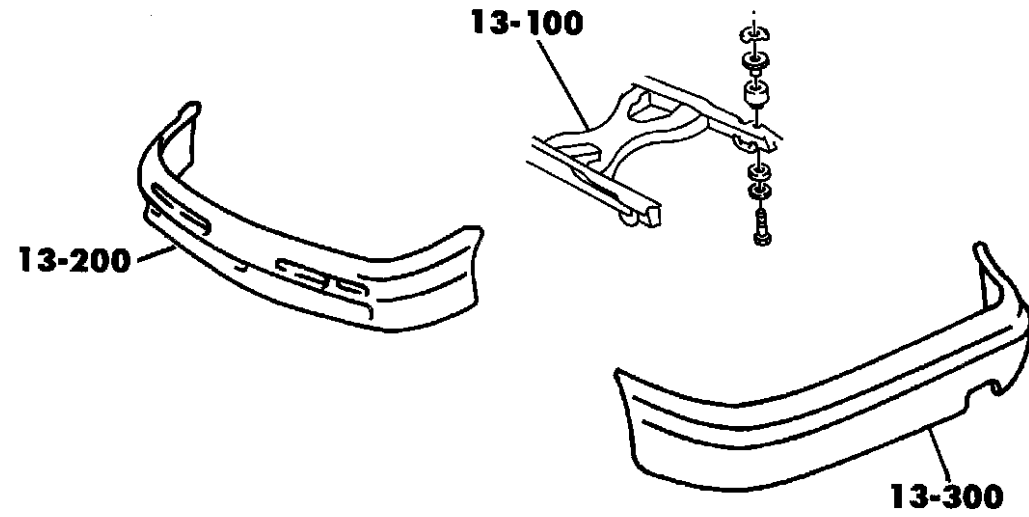
#### Rear Bumper and Fascia

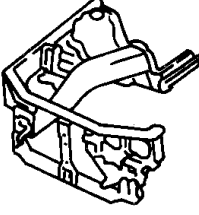
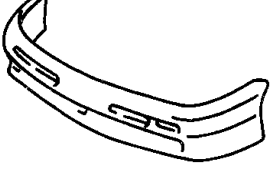

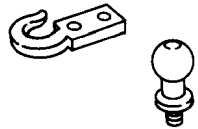
Bumper, Rear.....Fig. 13 - 310

#### Trailer Tow

Tow Hooks - Front.....Fig. 13 - 610

Tow Hooks - Rear.....Fig. 13 - 620



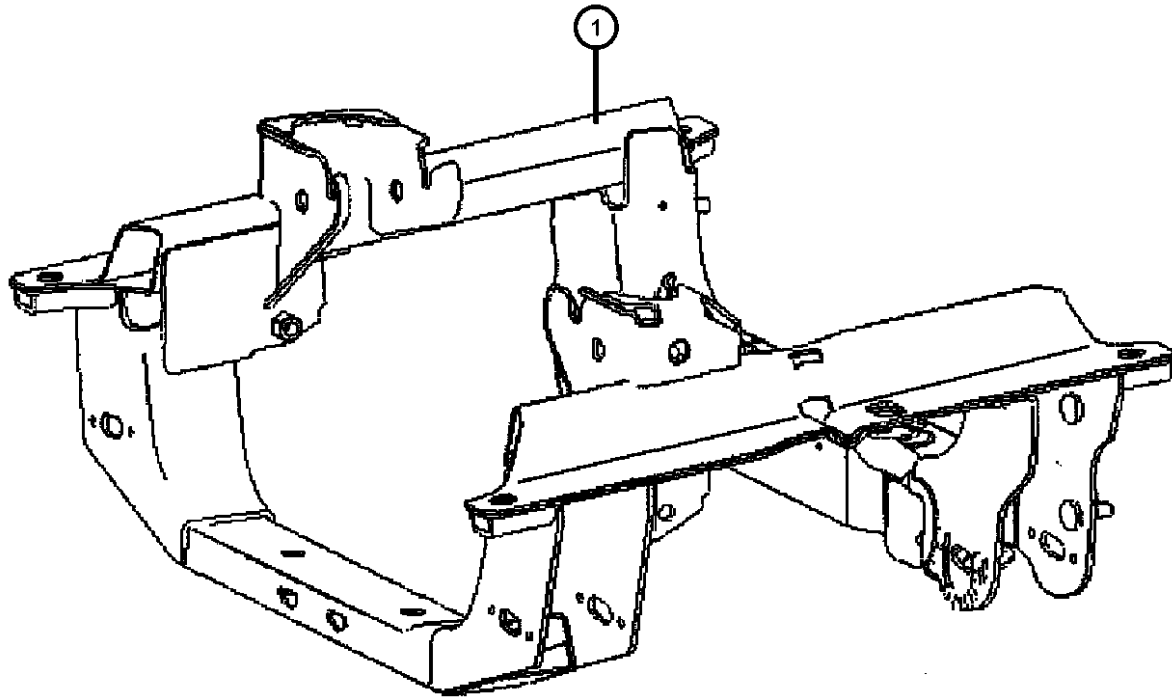
<p><b>013-100</b> Frames</p> 	<p><b>013-200</b> Front Bumper and Fascia</p> 	<p><b>013-300</b> Rear Bumper and Fascia</p> 	<p><b>013-600</b> Trailer Tow</p> 
--	---	---	---

**Frame Cradle**  
**Figure 13-110**

ITEM	PART NUMBER	QTY	LINE	SERIES	BODY	ENGINE	TRANS	TRIM	DESCRIPTION
------	-------------	-----	------	--------	------	--------	-------	------	-------------

Note:Sales Codes;  
 [ED0]=Engines - All 4 Cylinder Gas  
 [EK0]=Engines - All 3.7L 6 Cylinder Gas  
 [EN0]=Engines - All 4/5 Cylinder Turbo Diesel

1									CRADLE, Front Suspension
	52128994AC	1							[EK0]
	52128995AC	1							[ED0]
	52129013AC	1	J, U						[EN0]



**LIBERTY (KJ)**

SERIES      LINE  
 P = LIMITED      J = JEEP - 4WD  
 H = SPORT      U = JEEP - 4WD (RHD)  
 M = RENEGADE      T = JEEP - 2WD

BODY  
 74 = SPORT UTILITY 4-DR

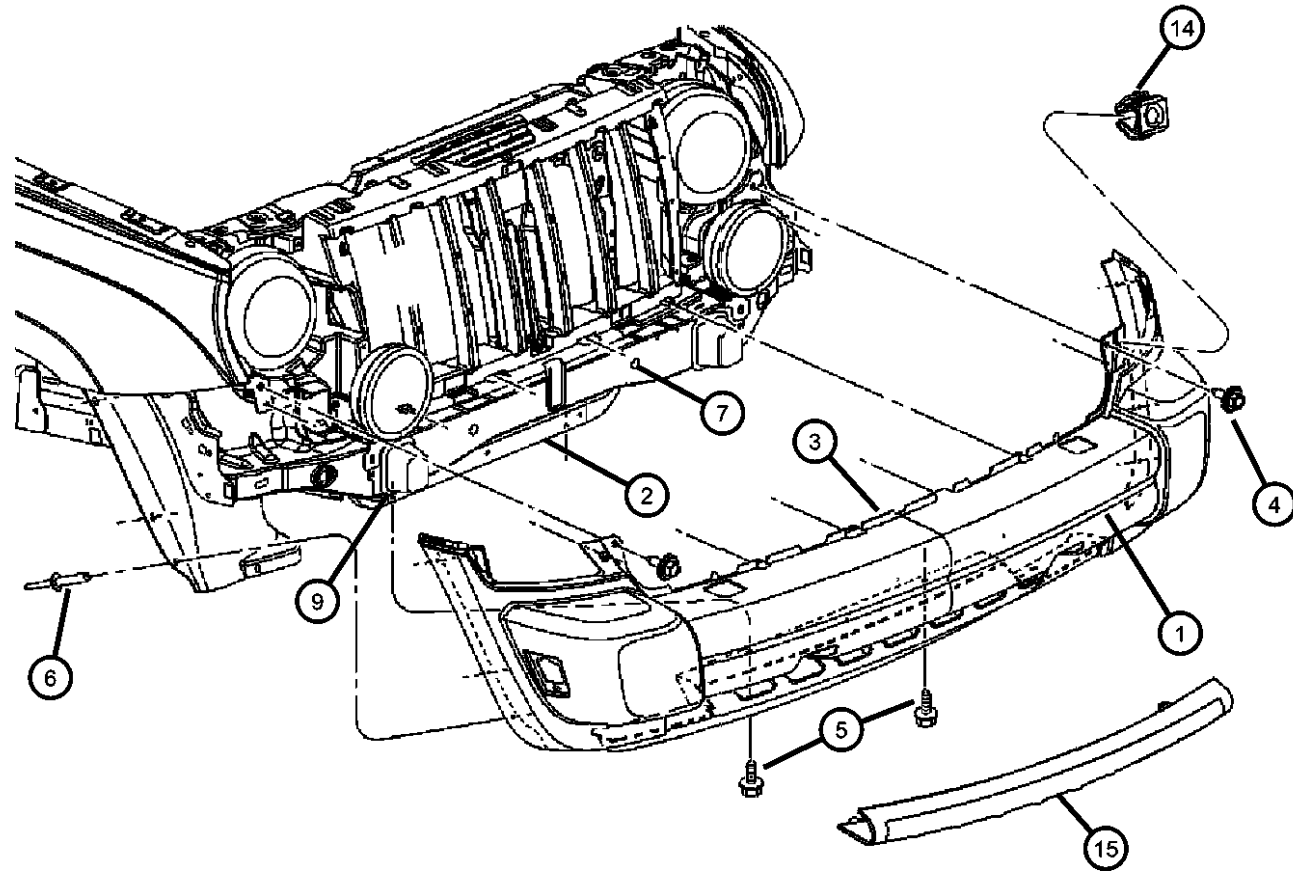
ENGINE  
 ED1 = Engine - 2.4L 4 Cyl  
 DOHC 16v SMPI  
 EKG = Engine - 3.7L V6  
 ENR = Engine - 2.8L 4 Cyl  
 Turbo Diesel  
 ENO = 4CYL turbo diesel

TRANSMISSION  
 DGQ = Transmission-5-Spd Automatic  
 5-45RFE  
 DG6 = Transmission-4-Spd.  
 Automatic, 42RLE  
 DEH = Transmission-6-Speed Manual,  
 NSG370  
 DG0 = Transmissions - All Automatic  
 DBB = ALL MANUAL  
 TRANSMISSIONS

AR = use ase required - = Non illustrated part

2005 KJ

**Bumper, Front**  
**Figure 13-210**



ITEM	PART NUMBER	QTY	LINE	SERIES	BODY	ENGINE	TRANS	TRIM	DESCRIPTION
NOTE: Sales Codes [LNJ]=Fog Lamps [MLA]=Fascia - Body Color [MLC]=Fascia - Gray [MLS]=Fascia - Accent color [XEA]= Tow Hooks [ABE]= Export									
1									FASCIA, Front
	5JG89BDLAB	1							Gray [MLC] Without Tow Hooks [XEA]
	5JG91CD7AD	1							Accent Color [MLS], Paint as Required
	5JG93TZZAB	1							Body Color Fascia [MLA], With Tow Hooks, [XEA], Paint as Required
	5JJ07ZZZAB	1							Body Color Fascia [MLA], Without Tow Hooks [XEA], Paint as Required
	5JU74BDLAB	1							Gray [MLC] With Tow Hooks [XEA]
	5KF18CD7AB	1							Accent Color [MLS], Export [ABE], Paint as Required
2	55157103AD	1							AIR DAM
3									ABSORBER, Front Energy
	55156758AD	1							[MLA]
	55157098AC	1							[MLC,MLS]
4	55157098AC	1							SCREW AND WASHER, Hex Head, M6 x 1.00 x 26.5, (NOT SERVICED),
5	06505903AA	2							SCREW AND WASHER, Self Tapping, M6x1x22
6	06506007AA	8							RIVET
7	55360190AH	1							CROSSMEMBER, Front Support
-8	55156886AA	1			J, T				LICENSE PLATE KIT, [MDA], Front
9	55360410AA	2							SPACER, Jounce Bumper
-10									BRACKET, License Plate
	05288487	1							[ABJ]
	55156887AA	1			J, T				[MDA]
		1							[MDA] [ABJ]

**LIBERTY (KJ)**

SERIES      LINE  
P = LIMITED      J = JEEP - 4WD  
H = SPORT      U = JEEP - 4WD (RHD)  
M = RENEGADE      T = JEEP - 2WD

BODY  
74 = SPORT UTILITY 4-DR

ENGINE  
ED1 = Engine - 2.4L 4 Cyl DOHC 16v SMPI  
EKG = Engine - 3.7L V6  
ENR = Engine - 2.8L 4 Cyl Turbo Diesel  
ENO = 4CYL turbo diesel

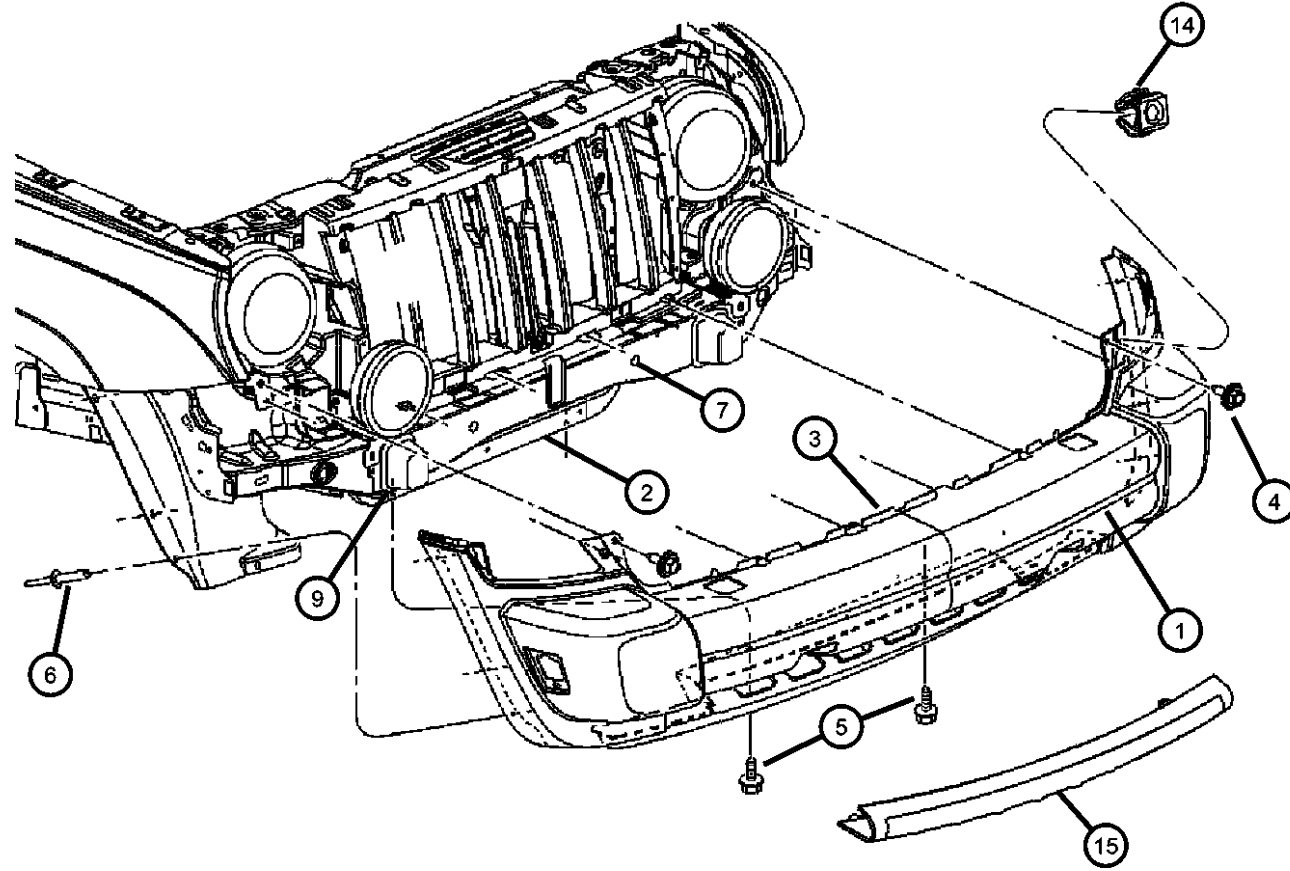
TRANSMISSION  
DGQ = Transmission-5-Spd Automatic 5-45RFE  
DG6 = Transmission-4-Spd. Automatic, 42RLE  
DEH = Transmission-6-Speed Manual, NSG370  
DG0 = Transmissions - All Automatic  
DBB = ALL MANUAL TRANSMISSIONS

AR = use ase required - = Non illustrated part

2005 KJ

**Bumper, Front**  
**Figure 13-210**

ITEM	PART NUMBER	QTY	LINE	SERIES	BODY	ENGINE	TRANS	TRIM	DESCRIPTION
	55156890AA	1							[MDA]
-11	06036001AA	4							RIVET, Blind, .190 X 1.070, Front License Plate Attach
-12									SCREW
	06034866	5	J, T						[MDA]
		5							[MDA] [ABJ]
		5							[MDA]
-13	34201895	1	J, U						SCREW, Hex Head Tapping, M6.3x1.81x16.00, License Plate Attach
14	06508389AA	2							NUT, Snap In, Parking & Turn Signal Attach
15	5KG89WS2AC	1							TRIM PLATE, Fascia Front



**LIBERTY (KJ)**

SERIES      LINE  
P = LIMITED      J = JEEP - 4WD  
H = SPORT      U = JEEP - 4WD (RHD)  
M = RENEGADE      T = JEEP - 2WD

BODY  
74 = SPORT UTILITY 4-DR

ENGINE  
ED1 = Engine - 2.4L 4 Cyl DOHC 16v SMPI  
EKG = Engine - 3.7L V6  
ENR = Engine - 2.8L 4 Cyl Turbo Diesel  
ENO = 4CYL turbo diesel

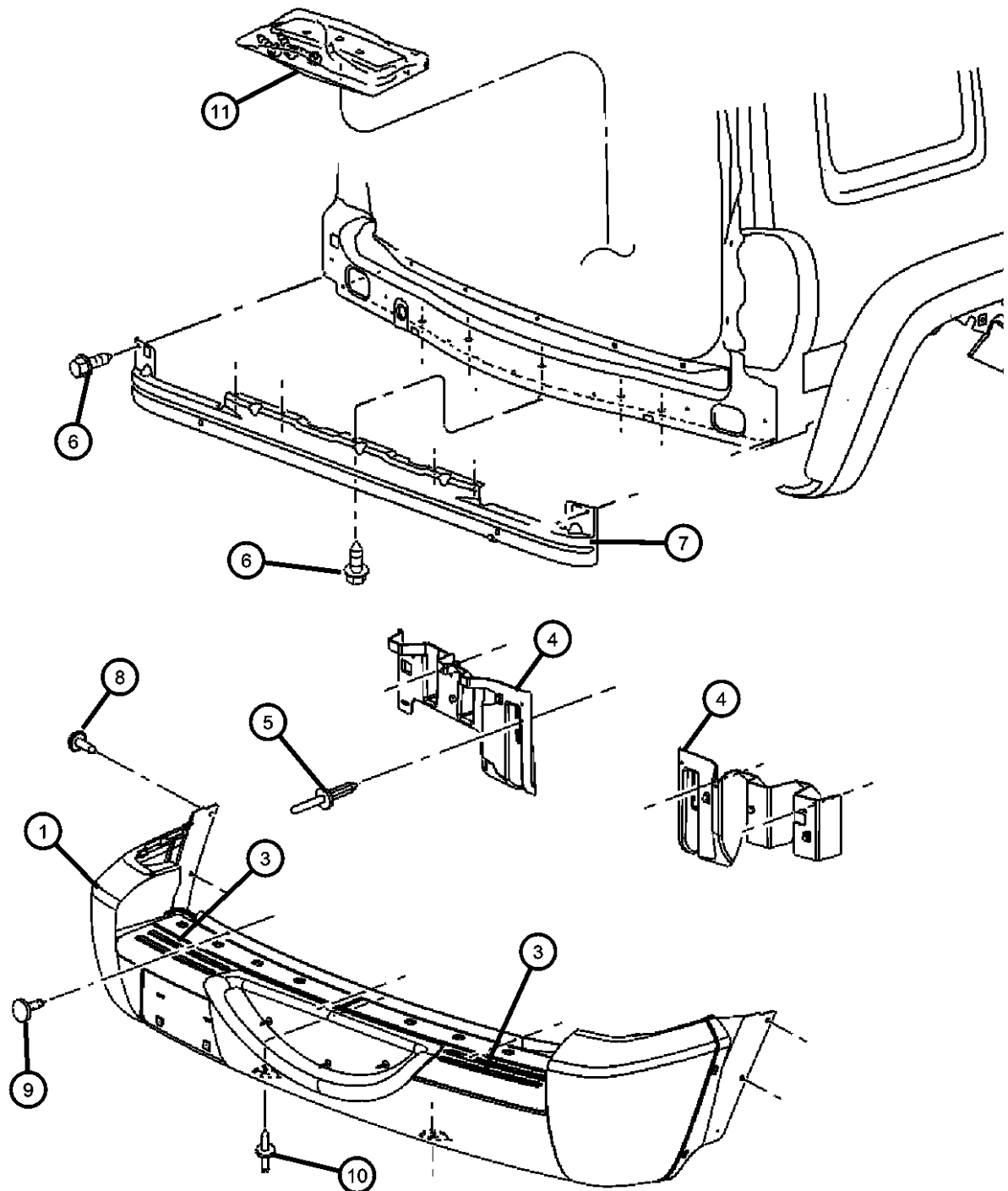
TRANSMISSION  
DGQ = Transmission-5-Spd Automatic 5-45RFE  
DG6 = Transmission-4-Spd. Automatic, 42RLE  
DEH = Transmission-6-Speed Manual, NSG370  
DG0 = Transmissions - All Automatic  
DBB = ALL MANUAL TRANSMISSIONS

AR = use ase required - = Non illustrated part

2005 KJ



**Bumper, Rear**  
**Figure 13-310**



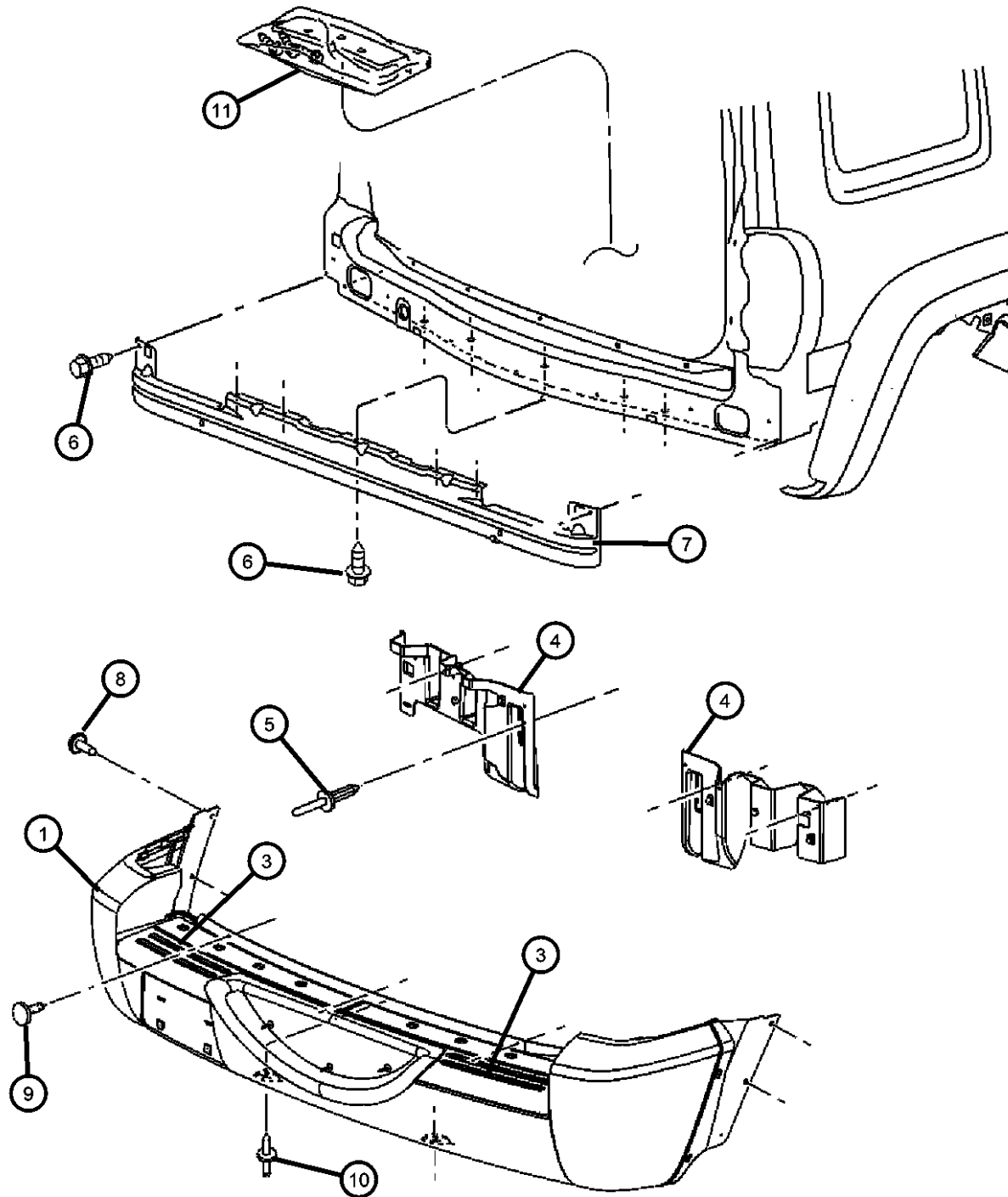
ITEM	PART NUMBER	QTY	LINE	SERIES	BODY	ENGINE	TRANS	TRIM	DESCRIPTION
NOTE : Sales Codes [ABE] = Export Equipment Group [MLA] = Fascias - Body Color [MLC] = Fascias - Silverstone									
1									FASCIA, Rear
	05066317AF	1							[MLA-ABE]
	05066328AD	1							[MLA+ABE]
	5GE72BDLAD	1							[MLC+ABE]
	5GE72CD7AD	1			M				[B7] [MLS+ABE]
		1			M				[GV] [MLS+ABE]
		1			M				[S2] [MLS+ABE]
		1			M				[X8] [MLS+ABE]
	5GE72CJ-MAD	1			M				[JC] [MLS+ABE]
		1			M				[JT] [MLS+ABE]
	5GJ58BDLAE	1							[MLC-ABE]
	5GJ58CD7AE	1							[B7] [MLS-ABE]
		1							[GV] [MLS-ABE]
		1							[S2] [MLS-ABE]
		1							[X8] [MLS-ABE]
	5GJ58CJMAE	1							[JC] [MLS-ABE]
		1							[JT] [MLS-ABE]
-2	04399791	2							REFLECTOR, Fascia, [ABE]
3									STEP PAD, Rear Bumper
	55155996AC	1							Right
	55155997AC	1							Left
4									SUPPORT, Rear Fascia
	55360678AA	1							Right
	55360679AA	1							Left
5	55360679AA	1							RIVET, Blind Bulb, [.25x.795], (NOT SERVICED)
6	06505900AA	7			J, U				SCREW, Tapping Hex Flange Head, M6.3 x 1.81 x 19.00
7	55155820AA	1			J, U				CROSSMEMBER, Bumper, Rear
8	06505905AA	4							SCREW, Hex Head, M6x1x20

<b>LIBERTY (KJ)</b>				
SERIES	LINE	BODY	ENGINE	TRANSMISSION
P = LIMITED	J = JEEP - 4WD	74 = SPORT UTILITY 4-DR	ED1 = Engine - 2.4L 4 Cyl DOHC 16v SMPI	DGQ = Transmission-5-Spd Automatic 5-45RFE
H = SPORT	U = JEEP - 4WD (RHD)		EKG = Engine - 3.7L V6	DG6 = Transmission-4-Spd. Automatic, 42RLE
M = RENEGADE	T = JEEP - 2WD		ENR = Engine - 2.8L 4 Cyl Turbo Diesel	DEH = Transmission-6-Speed Manual, NSG370
			ENO = 4CYL turbo diesel	DG0 = Transmissions - All Automatic
				DBB = ALL MANUAL TRANSMISSIONS

AR = use ase required - = Non illustrated part

**Bumper, Rear**  
**Figure 13-310**

ITEM	PART NUMBER	QTY	LINE	SERIES	BODY	ENGINE	TRANS	TRIM	DESCRIPTION
9	06504442	3							SCREW TAPPING & WASHER, Hex head, M4.2x1.70x13.45
10	06506007AA	2							RIVET
11	55156886AA	1	J, T						BRACKET, License Plate
-12	06036303AA	2	J, U						NUT, .50-20, License Plate
-13	06035201	1	J, U						RIVET, License Plate Module
-14	06506429AA	2	J, U						SCREW, M8x1.25x21, License Plate



**LIBERTY (KJ)**

SERIES      LINE  
P = LIMITED      J = JEEP - 4WD  
H = SPORT      U = JEEP - 4WD (RHD)  
M = RENEGADE      T = JEEP - 2WD

BODY  
74 = SPORT UTILITY 4-DR

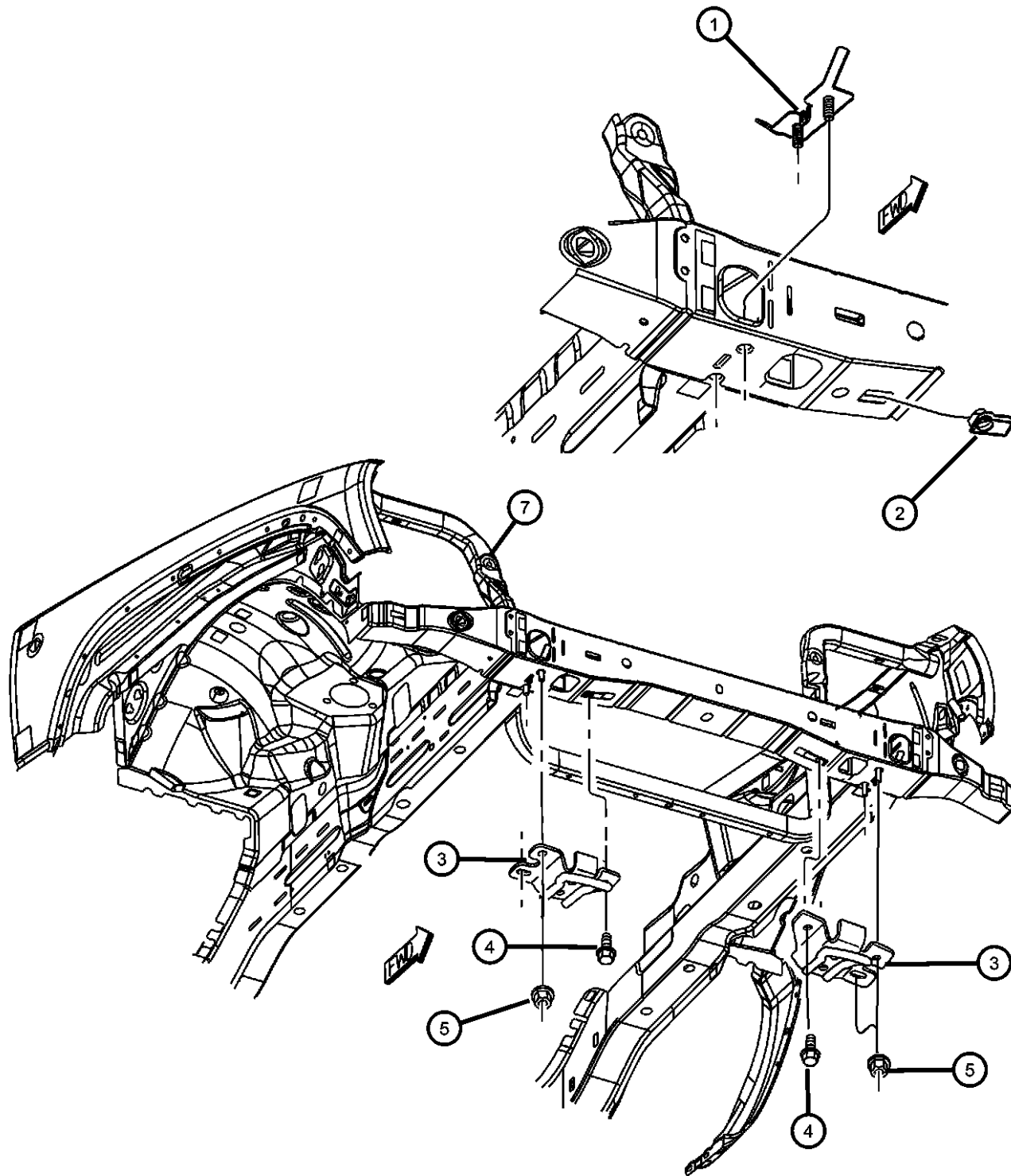
ENGINE  
ED1 = Engine - 2.4L 4 Cyl DOHC 16v SMPI  
EKG = Engine - 3.7L V6  
ENR = Engine - 2.8L 4 Cyl Turbo Diesel  
ENO = 4CYL turbo diesel

TRANSMISSION  
DGQ = Transmission-5-Spd Automatic 5-45RFE  
DG6 = Transmission-4-Spd. Automatic, 42RLE  
DEH = Transmission-6-Speed Manual, NSG370  
DG0 = Transmissions - All Automatic  
DBB = ALL MANUAL TRANSMISSIONS

AR = use ase required - = Non illustrated part

2005 KJ

Tow Hooks - Front  
Figure 13-610



ITEM	PART NUMBER	QTY	LINE	SERIES	BODY	ENGINE	TRANS	TRIM	DESCRIPTION
1	52059352AB	2							STUD PLATE
2	06504818AA	1							NUT, M10x1.50
3	52059353AA	1							EYE, Tow
4	06503699	8							SCREW AND WASHER, Hex Head, M10x1.5x28
5	06504818AA	1							NUT, M10x1.50
-6									HOOK, Tow
	52059236AB	1							Right
	52059237AB	1							Left
7	55176756AE	1							SUPPORT, Radiator
-8	06101102	2							BOLT, Hex Head, M12x1.75x45, Tow Hook To Bracket

LIBERTY (KJ)

SERIES LINE  
P = LIMITED J = JEEP - 4WD  
H = SPORT U = JEEP - 4WD (RHD)  
M = RENEGADE T = JEEP - 2WD

BODY  
74 = SPORT UTILITY 4-DR

ENGINE  
ED1 = Engine - 2.4L 4 Cyl DOHC 16v SMPI  
EKG = Engine - 3.7L V6  
ENR = Engine - 2.8L 4 Cyl Turbo Diesel  
ENO = 4CYL turbo diesel

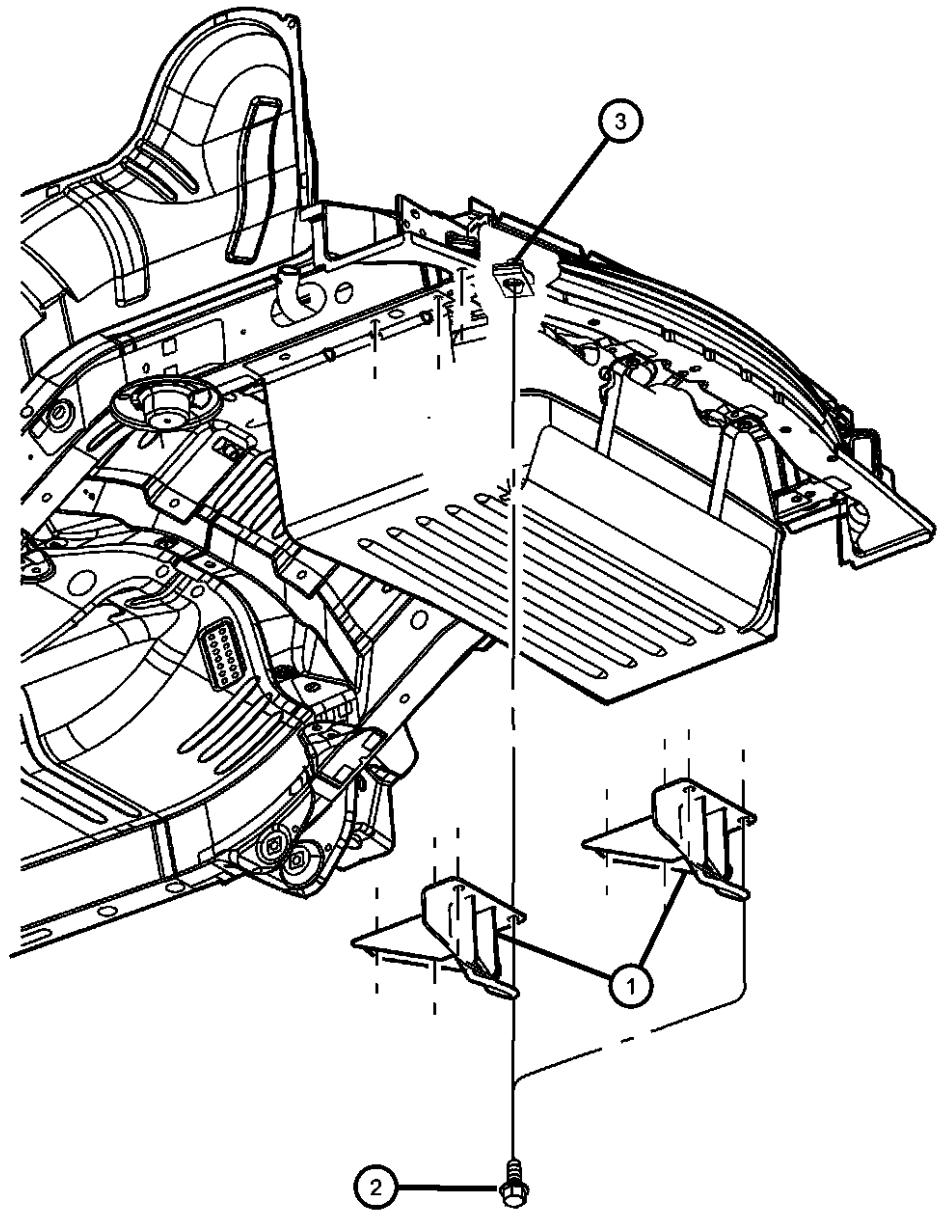
TRANSMISSION  
DGQ = Transmission-5-Spd Automatic 5-45RFE  
DG6 = Transmission-4-Spd. Automatic, 42RLE  
DEH = Transmission-6-Speed Manual, NSG370  
DG0 = Transmissions - All Automatic  
DBB = ALL MANUAL TRANSMISSIONS

AR = use ase required - = Non illustrated part

2005 KJ

Tow Hooks - Rear  
Figure 13-620

ITEM	PART NUMBER	QTY	LINE	SERIES	BODY	ENGINE	TRANS	TRIM	DESCRIPTION
1	52059233AB	1							HOOK, Tow
	52059360AA	1							Hook
	52059360AA	1							Eye
2	06502557	6							BOLT, Hex Flange Head, M12x1.75x40
3	06504565	1							NUT, U Multi Thread
-4	52059224AC	1							HITCH, Trailer



LIBERTY (KJ)

SERIES LINE  
P = LIMITED J = JEEP - 4WD  
H = SPORT U = JEEP - 4WD (RHD)  
M = RENEGADE T = JEEP - 2WD

BODY  
74 = SPORT UTILITY 4-DR

ENGINE  
ED1 = Engine - 2.4L 4 Cyl DOHC 16v SMPI  
EKG = Engine - 3.7L V6  
ENR = Engine - 2.8L 4 Cyl Turbo Diesel  
ENO = 4CYL turbo diesel

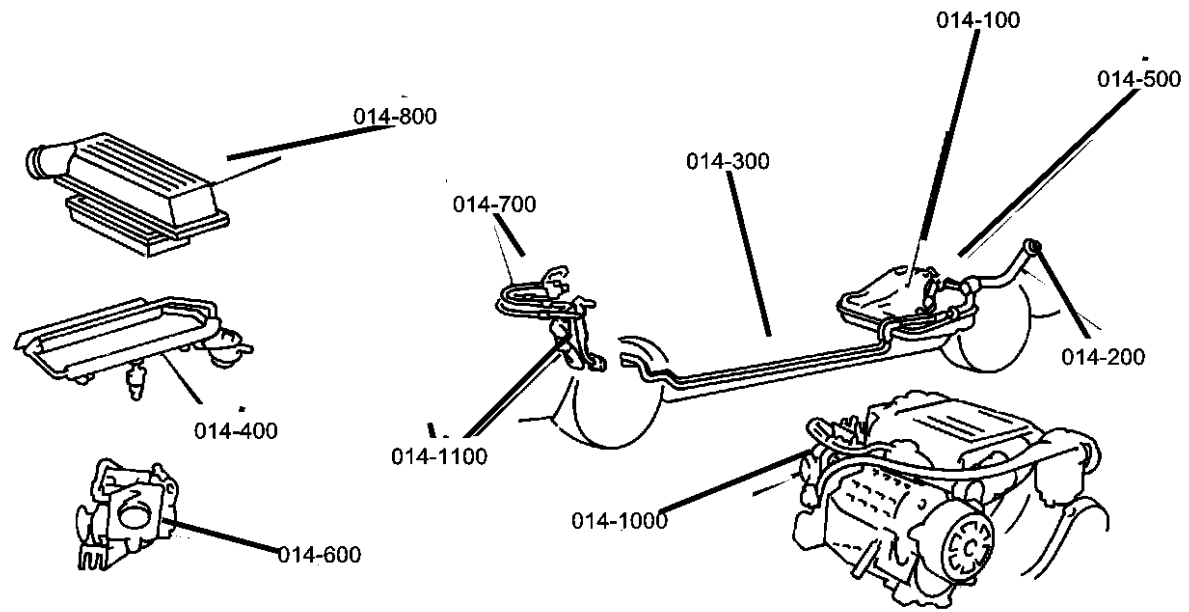
TRANSMISSION  
DGQ = Transmission-5-Spd Automatic 5-45RFE  
DG6 = Transmission-4-Spd. Automatic, 42RLE  
DEH = Transmission-6-Speed Manual, NSG370  
DG0 = Transmissions - All Automatic  
DBB = ALL MANUAL TRANSMISSIONS

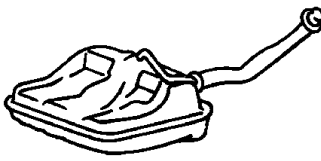
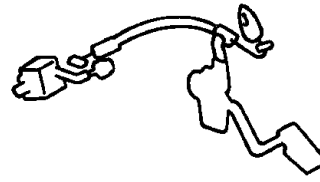

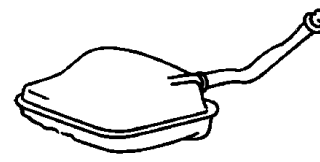

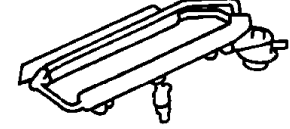
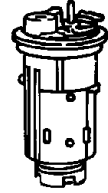

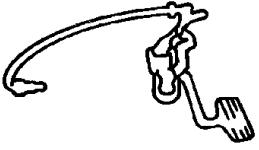
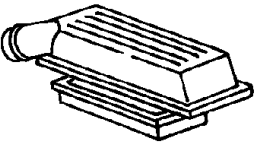
AR = use ase required - = Non illustrated part

2005 KJ

# Group - 14

## Fuel



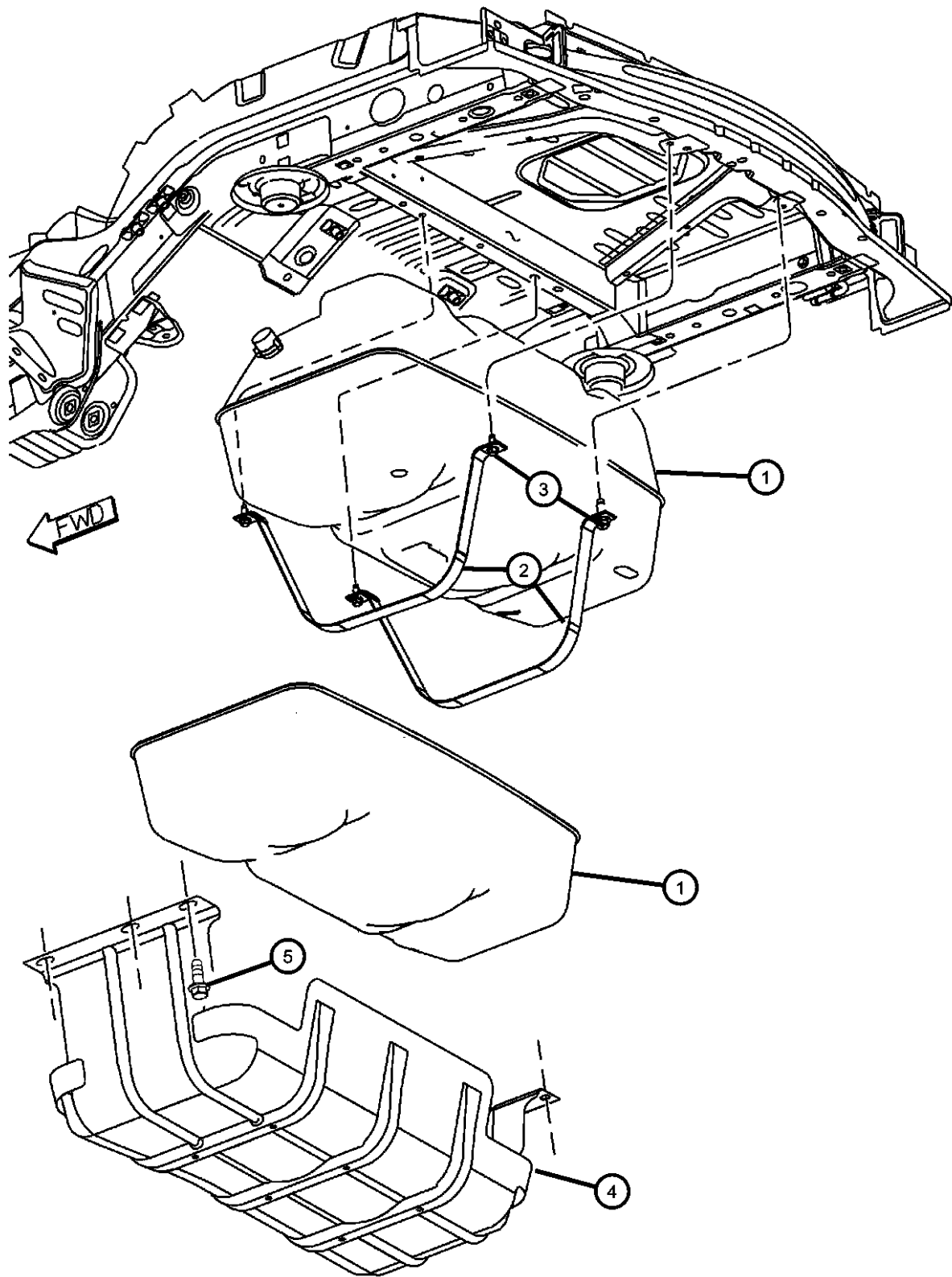
<b>014-100</b> Tank, Fuel 	<b>014-1000</b> Speed Control 	<b>014-1100</b> Accelerator Pedal 	<b>014-200</b> Fuel Tank Filler Tube 
<b>014-300</b> Fuel Lines 	<b>014-400</b> Fuel Rail 	<b>014-500</b> Fuel Pump and Sending Unit 	<b>014-600</b> Throttle Body 
<b>014-700</b> Throttle Controls 	<b>014-800</b> Air Cleaner 		

---

## Group - 14 Fuel

Illustration Title	Group-Fig. No.
<b>Tank, Fuel</b>	
Tank, Fuel, All Engines .....	Fig. 14 - 110
<b>Fuel Tank Filler Tube</b>	
Fuel Tank Filler Tube, All Engines .....	Fig. 14 - 210
<b>Fuel Lines</b>	
Fuel Lines Front, [2.4L ED0] .....	Fig. 14 - 310
Fuel Lines Rear, [2.4L ED0] .....	Fig. 14 - 315
Fuel Lines Front,[ 3.7L EK0].....	Fig. 14 - 320
Fuel Lines Rear, [3.7L EK0] .....	Fig. 14 - 325
Fuel Lines Chassis [2.8L EN0].....	Fig. 14 - 330
Fuel Filter And Water Separator, [2.8L EN0].....	Fig. 14 - 340
<b>Fuel Rail</b>	
Fuel Rail, [2.4L ED1].....	Fig. 14 - 410
Fuel Rail, [3.7L EKG] .....	Fig. 14 - 415
Fuel Injection System [2.8L EN0] .....	Fig. 14 - 420
Fuel Injection Pump [2.8L EN0].....	Fig. 14 - 430
Fuel Injection Pump Mounting.....	Fig. 14 - 435
<b>Fuel Pump and Sending Unit</b>	
Fuel Pump and Sending Unit, [2.4L ED0, 3.7L EK0, 2.8L EN0].....	Fig. 14 - 510
<b>Throttle Body</b>	
Throttle Body, [2.4L ED0 3.7, EK0] .....	Fig. 14 - 610
Turbocharger [2.8L EN0] .....	Fig. 14 - 620
Electric turbo Modulator .....	Fig. 14 - 630
<b>Throttle Controls</b>	
Throttle Controls, [2.4L ED0] .....	Fig. 14 - 710
Throttle Controls, [3.7L EK0] .....	Fig. 14 - 720
Throttle Control [2.8L EN0].....	Fig. 14 - 730
<b>Air Cleaner</b>	
Air Cleaner, [2.4L ED0] .....	Fig. 14 - 810
Air Cleaner, [3.7L EK0] .....	Fig. 14 - 820
Air Cleaner, [2.8L EN0] .....	Fig. 14 - 830
<b>Speed Control</b>	
Speed Control .....	Fig. 14 - 1010
<b>Accelerator Pedal</b>	
Accelerator Pedal .....	Fig. 14 - 1110

Tank, Fuel, All Engines  
Figure 14-110



ITEM	PART NUMBER	QTY	LINE	SERIES	BODY	ENGINE	TRANS	TRIM	DESCRIPTION
Note; Sales Codes [ED0]= All 2.2L,2.5L,2.4L, 4 Cylinder Gas Engines [EK0]= All 3.7L 6 Cylinder Gas Engines [EN0]= All 4/5 Cylinder Turbo Diesels [XEE]=Skid Plate Shield, Fuel Tank									
1									TANK, Fuel - Plastic
	52128911AG	1				ED0, EK0			
	52128922AF	1				EN0			
2	52100334AG	2							STRAP, Fuel Tank
3	06503183	4							SCREW, Hex Head, M10x1.5x30
4	52100332AG	1							PLATE, Skid, [XEE]
5	06502557	6							BOLT, Hex Flange Head, M12x1.75x40
-6	52129238AA	1				EN0			FILTER, Fuel
-7	06505775AA	2				EN0			CLAMP, Hose

LIBERTY (KJ)

SERIES      LINE  
P = LIMITED      J = JEEP - 4WD  
H = SPORT      U = JEEP - 4WD (RHD)  
M = RENEGADE      T = JEEP - 2WD

BODY  
74 = SPORT UTILITY 4-DR

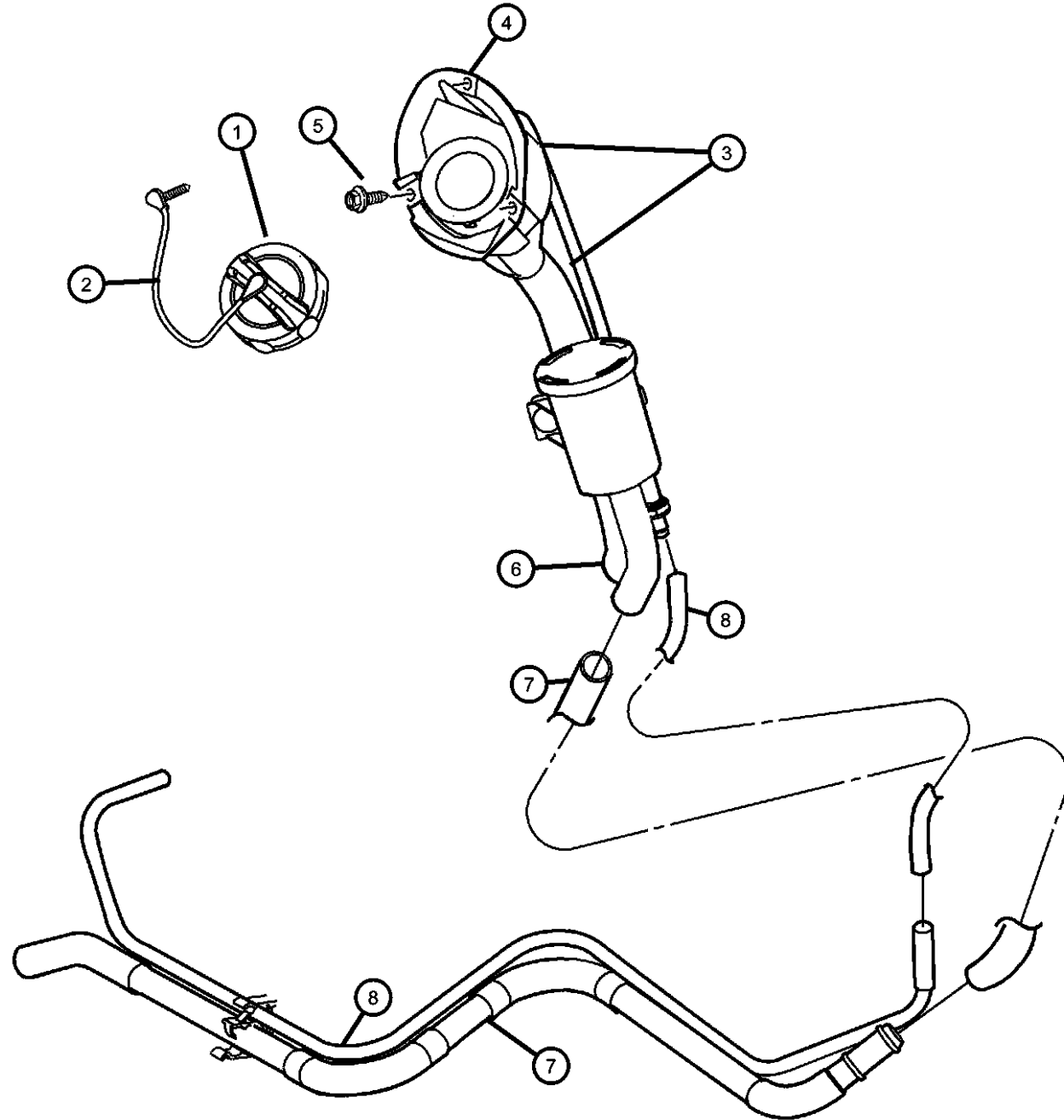
ENGINE  
ED1 = Engine - 2.4L 4 Cyl  
DOHC 16v SMPI  
EK6 = Engine - 3.7L V6  
ENR = Engine - 2.8L 4 Cyl  
Turbo Diesel  
ENO = 4CYL turbo diesel

TRANSMISSION  
DGQ = Transmission-5-Spd Automatic  
5-45RFE  
DG6 = Transmission-4-Spd.  
Automatic, 42RLE  
DEH = Transmission-6-Speed Manual,  
NSG370  
DG0 = Transmissions - All Automatic  
DBB = ALL MANUAL  
TRANSMISSIONS

AR = use ase required - = Non illustrated part

2005 KJ

**Fuel Tank Filler Tube, All Engines**  
**Figure 14-210**



ITEM	PART NUMBER	QTY	LINE	SERIES	BODY	ENGINE	TRANS	TRIM	DESCRIPTION
------	-------------	-----	------	--------	------	--------	-------	------	-------------

Note; Sales Codes  
 [ED0]= All 2.4L, 4 Cylinder Gas Engines  
 [EK0]= All 3.7L 6 Cylinder Gas Engines  
 [EN0]= All 2.5L Turbo Diesels

1									CAP, Fuel Filler
	52102464AC	1				ED0, EK0			
	52129371AA	1				EN0			
2	04682676	1							TETHER, Fuel Filler Cap
3									TUBE, Fuel Filler
	52129234AB	1				ED0, EK0			
	52129235AA	1				EN0			
4	55360619AB	1							SLEEVE, Fuel Filler
5	06035204	3							SCREW, Tapping, .19-16x.75
6									HOSE, Fuel Filler
	52129236AB	1				ED0, EK0			
		1				EN0			
7		1							TUBE, Fuel, Serviced With Fuel Flow Valve, (NOT SERVICED)
8	52128631AC	1				ED0, EK0			TUBE, Vapor
-9	52128645AA	1	J, T, U		74	ED0, EK0			TUBE, Clean Air

<b>LIBERTY (KJ)</b>				
SERIES	LINE	BODY	ENGINE	TRANSMISSION
P = LIMITED	J = JEEP - 4WD	74 = SPORT UTILITY 4-DR	ED1 = Engine - 2.4L 4 Cyl DOHC 16v SMPI	DGQ = Transmission-5-Spd Automatic 5-45RFE
H = SPORT	U = JEEP - 4WD (RHD)		EKG = Engine - 3.7L V6	DG6 = Transmission-4-Spd. Automatic, 42RLE
M = RENEGADE	T = JEEP - 2WD		ENR = Engine - 2.8L 4 Cyl Turbo Diesel	DEH = Transmission-6-Speed Manual, NSG370
			ENO = 4CYL turbo diesel	DG0 = Transmissions - All Automatic
				DBB = ALL MANUAL TRANSMISSIONS

AR = use ase required - = Non illustrated part

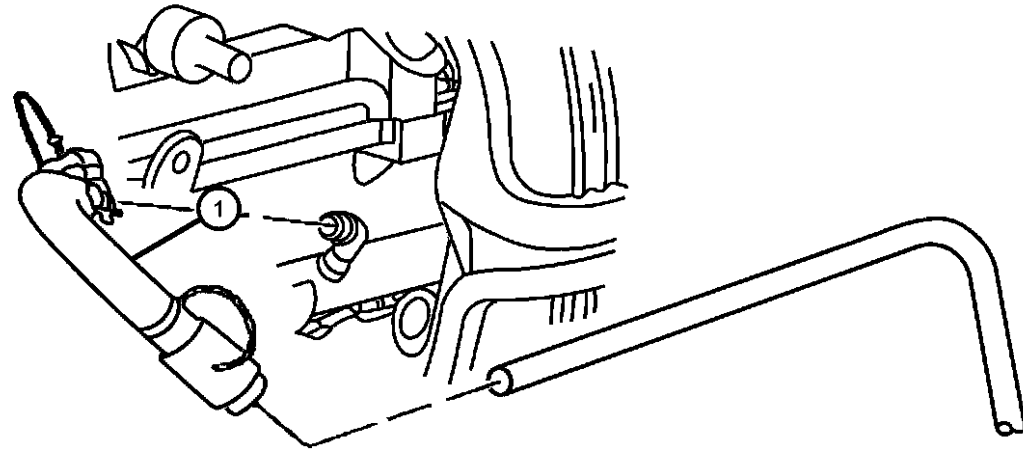


Fuel Lines Front, [2.4L ED0]  
Figure 14-310

ITEM	PART NUMBER	QTY	LINE	SERIES	BODY	ENGINE	TRANS	TRIM	DESCRIPTION
------	-------------	-----	------	--------	------	--------	-------	------	-------------

Note; Sales Codes  
[ED0]= All 2.2L,2.5L,2.4L, 4 Cylinder Gas Engines

1	52100352AC	1				ED0			BUNDLE, Fuel Line
---	------------	---	--	--	--	-----	--	--	-------------------



**LIBERTY (KJ)**

SERIES      LINE  
P = LIMITED    J = JEEP - 4WD  
H = SPORT      U = JEEP - 4WD (RHD)  
M = RENEGADE   T = JEEP - 2WD

BODY  
74 = SPORT UTILITY 4-DR

ENGINE  
ED1 = Engine - 2.4L 4 Cyl  
DOHC 16v SMPI  
EKG = Engine - 3.7L V6  
ENR = Engine - 2.8L 4 Cyl  
Turbo Diesel  
ENO = 4CYL turbo diesel

TRANSMISSION  
DGQ = Transmission-5-Spd Automatic  
5-45RFE  
DG6 = Transmission-4-Spd.  
Automatic, 42RLE  
DEH = Transmission-6-Speed Manual,  
NSG370  
DG0 = Transmissions - All Automatic  
DBB = ALL MANUAL  
TRANSMISSIONS

AR = use ase required - = Non illustrated part

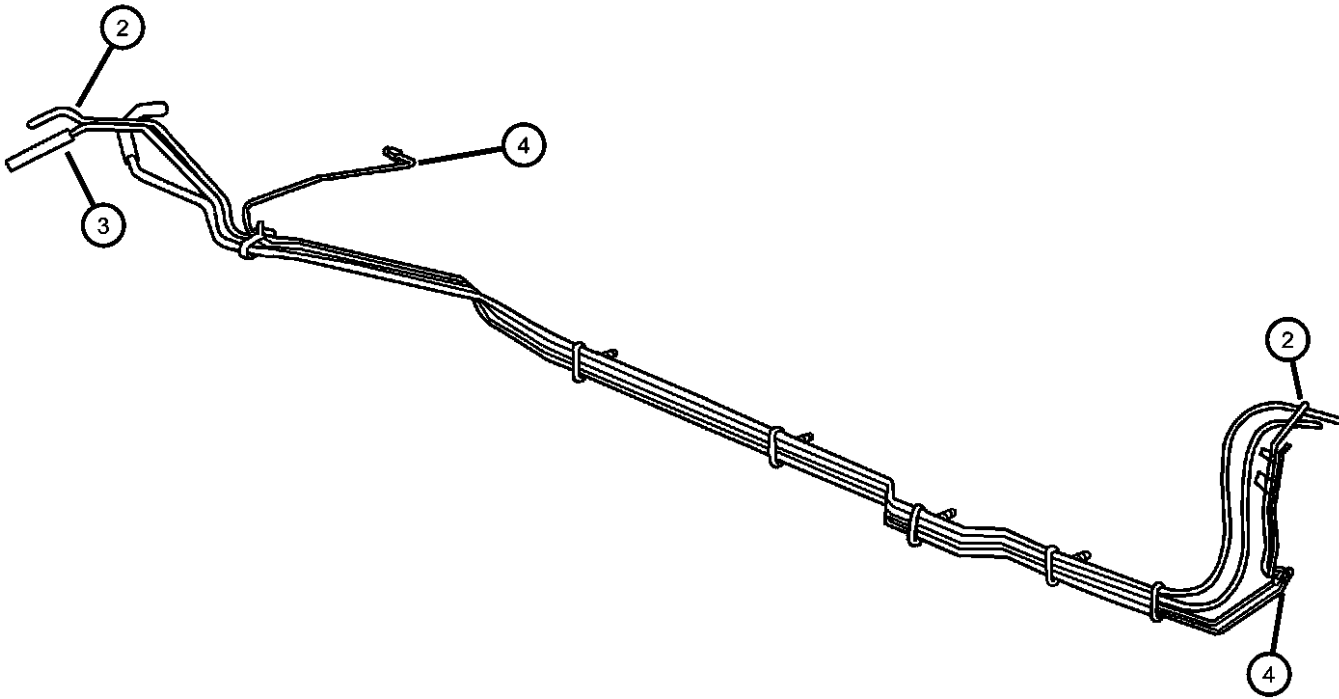
2005 KJ

Fuel Lines Rear, [2.4L ED0]  
Figure 14-315

ITEM	PART NUMBER	QTY	LINE	SERIES	BODY	ENGINE	TRANS	TRIM	DESCRIPTION
------	-------------	-----	------	--------	------	--------	-------	------	-------------

Note; Sales Codes =[ED0]= All 2.2 l,2.5L, 2.4L, 4 Cylinde Gas Engines

-1	52128969AE	1				ED0, EK0			BUNDLE, Fuel and Brake Tube
2	52128976AC	1				ED0, EK0			TUBE, Fuel Supply from Pump
3	52128637AC	1				ED0, EK0			TUBE, Fuel Vapor
4	52128637AC	1							TUBE, Brake, See Brake Group, (NOT SERVICED)



LIBERTY (KJ)

SERIES      LINE  
P = LIMITED      J = JEEP - 4WD  
H = SPORT      U = JEEP - 4WD (RHD)  
M = RENEGADE      T = JEEP - 2WD

BODY  
74 = SPORT UTILITY 4-DR

ENGINE  
ED1 = Engine - 2.4L 4 Cyl  
DOHC 16v SMPI  
EKG = Engine - 3.7L V6  
ENR = Engine - 2.8L 4 Cyl  
Turbo Diesel  
ENO = 4CYL turbo diesel

TRANSMISSION  
DGQ = Transmission-5-Spd Automatic  
5-45RFE  
DG6 = Transmission-4-Spd.  
Automatic, 42RLE  
DEH = Transmission-6-Speed Manual,  
NSG370  
DG0 = Transmissions - All Automatic  
DBB = ALL MANUAL  
TRANSMISSIONS

AR = use ase required - = Non illustrated part

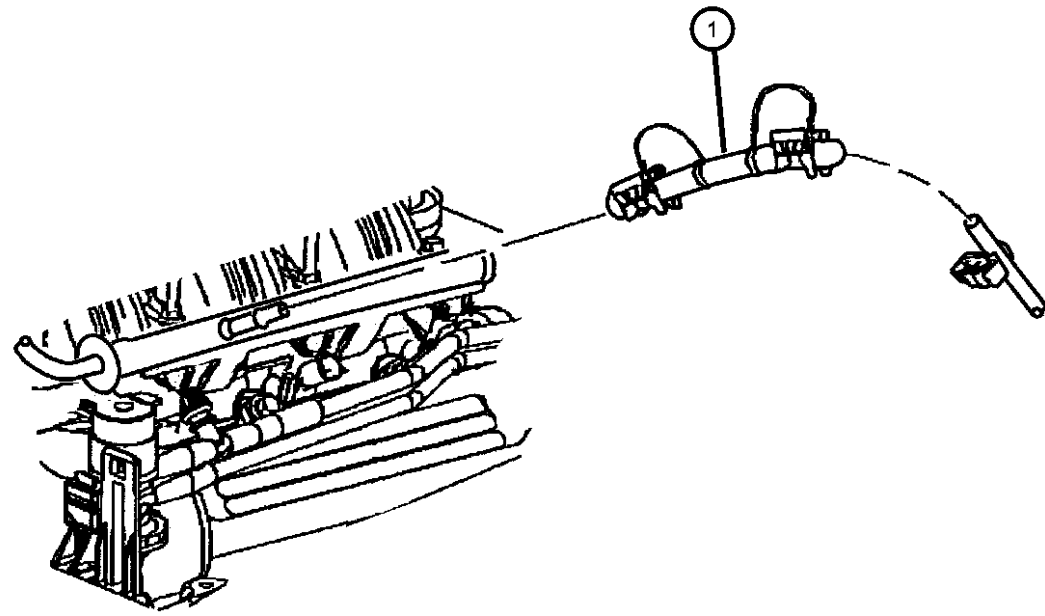
2005 KJ

Fuel Lines Front,[ 3.7L EK0]  
Figure 14-320

ITEM	PART NUMBER	QTY	LINE	SERIES	BODY	ENGINE	TRANS	TRIM	DESCRIPTION
------	-------------	-----	------	--------	------	--------	-------	------	-------------

Note; Sales Codes  
[EK0]= All 3.7L 6 Cylinder Gas Engines

1	52100320AC	1				EK0			BUNDLE, Fuel Line
---	------------	---	--	--	--	-----	--	--	-------------------



LIBERTY (KJ)

SERIES      LINE  
P = LIMITED      J = JEEP - 4WD  
H = SPORT      U = JEEP - 4WD (RHD)  
M = RENEGADE      T = JEEP - 2WD

BODY  
74 = SPORT UTILITY 4-DR

ENGINE  
ED1 = Engine - 2.4L 4 Cyl  
DOHC 16v SMPI  
EKG = Engine - 3.7L V6  
ENR = Engine - 2.8L 4 Cyl  
Turbo Diesel  
ENO = 4CYL turbo diesel

TRANSMISSION  
DGQ = Transmission-5-Spd Automatic  
5-45RFE  
DG6 = Transmission-4-Spd.  
Automatic, 42RLE  
DEH = Transmission-6-Speed Manual,  
NSG370  
DG0 = Transmissions - All Automatic  
DBB = ALL MANUAL  
TRANSMISSIONS

AR = use ase required - = Non illustrated part

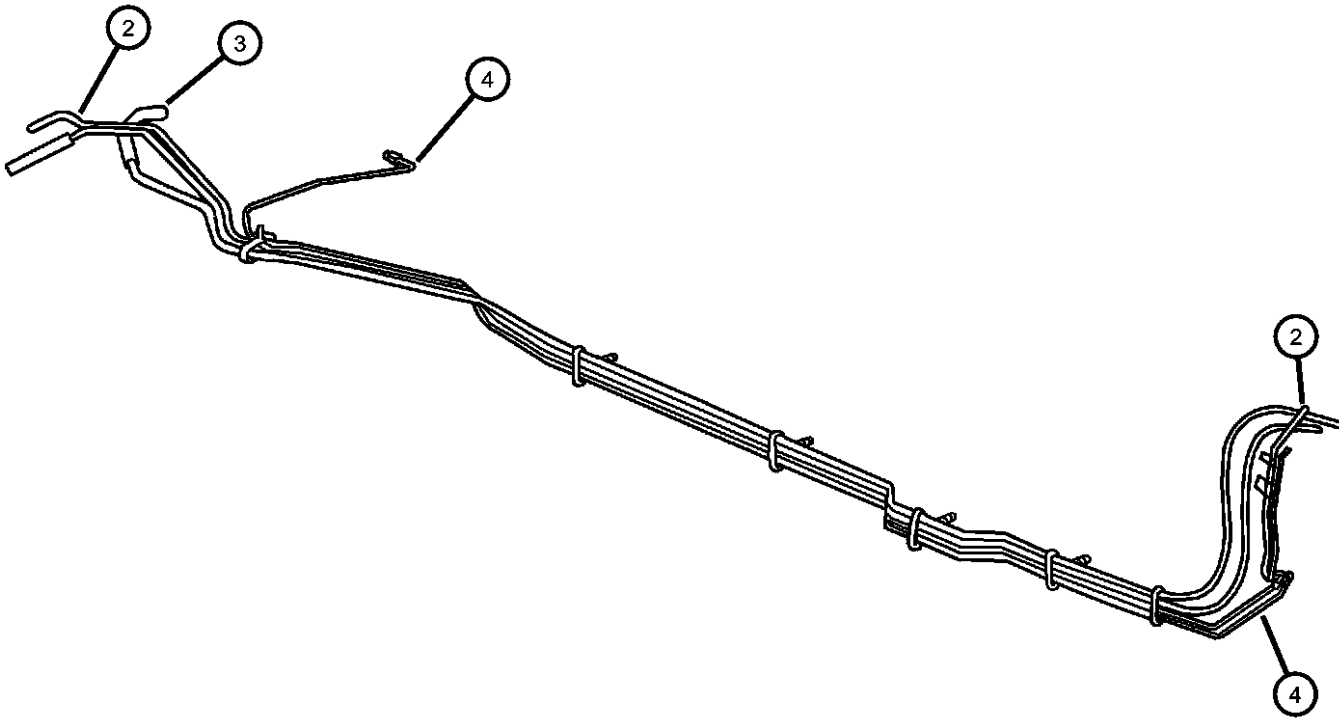
2005 KJ

Fuel Lines Rear, [3.7L EK0]  
Figure 14-325

ITEM	PART NUMBER	QTY	LINE	SERIES	BODY	ENGINE	TRANS	TRIM	DESCRIPTION
------	-------------	-----	------	--------	------	--------	-------	------	-------------

Note; Sales Codes =[EK0]= All 3.7L 6 Cylinder Gas Engines

-1	52128969AE	1				ED0, EK0			BUNDLE, Fuel and Brake Tube
2	52128976AC	1				ED0, EK0			TUBE, Fuel Supply from Pump
3	52128637AC	1				ED0, EK0			TUBE, Fuel Vapor
4	52128637AC	1							TUBE, Brake, See Brake Group, (NOT SERVICED)



LIBERTY (KJ)

SERIES      LINE  
P = LIMITED      J = JEEP - 4WD  
H = SPORT      U = JEEP - 4WD (RHD)  
M = RENEGADE      T = JEEP - 2WD

BODY  
74 = SPORT UTILITY 4-DR

ENGINE  
ED1 = Engine - 2.4L 4 Cyl  
DOHC 16v SMPI  
EKG = Engine - 3.7L V6  
ENR = Engine - 2.8L 4 Cyl  
Turbo Diesel  
ENO = 4CYL turbo diesel

TRANSMISSION  
DGQ = Transmission-5-Spd Automatic  
5-45RFE  
DG6 = Transmission-4-Spd.  
Automatic, 42RLE  
DEH = Transmission-6-Speed Manual,  
NSG370  
DG0 = Transmissions - All Automatic  
DBB = ALL MANUAL  
TRANSMISSIONS

AR = use ase required - = Non illustrated part

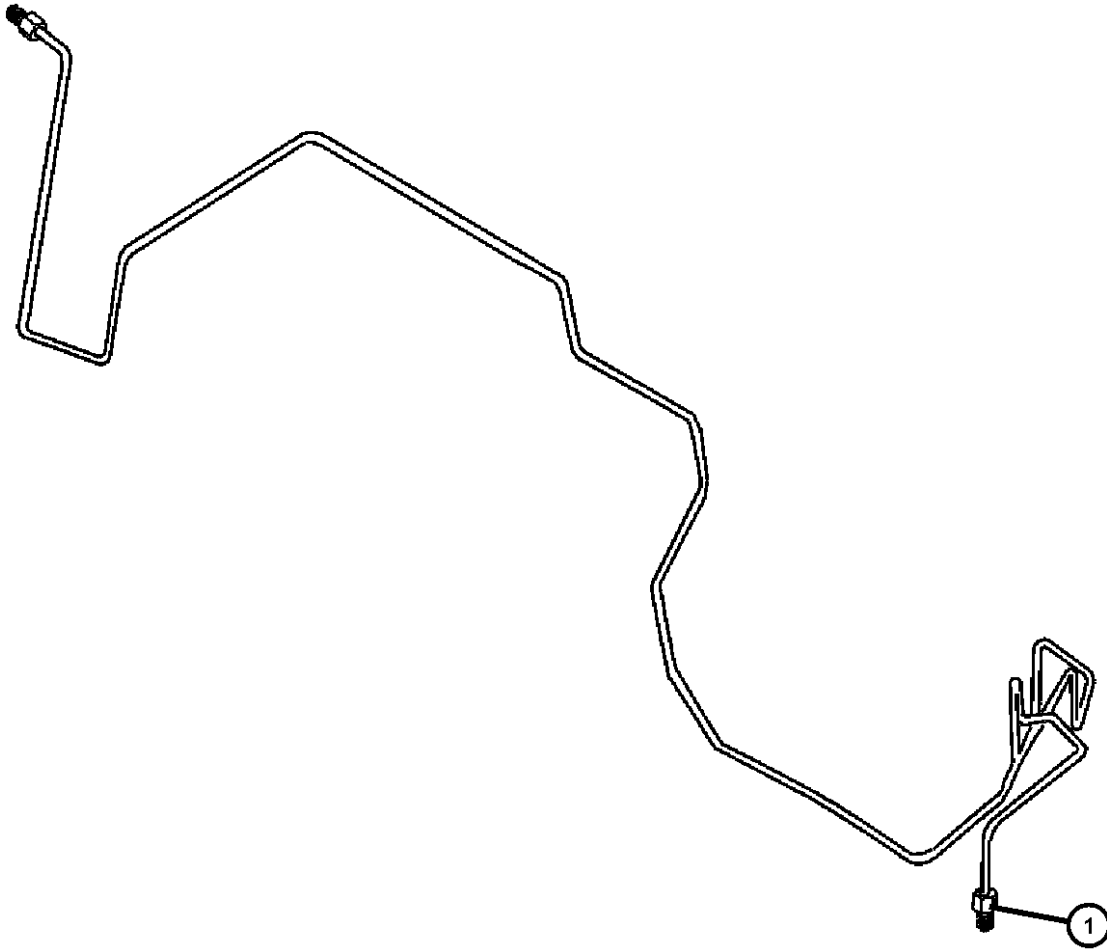
2005 KJ

Fuel Lines Chassis [2.8L EN0]  
Figure 14-330

ITEM	PART NUMBER	QTY	LINE	SERIES	BODY	ENGINE	TRANS	TRIM	DESCRIPTION
------	-------------	-----	------	--------	------	--------	-------	------	-------------

Note; Sales Codes  
[DBB]= All Manual Transmissions  
[EN0]= All 4/5 Cylinder Turbo Diesels

1	52128971AE	1				EN0			BUNDLE, Fuel and Brake Tube
-2	52128960AD	1				EN0			TUBE, Fuel Supply from Pump
-3	52128961AD	1				EN0			TUBE, Fuel Return



LIBERTY (KJ)

SERIES      LINE  
P = LIMITED      J = JEEP - 4WD  
H = SPORT      U = JEEP - 4WD (RHD)  
M = RENEGADE      T = JEEP - 2WD

BODY  
74 = SPORT UTILITY 4-DR

ENGINE  
ED1 = Engine - 2.4L 4 Cyl  
DOHC 16v SMPI  
EKG = Engine - 3.7L V6  
ENR = Engine - 2.8L 4 Cyl  
Turbo Diesel  
ENO = 4CYL turbo diesel

TRANSMISSION  
DGQ = Transmission-5-Spd Automatic  
5-45RFE  
DG6 = Transmission-4-Spd.  
Automatic, 42RLE  
DEH = Transmission-6-Speed Manual,  
NSG370  
DG0 = Transmissions - All Automatic  
DBB = ALL MANUAL  
TRANSMISSIONS

AR = use ase required - = Non illustrated part

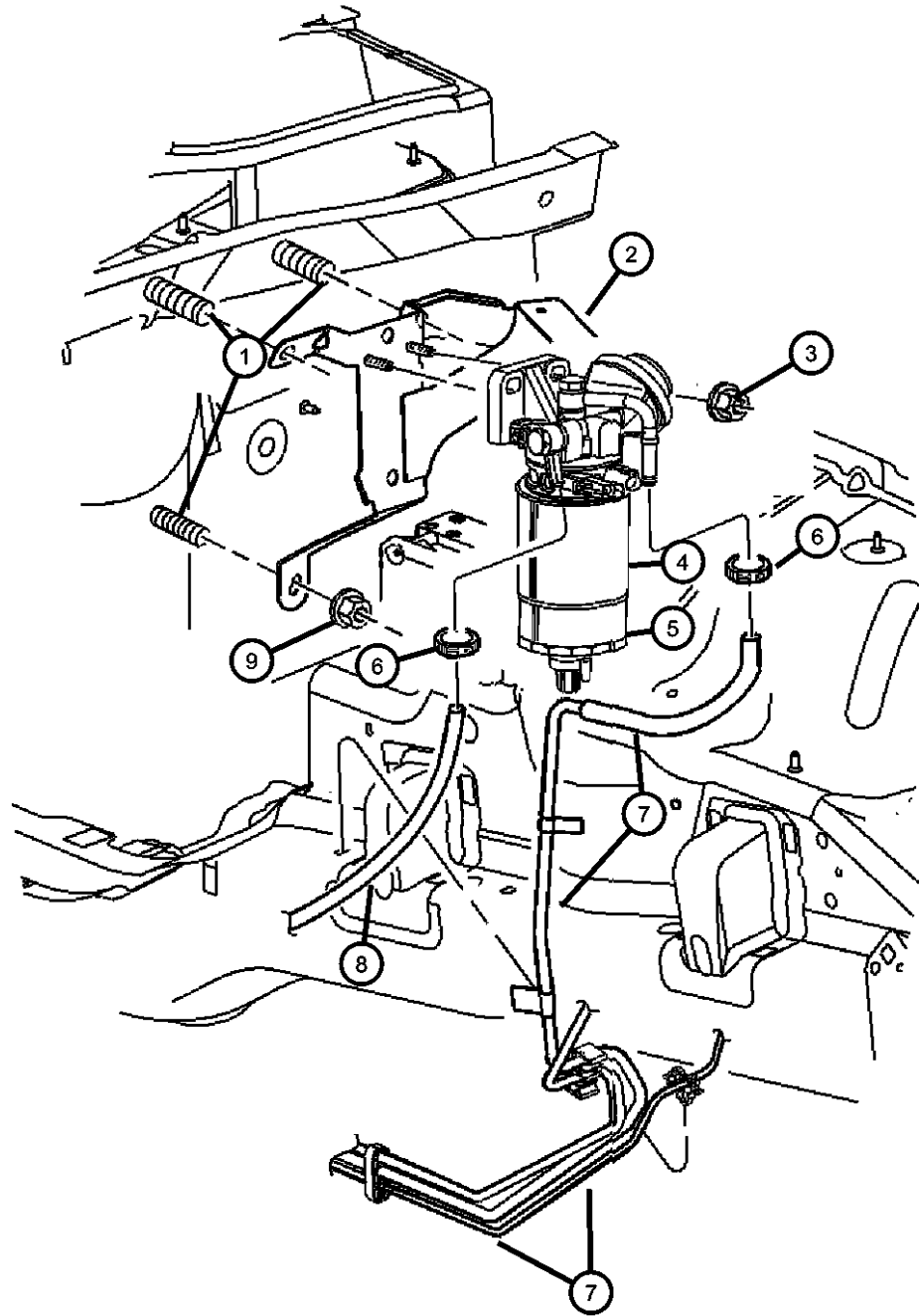
2005 KJ

**Fuel Filter And Water Separator, [2.8L EN0]  
Figure 14-340**

ITEM	PART NUMBER	QTY	LINE	SERIES	BODY	ENGINE	TRANS	TRIM	DESCRIPTION
------	-------------	-----	------	--------	------	--------	-------	------	-------------

Note; Sales Codes  
[EN0]= All 4/5 Cylinder Turbo Diesels

1	52128961AD	1							STUD, (NOT SERVICED)
2	52128947AB	1				EN0			BRACKET, Fuel Filter
3	06502756	2				EN0			NUT, Hex Lock, M8x1.25
4	52129237AA	1				EN0			FILTER, Fuel/Water Separator
5	52129238AA	1				EN0			FILTER, Fuel
6	06505775AA	2				EN0			CLAMP, Hose
7	06505775AA	2							BUNDLE, Fuel Line, Service with Fuel Bundle, (NOT REQUIRED)
8	52129229AB	1				EN0			HOSE, Fuel
9	52129229AB	1							NUT, (NOT SERVICED)



**LIBERTY (KJ)**

SERIES      LINE  
P = LIMITED    J = JEEP - 4WD  
H = SPORT      U = JEEP - 4WD (RHD)  
M = RENEGADE   T = JEEP - 2WD

BODY  
74 = SPORT UTILITY 4-DR

ENGINE  
ED1 = Engine - 2.4L 4 Cyl DOHC 16v SMPI  
EKG = Engine - 3.7L V6  
ENR = Engine - 2.8L 4 Cyl Turbo Diesel  
ENO = 4CYL turbo diesel

TRANSMISSION  
DGQ = Transmission-5-Spd Automatic 5-45RFE  
DG6 = Transmission-4-Spd. Automatic, 42RLE  
DEH = Transmission-6-Speed Manual, NSG370  
DG0 = Transmissions - All Automatic  
DBB = ALL MANUAL TRANSMISSIONS

AR = use ase required - = Non illustrated part

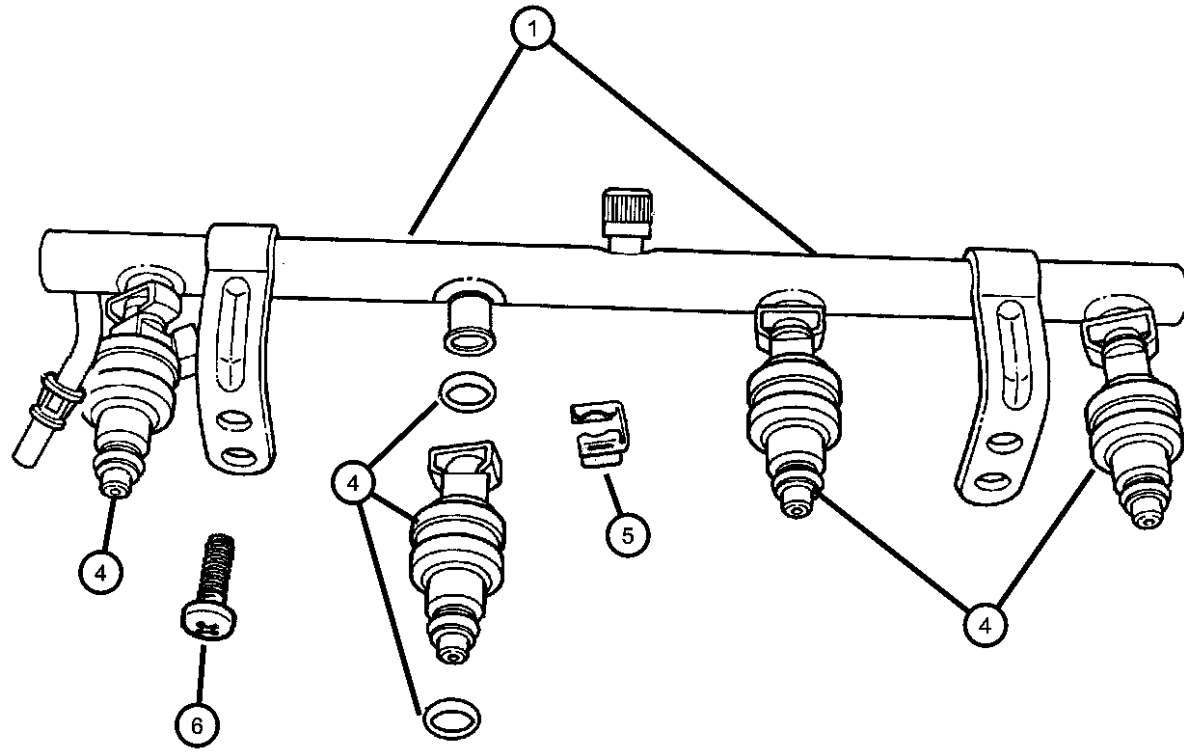
2005 KJ

Fuel Rail, [2.4L ED1]  
Figure 14-410

ITEM	PART NUMBER	QTY	LINE	SERIES	BODY	ENGINE	TRANS	TRIM	DESCRIPTION
------	-------------	-----	------	--------	------	--------	-------	------	-------------

Note: Sales Codes  
[ED0]= All 2.2L, 2.5L, 2.4L, 4 Cylinder Gas Engines

1	05135582AA	1				ED0			RAIL, Fuel
-2	05135582AA	1							REGULATOR, Fuel Pressure, Serviced With Fuel Rail, (NOT SERVICED)
-3	05135582AA	1							FASTENER, Serviced With Fuel Rail, (NOT SERVICED)
4	53013656AA	4				ED0			INJECTOR, Fuel
5	53013504AB	4				ED0			CLIP, Fuel Injector
6	06101506	2				ED0			BOLT AND CONED WASHER, M8x1.25x18



LIBERTY (KJ)

SERIES      LINE  
P = LIMITED    J = JEEP - 4WD  
H = SPORT      U = JEEP - 4WD (RHD)  
M = RENEGADE   T = JEEP - 2WD

BODY  
74 = SPORT UTILITY 4-DR

ENGINE  
ED1 = Engine - 2.4L 4 Cyl  
DOHC 16v SMPI  
EKG = Engine - 3.7L V6  
ENR = Engine - 2.8L 4 Cyl  
Turbo Diesel  
ENO = 4CYL turbo diesel

TRANSMISSION  
DGQ = Transmission-5-Spd Automatic  
5-45RFE  
DG6 = Transmission-4-Spd.  
Automatic, 42RLE  
DEH = Transmission-6-Speed Manual,  
NSG370  
DG0 = Transmissions - All Automatic  
DBB = ALL MANUAL  
TRANSMISSIONS

AR = use ase required - = Non illustrated part

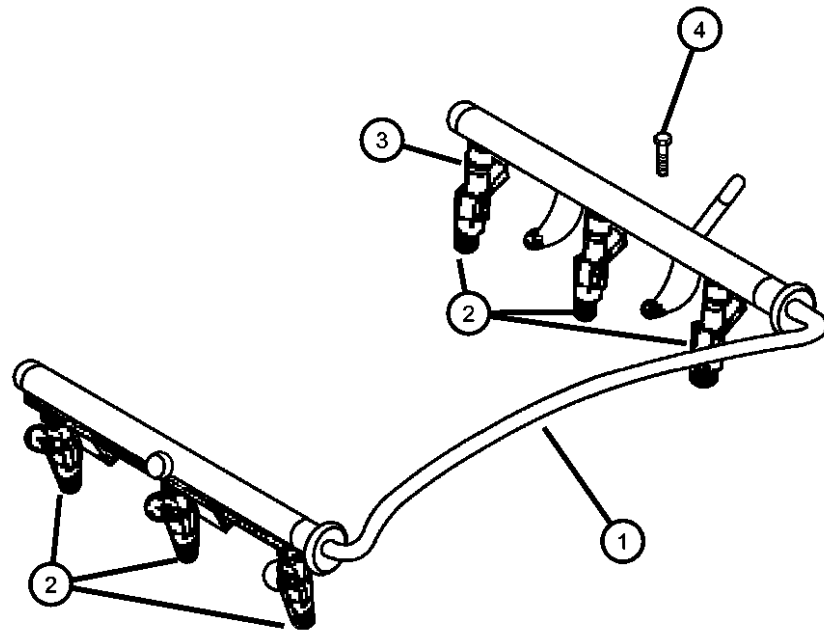
2005 KJ

Fuel Rail, [3.7L EKG]  
Figure 14-415

ITEM	PART NUMBER	QTY	LINE	SERIES	BODY	ENGINE	TRANS	TRIM	DESCRIPTION
------	-------------	-----	------	--------	------	--------	-------	------	-------------

Note; Sales Codes  
[EK0]= All 3.7L 6 Cylinder Gas Engines

1	53031102AB	1				EK0			RAIL, Fuel
2	53032701AA 68000881AA	6				EK0			INJECTOR, Fuel Wholesale Bulk Injector Package - 70 pieces of 53032701AA
3	04418257AB	6				EK0			CLIP, Fuel Injector
4	06505504AA	4				EK0			SCREW



LIBERTY (KJ)

SERIES      LINE  
P = LIMITED      J = JEEP - 4WD  
H = SPORT      U = JEEP - 4WD (RHD)  
M = RENEGADE      T = JEEP - 2WD

BODY  
74 = SPORT UTILITY 4-DR

ENGINE  
ED1 = Engine - 2.4L 4 Cyl  
DOHC 16v SMPI  
EKG = Engine - 3.7L V6  
ENR = Engine - 2.8L 4 Cyl  
Turbo Diesel  
ENO = 4CYL turbo diesel

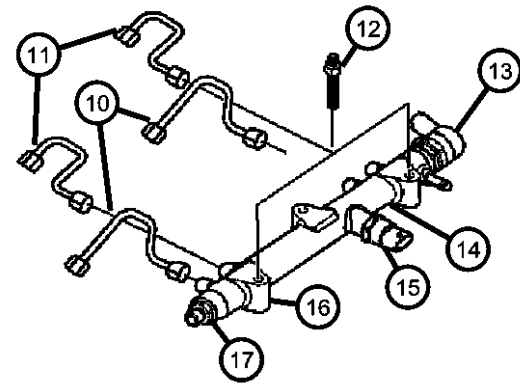
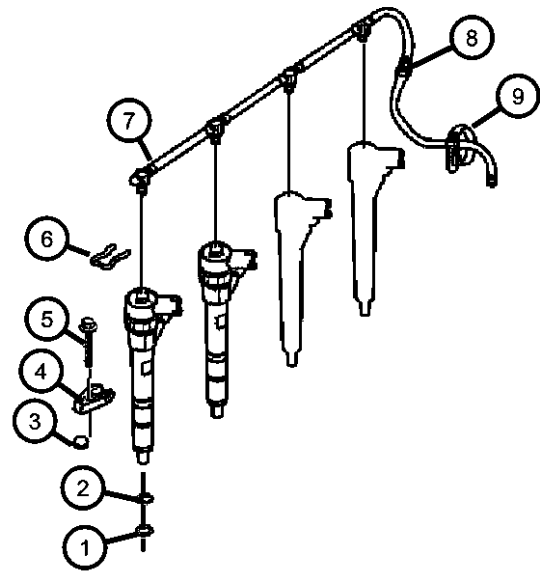
TRANSMISSION  
DGQ = Transmission-5-Spd Automatic  
5-45RFE  
DG6 = Transmission-4-Spd.  
Automatic, 42RLE  
DEH = Transmission-6-Speed Manual,  
NSG370  
DG0 = Transmissions - All Automatic  
DBB = ALL MANUAL  
TRANSMISSIONS

AR = use ase required - = Non illustrated part

2005 KJ



**Fuel Injection System [2.8L EN0]  
Figure 14-420**



ITEM	PART NUMBER	QTY	LINE	SERIES	BODY	ENGINE	TRANS	TRIM	DESCRIPTION
1	05069135AB	4				EN0	DBB		O RING
		4				EN0	DG0		
2	05072722AA	4				EN0	DBB		O RING, Fuel Injector
		1				EN0	DG0		
3	05093922AA	4				EN0	DBB		PLATE
		4				EN0	DG0		
4	05142793AA	4				EN0	DBB		CLAMP
		4				EN0	DG0		
5	05066962AA	1				EN0	DG0		SCREW
		1				EN0	DBB		
6	05083712AA	4				EN0	DBB		CLIP, Fuel Injector
		1				EN0	DG0		
7	05093923AA	1				EN0	DBB		PIPE, Fuel Spill Return
		1				EN0	DG0		
8	05083711AA	1				EN0	DBB		VALVE
		1				EN0	DG0		
9	04728184	1				EN0	DBB		CLIP, Spill Return Pipe
		1				EN0	DG0		
10	05142768AA	1				EN0	DG0		PIPE, Fuel
		1				EN0	DBB		
11	05142605AA	2				EN0	DBB		PIPE, Fuel

**LIBERTY (KJ)**

SERIES      LINE  
P = LIMITED      J = JEEP - 4WD  
H = SPORT      U = JEEP - 4WD (RHD)  
M = RENEGADE      T = JEEP - 2WD

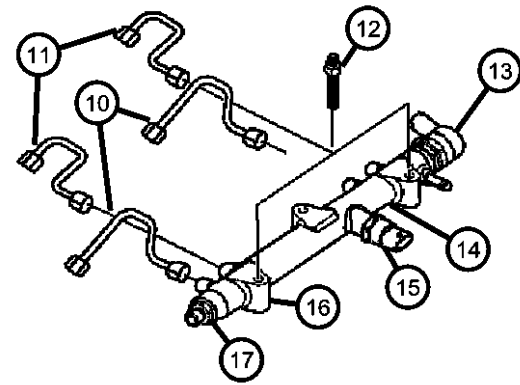
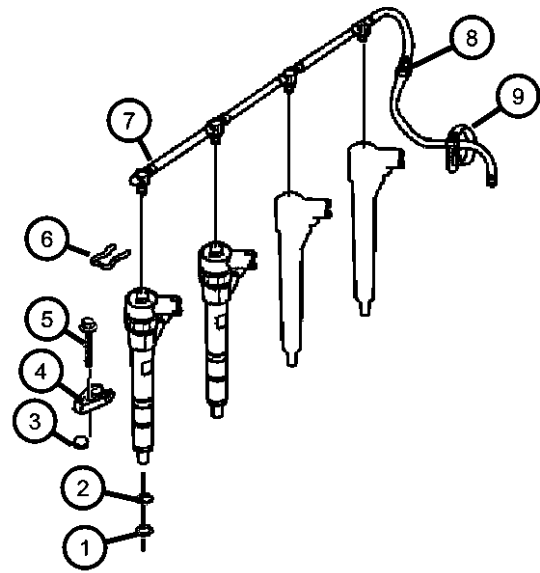
BODY  
74 = SPORT UTILITY 4-DR

ENGINE  
ED1 = Engine - 2.4L 4 Cyl  
DOHC 16v SMPI  
EKG = Engine - 3.7L V6  
ENR = Engine - 2.8L 4 Cyl  
Turbo Diesel  
ENO = 4CYL turbo diesel

TRANSMISSION  
DGQ = Transmission-5-Spd Automatic  
5-45RFE  
DG6 = Transmission-4-Spd.  
Automatic, 42RLE  
DEH = Transmission-6-Speed Manual,  
NSG370  
DG0 = Transmissions - All Automatic  
DBB = ALL MANUAL  
TRANSMISSIONS

AR = use ase required - = Non illustrated part

**Fuel Injection System [2.8L EN0]  
Figure 14-420**



ITEM	PART NUMBER	QTY	LINE	SERIES	BODY	ENGINE	TRANS	TRIM	DESCRIPTION
		2				EN0	DG0		
12	05066913AA	1				EN0	DBB		STUD
13									SOLENOID, Fuel Pressure
	05159964AA	1				EN0	DBB		
		1				EN0	DG0		
14									RAIL, Fuel
	05142817AA	1				EN0	DG0		
		1				EN0	DBB		
15									SENSOR, Fuel Pressure
	05159963AA	1				EN0	DBB		
		1				EN0	DG0		
16									SPRING, Oil Pressure Relief Valve
	05093915AA	1				EN0	DBB		
		1				EN0	DG0		
17									O RING
	05066887AA	1				EN0	DBB		
		1				EN0	DG0		
-18									INJECTOR, Fuel
	05142811AA	4				EN0	DG0		
		4				EN0	DBB		
	05159970AA	4				EN0	DG0		CANADA &USA

**LIBERTY (KJ)**

SERIES      LINE  
P = LIMITED      J = JEEP - 4WD  
H = SPORT      U = JEEP - 4WD (RHD)  
M = RENEGADE      T = JEEP - 2WD

BODY  
74 = SPORT UTILITY 4-DR

ENGINE  
ED1 = Engine - 2.4L 4 Cyl  
DOHC 16v SMPI  
EKG = Engine - 3.7L V6  
ENR = Engine - 2.8L 4 Cyl  
Turbo Diesel  
ENO = 4CYL turbo diesel

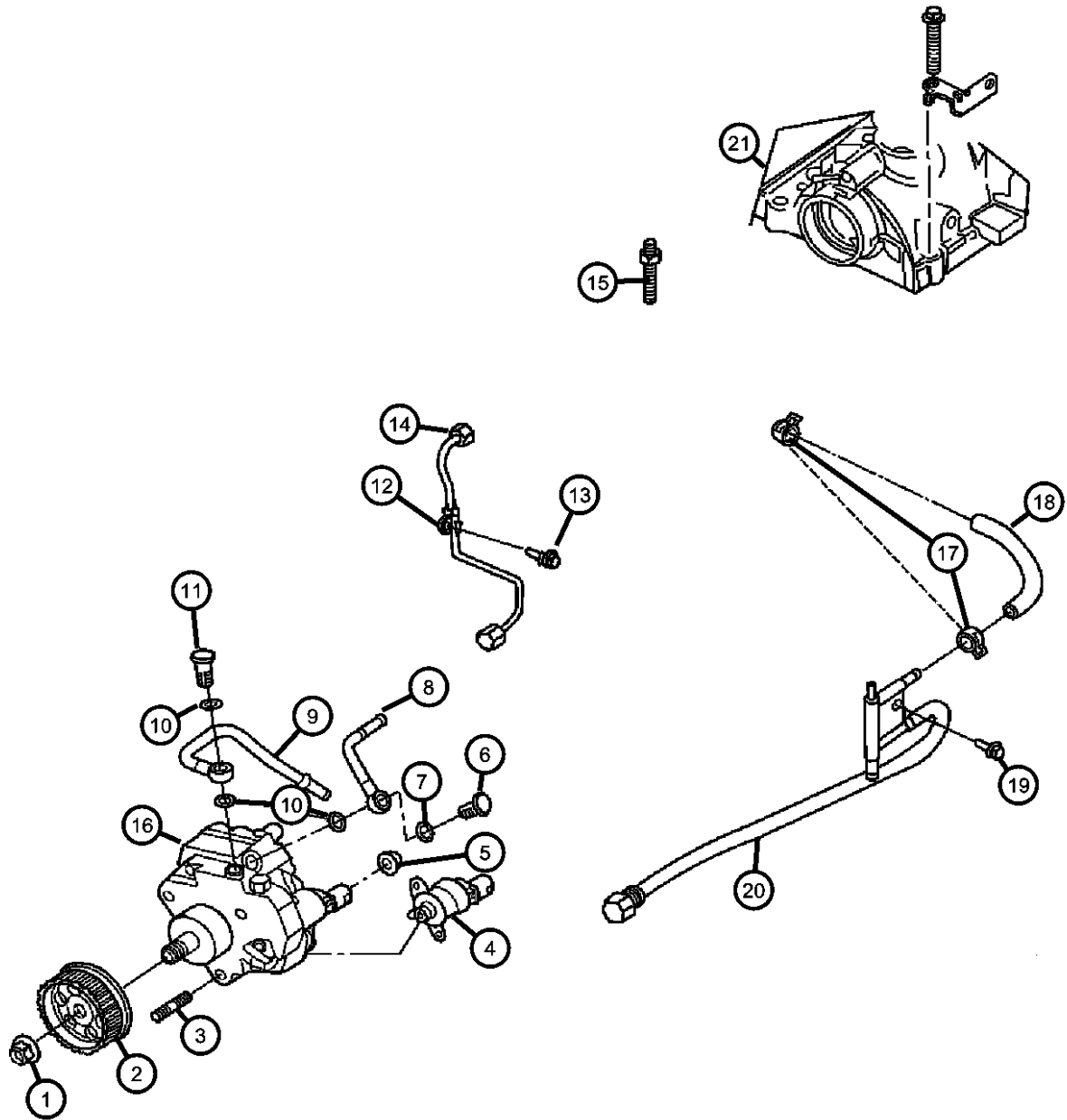
TRANSMISSION  
DGQ = Transmission-5-Spd Automatic  
5-45RFE  
DG6 = Transmission-4-Spd.  
Automatic, 42RLE  
DEH = Transmission-6-Speed Manual,  
NSG370  
DG0 = Transmissions - All Automatic  
DBB = ALL MANUAL  
TRANSMISSIONS

AR = use ase required - = Non illustrated part

2005 KJ

Fuel Injection Pump [2.8L EN0]  
Figure 14-430

ITEM	PART NUMBER	QTY	LINE	SERIES	BODY	ENGINE	TRANS	TRIM	DESCRIPTION
Note; Sales Codes [DBB] = All Manual Transmissions [EN0]= All 4/5 Cylinder Turbo Diesels									
1									NUT
	05066817AA	1				EN0	DBB		
		1				EN0	DG0		
2									GEAR, Injection Pump
	05066903AA	1				EN0	DBB		
		1				EN0	DG0		
3									STUD, Injection Pump
	05066908AA	1				EN0	DG0		
		1				EN0	DBB		
4									VALVE
	05159962AA	1				EN0	DG0		
		1				EN0	DBB		
5									NUT
	04778961	7				EN0	DBB		
		1				EN0	DG0		
6									BOLT, Banjo
	04720367	1				EN0	DG0		
		1				EN0	DBB		
7									WASHER, Plain
	04720703	4				EN0	DBB		
		4				EN0	DG0		
8									PIPE
	05142987AA	1				EN0	DG0		
		1				EN0	DBB		
9									PIPE, Fuel
	05142814AA	1				EN0	DBB		
		1				EN0	DG0		
10									WASHER, Plain
	04720703	4				EN0	DBB		
		4				EN0	DG0		



LIBERTY (KJ)

SERIES LINE  
P = LIMITED J = JEEP - 4WD  
H = SPORT U = JEEP - 4WD (RHD)  
M = RENEGADE T = JEEP - 2WD

BODY  
74 = SPORT UTILITY 4-DR

ENGINE  
ED1 = Engine - 2.4L 4 Cyl  
DOHC 16v SMPI  
EKG = Engine - 3.7L V6  
ENR = Engine - 2.8L 4 Cyl  
Turbo Diesel  
ENO = 4CYL turbo diesel

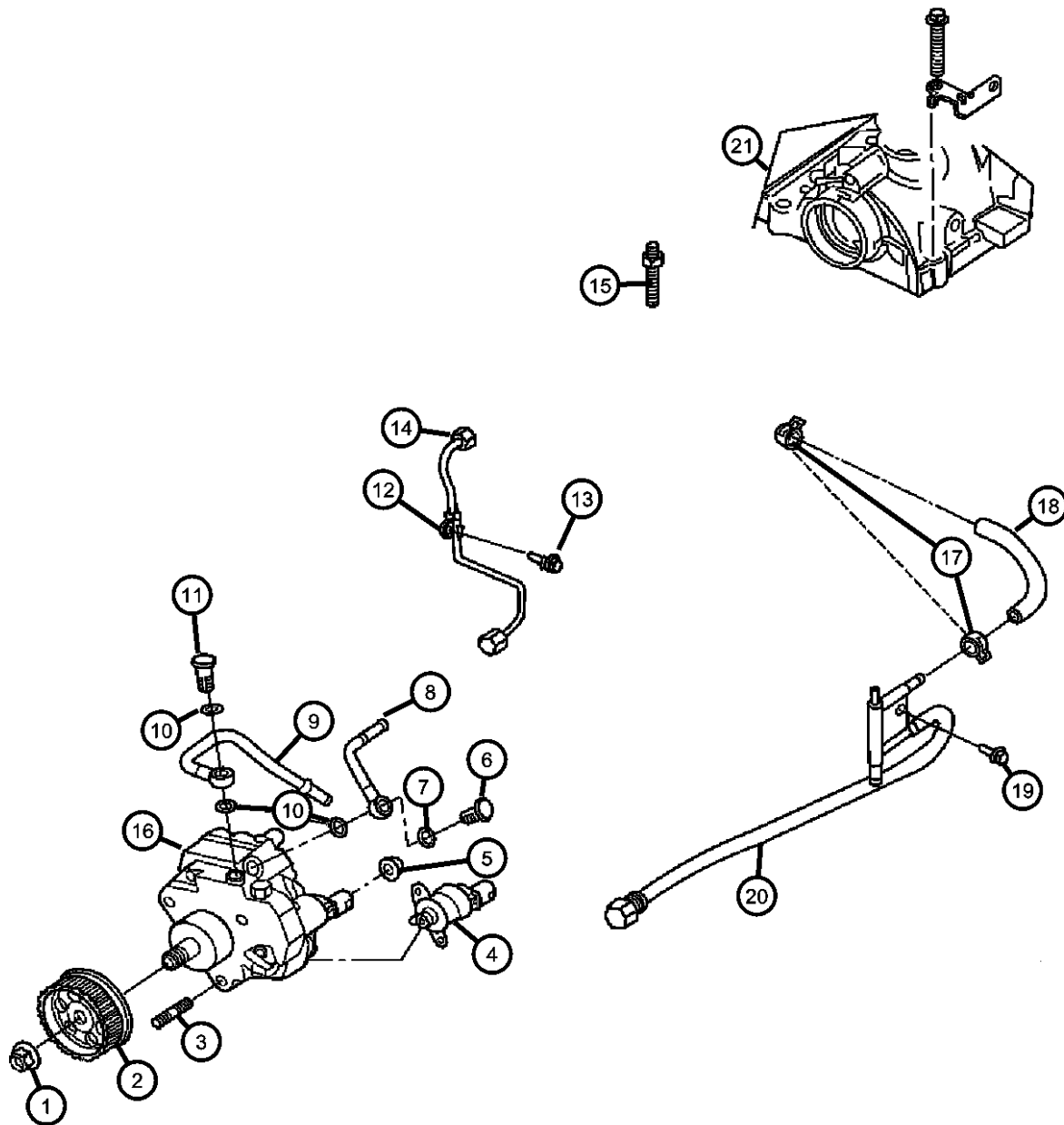
TRANSMISSION  
DGQ = Transmission-5-Spd Automatic  
5-45RFE  
DG6 = Transmission-4-Spd.  
Automatic, 42RLE  
DEH = Transmission-6-Speed Manual,  
NSG370  
DG0 = Transmissions - All Automatic  
DBB = ALL MANUAL  
TRANSMISSIONS

AR = use ase required - = Non illustrated part

2005 KJ

Fuel Injection Pump [2.8L EN0]  
Figure 14-430

ITEM	PART NUMBER	QTY	LINE	SERIES	BODY	ENGINE	TRANS	TRIM	DESCRIPTION
11									BOLT, Banjo
	04720367	1				EN0	DG0		
		1				EN0	DBB		
12									CLIP
	05142800AA	1				EN0	DBB		
		1				EN0	DG0		
13									BOLT
	04864748AB	1				EN0	DG0		
		1				EN0	DBB		
14									PIPE
	05142769AA	1				EN0	DBB		
		1				EN0	DG0		
15	05066913AA	3				EN0	DBB		STUD
16									PUMP, Fuel Injection
	05159975AA	1				EN0	DBB		Export
		1				EN0	DG0		Export
	05166083AA	1				EN0	DG0		
17									CLAMP, Heater Hose
	04886051AA	2				EN0	DBB		
		2				EN0	DG0		
18									HOSE, Fuel
	05142789AA	1				EN0	DBB		
		1				EN0	DG0		
19									SCREW
	05066944AB	1				EN0	DG0		
		1				EN0	DBB		
20									BLOCK, Fuel Return
	05142809AA	1				EN0	DBB		
		1				EN0	DG0		
21									BRACKET



LIBERTY (KJ)

SERIES      LINE  
P = LIMITED      J = JEEP - 4WD  
H = SPORT      U = JEEP - 4WD (RHD)  
M = RENEGADE      T = JEEP - 2WD

BODY  
74 = SPORT UTILITY 4-DR

ENGINE  
ED1 = Engine - 2.4L 4 Cyl  
DOHC 16v SMPI  
EKG = Engine - 3.7L V6  
ENR = Engine - 2.8L 4 Cyl  
Turbo Diesel  
ENO = 4CYL turbo diesel

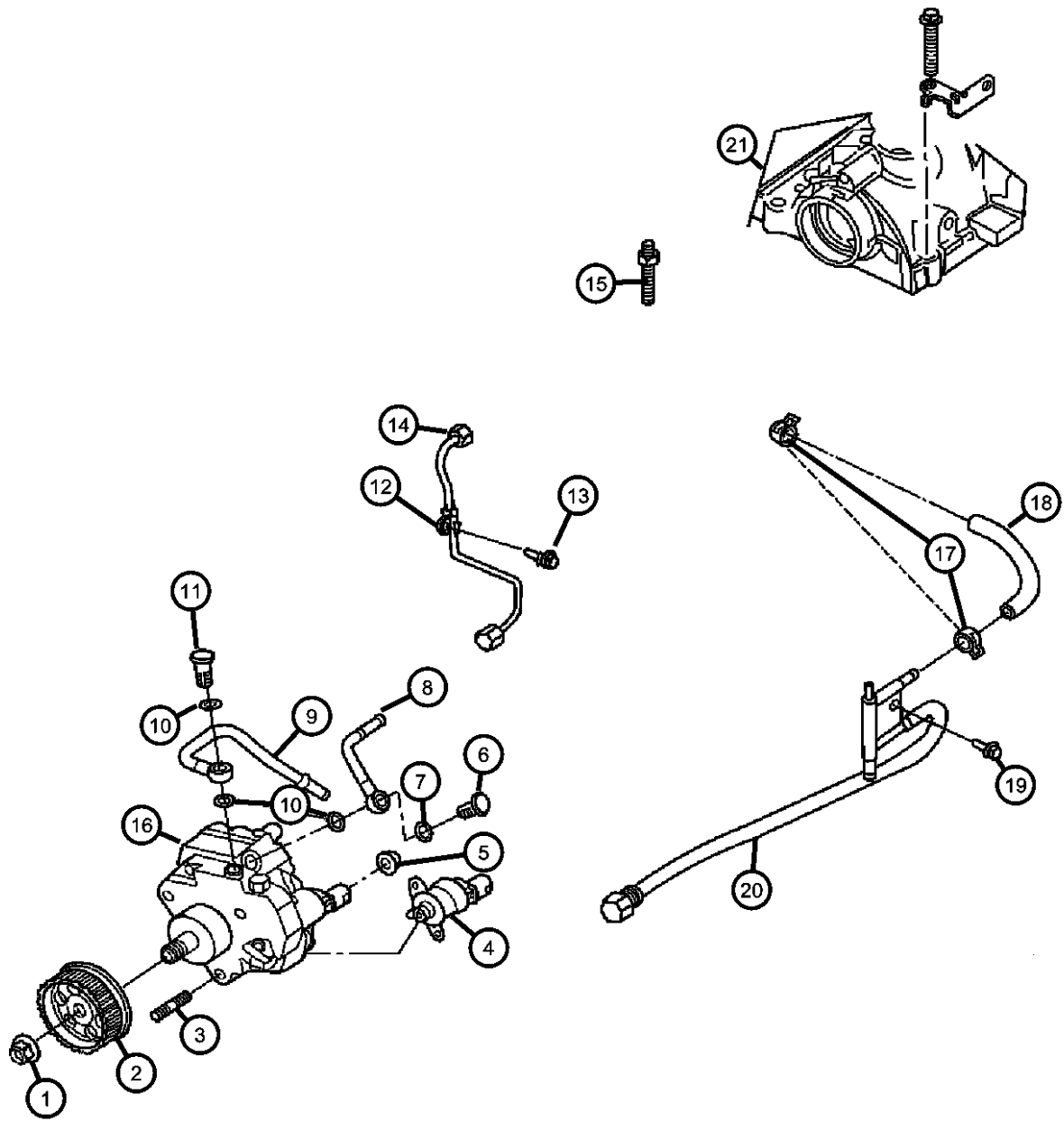
TRANSMISSION  
DGQ = Transmission-5-Spd Automatic  
5-45RFE  
DG6 = Transmission-4-Spd.  
Automatic, 42RLE  
DEH = Transmission-6-Speed Manual,  
NSG370  
DG0 = Transmissions - All Automatic  
DBB = ALL MANUAL  
TRANSMISSIONS

AR = use ase required - = Non illustrated part

Fuel Injection Pump [2.8L EN0]  
Figure 14-430

ITEM	PART NUMBER	QTY	LINE	SERIES	BODY	ENGINE	TRANS	TRIM	DESCRIPTION
------	-------------	-----	------	--------	------	--------	-------	------	-------------

	05142649AA	1				EN0	DBB		
		1				EN0	DG0		



LIBERTY (KJ)

SERIES	LINE
P = LIMITED	J = JEEP - 4WD
H = SPORT	U = JEEP - 4WD (RHD)
M = RENEGADE	T = JEEP - 2WD

BODY  
74 = SPORT UTILITY 4-DR

ENGINE  
ED1 = Engine - 2.4L 4 Cyl  
DOHC 16v SMPI  
EKG = Engine - 3.7L V6  
ENR = Engine - 2.8L 4 Cyl  
Turbo Diesel  
ENO = 4CYL turbo diesel

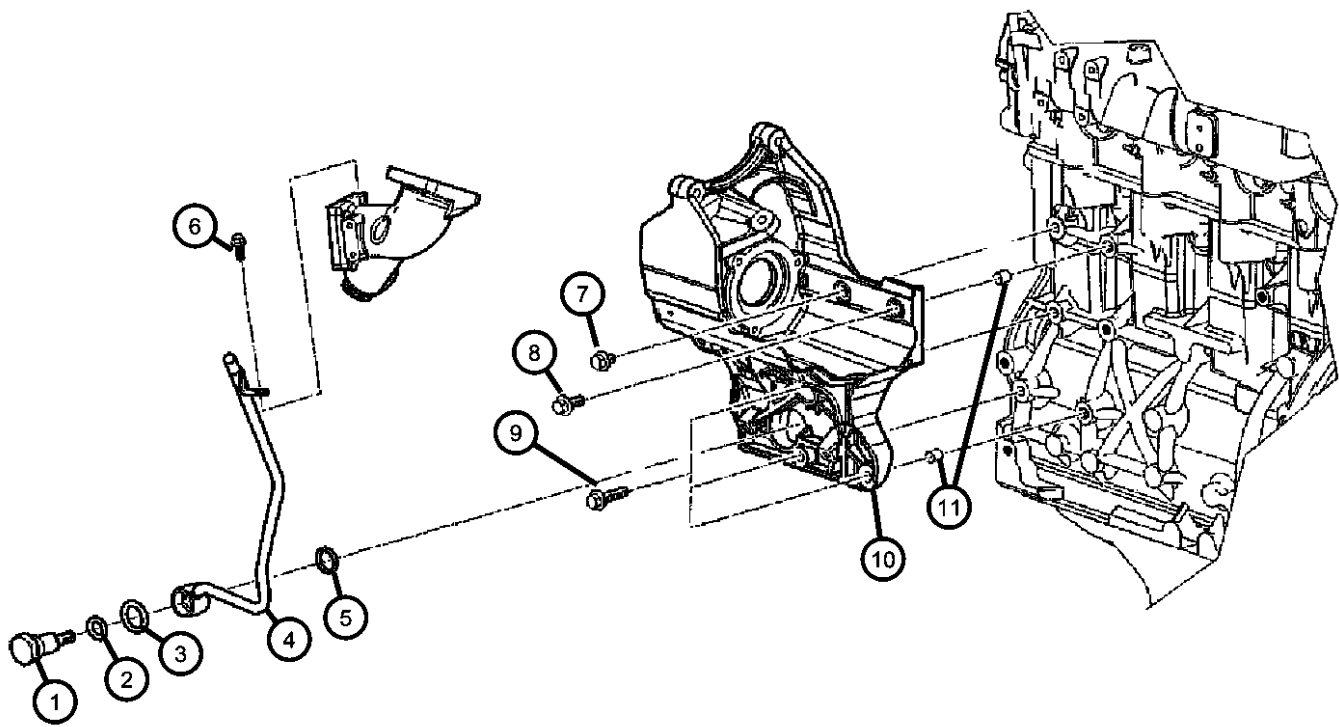
TRANSMISSION  
DGQ = Transmission-5-Spd Automatic  
5-45RFE  
DG6 = Transmission-4-Spd.  
Automatic, 42RLE  
DEH = Transmission-6-Speed Manual,  
NSG370  
DG0 = Transmissions - All Automatic  
DBB = ALL MANUAL  
TRANSMISSIONS

AR = use ase required - = Non illustrated part

2005 KJ

**Fuel Injection Pump Mounting  
Figure 14-435**

ITEM	PART NUMBER	QTY	LINE	SERIES	BODY	ENGINE	TRANS	TRIM	DESCRIPTION
Note; Sales Codes;									
[DBB] = All Manual Transmissions									
[DG0] = All Automatic Transmissions									
[EN0] = All 4/5 Cylinder Turbo Diesel Engines									
1									VALVE, Vacuum Pump
	05015037AA	1				EN0	DG0		
		1				EN0	DBB		
2									O RING
	05066860AA	3				EN0	DBB		
		1				EN0	DG0		
	05066862AA	2				EN0	DBB		
		2				EN0	DG0		
3									WASHER, Plain
	05015040AA	1				EN0	DBB		
		1				EN0	DG0		
4									LINE, Vacuum
	05142786AA	1				EN0	DBB		
		1				EN0	DG0		
5									GASKET, Vacuum Pump, .
	04863779	1				EN0	DBB		
		1				EN0	DG0		
6									BOLT, M6x10
	05003551AA	1				EN0	DBB		
		1				EN0	DG0		
7									SCREW
	05093900AA	1				EN0	DBB		
		1				EN0	DG0		
8									BOLT, Adaptor Plate
	05003532AA	10				EN0	DBB		
		10				EN0	DG0		
9									BOLT, Hex Flange Head, M10x35
	04897253AB	1				EN0	DG0		
		1				EN0	DBB		



**LIBERTY (KJ)**

SERIES      LINE  
P = LIMITED      J = JEEP - 4WD  
H = SPORT      U = JEEP - 4WD (RHD)  
M = RENEGADE      T = JEEP - 2WD

BODY  
74 = SPORT UTILITY 4-DR

ENGINE  
ED1 = Engine - 2.4L 4 Cyl  
DOHC 16v SMPI  
EKG = Engine - 3.7L V6  
ENR = Engine - 2.8L 4 Cyl  
Turbo Diesel  
ENO = 4CYL turbo diesel

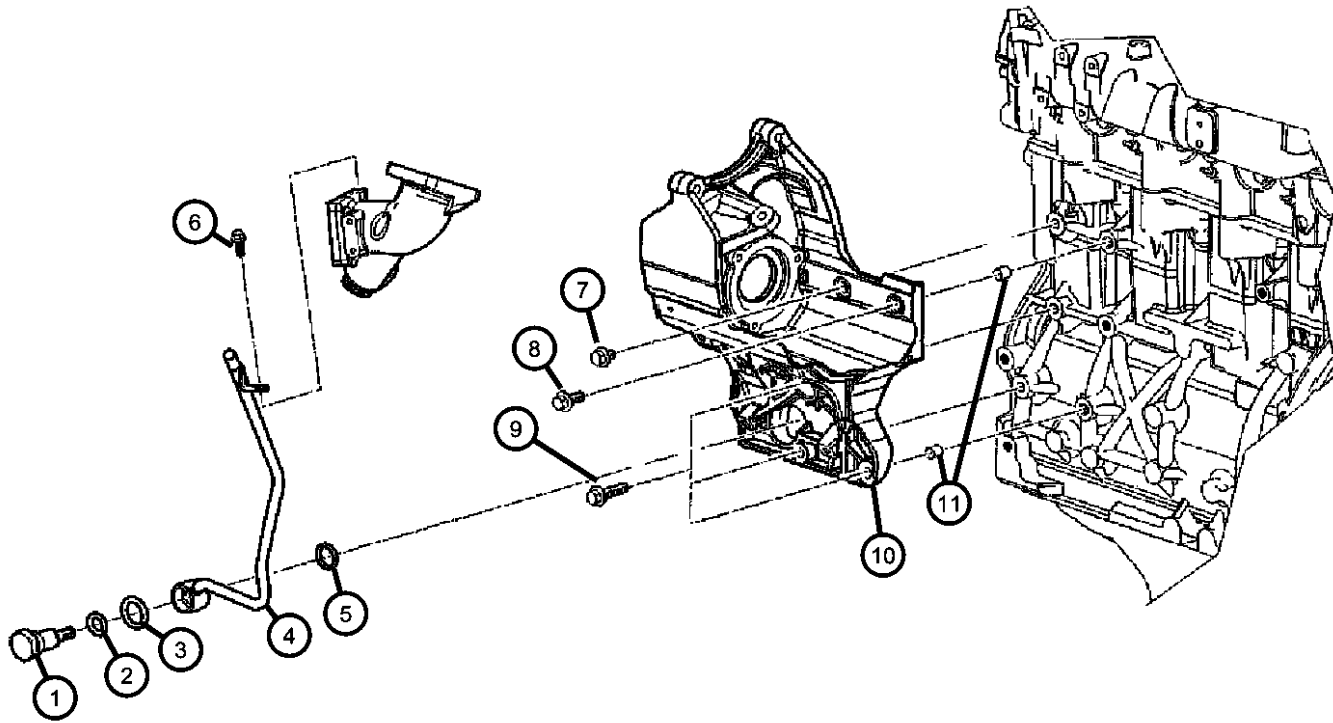
TRANSMISSION  
DGQ = Transmission-5-Spd Automatic  
5-45RFE  
DG6 = Transmission-4-Spd.  
Automatic, 42RLE  
DEH = Transmission-6-Speed Manual,  
NSG370  
DG0 = Transmissions - All Automatic  
DBB = ALL MANUAL  
TRANSMISSIONS

AR = use ase required - = Non illustrated part

2005 KJ

**Fuel Injection Pump Mounting  
Figure 14-435**

ITEM	PART NUMBER	QTY	LINE	SERIES	BODY	ENGINE	TRANS	TRIM	DESCRIPTION
10	05142553AA	1				EN0	DBB		BRACKET, Accessory Mount
		1				EN0	DG0		
11	05066862AA	1				EN0	DG0		PIN
		1				EN0	DBB		



**LIBERTY (KJ)**

SERIES      LINE  
P = LIMITED      J = JEEP - 4WD  
H = SPORT      U = JEEP - 4WD (RHD)  
M = RENEGADE      T = JEEP - 2WD

BODY  
74 = SPORT UTILITY 4-DR

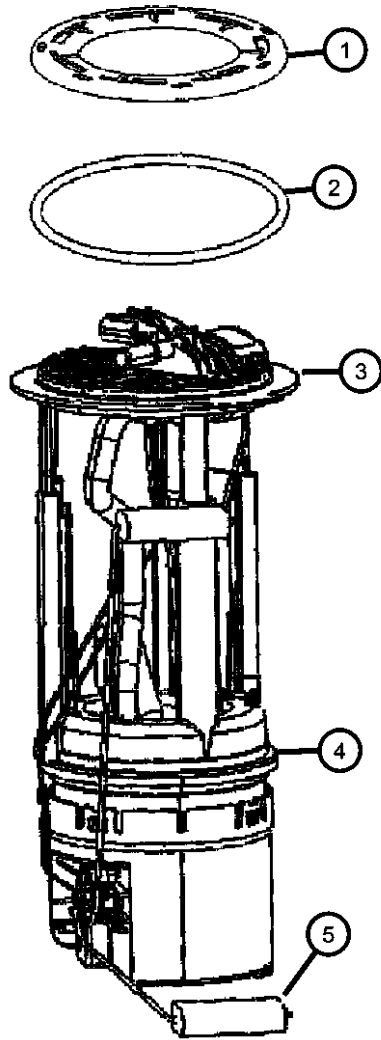
ENGINE  
ED1 = Engine - 2.4L 4 Cyl  
DOHC 16v SMPI  
EKG = Engine - 3.7L V6  
ENR = Engine - 2.8L 4 Cyl  
Turbo Diesel  
ENO = 4CYL turbo diesel

TRANSMISSION  
DGQ = Transmission-5-Spd Automatic  
5-45RFE  
DG6 = Transmission-4-Spd.  
Automatic, 42RLE  
DEH = Transmission-6-Speed Manual,  
NSG370  
DG0 = Transmissions - All Automatic  
DBB = ALL MANUAL  
TRANSMISSIONS

AR = use ase required - = Non illustrated part

2005 KJ

Fuel Pump and Sending Unit, [2.4L ED0, 3.7L EK0, 2.8L EN0]  
Figure 14-510



ITEM	PART NUMBER	QTY	LINE	SERIES	BODY	ENGINE	TRANS	TRIM	DESCRIPTION
1	55366299AA	1				ED0, EK0			RING, Lock, Fuel Module
2	55366298AA	1				EN0			O RING, Fuel Pump and Level Unit
3	05140832AB	1				ED0, EK0			MODULE PACKAGE, Fuel Tank
4	05140829AB	1				EN0			MODULE KIT, Fuel Pump/Level Unit, This Kit Contain The Following 52128975AE Fuel Module Assy 55366298AA Seal - Fuel Pump and Level Unit
5	05159159AA	1				ED0, EK0			LEVEL UNIT KIT, Fuel

LIBERTY (KJ)

SERIES LINE  
P = LIMITED J = JEEP - 4WD  
H = SPORT U = JEEP - 4WD (RHD)  
M = RENEGADE T = JEEP - 2WD

BODY  
74 = SPORT UTILITY 4-DR

ENGINE  
ED1 = Engine - 2.4L 4 Cyl DOHC 16v SMPI  
EKG = Engine - 3.7L V6  
ENR = Engine - 2.8L 4 Cyl Turbo Diesel  
ENO = 4CYL turbo diesel

TRANSMISSION  
DGQ = Transmission-5-Spd Automatic 5-45RFE  
DG6 = Transmission-4-Spd. Automatic, 42RLE  
DEH = Transmission-6-Speed Manual, NSG370  
DG0 = Transmissions - All Automatic  
DBB = ALL MANUAL TRANSMISSIONS

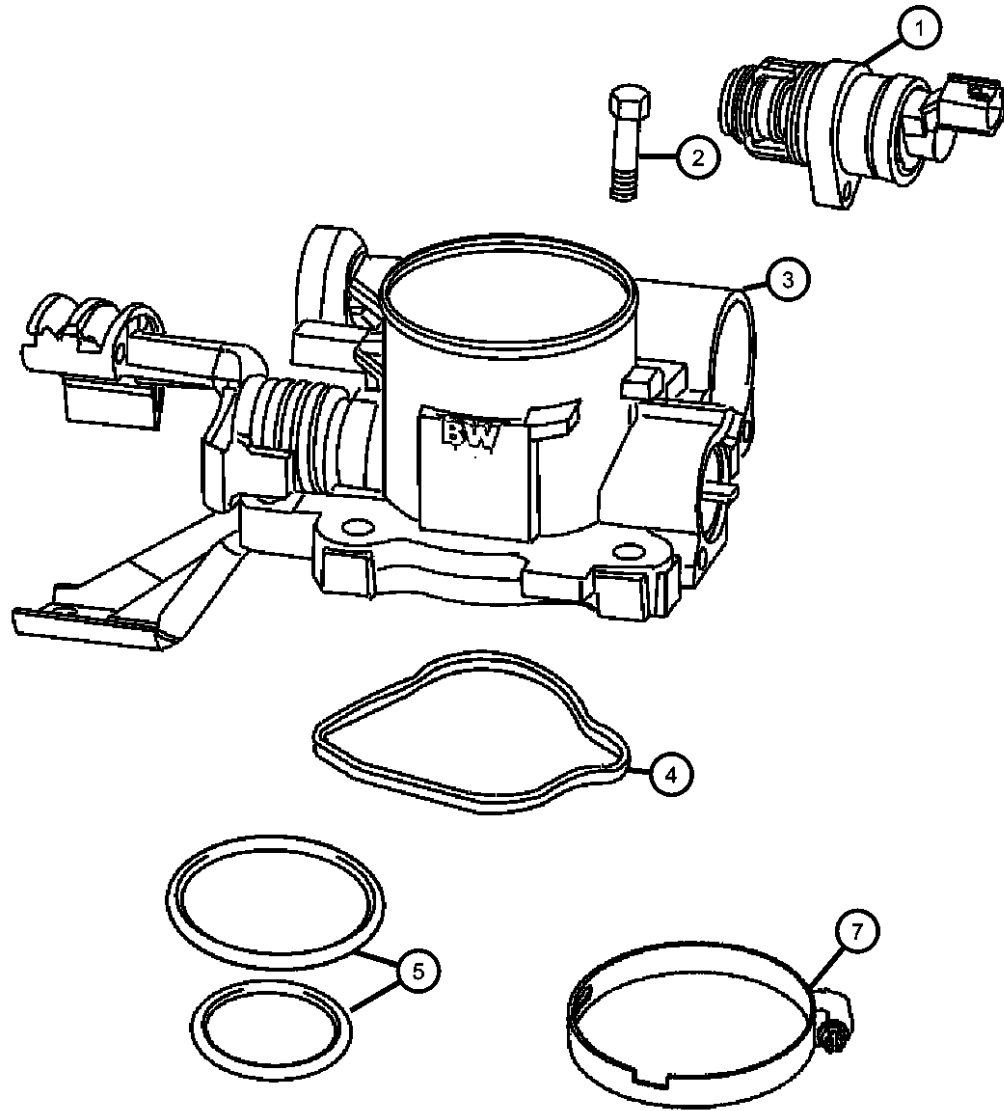
AR = use ase required - = Non illustrated part

2005 KJ



**Throttle Body, [2.4L ED0 3.7, EK0]  
Figure 14-610**

ITEM	PART NUMBER	QTY	LINE	SERIES	BODY	ENGINE	TRANS	TRIM	DESCRIPTION
Note; Sales Codes [ED0]= All 2.2L, 2.5L, 2.4L, 4 Cylinder Gas Engines [EK0]= All 3.7L, 6 Cylinder Gas Engines									
1									SOLENOID, Linear IACV
	04861325AD	1				ED0			
	04861552AC	1				EK0			
2	04861552AC	1							SCREW, Hex Head, M6 x 1.00 x 40.00, (NOT SERVICED)
3									THROTTLE BODY
	05139073AB	1				EK0			
	53013547AD	1				ED0			
4									GASKET, Throttle Body To Intake
	53013292AB	1				EK0			
	53013533AA	1				ED0			
5									O RING KIT, Linear Solenoid
	05114356AA	1				ED0			
		1				EK0			
-6									SENSOR KIT, Throttle Position, Attaching Screws No Oring Required For This Application
	05019411AC	1				ED0			
		1				EK0			
7	53013725AA	1				EK0			CLAMP, Hose to Throttle Body



**LIBERTY (KJ)**

SERIES      LINE  
P = LIMITED      J = JEEP - 4WD  
H = SPORT      U = JEEP - 4WD (RHD)  
M = RENEGADE      T = JEEP - 2WD

BODY  
74 = SPORT UTILITY 4-DR

ENGINE  
ED1 = Engine - 2.4L 4 Cyl DOHC 16v SMPI  
EKG = Engine - 3.7L V6  
ENR = Engine - 2.8L 4 Cyl Turbo Diesel  
ENO = 4CYL turbo diesel

TRANSMISSION  
DGQ = Transmission-5-Spd Automatic 5-45RFE  
DG6 = Transmission-4-Spd. Automatic, 42RLE  
DEH = Transmission-6-Speed Manual, NSG370  
DG0 = Transmissions - All Automatic  
DBB = ALL MANUAL TRANSMISSIONS

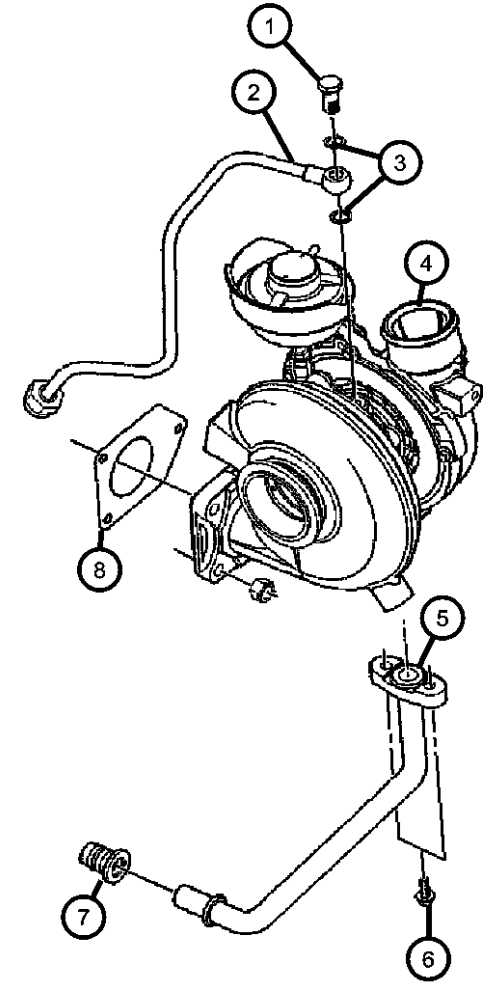
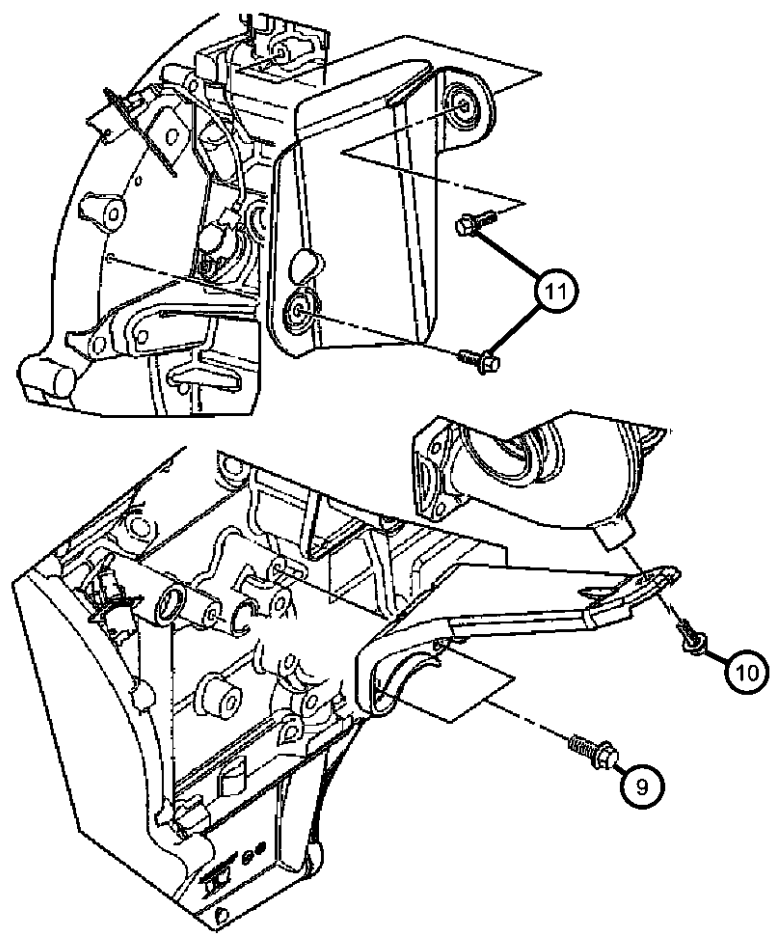
AR = use ase required - = Non illustrated part

2005 KJ



**Turbocharger [2.8L EN0]  
Figure 14-620**

ITEM	PART NUMBER	QTY	LINE	SERIES	BODY	ENGINE	TRANS	TRIM	DESCRIPTION
11									SCREW
	05003553AB	1				EN0	DG0		
		1				EN0	DBB		
-12	53013753AB	1				EN0			SHIELD, Exhaust Manifold



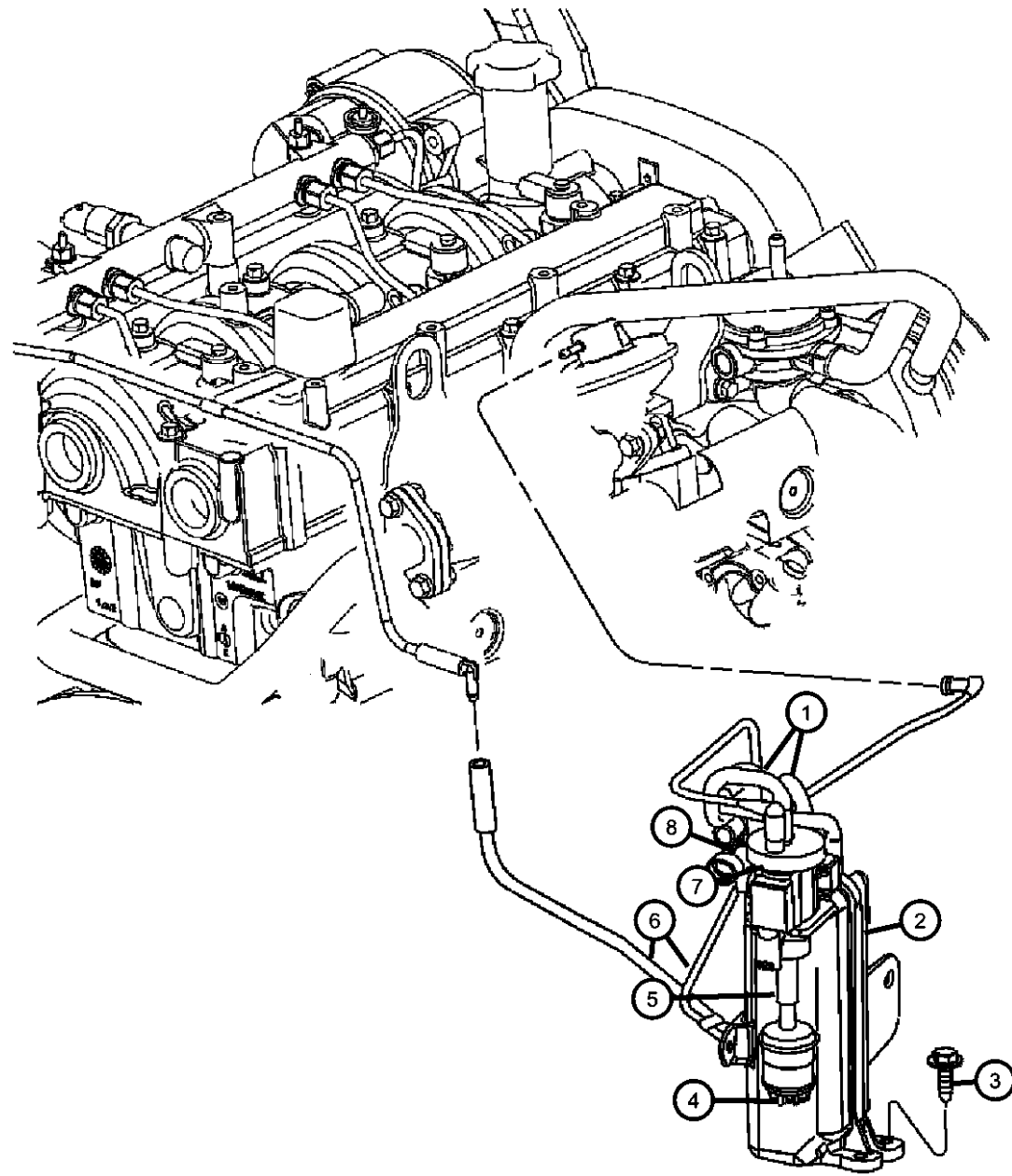
<b>LIBERTY (KJ)</b>				
SERIES	LINE	BODY	ENGINE	TRANSMISSION
P = LIMITED	J = JEEP - 4WD	74 = SPORT UTILITY 4-DR	ED1 = Engine - 2.4L 4 Cyl DOHC 16v SMPI	DGQ = Transmission-5-Spd Automatic 5-45RFE
H = SPORT	U = JEEP - 4WD (RHD)		EKG = Engine - 3.7L V6	DG6 = Transmission-4-Spd. Automatic, 42RLE
M = RENEGADE	T = JEEP - 2WD		ENR = Engine - 2.8L 4 Cyl Turbo Diesel	DEH = Transmission-6-Speed Manual, NSG370
			ENO = 4CYL turbo diesel	DG0 = Transmissions - All Automatic
				DBB = ALL MANUAL TRANSMISSIONS

AR = use ase required - = Non illustrated part

**Electric turbo Modulator  
Figure 14-630**

ITEM	PART NUMBER	QTY	LINE	SERIES	BODY	ENGINE	TRANS	TRIM	DESCRIPTION
------	-------------	-----	------	--------	------	--------	-------	------	-------------

Note; Sales Codes  
[EN0]= All 4/5 Cylinder Turbo Diesels



1									HOSE, Solenoid
	05143972AA	1	J, U			EN0			Wastegate Solenoid
	05143973AA	1	J, U			EN0			This Hose Goes Between The Vacuum Solenoid 4606226AC and The Reservoir 52129285AA.
2	52129285AA	1	J, U			EN0			RESERVOIR, Vacuum
3	52129285AA	1							SCREW, M4.8-1.59X15.00, (NOT SERVICED)
4	05274510AA	1	J, U			EN0			FILTER, Vacuum Solenoid
5	52109619AB	1	J, U			EN0			HOSE, Solenoid
6	05161263AB	1	J, U			EN0			TUBE ASSY, Vacuum
7	52109543AA	1	J, U			EN0			MODULATOR, Vacuum Electric
8	04606226AC	1	J, U			EN0			SOLENOID, Secondary Runner Valve

**LIBERTY (KJ)**

SERIES	LINE
P = LIMITED	J = JEEP - 4WD
H = SPORT	U = JEEP - 4WD (RHD)
M = RENEGADE	T = JEEP - 2WD

BODY  
74 = SPORT UTILITY 4-DR

ENGINE  
ED1 = Engine - 2.4L 4 Cyl DOHC 16v SMPI  
EKG = Engine - 3.7L V6  
ENR = Engine - 2.8L 4 Cyl Turbo Diesel  
ENO = 4CYL turbo diesel

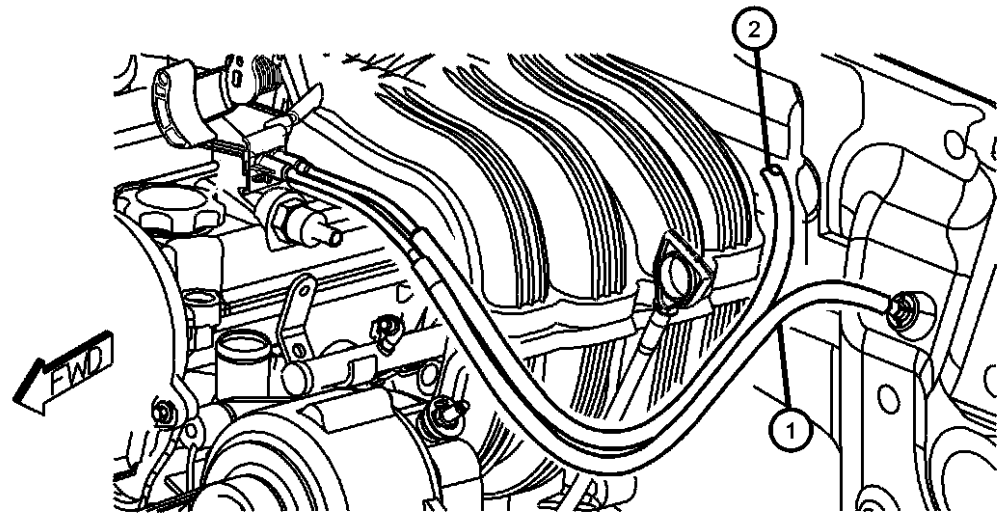
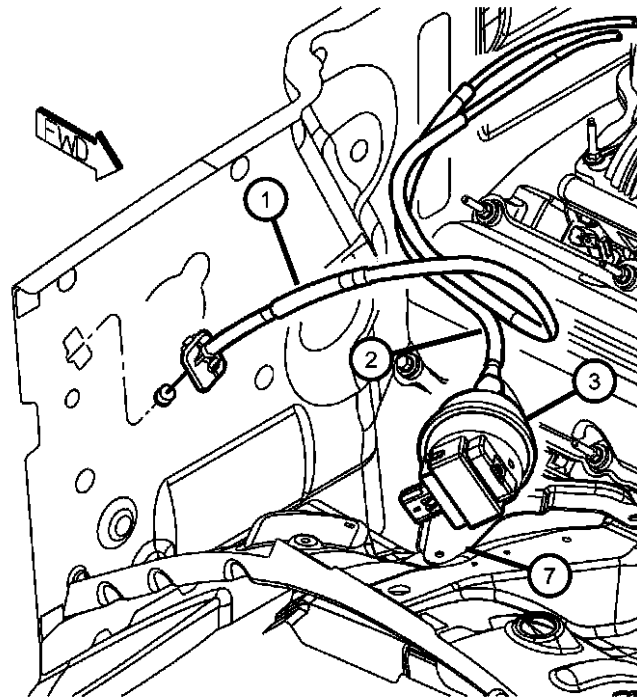
TRANSMISSION  
DGQ = Transmission-5-Spd Automatic 5-45RFE  
DG6 = Transmission-4-Spd. Automatic, 42RLE  
DEH = Transmission-6-Speed Manual, NSG370  
DG0 = Transmissions - All Automatic  
DBB = ALL MANUAL TRANSMISSIONS

AR = use ase required - = Non illustrated part

2005 KJ

Throttle Controls, [2.4L ED0]  
Figure 14-710

ITEM	PART NUMBER	QTY	LINE	SERIES	BODY	ENGINE	TRANS	TRIM	DESCRIPTION
Note; Sales Codes [ED0]= All 2.2L, 2.5L, 2.4L, 4 Cylinder Gas Engines									
1									CABLE, Accelerator
	53013137AB	1	J, T			ED0			
	53013239AB	1	U			ED0			
2	53013346AB	1				ED0			CABLE, Speed Control
3	04669979	1				ED0			SERVO, Speed Control
-4	06025867	1				ED0			CLIP, Cable to Servo Attach
-5	06502493	2				ED0			NUT, Hex Flange Serration, M6x1
-6	06025867	1				ED0			CLIP, Cable to Servo Attach
7	53013348AA	1				ED0			BRACKET, Speed Control Servo



LIBERTY (KJ)

SERIES      LINE  
P = LIMITED      J = JEEP - 4WD  
H = SPORT      U = JEEP - 4WD (RHD)  
M = RENEGADE      T = JEEP - 2WD

BODY  
74 = SPORT UTILITY 4-DR

ENGINE  
ED1 = Engine - 2.4L 4 Cyl  
DOHC 16v SMPI  
EKG = Engine - 3.7L V6  
ENR = Engine - 2.8L 4 Cyl  
Turbo Diesel  
ENO = 4CYL turbo diesel

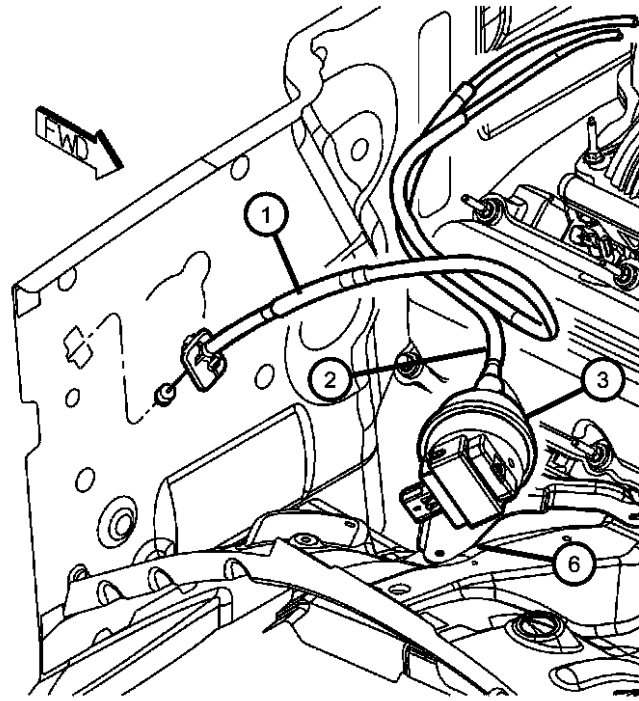
TRANSMISSION  
DGQ = Transmission-5-Spd Automatic  
5-45RFE  
DG6 = Transmission-4-Spd.  
Automatic, 42RLE  
DEH = Transmission-6-Speed Manual,  
NSG370  
DG0 = Transmissions - All Automatic  
DBB = ALL MANUAL  
TRANSMISSIONS

AR = use ase required - = Non illustrated part

2005 KJ

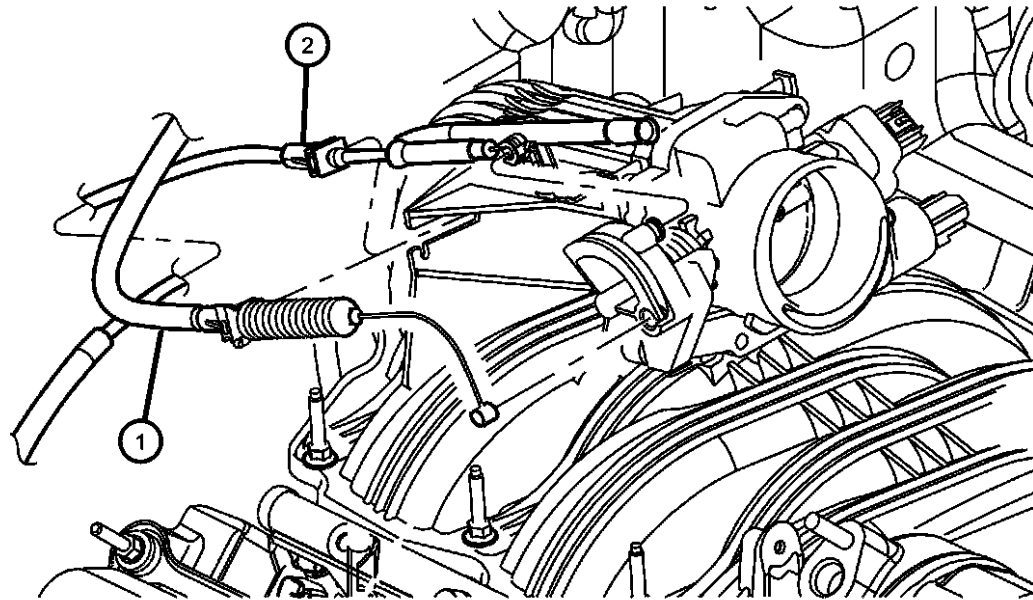
Throttle Controls, [3.7L EK0]  
Figure 14-720

ITEM	PART NUMBER	QTY	LINE	SERIES	BODY	ENGINE	TRANS	TRIM	DESCRIPTION
------	-------------	-----	------	--------	------	--------	-------	------	-------------



Note; Sales Codes  
[EKG]= 3.7L Magnum V-6  
[EK0]= All 3.7L V-6 Gas Engines

1									CABLE, Accelerator
	53013136AF	1	J, T			EKG			
	53013138AE	1	U			EKG			
2	53013367AD	1				EK0			CABLE, Speed Control
3	04669979	1				EK0			SERVO, Speed Control
-4	06502493	2				EK0			NUT, Hex Flange Serration, M6x1
-5	06025867	1				EK0			CLIP, Cable to Servo Attach
6	53013348AA	1				EK0			BRACKET, Speed Control Servo
-7	05214613	1	J, T						CLIP, Cable, Accelerator Cable to Pedal



LIBERTY (KJ)

SERIES      LINE  
P = LIMITED      J = JEEP - 4WD  
H = SPORT      U = JEEP - 4WD (RHD)  
M = RENEGADE      T = JEEP - 2WD

BODY  
74 = SPORT UTILITY 4-DR

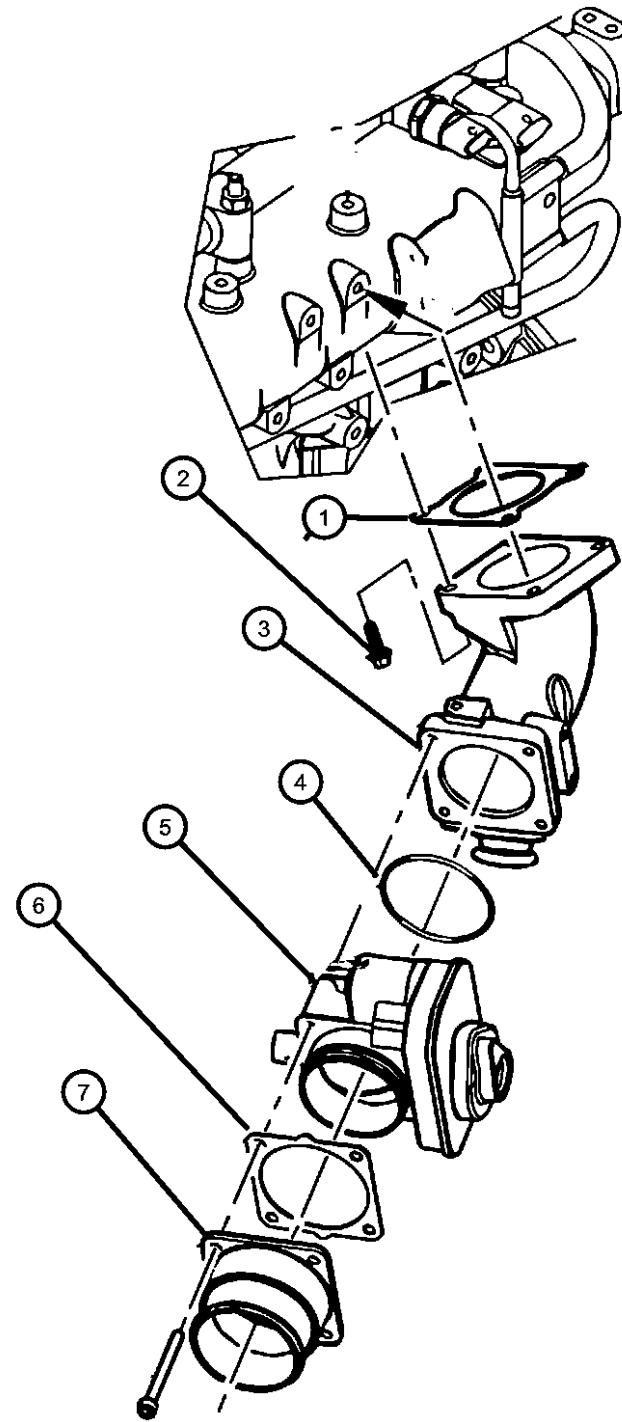
ENGINE  
ED1 = Engine - 2.4L 4 Cyl  
DOHC 16v SMPI  
EKG = Engine - 3.7L V6  
ENR = Engine - 2.8L 4 Cyl  
Turbo Diesel  
ENO = 4CYL turbo diesel

TRANSMISSION  
DGQ = Transmission-5-Spd Automatic  
5-45RFE  
DG6 = Transmission-4-Spd.  
Automatic, 42RLE  
DEH = Transmission-6-Speed Manual,  
NSG370  
DG0 = Transmissions - All Automatic  
DBB = ALL MANUAL  
TRANSMISSIONS

AR = use ase required - = Non illustrated part

2005 KJ

Throttle Control [2.8L EN0]  
Figure 14-730



ITEM	PART NUMBER	QTY	LINE	SERIES	BODY	ENGINE	TRANS	TRIM	DESCRIPTION
1	05066946AA	1				EN0	DG0		GASKET
2	05066944AB	1				EN0	DBB		SCREW
3	05142602AA	1				EN0	DG0		ELBOW, Air Intake
4	05142806AA	1				EN0	DG0		O RING, Egr airflow control valve to elbow
5	05142799AA	1				EN0	DG0		CONTROL, Electronic Throttle
6	05142613AA	1				EN0	DG0		GASKET, Egr airflow control valve
7	05142813AA	1				EN0	DG0		ADAPTER, Intake Throttle

LIBERTY (KJ)

SERIES      LINE  
P = LIMITED      J = JEEP - 4WD  
H = SPORT      U = JEEP - 4WD (RHD)  
M = RENEGADE      T = JEEP - 2WD

BODY  
74 = SPORT UTILITY 4-DR

ENGINE  
ED1 = Engine - 2.4L 4 Cyl DOHC 16v SMPI  
EKG = Engine - 3.7L V6  
ENR = Engine - 2.8L 4 Cyl Turbo Diesel  
ENO = 4CYL turbo diesel

TRANSMISSION  
DGQ = Transmission-5-Spd Automatic 5-45RFE  
DG6 = Transmission-4-Spd. Automatic, 42RLE  
DEH = Transmission-6-Speed Manual, NSG370  
DG0 = Transmissions - All Automatic  
DBB = ALL MANUAL TRANSMISSIONS

AR = use ase required - = Non illustrated part

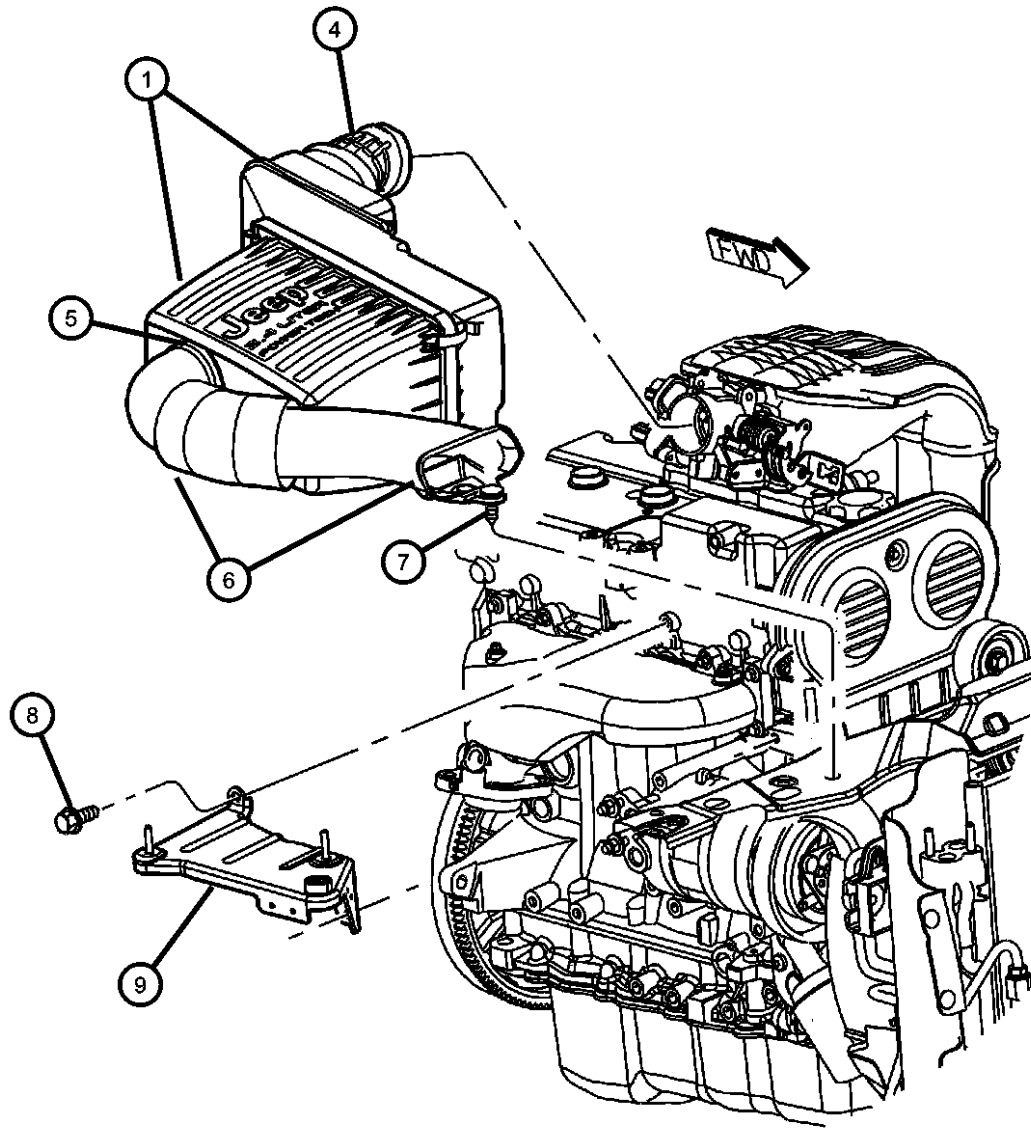
2005 KJ

**Air Cleaner, [2.4L ED0]  
Figure 14-810**

ITEM	PART NUMBER	QTY	LINE	SERIES	BODY	ENGINE	TRANS	TRIM	DESCRIPTION
------	-------------	-----	------	--------	------	--------	-------	------	-------------

Note; Sales Codes  
[ED0]= All 2.2L, 2.5L, 2.4L, 4 Cylinder Gas Engines

1	53013671AA	1				ED0			BODY, Air Cleaner
-2	05019443AA	1				ED0			FILTER, Air
-3	53013093AA	1				ED0			TUBE, Crankcase Vent To Air Cleaner
4	J3180725	1				ED0			CLAMP, Hose
5	53013476AA	1				ED0			CLAMP, Hose to Air Cleaner
6	53013101AB	1				ED0			INLET, Fresh Air
7	06036456AA	1				ED0			RIVET
8	06503692	2				ED0			SCREW, M8-1.25
9	53013473AA	1				ED0			BRACKET, Air Cleaner
-10	53013357AA	1				ED0			GROMMET, Air Cleaner
-11	04669177	2				ED0, EK0			GROMMET, Air Cleaner Bracket



**LIBERTY (KJ)**

SERIES      LINE  
P = LIMITED      J = JEEP - 4WD  
H = SPORT      U = JEEP - 4WD (RHD)  
M = RENEGADE      T = JEEP - 2WD

BODY  
74 = SPORT UTILITY 4-DR

ENGINE  
ED1 = Engine - 2.4L 4 Cyl  
DOHC 16v SMPI  
EKG = Engine - 3.7L V6  
ENR = Engine - 2.8L 4 Cyl  
Turbo Diesel  
ENO = 4CYL turbo diesel

TRANSMISSION  
DGQ = Transmission-5-Spd Automatic  
5-45RFE  
DG6 = Transmission-4-Spd.  
Automatic, 42RLE  
DEH = Transmission-6-Speed Manual,  
NSG370  
DG0 = Transmissions - All Automatic  
DBB = ALL MANUAL  
TRANSMISSIONS

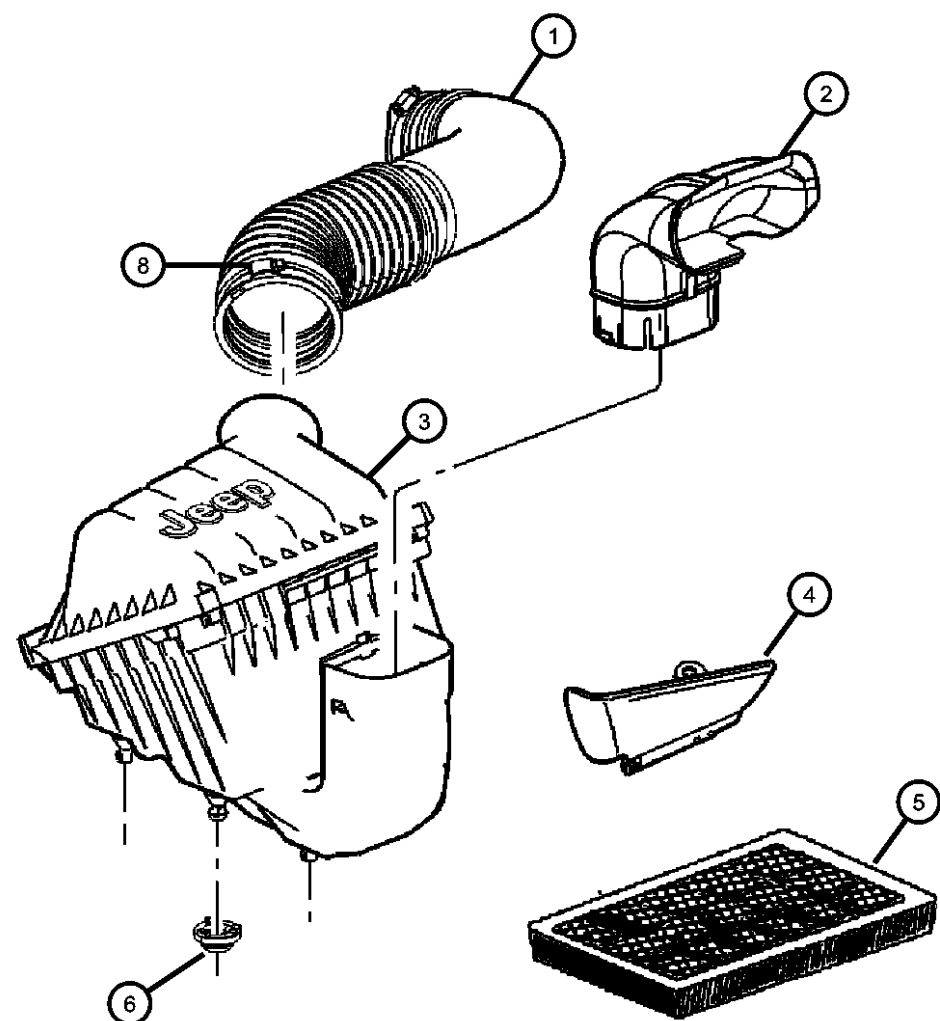
AR = use ase required - = Non illustrated part

2005 KJ



Air Cleaner, [3.7L EK0]

Figure 14-820



3.7L

ITEM	PART NUMBER	QTY	LINE	SERIES	BODY	ENGINE	TRANS	TRIM	DESCRIPTION
Note; Sales Codes [EK0]= All 3.7L, 6 Cylinder Gas Engines [EN0]= All 4/5 Cylinder Turbo Diesels									
1	53013724AA	1				EK0			HOSE, Air Cleaner
2	53013103AA	1				EK0			INLET, Fresh Air
3	53013727AA	1				EK0			AIR CLEANER
4	53013509AA	1				EK0			BAFFLE, Air Inlet
5	05018777AB	1				EK0			FILTER, Air
	VMWK30K1AA								Mopar HEMI 5.7L Maintenance Kit 30,000 Mile (Air/Oil Filters, Plugs, PCV)
	VMWK60K1AA								Mopar HEMI 5.7L Maintenance Kit 60,000 Mile (Air/Oil Filters, Plugs, PCV, Drive Belt, LX Cabin Filter)
	77060013								Performance Cold Air System, KJ, 2005-2006, 3.7L
	P4510472								Performance Air Filter, KJ, 2002-2003, 3.7L
	77060010								Performance Cold Air System, WK, 2005-2007, 5.7L
	77060011								Performance Cold Air System, WK, 2005-2007, 6.1L
6	53013357AA	3				EK0, EN0			GROMMET, Air Cleaner
-7	06036456AA	1				EK0			RIVET
8	53013726AA	1				EK0			CLAMP, Hose to Air Cleaner

LIBERTY (KJ)

SERIES LINE  
P = LIMITED J = JEEP - 4WD  
H = SPORT U = JEEP - 4WD (RHD)  
M = RENEGADE T = JEEP - 2WD

BODY  
74 = SPORT UTILITY 4-DR

ENGINE  
ED1 = Engine - 2.4L 4 Cyl DOHC 16v SMPI  
EKG = Engine - 3.7L V6  
ENR = Engine - 2.8L 4 Cyl Turbo Diesel  
ENO = 4CYL turbo diesel

TRANSMISSION  
DGQ = Transmission-5-Spd Automatic 5-45RFE  
DG6 = Transmission-4-Spd. Automatic, 42RLE  
DEH = Transmission-6-Speed Manual, NSG370  
DG0 = Transmissions - All Automatic  
DBB = ALL MANUAL TRANSMISSIONS

AR = use ase required - = Non illustrated part

2005 KJ

Air Cleaner, [2.8L EN0]

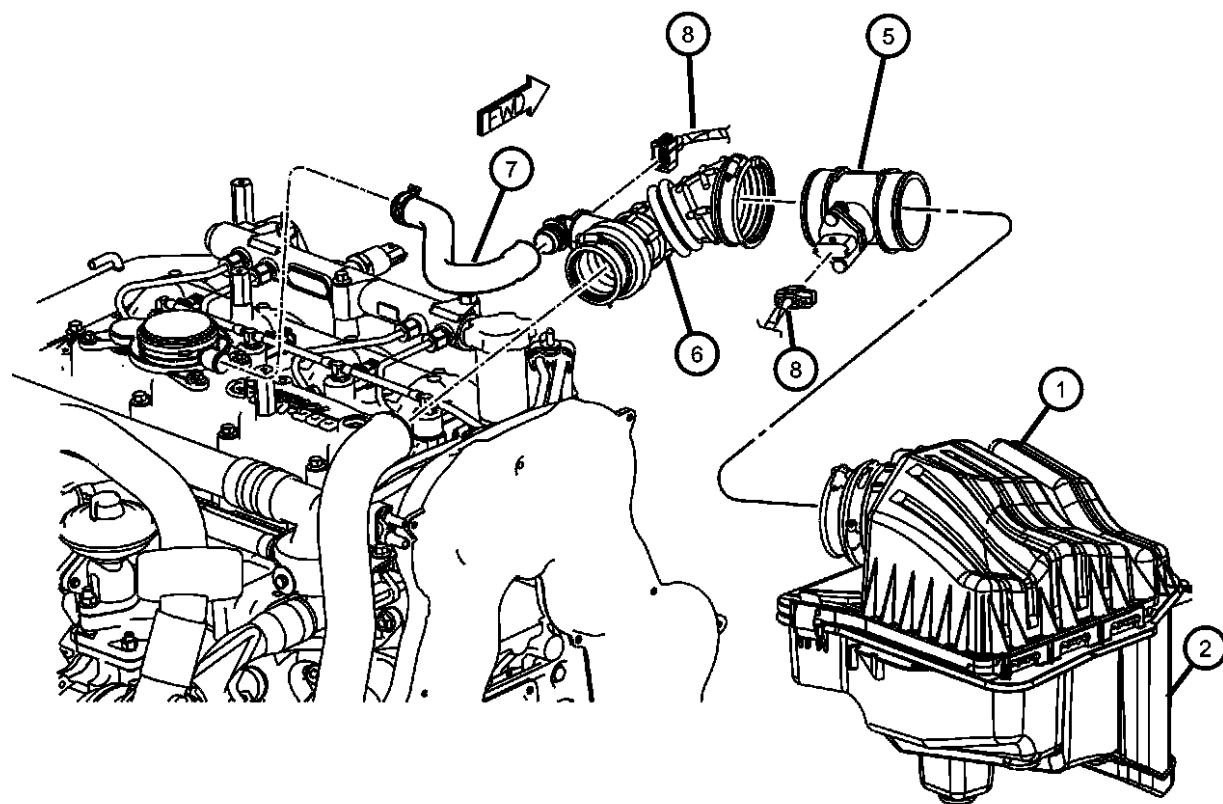
Figure 14-830

ITEM	PART NUMBER	QTY	LINE	SERIES	BODY	ENGINE	TRANS	TRIM	DESCRIPTION
------	-------------	-----	------	--------	------	--------	-------	------	-------------

Note; Sales Codes

[EK0]= All 3.7L, 6 Cylinder Gas Engines

[EN0]= All 4/5 Cylinder Turbo Diesels



1	05159174AA	1				EN0			COVER, Air Cleaner
2	05159170AA	1				EN0			BODY, Air Cleaner
-3	05018777AB	1				EN0			FILTER, Air
	VMWK30K1AA								Mopar HEMI 5.7L Maintenance Kit 30,000 Mile (Air/Oil Filters, Plugs, PCV)
	VMWK60K1AA								Mopar HEMI 5.7L Maintenance Kit 60,000 Mile (Air/Oil Filters, Plugs, PCV, Drive Belt, LX Cabin Filter)
	77060013								Performance Cold Air System, KJ, 2005-2006, 3.7L
	P4510472								Performance Air Filter, KJ, 2002-2003, 3.7L
	77060010								Performance Cold Air System, WK, 2005-2007, 5.7L
	77060011								Performance Cold Air System, WK, 2005-2007, 6.1L
-4	53013762AA	1				EN0			INLET, Fresh Air
5	53013762AA	1							SENSOR PACKAGE, Air Flow Meter, (NOT SERVICED)
6	53013104AC	1				EN0			HOSE, Clean Air
7	53013729AB	1				EN0			HOSE, Separator To Air Cleaner
8	53013729AB	1							WIRING, Engine, See Group 8, (NOT SERVICED)
-9	06102192AA	2				EN0			SCREW, Intake Manifold

LIBERTY (KJ)

SERIES LINE  
 P = LIMITED J = JEEP - 4WD  
 H = SPORT U = JEEP - 4WD (RHD)  
 M = RENEGADE T = JEEP - 2WD

BODY  
 74 = SPORT UTILITY 4-DR

ENGINE  
 ED1 = Engine - 2.4L 4 Cyl DOHC 16v SMPI  
 EKG = Engine - 3.7L V6  
 ENR = Engine - 2.8L 4 Cyl Turbo Diesel  
 ENO = 4CYL turbo diesel

TRANSMISSION  
 DGQ = Transmission-5-Spd Automatic 5-45RFE  
 DG6 = Transmission-4-Spd. Automatic, 42RLE  
 DEH = Transmission-6-Speed Manual, NSG370  
 DG0 = Transmissions - All Automatic  
 DBB = ALL MANUAL TRANSMISSIONS

AR = use ase required - = Non illustrated part

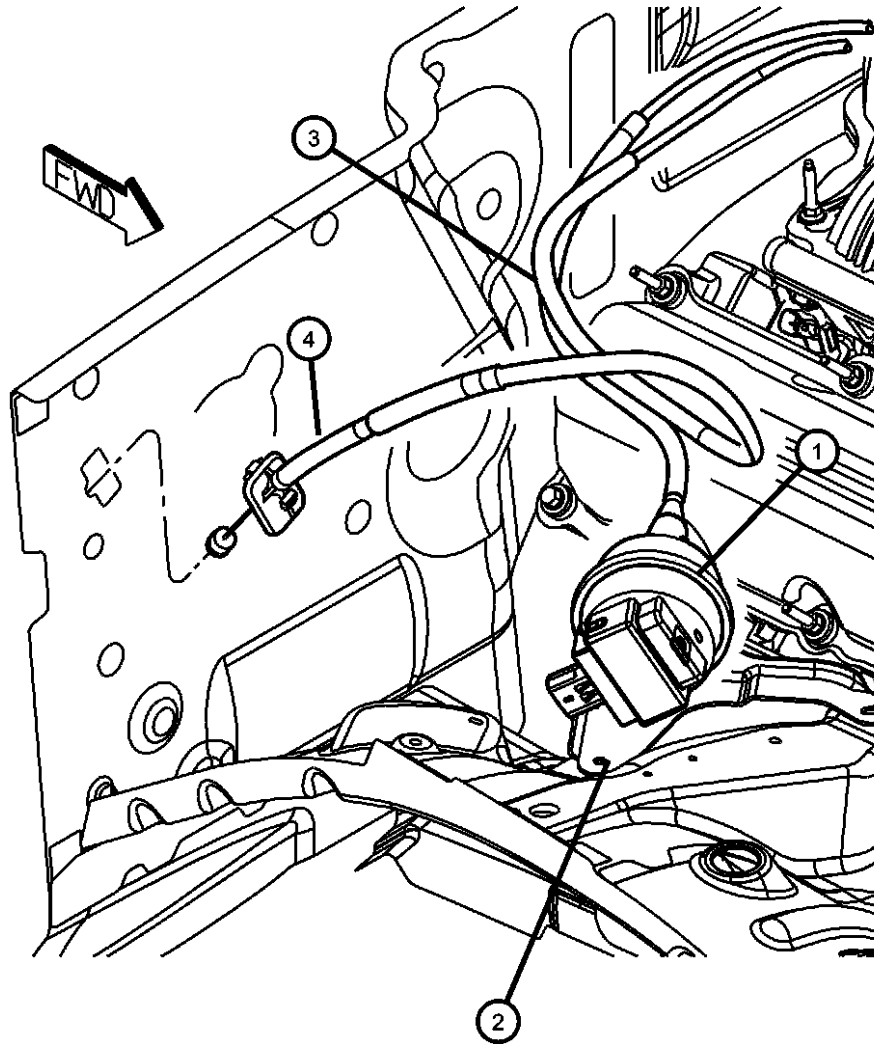
2005 KJ

**Speed Control  
Figure 14-1010**

ITEM	PART NUMBER	QTY	LINE	SERIES	BODY	ENGINE	TRANS	TRIM	DESCRIPTION
------	-------------	-----	------	--------	------	--------	-------	------	-------------

Note; Sales Codes  
 [ED0]= All 2.2L, 2.5L, 2.4L, 4 Cylinder Gas Engines  
 [EKG]= 3.7L Power Tech V-6  
 [EK0]= All 3.7L 6 Cylinder Gas Engines

1	04669979	1				ED0			SERVO, Speed Control
2	53013348AA	1				ED0			BRACKET, Speed Control Servo
3	53013346AB	1				ED0			CABLE, Speed Control
4									CABLE, Accelerator
	53013136AF	1	J, T			EKG			
	53013137AB	1	J, T			ED0			
	53013138AE	1	U			EKG			
-5	53013347AB	1				ED0			HARNES, Speed Control Vacuum
-6									NUT, Hex Flange Serration, M6x1
	06502493	2				ED0			
		2				EK0			
-7	06025867	1				ED0			CLIP, Cable to Servo Attach
-8	55037536AB	1							RESERVOIR, Speed Control Vacuum



**LIBERTY (KJ)**

SERIES      LINE  
 P = LIMITED      J = JEEP - 4WD  
 H = SPORT      U = JEEP - 4WD (RHD)  
 M = RENEGADE      T = JEEP - 2WD

BODY  
 74 = SPORT UTILITY 4-DR

ENGINE  
 ED1 = Engine - 2.4L 4 Cyl  
 DOHC 16v SMPI  
 EKG = Engine - 3.7L V6  
 ENR = Engine - 2.8L 4 Cyl  
 Turbo Diesel  
 ENO = 4CYL turbo diesel

TRANSMISSION  
 DGQ = Transmission-5-Spd Automatic  
 5-45RFE  
 DG6 = Transmission-4-Spd.  
 Automatic, 42RLE  
 DEH = Transmission-6-Speed Manual,  
 NSG370  
 DG0 = Transmissions - All Automatic  
 DBB = ALL MANUAL  
 TRANSMISSIONS

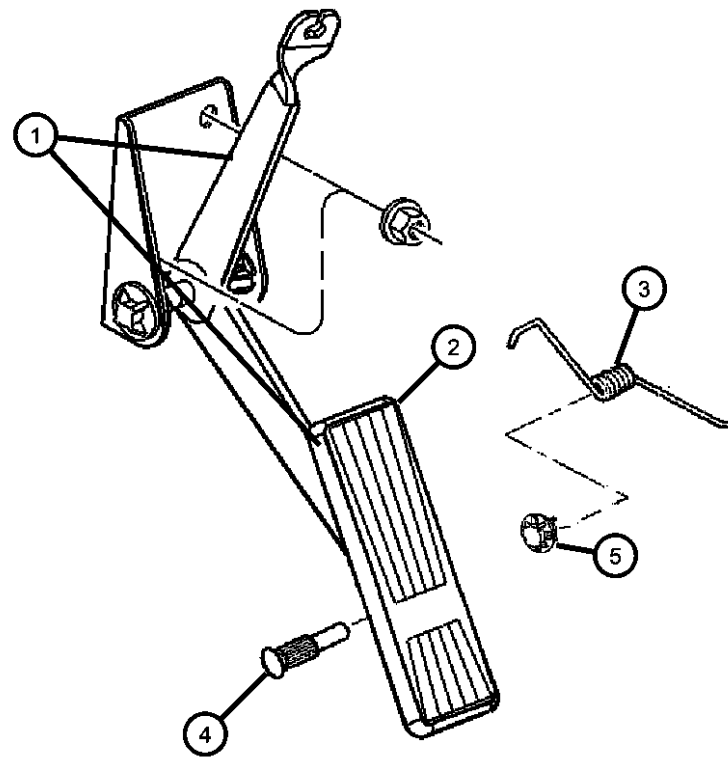
AR = use ase required - = Non illustrated part

2005 KJ

**Accelerator Pedal  
Figure 14-1110**

ITEM	PART NUMBER	QTY	LINE	SERIES	BODY	ENGINE	TRANS	TRIM	DESCRIPTION
------	-------------	-----	------	--------	------	--------	-------	------	-------------

Note; Sales Codes  
 [ED0]= All 2.2L, 2.5L, 2.4L, 4 Cylinder Gas Engines  
 [EK0]= All 3.7L 6 Cylinder Gas Engines  
 [EN0]= All 4/5 Cylinder Turbo Diesels



1									PEDAL, Accelerator
	53013527AA	1	J, T			ED0, EK0			
	53013528AA	1	U			ED0, EK0			
	53013703AB	1	J, T			EN0			
	53013704AD	1	U			EN0			
2									PAD, Accelerator Pedal, Also Serviced In Item 1
	53003932AB	1	U			ED0, EK0			
		1	J, T			ED0, EK0			
3									SPRING, Accelerator Pedal Return, Also Serviced In Item 1
	52078168	1	U			ED0, EK0			
		1	J, T			ED0, EK0			
4									PIN, Accelerator Pedal Mtg., Also Serviced In Item 1
	J3220231	1	U			ED0, EK0			
		1	J, T			ED0, EK0			
5									BUSHING, Accelerator Pedal, Also Serviced In Item 1
	52078653	2	U			ED0, EK0			
		2	J, T			ED0, EK0			
-6		2							NUT, (NOT SERVICED)

**LIBERTY (KJ)**

SERIES      LINE  
 P = LIMITED      J = JEEP - 4WD  
 H = SPORT      U = JEEP - 4WD (RHD)  
 M = RENEGADE      T = JEEP - 2WD

BODY  
 74 = SPORT UTILITY 4-DR

ENGINE  
 ED1 = Engine - 2.4L 4 Cyl  
 DOHC 16v SMPI  
 EKG = Engine - 3.7L V6  
 ENR = Engine - 2.8L 4 Cyl  
 Turbo Diesel  
 ENO = 4CYL turbo diesel

TRANSMISSION  
 DGQ = Transmission-5-Spd Automatic  
 5-45RFE  
 DG6 = Transmission-4-Spd.  
 Automatic, 42RLE  
 DEH = Transmission-6-Speed Manual,  
 NSG370  
 DG0 = Transmissions - All Automatic  
 DBB = ALL MANUAL  
 TRANSMISSIONS

AR = use ase required - = Non illustrated part

2005 KJ

# Group - 16

## Propeller Shafts and U-Joints

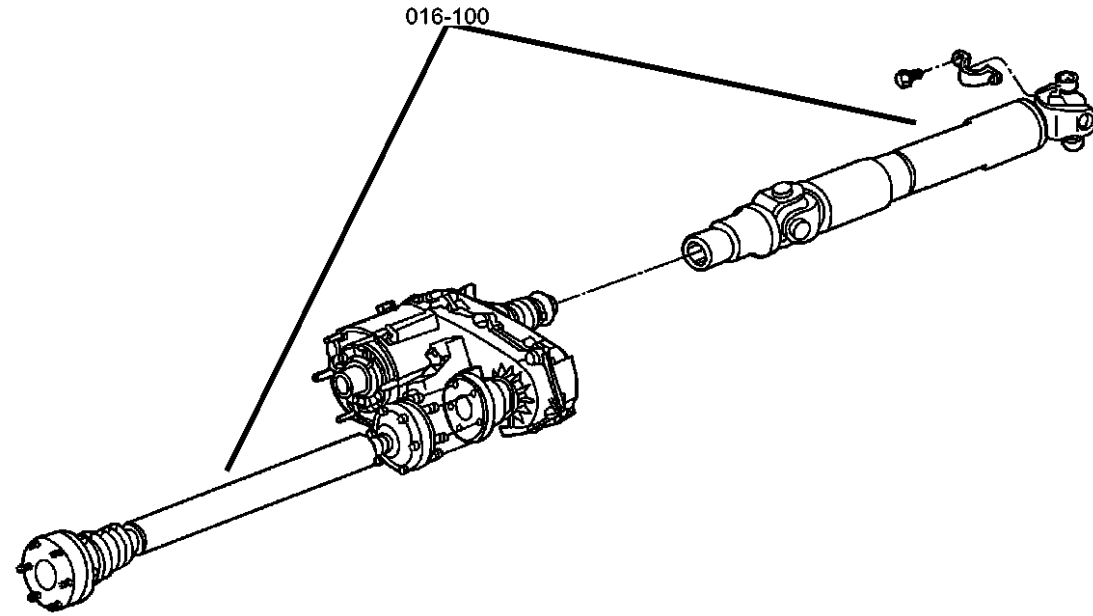
### Group - 16 Propeller Shafts and U-Joints

Illustration Title

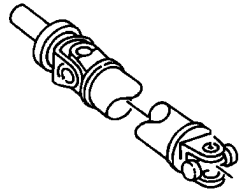
Group-Fig. No.

#### Propeller Shaft

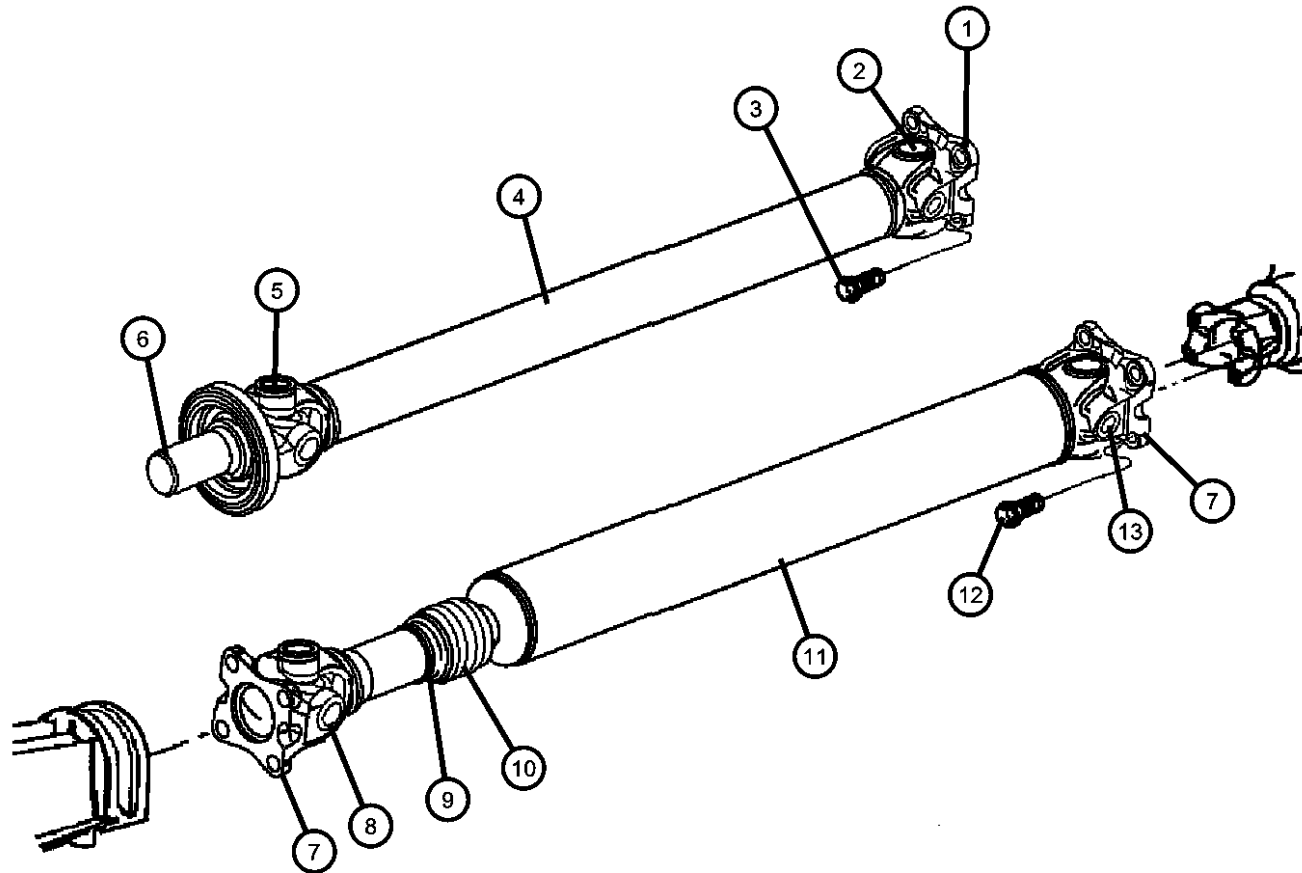
Propeller Shaft, 2 Wheel Drive..... Fig. 16 - 110  
 Propeller Shaft, 4 Wheel Drive..... Fig. 16 - 120



**016-100**  
Propeller Shaft



**Propeller Shaft,2 Wheel Drive  
Figure 16-110**



ITEM	PART NUMBER	QTY	LINE	SERIES	BODY	ENGINE	TRANS	TRIM	DESCRIPTION
Note:Sales Codes [DBB]=Transmissions - All Manual [DG6]=Transmission - 4-Speed Automatic, 42RL [ED0]=Engines - All 2.2, 2.5, 2.4L 4 Cylinder Gas [EK0]=Engines - All 3.7L 6 Cylinder Gas									
1	05103372AA	1	T			EK0	DG6		FLANGE, Drive ShaftRear
2	05015694AA	2	T			EK0	DG6		U JOINTFront or Rear
3	06506497AA	4	T				DG6		BOLT, Hex Head, M12, Drive Shaft to Rear Axle Flange, Mounting
4	52853118AC	1	T			EK0	DG6		SHAFT, Drive, Rear 1-Piece
5	J3207886	8	T			EK0	DG6		RING, U Joint
6	05103210AA	1	T			EK0	DG6		YOKE, Drive Shaft
7									FLANGE, Drive Shaft
	05103372AA	2	T			ED0	DBB		Front or Rear
		2	T			EK0	DBB		Front or Rear
8	J3207886	8	T			EK0	DBB		RING, U Joint
		8	T			ED0	DBB		
9									CLAMP, Boot
	05013625AA	1	T			ED0	DBB		Large
		1	T			EK0	DBB		Large
	05013626AA	1	T			ED0	DBB		Small
		1	T			EK0	DBB		Small
10									BOOT, Drive Shaft
	05083001AA	1	T			ED0	DBB		
		1	T			EK0	DBB		
11									SHAFT, Drive, Rear 1-Piece
	52853139AC	1	T			ED0	DBB		
	52853140AC	1	T			EK0	DBB		
12	06506497AA	8	T				DBB		BOLT, Hex Head, M12, Drive Shaft to Rear Axle Flange, Front or Rear
13									U JOINT
	05015694AA	2	T			ED0	DBB		Front or Rear
		2	T			EK0	DBB		Front or Rear

**LIBERTY (KJ)**

SERIES      LINE  
P = LIMITED    J = JEEP - 4WD  
H = SPORT      U = JEEP - 4WD (RHD)  
M = RENEGADE   T = JEEP - 2WD

BODY  
74 = SPORT UTILITY 4-DR

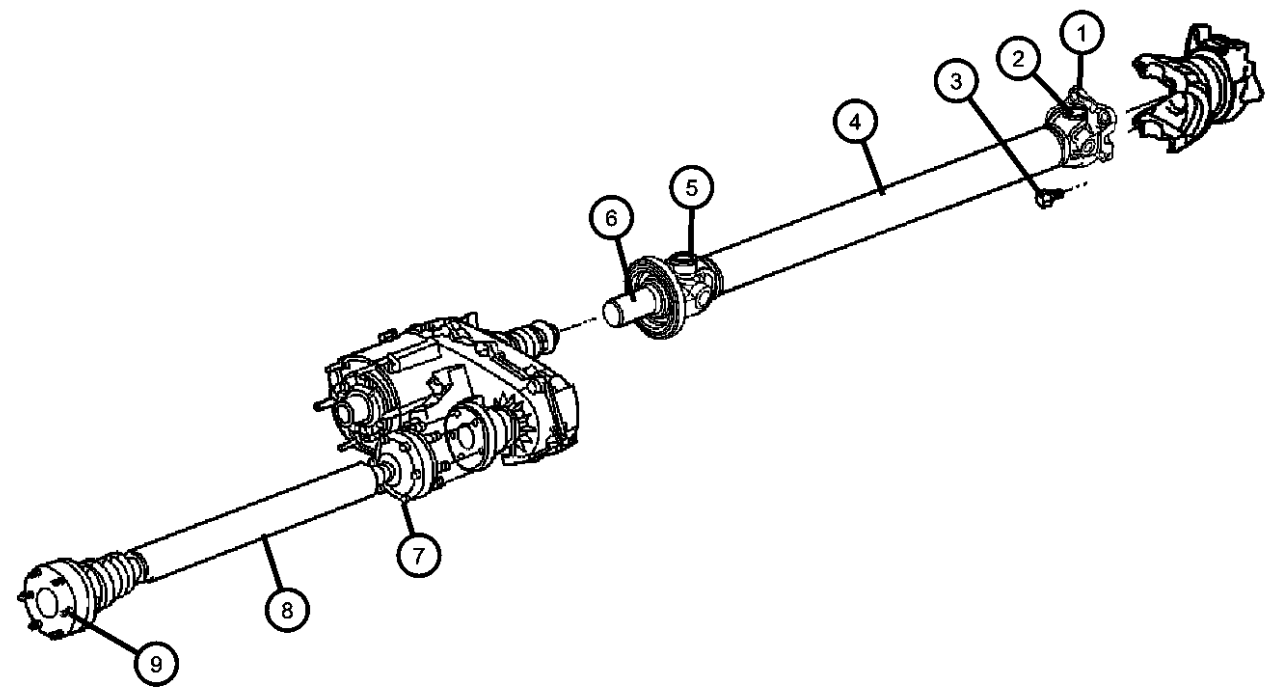
ENGINE  
ED1 = Engine - 2.4L 4 Cyl DOHC 16v SMPI  
EKG = Engine - 3.7L V6  
ENR = Engine - 2.8L 4 Cyl Turbo Diesel  
ENO = 4CYL turbo diesel

TRANSMISSION  
DGQ = Transmission-5-Spd Automatic 5-45RFE  
DG6 = Transmission-4-Spd. Automatic, 42RLE  
DEH = Transmission-6-Speed Manual, NSG370  
DG0 = Transmissions - All Automatic  
DBB = ALL MANUAL TRANSMISSIONS

AR = use ase required - = Non illustrated part

2005 KJ

**Propeller Shaft,4 Wheel Drive  
Figure 16-120**



ITEM	PART NUMBER	QTY	LINE	SERIES	BODY	ENGINE	TRANS	TRIM	DESCRIPTION
Note:Sales Codes									
Note:Items 7,9 that one part number consists of 2 bolts and 1 strap									
[DBB]=Transmissions - All Manual									
[DG0]= Transmissions - All Automatic									
[DG6]=Transmission - 4-Speed Automatic, 42RL									
[DHE]=Transfer Case - Manual Shift-On-The-Fly									
[DHN]=Command -Trac Part Time 4 Wheel Drive System									
[DHP]=Selec-Trac Full Time 4 Wheel Drive System									
[DRA]=Axle - Rear, Corporate 8.25									
[ED0]=Engines - All 2.2L,2.5L,2.4L 4 CYL GA									
[EK0]=Engines - All 3.7L 6 Cylinder Gas									
[EN0]=Engines - All 4/5 Cylinder Turbo Diesel									
1									FLANGE, Drive Shaft
	05103372AA	1	J, U			EK0	DG6		[DHN,DHP], Rear
		1	J, U			EN0	DG0		[DRA,DHP], Rear
		1	J, U			EN0	DBB		[DHE,DRA], Rear
		1	J, U			ED0	DBB		[DRA], Rear
		1	J, U			EK0	DBB		[DHE], Rear
2									U JOINT
	05014733AA	1	J, U			EN0	DBB		[DHE,DRA], Front
		1	J, U			EK0	DBB		[DHE], Front
	05015694AA	2	J, U			EK0	DG6		[DHN,DHP], Front or Rear
		2	J, U			EN0	DG0		[DRA,DHP], Front or Rear
		1	J, U			EN0	DBB		[DHE,DRA], Rear
		2	J, U			ED0	DBB		[DRA], Front or Rear
		1	J, U			EK0	DBB		[DHE], Rear
3	06506497AA	4	J, U						BOLT, Hex Head, M12, To Rear Axle Flange
4									SHAFT, Drive, Rear 1-Piece
	52853119AC	1	J, U			EK0	DG6		[DHN,DHP]
	52853130AD	1	J, U			EN0	DG0		[DRA,DHP]
	52853300AC	1	J, U			ED0	DBB		[DRA]
	52853357AC	1	J, U			EK0	DBB		[DHE]
	52853362AB	1	J, U			EN0	DBB		[DHE,DRA]
5									RING, U Joint
	J3207886	8	J, U			EK0	DG6		[DHN,DHP]

**LIBERTY (KJ)**

SERIES      LINE  
P = LIMITED      J = JEEP - 4WD  
H = SPORT      U = JEEP - 4WD (RHD)  
M = RENEGADE      T = JEEP - 2WD

BODY  
74 = SPORT UTILITY 4-DR

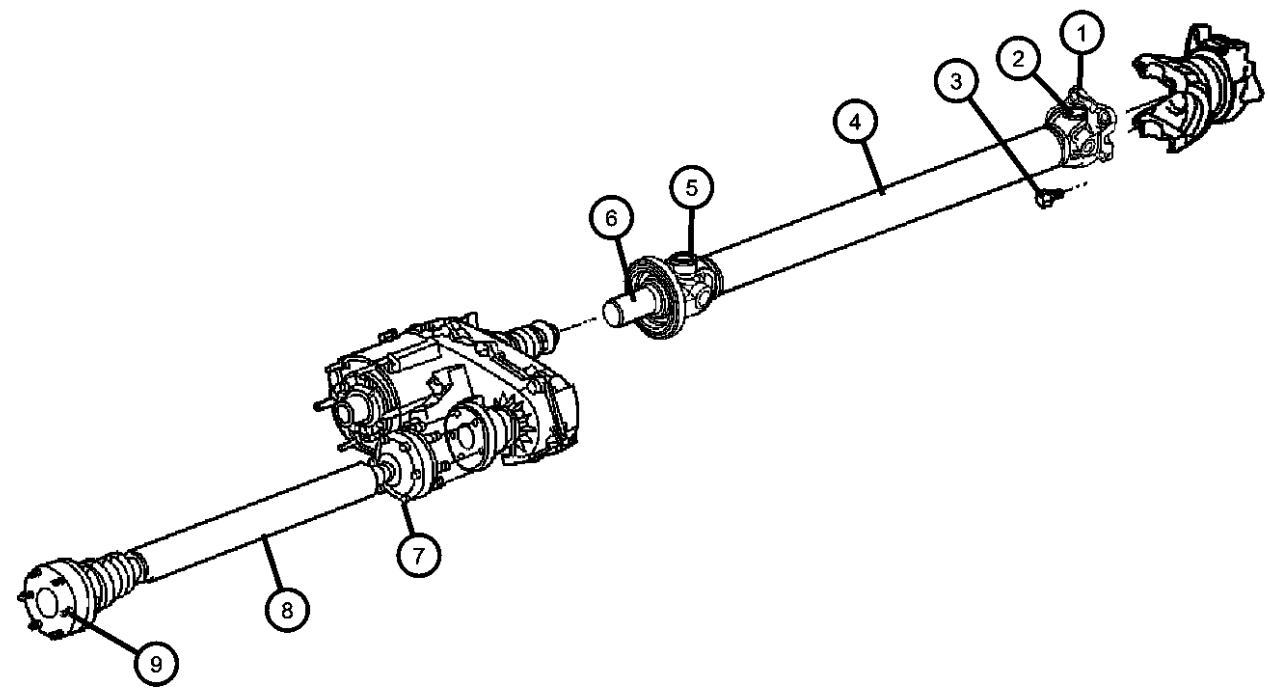
ENGINE  
ED1 = Engine - 2.4L 4 Cyl DOHC 16v SMPI  
EKG = Engine - 3.7L V6  
ENR = Engine - 2.8L 4 Cyl Turbo Diesel  
ENO = 4CYL turbo diesel

TRANSMISSION  
DGQ = Transmission-5-Spd Automatic 5-45RFE  
DG6 = Transmission-4-Spd. Automatic, 42RLE  
DEH = Transmission-6-Speed Manual, NSG370  
DG0 = Transmissions - All Automatic  
DBB = ALL MANUAL TRANSMISSIONS

AR = use ase required - = Non illustrated part

2005 KJ

**Propeller Shaft,4 Wheel Drive  
Figure 16-120**



ITEM	PART NUMBER	QTY	LINE	SERIES	BODY	ENGINE	TRANS	TRIM	DESCRIPTION
		8	J, U			EN0	DG0		[DRA,DHP]
		4	J, U			EN0	DBB		[DHE,DRA]
		8	J, U			ED0	DBB		[DRA]
		4	J, U			EK0	DBB		[DHE]
6									YOKE, Drive Shaft
	05014043AA	1	J, U			EN0	DBB		[DHE,DRA]
		1	J, U			EK0	DBB		[DHE]
	05069408AA	1	J, U			ED0	DBB		[DRA]
	05093961AB	1	J, U			EK0	DG6		[DHN,DHP]
	05143207AA	1	J, U			EN0	DG0		[DRA,DHP]
7									BOLT AND WASHER, Part Number Has 1 strap and 2 Bolts To Transfer Case Yoke
	05015109AA	3	J, U			EN0	DBB		To Transfer Case Yoke
		3	J, U			EN0	DG0		To Transfer Case Yoke
		3	J, U			EK0	DBB, DG6		To Transfer Case Yoke
		3	J, U			ED0	DBB		To Transfer Case Yoke
8									SHAFT, Drive, Front
	52111591AB	1	J, U			EN0	DBB		
	52111593AB	1	J, U			EN0	DG0		
	52111596AB	1	J, U			EK0	DBB, DG6		
	52853299AB	1	J, U			ED0	DBB		
9									BOLT AND WASHER, Part Number Has 1 strap and 2 Bolts To Front Axle Yoke
	05015996AA	3	J, U			EN0	DBB		To Front Axle Yoke
		3	J, U			EN0	DG0		To Front Axle Yoke
		3	J, U			EK0	DBB, DG6		To Front Axle Yoke
		3	J, U			ED0	DBB		To Front Axle Yoke

**LIBERTY (KJ)**

SERIES      LINE  
P = LIMITED    J = JEEP - 4WD  
H = SPORT      U = JEEP - 4WD (RHD)  
M = RENEGADE   T = JEEP - 2WD

BODY  
74 = SPORT UTILITY 4-DR

ENGINE  
ED1 = Engine - 2.4L 4 Cyl  
DOHC 16v SMPI  
EKG = Engine - 3.7L V6  
ENR = Engine - 2.8L 4 Cyl  
Turbo Diesel  
ENO = 4CYL turbo diesel

TRANSMISSION  
DGQ = Transmission-5-Spd Automatic  
5-45RFE  
DG6 = Transmission-4-Spd.  
Automatic, 42RLE  
DEH = Transmission-6-Speed Manual,  
NSG370  
DG0 = Transmissions - All Automatic  
DBB = ALL MANUAL  
TRANSMISSIONS

AR = use ase required   - = Non illustrated part

2005 KJ



# Group - 17

## Rear Suspension

### Group - 17 Rear Suspension

Group-Fig. No.

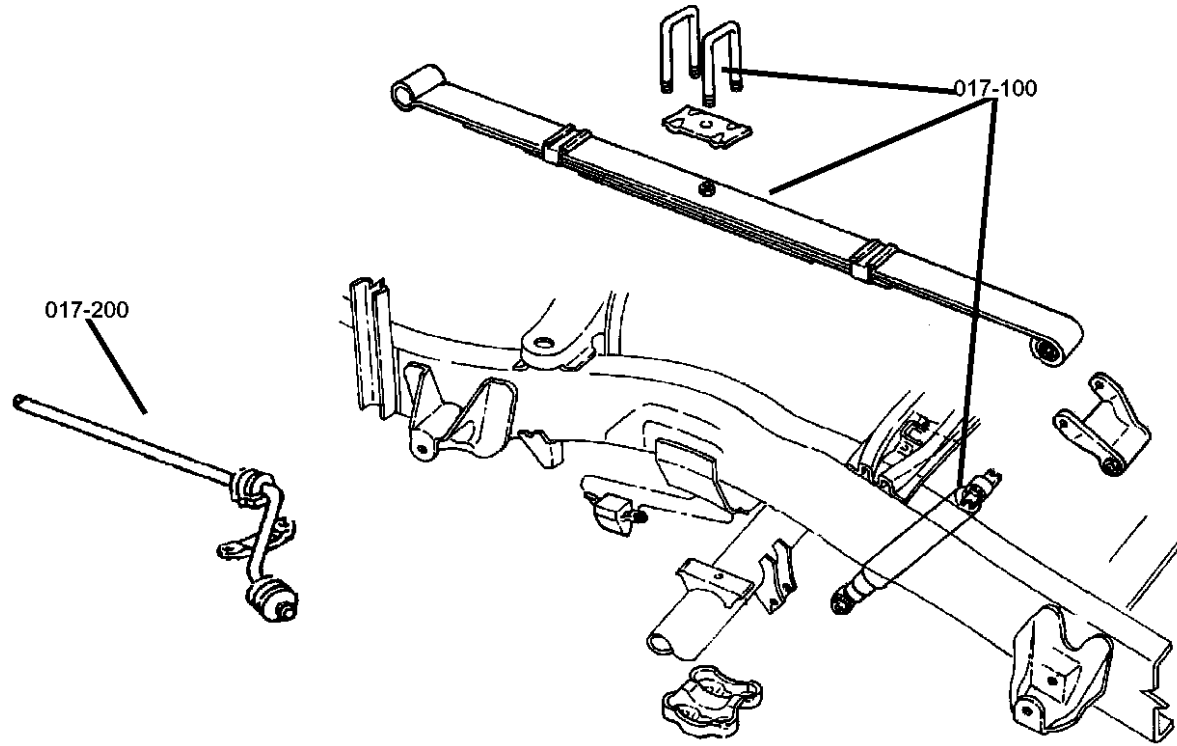
Illustration Title

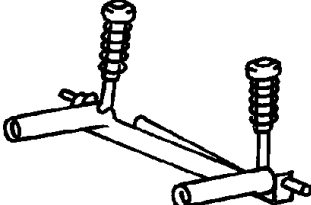
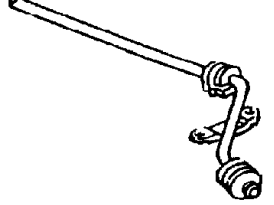
#### Rear Suspension

Suspension,Rear and Shock .....Fig. 17 - 110

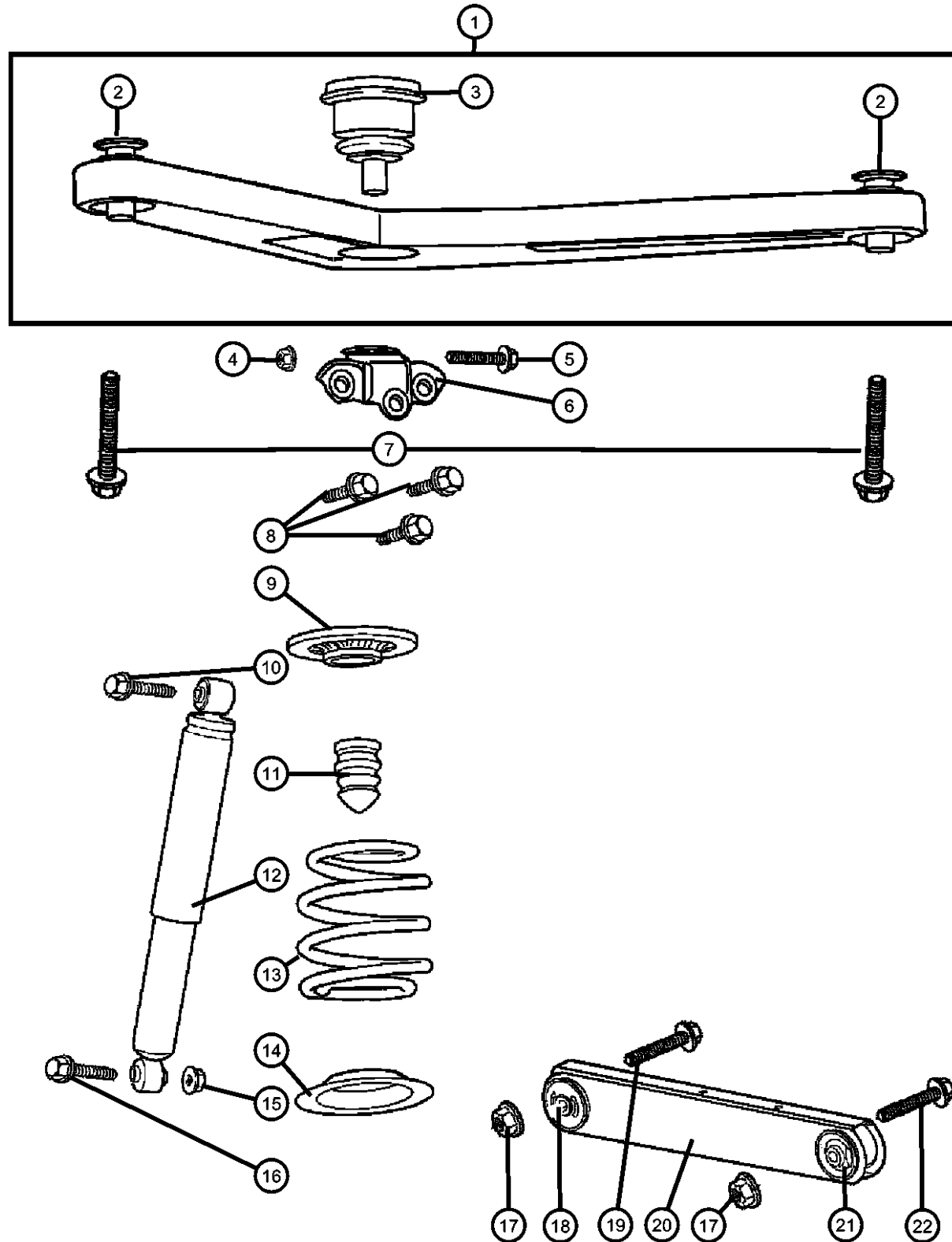
#### Rear Stabilizer

Stabilizer Bar,Rear .....Fig. 17 - 210



<p><b>017-100</b> Rear Suspension</p> 	<p><b>017-200</b> Rear Stabilizer</p> 		
--	---	--	--

Suspension,Rear and Shock  
Figure 17-110



ITEM	PART NUMBER	QTY	LINE	SERIES	BODY	ENGINE	TRANS	TRIM	DESCRIPTION
------	-------------	-----	------	--------	------	--------	-------	------	-------------

Note:Sales Codes;

[ZCT] Through [ZRV] = Spring Sales Codes will be found on Vehicle Identification Number [VIN] Sales Code Listing

1	52088901AD	1							ARM, Upper Control, Rear, Includes Item 2
2	52088425	2							BUSHING, Control Arm
3	52088647AB	1							BALL JOINT, Upper Control Arm
4	06503711	1							NUT, Hex Flange, M12x1.75, Ball Joint to Bracket, Mounting
5	06503610	2							BOLT, Hex Flange Head, M12-1.75x62.0, UCA to Axle Bracket, Mounting
6	52128586AA	1							BRACKET, Ballstud
7	06504748	2							SCREW, Hex Flange Head, M12x1.75x117, UCA to Body, Mounting
8	06505445AA	3							BOLT
9	52088707AA	2							ISOLATOR, SpringUpper
10	06506147AA	2							SCREW, Hex Flange Head, M12x1.75x80, Shock Mounting, Upper
11	52088705AC	2							BUMPER, JounceUpper
12	52088673AE	2							SHOCK ABSORBER, Suspension, Rear
13	0SG23161								Mopar V-Line Alternative Part
									SPRING, Suspension, Rear
	52128869AA	1							[ZCT,ZRT]
	52128870AA	1							[ZCU,ZRU]
	52128871AA	1							[ZCV,ZRV]
	52128872AA	1							[ZCW,ZRW]
14	52128524AA	2							ISOLATOR, SpringLower
15	06502697	2							NUT, Hex Flange Lock, M12x1.75, Shock Mounting, Lower
16	06505935AA	2							SCREW, Shock Mounting, Lower
17									NUT, M14X2
	06102251AA	2							LCA to Axle
		2							LCA to Body
18	52129094AA	2							BUSHING, Control Arm

LIBERTY (KJ)

SERIES LINE  
P = LIMITED J = JEEP - 4WD  
H = SPORT U = JEEP - 4WD (RHD)  
M = RENEGADE T = JEEP - 2WD

BODY  
74 = SPORT UTILITY 4-DR

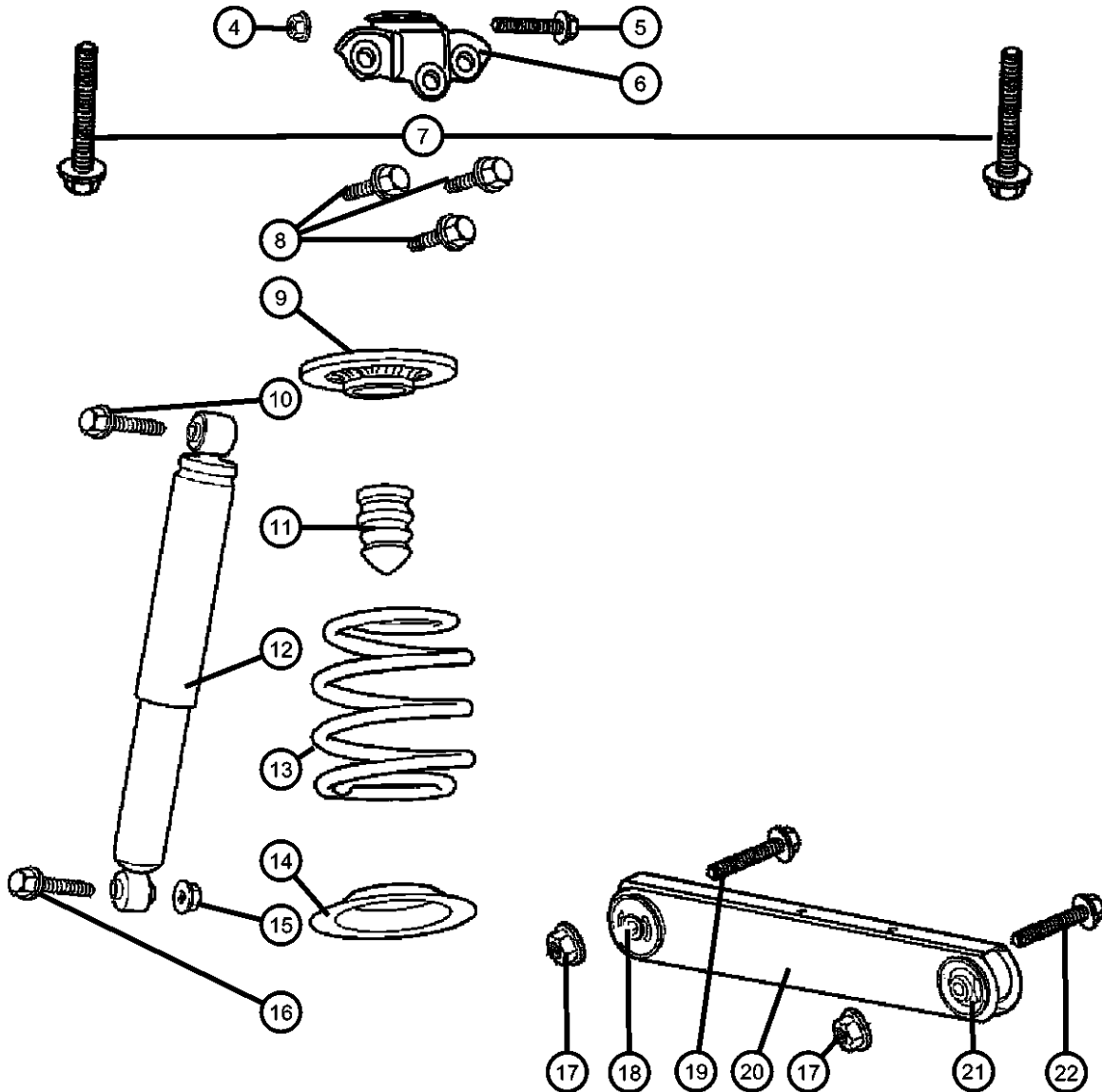
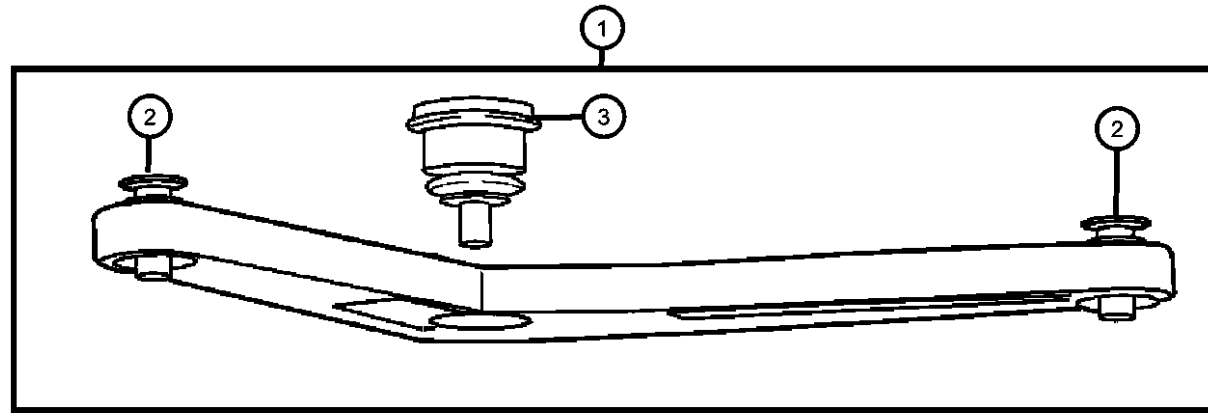
ENGINE  
ED1 = Engine - 2.4L 4 Cyl DOHC 16v SMPI  
EKG = Engine - 3.7L V6  
ENR = Engine - 2.8L 4 Cyl Turbo Diesel  
ENO = 4CYL turbo diesel

TRANSMISSION  
DGQ = Transmission-5-Spd Automatic 5-45RFE  
DG6 = Transmission-4-Spd. Automatic, 42RLE  
DEH = Transmission-6-Speed Manual, NSG370  
DG0 = Transmissions - All Automatic  
DBB = ALL MANUAL TRANSMISSIONS

AR = use ase required - = Non illustrated part

2005 KJ

Suspension,Rear and Shock  
Figure 17-110



ITEM	PART NUMBER	QTY	LINE	SERIES	BODY	ENGINE	TRANS	TRIM	DESCRIPTION
19	06504408	2							BOLT, LCA to Axle, Mounting
20	52128866AA	2							ARM, Lower Control, Rear, Includes Items 18,21
21	52128864AA	2							BUSHING, Control Arm, LCA to Body, Mounting
22	06506033AA	2							BOLT, Hex Flange Head, LCA to Body, Mounting

LIBERTY (KJ)

SERIES      LINE  
P = LIMITED      J = JEEP - 4WD  
H = SPORT      U = JEEP - 4WD (RHD)  
M = RENEGADE      T = JEEP - 2WD

BODY  
74 = SPORT UTILITY 4-DR

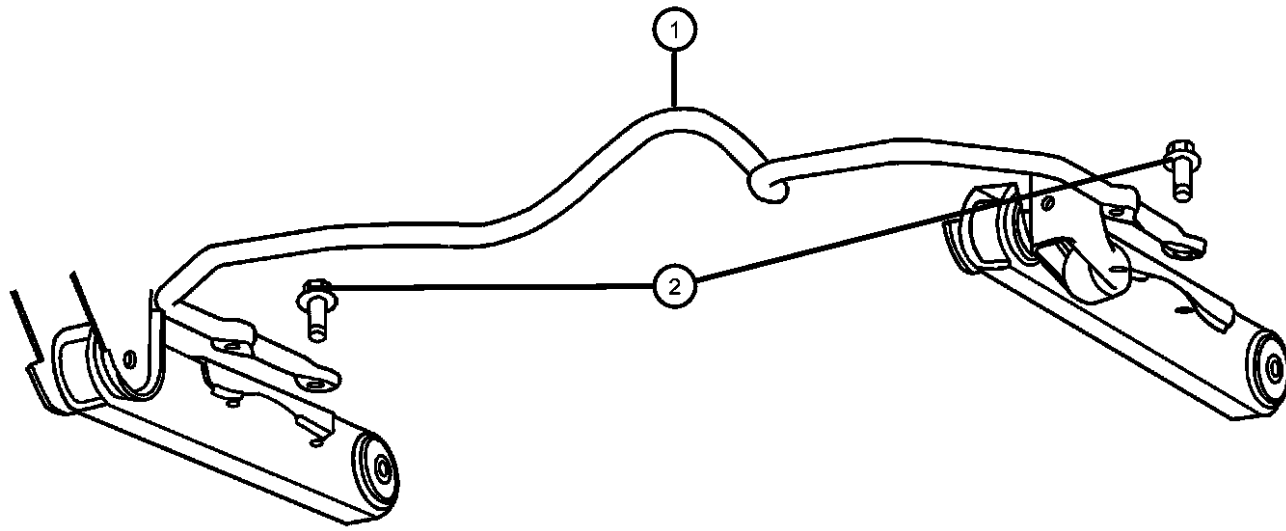
ENGINE  
ED1 = Engine - 2.4L 4 Cyl DOHC 16v SMPI  
EKG = Engine - 3.7L V6  
ENR = Engine - 2.8L 4 Cyl Turbo Diesel  
ENO = 4CYL turbo diesel

TRANSMISSION  
DGQ = Transmission-5-Spd Automatic 5-45RFE  
DG6 = Transmission-4-Spd. Automatic, 42RLE  
DEH = Transmission-6-Speed Manual, NSG370  
DG0 = Transmissions - All Automatic  
DBB = ALL MANUAL TRANSMISSIONS

AR = use ase required - = Non illustrated part

**Stabilizer Bar,Rear  
Figure 17-210**

ITEM	PART NUMBER	QTY	LINE	SERIES	BODY	ENGINE	TRANS	TRIM	DESCRIPTION
1	52088677AA	1							STABILIZER BAR, Rear Suspension
2	06101844	4							SCREW AND WASHER, Hex Head, M12x1.75x50, Stabilizer Bar to LCA, Mounting



**LIBERTY (KJ)**

SERIES	LINE
P = LIMITED	J = JEEP - 4WD
H = SPORT	U = JEEP - 4WD (RHD)
M = RENEGADE	T = JEEP - 2WD

BODY  
74 = SPORT UTILITY 4-DR

ENGINE  
ED1 = Engine - 2.4L 4 Cyl DOHC 16v SMPI  
EKG = Engine - 3.7L V6  
ENR = Engine - 2.8L 4 Cyl Turbo Diesel  
ENO = 4CYL turbo diesel

TRANSMISSION  
DGQ = Transmission-5-Spd Automatic 5-45RFE  
DG6 = Transmission-4-Spd. Automatic, 42RLE  
DEH = Transmission-6-Speed Manual, NSG370  
DG0 = Transmissions - All Automatic  
DBB = ALL MANUAL TRANSMISSIONS

AR = use ase required - = Non illustrated part

2005 KJ

# Group - 19

## Steering

### Group - 19 Steering

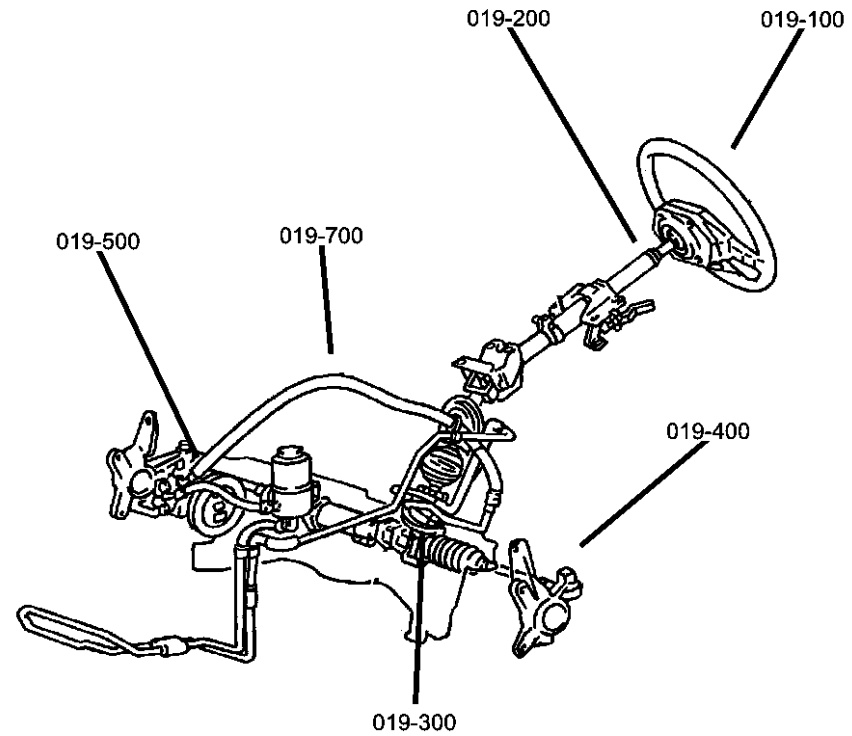


Illustration Title

Group-Fig. No.

#### Steering Wheel

Steering Wheel ..... Fig. 19 - 110

#### Steering Column

Column,Steering ..... Fig. 19 - 210

#### Steering Gear

Gear Assembly,Steering,Rack and Pinion ..... Fig. 19 - 310

#### Power Steering Pump

Pump,Power Steering [2.4L ED0] ..... Fig. 19 - 510

Pump,Power Steering [2.8L EN0] ..... Fig. 19 - 520

Pump,Power Steering [3.7L EK0] ..... Fig. 19 - 530


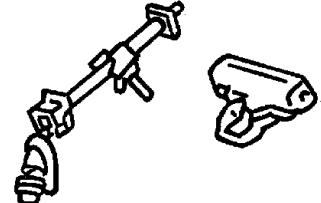
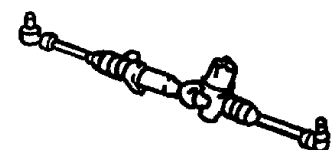
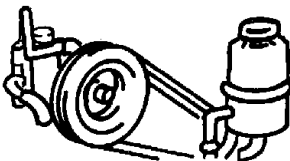
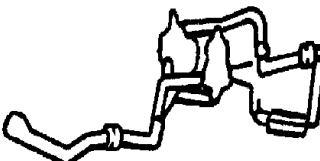
#### Power Steering Hoses

Hoses and Reservoir, [LHD, 2.4L ED0 2.8L EN0] ..... Fig. 19 - 710

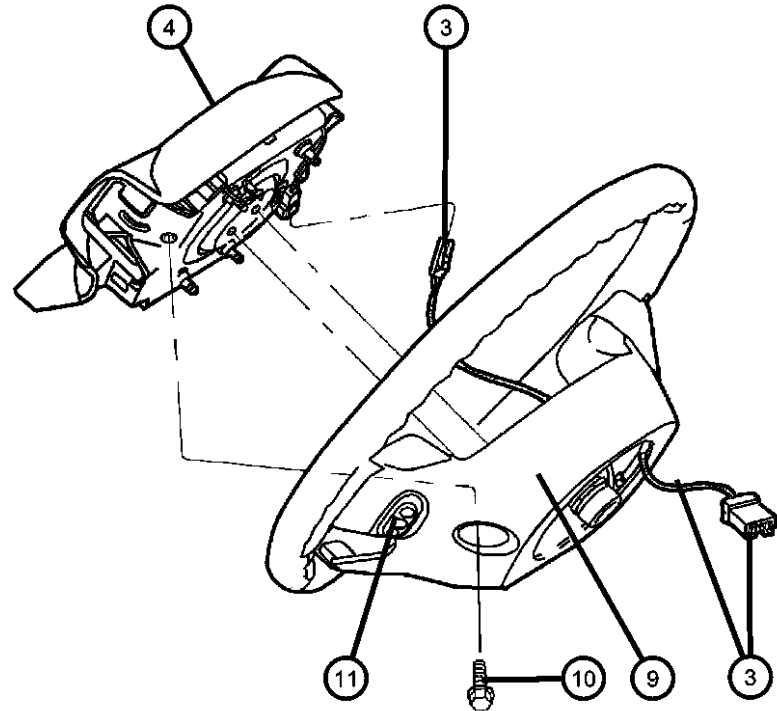
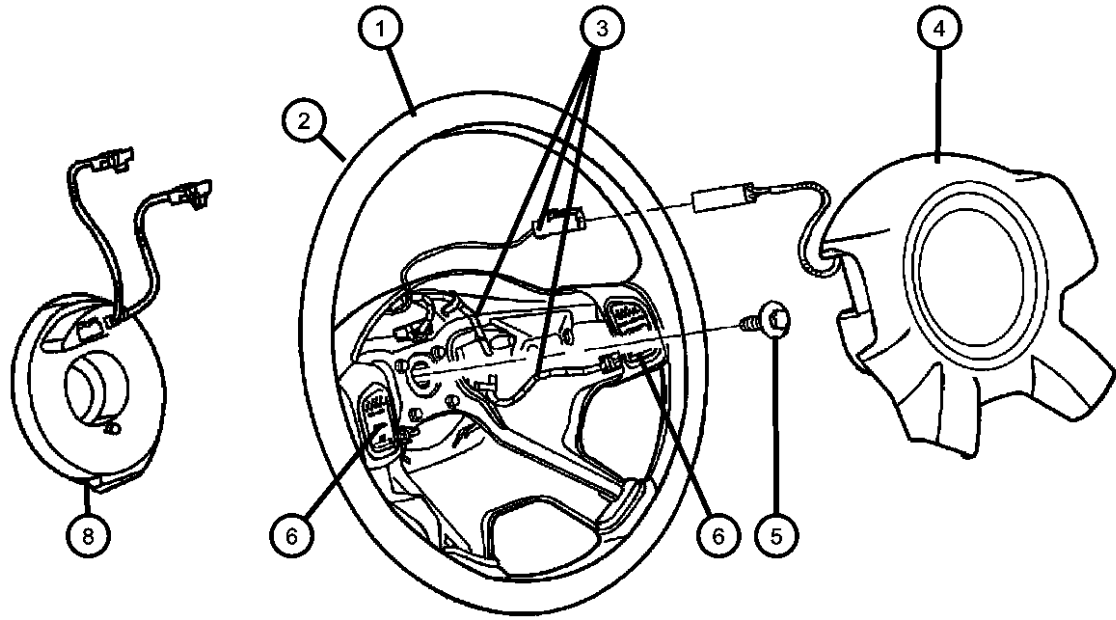
Hoses and Reservoir, [RHD, 2.4L ED0 2.8L EN0] ..... Fig. 19 - 720

Hoses and Reservoir, [LHD, 3.7L EK0] ..... Fig. 19 - 730

Hoses and Reservoir [RHD, 3.7L EK0] ..... Fig. 19 - 740

<p><b>019-100</b> Steering Wheel</p> 	<p><b>019-200</b> Steering Column</p> 	<p><b>019-300</b> Steering Gear</p> 	<p><b>019-500</b> Power Steering Pump</p> 
<p><b>019-700</b> Power Steering Hoses</p> 			

Steering Wheel  
Figure 19-110



ITEM	PART NUMBER	QTY	LINE	SERIES	BODY	ENGINE	TRANS	TRIM	DESCRIPTION
1	0UR71DX9AC	1							WHEEL, Steering
2	0UR671DHAD	1		M					WHEEL, Steering, Leather
		1		P					[D5]
	0UR671J8AD	1		M					[J1]
		1		P					[J3]
	0UR671X9AD	1		H					[00]
3									WIRING, Steering Wheel
	56050820AB	1		P					With Cruise
		1		H					With Cruise
		1		M					With Cruise
	56050821AB	1		H					With Radio
		1		M					With Radio
		1		P					With Radio
	56050822AB	1							Wheel Base
4									AIR BAG, Driver
	5JS061DHAD	1		M, P					D5
	5JS061J8AD	1		M, P					J3
	5JS061X9AD	1		H					O0
5	06505656AA	1							SCREW, Hex Flange Head, M10x1.5x35., Steering Wheel to Column, Mounting
6									SWITCH, Speed Control
	1AZ50DX9AA	1		H					Cancel Switch, Right
	1AZ51DX9AA	1		H					On/Off Switch, Left
-7	5GN02DX9AA	1							BEZEL, Steering Wheel
8	56010688AA	1							CLOCKSPRING
9									COVER, Steering Wheel Back
	05083981AA	1							
	05086215AA	1		H, M					
		1		P					
10	06102141AA	1							SCREW, M6x1x25
11									SWITCH, Remote Radio

LIBERTY (KJ)

SERIES LINE  
P = LIMITED J = JEEP - 4WD  
H = SPORT U = JEEP - 4WD (RHD)  
M = RENEGADE T = JEEP - 2WD

BODY  
74 = SPORT UTILITY 4-DR

ENGINE  
ED1 = Engine - 2.4L 4 Cyl DOHC 16v SMPI  
EKG = Engine - 3.7L V6  
ENR = Engine - 2.8L 4 Cyl Turbo Diesel  
ENO = 4CYL turbo diesel

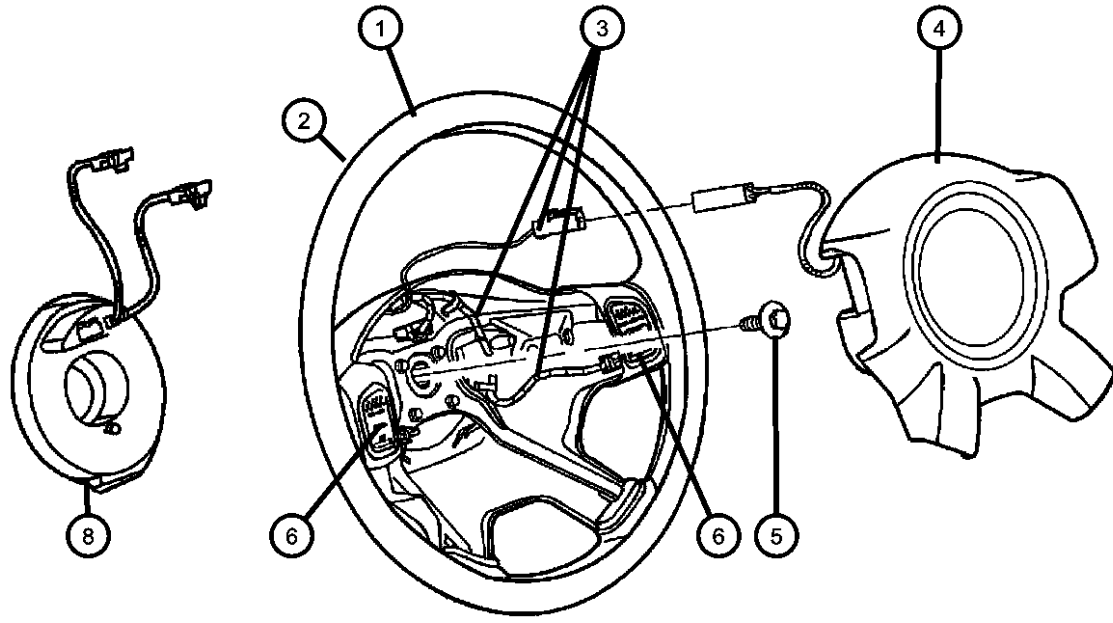
TRANSMISSION  
DGQ = Transmission-5-Spd Automatic 5-45RFE  
DG6 = Transmission-4-Spd. Automatic, 42RLE  
DEH = Transmission-6-Speed Manual, NSG370  
DG0 = Transmissions - All Automatic  
DBB = ALL MANUAL TRANSMISSIONS

AR = use ase required - = Non illustrated part

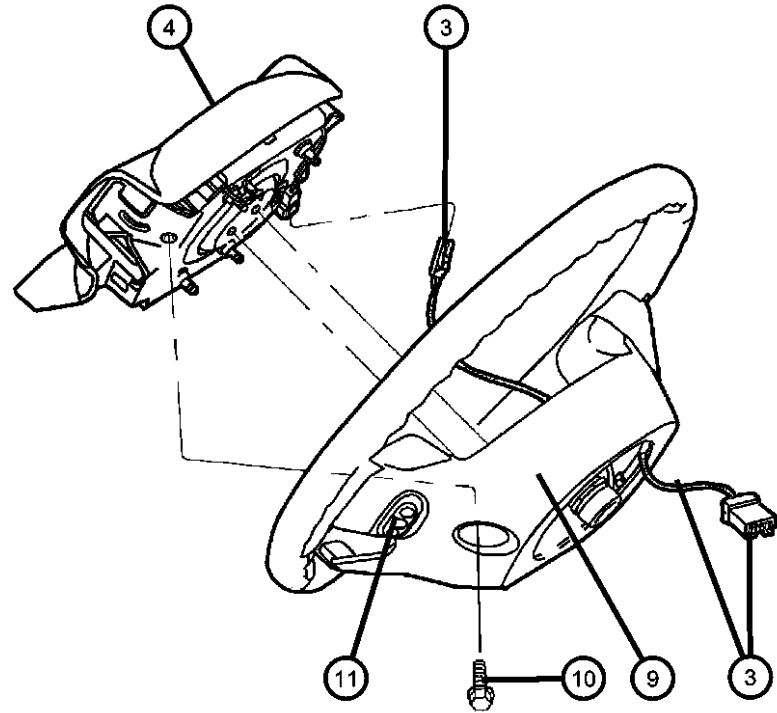
2005 KJ

Steering Wheel  
Figure 19-110

ITEM	PART NUMBER	QTY	LINE	SERIES	BODY	ENGINE	TRANS	TRIM	DESCRIPTION
------	-------------	-----	------	--------	------	--------	-------	------	-------------



	56042312AB	1		H					Right
		1		M					Right
		1		P					Right
	56042313AB	1		H					Left
		1		M					Left
		1		P					Left



LIBERTY (KJ)

SERIES	LINE
P = LIMITED	J = JEEP - 4WD
H = SPORT	U = JEEP - 4WD (RHD)
M = RENEGADE	T = JEEP - 2WD

BODY
74 = SPORT UTILITY 4-DR

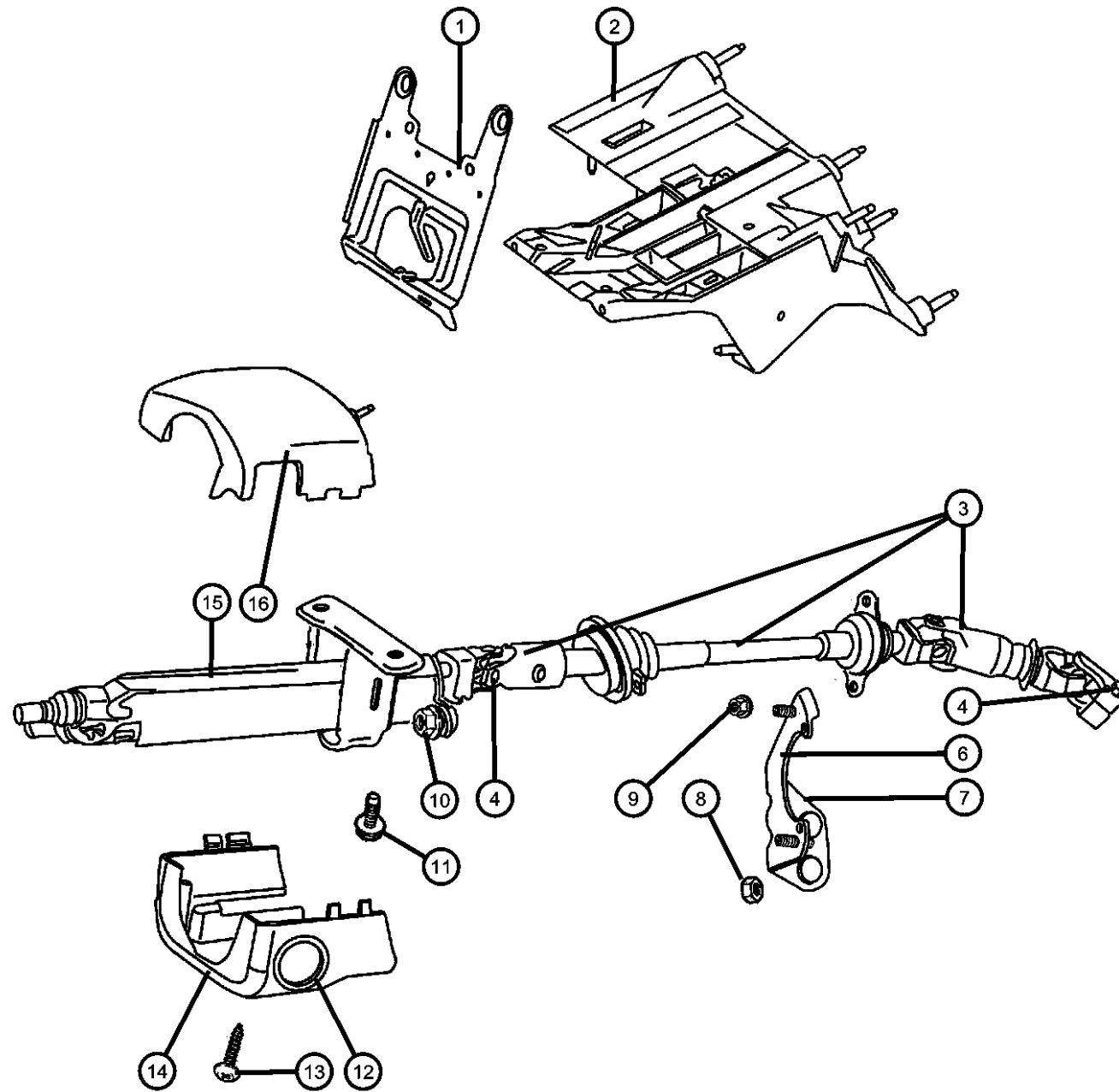
ENGINE
ED1 = Engine - 2.4L 4 Cyl DOHC 16v SMPI
EKG = Engine - 3.7L V6
ENR = Engine - 2.8L 4 Cyl Turbo Diesel
ENO = 4CYL turbo diesel

TRANSMISSION
DGQ = Transmission-5-Spd Automatic 5-45RFE
DG6 = Transmission-4-Spd. Automatic, 42RLE
DEH = Transmission-6-Speed Manual, NSG370
DG0 = Transmissions - All Automatic
DBB = ALL MANUAL TRANSMISSIONS

AR = use ase required - = Non illustrated part

2005 KJ

Column,Steering  
Figure 19-210



ITEM	PART NUMBER	QTY	LINE	SERIES	BODY	ENGINE	TRANS	TRIM	DESCRIPTION
Note:Sales Codes; [ABB]=European Equipment Group [DBB]=Transmissions - All Manual [DG0]=Transmissions - All Automatic [ED0]=Engines - All 2.2,2.5,2.4L 4 Cylinder Gas [EK0]= Engines - All 3.7L 6 Cylinder Gas [SUA]=Steering Column - Tilt									
1	55314992AA	1	J, T						BRACKET, Steering Column
	55315011AA	1	U						
2	55314987AA	1	J, T						BRACKET, Steering Column
	55314988AA	1	U						
3	55315022AE	1	J, T						SHAFT, Intermediate
	55315024AD	1	U			ED0, EK0			
	55315057AC	1	U			ENO			Upper
	55315058AA	1	U			ENO			Lower
4	06504926AA	2							SCREW, Hex Flange Head, M10x1.5x40
-5	06502808	2	U						SCREW, M6x1x25, Intermediate Shaft Bracket
6	55315003AB	1	J, T						BRACKET, Intermediate Shaft
7	55315009AA	1	U						BRACKET, Steering Column
8	06100048	2							NUT, Hex, M6x1.00
9	06100516	2							NUT, Hex Flange Lock, M6 Phosphate, Bearing to Bracket
10	06503182	2							NUT AND WASHER, Hex Lock Nut-Coned Teeth Washer, M8 x 1.25, Steering Column Lower, Mounting
11	06506128AA	2							SCREW AND WASHER, Hex Head, Steering Column Upper, Mounting
12	06506128AA	2							TRIM RING, Ignition Key Cylinder, (NOT REQUIRED)
13	06036381AA	2	U						SCREW AND WASHER, Pan Head

LIBERTY (KJ)

SERIES LINE  
P = LIMITED J = JEEP - 4WD  
H = SPORT U = JEEP - 4WD (RHD)  
M = RENEGADE T = JEEP - 2WD

BODY  
74 = SPORT UTILITY 4-DR

ENGINE  
ED1 = Engine - 2.4L 4 Cyl DOHC 16v SMPI  
EKG = Engine - 3.7L V6  
ENR = Engine - 2.8L 4 Cyl Turbo Diesel  
ENO = 4CYL turbo diesel

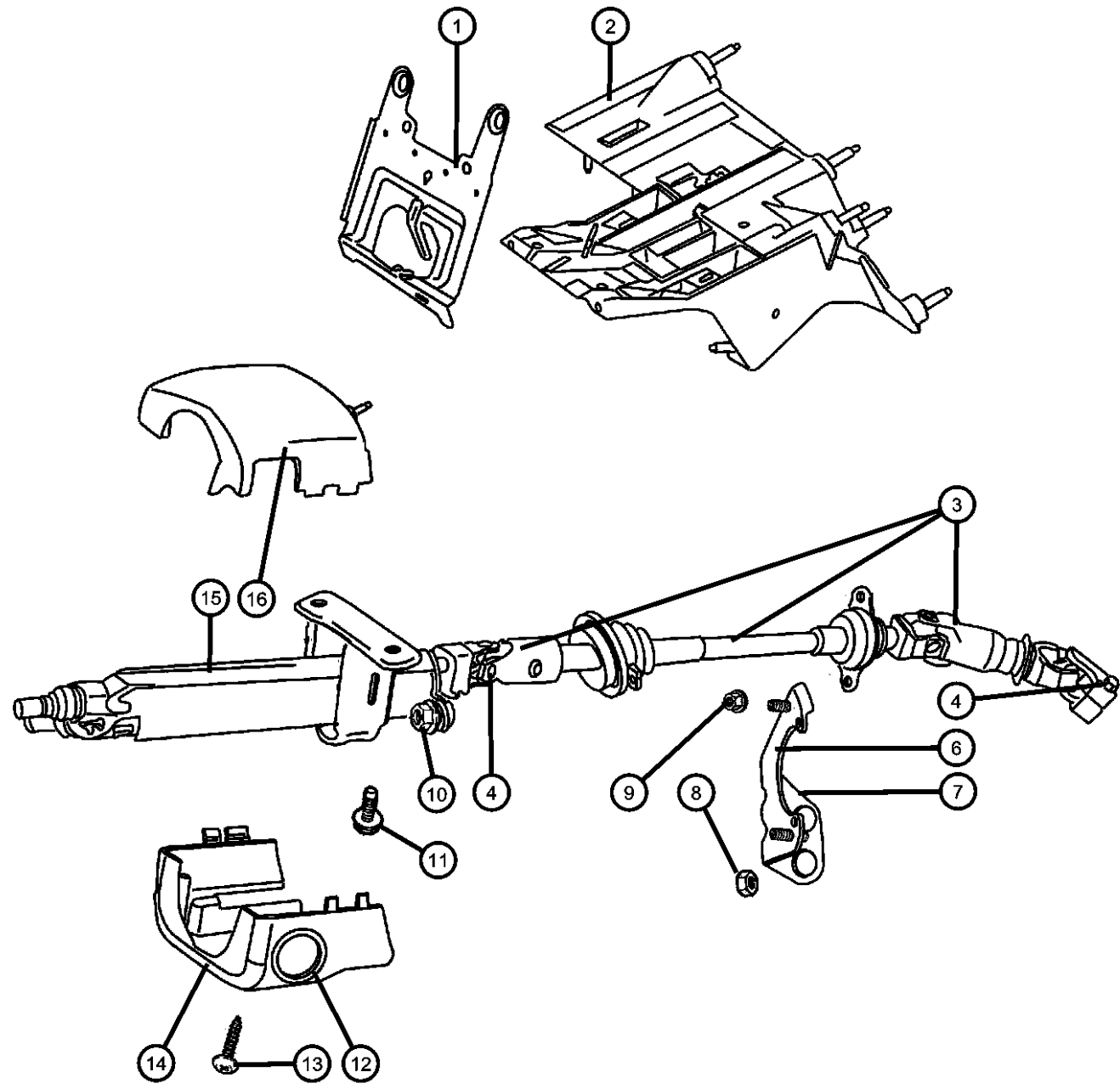
TRANSMISSION  
DGQ = Transmission-5-Spd Automatic 5-45RFE  
DG6 = Transmission-4-Spd. Automatic, 42RLE  
DEH = Transmission-6-Speed Manual, NSG370  
DG0 = Transmissions - All Automatic  
DBB = ALL MANUAL TRANSMISSIONS

AR = use ase required - = Non illustrated part

2005 KJ



Column, Steering  
Figure 19-210



ITEM	PART NUMBER	QTY	LINE	SERIES	BODY	ENGINE	TRANS	TRIM	DESCRIPTION
		2	J, T						
14	5GE04DX9AB	1		H			DBB		SHROUD, Steering Column, Lower [00] Black, Lower
	5GE04XD-HAB	1		M, P			DBB		[J1] Slate Gray, Lower
	5GE04ZJ8AB	1		M, P			DBB		[D5] DK. Khaki, Lower
	5GE08DX9AB	1		H			DG0		[00] Black, Lower
	5GE08XD-HAB	1		M, P			DG0		[D5] Slate Gray, Lower
	5GE08ZJ8AB	1		M, P			DG0		[J1] DK Khaki, Lower
15	05057079AA	1					DG0		COLUMN, Steering, Tilt Without [ABB] & [DG0]
	05057080AA	1					DBB		Without [ABB] & [DBB]
	05057081AA	1					DG0		With [ABB] & [DG0]
	05057082AA	1					DBB		With [ABB] & [DBB]
16	5GK59DX9AD	1		H			DBB		SHROUD, Steering Column, Upper [00]
	5GK59XD-HAD	1		M, P			DBB		[D5], Upper
	5GK59ZJ8AD	1		M, P			DBB		[J1], Upper

LIBERTY (KJ)

SERIES      LINE  
P = LIMITED      J = JEEP - 4WD  
H = SPORT      U = JEEP - 4WD (RHD)  
M = RENEGADE      T = JEEP - 2WD

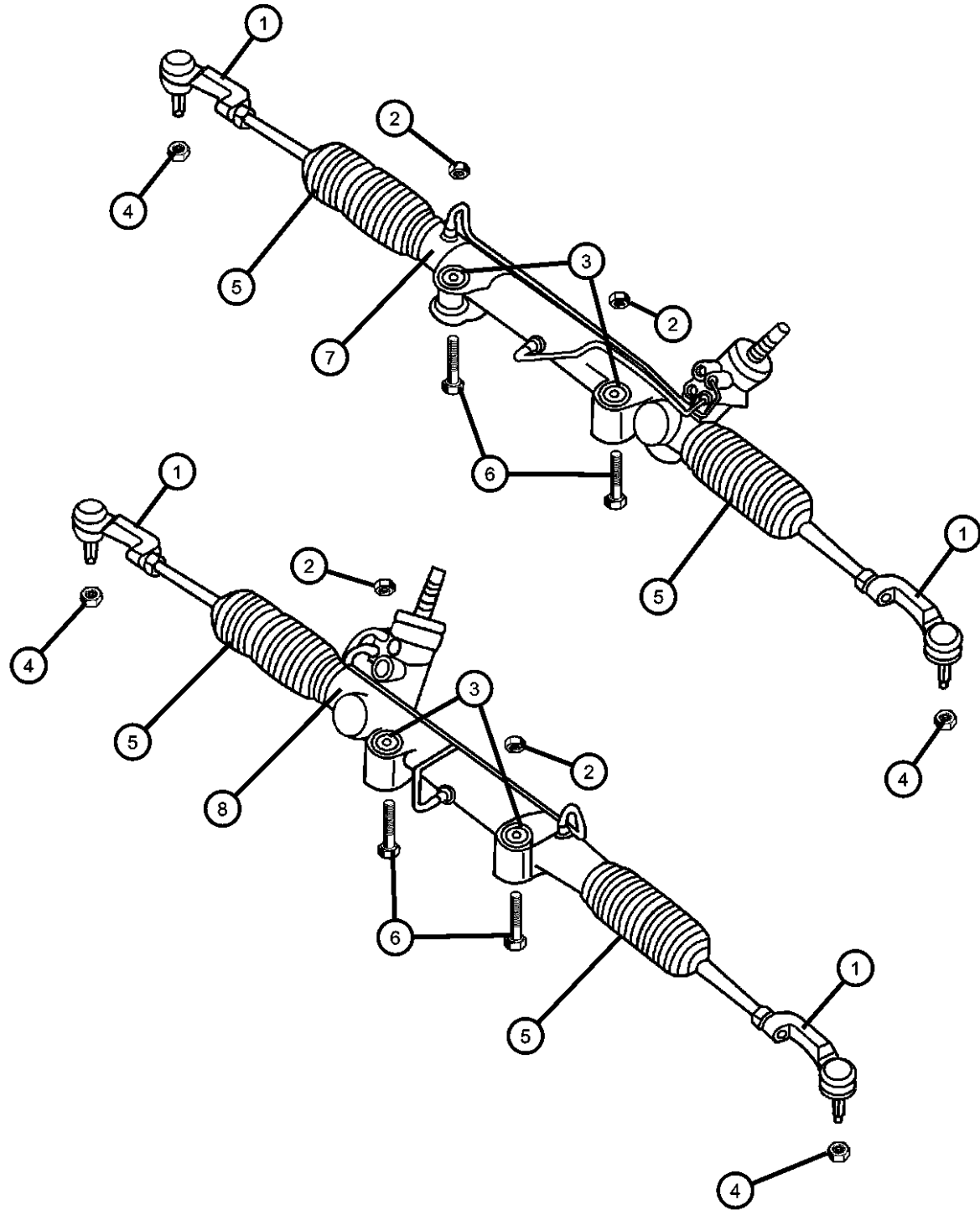
BODY  
74 = SPORT UTILITY 4-DR

ENGINE  
ED1 = Engine - 2.4L 4 Cyl DOHC 16v SMPI  
EKG = Engine - 3.7L V6  
ENR = Engine - 2.8L 4 Cyl Turbo Diesel  
ENO = 4CYL turbo diesel

TRANSMISSION  
DGQ = Transmission-5-Spd Automatic 5-45RFE  
DG6 = Transmission-4-Spd. Automatic, 42RLE  
DEH = Transmission-6-Speed Manual, NSG370  
DG0 = Transmissions - All Automatic  
DBB = ALL MANUAL TRANSMISSIONS

AR = use ase required - = Non illustrated part

**Gear Assembly,Steering,Rack and Pinion**  
**Figure 19-310**



ITEM	PART NUMBER	QTY	LINE	SERIES	BODY	ENGINE	TRANS	TRIM	DESCRIPTION
------	-------------	-----	------	--------	------	--------	-------	------	-------------

Note:Sales Codes

[ED0]=Engines - All 2.2, 2.5, 2.4L 4 Cylinder Gas

[EK0]=Engines - All 3.7L 6 Cylinder Gas

[EN0]=Engines - All 4/5 Cylinder Turbo Diesel

1									SOCKET PACKAGE, Tie Rod End, Outer
	05072444AA	1	J			EK0			Right
		1	U			EK0			Right
		1	T			EK0			Right
		1	J			EN0	DG0		Right
	05072445AA	1	U			EN0	DG0		Right
		1	J			ED0			Left
		1	U			ED0			Left
		1	T			ED0			Left
		1	J			EN0	DG0		Left
		1	U			EN0	DG0		Left
2									NUT
	06504707	2	U			EK0			Gear to Cradle
		2	T			EK0			Gear to Cradle
		2	J			ED0			Gear to Cradle
		2	U			ED0			Gear to Cradle
		2	T			ED0			Gear to Cradle
		2	J			EN0	DG0		Gear to Cradle
		2	U			EN0	DG0		Gear to Cradle
		2	J			EK0			
3									BUSHING, Steering Gear
	52038783AB	2	J			EK0			
		2	U			EK0			
		2	T			EK0			
		2	J			ED0			
		2	U			ED0			
		2	T			ED0			
		2	J			EN0	DG0		
		2	U			EN0	DG0		

**LIBERTY (KJ)**

SERIES      LINE  
P = LIMITED      J = JEEP - 4WD  
H = SPORT      U = JEEP - 4WD (RHD)  
M = RENEGADE      T = JEEP - 2WD

BODY  
74 = SPORT UTILITY 4-DR

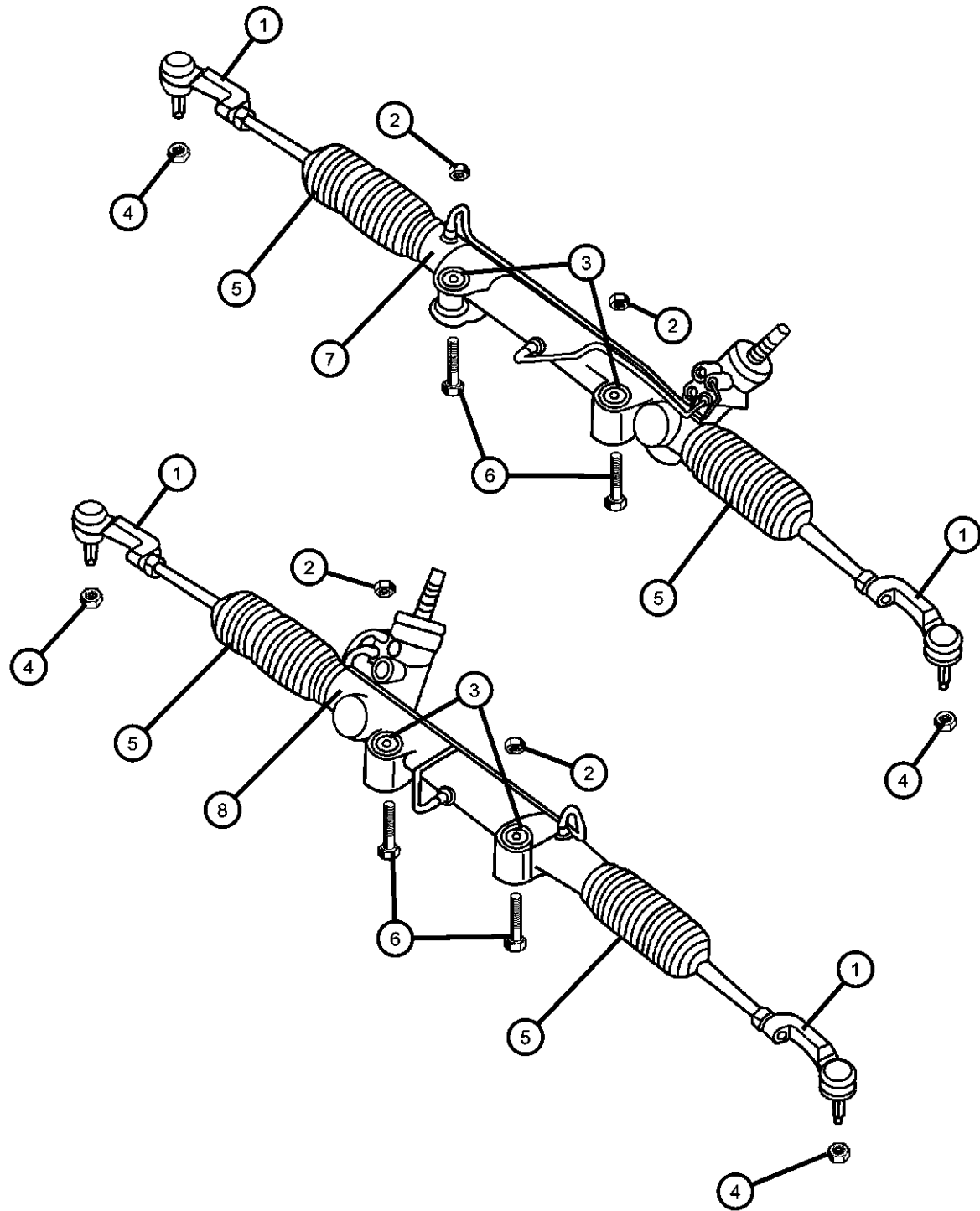
ENGINE  
ED1 = Engine - 2.4L 4 Cyl DOHC 16v SMPI  
EK0 = Engine - 3.7L V6  
ENR = Engine - 2.8L 4 Cyl Turbo Diesel  
ENO = 4CYL turbo diesel

TRANSMISSION  
DGQ = Transmission-5-Spd Automatic 5-45RFE  
DG6 = Transmission-4-Spd. Automatic, 42RLE  
DEH = Transmission-6-Speed Manual, NSG370  
DG0 = Transmissions - All Automatic  
DBB = ALL MANUAL TRANSMISSIONS

AR = use ase required - = Non illustrated part

2005 KJ

**Gear Assembly,Steering,Rack and Pinion**  
**Figure 19-310**



ITEM	PART NUMBER	QTY	LINE	SERIES	BODY	ENGINE	TRANS	TRIM	DESCRIPTION
4	06505623AA	2							NUT AND WASHER, Tie Rod, Mounting
5	06505623AA	2							BOOT KIT, Repair, (NOT SERVICED)
6									BOLT AND WASHER
	06506517AA	2	J			EK0			Gear to Cradle
		2	U			EK0			Gear to Cradle
		2	T			EK0			Gear to Cradle
		2	J			ED0			Gear to Cradle
		2	U			ED0			Gear to Cradle
		2	T			ED0			Gear to Cradle
		2	J			EN0	DG0		Gear to Cradle
		2	U			EN0	DG0		Gear to Cradle
7	52128517AE R0400260	1	J, T						RACK, Steering Gear Mopar Remanufactured Part
8									RACK, Steering Gear
	52128518AE	1	U			EK0			
	52128588AE	1	U			ED0, EN0			
-9	52128548AA	1	U			ED0, EN0			FITTING, Quick Connect

**LIBERTY (KJ)**

SERIES      LINE  
P = LIMITED      J = JEEP - 4WD  
H = SPORT      U = JEEP - 4WD (RHD)  
M = RENEGADE      T = JEEP - 2WD

BODY  
74 = SPORT UTILITY 4-DR

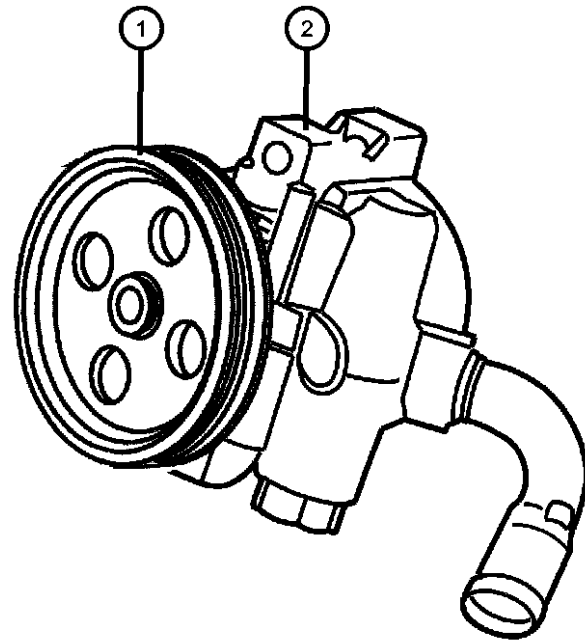
ENGINE  
ED1 = Engine - 2.4L 4 Cyl DOHC 16v SMPI  
EKG = Engine - 3.7L V6  
ENR = Engine - 2.8L 4 Cyl Turbo Diesel  
ENO = 4CYL turbo diesel

TRANSMISSION  
DGQ = Transmission-5-Spd Automatic 5-45RFE  
DG6 = Transmission-4-Spd. Automatic, 42RLE  
DEH = Transmission-6-Speed Manual, NSG370  
DG0 = Transmissions - All Automatic  
DBB = ALL MANUAL TRANSMISSIONS

AR = use ase required - = Non illustrated part

**Pump,Power Steering [2.4L ED0]  
Figure 19-510**

ITEM	PART NUMBER	QTY	LINE	SERIES	BODY	ENGINE	TRANS	TRIM	DESCRIPTION
Note: Sales Codes; [ED0]=Engines - All 2.2, 2.5, 2.4L 4 Cylinder Gas									
1	53031722AA	1				ED0			PULLEY, Power Steering Pump
2	52088711AE	1				ED0			PUMP, Power Steering
	05166226AA								Mopar Power Steering Fluid Pint
-3	06102097AA	3				ED0			BOLT
-4									BRACKET, Power Steering
	52089289AA	1	J			ED0			
		2	U			ED0			
		1	T			ED0			
-5									BRACKET, Power Steering
	52089289AA	1	J			ED0			
		1	T			ED0			
		1	U			ED0			



**LIBERTY (KJ)**

SERIES      LINE  
P = LIMITED      J = JEEP - 4WD  
H = SPORT      U = JEEP - 4WD (RHD)  
M = RENEGADE      T = JEEP - 2WD

BODY  
74 = SPORT UTILITY 4-DR

ENGINE  
ED1 = Engine - 2.4L 4 Cyl DOHC 16v SMPI  
EKG = Engine - 3.7L V6  
ENR = Engine - 2.8L 4 Cyl Turbo Diesel  
ENO = 4CYL turbo diesel

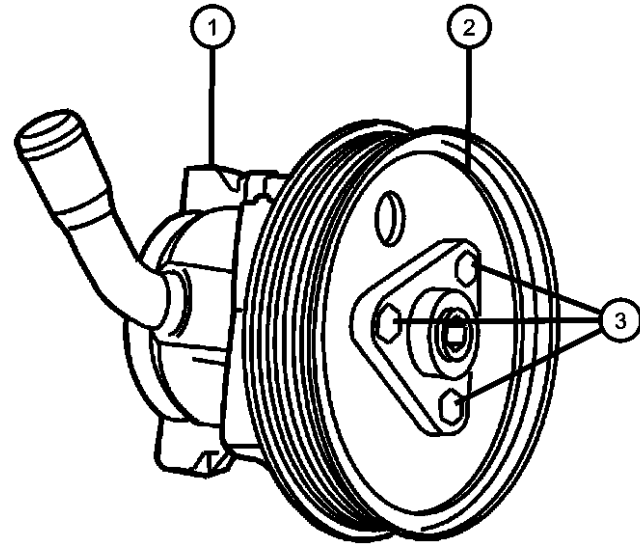
TRANSMISSION  
DGQ = Transmission-5-Spd Automatic 5-45RFE  
DG6 = Transmission-4-Spd. Automatic, 42RLE  
DEH = Transmission-6-Speed Manual, NSG370  
DG0 = Transmissions - All Automatic  
DBB = ALL MANUAL TRANSMISSIONS

AR = use ase required - = Non illustrated part

2005 KJ

**Pump,Power Steering [2.8L EN0]  
Figure 19-520**

ITEM	PART NUMBER	QTY	LINE	SERIES	BODY	ENGINE	TRANS	TRIM	DESCRIPTION
Note:Sales Codes; [DBB]=Transmissions - All Manual [EN0]=Engines - All 4/5 Cylinder Turbo Diesel									
1	52088712AC	1				EN0	DG0		PUMP, Power Steering, High Temperature Mopar Power Steering Fluid Pint
	05166226AA								
2	05072441AA	1				EN0	DG0		PULLEY, Power Steering Pump
3	05003554AA	5				EN0	DG0		SCREW
-4	05093935AA	1				EN0	DG0		BRACKET, Tensioner
-5	04864537	11				EN0	DG0		BOLT, 8Mx20
-6									BRACKET, Power Steering
	52089289AA	1	J			EN0			
		1	U			EN0			



**LIBERTY (KJ)**

SERIES      LINE  
P = LIMITED      J = JEEP - 4WD  
H = SPORT      U = JEEP - 4WD (RHD)  
M = RENEGADE      T = JEEP - 2WD

BODY  
74 = SPORT UTILITY 4-DR

ENGINE  
ED1 = Engine - 2.4L 4 Cyl DOHC 16v SMPI  
EKG = Engine - 3.7L V6  
ENR = Engine - 2.8L 4 Cyl Turbo Diesel  
ENO = 4CYL turbo diesel

TRANSMISSION  
DGQ = Transmission-5-Spd Automatic 5-45RFE  
DG6 = Transmission-4-Spd. Automatic, 42RLE  
DEH = Transmission-6-Speed Manual, NSG370  
DG0 = Transmissions - All Automatic  
DBB = ALL MANUAL TRANSMISSIONS

AR = use ase required - = Non illustrated part

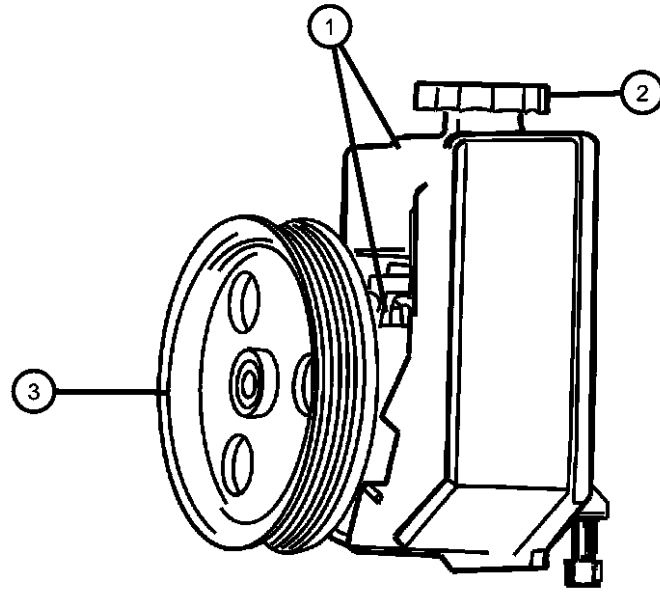
2005 KJ

**Pump,Power Steering [3.7L EK0]  
Figure 19-530**

ITEM	PART NUMBER	QTY	LINE	SERIES	BODY	ENGINE	TRANS	TRIM	DESCRIPTION
------	-------------	-----	------	--------	------	--------	-------	------	-------------

Note:Sales Codes:  
[EK0]=Engines - All 3.7L 6 Cylinder Gas

1	52088710AE 05166226AA	1				EK0			PUMP, Power Steering Mopar Power Steering Fluid Pint
2	52128513AA	1				EK0			CAP, Power Steering Reservoir
3	53010258AC	1				EK0			PULLEY, Power Steering Pump
-4	06102045AA	3				EK0			SCREW AND WASHER, Hex Head, Power Steering Pump Mounting



**LIBERTY (KJ)**

SERIES	LINE
P = LIMITED	J = JEEP - 4WD
H = SPORT	U = JEEP - 4WD (RHD)
M = RENEGADE	T = JEEP - 2WD

BODY  
74 = SPORT UTILITY 4-DR

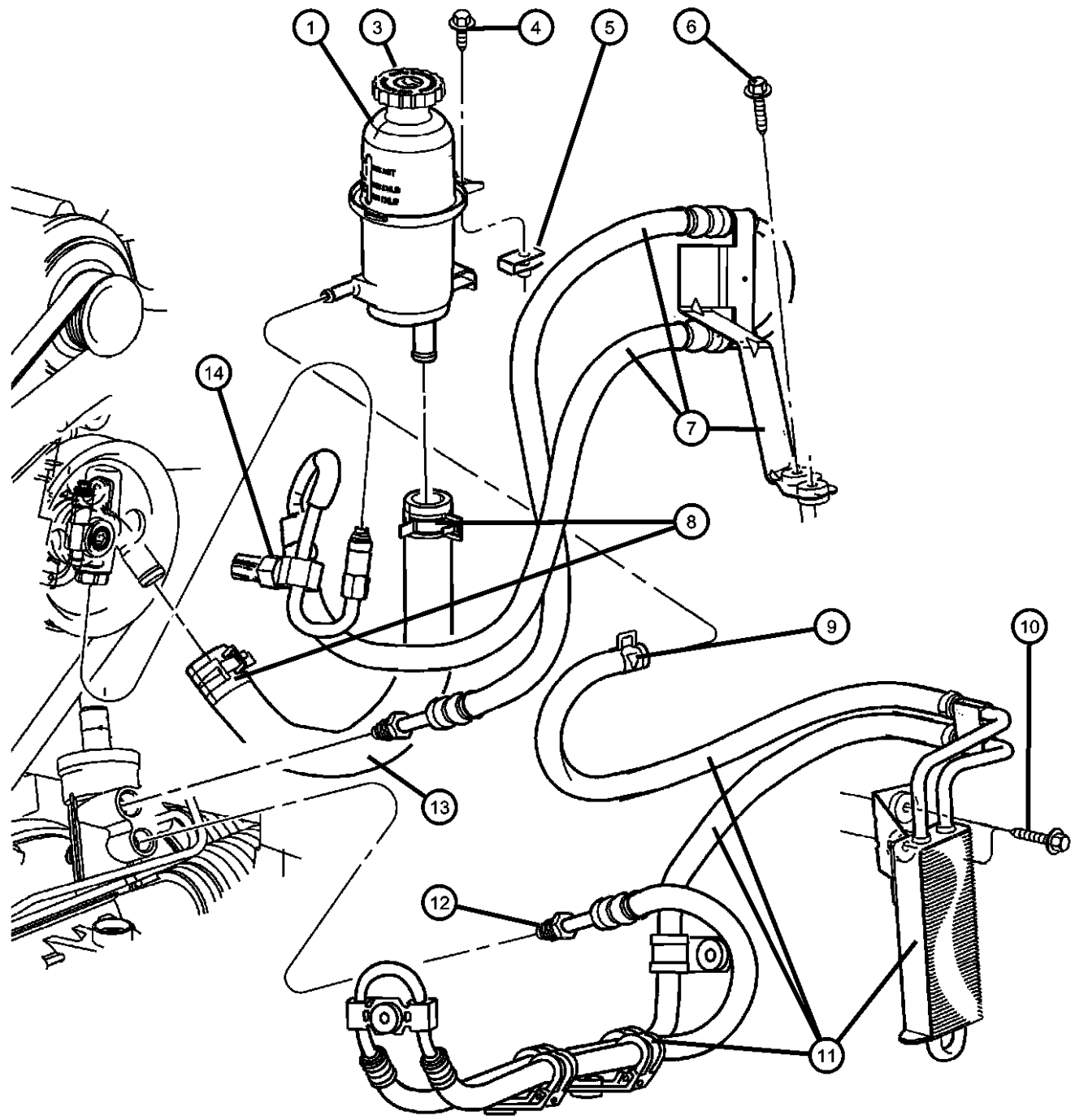
ENGINE  
ED1 = Engine - 2.4L 4 Cyl  
DOHC 16v SMPI  
EKG = Engine - 3.7L V6  
ENR = Engine - 2.8L 4 Cyl  
Turbo Diesel  
ENO = 4CYL turbo diesel

TRANSMISSION  
DGQ = Transmission-5-Spd Automatic  
5-45RFE  
DG6 = Transmission-4-Spd.  
Automatic, 42RLE  
DEH = Transmission-6-Speed Manual,  
NSG370  
DG0 = Transmissions - All Automatic  
DBB = ALL MANUAL  
TRANSMISSIONS

AR = use ase required - = Non illustrated part

2005 KJ

Hoses and Reservoir, [LHD, 2.4L ED0 2.8L EN0]  
Figure 19-710



ITEM	PART NUMBER	QTY	LINE	SERIES	BODY	ENGINE	TRANS	TRIM	DESCRIPTION
Note: Sales Codes; [ED0]=Engines - All 2.2, 2.5, 2.4L 4 Cylinder Gas [EN0]=Engines - All 4/5 Cylinder Turbo Diesel									
1	52088713AA	1				ED0			RESERVOIR, Power Steering Pump Includes Item 3
		1				EN0			Includes Item 3
-2	52088874AD	1				EN0			BRACKET, Power Steering Reservoir CAP, Power Steering Reservoir
3	52128513AA	1				ED0			
		1				EN0			
4	06102132AA	1				ED0, EN0			SCREW, Hex Head, M6x1x20Reservoir To Bracket NUT, U, M6x1
5	06101712	2							
6	06101712	2							SCREW, Hex Head, M6x1x35, Pressure Hose Mounting (Qty 2), (NOT SERVICED)
7									HOSE, Power Steering Pressure
	52088716AE	1	U			EN0	DG0		
	52128786AA	1	J, T			ED0			
8	52129342AB	1	J			EN0			HOSE ASSEMBLY, P/S PRESSURE AND RETURN CLAMP, Hose, M28.9 x 1.60
9	06502018	2				ED0			
		2				EN0			
10	06504217	1	J			EN0	DG0		CLAMP, Hose, M18.5
		1	J, T			ED0			
11		1							SCREW, Hex Head, M6x1x35, Cooler Mounting (Qty 2), (NOT SERVICED)
12	52129063AA	1	J, T			ED0			COOLER, Power Steering With Hose
13	05205254	2	J			EN0			O RING, Power Steering Hose
		1	J, T			ED0			

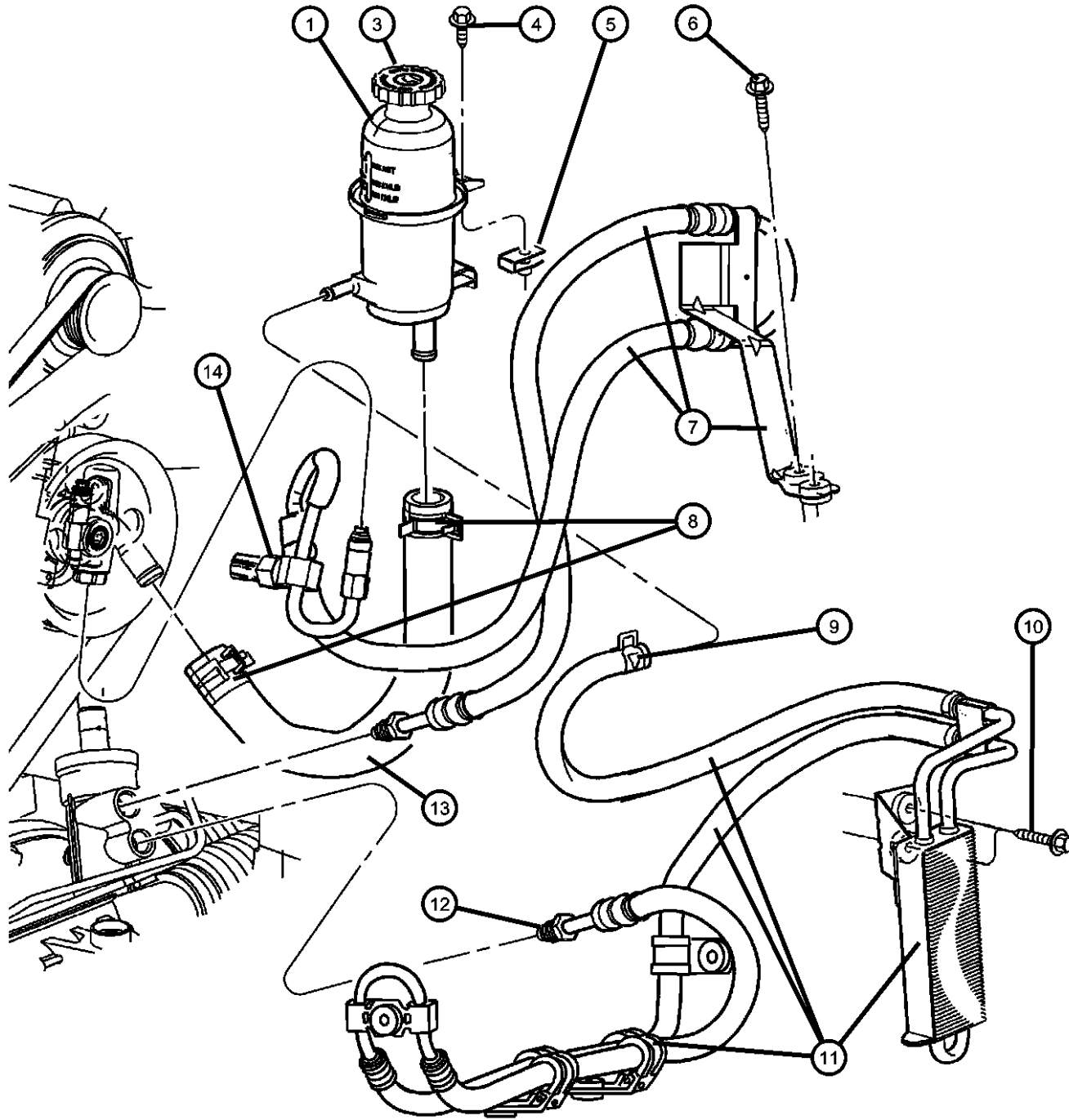
**LIBERTY (KJ)**

SERIES	LINE	BODY	ENGINE	TRANSMISSION
P = LIMITED	J = JEEP - 4WD	74 = SPORT UTILITY 4-DR	ED1 = Engine - 2.4L 4 Cyl DOHC 16v SMPI	DGQ = Transmission-5-Spd Automatic 5-45RFE
H = SPORT	U = JEEP - 4WD (RHD)		EKG = Engine - 3.7L V6	DG6 = Transmission-4-Spd. Automatic, 42RLE
M = RENEGADE	T = JEEP - 2WD		ENR = Engine - 2.8L 4 Cyl Turbo Diesel	DEH = Transmission-6-Speed Manual, NSG370
			ENO = 4CYL turbo diesel	DG0 = Transmissions - All Automatic DBB = ALL MANUAL TRANSMISSIONS

AR = use ase required - = Non illustrated part

Hoses and Reservoir, [LHD, 2.4L ED0 2.8L EN0]  
Figure 19-710

ITEM	PART NUMBER	QTY	LINE	SERIES	BODY	ENGINE	TRANS	TRIM	DESCRIPTION
14	52088718AD	1				ED0			HOSE, Power Steering Reservoir
	52088719AE	1				EN0			Includes Item 8, Reservoir To Pump
15	56044169AA	1	J, T			ED0			Includes Item 8, Reservoir To Pump SWITCH, Power Steering



LIBERTY (KJ)

SERIES      LINE  
P = LIMITED      J = JEEP - 4WD  
H = SPORT      U = JEEP - 4WD (RHD)  
M = RENEGADE      T = JEEP - 2WD

BODY  
74 = SPORT UTILITY 4-DR

ENGINE  
ED1 = Engine - 2.4L 4 Cyl  
DOHC 16v SMPI  
EKG = Engine - 3.7L V6  
ENR = Engine - 2.8L 4 Cyl  
Turbo Diesel  
ENO = 4CYL turbo diesel

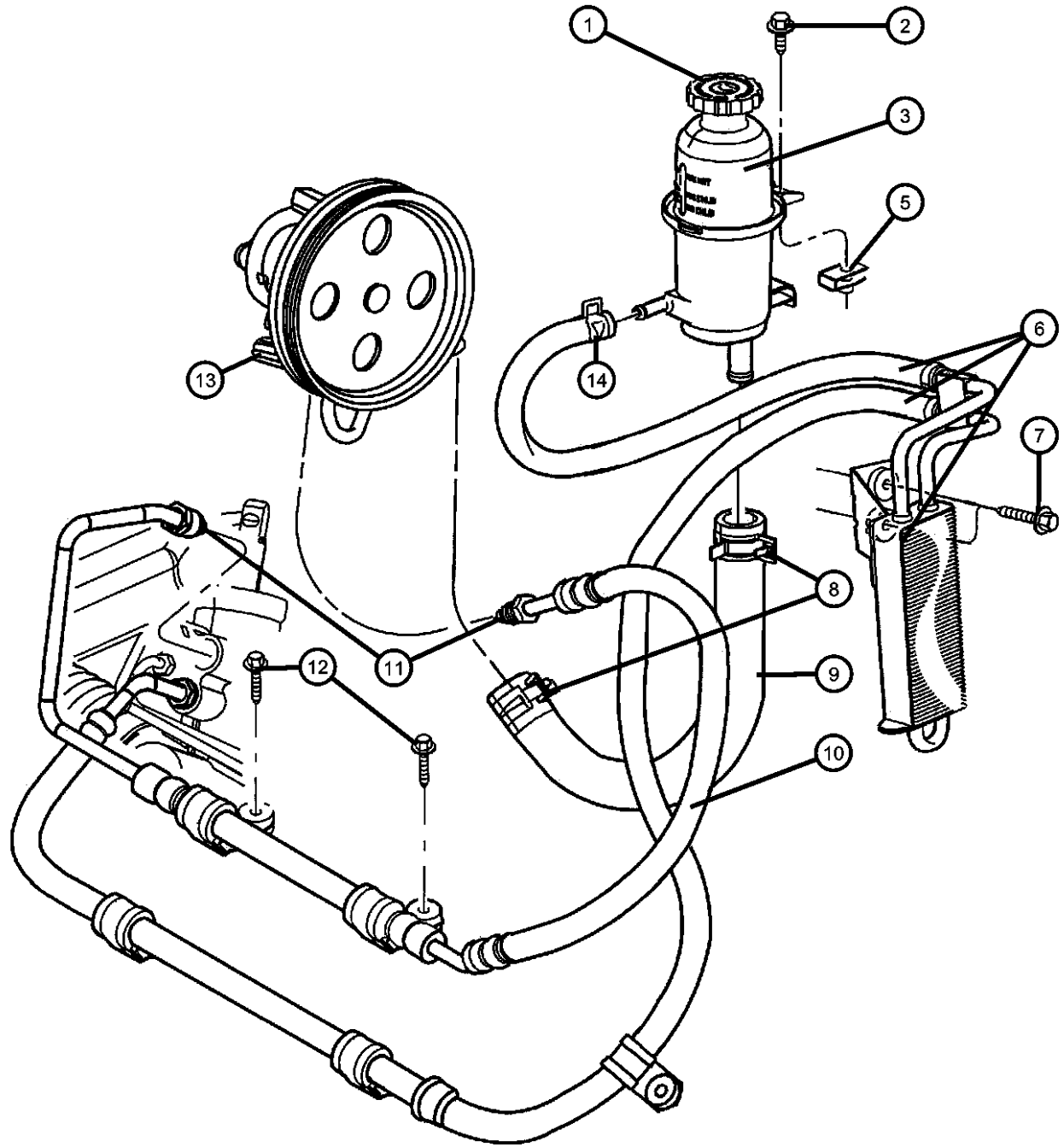
TRANSMISSION  
DGQ = Transmission-5-Spd Automatic  
5-45RFE  
DG6 = Transmission-4-Spd.  
Automatic, 42RLE  
DEH = Transmission-6-Speed Manual,  
NSG370  
DG0 = Transmissions - All Automatic  
DBB = ALL MANUAL  
TRANSMISSIONS

AR = use ase required - = Non illustrated part

2005 KJ



Hoses and Reservoir, [RHD, 2.4L ED0 2.8L EN0]  
Figure 19-720



ITEM	PART NUMBER	QTY	LINE	SERIES	BODY	ENGINE	TRANS	TRIM	DESCRIPTION
Note: Sales Codes; [ED0]=Engines - All 2.2, 2.5, 2.4L 4 Cylinder Gas [EK0]=Engines - All 3.7L 6 Cylinder Gas [EN0]=Engines - All 4/5 Cylinder Turbo Diesel									
1	52128513AA	1				ED0			CAP, Power Steering Reservoir
		1				EN0			
2	06102132AA	1				ED0, EN0			SCREW, Hex Head, M6x1x20
3	52088713AA	1				ED0			RESERVOIR, Power Steering Pump Includes Item 4
		1				EN0			Includes Item 4
-4	52088874AD	1				EN0			BRACKET, Power Steering Reservoir
5	06101712	2							NUT, U, M6x1
6	52088927AE	2	U			ED0			COOLER, Power Steering With Hose
7	52088927AE	2							SCREW, Hex Flange Head, M6x1.00x35.00, (NOT SERVICED)
8	06502018	2				ED0			CLAMP, Hose, M28.9 x 1.60
		2				EN0			
9	52088718AD	1				ED0			HOSE, Power Steering Reservoir Includes Item 9
	52088719AE	1				EN0			Includes Item 9
10	52128787AA	2	U			ED0			HOSE, Power Steering Pressure
11	05205254	2	U			ED0			O RING, Power Steering Hose
		1	U			EN0			
12		1							SCREW, Hex Flange Head, M6x1.00x35.00, (NOT SERVICED)
13	56044169AA	1	U			ED0			SWITCH, Power Steering
14	06504217	2	U			ED0			CLAMP, Hose, M18.5
		1	U			EN0			

LIBERTY (KJ)

SERIES LINE  
P = LIMITED J = JEEP - 4WD  
H = SPORT U = JEEP - 4WD (RHD)  
M = RENEGADE T = JEEP - 2WD

BODY  
74 = SPORT UTILITY 4-DR

ENGINE  
ED1 = Engine - 2.4L 4 Cyl DOHC 16v SMPI  
EKG = Engine - 3.7L V6  
ENR = Engine - 2.8L 4 Cyl Turbo Diesel  
ENO = 4CYL turbo diesel

TRANSMISSION  
DGQ = Transmission-5-Spd Automatic 5-45RFE  
DG6 = Transmission-4-Spd. Automatic, 42RLE  
DEH = Transmission-6-Speed Manual, NSG370  
DG0 = Transmissions - All Automatic  
DBB = ALL MANUAL TRANSMISSIONS

AR = use ase required - = Non illustrated part

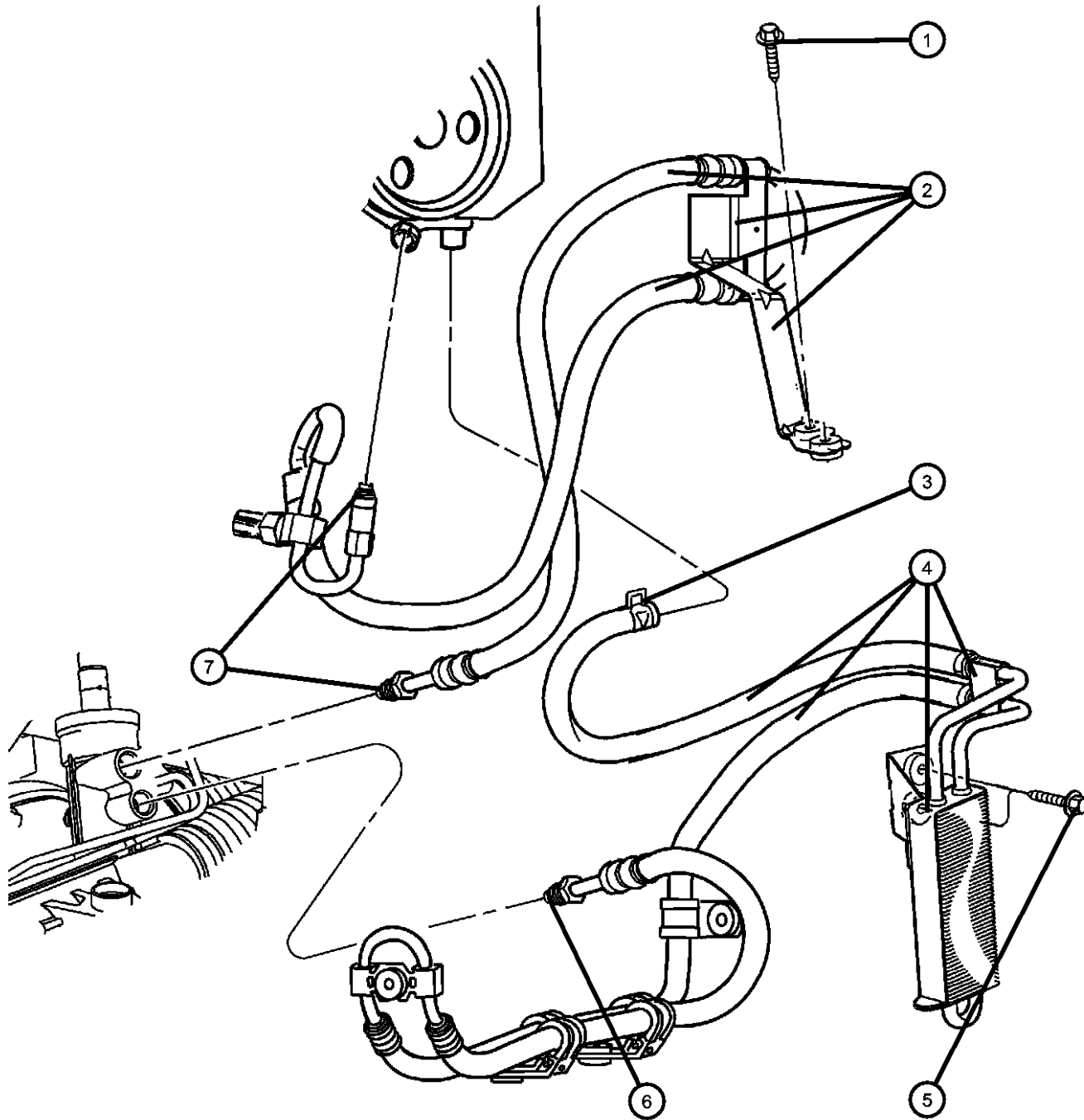
2005 KJ

Hoses and Reservoir, [LHD, 3.7L EK0]  
Figure 19-730

ITEM	PART NUMBER	QTY	LINE	SERIES	BODY	ENGINE	TRANS	TRIM	DESCRIPTION
------	-------------	-----	------	--------	------	--------	-------	------	-------------

Note:Sales Codes;  
[EK0]=Engines - All 3.7L 6 Cylinder Gas

1		1							SCREW, Hex Flange Head, M6x1.00x35.00, (NOT SERVICED)
2	52128940AB	1	J, T			EK0			HOSE, Power Steering Pressure
3	06504217	1	J, T			EK0			CLAMP, Hose, M18.5
4	52129063AA	1	J, T			EK0			COOLER, Power Steering With Hose
5	52129063AA	1							SCREW, Hex Flange Head, M6x1.00x35.00, (NOT SERVICED)
6	05205254	1	J, T			EK0			O RING, Power Steering Hose
7	05205254	1	J, T			EK0			O RING, Power Steering Hose
-8	53013506AB	1	J, U			EK0			GUARD, Splash
-9	06100267	1	J			EK0			BOLT AND CONED WASHER, Hex Head, M6x25x12.5
-10	06100050	1	J			EK0			NUT AND WASHER, Hex, M8x1.25
-11	52129073AA	1	J, T			EK0			HOSE, Power Steering Return



LIBERTY (KJ)

SERIES      LINE  
P = LIMITED      J = JEEP - 4WD  
H = SPORT      U = JEEP - 4WD (RHD)  
M = RENEGADE      T = JEEP - 2WD

BODY  
74 = SPORT UTILITY 4-DR

ENGINE  
ED1 = Engine - 2.4L 4 Cyl DOHC 16v SMPI  
EKG = Engine - 3.7L V6  
ENR = Engine - 2.8L 4 Cyl Turbo Diesel  
ENO = 4CYL turbo diesel

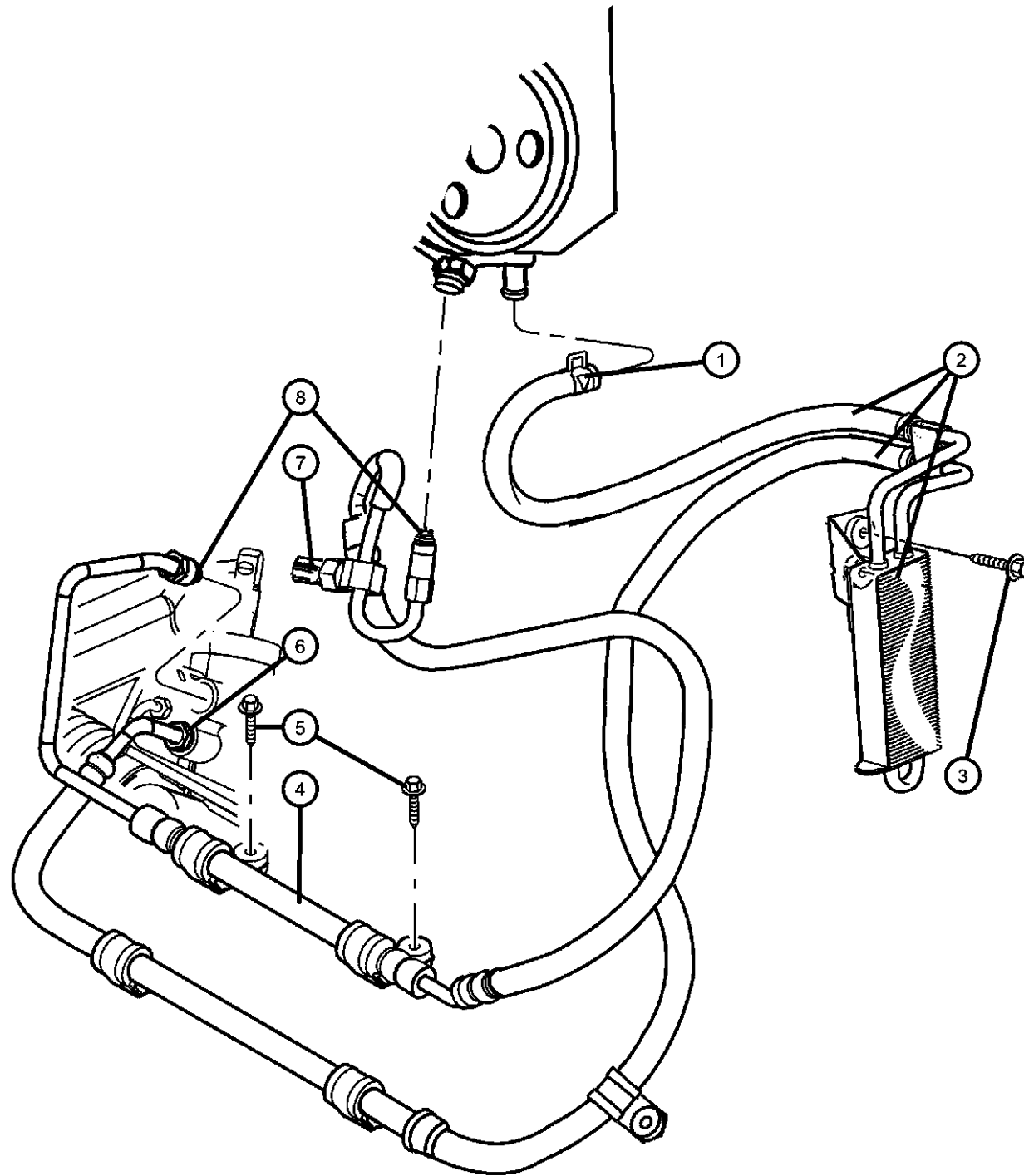
TRANSMISSION  
DGQ = Transmission-5-Spd Automatic 5-45RFE  
DG6 = Transmission-4-Spd. Automatic, 42RLE  
DEH = Transmission-6-Speed Manual, NSG370  
DG0 = Transmissions - All Automatic  
DBB = ALL MANUAL TRANSMISSIONS

AR = use ase required - = Non illustrated part

2005 KJ

### Hoses and Reservoir [RHD, 3.7L EK0]

Figure 19-740



ITEM	PART NUMBER	QTY	LINE	SERIES	BODY	ENGINE	TRANS	TRIM	DESCRIPTION
Note:Sales Codes; [EKG]=Engine -3.7L Power Tech V6 [EK0]=Engines - All 3.7L 6 Cylinder Gas									
1	06504217	2	U			EK0			CLAMP, Hose, M18.5
2	52088927AE	1	U			EK0			COOLER, Power Steering With Hose
3	52088927AE	1							SCREW, Hex Flange Head, M6x1.00x35.00, (NOT SERVICED)
4	52128789AB	1	U			EK0			HOSE, Power Steering Pressure
5	52128789AB	1							SCREW, Hex Flange Head, M6x1.00x35.00, (NOT SERVICED)
6	05205254	4	U			EK0			O RING, Power Steering Hose
7	56044169AA	2	U			EK0			SWITCH, Power Steering
8	05205254	2	U			EK0			O RING, Power Steering Hose
-9	53013506AB	1	J, U			EK0			GUARD, Splash
-10	06100267	1	U			EK0			BOLT AND CONED WASHER, Hex Head, M6x25x12.5
-11	06100050	1	U			EK0			NUT AND WASHER, Hex, M8x1.25

**LIBERTY (KJ)**

SERIES      LINE  
 P = LIMITED      J = JEEP - 4WD  
 H = SPORT      U = JEEP - 4WD (RHD)  
 M = RENEGADE      T = JEEP - 2WD

BODY  
 74 = SPORT UTILITY 4-DR

ENGINE  
 ED1 = Engine - 2.4L 4 Cyl DOHC 16v SMPI  
 EKG = Engine - 3.7L V6  
 ENR = Engine - 2.8L 4 Cyl Turbo Diesel  
 ENO = 4CYL turbo diesel

TRANSMISSION  
 DGQ = Transmission-5-Spd Automatic 5-45RFE  
 DG6 = Transmission-4-Spd. Automatic, 42RLE  
 DEH = Transmission-6-Speed Manual, NSG370  
 DG0 = Transmissions - All Automatic  
 DBB = ALL MANUAL TRANSMISSIONS

AR = use ase required - = Non illustrated part

# Group - 42RLE

## Automatic Transaxle 4 Speed

## Group - 42RLE Automatic Transaxle 4 Speed

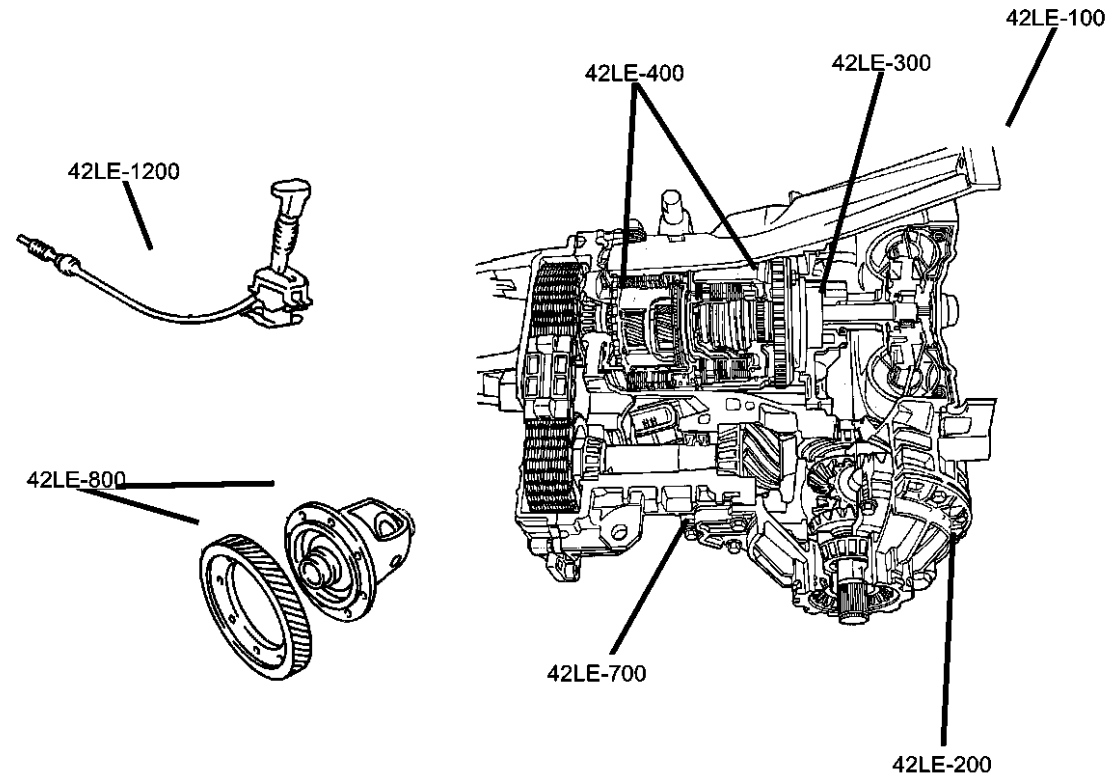


Illustration Title

Group-Fig. No.

### Transaxle Assembly

Transmission Assembly ..... Fig. 42RLE - 110

### Case and Extension

Case, Transmission ..... Fig. 42RLE - 210  
 Adapter & Extension ..... Fig. 42RLE - 220  
 Mounting, Transmission ..... Fig. 42RLE - 230  
 Collar, Structural ..... Fig. 42RLE - 240  
 Oil Fill Tube ..... Fig. 42RLE - 250  
 Overhaul & Seal Package ..... Fig. 42RLE - 260

### Oil Pump

Oil Pump & Reaction Shaft ..... Fig. 42RLE - 310

### Gear Train


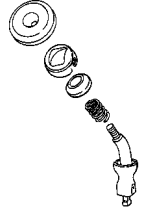
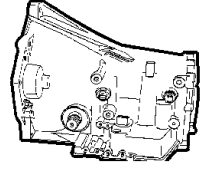

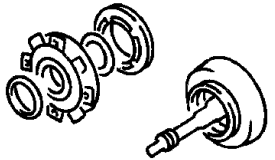
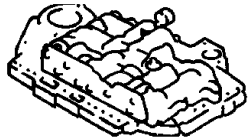
Clutch, Input Shaft ..... Fig. 42RLE - 410  
 Gear Train ..... Fig. 42RLE - 420

### Valve Body

Valve Body ..... Fig. 42RLE - 710  
 Accumulator Pistons & Springs ..... Fig. 42RLE - 720  
 Parking Sprag ..... Fig. 42RLE - 730

### Gearshift Controls

Gearshift Control And Transmission Skid Plate ..... Fig. 42RLE - 1210

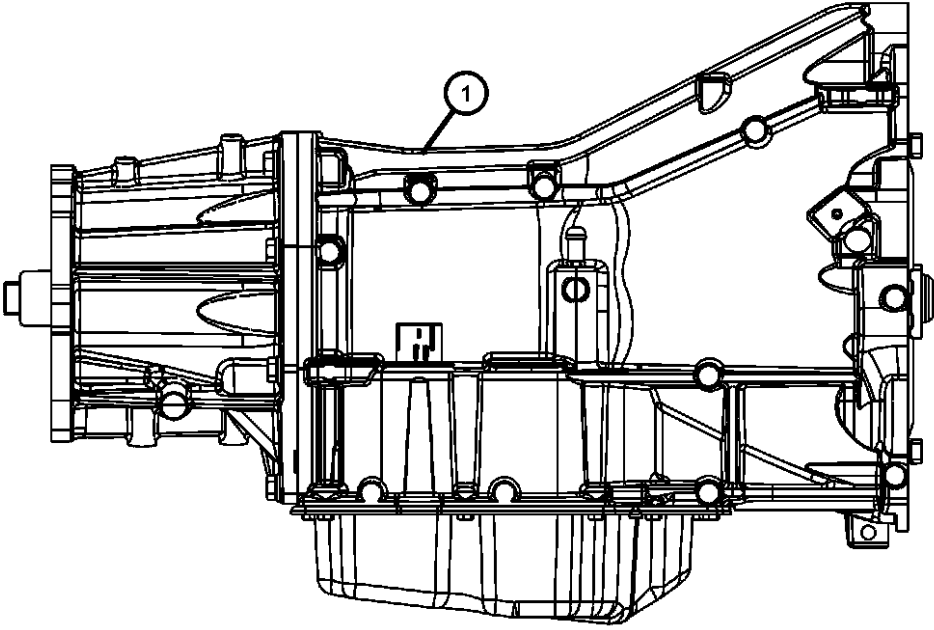
<p><b>42RLE-100</b> Transaxle Assembly</p> 	<p><b>42RLE-1200</b> Gearshift Controls</p> 	<p><b>42RLE-200</b> Case and Extension</p> 	<p><b>42RLE-300</b> Oil Pump</p> 
<p><b>42RLE-400</b> Gear Train</p> 	<p><b>42RLE-700</b> Valve Body</p> 		

**Transmission Assembly  
Figure 42RLE-110**

ITEM	PART NUMBER	QTY	LINE	SERIES	BODY	ENGINE	TRANS	TRIM	DESCRIPTION
------	-------------	-----	------	--------	------	--------	-------	------	-------------

NOTE:  
Sales Codes:  
[DG6]=4 Speed Automatic Transmission - [42RLE]

1									TRANSMISSION PACKAGE
	05143690AA	1	T				DG6		
	05013457AA								Mopar Automatic Transmission Fluid Quart
	05013458AA								Mopar Automatic Transmission Fluid Gallon
	05143971AA	1	J, U				DG6		
	05013457AA								Mopar Automatic Transmission Fluid Quart
	05013458AA								Mopar Automatic Transmission Fluid Gallon
-2									CONVERTER PACKAGE, Torque
	05093944AB	1	J, U				DG6		
		1	T				DG6		



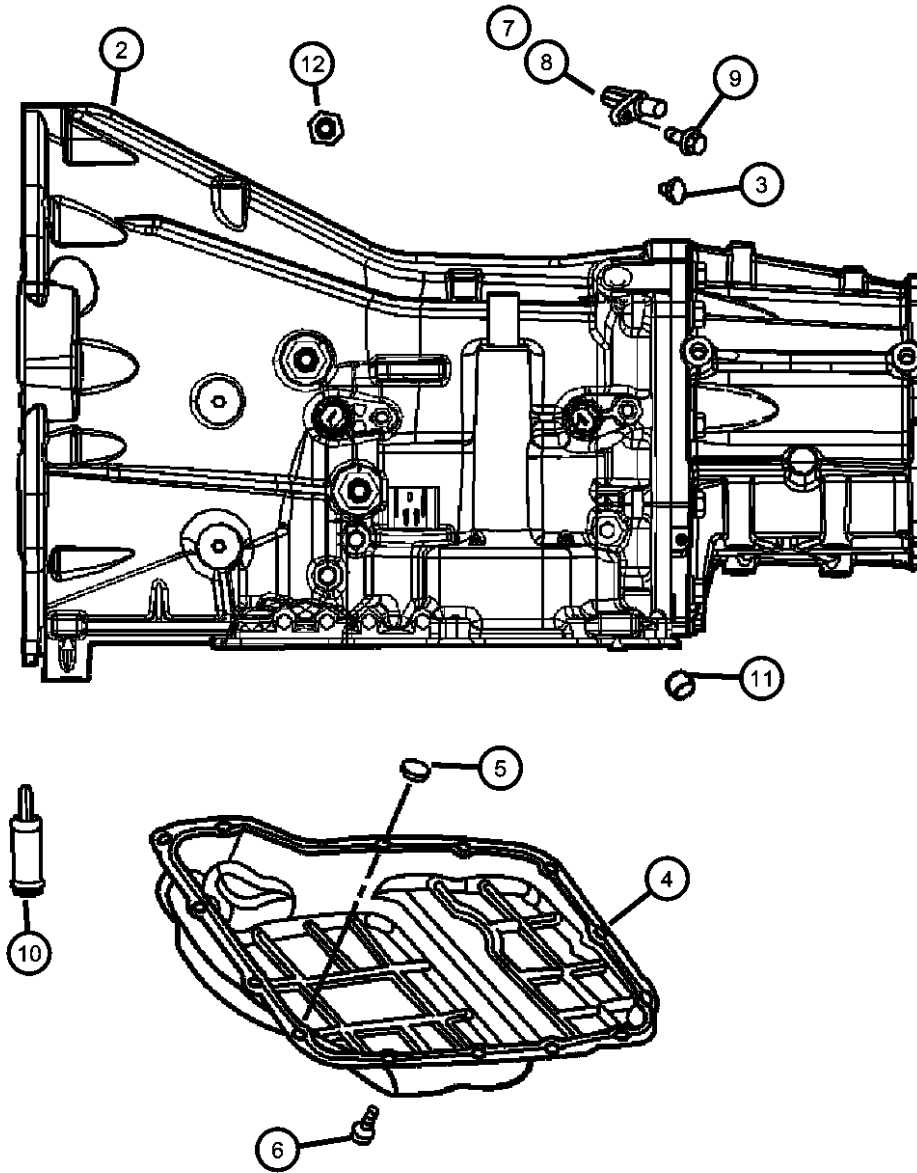
<b>LIBERTY (KJ)</b>				
SERIES	LINE	BODY	ENGINE	TRANSMISSION
P = LIMITED	J = JEEP - 4WD	74 = SPORT UTILITY 4-DR	ED1 = Engine - 2.4L 4 Cyl DOHC 16v SMPI	DGQ = Transmission-5-Spd Automatic 5-45RFE
H = SPORT	U = JEEP - 4WD (RHD)		EKG = Engine - 3.7L V6	DG6 = Transmission-4-Spd. Automatic, 42RLE
M = RENEGADE	T = JEEP - 2WD		ENR = Engine - 2.8L 4 Cyl Turbo Diesel	DEH = Transmission-6-Speed Manual, NSG370
			ENO = 4CYL turbo diesel	DG0 = Transmissions - All Automatic
				DBB = ALL MANUAL TRANSMISSIONS

AR = use ase required - = Non illustrated part

Case, Transmission  
Figure 42RLE-210

ITEM	PART NUMBER	QTY	LINE	SERIES	BODY	ENGINE	TRANS	TRIM	DESCRIPTION
------	-------------	-----	------	--------	------	--------	-------	------	-------------

NOTE:  
Sales Codes:  
[DG6]=4 Speed Automatic Transmission - [42RLE]



-1									GASKET PACKAGE, Transmission
	05103073AA	1	T				DG6		
		1	J, U				DG6		
2	05101881AA	1	T				DG6		CASE, Transmission
		1	J, U				DG6		
3	04567312	1	J, U				DG6		PLUG, Transaxle Case
		1	T				DG6		
4	52852912AB	1	J, U				DG6		PAN, Transmission Oil
		1	T				DG6		
5	03681601	1	J, U				DG6		MAGNET, Transmission
		1	T				DG6		
6	06501474	14	T				DG6		BOLT, Hex Head, M8x1.25x16
		14	J, U				DG6		
7	04799061AB	1	J, U				DG6		SENSOR, Transmission Input Speed
		1	T				DG6		
8	52854001AA	1	J, U				DG6		SENSOR, Transmission Output Speed
		1	T				DG6		
9	06101331	2	J, U				DG6		BOLT, M6x1.00x20
		2	T				DG6		
10	04659946AB	1	J, U				DG6		VALVE, Cooler Bypass

LIBERTY (KJ)

SERIES LINE  
P = LIMITED J = JEEP - 4WD  
H = SPORT U = JEEP - 4WD (RHD)  
M = RENEGADE T = JEEP - 2WD

BODY  
74 = SPORT UTILITY 4-DR

ENGINE  
ED1 = Engine - 2.4L 4 Cyl  
DOHC 16v SMPI  
EKG = Engine - 3.7L V6  
ENR = Engine - 2.8L 4 Cyl  
Turbo Diesel  
ENO = 4CYL turbo diesel

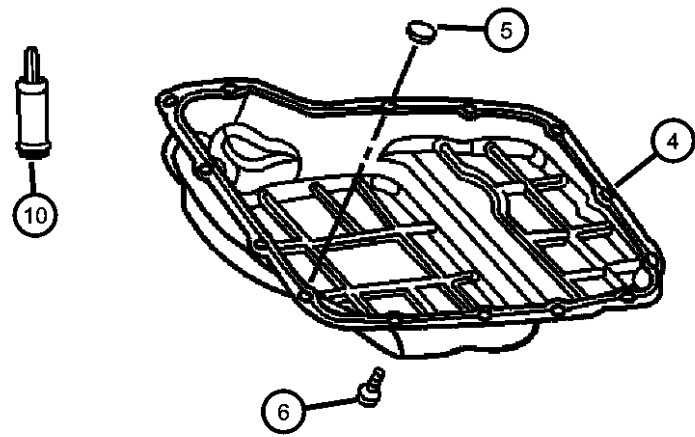
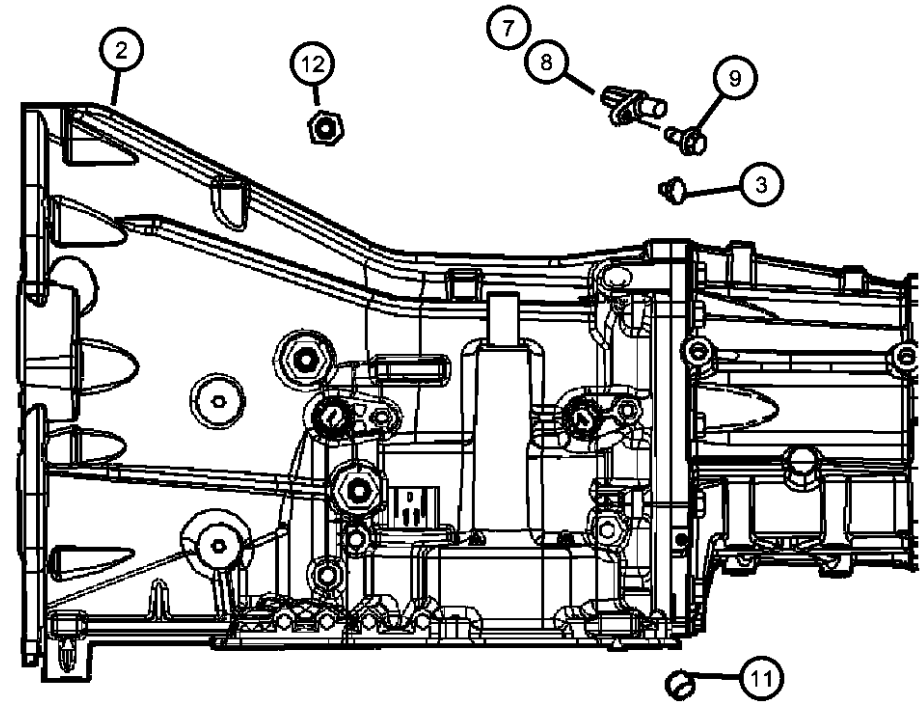
TRANSMISSION  
DGQ = Transmission-5-Spd Automatic  
5-45RFE  
DG6 = Transmission-4-Spd.  
Automatic, 42RLE  
DEH = Transmission-6-Speed Manual,  
NSG370  
DG0 = Transmissions - All Automatic  
DBB = ALL MANUAL  
TRANSMISSIONS

AR = use ase required - = Non illustrated part

2005 KJ

Case, Transmission  
Figure 42RLE-210

ITEM	PART NUMBER	QTY	LINE	SERIES	BODY	ENGINE	TRANS	TRIM	DESCRIPTION
11		1	T				DG6		BUSHING, Dowel
	04531412	1	J, U				DG6		
12		1	T				DG6		FITTING, Quick Connect
	52119547AA	2	J, U				DG6		
		2	T				DG6		



LIBERTY (KJ)

SERIES      LINE  
P = LIMITED      J = JEEP - 4WD  
H = SPORT      U = JEEP - 4WD (RHD)  
M = RENEGADE      T = JEEP - 2WD

BODY  
74 = SPORT UTILITY 4-DR

ENGINE  
ED1 = Engine - 2.4L 4 Cyl  
DOHC 16v SMPI  
EKG = Engine - 3.7L V6  
ENR = Engine - 2.8L 4 Cyl  
Turbo Diesel  
ENO = 4CYL turbo diesel

TRANSMISSION  
DGQ = Transmission-5-Spd Automatic  
5-45RFE  
DG6 = Transmission-4-Spd.  
Automatic, 42RLE  
DEH = Transmission-6-Speed Manual,  
NSG370  
DG0 = Transmissions - All Automatic  
DBB = ALL MANUAL  
TRANSMISSIONS

AR = use ase required - = Non illustrated part

2005 KJ

Adapter & Extension  
Figure 42RLE-220

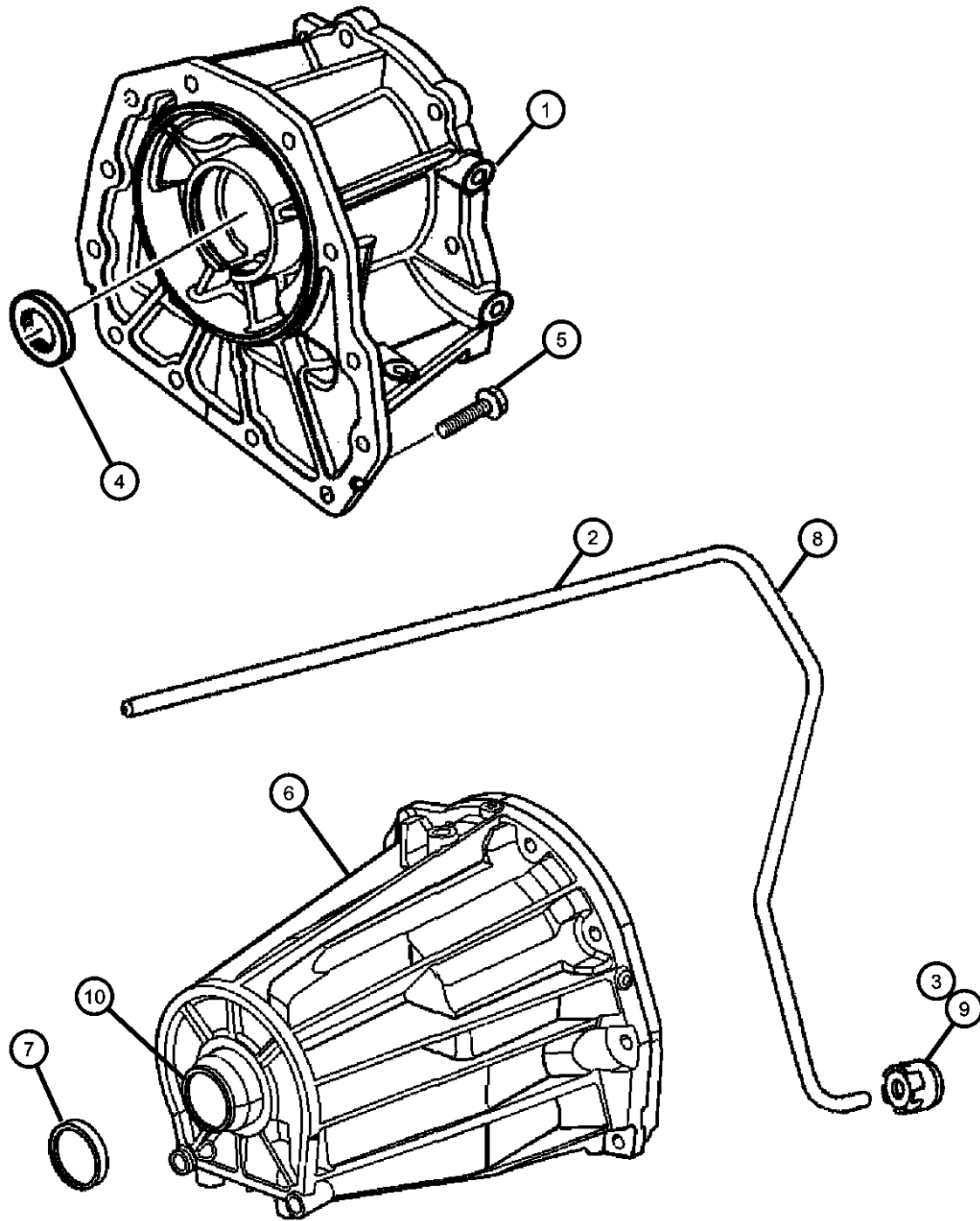
ITEM	PART NUMBER	QTY	LINE	SERIES	BODY	ENGINE	TRANS	TRIM	DESCRIPTION
------	-------------	-----	------	--------	------	--------	-------	------	-------------

NOTE:

Sales Codes:

[DG6]=4 Speed Automatic Transmission - [42RLE]

1	52852986AB	1	J, U				DG6		ADAPTER, Transfer Case
2	52854177AA	AR					DG6		TUBE
3	52852998AA	1	J, U				DG6		SEAL, Transmission
4	04269956AB	1	J, U				DG6		SEAL, Adapter
5	06504774	5	J, U				DG6		SCREW AND WASHER, Hex Head, M10x1.5x37
6	52852987AB	1	T				DG6		HOUSING, Transmission Rear Extension
7	04531216AB	1	T				DG6		SEAL, Output Shaft
8	52854177AA	AR					DG6		TUBE
9	52852998AA	AR					DG6		SEAL, Transmission
10	52852998AA	AR							BUSHING, (NOT SERVICED)



LIBERTY (KJ)

SERIES LINE  
P = LIMITED J = JEEP - 4WD  
H = SPORT U = JEEP - 4WD (RHD)  
M = RENEGADE T = JEEP - 2WD

BODY  
74 = SPORT UTILITY 4-DR

ENGINE  
ED1 = Engine - 2.4L 4 Cyl DOHC 16v SMPI  
EKG = Engine - 3.7L V6  
ENR = Engine - 2.8L 4 Cyl Turbo Diesel  
ENO = 4CYL turbo diesel

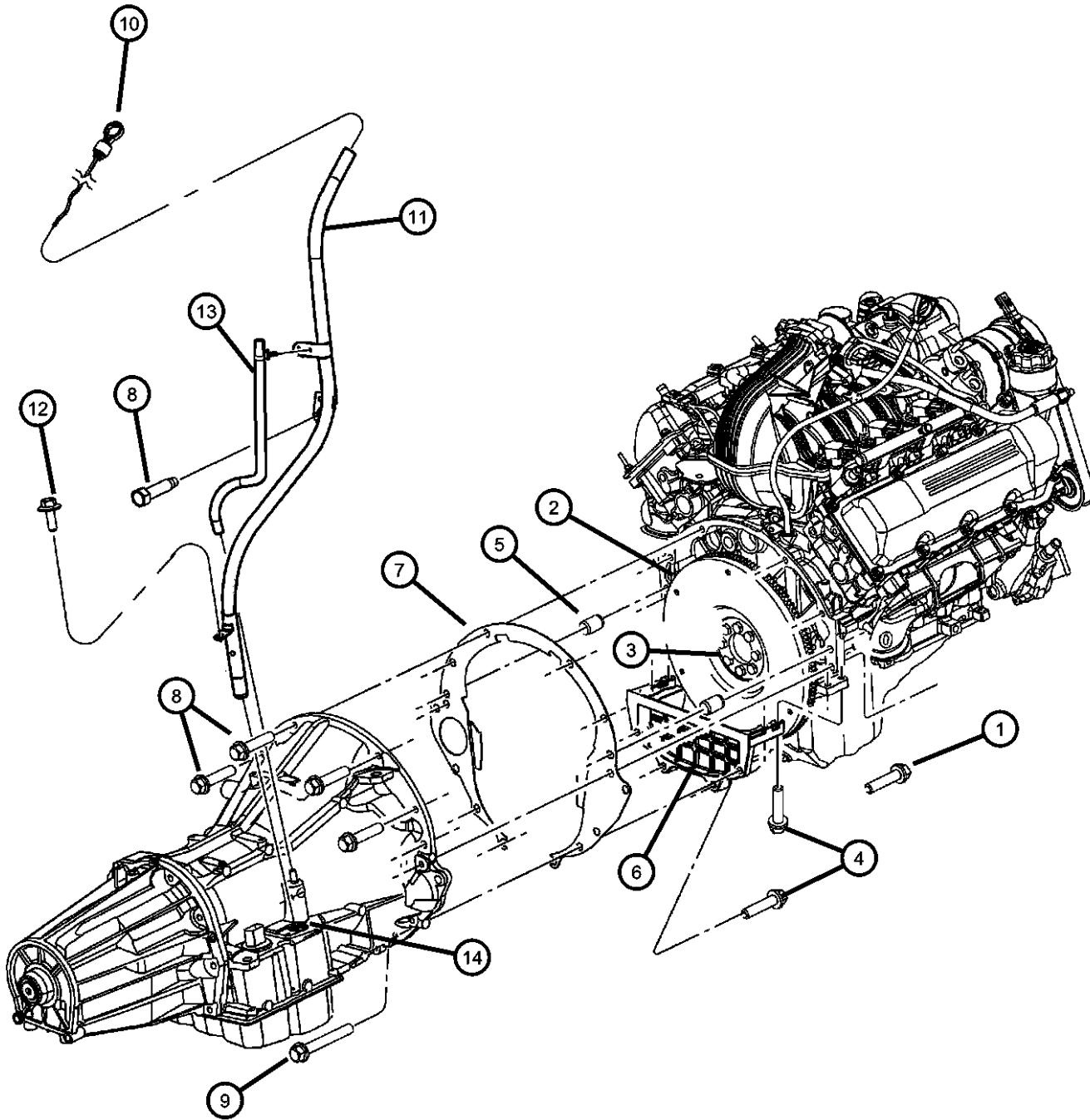
TRANSMISSION  
DGQ = Transmission-5-Spd Automatic 5-45RFE  
DG6 = Transmission-4-Spd. Automatic, 42RLE  
DEH = Transmission-6-Speed Manual, NSG370  
DG0 = Transmissions - All Automatic  
DBB = ALL MANUAL TRANSMISSIONS

AR = use ase required - = Non illustrated part

2005 KJ



**Mounting, Transmission  
Figure 42RLE-230**



ITEM	PART NUMBER	QTY	LINE	SERIES	BODY	ENGINE	TRANS	TRIM	DESCRIPTION
------	-------------	-----	------	--------	------	--------	-------	------	-------------

NOTE:  
Sales Codes:  
[DG6]=4 Speed Automatic Transmission - 42RLE  
[DG0]=All Automatic Transmissions  
[EK0]=All 3.7L V-6 Engines

1	06036385AA	2				EK0	DG0		SCREW AND WASHER, Hex Head, .437-14x2.00
2	04736253AA	1				EK0	DG0		PLATE, Torque Converter Drive
3	06503465	8				EK0	DG0		BOLT, Drive Plate and Flywheel
4	06101985	8				EK0			SCREW AND WASHER, M10x1.50x45.00
5	01122532	2				EK0			DOWEL, Block To Clutch Housing
6	53021282AA	1				EK0			COVER, Engine
7	52104344AA	1				EK0	DG0		COVER, Transmission Dust
8	06022266	4				EK0	DG0		SCREW, Hex Head, .375-16x1.5
9	06101985	8				EK0			SCREW AND WASHER, M10x1.50x45.00
10	53013592AB	1					DG6		INDICATOR, Transmission Fluid Level
11	53013591AC	1				EK0	DG6		TUBE, Transmission Oil Filler
12	06501979	1				EK0			SCREW AND WASHER, Hex Head, M6x1x17
13	53013593AA	1					DG6		TUBE, Vent
14									GROMMET
	04810021	1			J, U		DG6		
		1			T		DG6		
-15									SEAL, Torque Converter Hub
	05222629	1			J, U		DG6		
		1			T		DG6		

**LIBERTY (KJ)**

SERIES      LINE  
P = LIMITED      J = JEEP - 4WD  
H = SPORT      U = JEEP - 4WD (RHD)  
M = RENEGADE      T = JEEP - 2WD

BODY  
74 = SPORT UTILITY 4-DR

ENGINE  
ED1 = Engine - 2.4L 4 Cyl DOHC 16v SMPI  
EK0 = Engine - 3.7L V6  
ENR = Engine - 2.8L 4 Cyl Turbo Diesel  
ENO = 4CYL turbo diesel

TRANSMISSION  
DGQ = Transmission-5-Spd Automatic 5-45RFE  
DG6 = Transmission-4-Spd. Automatic, 42RLE  
DEH = Transmission-6-Speed Manual, NSG370  
DG0 = Transmissions - All Automatic  
DBB = ALL MANUAL TRANSMISSIONS

AR = use ase required - = Non illustrated part

2005 KJ

**Collar, Structural  
Figure 42RLE-240**

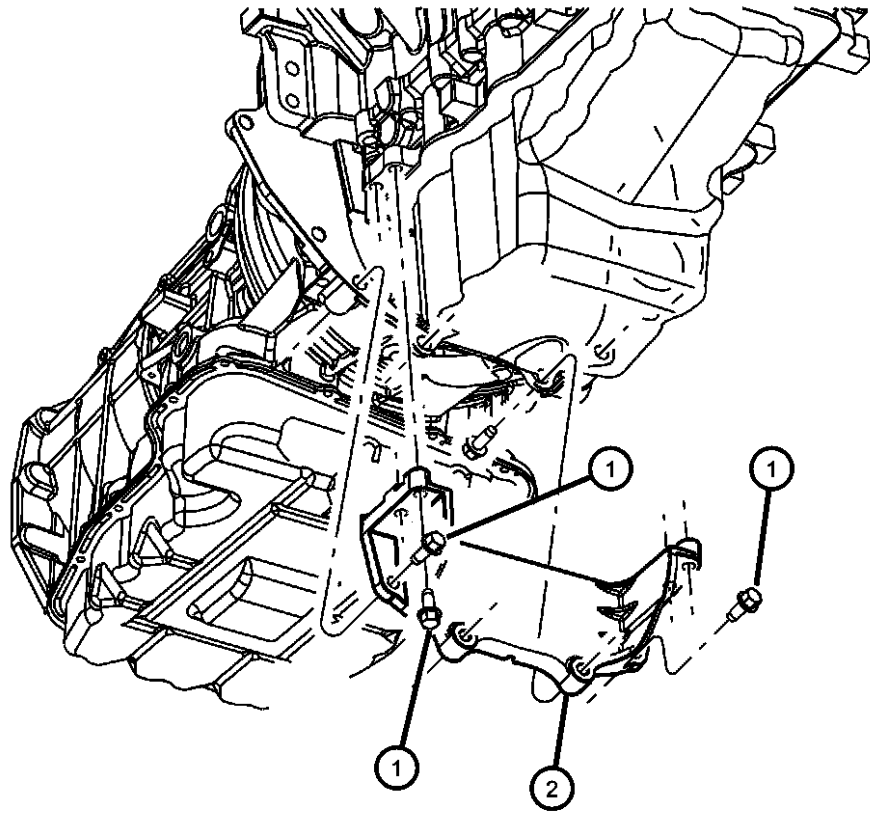
ITEM	PART NUMBER	QTY	LINE	SERIES	BODY	ENGINE	TRANS	TRIM	DESCRIPTION
------	-------------	-----	------	--------	------	--------	-------	------	-------------

NOTE:

Sales Codes:

[EK0]=All 3.7L V-6 Engines

1	06101985	8				EK0			SCREW AND WASHER, M10x1.50x45.00
2	53021282AA	1				EK0			COVER, Engine



**LIBERTY (KJ)**

SERIES      LINE  
P = LIMITED      J = JEEP - 4WD  
H = SPORT      U = JEEP - 4WD (RHD)  
M = RENEGADE      T = JEEP - 2WD

BODY  
74 = SPORT UTILITY 4-DR

ENGINE  
ED1 = Engine - 2.4L 4 Cyl  
DOHC 16v SMPI  
EKG = Engine - 3.7L V6  
ENR = Engine - 2.8L 4 Cyl  
Turbo Diesel  
ENO = 4CYL turbo diesel

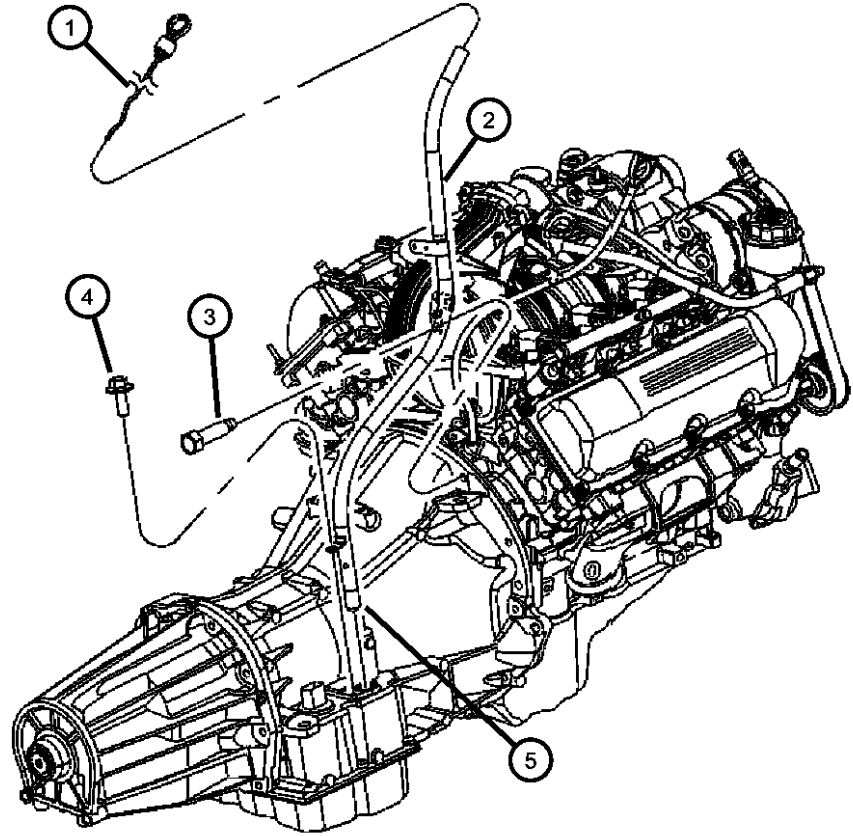
TRANSMISSION  
DGQ = Transmission-5-Spd Automatic  
5-45RFE  
DG6 = Transmission-4-Spd.  
Automatic, 42RLE  
DEH = Transmission-6-Speed Manual,  
NSG370  
DG0 = Transmissions - All Automatic  
DBB = ALL MANUAL  
TRANSMISSIONS

AR = use ase required - = Non illustrated part

2005 KJ

**Oil Fill Tube  
Figure 42RLE-250**

ITEM	PART NUMBER	QTY	LINE	SERIES	BODY	ENGINE	TRANS	TRIM	DESCRIPTION
1	53013592AC	1					DG6		INDICATOR, Transmission Fluid Level
2	53013591AC	1				EK0	DG6		TUBE, Transmission Oil Filler
3	06022266	4				EK0	DG0		SCREW, Hex Head, .375-16x1.5
4	06501979	1					DG0		SCREW AND WASHER, Hex Head, M6x1x17
5	04810021	1	J, U				DG6		GROMMET
		1	T				DG6		



**LIBERTY (KJ)**

SERIES	LINE
P = LIMITED	J = JEEP - 4WD
H = SPORT	U = JEEP - 4WD (RHD)
M = RENEGADE	T = JEEP - 2WD

BODY  
74 = SPORT UTILITY 4-DR

ENGINE  
ED1 = Engine - 2.4L 4 Cyl DOHC 16v SMPI  
EKG = Engine - 3.7L V6  
ENR = Engine - 2.8L 4 Cyl Turbo Diesel  
ENO = 4CYL turbo diesel

TRANSMISSION  
DGQ = Transmission-5-Spd Automatic 5-45RFE  
DG6 = Transmission-4-Spd. Automatic, 42RLE  
DEH = Transmission-6-Speed Manual, NSG370  
DG0 = Transmissions - All Automatic  
DBB = ALL MANUAL TRANSMISSIONS

AR = use ase required - = Non illustrated part

2005 KJ

**Overhaul & Seal Package  
Figure 42RLE-260**

ITEM	PART NUMBER	QTY	LINE	SERIES	BODY	ENGINE	TRANS	TRIM	DESCRIPTION
									NOTE: Sales Codes: [DG6]=4 Speed Automatic Transmission - [42RLE]
		1							GASKET PACKAGE, Transmission
	05103073AA	1	T				DG6		
		1	J, U				DG6		

①

- 4883260 Seal and Gasket Package, Transmission Oil Pump**
- 4883240AB Seal and Gasket Package, Transmission Front Clutch**
- 5101917AB Gasket and Seal Package, Valve Body**
- 4800253AA Gasket, Clutch Retainer**
- K4659374 Seal, Transmission 2nd & 4th Clutch Piston (D-Ring) Outer**
- K4659376 Seal, Transmission 2nd & 4th Clutch Piston (D-Ring) Inner**
- K4659855 Seal, Reverse Clutch inner**
- K4659856 Seal, Reverse Clutch outer**
- 4431612 Retainer and Seal, Transmission U/Drive Spring**
- 4431610 Piston, Underdrive**
- 4446612 Cup, Parking Brake Sprag**
- 4659946AB Valve, Cooler Bypass**
- 6501702 Snap Ring, Transmission Input Shaft**
- 4799062 Oring, Speed Sensor**
- 4659980 Snap Ring, Underdrive Clutch**
- 4799858AA Snap Ring**
- 6504383 Bolt, Flex Plate to Torque Converter**

**LIBERTY (KJ)**

SERIES      LINE  
P = LIMITED      J = JEEP - 4WD  
H = SPORT      U = JEEP - 4WD (RHD)  
M = RENEGADE      T = JEEP - 2WD

BODY  
74 = SPORT UTILITY 4-DR

ENGINE  
ED1 = Engine - 2.4L 4 Cyl  
DOHC 16v SMPI  
EKG = Engine - 3.7L V6  
ENR = Engine - 2.8L 4 Cyl  
Turbo Diesel  
ENO = 4CYL turbo diesel

TRANSMISSION  
DGQ = Transmission-5-Spd Automatic  
5-45RFE  
DG6 = Transmission-4-Spd.  
Automatic, 42RLE  
DEH = Transmission-6-Speed Manual,  
NSG370  
DG0 = Transmissions - All Automatic  
DBB = ALL MANUAL  
TRANSMISSIONS

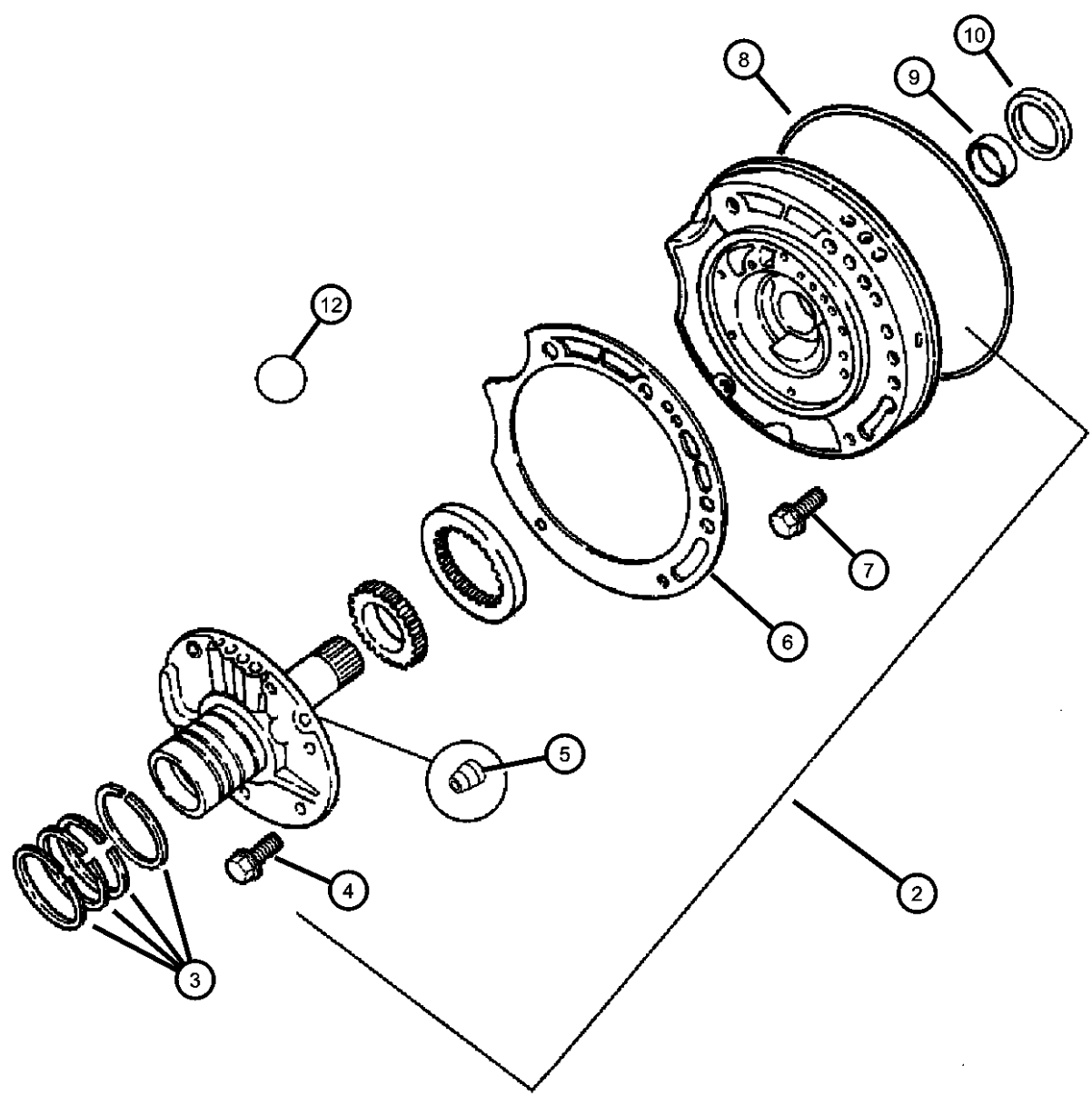
AR = use ase required - = Non illustrated part

2005 KJ

**Oil Pump & Reaction Shaft  
Figure 42RLE-310**

ITEM	PART NUMBER	QTY	LINE	SERIES	BODY	ENGINE	TRANS	TRIM	DESCRIPTION
------	-------------	-----	------	--------	------	--------	-------	------	-------------

NOTE:  
Sales Codes:  
[DG6]=4 Speed Automatic Transmission - [42RLE]



-1									SEAL AND GASKET PACKAGE, Transmission Oil Pump
	04883260	1	T				DG6		
		1	J, U				DG6		
2									PUMP, Transmission Oil
	05127199AA	1	T				DG6		
		1	J, U				DG6		
3									SEAL, Ring Reaction Support, 2 1/16 O.D.
	04471874	4	J, U				DG6		
		4	T				DG6		
4									BOLT, Hex Head, M8x1.25x19
	06500211	6	J, U				DG6		
		6	T				DG6		
5									BALL, Transmission Oil Pump
	00152127	1	J, U				DG6		
		6	T				DG6		
6									GASKET, Transmission Oil Pump
	04412844	1	J, U				DG6		
		1	T				DG6		
7									SCREW AND WASHER, Hex Flange Head, M8x1.25x25
	06506408AA	5	J, U				DG6		
		5	T				DG6		
8									SEAL, Oil Pump
	04659945	1	J, U				DG6		
		1	T				DG6		
9									BUSHING, Front Pump
	04659515	1	J, U				DG6		
		1	T				DG6		
10									SEAL, Impeller Hub, 57.25mm OD

**LIBERTY (KJ)**

SERIES      LINE  
P = LIMITED    J = JEEP - 4WD  
H = SPORT      U = JEEP - 4WD (RHD)  
M = RENEGADE   T = JEEP - 2WD

BODY  
74 = SPORT UTILITY 4-DR

ENGINE  
ED1 = Engine - 2.4L 4 Cyl DOHC 16v SMPI  
EKG = Engine - 3.7L V6  
ENR = Engine - 2.8L 4 Cyl Turbo Diesel  
ENO = 4CYL turbo diesel

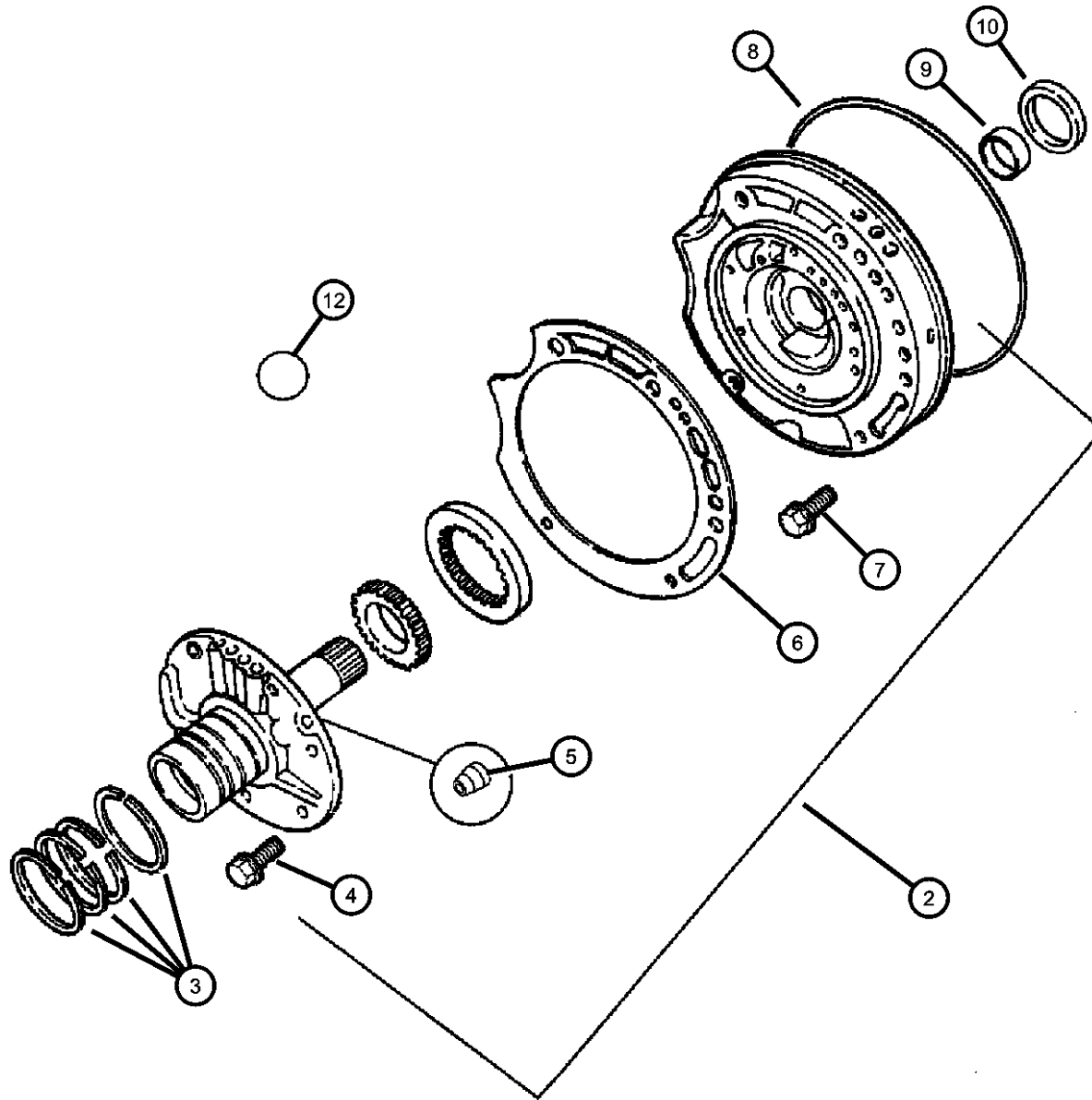
TRANSMISSION  
DGQ = Transmission-5-Spd Automatic 5-45RFE  
DG6 = Transmission-4-Spd. Automatic, 42RLE  
DEH = Transmission-6-Speed Manual, NSG370  
DG0 = Transmissions - All Automatic  
DBB = ALL MANUAL TRANSMISSIONS

AR = use ase required   - = Non illustrated part

2005 KJ

**Oil Pump & Reaction Shaft  
Figure 42RLE-310**

ITEM	PART NUMBER	QTY	LINE	SERIES	BODY	ENGINE	TRANS	TRIM	DESCRIPTION
	04412475	1	J, U				DG6		
		1	T				DG6		
-11	04412844	1	J, U				DG6		GASKET, Transmission Oil Pump
		1	T				DG6		
12	00147482	2	J, U				DG6		BALL, Check Transmission Reaction Shaft
		2	T				DG6		



**LIBERTY (KJ)**

SERIES	LINE
P = LIMITED	J = JEEP - 4WD
H = SPORT	U = JEEP - 4WD (RHD)
M = RENEGADE	T = JEEP - 2WD

BODY  
74 = SPORT UTILITY 4-DR

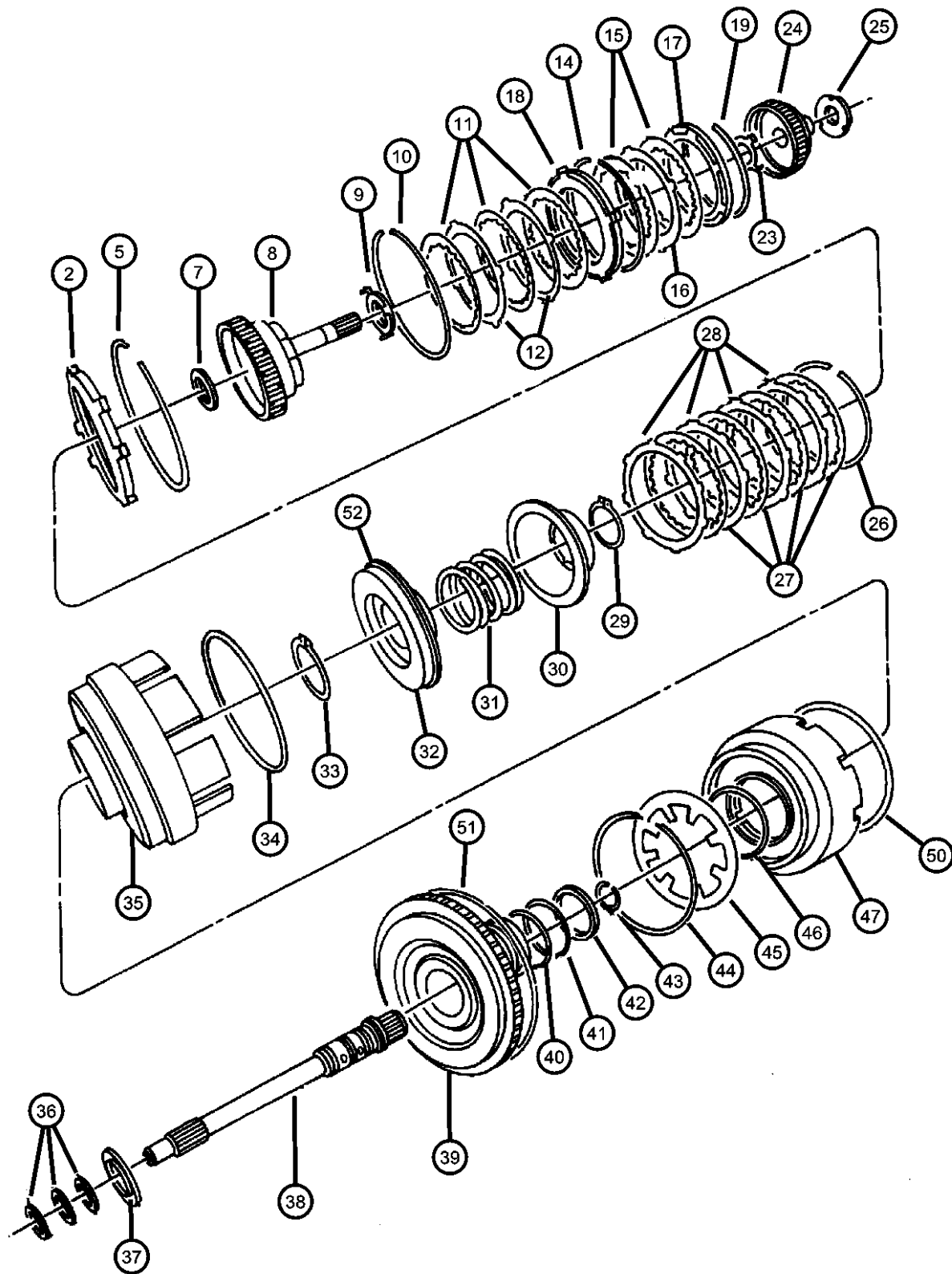
ENGINE  
ED1 = Engine - 2.4L 4 Cyl  
DOHC 16v SMPI  
EKG = Engine - 3.7L V6  
ENR = Engine - 2.8L 4 Cyl  
Turbo Diesel  
ENO = 4CYL turbo diesel

TRANSMISSION  
DGQ = Transmission-5-Spd Automatic  
5-45RFE  
DG6 = Transmission-4-Spd.  
Automatic, 42RLE  
DEH = Transmission-6-Speed Manual,  
NSG370  
DG0 = Transmissions - All Automatic  
DBB = ALL MANUAL  
TRANSMISSIONS

AR = use ase required - = Non illustrated part

2005 KJ

Clutch, Input Shaft  
Figure 42RLE-410



ITEM	PART NUMBER	QTY	LINE	SERIES	BODY	ENGINE	TRANS	TRIM	DESCRIPTION
-1									SEAL AND GASKET PACKAGE, Transmission Front Clutch
	04883240AB	1	T				DG6		
		1	J, U				DG6		
2									PLATE PACKAGE, Underdrive Reaction, 5.72/5.82
	04883013AB	1	J, U				DG6		
		1	T				DG6		
-3									PLATE PACKAGE, Underdrive Reaction, 6.21/6.31
	04883014AB	1	J, U				DG6		
		1	T				DG6		
-4									PLATE PACKAGE, Underdrive Reaction, 6.70/6.80
	04883015AB	1	J, U				DG6		
		1	T				DG6		
5									SNAP RING, Underdrive Clutch, Tapered
	04659934	1	J, U				DG6		
		1	T				DG6		
-6									SNAP RING, Underdrive Clutch, Flat
	04659980	1	J, U				DG6		
		1	T				DG6		
7									THRUST BEARING
	04567262	1	J, U				DG6		
		1	T				DG6		
8									HUB AND SHAFT PACKAGE, Underdrive Clutch
	04864936AC	1	T				DG6		
		1	J, U				DG6		
9									PLATE AND WASHER PACKAGE, Thrust
	05018923AA	1	J, U				DG6		

LIBERTY (KJ)

SERIES LINE  
P = LIMITED J = JEEP - 4WD  
H = SPORT U = JEEP - 4WD (RHD)  
M = RENEGADE T = JEEP - 2WD

BODY  
74 = SPORT UTILITY 4-DR

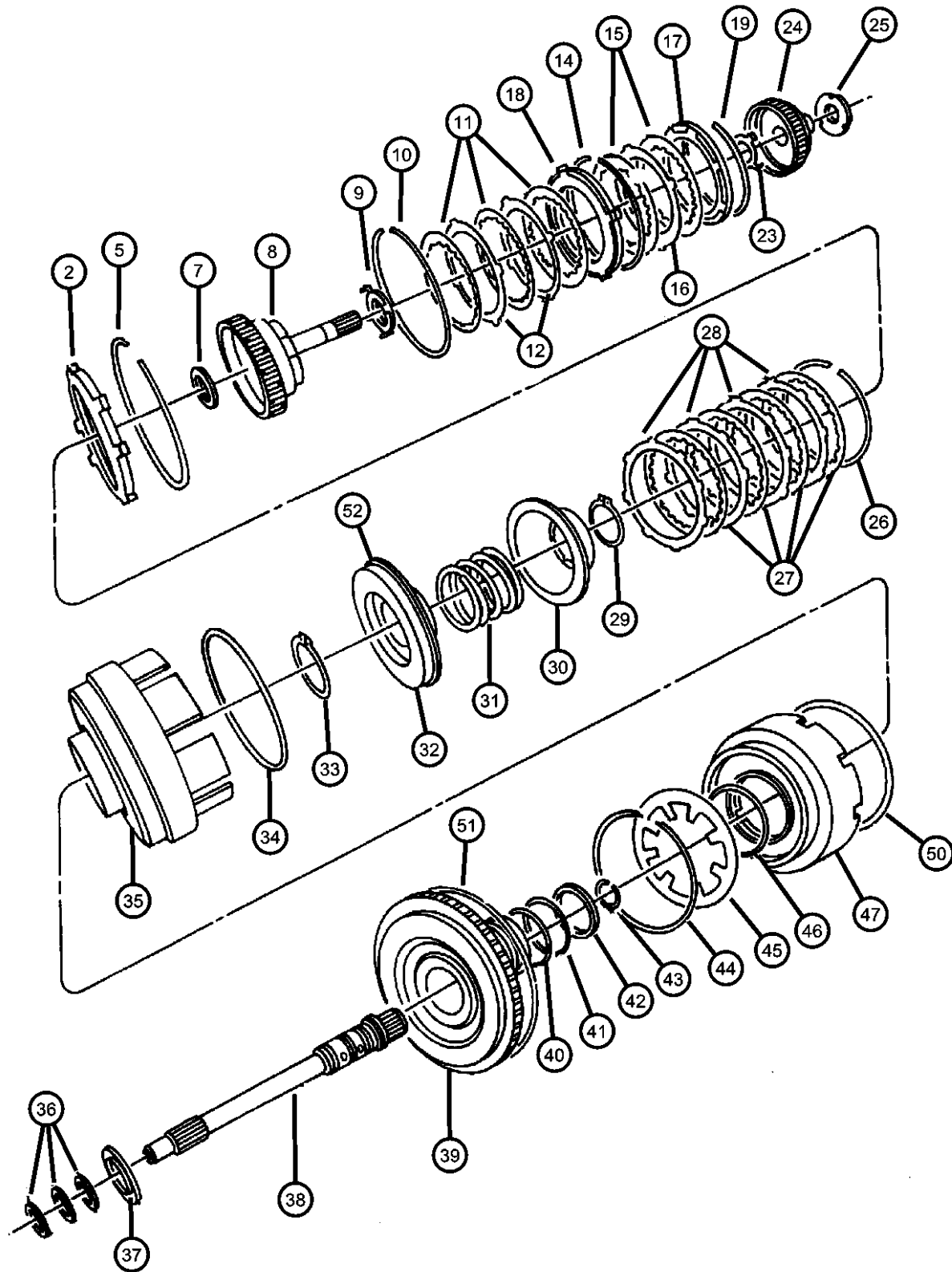
ENGINE  
ED1 = Engine - 2.4L 4 Cyl DOHC 16v SMPI  
EKG = Engine - 3.7L V6  
ENR = Engine - 2.8L 4 Cyl Turbo Diesel  
ENO = 4CYL turbo diesel

TRANSMISSION  
DGQ = Transmission-5-Spd Automatic 5-45RFE  
DG6 = Transmission-4-Spd. Automatic, 42RLE  
DEH = Transmission-6-Speed Manual, NSG370  
DG0 = Transmissions - All Automatic  
DBB = ALL MANUAL TRANSMISSIONS

AR = use ase required - = Non illustrated part

2005 KJ

Clutch, Input Shaft  
Figure 42RLE-410



ITEM	PART NUMBER	QTY	LINE	SERIES	BODY	ENGINE	TRANS	TRIM	DESCRIPTION
		1	T				DG6		
10		1	J, U				DG6		SNAP RING
	04505621	1	J, U				DG6		
		1	T				DG6		
11		4	J, U				DG6		DISC, Clutch
	04531678	4	J, U				DG6		
		4	T				DG6		
12		3	J, U				DG6		PLATE, Transmission O/Drive Clutch
	04659053	3	J, U				DG6		
		4	T				DG6		
-13		1	T				DG6		HUB PACKAGE, Input Clutch
	05017518AB	1	T				DG6		
		1	J, U				DG6		
14		1	J, U				DG6		SNAP RING
	04505622	1	J, U				DG6		
		1	T				DG6		
15		4	J, U				DG6		DISC, Clutch
	04531678	4	J, U				DG6		
		4	T				DG6		
16		4	J, U				DG6		PLATE, Transmission O/Drive Clutch
	04659053	4	J, U				DG6		
		4	T				DG6		
17		1	J, U				DG6		PLATE, Transmission Clutch Reaction
	04377194	1	J, U				DG6		
		1	T				DG6		
18		1	J, U				DG6		PLATE, Transmission O/Drive Clutch
	04531556AD	1	J, U				DG6		
		1	T				DG6		
19		1	J, U				DG6		SNAP RING
	04377195	1	J, U				DG6		

LIBERTY (KJ)

SERIES LINE  
P = LIMITED J = JEEP - 4WD  
H = SPORT U = JEEP - 4WD (RHD)  
M = RENEGADE T = JEEP - 2WD

BODY  
74 = SPORT UTILITY 4-DR

ENGINE  
ED1 = Engine - 2.4L 4 Cyl DOHC 16v SMPI  
EKG = Engine - 3.7L V6  
ENR = Engine - 2.8L 4 Cyl Turbo Diesel  
ENO = 4CYL turbo diesel

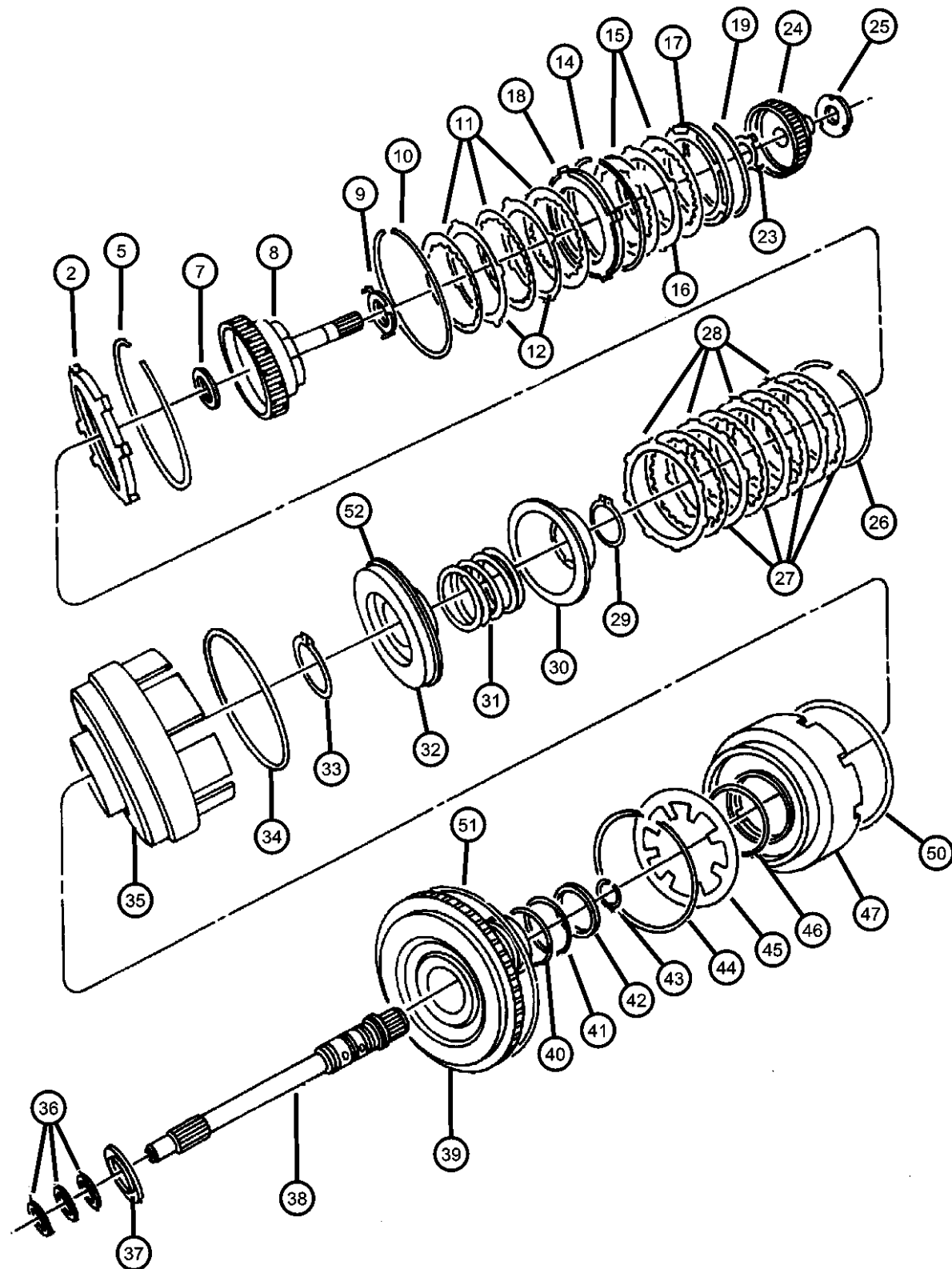
TRANSMISSION  
DGQ = Transmission-5-Spd Automatic 5-45RFE  
DG6 = Transmission-4-Spd. Automatic, 42RLE  
DEH = Transmission-6-Speed Manual, NSG370  
DG0 = Transmissions - All Automatic  
DBB = ALL MANUAL TRANSMISSIONS

AR = use ase required - = Non illustrated part

2005 KJ



Clutch, Input Shaft  
Figure 42RLE-410



ITEM	PART NUMBER	QTY	LINE	SERIES	BODY	ENGINE	TRANS	TRIM	DESCRIPTION
-20		1	T				DG6		SNAP RING, Reverse Clutch, 1.77-1.83mm
	04412871	1	J, U				DG6		
-21		1	T				DG6		SNAP RING, Reverse Clutch, 2.02-2.07mm
	04412872	1	J, U				DG6		
-22		1	T				DG6		SNAP RING, Reverse Clutch, 2.27-2.32mm
	04412873	1	J, U				DG6		
23		1	T				DG6		PLATE AND WASHER PACKAGE, Thrust
	05018923AA	1	J, U				DG6		
24		1	T				DG6		HUB AND SHAFT, Overdrive Clutch
	04659993	1	J, U				DG6		
25		1	T				DG6		PLATE, Transmission O/Drive Clutch
	03836237AB	AR	J, U				DG6		[1.70/1.77MM]
		AR	T				DG6		[1.70/1.77MM]
	03836238AB	AR	J, U				DG6		[1.92/1.99MM]
		AR	T				DG6		[1.92/1.99MM]
	03836239AB	AR	J, U				DG6		[2.14/2.21MM]
		AR	T				DG6		[2.14/2.21MM]
	03836240AB	AR	J, U				DG6		[2.36/2.43MM]
		AR	T				DG6		[2.36/2.43MM]
	03836241AB	AR	J, U				DG6		[2.58/2.65MM]
		AR	T				DG6		[2.58/2.65MM]
	04431665AB	AR	J, U				DG6		[1.55/1.66MM]
		AR	T				DG6		[1.55/1.66MM]

LIBERTY (KJ)

SERIES LINE  
P = LIMITED J = JEEP - 4WD  
H = SPORT U = JEEP - 4WD (RHD)  
M = RENEGADE T = JEEP - 2WD

BODY  
74 = SPORT UTILITY 4-DR

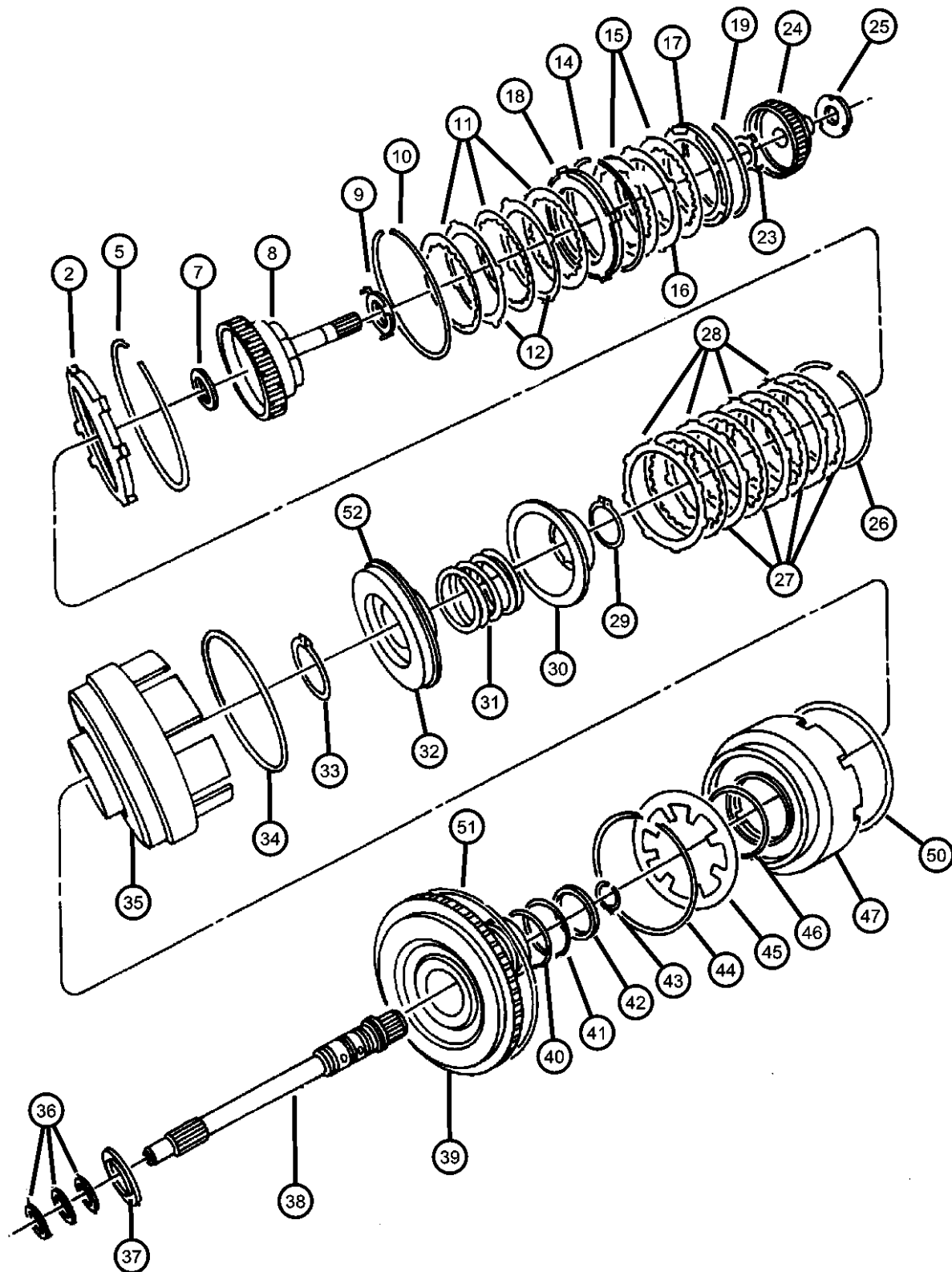
ENGINE  
ED1 = Engine - 2.4L 4 Cyl DOHC 16v SMPI  
EKG = Engine - 3.7L V6  
ENR = Engine - 2.8L 4 Cyl Turbo Diesel  
ENO = 4CYL turbo diesel

TRANSMISSION  
DGQ = Transmission-5-Spd Automatic 5-45RFE  
DG6 = Transmission-4-Spd. Automatic, 42RLE  
DEH = Transmission-6-Speed Manual, NSG370  
DG0 = Transmissions - All Automatic  
DBB = ALL MANUAL TRANSMISSIONS

AR = use ase required - = Non illustrated part

2005 KJ

Clutch, Input Shaft  
Figure 42RLE-410



ITEM	PART NUMBER	QTY	LINE	SERIES	BODY	ENGINE	TRANS	TRIM	DESCRIPTION
	04431666AB	AR	J, U				DG6		[1.81/1.88MM]
		AR	T				DG6		[1.81/1.88MM]
	04431667AB	AR	J, U				DG6		[2.03/2.10MM]
		AR	T				DG6		[2.03/2.10MM]
	04431668AB	AR	J, U				DG6		[2.25/2.32MM]
		AR	T				DG6		[2.25/2.32MM]
	04431669AB	AR	J, U				DG6		[2.47/2.52MM]
		AR	T				DG6		[2.47/2.52MM]
	04446670AB	AR	J, U				DG6		[2.69/2.76MM]
		AR	T				DG6		[2.69/2.76MM]
	04446671AB	AR	J, U				DG6		[2.91/2.98MM]
		AR	T				DG6		[2.91/2.98MM]
26									SNAP RING, Underdrive Clutch, Flat
	04659980	1	J, U				DG6		
		1	T				DG6		
27									DISC, Clutch
	04531678	4	J, U				DG6		
		4	T				DG6		
28									PLATE, Transmission O/Drive Clutch
	04659053	4	J, U				DG6		
		4	T				DG6		
29									SNAP RING
	06501715	1	J, U				DG6		
		1	T				DG6		
30									RETAINER AND SEAL, Transmission U/Drive Spring
	04431612	1	J, U				DG6		
		1	T				DG6		
31									SPRING, Drive Lower Case
	04377177	1	J, U				DG6		
		1	T				DG6		

LIBERTY (KJ)

SERIES      LINE  
P = LIMITED      J = JEEP - 4WD  
H = SPORT      U = JEEP - 4WD (RHD)  
M = RENEGADE      T = JEEP - 2WD

BODY  
74 = SPORT UTILITY 4-DR

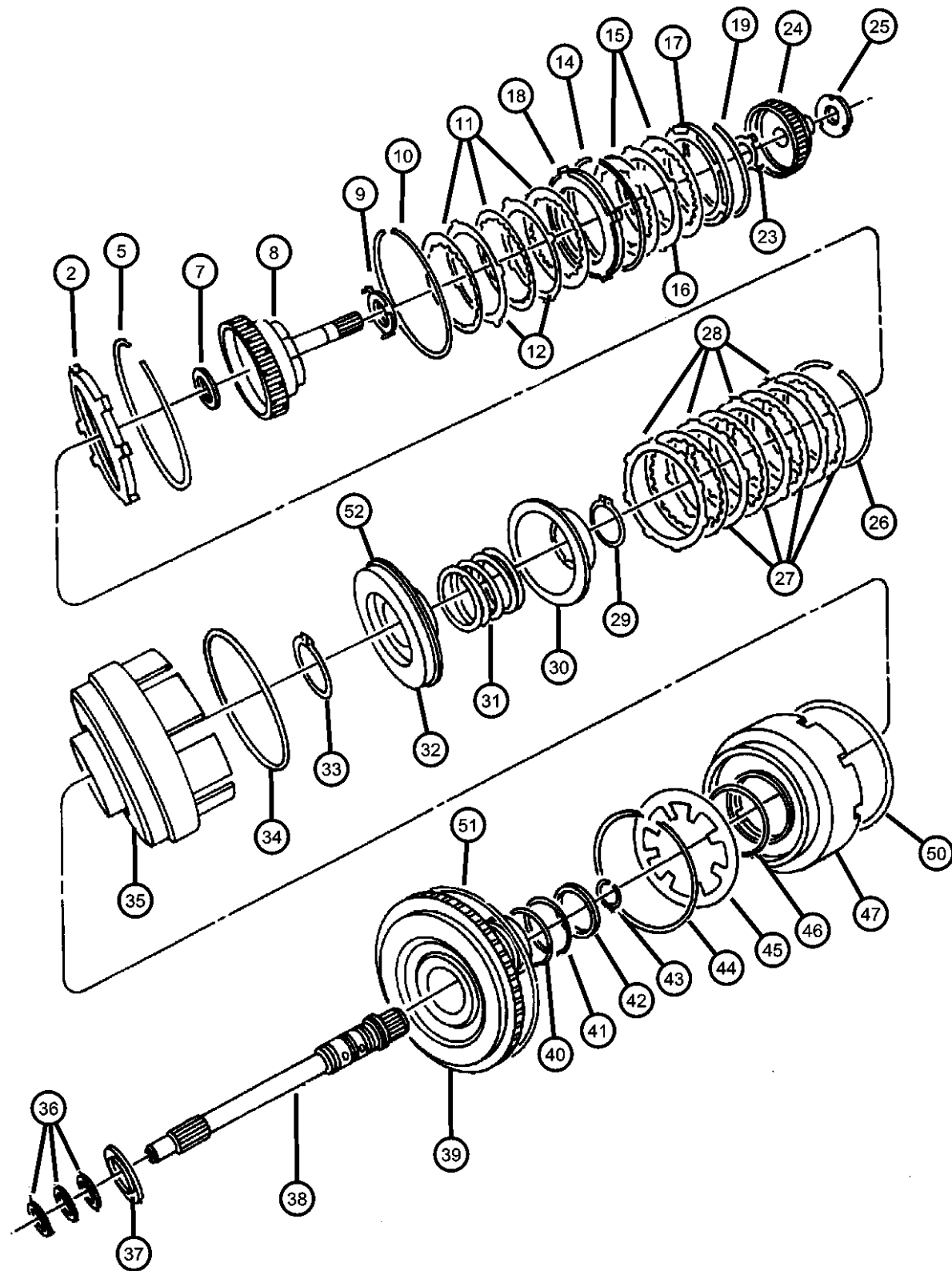
ENGINE  
ED1 = Engine - 2.4L 4 Cyl DOHC 16v SMPI  
EKG = Engine - 3.7L V6  
ENR = Engine - 2.8L 4 Cyl Turbo Diesel  
ENO = 4CYL turbo diesel

TRANSMISSION  
DGQ = Transmission-5-Spd Automatic 5-45RFE  
DG6 = Transmission-4-Spd. Automatic, 42RLE  
DEH = Transmission-6-Speed Manual, NSG370  
DG0 = Transmissions - All Automatic  
DBB = ALL MANUAL TRANSMISSIONS

AR = use ase required - = Non illustrated part

2005 KJ

Clutch, Input Shaft  
Figure 42RLE-410



ITEM	PART NUMBER	QTY	LINE	SERIES	BODY	ENGINE	TRANS	TRIM	DESCRIPTION
32	05103073AA	1	T				DG6		GASKET PACKAGE, Transmission
		1	J, U				DG6		
33	06507226AA	1	J, U				DG6		SNAP RING
		1	T				DG6		
34	04659871	1	J, U				DG6		SEAL, Piston Outer, 140mm OD
		1	T				DG6		
35	04659935	1	J, U				DG6		RETAINER, Transmission Input Clutch
		1	T				DG6		
36	04446543	3	J, U				DG6		SEAL, Input Shaft
		3	T				DG6		
37	04412209	1	J, U				DG6		THRUST BEARING
		1	T				DG6		
38	04626452AB	1	T				DG6		INPUT SHAFT PACKAGE, Transaxle
		1	J, U				DG6		
39		1							HUB, Input Clutch, Serviced in Assembly, (NOT SERVICED)
40	06502271	1	J, U				DG6		O RING, Transmission Clutch
		1	T				DG6		
41	06502269	1	J, U				DG6		O RING, Transmission Clutch
		1	T				DG6		
42	04659391AB	1	J, U				DG6		SEAL, Under Drive

LIBERTY (KJ)

SERIES      LINE  
P = LIMITED      J = JEEP - 4WD  
H = SPORT      U = JEEP - 4WD (RHD)  
M = RENEGADE      T = JEEP - 2WD

BODY  
74 = SPORT UTILITY 4-DR

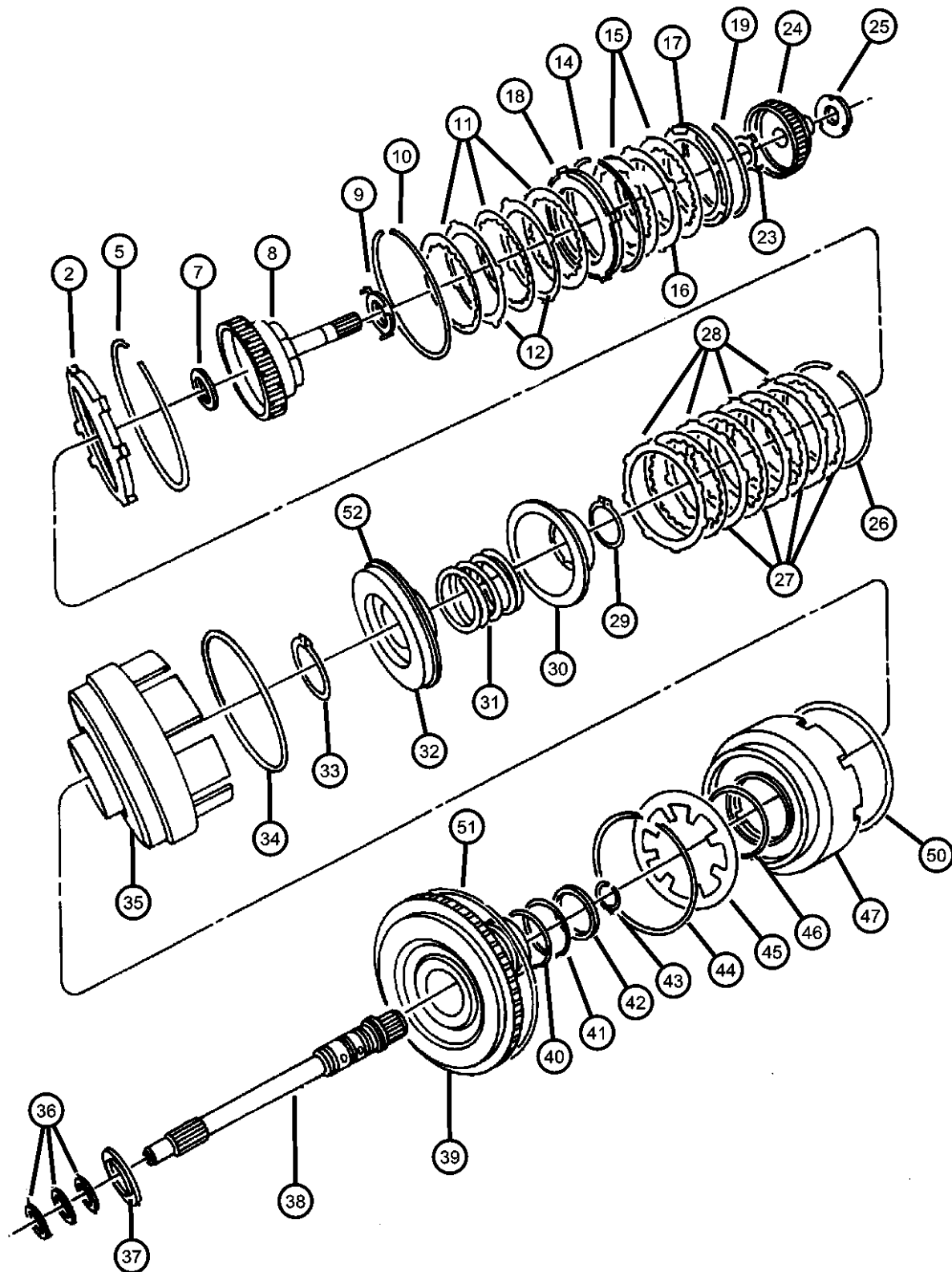
ENGINE  
ED1 = Engine - 2.4L 4 Cyl DOHC 16v SMPI  
EKG = Engine - 3.7L V6  
ENR = Engine - 2.8L 4 Cyl Turbo Diesel  
ENO = 4CYL turbo diesel

TRANSMISSION  
DGQ = Transmission-5-Spd Automatic 5-45RFE  
DG6 = Transmission-4-Spd. Automatic, 42RLE  
DEH = Transmission-6-Speed Manual, NSG370  
DG0 = Transmissions - All Automatic  
DBB = ALL MANUAL TRANSMISSIONS

AR = use ase required - = Non illustrated part

2005 KJ

Clutch, Input Shaft  
Figure 42RLE-410



ITEM	PART NUMBER	QTY	LINE	SERIES	BODY	ENGINE	TRANS	TRIM	DESCRIPTION
43		1	T				DG6		SNAP RING
	06501702	1	J, U				DG6		
44		1	T				DG6		SNAP RING
	04412203	1	J, U				DG6		
45		1	T				DG6		SPRING, Overdrive Piston
	04412202	1	J, U				DG6		
46		1	T				DG6		O RING, Reverse & O/Drive Clutch Piston, Transmission
	06033158	1	J, U				DG6		
47		1	T				DG6		HUB PACKAGE, Input Clutch
	05017518AB	1	J, U				DG6		
-48		1							PISTON, Reverse and Overdrive, Serviced in Assembly, (NOT SERVICED)
-49		1							FILTER, Reverse And O/D Clutch
	04531903	1	J, U				DG6		
50		1	T				DG6		SEAL, Reverse Servo Piston
	04659056	1	J, U				DG6		
51		1	T				DG6		SEAL, Reverse Servo Piston
	04659056	1	J, U				DG6		
52		1	T				DG6		PISTON, Underdrive
	04431610	1	J, U				DG6		
		1	T				DG6		

LIBERTY (KJ)

SERIES LINE  
 P = LIMITED J = JEEP - 4WD  
 H = SPORT U = JEEP - 4WD (RHD)  
 M = RENEGADE T = JEEP - 2WD

BODY  
 74 = SPORT UTILITY 4-DR

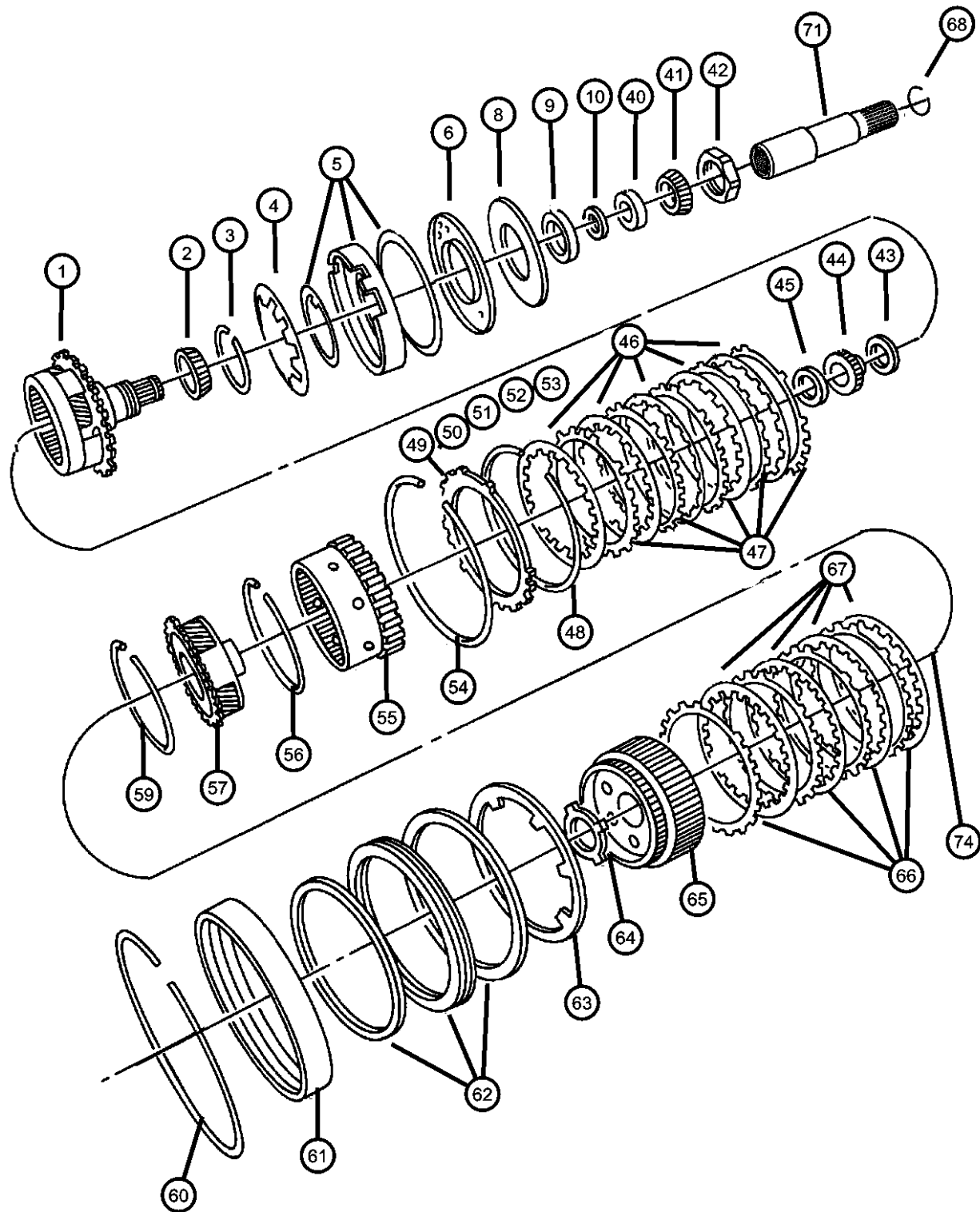
ENGINE  
 ED1 = Engine - 2.4L 4 Cyl  
 DOHC 16v SMPI  
 EKG = Engine - 3.7L V6  
 ENR = Engine - 2.8L 4 Cyl  
 Turbo Diesel  
 ENO = 4CYL turbo diesel

TRANSMISSION  
 DGQ = Transmission-5-Spd Automatic  
 5-45RFE  
 DG6 = Transmission-4-Spd.  
 Automatic, 42RLE  
 DEH = Transmission-6-Speed Manual,  
 NSG370  
 DG0 = Transmissions - All Automatic  
 DBB = ALL MANUAL  
 TRANSMISSIONS

AR = use ase required - = Non illustrated part

2005 KJ

**Gear Train**  
**Figure 42RLE-420**



ITEM	PART NUMBER	QTY	LINE	SERIES	BODY	ENGINE	TRANS	TRIM	DESCRIPTION
1	05101874AA	1	J, U				DG6		CARRIER AND BEARING, Planet Pinion
		1	T				DG6		
2	04412235	1	J, U				DG6		BEARING CONE, Output Shaft
		1	T				DG6		
3	06501853	1	J, U				DG6		SNAP RING
		1	T				DG6		
4	04800236AA	1	T				DG6		SPRING, Low/Reverse Clutch Piston
		1	J, U				DG6		
5	04800261AA	1	J, U				DG6		PISTON, Low and Reverse Clutch
		1	T				DG6		
6	04800255AA	1	J, U				DG6		RETAINER, Transmission Low and Reverse Clutch Piston
		1	T				DG6		
-7	06501819	3	J, U				DG6		SCREW AND WASHER, Pan Head, M5x0.8x11.00
		3	T				DG6		
8	04800253AA	1	J, U				DG6		GASKET, Clutch Retainer
		1	T				DG6		
9	04412234	1	J, U				DG6		BEARING CUP, Output Shaft
		1	T				DG6		
10									SHIM, Carrier Bearing, 5.17 - 5.19mm

NOTE:  
Sales Codes:  
[DG6]=4 Speed Automatic Transmission - 42RLE

**LIBERTY (KJ)**

SERIES      LINE  
P = LIMITED      J = JEEP - 4WD  
H = SPORT      U = JEEP - 4WD (RHD)  
M = RENEGADE      T = JEEP - 2WD

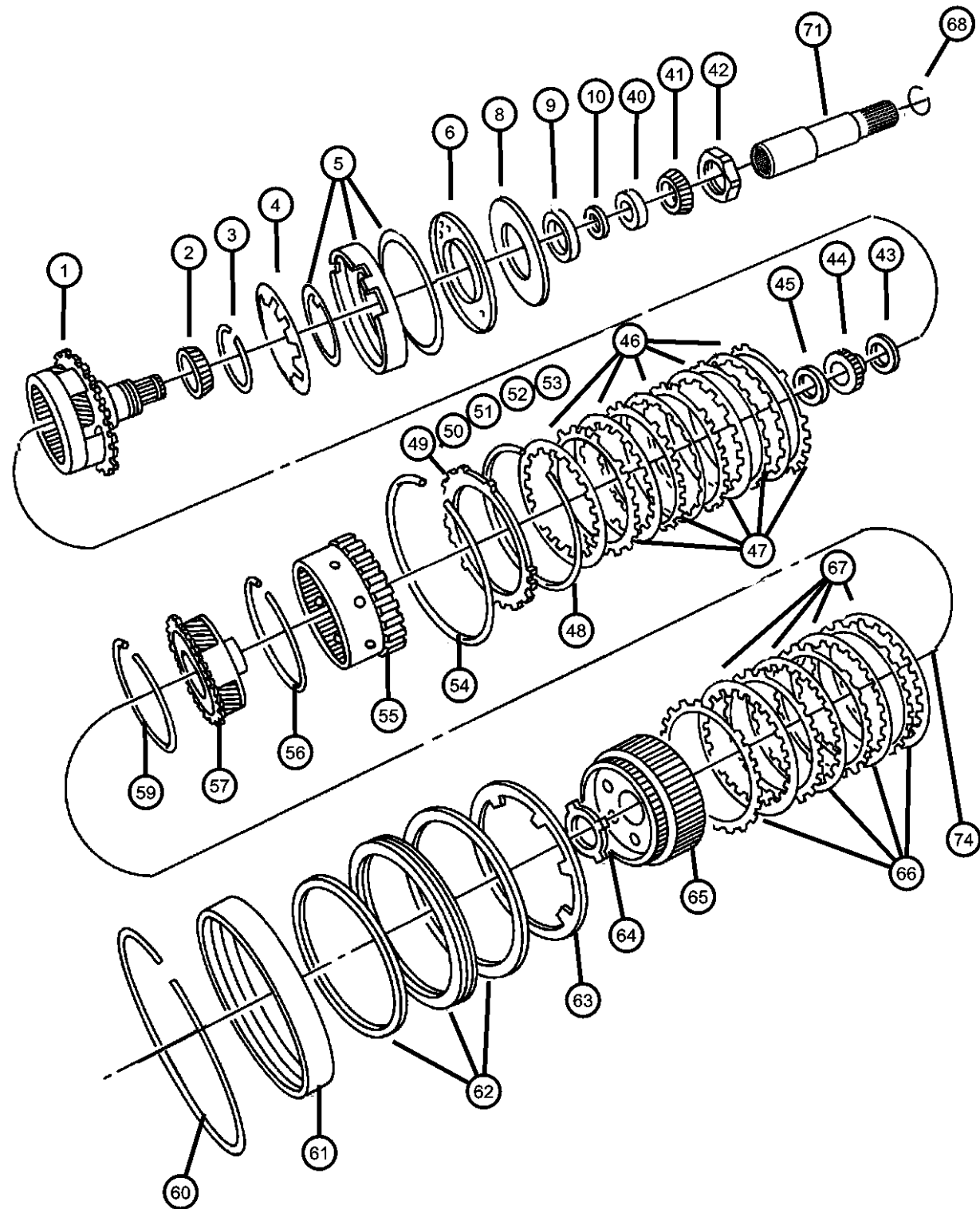
BODY  
74 = SPORT UTILITY 4-DR

ENGINE  
ED1 = Engine - 2.4L 4 Cyl DOHC 16v SMPI  
EKG = Engine - 3.7L V6  
ENR = Engine - 2.8L 4 Cyl Turbo Diesel  
ENO = 4CYL turbo diesel

TRANSMISSION  
DGQ = Transmission-5-Spd Automatic 5-45RFE  
DG6 = Transmission-4-Spd. Automatic, 42RLE  
DEH = Transmission-6-Speed Manual, NSG370  
DG0 = Transmissions - All Automatic  
DBB = ALL MANUAL TRANSMISSIONS

AR = use ase required    - = Non illustrated part

**Gear Train**  
**Figure 42RLE-420**



ITEM	PART NUMBER	QTY	LINE	SERIES	BODY	ENGINE	TRANS	TRIM	DESCRIPTION
	05280020	AR	J, U				DG6		
		AR	T				DG6		
-11	05280021	AR	J, U				DG6		SHIM, Carrier Bearing, 5.20 - 5.22mm
		AR	T				DG6		
-12	05280022	AR	J, U				DG6		SHIM, Carrier Bearing, 5.23 - 5.25mm
		AR	T				DG6		
-13	05280023	AR	J, U				DG6		SHIM, Carrier Bearing, 5.26 - 5.28mm
		AR	T				DG6		
-14	05280024	AR	J, U				DG6		SHIM, Carrier Bearing, 5.29 - 5.31mm
		AR	T				DG6		
-15	05280025	AR	J, U				DG6		SHIM, Carrier Bearing, 5.32 - 5.34mm
		AR	T				DG6		
-16	05280026	AR	J, U				DG6		SHIM, Carrier Bearing, 5.35 - 5.37mm
		AR	T				DG6		
-17	05280027	AR	J, U				DG6		SHIM, Carrier Bearing, 5.38 - 5.40mm
		AR	T				DG6		
-18	05280028	AR	J, U				DG6		SHIM, Carrier Bearing, 5.41 - 5.43mm
		AR	T				DG6		
-19	05280029	AR	J, U				DG6		SHIM, Carrier Bearing, 5.44 - 5.46mm

**LIBERTY (KJ)**

SERIES      LINE  
P = LIMITED      J = JEEP - 4WD  
H = SPORT      U = JEEP - 4WD (RHD)  
M = RENEGADE      T = JEEP - 2WD

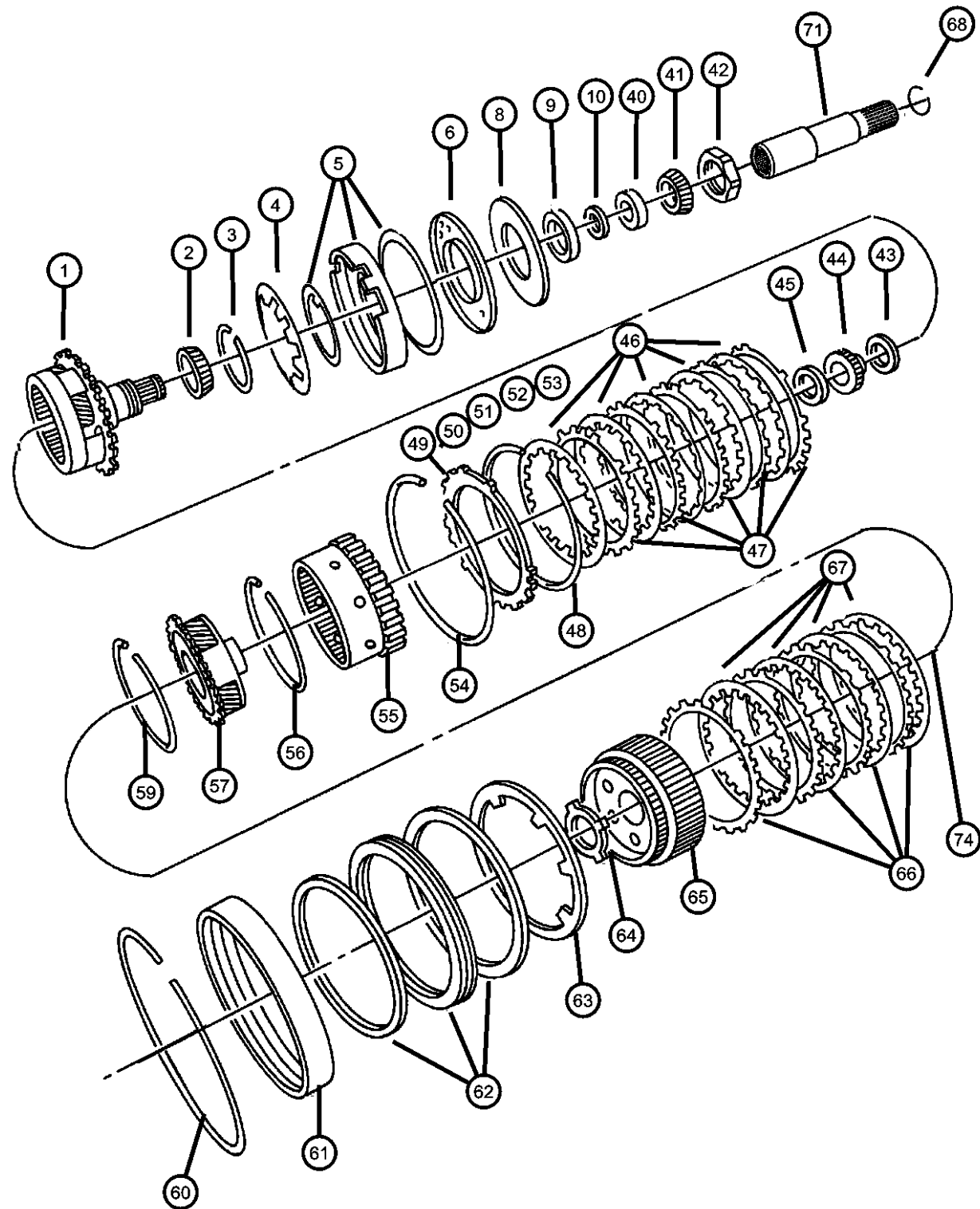
BODY  
74 = SPORT UTILITY 4-DR

ENGINE  
ED1 = Engine - 2.4L 4 Cyl DOHC 16v SMPI  
EKG = Engine - 3.7L V6  
ENR = Engine - 2.8L 4 Cyl Turbo Diesel  
ENO = 4CYL turbo diesel

TRANSMISSION  
DGQ = Transmission-5-Spd Automatic 5-45RFE  
DG6 = Transmission-4-Spd. Automatic, 42RLE  
DEH = Transmission-6-Speed Manual, NSG370  
DG0 = Transmissions - All Automatic  
DBB = ALL MANUAL TRANSMISSIONS

AR = use ase required    - = Non illustrated part

**Gear Train**  
**Figure 42RLE-420**



ITEM	PART NUMBER	QTY	LINE	SERIES	BODY	ENGINE	TRANS	TRIM	DESCRIPTION
-20		AR	T				DG6		SHIM, Carrier Bearing, 5.47 - 5.49mm
	05280030	AR	J, U				DG6		
		AR	T				DG6		
-21									SHIM, Carrier Bearing, 5.50 - 5.52mm
	05280031	AR	T				DG6		
		AR	U, J				DG6		
-22									SHIM, Carrier Bearing, 5.53 - 5.55mm
	05280032	AR	J, U				DG6		
		AR	T				DG6		
-23									SHIM, Carrier Bearing, 5.56 - 5.58mm
	05280033	AR	J, U				DG6		
		AR	T				DG6		
-24									SHIM, Carrier Bearing, 5.59 - 5.61mm
	05280034	AR	J, U				DG6		
		AR	T				DG6		
-25									SHIM, Carrier Bearing, 5.62 - 5.64mm
	05280035	AR	J, U				DG6		
		AR	T				DG6		
-26									SHIM, Carrier Bearing, 5.65 - 5.67mm
	05280036	AR	J, U				DG6		
		AR	T				DG6		
-27									SHIM, Carrier Bearing, 5.68 - 5.70mm
	05280037	AR	J, U				DG6		
		AR	T				DG6		
-28									SHIM, Carrier Bearing, 5.71 - 5.73mm
	05280038	AR	J, U				DG6		
		AR	T				DG6		

**LIBERTY (KJ)**

SERIES      LINE  
P = LIMITED      J = JEEP - 4WD  
H = SPORT      U = JEEP - 4WD (RHD)  
M = RENEGADE      T = JEEP - 2WD

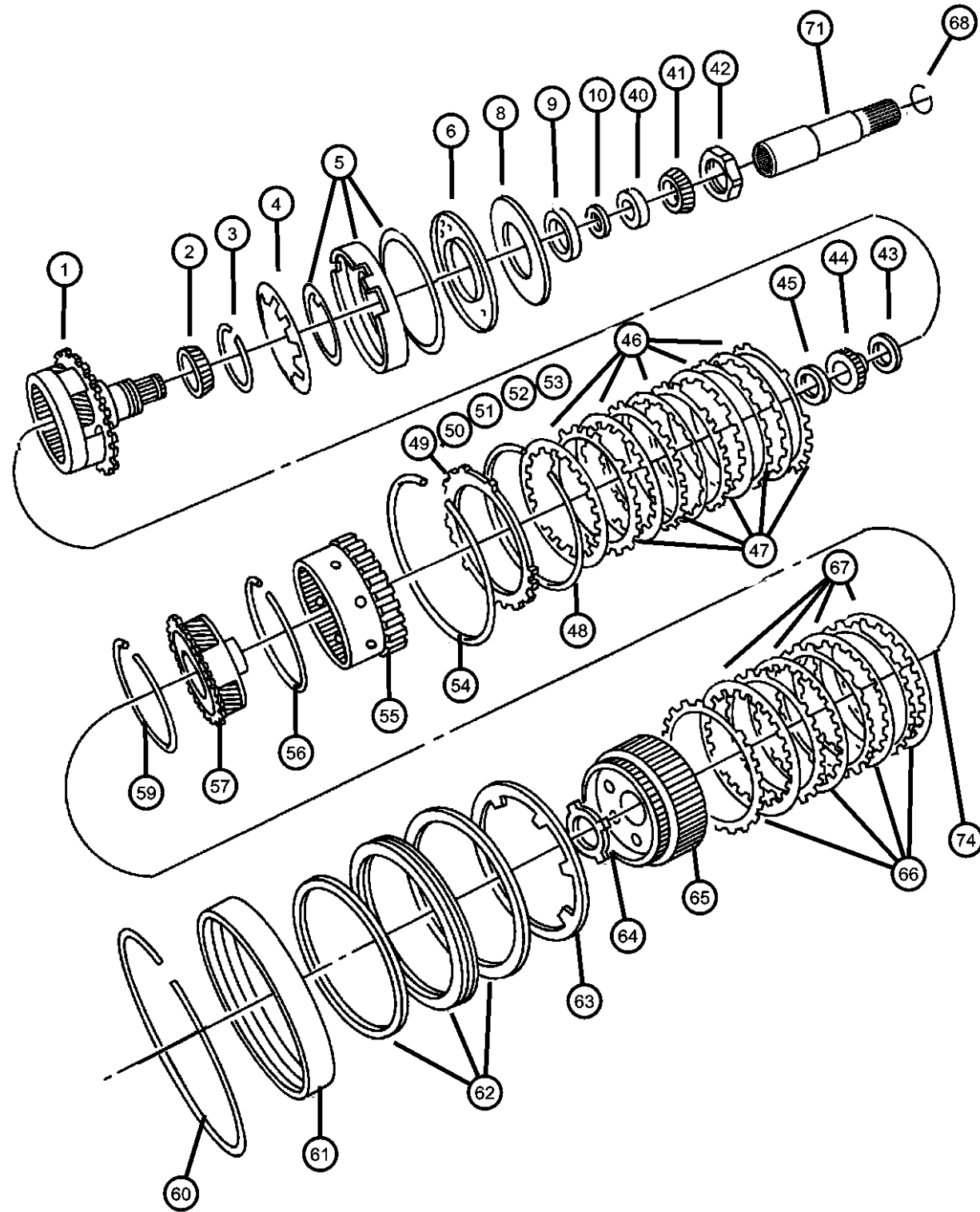
BODY  
74 = SPORT UTILITY 4-DR

ENGINE  
ED1 = Engine - 2.4L 4 Cyl DOHC 16v SMPI  
EKG = Engine - 3.7L V6  
ENR = Engine - 2.8L 4 Cyl Turbo Diesel  
ENO = 4CYL turbo diesel

TRANSMISSION  
DGQ = Transmission-5-Spd Automatic 5-45RFE  
DG6 = Transmission-4-Spd. Automatic, 42RLE  
DEH = Transmission-6-Speed Manual, NSG370  
DG0 = Transmissions - All Automatic  
DBB = ALL MANUAL TRANSMISSIONS

AR = use ase required    - = Non illustrated part

**Gear Train**  
**Figure 42RLE-420**



ITEM	PART NUMBER	QTY	LINE	SERIES	BODY	ENGINE	TRANS	TRIM	DESCRIPTION
-29									SHIM, Carrier Bearing, 5.74 - 5.76mm
	05280039	AR	J, U				DG6		
		AR	T				DG6		
-30									SHIM, Carrier Bearing, 5.77 - 5.79mm
	05280040	AR	J, U				DG6		
		AR	T				DG6		
-31									SHIM, Carrier Bearing, 5.80 - 5.82mm
	05280041	AR	T				DG6		
		AR	J, U				DG6		
-32									SHIM, Carrier Bearing, 5.83 - 5.85mm
	05280042	AR	J, U				DG6		
		AR	T				DG6		
-33									SHIM, Carrier Bearing, 5.86 - 5.88mm
	05280043	AR	J, U				DG6		
		AR	T				DG6		
-34									SHIM, Carrier Bearing, 5.89 - 5.91mm
	05280044	AR	J, U				DG6		
		AR	T				DG6		
-35									SHIM, Carrier Bearing, 5.92 - 5.94mm
	05280045	AR	J, U				DG6		
		AR	T				DG6		
-36									SHIM, Carrier Bearing, 5.95 - 5.97mm
	05280046	AR	J, U				DG6		
		AR	T				DG6		
-37									SHIM, Carrier Bearing, 5.98 - 6.00mm
	05280047	AR	J, U				DG6		
		AR	T				DG6		

**LIBERTY (KJ)**

SERIES      LINE  
P = LIMITED      J = JEEP - 4WD  
H = SPORT      U = JEEP - 4WD (RHD)  
M = RENEGADE      T = JEEP - 2WD

BODY  
74 = SPORT UTILITY 4-DR

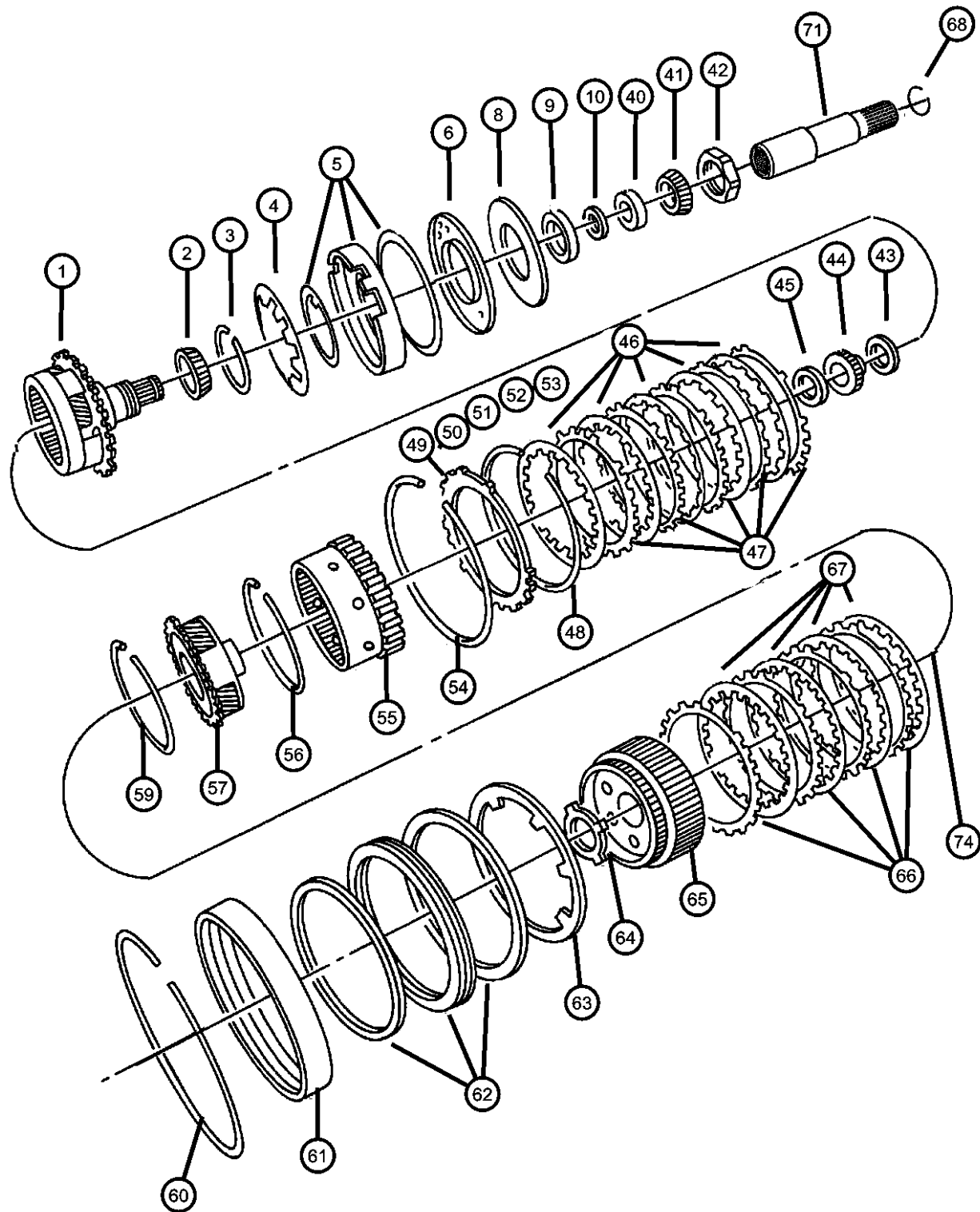
ENGINE  
ED1 = Engine - 2.4L 4 Cyl DOHC 16v SMPI  
EKG = Engine - 3.7L V6  
ENR = Engine - 2.8L 4 Cyl Turbo Diesel  
ENO = 4CYL turbo diesel

TRANSMISSION  
DGQ = Transmission-5-Spd Automatic 5-45RFE  
DG6 = Transmission-4-Spd. Automatic, 42RLE  
DEH = Transmission-6-Speed Manual, NSG370  
DG0 = Transmissions - All Automatic  
DBB = ALL MANUAL TRANSMISSIONS

AR = use ase required    - = Non illustrated part



**Gear Train**  
**Figure 42RLE-420**



ITEM	PART NUMBER	QTY	LINE	SERIES	BODY	ENGINE	TRANS	TRIM	DESCRIPTION
-38									SHIM, Carrier Bearing, 6.01 - 6.03mm
	05280048	AR	J, U				DG6		
		AR	T				DG6		
-39									SHIM, Carrier Bearing, 6.04 - 6.06mm
	05280049	AR	J, U				DG6		
		AR	T				DG6		
40									BEARING CUP, Differential
	04567022	1	J, U				DG6		
		1	T				DG6		
41									BEARING CONE, Differential
	04567025AB	1	J, U				DG6		
		1	T				DG6		
42									NUT, Rear Carrier, M36 x 1.50
	06502476	1	J, U				DG6		
		1	T				DG6		
43									THRUST BEARING
	04412209	1	J, U				DG6		
		1	T				DG6		
44									GEAR, Sun
	04377080	1	J, U				DG6		
		1	T				DG6		
45									THRUST BEARING, Rear Sun Gear, Front
	04412229AB	1	J, U				DG6		
		1	T				DG6		
46									DISC, Clutch
	04567573AB	5	T				DG6		
		5	J, U				DG6		
47									PLATE, Transmission Clutch Reaction
	04659055	5	J, U				DG6		
		5	T				DG6		

**LIBERTY (KJ)**

SERIES      LINE  
P = LIMITED      J = JEEP - 4WD  
H = SPORT      U = JEEP - 4WD (RHD)  
M = RENEGADE      T = JEEP - 2WD

BODY  
74 = SPORT UTILITY 4-DR

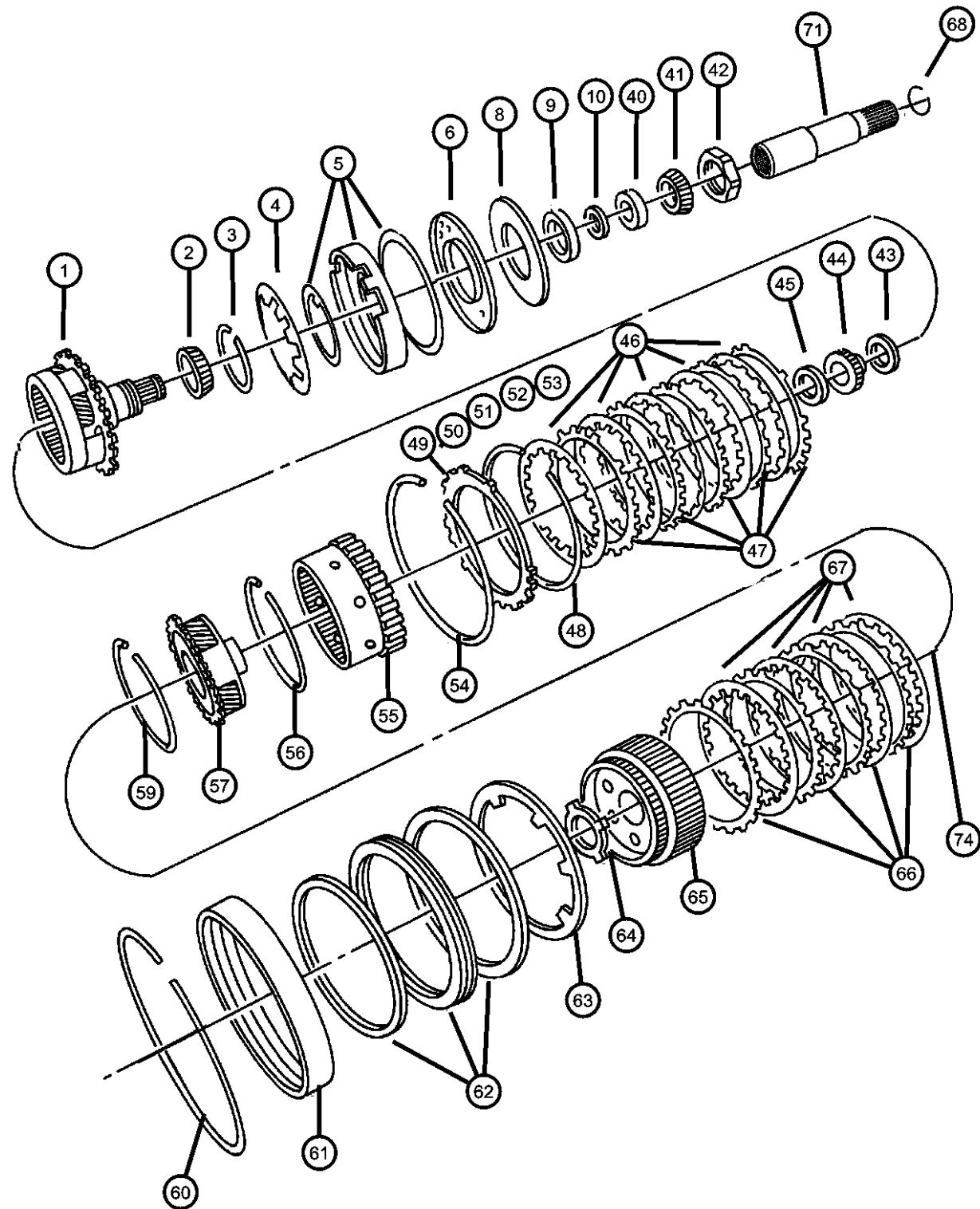
ENGINE  
ED1 = Engine - 2.4L 4 Cyl DOHC 16v SMPI  
EKG = Engine - 3.7L V6  
ENR = Engine - 2.8L 4 Cyl Turbo Diesel  
ENO = 4CYL turbo diesel

TRANSMISSION  
DGQ = Transmission-5-Spd Automatic 5-45RFE  
DG6 = Transmission-4-Spd. Automatic, 42RLE  
DEH = Transmission-6-Speed Manual, NSG370  
DG0 = Transmissions - All Automatic  
DBB = ALL MANUAL TRANSMISSIONS

AR = use ase required - = Non illustrated part



**Gear Train**  
**Figure 42RLE-420**



ITEM	PART NUMBER	QTY	LINE	SERIES	BODY	ENGINE	TRANS	TRIM	DESCRIPTION
-58		1	T				DG6		THRUST BEARING
	04412209	1	J, U				DG6		
		1	T				DG6		
59									SNAP RING
	06035238	2	J, U				DG6		
		2	T				DG6		
60									SNAP RING
	04505591	1	J, U				DG6		
		1	T				DG6		
61									RETAINER PACKAGE, 2nd & 4th Clutch Piston
	05102880AA	1	T				DG6		
		1	J, U				DG6		
62									RETAINER PACKAGE, 2nd & 4th Clutch Piston
	05102880AA	1	T				DG6		
		1	J, U				DG6		
63									SPRING, 2nd And 4th Clutch Piston
	04412248	1	J, U				DG6		
		1	T				DG6		
64									THRUST WASHER, Second and Fourth Clutch
	04412216AB	1	J, U				DG6		
		1	T				DG6		
65									HUB AND GEAR, Second And Fourth Clutch
	04659618AB	1	J, U				DG6		
		1	T				DG6		
66									PLATE, Transmission Clutch Reaction
	04659054	4	J, U				DG6		
		4	T				DG6		
67									DISC, Clutch

**LIBERTY (KJ)**

SERIES      LINE  
P = LIMITED      J = JEEP - 4WD  
H = SPORT      U = JEEP - 4WD (RHD)  
M = RENEGADE      T = JEEP - 2WD

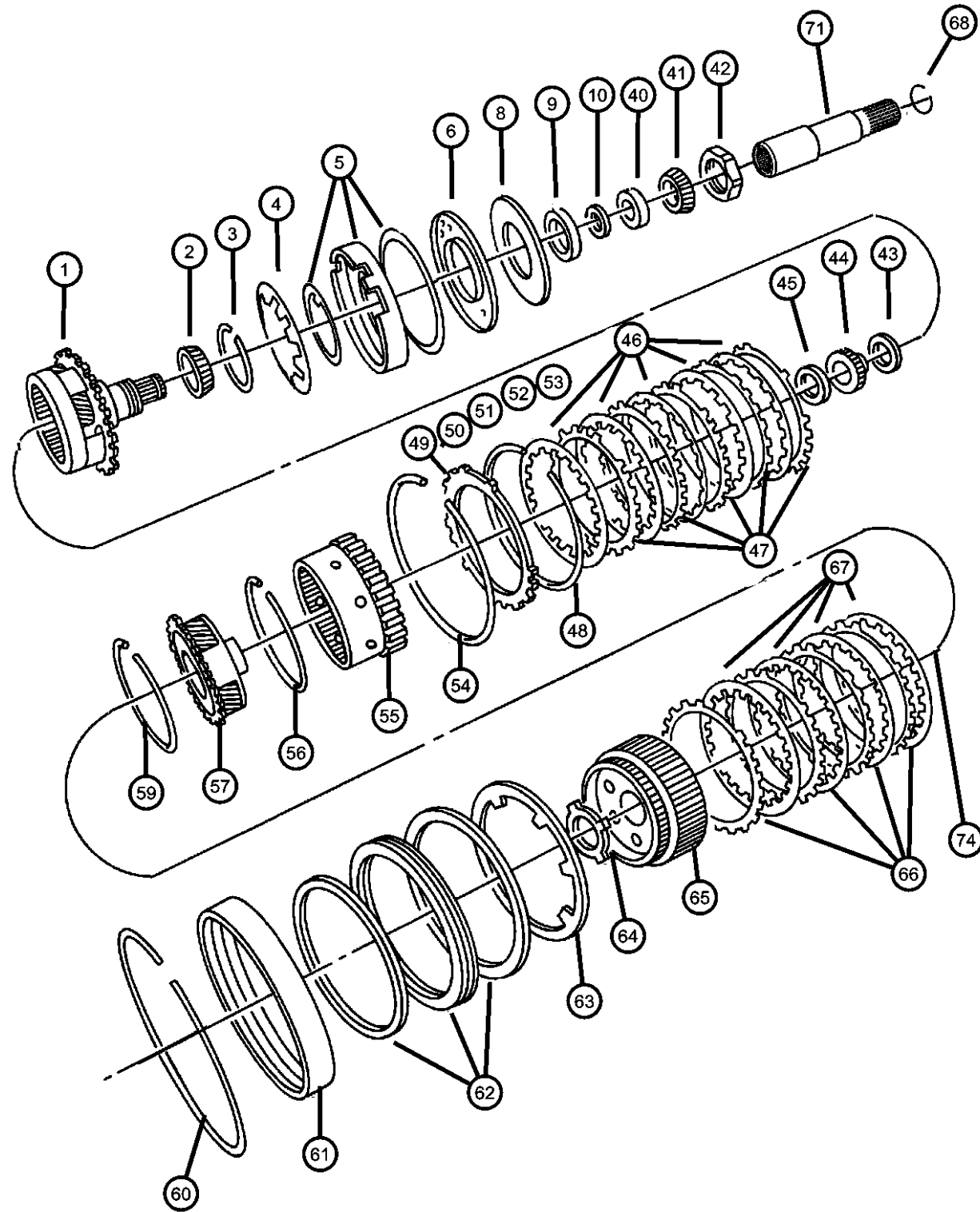
BODY  
74 = SPORT UTILITY 4-DR

ENGINE  
ED1 = Engine - 2.4L 4 Cyl DOHC 16v SMPI  
EKG = Engine - 3.7L V6  
ENR = Engine - 2.8L 4 Cyl Turbo Diesel  
ENO = 4CYL turbo diesel

TRANSMISSION  
DGQ = Transmission-5-Spd Automatic 5-45RFE  
DG6 = Transmission-4-Spd. Automatic, 42RLE  
DEH = Transmission-6-Speed Manual, NSG370  
DG0 = Transmissions - All Automatic  
DBB = ALL MANUAL TRANSMISSIONS

AR = use ase required - = Non illustrated part

**Gear Train**  
**Figure 42RLE-420**



ITEM	PART NUMBER	QTY	LINE	SERIES	BODY	ENGINE	TRANS	TRIM	DESCRIPTION
	04799860AB	4	J, U				DG6		
		4	T				DG6		
68	52852916AA	1	J, U				DG6		CLIP
-69									THRUST WASHER, Planet Pinion
	03681949	10	J, U				DG6		
		10	T				DG6		
-70									ROLLER, Front and Rear Pinion
	03743664	95	J, U				DG6		
		57	T				DG6		
71	52852915AA	1	J, U				DG6		SHAFT, Intermediate
-72	52852916AA	1	J, U				DG6		CLIP
-73	52854168AA	1	T				DG6		SHAFT, Output
74	02466224	1	T				DG6		BEARING, Output Shaft

**LIBERTY (KJ)**

SERIES      LINE  
P = LIMITED      J = JEEP - 4WD  
H = SPORT      U = JEEP - 4WD (RHD)  
M = RENEGADE      T = JEEP - 2WD

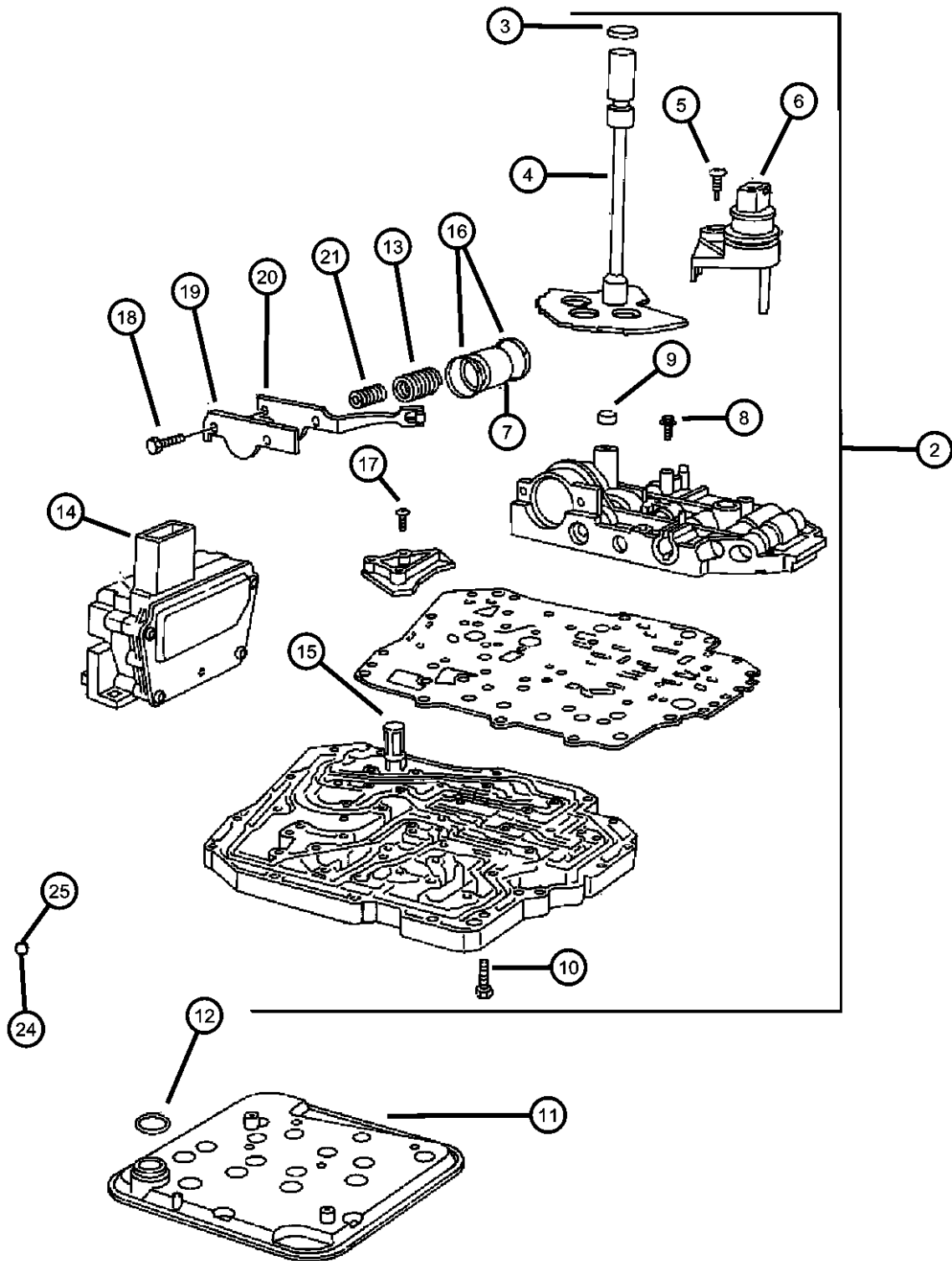
BODY  
74 = SPORT UTILITY 4-DR

ENGINE  
ED1 = Engine - 2.4L 4 Cyl  
DOHC 16v SMPI  
EKG = Engine - 3.7L V6  
ENR = Engine - 2.8L 4 Cyl  
Turbo Diesel  
ENO = 4CYL turbo diesel

TRANSMISSION  
DGQ = Transmission-5-Spd Automatic  
5-45RFE  
DG6 = Transmission-4-Spd.  
Automatic, 42RLE  
DEH = Transmission-6-Speed Manual,  
NSG370  
DG0 = Transmissions - All Automatic  
DBB = ALL MANUAL  
TRANSMISSIONS

AR = use ase required    - = Non illustrated part

**Valve Body  
Figure 42RLE-710**



**NOTE:**

Gasket and Seal Package includes all Valve Body Seals and Transmission Filter

Sales Codes:

[DG6]=4 Speed Automatic Transmission - [42RLE]

ITEM	PART NUMBER	QTY	LINE	SERIES	BODY	ENGINE	TRANS	TRIM	DESCRIPTION
-1									GASKET AND SEAL PACKAGE, Valve Body
	05101917AB	1	T				DG6		
		1	J, U				DG6		
2	52854169AA	1	J, U				DG6		VALVE BODY
		1	T				DG6		
3	04412836	1	J, U				DG6		SEAL, Manual Valve Lever
		1	T				DG6		
4	04800280AA	1	J, U				DG6		LEVER, Manual Valve
		1	T				DG6		
5	06506245AA	1	J, U				DG6		SCREW
		1	T				DG6		
6	04659677AC	1	J, U				DG6		SENSOR, Manual Valve Lever
		1	T				DG6		
7	04446620AC	1	J, U				DG6		PISTON, Accumulator
		1	T				DG6		
8	06500215	2	J, U				DG6		SCREW AND WASHER, Pan Head, M5x.8x25
		24	T				DG6		
9	04412291	1	J, U				DG6		SEAL, Clutch Feed
		1	T				DG6		
10									SCREW AND WASHER, Pan Head, M5x.8x25

**LIBERTY (KJ)**

SERIES      LINE  
P = LIMITED      J = JEEP - 4WD  
H = SPORT      U = JEEP - 4WD (RHD)  
M = RENEGADE      T = JEEP - 2WD

BODY  
74 = SPORT UTILITY 4-DR

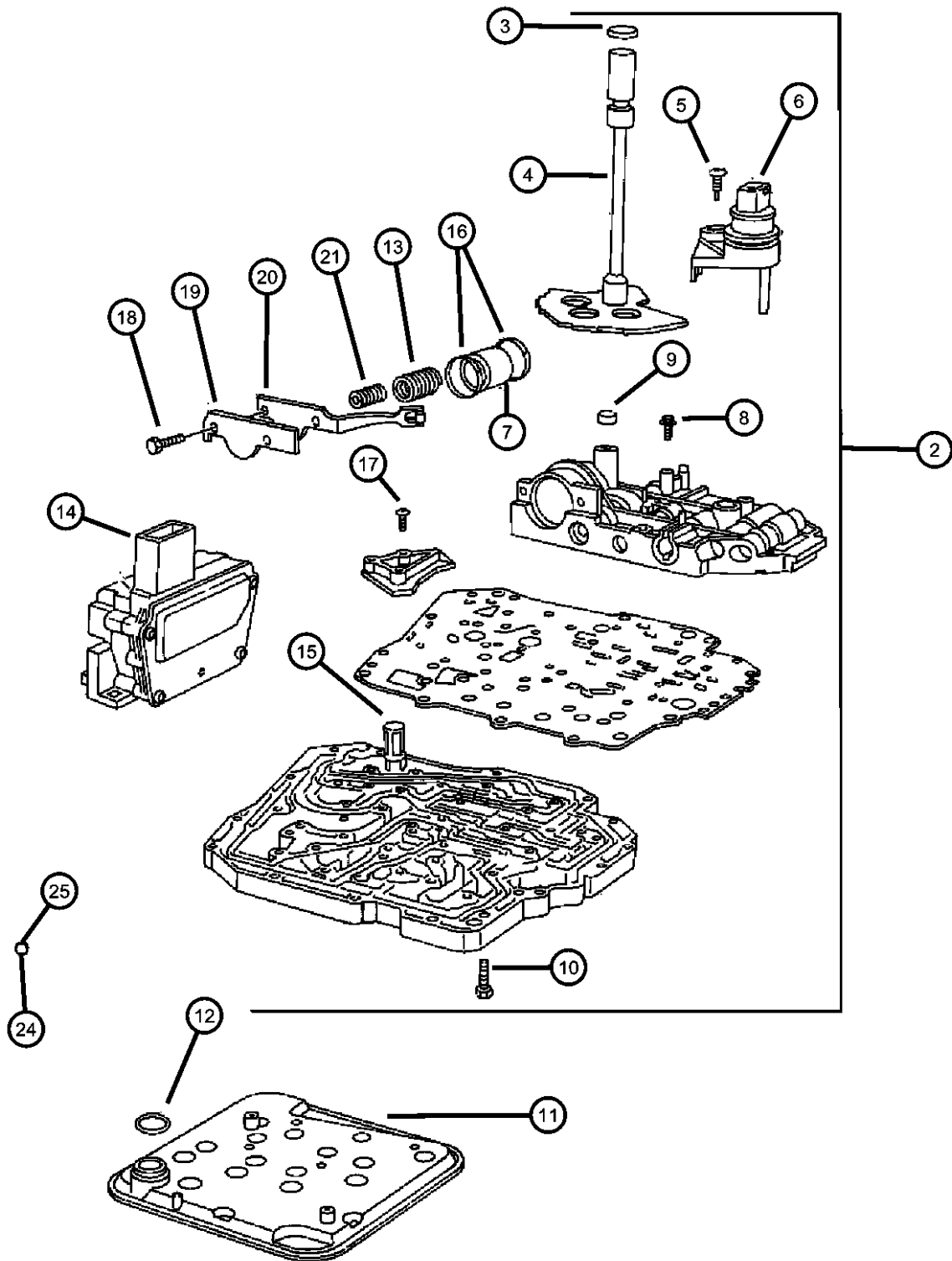
ENGINE  
ED1 = Engine - 2.4L 4 Cyl DOHC 16v SMPI  
EKG = Engine - 3.7L V6  
ENR = Engine - 2.8L 4 Cyl Turbo Diesel  
ENO = 4CYL turbo diesel

TRANSMISSION  
DGQ = Transmission-5-Spd Automatic 5-45RFE  
DG6 = Transmission-4-Spd. Automatic, 42RLE  
DEH = Transmission-6-Speed Manual, NSG370  
DG0 = Transmissions - All Automatic  
DBB = ALL MANUAL TRANSMISSIONS

AR = use ase required - = Non illustrated part

2005 KJ

Valve Body  
Figure 42RLE-710



ITEM	PART NUMBER	QTY	LINE	SERIES	BODY	ENGINE	TRANS	TRIM	DESCRIPTION
	06500215	2	J, U				DG6		
		24	T				DG6		
11	52852913AB	1	J, U				DG6		FILTER, Transmission Oil
		1	T				DG6		
12	06032780	1	J, U				DG6		O RING, Trans Oil Filter
		1	T				DG6		
13	04471880	1	J, U				DG6		SPRING, Accumulator
		1	T				DG6		
14	04800171AA	1	J, U				DG6		SOLENOID, Transmission
		1	T				DG6		
15	03878313	1	J, U				DG6		SCREEN, Transmission Regulator Valve
		1	T				DG6		
16		1							SEAL, Accumulator, Serviced with piston, Seal Is Bonded, (NOT SERVICED)
17									SCREW AND WASHER, Pan Head, M5x.8x25
	06500215	2	J, U				DG6		
		24	T				DG6		
18	06503232	2	J, U				DG6		SCREW, Pan Head, M5 x 0.8 x 12.60
		7	T				DG6		
19	04431711	1	J, U				DG6		RETAINER, Transmission 2nd and 4th Accumulator Piston
		1	T				DG6		
20	04431710	1	J, U				DG6		DETENT, Valve Body

LIBERTY (KJ)

SERIES LINE  
P = LIMITED J = JEEP - 4WD  
H = SPORT U = JEEP - 4WD (RHD)  
M = RENEGADE T = JEEP - 2WD

BODY  
74 = SPORT UTILITY 4-DR

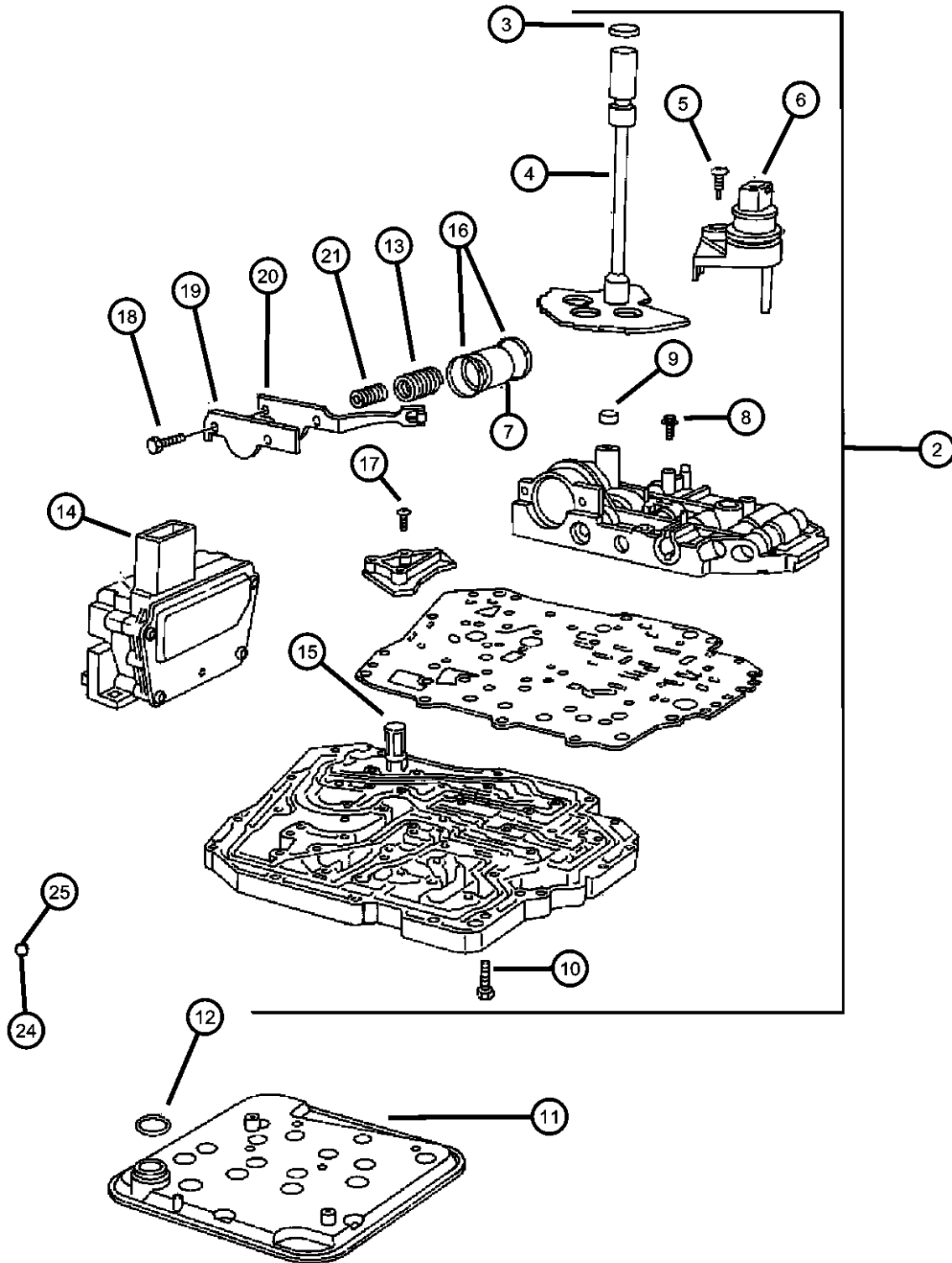
ENGINE  
ED1 = Engine - 2.4L 4 Cyl DOHC 16v SMPI  
EKG = Engine - 3.7L V6  
ENR = Engine - 2.8L 4 Cyl Turbo Diesel  
ENO = 4CYL turbo diesel

TRANSMISSION  
DGQ = Transmission-5-Spd Automatic 5-45RFE  
DG6 = Transmission-4-Spd. Automatic, 42RLE  
DEH = Transmission-6-Speed Manual, NSG370  
DG0 = Transmissions - All Automatic  
DBB = ALL MANUAL TRANSMISSIONS

AR = use ase required - = Non illustrated part

2005 KJ

Valve Body  
Figure 42RLE-710



ITEM	PART NUMBER	QTY	LINE	SERIES	BODY	ENGINE	TRANS	TRIM	DESCRIPTION
21		1	T				DG6		SPRING, Accumulator
	04471880	1	U, J				DG6		
-22		1	T				DG6		DOWEL, M6x16
	06100994	1	J, U				DG6		
-23		1	T				DG6		VALVE, Transmission Regulator
	04659081	1	J, U				DG6		
24		4	J, U				DG6		BALL, Check
	52118261	4	T				DG6		
25		1	J, U				DG6		BALL, Valve Body Check
	00104918	1	T				DG6		

LIBERTY (KJ)

SERIES LINE  
 P = LIMITED J = JEEP - 4WD  
 H = SPORT U = JEEP - 4WD (RHD)  
 M = RENEGADE T = JEEP - 2WD

BODY  
 74 = SPORT UTILITY 4-DR

ENGINE  
 ED1 = Engine - 2.4L 4 Cyl  
 DOHC 16v SMPI  
 EKG = Engine - 3.7L V6  
 ENR = Engine - 2.8L 4 Cyl  
 Turbo Diesel  
 ENO = 4CYL turbo diesel

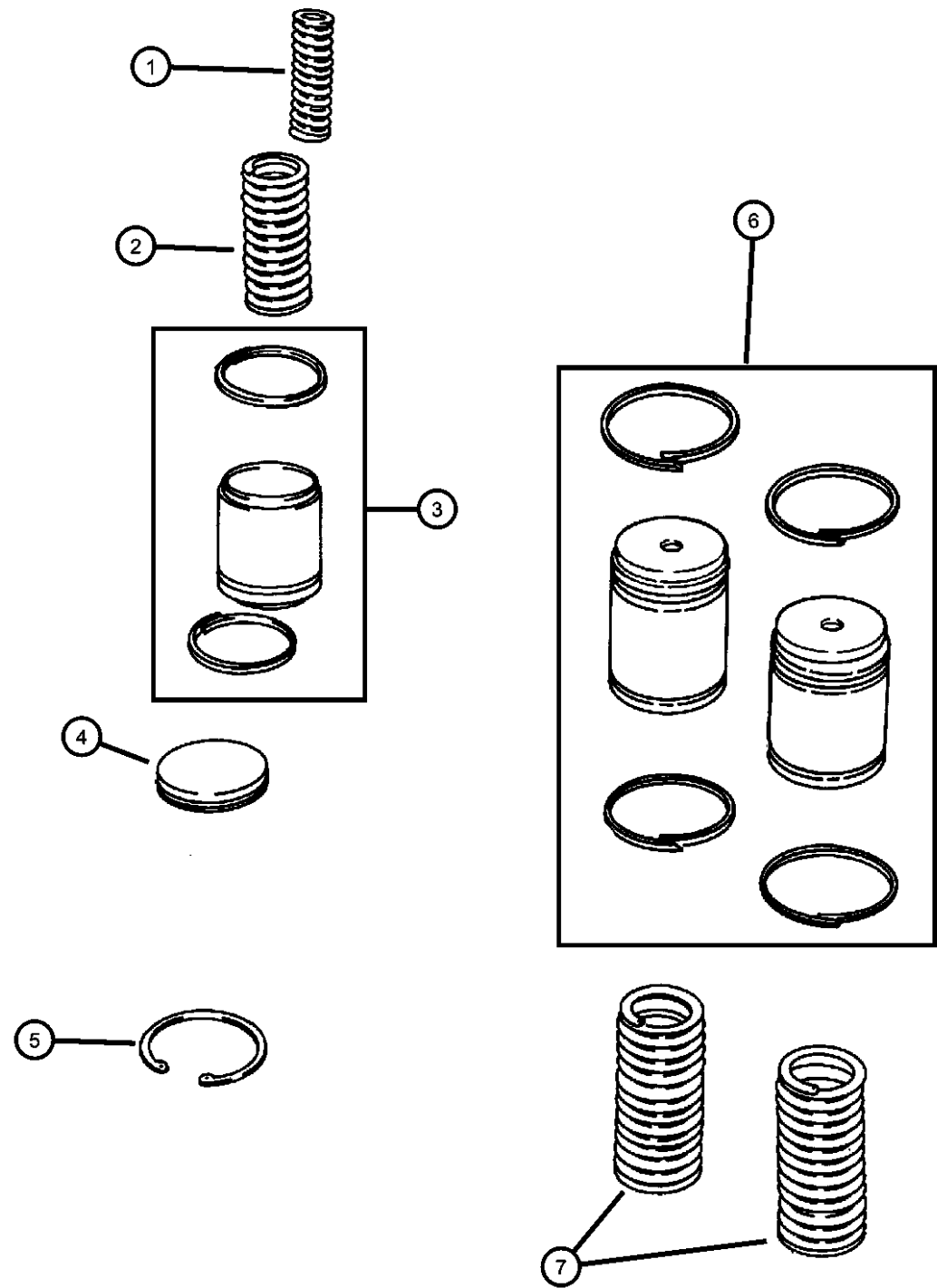
TRANSMISSION  
 DGQ = Transmission-5-Spd Automatic  
 5-45RFE  
 DG6 = Transmission-4-Spd.  
 Automatic, 42RLE  
 DEH = Transmission-6-Speed Manual,  
 NSG370  
 DG0 = Transmissions - All Automatic  
 DBB = ALL MANUAL  
 TRANSMISSIONS

AR = use ase required - = Non illustrated part

2005 KJ

**Accumulator Pistons & Springs**  
**Figure 42RLE-720**

ITEM	PART NUMBER	QTY	LINE	SERIES	BODY	ENGINE	TRANS	TRIM	DESCRIPTION
------	-------------	-----	------	--------	------	--------	-------	------	-------------



NOTE:

Sales Codes:

[DG6]=4 Speed Automatic Transmission - [42RLE]

1									SPRING, Accumulator
	04567575	1	J, U				DG6		
		1	T				DG6		
2									SPRING, Accumulator
	04471880	1	J, U				DG6		
		1	T				DG6		
3									PISTON, Accumulator
	04446620AC	1	J, U				DG6		
		1	T				DG6		
4									COVER, Accumulator
	04431617AB	1	J, U				DG6		
		1	T				DG6		
5									SNAP RING
	06501695	1	J, U				DG6		
		1	T				DG6		
6									PISTON, Accumulator
	04446620AC	1	J, U				DG6		
		1	T				DG6		
7									SPRING, Accumulator
	04800310AA	2	J, U				DG6		
		1	T				DG6		

**LIBERTY (KJ)**

SERIES      LINE  
P = LIMITED      J = JEEP - 4WD  
H = SPORT      U = JEEP - 4WD (RHD)  
M = RENEGADE      T = JEEP - 2WD

BODY  
74 = SPORT UTILITY 4-DR

ENGINE  
ED1 = Engine - 2.4L 4 Cyl  
DOHC 16v SMPI  
EKG = Engine - 3.7L V6  
ENR = Engine - 2.8L 4 Cyl  
Turbo Diesel  
ENO = 4CYL turbo diesel

TRANSMISSION  
DGQ = Transmission-5-Spd Automatic  
5-45RFE  
DG6 = Transmission-4-Spd.  
Automatic, 42RLE  
DEH = Transmission-6-Speed Manual,  
NSG370  
DG0 = Transmissions - All Automatic  
DBB = ALL MANUAL  
TRANSMISSIONS

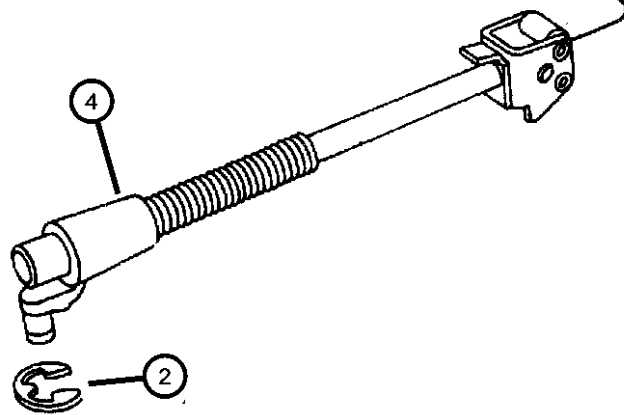
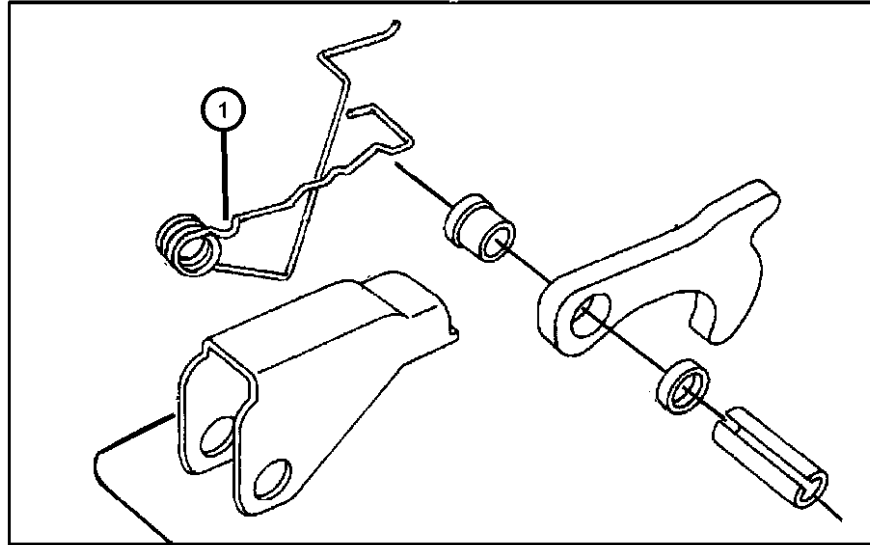
AR = use ase required - = Non illustrated part

2005 KJ



**Parking Sprag  
Figure 42RLE-730**

ITEM	PART NUMBER	QTY	LINE	SERIES	BODY	ENGINE	TRANS	TRIM	DESCRIPTION
NOTES: Sales Codes [DG6]= 4 Speed Automatic Transmission - [42RLE]									
1	52852949AA	1	J, U				DG6		SPRING, Parking Sprag Return
		1	T				DG6		
2	06035256	1	J, U				DG6		SNAP RING, Rod
		1	T				DG6		
-3	06503384	1	J, U				DG6		SCREW AND WASHER, Hex Head, M5x.8x12
		1	T				DG6		
4	04431999	1	J, U				DG6		SHAFT, Parking Sprag
		1	T				DG6		
-5	04800283AA	1	J, U				DG6		ROD, Parking Sprag
		1	T				DG6		
-6	52852948AA	1	J, U				DG6		BRACKET, Parking Sprag
		1	T				DG6		



**LIBERTY (KJ)**

SERIES LINE  
P = LIMITED J = JEEP - 4WD  
H = SPORT U = JEEP - 4WD (RHD)  
M = RENEGADE T = JEEP - 2WD

BODY  
74 = SPORT UTILITY 4-DR

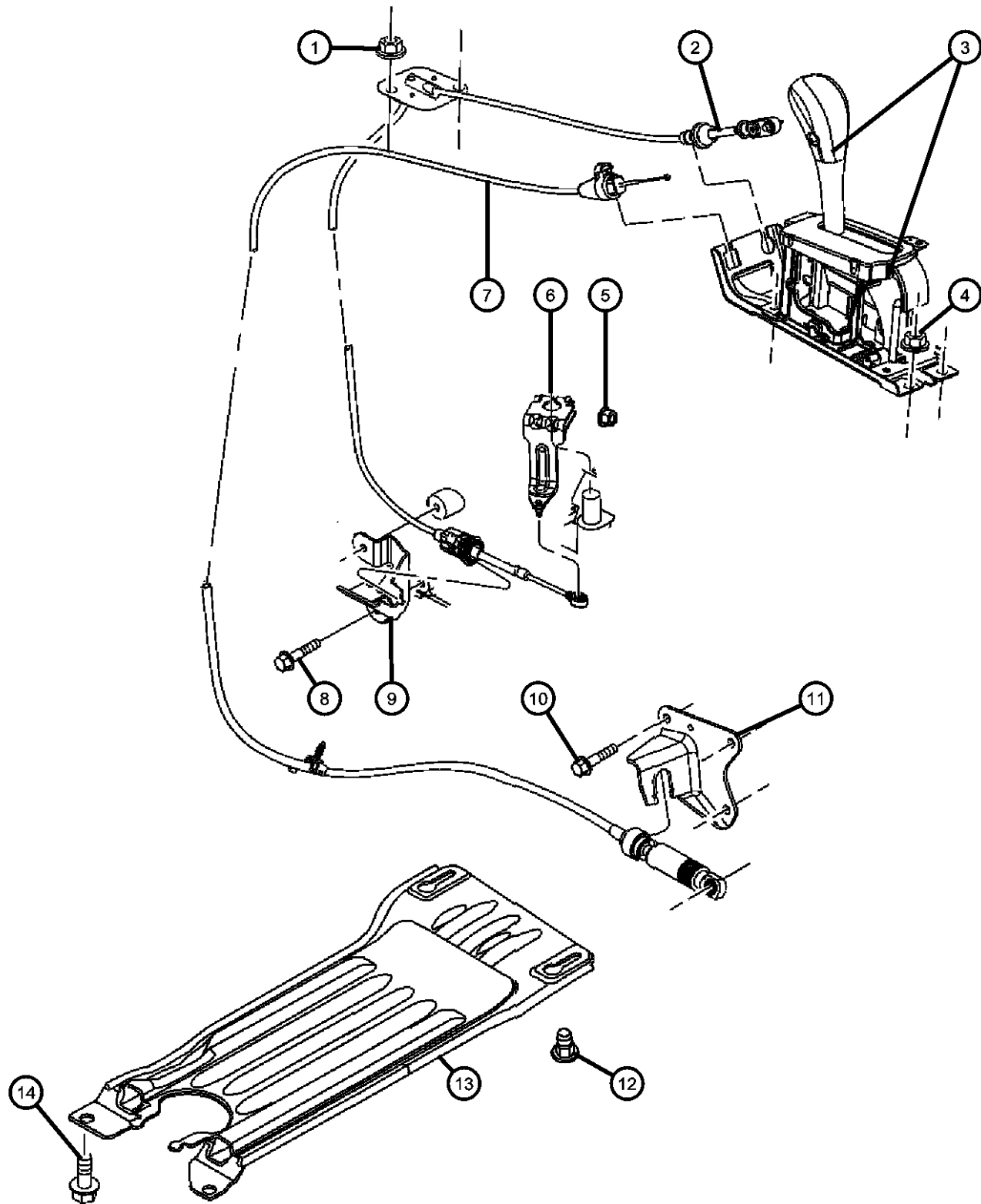
ENGINE  
ED1 = Engine - 2.4L 4 Cyl DOHC 16v SMPI  
EKG = Engine - 3.7L V6  
ENR = Engine - 2.8L 4 Cyl Turbo Diesel  
ENO = 4CYL turbo diesel

TRANSMISSION  
DGQ = Transmission-5-Spd Automatic 5-45RFE  
DG6 = Transmission-4-Spd. Automatic, 42RLE  
DEH = Transmission-6-Speed Manual, NSG370  
DG0 = Transmissions - All Automatic  
DBB = ALL MANUAL TRANSMISSIONS

AR = use ase required - = Non illustrated part

2005 KJ

**Gearshift Control And Transmission Skid Plate  
Figure 42RLE-1210**



ITEM	PART NUMBER	QTY	LINE	SERIES	BODY	ENGINE	TRANS	TRIM	DESCRIPTION
------	-------------	-----	------	--------	------	--------	-------	------	-------------

NOTES:  
Sales Codes  
[DG0] = All Automatic Transmissions

1	06100047	2							NUT AND WASHER, Hex Nut-Coned Washer, M6 x 1.00
2	52109748AB	1					DG6		CABLE, Gearshift Control
3									HOUSING AND LEVER, Shifter
	52109982AC	1	J, T				DG0		
	52109983AA	1	U				DG0		
4	34201358	4					DG0		NUT AND WASHER, Hex Nut-Sealing Washer, M6 x 1.00
5	06506676AA	1				EK0	DG6		NUT & WASHER, M8x1.25
6	52109749AB	1				EK0	DG6		LEVER, Manual Control
7	52104319AC	1					DG0		CABLE, Gearshift Lock
8	06101767	2					DG6		SCREW AND WASHER, M8x1.25x25
9	52128867AA	1					DG6		BRACKET, Shift Cable
10	06101752	3	J, U				DG0		SCREW AND WASHER, Hex Head, M10x1.5x28
11	52128954AA	1	J, U				DG6		BRACKET, Shifter
12	06506644AA	2							RIVET
13	52128925AC	1							SKID PLATE, Transmission
14	06506027AA	2							SCREW, Hex Head

**LIBERTY (KJ)**

SERIES      LINE  
P = LIMITED      J = JEEP - 4WD  
H = SPORT      U = JEEP - 4WD (RHD)  
M = RENEGADE      T = JEEP - 2WD

BODY  
74 = SPORT UTILITY 4-DR

ENGINE  
ED1 = Engine - 2.4L 4 Cyl  
DOHC 16v SMPI  
EKG = Engine - 3.7L V6  
ENR = Engine - 2.8L 4 Cyl  
Turbo Diesel  
ENO = 4CYL turbo diesel

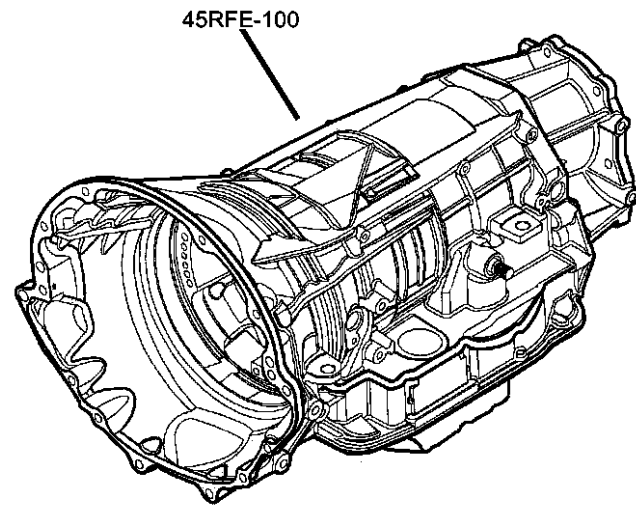
TRANSMISSION  
DGQ = Transmission-5-Spd Automatic  
5-45RFE  
DG6 = Transmission-4-Spd.  
Automatic, 42RLE  
DEH = Transmission-6-Speed Manual,  
NSG370  
DG0 = Transmissions - All Automatic  
DBB = ALL MANUAL  
TRANSMISSIONS

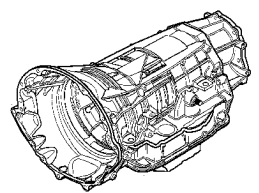
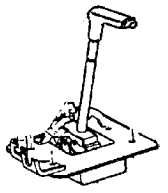
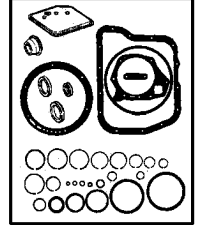
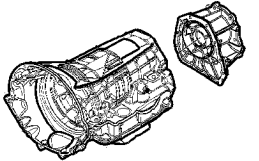
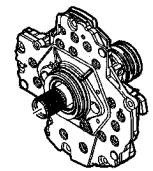
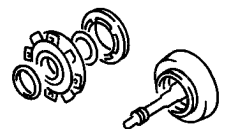
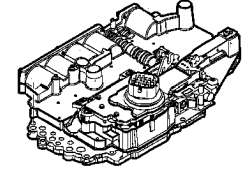
AR = use ase required - = Non illustrated part

2005 KJ

# Group - 5-45RFE

## Automatic Transmission Multi-Speed



<p><b>5-45RFE-100</b> Transmission Assembly</p> 	<p><b>5-45RFE-1200</b> Gearshift Controls</p> 	<p><b>5-45RFE-1300</b> Seal and Shim Packages</p> 	<p><b>5-45RFE-200</b> Case and Extension</p> 
<p><b>5-45RFE-300</b> Oil Pump</p> 	<p><b>5-45RFE-400</b> Gear Train</p> 	<p><b>5-45RFE-700</b> Valve Body</p> 	

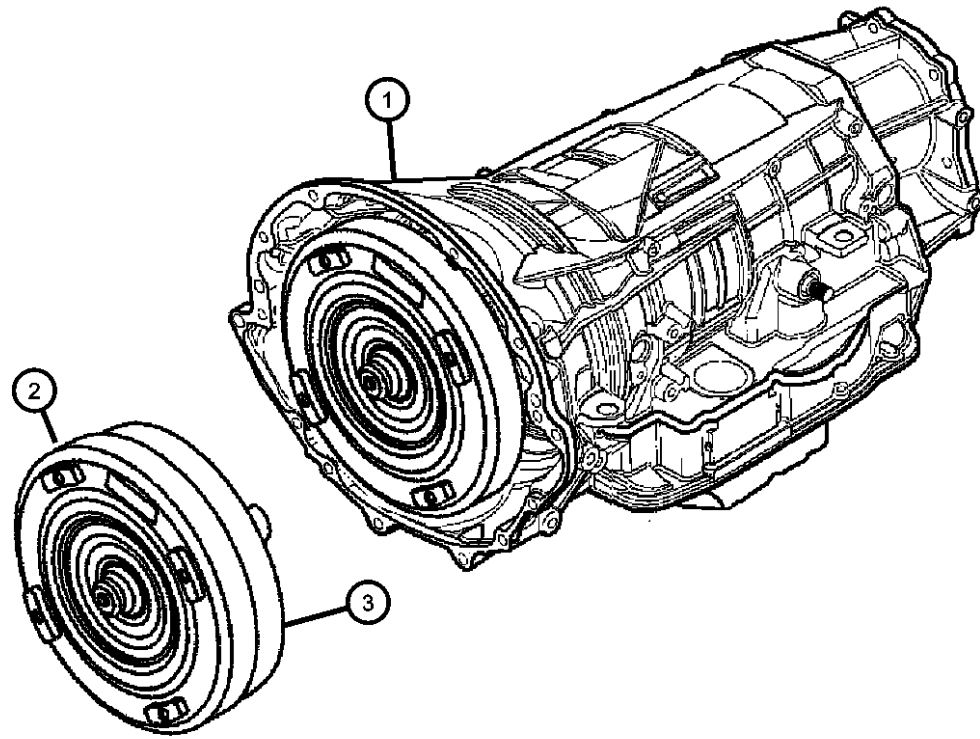
---

## Group - 5-45RFE Automatic Transmission Multi-Speed

Illustration Title	Group-Fig. No.
<b>Transmission Assembly</b>	
Transmission Assembly [DGQ] .....	Fig. 5-45RFE - 110
<b>Case and Extension</b>	
Adapter.....	Fig. 5-45RFE - 210
Case & Related Parts .....	Fig. 5-45RFE - 230
<b>Oil Pump</b>	
Oil Pump .....	Fig. 5-45RFE - 310
<b>Gear Train</b>	
Input Shaft .....	Fig. 5-45RFE - 410
Underdrive .....	Fig. 5-45RFE - 420
Overdrive .....	Fig. 5-45RFE - 430
2 / 4 Clutch Retainer .....	Fig. 5-45RFE - 440
Input / Reverse Planetary.....	Fig. 5-45RFE - 450
Reaction Annulus / Sun Gear .....	Fig. 5-45RFE - 460
Low / Reverse Clutch .....	Fig. 5-45RFE - 470
<b>Valve Body</b>	
Valve Body.....	Fig. 5-45RFE - 710
Parking Sprag .....	Fig. 5-45RFE - 730
<b>Gearshift Controls</b>	
Gearshift Controls.....	Fig. 5-45RFE - 1210
<b>Seal and Shim Packages</b>	
L / R Clutch .....	Fig. 5-45RFE - 1310
Input Clutch Plate .....	Fig. 5-45RFE - 1320
O / H.....	Fig. 5-45RFE - 1330
Input Clutch.....	Fig. 5-45RFE - 1340
Planetary Plate .....	Fig. 5-45RFE - 1350
2 & 4 Clutch.....	Fig. 5-45RFE - 1360

**Transmission Assembly [DGQ]  
Figure 5-45RFE-110**

ITEM	PART NUMBER	QTY	LINE	SERIES	BODY	ENGINE	TRANS	TRIM	DESCRIPTION
NOTE: Sales Codes: [DGQ]=5 Speed Automatic Transmission - [5-45RFE] [EV0] = All 4.7L 8 Cylinder Engines [EZ0] = All 5.7L 8 Cylinder Engines									
1	05143976AA	1	J, U			EN0	DGQ		TRANSMISSION KIT, Automatic, [Includes Torque Converter]
	05013457AA								Mopar Automatic Transmission Fluid Quart
	05013458AA								Mopar Automatic Transmission Fluid Gallon
2	05175969AA	1	J, U			EN0	DGQ		CONVERTER PACKAGE, Torque
3	01949765	4					DGQ		SCREW, Hex Head Header Point, .312-24x.44



**LIBERTY (KJ)**

SERIES      LINE  
P = LIMITED      J = JEEP - 4WD  
H = SPORT      U = JEEP - 4WD (RHD)  
M = RENEGADE      T = JEEP - 2WD

BODY  
74 = SPORT UTILITY 4-DR

ENGINE  
ED1 = Engine - 2.4L 4 Cyl  
DOHC 16v SMPI  
EKG = Engine - 3.7L V6  
ENR = Engine - 2.8L 4 Cyl  
Turbo Diesel  
ENO = 4CYL turbo diesel

TRANSMISSION  
DGQ = Transmission-5-Spd Automatic  
5-45RFE  
DG6 = Transmission-4-Spd.  
Automatic, 42RLE  
DEH = Transmission-6-Speed Manual,  
NSG370  
DG0 = Transmissions - All Automatic  
DBB = ALL MANUAL  
TRANSMISSIONS

AR = use ase required - = Non illustrated part

2005 KJ

**Adapter  
Figure 5-45RFE-210**

ITEM	PART NUMBER	QTY	LINE	SERIES	BODY	ENGINE	TRANS	TRIM	DESCRIPTION
------	-------------	-----	------	--------	------	--------	-------	------	-------------

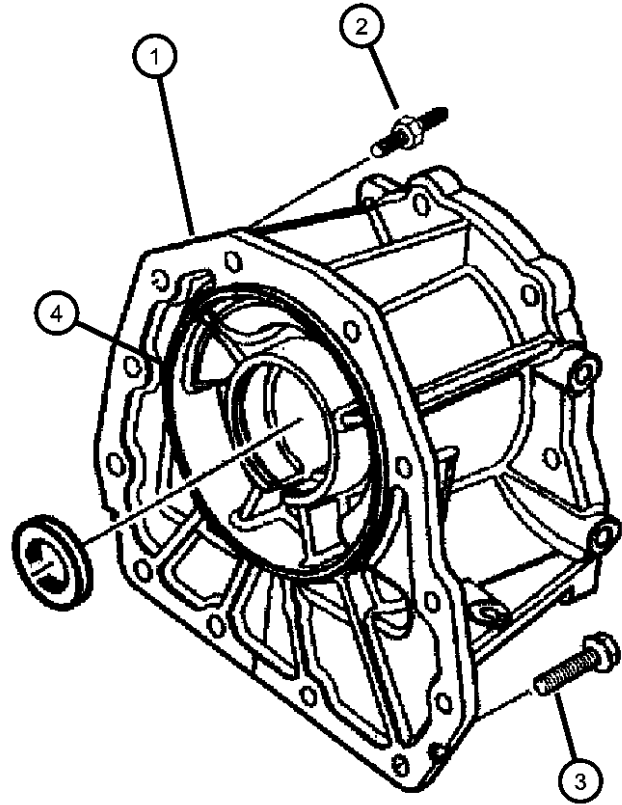
NOTE:

Sales Codes:

[DGQ]=5 Speed Automatic Transmission - [5-45RFE]

[EN0]=All 4/5 Cyl. Turbo Diesel Engines

1	52104357AC	1	J, U			EN0	DGQ		ADAPTER, Transfer Case
2	06505064AA	2	J, U			EN0	DGQ		STUD, M10x1.5x62
3	06504774	10	J, U			EN0	DGQ		SCREW AND WASHER, Hex Head, M10x1.5x37
4	04799090	1	J, U			EN0	DGQ		SEAL, Input
5	52119498AA	1	J, U			EN0	DGQ		SEAL, Adapter



**LIBERTY (KJ)**

SERIES	LINE
P = LIMITED	J = JEEP - 4WD
H = SPORT	U = JEEP - 4WD (RHD)
M = RENEGADE	T = JEEP - 2WD

BODY  
74 = SPORT UTILITY 4-DR

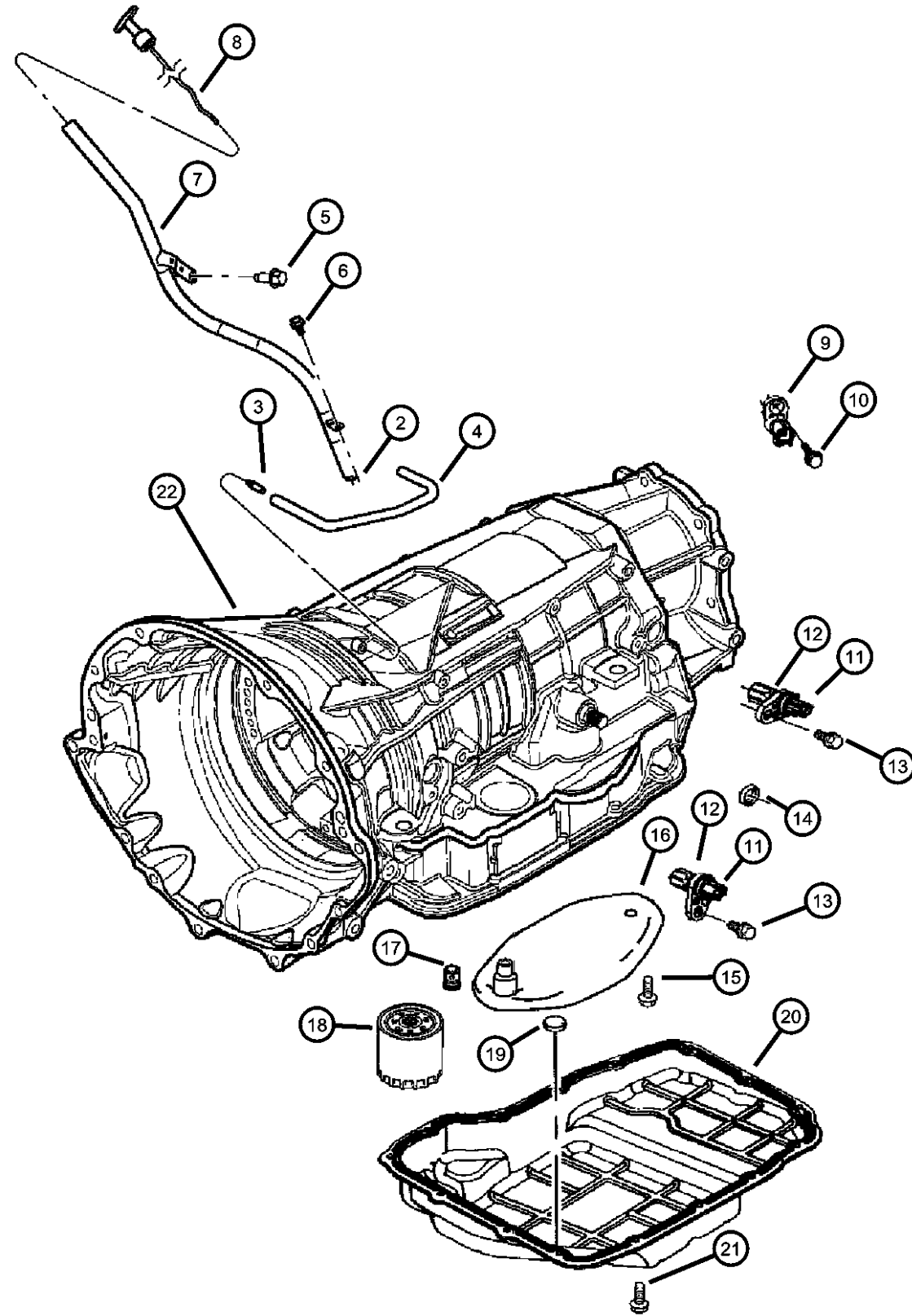
ENGINE  
ED1 = Engine - 2.4L 4 Cyl DOHC 16v SMPI  
EKG = Engine - 3.7L V6  
ENR = Engine - 2.8L 4 Cyl Turbo Diesel  
ENO = 4CYL turbo diesel

TRANSMISSION  
DGQ = Transmission-5-Spd Automatic 5-45RFE  
DG6 = Transmission-4-Spd. Automatic, 42RLE  
DEH = Transmission-6-Speed Manual, NSG370  
DG0 = Transmissions - All Automatic  
DBB = ALL MANUAL TRANSMISSIONS

AR = use ase required - = Non illustrated part

2005 KJ

Case & Related Parts  
Figure 5-45RFE-230



ITEM	PART NUMBER	QTY	LINE	SERIES	BODY	ENGINE	TRANS	TRIM	DESCRIPTION
-1	05014221AJ	1	J, U			EN0	DGQ		OVERHAUL PACKAGE, Transmission
2	04810021	1	J, U			EN0	DGQ		GROMMET
3	04799861AB	1	J, U			EN0	DGQ		VENT, Transmission
4	53013593AA	1					DG6		TUBE, Vent
5	06022266	6				EN0	DGQ		SCREW, Hex Head, .375-16x1.5
6	06501979	1				EN0			SCREW AND WASHER, Hex Head, M6x1x17
7	53013497AC	1				EN0	DG0		TUBE, Transmission Oil Filler
8	53013719AA	1					DGQ		INDICATOR, Transmission Fluid Level
9	04799758	1	J, U			EN0	DGQ		TRANSDUCER, Pressure Sensor, Line Pressure
10	06101221	15	J, U			EN0	DGQ		SCREW, Line Pressure Sensor
11	04799061AB	2	J, U			EN0	DGQ		SENSOR, Transmission Input Speed
12	04799062	2	J, U			EN0	DGQ		O RING
13	06101331	2	J, U			EN0	DGQ		BOLT, M6x1.00x20
14	04799346	1	J, U			EN0	DGQ		SEAL, Manual Lever Shaft
15	06503232	2	J, U			EN0	DGQ		SCREW, Pan Head, M5 x 0.8 x 12.60, Oil Filter To Transfer Plate
16	05013470AC	1	J, U			EN0	DGQ		FILTER PACKAGE, Transmission Oil
17	04799681	1	J, U			EN0	DGQ		VALVE, Flow Control
18	04799662	1	J, U			EN0	DGQ		FILTER, Transmission Oil
19	04446728	1	J, U			EN0	DGQ		MAGNET, Transmission
20	05013681AA	1	J, U			EN0	DGQ		PAN, Transmission Oil
21	06101221	15	J, U			EN0	DGQ		SCREW
22	04799613AB	1	J, U			EN0	DGQ		CASE, Transmission

LIBERTY (KJ)

SERIES LINE  
P = LIMITED J = JEEP - 4WD  
H = SPORT U = JEEP - 4WD (RHD)  
M = RENEGADE T = JEEP - 2WD

BODY  
74 = SPORT UTILITY 4-DR

ENGINE  
ED1 = Engine - 2.4L 4 Cyl DOHC 16v SMPI  
EKG = Engine - 3.7L V6  
ENR = Engine - 2.8L 4 Cyl Turbo Diesel  
ENO = 4CYL turbo diesel

TRANSMISSION  
DGQ = Transmission-5-Spd Automatic 5-45RFE  
DG6 = Transmission-4-Spd. Automatic, 42RLE  
DEH = Transmission-6-Speed Manual, NSG370  
DG0 = Transmissions - All Automatic  
DBB = ALL MANUAL TRANSMISSIONS

AR = use ase required - = Non illustrated part

2005 KJ

**Oil Pump  
Figure 5-45RFE-310**

ITEM	PART NUMBER	QTY	LINE	SERIES	BODY	ENGINE	TRANS	TRIM	DESCRIPTION
------	-------------	-----	------	--------	------	--------	-------	------	-------------

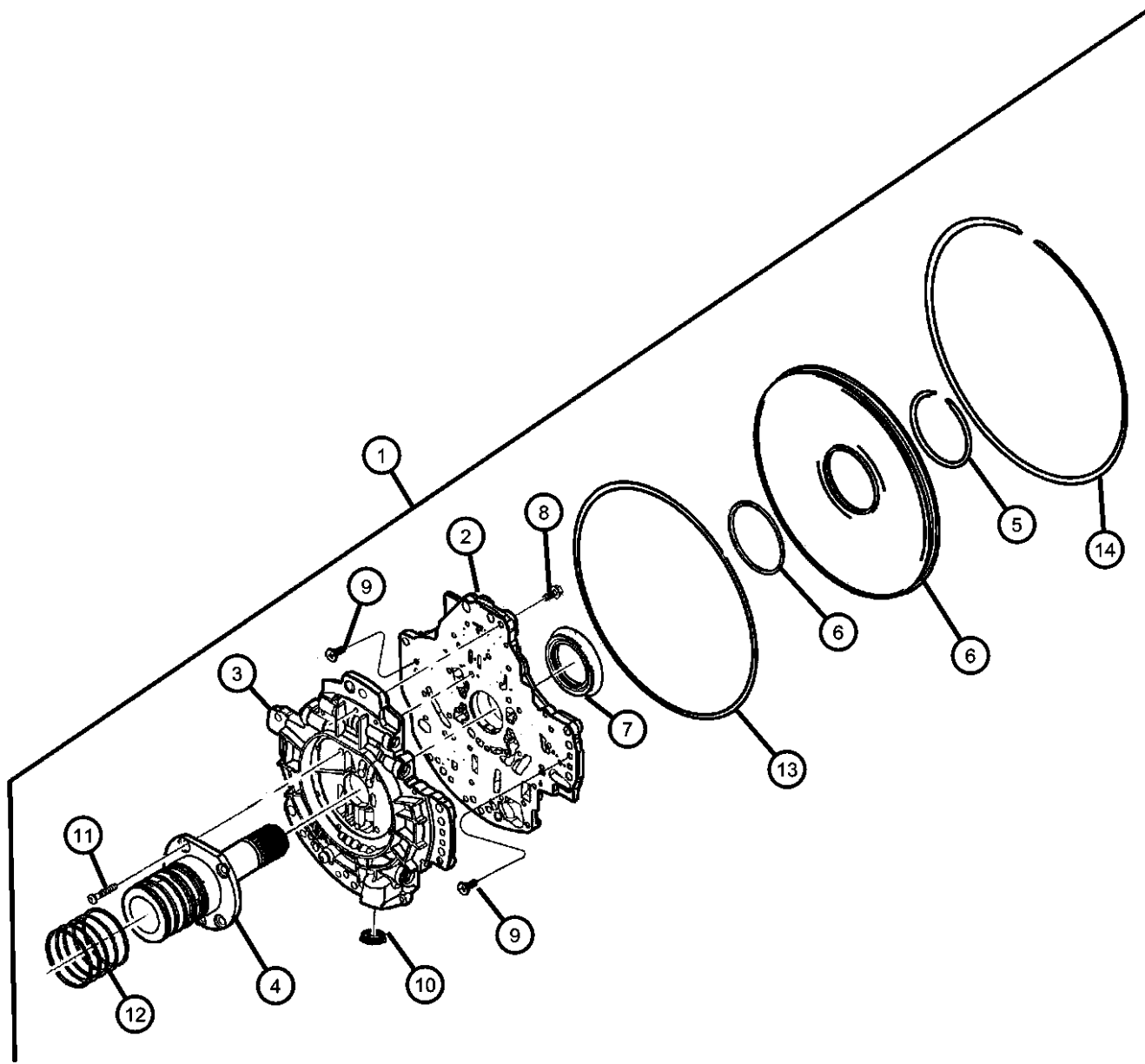
NOTE:

Sales Codes:

[DGQ]=5 Speed Automatic Transmission - [5-45RFE]

[EN0]=All 4 Cylinder Turbo Diesel Engines

1	05073004AD	1	J, U			EN0	DGQ		PUMP PACKAGE, Transmission
2	05073004AD	1							HOUSING, Pump, (NOT SERVICED)
3	05073004AD	1							BODY, Oil Pump Valve, (NOT SERVICED)
4	05073004AD	1							SUPPORT, Reaction Shaft, (NOT SERVICED)
5	04799082	1	J, U			EN0	DGQ		SNAP RING, Transmission
6	04799609	1	J, U			EN0	DGQ		COVER, Oil Pump
7	04617919	1	J, U			EN0	DGQ		SEAL, Transmission Oil Pump
8	06500215	24	J, U			EN0	DGQ		SCREW AND WASHER, Pan Head, M5x.8x25
9	06503232	2	J, U			EN0	DGQ		SCREW, Pan Head, M5 x 0.8 x 12.60
10	04799964AB	1	J, U			EN0	DGQ		SEAL, Oil Pump
11	06504661	5	J, U			EN0	DGQ		SCREW, Button Head
12	04799056	5	J, U			EN0	DGQ		RING, Transmission
13	04799003	1	J, U			EN0	DGQ		O RING, Oil Pump, .
14	04799005	1	J, U			EN0	DGQ		SNAP RING, Transmission
-15	04736547	1	J, U			EN0	DGQ		SEAL, Torque Converter Hub



**LIBERTY (KJ)**

SERIES      LINE  
P = LIMITED      J = JEEP - 4WD  
H = SPORT      U = JEEP - 4WD (RHD)  
M = RENEGADE      T = JEEP - 2WD

BODY  
74 = SPORT UTILITY 4-DR

ENGINE  
ED1 = Engine - 2.4L 4 Cyl DOHC 16v SMPI  
EKG = Engine - 3.7L V6  
ENR = Engine - 2.8L 4 Cyl Turbo Diesel  
ENO = 4CYL turbo diesel

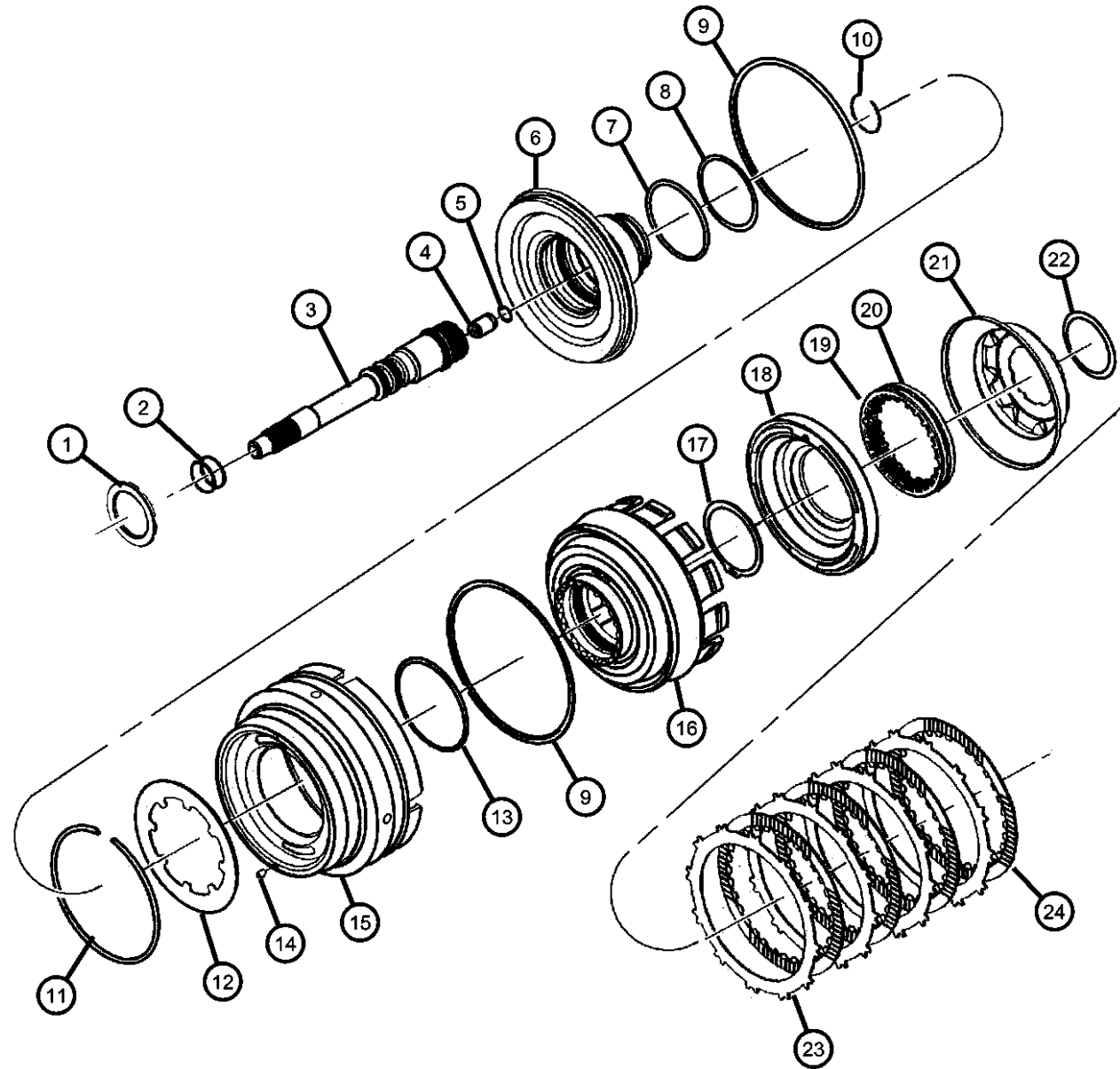
TRANSMISSION  
DGQ = Transmission-5-Spd Automatic 5-45RFE  
DG6 = Transmission-4-Spd. Automatic, 42RLE  
DEH = Transmission-6-Speed Manual, NSG370  
DG0 = Transmissions - All Automatic  
DBB = ALL MANUAL TRANSMISSIONS

AR = use ase required    - = Non illustrated part

2005 KJ



**Input Shaft  
Figure 5-45RFE-410**



ITEM	PART NUMBER	QTY	LINE	SERIES	BODY	ENGINE	TRANS	TRIM	DESCRIPTION
NOTE: Sales Codes: [DGQ]=5 Speed Automatic Transmission - [5-45RFE] [EN0]=All 4/5 Cylinder Turbo Diesel Engines									
1	04799469	1	J, U			EN0	DGQ		THRUST BEARING, Needle Roller
2	04799539	2	J, U			EN0	DGQ		SEAL, Input Shaft, PKG 05013090AA
3	05114582AA	AR	J, U			EN0	DGQ		SHAFT, Input
4	04799974AA	1	J, U			EN0	DGQ		CHECK VALVE, Transmission
5	04799978AA	1	J, U			EN0	DGQ		SNAP RING
6	04799536AC	1	J, U			EN0	DGQ		HUB, Input Clutch
7	04799073	1	J, U			EN0	DGQ		O RING, Transmission Clutch, PKG 05013090AA
8									O RING, Transmission Clutch, PKG 05013090AA
	04799073	1	J, U			EN0	DGQ		Input Clutch Large
	04799755	1	J, U			EN0	DGQ		Input Clutch Small
9	04799090	1	J, U			EN0	DGQ		SEAL, Input, PKG 05013090AA
10	04799538	1	J, U			EN0	DGQ		SNAP RING, Input Shaft
11	04799088	1	J, U			EN0	DGQ		SNAP RING, Transmission
12	04799087	1	J, U			EN0	DGQ		SPRING, Piston Return
13	04799089	1	J, U			EN0	DGQ		O RING, Reverse & O/Drive Clutch Piston, Transmission, PKG 05013090AA
14	04531903	1	J, U				DG6		FILTER, Reverse And O/D Clutch
15	05073525AA	AR	J, U			EN0	DGQ		PISTON, Reverse and Overdrive
16	04799648	1	J, U			EN0	DGQ		RETAINER, Transmission Input Clutch
17	04799247	1	J, U			EN0	DGQ		SNAP RING
18	04799650	1	J, U			EN0	DGQ		PISTON, Underdrive
19	04746155	1	J, U						BEARING, Input Gear
20	04799101	1	J, U			EN0	DGQ		SPRING, Undredrive Piston, PKG 05013090AA
21	04799652	1	J, U			EN0	DGQ		PISTON, Underdrive
22	04799103	1	J, U			EN0	DGQ		SNAP RING, Transmission, PKG 05013090AA
23	04799103	1							PLATE, PKG 05013090AA, (NOT SERVICED)

**LIBERTY (KJ)**

SERIES      LINE  
P = LIMITED      J = JEEP - 4WD  
H = SPORT      U = JEEP - 4WD (RHD)  
M = RENEGADE      T = JEEP - 2WD

BODY  
74 = SPORT UTILITY 4-DR

ENGINE  
ED1 = Engine - 2.4L 4 Cyl DOHC 16v SMPI  
EKG = Engine - 3.7L V6  
ENR = Engine - 2.8L 4 Cyl Turbo Diesel  
ENO = 4CYL turbo diesel

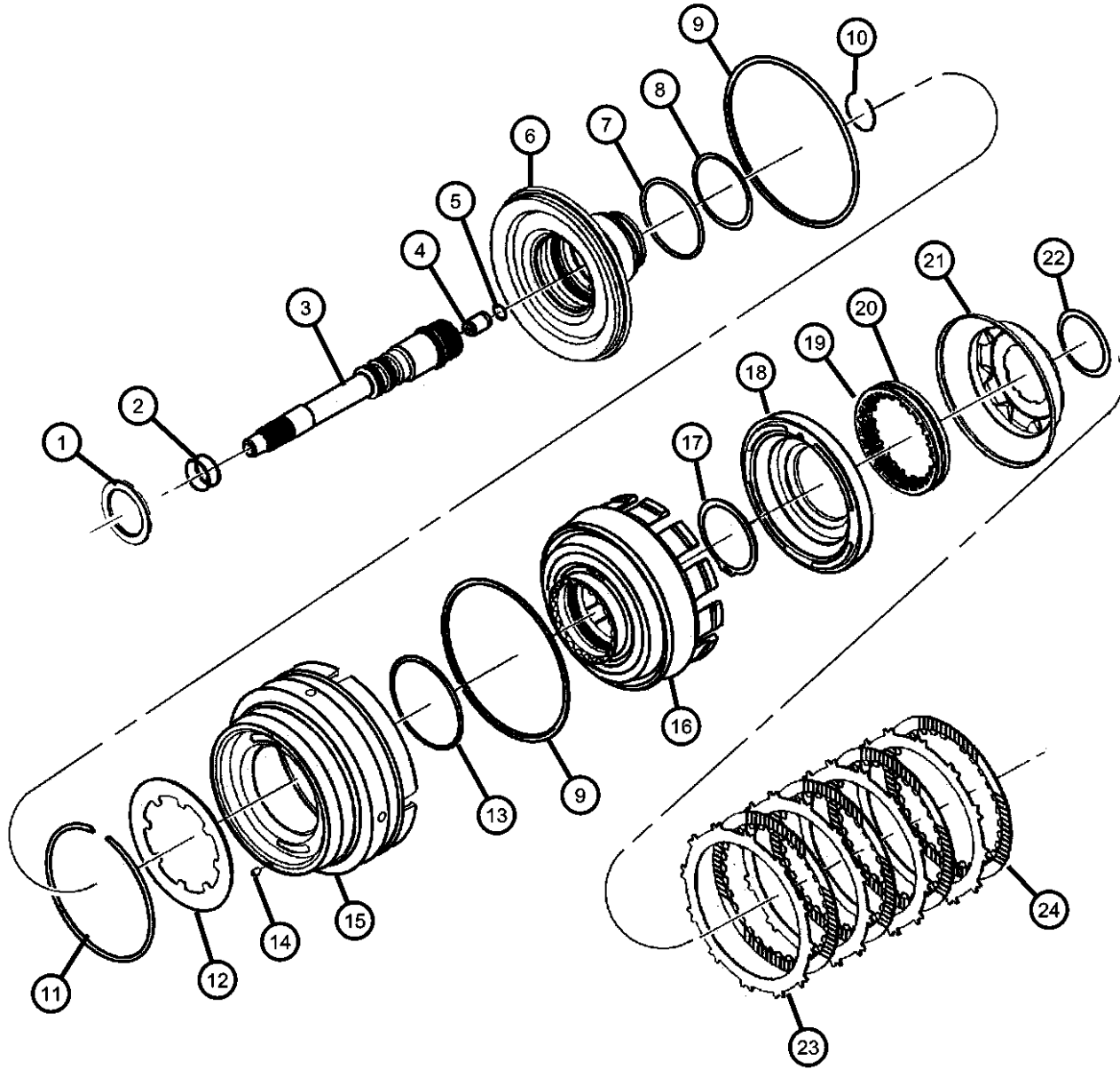
TRANSMISSION  
DGQ = Transmission-5-Spd Automatic 5-45RFE  
DG6 = Transmission-4-Spd. Automatic, 42RLE  
DEH = Transmission-6-Speed Manual, NSG370  
DG0 = Transmissions - All Automatic  
DBB = ALL MANUAL TRANSMISSIONS

AR = use ase required - = Non illustrated part

2005 KJ

**Input Shaft  
Figure 5-45RFE-410**

ITEM	PART NUMBER	QTY	LINE	SERIES	BODY	ENGINE	TRANS	TRIM	DESCRIPTION
24	04799103	1							DISC, Clutch, PKG 05013090AA, (NOT SERVICED)
-25	04799097	1	J, U			EN0	DGQ		SNAP RING



**LIBERTY (KJ)**

SERIES      LINE  
P = LIMITED      J = JEEP - 4WD  
H = SPORT      U = JEEP - 4WD (RHD)  
M = RENEGADE      T = JEEP - 2WD

BODY  
74 = SPORT UTILITY 4-DR

ENGINE  
ED1 = Engine - 2.4L 4 Cyl DOHC 16v SMPI  
EKG = Engine - 3.7L V6  
ENR = Engine - 2.8L 4 Cyl Turbo Diesel  
ENO = 4CYL turbo diesel

TRANSMISSION  
DGQ = Transmission-5-Spd Automatic 5-45RFE  
DG6 = Transmission-4-Spd. Automatic, 42RLE  
DEH = Transmission-6-Speed Manual, NSG370  
DG0 = Transmissions - All Automatic  
DBB = ALL MANUAL TRANSMISSIONS

AR = use ase required - = Non illustrated part

**Underdrive  
Figure 5-45RFE-420**

ITEM	PART NUMBER	QTY	LINE	SERIES	BODY	ENGINE	TRANS	TRIM	DESCRIPTION
------	-------------	-----	------	--------	------	--------	-------	------	-------------

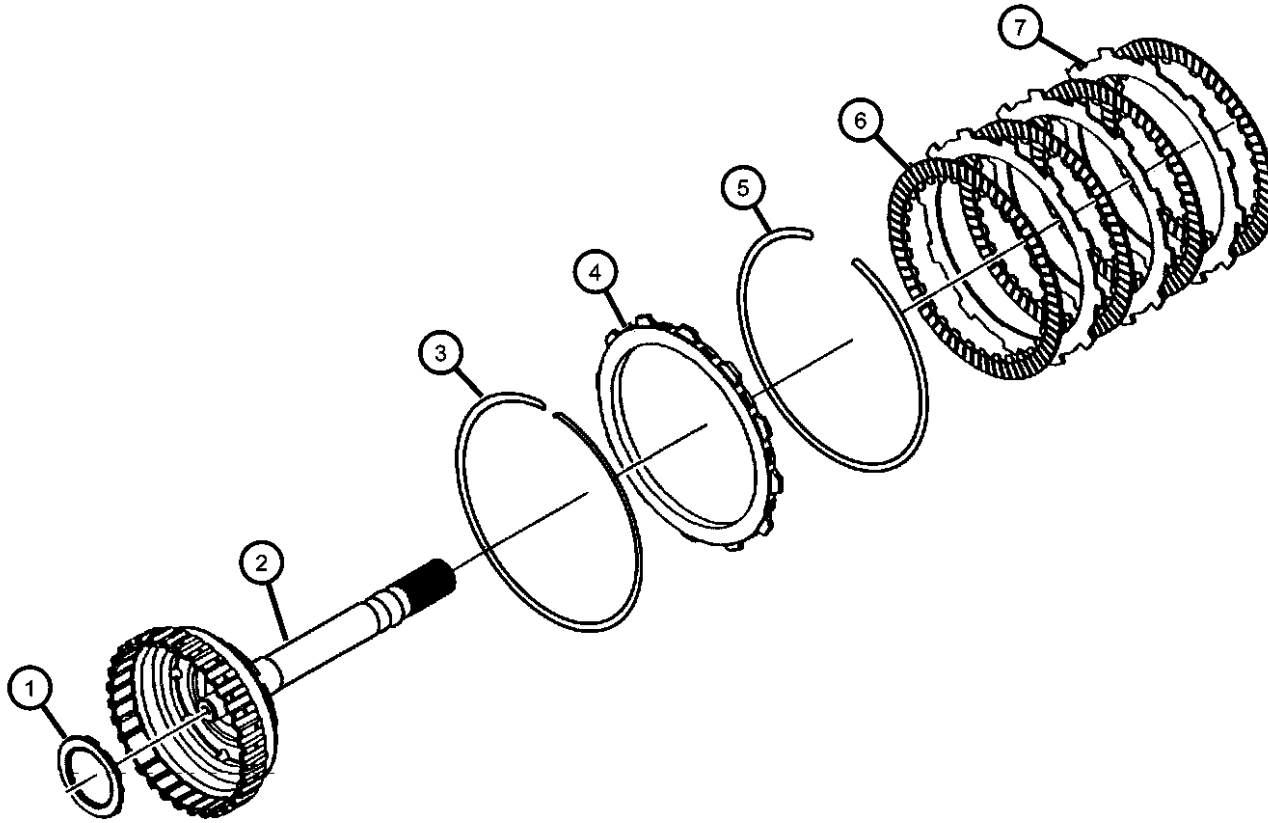
NOTE:

Sales Codes:

[DGQ]=5 Speed Automatic Transmission - [5-45RFE]

[EN0]=All 4/5 Cylinder Turbo Diesel Engines

1	04799469	1	J, U			EN0	DGQ		THRUST BEARING, Needle Roller
2	05127485AA	AR	J, U			EN0	DGQ		HUB AND SHAFT, Underdrive Clutch
3	04799760	AR	J, U			EN0	DGQ		SNAP RING, Transmission
4	04799108AD	AR	J, U			EN0	DGQ		PLATE, Transmission Clutch Reaction
5	04799108AD	AR							SNAP RING, Serviced In Pkg. (05013090AA), (NOT SERVICED)
6	04799108AD	AR							DISC, Clutch, Serviced In Pkg. (05013090AA), (NOT SERVICED)
7	04799108AD	AR							PLATE, Serviced In Pkg. (05013090AA), (NOT SERVICED)
-8	04799667	1	J, U			EN0	DGQ		PLATE, Transmission Clutch Reaction, Low / Reverse Clutch
-9	04799687AB	1	J, U			EN0	DGQ		PLATE, Transmission Clutch Reaction, 2nd Clutch



**LIBERTY (KJ)**

SERIES      LINE  
P = LIMITED      J = JEEP - 4WD  
H = SPORT      U = JEEP - 4WD (RHD)  
M = RENEGADE      T = JEEP - 2WD

BODY  
74 = SPORT UTILITY 4-DR

ENGINE  
ED1 = Engine - 2.4L 4 Cyl DOHC 16v SMPI  
EKG = Engine - 3.7L V6  
ENR = Engine - 2.8L 4 Cyl Turbo Diesel  
ENO = 4CYL turbo diesel

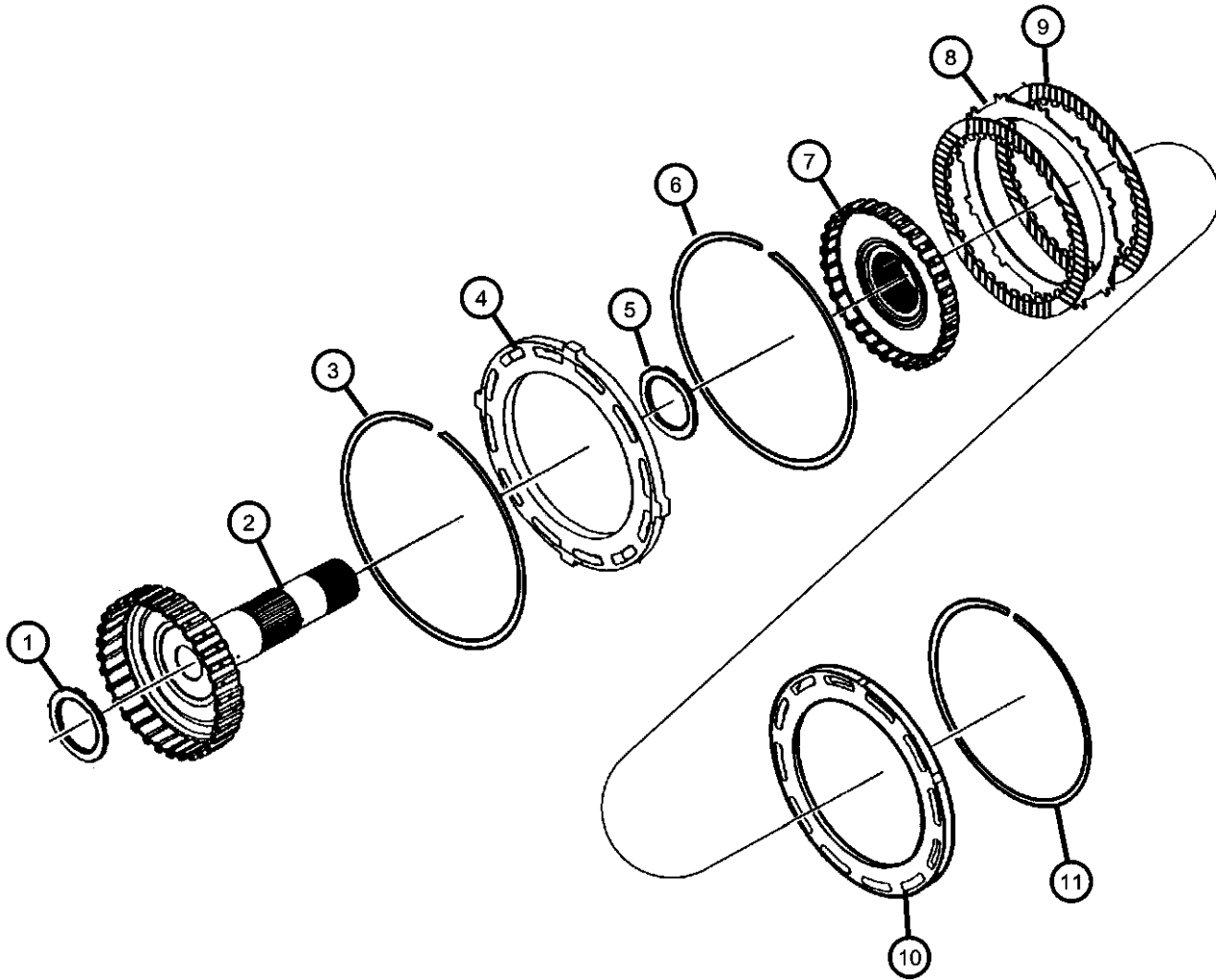
TRANSMISSION  
DGQ = Transmission-5-Spd Automatic 5-45RFE  
DG6 = Transmission-4-Spd. Automatic, 42RLE  
DEH = Transmission-6-Speed Manual, NSG370  
DG0 = Transmissions - All Automatic  
DBB = ALL MANUAL TRANSMISSIONS

AR = use ase required - = Non illustrated part

2005 KJ

**Overdrive  
Figure 5-45RFE-430**

ITEM	PART NUMBER	QTY	LINE	SERIES	BODY	ENGINE	TRANS	TRIM	DESCRIPTION
NOTE: Sales Codes: [DGQ]=5 Speed Automatic Transmission - [5-45RFE] [EN0]=All 4/5 Cylinder Turbo Diesel Engines									
1	04799469	1	J, U			EN0	DGQ		THRUST BEARING, Needle Roller
2	04799550	1	J, U			EN0	DGQ		HUB AND SHAFT, Overdrive Clutch
3	04799118	1	J, U			EN0	DGQ		SNAP RING, Overdrive Clutch
4	04799116AB	1	J, U			EN0	DGQ		PLATE, Clutch Pressure
5	04799469	1	J, U			EN0	DGQ		THRUST BEARING, Needle Roller
6	04799117	1	J, U			EN0	DGQ		SNAP RING, Transmission
7	04799556	1	J, U			EN0	DGQ		HUB AND SHAFT, Reverse Clutch
8	04799556	1							PLATE, PKG 05013090AA, (NOT SERVICED)
9	04799556	1							DISC, Clutch, PKG 05013090AA, (NOT SERVICED)
10	04799121	1	J, U			EN0	DGQ		PLATE, Transmission Clutch Reaction
11	04799121	1							SNAP RING, PKG 05013090AA, (NOT SERVICED)



**LIBERTY (KJ)**

SERIES      LINE  
P = LIMITED      J = JEEP - 4WD  
H = SPORT      U = JEEP - 4WD (RHD)  
M = RENEGADE      T = JEEP - 2WD

BODY  
74 = SPORT UTILITY 4-DR

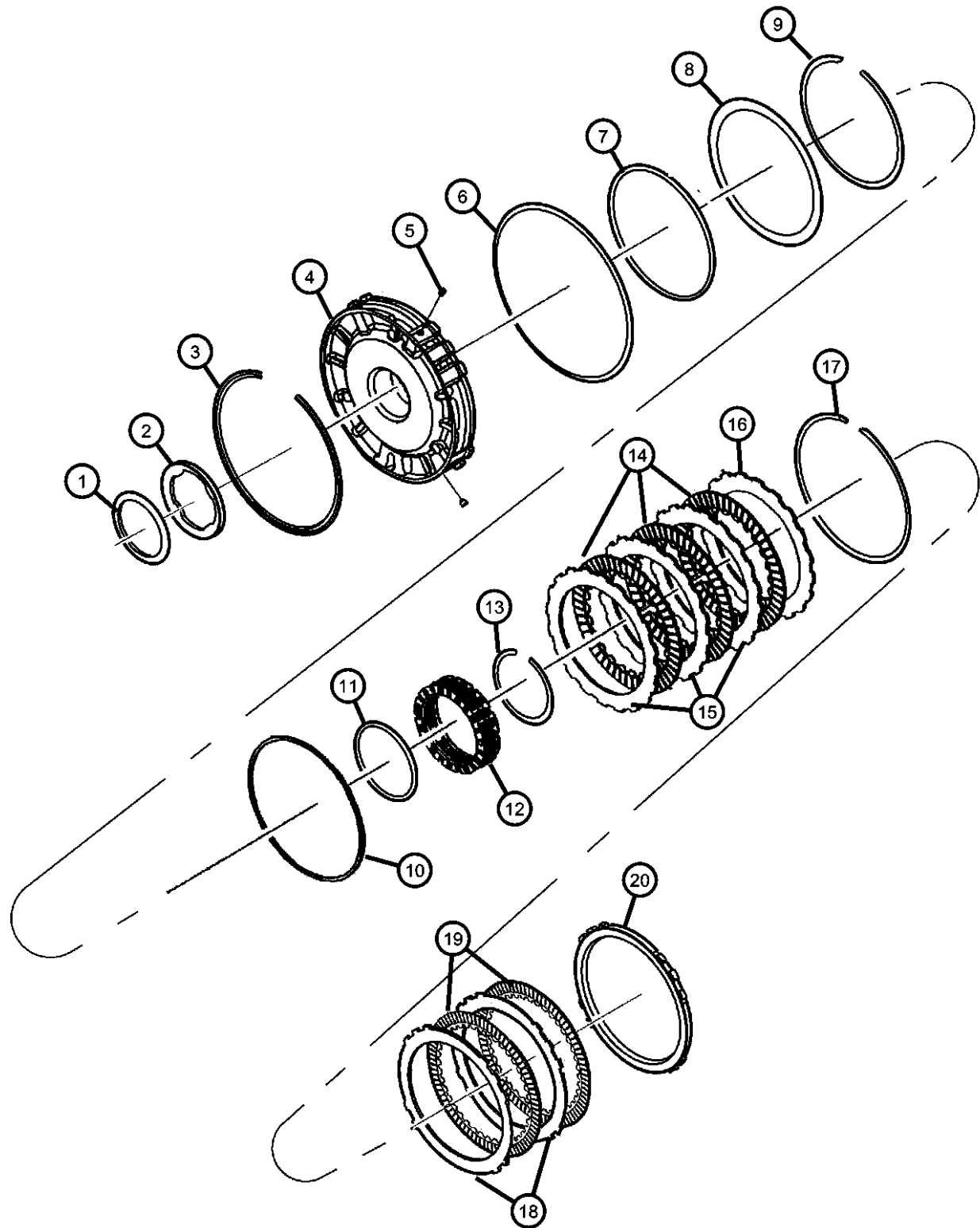
ENGINE  
ED1 = Engine - 2.4L 4 Cyl DOHC 16v SMPI  
EKG = Engine - 3.7L V6  
ENR = Engine - 2.8L 4 Cyl Turbo Diesel  
ENO = 4CYL turbo diesel

TRANSMISSION  
DGQ = Transmission-5-Spd Automatic 5-45RFE  
DG6 = Transmission-4-Spd. Automatic, 42RLE  
DEH = Transmission-6-Speed Manual, NSG370  
DG0 = Transmissions - All Automatic  
DBB = ALL MANUAL TRANSMISSIONS

AR = use ase required - = Non illustrated part

2005 KJ

2 / 4 Clutch Retainer  
Figure 5-45RFE-440



ITEM	PART NUMBER	QTY	LINE	SERIES	BODY	ENGINE	TRANS	TRIM	DESCRIPTION
1	04799936AB	1	J, U			EN0	DGQ		THRUST BEARING, Needle Roller
2	04799936AB	1							PLATE, Clutch Hub Thrust, PKG 05013093AB, (NOT SERVICED)
3	04799680AB	1	J, U			EN0	DGQ		SNAP RING, Transmission
4	04799498AB	1	J, U			EN0	DGQ		RETAINER, Transmission 2nd and 4th Clutch Piston
5	04799086	1	J, U			EN0	DGQ		BLEED ORIFICE, Transmission
6	04799174	1	J, U			EN0	DGQ		SNAP RING, Transmission
7	04799174	1							RING, PKG 05013093AB, (NOT SERVICED)
8	04799521	1	J, U			EN0	DGQ		SPRING, 2nd And 4th Clutch Piston
9	04799522AB	1	J, U			EN0	DGQ		SNAP RING, Transmission
10	04799522AB	1							RING, PKG 05013093AB, (NOT SERVICED)
11	04799522AB	1							RING, PKG 05013093AB, (NOT SERVICED)
12	04799527AB	1	J, U			EN0	DGQ		SPRING, 2nd And 4th Clutch Piston
13	04799680AB	1	J, U			EN0	DGQ		SNAP RING, Transmission
14	04799680AB	1							DISC, Clutch, PKG 05013087AA, (NOT SERVICED)
15	04799680AB	1							PLATE, Clutch Separator, PKG 05013087AA, (NOT SERVICED)
16	04799533	1	J, U			EN0	DGQ		PLATE, Transmission Clutch Reaction
17	04799533	1							SNAP RING, Transmission, PKG 05013087AA, (NOT SERVICED)
18	04799533	1							PLATE, PKG 05013087AA, (NOT SERVICED)
19	04799533	1							DISC, Clutch, PKG 05013087AA, (NOT SERVICED)
20	04799687AB	1	J, U			EN0	DGQ		PLATE, Transmission Clutch Reaction
-21	04799465	1	J, U			EN0	DGQ		CLUTCH, Overrunning
-22	04799457AB	1	J, U			EN0	DGQ		CLUTCH, L/R Clutch
-23	05013087AC	1	J, U			EN0	DGQ		CLUTCH PACKAGE, Automatic Transmission, 2/4

NOTE:

Sales Codes:

[DGQ]=5 Speed Automatic Transmission - [5-45RFE]

[EN0]=All 4/5 Cylinder Turbo Diesel Engines

LIBERTY (KJ)

SERIES      LINE  
P = LIMITED      J = JEEP - 4WD  
H = SPORT      U = JEEP - 4WD (RHD)  
M = RENEGADE      T = JEEP - 2WD

BODY  
74 = SPORT UTILITY 4-DR

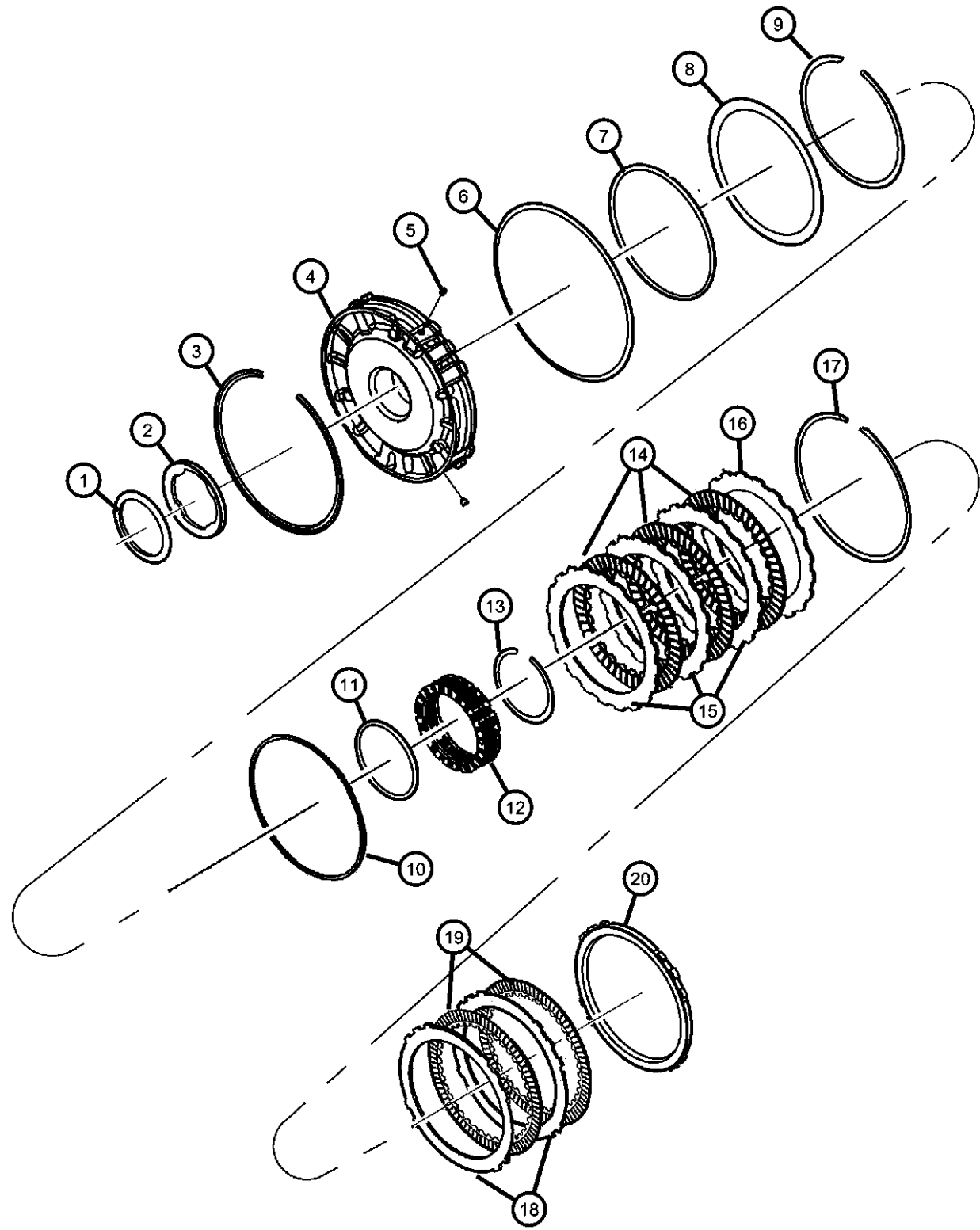
ENGINE  
ED1 = Engine - 2.4L 4 Cyl DOHC 16v SMPI  
EKG = Engine - 3.7L V6  
ENR = Engine - 2.8L 4 Cyl Turbo Diesel  
ENO = 4CYL turbo diesel

TRANSMISSION  
DGQ = Transmission-5-Spd Automatic 5-45RFE  
DG6 = Transmission-4-Spd. Automatic, 42RLE  
DEH = Transmission-6-Speed Manual, NSG370  
DG0 = Transmissions - All Automatic  
DBB = ALL MANUAL TRANSMISSIONS

AR = use ase required - = Non illustrated part

2005 KJ

2 / 4 Clutch Retainer  
Figure 5-45RFE-440



ITEM	PART NUMBER	QTY	LINE	SERIES	BODY	ENGINE	TRANS	TRIM	DESCRIPTION
-24	04799863AA	1	J, U			EN0	DGQ		SNAP RING
-25	04799528AB	1	J, U			EN0	DGQ		SNAP RING, Transmission
-26	04799640AC	1	J, U			EN0	DGQ		SPRING, Low/Reverse Clutch Piston

LIBERTY (KJ)

SERIES      LINE  
P = LIMITED      J = JEEP - 4WD  
H = SPORT      U = JEEP - 4WD (RHD)  
M = RENEGADE      T = JEEP - 2WD

BODY  
74 = SPORT UTILITY 4-DR

ENGINE  
ED1 = Engine - 2.4L 4 Cyl  
DOHC 16v SMPI  
EKG = Engine - 3.7L V6  
ENR = Engine - 2.8L 4 Cyl  
Turbo Diesel  
ENO = 4CYL turbo diesel

TRANSMISSION  
DGQ = Transmission-5-Spd Automatic  
5-45RFE  
DG6 = Transmission-4-Spd.  
Automatic, 42RLE  
DEH = Transmission-6-Speed Manual,  
NSG370  
DG0 = Transmissions - All Automatic  
DBB = ALL MANUAL  
TRANSMISSIONS

AR = use ase required - = Non illustrated part

2005 KJ

**Input / Reverse Planetary  
Figure 5-45RFE-450**

ITEM	PART NUMBER	QTY	LINE	SERIES	BODY	ENGINE	TRANS	TRIM	DESCRIPTION
------	-------------	-----	------	--------	------	--------	-------	------	-------------

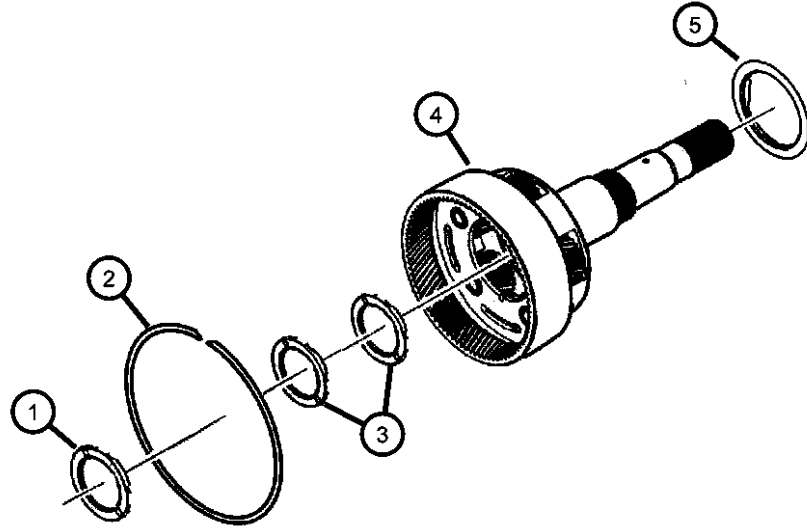
NOTE:

Sales Codes:

[DGQ]=5 Speed Automatic Transmission - [5-45RFE]

[EN0]=All 4/5 Cylinder Turbo Diesel Engines

1	04799469	1	J, U			EN0	DGQ		THRUST BEARING, Needle Roller
2	04799247	1	J, U			EN0	DGQ		SNAP RING
3	52119464AA	1	J, U			EN0	DGQ		THRUST BEARING, Needle Roller
4	04799500AE	1	J, U			EN0	DGQ		CARRIER, Input Complete
5	04799459	1	J, U			EN0	DGQ		THRUST BEARING, Needle Roller
-6	04799503AE	1	J, U			EN0	DGQ		CARRIER, Reverse Complete



**LIBERTY (KJ)**

SERIES      LINE  
P = LIMITED      J = JEEP - 4WD  
H = SPORT      U = JEEP - 4WD (RHD)  
M = RENEGADE      T = JEEP - 2WD

BODY  
74 = SPORT UTILITY 4-DR

ENGINE  
ED1 = Engine - 2.4L 4 Cyl  
DOHC 16v SMPI  
EKG = Engine - 3.7L V6  
ENR = Engine - 2.8L 4 Cyl  
Turbo Diesel  
ENO = 4CYL turbo diesel

TRANSMISSION  
DGQ = Transmission-5-Spd Automatic  
5-45RFE  
DG6 = Transmission-4-Spd.  
Automatic, 42RLE  
DEH = Transmission-6-Speed Manual,  
NSG370  
DG0 = Transmissions - All Automatic  
DBB = ALL MANUAL  
TRANSMISSIONS

AR = use ase required - = Non illustrated part

2005 KJ

**Reaction Annulus / Sun Gear  
Figure 5-45RFE-460**

ITEM	PART NUMBER	QTY	LINE	SERIES	BODY	ENGINE	TRANS	TRIM	DESCRIPTION
------	-------------	-----	------	--------	------	--------	-------	------	-------------

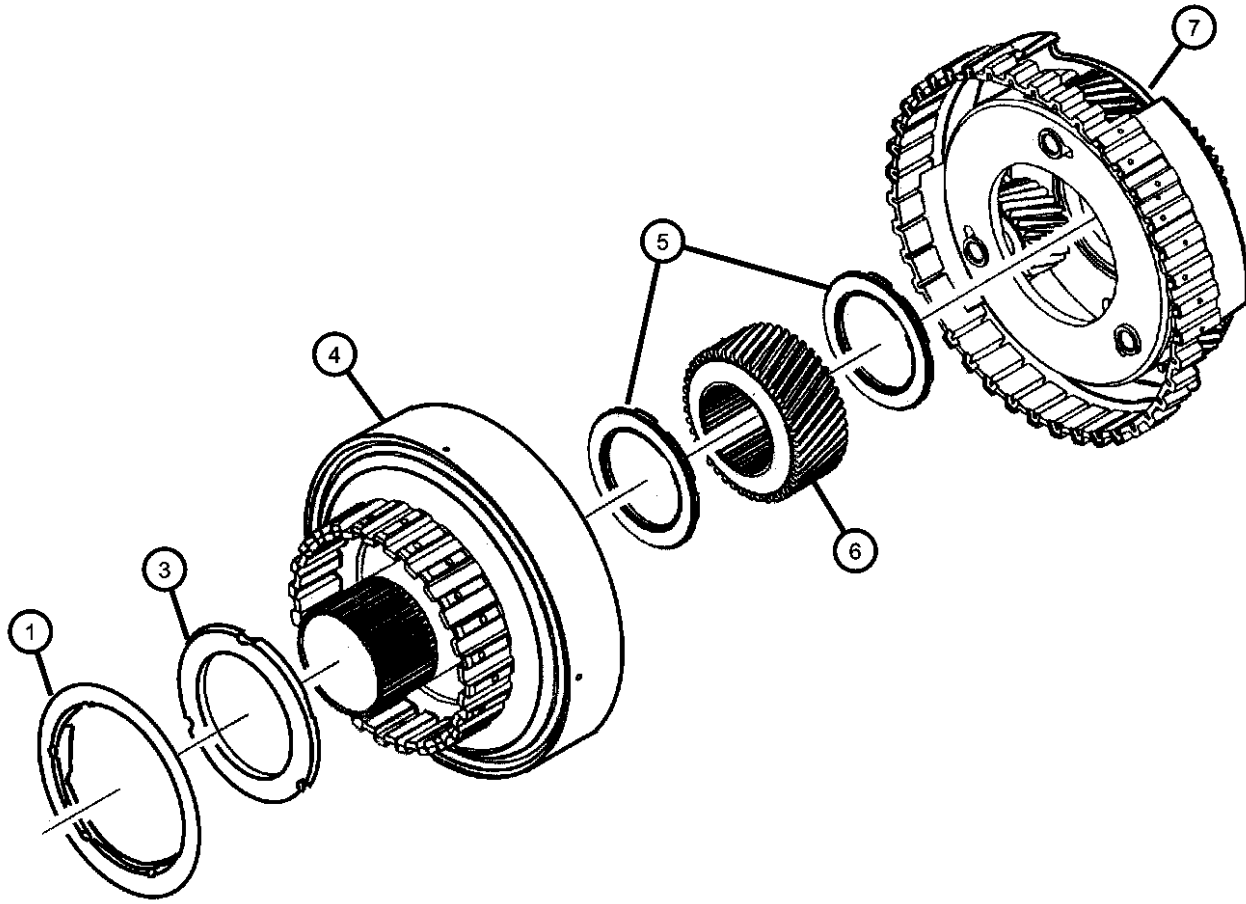
NOTE:

Sales Codes:

[DGQ]=5 Speed Automatic Transmission - [5-45RFE]

[EN0]=All 4/5 Cylinder Turbo Diesel Engines

1	04799459	1	J, U			EN0	DGQ		THRUST BEARING, Needle Roller, Retainer To I-Carrier
-2	52119464AA	1	J, U			EN0	DGQ		THRUST BEARING, Needle Roller, Input Sun Bearing
3	52119464AA	1							THRUST WASHER, Planetary Carrier, PKG 05013092AA, (NOT SERVICED)
4	04799501	1	J, U			EN0	DGQ		GEAR, Annulus
5	04799469	1	J, U			EN0	DGQ		THRUST BEARING, Needle Roller
6	04799602	1	J, U			EN0	DGQ		GEAR, Reaction Sun
7	04799619AB	1	J, U			EN0	DGQ		CARRIER, Reaction Complete
-8	04799586AB	1	J, U			EN0	DGQ		GEAR, Input Sun



**LIBERTY (KJ)**

SERIES      LINE  
P = LIMITED      J = JEEP - 4WD  
H = SPORT      U = JEEP - 4WD (RHD)  
M = RENEGADE      T = JEEP - 2WD

BODY  
74 = SPORT UTILITY 4-DR

ENGINE  
ED1 = Engine - 2.4L 4 Cyl DOHC 16v SMPI  
EKG = Engine - 3.7L V6  
ENR = Engine - 2.8L 4 Cyl Turbo Diesel  
ENO = 4CYL turbo diesel

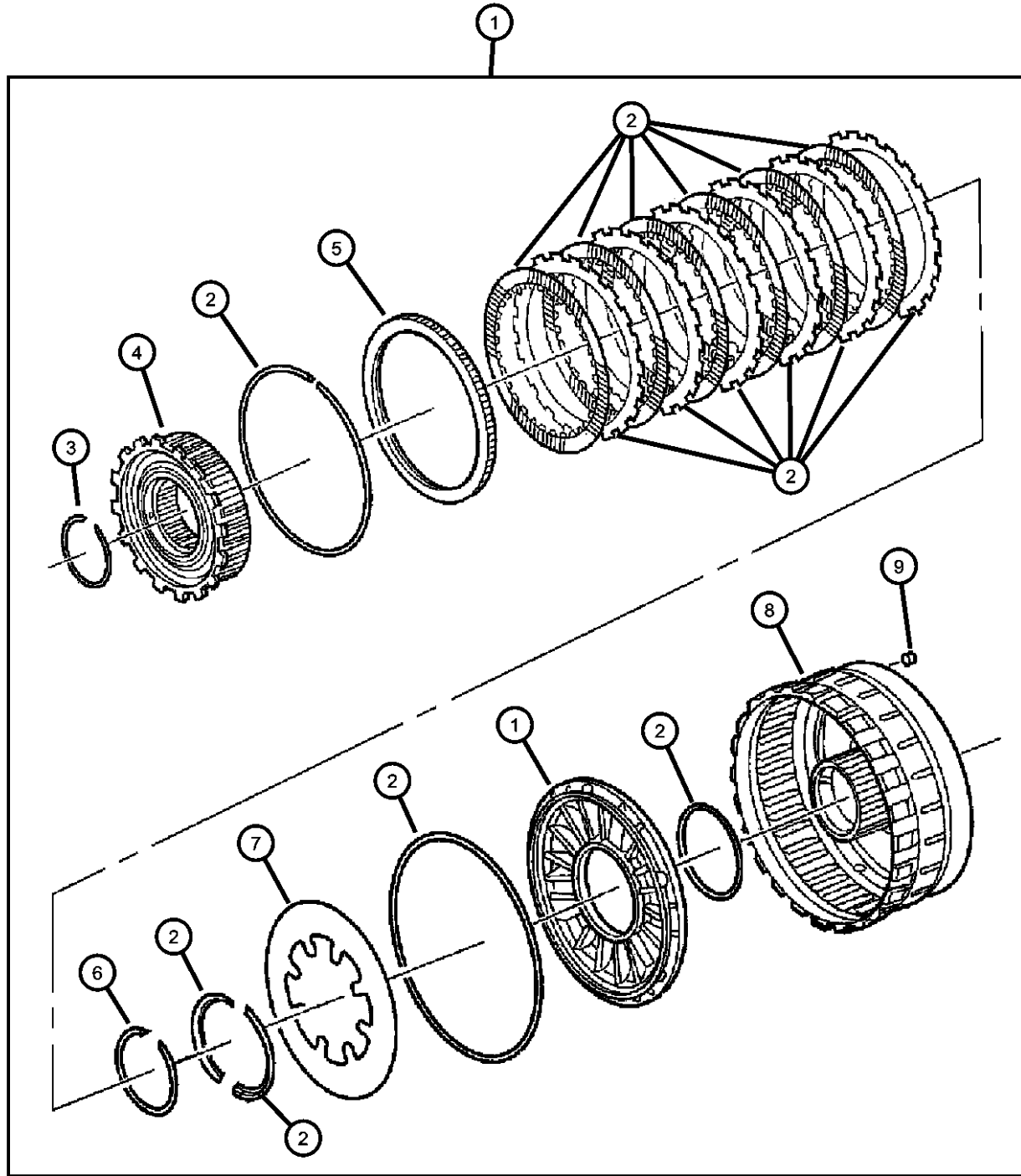
TRANSMISSION  
DGQ = Transmission-5-Spd Automatic 5-45RFE  
DG6 = Transmission-4-Spd. Automatic, 42RLE  
DEH = Transmission-6-Speed Manual, NSG370  
DG0 = Transmissions - All Automatic  
DBB = ALL MANUAL TRANSMISSIONS

AR = use ase required    - = Non illustrated part

2005 KJ



Low / Reverse Clutch  
Figure 5-45RFE-470



ITEM	PART NUMBER	QTY	LINE	SERIES	BODY	ENGINE	TRANS	TRIM	DESCRIPTION
NOTE: Sales Codes: [DGQ]=5 Speed Automatic Transmission - [5-45RFE] [EN0]=All 4/5 Cylinder Turbo Diesel Engines									
1	04799457AB	1	J, U			EN0	DGQ		CLUTCH, L/R Clutch
2	05073003AA	1	J, U			EN0	DGQ		CLUTCH PACKAGE, Automatic Transmission, Low/Reverse
3	04799863AA	1	J, U			EN0	DGQ		SNAP RING
4	04799465	1	J, U			EN0	DGQ		CLUTCH, Overrunning
5	04799667	1	J, U			EN0	DGQ		PLATE, Transmission Clutch Reaction
6	04799863AA	1	J, U			EN0	DGQ		SNAP RING
7	04799640AC	1	J, U			EN0	DGQ		SPRING, Low/Reverse Clutch Piston
8	05179008AA	1	J, U			EN0	DGQ		CLUTCH PACKAGE, Automatic Transmission, Low/Reverse, Includes:Low/ Reverse Clutch & Spring
9	04799086	1	J, U			EN0	DGQ		BLEED ORIFICE, Transmission
-10	04799466	1	J, U			EN0	DGQ		SNAP RING, Transmission

LIBERTY (KJ)

SERIES LINE  
P = LIMITED J = JEEP - 4WD  
H = SPORT U = JEEP - 4WD (RHD)  
M = RENEGADE T = JEEP - 2WD

BODY  
74 = SPORT UTILITY 4-DR

ENGINE  
ED1 = Engine - 2.4L 4 Cyl DOHC 16v SMPI  
EKG = Engine - 3.7L V6  
ENR = Engine - 2.8L 4 Cyl Turbo Diesel  
ENO = 4CYL turbo diesel

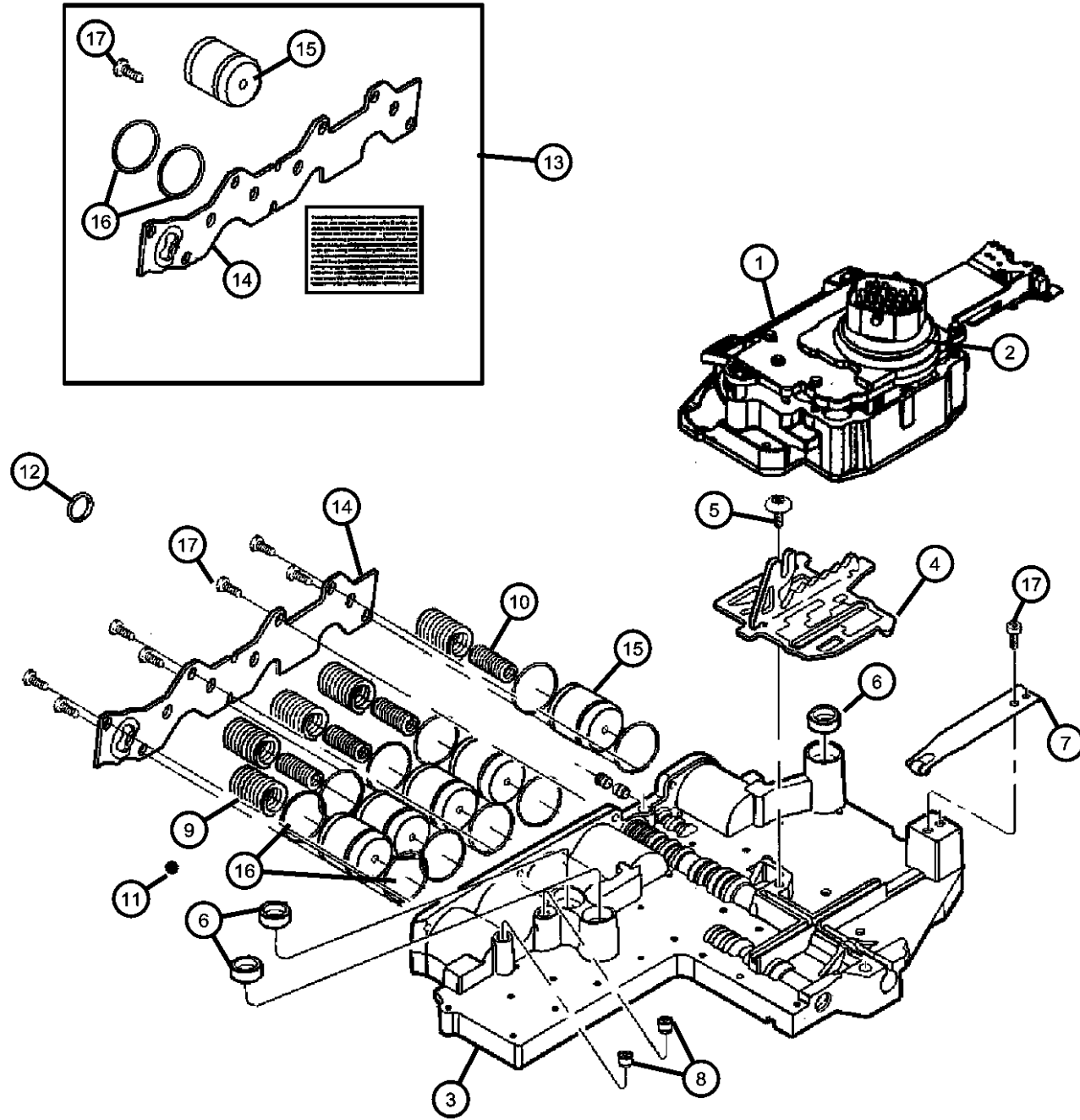
TRANSMISSION  
DGQ = Transmission-5-Spd Automatic 5-45RFE  
DG6 = Transmission-4-Spd. Automatic, 42RLE  
DEH = Transmission-6-Speed Manual, NSG370  
DG0 = Transmissions - All Automatic  
DBB = ALL MANUAL TRANSMISSIONS

AR = use ase required - = Non illustrated part

2005 KJ

**Valve Body**  
**Figure 5-45RFE-710**

ITEM	PART NUMBER	QTY	LINE	SERIES	BODY	ENGINE	TRANS	TRIM	DESCRIPTION
NOTE: Sales Codes: [DGQ]=5 Speed Automatic Transmission - [5-45RFE] [EN0]=All 4/5 Cylinder Turbo Diesel Engines									
1	52119435AA	1	J, U			EN0	DGQ		SOLENOID, Transmission
2	52119435AA	1							SEAL, Manual Valve Position Sensor, Serviced With # 1, (NOT SERVICED)
3	52119450AB	1	J, U			EN0	DGQ		VALVE BODY, Transfer Plate and Valve
4	04799654AC	1	J, U			EN0	DGQ		PLATE, Manual Valve Cam
5	06508087AA	1	J, U			EN0	DGQ		SCREW, Shoulder/Truss, M5x.8x12.5
6	04799778	3	J, U			EN0	DGQ		SEAL, Clutch Feed
7	52119501AA	1	J, U			EN0	DGQ		DETENT, Valve Body
8	04799086	1	J, U			EN0	DGQ		BLEED ORIFICE, Transmission
9	04471880	5	J, U			EN0	DGQ		SPRING, Accumulator
10	04567575	4	J, U			EN0	DGQ		SPRING, Accumulator
11	04446602	7	J, U			EN0	DGQ		BALL, Check
12	06505335AA	1	J, U			EN0	DGQ		O RING, Control Valve
13	05174633AA	1	J, U			EN0	DGQ		ACCUMULATOR KIT, Accumulator Cover
14	04799598AB	1	J, U			EN0	DGQ		COVER, Accumulator
15	04446620AC	5	J, U			EN0	DGQ		PISTON, Accumulator
16	04446544	10	J, U			EN0	DGQ		SEAL, Accumulator
17	06503232	7	J, U			EN0	DGQ		SCREW, Pan Head, M5 x 0.8 x 12.60



**LIBERTY (KJ)**

SERIES      LINE  
P = LIMITED      J = JEEP - 4WD  
H = SPORT      U = JEEP - 4WD (RHD)  
M = RENEGADE      T = JEEP - 2WD

BODY  
74 = SPORT UTILITY 4-DR

ENGINE  
ED1 = Engine - 2.4L 4 Cyl DOHC 16v SMPI  
EKG = Engine - 3.7L V6  
ENR = Engine - 2.8L 4 Cyl Turbo Diesel  
ENO = 4CYL turbo diesel

TRANSMISSION  
DGQ = Transmission-5-Spd Automatic 5-45RFE  
DG6 = Transmission-4-Spd. Automatic, 42RLE  
DEH = Transmission-6-Speed Manual, NSG370  
DG0 = Transmissions - All Automatic  
DBB = ALL MANUAL TRANSMISSIONS

AR = use ase required    - = Non illustrated part

2005 KJ

**Parking Sprag  
Figure 5-45RFE-730**

ITEM	PART NUMBER	QTY	LINE	SERIES	BODY	ENGINE	TRANS	TRIM	DESCRIPTION
------	-------------	-----	------	--------	------	--------	-------	------	-------------

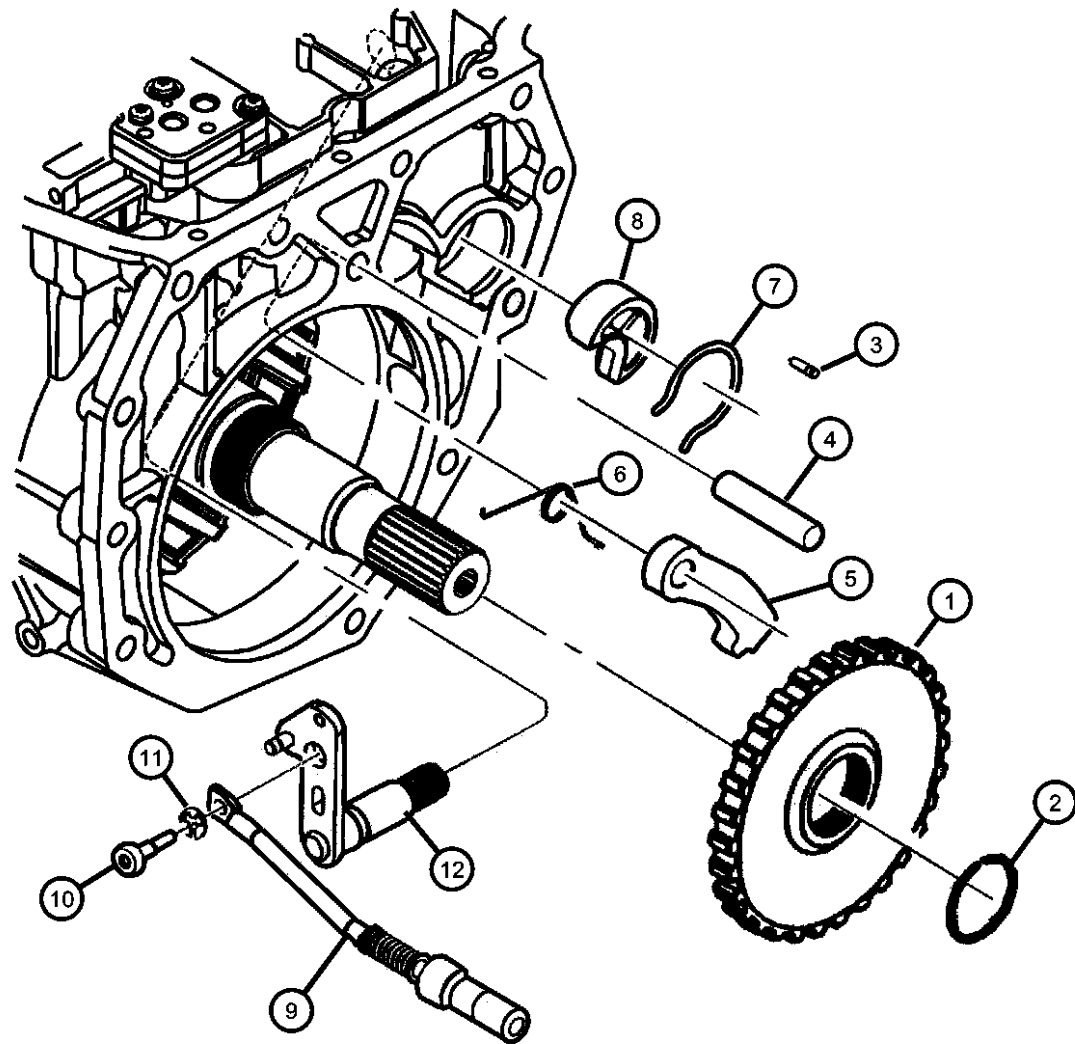
NOTE:

Sales Codes:

[DGQ]=5 Speed Automatic Transmission - [5-45RFE]

[EN0]=All 4/5 Cylinder Turbo Diesel Engines

1	04799493AB	1	J, U			EN0	DGQ		SPRAG, Transmission Parking
2	04799704	1	J, U			EN0	DGQ		SNAP RING, Transmission
3	00456636	1	J, U			EN0	DGQ		PIN
4	04799450	1	J, U			EN0	DGQ		SHAFT, Parking Pawl
5	04799744AD	1	J, U			EN0	DGQ		PAWL, Parking Sprag
6	04799451	1	J, U			EN0	DGQ		SPRING, Torsion
7	04799313	1	J, U			EN0	DGQ		SNAP RING
8	04799774	1	J, U			EN0	DGQ		GUIDE, Parking Sprag Pawl
9	04799611AB	1	J, U			EN0	DGQ		ROD, Parking Sprag
10	06504548	1	J, U			EN0	DGQ		SCREW, M6x1x30
11	06035256	1	J, U			EN0	DGQ		SNAP RING, Rod
12	04799453	1	J, U			EN0	DGQ		LEVER, Shift Shaft



**LIBERTY (KJ)**

SERIES      LINE  
P = LIMITED      J = JEEP - 4WD  
H = SPORT      U = JEEP - 4WD (RHD)  
M = RENEGADE      T = JEEP - 2WD

BODY  
74 = SPORT UTILITY 4-DR

ENGINE  
ED1 = Engine - 2.4L 4 Cyl  
DOHC 16v SMPI  
EKG = Engine - 3.7L V6  
ENR = Engine - 2.8L 4 Cyl  
Turbo Diesel  
ENO = 4CYL turbo diesel

TRANSMISSION  
DGQ = Transmission-5-Spd Automatic  
5-45RFE  
DG6 = Transmission-4-Spd.  
Automatic, 42RLE  
DEH = Transmission-6-Speed Manual,  
NSG370  
DG0 = Transmissions - All Automatic  
DBB = ALL MANUAL  
TRANSMISSIONS

AR = use ase required    - = Non illustrated part

2005 KJ

**Gearshift Controls**  
**Figure 5-45RFE-1210**

ITEM	PART NUMBER	QTY	LINE	SERIES	BODY	ENGINE	TRANS	TRIM	DESCRIPTION
------	-------------	-----	------	--------	------	--------	-------	------	-------------

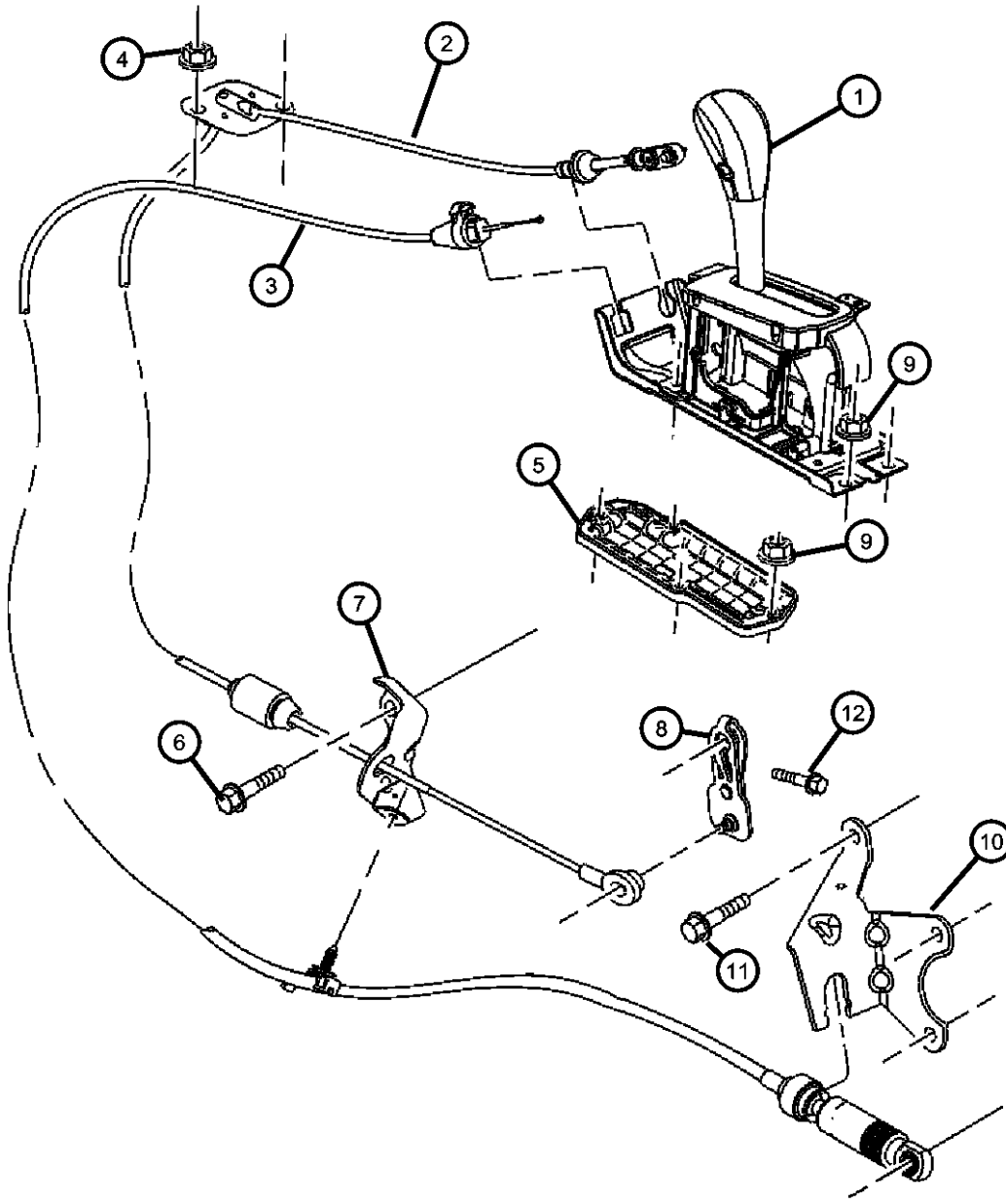
NOTE:

Sales Codes

[DGQ]=5 Speed Automatic Transmission - [5-45RFE]

[DG0]=All Automatic Transmissions

1									HOUSING AND LEVER, Shifter
	52109982AC	1	J, T				DG0		
	52109983AC	1	U				DG0		
2	52104320AA	1					DGQ		CABLE, Gearshift Control
3	52104319AC	1					DG0		CABLE, Gearshift Lock, [Park Interlock]
4	06100047	2							NUT AND WASHER, Hex Nut-Coned Washer, M6 x 1.00
5	52104321AA	1	T						COVER, Transfer Case Lever Hole
6	06101758	2					DGQ		SCREW, Hex Head, M8x1.25x20
7	52104371AC	1					DGQ		BRACKET, Shift Cable
8	52104177AB	1					DGQ		LEVER, Manual Control
9	34201358	4							NUT AND WASHER, Hex Nut-Sealing Washer, M6 x 1.00
10	52128955AA	1	J, U				DGQ		BRACKET, Shifter
11	06101752	3	J, U				DG0		SCREW AND WASHER, Hex Head, M10x1.5x28
12	06101978	1					DGQ		SCREW AND WASHER, Hex Head, M8-1.25x40



**LIBERTY (KJ)**

SERIES      LINE  
P = LIMITED      J = JEEP - 4WD  
H = SPORT      U = JEEP - 4WD (RHD)  
M = RENEGADE      T = JEEP - 2WD

BODY  
74 = SPORT UTILITY 4-DR

ENGINE  
ED1 = Engine - 2.4L 4 Cyl  
DOHC 16v SMPI  
EKG = Engine - 3.7L V6  
ENR = Engine - 2.8L 4 Cyl  
Turbo Diesel  
ENO = 4CYL turbo diesel

TRANSMISSION  
DGQ = Transmission-5-Spd Automatic  
5-45RFE  
DG6 = Transmission-4-Spd.  
Automatic, 42RLE  
DEH = Transmission-6-Speed Manual,  
NSG370  
DG0 = Transmissions - All Automatic  
DBB = ALL MANUAL  
TRANSMISSIONS

AR = use ase required    - = Non illustrated part

2005 KJ

L / R Clutch  
Figure 5-45RFE-1310

**LR CLUTCH PACKAGE 05013091aa**

	D-ring, external (L/R piston outer)
	D-ring, internal (L/R piston inner)
(6)	Plate, clutch separator (1.74mm thk)
(6)	Disc assy, clutch (L/R)
	Snap ring, flat (1.5/1.6 thk)
	Snap ring, flat (2.03/2.13 thk)
	Snap ring, flat (2.54/2.68 thk)
(2)	Retainer, c-clip

①

ITEM	PART NUMBER	QTY	LINE	SERIES	BODY	ENGINE	TRANS	TRIM	DESCRIPTION
------	-------------	-----	------	--------	------	--------	-------	------	-------------

NOTE:

Sales Codes:

[DGQ]=5 Speed Automatic Transmission - [5-45RFE]

[EN0]=All 4/5 Cylinder Turbo Diesel Engines

1	05073003AA	1	J, U			EN0	DGQ		CLUTCH PACKAGE, Automatic Transmission, Low/Reverse
---	------------	---	------	--	--	-----	-----	--	---

**LIBERTY (KJ)**

SERIES      LINE  
P = LIMITED      J = JEEP - 4WD  
H = SPORT      U = JEEP - 4WD (RHD)  
M = RENEGADE      T = JEEP - 2WD

BODY  
74 = SPORT UTILITY 4-DR

ENGINE  
ED1 = Engine - 2.4L 4 Cyl DOHC 16v SMPI  
EKG = Engine - 3.7L V6  
ENR = Engine - 2.8L 4 Cyl Turbo Diesel  
ENO = 4CYL turbo diesel

TRANSMISSION  
DGQ = Transmission-5-Spd Automatic 5-45RFE  
DG6 = Transmission-4-Spd. Automatic, 42RLE  
DEH = Transmission-6-Speed Manual, NSG370  
DG0 = Transmissions - All Automatic  
DBB = ALL MANUAL TRANSMISSIONS

AR = use ase required - = Non illustrated part

2005 KJ

**Input Clutch Plate  
Figure 5-45RFE-1320**

**SELECTIVE THRUST PLATES      05013093aa**  
**INPUT CLUTCH THRUST PLATE PKG**

Thrust plate, input clutc 1.52 / 1.61
Thrust plate, input clutc 1.66 / 1.75
Thrust plate, input clutc 1.80 / 1.89
Thrust plate, input clutc 1.94 / 2.03
Thrust plate, input clutc 2.08 / 2.17
Thrust plate, input clutc 2.22 / 2.31
Thrust plate, input clutc 2.36 / 2.45
Thrust plate, input clutc 2.50 / 2.59
Thrust plate, input clutc 2.64 / 2.73
Thrust plate, input clutc 2.78 / 2.87
Thrust plate, input clutc 2.92 / 3.01
Thrust plate, input clutc 3.06 / 3.15
Thrust plate, input clutc 3.20 / 3.29
Thrust plate, input clutc 3.34 / 3.43
Thrust plate, input clutc 3.62 / 3.71

①

ITEM	PART NUMBER	QTY	LINE	SERIES	BODY	ENGINE	TRANS	TRIM	DESCRIPTION
------	-------------	-----	------	--------	------	--------	-------	------	-------------

NOTE:  
Sales Codes:  
[DGQ]=5 Speed Automatic Transmission - [5-45RFE]  
[EN0]=All 4/5 Cylinder Turbo Diesel Engines

1	05013093AA	1	J, U			EN0	DGQ		PLATE PACKAGE, Input Clutch Thrust
---	------------	---	------	--	--	-----	-----	--	------------------------------------

<b>LIBERTY (KJ)</b>				
SERIES	LINE	BODY	ENGINE	TRANSMISSION
P = LIMITED	J = JEEP - 4WD	74 = SPORT UTILITY 4-DR	ED1 = Engine - 2.4L 4 Cyl DOHC 16v SMPI	DGQ = Transmission-5-Spd Automatic 5-45RFE
H = SPORT	U = JEEP - 4WD (RHD)		EKG = Engine - 3.7L V6	DG6 = Transmission-4-Spd. Automatic, 42RLE
M = RENEGADE	T = JEEP - 2WD		ENR = Engine - 2.8L 4 Cyl Turbo Diesel	DEH = Transmission-6-Speed Manual, NSG370
			ENO = 4CYL turbo diesel	DG0 = Transmissions - All Automatic
				DBB = ALL MANUAL TRANSMISSIONS

AR = use ase required - = Non illustrated part

O / H  
Figure 5-45RFE-1330

ITEM	PART NUMBER	QTY	LINE	SERIES	BODY	ENGINE	TRANS	TRIM	DESCRIPTION
------	-------------	-----	------	--------	------	--------	-------	------	-------------

NOTE:

Sales Codes:

[DGQ]=5 Speed Automatic Transmission - [5-45RFE]

[EN0]=All 4/5 Cylinder Turbo Diesel Engines

1 05014221AJ 1 J, U

EN0 DGQ

OVERHAUL PACKAGE,  
Transmission

**O/H seal/gasket package**

**05014221ac**

1

	2&4 clutch package	
	Input clutch package	
	L/R clutch package	
	Sump filter & seal package	
	Cooler filter	
	fill tube sea	
	Frt pmp cover o-ring/seal assy	
	Rotating shaft seal,pmp hsg	
	Adapter seal, 4x4	
	Extension seal,4x2	
	Manual lever seal	
(2)	Speed sensor seal	
	Reaction supt ring seal	
	Rev O/D clutch filter	
(10)	Accumulator ring seal	
(3)	Valve body seal	
	Check valve o-ring	
	Solenoid insulator seal	
	T/C seal	

**LIBERTY (KJ)**

SERIES LINE  
P = LIMITED J = JEEP - 4WD  
H = SPORT U = JEEP - 4WD (RHD)  
M = RENEGADE T = JEEP - 2WD

BODY  
74 = SPORT UTILITY 4-DR

ENGINE  
ED1 = Engine - 2.4L 4 Cyl  
DOHC 16v SMPI  
EKG = Engine - 3.7L V6  
ENR = Engine - 2.8L 4 Cyl  
Turbo Diesel  
ENO = 4CYL turbo diesel

TRANSMISSION  
DGQ = Transmission-5-Spd Automatic  
5-45RFE  
DG6 = Transmission-4-Spd.  
Automatic, 42RLE  
DEH = Transmission-6-Speed Manual,  
NSG370  
DG0 = Transmissions - All Automatic  
DBB = ALL MANUAL  
TRANSMISSIONS

AR = use ase required - = Non illustrated part

2005 KJ

**Input Clutch  
Figure 5-45RFE-1340**

**INPUT CLUTCH PACKAGE 05013090aa**

	O-ring, large (2.62mm x 79.84 ID,gm)
	O-ring, small (2.62mm x 70.56 ID,red)
(2)	Seal, internal lip
(2)	Ring seal, I-shaft
	O-ring, piston inner (2.62mm x 93.54 ID)
(5)	Plate, clutch separator (1.74mm thk)
(4)	Disc assy, clutch (u/d clutch)
(4)	Disc assy, clutch (o/d clutch)
(3)	PLate, clutch separator (2.21mm thk, O/D)
(2)	Disc assy, clutch (rev clutch)
	Snap ring,tapered, internal butterfly end
	Snap ring, flat (1.5/1.6 thk)
	Snap ring, flat (1.80/1.90 thk)
	Snap ring, flat (2.15/2.25 thk)
	Piston & seal, underdrive
	Piston & seal, underdrive balance

1

ITEM	PART NUMBER	QTY	LINE	SERIES	BODY	ENGINE	TRANS	TRIM	DESCRIPTION
------	-------------	-----	------	--------	------	--------	-------	------	-------------

NOTE:

Sales Codes:

[DGQ]=5 Speed Automatic Transmission - [5-45RFE]

[EN0]=All 4/5 Cylinder Turbo Diesel Engines

1	05013090AC	1	J, U			EN0	DGQ		CLUTCH PACKAGE, Automatic Transmission, Input
---	------------	---	------	--	--	-----	-----	--	---

**LIBERTY (KJ)**

SERIES	LINE
P = LIMITED	J = JEEP - 4WD
H = SPORT	U = JEEP - 4WD (RHD)
M = RENEGADE	T = JEEP - 2WD

BODY  
74 = SPORT UTILITY 4-DR

ENGINE  
ED1 = Engine - 2.4L 4 Cyl DOHC 16v SMPI  
EKG = Engine - 3.7L V6  
ENR = Engine - 2.8L 4 Cyl Turbo Diesel  
ENO = 4CYL turbo diesel

TRANSMISSION  
DGQ = Transmission-5-Spd Automatic 5-45RFE  
DG6 = Transmission-4-Spd. Automatic, 42RLE  
DEH = Transmission-6-Speed Manual, NSG370  
DG0 = Transmissions - All Automatic  
DBB = ALL MANUAL TRANSMISSIONS

AR = use ase required - = Non illustrated part

2005 KJ



**Planetary Plate**  
Figure 5-45RFE-1350

ITEM	PART NUMBER	QTY	LINE	SERIES	BODY	ENGINE	TRANS	TRIM	DESCRIPTION
------	-------------	-----	------	--------	------	--------	-------	------	-------------

**SELECTIVE THRUST PLATES**

**PLANETARY THRUST PLATE PKG 05013092aa**

	Thrust plate, planetary	1.62 / 1.75
	Thrust plate, planetary	1.81 / 1.94
	Thrust plate, planetary	1.96 / 2.09
	Thrust plate, planetary	2.11 / 2.24
	Thrust plate, planetary	2.26 / 2.39
	Thrust plate, planetary	2.41 / 2.54
	Thrust plate, planetary	2.56 / 2.69
	Thrust plate, planetary	2.71 / 2.84
	Thrust plate, planetary	2.86 / 2.99
	Thrust plate, planetary	3.01 / 3.14
	Thrust plate, planetary	3.16 / 3.29
	Thrust plate, planetary	3.31 / 3.44
	Thrust plate, planetary	3.46 / 3.59
	Thrust plate, planetary	3.61 / 3.74
	Thrust plate, planetary	3.76 / 3.89
	Thrust plate, planetary	3.91 / 4.04
	Thrust plate, planetary	4.06 / 4.19
	Thrust plate, planetary	4.21 / 4.34
	Thrust plate, planetary	4.36 / 4.49

①

NOTE:

Sales Codes:

[DGQ]=5 Speed Automatic Transmission - [5-45RFE]

[EN0]=All 4/5 Cylinder Turbo Diesel Engines

1	05013092AB	1	J, U			EN0	DGQ		PLATE PACKAGE, Planetary Thrust
-2									PLATE, Clutch Hub Thrust, Input Clutch Plate
	04799830AB	AR	J, U			EN0	DGQ		[1.94/2.03]
	04799831AB	AR	J, U			EN0	DGQ		[2.08/2.17]
	04799832AB	AR	J, U			EN0	DGQ		[2.22/2.31]
	04799833AB	AR	J, U			EN0	DGQ		[2.36/2.45]
	04799834AB	AR	J, U			EN0	DGQ		[2.50/2.59]
	04799835AB	AR	J, U			EN0	DGQ		[2.64/2.73]
	04799836AB	AR	J, U			EN0	DGQ		[2.78/2.87]
	04799837AB	AR	J, U			EN0	DGQ		[2.92/3.01]
-3									PLATE, Planetary, Thrust Plate
	04799810AC	AR	J, U			EN0	DGQ		[2.26/2.39]
	04799811AC	AR	J, U			EN0	DGQ		[2.41/2.54]
	04799812AC	AR	J, U			EN0	DGQ		[2.56/2.69]
	04799813AC	AR	J, U			EN0	DGQ		[2.71/2.84]
	04799814AC	AR	J, U			EN0	DGQ		[2.86/2.99]
	04799816AC	AR	J, U			EN0	DGQ		[3.16/3.29]
	04799817AC	AR	J, U			EN0	DGQ		[3.31/3.44]
	04799818AC	AR	J, U			EN0	DGQ		[3.46/3.59]
	04799819AC	AR	J, U			EN0	DGQ		[3.61/3.74]
	04799843AC	AR	J, U			EN0	DGQ		[3.01/3.14]

**LIBERTY (KJ)**

SERIES            LINE  
P = LIMITED      J = JEEP - 4WD  
H = SPORT        U = JEEP - 4WD (RHD)  
M = RENEGADE   T = JEEP - 2WD

BODY  
74 = SPORT UTILITY 4-DR

ENGINE  
ED1 = Engine - 2.4L 4 Cyl DOHC 16v SMPI  
EKG = Engine - 3.7L V6  
ENR = Engine - 2.8L 4 Cyl Turbo Diesel  
ENO = 4CYL turbo diesel

TRANSMISSION  
DGQ = Transmission-5-Spd Automatic 5-45RFE  
DG6 = Transmission-4-Spd. Automatic, 42RLE  
DEH = Transmission-6-Speed Manual, NSG370  
DG0 = Transmissions - All Automatic  
DBB = ALL MANUAL TRANSMISSIONS

AR = use ase required - = Non illustrated part

2005 KJ

**2 & 4 Clutch**  
**Figure 5-45RFE-1360**

ITEM	PART NUMBER	QTY	LINE	SERIES	BODY	ENGINE	TRANS	TRIM	DESCRIPTION
------	-------------	-----	------	--------	------	--------	-------	------	-------------

NOTE:

Sales Codes:

[DGQ]=5 Speed Automatic Transmission - [5-45RFE]

[EN0]=All 4/5 Cylinder Turbo Diesel Engines

1	05013087AC	1	J, U			EN0	DGQ		CLUTCH PACKAGE, Automatic Transmission, 2/4
---	------------	---	------	--	--	-----	-----	--	---

**2&4 CLUTCH PACKAGE 05013087aa**

(2)	Disc assy, clutch (2nd clutch)
(2)	Plate, clutch separator
	D-ring, external (2nd outer)
	D-ring, internal (2nd inner)
	D-ring, internal (4th outer)
	D-ring, internal (4th inner)
(3)	Plate, clutch separator (4th clutch)
(3)	Disc assy, clutch (4th clutch)
	Snap ring (4th, 1.74/1.84 thk)
	Snap ring (4th, 2.15/2.25 thk)
	Snap ring (4th, 2.56/2.66 thk)

**LIBERTY (KJ)**

SERIES            LINE  
P = LIMITED      J = JEEP - 4WD  
H = SPORT        U = JEEP - 4WD (RHD)  
M = RENEGADE    T = JEEP - 2WD

BODY  
74 = SPORT UTILITY 4-DR

ENGINE  
ED1 = Engine - 2.4L 4 Cyl DOHC 16v SMPI  
EKG = Engine - 3.7L V6  
ENR = Engine - 2.8L 4 Cyl Turbo Diesel  
ENO = 4CYL turbo diesel

TRANSMISSION  
DGQ = Transmission-5-Spd Automatic 5-45RFE  
DG6 = Transmission-4-Spd. Automatic, 42RLE  
DEH = Transmission-6-Speed Manual, NSG370  
DG0 = Transmissions - All Automatic  
DBB = ALL MANUAL TRANSMISSIONS

AR = use ase required - = Non illustrated part

2005 KJ

# Group - NSG370

## Manual Transmission 6 Speed

### Group - NSG370 Manual Transmission 6 Speed

Group-Fig. No.

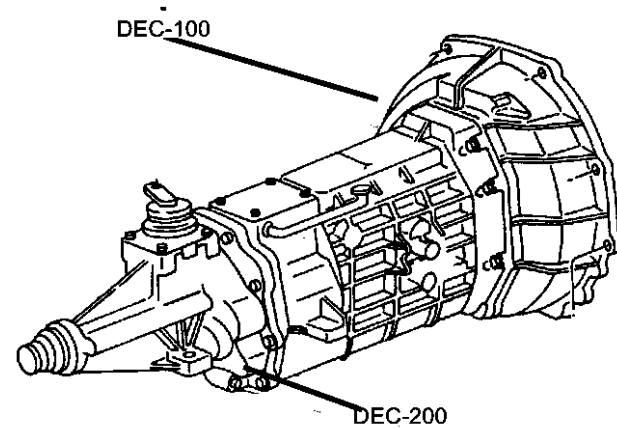


Illustration Title

#### Transmission

Transmission Assembly [DEH] ..... Fig. NSG370 - 110

#### Case & Extension

Front Case and Related Parts [DEH] ..... Fig. NSG370 - 210

Rear Case and Related Parts [DEH] ..... Fig. NSG370 - 220

#### Gear Train

Input Shaft [DEH] ..... Fig. NSG370 - 410

Main Shaft [DEH] ..... Fig. NSG370 - 420

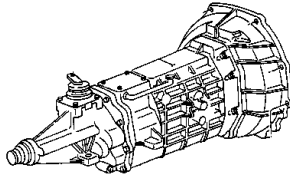
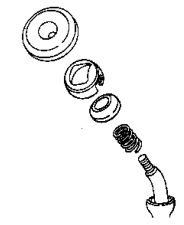
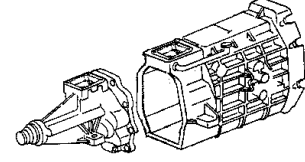
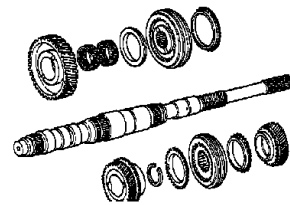
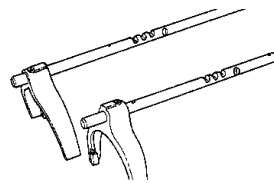
Countershaft ..... Fig. NSG370 - 430

#### Forks and Rails

Fork and Rails [DEH] ..... Fig. NSG370 - 910

#### Gear Shift Controls

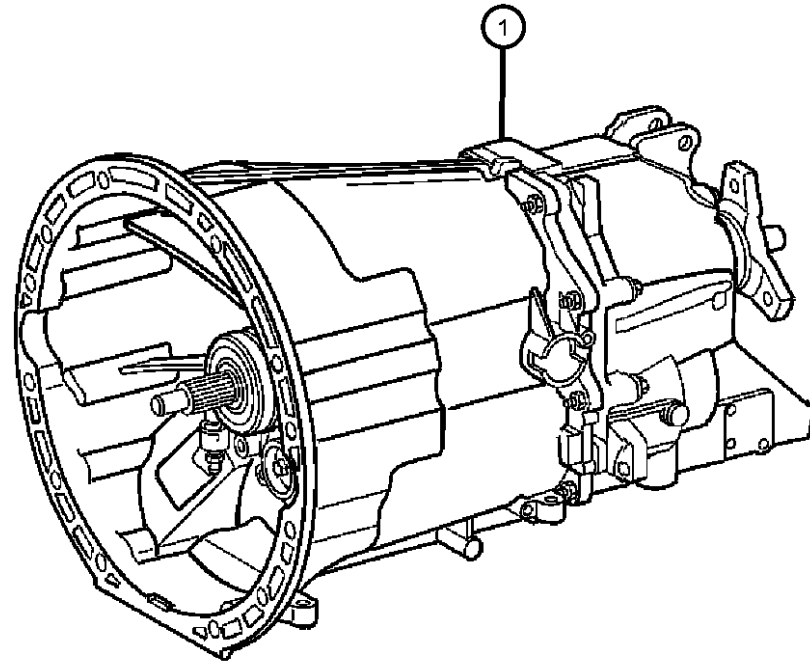
Gearshift Control [DEH] ..... Fig. NSG370 - 1210

<p><b>NSG370-100</b> Transmission</p> 	<p><b>NSG370-1200</b> Gear Shift Controls</p> 	<p><b>NSG370-200</b> Case &amp; Extension</p> 	<p><b>NSG370-400</b> Gear Train</p> 
<p><b>NSG370-900</b> Forks and Rails</p> 			

**Transmission Assembly [DEH]  
Figure NSG370-110**

ITEM	PART NUMBER	QTY	LINE	SERIES	BODY	ENGINE	TRANS	TRIM	DESCRIPTION
------	-------------	-----	------	--------	------	--------	-------	------	-------------

NOTE:  
Sales Codes:  
[DEH]=6 Speed Manual Transmission - [NSG370]  
[ED0]=All 2.4L In-Line 4 Cylinder Engines  
[EK0]=All 3.7L V-6 Engines  
[EN0]=All 4/5 Cylinder Turbo Diesel Engines



1									TRANSMISSION, NSG370
	52104702AA 04874464	1	J, U			EK0	DEH		Mopar Manual Transmission Fluid
	52104703AA 04874464	1	T			EK0	DEH		Mopar Manual Transmission Fluid
	52104704AB 52104707AA 04874464	1	J, U			EN0	DEH		Mopar Manual Transmission Fluid
	52104708AA 04874464	1	J, U			ED0	DEH		Mopar Manual Transmission Fluid

**LIBERTY (KJ)**

SERIES      LINE  
P = LIMITED    J = JEEP - 4WD  
H = SPORT      U = JEEP - 4WD (RHD)  
M = RENEGADE   T = JEEP - 2WD

BODY  
74 = SPORT UTILITY 4-DR

ENGINE  
ED1 = Engine - 2.4L 4 Cyl  
DOHC 16v SMPI  
EK0 = Engine - 3.7L V6  
ENR = Engine - 2.8L 4 Cyl  
Turbo Diesel  
ENO = 4CYL turbo diesel

TRANSMISSION  
DGQ = Transmission-5-Spd Automatic  
5-45RFE  
DG6 = Transmission-4-Spd.  
Automatic, 42RLE  
DEH = Transmission-6-Speed Manual,  
NSG370  
DG0 = Transmissions - All Automatic  
DBB = ALL MANUAL  
TRANSMISSIONS

AR = use ase required - = Non illustrated part

2005 KJ

**Front Case and Related Parts [DEH]  
Figure NSG370-210**

ITEM	PART NUMBER	QTY	LINE	SERIES	BODY	ENGINE	TRANS	TRIM	DESCRIPTION
1									HOUSING, Transmission
	05159141AA	1	T			ED0	DEH		Front, Case
		1	J, U			ED0	DEH		Front, Case
	05159142AA	1	T			EK0	DEH		Front, Case
		1	J, U			EK0	DEH		Front, Case
		1	J, U			EN0	DEH		Front, Case
2									PIN, Dowel
	05097594AA	2	T			EK0	DEH		
		2	J, U			EK0	DEH		
		2	T			ED0	DEH		
		2	J, U			ED0	DEH		
		2	J, U			EN0	DEH		
3									SEAL
	05099840AA	1	T			EK0	DEH		
		1	J, U			EK0	DEH		
		1	T			ED0	DEH		
		1	J, U			ED0	DEH		
		1	J, U			EN0	DEH		
4									BEARING
	05098879AA	2	T			EK0	DEH		
		2	J, U			EK0	DEH		
		2	T			ED0	DEH		
		2	J, U			ED0	DEH		
		1	J, U			EN0	DEH		
5									BEARING, Countershaft
	05098878AA	1	T			EK0	DEH		
		1	J, U			EK0	DEH		
		1	T			ED0	DEH		

**LIBERTY (KJ)**

SERIES      LINE  
P = LIMITED      J = JEEP - 4WD  
H = SPORT      U = JEEP - 4WD (RHD)  
M = RENEGADE      T = JEEP - 2WD

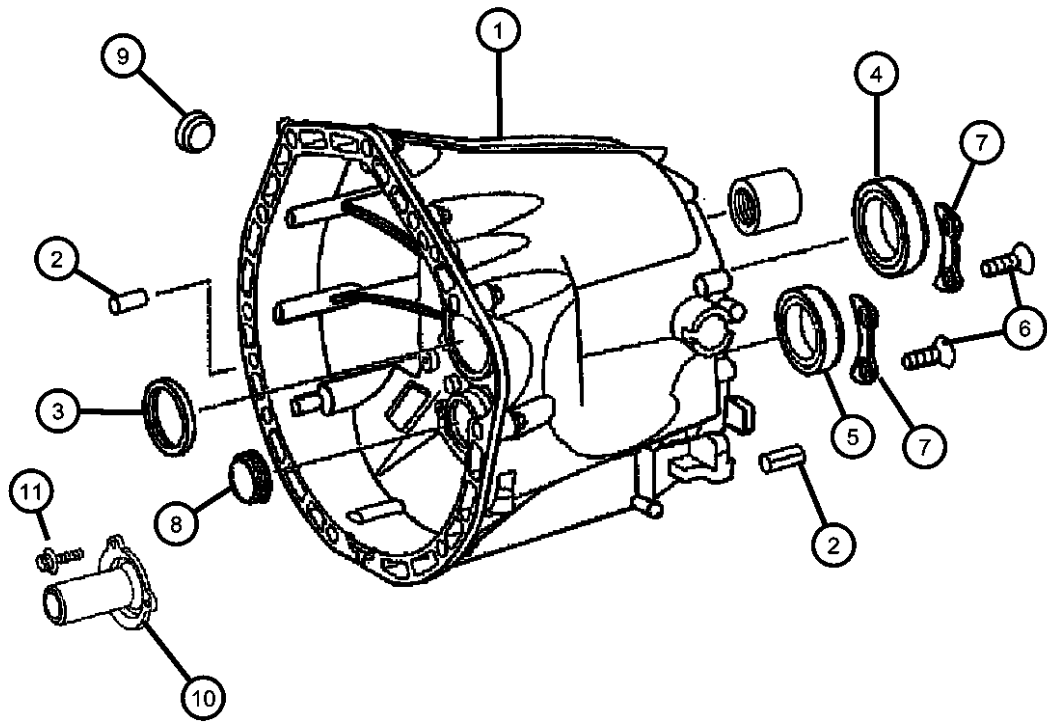
BODY  
74 = SPORT UTILITY 4-DR

ENGINE  
ED1 = Engine - 2.4L 4 Cyl  
DOHC 16v SMPI  
EKG = Engine - 3.7L V6  
ENR = Engine - 2.8L 4 Cyl  
Turbo Diesel  
ENO = 4CYL turbo diesel

TRANSMISSION  
DGQ = Transmission-5-Spd Automatic  
5-45RFE  
DG6 = Transmission-4-Spd.  
Automatic, 42RLE  
DEH = Transmission-6-Speed Manual,  
NSG370  
DG0 = Transmissions - All Automatic  
DBB = ALL MANUAL  
TRANSMISSIONS

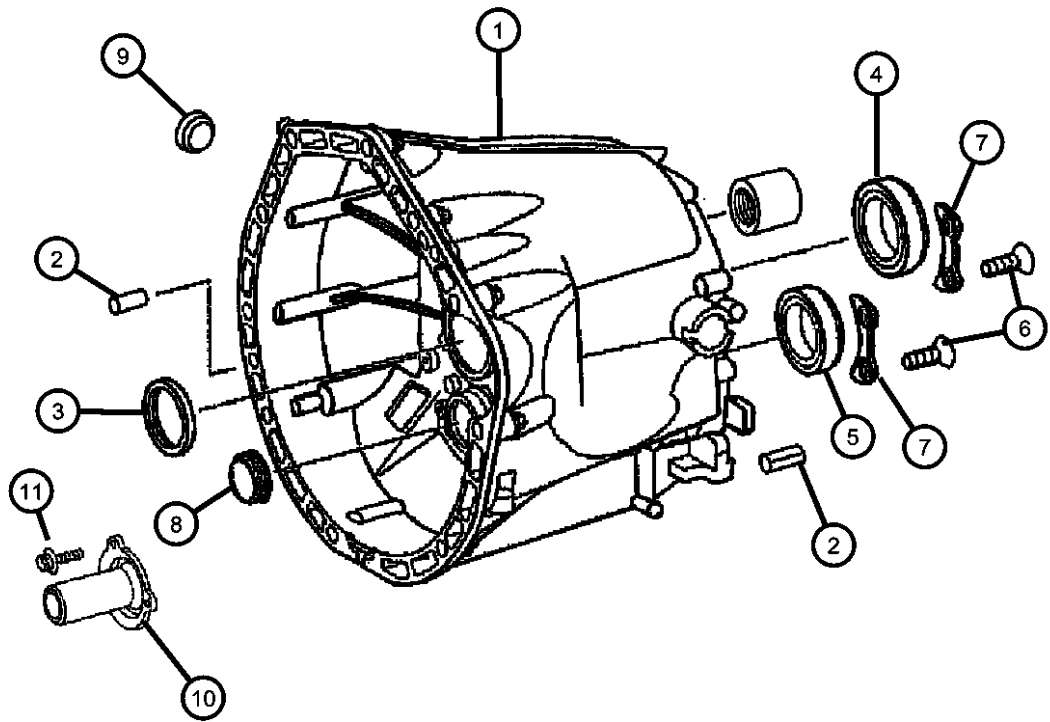
AR = use ase required - = Non illustrated part

2005 KJ



**Front Case and Related Parts [DEH]  
Figure NSG370-210**

ITEM	PART NUMBER	QTY	LINE	SERIES	BODY	ENGINE	TRANS	TRIM	DESCRIPTION
		1	J, U			ED0	DEH		
		1	J, U			EN0	DEH		
6	05096957AA	1	T			EK0	DEH		SCREW
		1	J, U			EK0	DEH		
		1	T			ED0	DEH		
		1	J, U			ED0	DEH		
		1	J, U			EN0	DEH		
7	05099213AA	6	T			EK0	DEH		RETAINER, Bearing
		6	J, U			EK0	DEH		
		6	T			ED0	DEH		
		6	J, U			ED0	DEH		
		6	J, U			EN0	DEH		
8	05096861AA	1	T			EK0	DEH		PLUG, Expansion
		1	J, U			EK0	DEH		
		1	T			ED0	DEH		
		1	J, U			ED0	DEH		
		1	J, U			EN0	DEH		
9	05097712AB	1	T			EK0	DEH		PLUG, Oil Drain
		1	J, U			EK0	DEH		
		1	T			ED0	DEH		
		1	J, U			ED0	DEH		
		1	J, U			EN0	DEH		
10	05159176AA	1	T			EK0	DEH		GUIDE
		1	J, U			EK0	DEH		
		1	T			ED0	DEH		
		1	J, U			ED0	DEH		



**LIBERTY (KJ)**

SERIES      LINE  
P = LIMITED      J = JEEP - 4WD  
H = SPORT      U = JEEP - 4WD (RHD)  
M = RENEGADE      T = JEEP - 2WD

BODY  
74 = SPORT UTILITY 4-DR

ENGINE  
ED1 = Engine - 2.4L 4 Cyl  
DOHC 16v SMPI  
EKG = Engine - 3.7L V6  
ENR = Engine - 2.8L 4 Cyl  
Turbo Diesel  
ENO = 4CYL turbo diesel

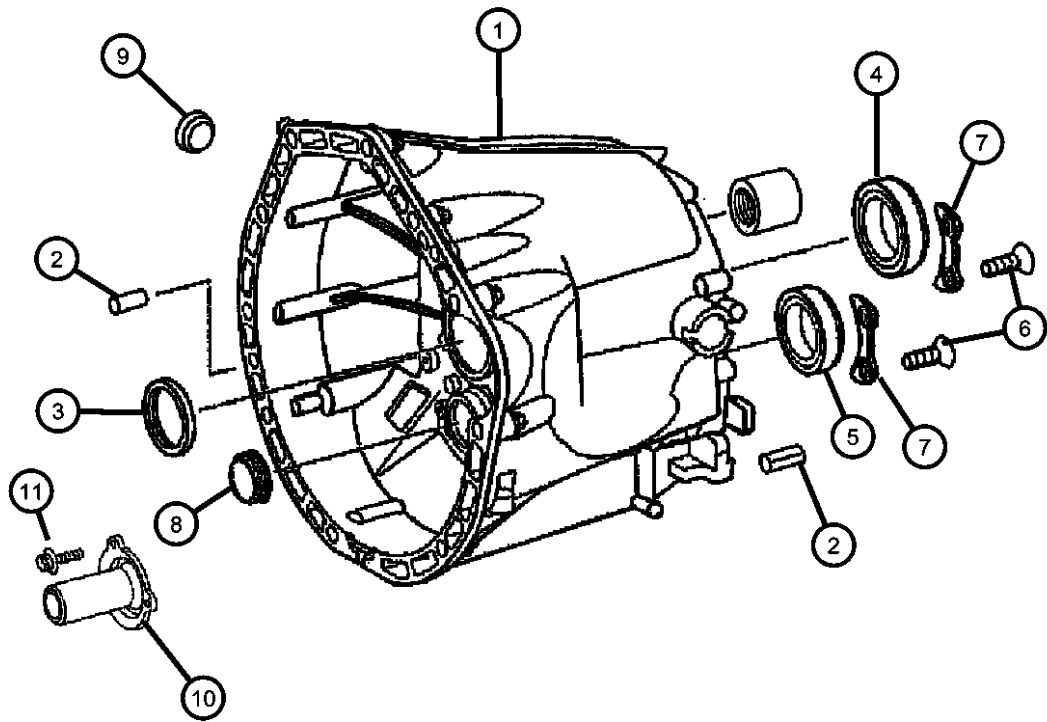
TRANSMISSION  
DGQ = Transmission-5-Spd Automatic  
5-45RFE  
DG6 = Transmission-4-Spd.  
Automatic, 42RLE  
DEH = Transmission-6-Speed Manual,  
NSG370  
DG0 = Transmissions - All Automatic  
DBB = ALL MANUAL  
TRANSMISSIONS

AR = use ase required - = Non illustrated part

2005 KJ

**Front Case and Related Parts [DEH]  
Figure NSG370-210**

ITEM	PART NUMBER	QTY	LINE	SERIES	BODY	ENGINE	TRANS	TRIM	DESCRIPTION
		1	J, U			EN0	DEH		
11	06104005AA	3	T			EK0	DEH		SCREW
		3	J, U			EK0	DEH		
		3	T			ED0	DEH		
		3	J, U			ED0	DEH		
		3	J, U			EN0	DEH		



**LIBERTY (KJ)**

SERIES      LINE  
P = LIMITED    J = JEEP - 4WD  
H = SPORT      U = JEEP - 4WD (RHD)  
M = RENEGADE T = JEEP - 2WD

BODY  
74 = SPORT UTILITY 4-DR

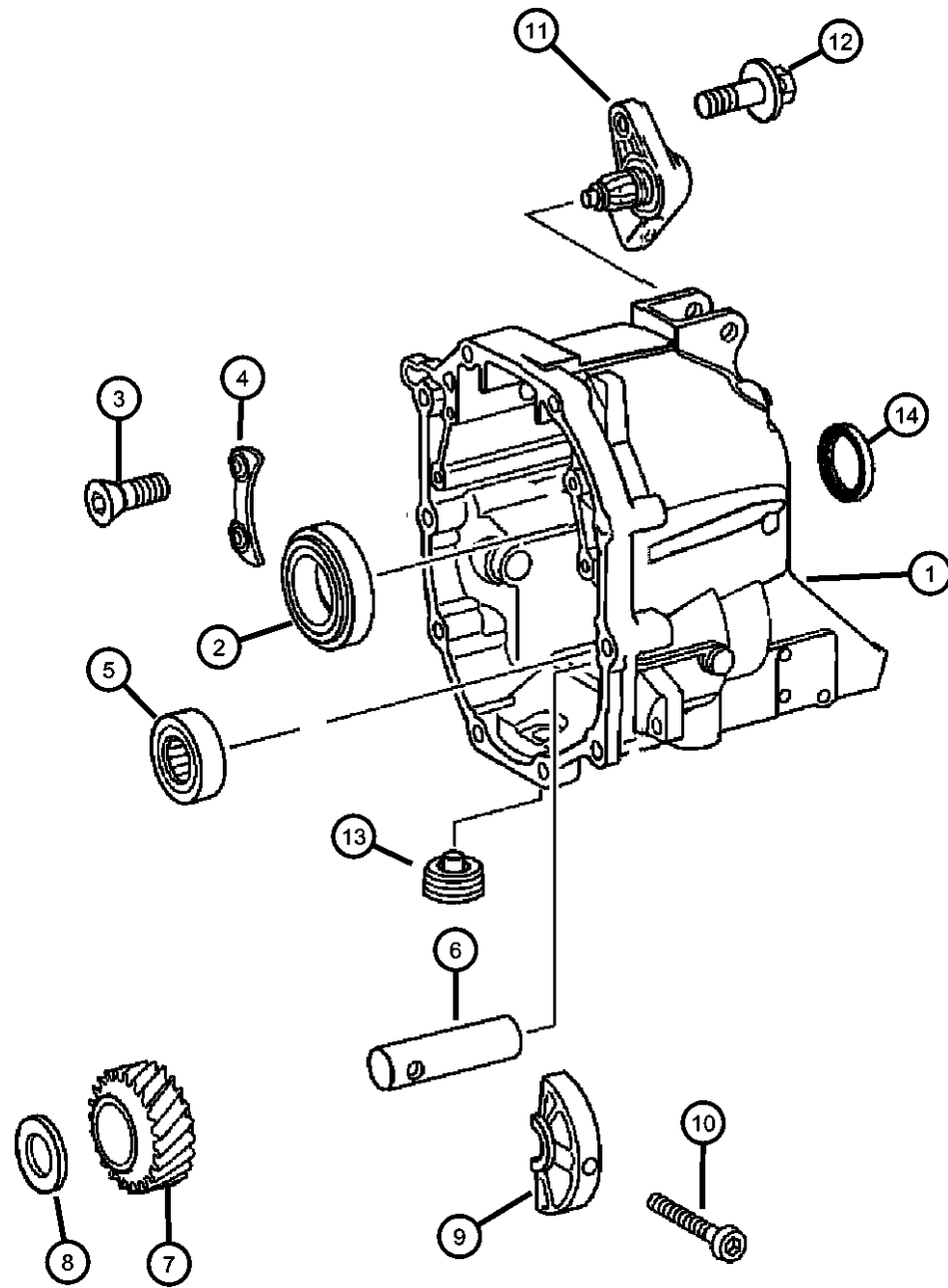
ENGINE  
ED1 = Engine - 2.4L 4 Cyl  
DOHC 16v SMPI  
EKG = Engine - 3.7L V6  
ENR = Engine - 2.8L 4 Cyl  
Turbo Diesel  
ENO = 4CYL turbo diesel

TRANSMISSION  
DGQ = Transmission-5-Spd Automatic  
5-45RFE  
DG6 = Transmission-4-Spd.  
Automatic, 42RLE  
DEH = Transmission-6-Speed Manual,  
NSG370  
DG0 = Transmissions - All Automatic  
DBB = ALL MANUAL  
TRANSMISSIONS

AR = use ase required - = Non illustrated part

2005 KJ

**Rear Case and Related Parts [DEH]  
Figure NSG370-220**



ITEM	PART NUMBER	QTY	LINE	SERIES	BODY	ENGINE	TRANS	TRIM	DESCRIPTION
------	-------------	-----	------	--------	------	--------	-------	------	-------------

NOTE:  
Sales Codes:  
[DEH]=6 Speed Manual Transmission - [NSG370]  
[ED0]=All 2.4L In-Line 4 Cylinder Engines  
[EK0]=All 3.7L V-6 Engines  
[EN0]=All 4/5 Cylinder Turbo Diesel Engines

1									HOUSING, Transmission
	05159137AA	1	T			ED0	DEH		
		1	J, U			ED0	DEH		
		1	J, U			EK0	DEH		
		1	J, U			EN0	DEH		
	05159142AA	1	T			EK0	DEH		
2									BEARING
	05098879AA	2	T			EK0	DEH		
		2	J, U			EK0	DEH		
		2	T			ED0	DEH		
		2	J, U			ED0	DEH		
		1	J, U			EN0	DEH		
3									SCREW
	05096957AA	1	J, U			EN0	DEH		
	05097657AA	1	J, U			ED0	DEH		
		1	J, U			EK0	DEH		
		1	T			ED0	DEH		
		1	T			EK0	DEH		
4									RETAINER, Bearing
	05099213AA	6	T			EK0	DEH		
		6	J, U			EK0	DEH		
		6	T			ED0	DEH		
		6	J, U			ED0	DEH		
		6	J, U			EN0	DEH		
5									BEARING
	05097739AA	1	T			EK0	DEH		
		1	J, U			EK0	DEH		
		1	T			ED0	DEH		

**LIBERTY (KJ)**

SERIES      LINE  
P = LIMITED      J = JEEP - 4WD  
H = SPORT      U = JEEP - 4WD (RHD)  
M = RENEGADE      T = JEEP - 2WD

BODY  
74 = SPORT UTILITY 4-DR

ENGINE  
ED1 = Engine - 2.4L 4 Cyl  
DOHC 16v SMPI  
EKG = Engine - 3.7L V6  
ENR = Engine - 2.8L 4 Cyl  
Turbo Diesel  
ENO = 4CYL turbo diesel

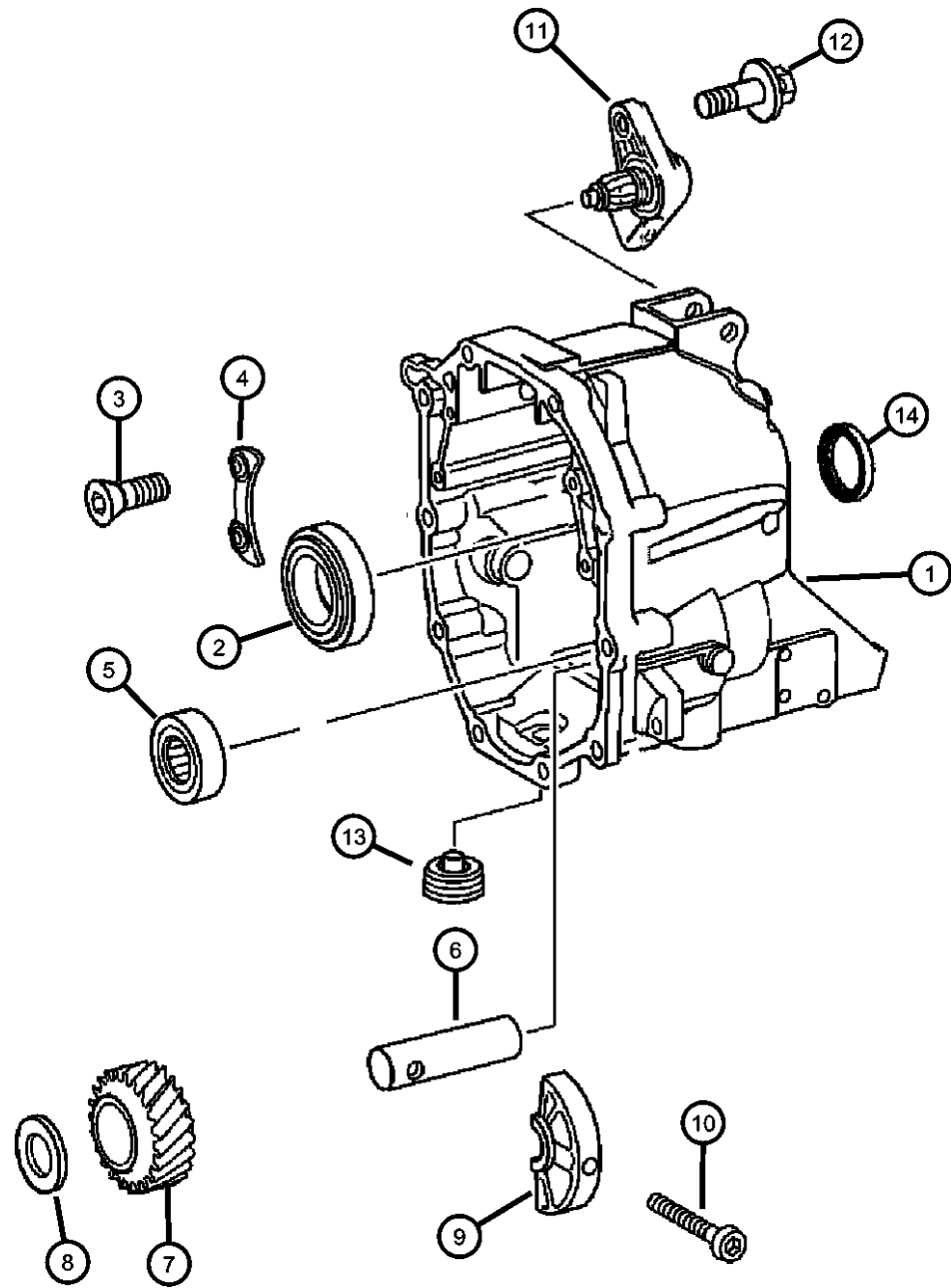
TRANSMISSION  
DGQ = Transmission-5-Spd Automatic  
5-45RFE  
DG6 = Transmission-4-Spd.  
Automatic, 42RLE  
DEH = Transmission-6-Speed Manual,  
NSG370  
DG0 = Transmissions - All Automatic  
DBB = ALL MANUAL  
TRANSMISSIONS

AR = use ase required - = Non illustrated part

2005 KJ



Rear Case and Related Parts [DEH]  
Figure NSG370-220



ITEM	PART NUMBER	QTY	LINE	SERIES	BODY	ENGINE	TRANS	TRIM	DESCRIPTION
6	05098879AA	1	J, U			ED0	DEH		SHAFT
		1	J, U			EN0	DEH		
	05096914AA	1	T			EK0	DEH		
		1	J, U			EK0	DEH		
		1	T			ED0	DEH		
		1	J, U			ED0	DEH		
7		1	J, U			EN0	DEH		GEAR, Reverse
	05096910AA	1	T			EK0	DEH		
		1	J, U			EK0	DEH		
		1	T			ED0	DEH		
		1	J, U			ED0	DEH		
		1	J, U			EN0	DEH		
8		1	J, U			EK0	DEH		WASHER, Thrust
	05159168AA	1	J, U			ED0	DEH		
		1	J, U			ED0	DEH		
		1	J, U			EN0	DEH		
		1	J, U			EK0	DEH		
		1	J, U			ED0	DEH		
9		1	J, U			EK0	DEH		BEARING
	05101037AA	1	T			ED0	DEH		
		1	J, U			ED0	DEH		
		1	T			EK0	DEH		
		1	J, U			EN0	DEH		
		1	J, U			EK0	DEH		
10		1	J, U			EK0	DEH		SCREW
	05096957AA	1	T			EK0	DEH		
		1	J, U			EK0	DEH		
		1	T			ED0	DEH		
		1	J, U			ED0	DEH		
		1	J, U			EN0	DEH		
11									SWITCH, Back Up Lamp

LIBERTY (KJ)

SERIES LINE  
P = LIMITED J = JEEP - 4WD  
H = SPORT U = JEEP - 4WD (RHD)  
M = RENEGADE T = JEEP - 2WD

BODY  
74 = SPORT UTILITY 4-DR

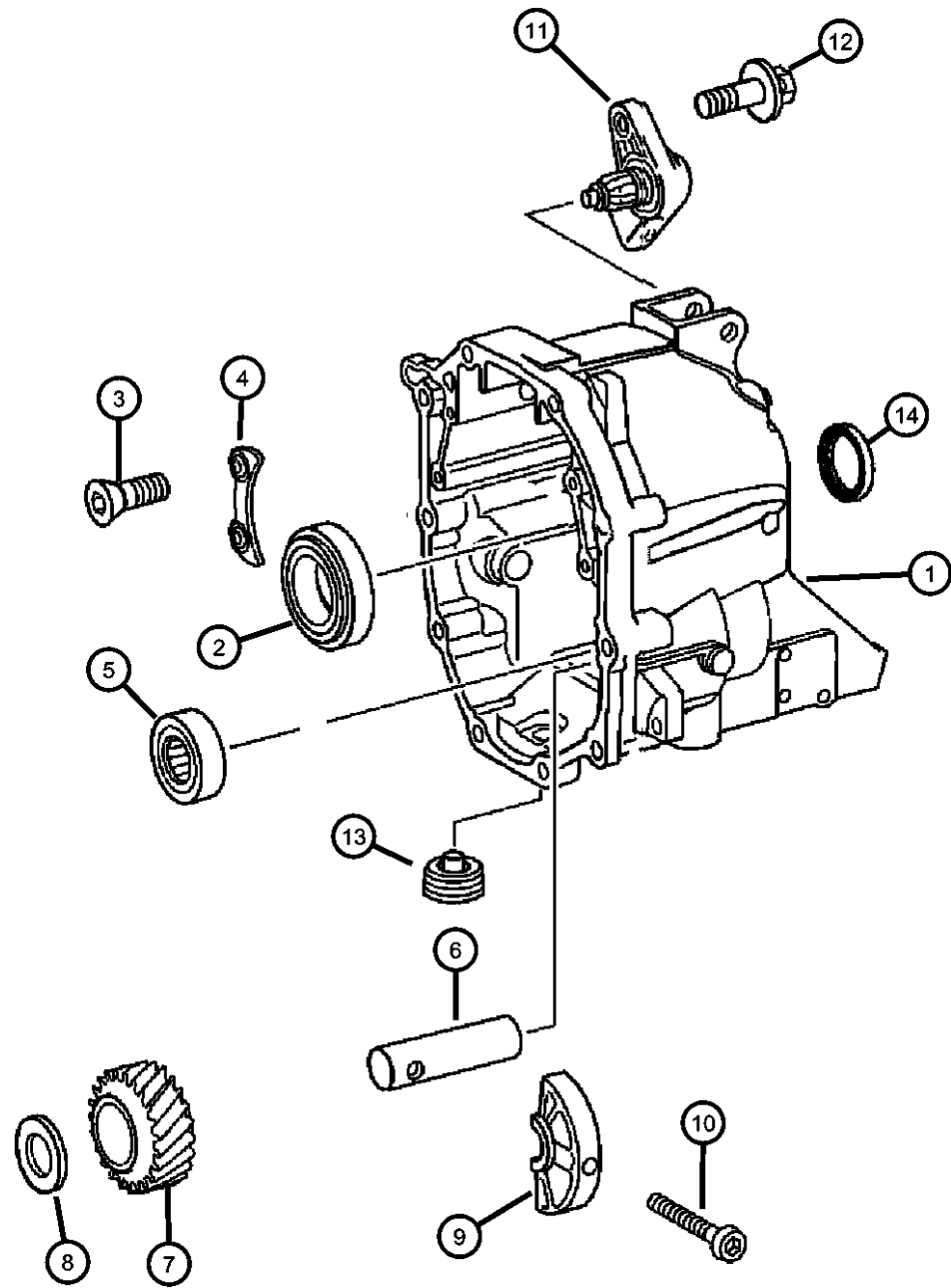
ENGINE  
ED1 = Engine - 2.4L 4 Cyl  
DOHC 16v SMPI  
EKG = Engine - 3.7L V6  
ENR = Engine - 2.8L 4 Cyl  
Turbo Diesel  
ENO = 4CYL turbo diesel

TRANSMISSION  
DGQ = Transmission-5-Spd Automatic  
5-45RFE  
DG6 = Transmission-4-Spd.  
Automatic, 42RLE  
DEH = Transmission-6-Speed Manual,  
NSG370  
DG0 = Transmissions - All Automatic  
DBB = ALL MANUAL  
TRANSMISSIONS

AR = use ase required - = Non illustrated part

2005 KJ

Rear Case and Related Parts [DEH]  
Figure NSG370-220



ITEM	PART NUMBER	QTY	LINE	SERIES	BODY	ENGINE	TRANS	TRIM	DESCRIPTION
	05099770AA	1	T			EK0	DEH		
		1	J, U			EK0	DEH		
		1	T			ED0	DEH		
		1	J, U			ED0	DEH		
		1	J, U			EN0	DEH		
12	06104006AA	1	T			EK0	DEH		BOLT
		1	J, U			EK0	DEH		
		1	T			ED0	DEH		
		1	J, U			ED0	DEH		
		1	J, U			EN0	DEH		
13	05134266AA	1	T			EK0	DEH		PLUG, Oil Drain
		1	J, U			EK0	DEH		
		1	T			ED0	DEH		
		1	U, J			ED0	DEH		
		1	J, U			EN0	DEH		
14	05159175AA	1	J, U			EK0	DEH		SEAL
		1	J, U			ED0	DEH		
		1	J, U			EN0	DEH		
-15	05159172AA	1	T			EK0	DEH		FLANGE, Drive Shaft
		1	T			ED0	DEH		
-16	06104237AA	1	T			EK0	DEH		BOLT Flange To Output Shaft
		1	T			ED0	DEH		Flange To Output Shaft
-17	05161073AA	1	T			EK0	DEH		WASHER Use Along With Screw For Flange
		1	T			ED0	DEH		Use Along With Screw For Flange

LIBERTY (KJ)

SERIES LINE  
P = LIMITED J = JEEP - 4WD  
H = SPORT U = JEEP - 4WD (RHD)  
M = RENEGADE T = JEEP - 2WD

BODY  
74 = SPORT UTILITY 4-DR

ENGINE  
ED1 = Engine - 2.4L 4 Cyl  
DOHC 16v SMPI  
EKG = Engine - 3.7L V6  
ENR = Engine - 2.8L 4 Cyl  
Turbo Diesel  
ENO = 4CYL turbo diesel

TRANSMISSION  
DGQ = Transmission-5-Spd Automatic  
5-45RFE  
DG6 = Transmission-4-Spd.  
Automatic, 42RLE  
DEH = Transmission-6-Speed Manual,  
NSG370  
DG0 = Transmissions - All Automatic  
DBB = ALL MANUAL  
TRANSMISSIONS

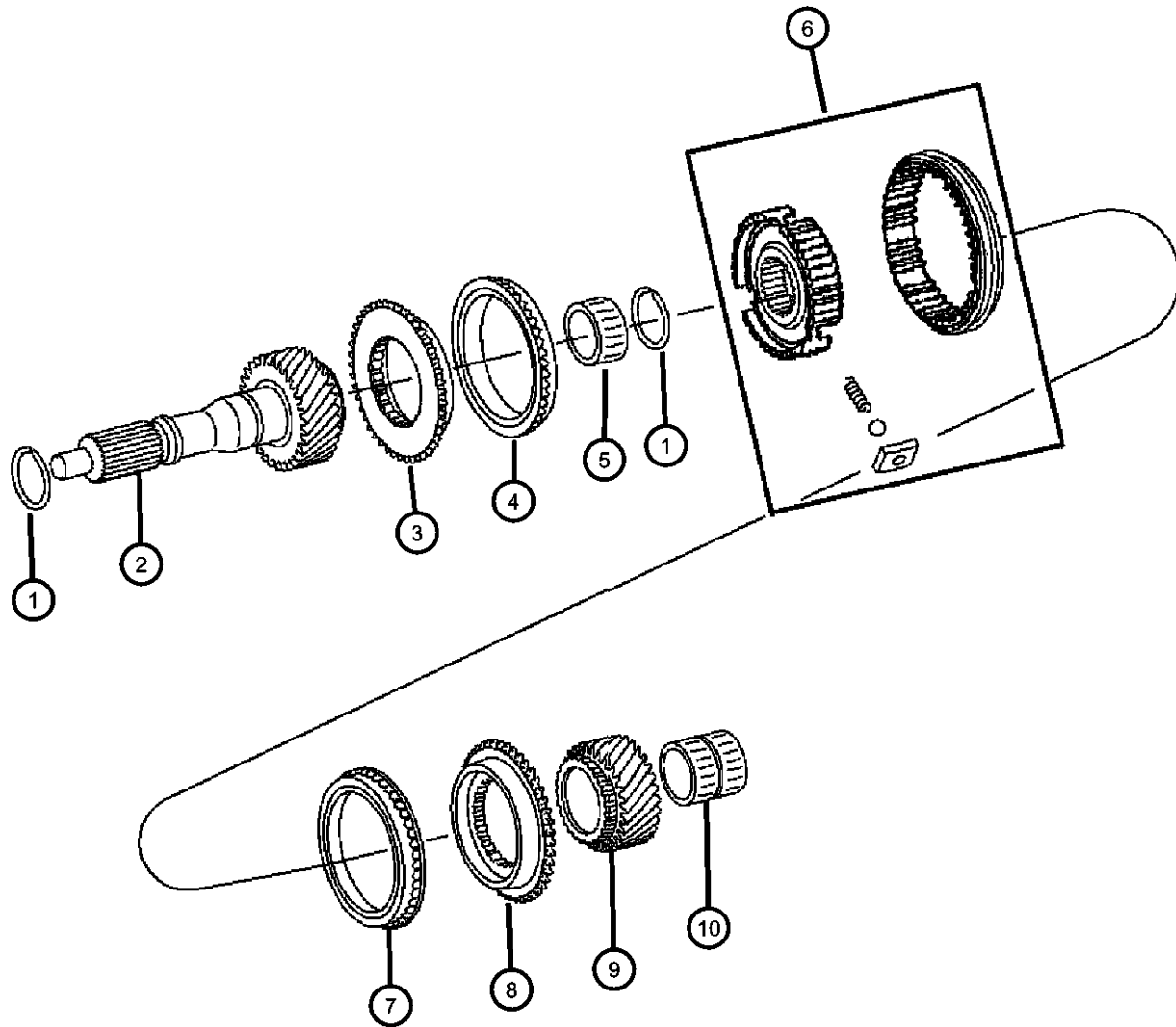
AR = use ase required - = Non illustrated part

2005 KJ

**Input Shaft [DEH]  
Figure NSG370-410**

ITEM	PART NUMBER	QTY	LINE	SERIES	BODY	ENGINE	TRANS	TRIM	DESCRIPTION
------	-------------	-----	------	--------	------	--------	-------	------	-------------

NOTE:  
Sales Codes:  
[DEH]=6 Speed Manual Transmission - [NSG370]  
[ED0]=All 2.4L In-Line 4 Cylinder Engines  
[EK0]=All 3.7L V-6 Engines  
[EN0]=All 4/5 Cylinder Turbo Diesel Engines



1									RING, Snap
	05099216AA	1	J, U			EN0	DEH		[1.75MM]
	05099217AA	1	J, U			EK0	DEH		[1.80MM]
		1	J, U			ED0	DEH		[1.80MM]
		1	J, U			EN0	DEH		[1.80MM]
	05099218AA	1	J, U			EK0	DEH		[1.85MM]
		1	J, U			ED0	DEH		[1.85MM]
	05099215AA	1	J, U			EK0	DEH		[1.70MM]
		1	J, U			ED0	DEH		[1.70MM]
		1	J, U			EN0	DEH		[1.70MM]
		1	J, U			EK0	DEH		[1.75MM]
		1	J, U			ED0	DEH		[1.75MM]
		1	J, U			EN0	DEH		[1.85MM]
	05099219AA	1	J, U			EK0	DEH		[1.90MM]
		1	J, U			ED0	DEH		[1.90MM]
		1	J, U			EN0	DEH		[1.90MM]
	05099220AA	1	J, U			EK0	DEH		[1.95MM]
	05099221AA	1	J, U			ED0	DEH		[2.00MM]
		1	J, U			ED0	DEH		[1.95MM]
		1	J, U			EN0	DEH		[1.95MM]
		1	J, U			EK0	DEH		[2.00MM]
		1	J, U			EN0	DEH		[2.00MM]
	05099222AA	1	J, U			EK0	DEH		[2.05MM]
		1	J, U			ED0	DEH		[2.05MM]
		1	J, U			EN0	DEH		[2.05MM]
2									SHAFT, Input
	05159171AA	1	T			EK0	DEH		
		1	J, U			EK0	DEH		

**LIBERTY (KJ)**

SERIES      LINE  
P = LIMITED      J = JEEP - 4WD  
H = SPORT      U = JEEP - 4WD (RHD)  
M = RENEGADE      T = JEEP - 2WD

BODY  
74 = SPORT UTILITY 4-DR

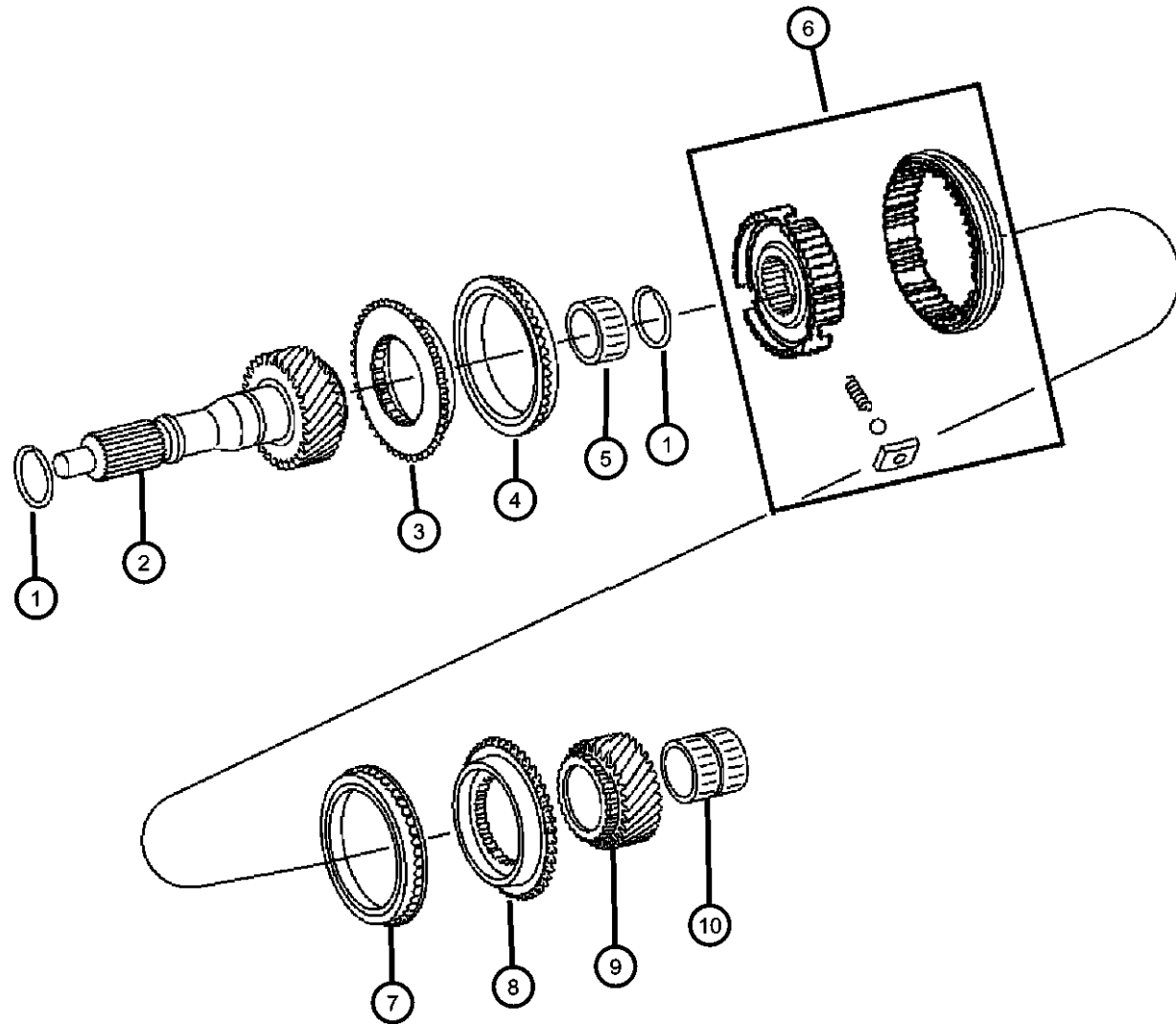
ENGINE  
ED1 = Engine - 2.4L 4 Cyl  
DOHC 16v SMPI  
EKG = Engine - 3.7L V6  
ENR = Engine - 2.8L 4 Cyl  
Turbo Diesel  
ENO = 4CYL turbo diesel

TRANSMISSION  
DGQ = Transmission-5-Spd Automatic  
5-45RFE  
DG6 = Transmission-4-Spd.  
Automatic, 42RLE  
DEH = Transmission-6-Speed Manual,  
NSG370  
DG0 = Transmissions - All Automatic  
DBB = ALL MANUAL  
TRANSMISSIONS

AR = use ase required - = Non illustrated part

2005 KJ

Input Shaft [DEH]  
Figure NSG370-410



ITEM	PART NUMBER	QTY	LINE	SERIES	BODY	ENGINE	TRANS	TRIM	DESCRIPTION
		1	T			ED0	DEH		
		1	J, U			ED0	DEH		
		1	J, U			EN0	DEH		
3									STOP RING, Synchronizer
	05099265AA	2	T			EK0	DEH		
		2	J, U			EK0	DEH		
		2	T			ED0	DEH		
		2	J, U			ED0	DEH		
		2	J, U			EN0	DEH		
4									RING, RING-SYNCHRONIZER
	05098736AA	2	J, U			ED0	DEH		
		2	J, U			EN0	DEH		
		2	T			EK0	DEH		
		2	J, U			EK0	DEH		
		2	T			ED0	DEH		
5									BEARING, Needle
	05096457AA	1	T			EK0	DEH		
		1	J, U			EK0	DEH		
		1	T			ED0	DEH		
		1	J, U			ED0	DEH		
		1	J, U			EN0	DEH		
6									SYNCHRONIZER, Fifth and Sixth
	05161006AA	1	J, U			EN0	DEH		
		1	T			EK0	DEH		
		1	T			ED0	DEH		
		1	U, J			ED0	DEH		
		1	J, U			EK0	DEH		
7									RING, RING-SYNCHRONIZER
	05098736AA	2	T			EK0	DEH		
		2	J, U			EK0	DEH		
		2	T			ED0	DEH		

LIBERTY (KJ)

SERIES LINE  
P = LIMITED J = JEEP - 4WD  
H = SPORT U = JEEP - 4WD (RHD)  
M = RENEGADE T = JEEP - 2WD

BODY  
74 = SPORT UTILITY 4-DR

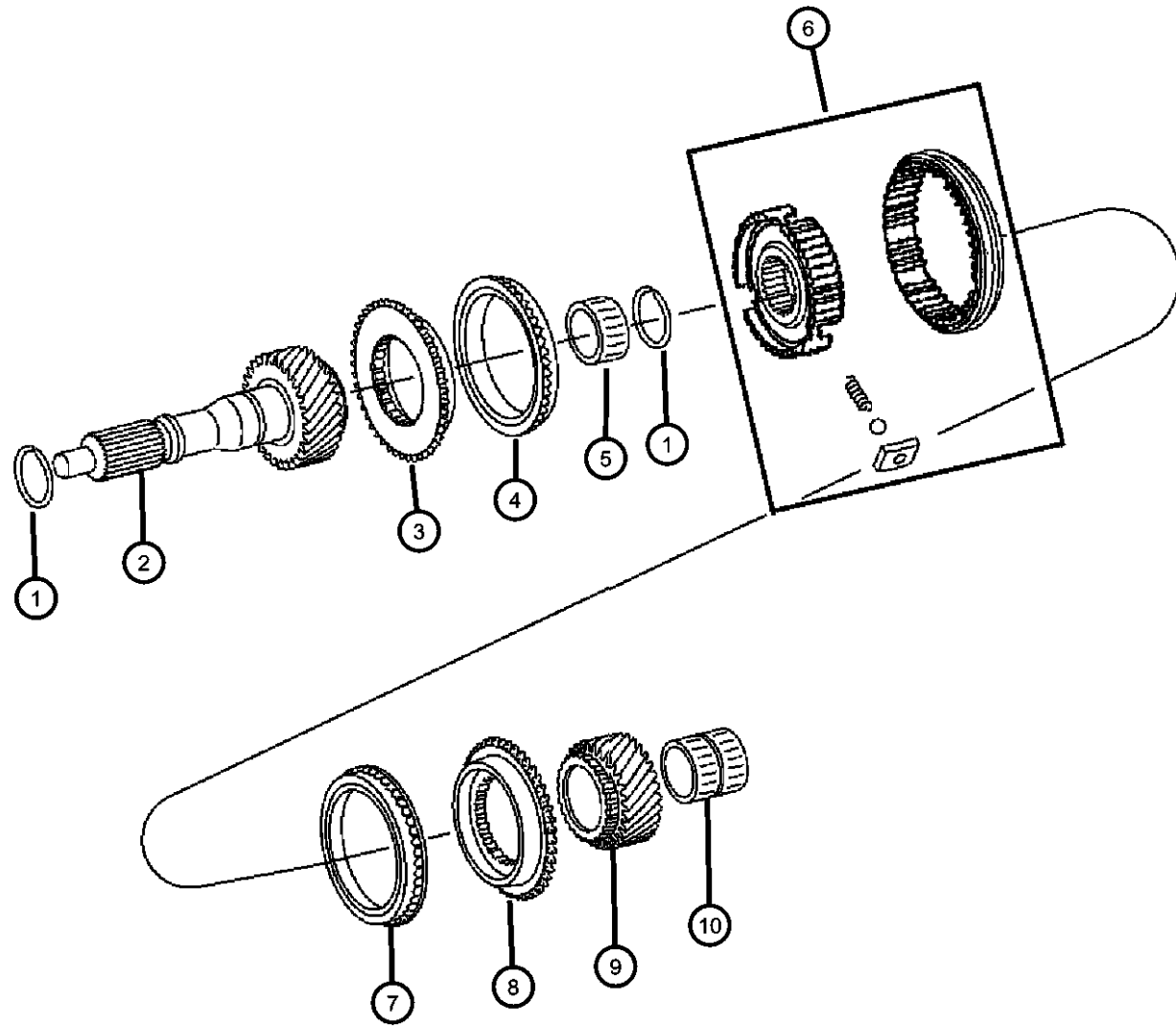
ENGINE  
ED1 = Engine - 2.4L 4 Cyl  
DOHC 16v SMPI  
EKG = Engine - 3.7L V6  
ENR = Engine - 2.8L 4 Cyl  
Turbo Diesel  
ENO = 4CYL turbo diesel

TRANSMISSION  
DGQ = Transmission-5-Spd Automatic  
5-45RFE  
DG6 = Transmission-4-Spd.  
Automatic, 42RLE  
DEH = Transmission-6-Speed Manual,  
NSG370  
DG0 = Transmissions - All Automatic  
DBB = ALL MANUAL  
TRANSMISSIONS

AR = use ase required - = Non illustrated part

2005 KJ

Input Shaft [DEH]  
Figure NSG370-410



ITEM	PART NUMBER	QTY	LINE	SERIES	BODY	ENGINE	TRANS	TRIM	DESCRIPTION
		2	J, U			ED0	DEH		
		2	J, U			EN0	DEH		
8									STOP RING, Synchronizer
	05099265AA	2	T			EK0	DEH		
		2	J, U			EK0	DEH		
		2	T			ED0	DEH		
		2	J, U			ED0	DEH		
		2	J, U			EN0	DEH		
9									GEAR, Sixth
	05099794AA	1	T			EK0	DEH		
		1	J, U			EK0	DEH		
		1	T			ED0	DEH		
		1	J, U			ED0	DEH		
		1	J, U			EN0	DEH		
10									BEARING, Needle
	05096456AA	1	T			EK0	DEH		
		1	J, U			EK0	DEH		
		1	T			ED0	DEH		
		1	J, U			ED0	DEH		
		1	J, U			EN0	DEH		

LIBERTY (KJ)

SERIES LINE  
P = LIMITED J = JEEP - 4WD  
H = SPORT U = JEEP - 4WD (RHD)  
M = RENEGADE T = JEEP - 2WD

BODY  
74 = SPORT UTILITY 4-DR

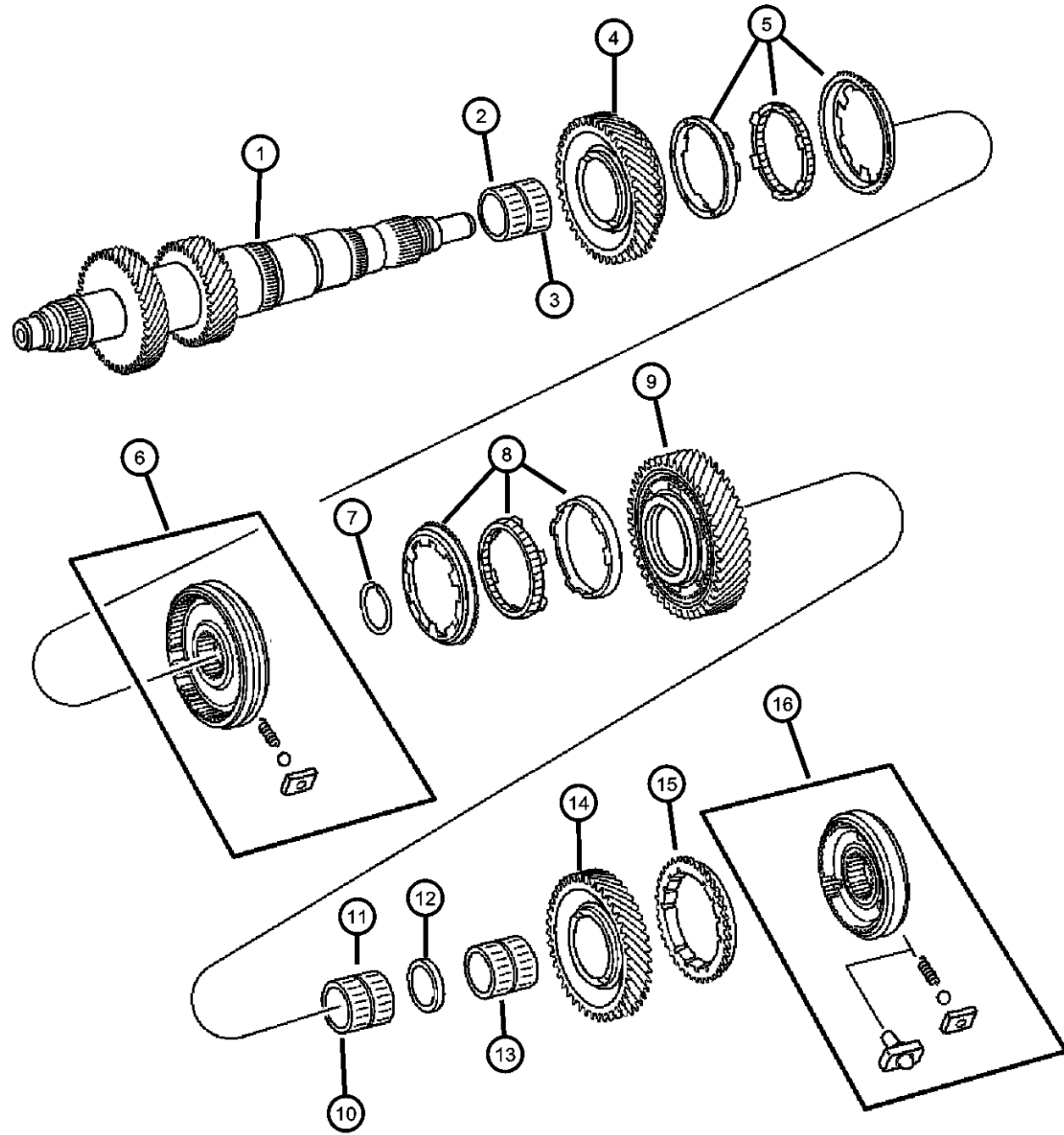
ENGINE  
ED1 = Engine - 2.4L 4 Cyl  
DOHC 16v SMPI  
EKG = Engine - 3.7L V6  
ENR = Engine - 2.8L 4 Cyl  
Turbo Diesel  
ENO = 4CYL turbo diesel

TRANSMISSION  
DGQ = Transmission-5-Spd Automatic  
5-45RFE  
DG6 = Transmission-4-Spd.  
Automatic, 42RLE  
DEH = Transmission-6-Speed Manual,  
NSG370  
DG0 = Transmissions - All Automatic  
DBB = ALL MANUAL  
TRANSMISSIONS

AR = use ase required - = Non illustrated part

2005 KJ

**Main Shaft [DEH]  
Figure NSG370-420**



ITEM	PART NUMBER	QTY	LINE	SERIES	BODY	ENGINE	TRANS	TRIM	DESCRIPTION
NOTE: Sales Codes: [DEH]=6 Speed Manual Transmission - [NSG370] [ED0]=All 2.4L In-Line 4 Cylinder Engines [EK0]=All 3.7L V-6 Engines [EN0]=All 4/5 Cylinder Turbo Diesel Engines									
1	05159163AA	1	J, U			EK0	DEH		MAINSHAFT, Transmission
		1	J, U			ED0	DEH		
		1	J, U			EN0	DEH		
	05159164AA	1	T			EK0	DEH		
		1	T			ED0	DEH		
2	05096453AA	1	T			EK0	DEH		BEARING
		1	J, U			EK0	DEH		
		1	T			ED0	DEH		
		1	J, U			ED0	DEH		
		1	J, U			EN0	DEH		
3	05096453AA	1	T			EK0	DEH		BEARING
		1	J, U			EK0	DEH		
		1	T			ED0	DEH		
		1	J, U			ED0	DEH		
		1	J, U			EN0	DEH		
4	05101448AA	1	J, U			ED0	DEH		GEAR, Second
		1	J, U			EN0	DEH		
		1	T			EK0	DEH		
		1	J, U			EK0	DEH		
		1	T			ED0	DEH		
5	05099259AA	2	T			EK0	DEH		SYNCHRONIZER, Second Gear
		2	J, U			EK0	DEH		
		2	T			ED0	DEH		

**LIBERTY (KJ)**

SERIES LINE  
P = LIMITED J = JEEP - 4WD  
H = SPORT U = JEEP - 4WD (RHD)  
M = RENEGADE T = JEEP - 2WD

BODY  
74 = SPORT UTILITY 4-DR

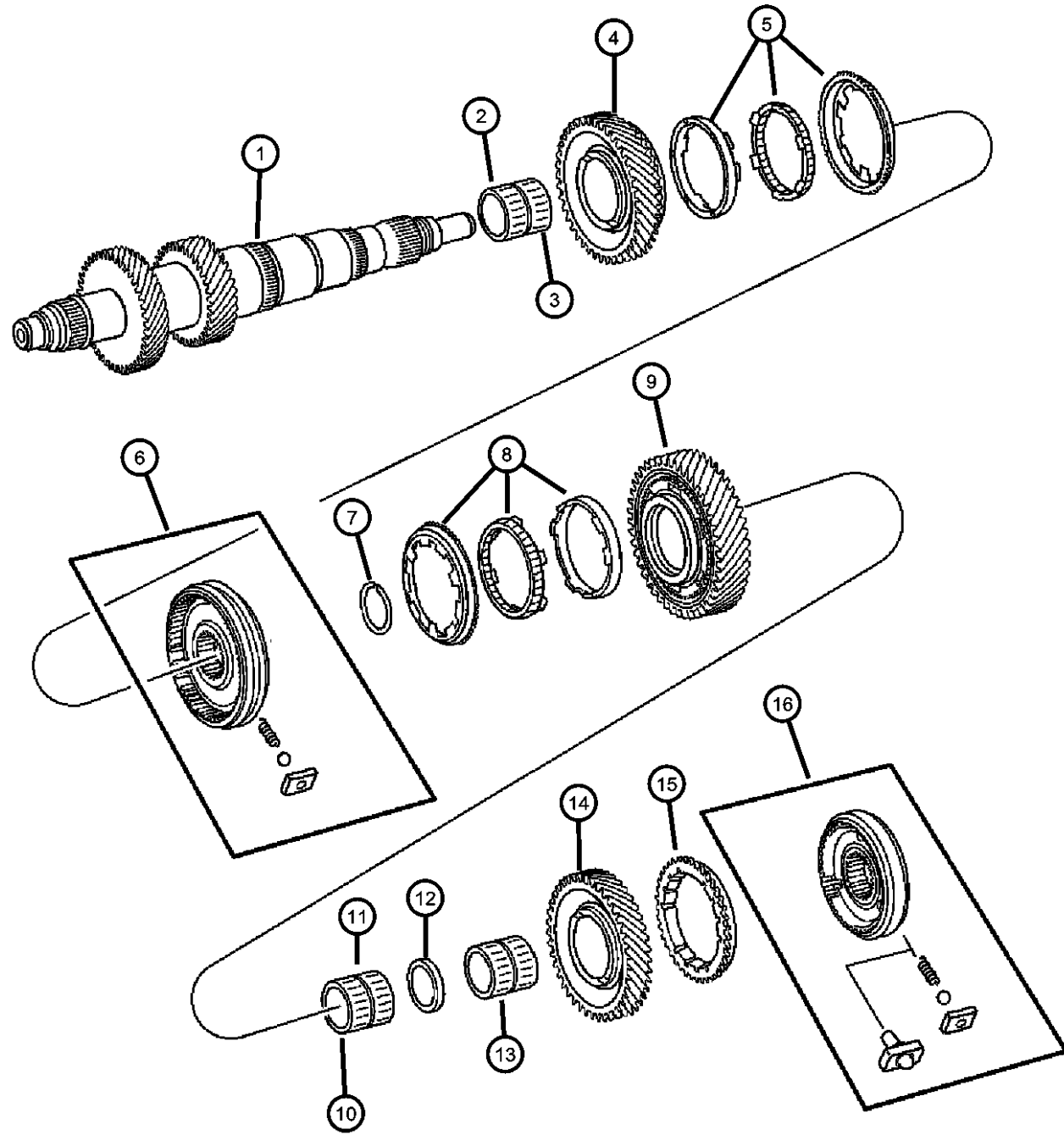
ENGINE  
ED1 = Engine - 2.4L 4 Cyl  
DOHC 16v SMPI  
EK0 = Engine - 3.7L V6  
ENR = Engine - 2.8L 4 Cyl  
Turbo Diesel  
ENO = 4CYL turbo diesel

TRANSMISSION  
DGQ = Transmission-5-Spd Automatic  
5-45RFE  
DG6 = Transmission-4-Spd.  
Automatic, 42RLE  
DEH = Transmission-6-Speed Manual,  
NSG370  
DG0 = Transmissions - All Automatic  
DBB = ALL MANUAL  
TRANSMISSIONS

AR = use ase required - = Non illustrated part

2005 KJ

**Main Shaft [DEH]  
Figure NSG370-420**



ITEM	PART NUMBER	QTY	LINE	SERIES	BODY	ENGINE	TRANS	TRIM	DESCRIPTION
		2	J, U			ED0	DEH		
		2	J, U			EN0	DEH		
6	05161004AA	1	J, U			EN0	DEH		SYNCHRONIZER, First and Second
7	05161004AA	1							SNAP RING, (NOT SERVICED)
8									SYNCHRONIZER, Second Gear
	05099259AA	2	T			EK0	DEH		
		2	J, U			EK0	DEH		
		2	T			ED0	DEH		
		2	J, U			ED0	DEH		
9									GEAR, First
	05101449AA	1	T			EK0	DEH		
		1	J, U			EK0	DEH		
		1	T			ED0	DEH		
		1	J, U			ED0	DEH		
		1	J, U			EN0	DEH		
10									BEARING, Needle
	05096452AA	1	T			EK0	DEH		
		1	J, U			EK0	DEH		
		1	T			ED0	DEH		
		1	J, U			ED0	DEH		
		1	J, U			EN0	DEH		
11									BEARING, Needle
	05096452AA	1	T			EK0	DEH		
		1	J, U			EK0	DEH		
		1	T			ED0	DEH		
		1	J, U			ED0	DEH		
		1	J, U			EN0	DEH		
12									WASHER, Thrust
	05103254AA	1	T			EK0	DEH		
		1	T			ED0	DEH		
	05159168AA	1	J, U			EK0	DEH		

**LIBERTY (KJ)**

SERIES      LINE  
P = LIMITED      J = JEEP - 4WD  
H = SPORT      U = JEEP - 4WD (RHD)  
M = RENEGADE      T = JEEP - 2WD

BODY  
74 = SPORT UTILITY 4-DR

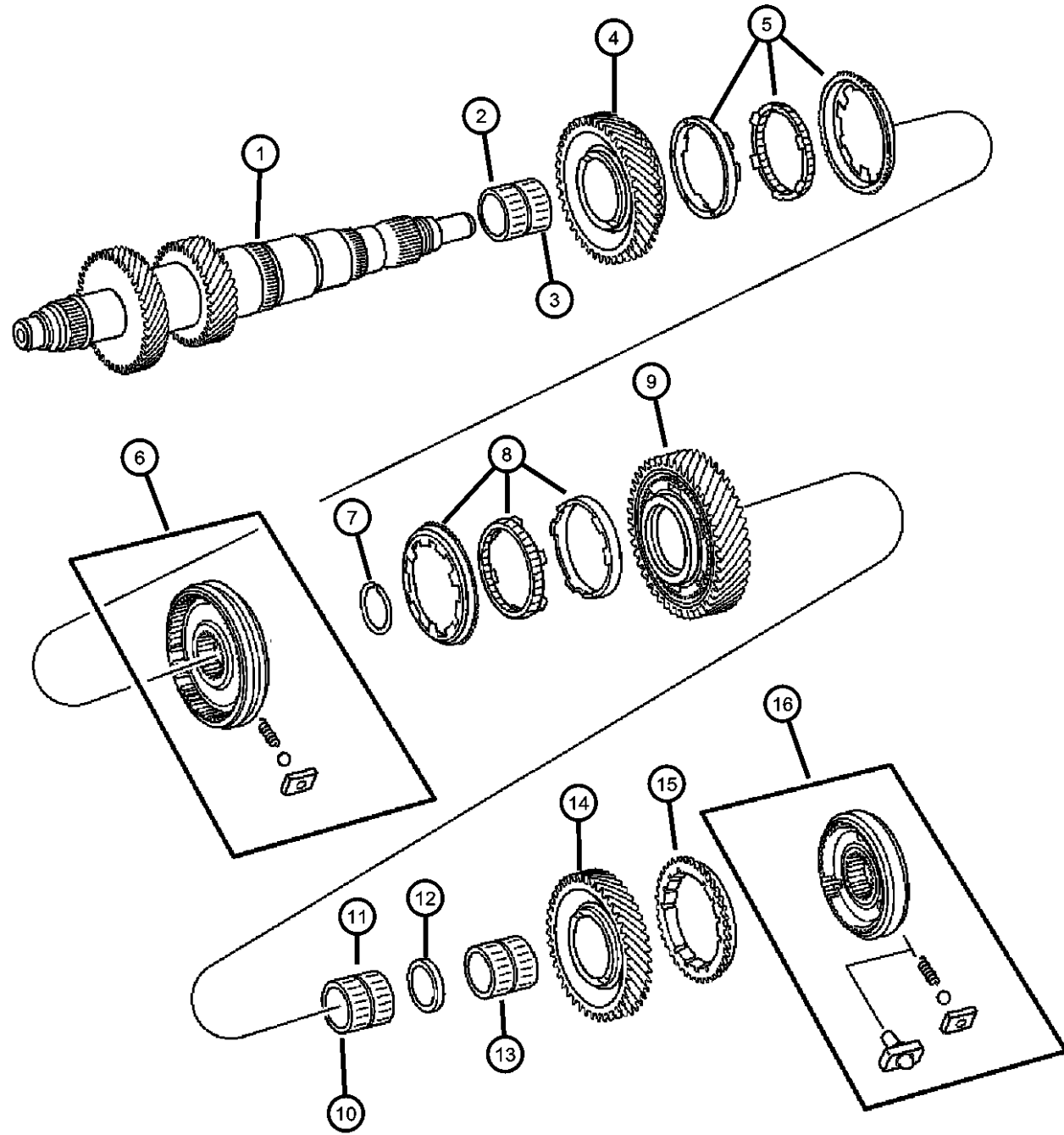
ENGINE  
ED1 = Engine - 2.4L 4 Cyl  
DOHC 16v SMPI  
EKG = Engine - 3.7L V6  
ENR = Engine - 2.8L 4 Cyl  
Turbo Diesel  
ENO = 4CYL turbo diesel

TRANSMISSION  
DGQ = Transmission-5-Spd Automatic  
5-45RFE  
DG6 = Transmission-4-Spd.  
Automatic, 42RLE  
DEH = Transmission-6-Speed Manual,  
NSG370  
DG0 = Transmissions - All Automatic  
DBB = ALL MANUAL  
TRANSMISSIONS

AR = use ase required - = Non illustrated part

2005 KJ

**Main Shaft [DEH]  
Figure NSG370-420**



ITEM	PART NUMBER	QTY	LINE	SERIES	BODY	ENGINE	TRANS	TRIM	DESCRIPTION
		1	J, U			ED0	DEH		
		1	J, U			EN0	DEH		
13	05096359AA	1	J, U			ED0	DEH		BEARING, Needle
		1	J, U			EN0	DEH		
		1	T			EK0	DEH		
		1	J, U			EK0	DEH		
		1	T			ED0	DEH		
14	05134496AA	1	T			EK0	DEH		GEAR, Reverse
		1	J, U			EK0	DEH		
		1	T			ED0	DEH		
		1	J, U			ED0	DEH		
		1	J, U			EN0	DEH		
15	05134500AA	1	T			EK0	DEH		RING, RING-SYNCHRONIZER
		1	J, U			EK0	DEH		
		1	T			ED0	DEH		
		1	J, U			ED0	DEH		
		1	J, U			EN0	DEH		
16	05161005AA	1	T			EK0	DEH		SYNCHRONIZER, Reverse
		1	J, U			EK0	DEH		
		1	T			ED0	DEH		
		1	J, U			ED0	DEH		
		1	J, U			EN0	DEH		

**LIBERTY (KJ)**

SERIES LINE  
P = LIMITED J = JEEP - 4WD  
H = SPORT U = JEEP - 4WD (RHD)  
M = RENEGADE T = JEEP - 2WD

BODY  
74 = SPORT UTILITY 4-DR

ENGINE  
ED1 = Engine - 2.4L 4 Cyl  
DOHC 16v SMPI  
EKG = Engine - 3.7L V6  
ENR = Engine - 2.8L 4 Cyl  
Turbo Diesel  
ENO = 4CYL turbo diesel

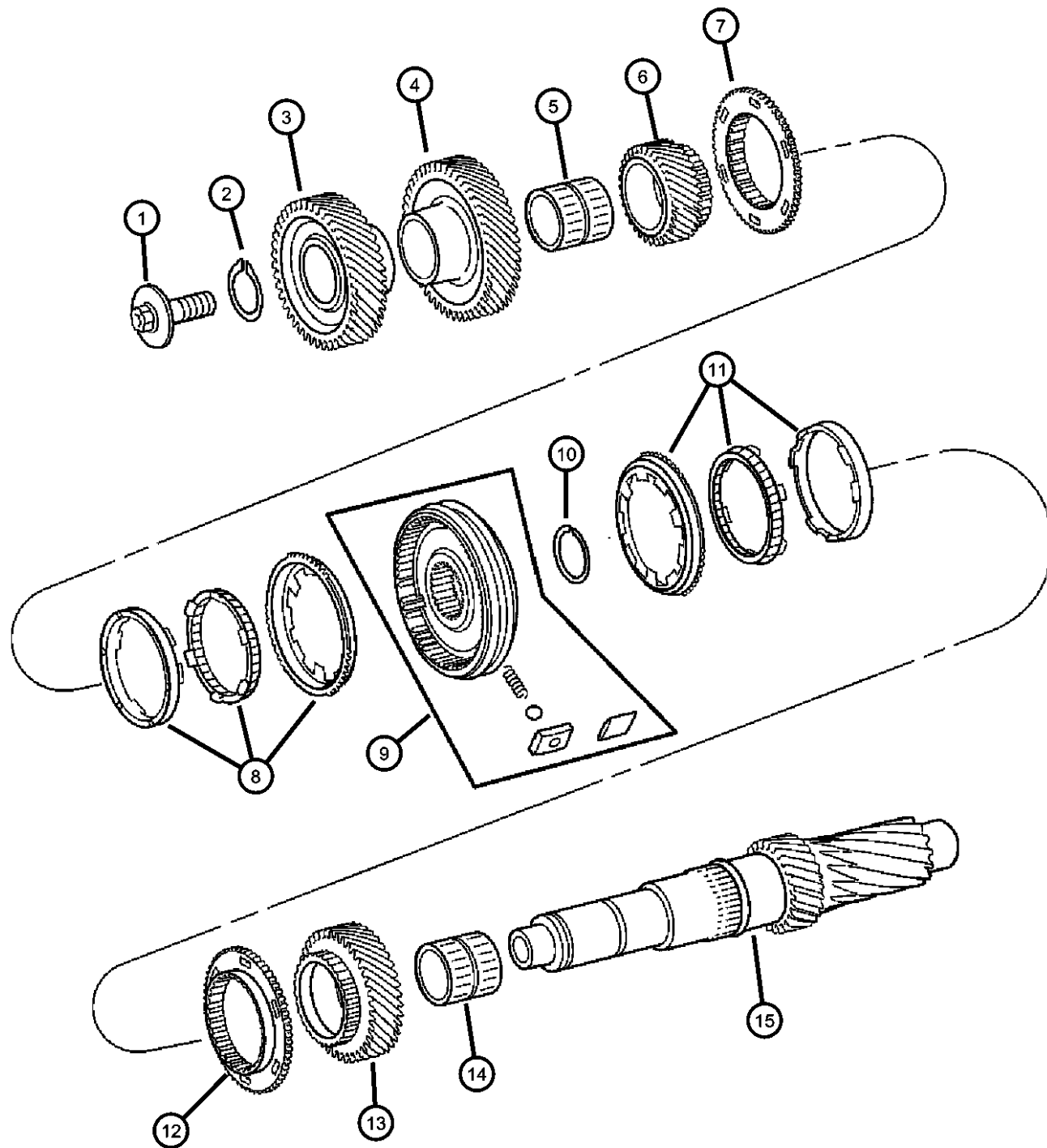
TRANSMISSION  
DGQ = Transmission-5-Spd Automatic  
5-45RFE  
DG6 = Transmission-4-Spd.  
Automatic, 42RLE  
DEH = Transmission-6-Speed Manual,  
NSG370  
DG0 = Transmissions - All Automatic  
DBB = ALL MANUAL  
TRANSMISSIONS

AR = use ase required - = Non illustrated part

2005 KJ



**Countershaft  
Figure NSG370-430**



ITEM	PART NUMBER	QTY	LINE	SERIES	BODY	ENGINE	TRANS	TRIM	DESCRIPTION
1	05098084AA	1	T			EK0	DEH		SCREW
		1	J, U			EK0	DEH		
		1	T			ED0	DEH		
		1	J, U			ED0	DEH		
		1	J, U			EN0	DEH		
2	05099268AA	1	T			EK0	DEH		SNAP RING
		1	J, U			EK0	DEH		
		1	T			ED0	DEH		
		1	J, U			ED0	DEH		
		1	J, U			EN0	DEH		
3	05096911AA	1	T			EK0	DEH		GEAR, Countershaft
		1	J, U			EK0	DEH		
		1	T			ED0	DEH		
		1	J, U			ED0	DEH		
		1	J, U			EN0	DEH		
4	05099795AA	1	T			EK0	DEH		GEAR, Sixth
		1	J, U			EK0	DEH		
		1	T			ED0	DEH		
		1	J, U			ED0	DEH		
		1	J, U			EN0	DEH		
5	05096454AA	1	T			EK0	DEH		BEARING, Needle
		1	J, U			EK0	DEH		
		1	T			ED0	DEH		

**LIBERTY (KJ)**

SERIES      LINE  
P = LIMITED      J = JEEP - 4WD  
H = SPORT      U = JEEP - 4WD (RHD)  
M = RENEGADE      T = JEEP - 2WD

BODY  
74 = SPORT UTILITY 4-DR

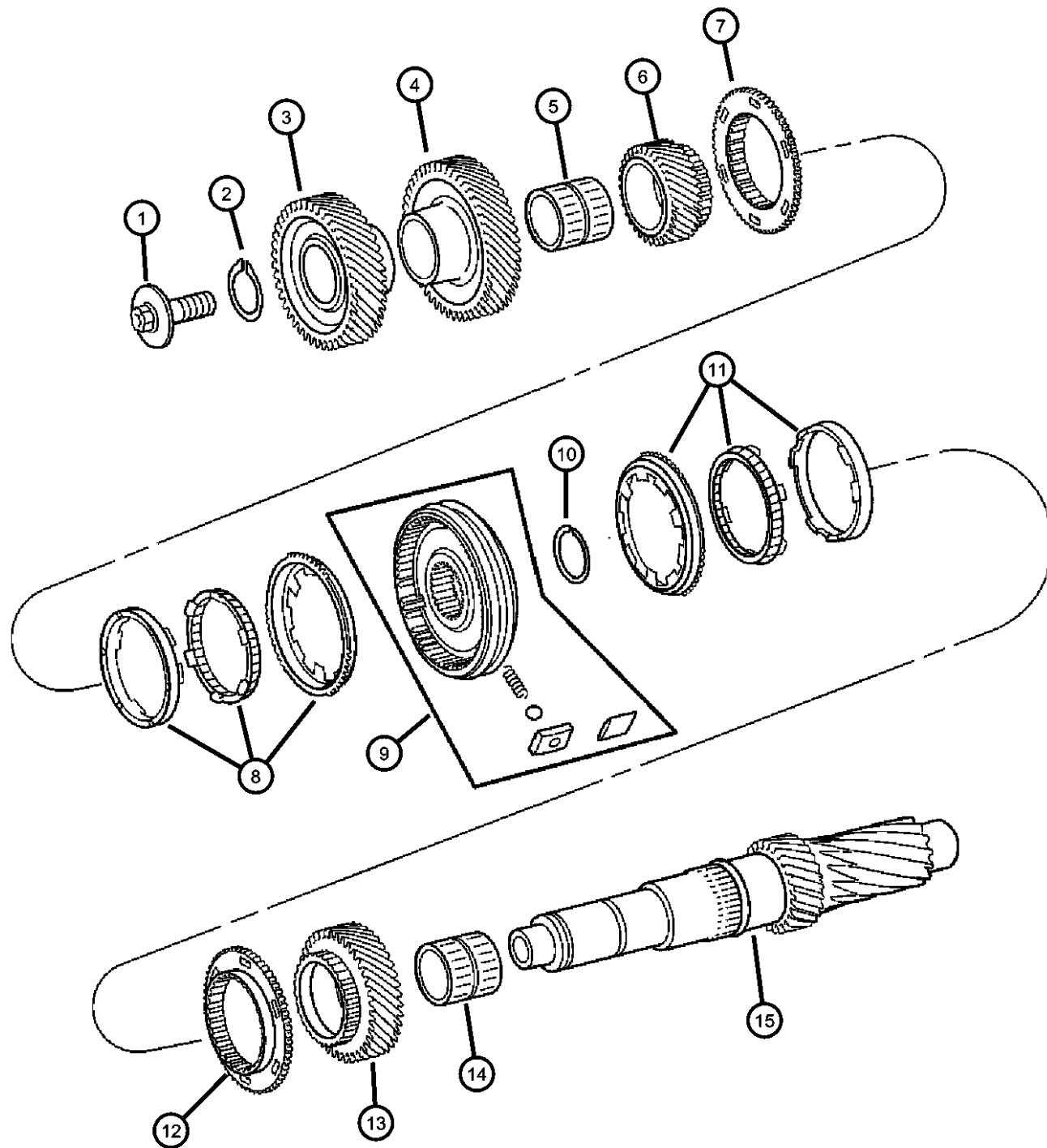
ENGINE  
ED1 = Engine - 2.4L 4 Cyl  
DOHC 16v SMPI  
EKG = Engine - 3.7L V6  
ENR = Engine - 2.8L 4 Cyl  
Turbo Diesel  
ENO = 4CYL turbo diesel

TRANSMISSION  
DGQ = Transmission-5-Spd Automatic  
5-45RFE  
DG6 = Transmission-4-Spd.  
Automatic, 42RLE  
DEH = Transmission-6-Speed Manual,  
NSG370  
DG0 = Transmissions - All Automatic  
DBB = ALL MANUAL  
TRANSMISSIONS

AR = use ase required - = Non illustrated part

2005 KJ

**Countershaft  
Figure NSG370-430**



ITEM	PART NUMBER	QTY	LINE	SERIES	BODY	ENGINE	TRANS	TRIM	DESCRIPTION
6	05098348AA	1	J, U			ED0	DEH		GEAR, Third
		1	J, U			EN0	DEH		
		1	T			EK0	DEH		
		1	J, U			EK0	DEH		
		1	T			ED0	DEH		
		1	J, U			ED0	DEH		
7	05099265AA	1	J, U			EN0	DEH		STOP RING, Synchronizer
		2	T			EK0	DEH		
		2	J, U			EK0	DEH		
		2	T			ED0	DEH		
		2	J, U			ED0	DEH		
		2	J, U			EN0	DEH		
8	05099258AB	2	T			EK0	DEH		SYNCHRONIZER
		2	J, U			EK0	DEH		
		2	T			ED0	DEH		
		2	J, U			ED0	DEH		
		2	J, U			ED0	DEH		
		2	J, U			ED0	DEH		
9		2						SYNCHRONIZER, Third and Fourth, (NOT SERVICED)	
10		2						SNAP RING, (NOT SERVICED)	
11	05099258AB	2	T			EK0	DEH		SYNCHRONIZER
		2	J, U			EK0	DEH		
		2	T			ED0	DEH		
		2	J, U			ED0	DEH		
12	05099265AA	2	T			EK0	DEH		STOP RING, Synchronizer
		2	J, U			EK0	DEH		
		2	T			ED0	DEH		
		2	J, U			ED0	DEH		

**LIBERTY (KJ)**  
 SERIES            LINE  
 P = LIMITED      J = JEEP - 4WD  
 H = SPORT        U = JEEP - 4WD (RHD)  
 M = RENEGADE   T = JEEP - 2WD

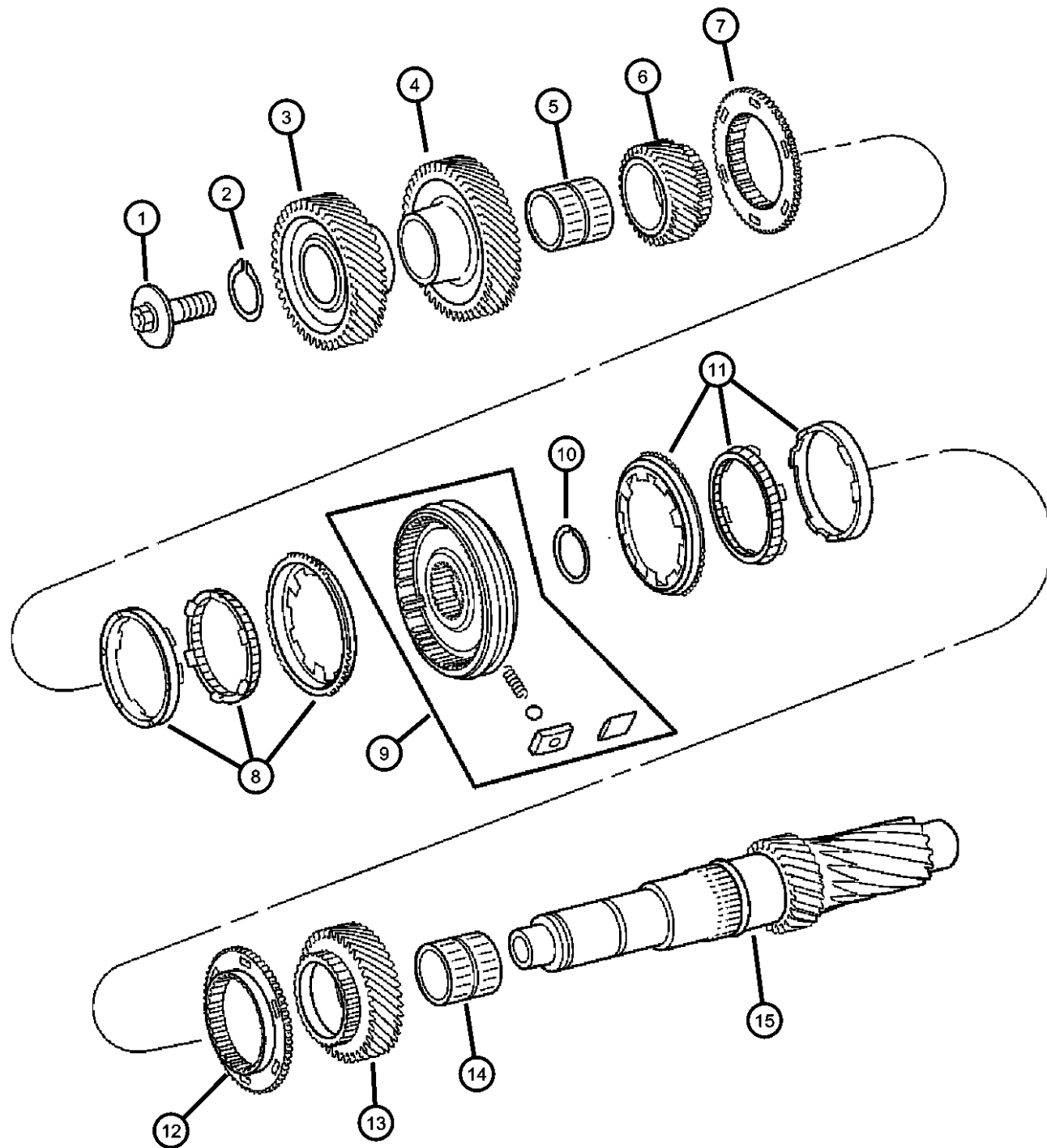
**BODY**  
 74 = SPORT UTILITY 4-DR

**ENGINE**  
 ED1 = Engine - 2.4L 4 Cyl DOHC 16v SMPI  
 EKG = Engine - 3.7L V6  
 ENR = Engine - 2.8L 4 Cyl Turbo Diesel  
 ENO = 4CYL turbo diesel

**TRANSMISSION**  
 DGQ = Transmission-5-Spd Automatic 5-45RFE  
 DG6 = Transmission-4-Spd. Automatic, 42RLE  
 DEH = Transmission-6-Speed Manual, NSG370  
 DG0 = Transmissions - All Automatic  
 DBB = ALL MANUAL TRANSMISSIONS

AR = use ase required - = Non illustrated part

**Countershaft  
Figure NSG370-430**



ITEM	PART NUMBER	QTY	LINE	SERIES	BODY	ENGINE	TRANS	TRIM	DESCRIPTION
13		2	J, U			EN0	DEH		GEAR, Fourth
	05098800AA	1	T			EK0	DEH		
		1	J, U			EK0	DEH		
		1	T			ED0	DEH		
		1	J, U			ED0	DEH		
		1	J, U			EN0	DEH		
14									BEARING, Needle
	05096455AA	1	T			EK0	DEH		
		1	J, U			EK0	DEH		
		1	T			ED0	DEH		
		1	J, U			ED0	DEH		
		1	J, U			EN0	DEH		
15									COUNTERSHAFT
	05159162AA	1	T			EK0	DEH		
		1	J, U			EK0	DEH		
		1	T			ED0	DEH		
		1	J, U			ED0	DEH		
		1	J, U			EN0	DEH		
-16									SLINGER, Oil
	05159167AA	1	T			EK0	DEH		
		1	J, U			EK0	DEH		
		1	T			ED0	DEH		
		1	J, U			ED0	DEH		
		1	J, U			EN0	DEH		

**LIBERTY (KJ)**

SERIES      LINE  
P = LIMITED      J = JEEP - 4WD  
H = SPORT      U = JEEP - 4WD (RHD)  
M = RENEGADE      T = JEEP - 2WD

BODY  
74 = SPORT UTILITY 4-DR

ENGINE  
ED1 = Engine - 2.4L 4 Cyl  
DOHC 16v SMPI  
EKG = Engine - 3.7L V6  
ENR = Engine - 2.8L 4 Cyl  
Turbo Diesel  
ENO = 4CYL turbo diesel

TRANSMISSION  
DGQ = Transmission-5-Spd Automatic  
5-45RFE  
DG6 = Transmission-4-Spd.  
Automatic, 42RLE  
DEH = Transmission-6-Speed Manual,  
NSG370  
DG0 = Transmissions - All Automatic  
DBB = ALL MANUAL  
TRANSMISSIONS

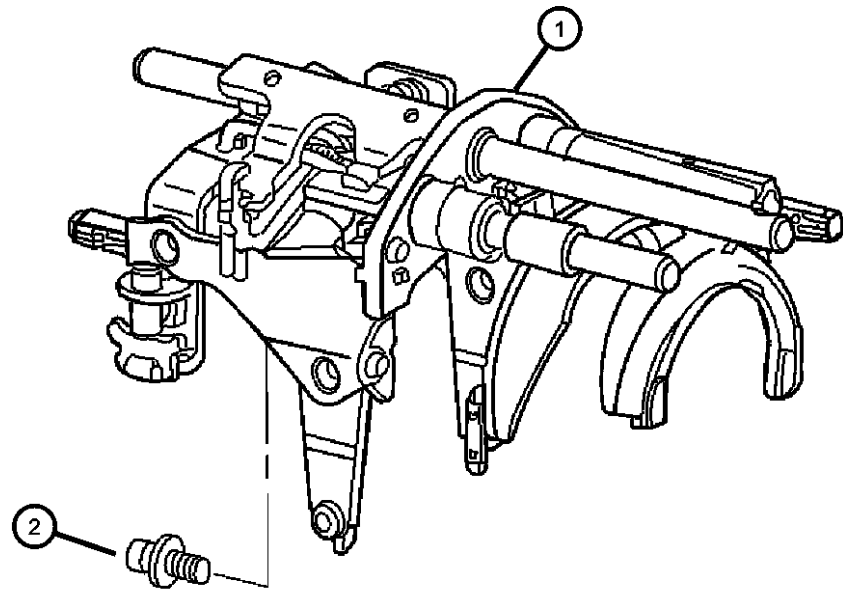
AR = use ase required - = Non illustrated part

2005 KJ

Fork and Rails [DEH]  
Figure NSG370-910

ITEM	PART NUMBER	QTY	LINE	SERIES	BODY	ENGINE	TRANS	TRIM	DESCRIPTION
------	-------------	-----	------	--------	------	--------	-------	------	-------------

NOTE: Individual Parts For The Fork Assembly Are Not Serviced  
Sales Codes:  
[DEH]=6 Speed Manual Transmission - [NSG370]  
[ED0]=All 2.4L In-Line 4 Cylinder Engines  
[EK0]=All 3.7L V-6 Engines  
[EN0]=All 4/5 Cylinder Turbo Diesel Engines



1									FORK AND RAIL ASSY, Manual Transmission
	05161076AA	1	T			EK0	DEH		
		1	J, U			EK0	DEH		
		1	T			ED0	DEH		
		1	J, U			ED0	DEH		
		1	J, U			EN0	DEH		
2									SCREW
	05098102AA	4	T			EK0	DEH		
		4	J, U			EK0	DEH		
		4	T			ED0	DEH		
		4	J, U			ED0	DEH		

LIBERTY (KJ)

SERIES      LINE  
P = LIMITED      J = JEEP - 4WD  
H = SPORT      U = JEEP - 4WD (RHD)  
M = RENEGADE      T = JEEP - 2WD

BODY  
74 = SPORT UTILITY 4-DR

ENGINE  
ED1 = Engine - 2.4L 4 Cyl  
DOHC 16v SMPI  
EK0 = Engine - 3.7L V6  
ENR = Engine - 2.8L 4 Cyl  
Turbo Diesel  
ENO = 4CYL turbo diesel

TRANSMISSION  
DGQ = Transmission-5-Spd Automatic  
5-45RFE  
DG6 = Transmission-4-Spd.  
Automatic, 42RLE  
DEH = Transmission-6-Speed Manual,  
NSG370  
DG0 = Transmissions - All Automatic  
DBB = ALL MANUAL  
TRANSMISSIONS

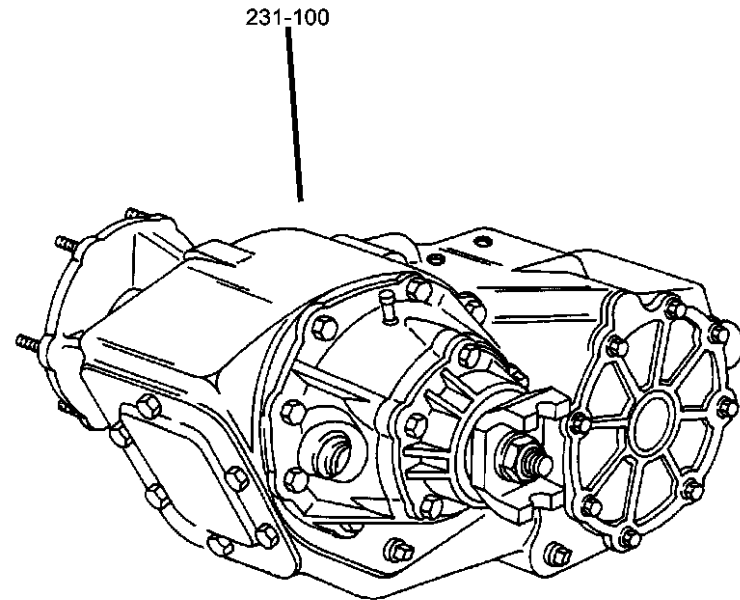
AR = use ase required - = Non illustrated part

2005 KJ



# Group - 231

## Transfer Case Model 231 [DHN]



### Group - 231 Transfer Case Model 231 [DHN]

Illustration Title

Group-Fig. No.

#### Transfer Case Assembly

Transfer Case Command Trac [DHN] ..... Fig. 231 - 110

#### Case and Related Parts

Case and Related Parts Command Trac [DHN] ..... Fig. 231 - 210

#### Gear Train

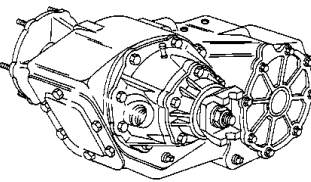
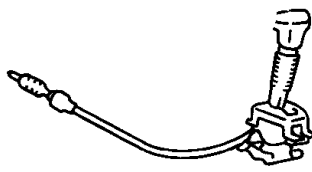
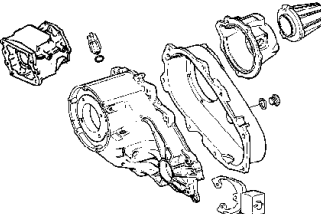
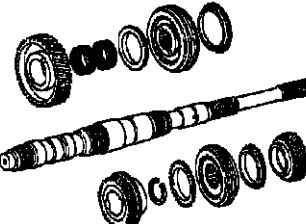
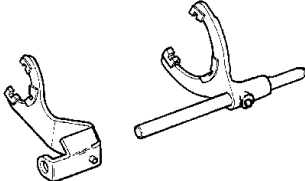
Gear Train Command Trac [DHN] ..... Fig. 231 - 410

#### Fork and Rails

Forks and Rails Command Trac [DHN]..... Fig. 231 - 910

#### Gearshift Controls

Gearshift Controls..... Fig. 231 - 1210

<p><b>231-100</b> Transfer Case Assembly</p> 	<p><b>231-1200</b> Gearshift Controls</p> 	<p><b>231-200</b> Case and Related Parts</p> 	<p><b>231-400</b> Gear Train</p> 
<p><b>231-900</b> Fork and Rails</p> 			

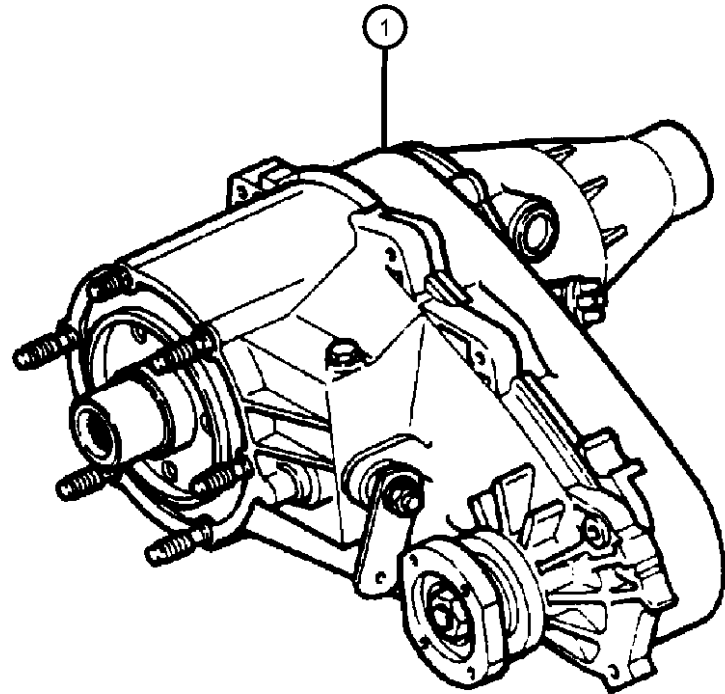
**Transfer Case Command Trac [DHN]  
Figure 231-110**

ITEM	PART NUMBER	QTY	LINE	SERIES	BODY	ENGINE	TRANS	TRIM	DESCRIPTION
------	-------------	-----	------	--------	------	--------	-------	------	-------------

NOTE: Sales Codes  
 [ED0] = All 2.2,2.5,2.4,L 4 Cylinder Gas Engines  
 [EK0] = All 3.7L 6 Cylinder Gas Engines  
 [EN0] = All 4/5 Turbo Diesel Engines

1 52099421AH 1 J, U

TRANSFER CASE, NV231



**LIBERTY (KJ)**

SERIES      LINE  
 P = LIMITED      J = JEEP - 4WD  
 H = SPORT      U = JEEP - 4WD (RHD)  
 M = RENEGADE      T = JEEP - 2WD

BODY  
 74 = SPORT UTILITY 4-DR

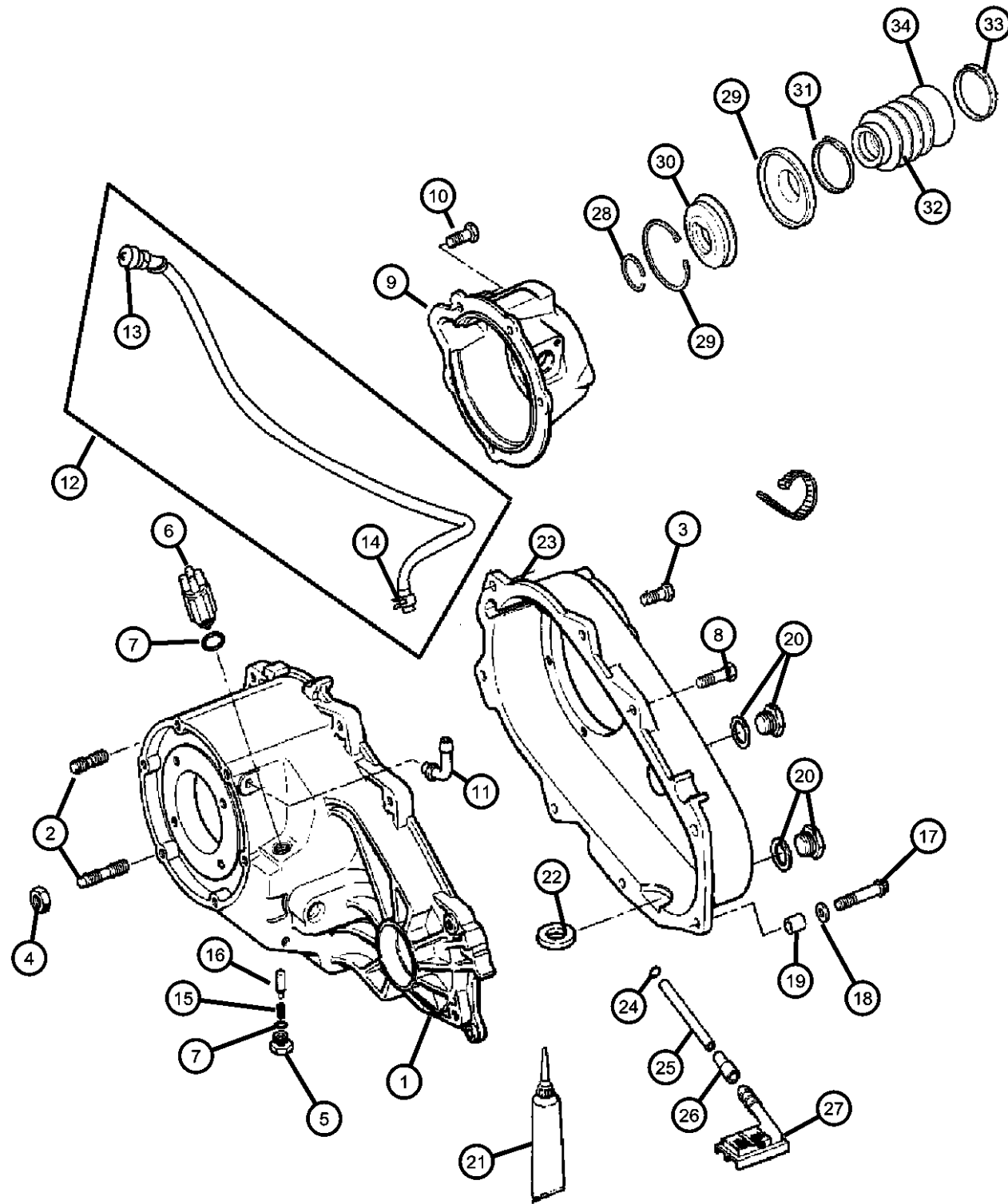
ENGINE  
 ED1 = Engine - 2.4L 4 Cyl  
 DOHC 16v SMPI  
 EKG = Engine - 3.7L V6  
 ENR = Engine - 2.8L 4 Cyl  
 Turbo Diesel  
 ENO = 4CYL turbo diesel

TRANSMISSION  
 DGQ = Transmission-5-Spd Automatic  
 5-45RFE  
 DG6 = Transmission-4-Spd.  
 Automatic, 42RLE  
 DEH = Transmission-6-Speed Manual,  
 NSG370  
 DG0 = Transmissions - All Automatic  
 DBB = ALL MANUAL  
 TRANSMISSIONS

AR = use ase required - = Non illustrated part

2005 KJ

**Case and Related Parts Command Trac [DHN]  
Figure 231-210**



ITEM	PART NUMBER	QTY	LINE	SERIES	BODY	ENGINE	TRANS	TRIM	DESCRIPTION
------	-------------	-----	------	--------	------	--------	-------	------	-------------

NOTE: Sales Codes  
 [ED0] = All 2.2,2.5,2.4,L 4 Cylinder Gas Engines  
 [EK0] = All 3.7L 6 Cylinder Gas Engines  
 [EN0] = All 4/5 Turbo Diesel Engines

1	05072322AA	1	J, U						CASE, Transfer Front
2	04167922	6	J, U						STUD, Tranmission Case
3	J8130979	1	J, U						BOLT, Twelve Point Head, M10x1.5x48
4	J4006681	6	J, U						NUT AND CONED WASHER, Hex, .375-24
5	04886473AA	1	J, U						SCREW
6	05083138AA	1	J, U						SWITCH, Transfer Case, 5 Position
7	04338956	1	J, U						SEAL, Vacuum Switch
8	04210617	5	J, U						BOLT, Transfer Case
9	05072325AA	1	J, U						RETAINER, Transfer Case Rear
10	06501371	9	J, U						BOLT, Retainer
11	04796910	1	J, U						VENT, Transfer Case
12	52105882AA	1	J, U						HOSE, Vent
13	04213328	1	J, U						VENT, Cap
14	06502081	1	J, U						CLAMP, Oil Cooler Line
15	05003445AA	1	J, U						SPRING, Poppet Plunger
16	05003444AA	1	J, U						PLUNGER
17	04210614	2	J, U						BOLT, Hex Flange Head
18	04210983	2	J, U						WASHER, Flat
19	04116310	2	J, U						DOWEL, Transfer Case
20	04856641	2	J, U						PLUG, Oil Fill
21	05010884AA	1	J, U						SEALANT, RTV
22	03681601	1	J, U						MAGNET, Transmission
23	04886222AA	1	J, U						CASE, Transfer Rear
24	04338942	1	J, U						SEAL, Oil
25	04338941	1	J, U						TUBE, Oil Pickup
26	04338944	1	J, U						CONNECTOR, Oil Tube Pickup
27	04338943	1	J, U						FILTER, Transfer Case Oil
28	04883597AA	2	J, U						SNAP RING

**LIBERTY (KJ)**

SERIES      LINE  
 P = LIMITED      J = JEEP - 4WD  
 H = SPORT      U = JEEP - 4WD (RHD)  
 M = RENEGADE      T = JEEP - 2WD

BODY  
 74 = SPORT UTILITY 4-DR

ENGINE  
 ED1 = Engine - 2.4L 4 Cyl DOHC 16v SMPI  
 EKG = Engine - 3.7L V6  
 ENR = Engine - 2.8L 4 Cyl Turbo Diesel  
 ENO = 4CYL turbo diesel

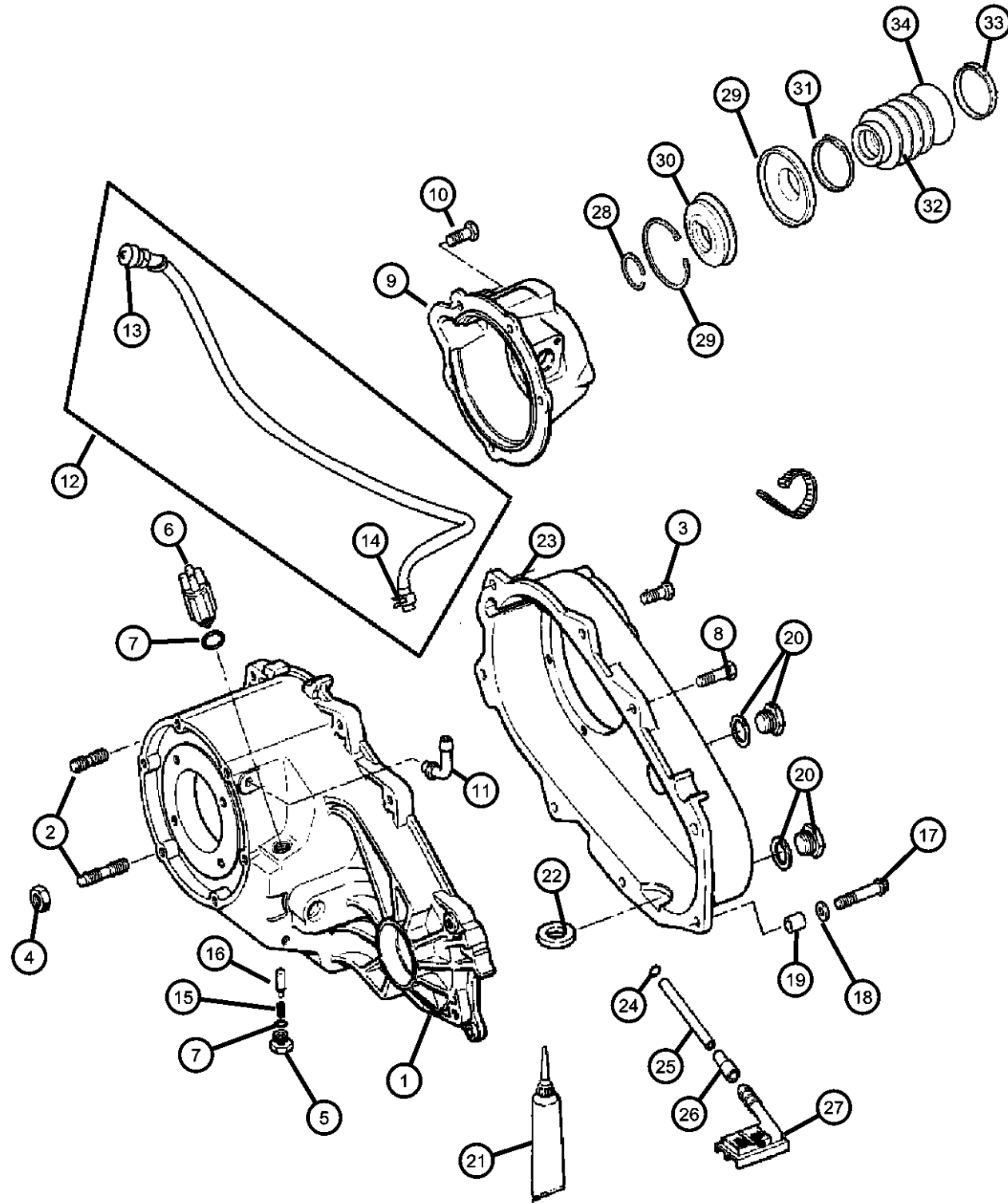
TRANSMISSION  
 DGQ = Transmission-5-Spd Automatic 5-45RFE  
 DG6 = Transmission-4-Spd. Automatic, 42RLE  
 DEH = Transmission-6-Speed Manual, NSG370  
 DG0 = Transmissions - All Automatic  
 DBB = ALL MANUAL TRANSMISSIONS

AR = use ase required - = Non illustrated part

2005 KJ



Case and Related Parts Command Trac [DHN]  
Figure 231-210



ITEM	PART NUMBER	QTY	LINE	SERIES	BODY	ENGINE	TRANS	TRIM	DESCRIPTION
29	05072306AB	1	J, U						SNAP RING
30	05072307AA	1	J, U						SEAL, Output Shaft
31	05072308AA	1	J, U						SLINGER, Transfer Case Flange
32	05072310AA	1	J, U						CLAMP, Boot
33	05072311AA	1	J, U						CLAMP, Boot
34	05072329AB	1	J, U						BOOT, Output Shaft, None

LIBERTY (KJ)

SERIES      LINE  
P = LIMITED      J = JEEP - 4WD  
H = SPORT      U = JEEP - 4WD (RHD)  
M = RENEGADE      T = JEEP - 2WD

BODY  
74 = SPORT UTILITY 4-DR

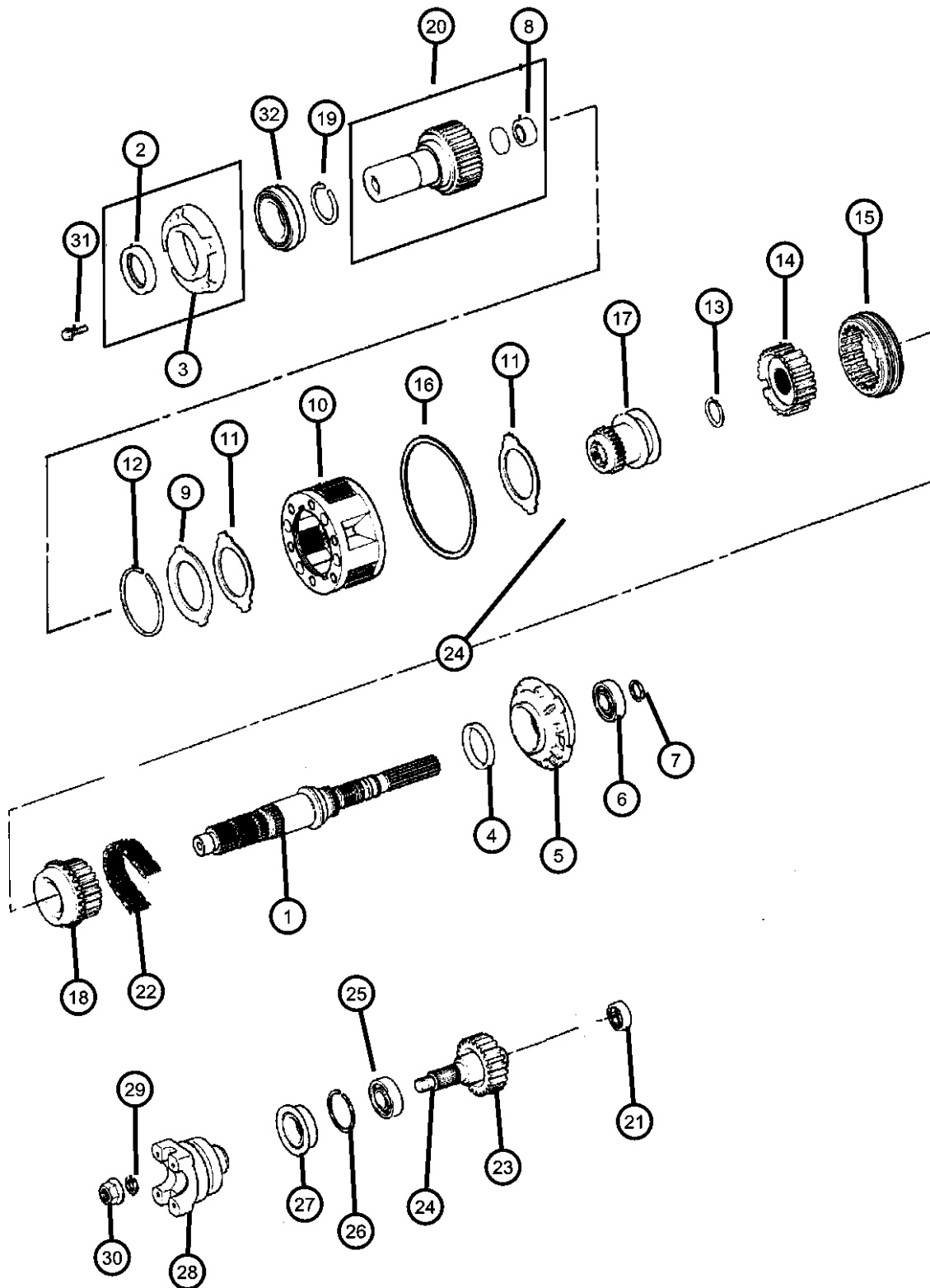
ENGINE  
ED1 = Engine - 2.4L 4 Cyl  
DOHC 16v SMPI  
EKG = Engine - 3.7L V6  
ENR = Engine - 2.8L 4 Cyl  
Turbo Diesel  
ENO = 4CYL turbo diesel

TRANSMISSION  
DGQ = Transmission-5-Spd Automatic  
5-45RFE  
DG6 = Transmission-4-Spd.  
Automatic, 42RLE  
DEH = Transmission-6-Speed Manual,  
NSG370  
DG0 = Transmissions - All Automatic  
DBB = ALL MANUAL  
TRANSMISSIONS

AR = use ase required - = Non illustrated part

2005 KJ

**Gear Train Command Trac [DHN]  
Figure 231-410**



ITEM	PART NUMBER	QTY	LINE	SERIES	BODY	ENGINE	TRANS	TRIM	DESCRIPTION
------	-------------	-----	------	--------	------	--------	-------	------	-------------

NOTE: Sales Codes  
 [ED0] = All 2.2,2.5,2.4L 4 Cylinder Gas Engines  
 [EK0] = All 3.7L 6 Cylinder Gas Engines  
 [EN0] = All 4/5 Turbo Diesel Engines

1	05072345AA	1	J, U						MAINSHAFT, Transfer Case
2	05019020AA	1	J, U						SEAL, Input Gear
3	04338973	1	J, U						EXTENSION, Transfer Case
4	04210603	1	J, U						SEAL, Main Shaft
5	04883596AA	1	J, U						PUMP, Transfer Case Oil
6	04883601AA	1	J, U						BEARING, Output Shaft
7	04883597AA	2	J, U						SNAP RING
8	83503507	1	J, U						BEARING, Input Shaft
9	05019579AA	1	J, U						PLATE
10	04796903AB	1	J, U						PLANETARY, Transfer Case
11	04338908	2	J, U						THRUST WASHER, Planetary Carrier
12	04338910	1	J, U						SNAP RING
13	04338933	1	J, U						SNAP RING
14	05159201AA	1	J, U						HUB, Synchronizer
15	04796909	1	J, U						SLEEVE, Mode Synchronizer
16	04219065	1	J, U						SNAP RING, Annulus Gear
17	04897955AA	1	J, U						SLEEVE, Range Fork
18	04796908	1	U, J						SPROCKET, Transfer Case
19	03821558	1	J, U						SNAP RING
20	04897953AA	1	J, U						GEAR, Input
21	04269189	1	J, U						BEARING, Output Shaft
22	04338935	1	J, U						CHAIN, Transfer Case
23	05072324AA	1	J, U						OUTPUT SHAFT, Transfer Case
24	04883601AA	1	J, U						BEARING, Output Shaft
25	04338892	1	J, U						BEARING
26	04338894	1	J, U						SNAP RING, Bearing
27	05015847AA	1	J, U						SEAL, Output Shaft
28	05019583AA	1	J, U						FLANGE, Driveshaft Yoke
29	04446487	1	J, U						WASHER, Flat

**LIBERTY (KJ)**

SERIES      LINE  
 P = LIMITED      J = JEEP - 4WD  
 H = SPORT      U = JEEP - 4WD (RHD)  
 M = RENEGADE      T = JEEP - 2WD

BODY  
 74 = SPORT UTILITY 4-DR

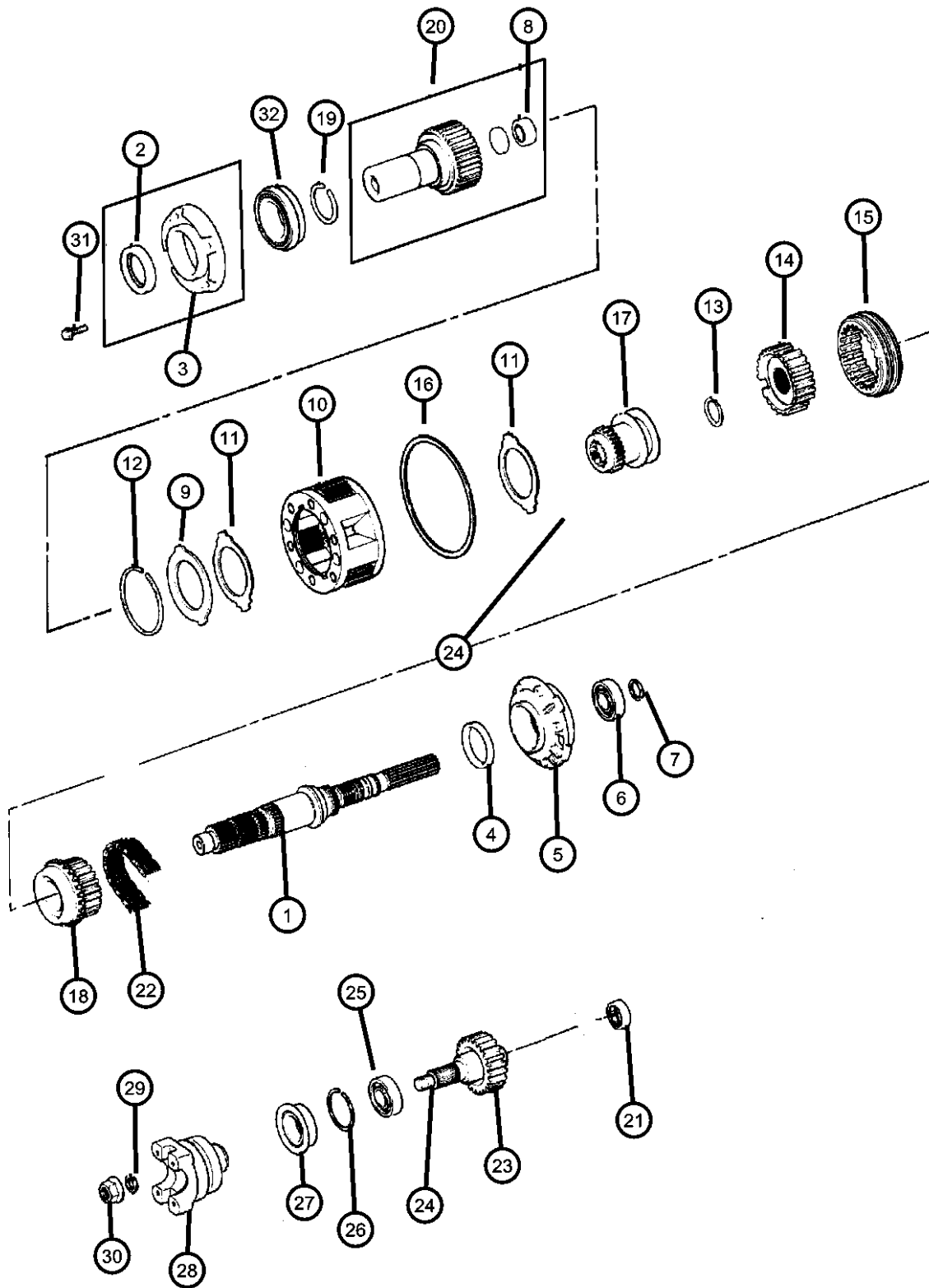
ENGINE  
 ED1 = Engine - 2.4L 4 Cyl  
 DOHC 16v SMPI  
 EKG = Engine - 3.7L V6  
 ENR = Engine - 2.8L 4 Cyl  
 Turbo Diesel  
 ENO = 4CYL turbo diesel

TRANSMISSION  
 DGQ = Transmission-5-Spd Automatic  
 5-45RFE  
 DG6 = Transmission-4-Spd.  
 Automatic, 42RLE  
 DEH = Transmission-6-Speed Manual,  
 NSG370  
 DG0 = Transmissions - All Automatic  
 DBB = ALL MANUAL  
 TRANSMISSIONS

AR = use ase required - = Non illustrated part

2005 KJ

**Gear Train Command Trac [DHN]  
Figure 231-410**



ITEM	PART NUMBER	QTY	LINE	SERIES	BODY	ENGINE	TRANS	TRIM	DESCRIPTION
30	04446488	1	J, U						NUT, Hex Flange
31	06501371	9	J, U						BOLT, Retainer
32	04746155	1	J, U						BEARING, Input Gear

**LIBERTY (KJ)**

SERIES      LINE  
P = LIMITED      J = JEEP - 4WD  
H = SPORT      U = JEEP - 4WD (RHD)  
M = RENEGADE      T = JEEP - 2WD

BODY  
74 = SPORT UTILITY 4-DR

ENGINE  
ED1 = Engine - 2.4L 4 Cyl  
DOHC 16v SMPI  
EKG = Engine - 3.7L V6  
ENR = Engine - 2.8L 4 Cyl  
Turbo Diesel  
ENO = 4CYL turbo diesel

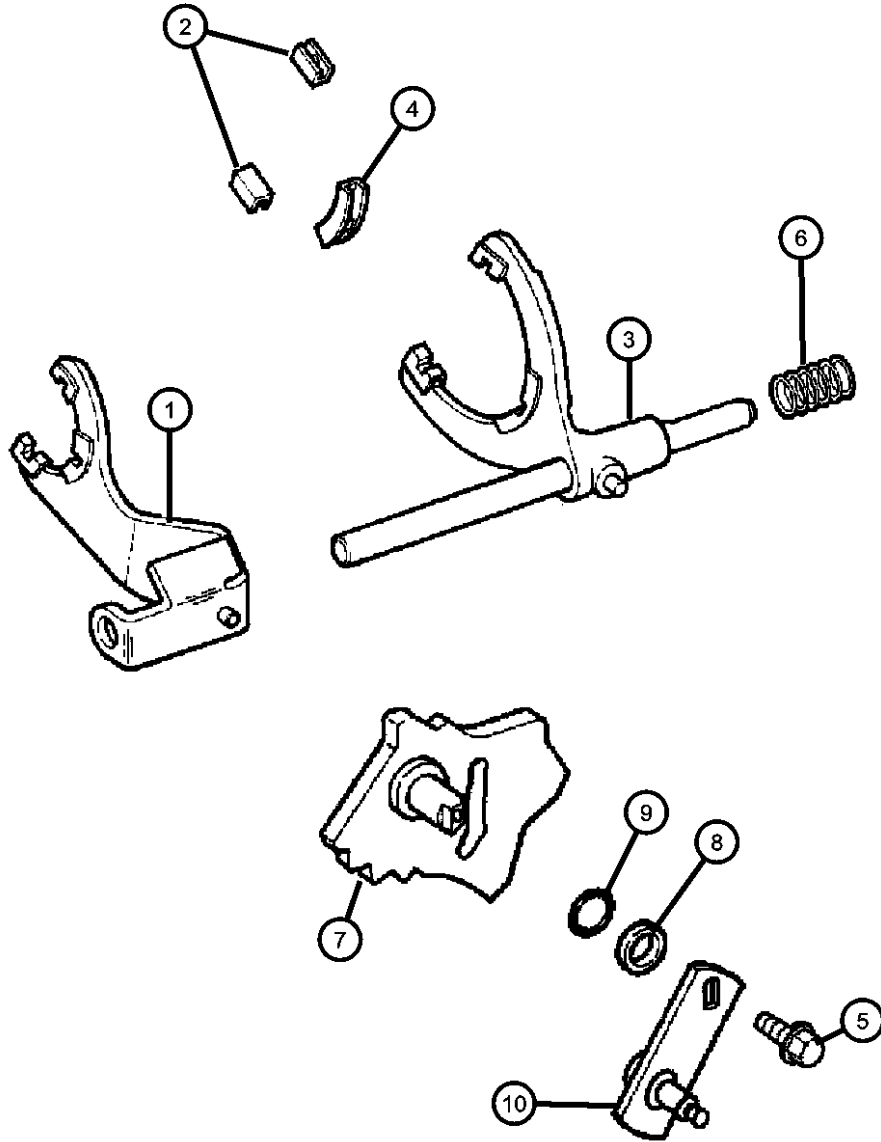
TRANSMISSION  
DGQ = Transmission-5-Spd Automatic  
5-45RFE  
DG6 = Transmission-4-Spd.  
Automatic, 42RLE  
DEH = Transmission-6-Speed Manual,  
NSG370  
DG0 = Transmissions - All Automatic  
DBB = ALL MANUAL  
TRANSMISSIONS

AR = use ase required - = Non illustrated part

2005 KJ

Forks and Rails Command Trac [DHN]  
Figure 231-910

ITEM	PART NUMBER	QTY	LINE	SERIES	BODY	ENGINE	TRANS	TRIM	DESCRIPTION
------	-------------	-----	------	--------	------	--------	-------	------	-------------



Notes; Sales Codes

- [DBB] = All Manual Transmissions
- [DG0] = All Automatic Transmissions
- [ED0] = All 2.2,2.5,2.4L 4 Cylinder Gas Engines
- [EK0] = All 3.7L 6 Cylinder Gas Engines
- [EN0] = All 4/5 Turbo Diesel Engines

1	04798136	1	J, U						
2	04167969	2	J, U						
3	04741237	1	J, U						
4	04219073	1	J, U						
5	05014048AA	1	J, U						
6	04338925	1	J, U						
7	05072568AA	1	J, U						
8	05003442AA	1	J, U						
9	05014046AA	1	J, U						
10	05161498AA	1	J, U						

FORK, Range  
PAD, Shift Fork  
FORK, Transfer Case Mode Shift  
PAD, Shift Fork  
BOLT, Hex Head  
SPRING, Mode Shift Rail  
SECTOR, Transfer Case  
BEARING, Shift Lever Linkage  
SEAL, Sector Shaft  
LEVER, Selector

LIBERTY (KJ)

SERIES LINE  
P = LIMITED J = JEEP - 4WD  
H = SPORT U = JEEP - 4WD (RHD)  
M = RENEGADE T = JEEP - 2WD

BODY  
74 = SPORT UTILITY 4-DR

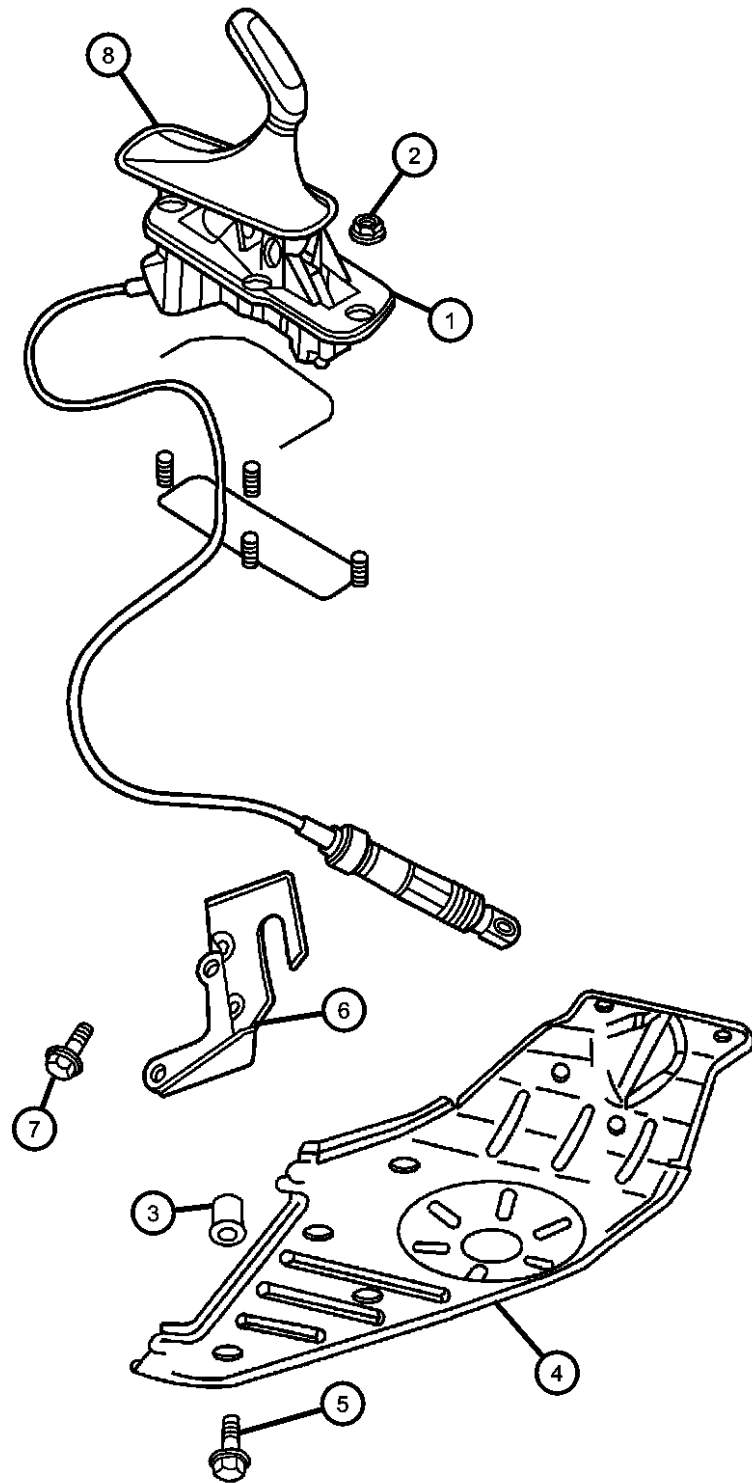
ENGINE  
ED1 = Engine - 2.4L 4 Cyl  
DOHC 16v SMPI  
EKG = Engine - 3.7L V6  
ENR = Engine - 2.8L 4 Cyl  
Turbo Diesel  
ENO = 4CYL turbo diesel

TRANSMISSION  
DGQ = Transmission-5-Spd Automatic  
5-45RFE  
DG6 = Transmission-4-Spd.  
Automatic, 42RLE  
DEH = Transmission-6-Speed Manual,  
NSG370  
DG0 = Transmissions - All Automatic  
DBB = ALL MANUAL  
TRANSMISSIONS

AR = use ase required - = Non illustrated part

2005 KJ

**Gearshift Controls  
Figure 231-1210**



ITEM	PART NUMBER	QTY	LINE	SERIES	BODY	ENGINE	TRANS	TRIM	DESCRIPTION
NOTE: Sales Codes [DBB] = All Manual Transmissions [DG0] = All Automatic Transmissions									
1	52128999AC	1	J, U						SHIFTER, Transfer Case
2	34201358	4							NUT AND WASHER, Hex Nut-Sealing Washer, M6 x 1.00 RIVET
3	06506644AA	4	J, U						RIVET
4	52129091AA	1	J, U						PLATE, Transfer Case Skid
5	06506644AA	4	J, U						RIVET
6	52128956AA	1	J, U				DBB		BRACKET, Shifter
7	06101752	3	J, U				DG0		SCREW AND WASHER, Hex Head, M10x1.5x28
8	52109709AD	1	J, U						BOOT, Gearshift
-9	68001899AA	1	J						BUSHING, Transfer case shifter

**LIBERTY (KJ)**

SERIES      LINE  
P = LIMITED      J = JEEP - 4WD  
H = SPORT      U = JEEP - 4WD (RHD)  
M = RENEGADE      T = JEEP - 2WD

BODY  
74 = SPORT UTILITY 4-DR

ENGINE  
ED1 = Engine - 2.4L 4 Cyl  
DOHC 16v SMPI  
EKG = Engine - 3.7L V6  
ENR = Engine - 2.8L 4 Cyl  
Turbo Diesel  
ENO = 4CYL turbo diesel

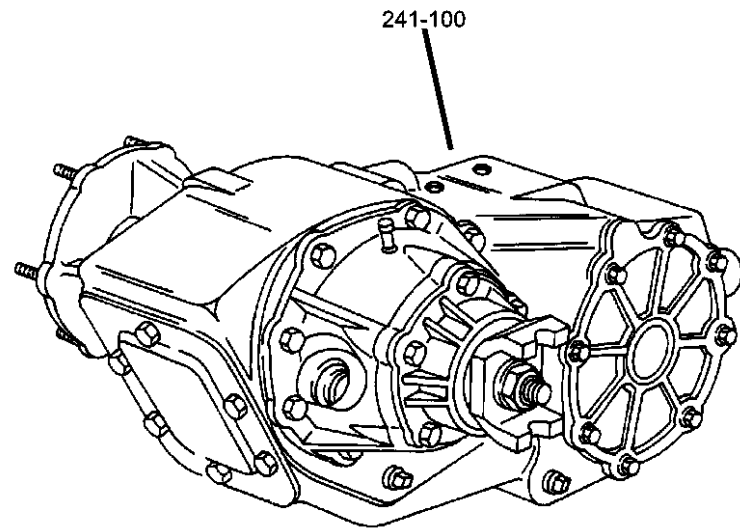
TRANSMISSION  
DGQ = Transmission-5-Spd Automatic  
5-45RFE  
DG6 = Transmission-4-Spd.  
Automatic, 42RLE  
DEH = Transmission-6-Speed Manual,  
NSG370  
DG0 = Transmissions - All Automatic  
DBB = ALL MANUAL  
TRANSMISSIONS

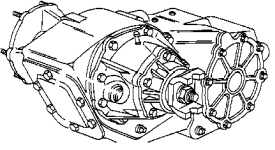

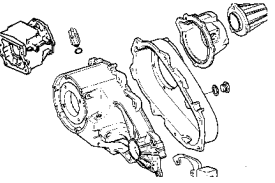
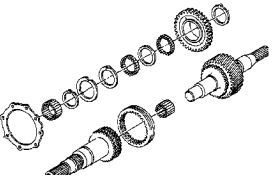
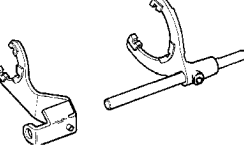
AR = use ase required - = Non illustrated part

2005 KJ

# Group - 241

## Transfer Case Model 241 [DHE]



<p><b>241-100</b> Transfer Case Assembly</p> 	<p><b>241-1200</b> Gearshift Controls</p> 	<p><b>241-200</b> Case and Related Parts</p> 	<p><b>241-400</b> Gear Train</p> 
<p><b>241-900</b> Fork and Rails</p> 			

---

**Group - 241 Transfer Case Model 241 [DHE]**

Illustration Title

Group-Fig. No.

**Transfer Case Assembly**

Transfer Case (DHE) Manual Shift on the Fly ..... Fig. 241 - 110

**Case and Related Parts**

Case and Related Parts (DHE) Manual Shift on the Fly ..... Fig. 241 - 210

**Gear Train**

Gear Train (DHE) Manual Shift on the Fly ..... Fig. 241 - 410

**Fork and Rails**

Forks (DHE) Manual Shift on the Fly ..... Fig. 241 - 910

**Gearshift Controls**

Shift Controls ..... Fig. 241 - 1210

**Transfer Case (DHE) Manual Shift on the Fly  
Figure 241-110**

ITEM	PART NUMBER	QTY	LINE	SERIES	BODY	ENGINE	TRANS	TRIM	DESCRIPTION
------	-------------	-----	------	--------	------	--------	-------	------	-------------

NOTE: Sales Codes

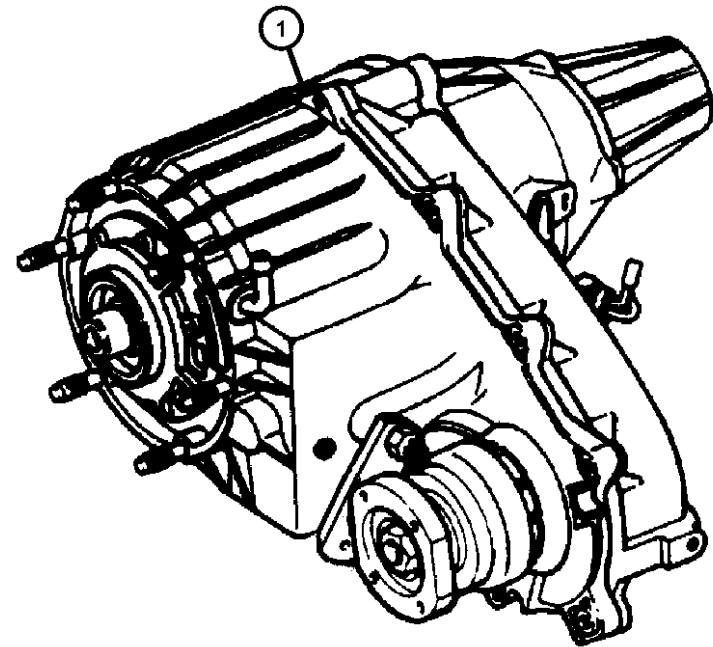
[ED0] = All 2.2,2.5,2.4,L 4 Cylinder Gas Engines

[EK0] = All 3.7L 6 Cylinder Gas Engines

[EN0] = All 4/5 Turbo Diesel Engines

1 52853311AC 1 J, U

TRANSFER CASE, NP241



**LIBERTY (KJ)**

SERIES	LINE
P = LIMITED	J = JEEP - 4WD
H = SPORT	U = JEEP - 4WD (RHD)
M = RENEGADE	T = JEEP - 2WD

BODY  
74 = SPORT UTILITY 4-DR

ENGINE  
ED1 = Engine - 2.4L 4 Cyl DOHC 16v SMPI  
EKG = Engine - 3.7L V6  
ENR = Engine - 2.8L 4 Cyl Turbo Diesel  
ENO = 4CYL turbo diesel

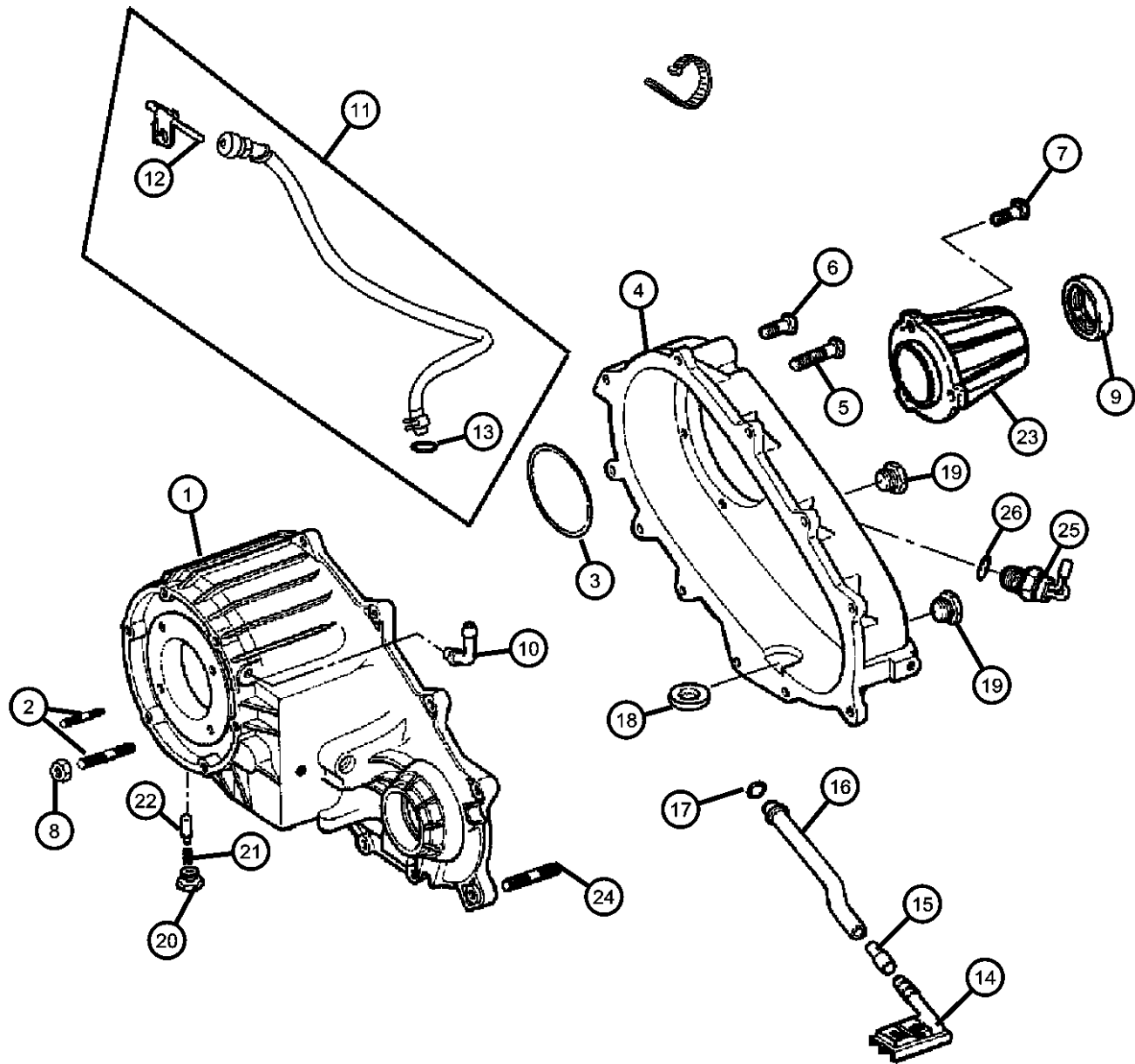
TRANSMISSION  
DGQ = Transmission-5-Spd Automatic 5-45RFE  
DG6 = Transmission-4-Spd. Automatic, 42RLE  
DEH = Transmission-6-Speed Manual, NSG370  
DG0 = Transmissions - All Automatic  
DBB = ALL MANUAL TRANSMISSIONS

AR = use ase required - = Non illustrated part

2005 KJ



**Case and Related Parts (DHE) Manual Shift on the Fly  
Figure 241-210**



ITEM	PART NUMBER	QTY	LINE	SERIES	BODY	ENGINE	TRANS	TRIM	DESCRIPTION
1	05159099AA	1	J, U						CASE, Transfer Front
2	04167922	6	J, U						STUD, Tranmission Case
3	04219065	1	J, U						SNAP RING, Annulus Gear
4	05080221AA	1	J, U						CASE, Transfer Case Rear
5	05080859AA	1	J, U						BOLT, Hex Flange Head
6	06101526	17	J, U						BOLT, Transfer Case
7	05101858AA	6	J, U						BOLT, Retainer
8	J4006681	6	J, U						NUT AND CONED WASHER, Hex, .375-24
9	05019026AA	1	J, U						SEAL, Output Shaft
10	04796910	1	J, U						VENT, Transfer Case
11	52105882AA	1	J, U						HOSE, Vent
12	04213328	1	J, U						VENT, Cap
13	06502081	1	J, U						CLAMP, Oil Cooler Line
14	05012326AA	1	J, U						FILTER, Transfer Case Oil
15	05012327AA	1	J, U						CONNECTOR, Oil Tube Pickup
16	05080223AA	1	J, U						TUBE, Oil Pickup
17	05013016AB	1	J, U						SEAL, Transfer Case
18	05080218AA	1	J, U						MAGNET
19	04856641	2	J, U						PLUG, Oil Fill
20	04886473AA	1	J, U						SCREW
21	04638497	1	J, U						SPRING, Shift Detent
22	53008217	1	J, U						PLUNGER
23	05080386AA	1	J, U						EXTENSION, Transfer Case
24	05222757	2	J, U						DOWEL
25	05083138AA	1	J, U						SWITCH, Transfer Case, 5 Position
26	04338956	1	J, U						SEAL, Vacuum Switch
-27	05010884AA	1	J, U						SEALANT, RTV

**LIBERTY (KJ)**

SERIES      LINE  
P = LIMITED      J = JEEP - 4WD  
H = SPORT      U = JEEP - 4WD (RHD)  
M = RENEGADE      T = JEEP - 2WD

BODY  
74 = SPORT UTILITY 4-DR

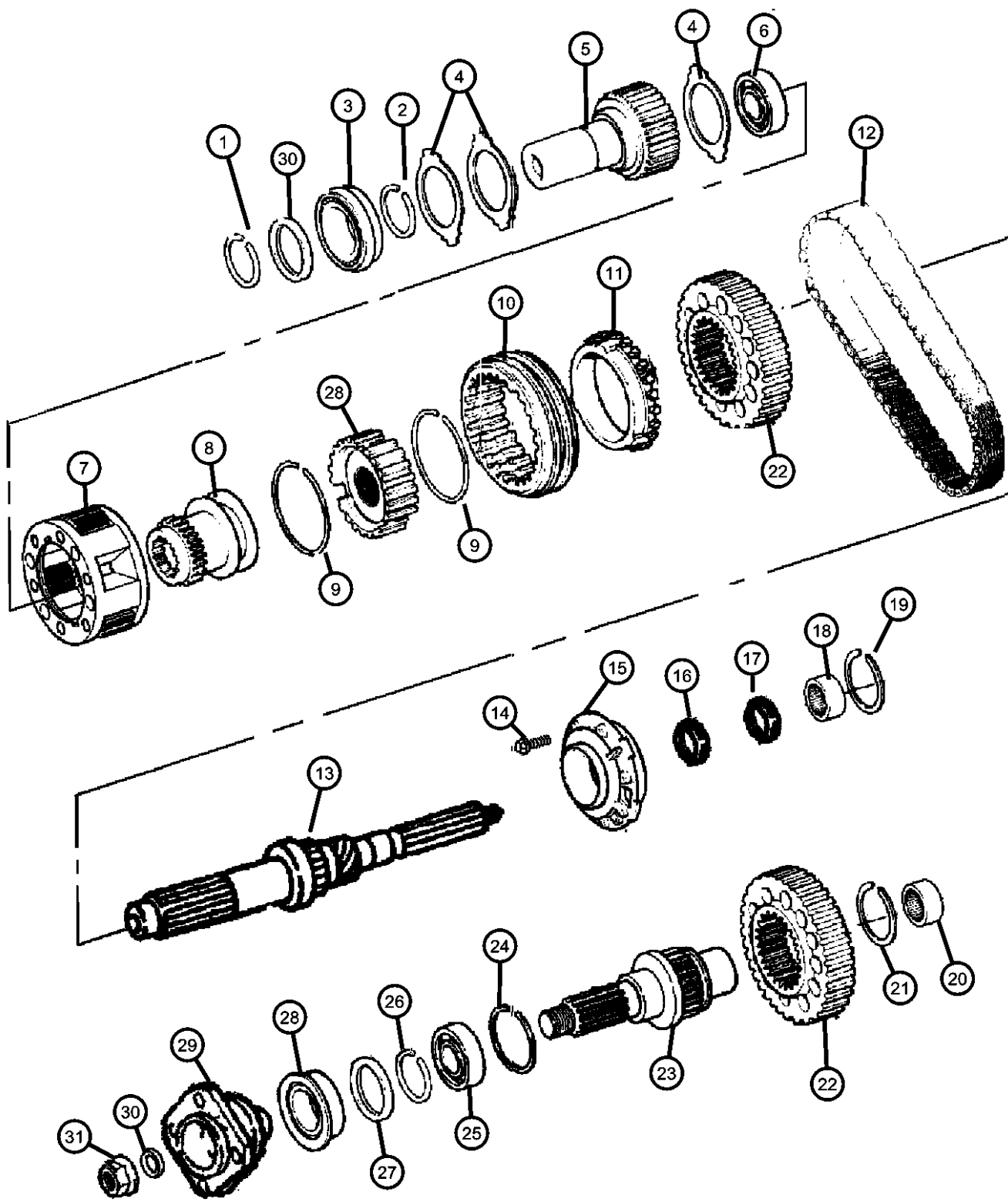
ENGINE  
ED1 = Engine - 2.4L 4 Cyl DOHC 16v SMPI  
EKG = Engine - 3.7L V6  
ENR = Engine - 2.8L 4 Cyl Turbo Diesel  
ENO = 4CYL turbo diesel

TRANSMISSION  
DGQ = Transmission-5-Spd Automatic 5-45RFE  
DG6 = Transmission-4-Spd. Automatic, 42RLE  
DEH = Transmission-6-Speed Manual, NSG370  
DG0 = Transmissions - All Automatic  
DBB = ALL MANUAL TRANSMISSIONS

AR = use ase required    - = Non illustrated part

2005 KJ

**Gear Train (DHE) Manual Shift on the Fly  
Figure 241-410**



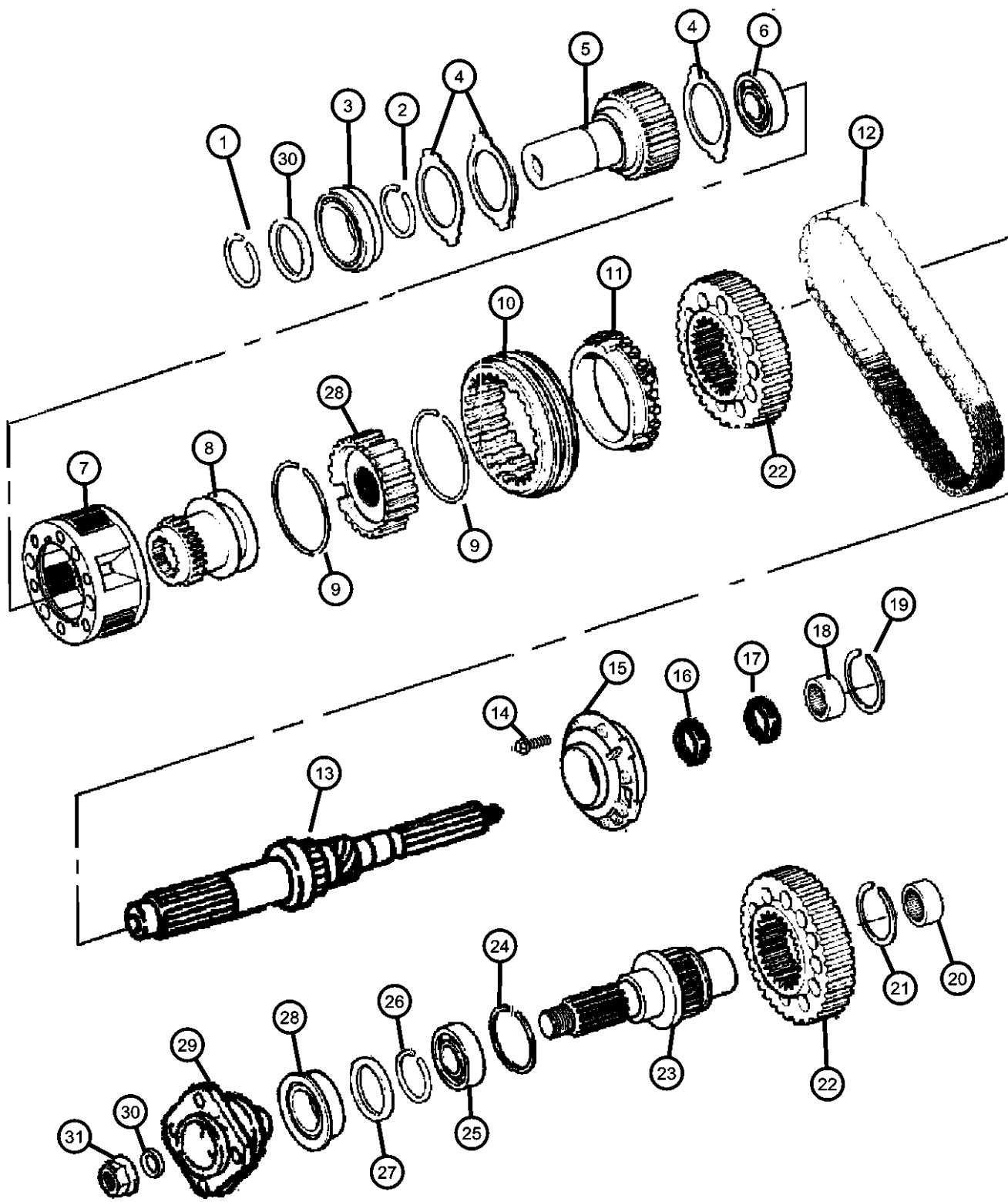
ITEM	PART NUMBER	QTY	LINE	SERIES	BODY	ENGINE	TRANS	TRIM	DESCRIPTION
1	05072460AA	1	J, U						SNAP RING
2	05072459AA	1	J, U						SNAP RING
3	05072458AA	1	J, U						BEARING, Input Gear
4	04338908	2	J, U						THRUST WASHER, Planetary Carrier
5	05072464AA	1	U, J						GEAR, Input
6	05080499AA	1	J, U						BEARING, Input Gear
7	04796903AB	1	J, U						PLANETARY, Transfer Case
8	05086104AA	1	J, U						SLEEVE, Shift Range
9	05080503AA	1	J, U						SNAP RING, Clutch Gear
10	05080207AA	1	J, U						SLEEVE, Mode Synchronizer
11	05080504AA	1	J, U						HUB, Synchronizer
12	05012322AB	1	J, U						CHAIN, Transfer Case
13	05080180AA	1	J, U						MAINSHAFT, Transfer Case
14	05101858AA	6	J, U						BOLT, Retainer
15	05101878AA	1	J, U						HOUSING, Pump
16	05101879AA	1	J, U						ROTOR, Inner
17	05101880AA	1	J, U						ROTOR, Outer
18	04897981AA	1	J, U						BEARING, Output Shaft
19	06025755	1	J, U						SNAP RING, 1.28 ID
20	04269189	1	J, U						BEARING, Output Shaft
21	05080503AA	1	J, U						SNAP RING, Clutch Gear
22	05159110AA	1	J, U						SPROCKET, Transfer Case
23	05093602AA	1	J, U						OUTPUT SHAFT, Transfer Case
24	0089331A	1	J, U						SNAP RING, Inside Of The Front Output Bearing
25	04897981AA	1	J, U						BEARING, Output Shaft, [ Front Output]
26	05072459AA	1	J, U						SNAP RING, Outside Of The Front Output Bearing
27	04798125	1	J, U						SEAL, Output Shaft
28	05093605AA	1	J, U						SLEEVE, Wear
29	05103223AA	1	J, U						FLANGE, Driveshaft Yoke

**LIBERTY (KJ)**

SERIES	LINE	BODY	ENGINE	TRANSMISSION
P = LIMITED	J = JEEP - 4WD	74 = SPORT UTILITY 4-DR	ED1 = Engine - 2.4L 4 Cyl DOHC 16v SMPI	DGQ = Transmission-5-Spd Automatic 5-45RFE
H = SPORT	U = JEEP - 4WD (RHD)		EKG = Engine - 3.7L V6	DG6 = Transmission-4-Spd. Automatic, 42RLE
M = RENEGADE	T = JEEP - 2WD		ENR = Engine - 2.8L 4 Cyl Turbo Diesel	DEH = Transmission-6-Speed Manual, NSG370
			ENO = 4CYL turbo diesel	DG0 = Transmissions - All Automatic
				DBB = ALL MANUAL TRANSMISSIONS

AR = use ase required - = Non illustrated part

**Gear Train (DHE) Manual Shift on the Fly  
Figure 241-410**



ITEM	PART NUMBER	QTY	LINE	SERIES	BODY	ENGINE	TRANS	TRIM	DESCRIPTION
30	04210973	1	J, U						WASHER, Transfer Case Yoke
31	04167924	1	J, U						NUT, Transfer Case Yoke

**LIBERTY (KJ)**

SERIES            LINE  
P = LIMITED      J = JEEP - 4WD  
H = SPORT        U = JEEP - 4WD (RHD)  
M = RENEGADE   T = JEEP - 2WD

BODY  
74 = SPORT UTILITY 4-DR

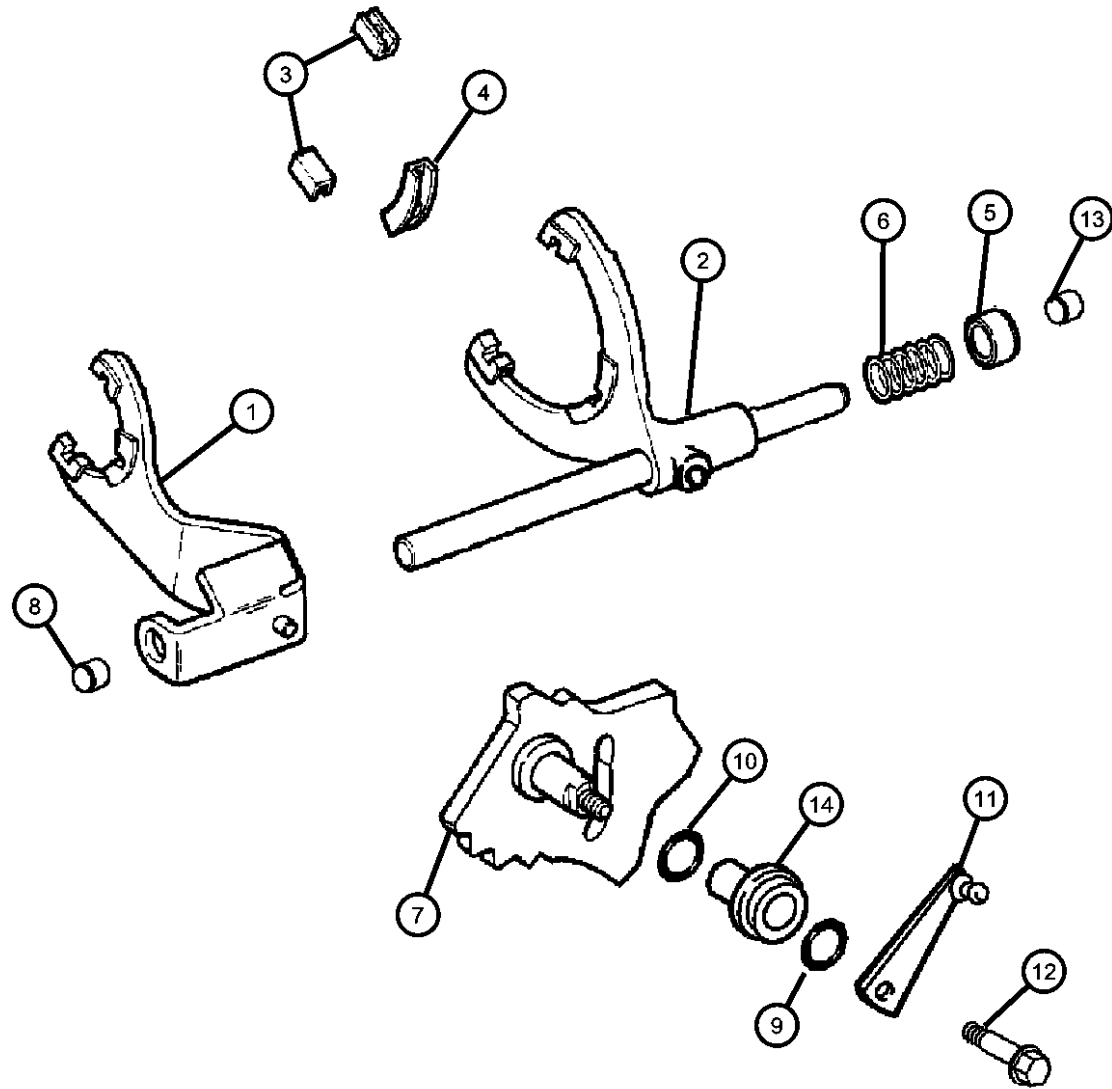
ENGINE  
ED1 = Engine - 2.4L 4 Cyl  
DOHC 16v SMPI  
EKG = Engine - 3.7L V6  
ENR = Engine - 2.8L 4 Cyl  
Turbo Diesel  
ENO = 4CYL turbo diesel

TRANSMISSION  
DGQ = Transmission-5-Spd Automatic  
5-45RFE  
DG6 = Transmission-4-Spd.  
Automatic, 42RLE  
DEH = Transmission-6-Speed Manual,  
NSG370  
DG0 = Transmissions - All Automatic  
DBB = ALL MANUAL  
TRANSMISSIONS

AR = use ase required   - = Non illustrated part

Forks (DHE) Manual Shift on the Fly  
Figure 241-910

ITEM	PART NUMBER	QTY	LINE	SERIES	BODY	ENGINE	TRANS	TRIM	DESCRIPTION
1	04798136	1	J, U						FORK, Range
2	05080158AA	1	J, U						FORK, Transfer Case Mode Shift
3	04167969	2	J, U						PAD, Shift Fork
4	04219073	1	J, U						PAD, Shift Fork
5	83503515	1	J, U						CUP, Shift Fork Spring
6	00013816	1	J, U						SPRING, Mode Fork
7	05159105AA	1	J, U						SECTOR, Transfer Case
8	04338945	1	J, U						BUSHING, Shift Rail
9	05014046AA	1	J, U						SEAL, Sector Shaft
10	05080761AA	1	J, U						SEAL, Gearshift Lever
11	05159109AA	1	J, U						LEVER, Transfer Case
12	05014048AA	1	J, U						BOLT, Hex Head
13	04338945	1	J, U						BUSHING, Shift Rail
14	05080760AA	1	J, U						SUPPORT, Gearshift Lever



**LIBERTY (KJ)**

SERIES LINE  
P = LIMITED J = JEEP - 4WD  
H = SPORT U = JEEP - 4WD (RHD)  
M = RENEGADE T = JEEP - 2WD

BODY  
74 = SPORT UTILITY 4-DR

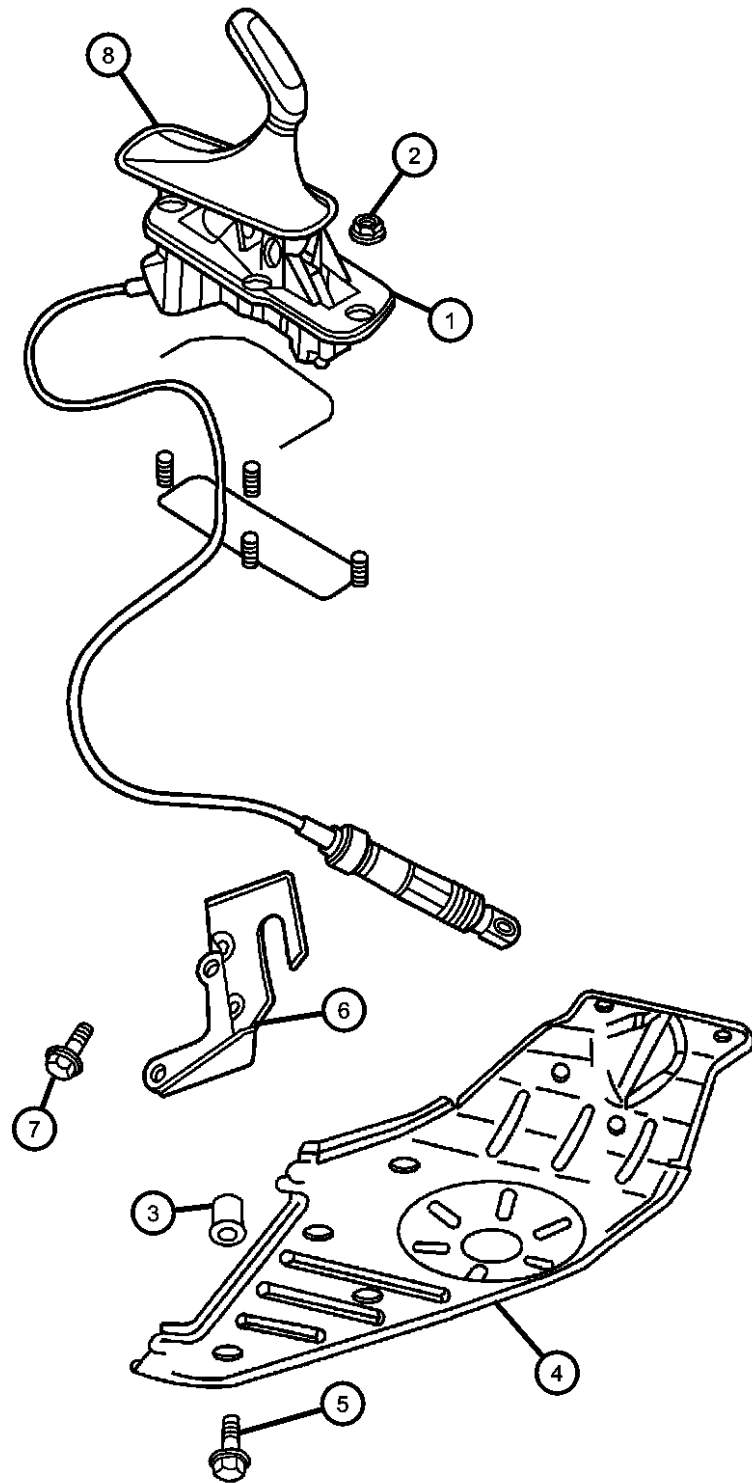
ENGINE  
ED1 = Engine - 2.4L 4 Cyl DOHC 16v SMPI  
EKG = Engine - 3.7L V6  
ENR = Engine - 2.8L 4 Cyl Turbo Diesel  
ENO = 4CYL turbo diesel

TRANSMISSION  
DGQ = Transmission-5-Spd Automatic 5-45RFE  
DG6 = Transmission-4-Spd. Automatic, 42RLE  
DEH = Transmission-6-Speed Manual, NSG370  
DG0 = Transmissions - All Automatic  
DBB = ALL MANUAL TRANSMISSIONS

AR = use ase required - = Non illustrated part

2005 KJ

Shift Controls  
Figure 241-1210



ITEM	PART NUMBER	QTY	LINE	SERIES	BODY	ENGINE	TRANS	TRIM	DESCRIPTION
NOTE: Sales Codes [DBB] = All Manual Transmissions [DG0] = All Automatic Transmissions									
1	52128999AD	1	J, U						SHIFTER, Transfer Case
2	34201358	4							NUT AND WASHER, Hex Nut-Sealing Washer, M6 x 1.00
3	06506644AA	4	J, U						RIVET
4	52128649AA	1							PLATE, Transfer Case Skid
5	06506644AA	4	J, U						RIVET
6									BRACKET, Shifter
	52128954AA	1	J, U				DG6		
	52128955AA	1	J, U				DGQ		
	52128956AA	1	J, U				DBB		
7	06101752	3	J, U				DG0		SCREW AND WASHER, Hex Head, M10x1.5x28
8	52109709AD	1	J, U						BOOT, Gearshift

LIBERTY (KJ)

SERIES      LINE  
P = LIMITED      J = JEEP - 4WD  
H = SPORT      U = JEEP - 4WD (RHD)  
M = RENEGADE      T = JEEP - 2WD

BODY  
74 = SPORT UTILITY 4-DR

ENGINE  
ED1 = Engine - 2.4L 4 Cyl  
DOHC 16v SMPI  
EKG = Engine - 3.7L V6  
ENR = Engine - 2.8L 4 Cyl  
Turbo Diesel  
ENO = 4CYL turbo diesel

TRANSMISSION  
DGQ = Transmission-5-Spd Automatic  
5-45RFE  
DG6 = Transmission-4-Spd.  
Automatic, 42RLE  
DEH = Transmission-6-Speed Manual,  
NSG370  
DG0 = Transmissions - All Automatic  
DBB = ALL MANUAL  
TRANSMISSIONS

AR = use ase required - = Non illustrated part

2005 KJ

# Group - 242

## Transfer Case Model 242 [DHP]

### Group - 242 Transfer Case Model 242 [DHP]

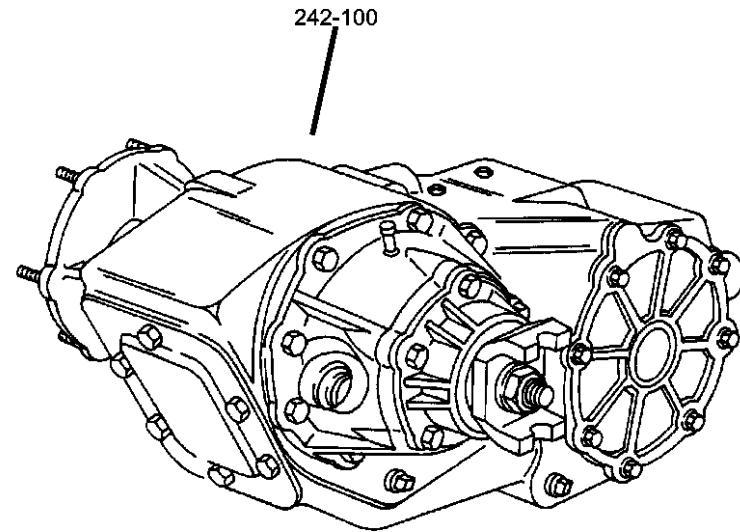


Illustration Title

Group-Fig. No.

#### Transfer Case Assembly

Transfer Case Select Trac [DHP] ..... Fig. 242 - 110

#### Case and Related Parts

Case and Related Parts Select Trac [DHP] ..... Fig. 242 - 210

#### Gear Train

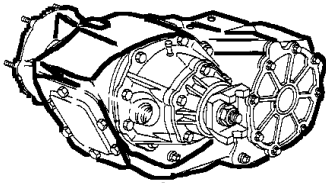
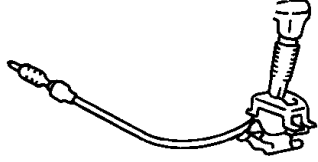
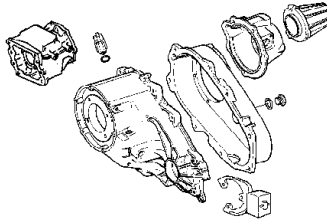
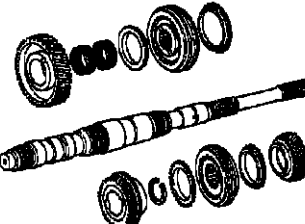
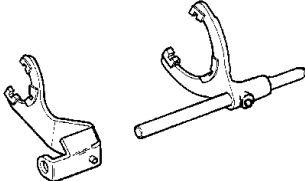
Gear Train Select Trac [DHP] ..... Fig. 242 - 410

#### Fork and Rails

Forks and Rails Select Trac [DHP] ..... Fig. 242 - 910

#### Gearshift Controls

Gearshift ..... Fig. 242 - 1210

<p><b>242-100</b> Transfer Case Assembly</p> 	<p><b>242-1200</b> Gearshift Controls</p> 	<p><b>242-200</b> Case and Related Parts</p> 	<p><b>242-400</b> Gear Train</p> 
<p><b>242-900</b> Fork and Rails</p> 			

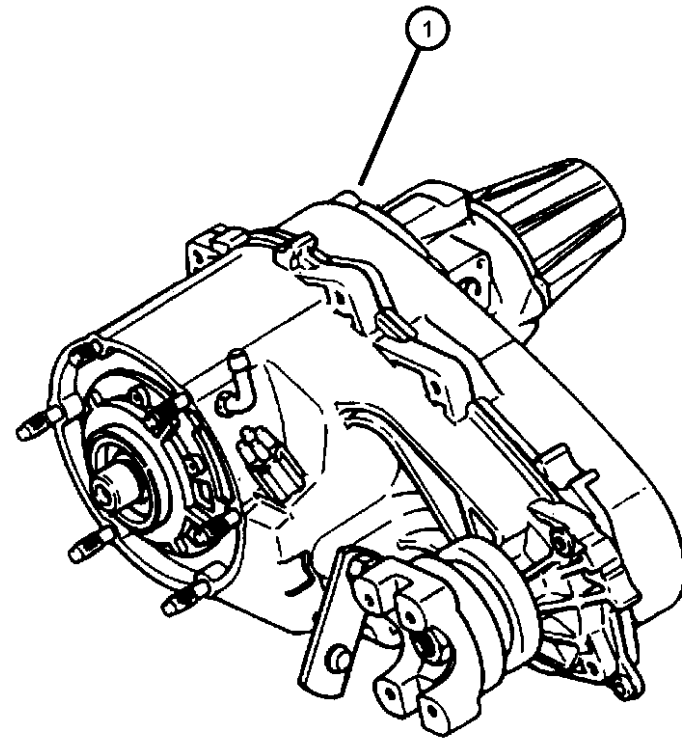
**Transfer Case Select Trac [DHP]  
Figure 242-110**

ITEM	PART NUMBER	QTY	LINE	SERIES	BODY	ENGINE	TRANS	TRIM	DESCRIPTION
------	-------------	-----	------	--------	------	--------	-------	------	-------------

Notes: Sales Code  
 ED0=All 2.2,2.4,2.5,L 4Cylinder Gas Engines  
 EK0=All 3.7L Gas Engines  
 EN0=All 4/5 Cylinber Turbo Diesel Engines

1	52853123AD	1	J, U						
---	------------	---	------	--	--	--	--	--	--

TRANSFER CASE, NP242



**LIBERTY (KJ)**

SERIES	LINE
P = LIMITED	J = JEEP - 4WD
H = SPORT	U = JEEP - 4WD (RHD)
M = RENEGADE	T = JEEP - 2WD

BODY  
 74 = SPORT UTILITY 4-DR

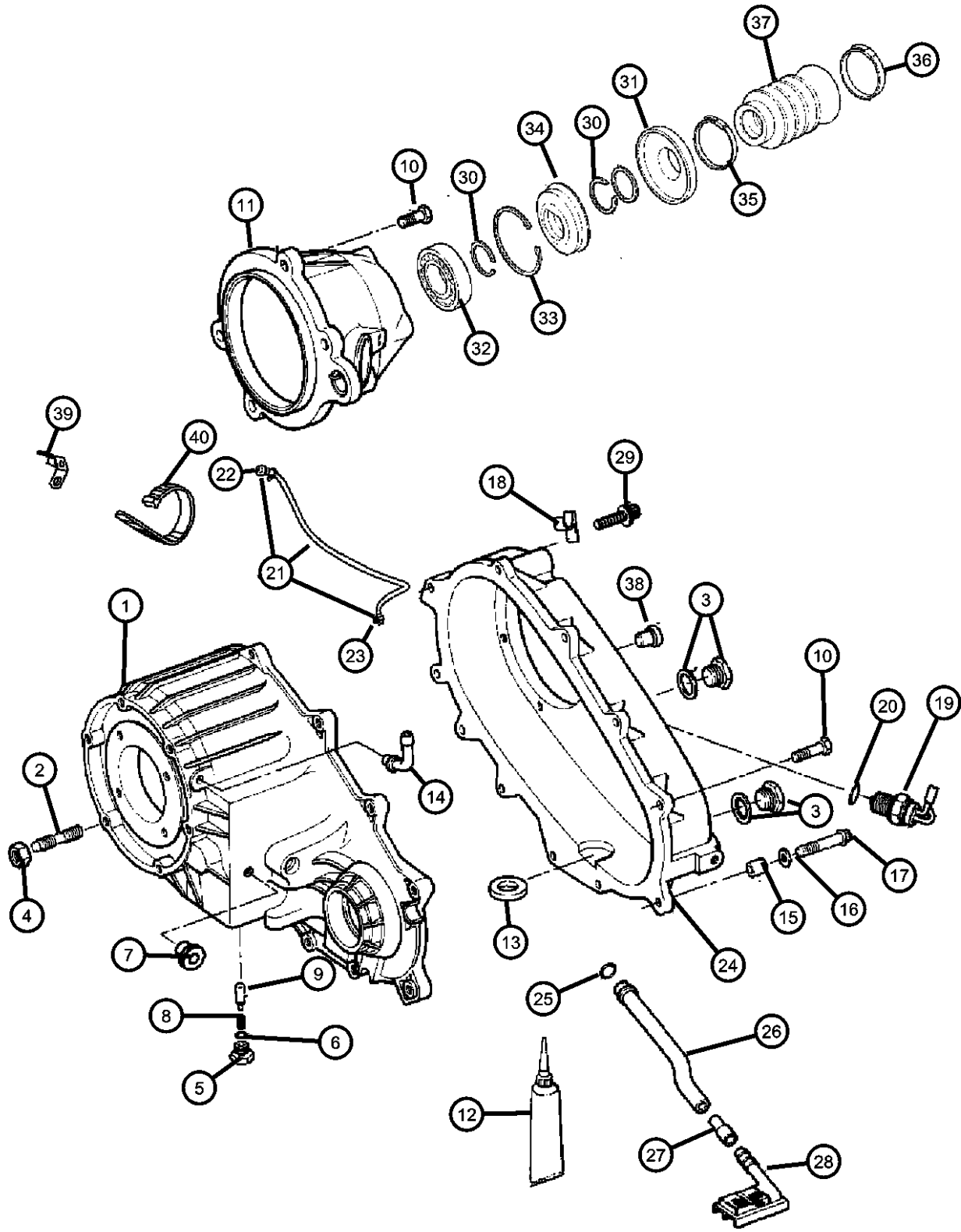
ENGINE  
 ED1 = Engine - 2.4L 4 Cyl  
 DOHC 16v SMPI  
 EKG = Engine - 3.7L V6  
 ENR = Engine - 2.8L 4 Cyl  
 Turbo Diesel  
 ENO = 4CYL turbo diesel

TRANSMISSION  
 DGQ = Transmission-5-Spd Automatic  
 5-45RFE  
 DG6 = Transmission-4-Spd.  
 Automatic, 42RLE  
 DEH = Transmission-6-Speed Manual,  
 NSG370  
 DG0 = Transmissions - All Automatic  
 DBB = ALL MANUAL  
 TRANSMISSIONS

AR = use ase required - = Non illustrated part

2005 KJ

**Case and Related Parts Select Trac [DHP]  
Figure 242-210**



ITEM	PART NUMBER	QTY	LINE	SERIES	BODY	ENGINE	TRANS	TRIM	DESCRIPTION
------	-------------	-----	------	--------	------	--------	-------	------	-------------

Notes: Sales Code  
 ED0=All 2.2,2.4,2.5,L 4Cylinder Gas Engines  
 EK0=All 3.7L Gas Engines  
 EN0=All 4/5 Cylinber Turbo Diesel Engines

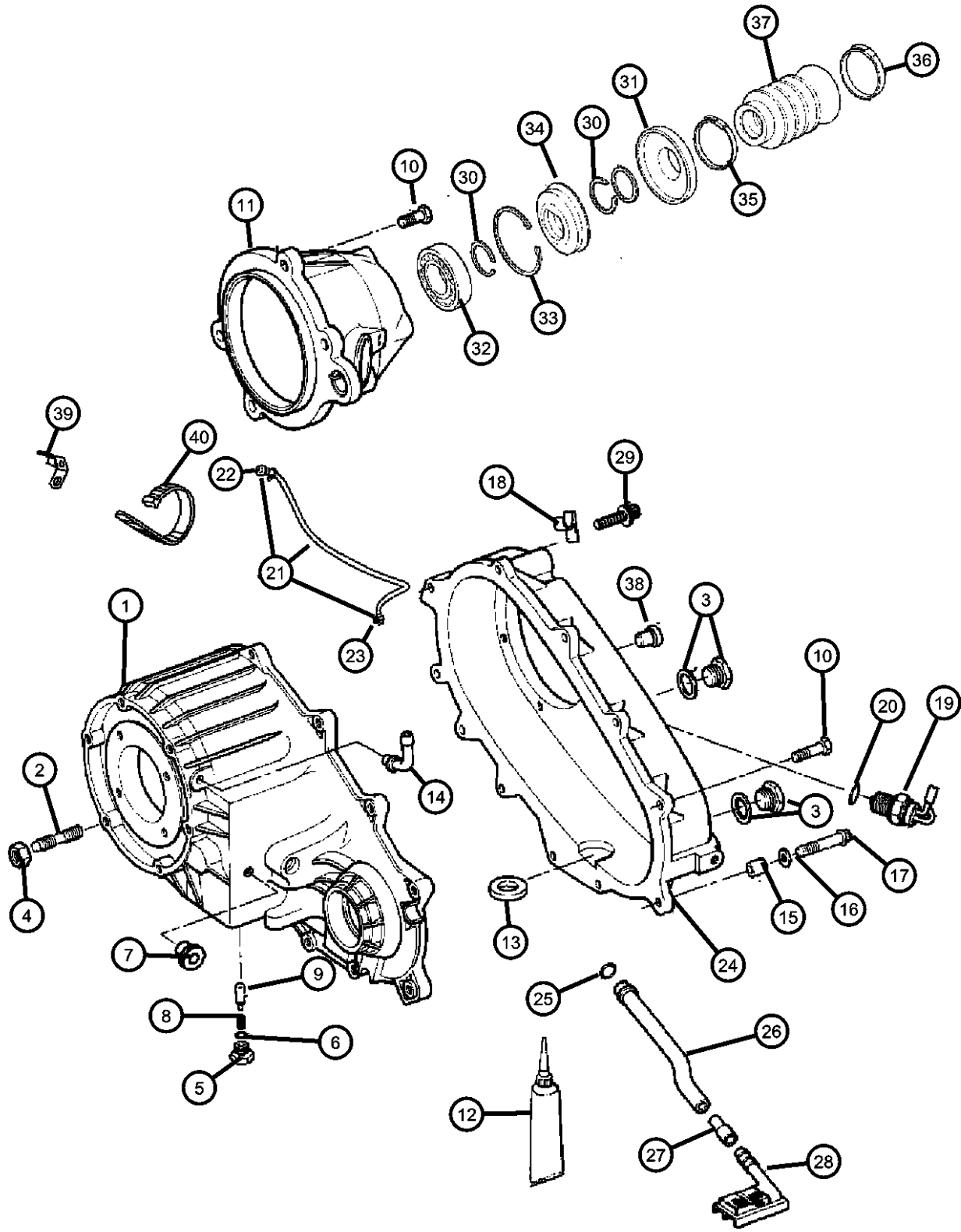
1	05072315AA	1	J, U						CASE, Transfer Front
2	04167922	6	J, U						STUD, Tranmission Case
3	04856641	2	J, U						PLUG, Oil Fill
4	J4006681	6	J, U						NUT AND CONED WASHER, Hex, .375-24
5	04886473AA	1	J, U						SCREW
6	04338956	1	J, U						SEAL, Vacuum Switch
7									PLUG
	00015105	1	J, U						
	04880129AA	2	U			EN0			
8	05003445AA	1	J, U						SPRING, Poppet Plunger
9	05003444AA	1	J, U						PLUNGER
10	04210617	8	J, U						BOLT, Transfer Case
11	05072305AA	1	J, U						RETAINER, Transfer Case Rear
12	05010884AA	1	J, U						SEALANT, RTV
13	03681601	1	J, U						MAGNET, Transmission
14	04796910	1	J, U						VENT, Transfer Case
15	04116310	2	J, U						DOWEL, Transfer Case
16	04210983	2	J, U						WASHER, Flat
17	04210614	1	J, U						BOLT, Hex Flange Head
18	04210614	1							CLIP, (NOT REQUIRED)
19	05083138AA	1	J, U						SWITCH, Transfer Case, 5 Position
20	04338956	1	J, U						SEAL, Vacuum Switch
21	52105882AA	1	J, U						HOSE, Vent
22	04213328	1	J, U						VENT, Cap
23	06502081	1	J, U						CLAMP, Oil Cooler Line
24	05013858AA	1	J, U						CASE, Transfer Rear
25	04338942	1	J, U						SEAL, Oil
26	05003455AA	1	J, U						TUBE, Oil Pickup
27	04338944	1	J, U						CONNECTOR, Oil Tube Pickup

<b>LIBERTY (KJ)</b>				
SERIES	LINE	BODY	ENGINE	TRANSMISSION
P = LIMITED	J = JEEP - 4WD	74 = SPORT UTILITY 4-DR	ED1 = Engine - 2.4L 4 Cyl DOHC 16v SMPI	DGQ = Transmission-5-Spd Automatic 5-45RFE
H = SPORT	U = JEEP - 4WD (RHD)		EKG = Engine - 3.7L V6	DG6 = Transmission-4-Spd. Automatic, 42RLE
M = RENEGADE	T = JEEP - 2WD		ENR = Engine - 2.8L 4 Cyl Turbo Diesel	DEH = Transmission-6-Speed Manual, NSG370
			ENO = 4CYL turbo diesel	DG0 = Transmissions - All Automatic
				DBB = ALL MANUAL TRANSMISSIONS

AR = use ase required - = Non illustrated part



Case and Related Parts Select Trac [DHP]  
Figure 242-210



ITEM	PART NUMBER	QTY	LINE	SERIES	BODY	ENGINE	TRANS	TRIM	DESCRIPTION
28	04338943	1	J, U						FILTER, Transfer Case Oil
29	J8130979	1	J, U						BOLT, Twelve Point Head, M10x1.5x48
30	04883597AA	2	J, U						SNAP RING
31	05072308AA	1	J, U						SLINGER, Transfer Case Flange
32	02466224	1	J, U						BEARING, Output Shaft
33	05072306AB	1	J, U						SNAP RING
34	05072307AA	1	J, U						SEAL, Output Shaft
35	05072310AA	1	J, U						CLAMP, Boot
36	05072311AA	1	J, U						CLAMP, Boot
37	05072329AB	1	J, U						BOOT, Output Shaft, None
38	04638953	1	J, U						DOWEL
39	56041823AB	1	J, U			EN0	DBB		BRACKET, Oxygen Sensor
40	05073039AA	1	J, U						STRAP, Tie

LIBERTY (KJ)

SERIES LINE  
P = LIMITED J = JEEP - 4WD  
H = SPORT U = JEEP - 4WD (RHD)  
M = RENEGADE T = JEEP - 2WD

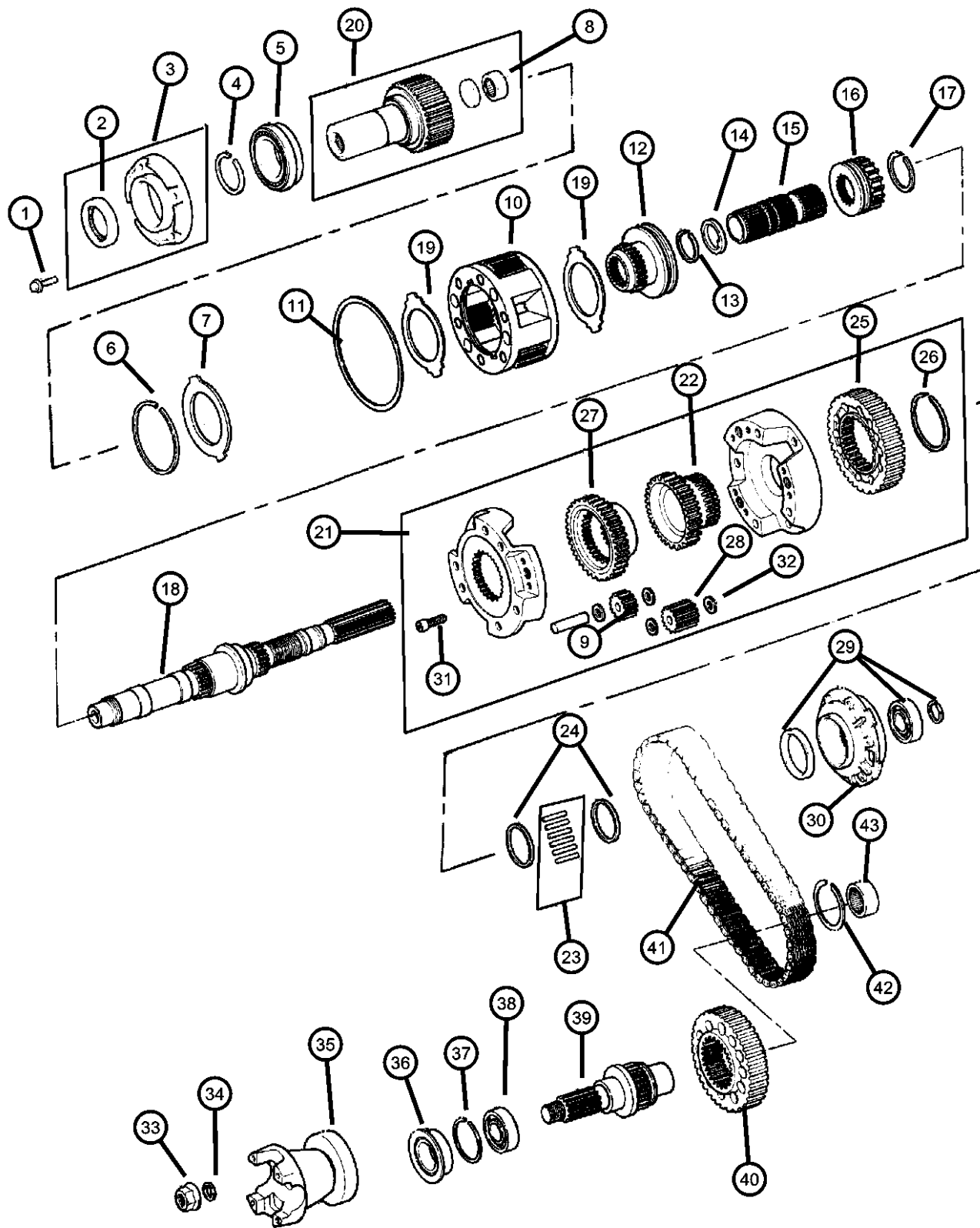
BODY  
74 = SPORT UTILITY 4-DR

ENGINE  
ED1 = Engine - 2.4L 4 Cyl DOHC 16v SMPI  
EKG = Engine - 3.7L V6  
ENR = Engine - 2.8L 4 Cyl Turbo Diesel  
ENO = 4CYL turbo diesel

TRANSMISSION  
DGQ = Transmission-5-Spd Automatic 5-45RFE  
DG6 = Transmission-4-Spd. Automatic, 42RLE  
DEH = Transmission-6-Speed Manual, NSG370  
DG0 = Transmissions - All Automatic  
DBB = ALL MANUAL TRANSMISSIONS

AR = use ase required - = Non illustrated part

**Gear Train Select Trac [DHP]  
Figure 242-410**



ITEM	PART NUMBER	QTY	LINE	SERIES	BODY	ENGINE	TRANS	TRIM	DESCRIPTION
Notes: Sales Code ED0=All 2.2,2.4,2.5,L 4Cylinder Gas Engines EK0=All 3.7L Gas Engines EN0=All 4/5 Cylinber Turbo Diesel Engines									
1	06501371	4	J, U						BOLT, Retainer
2	05019020AA	1	J, U						SEAL, Input Gear
3	04338973	1	J, U						EXTENSION, Transfer Case
4	03821558	1	J, U						SNAP RING
5	04746155	1	J, U						BEARING, Input Gear
6	04338910	1	J, U						SNAP RING
7	05019579AA	1	J, U						PLATE
8	83503507	1	J, U						BEARING, Input Shaft
9	83504170	1	J, U						GEAR, Planetary
10	04796903AB	1	J, U						PLANETARY, Transfer Case
11	04219065	1	J, U						SNAP RING, Annulus Gear
12	05003746AA	1	J, U						SLEEVE, Shift Range
13	83503540	1	J, U						SNAP RING
14	83503539	1	J, U						WASHER, Intermediate Sleeve
15	04798277	1	J, U						SHAFT, Intermediate
16	83503542	1	J, U						SLEEVE, Mode Synchronizer
17	83503537	1	J, U						SNAP RING
18	05072299AA	1	J, U						MAINSHAFT, Transfer Case
19	04338908	2	J, U						THRUST WASHER, Planetary Carrier
20	05003446AA	1	J, U						GEAR, Input
21	05072300AA	1	J, U						DIFFERENTIAL, Transfer Case
22	05072301AA	1	J, U						SPROCKET, Transfer Case
23	05066996AA	1	J, U						NEEDLE BEARING, Roller Cage, None
24	04338908	2	J, U						THRUST WASHER, Planetary Carrier
25	83503536	1	J, U						SPROCKET, Differential
26	83503532	1	J, U						SNAP RING
27	05003450AA	1	J, U						GEAR, Differential Drive
28	83504169	3	J, U						GEAR, Planetary

**LIBERTY (KJ)**

SERIES      LINE  
P = LIMITED      J = JEEP - 4WD  
H = SPORT      U = JEEP - 4WD (RHD)  
M = RENEGADE      T = JEEP - 2WD

BODY  
74 = SPORT UTILITY 4-DR

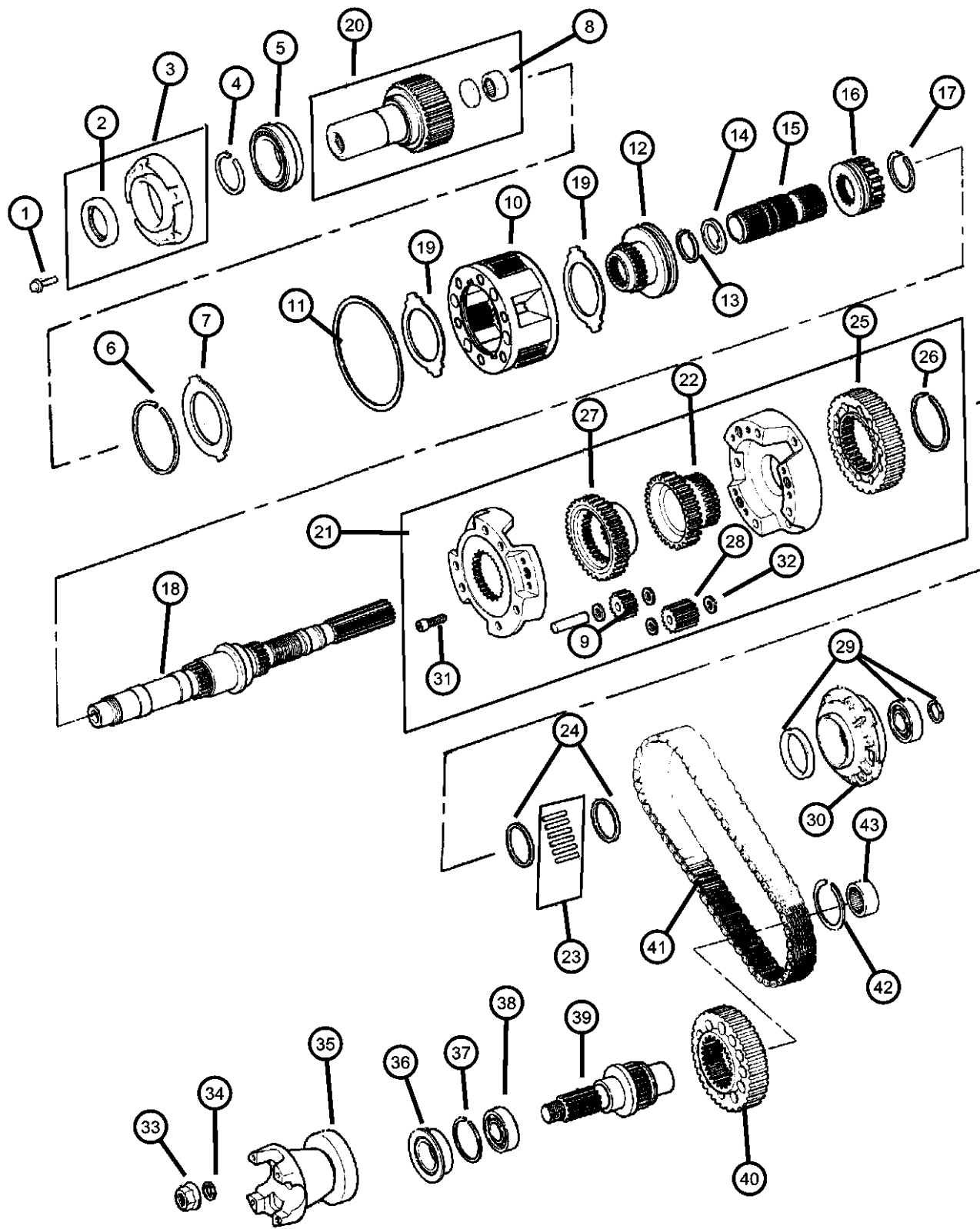
ENGINE  
ED1 = Engine - 2.4L 4 Cyl DOHC 16v SMPI  
EK0 = Engine - 3.7L V6  
ENR = Engine - 2.8L 4 Cyl Turbo Diesel  
ENO = 4CYL turbo diesel

TRANSMISSION  
DGQ = Transmission-5-Spd Automatic 5-45RFE  
DG6 = Transmission-4-Spd. Automatic, 42RLE  
DEH = Transmission-6-Speed Manual, NSG370  
DG0 = Transmissions - All Automatic  
DBB = ALL MANUAL TRANSMISSIONS

AR = use ase required - = Non illustrated part

2005 KJ

**Gear Train Select Trac [DHP]  
Figure 242-410**



ITEM	PART NUMBER	QTY	LINE	SERIES	BODY	ENGINE	TRANS	TRIM	DESCRIPTION
29	83504169	3							SEAL, Main Shaft, (NOT REQUIRED)
30	04883596AA	1	J, U						PUMP, Transfer Case Oil
31	04886473AA	1	J, U						SCREW
32	83504168	12	J, U						WASHER, Differential Gear
33	04167924	1	J, U						NUT, Transfer Case Yoke
34	04210973	1	J, U						WASHER, Transfer Case Yoke
35	05103223AA	1	J, U						FLANGE, Driveshaft Yoke
36	04798125	1	J, U						SEAL, Output Shaft
37	0089331A	1	J, U						SNAP RING
38	04269189	1	J, U						BEARING, Output Shaft
39	05012336AA	1	J, U						OUTPUT SHAFT, Transfer Case
40	05072302AA	1	J, U						SPROCKET, Transfer Case
41	05012322AB	1	J, U						CHAIN, Transfer Case
42	04167991	1	J, U						SNAP RING, Bearing
43	04883601AA	1	J, U						BEARING, Output Shaft

**LIBERTY (KJ)**

SERIES      LINE  
P = LIMITED      J = JEEP - 4WD  
H = SPORT      U = JEEP - 4WD (RHD)  
M = RENEGADE      T = JEEP - 2WD

BODY  
74 = SPORT UTILITY 4-DR

ENGINE  
ED1 = Engine - 2.4L 4 Cyl DOHC 16v SMPI  
EKG = Engine - 3.7L V6  
ENR = Engine - 2.8L 4 Cyl Turbo Diesel  
ENO = 4CYL turbo diesel

TRANSMISSION  
DGQ = Transmission-5-Spd Automatic 5-45RFE  
DG6 = Transmission-4-Spd. Automatic, 42RLE  
DEH = Transmission-6-Speed Manual, NSG370  
DG0 = Transmissions - All Automatic  
DBB = ALL MANUAL TRANSMISSIONS

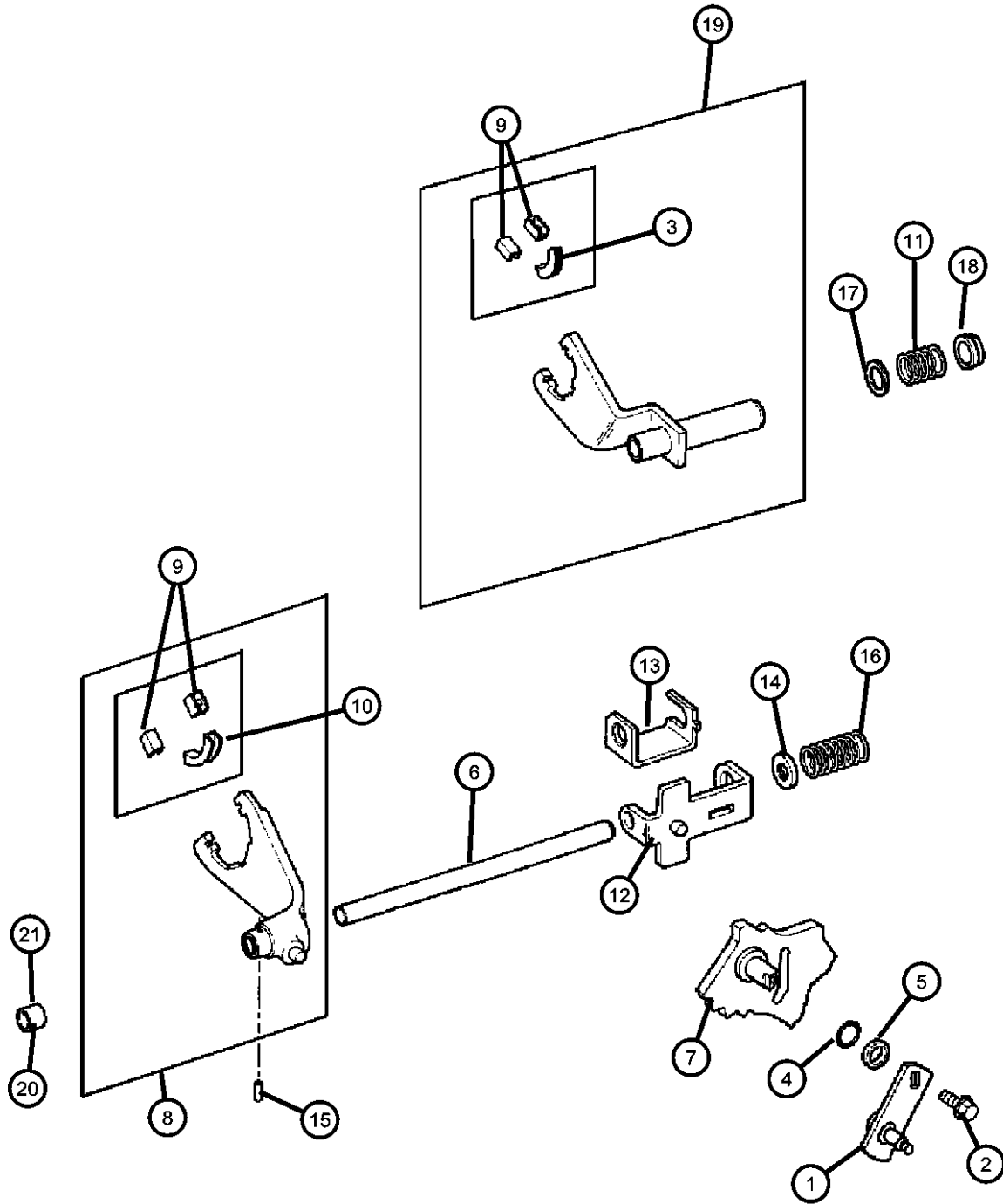
AR = use ase required - = Non illustrated part

2005 KJ

Forks and Rails Select Trac [DHP]  
Figure 242-910

ITEM	PART NUMBER	QTY	LINE	SERIES	BODY	ENGINE	TRANS	TRIM	DESCRIPTION
------	-------------	-----	------	--------	------	--------	-------	------	-------------

Notes: Sales Code  
ED0=All 2.2,2.4,2.5,L 4Cylinder Gas Engines  
EK0=All 3.7L Gas Engines  
EN0=All 4/5 Cylinber Turbo Diesel Engines



1	05159093AA	1	J, U						LEVER, Transfer Case
2	05014048AA	1	J, U						BOLT, Hex Head
3	04338376	1	J, U						PAD, Shift Fork
4	05014046AA	1	J, U						SEAL, Sector Shaft
5	05003442AA	1	J, U						BEARING, Shift Lever Linkage
6	83504469	1	J, U						RAIL, Transfer Case
7	05072569AA	1	J, U						SECTOR, Transfer Case
8	05003459AA	1	J, U						FORK, Range
9	04167969	2	J, U						PAD, Shift Fork
10	04167970	1	J, U						PAD, Shift Fork
11	83503513	1	J, U						SPRING, Mode Shift Fork
12	83503510	1	J, U						BRACKET, Shift Mode
13	83503511	1	J, U						BRACKET, Shift Mode
14	83503515	1	J, U						CUP, Shift Fork Spring
15	01664355	1	J, U						PIN, Shift Fork
16	83503516	1	J, U						SPRING, Mode Shift Fork
17	83503512	1	J, U						WASHER, Flat
18	83503514	1	J, U						BUSHING, Shift Rail
19	04638950AB	1	J, U						FORK, Transfer Case Mode Shift
20	04338945	1	J, U						BUSHING, Shift Rail
21	04338945	1	J, U						BUSHING, Shift Rail

LIBERTY (KJ)

SERIES LINE  
P = LIMITED J = JEEP - 4WD  
H = SPORT U = JEEP - 4WD (RHD)  
M = RENEGADE T = JEEP - 2WD

BODY  
74 = SPORT UTILITY 4-DR

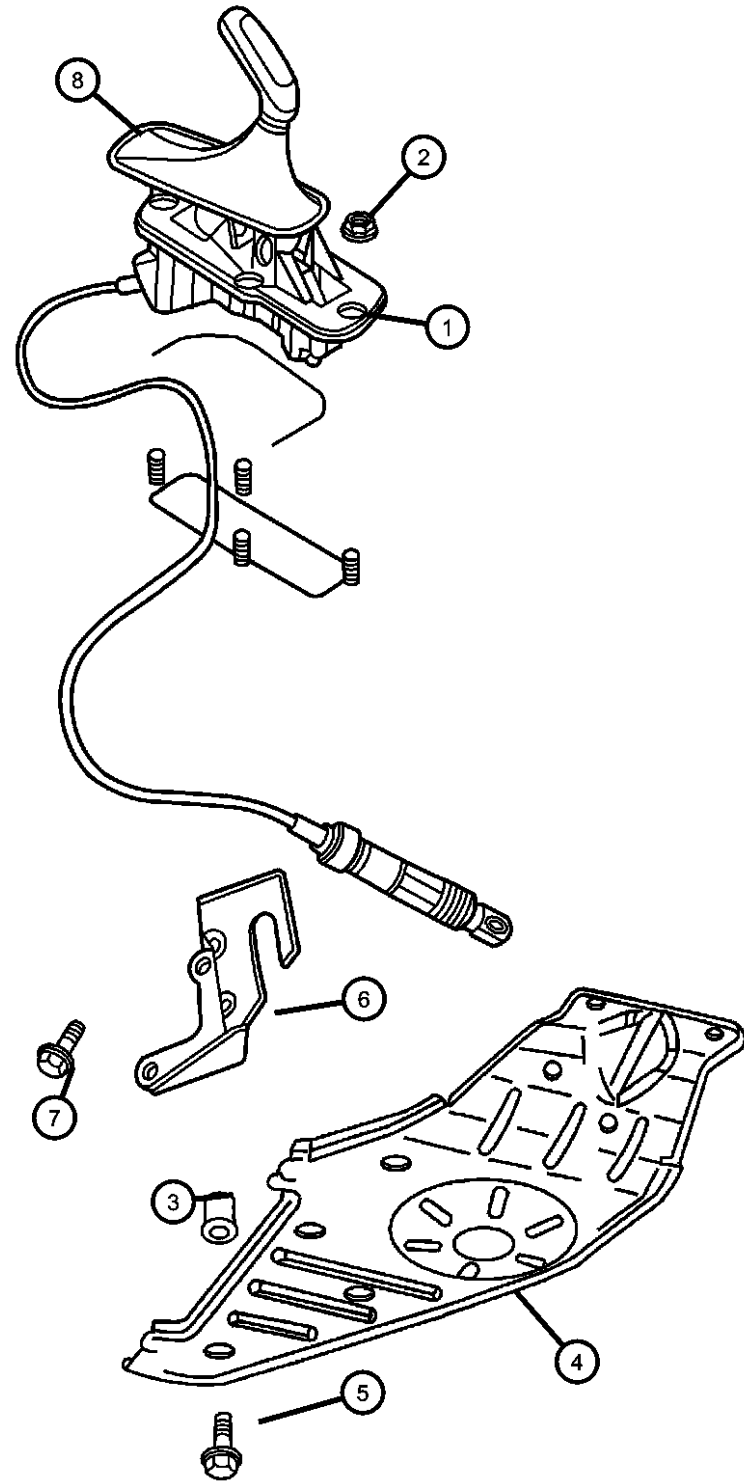
ENGINE  
ED1 = Engine - 2.4L 4 Cyl  
DOHC 16v SMPI  
EKG = Engine - 3.7L V6  
ENR = Engine - 2.8L 4 Cyl  
Turbo Diesel  
ENO = 4CYL turbo diesel

TRANSMISSION  
DGQ = Transmission-5-Spd Automatic  
5-45RFE  
DG6 = Transmission-4-Spd.  
Automatic, 42RLE  
DEH = Transmission-6-Speed Manual,  
NSG370  
DG0 = Transmissions - All Automatic  
DBB = ALL MANUAL  
TRANSMISSIONS

AR = use ase required - = Non illustrated part

2005 KJ

**Gearshift**  
**Figure 242-1210**



ITEM	PART NUMBER	QTY	LINE	SERIES	BODY	ENGINE	TRANS	TRIM	DESCRIPTION
------	-------------	-----	------	--------	------	--------	-------	------	-------------

NOTE: Sales Codes  
[DBB] = All Manual Transmissions  
[DG0] = All Automatic Transmissions

1	52129243AB	1	J, U						SHIFTER, Transfer Case
2	34201358	4							NUT AND WASHER, Hex Nut-Sealing Washer, M6 x 1.00 RIVET
3	06506644AA	4	J, U						PLATE, Transfer Case Skid
4	52129091AA	1	J, U						SCREW, Hex Head
5	06506027AA	4	J, U						BRACKET, Shifter
6									
	52128954AA	1	J, U				DG6		
	52128955AA	1	J, U				DGQ		
	52128956AA	1	J, U				DBB		
7	06101752	3	J, U				DG0		SCREW AND WASHER, Hex Head, M10x1.5x28
8	52109709AD	1	J, U						BOOT, Gearshift

**LIBERTY (KJ)**

SERIES      LINE  
P = LIMITED    J = JEEP - 4WD  
H = SPORT      U = JEEP - 4WD (RHD)  
M = RENEGADE   T = JEEP - 2WD

BODY  
74 = SPORT UTILITY 4-DR

ENGINE  
ED1 = Engine - 2.4L 4 Cyl  
DOHC 16v SMPI  
EKG = Engine - 3.7L V6  
ENR = Engine - 2.8L 4 Cyl  
Turbo Diesel  
ENO = 4CYL turbo diesel

TRANSMISSION  
DGQ = Transmission-5-Spd Automatic  
5-45RFE  
DG6 = Transmission-4-Spd.  
Automatic, 42RLE  
DEH = Transmission-6-Speed Manual,  
NSG370  
DG0 = Transmissions - All Automatic  
DBB = ALL MANUAL  
TRANSMISSIONS

AR = use ase required - = Non illustrated part

2005 KJ

# Group - 22

## Wheels, Covers and Jacks

### Group - 22 Wheels, Covers and Jacks

Illustration Title

Group-Fig. No.

#### Wheels and Hardware

Wheels and Hardware ..... Fig. 22 - 110  
 Spare Tire Bracket ..... Fig. 22 - 120

#### Wheel Covers and Center Caps

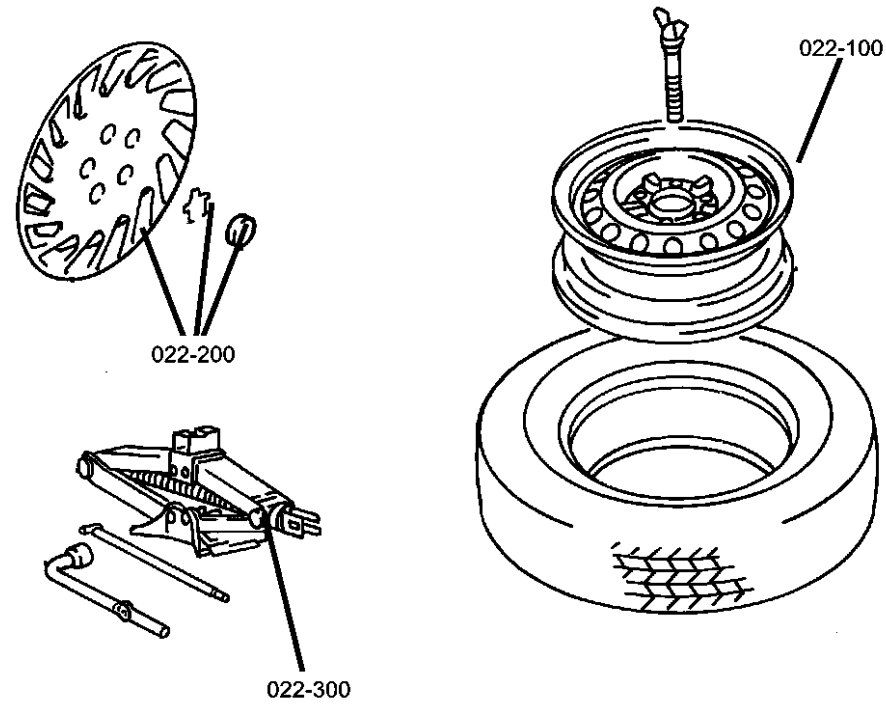
Wheel Caps ..... Fig. 22 - 210


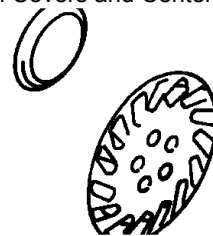
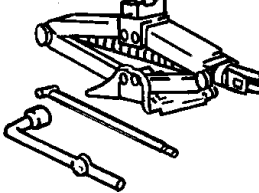
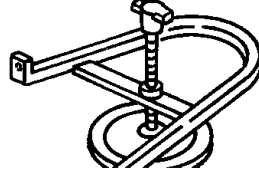
#### Jack Stowage

Jack and Hardware ..... Fig. 22 - 310

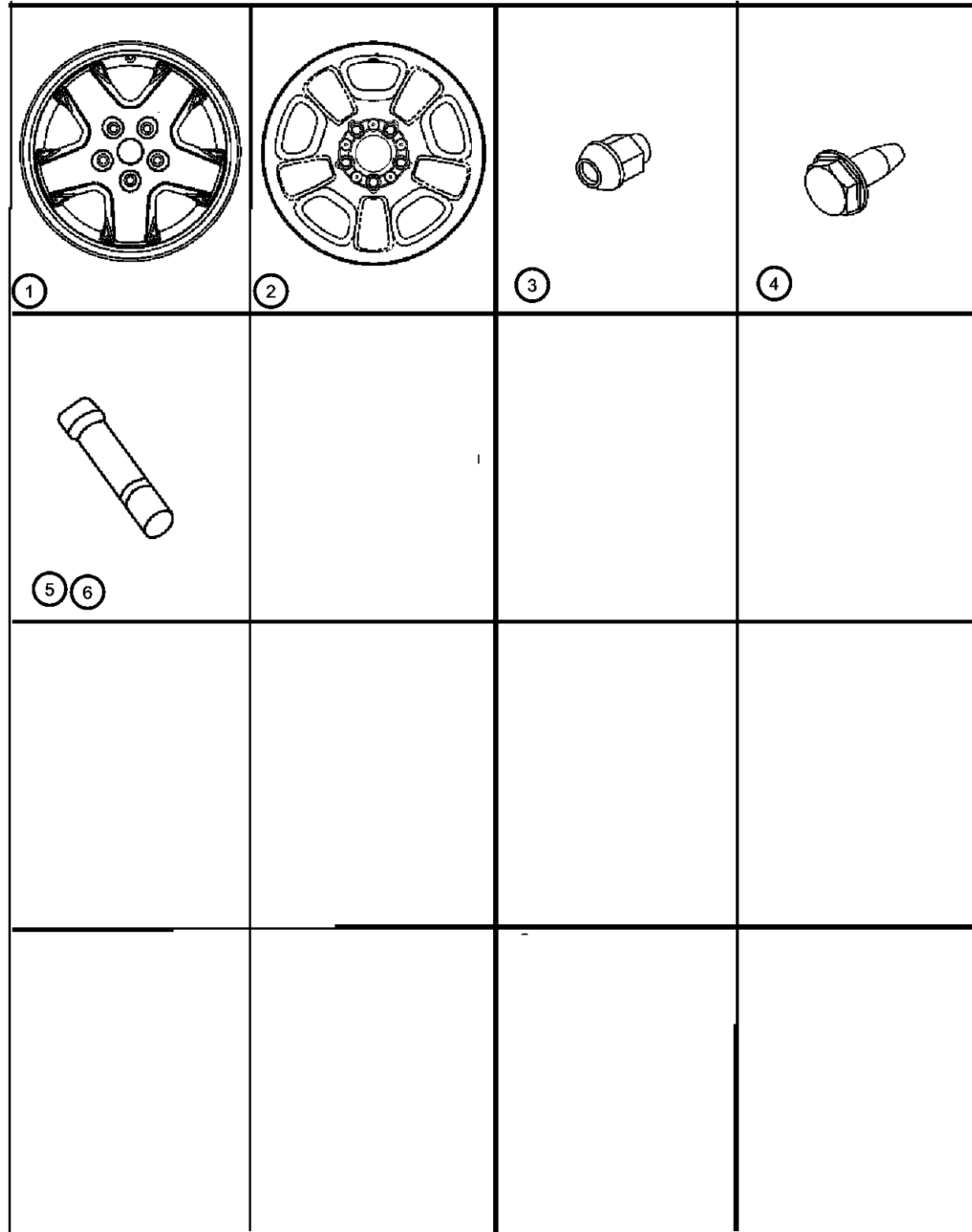
#### Spare Tire Stowage

Spare Wheel ..... Fig. 22 - 410  
 Spare Wheel, Export ..... Fig. 22 - 420



<p><b>022-100</b> Wheels and Hardware</p> 	<p><b>022-200</b> Wheel Covers and Center Caps</p> 	<p><b>022-300</b> Jack Stowage</p> 	<p><b>022-400</b> Spare Tire Stowage</p> 
---	--	---	--

**Wheels and Hardware**  
**Figure 22-110**



ITEM	PART NUMBER	QTY	LINE	SERIES	BODY	ENGINE	TRANS	TRIM	DESCRIPTION
------	-------------	-----	------	--------	------	--------	-------	------	-------------

Note; Sales Codes

[WGQ]= 17x7.5 Aluminum

[WLD,WLC]= 16x7 Lux Aluminum

1	1BX27PAKAA	1							WHEEL, Aluminum
	52109979AA	4							[WKB+WDR]
	52128674AA	4							[WGX]
	5GK75PAKAC	4							[WGW]
	5GK75ZDRAC	4							[WNH]
	5GL67PAKAE	4							[WDN]
	5HW90PAKAB	4							[WLD]
	5JX82CDMAA	4							[WGQ]
									[WDU]
2	5GL64S4AAA	4							WHEEL, Steel
	5GL65S4AAC	4							[WNP]
									[WLC]
3	06036310AA	20							NUT, Wheel, .50x20
4	06506476AA	12							SCREW, Hex Flange Head, M4.8x1.59x11.00
		3							[WLC], Center Hub Cap To Wheel
		12							[WLC+WKB],
		3							[WNP]
		3							[WNP+WKB]
5	02073355	4							STEM, Wheel Valve
6	56053030AB	1							SENSOR, Tire Pressure, Valve stem, [XGM] [LAB]
7	56053033AA	4							NUT, Tire Pressure Sensor

**LIBERTY (KJ)**

SERIES      LINE  
P = LIMITED      J = JEEP - 4WD  
H = SPORT      U = JEEP - 4WD (RHD)  
M = RENEGADE      T = JEEP - 2WD

BODY  
74 = SPORT UTILITY 4-DR

ENGINE  
ED1 = Engine - 2.4L 4 Cyl  
DOHC 16v SMPI  
EKG = Engine - 3.7L V6  
ENR = Engine - 2.8L 4 Cyl  
Turbo Diesel  
ENO = 4CYL turbo diesel

TRANSMISSION  
DGQ = Transmission-5-Spd Automatic  
5-45RFE  
DG6 = Transmission-4-Spd.  
Automatic, 42RLE  
DEH = Transmission-6-Speed Manual,  
NSG370  
DG0 = Transmissions - All Automatic  
DBB = ALL MANUAL  
TRANSMISSIONS

AR = use ase required - = Non illustrated part

2005 KJ

**Spare Tire Bracket  
Figure 22-120**

ITEM	PART NUMBER	QTY	LINE	SERIES	BODY	ENGINE	TRANS	TRIM	DESCRIPTION
------	-------------	-----	------	--------	------	--------	-------	------	-------------

NOTES: Sales Codes:  
[TBR] = Outside Tire Carrier  
[XJC] = Locking Lug Nuts

1	06036310AA	20							NUT, Wheel, .50x20
2	52088515	1							NUT, Lock, .50-20
3	55155933AC	1							BRACKET, Spare Tire

**LIBERTY (KJ)**

SERIES	LINE
P = LIMITED	J = JEEP - 4WD
H = SPORT	U = JEEP - 4WD (RHD)
M = RENEGADE	T = JEEP - 2WD

BODY  
74 = SPORT UTILITY 4-DR

ENGINE  
ED1 = Engine - 2.4L 4 Cyl  
DOHC 16v SMPI  
EKG = Engine - 3.7L V6  
ENR = Engine - 2.8L 4 Cyl  
Turbo Diesel  
ENO = 4CYL turbo diesel

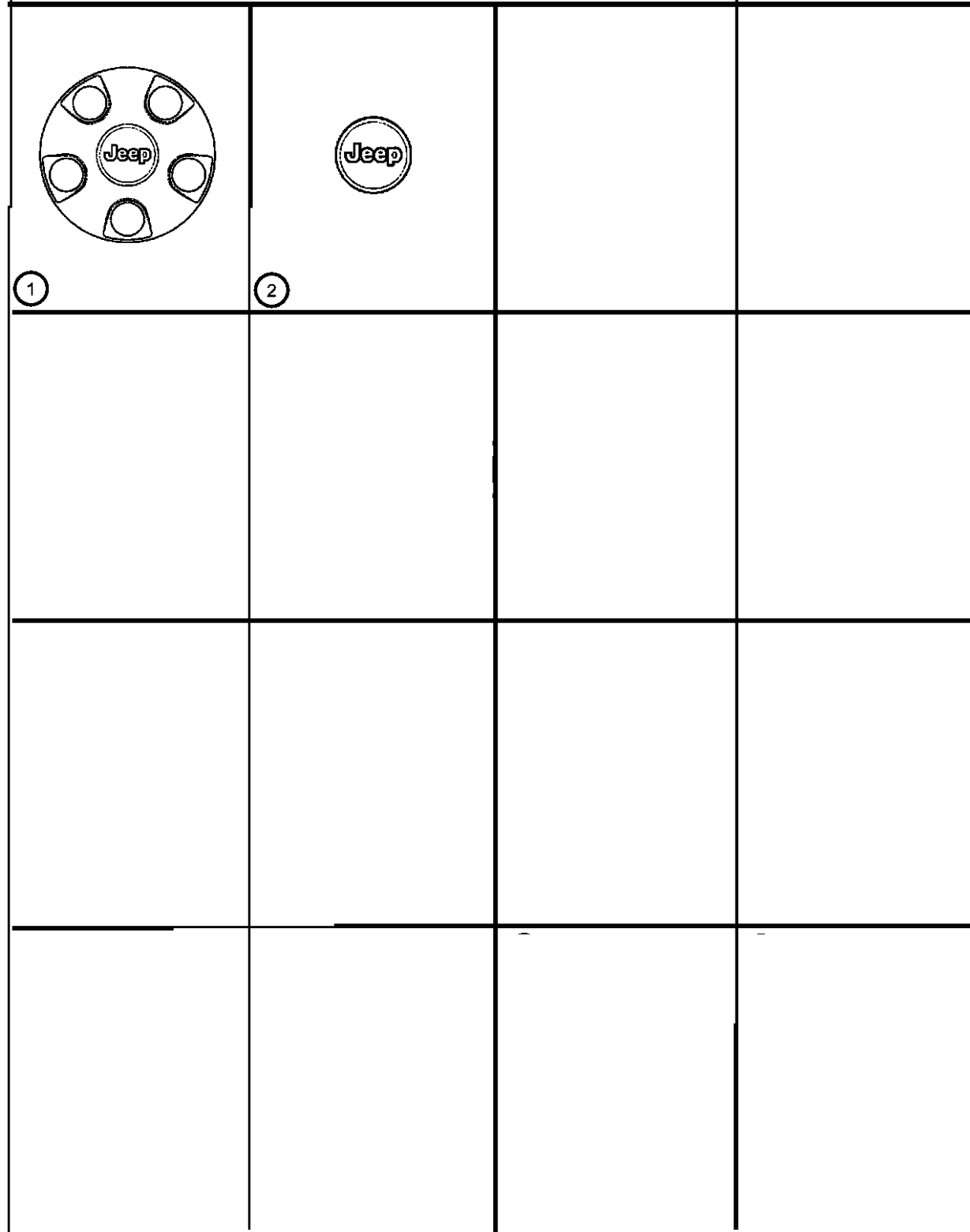
TRANSMISSION  
DGQ = Transmission-5-Spd Automatic  
5-45RFE  
DG6 = Transmission-4-Spd.  
Automatic, 42RLE  
DEH = Transmission-6-Speed Manual,  
NSG370  
DG0 = Transmissions - All Automatic  
DBB = ALL MANUAL  
TRANSMISSIONS

AR = use ase required - = Non illustrated part

2005 KJ



Wheel Caps  
Figure 22-210



ITEM	PART NUMBER	QTY	LINE	SERIES	BODY	ENGINE	TRANS	TRIM	DESCRIPTION
------	-------------	-----	------	--------	------	--------	-------	------	-------------

Note; Sales Codes  
 [WLD,WLC]= 16x7 Lux Aluminum  
 [WND]= 16x7 Cast Aluminum  
 [WGR]= 17x7.5 Cast Aluminum  
 [WGQ]= 17x7.5 Aluminum  
 [WGX] = 17X7.0 Aluminum Chrome Clad

1									CAP, Wheel Center
	52090401AA	1							[WKB+WGX]
	52128525AA	1							[WGW,WKB]
	5GL69S4AAA	4							[WLC,WNP]
	5HT59CD-MAA	1							[WDU+WKB]
2									CAP, Wheel Center
	52059522AA	4							[WND,WDN,WFM,WDR]
		4							[WGQ]

LIBERTY (KJ)

SERIES      LINE  
 P = LIMITED      J = JEEP - 4WD  
 H = SPORT      U = JEEP - 4WD (RHD)  
 M = RENEGADE      T = JEEP - 2WD

BODY  
 74 = SPORT UTILITY 4-DR

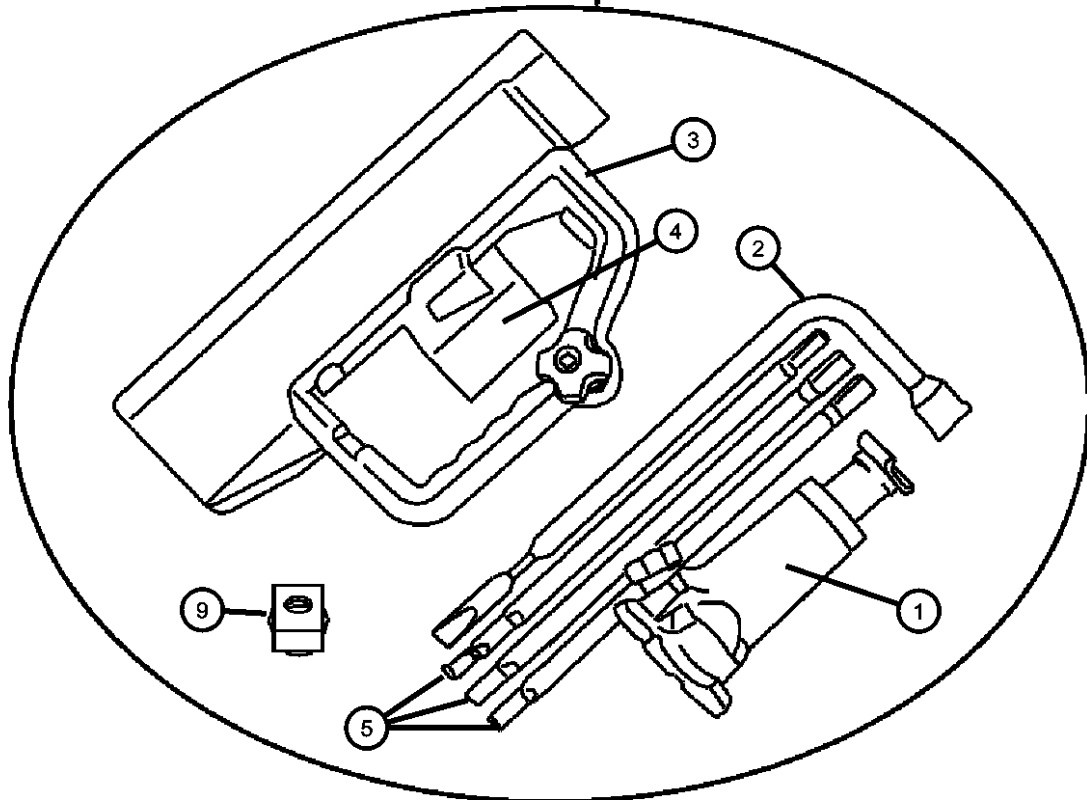
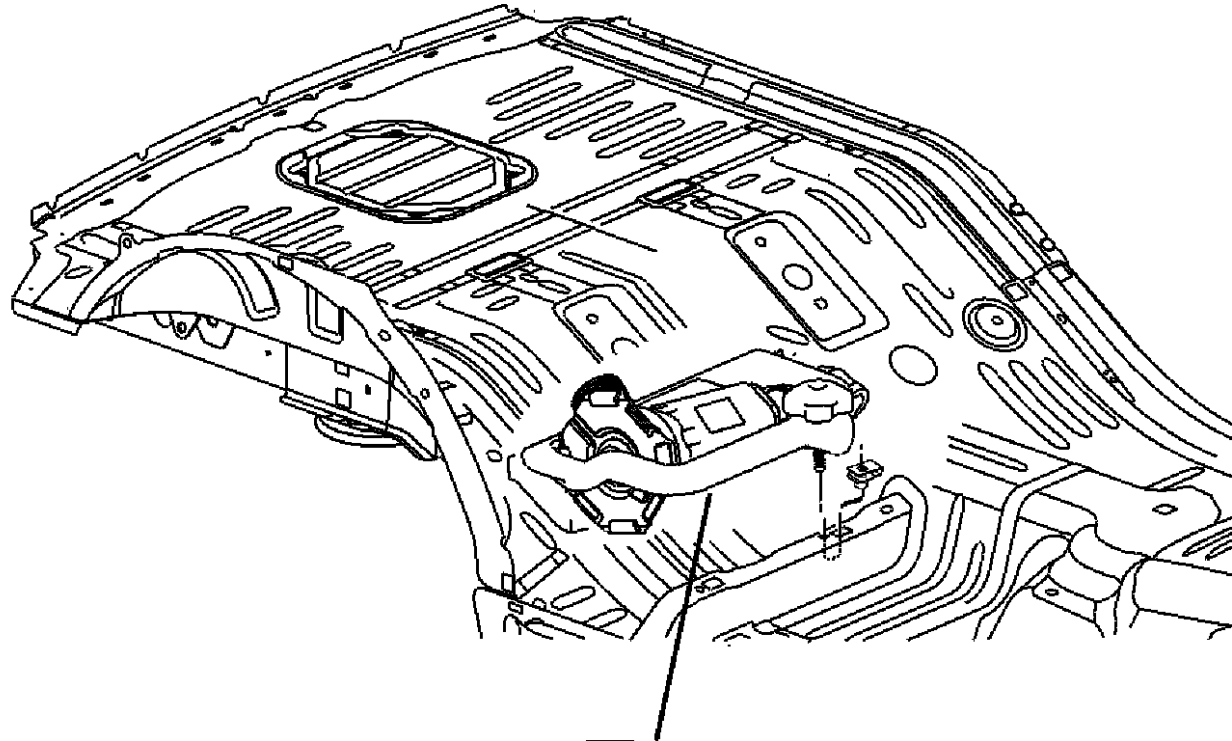
ENGINE  
 ED1 = Engine - 2.4L 4 Cyl  
 DOHC 16v SMPI  
 EKG = Engine - 3.7L V6  
 ENR = Engine - 2.8L 4 Cyl  
 Turbo Diesel  
 ENO = 4CYL turbo diesel

TRANSMISSION  
 DGQ = Transmission-5-Spd Automatic  
 5-45RFE  
 DG6 = Transmission-4-Spd.  
 Automatic, 42RLE  
 DEH = Transmission-6-Speed Manual,  
 NSG370  
 DG0 = Transmissions - All Automatic  
 DBB = ALL MANUAL  
 TRANSMISSIONS

AR = use ase required - = Non illustrated part

2005 KJ

Jack and Hardware  
Figure 22-310



ITEM	PART NUMBER	QTY	LINE	SERIES	BODY	ENGINE	TRANS	TRIM	DESCRIPTION
1	55366626AA	1							JACK, Scissor Type
2	52059478AA	1							WRENCH, Wheel Lug Nut
3	52129757AB	1							BRACKET AND LOCATOR, Jack Stowage
4	52110391AB	1							LABEL, Jack Caution
5	05093510AA	1							EXTENSION KIT, JACK HANDLE
-6	55352852AA	1							TOOL SET
-7	52129395AA	1							TOOL KIT, Jack
-8	06035073	4							RIVET, Blind, .190x.670
9	06101283	1							U-NUT, M8x1.25, Jack & Tool Assy. to Body

LIBERTY (KJ)

SERIES      LINE  
P = LIMITED      J = JEEP - 4WD  
H = SPORT      U = JEEP - 4WD (RHD)  
M = RENEGADE      T = JEEP - 2WD

BODY  
74 = SPORT UTILITY 4-DR

ENGINE  
ED1 = Engine - 2.4L 4 Cyl DOHC 16v SMPI  
EKG = Engine - 3.7L V6  
ENR = Engine - 2.8L 4 Cyl Turbo Diesel  
ENO = 4CYL turbo diesel

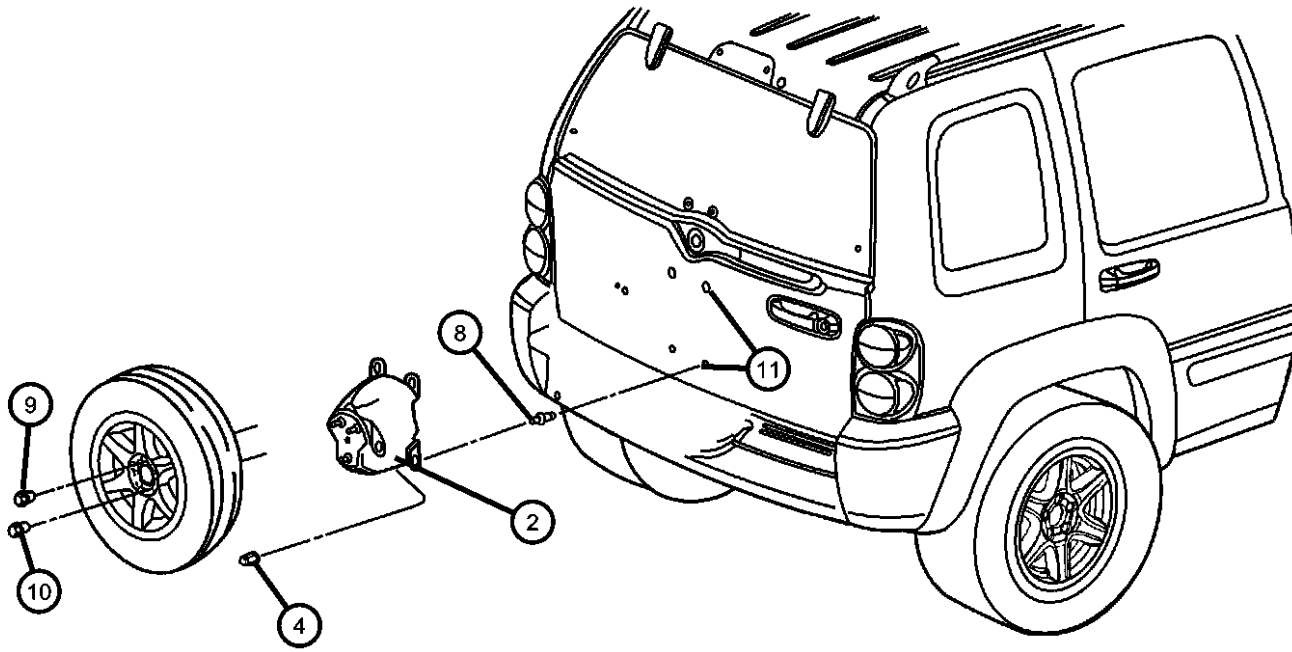
TRANSMISSION  
DGQ = Transmission-5-Spd Automatic 5-45RFE  
DG6 = Transmission-4-Spd. Automatic, 42RLE  
DEH = Transmission-6-Speed Manual, NSG370  
DG0 = Transmissions - All Automatic  
DBB = ALL MANUAL TRANSMISSIONS

AR = use ase required - = Non illustrated part

2005 KJ

Spare Wheel  
Figure 22-410

ITEM	PART NUMBER	QTY	LINE	SERIES	BODY	ENGINE	TRANS	TRIM	DESCRIPTION
Note; Sales Codes [WND]= 16x7 Cast Aluminum [WLD]= 16x7 Lux Aluminum [WGR]= 17x7.5 Cast Aluminum [WGQ]= 17x7.5 Aluminum									
-1									BRACKET, License Plate
	5HF06RXFAJ	1	J, U	H, P					
	5HF06RXFAK	1	J, U	M					
2	55155933AC	1							BRACKET, Spare Tire
-3	55360585AA	2							GASKET, Spare Tire Bracket
4	06507799AA	4							NUT, Wheel
-5									WHEEL, Aluminum
	5GL67PAKAE	1							[WLD]
	5GL67PAKAF	1							[WDR]
	5JX82CDMAA	4							[WDU]
-6									COVER, Spare Tire
	5JG141X7AC	1							[CSA]
	5JG711X7AA	1							[CSB]
-7									WHEEL, Steel
	5GL64S4AAA	1							[WNP]
	5GL65S4AAC	1							[WLC]
8									STUD
	06507016AA	AR							Repair Outside Spare Tire Carrier
	06507623AA	AR							
9	06036310AA	3							NUT, Wheel, .50x20
10	52088515	1							NUT, Lock, .50-20, Outside Spare Tire
11	55360618AA	2							BRACKET, Spare Tire Reinforcement



LIBERTY (KJ)

SERIES LINE  
P = LIMITED J = JEEP - 4WD  
H = SPORT U = JEEP - 4WD (RHD)  
M = RENEGADE T = JEEP - 2WD

BODY  
74 = SPORT UTILITY 4-DR

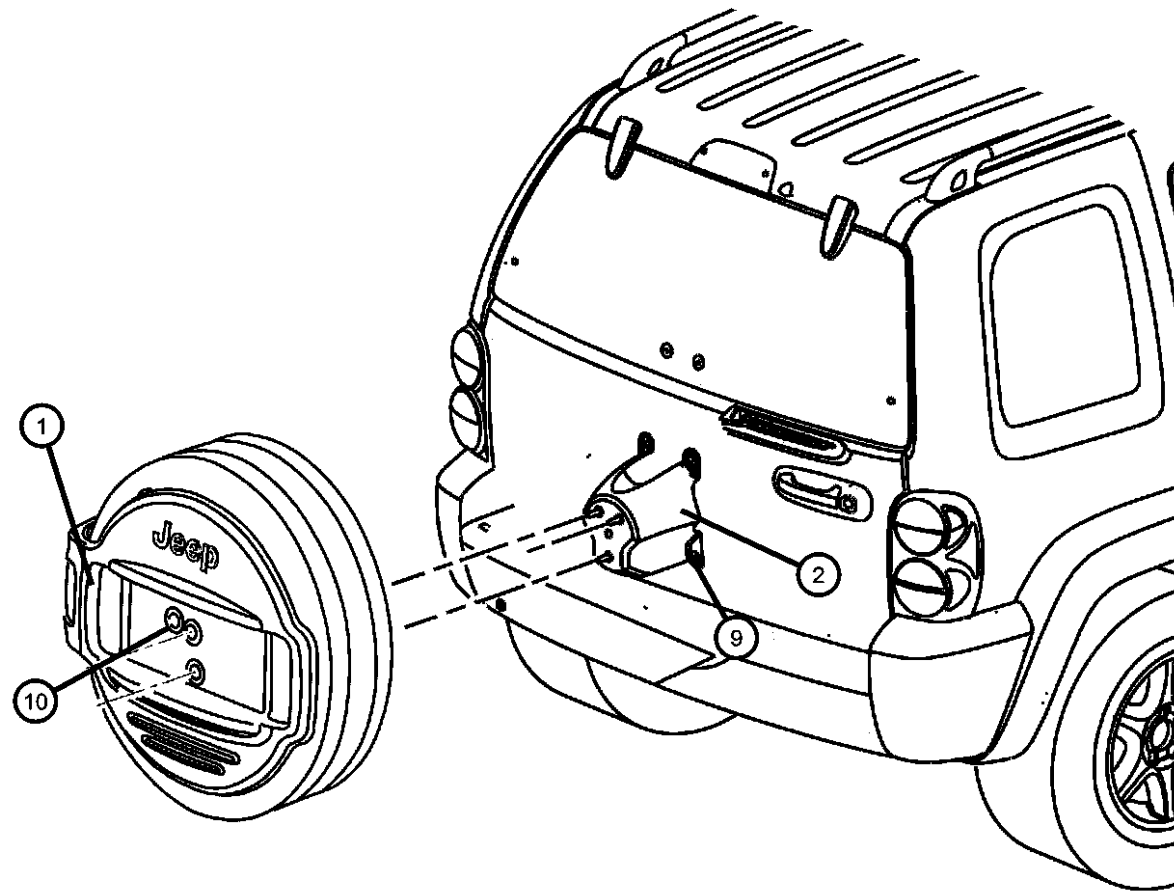
ENGINE  
ED1 = Engine - 2.4L 4 Cyl DOHC 16v SMPI  
EKG = Engine - 3.7L V6  
ENR = Engine - 2.8L 4 Cyl Turbo Diesel  
ENO = 4CYL turbo diesel

TRANSMISSION  
DGQ = Transmission-5-Spd Automatic 5-45RFE  
DG6 = Transmission-4-Spd. Automatic, 42RLE  
DEH = Transmission-6-Speed Manual, NSG370  
DG0 = Transmissions - All Automatic  
DBB = ALL MANUAL TRANSMISSIONS

AR = use ase required - = Non illustrated part

2005 KJ

Spare Wheel, Export  
Figure 22-420



ITEM	PART NUMBER	QTY	LINE	SERIES	BODY	ENGINE	TRANS	TRIM	DESCRIPTION
1									BRACKET, License Plate
	5HF06RXFAK	1	J, U	H, P					
		1	J, U	M					
2	55155933AC	1							BRACKET, Spare Tire
-3	06036303AA	2	J, U						NUT, .50-20
-4	06036310AA	2							NUT, Wheel, .50x20
-5									WHEEL, Aluminum
	5GL67PAKAE	1							[WLD]
	5GL67PAKAF	1							[WDR]
	5JX82CDMAA	1							[WDU]
-6	5GL64S4AAA	1							WHEEL, Steel
-7									COVER, Spare Tire
	5JG141X7AC	1							[CSA]
	5JG711X7AA	1							[CSB]
-8	06035201	1	J, U						RIVET
9	06507799AA	4							NUT, Wheel
10	06506429AA	2	J, U						SCREW, M8x1.25x21
-11	05127789AA	1	J, U	H, P					LICENSE PLATE, Package, Includes 2-palnuts and Repair Instructions

LIBERTY (KJ)

SERIES      LINE  
P = LIMITED      J = JEEP - 4WD  
H = SPORT      U = JEEP - 4WD (RHD)  
M = RENEGADE      T = JEEP - 2WD

BODY  
74 = SPORT UTILITY 4-DR

ENGINE  
ED1 = Engine - 2.4L 4 Cyl  
DOHC 16v SMPI  
EKG = Engine - 3.7L V6  
ENR = Engine - 2.8L 4 Cyl  
Turbo Diesel  
ENO = 4CYL turbo diesel

TRANSMISSION  
DGQ = Transmission-5-Spd Automatic  
5-45RFE  
DG6 = Transmission-4-Spd.  
Automatic, 42RLE  
DEH = Transmission-6-Speed Manual,  
NSG370  
DG0 = Transmissions - All Automatic  
DBB = ALL MANUAL  
TRANSMISSIONS

AR = use ase required - = Non illustrated part

2005 KJ

# Group - 23D

## Wiper/Lock Cylinder and Keys

### Group - 23D Wiper/Lock Cylinder and Keys

Illustration Title

Group-Fig. No.

#### Lock Cylinders and Keys

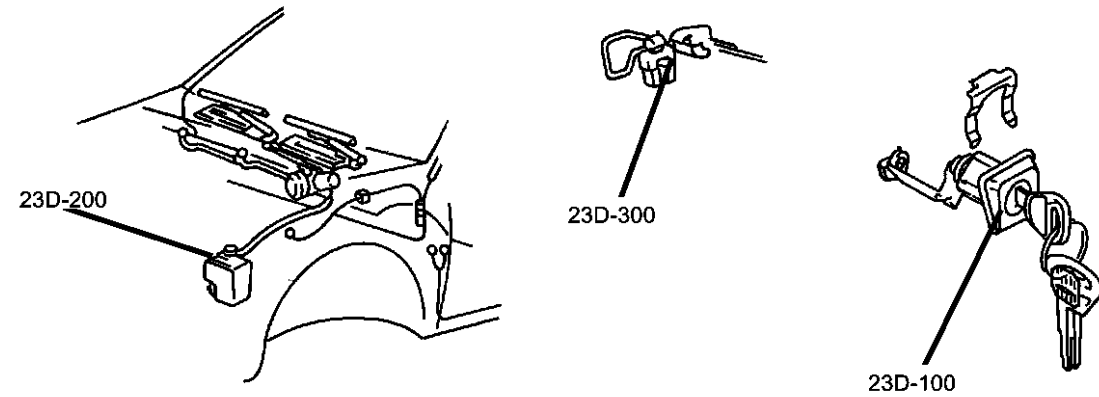
Lock Cylinder and Keys..... Fig. 23D - 111

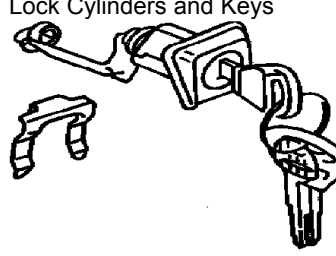
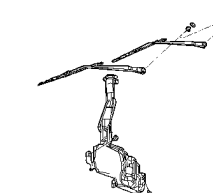

#### Windshield Wiper and Washer Systems

Windshield Wiper and Washer ..... Fig. 23D - 210

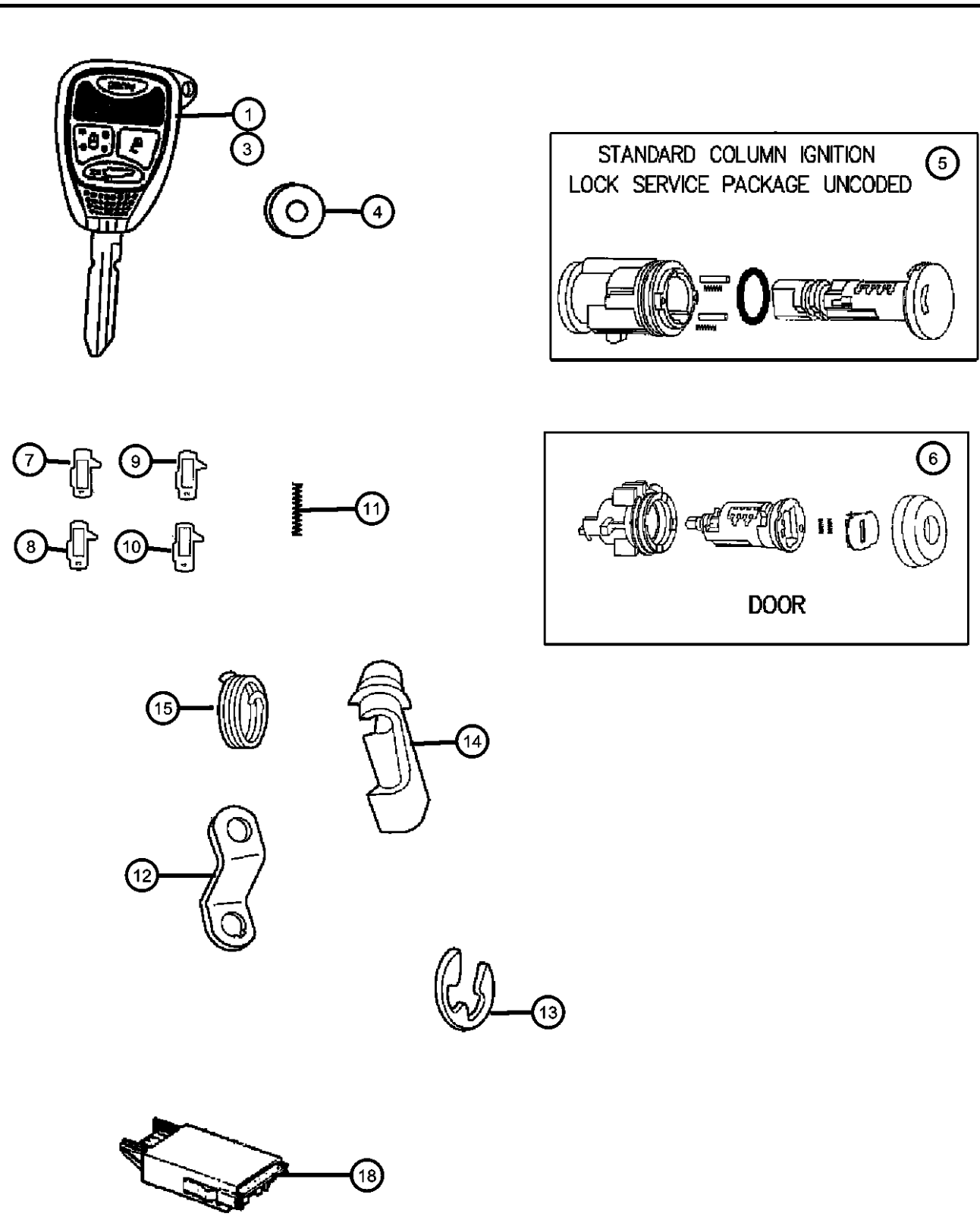
#### Rear Wiper and Washer System

Rear Wiper and Washer ..... Fig. 23D - 310



<p><b>23D-100</b> Lock Cylinders and Keys</p> 	<p><b>23D-200</b> Windshield Wiper and Washer Systems</p> 	<p><b>23D-300</b> Rear Wiper and Washer System</p> 	
--	---	---	--

**Lock Cylinder and Keys  
Figure 23D-111**



ITEM	PART NUMBER	QTY	LINE	SERIES	BODY	ENGINE	TRANS	TRIM	DESCRIPTION
NOTES: Item #1- Key contains the Transmitter with buttons for keyless entry and alarm.									
1									KEY, BLANK WITH TRANSMITTER
	05139287AA	2	J, T						Jeep Logo 3 Buttons
	05139289AA	2							
	05139290AA	2							
-2	06507946AA	1							SCREW, Lock Cylinder to Handle
3	05143553AA	1							KEY, Blank
4	05066241AA	1							BATTERY, Transmitter
5									CYLINDER, Ignition Lock
	05139207AA	1	J, T						
6	05072294AA	1							CYLINDER, Door Lock
7	04778117	1							TUMBLER, Door and Deck Number 1, Wide, Ignition Also
8	04778118	1							TUMBLER, Door and Deck Number 2, Wide, Ignition Also
9	04778119	1							TUMBLER, Door and Deck Number 3, Wide, Ignition Also
10	04778120	1							TUMBLER, Door and Deck Number 4, Wide, Ignition Also
11	04778121	1							SPRING, Door and Deck Tumbler, Ignition Also
12	05071039AA	1							LEVER, Door Lock, Ignition Also
13									RETAINER, Lock Rod
	05071063AA	1							Right Door
	05071155AA	1							Left Door
14	05071155AA	1							CLIP, Retainer, (NOT SERVICED)
15	05071155AA	1							SPRING, Lock Cylinder Return, (NOT SERVICED)
-16	05071201AA	1							SPACER, Lock Cylinder
-17									BRACKET, Door Inside
	55360636AA	1	J, T						Right Front Door
	55360659AA	1	J, T						Swing Gate
18									CONTROL MODULE, Receiver

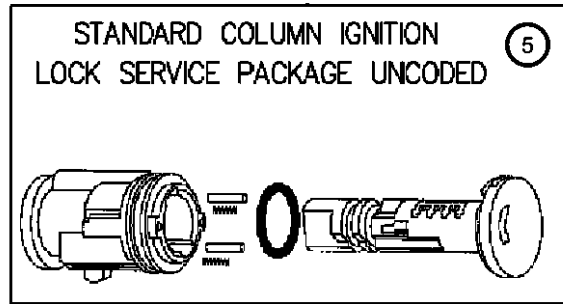
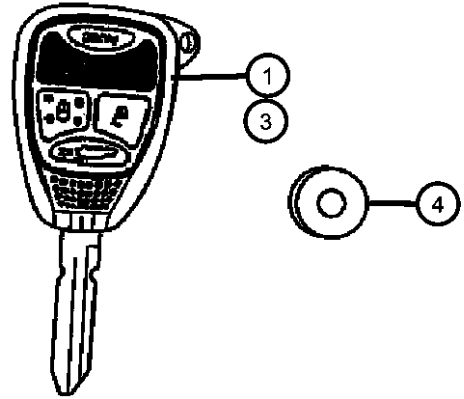
**LIBERTY (KJ)**

SERIES	LINE	BODY	ENGINE	TRANSMISSION
P = LIMITED	J = JEEP - 4WD	74 = SPORT UTILITY 4-DR	ED1 = Engine - 2.4L 4 Cyl DOHC 16v SMPI	DGQ = Transmission-5-Spd Automatic 5-45RFE
H = SPORT	U = JEEP - 4WD (RHD)		EKG = Engine - 3.7L V6	DG6 = Transmission-4-Spd. Automatic, 42RLE
M = RENEGADE	T = JEEP - 2WD		ENR = Engine - 2.8L 4 Cyl Turbo Diesel	DEH = Transmission-6-Speed Manual, NSG370
			ENO = 4CYL turbo diesel	DG0 = Transmissions - All Automatic
				DBB = ALL MANUAL TRANSMISSIONS

AR = use ase required - = Non illustrated part

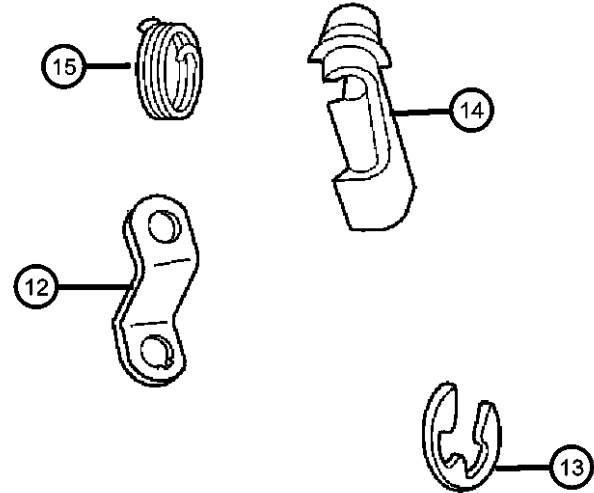
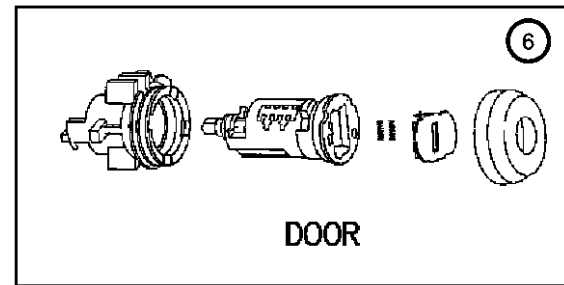
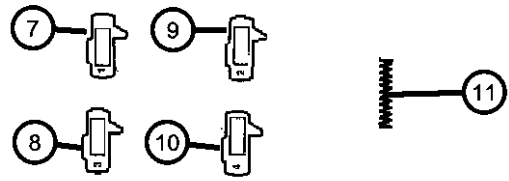
Lock Cylinder and Keys  
Figure 23D-111

ITEM	PART NUMBER	QTY	LINE	SERIES	BODY	ENGINE	TRANS	TRIM	DESCRIPTION
------	-------------	-----	------	--------	------	--------	-------	------	-------------



56053014AF 1  
56053020AF 1

GXX+GXW+XGM



LIBERTY (KJ)

SERIES LINE  
P = LIMITED J = JEEP - 4WD  
H = SPORT U = JEEP - 4WD (RHD)  
M = RENEGADE T = JEEP - 2WD

BODY  
74 = SPORT UTILITY 4-DR

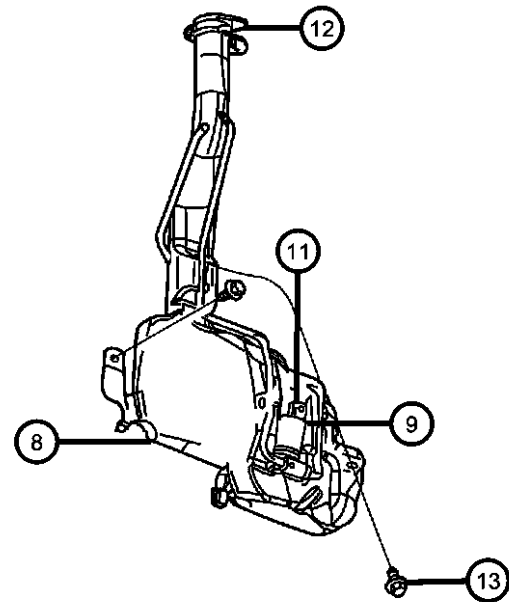
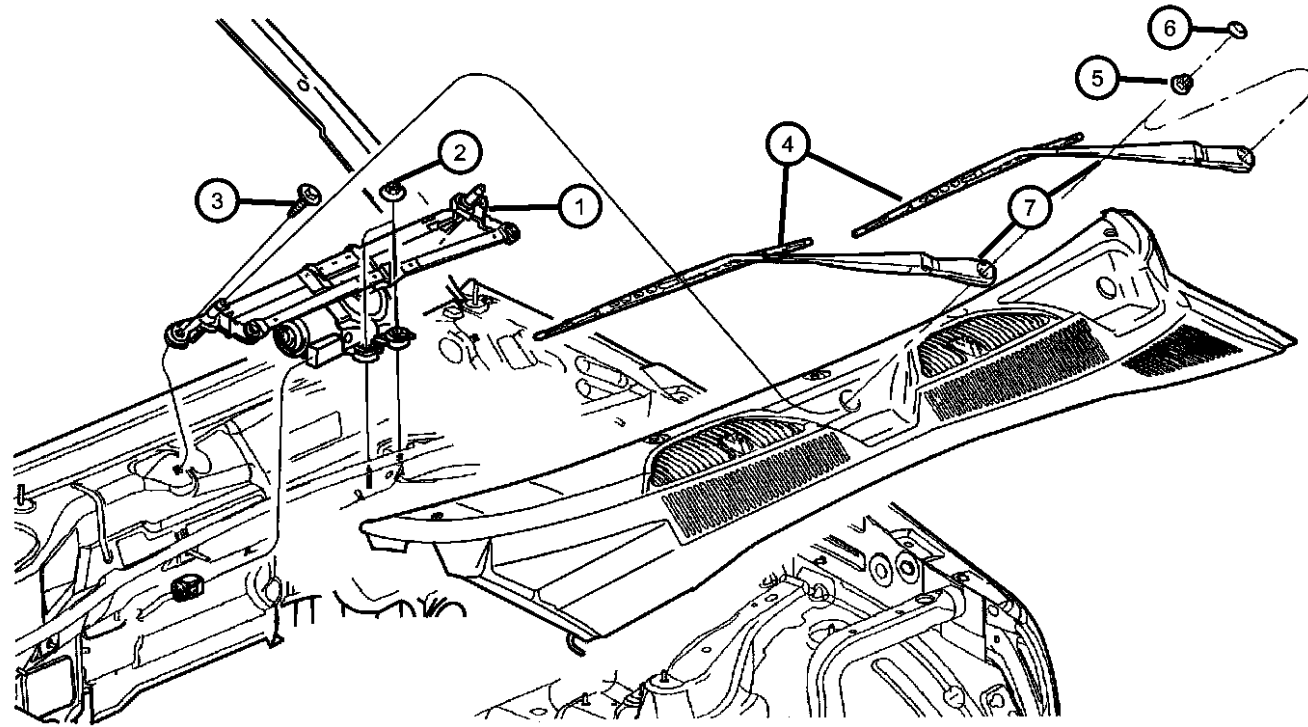
ENGINE  
ED1 = Engine - 2.4L 4 Cyl  
DOHC 16v SMPI  
EKG = Engine - 3.7L V6  
ENR = Engine - 2.8L 4 Cyl  
Turbo Diesel  
ENO = 4CYL turbo diesel

TRANSMISSION  
DGQ = Transmission-5-Spd Automatic  
5-45RFE  
DG6 = Transmission-4-Spd.  
Automatic, 42RLE  
DEH = Transmission-6-Speed Manual,  
NSG370  
DG0 = Transmissions - All Automatic  
DBB = ALL MANUAL  
TRANSMISSIONS

AR = use ase required - = Non illustrated part

2005 KJ

**Windshield Wiper and Washer  
Figure 23D-210**



ITEM	PART NUMBER	QTY	LINE	SERIES	BODY	ENGINE	TRANS	TRIM	DESCRIPTION
1									MODULE, Wiper
	55155894AE	1	U						
	55155895AE	1	J, T						
2	34201358	2							NUT AND WASHER, Hex Nut-Sealing Washer, M6 x 1.00, M6x1.00
3	34201358	2							SCREW, Hex Flange Head, M6x1.00x35.00, (NOT SERVICED)
4									BLADE, Wiper
	05066973AA	1	U						RHD, DRIVER SIDE (RIGHT) AFTER 01-21-05
	05066974AA	1	U						RIGHT & LEFT WITHOUT SPOILER UP TO 01-21-05
	WBFLAT02AA								Mopar Alternative Flat Blade Set
	WBW00019AD								Mopar Alternative Winter Wiper Blades
	WB000019AE								Mopar V-Line Alternative Part
5	06503335	2							NUT, Hex, M10X1.25
6	55155765AA	2							CAP, Wiper Arm Nut
7									ARM, Wiper
	05066968AA	1	J						Europe, Left
	05066969AA	1	U						, Left
	05066970AA	1	J, T						UP TO 01-21-05, Right
	05175406AA	1	J, T						AFTER 01-21-05
	05175407AA	1	J, T						Left
8	05161320AA	1							RESERVOIR, Washer
9	05161319AA	1							PUMP, Windshield Washer, Dual Outlet
-10	05152030AA	1							GROMMET, Windshield Washer Pump
11	05161400AA	1							SENSOR, Washer Fluid Level
12	05161321AA	1							CAP, Washer Reservoir
13	06034716	2							SCREW AND WASHER, Hex Flange Head, .25-14x.875
-14	HWV00532AB	1							HOSE 1FT, Windshield Washer, 5/32"
-15									NOZZLE, Washer, Windshield
	55155854AB	2	U						

**LIBERTY (KJ)**

SERIES      LINE  
P = LIMITED      J = JEEP - 4WD  
H = SPORT      U = JEEP - 4WD (RHD)  
M = RENEGADE      T = JEEP - 2WD

BODY  
74 = SPORT UTILITY 4-DR

ENGINE  
ED1 = Engine - 2.4L 4 Cyl DOHC 16v SMPI  
EKG = Engine - 3.7L V6  
ENR = Engine - 2.8L 4 Cyl Turbo Diesel  
ENO = 4CYL turbo diesel

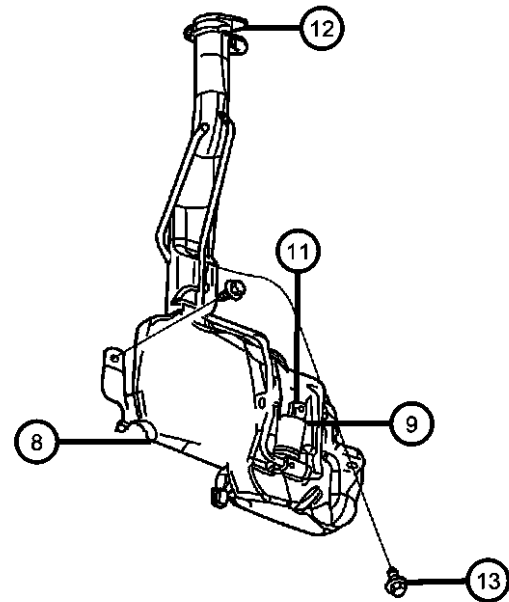
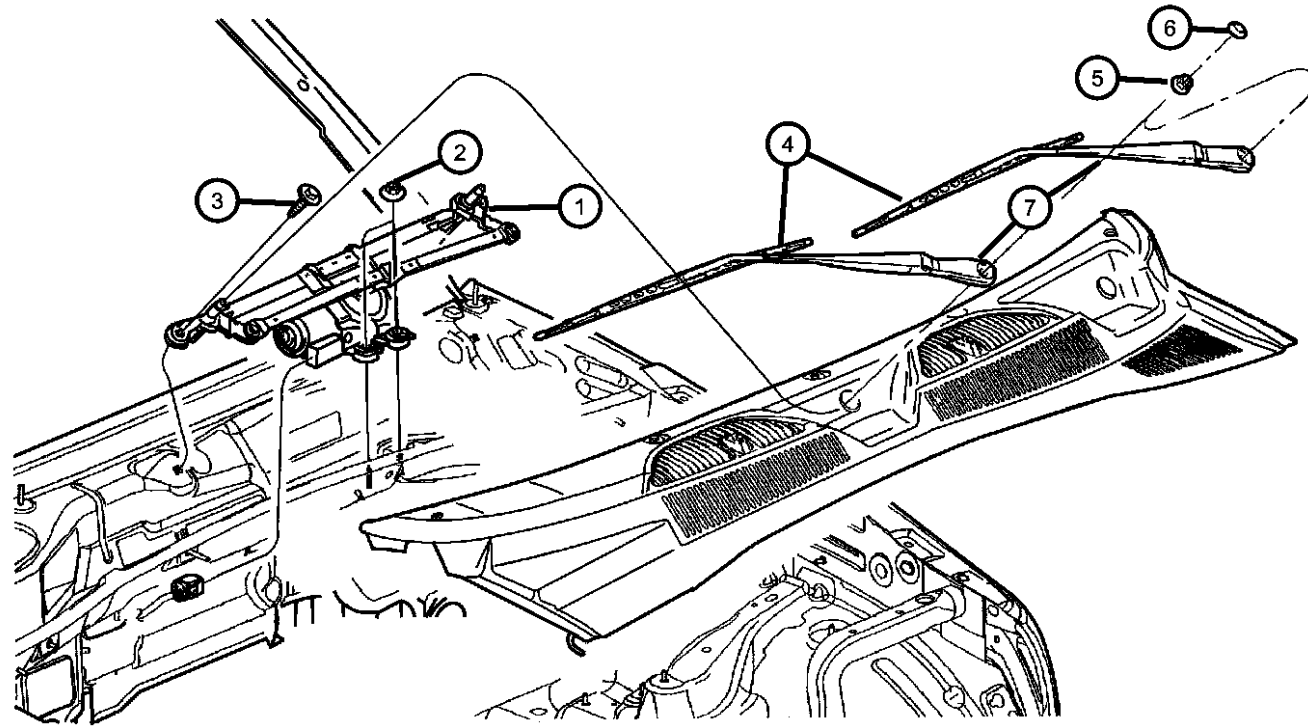
TRANSMISSION  
DGQ = Transmission-5-Spd Automatic 5-45RFE  
DG6 = Transmission-4-Spd. Automatic, 42RLE  
DEH = Transmission-6-Speed Manual, NSG370  
DG0 = Transmissions - All Automatic  
DBB = ALL MANUAL TRANSMISSIONS

AR = use ase required - = Non illustrated part



**Windshield Wiper and Washer  
Figure 23D-210**

ITEM	PART NUMBER	QTY	LINE	SERIES	BODY	ENGINE	TRANS	TRIM	DESCRIPTION
-16		2	J, T						HOSE, Washer Reservoir
	55155892AC	1	U						
		1	J, T						
-17	04778097	1							GROMMET, WIPER FRAME
-18	06036456AA	1							RIVET, Wiper Cap to Core Support
-19	05161326AA	1							GROMMET, Washer Level Sensor



**LIBERTY (KJ)**

SERIES      LINE  
P = LIMITED      J = JEEP - 4WD  
H = SPORT      U = JEEP - 4WD (RHD)  
M = RENEGADE      T = JEEP - 2WD

BODY  
74 = SPORT UTILITY 4-DR

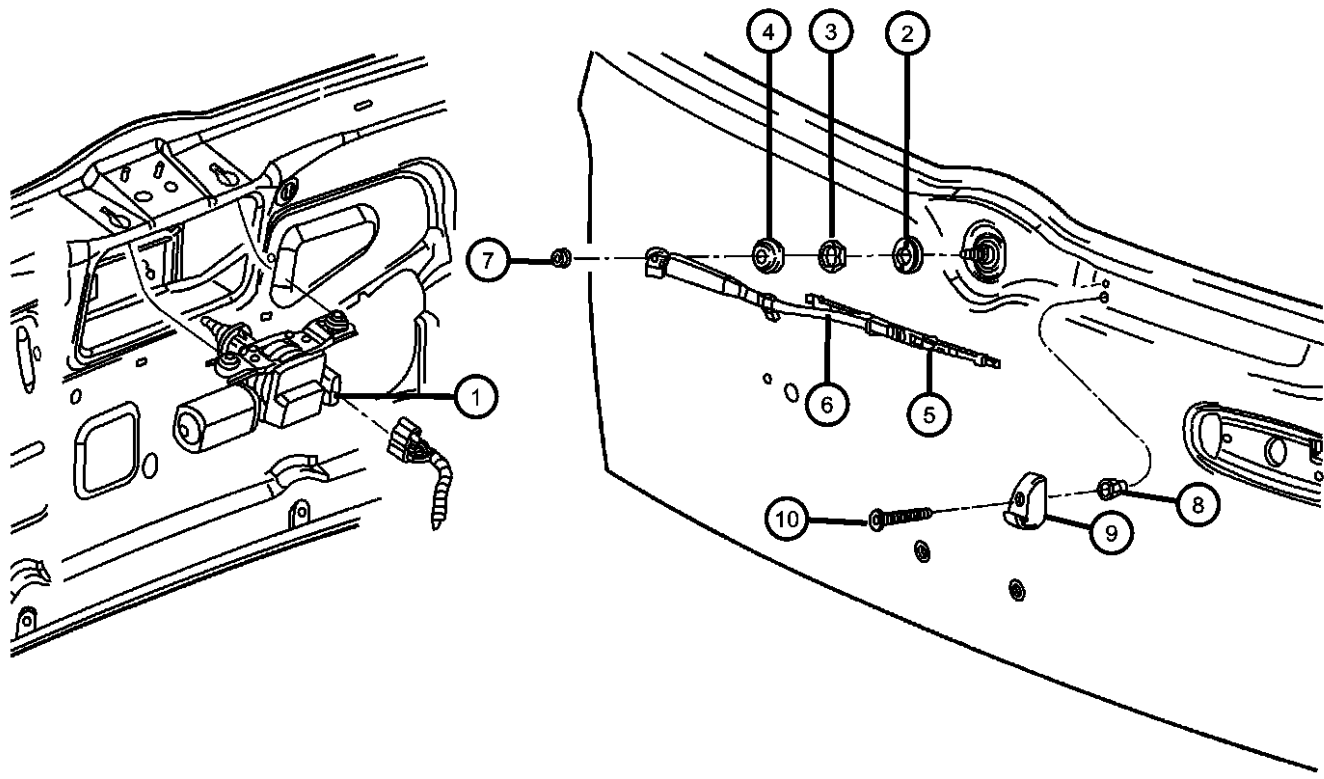
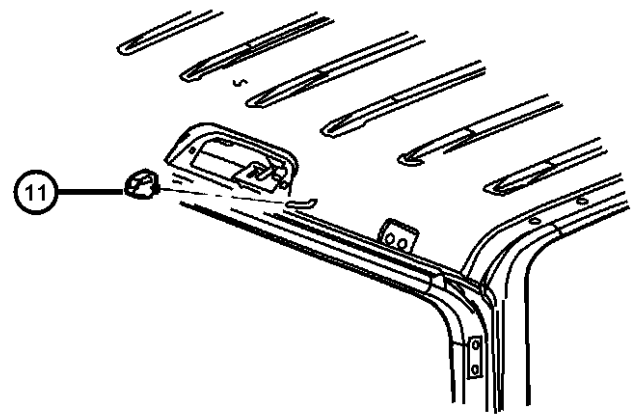
ENGINE  
ED1 = Engine - 2.4L 4 Cyl DOHC 16v SMPI  
EKG = Engine - 3.7L V6  
ENR = Engine - 2.8L 4 Cyl Turbo Diesel  
ENO = 4CYL turbo diesel

TRANSMISSION  
DGQ = Transmission-5-Spd Automatic 5-45RFE  
DG6 = Transmission-4-Spd. Automatic, 42RLE  
DEH = Transmission-6-Speed Manual, NSG370  
DG0 = Transmissions - All Automatic  
DBB = ALL MANUAL TRANSMISSIONS

AR = use ase required - = Non illustrated part

Rear Wiper and Washer  
Figure 23D-310

ITEM	PART NUMBER	QTY	LINE	SERIES	BODY	ENGINE	TRANS	TRIM	DESCRIPTION
1	55155884AB	1							MOTOR, Wiper
2	55155887AB	1							BEZEL, Wiper Motor
3	06507801AA	1							NUT, Hex, M20x1.00
4	55076650	1							COVER, Rear Wiper Motor
5	05066964AB	1							BLADE, Wiper
	WBRW0011AB								Mopar V-Line Alternative Part
6	05066965AA	1							ARM, Liftgate Wiper
7	06500165	1							NUT, Wiper Arm
8	06503245	1							RIVET
9	55155886AA	1							RAMP, Wiper Park
10	06505062AA	1							SCREW, Pilot Point
11	55156158AE	1							NOZZLE, Washer, Windshield
-12	HWV00532AB	1							HOSE 1FT, Windshield Washer, 5/32"
-13	55156260AA	1							CLIP, Hose



LIBERTY (KJ)

SERIES      LINE  
P = LIMITED      J = JEEP - 4WD  
H = SPORT      U = JEEP - 4WD (RHD)  
M = RENEGADE      T = JEEP - 2WD

BODY  
74 = SPORT UTILITY 4-DR

ENGINE  
ED1 = Engine - 2.4L 4 Cyl DOHC 16v SMPI  
EKG = Engine - 3.7L V6  
ENR = Engine - 2.8L 4 Cyl Turbo Diesel  
ENO = 4CYL turbo diesel

TRANSMISSION  
DGQ = Transmission-5-Spd Automatic 5-45RFE  
DG6 = Transmission-4-Spd. Automatic, 42RLE  
DEH = Transmission-6-Speed Manual, NSG370  
DG0 = Transmissions - All Automatic  
DBB = ALL MANUAL TRANSMISSIONS

AR = use ase required - = Non illustrated part

# Group - 24

## Air Conditioning & Heater

### Group - 24 Air Conditioning & Heater

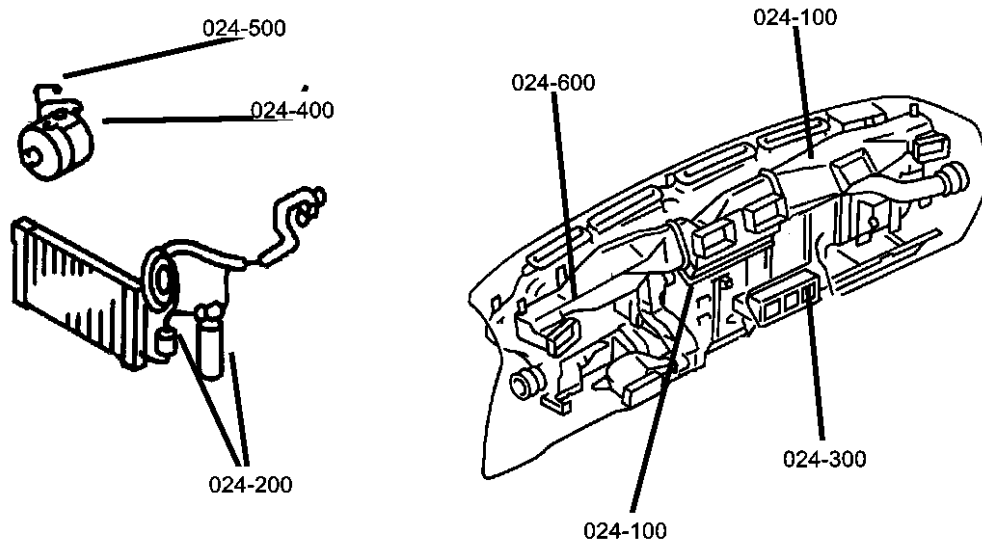


Illustration Title

Group-Fig. No.

#### Air Conditioner and Heater Units

HEVAC Unit.....Fig. 24 - 110

#### Air Conditioner and Heater Plumbing

Plumbing, Heater 2.4L Engine, LHD.....Fig. 24 - 210  
 Plumbing, Heater 2.4L Engine, RHD.....Fig. 24 - 220  
 Plumbing, Heater 3.7L Engine, LHD.....Fig. 24 - 230  
 Plumbing, Heater 3.7L Engine, RHD.....Fig. 24 - 240  
 Plumbing, Heater 2.8L Diesel Engine, LHD.....Fig. 24 - 250  
 Plumbing, Heater 2.8L Diesel Engine, RHD.....Fig. 24 - 260  
 Plumbing, Air Conditioning 2.4L Engine, LHD.....Fig. 24 - 270  
 Plumbing, Air Conditioning 2.4L Engine, RHD.....Fig. 24 - 280  
 Plumbing, Air Conditioning 3.7L Engine, LHD.....Fig. 24 - 285  
 Plumbing, Air Conditioning 3.7L Engine, RHD.....Fig. 24 - 288  
 Plumbing, Air Conditioning 2.8L Diesel Engine, LHD.....Fig. 24 - 290  
 Plumbing, Air Conditioning 2.8L Diesel Engine, RHD.....Fig. 24 - 295

#### Air Conditioner and Heater Controls

Control, Heater and Air Conditioning.....Fig. 24 - 310

#### Air Conditioning Compressor

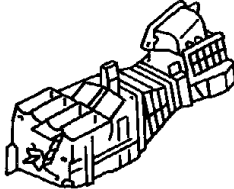
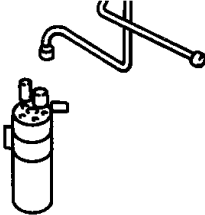
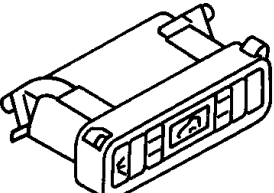
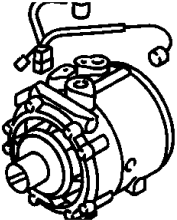
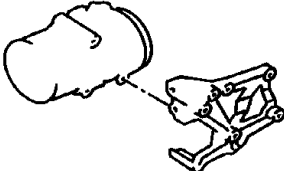
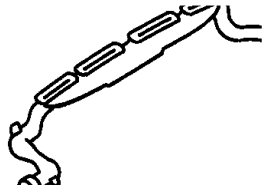
Compressor, 2.4L - 3.7L Engine.....Fig. 24 - 410  
 Compressor, 2.8L Diesel Engine.....Fig. 24 - 430

#### Air Conditioning Compressor Mounting

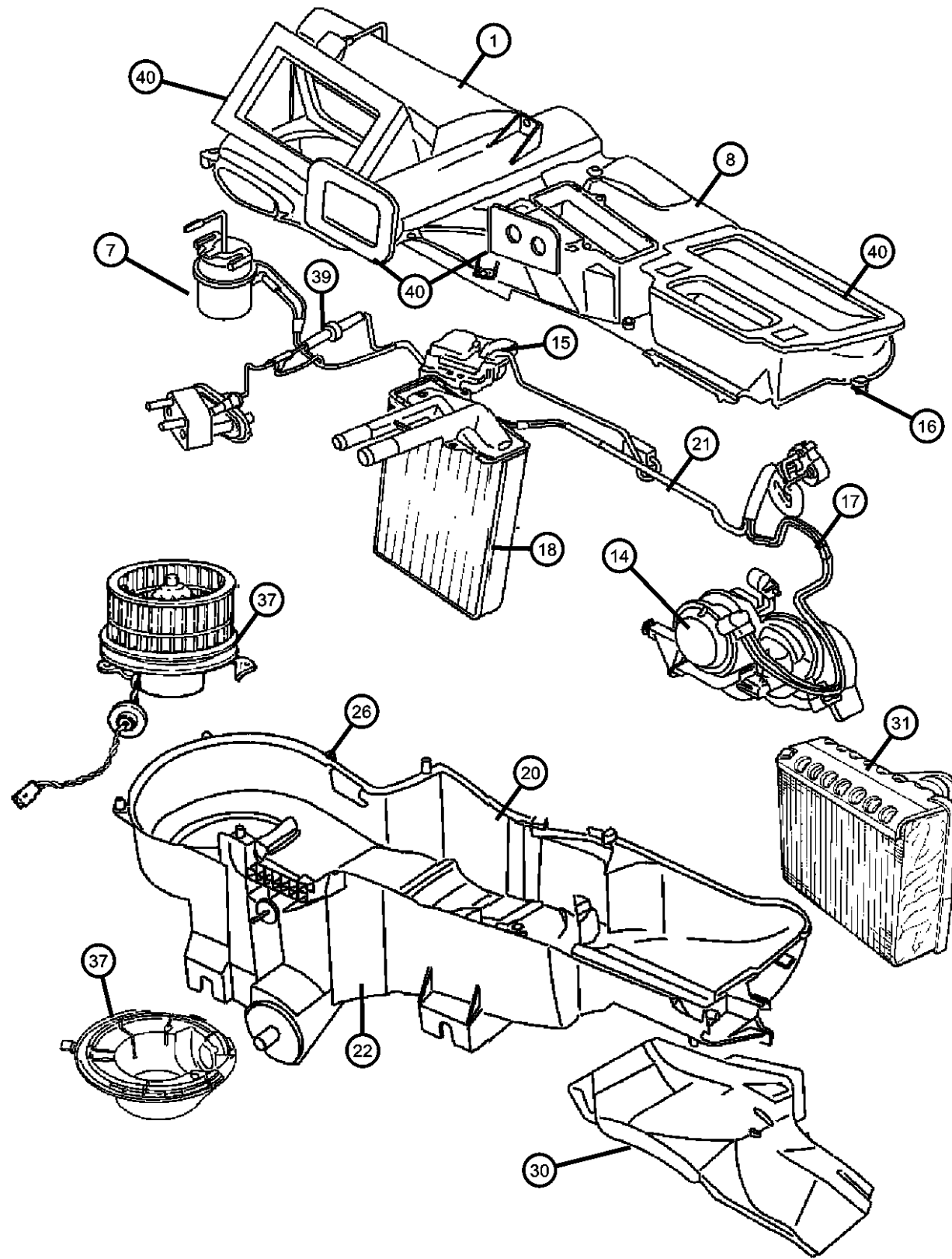
Compressor Mounting, 2.4L - 3.7L Engine.....Fig. 24 - 510  
 Compressor Mounting, 2.8L Diesel Engine.....Fig. 24 - 530

#### Air Ducts and Outlets

Air Distribution Ducts.....Fig. 24 - 610

<p><b>024-100</b> Air Conditioner and Heater Units</p> 	<p><b>024-200</b> Air Conditioner and Heater Plumbing</p> 	<p><b>024-300</b> Air Conditioner and Heater Controls</p> 	<p><b>024-400</b> Air Conditioning Compressor</p> 
<p><b>024-500</b> Air Conditioning Compressor Mounting</p> 	<p><b>024-600</b> Air Ducts and Outlets</p> 		

HEVAC Unit  
Figure 24-110



ITEM	PART NUMBER	QTY	LINE	SERIES	BODY	ENGINE	TRANS	TRIM	DESCRIPTION
1	05066496AA	1	J, T						HOUSING, Air Inlet
-2	05066496AA	1							HOUSING, Air Inlet, (NOT SERVICED)
-3	05066496AA	1							DOOR, Air Inlet, (NOT SERVICED)
-4	05066496AA	1							CAM, Recirculating Door, (NOT SERVICED)
-5	05066496AA	1							LEVER, A/C Recirculation Door, (NOT SERVICED)
-6	05066496AA	1							SEAL, Air Inlet, (NOT SERVICED)
7	05066510AA	1	J, T						ACTUATOR, A/C and Heater
8	05066501AA	1	J, T						HOUSING, A/C Upper
-9	05066501AA	1							HOUSING, A/C Upper, (NOT SERVICED)
-10	05066501AA	1							DOOR, Panel, (NOT SERVICED)
-11	05066501AA	1							LEVER, Panel Door, (NOT SERVICED)
-12	05066501AA	1							SEAL, Evaporator, Tubes To Dash, (NOT SERVICED)
-13	05066501AA	1							SEAL, Defroster To Panel, (NOT SERVICED)
14	05066518AA	1	J, T						ACTUATOR, A/C and Heater, Floor and Defrost Door, Vacuumed Controlled
15	05066519AA	1	J, T						ACTUATOR, A/C and Heater Electric, Up To 12-6-04, Blend Door
	05174382AA	1	J, T						Electric, After 12-6-04,
16	04734227	22	J, T						SCREW, Hex Head, M4.8-1.59x19
17	05066528AA	1	J, T						HARNESS, Jumper
18	05066555AA	1	J, T						CORE, Heater
-19	05066551AA	1	J, T						ISOLATOR, Tube
20	04644388	4	J, T						CLIP, A/C Heater Housing
21	05066531AA	1	J, T						VACUUM HARNESS, Heater and A/C
22	05066532AB	1	J, T						HOUSING, A/C Lower
-23	05066532AB	1							HOUSING, A/C Lower, (NOT SERVICED)
-24	05066532AB	1							STUD, A/C and Heater Housing Mtg., (NOT SERVICED)

LIBERTY (KJ)

SERIES LINE  
P = LIMITED J = JEEP - 4WD  
H = SPORT U = JEEP - 4WD (RHD)  
M = RENEGADE T = JEEP - 2WD

BODY  
74 = SPORT UTILITY 4-DR

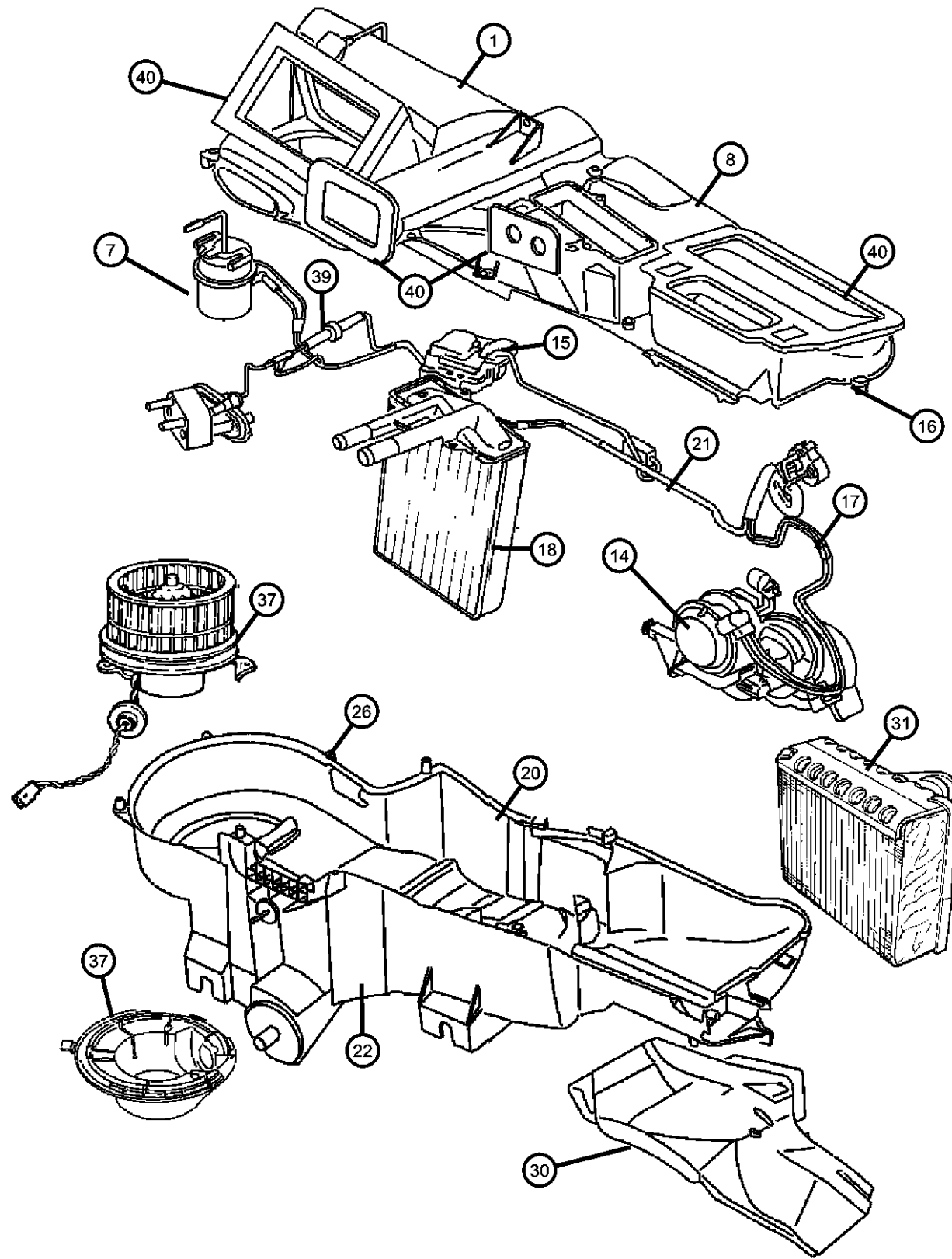
ENGINE  
ED1 = Engine - 2.4L 4 Cyl DOHC 16v SMPI  
EKG = Engine - 3.7L V6  
ENR = Engine - 2.8L 4 Cyl Turbo Diesel  
ENO = 4CYL turbo diesel

TRANSMISSION  
DGQ = Transmission-5-Spd Automatic 5-45RFE  
DG6 = Transmission-4-Spd. Automatic, 42RLE  
DEH = Transmission-6-Speed Manual, NSG370  
DG0 = Transmissions - All Automatic  
DBB = ALL MANUAL TRANSMISSIONS

AR = use ase required - = Non illustrated part

2005 KJ

HEVAC Unit  
Figure 24-110



ITEM	PART NUMBER	QTY	LINE	SERIES	BODY	ENGINE	TRANS	TRIM	DESCRIPTION
-25	05066532AB	1							WASHER, A/C Unit Mounting Stud, (NOT SERVICED)
26	06101712	2							NUT, U, M6x1
-27	06101712	2							DOOR, Blend Air, (NOT SERVICED)
-28	06101712	2							DOOR, A/C and Heater Mode, (NOT SERVICED)
-29	06101712	2							LINK, Blend Door, (NOT SERVICED)
30	05066535AA	1	J, T						DUCT, Floor
31	05066549AB	1	J, T						EVAPORATOR, Air Conditioning
-32	05066549AB	1							LINER, Evaporator, (NOT SERVICED)
-33	05066549AB	1							EVAPORATOR, Air Conditioning, (NOT SERVICED)
-34	05066549AB	1							ISOLATOR, Evaporator Tube, (NOT SERVICED)
-35	55037651AA	1	J, T						TUBE, Evaporator Housing
-36	55037651AA	1							SEAL, Evaporator Tube, (NOT SERVICED)
37									MOTOR, Blower with Wheel
	05139720AA	1	J, T						
	05139721AA	1	U						
-38									RESISTOR, A/C Heater
	05139719AA	1	U						
		1	J, T						
39	04549209	1	J, T						VALVE PACKAGE, Check
40	05071491AA	1	J, T						SEAL KIT, A/C And Heater Unit
-41									HOSE AND VALVE, Vacuum
	55038432AD	1	J, T						Air Conditioning
	55038433AE	1	U						Air Conditioning
-42	06507856AA	1					EK0		SCREW AND WASHER

LIBERTY (KJ)

SERIES LINE  
P = LIMITED J = JEEP - 4WD  
H = SPORT U = JEEP - 4WD (RHD)  
M = RENEGADE T = JEEP - 2WD

BODY  
74 = SPORT UTILITY 4-DR

ENGINE  
ED1 = Engine - 2.4L 4 Cyl DOHC 16v SMPI  
EKG = Engine - 3.7L V6  
ENR = Engine - 2.8L 4 Cyl Turbo Diesel  
ENO = 4CYL turbo diesel

TRANSMISSION  
DGQ = Transmission-5-Spd Automatic 5-45RFE  
DG6 = Transmission-4-Spd. Automatic, 42RLE  
DEH = Transmission-6-Speed Manual, NSG370  
DG0 = Transmissions - All Automatic  
DBB = ALL MANUAL TRANSMISSIONS

AR = use ase required - = Non illustrated part

2005 KJ

Plumbing, Heater 2.4L Engine, LHD  
Figure 24-210

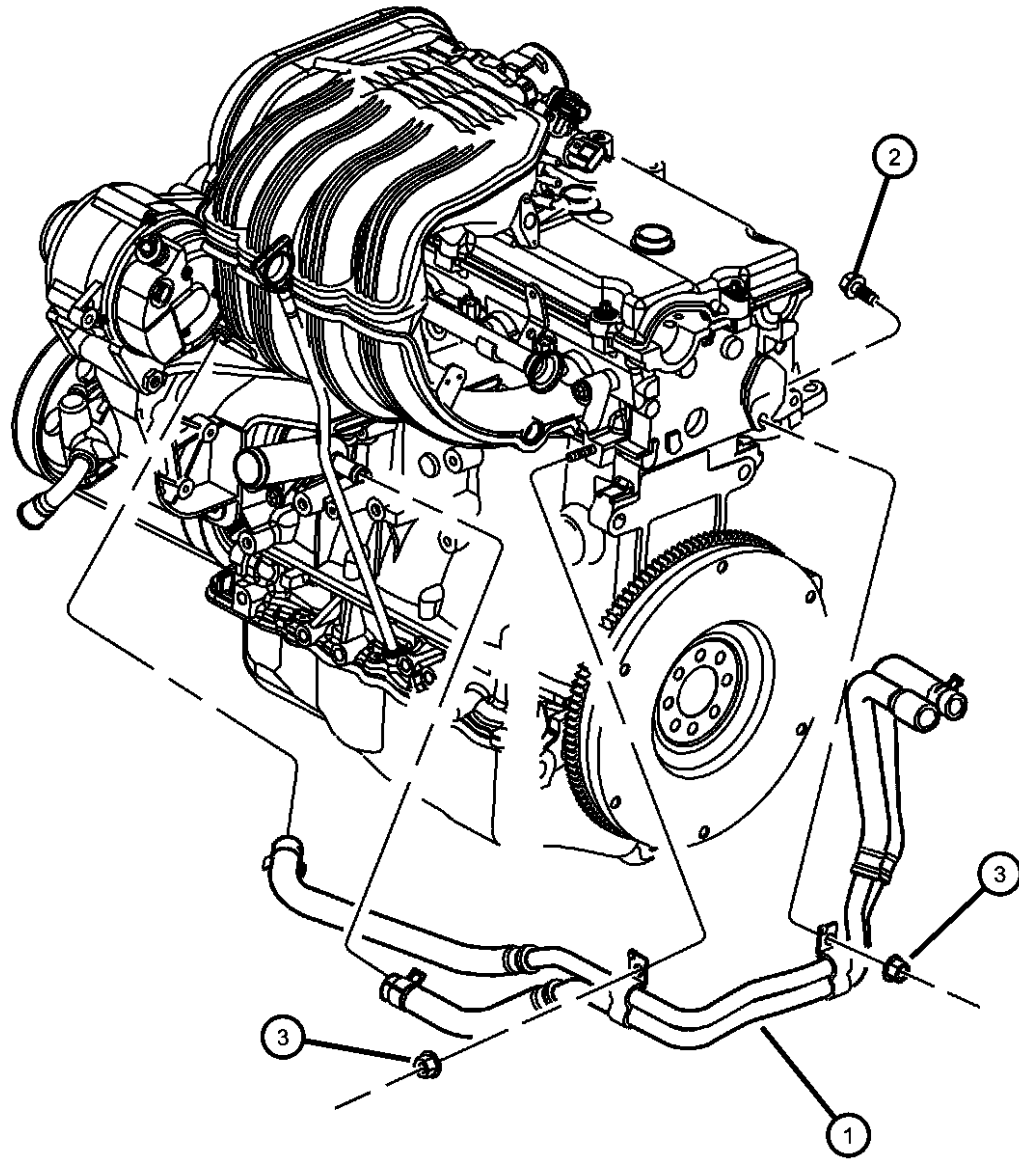
ITEM	PART NUMBER	QTY	LINE	SERIES	BODY	ENGINE	TRANS	TRIM	DESCRIPTION
------	-------------	-----	------	--------	------	--------	-------	------	-------------

NOTE:

Sales Codes:

[ED0]=All 2.4L 4 Cyl. 16-V Engines

1	55038330AE	1	J, T			ED0			HOSE, Heater Supply
2	06501474	6				ED0			BOLT, Hex Head, M8x1.25x16
3	06100051	6							NUT AND WASHER, Hex Nut-Coned Washer, M8 x 1.25



LIBERTY (KJ)

SERIES	LINE
P = LIMITED	J = JEEP - 4WD
H = SPORT	U = JEEP - 4WD (RHD)
M = RENEGADE	T = JEEP - 2WD

BODY
74 = SPORT UTILITY 4-DR

ENGINE
ED1 = Engine - 2.4L 4 Cyl DOHC 16v SMPI
EKG = Engine - 3.7L V6
ENR = Engine - 2.8L 4 Cyl Turbo Diesel
ENO = 4CYL turbo diesel

TRANSMISSION
DGQ = Transmission-5-Spd Automatic 5-45RFE
DG6 = Transmission-4-Spd. Automatic, 42RLE
DEH = Transmission-6-Speed Manual, NSG370
DG0 = Transmissions - All Automatic
DBB = ALL MANUAL TRANSMISSIONS

AR = use ase required - = Non illustrated part

2005 KJ

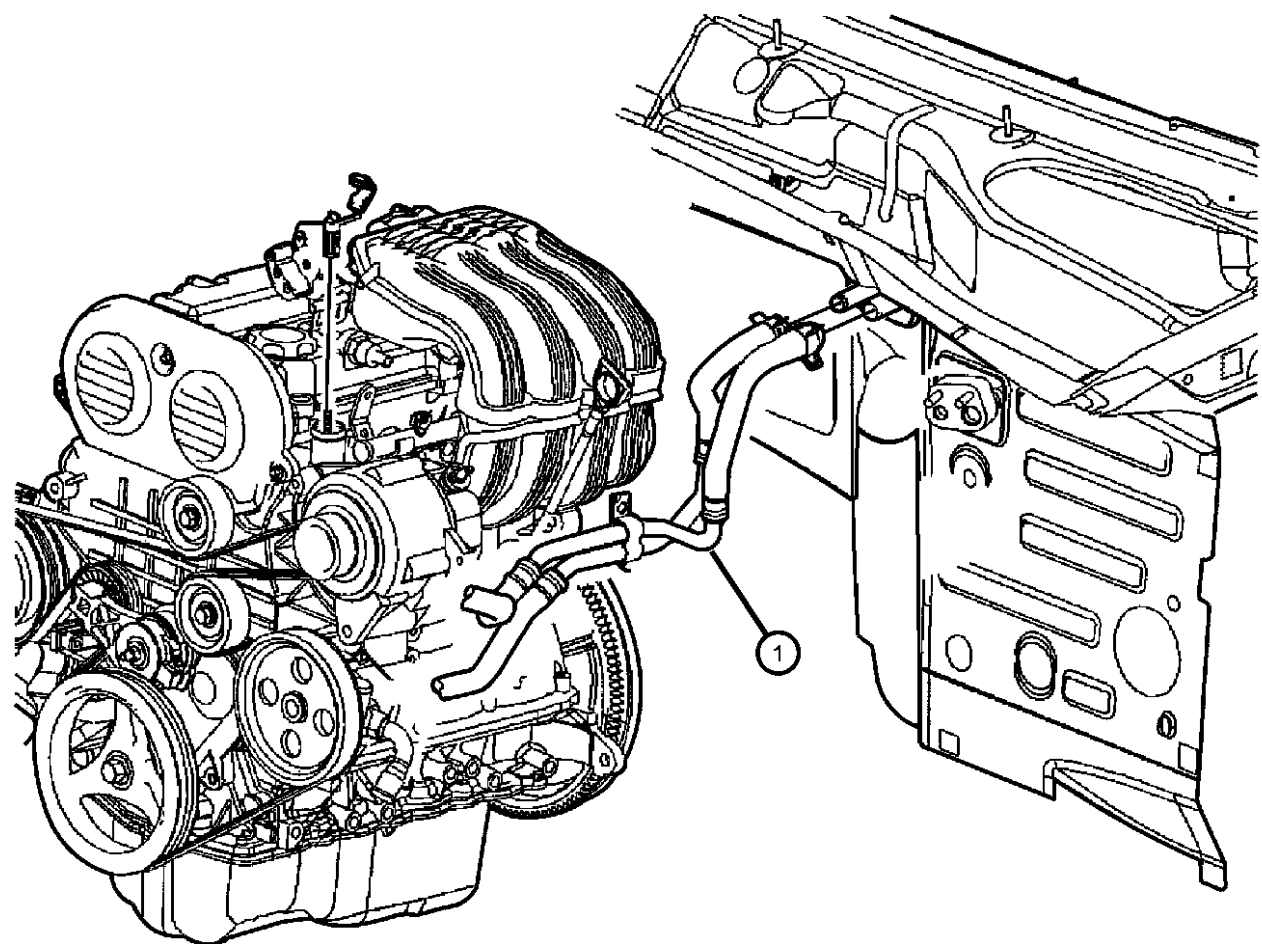
Plumbing, Heater 2.4L Engine, RHD  
Figure 24-220

ITEM	PART NUMBER	QTY	LINE	SERIES	BODY	ENGINE	TRANS	TRIM	DESCRIPTION
------	-------------	-----	------	--------	------	--------	-------	------	-------------

Note: Sales Codes

[ED0]= All 2.2L, 2.5L, 2.4L, 4 Cylinder Gas Engines

1	55038333AE	1	U			ED0			HOSE, Heater Supply
-2	06101445	1				ED0			NUT AND WASHER, Hex Nut-Coned Washer, M8 x 1.25, Hose to Cylinder Head



LIBERTY (KJ)

SERIES LINE  
P = LIMITED J = JEEP - 4WD  
H = SPORT U = JEEP - 4WD (RHD)  
M = RENEGADE T = JEEP - 2WD

BODY  
74 = SPORT UTILITY 4-DR

ENGINE  
ED1 = Engine - 2.4L 4 Cyl  
DOHC 16v SMPI  
EKG = Engine - 3.7L V6  
ENR = Engine - 2.8L 4 Cyl  
Turbo Diesel  
ENO = 4CYL turbo diesel

TRANSMISSION  
DGQ = Transmission-5-Spd Automatic  
5-45RFE  
DG6 = Transmission-4-Spd.  
Automatic, 42RLE  
DEH = Transmission-6-Speed Manual,  
NSG370  
DG0 = Transmissions - All Automatic  
DBB = ALL MANUAL  
TRANSMISSIONS

AR = use ase required - = Non illustrated part

2005 KJ

Plumbing, Heater 3.7L Engine, LHD  
Figure 24-230

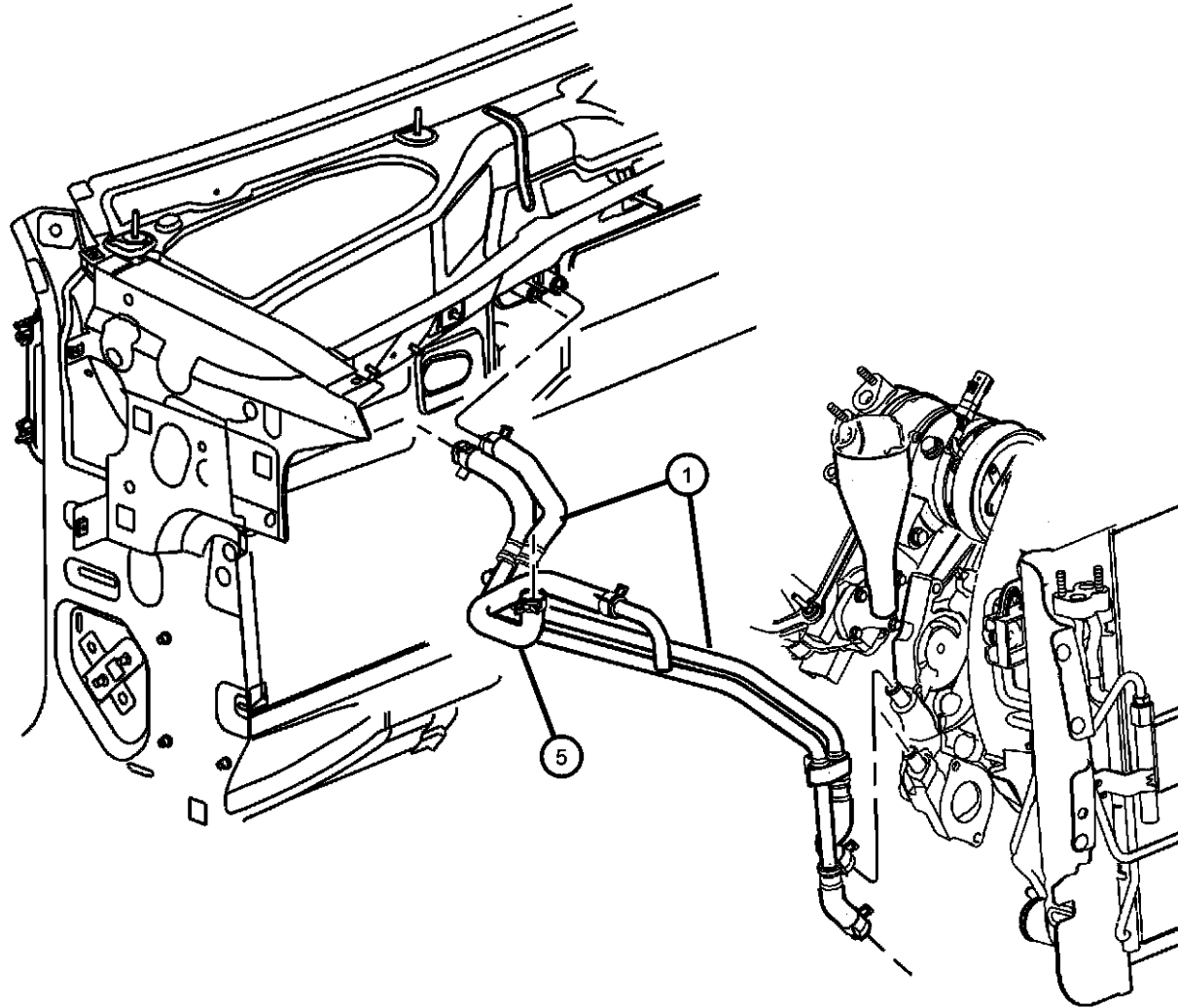
ITEM	PART NUMBER	QTY	LINE	SERIES	BODY	ENGINE	TRANS	TRIM	DESCRIPTION
------	-------------	-----	------	--------	------	--------	-------	------	-------------

NOTE:

Sales Codes:

[EK0]=All 3.7L V-6 Engines

1	55038331AG	1	J, T			EK0			HOSE, Heater Supply
-2	05072449AA	1	J, T			EK0			BRACKET
-3	05072450AB	1	J, T			EK0			BRACKET
-4	HHR00034AA	1							HOSE 1FT, Heater, 3/4"
5	05170050AA	1	J, T			EK0			HOSE, HOSE



LIBERTY (KJ)

SERIES      LINE  
P = LIMITED      J = JEEP - 4WD  
H = SPORT      U = JEEP - 4WD (RHD)  
M = RENEGADE      T = JEEP - 2WD

BODY  
74 = SPORT UTILITY 4-DR

ENGINE  
ED1 = Engine - 2.4L 4 Cyl  
DOHC 16v SMPI  
EKG = Engine - 3.7L V6  
ENR = Engine - 2.8L 4 Cyl  
Turbo Diesel  
ENO = 4CYL turbo diesel

TRANSMISSION  
DGQ = Transmission-5-Spd Automatic  
5-45RFE  
DG6 = Transmission-4-Spd.  
Automatic, 42RLE  
DEH = Transmission-6-Speed Manual,  
NSG370  
DG0 = Transmissions - All Automatic  
DBB = ALL MANUAL  
TRANSMISSIONS

AR = use ase required - = Non illustrated part

2005 KJ

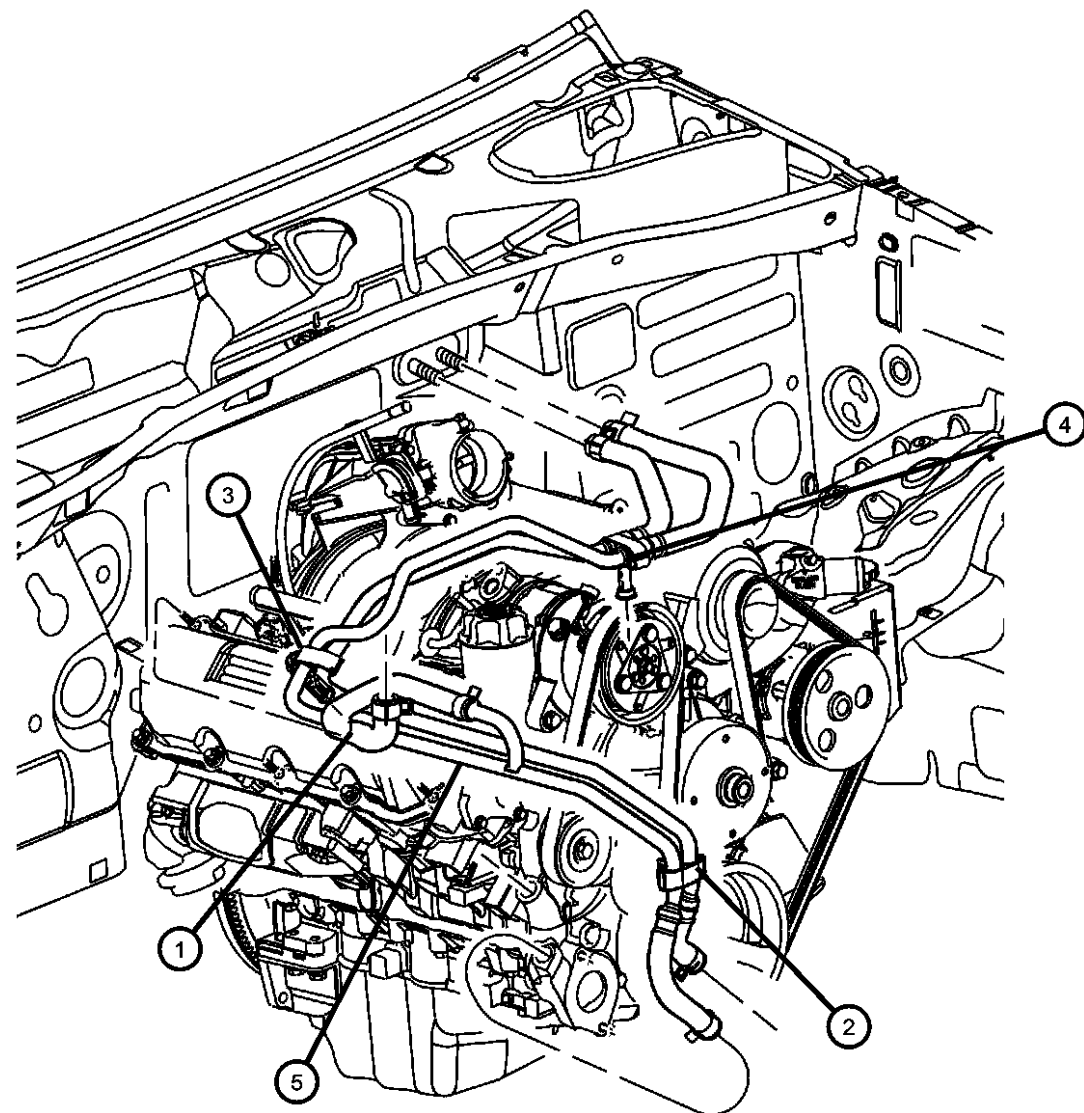


Plumbing, Heater 3.7L Engine, RHD  
Figure 24-240

ITEM	PART NUMBER	QTY	LINE	SERIES	BODY	ENGINE	TRANS	TRIM	DESCRIPTION
------	-------------	-----	------	--------	------	--------	-------	------	-------------

Note: Sales Codes  
[EK0]= All 3.7L, 6 Cylinder Gas Engines

1	05072448AA	1	J, T			EK0			HOSE, Hot Bottle
2	05072449AA	1	J, T			EK0			BRACKET, Oil Fill
3	05072450AB	1	J, T			EK0			BRACKET, Valve Cover
4	04754806	1	U						BRACKET, Intake Manifold
5	55038334AG	1	U			EK0			HOSE, Heater Supply



LIBERTY (KJ)

SERIES      LINE  
P = LIMITED    J = JEEP - 4WD  
H = SPORT      U = JEEP - 4WD (RHD)  
M = RENEGADE   T = JEEP - 2WD

BODY  
74 = SPORT UTILITY 4-DR

ENGINE  
ED1 = Engine - 2.4L 4 Cyl  
DOHC 16v SMPI  
EKG = Engine - 3.7L V6  
ENR = Engine - 2.8L 4 Cyl  
Turbo Diesel  
ENO = 4CYL turbo diesel

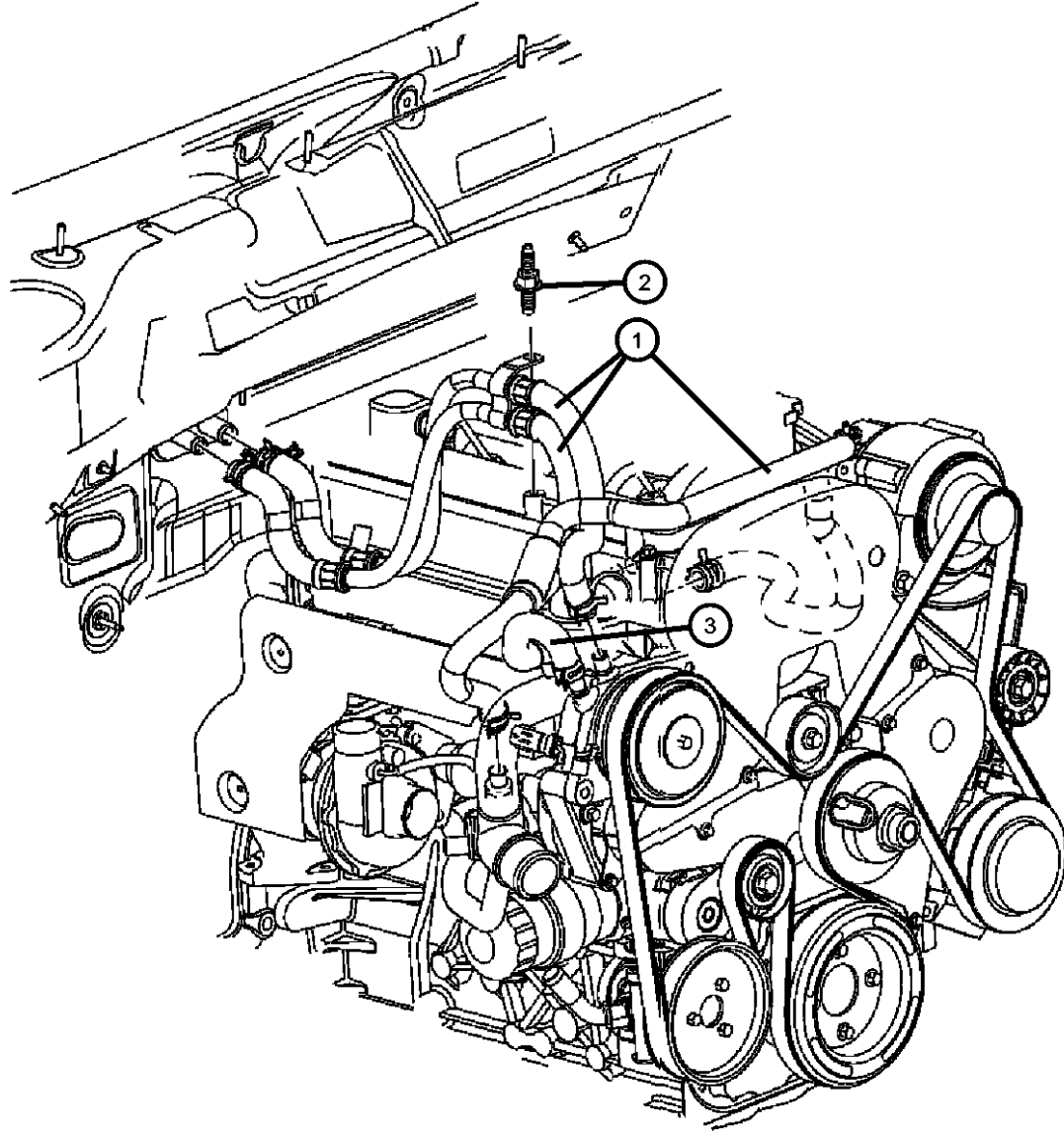
TRANSMISSION  
DGQ = Transmission-5-Spd Automatic  
5-45RFE  
DG6 = Transmission-4-Spd.  
Automatic, 42RLE  
DEH = Transmission-6-Speed Manual,  
NSG370  
DG0 = Transmissions - All Automatic  
DBB = ALL MANUAL  
TRANSMISSIONS

AR = use ase required - = Non illustrated part

2005 KJ

Plumbing, Heater 2.8L Diesel Engine, LHD  
Figure 24-250

ITEM	PART NUMBER	QTY	LINE	SERIES	BODY	ENGINE	TRANS	TRIM	DESCRIPTION
1	55037738AB	1	J, T			ENO			HOSE, Heater Supply
2	06504035	1	J, T			ENO			STUD, M8x1.25x41.00
3	05142787AA	1				ENO			HOSE, Vicous heater to thermo valve



LIBERTY (KJ)

SERIES      LINE  
P = LIMITED      J = JEEP - 4WD  
H = SPORT      U = JEEP - 4WD (RHD)  
M = RENEGADE      T = JEEP - 2WD

BODY  
74 = SPORT UTILITY 4-DR

ENGINE  
ED1 = Engine - 2.4L 4 Cyl  
DOHC 16v SMPI  
EKG = Engine - 3.7L V6  
ENR = Engine - 2.8L 4 Cyl  
Turbo Diesel  
ENO = 4CYL turbo diesel

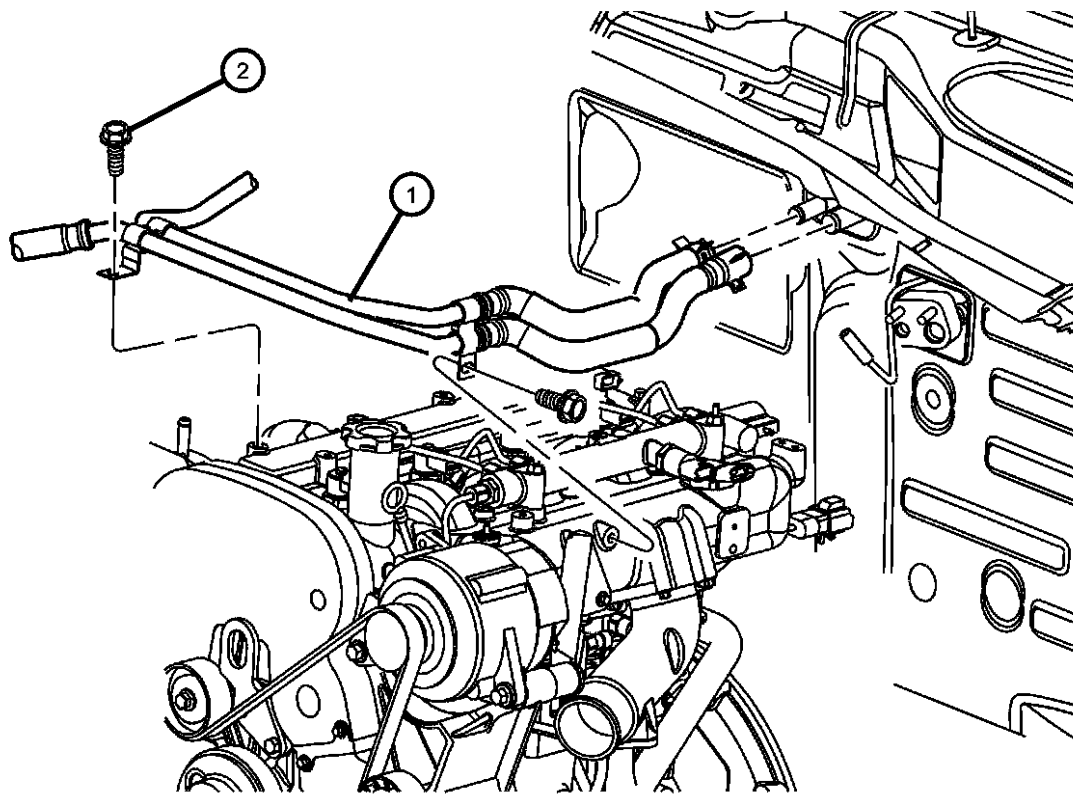
TRANSMISSION  
DGQ = Transmission-5-Spd Automatic  
5-45RFE  
DG6 = Transmission-4-Spd.  
Automatic, 42RLE  
DEH = Transmission-6-Speed Manual,  
NSG370  
DG0 = Transmissions - All Automatic  
DBB = ALL MANUAL  
TRANSMISSIONS

AR = use ase required - = Non illustrated part

2005 KJ

**Plumbing, Heater 2.8L Diesel Engine, RHD**  
**Figure 24-260**

ITEM	PART NUMBER	QTY	LINE	SERIES	BODY	ENGINE	TRANS	TRIM	DESCRIPTION
1	55037739AB	1	U			ENO			HOSE, Heater Supply
2	06501474	1	J, U						BOLT, Hex Head, M8x1.25x16



**LIBERTY (KJ)**

SERIES      LINE  
P = LIMITED      J = JEEP - 4WD  
H = SPORT      U = JEEP - 4WD (RHD)  
M = RENEGADE      T = JEEP - 2WD

BODY  
74 = SPORT UTILITY 4-DR

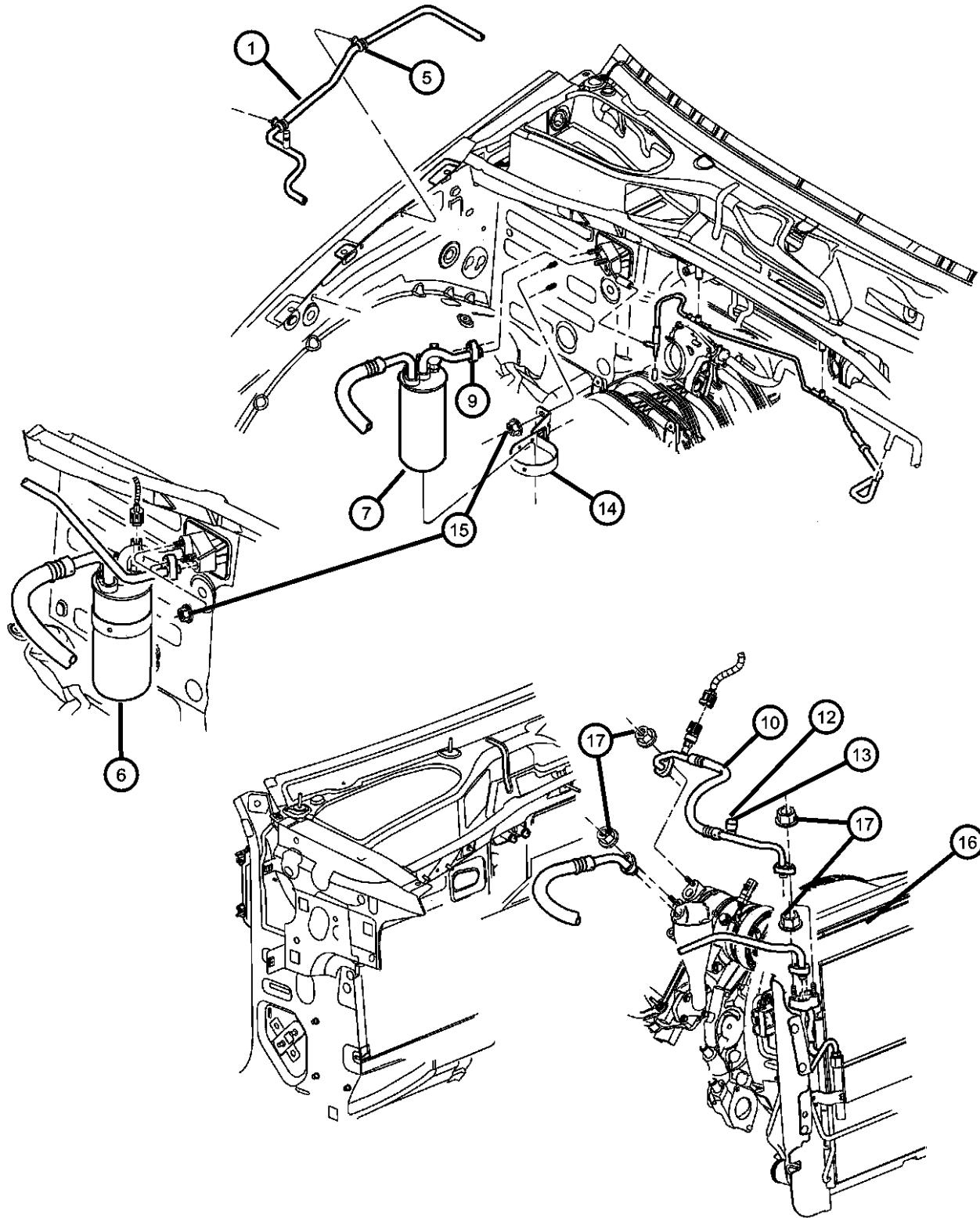
ENGINE  
ED1 = Engine - 2.4L 4 Cyl  
DOHC 16v SMPI  
EKG = Engine - 3.7L V6  
ENR = Engine - 2.8L 4 Cyl  
Turbo Diesel  
ENO = 4CYL turbo diesel

TRANSMISSION  
DGQ = Transmission-5-Spd Automatic  
5-45RFE  
DG6 = Transmission-4-Spd.  
Automatic, 42RLE  
DEH = Transmission-6-Speed Manual,  
NSG370  
DG0 = Transmissions - All Automatic  
DBB = ALL MANUAL  
TRANSMISSIONS

AR = use ase required - = Non illustrated part

2005 KJ

**Plumbing, Air Conditioning 2.4L Engine, LHD**  
**Figure 24-270**



ITEM	PART NUMBER	QTY	LINE	SERIES	BODY	ENGINE	TRANS	TRIM	DESCRIPTION
------	-------------	-----	------	--------	------	--------	-------	------	-------------

Note; Sales Codes  
 [ED0]= All 2.2L, 2.5L, 2.4L, 4 Cylinder Gas Engines

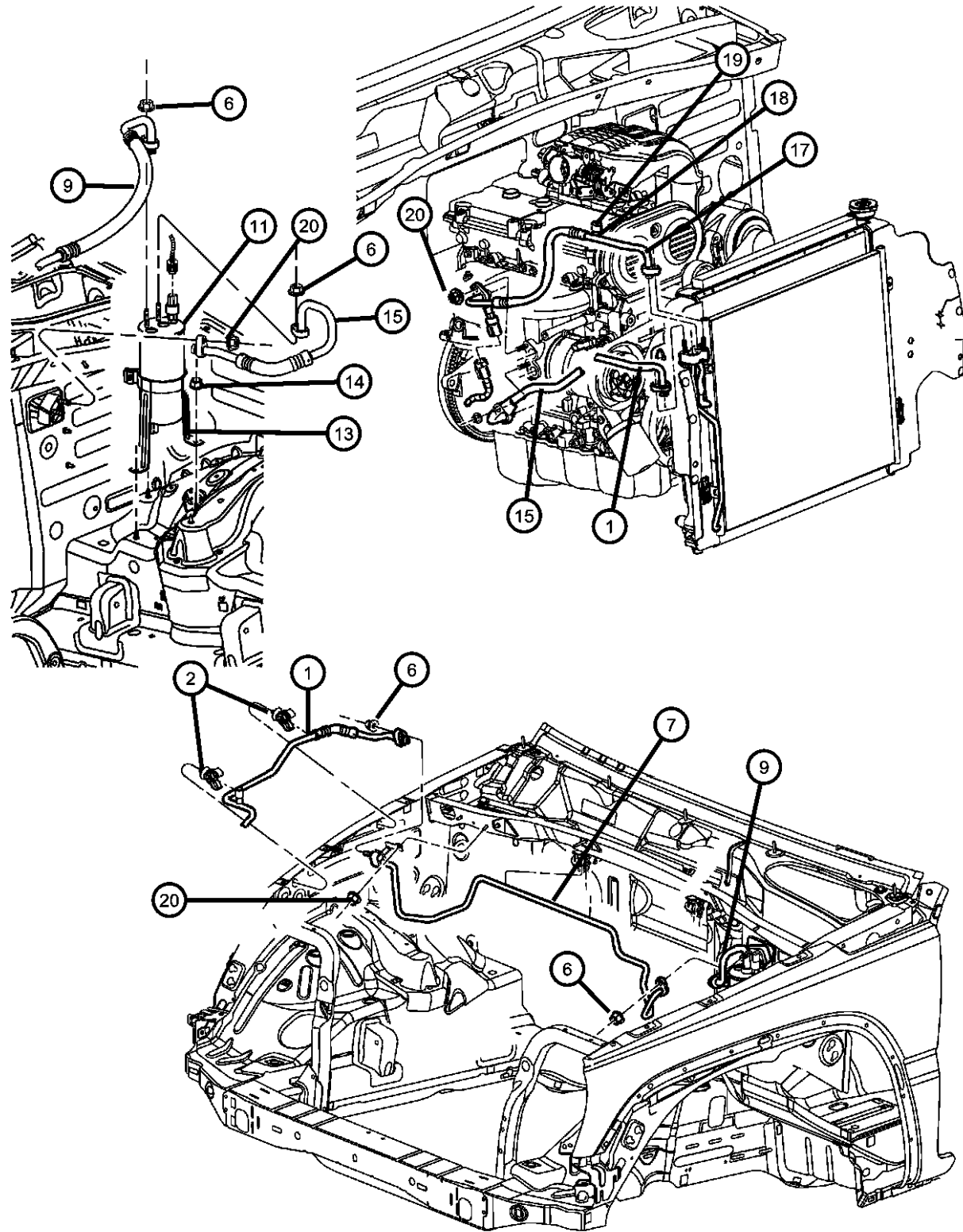
1	55037809AD	1	J, T						LINE, A/C Liquid
-2	05072141AA	1	J, T			ED0			GASKET & O RING KIT, A/C Line
-3	04882334	1	J, T						VALVE, A/C Discharge Line Check
-4	04882335	1	J, T						CAP, A/C Check Valve
5	56021384	2							CLIP, Wiring
6	55037803AC	1	J, T			ED0			ACCUMULATOR, Suction Line, with Suction Line
7	05072139AA	1	J, T			ED0			ACCUMULATOR, Air Conditioning, Without Suction Line
-8	05072141AA	1	J, T			ED0			GASKET & O RING KIT, A/C Line, Suction Line
9	05072160AA	1	J, T			ED0			LINE, A/C Liquid
10	55037800AE	1				ED0			LINE, A/C Discharge
-11	05072141AA	1	J, T			ED0			GASKET & O RING KIT, A/C Line
12	04882334	1	J, T						VALVE, A/C Discharge Line Check
13	04882335	1	J, T						CAP, A/C Check Valve
14	55037764AB	1	J, T						BRACKET, Accumulator
15	06506152AA	2	J, T						NUT AND CONED WASHER, Hex, M8x1.25
16	05143010AB	1				ED0			CONDENSER, Air Conditioning
17	06506152AA	2							NUT AND CONED WASHER, Hex, M8x1.25

**LIBERTY (KJ)**

SERIES	LINE	BODY	ENGINE	TRANSMISSION
P = LIMITED	J = JEEP - 4WD	74 = SPORT UTILITY 4-DR	ED1 = Engine - 2.4L 4 Cyl DOHC 16v SMPI	DGQ = Transmission-5-Spd Automatic 5-45RFE
H = SPORT	U = JEEP - 4WD (RHD)		EKG = Engine - 3.7L V6	DG6 = Transmission-4-Spd. Automatic, 42RLE
M = RENEGADE	T = JEEP - 2WD		ENR = Engine - 2.8L 4 Cyl Turbo Diesel	DEH = Transmission-6-Speed Manual, NSG370
			ENO = 4CYL turbo diesel	DG0 = Transmissions - All Automatic
				DBB = ALL MANUAL TRANSMISSIONS

AR = use ase required - = Non illustrated part

**Plumbing, Air Conditioning 2.4L Engine, RHD**  
**Figure 24-280**



ITEM	PART NUMBER	QTY	LINE	SERIES	BODY	ENGINE	TRANS	TRIM	DESCRIPTION
------	-------------	-----	------	--------	------	--------	-------	------	-------------

Note; Sales Codes  
 [ED0]= All 2.2L, 2.5L, 2.4L, 4 Cylinder Gas Engines

1	55037810AD	1	U						LINE, A/C Liquid
2	56021384	2							CLIP, Wiring
-3	04882334	1	U						VALVE, A/C Discharge Line Check
-4	04882335	1	U						CAP, A/C Check Valve
-5	05072141AA	1	J, T			ED0			GASKET & O RING KIT, A/C Line
6	06506152AA	1	U						NUT AND CONED WASHER, Hex, M8x1.25
7	55037811AD	1	U						LINE, A/C Liquid
-8	05072141AA	1	J, T			ED0			GASKET & O RING KIT, A/C Line
9	55037804AC	1	U			ED0			LINE, A/C Suction
-10	05072141AA	1	J, T			ED0			GASKET & O RING KIT, A/C Line
11	55037471AD	1	U						ACCUMULATOR, Air Conditioning
-12	55037588AA	1	U			ED0			CLIP, A/C Suction Line
13	55037764AB	1	J, T						BRACKET, Accumulator
14	06101447	1	U						NUT
15	55037595AD	1	U						LINE, A/C Suction
-16	05072141AA	1	J, T			ED0			GASKET & O RING KIT, A/C Line
17	55037800AE	1				ED0			LINE, A/C Discharge
18	04882334	1	U						VALVE, A/C Discharge Line Check
19	04882335	1	U						CAP, A/C Check Valve
20	06506152AA	1	U						NUT AND CONED WASHER, Hex, M8x1.25
21	05143010AB	1				ED0			CONDENSER, Air Conditioning

**LIBERTY (KJ)**

SERIES      LINE  
 P = LIMITED      J = JEEP - 4WD  
 H = SPORT      U = JEEP - 4WD (RHD)  
 M = RENEGADE      T = JEEP - 2WD

BODY  
 74 = SPORT UTILITY 4-DR

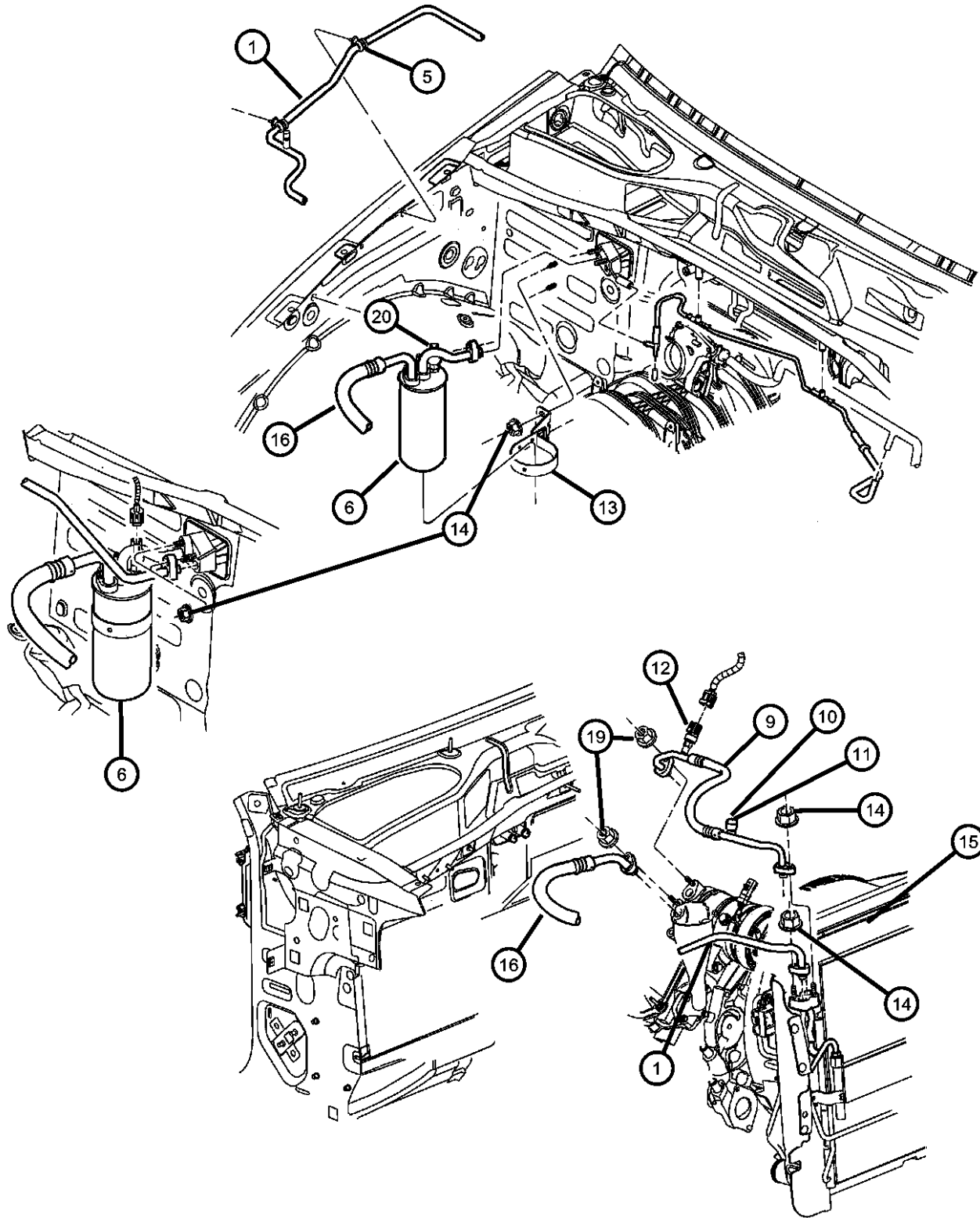
ENGINE  
 ED1 = Engine - 2.4L 4 Cyl DOHC 16v SMPI  
 EKG = Engine - 3.7L V6  
 ENR = Engine - 2.8L 4 Cyl Turbo Diesel  
 ENO = 4CYL turbo diesel

TRANSMISSION  
 DGQ = Transmission-5-Spd Automatic 5-45RFE  
 DG6 = Transmission-4-Spd. Automatic, 42RLE  
 DEH = Transmission-6-Speed Manual, NSG370  
 DG0 = Transmissions - All Automatic  
 DBB = ALL MANUAL TRANSMISSIONS

AR = use ase required - = Non illustrated part

2005 KJ

**Plumbing, Air Conditioning 3.7L Engine, LHD**  
**Figure 24-285**



ITEM	PART NUMBER	QTY	LINE	SERIES	BODY	ENGINE	TRANS	TRIM	DESCRIPTION
Note; Sales Codes [EK0]= All 3.7L, 6 Cylinder Gas Engines									
1	55037809AD	1	J, T						LINE, A/C Liquid
-2	05139486AA	1	J, T						O RING, A/C Line, To Evaporator or Condensor
-3	04882334	1	J, T						VALVE, A/C Discharge Line Check
-4	04882335	1	J, T						CAP, A/C Check Valve
5	56021384	2							CLIP, Wiring
6	55037807AE	1	J, T			EK0			ACCUMULATOR, Air Conditioning, With Suction Line, With Line
-7	05072139AA	1	J, T			EK0			ACCUMULATOR, Air Conditioning, Without Suction Line, Without Line
-8	05072140AA	1	J, T						SEAL, A/C Line
9	55037801AD	1				EK0			LINE, A/C Discharge
10	04882334	1	J, T						VALVE, A/C Discharge Line Check
11	04882335	1	J, T						CAP, A/C Check Valve
12	05019881AA	1				EK0			TRANSDUCER PACKAGE, A/C Pressure, Discharge Line
13	55037764AB	1	J, T						BRACKET, Accumulator
14	06506152AA	2	J, T						NUT AND CONED WASHER, Hex, M8x1.25
15									CONDENSER, Air Conditioning
	05143010AA	1				EK0			M series
	55037465AC	1				EK0			H-P series
16	05072199AA	1	J, T			EK0			LINE, A/C Suction
-17	05072141AA	1	J, T			EK0			GASKET & O RING KIT, A/C Line
-18	05072200AA	1	J, T			EK0			TRANSDUCER, Pressure Sensor, Suction Line
19	06506152AA	2							NUT AND CONED WASHER, Hex, M8x1.25
20	05170126AA	1	J, T			EK0			SWITCH, A/C Cycling

**LIBERTY (KJ)**

SERIES      LINE  
P = LIMITED      J = JEEP - 4WD  
H = SPORT      U = JEEP - 4WD (RHD)  
M = RENEGADE      T = JEEP - 2WD

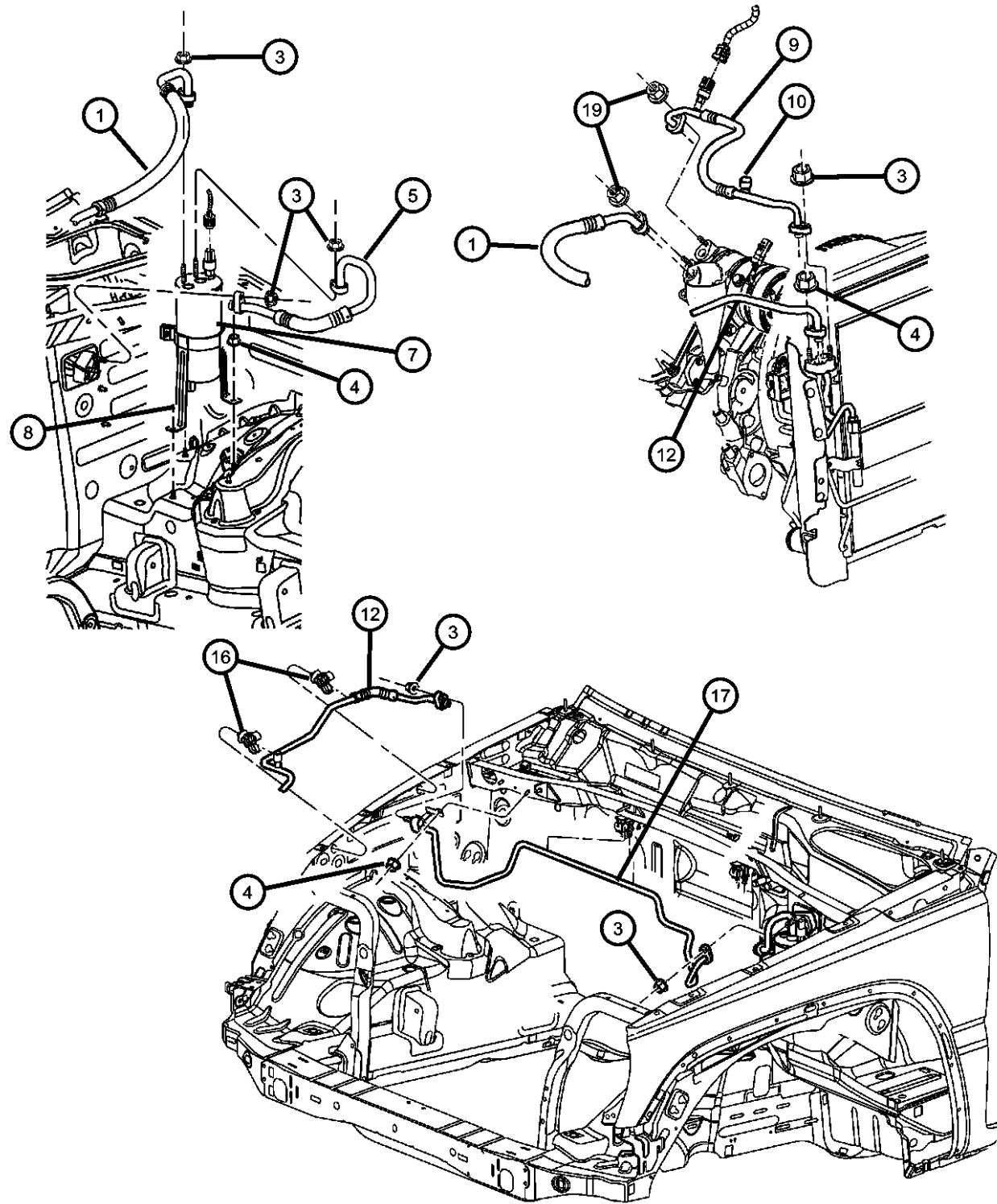
BODY  
74 = SPORT UTILITY 4-DR

ENGINE  
ED1 = Engine - 2.4L 4 Cyl DOHC 16v SMPI  
EKG = Engine - 3.7L V6  
ENR = Engine - 2.8L 4 Cyl Turbo Diesel  
ENO = 4CYL turbo diesel

TRANSMISSION  
DGQ = Transmission-5-Spd Automatic 5-45RFE  
DG6 = Transmission-4-Spd. Automatic, 42RLE  
DEH = Transmission-6-Speed Manual, NSG370  
DG0 = Transmissions - All Automatic  
DBB = ALL MANUAL TRANSMISSIONS

AR = use ase required    - = Non illustrated part

**Plumbing, Air Conditioning 3.7L Engine, RHD**  
**Figure 24-288**

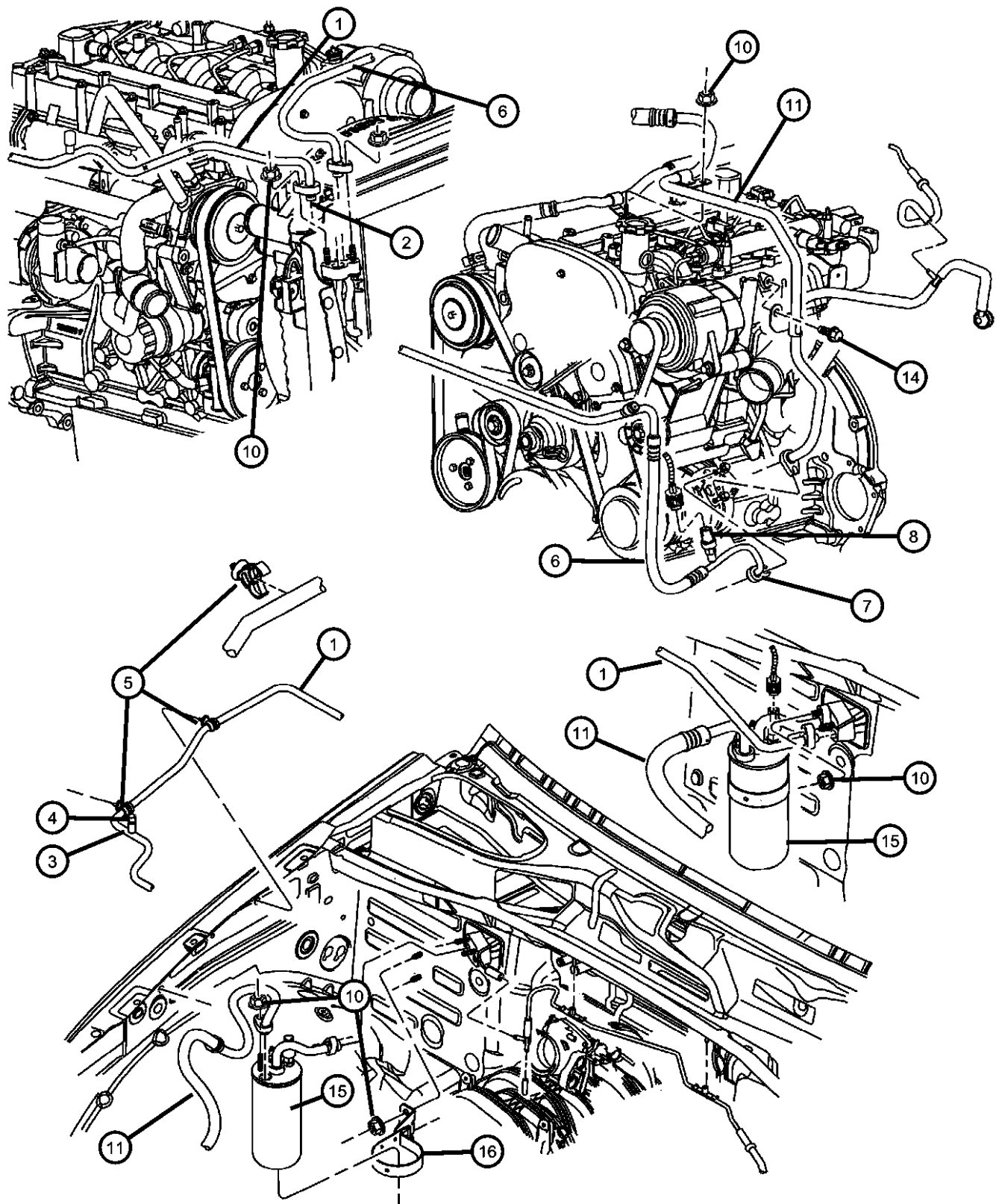


ITEM	PART NUMBER	QTY	LINE	SERIES	BODY	ENGINE	TRANS	TRIM	DESCRIPTION
Note; Sales Codes [EK0]= All 3.7L, 6 Cylinder Gas Engines									
1	55037808AB	1	U			EK0			LINE, A/C Suction
-2	05072141AA	1	J, T			EK0			GASKET & O RING KIT, A/C Line
3	06506152AA	1	U						NUT AND CONED WASHER, Hex, M8x1.25
4	06101447	1	U						NUT
5	55037595AD	1	U						LINE, A/C Suction, to Evaporator, To Evaporator
-6	05072141AA	1	J, T			EK0			GASKET & O RING KIT, A/C Line
7	55037471AD	1	U						ACCUMULATOR, Air Conditioning
8	55037764AB	1	J, T						BRACKET, Accumulator
9	55037801AD	1				EK0			LINE, A/C Discharge
10	04882335	1	U						CAP, A/C Check Valve
-11	05072141AA	1	J, T			EK0			GASKET & O RING KIT, A/C Line
12	55037810AD	1	U						LINE, A/C Liquid
-13	04882334	1	U						VALVE, A/C Discharge Line Check
-14	04882335	1	U						CAP, A/C Check Valve
-15	05072141AA	1	J, T			EK0			GASKET & O RING KIT, A/C Line
16	56021384	2							CLIP, Wiring
17	55037811AD	1	U						LINE, A/C Liquid
-18	05072141AA	1	J, T			EK0			GASKET & O RING KIT, A/C Line
19	06506152AA	2							NUT AND CONED WASHER, Hex, M8x1.25

<b>LIBERTY (KJ)</b>				
SERIES	LINE	BODY	ENGINE	TRANSMISSION
P = LIMITED	J = JEEP - 4WD	74 = SPORT UTILITY 4-DR	ED1 = Engine - 2.4L 4 Cyl DOHC 16v SMPI	DGQ = Transmission-5-Spd Automatic 5-45RFE
H = SPORT	U = JEEP - 4WD (RHD)		EKG = Engine - 3.7L V6	DG6 = Transmission-4-Spd. Automatic, 42RLE
M = RENEGADE	T = JEEP - 2WD		ENR = Engine - 2.8L 4 Cyl Turbo Diesel	DEH = Transmission-6-Speed Manual, NSG370
			ENO = 4CYL turbo diesel	DG0 = Transmissions - All Automatic
				DBB = ALL MANUAL TRANSMISSIONS

AR = use ase required - = Non illustrated part

Plumbing, Air Conditioning 2.8L Diesel Engine, LHD  
Figure 24-290



ITEM	PART NUMBER	QTY	LINE	SERIES	BODY	ENGINE	TRANS	TRIM	DESCRIPTION
1	55037809AD	1	J, T						LINE, A/C Liquid
2	05072141AA	1	J, T			ENO			GASKET & O RING KIT, A/C Line
3	04882334	1	J, T						VALVE, A/C Discharge Line Check
4	04882335	1	J, T						CAP, A/C Check Valve
5	04882335	1							CLIP, A/C Liquid Line, Serviced with Line, (NOT SERVICED)
6	55037818AB	1				ENO			LINE, A/C Discharge
7	05072141AA	1	J, T			ENO			GASKET & O RING KIT, A/C Line
8	05072138AA	1				ENO			TRANSDUCER KIT, A/C Pressure
-9	05139487AA	2				ENO			O RING, A/C Line, 1/2 inch - Red, 1/2
10	06506152AA	2	J, T						NUT AND CONED WASHER, Hex, M8x1.25
11	55037737AA	1	J, T			ENO			LINE, A/C Suction
-12	05139487AA	2				ENO			O RING, A/C Line, 5/8 inch - Red, 5/8
-13	05072141AA	1	J, T			ENO			GASKET & O RING KIT, A/C Line
14	06501474	1	J, U						BOLT, Hex Head, M8x1.25x16
15	55037470AD	1	J, T			ENO			ACCUMULATOR, Suction and Discharge Line
16	55037764AB	1	J, T						BRACKET, Accumulator

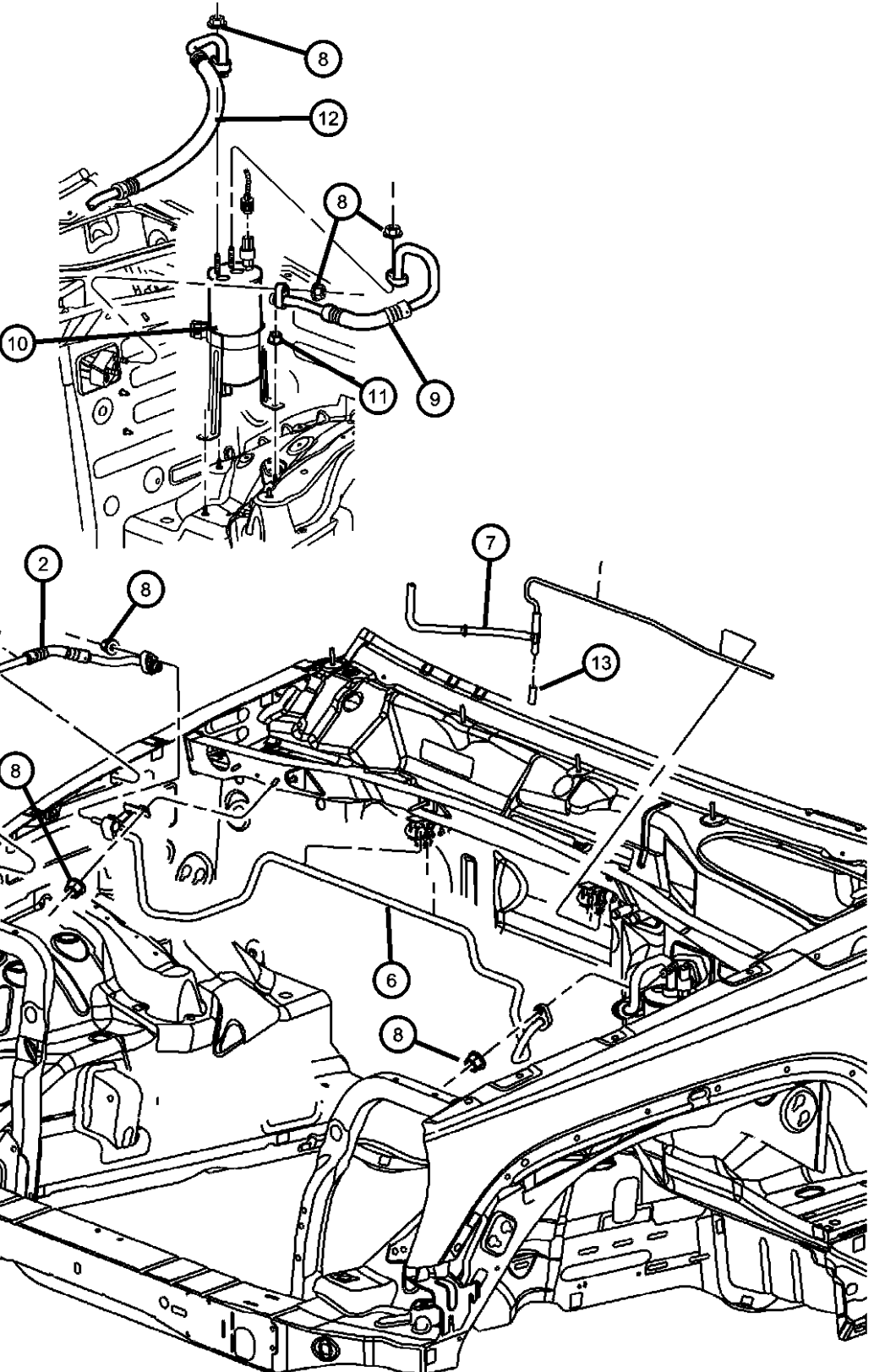
**LIBERTY (KJ)**

SERIES	LINE	BODY	ENGINE	TRANSMISSION
P = LIMITED	J = JEEP - 4WD	74 = SPORT UTILITY 4-DR	ED1 = Engine - 2.4L 4 Cyl DOHC 16v SMPI	DGQ = Transmission-5-Spd Automatic 5-45RFE
H = SPORT	U = JEEP - 4WD (RHD)		EKG = Engine - 3.7L V6	DG6 = Transmission-4-Spd. Automatic, 42RLE
M = RENEGADE	T = JEEP - 2WD		ENR = Engine - 2.8L 4 Cyl Turbo Diesel	DEH = Transmission-6-Speed Manual, NSG370
			ENO = 4CYL turbo diesel	DG0 = Transmissions - All Automatic
				DBB = ALL MANUAL TRANSMISSIONS

AR = use ase required - = Non illustrated part



Plumbing, Air Conditioning 2.8L Diesel Engine, RHD  
Figure 24-295



ITEM	PART NUMBER	QTY	LINE	SERIES	BODY	ENGINE	TRANS	TRIM	DESCRIPTION
1	56021384	2							CLIP
2	55037818AB	1				EN0			LINE, A/C Discharge
3	05264642	1				EN0			CAP, A/C Check Valve
4	05174114AA	1	U			EN0			VALVE CORE, Service Port
5	05174039AB	1	J, T, U		74	EN0			VALVE, A/C pressure Transducer
6	55037811AD	1	U						LINE, A/C Liquid
7	55038433AE	1	U						HOSE AND VALVE, Vacuum
8	06506152AA	3				EN0			NUT AND CONED WASHER, Hex, M8x1.25
9	55037595AD	1	U						LINE, A/C Suction
10	55037471AD	1	U						ACCUMULATOR, Air Conditioning
11	06101447	1	U						NUT
12	55037806AC	1	U			EN0			LINE, A/C Suction
13	03580172	1							CAP, Vacuum

LIBERTY (KJ)

SERIES      LINE  
P = LIMITED      J = JEEP - 4WD  
H = SPORT      U = JEEP - 4WD (RHD)  
M = RENEGADE      T = JEEP - 2WD

BODY  
74 = SPORT UTILITY 4-DR

ENGINE  
ED1 = Engine - 2.4L 4 Cyl DOHC 16v SMPI  
EKG = Engine - 3.7L V6  
ENR = Engine - 2.8L 4 Cyl Turbo Diesel  
ENO = 4CYL turbo diesel

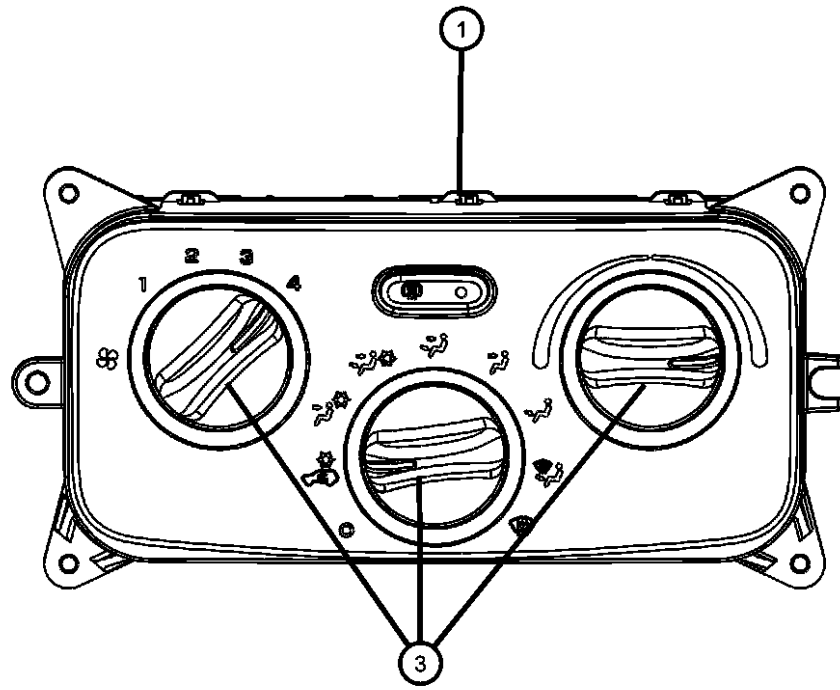
TRANSMISSION  
DGQ = Transmission-5-Spd Automatic 5-45RFE  
DG6 = Transmission-4-Spd. Automatic, 42RLE  
DEH = Transmission-6-Speed Manual, NSG370  
DG0 = Transmissions - All Automatic  
DBB = ALL MANUAL TRANSMISSIONS

AR = use ase required - = Non illustrated part

2005 KJ

**Control, Heater and Air Conditioning  
Figure 24-310**

ITEM	PART NUMBER	QTY	LINE	SERIES	BODY	ENGINE	TRANS	TRIM	DESCRIPTION
1	55037533AE	1							CONTROL, A/C And Heater, with Air Conditioning [Up To 12-5-04] No Servicable Parts
	55037533AG	1							[After 12-5-04] No Servicable Parts
-2	55037531AD	1							CONTROL, Heater, without Air Conditioning
3	05069169AA	1							KNOB, A/C And Heater Control - Rotary
-4	05069170AA	1							BULB, Heater and A/C Control



**LIBERTY (KJ)**

SERIES      LINE  
P = LIMITED      J = JEEP - 4WD  
H = SPORT      U = JEEP - 4WD (RHD)  
M = RENEGADE      T = JEEP - 2WD

BODY  
74 = SPORT UTILITY 4-DR

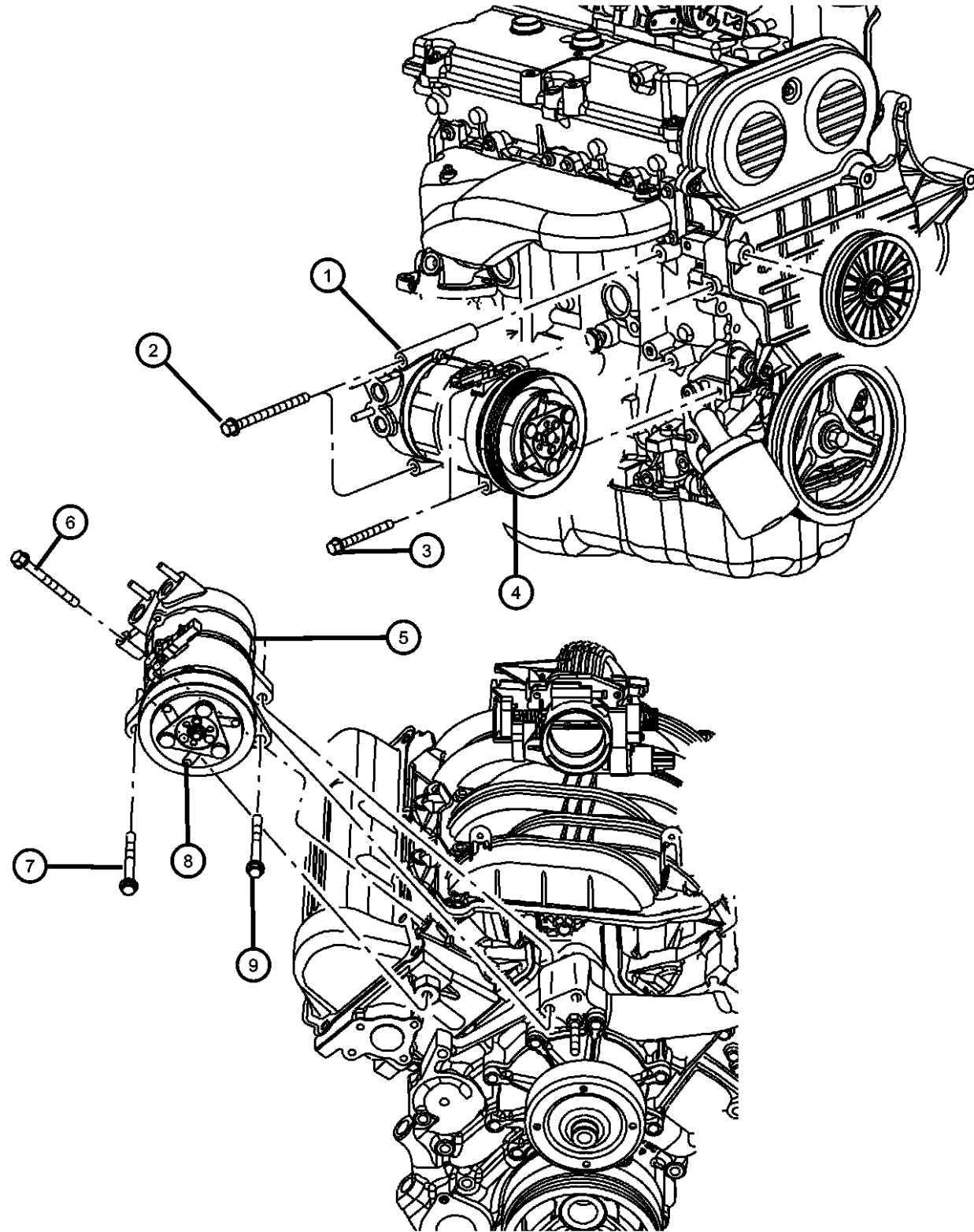
ENGINE  
ED1 = Engine - 2.4L 4 Cyl DOHC 16v SMPI  
EKG = Engine - 3.7L V6  
ENR = Engine - 2.8L 4 Cyl Turbo Diesel  
ENO = 4CYL turbo diesel

TRANSMISSION  
DGQ = Transmission-5-Spd Automatic 5-45RFE  
DG6 = Transmission-4-Spd. Automatic, 42RLE  
DEH = Transmission-6-Speed Manual, NSG370  
DG0 = Transmissions - All Automatic  
DBB = ALL MANUAL TRANSMISSIONS

AR = use ase required - = Non illustrated part

2005 KJ

**Compressor, 2.4L - 3.7L Engine  
Figure 24-410**



ITEM	PART NUMBER	QTY	LINE	SERIES	BODY	ENGINE	TRANS	TRIM	DESCRIPTION
------	-------------	-----	------	--------	------	--------	-------	------	-------------

Note; Sales Codes  
 [ED0]= All 2.2L, 2.5L, 2.4L, 4 Cylinder Gas Engines  
 [EK0]= All 3.7L, 6 Cylinder Gas Engines

1	55037524AE	1				ED0			COMPRESSOR, Air Conditioning
2	06102178AA	2				ED0			SCREW, Hex Flange Head, M8x1.25x130
3	06102178AA	2							BOLT, (NOT SERVICED)
4	05083076AA	1				EK0			CLUTCH, A/C Compressor
5	55037466AE	1				EK0			COMPRESSOR, Air Conditioning
6	06505482AA	1				EK0			SCREW AND WASHER, Hex Head, M8x1.25x50
7	06505487AA	1				EK0			SCREW AND WASHER, M10x1.5x45
8	05083076AA	1				EK0			CLUTCH, A/C Compressor
9	06504344	1				EK0			SCREW AND WASHER, Hex Head

**LIBERTY (KJ)**

SERIES      LINE  
 P = LIMITED      J = JEEP - 4WD  
 H = SPORT      U = JEEP - 4WD (RHD)  
 M = RENEGADE      T = JEEP - 2WD

BODY  
 74 = SPORT UTILITY 4-DR

ENGINE  
 ED1 = Engine - 2.4L 4 Cyl DOHC 16v SMPI  
 EKG = Engine - 3.7L V6  
 ENR = Engine - 2.8L 4 Cyl Turbo Diesel  
 ENO = 4CYL turbo diesel

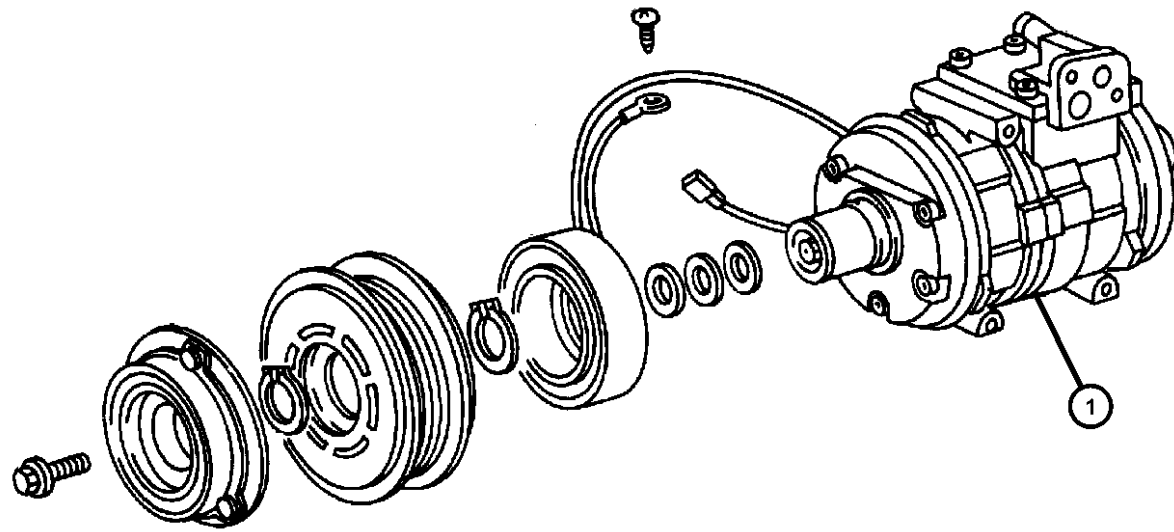
TRANSMISSION  
 DGQ = Transmission-5-Spd Automatic 5-45RFE  
 DG6 = Transmission-4-Spd. Automatic, 42RLE  
 DEH = Transmission-6-Speed Manual, NSG370  
 DG0 = Transmissions - All Automatic  
 DBB = ALL MANUAL TRANSMISSIONS

AR = use ase required - = Non illustrated part

2005 KJ

**Compressor, 2.8L Diesel Engine  
Figure 24-430**

ITEM	PART NUMBER	QTY	LINE	SERIES	BODY	ENGINE	TRANS	TRIM	DESCRIPTION
1									COMPRESSOR, Air Conditioning
	05093940AA	1				EN0			Without Clutch
	55037467AB	1				EN0			With Clutch



**LIBERTY (KJ)**

SERIES      LINE  
P = LIMITED      J = JEEP - 4WD  
H = SPORT      U = JEEP - 4WD (RHD)  
M = RENEGADE      T = JEEP - 2WD

BODY  
74 = SPORT UTILITY 4-DR

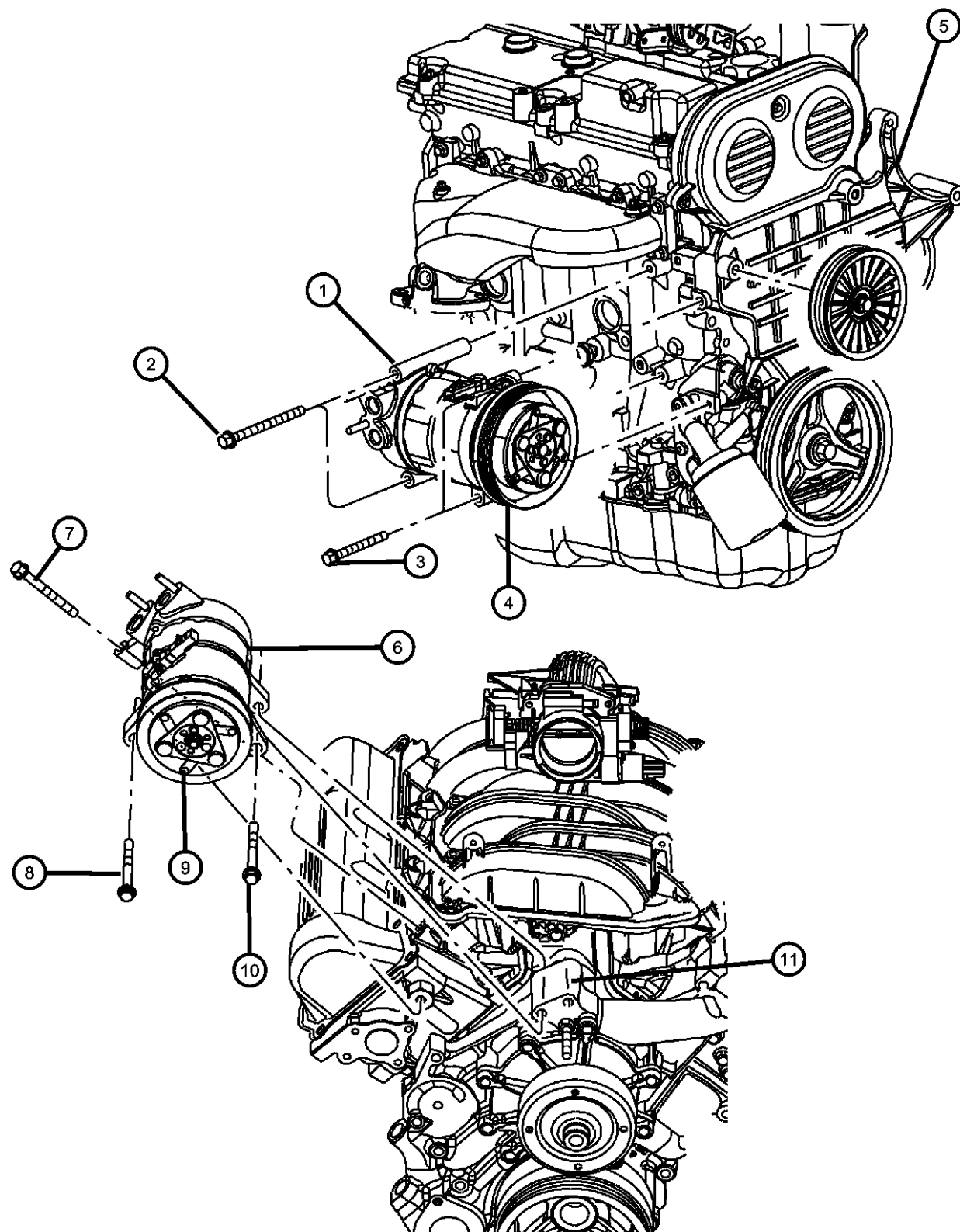
ENGINE  
ED1 = Engine - 2.4L 4 Cyl  
DOHC 16v SMPI  
EKG = Engine - 3.7L V6  
ENR = Engine - 2.8L 4 Cyl  
Turbo Diesel  
ENO = 4CYL turbo diesel

TRANSMISSION  
DGQ = Transmission-5-Spd Automatic  
5-45RFE  
DG6 = Transmission-4-Spd.  
Automatic, 42RLE  
DEH = Transmission-6-Speed Manual,  
NSG370  
DG0 = Transmissions - All Automatic  
DBB = ALL MANUAL  
TRANSMISSIONS

AR = use ase required - = Non illustrated part

2005 KJ

**Compressor Mounting, 2.4L - 3.7L Engine**  
**Figure 24-510**



ITEM	PART NUMBER	QTY	LINE	SERIES	BODY	ENGINE	TRANS	TRIM	DESCRIPTION
------	-------------	-----	------	--------	------	--------	-------	------	-------------

Note; Sales Codes  
 [ED0]= All 2.2L, 2.5L, 2.4L, 4 Cylinder Gas Engines  
 [EK0]= All 3.7L, 6 Cylinder Gas Engines

1	55037524AE	1				ED0			COMPRESSOR, Air Conditioning
2	06102178AA	2				ED0			SCREW, Hex Flange Head, M8x1.25x130
3	06102178AA	2							BOLT, (NOT SERVICED)
4	05083076AA	1				EK0			CLUTCH, A/C Compressor
5	04861371AA	1				ED0			BRACKET, Alternator
6	55037466AE	1				EK0			COMPRESSOR, Air Conditioning
7	06505482AA	1				EK0			SCREW AND WASHER, Hex Head, M8x1.25x50
8	06507372AA	2				ED0			STUD, Double Ended
9	05083076AA	1				EK0			CLUTCH, A/C Compressor
10	06504344	1				EK0			SCREW AND WASHER, Hex Head
11	53021238AB	1				EK0			COVER, Timing Belt

**LIBERTY (KJ)**

SERIES      LINE  
 P = LIMITED      J = JEEP - 4WD  
 H = SPORT      U = JEEP - 4WD (RHD)  
 M = RENEGADE      T = JEEP - 2WD

BODY  
 74 = SPORT UTILITY 4-DR

ENGINE  
 ED1 = Engine - 2.4L 4 Cyl DOHC 16v SMPI  
 EKG = Engine - 3.7L V6  
 ENR = Engine - 2.8L 4 Cyl Turbo Diesel  
 ENO = 4CYL turbo diesel

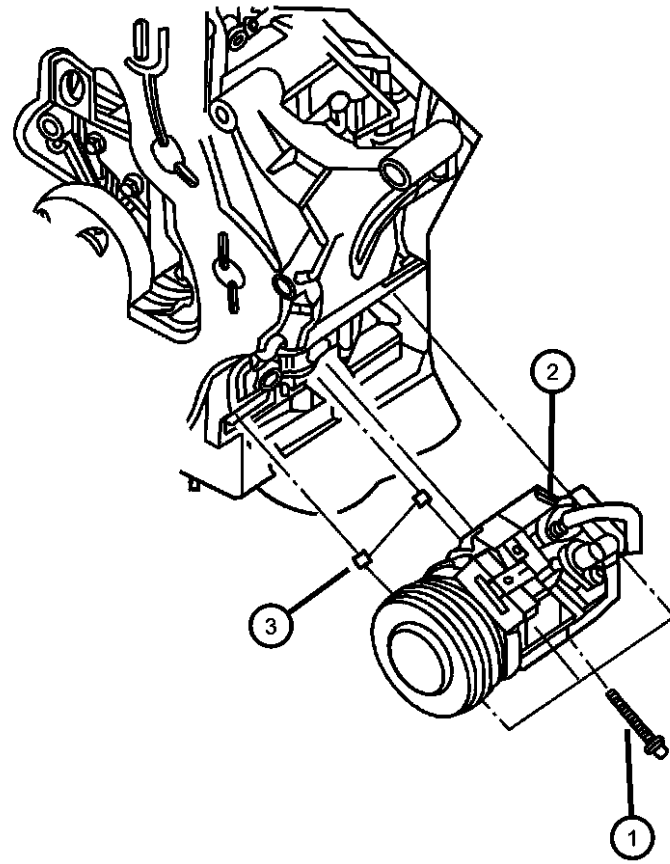
TRANSMISSION  
 DGQ = Transmission-5-Spd Automatic 5-45RFE  
 DG6 = Transmission-4-Spd. Automatic, 42RLE  
 DEH = Transmission-6-Speed Manual, NSG370  
 DG0 = Transmissions - All Automatic  
 DBB = ALL MANUAL TRANSMISSIONS

AR = use ase required - = Non illustrated part

2005 KJ

**Compressor Mounting, 2.8L Diesel Engine**  
**Figure 24-530**

ITEM	PART NUMBER	QTY	LINE	SERIES	BODY	ENGINE	TRANS	TRIM	DESCRIPTION
1	04897253AA	4				EN0			BOLT, Hex Flange Head, M10x35
2	05093940AA	1				EN0			COMPRESSOR, Air Conditioning Without Clutch
	55037467AB	1				EN0			With Clutch
3	05066930AA	1				EN0			PIN



**LIBERTY (KJ)**

SERIES      LINE  
P = LIMITED      J = JEEP - 4WD  
H = SPORT      U = JEEP - 4WD (RHD)  
M = RENEGADE      T = JEEP - 2WD

BODY  
74 = SPORT UTILITY 4-DR

ENGINE  
ED1 = Engine - 2.4L 4 Cyl  
DOHC 16v SMPI  
EKG = Engine - 3.7L V6  
ENR = Engine - 2.8L 4 Cyl  
Turbo Diesel  
ENO = 4CYL turbo diesel

TRANSMISSION  
DGQ = Transmission-5-Spd Automatic  
5-45RFE  
DG6 = Transmission-4-Spd.  
Automatic, 42RLE  
DEH = Transmission-6-Speed Manual,  
NSG370  
DG0 = Transmissions - All Automatic  
DBB = ALL MANUAL  
TRANSMISSIONS

AR = use ase required    - = Non illustrated part

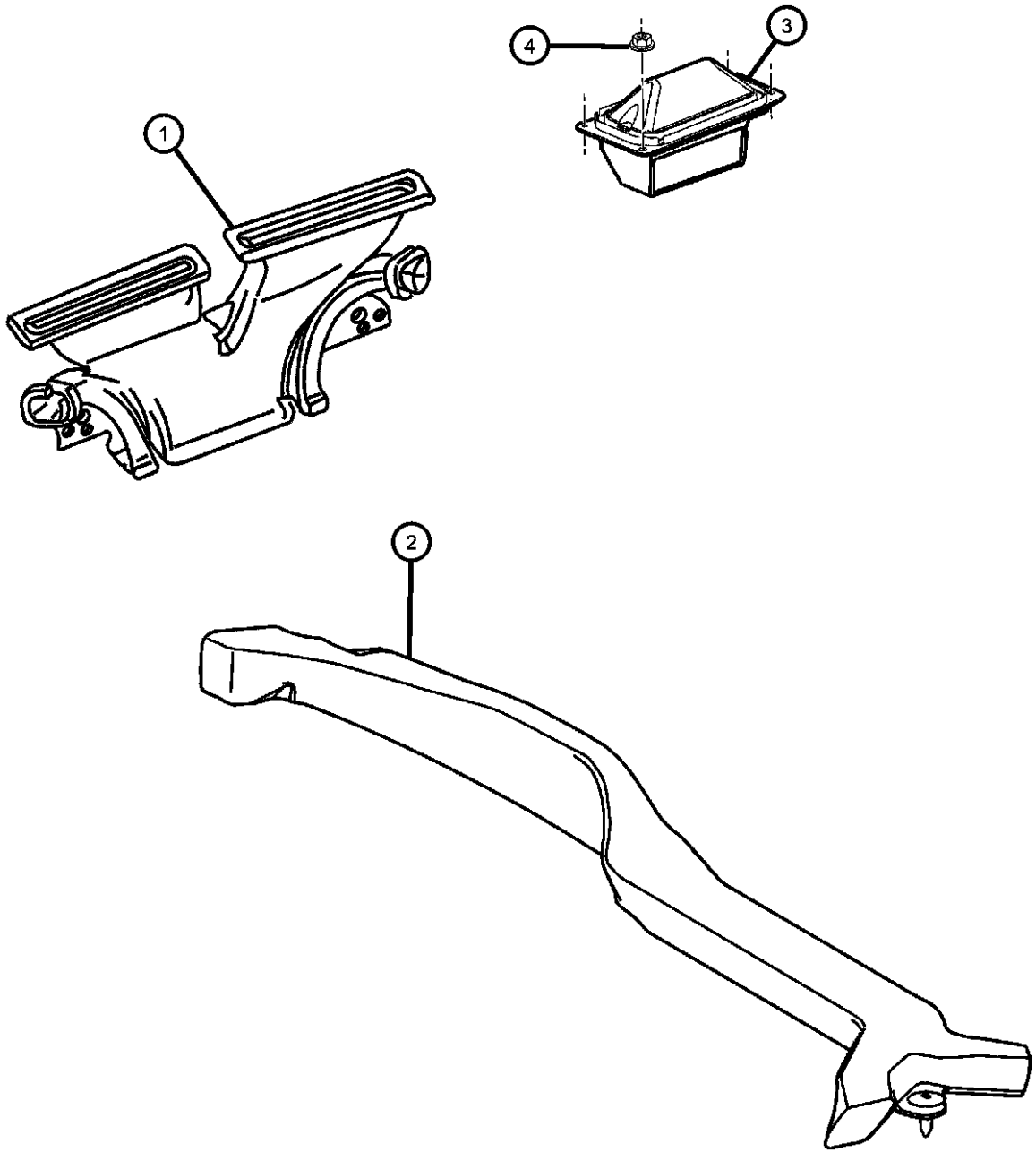
2005 KJ

**Air Distribution Ducts  
Figure 24-610**

ITEM	PART NUMBER	QTY	LINE	SERIES	BODY	ENGINE	TRANS	TRIM	DESCRIPTION
------	-------------	-----	------	--------	------	--------	-------	------	-------------

NOTE : SALES CODES  
 [DBB]= Transmission - All Manual  
 [DG0] = Transmission - All Automatic

1	55037448AB	1	J, T						DUCT, Defroster
	55037535AB	1	U						
2	55037480AB	1							DUCT, Rear Floor Heat [DG0]
	55037562AB	1							[DBB]
3	55037522AA	1	J, T						BAFFLE, Air Inlet
	55037523AA	1	U						
4	55037523AA	1							NUT, (NOT SERVICED)



**LIBERTY (KJ)**

SERIES      LINE  
 P = LIMITED      J = JEEP - 4WD  
 H = SPORT      U = JEEP - 4WD (RHD)  
 M = RENEGADE      T = JEEP - 2WD

BODY  
 74 = SPORT UTILITY 4-DR

ENGINE  
 ED1 = Engine - 2.4L 4 Cyl  
 DOHC 16v SMPI  
 EKG = Engine - 3.7L V6  
 ENR = Engine - 2.8L 4 Cyl  
 Turbo Diesel  
 ENO = 4CYL turbo diesel

TRANSMISSION  
 DGQ = Transmission-5-Spd Automatic  
 5-45RFE  
 DG6 = Transmission-4-Spd.  
 Automatic, 42RLE  
 DEH = Transmission-6-Speed Manual,  
 NSG370  
 DG0 = Transmissions - All Automatic  
 DBB = ALL MANUAL  
 TRANSMISSIONS

AR = use ase required - = Non illustrated part

2005 KJ

# Group - 25

## Emission Systems

### Group - 25 Emission Systems

Illustration Title

Group-Fig. No.

#### EGR System

EGR System 2.8L [EN0] ..... Fig. 25 - 210

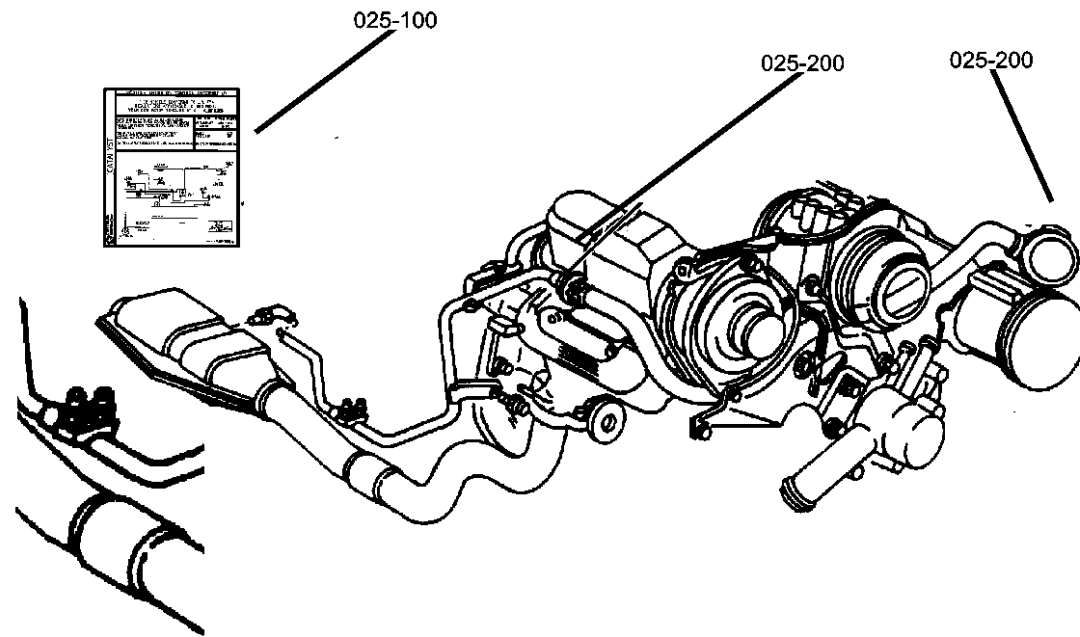
#### Vacuum Canister

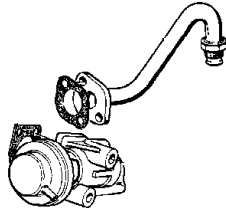

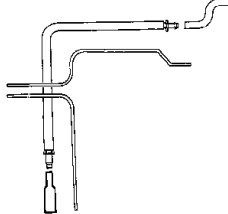
Vapor Canister [2.4L ED0 3.7L EK0] ..... Fig. 25 - 310

#### Emission Harness

Emission Vacuum Harness [2.4L ED0, 3.7L EK0] ..... Fig. 25 - 420

Leak Detection Pump, [2.4L ED0 3.7L EK0] ..... Fig. 25 - 430



<p><b>025-200</b> EGR System</p> 	<p><b>025-300</b> Vacuum Canister</p> 	<p><b>025-400</b> Emission Harness</p> 	
--	---	---	--

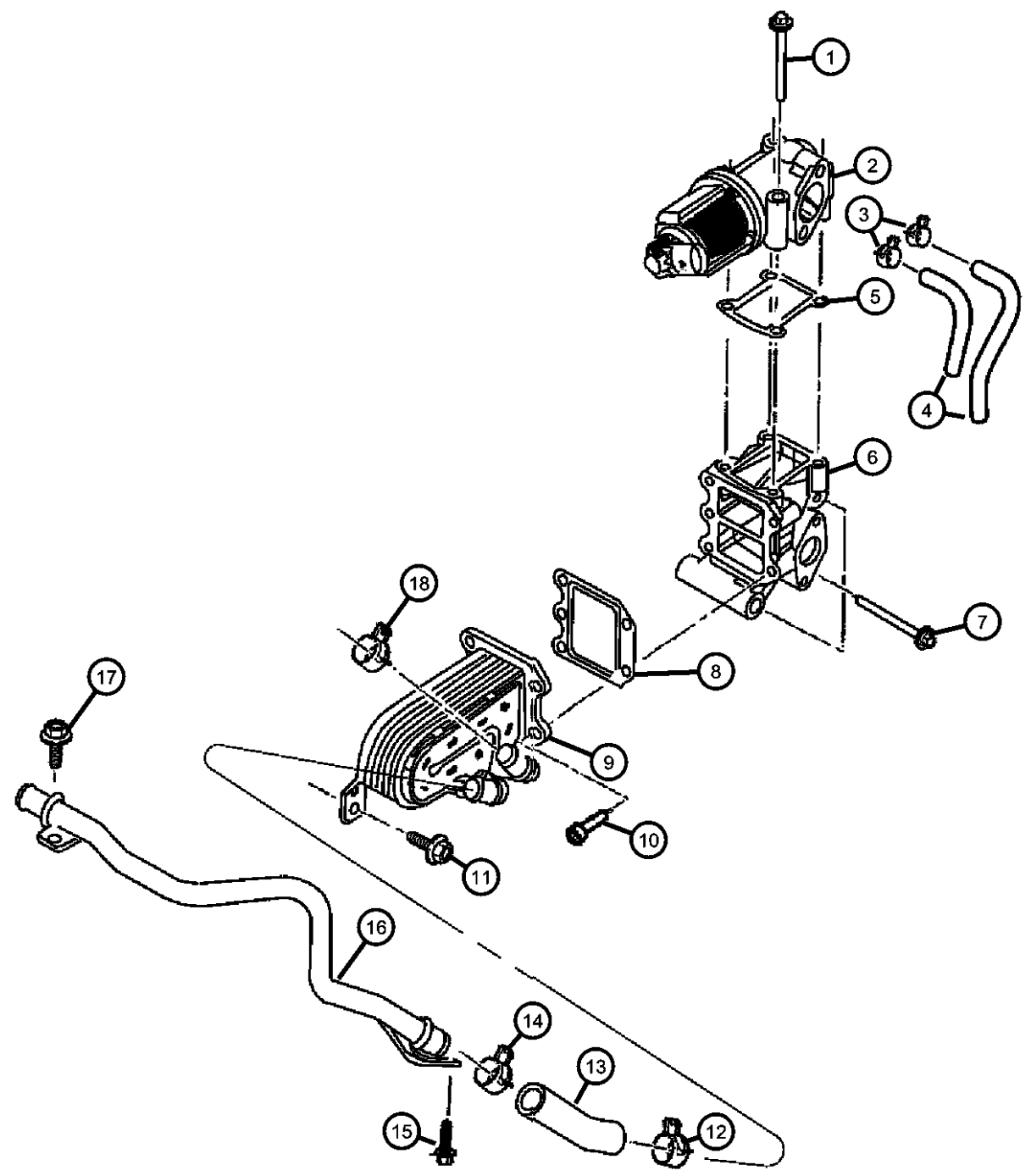


EGR System 2.8L [EN0]

Figure 25-210

ITEM	PART NUMBER	QTY	LINE	SERIES	BODY	ENGINE	TRANS	TRIM	DESCRIPTION
------	-------------	-----	------	--------	------	--------	-------	------	-------------

Note; Sales Codes  
 [DBB]= All Manual Transmissions  
 [EN0]= All 4/5 Cylinder Turbo Diesels



1	05142804AA	1				EN0	DG0		BOLT
		1				EN0	DBB		
2	05159971AA	1				EN0	DBB		VALVE, EGR
		1				EN0	DG0		
3	05003552AB	1				EN0	DG0		CLAMP, Oil Separator Hose
4	05170053AA	1				EN0	DG0		HOSE INLET WATER HOSE TO EGR.
	05170054AA	1				EN0	DG0		HOSE WATER RETURN FROM EGR VALVE.
5	05142815AA	1				EN0	DBB		GASKET, EGR Valve
		1				EN0	DG0		
6	05142812AB	1				EN0	DG0		EGR KIT, Valve And Cooler Canada, US
		1				EN0	DBB		Export
7	05142805AA	3				EN0	DBB		BOLT
		3				EN0	DG0		
8	05142617AA	1				EN0	DBB		GASKET, EGR Cooler
		1				EN0	DG0		
9	05142819AA	1				EN0	DG0		COOLER, EGR
		1				EN0	DBB		
10	04720658	1				EN0	DG0		SCREW
		1				EN0	DBB		
11									SCREW

LIBERTY (KJ)

SERIES      LINE  
 P = LIMITED      J = JEEP - 4WD  
 H = SPORT      U = JEEP - 4WD (RHD)  
 M = RENEGADE      T = JEEP - 2WD

BODY  
 74 = SPORT UTILITY 4-DR

ENGINE  
 ED1 = Engine - 2.4L 4 Cyl  
 DOHC 16v SMPI  
 EKG = Engine - 3.7L V6  
 ENR = Engine - 2.8L 4 Cyl  
 Turbo Diesel  
 ENO = 4CYL turbo diesel

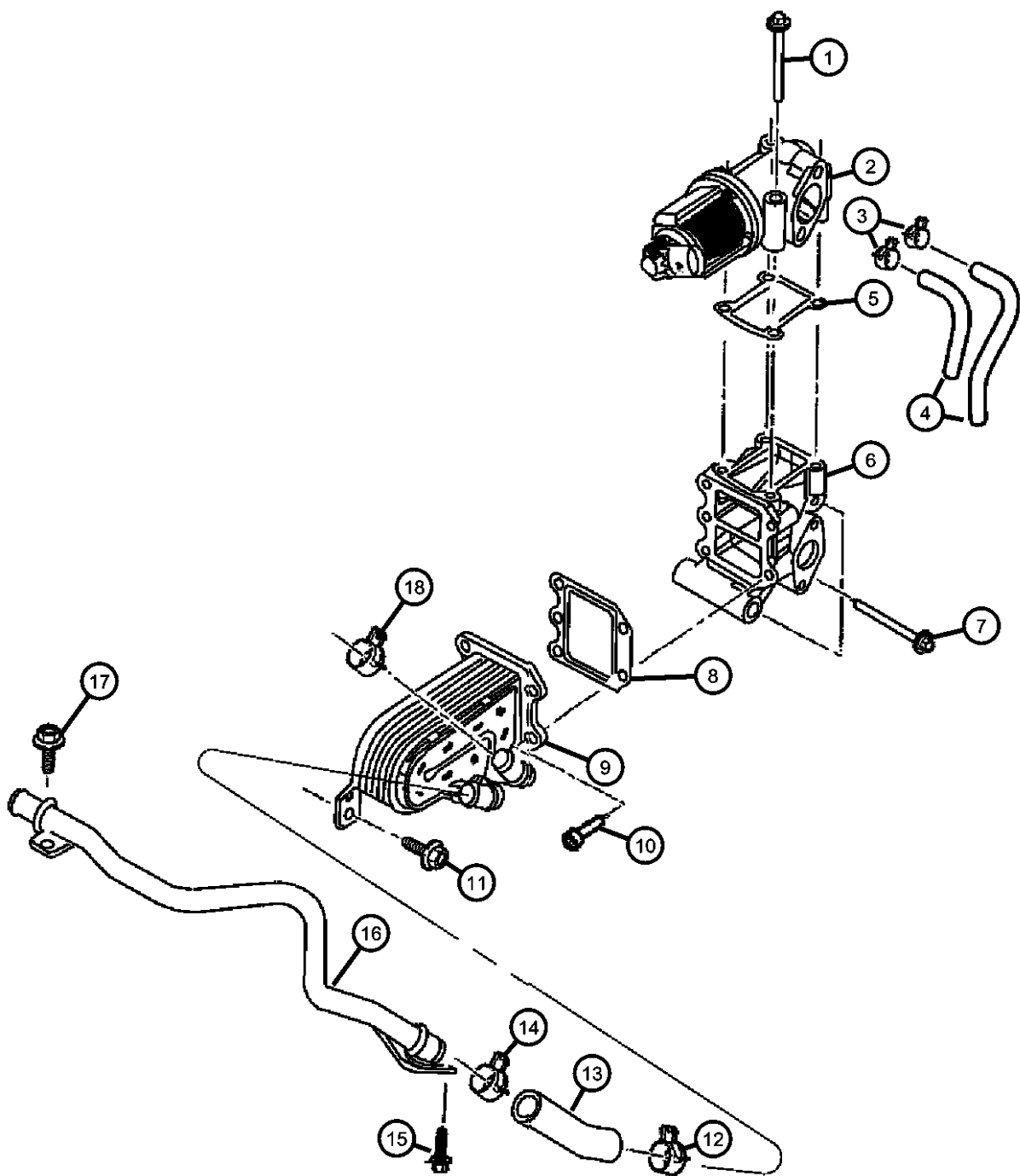
TRANSMISSION  
 DGQ = Transmission-5-Spd Automatic  
 5-45RFE  
 DG6 = Transmission-4-Spd.  
 Automatic, 42RLE  
 DEH = Transmission-6-Speed Manual,  
 NSG370  
 DG0 = Transmissions - All Automatic  
 DBB = ALL MANUAL  
 TRANSMISSIONS

AR = use ase required - = Non illustrated part

2005 KJ

EGR System 2.8L [EN0]  
Figure 25-210

ITEM	PART NUMBER	QTY	LINE	SERIES	BODY	ENGINE	TRANS	TRIM	DESCRIPTION
	05003557AA	2				EN0	DG0		
		2				EN0	DBB		
12	04883924AA	4				EN0	DBB		CLAMP, Heater Hose
		4				EN0	DG0		
13	05159961AA	1				EN0	DG0		PIPE
		1				EN0	DBB		
14	04883924AA	4				EN0	DBB		CLAMP, Heater Hose
		4				EN0	DG0		
15	04864748AB	1				EN0	DG0		BOLT
		1				EN0	DBB		
16	05142584AA	1				EN0	DG0		PIPE, Water Return
		1				EN0	DBB		
17	04864748AB	1				EN0	DG0		BOLT
		1				EN0	DBB		
18	04883924AA	4				EN0	DBB		CLAMP, Heater Hose
		4				EN0	DG0		



LIBERTY (KJ)

SERIES LINE  
P = LIMITED J = JEEP - 4WD  
H = SPORT U = JEEP - 4WD (RHD)  
M = RENEGADE T = JEEP - 2WD

BODY  
74 = SPORT UTILITY 4-DR

ENGINE  
ED1 = Engine - 2.4L 4 Cyl  
DOHC 16v SMPI  
EKG = Engine - 3.7L V6  
ENR = Engine - 2.8L 4 Cyl  
Turbo Diesel  
ENO = 4CYL turbo diesel

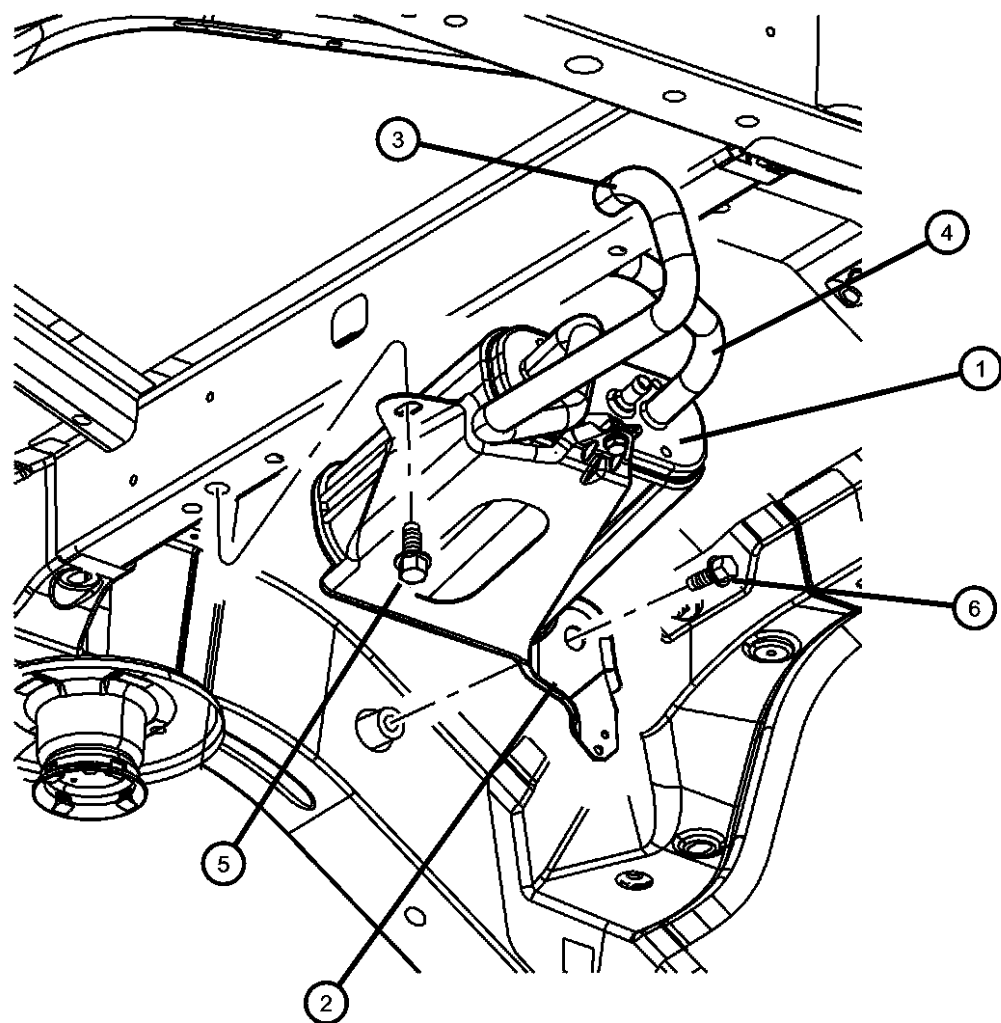
TRANSMISSION  
DGQ = Transmission-5-Spd Automatic  
5-45RFE  
DG6 = Transmission-4-Spd.  
Automatic, 42RLE  
DEH = Transmission-6-Speed Manual,  
NSG370  
DG0 = Transmissions - All Automatic  
DBB = ALL MANUAL  
TRANSMISSIONS

AR = use ase required - = Non illustrated part

2005 KJ

Vapor Canister [2.4L ED0 3.7L EK0]  
Figure 25-310

ITEM	PART NUMBER	QTY	LINE	SERIES	BODY	ENGINE	TRANS	TRIM	DESCRIPTION
1	04891562AA	1				ED0, EK0			CANISTER, Vapor
2	52128677AC	1				ED0, EK0			BRACKET, Vapor Canister
3	52128661AA	1				ED0, EK0			HOSE, Canister to NVLD
4	52128679AB	1				ED0, EK0			HOSE, Canister to Vent Valve
5	06101452	1				ED0, EK0			SCREW AND WASHER, Hex Head, M8x1.25x20
6	06503900	2				ED0, EK0			SCREW AND WASHER, Hex Head, M12x1.75x40
-7	06101467	1				ED0, EK0			NUT, Hex Flange, M8x1.25



LIBERTY (KJ)

SERIES LINE  
P = LIMITED J = JEEP - 4WD  
H = SPORT U = JEEP - 4WD (RHD)  
M = RENEGADE T = JEEP - 2WD

BODY  
74 = SPORT UTILITY 4-DR

ENGINE  
ED1 = Engine - 2.4L 4 Cyl DOHC 16v SMPI  
EK0 = Engine - 3.7L V6  
ENR = Engine - 2.8L 4 Cyl Turbo Diesel  
ENO = 4CYL turbo diesel

TRANSMISSION  
DGQ = Transmission-5-Spd Automatic 5-45RFE  
DG6 = Transmission-4-Spd. Automatic, 42RLE  
DEH = Transmission-6-Speed Manual, NSG370  
DG0 = Transmissions - All Automatic  
DBB = ALL MANUAL TRANSMISSIONS

AR = use ase required - = Non illustrated part

2005 KJ

Emission Vacuum Harness [2.4L ED0, 3.7L EK0]

Figure 25-420

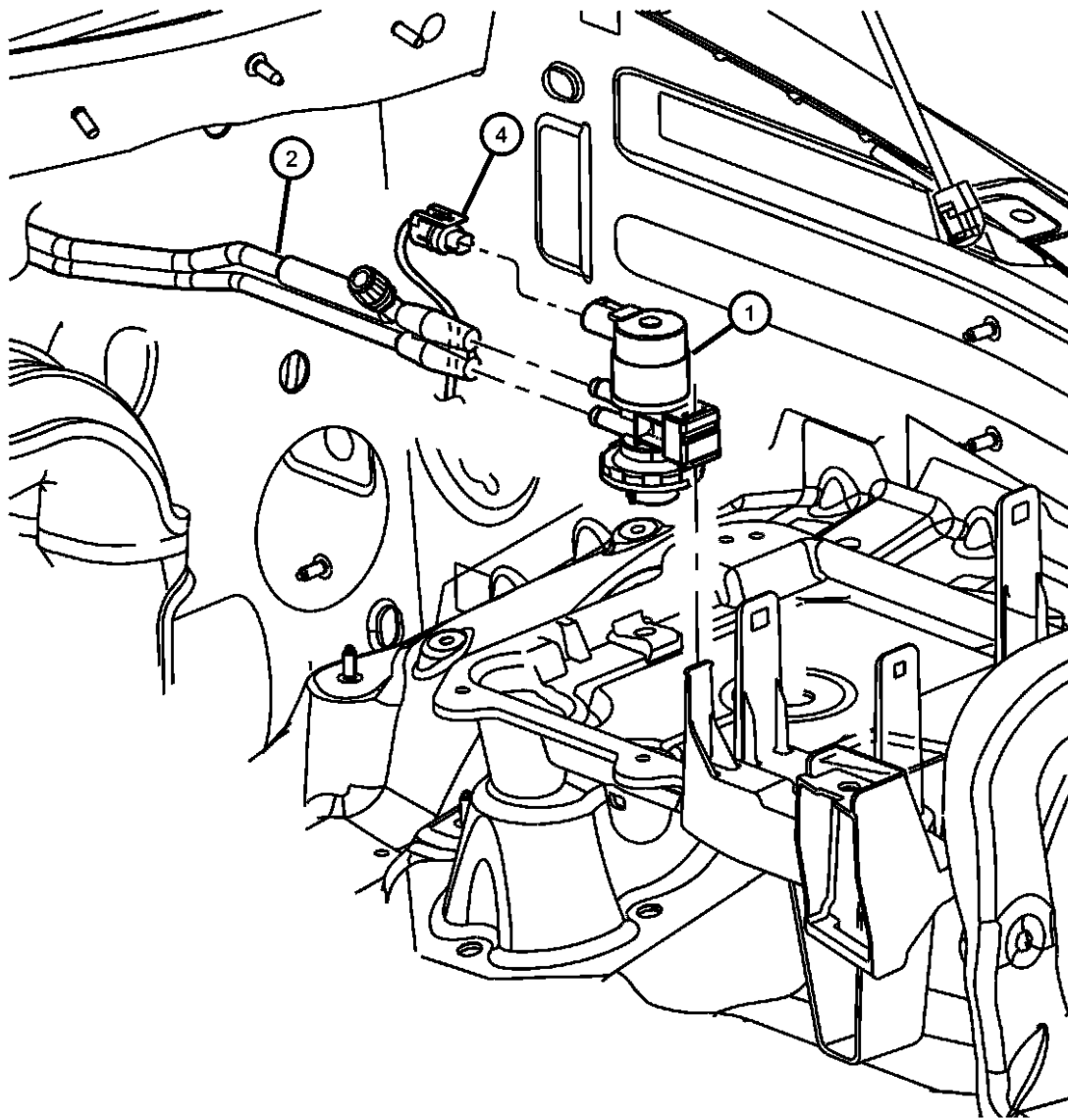
ITEM	PART NUMBER	QTY	LINE	SERIES	BODY	ENGINE	TRANS	TRIM	DESCRIPTION
------	-------------	-----	------	--------	------	--------	-------	------	-------------

Note; Sales Codes

[ED0]= All 2.2L, 2.5L, 2.4L, 4 Cylinder Gas Engines

[EK0]= All 3.7L 6 Cylinder Gas Engines

1	52090419AA	1				ED0, EK0			SOLENOID, Proportional Purge
2	52128696AC	1				EK0			HARNESS, Vapor Purge
		1				ED0			
-3									TUBE, Vacuum, From Vapor
	52128663AB	1				EK0			Harness To Throttle Body
	52128666AB	1				ED0			
4	52128666AB	1							CONNECTOR, See Headlamp
									To Dash Wiring , Group 8, (NOT
									SERVICED)
-5	03580172	1							CAP, Vacuum



LIBERTY (KJ)

SERIES      LINE  
 P = LIMITED      J = JEEP - 4WD  
 H = SPORT      U = JEEP - 4WD (RHD)  
 M = RENEGADE      T = JEEP - 2WD

BODY  
 74 = SPORT UTILITY 4-DR

ENGINE  
 ED1 = Engine - 2.4L 4 Cyl  
 DOHC 16v SMPI  
 EKG = Engine - 3.7L V6  
 ENR = Engine - 2.8L 4 Cyl  
 Turbo Diesel  
 ENO = 4CYL turbo diesel

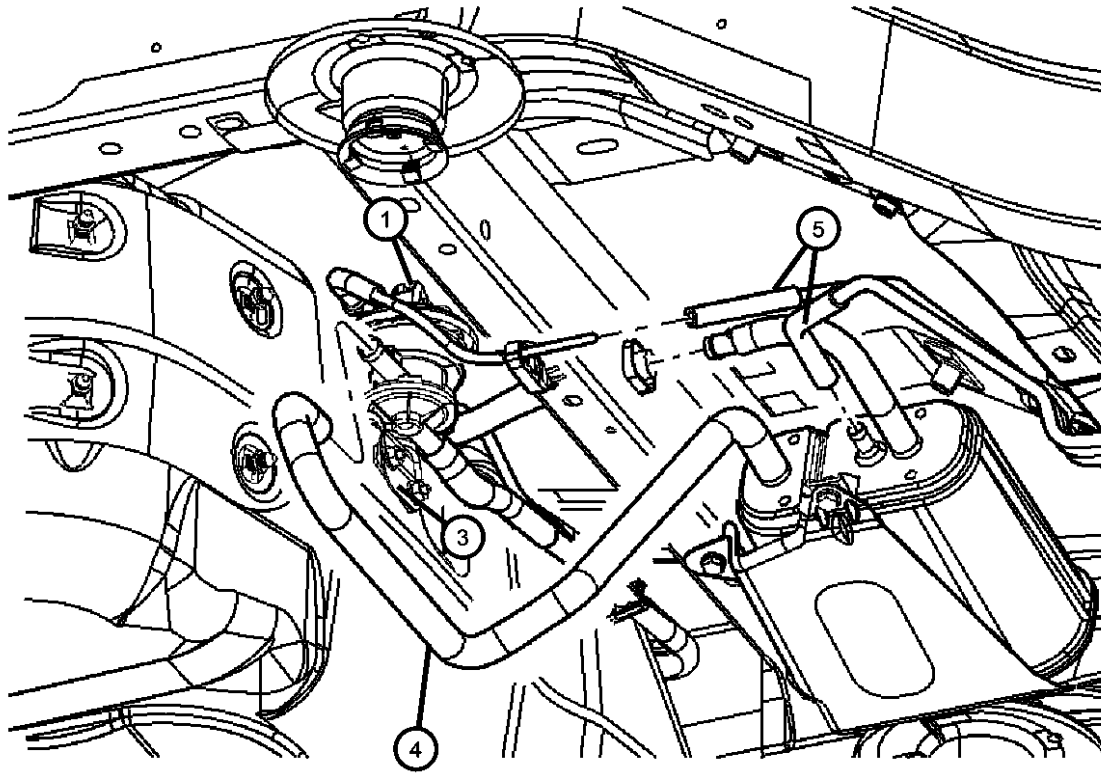
TRANSMISSION  
 DGQ = Transmission-5-Spd Automatic  
 5-45RFE  
 DG6 = Transmission-4-Spd.  
 Automatic, 42RLE  
 DEH = Transmission-6-Speed Manual,  
 NSG370  
 DG0 = Transmissions - All Automatic  
 DBB = ALL MANUAL  
 TRANSMISSIONS

AR = use ase required - = Non illustrated part

2005 KJ

**Leak Detection Pump, [2.4L ED0 3.7L EK0]  
Figure 25-430**

ITEM	PART NUMBER	QTY	LINE	SERIES	BODY	ENGINE	TRANS	TRIM	DESCRIPTION
Note; Sales Code [ED0]= All 2.2L, 2.5L, 2.4L, 4 Cylinder Gas Engines [EK0]= All 3.7L 6 Cylinder Gas Engines									
1	04891525AB	1				ED0, EK0			DETECTOR, Natural Vacuum Leak Detection
-2	05085164AA	1				ED0, EK0			FILTER, Leak Detection Pump
3	52128629AC	1				ED0, EK0			BRACKET, Natural Vacuum Leak Detection
4	52128661AA	1				ED0, EK0			HOSE, Canister to NVLD
5	52128661AA	1							BUNDLE, Fuel Line, Service in group 14, (NOT SERVICED)
-6	52128679AB	1				ED0, EK0			HOSE, Canister to Vent Valve
-7									TUBE, Vacuum
	52128663AB	1				EK0			
	52128666AB	1				ED0			
-8	52128637AC	1				ED0, EK0			TUBE, Fuel Vapor
-9	52128631AC	1				ED0, EK0			TUBE, Vapor
-10	04891562AA	1				ED0, EK0			CANISTER, Vapor



**LIBERTY (KJ)**

SERIES      LINE  
P = LIMITED      J = JEEP - 4WD  
H = SPORT      U = JEEP - 4WD (RHD)  
M = RENEGADE      T = JEEP - 2WD

BODY  
74 = SPORT UTILITY 4-DR

ENGINE  
ED1 = Engine - 2.4L 4 Cyl DOHC 16v SMPI  
EK0 = Engine - 3.7L V6  
ENR = Engine - 2.8L 4 Cyl Turbo Diesel  
ENO = 4CYL turbo diesel

TRANSMISSION  
DGQ = Transmission-5-Spd Automatic 5-45RFE  
DG6 = Transmission-4-Spd. Automatic, 42RLE  
DEH = Transmission-6-Speed Manual, NSG370  
DG0 = Transmissions - All Automatic  
DBB = ALL MANUAL TRANSMISSIONS

AR = use ase required - = Non illustrated part

2005 KJ

# Group - DKJ

## Doors and Related Parts

### Group - DKJ Doors and Related Parts

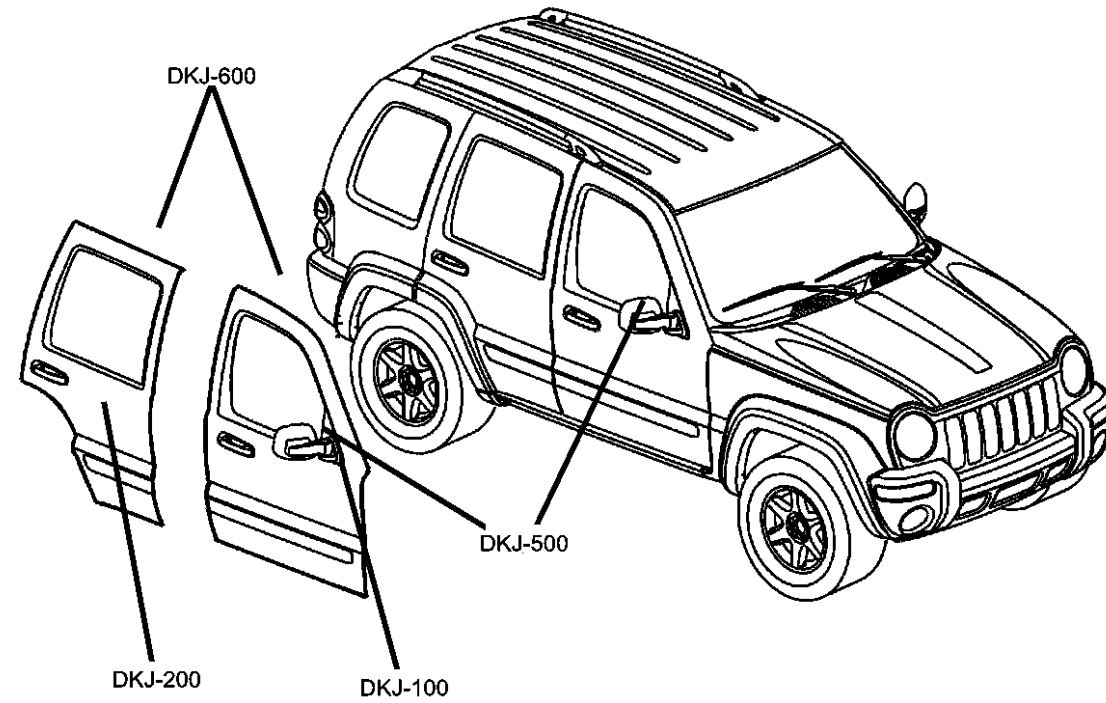


Illustration Title

Group-Fig. No.

#### Front Door

Door, Front, Shell and Hinges .....	Fig. DKJ - 110
Door, Front, Glass and Regulator .....	Fig. DKJ - 120
Door, Front, Lock and Controls .....	Fig. DKJ - 130

#### Rear Door

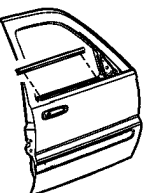
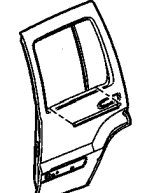

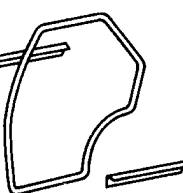
Door, Rear, Shell and Hinges .....	Fig. DKJ - 210
Door, Rear, Glass and Regulator .....	Fig. DKJ - 220
Door, Rear, Lock and Controls .....	Fig. DKJ - 230

#### Exterior Mirror

Mirrors, Exterior .....	Fig. DKJ - 510
-------------------------	----------------

#### Weatherstrips and Seals

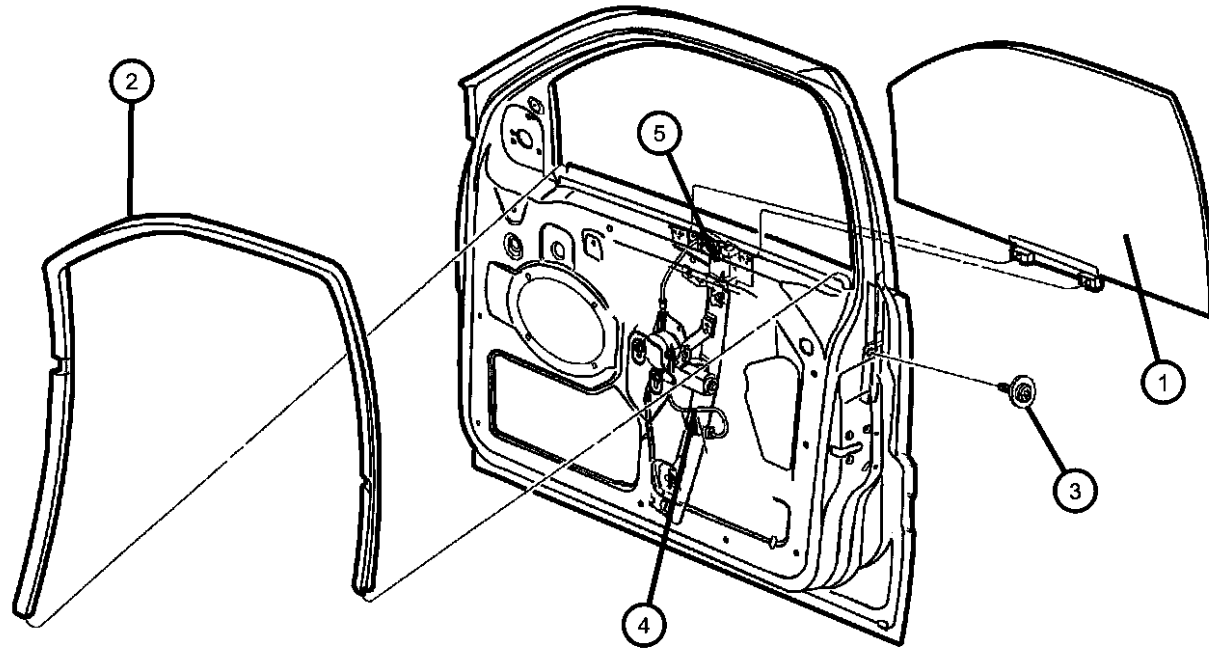
Door, Front .....	Fig. DKJ - 610
Door, Rear .....	Fig. DKJ - 620

<p><b>DKJ-100</b> Front Door</p> 	<p><b>DKJ-200</b> Rear Door</p> 	<p><b>DKJ-500</b> Exterior Mirror</p> 	<p><b>DKJ-600</b> Weatherstrips and Seals</p> 
--	---	--	---



**Door, Front, Glass and Regulator  
Figure DKJ-120**

ITEM	PART NUMBER	QTY	LINE	SERIES	BODY	ENGINE	TRANS	TRIM	DESCRIPTION
1	55360374AH DD09984GTY	1							GLASS, Front Door Right Collision Replacement Glass
	55360375AH DD09985GTY	1							Left Collision Replacement Glass
2	55235874AD 55235875AD	1 1							WEATHERSTRIP, Glass Channel Run Right Left
3	55235875AD	1							SCREW AND WASHER, Tapping, M6-1.0x20.0, (NOT SERVICED)
4	55360030AJ 55360031AJ	1 1							REGULATOR, Front Door Window Right Left
5	55360031AJ	1							SCREW, M6X1.00X16.00, (NOT SERVICED)



**LIBERTY (KJ)**

SERIES      LINE  
P = LIMITED      J = JEEP - 4WD  
H = SPORT      U = JEEP - 4WD (RHD)  
M = RENEGADE      T = JEEP - 2WD

BODY  
74 = SPORT UTILITY 4-DR

ENGINE  
ED1 = Engine - 2.4L 4 Cyl  
DOHC 16v SMPI  
EKG = Engine - 3.7L V6  
ENR = Engine - 2.8L 4 Cyl  
Turbo Diesel  
ENO = 4CYL turbo diesel

TRANSMISSION  
DGQ = Transmission-5-Spd Automatic  
5-45RFE  
DG6 = Transmission-4-Spd.  
Automatic, 42RLE  
DEH = Transmission-6-Speed Manual,  
NSG370  
DG0 = Transmissions - All Automatic  
DBB = ALL MANUAL  
TRANSMISSIONS

AR = use ase required - = Non illustrated part

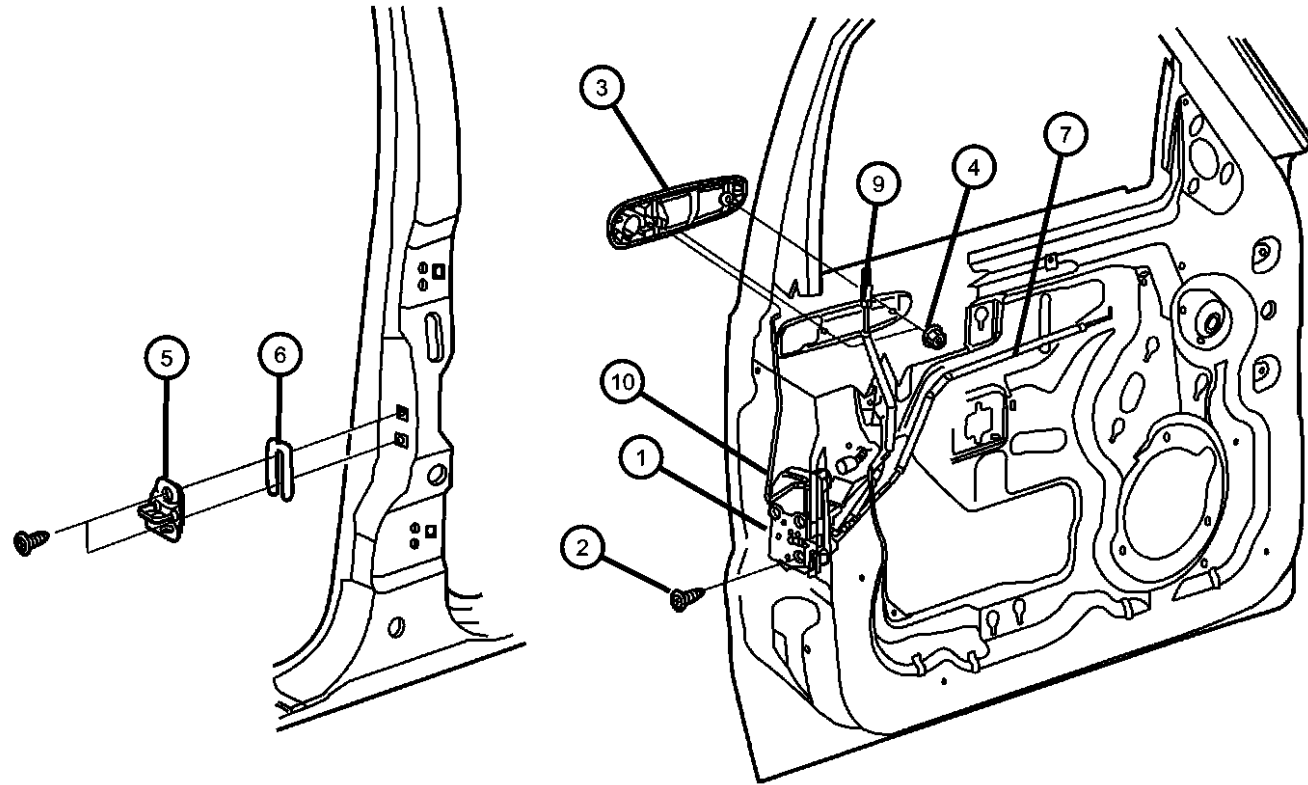
2005 KJ



**Door, Front, Lock and Controls  
Figure DKJ-130**

ITEM	PART NUMBER	QTY	LINE	SERIES	BODY	ENGINE	TRANS	TRIM	DESCRIPTION
------	-------------	-----	------	--------	------	--------	-------	------	-------------

Note; Sales Codes  
[JPB]= Power Locks



1									LATCH, Front Door
	55177040AJ	1							Without [JPB,JPH], Right
	55177041AI	1							Without [JPB,JPH], Left
	55177042AJ	1							[JPB,JPH] [After 1-14-04], Right
	55177043AI	1							[JPB,JPH] [After 1-20-04], Left
	55360611AC	1							[GXM] [After 1-13-04], Right
2	06033876	6							SCREW, Tapping, M6.3x1.8x38.1
3									HANDLE, Front Door Exterior
	55360332AF	1							With Cylinder, Right
	55360333AF	1							, Left
	55360614AB	1							Without Cylinder, Right
4	06503226	2							NUT, Hex Flange, M5x.8
5	04780607AA	2							STRIKER, Door
6	04520289	AR							SPACER, Door Latch Striker
7									ROD, Inside Handle to Latch
	05072350AA	1							Right
	05072351AA	1							Left
-8	04658677	2							CLIP, Latch Link
9									ROD, Latch To Knob
	55360534AC	1							Right
	55360535AC	1							Left
10									LINK, Exterior Door Handle
	05072358AB	1							Right
	05072359AB	1							Left

**LIBERTY (KJ)**

SERIES      LINE  
P = LIMITED      J = JEEP - 4WD  
H = SPORT      U = JEEP - 4WD (RHD)  
M = RENEGADE      T = JEEP - 2WD

BODY  
74 = SPORT UTILITY 4-DR

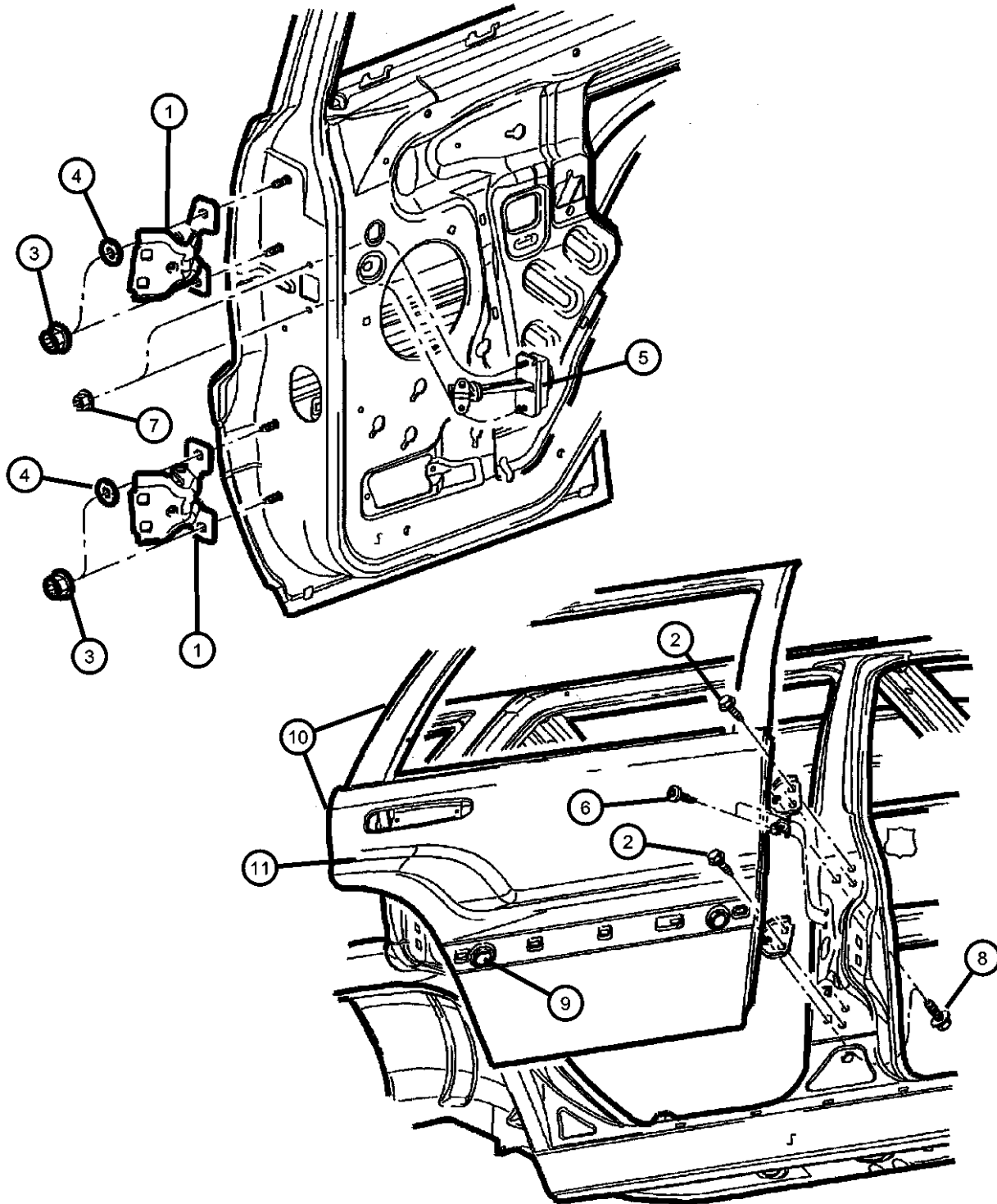
ENGINE  
ED1 = Engine - 2.4L 4 Cyl  
DOHC 16v SMPI  
EKG = Engine - 3.7L V6  
ENR = Engine - 2.8L 4 Cyl  
Turbo Diesel  
ENO = 4CYL turbo diesel

TRANSMISSION  
DGQ = Transmission-5-Spd Automatic  
5-45RFE  
DG6 = Transmission-4-Spd.  
Automatic, 42RLE  
DEH = Transmission-6-Speed Manual,  
NSG370  
DG0 = Transmissions - All Automatic  
DBB = ALL MANUAL  
TRANSMISSIONS

AR = use ase required    - = Non illustrated part

2005 KJ

Door, Rear, Shell and Hinges  
Figure DKJ-210



ITEM	PART NUMBER	QTY	LINE	SERIES	BODY	ENGINE	TRANS	TRIM	DESCRIPTION
1	55177030AD	4							HINGE, Door
2	06503328	4							SCREW, Hex Head, M8x1.25x30
3	06101809	1							NUT AND WASHER, Hex, M8x1.25
4	55136971AC	4							WASHER, Flat
5	55177036AC	2							CHECK, Rear Door
6	55177036AC	2							SCREW, Torx Head, M6x1.00x16.00, (NOT SERVICED)
7	06503504	2							NUT AND WASHER, Hex, M6x1
8	06503504	2							SCREW AND WASHER, Hex Head, M8x1.25x30, (NOT SERVICED)
9	55136859AA	2							PLUG
10									DOOR, Rear
	55176906AG	1							Right
	55176907AG	1							Left
11									PANEL, Rear Door
	55176908AD	1							Right
	55176909AD	1							Left

LIBERTY (KJ)

SERIES      LINE  
P = LIMITED      J = JEEP - 4WD  
H = SPORT      U = JEEP - 4WD (RHD)  
M = RENEGADE      T = JEEP - 2WD

BODY  
74 = SPORT UTILITY 4-DR

ENGINE  
ED1 = Engine - 2.4L 4 Cyl DOHC 16v SMPI  
EKG = Engine - 3.7L V6  
ENR = Engine - 2.8L 4 Cyl Turbo Diesel  
ENO = 4CYL turbo diesel

TRANSMISSION  
DGQ = Transmission-5-Spd Automatic 5-45RFE  
DG6 = Transmission-4-Spd. Automatic, 42RLE  
DEH = Transmission-6-Speed Manual, NSG370  
DG0 = Transmissions - All Automatic  
DBB = ALL MANUAL TRANSMISSIONS

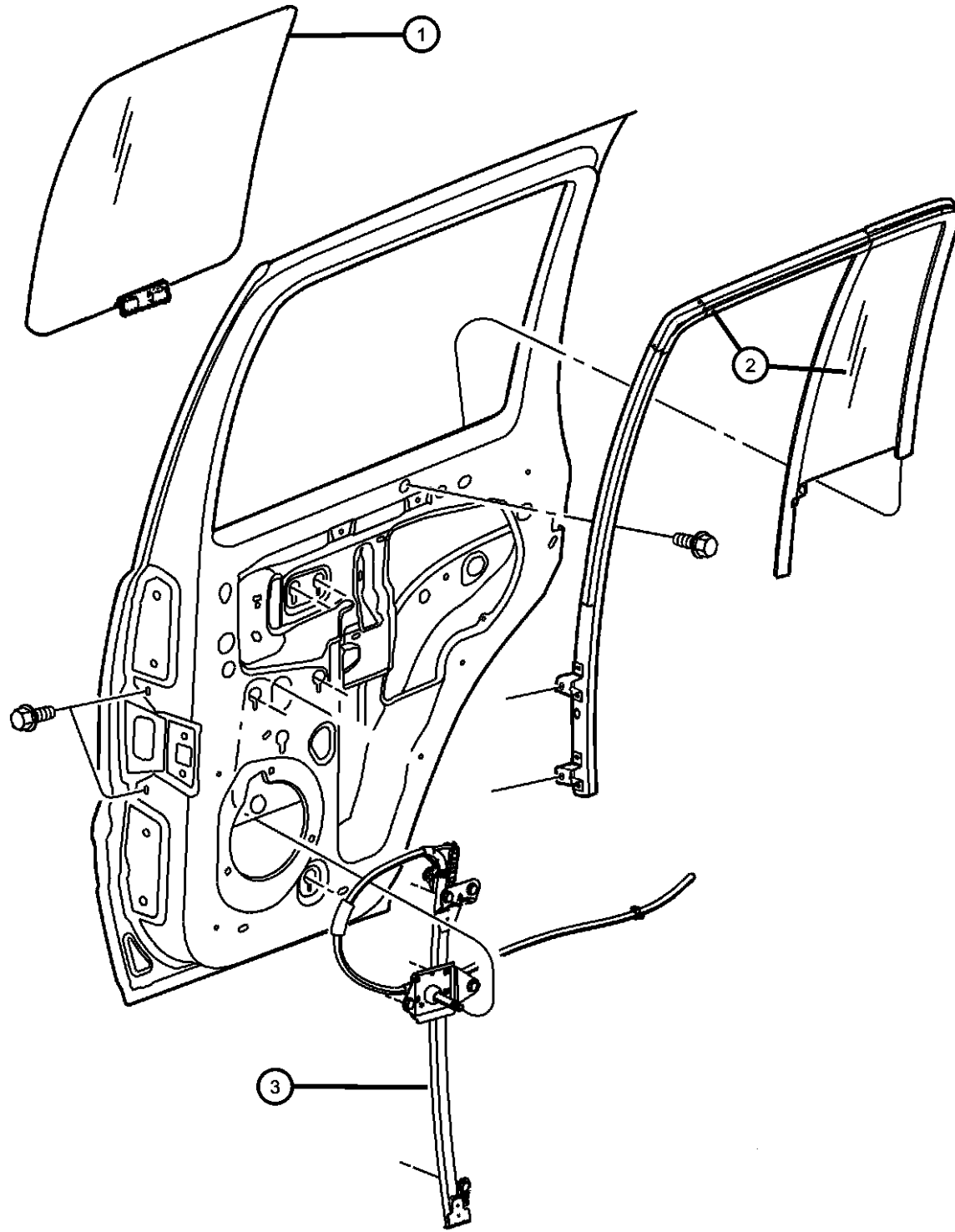
AR = use ase required - = Non illustrated part

2005 KJ

**Door, Rear, Glass and Regulator  
Figure DKJ-220**

ITEM	PART NUMBER	QTY	LINE	SERIES	BODY	ENGINE	TRANS	TRIM	DESCRIPTION
------	-------------	-----	------	--------	------	--------	-------	------	-------------

Note; Sales Codes  
 [GEG] = Glass - Deep Tint Sunscreen  
 [GEJ] = Glass - Tinted  
 [JPD] = Window - Power



1									GLASS, Rear Door, Roll Up
	55360376AG	1							[GEJ], Right
	DD09986GT								Collision Replacement Glass
	55360377AG	1							[GEJ], Left
	DD09987GT								Collision Replacement Glass
	55360378AH	1							[GEG], Right
	DD10725YP								Collision Replacement Glass
	55360379AH	1							[GEG], Left
	DD10726YP								Collision Replacement Glass
2									GLASS, Rear Door, Fixed, With Weatherstrip
	55235876AL	1							[GEJ], Right
	55235877AM	1							[GEJ], Left
	55360172AL	1							[GEG], Right
	55360173AM	1							[GEG], Left
3									REGULATOR, Rear Door Window
	55360034AH	1							Right
	55360035AH	1							Left

**LIBERTY (KJ)**

SERIES      LINE  
 P = LIMITED      J = JEEP - 4WD  
 H = SPORT      U = JEEP - 4WD (RHD)  
 M = RENEGADE      T = JEEP - 2WD

BODY  
 74 = SPORT UTILITY 4-DR

ENGINE  
 ED1 = Engine - 2.4L 4 Cyl DOHC 16v SMPI  
 EKG = Engine - 3.7L V6  
 ENR = Engine - 2.8L 4 Cyl Turbo Diesel  
 ENO = 4CYL turbo diesel

TRANSMISSION  
 DGQ = Transmission-5-Spd Automatic 5-45RFE  
 DG6 = Transmission-4-Spd. Automatic, 42RLE  
 DEH = Transmission-6-Speed Manual, NSG370  
 DG0 = Transmissions - All Automatic  
 DBB = ALL MANUAL TRANSMISSIONS

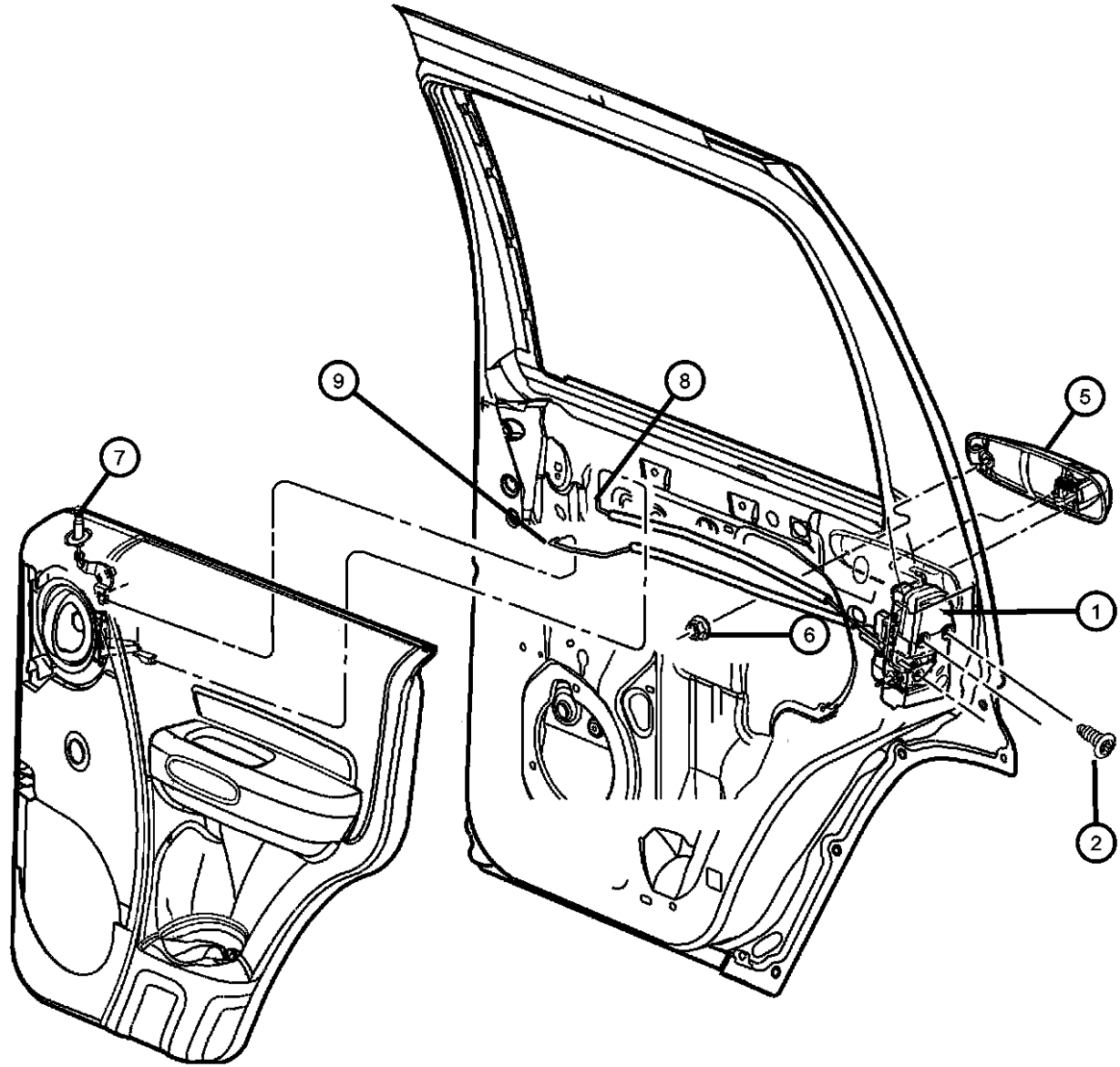
AR = use ase required - = Non illustrated part

2005 KJ

**Door, Rear, Lock and Controls  
Figure DKJ-230**

ITEM	PART NUMBER	QTY	LINE	SERIES	BODY	ENGINE	TRANS	TRIM	DESCRIPTION
------	-------------	-----	------	--------	------	--------	-------	------	-------------

Note: Sales Codes  
[JPB]- Power Locks



1									LATCH, Rear Door
	55177044AI	1							With [JPB,JPH], Right
	55177045AI	1							With [JPB,JPH], Left
	55177046AG	1							Without [JPB,JPH], Right
	55177047AG	1							Without [JPB,JPH], Left
2	06033876	6							SCREW, Tapping, M6.3x1.8x38.1
-3	04780607AA	2							STRIKER, Door
-4	04520289	AR							SPACER, Door Latch Striker
5									HANDLE, Exterior Door
	55360334AF	1							Right
	55360335AF	1							Left
6	06503226	2							NUT, Hex Flange, M5x.8
7									KNOB, Door Lock
	55360464AB	1							Right
	55360465AB	1							Left
8	05072356AA	1							ROD, Inside Handle to LatchRight
9	05072360AB	1							ROD, Inside Lock to LatchRight
-10									LINK, Exterior Door Handle
	05072358AB	1							Right
	05072359AB	1							Left
-11	05014396AA	1							COVER, Latch-Anti TheftLeft
-12	55177044AI	1							LATCH, Rear Door, JPD,JPH, Right Rear

**LIBERTY (KJ)**

SERIES      LINE  
P = LIMITED      J = JEEP - 4WD  
H = SPORT      U = JEEP - 4WD (RHD)  
M = RENEGADE      T = JEEP - 2WD

BODY  
74 = SPORT UTILITY 4-DR

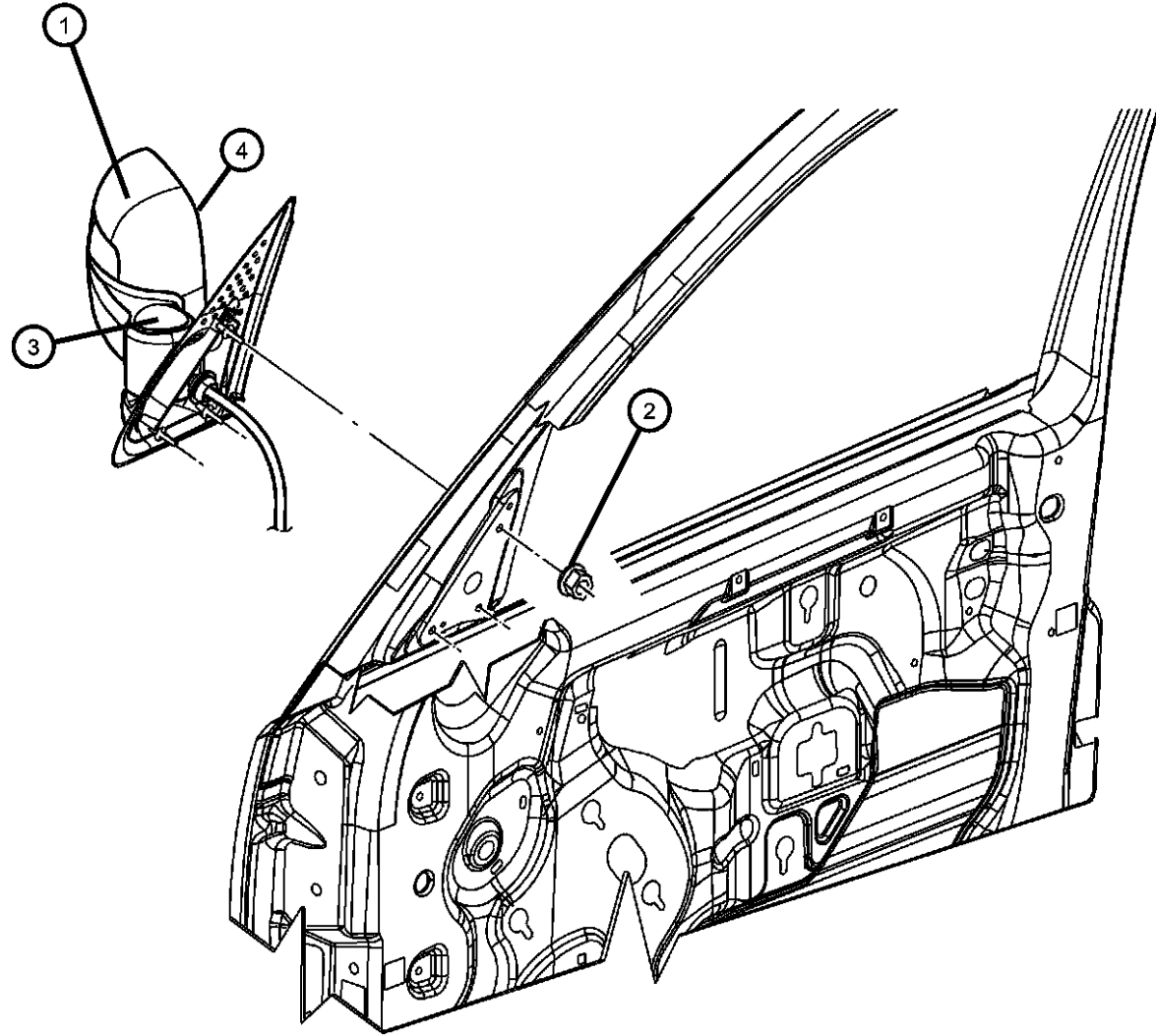
ENGINE  
ED1 = Engine - 2.4L 4 Cyl  
DOHC 16v SMPI  
EKG = Engine - 3.7L V6  
ENR = Engine - 2.8L 4 Cyl  
Turbo Diesel  
ENO = 4CYL turbo diesel

TRANSMISSION  
DGQ = Transmission-5-Spd Automatic  
5-45RFE  
DG6 = Transmission-4-Spd.  
Automatic, 42RLE  
DEH = Transmission-6-Speed Manual,  
NSG370  
DG0 = Transmissions - All Automatic  
DBB = ALL MANUAL  
TRANSMISSIONS

AR = use ase required - = Non illustrated part

2005 KJ

Mirrors, Exterior  
Figure DKJ-510



ITEM	PART NUMBER	QTY	LINE	SERIES	BODY	ENGINE	TRANS	TRIM	DESCRIPTION
Note; Sales Codes [GT9] = Mirrors - Power Heated Memory F/Away [GTB] = Mirrors - Power Heated [GTJ] = Mirrors - Power [GTP] = Mirrors - Manual - Fold Away [GPF] = Mirrors - Manual - Fold Away Black									
1									MIRROR, Outside Rearview
	55155836AE	1	J, T						[GTP], Right
	55155837AE	1	J, T						[GTP], Left
	55155839AF	1	J, T						[GTB], Right
	55155840AF	1	J, T						[GT9], Right
	55155841AF	1	J, T						[GT9], Left
	55155842AF	1							[GTS], Right
	55155843AF	1	J, T						[GTS,GTB], Left
	55155846AF	1	U						[GTJ], Right
	55155847AF	1	U						[GTJ], Left
	55155848AE	1	U						[GPF], Right
	55155849AE	1	U						[GPF], Left
2	06504047	6							NUT AND WASHER, Hex, M5x.80
3									COVER, Mirror Flag
	05086298AA	1	J, T						Right
		1	J, T						Right
		1	U						Left
	05086299AA	1	U						Left
4									GLASS, Mirror Replacement
	05134236AA	1							Right
	05134237AA	1	J, T						Left
	05134238AA	1	J, T						[GT9], Right
	05134239AA	1	J, T						[GT9], Left
	05134240AA	1	U						[GTJ], Right
	05134241AA	1	U						[GTJ], Left
	05134242AA	1	J, T						[GTB], Right

LIBERTY (KJ)

SERIES      LINE  
P = LIMITED      J = JEEP - 4WD  
H = SPORT      U = JEEP - 4WD (RHD)  
M = RENEGADE      T = JEEP - 2WD

BODY  
74 = SPORT UTILITY 4-DR

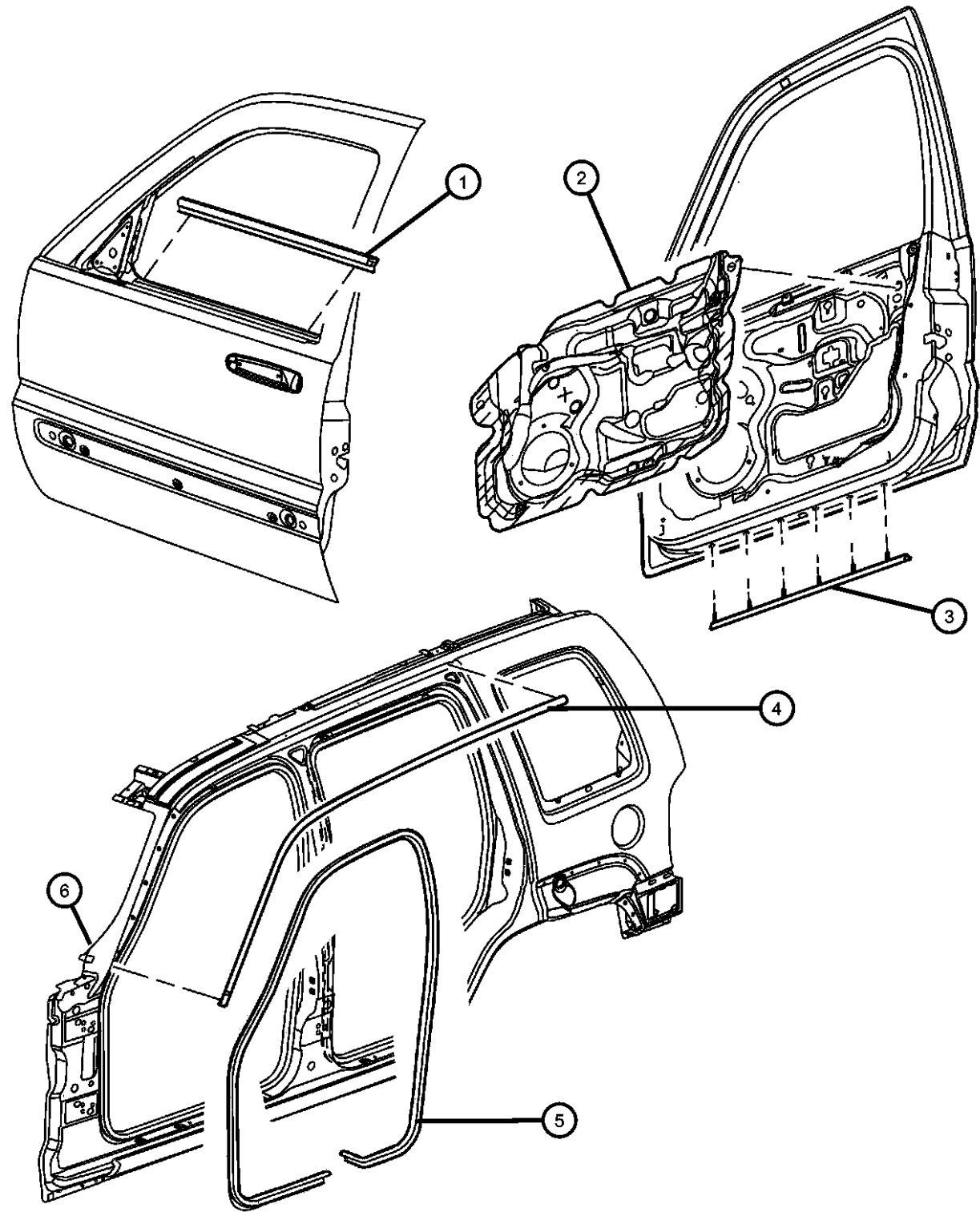
ENGINE  
ED1 = Engine - 2.4L 4 Cyl  
DOHC 16v SMPI  
EKG = Engine - 3.7L V6  
ENR = Engine - 2.8L 4 Cyl  
Turbo Diesel  
ENO = 4CYL turbo diesel

TRANSMISSION  
DGQ = Transmission-5-Spd Automatic  
5-45RFE  
DG6 = Transmission-4-Spd.  
Automatic, 42RLE  
DEH = Transmission-6-Speed Manual,  
NSG370  
DG0 = Transmissions - All Automatic  
DBB = ALL MANUAL  
TRANSMISSIONS

AR = use ase required - = Non illustrated part

2005 KJ

Door, Front  
Figure DKJ-610



ITEM	PART NUMBER	QTY	LINE	SERIES	BODY	ENGINE	TRANS	TRIM	DESCRIPTION
1	55360642AB	1							WEATHERSTRIP, Door Belt Right
	55360643AB	1							Left
2	55235892AH	1							WATERDAM, Front Door Right
	55235893AH	1							Left
3	55360663AA	2							SEAL, Rocker
4	55235918AJ	1							SEAL, Door Right
	55235919AJ	1							Left
5	5GU15XXXAK	2							WEATHERSEAL, Full Door To Body
6	55360542AD	1							SEAL, A-Pillar Blocker, Body Mounted Right
	55360543AD	1							Left
-7	55360256AC	2							SEAL, A-Pillar, Door Mounted

LIBERTY (KJ)

SERIES      LINE  
P = LIMITED      J = JEEP - 4WD  
H = SPORT      U = JEEP - 4WD (RHD)  
M = RENEGADE      T = JEEP - 2WD

BODY  
74 = SPORT UTILITY 4-DR

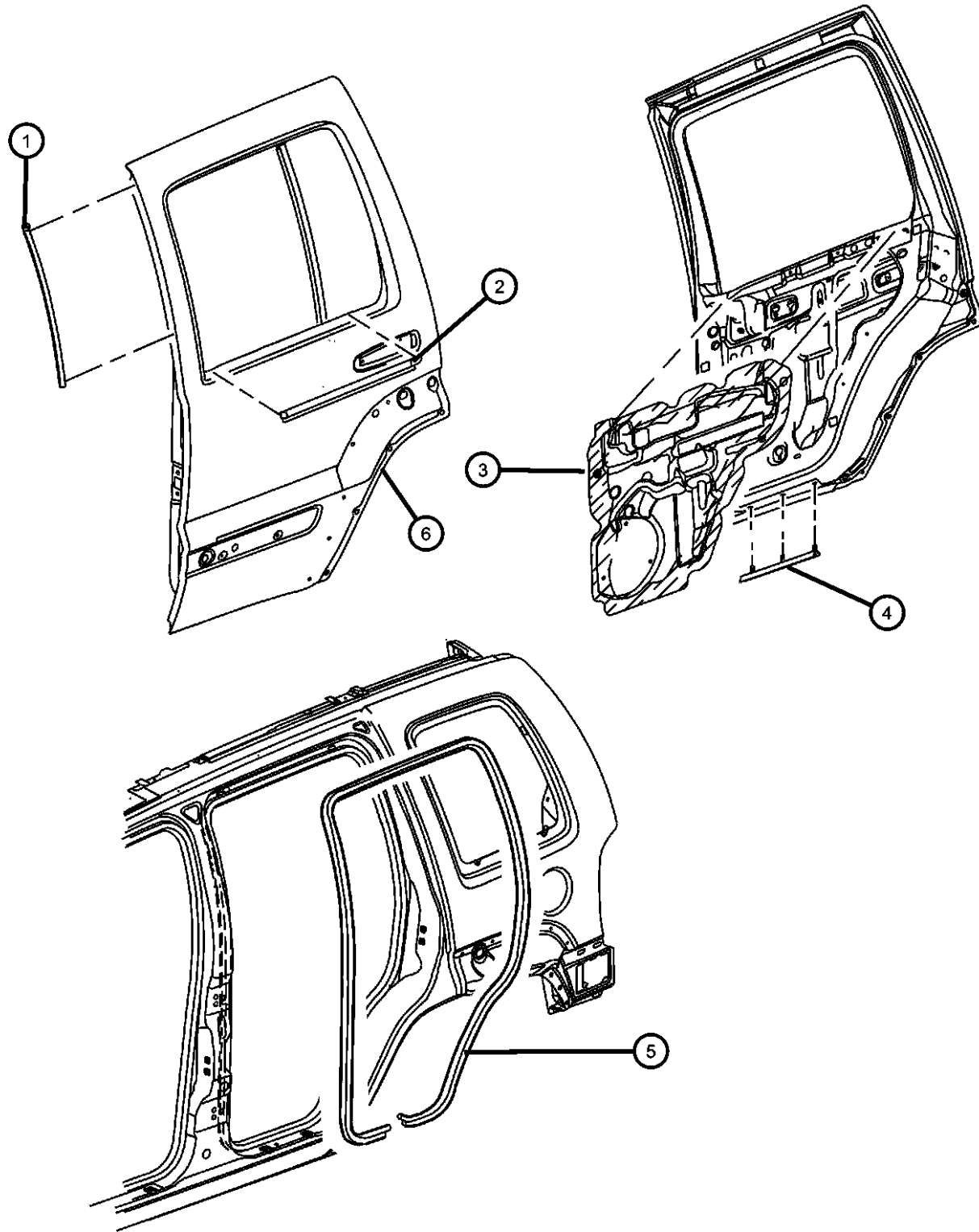
ENGINE  
ED1 = Engine - 2.4L 4 Cyl  
DOHC 16v SMPI  
EKG = Engine - 3.7L V6  
ENR = Engine - 2.8L 4 Cyl  
Turbo Diesel  
ENO = 4CYL turbo diesel

TRANSMISSION  
DGQ = Transmission-5-Spd Automatic  
5-45RFE  
DG6 = Transmission-4-Spd.  
Automatic, 42RLE  
DEH = Transmission-6-Speed Manual,  
NSG370  
DG0 = Transmissions - All Automatic  
DBB = ALL MANUAL  
TRANSMISSIONS

AR = use ase required - = Non illustrated part

2005 KJ

Door, Rear  
Figure DKJ-620



ITEM	PART NUMBER	QTY	LINE	SERIES	BODY	ENGINE	TRANS	TRIM	DESCRIPTION
1	55360780AA	2							WEATHERSTRIP, B Pillar Secondary
2									WEATHERSTRIP, Belt Right
	55360644AD	1							Left
	55360645AD	1							Right
3									WATERDAM, Rear Door Right
	55235894AH	1							Left
	55235895AH	1							Right
4	55360664AA	2							SEAL, Rocker
5	5GU13XXXAN	2							WEATHERSEAL, Full Door To BodyRight & Left
6	55360254AA	1							SEAL, Moulding

LIBERTY (KJ)

SERIES      LINE  
P = LIMITED      J = JEEP - 4WD  
H = SPORT      U = JEEP - 4WD (RHD)  
M = RENEGADE      T = JEEP - 2WD

BODY  
74 = SPORT UTILITY 4-DR

ENGINE  
ED1 = Engine - 2.4L 4 Cyl  
DOHC 16v SMPI  
EKG = Engine - 3.7L V6  
ENR = Engine - 2.8L 4 Cyl  
Turbo Diesel  
ENO = 4CYL turbo diesel

TRANSMISSION  
DGQ = Transmission-5-Spd Automatic  
5-45RFE  
DG6 = Transmission-4-Spd.  
Automatic, 42RLE  
DEH = Transmission-6-Speed Manual,  
NSG370  
DG0 = Transmissions - All Automatic  
DBB = ALL MANUAL  
TRANSMISSIONS

AR = use ase required - = Non illustrated part

2005 KJ

# Group - EKJ

## Exterior Ornamentation

### Group - EKJ Exterior Ornamentation

Group-Fig. No.

Illustration Title

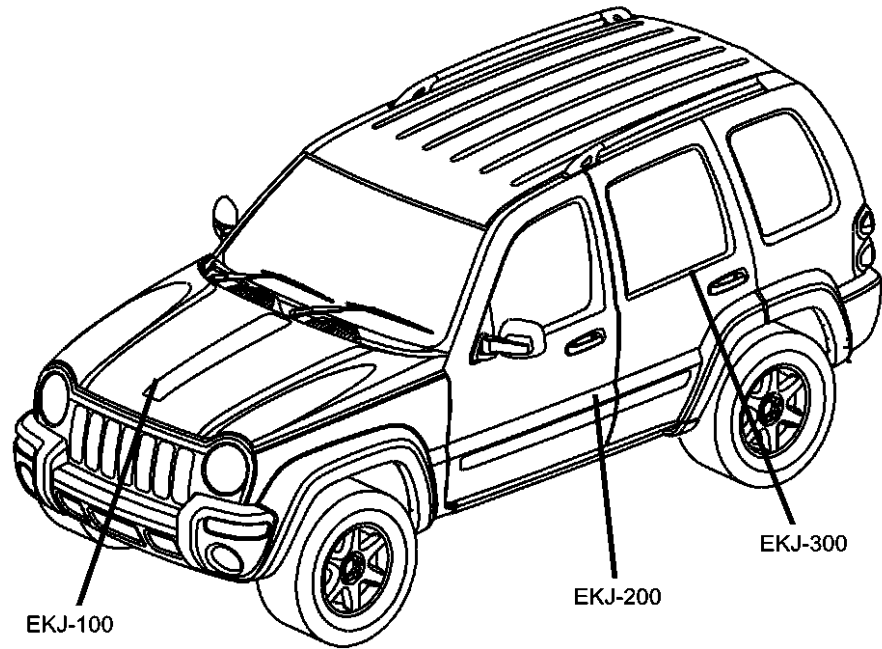
#### Nameplates


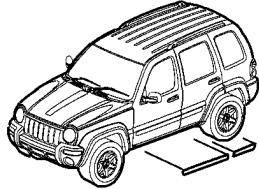
Nameplates ..... Fig. EKJ - 110

#### Moldings and Ornamentation

Moldings, Body Side ..... Fig. EKJ - 210

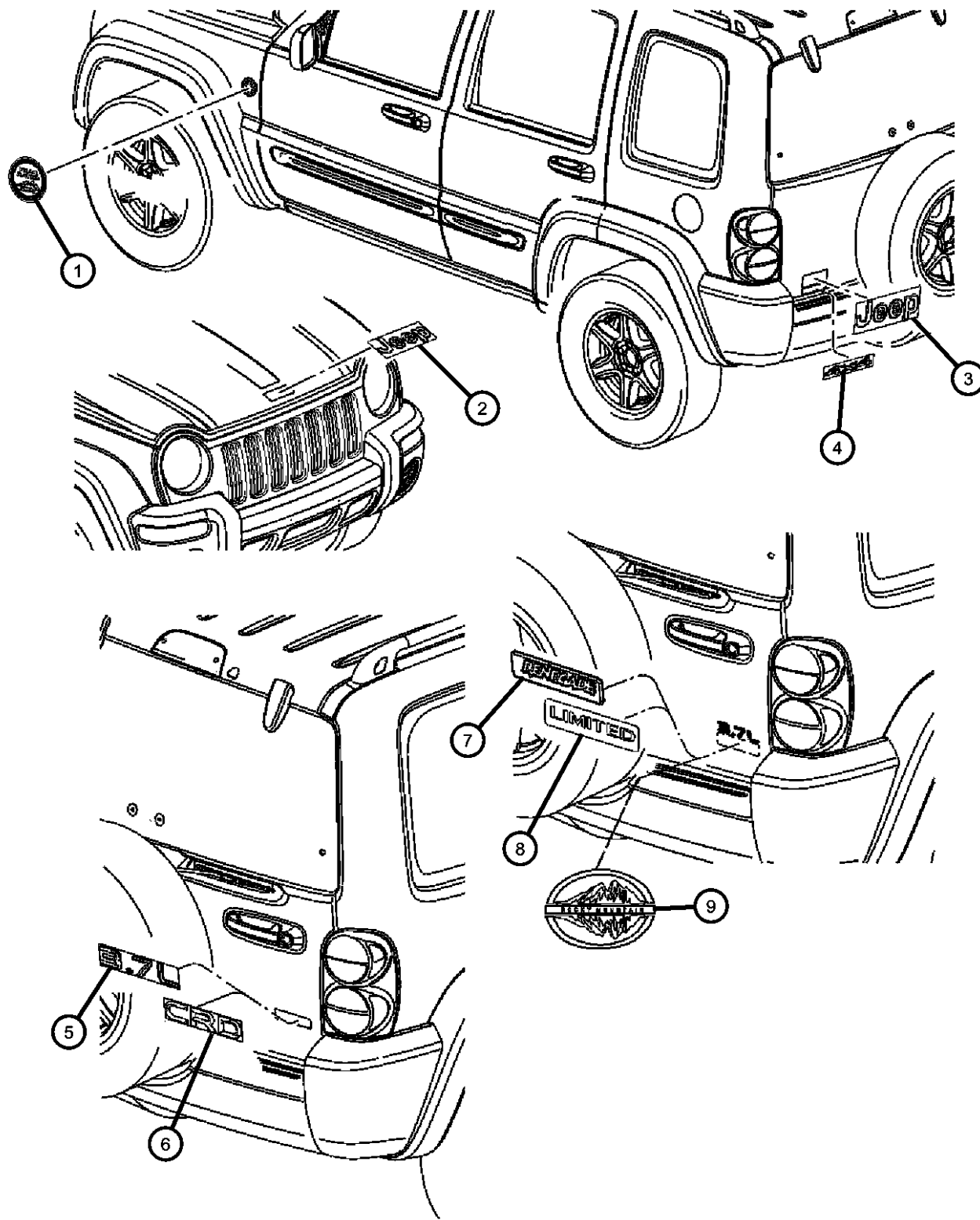
Side Rails, Tubular [MRK] ..... Fig. EKJ - 220



<p><b>EKJ-100</b> Nameplates</p> 	<p><b>EKJ-200</b> Moldings and Ornamentation</p> 		
--	--	--	--



Nameplates  
Figure EKJ-110



ITEM	PART NUMBER	QTY	LINE	SERIES	BODY	ENGINE	TRANS	TRIM	DESCRIPTION
1	55157318AA	1							MEDALLION, Trail Rated
2	55157088AA	1							NAMEPLATE, Jeep
3	55157089AA	1							NAMEPLATE, Jeep
4	55157091AB	1							NAMEPLATE, 4X4
5	55157096AB	1							NAMEPLATE, 3.7L
6	55157095AA	1							NAMEPLATE, CRD
7	55157097AB	2							NAMEPLATE, Renegade
8	55157090AB	1							NAMEPLATE, Limited
9	55157428AA	1							NAMEPLATE, Rocky Mountain

LIBERTY (KJ)

SERIES            LINE  
P = LIMITED      J = JEEP - 4WD  
H = SPORT        U = JEEP - 4WD (RHD)  
M = RENEGADE   T = JEEP - 2WD

BODY  
74 = SPORT UTILITY 4-DR

ENGINE  
ED1 = Engine - 2.4L 4 Cyl  
DOHC 16v SMPI  
EKG = Engine - 3.7L V6  
ENR = Engine - 2.8L 4 Cyl  
Turbo Diesel  
ENO = 4CYL turbo diesel

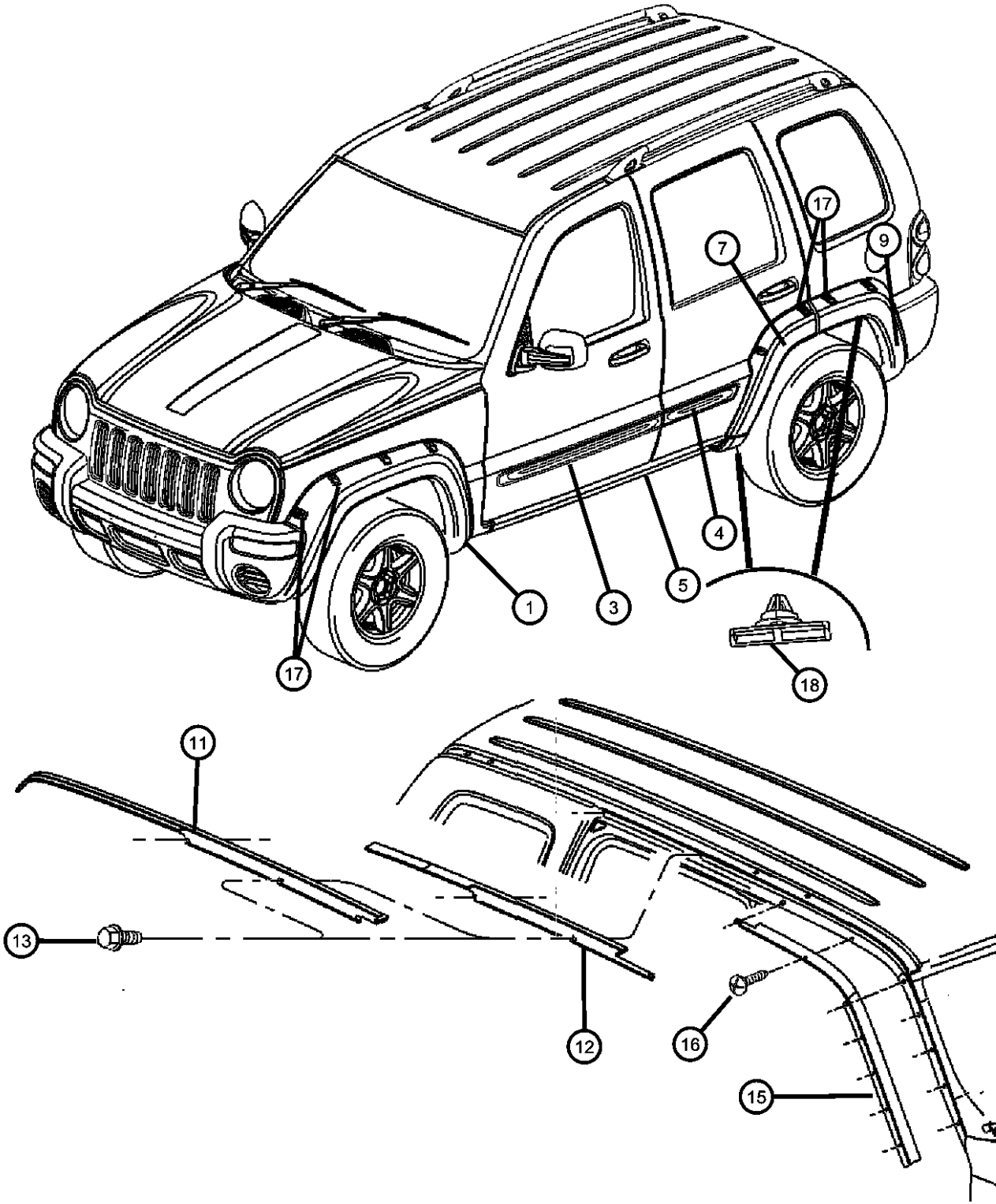
TRANSMISSION  
DGQ = Transmission-5-Spd Automatic  
5-45RFE  
DG6 = Transmission-4-Spd.  
Automatic, 42RLE  
DEH = Transmission-6-Speed Manual,  
NSG370  
DG0 = Transmissions - All Automatic  
DBB = ALL MANUAL  
TRANSMISSIONS

AR = use ase required - = Non illustrated part

2005 KJ

Moldings, Body Side  
Figure EKJ-210

ITEM	PART NUMBER	QTY	LINE	SERIES	BODY	ENGINE	TRANS	TRIM	DESCRIPTION
------	-------------	-----	------	--------	------	--------	-------	------	-------------



Sales Code :  
 [MRK] = Side Step  
 [MWE] = Side Roof Rails  
 [MW1] = Bright Side Roof Rails  
 [MWZ] = Rugged Side Roof Rails  
 [APA] = Australia Equipment Group

1									APPLIQUE, Fender Wheel Opening
	5JH42TZZAD	1							[K50], Right
	5JH43TZZAD	1							[K50], Left
	5JH46BDLAE	1							[K3L], Right
	5JH47BDLAE	1							[K3L], Left
	5JR68CD7AG	1							[K8P], Right
	5JR68CJMAG	1							[K8E], Right
	5JR69CD7AG	1							[K8P], Left
	5JR69CJMAG	1							[K8E], Left
-2	06506007AA	4							RIVET
3									MOLDING, Front Door
	55156944AA	1	J, U		P				[MJB] Chrome, EXPORT, Right
	55156945AA	1	J, U		P				[MJB] Chrome, EXPORT, Left
	55156946AA	1	J, T		P				[MJB] Chrome, Right
	55156947AA	1	J, T		P				[MJB] Chrome, Left
	5JR86BDLAA	1							[K1L], Right
	5JR86CD7AA	1							[K1P], Right
	5JR86CJMAA	1							[K1E], Right
	5JR87BDLAA	1							[K1L], Left
	5JR87CD7AA	1							[K1P], Left
	5JR87CJMAA	1							[K1E], Left
	5JT06BDLAA	1							[K1L] EXPORT, Right
	5JT06CD7AA	1							[K1P] EXPORT, Right
	5JT06CJMAA	1							[K1E] EXPORT, Right
	5JT07BDLAA	1							[K1L] EXPORT, Left
	5JT07CD7AA	1							[K1P] EXPORT, Left
	5JT07CJMAA	1							[K1E] EXPORT, Left

LIBERTY (KJ)

SERIES      LINE  
 P = LIMITED      J = JEEP - 4WD  
 H = SPORT      U = JEEP - 4WD (RHD)  
 M = RENEGADE      T = JEEP - 2WD

BODY  
 74 = SPORT UTILITY 4-DR

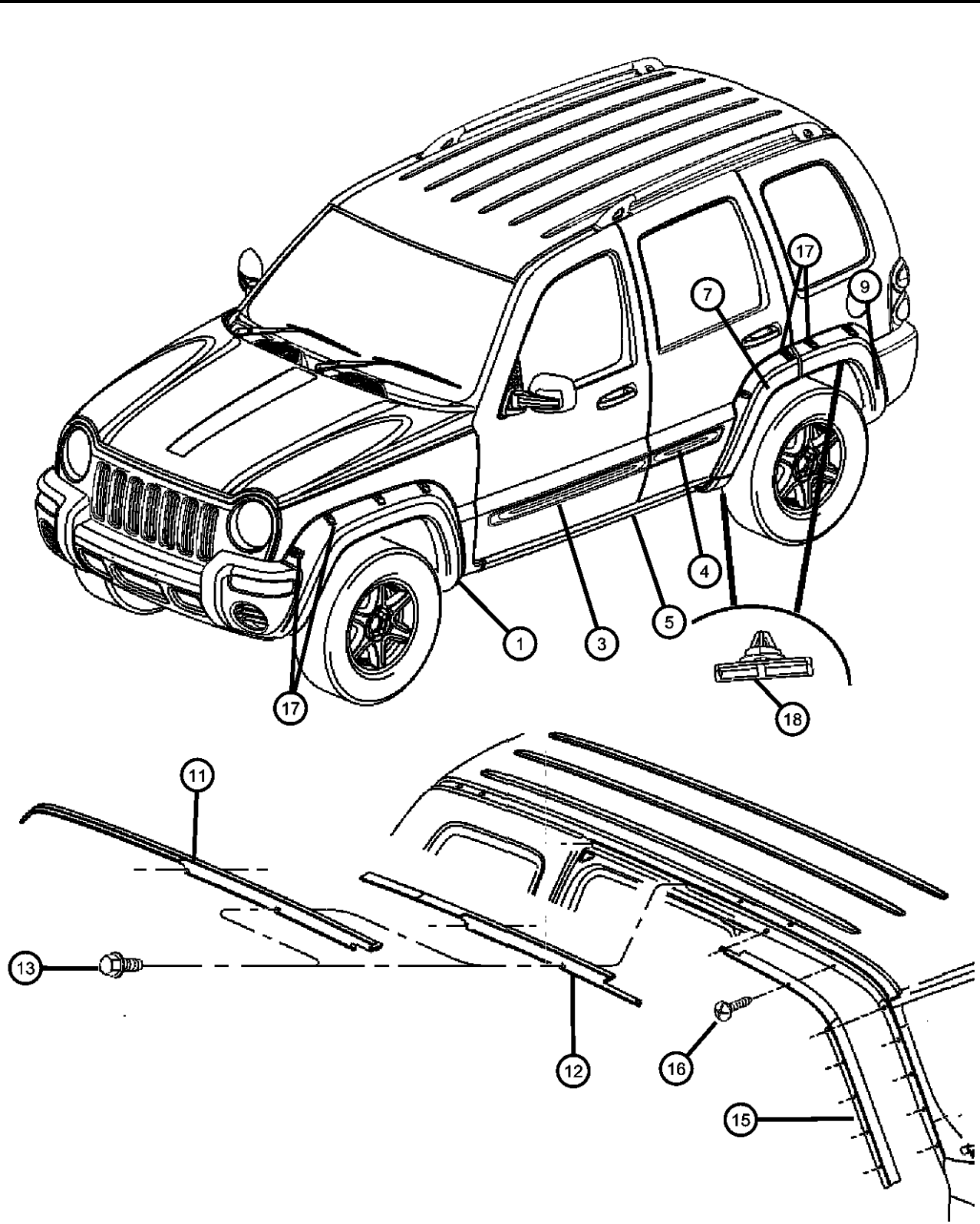
ENGINE  
 ED1 = Engine - 2.4L 4 Cyl  
 DOHC 16v SMPI  
 EKG = Engine - 3.7L V6  
 ENR = Engine - 2.8L 4 Cyl  
 Turbo Diesel  
 ENO = 4CYL turbo diesel

TRANSMISSION  
 DGQ = Transmission-5-Spd Automatic  
 5-45RFE  
 DG6 = Transmission-4-Spd.  
 Automatic, 42RLE  
 DEH = Transmission-6-Speed Manual,  
 NSG370  
 DG0 = Transmissions - All Automatic  
 DBB = ALL MANUAL  
 TRANSMISSIONS

AR = use ase required - = Non illustrated part

2005 KJ

Moldings, Body Side  
Figure EKJ-210



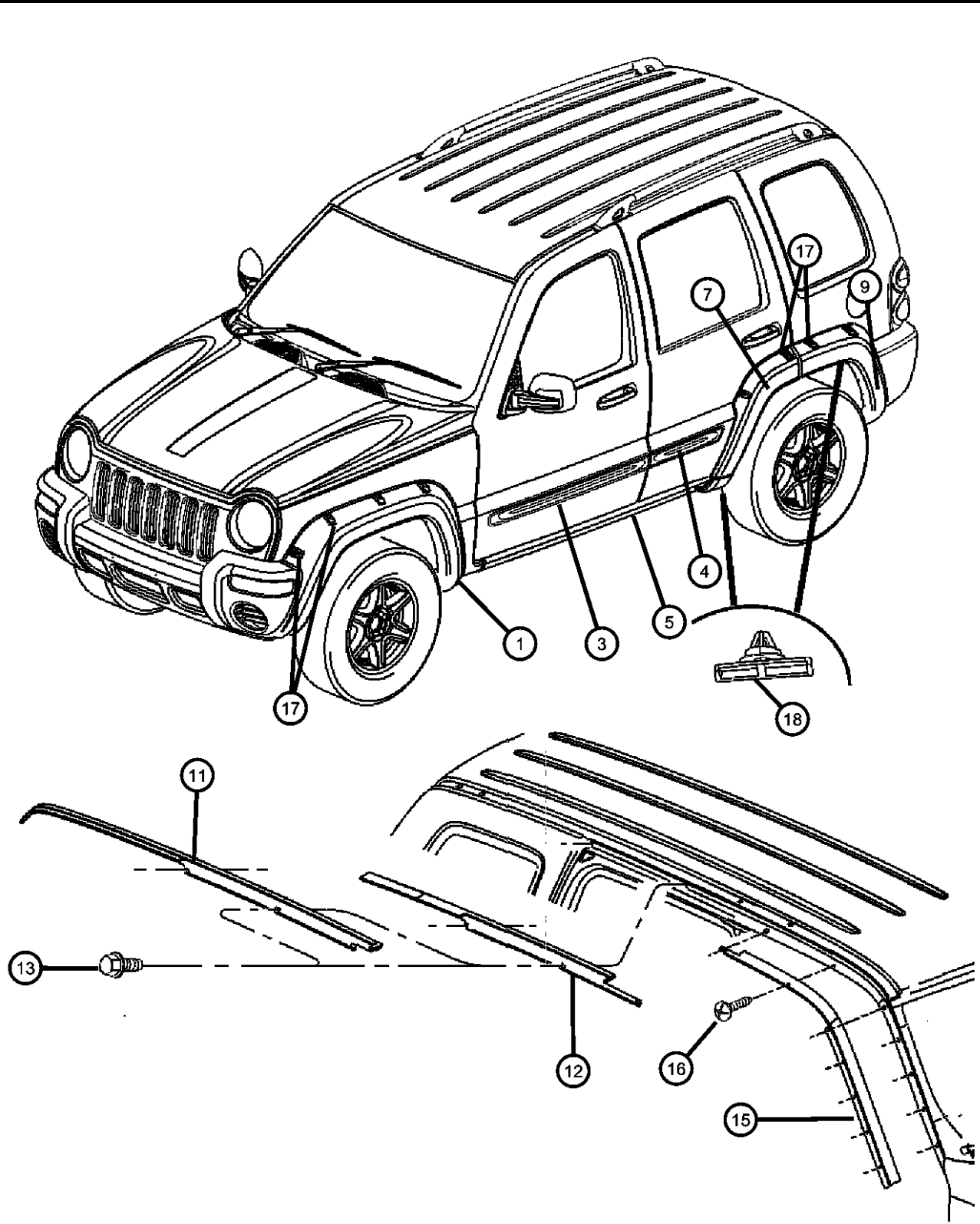
ITEM	PART NUMBER	QTY	LINE	SERIES	BODY	ENGINE	TRANS	TRIM	DESCRIPTION
4									MOLDING, Rear Door
	55156948AA	1		P					[MJB] Chrome, Right
	55156949AA	1		P					[MJB] Chrome, Left
	5JR88BDLAA	1		H, M					[K1L], Right
	5JR88CD7AA	1		H, M					[K1P], Right
	5JR88CJMAA	1		H, M					[K1E], Right
	5JR89BDLAA	1		H, M					[K1L], Left
	5JR89CD7AA	1		H, M					[K1P], Left
	5JR89CJMAA	1		H, M					[K1E], Left
5									MOLDING, Side Sill
	5JH90XXXAE	1							Front, Right
	5JH91XXXAE	1							Front, Left
	5JH94XXXAD	1							Rear, Right
	5JH95XXXAD	1							Rear, Left
-6									PUSH PIN
	55157070AC	3							To Bodyside Lower
	55157069AB	2							To Bodyside Upper
7									APPLIQUE, Rear Door
	5JH56TZZAE	1							[K50], Right
	5JH57TZZAE	1							[K50], Left
	5JH84BDLAE	1							[K3L], Right
	5JH85BDLAE	1							[K3L], Left
	5JR72CJMAE	1							[K8E], Right
	5JR73CD7AE	1							[K8P], Left
	5JR73CJMAE	1							[K8E], Left
	5JR72CD7AE	1							[K8P], Right
-8	06506007AA	4							RIVET
9									APPLIQUE, Rear Wheel Opening
	5JH68TZZAC	1							[K50], Right
	5JH69TZZAC	1							[K50], Left
	5JH72BDLAC	1							[K3L], Right

**LIBERTY (KJ)**

SERIES	LINE	BODY	ENGINE	TRANSMISSION
P = LIMITED	J = JEEP - 4WD	74 = SPORT UTILITY 4-DR	ED1 = Engine - 2.4L 4 Cyl DOHC 16v SMPI	DGQ = Transmission-5-Spd Automatic 5-45RFE
H = SPORT	U = JEEP - 4WD (RHD)		EKG = Engine - 3.7L V6	DG6 = Transmission-4-Spd. Automatic, 42RLE
M = RENEGADE	T = JEEP - 2WD		ENR = Engine - 2.8L 4 Cyl Turbo Diesel	DEH = Transmission-6-Speed Manual, NSG370
			ENO = 4CYL turbo diesel	DG0 = Transmissions - All Automatic
				DBB = ALL MANUAL TRANSMISSIONS

AR = use ase required - = Non illustrated part

Moldings, Body Side  
Figure EKJ-210



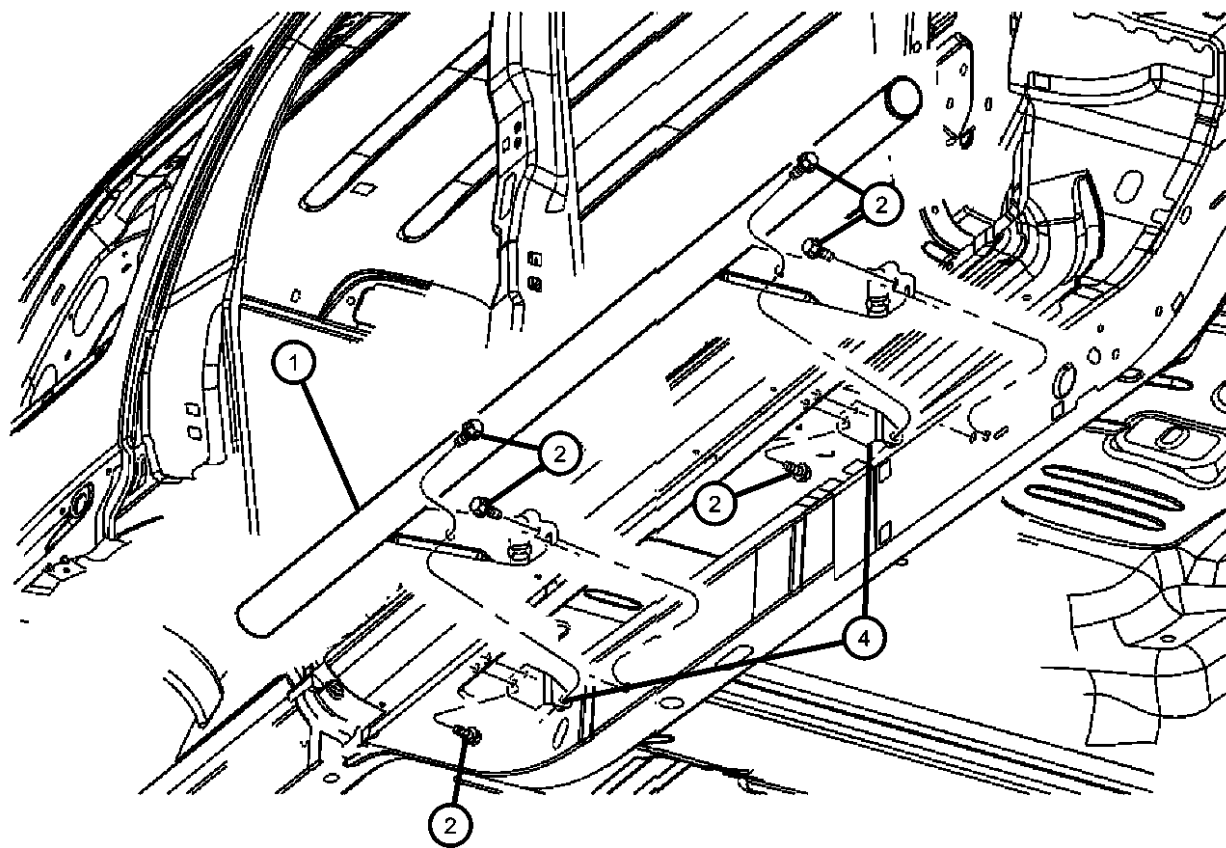
ITEM	PART NUMBER	QTY	LINE	SERIES	BODY	ENGINE	TRANS	TRIM	DESCRIPTION
	5JH73BDLAC	1							[K3L], Left
	5JR70CD7AE	1							[K8P], Right
	5JR70CJMAE	1							[K8E], Right
	5JR71CD7AE	1							[K8P], Left
	5JR71CJMAE	1							[K8E], Left
-10	55360254AA	1							SEAL, Moulding, Applique
11									MOLDING, Roof, Rear
	55360176AE	1							Without Roof Rack, [MWE] or [MWZ] or [MW1], Right
	55360177AE	1							Without Roof Rack, [MWE] or [MWZ] or [MW1], Left
12									MOLDING, Roof, Rear
	55360174AC	1							With Roof Rack, [MWE] or [MWZ] or [MW1], Molding Rear Section Serviced With P/N 55360418AH Roof Rack Side Rails, Right
	55360175AC	1							With Roof Rack, [MWE] or [MWZ] or [MW1], Molding Rear Section Serviced With P/N 55360419AH Roof Rack Side Rails, Left
13	00153732	4							SCREW, .164-15x.500
-14	55360509AA	8							SPACER, Windshield
15									MOLDING, A-PILLAR
	55360688AB	1							Right
	55360689AB	1							Left
16	00153732	14							SCREW, .164-15x.500
17	05140834AB	1							ORNAMENT, Wheel Flare, Package of 5
18	55157055AA	10							CLIP, Applique, Arrow Head

<b>LIBERTY (KJ)</b>				
SERIES	LINE	BODY	ENGINE	TRANSMISSION
P = LIMITED	J = JEEP - 4WD	74 = SPORT UTILITY 4-DR	ED1 = Engine - 2.4L 4 Cyl DOHC 16v SMPI	DGQ = Transmission-5-Spd Automatic 5-45RFE
H = SPORT	U = JEEP - 4WD (RHD)		EKG = Engine - 3.7L V6	DG6 = Transmission-4-Spd. Automatic, 42RLE
M = RENEGADE	T = JEEP - 2WD		ENR = Engine - 2.8L 4 Cyl Turbo Diesel	DEH = Transmission-6-Speed Manual, NSG370
			ENO = 4CYL turbo diesel	DG0 = Transmissions - All Automatic
				DBB = ALL MANUAL TRANSMISSIONS

AR = use ase required - = Non illustrated part

Side Rails, Tubular [MRK]  
Figure EKJ-220

ITEM	PART NUMBER	QTY	LINE	SERIES	BODY	ENGINE	TRANS	TRIM	DESCRIPTION
1	5KF74BS2AB	1							RAIL, Rocker Panel Right
	5KF75BS2AB	1							Left
2	06100592	8							SCREW, M8x1.25x30
-3	06507091AA	8							RIVNUT, Installation, M8x1.25x17.78
4									BRACKET, Side Rail
	55360704AA	2							Right
	55360705AA	2							Left



LIBERTY (KJ)

SERIES      LINE  
P = LIMITED      J = JEEP - 4WD  
H = SPORT      U = JEEP - 4WD (RHD)  
M = RENEGADE      T = JEEP - 2WD

BODY  
74 = SPORT UTILITY 4-DR

ENGINE  
ED1 = Engine - 2.4L 4 Cyl  
DOHC 16v SMPI  
EKG = Engine - 3.7L V6  
ENR = Engine - 2.8L 4 Cyl  
Turbo Diesel  
ENO = 4CYL turbo diesel

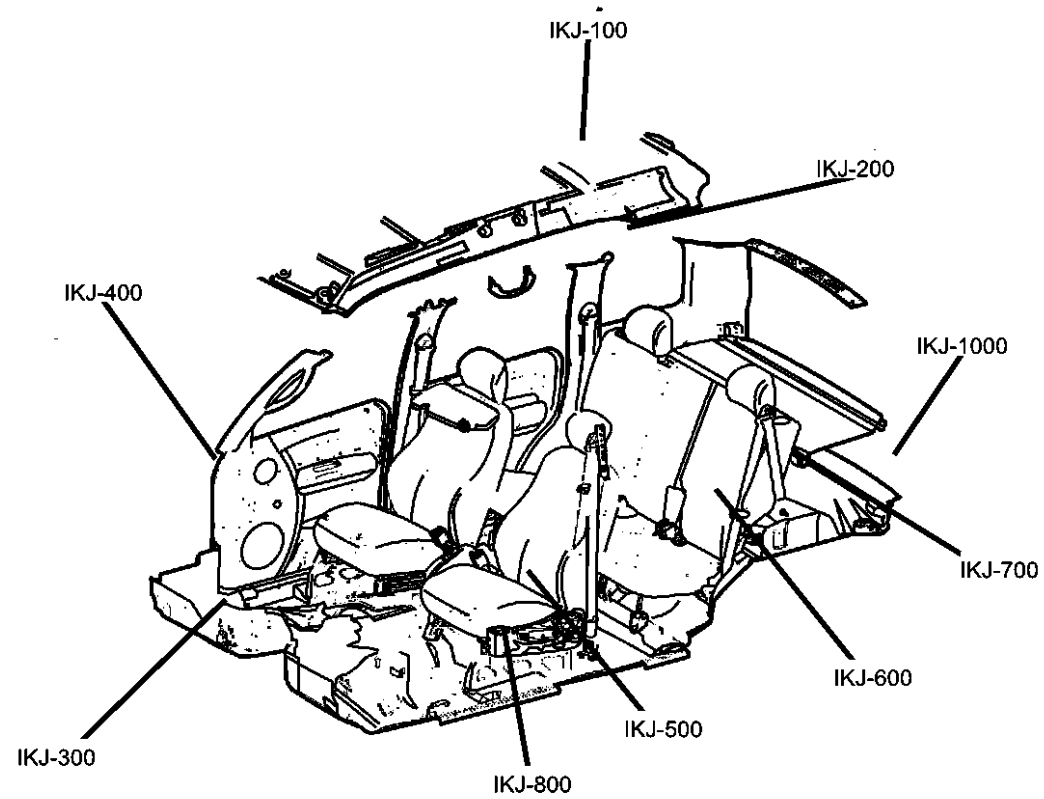
TRANSMISSION  
DGQ = Transmission-5-Spd Automatic  
5-45RFE  
DG6 = Transmission-4-Spd.  
Automatic, 42RLE  
DEH = Transmission-6-Speed Manual,  
NSG370  
DG0 = Transmissions - All Automatic  
DBB = ALL MANUAL  
TRANSMISSIONS

AR = use ase required - = Non illustrated part

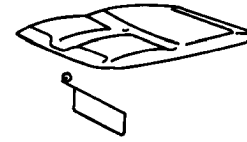
2005 KJ

# Group - IKJ

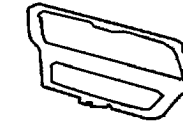
## Interior Trim



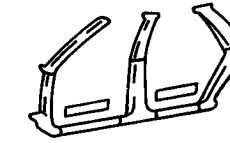
**IKJ-100**  
Headliner and Visor



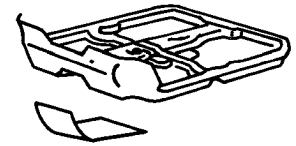
**IKJ-1000**  
Lift Gate Trim



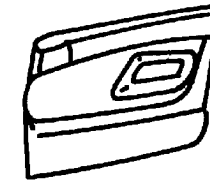
**IKJ-200**  
Moldings, Scuff Plates



**IKJ-300**  
Carpet



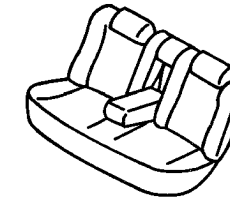
**IKJ-400**  
Door Trim Panels



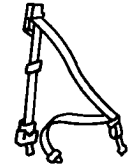
**IKJ-500**  
Front Seats and Attaching Parts



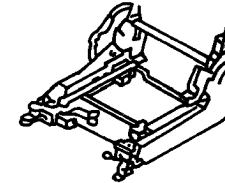
**IKJ-600**  
Rear Seats and Attaching Parts



**IKJ-700**  
Seat Belts-Front and Rear



**IKJ-800**  
Adjusters, Covers, Shields, and Risers



---

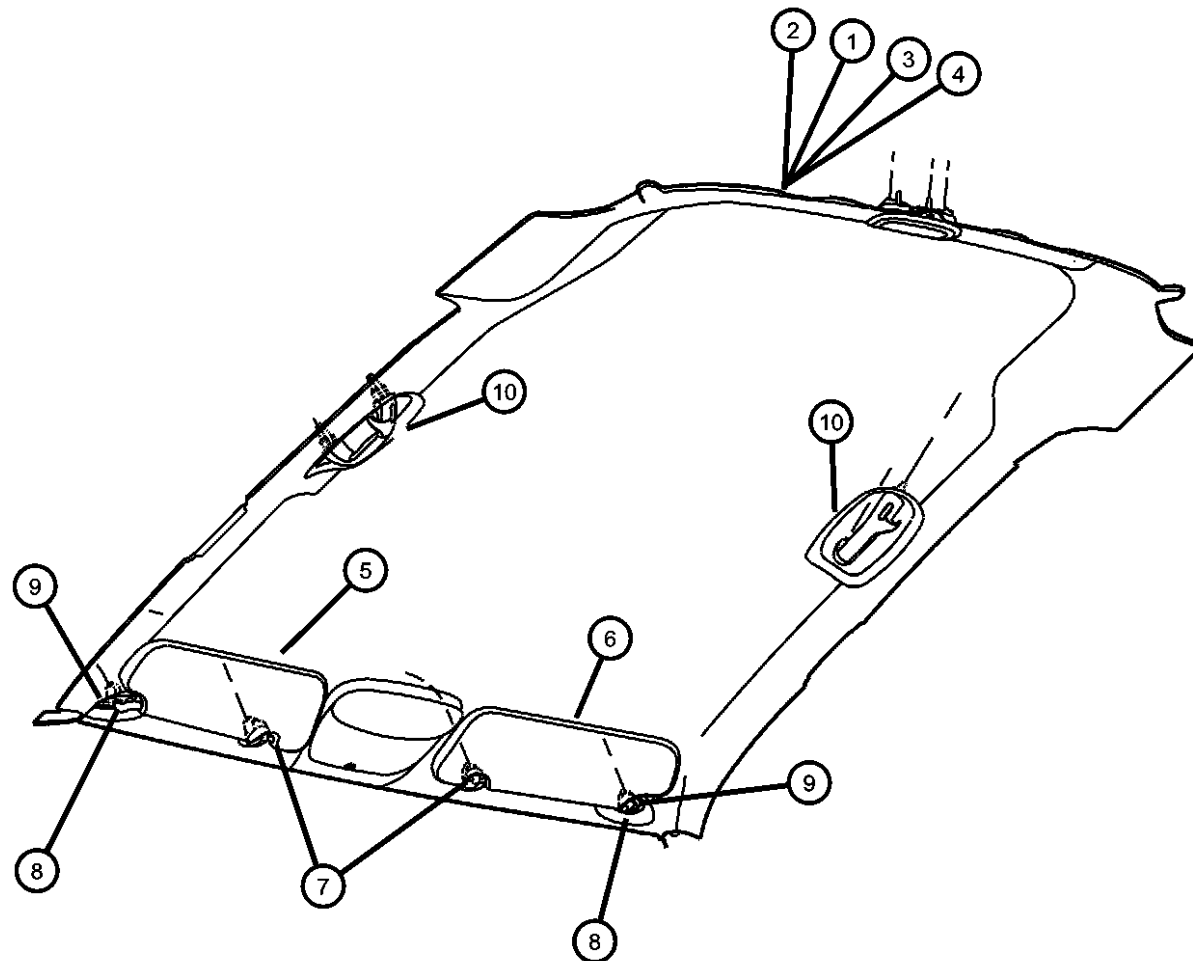
## Group - IKJ Interior Trim

Illustration Title	Group-Fig. No.
<b>Headliner and Visor</b>	
Headliner and Visors .....	Fig. IKJ - 110
<b>Moldings, Scuff Plates</b>	
Panels, Interior Trim, Front .....	Fig. IKJ - 210
Panels, Interior Trim, Rear .....	Fig. IKJ - 220
<b>Carpet</b>	
Carpets and Mats .....	Fig. IKJ - 310
Cargo Organizer.....	Fig. IKJ - 320
<b>Door Trim Panels</b>	
Trim Panel, Front Door .....	Fig. IKJ - 410
Trim Panel, Rear Door .....	Fig. IKJ - 420
<b>Front Seats and Attaching Parts</b>	
Front Seat, Leather, Low Back, Trim Code [DL] .....	Fig. IKJ - 510
Front Seat, Cloth, High Back, Trim Code [N5] .....	Fig. IKJ - 520
Front Seat, Cloth, High Back, Trim Code [B5] .....	Fig. IKJ - 530
Front Seat, Cloth, Low Back, Trim Code [B7] .....	Fig. IKJ - 540
Front Seat, Cloth, Low Back, Trim Code [J7] .....	Fig. IKJ - 560
Front Seat, Cloth, Low Back, Trim Code [L7] .....	Fig. IKJ - 570
Front Seat, Cloth, High Back, Trim Code [A5] .....	Fig. IKJ - 580
Front Seat, Cloth, High Back, Trim Code [M7].....	Fig. IKJ - 590
<b>Rear Seats and Attaching Parts</b>	
Rear Seat, Trim Code [DL] .....	Fig. IKJ - 610
Rear Seat, Trim Code [N5] .....	Fig. IKJ - 620
Rear Seat, Trim Code [B5] .....	Fig. IKJ - 630
Rear Seat, Trim Code [B7] .....	Fig. IKJ - 640
Rear Seat, Trim Code [J7].....	Fig. IKJ - 650
Rear Seat, Trim Code [L7].....	Fig. IKJ - 660
Rear Seat, Trim Code [A5] .....	Fig. IKJ - 670
Rear Seat, Trim Code [M7].....	Fig. IKJ - 680
<b>Seat Belts-Front and Rear</b>	
Seat Belts, Front .....	Fig. IKJ - 710
Seat Belts, Rear.....	Fig. IKJ - 720
<b>Adjusters, Covers, Shields, and Risers</b>	
Recliner and Adjuster .....	Fig. IKJ - 810
<b>Lift Gate Trim</b>	
Swing Gate Trim Panel .....	Fig. IKJ - 1010

## Headliner and Visors Figure IKJ-110

ITEM	PART NUMBER	QTY	LINE	SERIES	BODY	ENGINE	TRANS	TRIM	DESCRIPTION
------	-------------	-----	------	--------	------	--------	-------	------	-------------

Sales Codes:  
 [AHM] = Convenience Group 1  
 [CGS] = Side Air Bags  
 [CUD] = Console, Mini Overhead  
 [GNA] = Prismatic  
 [GNK] = Electrochromic  
 [GWA] = Power Sunroof  
 [LSC] = Security Alarm  
 [RSP] = Hands Free Communication



1									HEADLINER, Without Sunroof [GWA]
	1AZ71BD1AA	1			J, T			*00	Without [AHM] Convenience Group 1, [CGS] Side Air Bags, [CUD] Overhead Console
	1AZ72BD1AA	1			J, T			*00	With [AHM] Convenience Group 1, Without [CGS] Side Air Bags, [CUD] Overhead Console
	1AZ73BD1AA	1			J, T			*00	With [AHM] Convenience Group 1, [CUD] Overhead Console
	1AZ74BD1AA	1			J, T			*00	With [AHM] Convenience Group 1, [CUD] Overhead Console, [GNK] Auto Dim Mirror, [RSP] U-Connect Hand Free Communication, Without [CGS] Side Air Bags
	1AZ78BD1AA	1			J, T			*00	Without [AHM] Convenience Group 1, [CUD] Overhead Console, With [CGS] Side Air Bags
	1AZ79BD1AA	1			J, T			*00	With [AHM] Convenience Group 1, [CGS] Side Air Bags, Without [CUD] Overhead Console
	1AZ80BD1AA	1			J, T			*00	With [AHM] Convenience Group 1, [CGS] Side Air Bags, [CUD] Overhead Console
	1AZ81BD1AA	1			J, T			*00	With [AHM] Convenience Group 1, [CGS] Side Air Bags, [CUD] Overhead Console, [GNK] Auto Dim Mirror
	1AZ85BD1AA	1			J, T			*00	With [AHM] Convenience Group 1, [CUD] Overhead Console, [GNK] Auto Dim Mirror, Without [CGS] Side Air Bags

### LIBERTY (KJ)

SERIES      LINE  
 P = LIMITED      J = JEEP - 4WD  
 H = SPORT      U = JEEP - 4WD (RHD)  
 M = RENEGADE      T = JEEP - 2WD

BODY  
 74 = SPORT UTILITY 4-DR

ENGINE  
 ED1 = Engine - 2.4L 4 Cyl DOHC 16v SMPI  
 EKG = Engine - 3.7L V6  
 ENR = Engine - 2.8L 4 Cyl Turbo Diesel  
 ENO = 4CYL turbo diesel

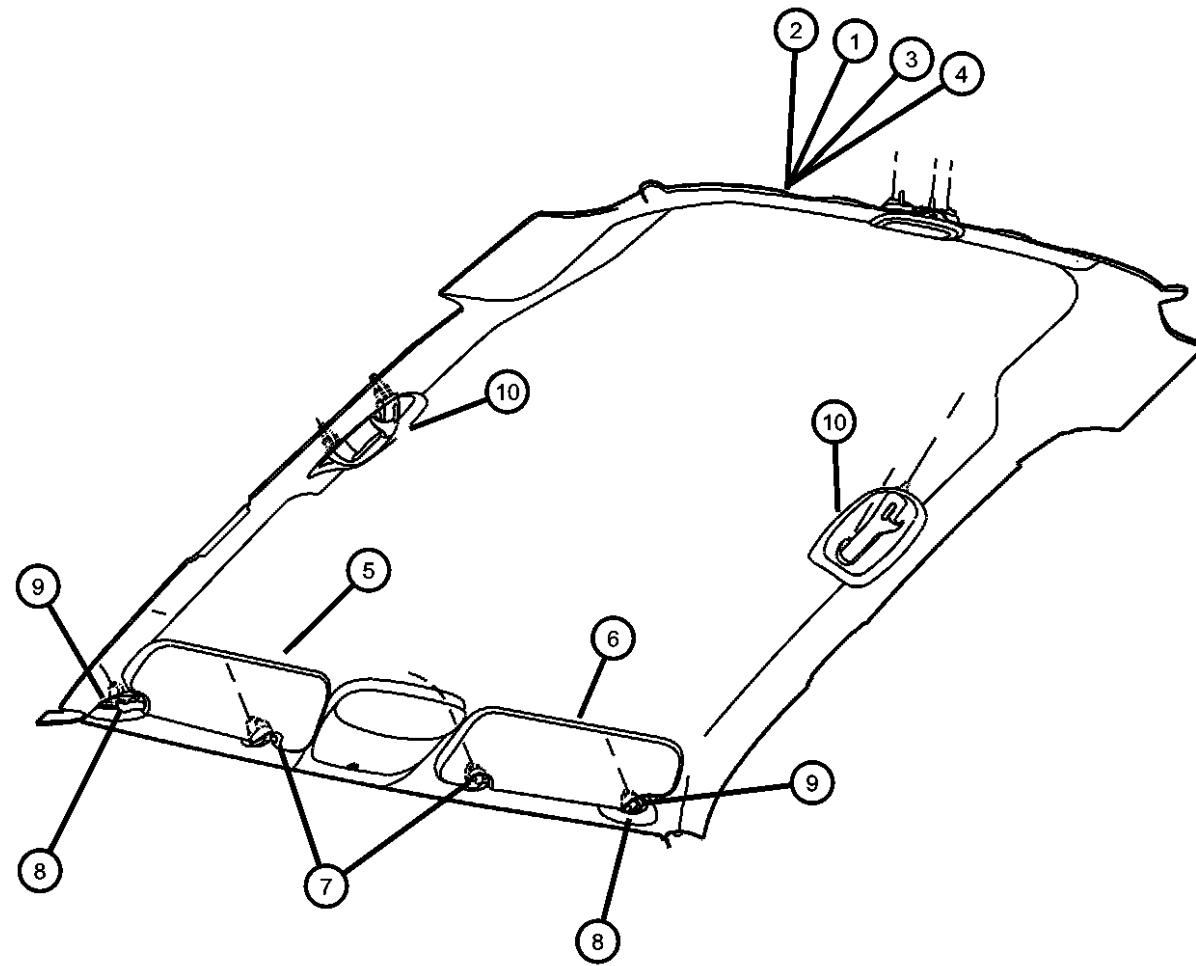
TRANSMISSION  
 DGQ = Transmission-5-Spd Automatic 5-45RFE  
 DG6 = Transmission-4-Spd. Automatic, 42RLE  
 DEH = Transmission-6-Speed Manual, NSG370  
 DG0 = Transmissions - All Automatic  
 DBB = ALL MANUAL TRANSMISSIONS

AR = use ase required    - = Non illustrated part

2005 KJ



**Headliner and Visors  
Figure IKJ-110**



ITEM	PART NUMBER	QTY	LINE	SERIES	BODY	ENGINE	TRANS	TRIM	DESCRIPTION
	1AZ87BD1AA	1	J, T					*O0	With [AHM] Convenience Group 1, [CUD] Overhead Console, [GNK] Auto Dim Mirror, [CGS] Side Air Bags
2	1AZ75BD1AA	1	J, T					*O0	Without [CUD] Overhead Console, and [CGS] Side Air Bags
	1AZ76BD1AA	1	J, T					*O0	With [CUD] Overhead Console Only
	1AZ77BD1AA	1	J, T					*O0	With [CUD] Overhead Console, [GNK] Auto Dim Mirror, [RSP] Hands Free Communication
	1AZ82BD1AA	1	J, T					*O0	Without [CUD] Overhead Console, With [CGS] Side Air Bags
	1AZ83BD1AA	1	J, T					*O0	With [CUD] Overhead Console, [CGS] Side Air Bags Without [GNK] Auto Dim Mirror
	1AZ84BD1AA	1	J, T					*O0	With [CUD] Overhead Console, [CGS] Side Air Bags and [GNK] Auto Dim Mirror, [RSP] Hands Free Communication
	1AZ86BD1AA	1	J, T					*O0	With [CUD] Overhead Console, [GNK] Auto Dim Mirror, Without [CGS] Side Air Bags
	1AZ88BD1AA	1	J, T					*O0	With [CUD] Overhead Console, [GNK] Auto Dim Mirror, [CGS] Side Air Bags
3	1AZ90BD1AA	1	J, U					*O0	HEADLINER, Export, With Sunroof [GWA]
	1AZ93BD1AA	1	J, U					*O0	With [CGS] Side Air Bags, Without [CUD] Overhead Console
	1AZ98BD1AA	1	J, U					*O0	With [CGS] Side Air Bags, [CUD] Overhead Console, [LSC] Security Alarm, [GNK] Auto Dim Mirror

**LIBERTY (KJ)**

SERIES      LINE  
P = LIMITED      J = JEEP - 4WD  
H = SPORT      U = JEEP - 4WD (RHD)  
M = RENEGADE      T = JEEP - 2WD

BODY  
74 = SPORT UTILITY 4-DR

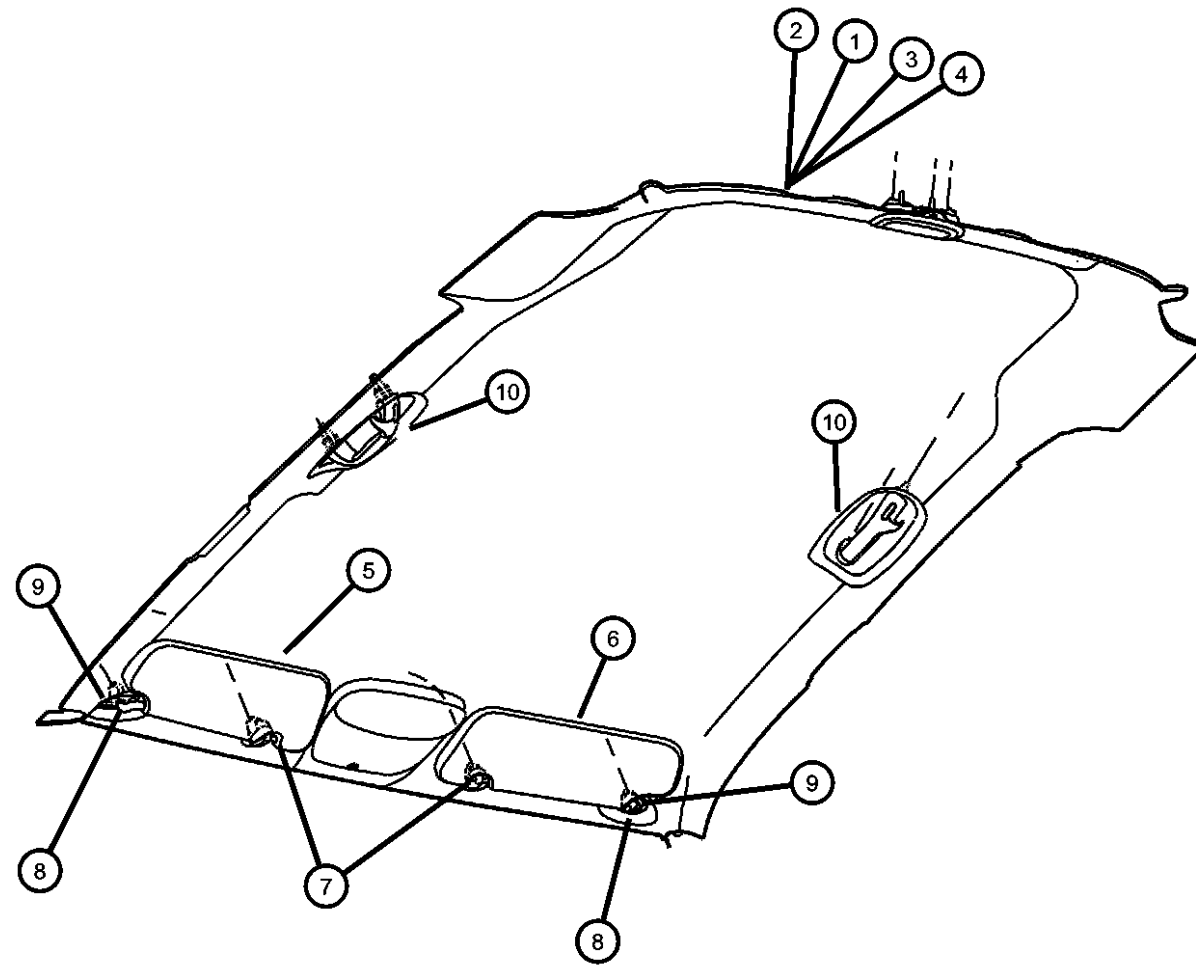
ENGINE  
ED1 = Engine - 2.4L 4 Cyl DOHC 16v SMPI  
EKG = Engine - 3.7L V6  
ENR = Engine - 2.8L 4 Cyl Turbo Diesel  
ENO = 4CYL turbo diesel

TRANSMISSION  
DGQ = Transmission-5-Spd Automatic 5-45RFE  
DG6 = Transmission-4-Spd. Automatic, 42RLE  
DEH = Transmission-6-Speed Manual, NSG370  
DG0 = Transmissions - All Automatic  
DBB = ALL MANUAL TRANSMISSIONS

AR = use ase required    - = Non illustrated part

2005 KJ

**Headliner and Visors  
Figure IKJ-110**



ITEM	PART NUMBER	QTY	LINE	SERIES	BODY	ENGINE	TRANS	TRIM	DESCRIPTION
	1AZ99BD1AA	1						*O0	With [CGS] Side Air Bags, [CUD] Overhead Console, [LSC] Security Alarm Without [GNK ] Auto Dim Mirror
	1BA02BD1AA	1	J, U					*O0	With [CUD] Overhead Console, [GNK ] Auto Dim Mirror, [LSC] Security Alarm
	1BA03BD1AA	1						*O0	With [CUD] Overhead Console, [LSC] Security Alarm, Without [GNK ] Auto Dim Mirror
	1BA05BD1AA	1	J, U					*O0	Without [CGS] Side Air Bags, [CUD] Overhead Console
	1BA07BD1AA	1	J, U					*O0	With [CUD] Overhead Console, [GNK ] Auto Dim Mirror, Without [LSC] Security Alarm
4	1AZ89BD1AA	1	J, U					*O0	HEADLINER, Export, Without Sunroof [GWA] With [CGS] Side Air Bags, Without [CUD] Overhead Console
	1AZ92BD1AA	1	J, U					*O0	With [CGS] Side Air Bags, [CUD] Overhead Console, [GNK ] Auto Dim Mirror, Without [LSC] Security Alarm
	1AZ94BD1AA	1	J, U					*O0	With [CUD] Overhead Console, [GNK ] Auto Dim Mirror, [LSC] Security Alarm, [CGS] Side Air Bags
	1AZ96BD1AA	1						*O0	With [CUD] Overhead Console, [LSC] Security Alarm, [CGS] Side Air Bags, Without [GNK ] Auto Dim Mirror
	1BA00BD1AA	1	J, U					*O0	With [CUD] Overhead Console, [GNK ] Auto Dim Mirror, [LSC] Security Alarm, Without [CGS] Side Air Bags
	1BA01BD1AA	1						*O0	With [CUD] Overhead Console, [LSC] Security Alarm, Without [GNK ] Auto Dim Mirror
	1BA04BD1AA	1	J, U					*O0	Without [CGS] Side Air Bags, [CUD] Overhead Console
	1BA06BD1AA	1	J, U					*O0	With [CUD] Overhead Console, [GNK ] Auto Dim Mirror, Without [LSC] Security Alarm, [CGS] Side Air Bags

**LIBERTY (KJ)**

SERIES            LINE  
P = LIMITED      J = JEEP - 4WD  
H = SPORT        U = JEEP - 4WD (RHD)  
M = RENEGADE   T = JEEP - 2WD

BODY  
74 = SPORT UTILITY 4-DR

ENGINE  
ED1 = Engine - 2.4L 4 Cyl DOHC 16v SMPI  
EKG = Engine - 3.7L V6  
ENR = Engine - 2.8L 4 Cyl Turbo Diesel  
ENO = 4CYL turbo diesel

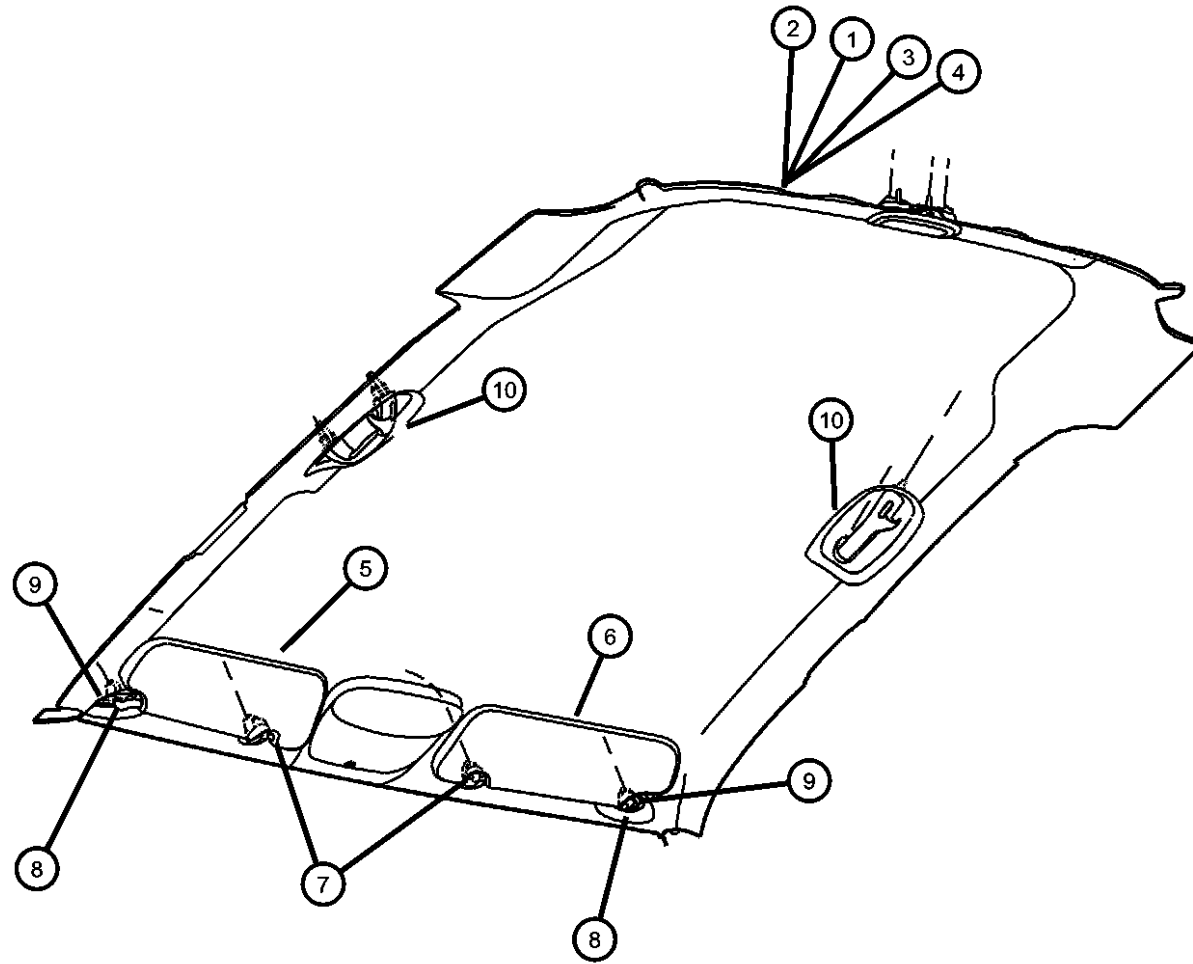
TRANSMISSION  
DGQ = Transmission-5-Spd Automatic 5-45RFE  
DG6 = Transmission-4-Spd. Automatic, 42RLE  
DEH = Transmission-6-Speed Manual, NSG370  
DG0 = Transmissions - All Automatic  
DBB = ALL MANUAL TRANSMISSIONS

AR = use ase required - = Non illustrated part

2005 KJ

**Headliner and Visors  
Figure IKJ-110**

ITEM	PART NUMBER	QTY	LINE	SERIES	BODY	ENGINE	TRANS	TRIM	DESCRIPTION
5									VISOR, Right
	5KF88BD1AA	1	J, T					*O0	Non- Illuminated
	5KF90BD1AA	1	J, T					*O0	Illuminated
	5KK28BD1AA	1						*O0	Export
6									VISOR, Left
	5KF89BD1AA	1	J, T					*O0	Non-Illuminated
	5KF91BD1AA	1	J, T					*O0	Illuminated
	5KK29BD1AB	1						*O0	Export
7	1AR26BD1AA	2	J, T					*O0	SUPPORT, Visor
8	05140534AA	2	J, T					*O0	SPACER, Visor
9	06034912	4						*O0	SCREW, Pan Head, .19-16x.75
10									HANDLE, Roof Grab
	0UY68BD1AA	1	J, T					*O0	Right
	0UY69BD1AA	1	J, T					*O0	Left
-11	05108000AA	2							LABEL, Air Bag Warning, CANADA ONLY
-12	55352825AA	1							LABEL, Warning, CANADA ONLY, High Risk Roll Over, French and English



**LIBERTY (KJ)**

SERIES      LINE  
P = LIMITED      J = JEEP - 4WD  
H = SPORT      U = JEEP - 4WD (RHD)  
M = RENEGADE      T = JEEP - 2WD

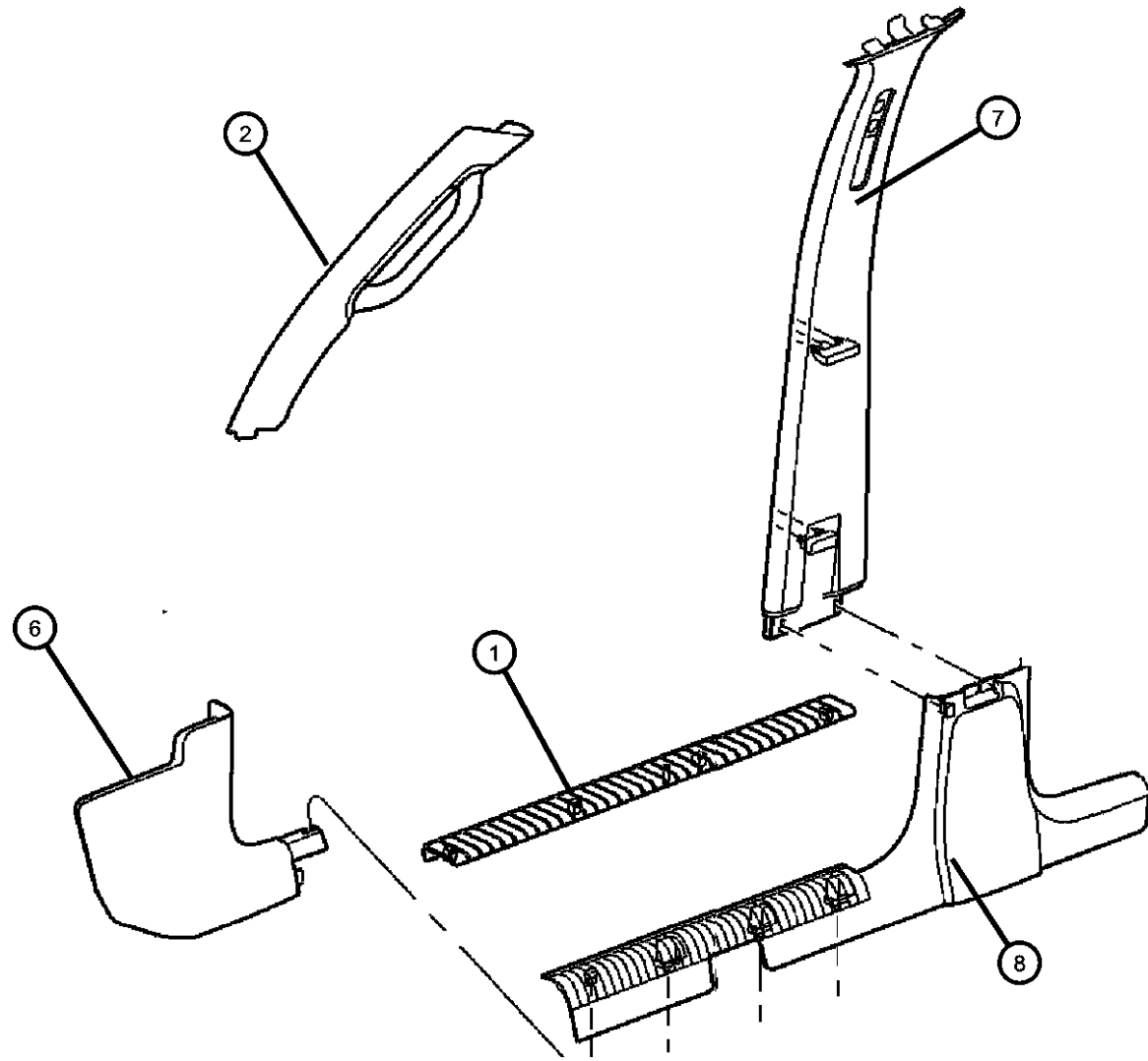
BODY  
74 = SPORT UTILITY 4-DR

ENGINE  
ED1 = Engine - 2.4L 4 Cyl DOHC 16v SMPI  
EKG = Engine - 3.7L V6  
ENR = Engine - 2.8L 4 Cyl Turbo Diesel  
ENO = 4CYL turbo diesel

TRANSMISSION  
DGQ = Transmission-5-Spd Automatic 5-45RFE  
DG6 = Transmission-4-Spd. Automatic, 42RLE  
DEH = Transmission-6-Speed Manual, NSG370  
DG0 = Transmissions - All Automatic  
DBB = ALL MANUAL TRANSMISSIONS

AR = use ase required    - = Non illustrated part

**Panels, Interior Trim, Front  
Figure IKJ-210**



ITEM	PART NUMBER	QTY	LINE	SERIES	BODY	ENGINE	TRANS	TRIM	DESCRIPTION
1	55352778AC	1							PLATE, Scuff Right Front
	55352779AE	1							Left Front
2	5GM92BD1AI	1						*00	PANEL, A Pillar Trim Right
	5GM93BD1AI	1						*00	Left
-3	05140693AA	2						*00	CLIP, A Pillar Trim Panel Attaching clip
-4	05175099AA	1						*00	CLIP, Trim Panel, A Pillar Trim Panel Attaching Clip
-5	06505852AA	1	J, T, U		74			*00	CLIP, Trim Panel, A Pillar Trim Panel Attaching Clip
6	5GE62BD5AJ	1						*00	PANEL, Cowl Side Trim [DB, D5], Right
	5GE62ZJ3AJ	1						*00	[J1, J3], Right
	5GE67BD5AJ	1						*00	[DB, D5], Left
	5GE67ZJ3AK	1						*00	[J1, J3], Left
7	5GE60BD5AL	1						*00	COVER, B Pillar Trim Panel [DB, D5], Right
	5GE60ZJ3AL	1						*00	[J1, J3], Right
	5GE61BD5AL	1						*00	[DB, D5], Left
	5GE61ZJ3AL	1						*00	[J1, J3], Left
8	5GG22BD5AL	1						*00	PANEL, Side Sill [DB, D5], Right
	5GG22ZJ3AL	1						*00	[J1, J3], Right
	5GG23ZJ3AM	1						*00	[J1, J3], Left
	5GG23BD5AM	1						*00	[DB, D5], Left

**LIBERTY (KJ)**

SERIES      LINE  
P = LIMITED      J = JEEP - 4WD  
H = SPORT      U = JEEP - 4WD (RHD)  
M = RENEGADE      T = JEEP - 2WD

BODY  
74 = SPORT UTILITY 4-DR

ENGINE  
ED1 = Engine - 2.4L 4 Cyl DOHC 16v SMPI  
EKG = Engine - 3.7L V6  
ENR = Engine - 2.8L 4 Cyl Turbo Diesel  
ENO = 4CYL turbo diesel

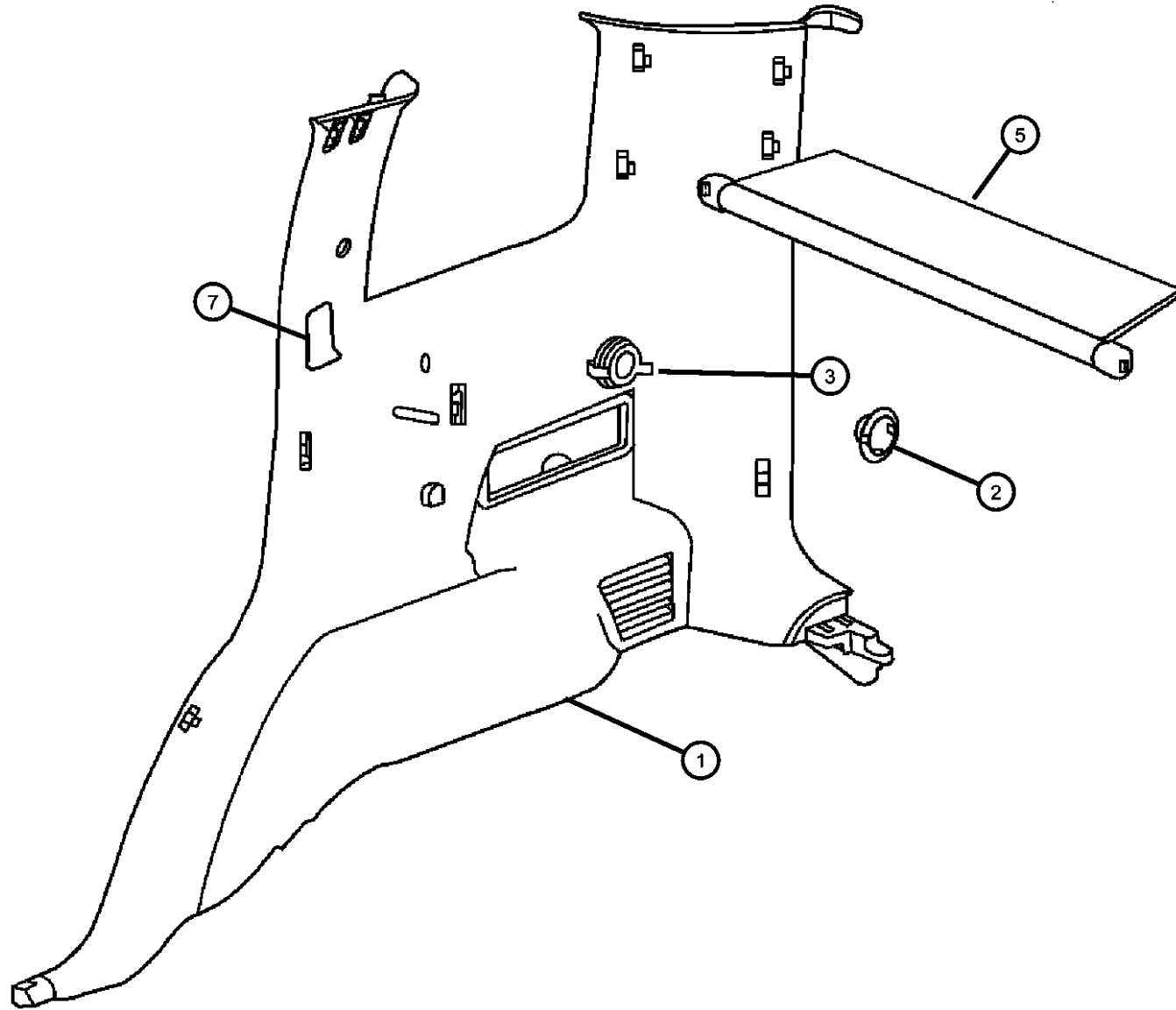
TRANSMISSION  
DGQ = Transmission-5-Spd Automatic 5-45RFE  
DG6 = Transmission-4-Spd. Automatic, 42RLE  
DEH = Transmission-6-Speed Manual, NSG370  
DG0 = Transmissions - All Automatic  
DBB = ALL MANUAL TRANSMISSIONS

AR = use ase required - = Non illustrated part

2005 KJ

**Panels, Interior Trim, Rear  
Figure IKJ-220**

ITEM	PART NUMBER	QTY	LINE	SERIES	BODY	ENGINE	TRANS	TRIM	DESCRIPTION
1									PANEL, Quarter Trim
	5HG52BD5AP	1						*00	[DB, D5], Right
	5HG52ZJ3AP	1						*00	[J1, J3], Right
	5HG55BD5AP	1						*00	[DB, D5], With CD Changer Opening, Right
	5HG55ZJ3AQ	1						*00	[J1, J3], With CD Changer Opening, Right
	5HG56BD5AP	1						*00	[DB, D5], With Trim Panel Net, Right
	5HG56ZJ3AP	1						*00	[J1, J3], With Trim Panel Net, Right
	5HG57BD5AQ	1						*00	[DB, D5], Left
	5HG57ZJ3AQ	1						*00	[J1, J3], Left
2									PLUG, Quarter Trim Panel
	5HH32BD5AA	1						*00	[DB, D5]
	5HH32ZJ3AA	1						*00	[J1, J3]
3	04793554AB	1						*00	POWER OUTLET
-4	04685668AA	1						*00	MOUNT, Power Outlet
5									COVER, Cargo Compartment
	5JM75BD5AA	1						*00	[DB, D5]
	5JM75ZJ3AA	1						*00	[J1, J3]
-6									BEZEL, Interior trim, Surrounds [CD] Changer
	0WL87BD5AA	1						*00	[DB, D5]
	0WL87ZJ3AA	1						*00	[J1, J3]
7									COVER, C Pillar
	0WR16BD5AA	1						*00	[DB, D5], Right
	0WR16ZJ3AA	1						*00	[J1, J3], Right
	0WR17BD5AA	1						*00	[DB, D5], Left
	0WR17ZJ3AA	1						*00	[J1, J3], Left



**LIBERTY (KJ)**

SERIES      LINE  
P = LIMITED      J = JEEP - 4WD  
H = SPORT      U = JEEP - 4WD (RHD)  
M = RENEGADE      T = JEEP - 2WD

BODY  
74 = SPORT UTILITY 4-DR

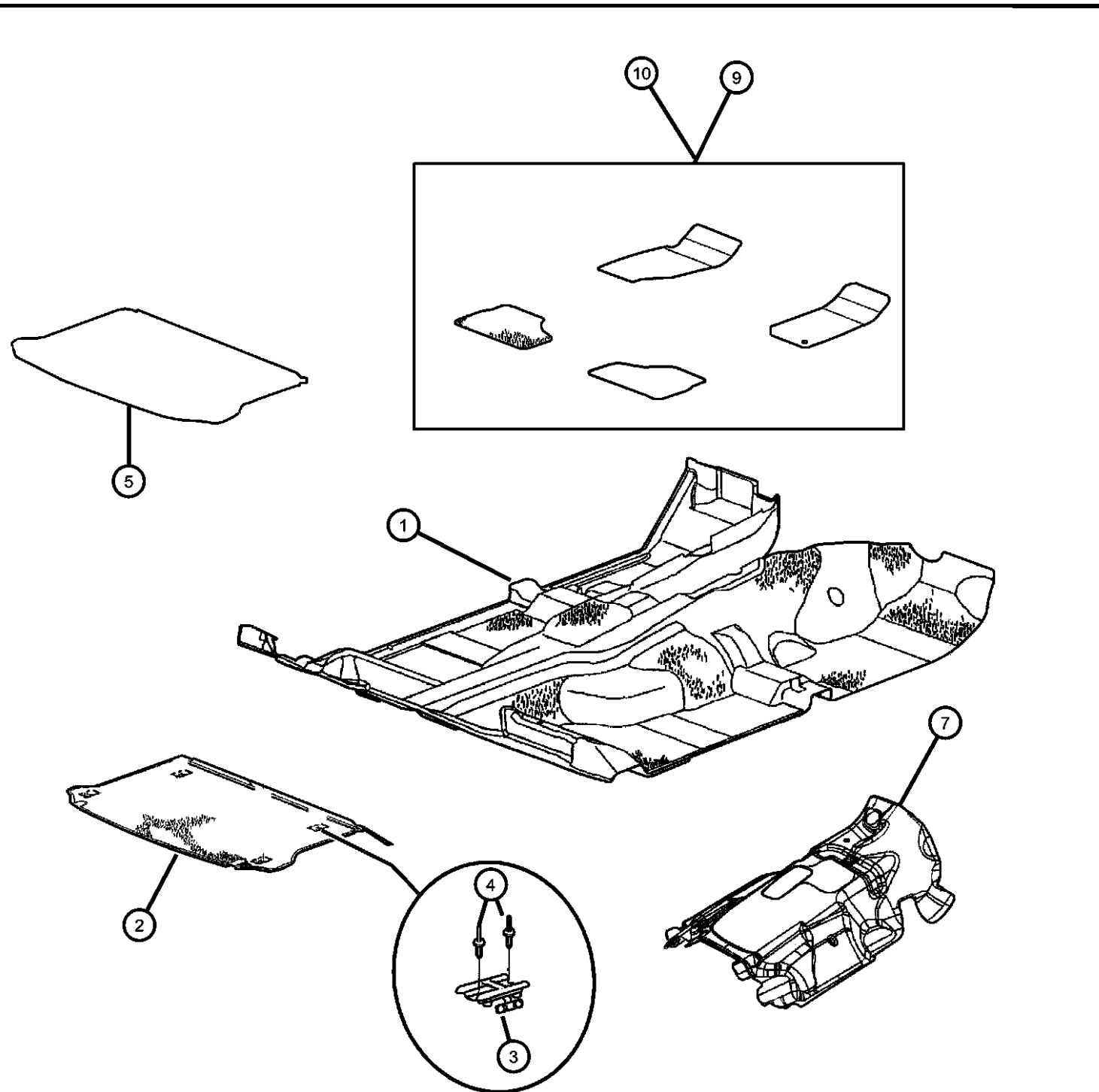
ENGINE  
ED1 = Engine - 2.4L 4 Cyl  
DOHC 16v SMPI  
EKG = Engine - 3.7L V6  
ENR = Engine - 2.8L 4 Cyl  
Turbo Diesel  
ENO = 4CYL turbo diesel

TRANSMISSION  
DGQ = Transmission-5-Spd Automatic  
5-45RFE  
DG6 = Transmission-4-Spd.  
Automatic, 42RLE  
DEH = Transmission-6-Speed Manual,  
NSG370  
DG0 = Transmissions - All Automatic  
DBB = ALL MANUAL  
TRANSMISSIONS

AR = use ase required    - = Non illustrated part

2005 KJ

**Carpets and Mats  
Figure IKJ-310**



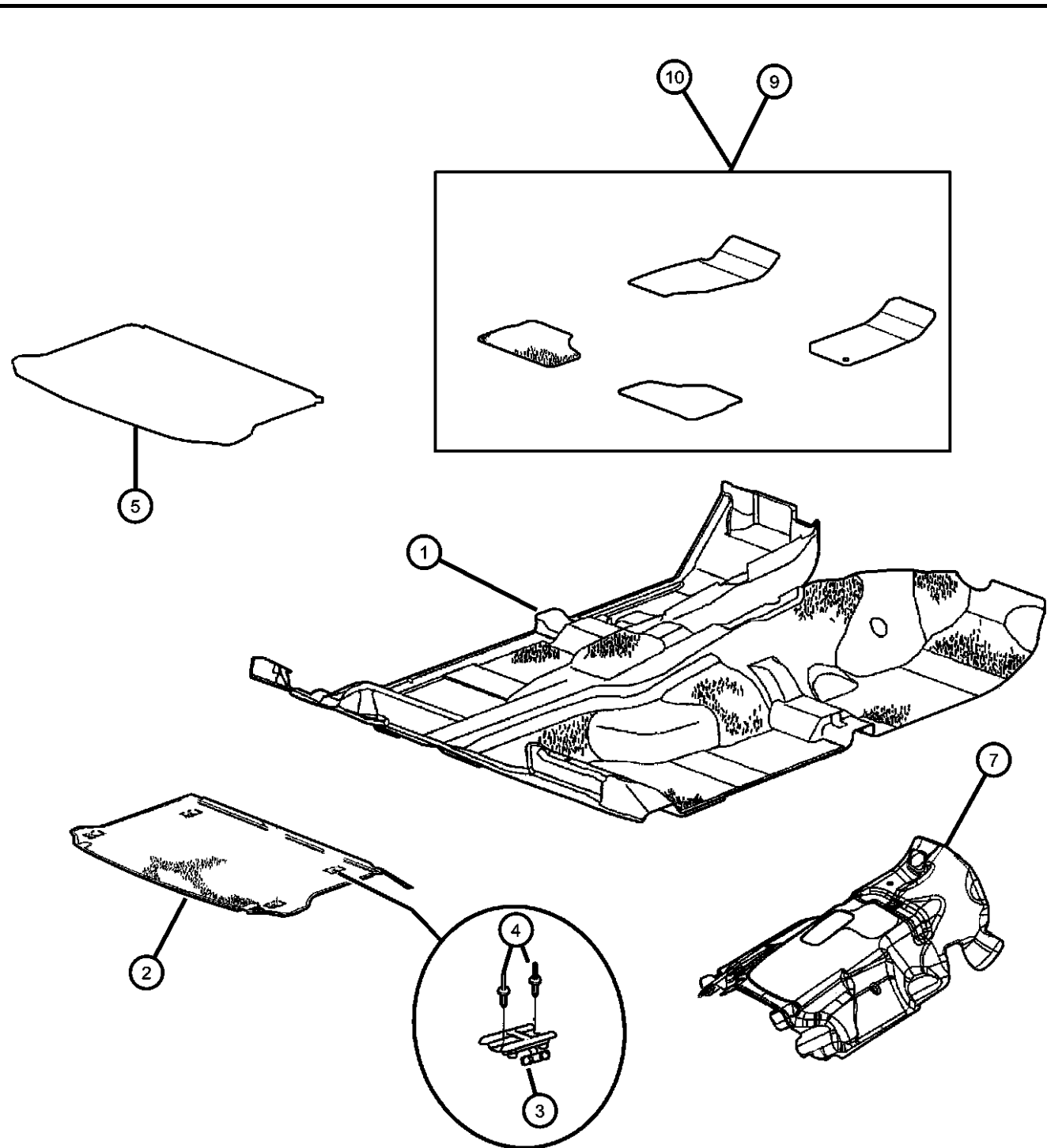
ITEM	PART NUMBER	QTY	LINE	SERIES	BODY	ENGINE	TRANS	TRIM	DESCRIPTION
1									CARPET, Front Floor
	5GF86XDHAI	1	U					*00	[DB, D5], With Manual Transmission
	5GF86ZJ8AI	1	U					*00	[J1, J3], With Manual Transmission
	5GV15XDHAI	1	U					*00	[DB, D5], With Automatic Transmission
	5GV15ZJ8AI	1	U					*00	[J1, J3], With Automatic Transmission
	5JH17XDHAD	1	J, T					*00	[DB, D5], With Automatic Transmission
	5JH17ZJ8AD	1	J, T					*00	[J1, J3], With Automatic Transmission
	5JH18XDHAD	1	J, T					*00	[DB, D5], With Manual Transmission
	5JH18ZJ8AD	1	J, T					*00	[J1, J3], With Manual Transmission
	5KL19XDHAA	1	J, T					*00	[DB, D5], With Turbo Diesel, With Automatic Transmission
	5KL19ZJ8AA	1	J, T					*00	[J1, J3], With Turbo Diesel, With Automatic Transmission
	5KL20XDHAA	1	J, T					*00	[DB, D5], With Turbo Diesel, With Manual Transmission
	5KL20ZJ8AA	1	J, T					*00	[J1, J3], With Turbo Diesel, With Manual Transmission
	5KL21XDHAA	1	U					*00	[DB, D5], With Turbo Diesel
	5KL21ZJ8AA	1	U					*00	[J1, J3], With Turbo Diesel
2									CARPET, Cargo Floor, Includes Cargo Tie Down Hooks
	5GF79XD-HAG	1						*00	[DB, D5]
	5GF79ZJ8AG	1						*00	[J1, J3]
3	05086138AA	1						*00	LOOP, Cargo Tie Down
4	06036484AA	8							RIVET, Blind Bulb, Open
5	82206761	1							MAT KIT, Bed - Interior, One piece mat folds at rear seat and flexes with seats when layed flat or in up position.
-6									CLIP, Floor Mat Retention
	05086365AA	1	U					*00	
		1	J, T					*00	

**LIBERTY (KJ)**

SERIES	LINE	BODY	ENGINE	TRANSMISSION
P = LIMITED	J = JEEP - 4WD	74 = SPORT UTILITY 4-DR	ED1 = Engine - 2.4L 4 Cyl DOHC 16v SMPI	DGQ = Transmission-5-Spd Automatic 5-45RFE
H = SPORT	U = JEEP - 4WD (RHD)		EKG = Engine - 3.7L V6	DG6 = Transmission-4-Spd. Automatic, 42RLE
M = RENEGADE	T = JEEP - 2WD		ENR = Engine - 2.8L 4 Cyl Turbo Diesel	DEH = Transmission-6-Speed Manual, NSG370
			ENO = 4CYL turbo diesel	DG0 = Transmissions - All Automatic
				DBB = ALL MANUAL TRANSMISSIONS

AR = use ase required - = Non illustrated part

**Carpets and Mats  
Figure IKJ-310**



ITEM	PART NUMBER	QTY	LINE	SERIES	BODY	ENGINE	TRANS	TRIM	DESCRIPTION
7	55352864AB	1							PAD, Tunnel
-8									SILENCER, Floor Pan, 2.8 Diesel Only
	55197230AA	1	J, T						With Footrest, Left
	55197231AA	1	J, T						Without Footrest, Left
	55197232AB	1							Rear
	55352898AC	1							Right
9									MAT KIT, Floor, Carpeted
	5JQ61XDHAA	1	J, T					*O0	[DB, D5]
	5JQ61ZJ8AA	1	J, T					*O0	[J1, J3]
	5JQ96XDHAA	1	U					*O0	[DB, D5]
	5JQ96ZJ8AA	1	U					*O0	[J1, J3]
10									MAT KIT, Floor - Complete
	82209244	1	J, T						Slush, Slate
	82209245	1	J, T						Slush, Dark Khaki

**LIBERTY (KJ)**  
 SERIES            LINE  
 P = LIMITED    J = JEEP - 4WD  
 H = SPORT      U = JEEP - 4WD (RHD)  
 M = RENEGADE T = JEEP - 2WD

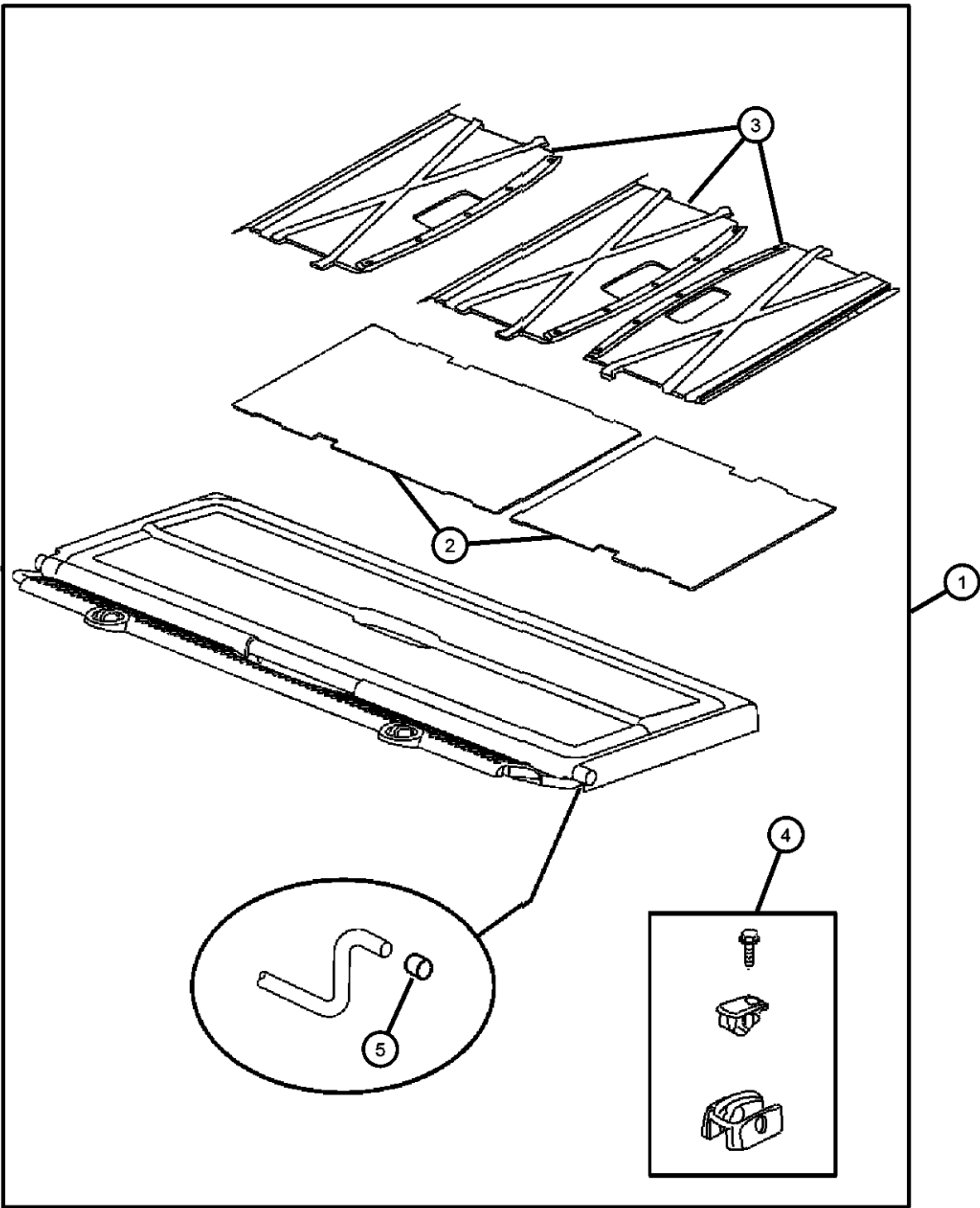
**BODY**  
 74 = SPORT UTILITY 4-DR

**ENGINE**  
 ED1 = Engine - 2.4L 4 Cyl DOHC 16v SMPI  
 EKG = Engine - 3.7L V6  
 ENR = Engine - 2.8L 4 Cyl Turbo Diesel  
 ENO = 4CYL turbo diesel

**TRANSMISSION**  
 DGQ = Transmission-5-Spd Automatic 5-45RFE  
 DG6 = Transmission-4-Spd. Automatic, 42RLE  
 DEH = Transmission-6-Speed Manual, NSG370  
 DG0 = Transmissions - All Automatic  
 DBB = ALL MANUAL TRANSMISSIONS

AR = use ase required - = Non illustrated part

**Cargo Organizer**  
**Figure IKJ-320**



ITEM	PART NUMBER	QTY	LINE	SERIES	BODY	ENGINE	TRANS	TRIM	DESCRIPTION
1	5JK491D5AE	1						*O0	ORGANIZER, CARGO [DB, D5]
	5JK491J3AE	1						*O0	[J1, J3]
2	05114524AA	1						*O0	MAT, Storage Tray Right
	05114525AA	1						*O0	Left
3	0ZF431D5AA	3						*O0	PARTITION, Cargo, Includes Anti-Rattle Tape [DB, D5]
	0ZF431J3AA	3						*O0	[J1, J3]
4	05114585AA	2						*O0	MOUNT KIT
5	05114584AA	2						*O0	CAP, Rubber

**LIBERTY (KJ)**

SERIES      LINE  
P = LIMITED      J = JEEP - 4WD  
H = SPORT      U = JEEP - 4WD (RHD)  
M = RENEGADE      T = JEEP - 2WD

BODY  
74 = SPORT UTILITY 4-DR

ENGINE  
ED1 = Engine - 2.4L 4 Cyl DOHC 16v SMPI  
EKG = Engine - 3.7L V6  
ENR = Engine - 2.8L 4 Cyl Turbo Diesel  
ENO = 4CYL turbo diesel

TRANSMISSION  
DGQ = Transmission-5-Spd Automatic 5-45RFE  
DG6 = Transmission-4-Spd. Automatic, 42RLE  
DEH = Transmission-6-Speed Manual, NSG370  
DG0 = Transmissions - All Automatic  
DBB = ALL MANUAL TRANSMISSIONS

AR = use ase required - = Non illustrated part

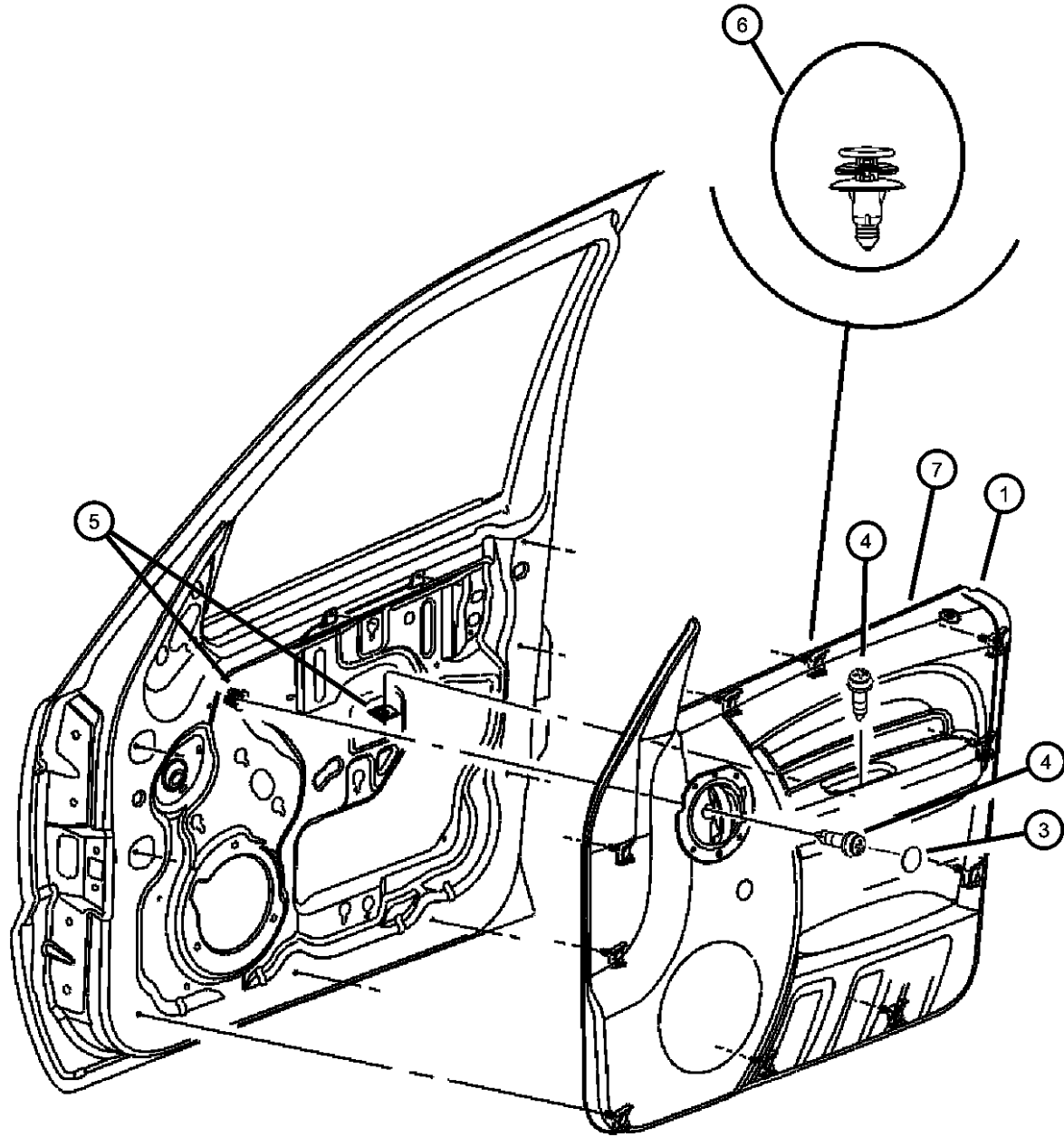
2005 KJ



**Trim Panel, Front Door  
Figure IKJ-410**

ITEM	PART NUMBER	QTY	LINE	SERIES	BODY	ENGINE	TRANS	TRIM	DESCRIPTION
------	-------------	-----	------	--------	------	--------	-------	------	-------------

Sales Codes:  
 [CBF] = Premium Cloth Bolster, Bright Door Handle  
 [CTC] = Leather  
 [CTL] = Base, Cloth Bolster, Color Keyed Door Handle  
 [CTM] = Deluxe



1									PANEL, Front Door Trim, Includes Door Handle and Clips
	0YB42BD5AA	1	J, T					*00	[D5], With Sales Code [CTL], Right
	0YB42ZJ3AA	1	J, T					*00	[J3], With Sales Code [CTL], Right
	0YB43BD5AA	1	J, T					*00	[D5], With Sales Code [CTL], Left
	0YB43ZJ3AA	1	J, T					*00	[J3], With Sales Code [CTL], Left
	0YC06BD5AA	1	U					*00	[D5], With Sales Code [CTL], Right Hand Drive, Right, Export
	0YC06ZJ3AA	1	U					*00	[J3], With Sales Code [CTL], Right Hand Drive, Right, Export
	0YC07BD5AA	1	U					*00	[D5], With Sales Code [CTL], Right Hand Drive, Left, Export
	0YC07ZJ3AA	1	U					*00	[J3], With Sales Code [CTL], Right Hand Drive, Left, Export
	1AE111DBAA	1	J, T					*00	[DB], With Sales Codes [CBF] and [CTC], With Color Keyed Door Lock Bezel, Left
	1AE111J3AA	1	J, T					*00	[J3], With Sales Codes [CBF] and [CTC], With Color Keyed Door Lock Bezel, Left
	1AE121D1AA	1	U					*00	[J1], With Sales Codes [CBF] and [CTC], With Color Keyed Door Lock Bezel, Right Hand Drive, Right
	1AE121D5AA	1	U					*00	[D5], With Sales Codes [CBF] and [CTC], With Color Keyed Door Lock Bezel, Right Hand Drive, Right
	1AE101D1AA	1	J, T					*00	[J1], With Sales Codes [CBF] and [CTC], With Color Keyed Door Lock Bezel, Right
	1AE101D5AA	1	J, T					*00	[D5], With Sales Codes [CBF] and [CTC], With Color Keyed Door Lock Bezel, Right
	1AE101DBAA	1	J, T					*00	[DB], With Sales Codes [CBF] and [CTC], With Color Keyed Door Lock Bezel, Right

**LIBERTY (KJ)**

SERIES      LINE  
 P = LIMITED      J = JEEP - 4WD  
 H = SPORT      U = JEEP - 4WD (RHD)  
 M = RENEGADE      T = JEEP - 2WD

BODY  
 74 = SPORT UTILITY 4-DR

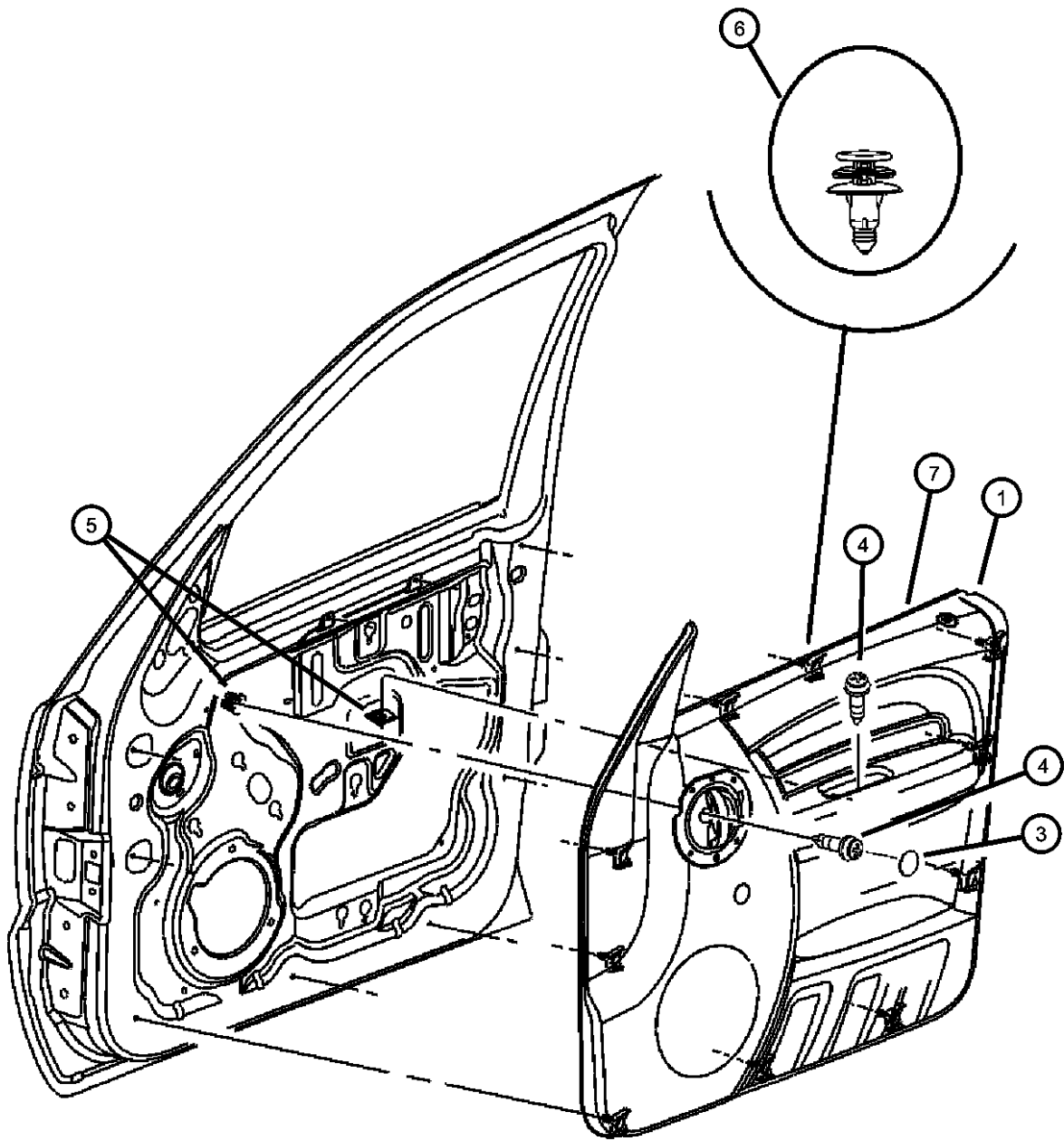
ENGINE  
 ED1 = Engine - 2.4L 4 Cyl DOHC 16v SMPI  
 EKG = Engine - 3.7L V6  
 ENR = Engine - 2.8L 4 Cyl Turbo Diesel  
 ENO = 4CYL turbo diesel

TRANSMISSION  
 DGQ = Transmission-5-Spd Automatic 5-45RFE  
 DG6 = Transmission-4-Spd. Automatic, 42RLE  
 DEH = Transmission-6-Speed Manual, NSG370  
 DG0 = Transmissions - All Automatic  
 DBB = ALL MANUAL TRANSMISSIONS

AR = use ase required - = Non illustrated part

2005 KJ

**Trim Panel, Front Door  
Figure IKJ-410**



ITEM	PART NUMBER	QTY	LINE	SERIES	BODY	ENGINE	TRANS	TRIM	DESCRIPTION
	1AE101J3AA	1	J, T					*00	[J3], With Sales Codes [CBF] and [CTC], With Color Keyed Door Lock Bezel, Right
	1AE111D1AA	1	J, T					*00	[J1], With Sales Codes [CBF] and [CTC], With Color Keyed Door Lock Bezel, Left
	1AE111D5AA	1	J, T					*00	[D5], With Sales Codes [CBF] and [CTC], With Color Keyed Door Lock Bezel, Left
	1AE121DBAA	1	U					*00	[DB], With Sales Codes [CBF] and [CTC], With Color Keyed Door Lock Bezel, Right Hand Drive, Right
	1AE121J3AA	1	U					*00	[J3], With Sales Codes [CBF] and [CTC], With Color Keyed Door Lock Bezel, Right Hand Drive, Right
	1AE131D1AA	1	U					*00	[J1], With Sales Codes [CBF] and [CTC], With Color Keyed Door Lock Bezel, Right Hand Drive, Left
	1AE131D5AA	1	U					*00	[D5], With Sales Codes [CBF] and [CTC], With Color Keyed Door Lock Bezel, Right Hand Drive, Left
	1AE131DBAA	1	U					*00	[DB], With Sales Codes [CBF] and [CTC], With Color Keyed Door Lock Bezel, Right Hand Drive, Left
	1AE131J3AA	1	U					*00	[J3], With Sales Codes [CBF] and [CTC], With Color Keyed Door Lock Bezel, Right Hand Drive, Left
	1BA56BD5AA	1	J, T					*00	[D5], With Sales Code [CTL], With Turbo Diesel, Right
	1BA56ZJ3AA	1	J, T					*00	[J3], With Sales Code [CTL], With Turbo Diesel, Right
	1BA57BD5AA	1	J, T					*00	[D5], With Sales Code [CTL], With Turbo Diesel, Left
	1BA57ZJ3AA	1	J, T					*00	[J3], With Sales Code [CTL], With Turbo Diesel, Left
	1BA591D5AA	1	J, T					*00	[D5], With Sales Codes [CBF] and [CTC], With Color Keyed Door Lock Bezel, With Turbo Diesel, Left

**LIBERTY (KJ)**

SERIES      LINE  
P = LIMITED      J = JEEP - 4WD  
H = SPORT      U = JEEP - 4WD (RHD)  
M = RENEGADE      T = JEEP - 2WD

BODY  
74 = SPORT UTILITY 4-DR

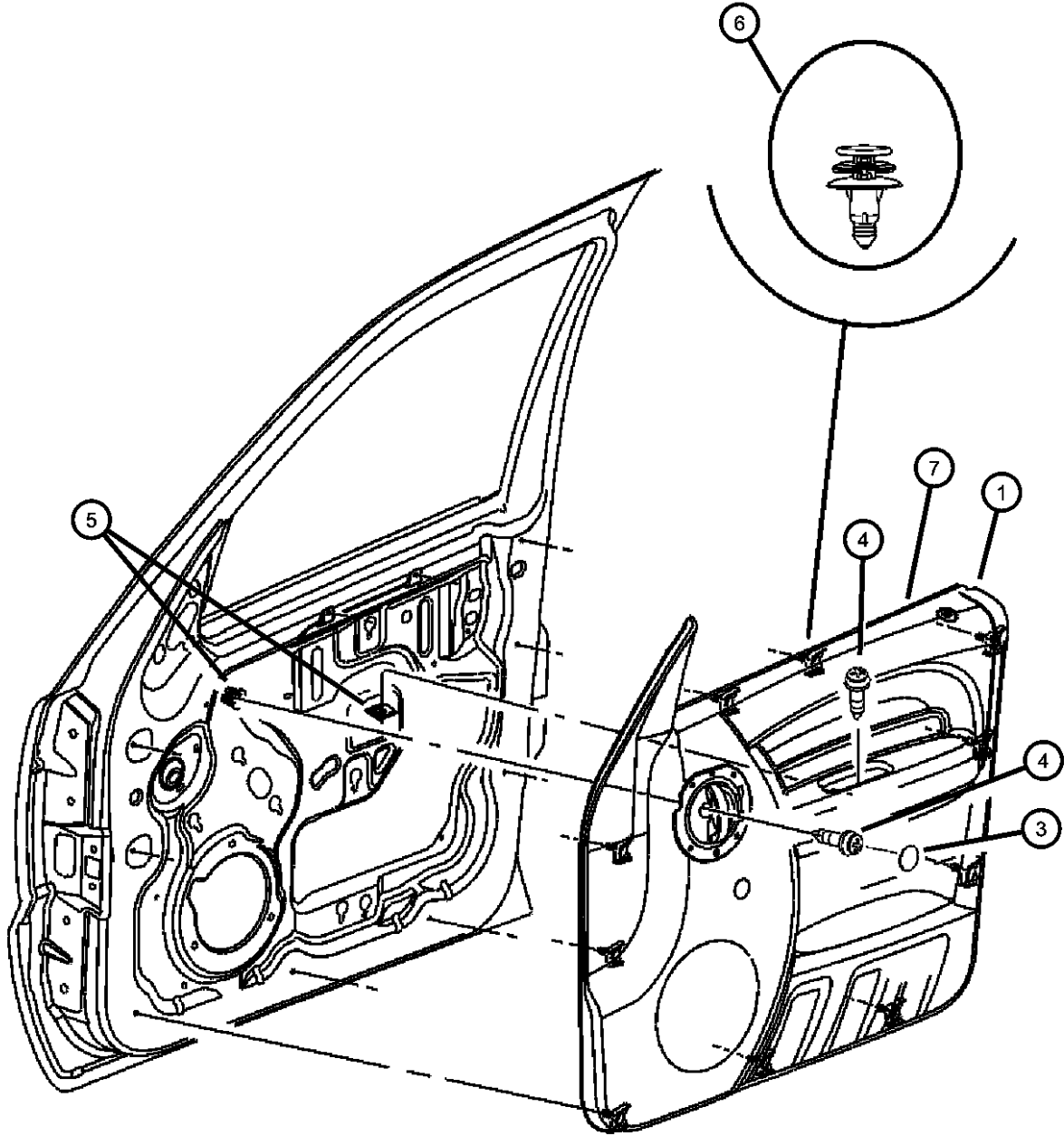
ENGINE  
ED1 = Engine - 2.4L 4 Cyl DOHC 16v SMPI  
EKG = Engine - 3.7L V6  
ENR = Engine - 2.8L 4 Cyl Turbo Diesel  
ENO = 4CYL turbo diesel

TRANSMISSION  
DGQ = Transmission-5-Spd Automatic 5-45RFE  
DG6 = Transmission-4-Spd. Automatic, 42RLE  
DEH = Transmission-6-Speed Manual, NSG370  
DG0 = Transmissions - All Automatic  
DBB = ALL MANUAL TRANSMISSIONS

AR = use ase required - = Non illustrated part

2005 KJ

Trim Panel, Front Door  
Figure IKJ-410



ITEM	PART NUMBER	QTY	LINE	SERIES	BODY	ENGINE	TRANS	TRIM	DESCRIPTION
	1BA591DBAA	1	J, T					*O0	[DB], With Sales Codes [CBF] and [CTC], With Color Keyed Door Lock Bezel, With Turbo Diesel, Left
	1BA591J3AA	1	J, T					*O0	[J3], With Sales Codes [CBF] and [CTC], With Color Keyed Door Lock Bezel, With Turbo Diesel, Left
	1BU081D1AA	1	J, T					*O0	[J1], With Sales Code [CTM], Right
	1BU081D5AA	1	J, T					*O0	[D5], With Sales Code [CTM], Right
	1BA581D1AA	1	J, T					*O0	[J1], With Sales Codes [CBF] and [CTC], With Color Keyed Door Lock Bezel, With Turbo Diesel, Right
	1BA581D5AA	1	J, T					*O0	[D5], With Sales Codes [CBF] and [CTC], With Color Keyed Door Lock Bezel, With Turbo Diesel, Right
	1BA581DBAA	1	J, T					*O0	[DB], With Sales Codes [CBF] and [CTC], With Color Keyed Door Lock Bezel, With Turbo Diesel, Right
	1BA581J3AA	1	J, T					*O0	[J3], With Sales Codes [CBF] and [CTC], With Color Keyed Door Lock Bezel, With Turbo Diesel, Right
	1BA591D1AA	1	J, T					*O0	[J1], With Sales Codes [CBF] and [CTC], With Color Keyed Door Lock Bezel, With Turbo Diesel, Left
	1BU081DBAA	1	J, T					*O0	[DB], With Sales Code [CTM], Right
	1BU081J3AA	1	J, T					*O0	[J3], With Sales Code [CTM], Right
	1BU091D1AA	1	T, J					*O0	[J1], With Sales Code [CTM], Left
	1BU091D5AA	1	J, T					*O0	[D5], With Sales Code [CTM], Left
	1BU091DBAA	1	J, T					*O0	[DB], With Sales Code [CTM], Left
	1BU091J3AA	1	J, T					*O0	[J3], With Sales Code [CTM], Left

LIBERTY (KJ)

SERIES      LINE  
P = LIMITED      J = JEEP - 4WD  
H = SPORT      U = JEEP - 4WD (RHD)  
M = RENEGADE      T = JEEP - 2WD

BODY  
74 = SPORT UTILITY 4-DR

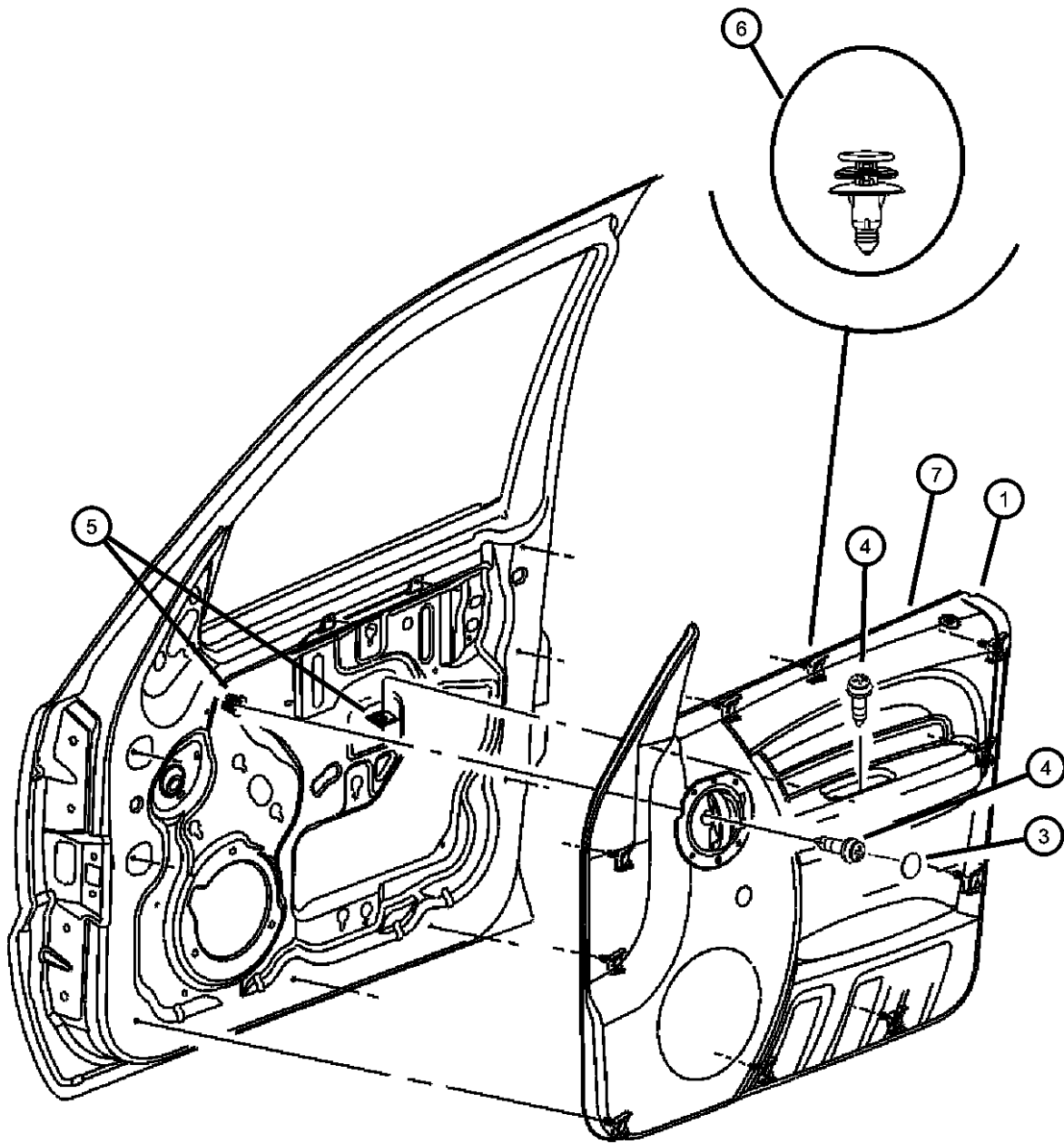
ENGINE  
ED1 = Engine - 2.4L 4 Cyl DOHC 16v SMPI  
EKG = Engine - 3.7L V6  
ENR = Engine - 2.8L 4 Cyl Turbo Diesel  
ENO = 4CYL turbo diesel

TRANSMISSION  
DGQ = Transmission-5-Spd Automatic 5-45RFE  
DG6 = Transmission-4-Spd. Automatic, 42RLE  
DEH = Transmission-6-Speed Manual, NSG370  
DG0 = Transmissions - All Automatic  
DBB = ALL MANUAL TRANSMISSIONS

AR = use ase required - = Non illustrated part

2005 KJ

**Trim Panel, Front Door  
Figure IKJ-410**



ITEM	PART NUMBER	QTY	LINE	SERIES	BODY	ENGINE	TRANS	TRIM	DESCRIPTION
	1BU101D1AA	1	J, T					*00	[J1], With Sales Code [CTM], With Turbo Diesel, Right
	1BU101D5AA	1	J, T					*00	[D5], With Sales Code [CTM], With Turbo Diesel, Right
	1BU101DBAA	1	J, T					*00	[DB], With Sales Code [CTM], With Turbo Diesel, Right
	1BU101J3AA	1	J, T					*00	[J3], With Sales Code [CTM], With Turbo Diesel, Right
	1BU111D1AA	1	J, T					*00	[J1], With Sales Code [CTM], With Turbo Diesel, Left
	1BU111D5AA	1	J, T					*00	[D5], With Sales Code [CTM], With Turbo Diesel, Left
	1BU111J3AA	1	J, T					*00	[J3], With Sales Code [CTM], With Turbo Diesel, Left
	1BU121D1AA	1	U					*00	[J1], With Sales Code [CTM], Right Hand Drive, Right, Export
	1BU121D5AA	1	U					*00	[D5], With Sales Code [CTM], Right Hand Drive, Right, Export
	1BU121DBAA	1	U					*00	[DB], With Sales Code [CTM], Right Hand Drive, Right, Export
	1BU121J3AA	1	U					*00	[J3], With Sales Code [CTM], Right Hand Drive, Right, Export
	1BU131D1AA	1	U					*00	[J1], With Sales Code [CTM], Right Hand Drive, Left, Export
	1BU131D5AA	1	U					*00	[D5], With Sales Code [CTM], Right Hand Drive, Left, Export
	1BU131DBAA	1	U					*00	[DB], With Sales Code [CTM], Right Hand Drive, Left, Export
	1BU131J3AA	1	U					*00	[J3], With Sales Code [CTM], Right Hand Drive, Left, Export
	1BU111DBAA	1	J, T					*00	[DB], With Sales Code [CTM], With Turbo Diesel, Left
-2	04658676	2						*00	CLIP, Latch Link
3									PLUG, Door Trim Panel
	5GY30BD5AA	2						*00	[DB, D5]
	5GY30ZJ3AA	2						*00	[J1, J3]
4	5GY30ZJ3AA	2							SCREW, .164-18x1.00, (NOT SERVICED),
5	00152490	2							NUT, Spring, .16-18

**LIBERTY (KJ)**

SERIES      LINE  
P = LIMITED      J = JEEP - 4WD  
H = SPORT      U = JEEP - 4WD (RHD)  
M = RENEGADE      T = JEEP - 2WD

BODY  
74 = SPORT UTILITY 4-DR

ENGINE  
ED1 = Engine - 2.4L 4 Cyl DOHC 16v SMPI  
EKG = Engine - 3.7L V6  
ENR = Engine - 2.8L 4 Cyl Turbo Diesel  
ENO = 4CYL turbo diesel

TRANSMISSION  
DGQ = Transmission-5-Spd Automatic 5-45RFE  
DG6 = Transmission-4-Spd. Automatic, 42RLE  
DEH = Transmission-6-Speed Manual, NSG370  
DG0 = Transmissions - All Automatic  
DBB = ALL MANUAL TRANSMISSIONS

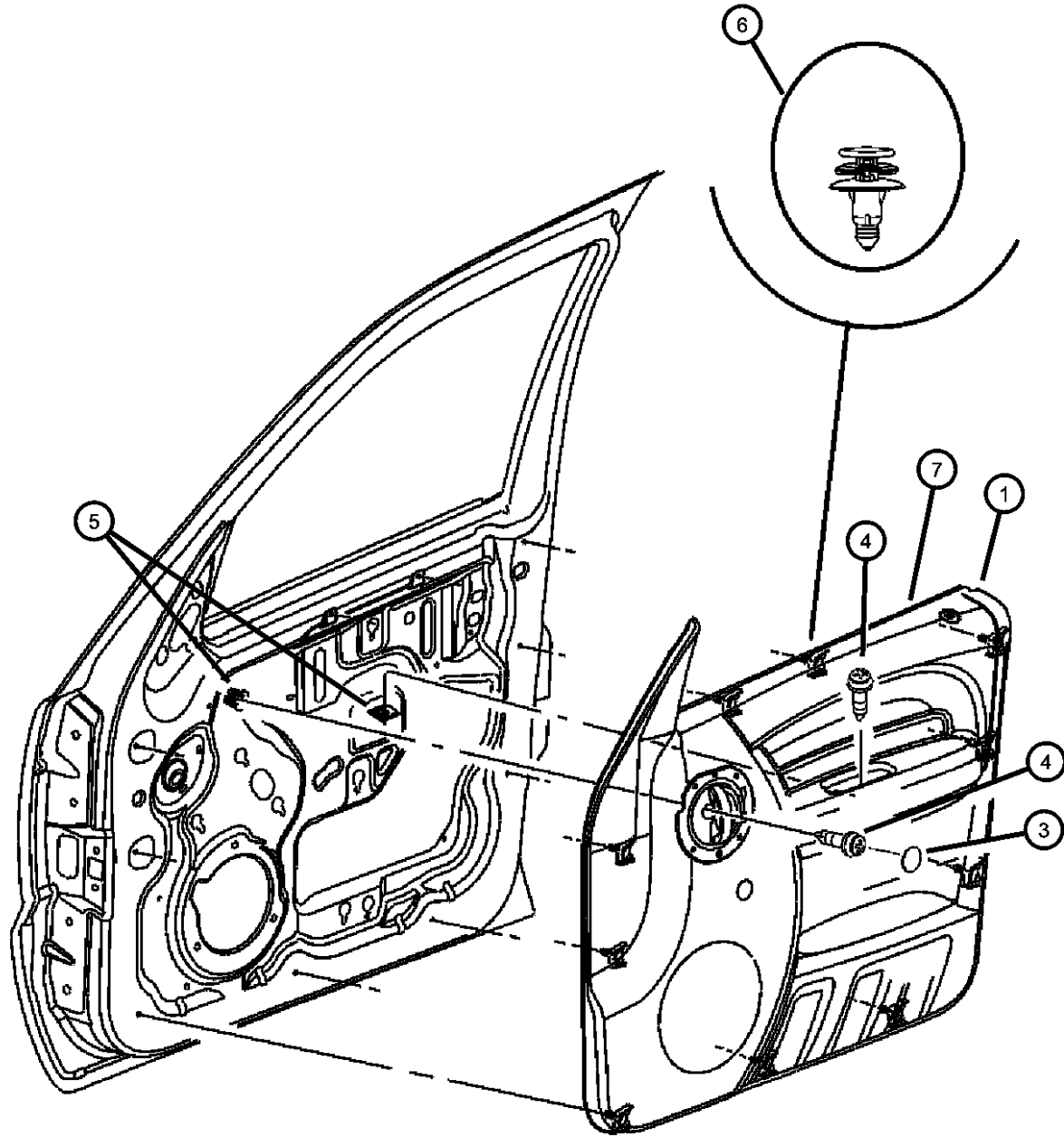
AR = use ase required    - = Non illustrated part

2005 KJ

Trim Panel, Front Door  
Figure IKJ-410

ITEM	PART NUMBER	QTY	LINE	SERIES	BODY	ENGINE	TRANS	TRIM	DESCRIPTION
------	-------------	-----	------	--------	------	--------	-------	------	-------------

6	05023173AA	9							*O0 RETAINER, Trim Panel, Grommet and Pin
7	55235878AC	1							*O0 WEATHERSTRIP, Door Belt Moulding



LIBERTY (KJ)

SERIES	LINE
P = LIMITED	J = JEEP - 4WD
H = SPORT	U = JEEP - 4WD (RHD)
M = RENEGADE	T = JEEP - 2WD

BODY  
74 = SPORT UTILITY 4-DR

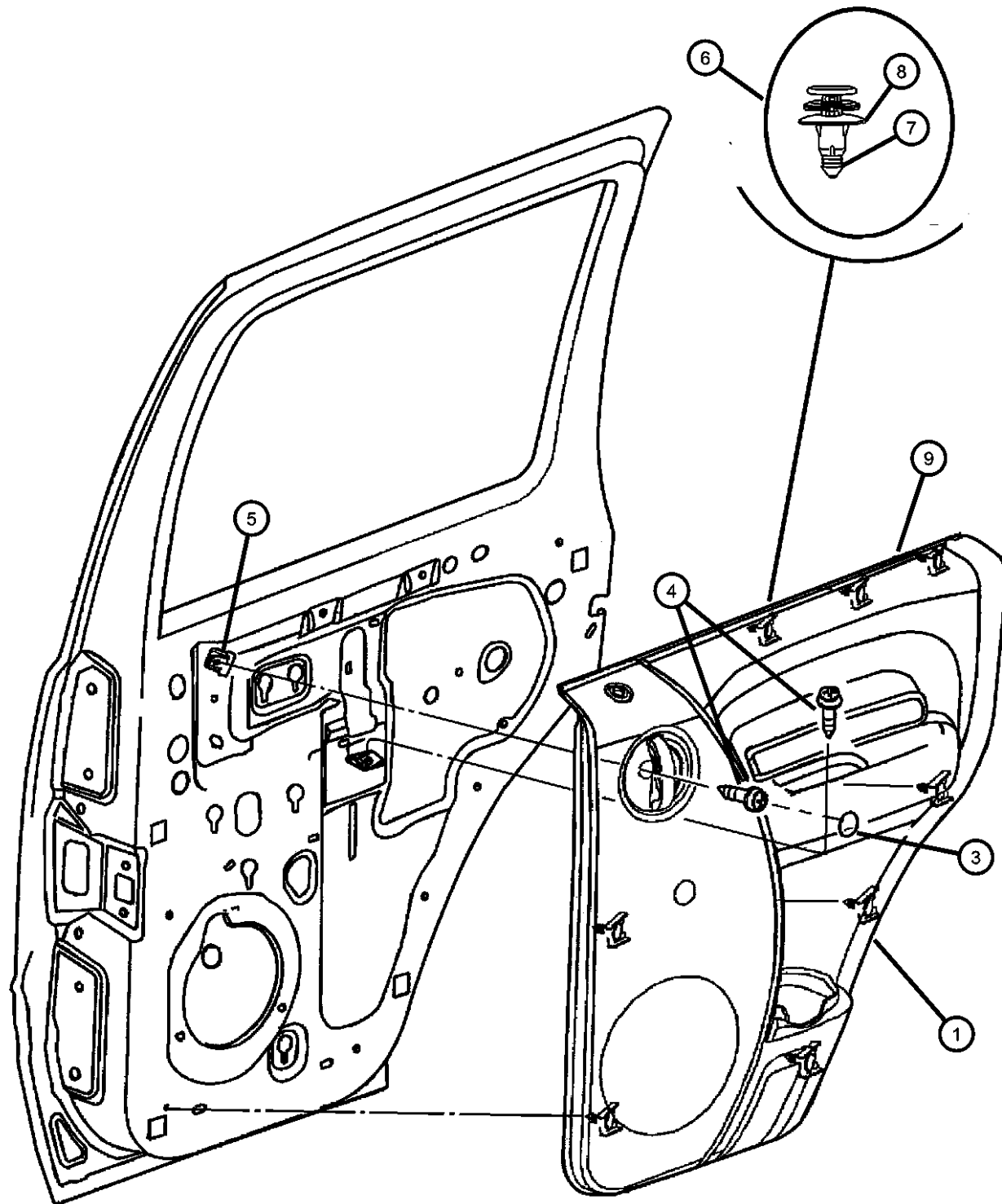
ENGINE  
ED1 = Engine - 2.4L 4 Cyl DOHC 16v SMPI  
EKG = Engine - 3.7L V6  
ENR = Engine - 2.8L 4 Cyl Turbo Diesel  
ENO = 4CYL turbo diesel

TRANSMISSION  
DGQ = Transmission-5-Spd Automatic 5-45RFE  
DG6 = Transmission-4-Spd. Automatic, 42RLE  
DEH = Transmission-6-Speed Manual, NSG370  
DG0 = Transmissions - All Automatic  
DBB = ALL MANUAL TRANSMISSIONS

AR = use ase required - = Non illustrated part

2005 KJ

Trim Panel, Rear Door  
Figure IKJ-420



ITEM	PART NUMBER	QTY	LINE	SERIES	BODY	ENGINE	TRANS	TRIM	DESCRIPTION
------	-------------	-----	------	--------	------	--------	-------	------	-------------

Sales Codes:  
 [CBF] = Premium Vinyl Bolster, Bright Door Handle  
 [CTC] = Leather  
 [CTL] = Base, Vinyl Bolster, Color Keyed Door Handle  
 [CTM] = Deluxe

1									PANEL, Rear Door Trim, Includes Door Handle
	5GF18BD5AT	1						*00	[D5], With Sales Code [CTL], Right
	5GF18ZJ3AT	1						*00	[J3], With Sales Code [CTL], Right
	5GF19BD5AT	1						*00	[D5], With Sales Code [CTL], Left
	5GF19ZJ3AT	1						*00	[J3], With Sales Code [CTL], Left
	5GF201D1AU	1						*00	[J1], With Sales Codes [CBF], [CTC], [CTM], Right
	5GF201D5AU	1						*00	[DB, D5], With Sales Codes [CBF], [CTC], [CTM], Right
	5GF201J3AU	1						*00	[J3], With Sales Codes [CBF], [CTC], [CTM], Right
	5GF211D1AU	1						*00	[J1], With Sales Codes [CBF], [CTC], [CTM], Left
	5GF211D5AU	1						*00	[DB, D5], With Sales Codes [CBF], [CTC], [CTM], Left
	5GF211J3AU	1						*00	[J3], With Sales Codes [CBF], [CTC], [CTM], Left
-2	04658676	2						*00	CLIP, Latch Link, Also serviced with the Door Panel PLUG, Door Trim Panel
3									
	5GY30BD5AA	2						*00	[DB, D5]
	5GY30ZJ3AA	2						*00	[J1, J3]
4	5GY30ZJ3AA	2							SCREW, .164-18x1.00, (NOT SERVICED), NUT, Spring, .16-18
5	00152490	2							
6	05023173AA	9						*00	RETAINER, Trim Panel, Grommet and Pin
7	05023174AA	9						*00	PIN, Push, Also serviced with 5023713AA
8	05023175AA	9						*00	GROMMET, Also serviced with 5023713AA
9									WEATHERSTRIP, Door Belt Moulding

LIBERTY (KJ)

SERIES      LINE  
 P = LIMITED      J = JEEP - 4WD  
 H = SPORT      U = JEEP - 4WD (RHD)  
 M = RENEGADE      T = JEEP - 2WD

BODY  
 74 = SPORT UTILITY 4-DR

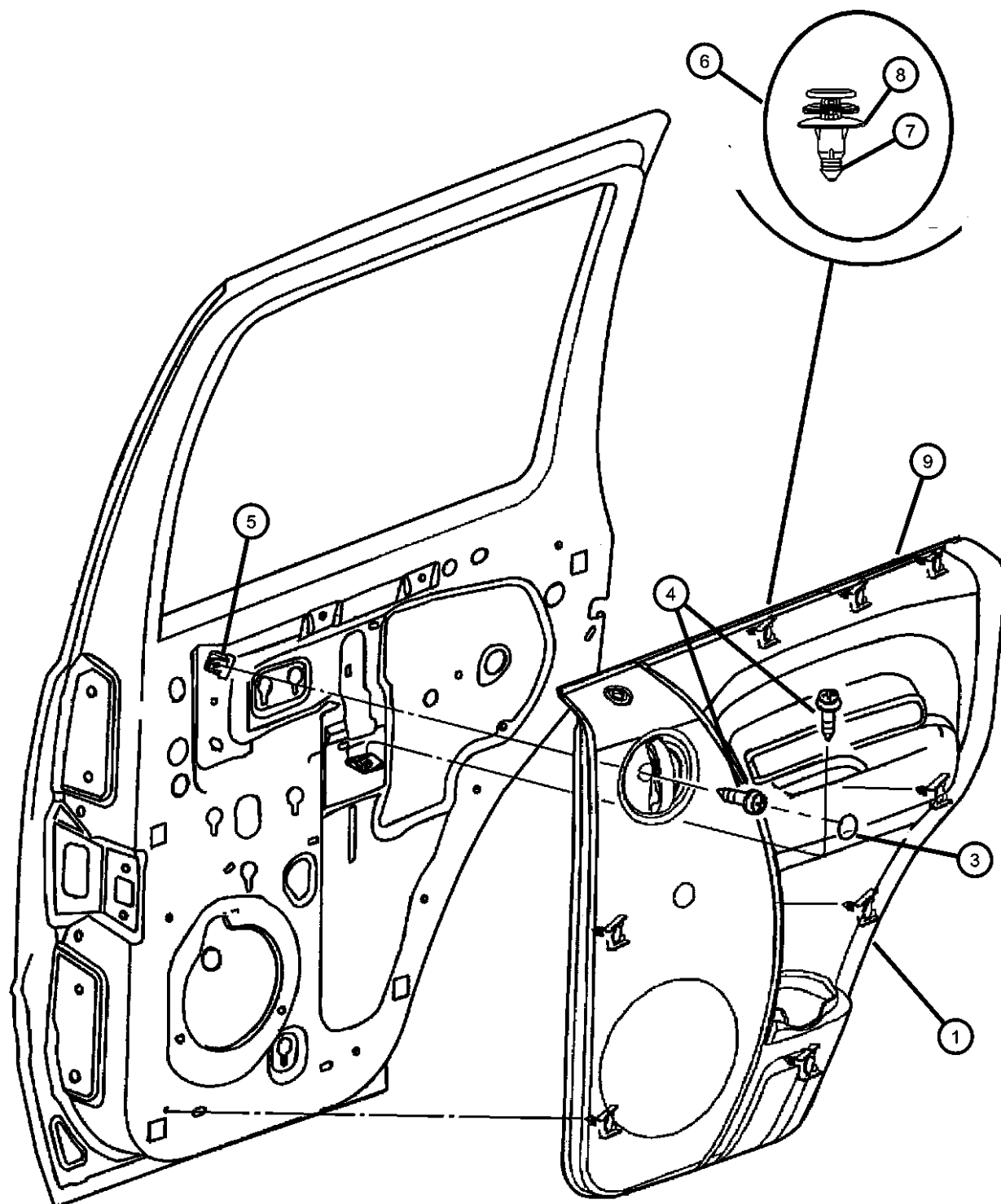
ENGINE  
 ED1 = Engine - 2.4L 4 Cyl DOHC 16v SMPI  
 EKG = Engine - 3.7L V6  
 ENR = Engine - 2.8L 4 Cyl Turbo Diesel  
 ENO = 4CYL turbo diesel

TRANSMISSION  
 DGQ = Transmission-5-Spd Automatic 5-45RFE  
 DG6 = Transmission-4-Spd. Automatic, 42RLE  
 DEH = Transmission-6-Speed Manual, NSG370  
 DG0 = Transmissions - All Automatic  
 DBB = ALL MANUAL TRANSMISSIONS

AR = use ase required - = Non illustrated part

2005 KJ

Trim Panel, Rear Door  
Figure IKJ-420



ITEM	PART NUMBER	QTY	LINE	SERIES	BODY	ENGINE	TRANS	TRIM	DESCRIPTION
------	-------------	-----	------	--------	------	--------	-------	------	-------------

	55235886AC	1						*00	Right
	55235887AC	1						*00	Left

LIBERTY (KJ)

SERIES	LINE
P = LIMITED	J = JEEP - 4WD
H = SPORT	U = JEEP - 4WD (RHD)
M = RENEGADE	T = JEEP - 2WD

BODY
74 = SPORT UTILITY 4-DR

ENGINE
ED1 = Engine - 2.4L 4 Cyl DOHC 16v SMPI
EKG = Engine - 3.7L V6
ENR = Engine - 2.8L 4 Cyl Turbo Diesel
ENO = 4CYL turbo diesel

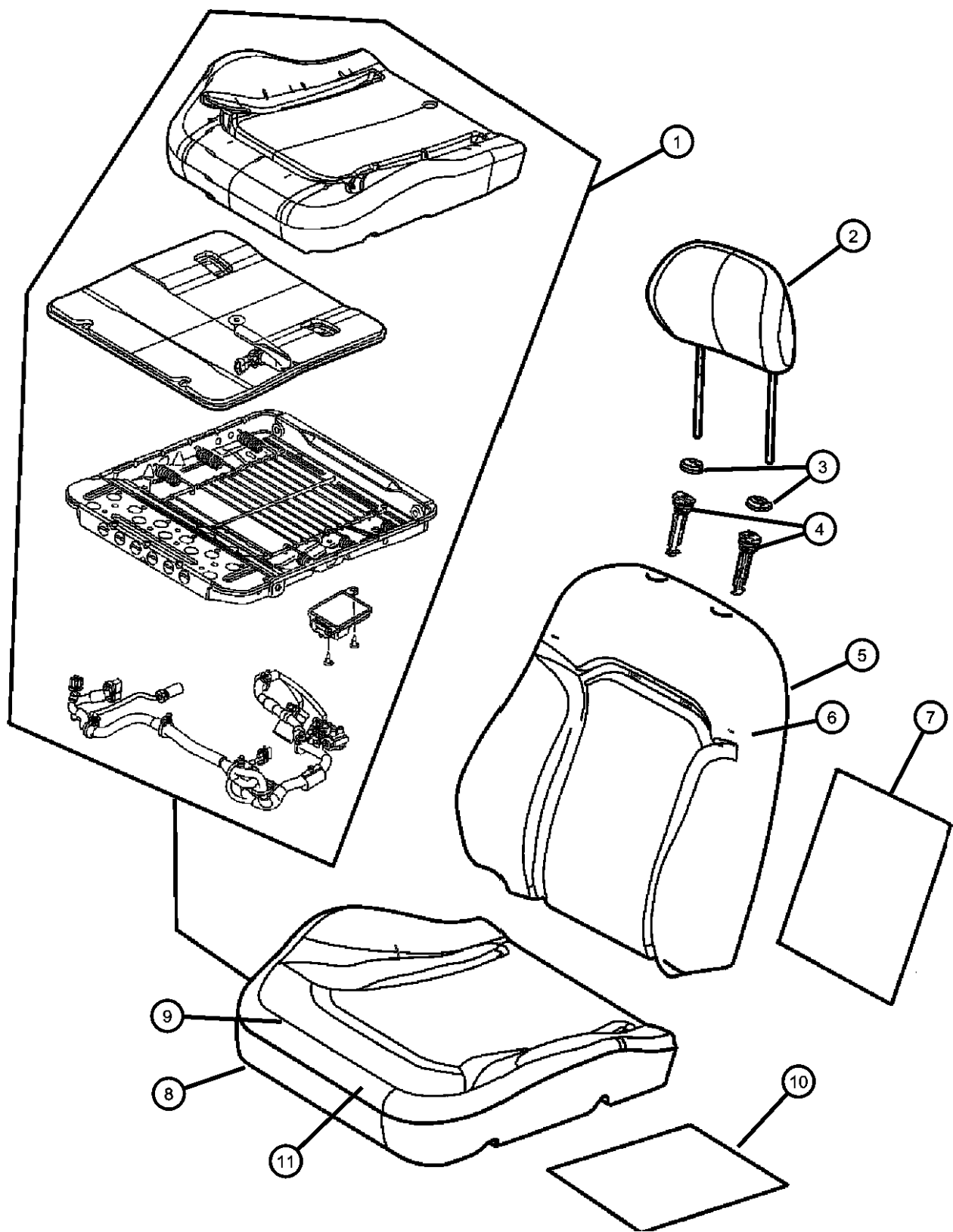
TRANSMISSION
DGQ = Transmission-5-Spd Automatic 5-45RFE
DG6 = Transmission-4-Spd. Automatic, 42RLE
DEH = Transmission-6-Speed Manual, NSG370
DG0 = Transmissions - All Automatic
DBB = ALL MANUAL TRANSMISSIONS

AR = use ase required - = Non illustrated part

2005 KJ

Front Seat, Leather, Low Back, Trim Code [DL]

Figure IKJ-510



ITEM	PART NUMBER	QTY	LINE	SERIES	BODY	ENGINE	TRANS	TRIM	DESCRIPTION
------	-------------	-----	------	--------	------	--------	-------	------	-------------

Note: For United States/Canada vehicles only, if right side Cushion Foam is needed order Bladder Repair Kit. Do not attempt to replace the right side

1									BLADDER REPAIR KIT, Occupant Classification System, See Note, Right Side Only
	05142934AA	1	J, T					*DL	With Non-Heated Seat, Passenger
	05142935AA	1	J, T					*DL	With Heated Seat, Passenger
2									HEADREST, Front
	1BB651DBAA	2	J, U					*DL	[DB]
		2	J, T					*DL	[DB]
	1BB651D1AA	2	J, U					*DL	[J1]
		2	J, T					*DL	[J1]
3									CAP, Headrest Adjuster
	0WA491D1AA	1	J, T					*DL	[J1], With Button
		1	J, U					*DL	[J1], With Button, Export
	0WA501D1AA	1	J, T					*DL	[J1], Without Button
		1	J, U					*DL	[J1], Without Button, Export
	0WA501DBAA	1	J, T					*DL	[DB], Without Button
	0WA491DBAA	1	J, U					*DL	[DB], With Button, Export
		1	J, T					*DL	[DB], With Button
		1	J, U					*DL	[DB], Without Button, Export
4									SLEEVE, Headrest
	05066563AA	1	J, U					*DL	
		2	J, T					*DL	
5									BACK, Front Seat
	1BB541D1AA	1	J, T					*DL	[J1], Non-Heated, Right
		1	J, U					*DL	[J1], Non-Heated, Left
	1BB551DBAA	1	J, U					*DL	[DB], Non-Heated, Left
	1BB561D1AA	1	J, T					*DL	[J1], Heated, Right
		1	J, U					*DL	[J1], Heated, Right
	1BB561DBAA	1	J, T					*DL	[DB], Heated, Right
	1BB541DBAA	1	J, U					*DL	[DB], Non-Heated, Right
		1	J, T					*DL	[DB], Non-Heated, Right

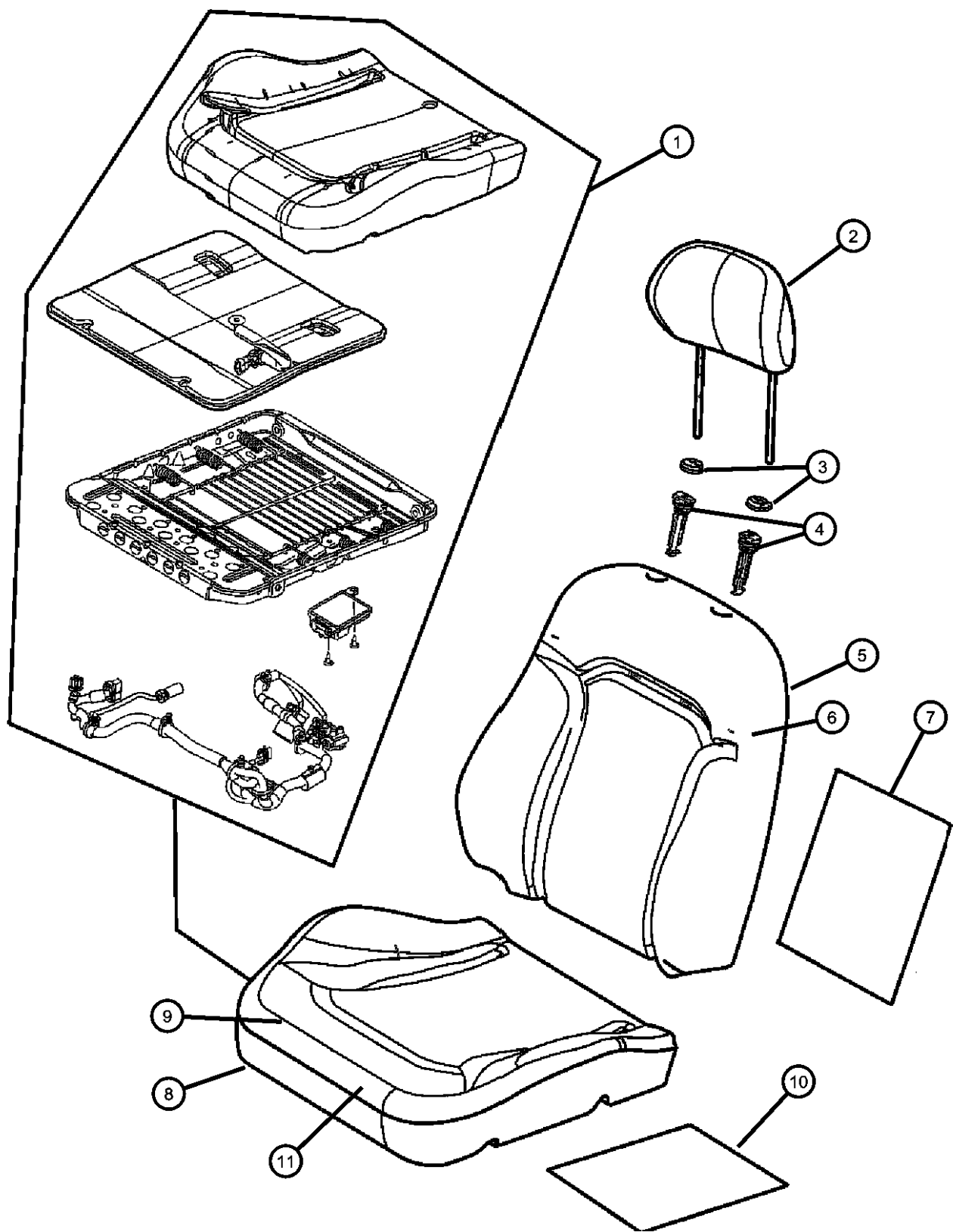
<b>LIBERTY (KJ)</b>				
SERIES	LINE	BODY	ENGINE	TRANSMISSION
P = LIMITED	J = JEEP - 4WD	74 = SPORT UTILITY 4-DR	ED1 = Engine - 2.4L 4 Cyl DOHC 16v SMPI	DGQ = Transmission-5-Spd Automatic 5-45RFE
H = SPORT	U = JEEP - 4WD (RHD)		EKG = Engine - 3.7L V6	DG6 = Transmission-4-Spd. Automatic, 42RLE
M = RENEGADE	T = JEEP - 2WD		ENR = Engine - 2.8L 4 Cyl Turbo Diesel	DEH = Transmission-6-Speed Manual, NSG370
			ENO = 4CYL turbo diesel	DG0 = Transmissions - All Automatic
				DBB = ALL MANUAL TRANSMISSIONS

AR = use ase required - = Non illustrated part



Front Seat, Leather, Low Back, Trim Code [DL]

Figure IKJ-510



ITEM	PART NUMBER	QTY	LINE	SERIES	BODY	ENGINE	TRANS	TRIM	DESCRIPTION
	1BB551D1AA	1	J, T					*DL	[J1], Non-Heated, Left
		1	J, U					*DL	[J1], Non-Heated, Left
		1	J, T					*DL	[DB], Non-Heated, Left
	1BB571DBAA	1	J, U					*DL	[DB], Heated, Left
		1	J, U					*DL	[DB], Heated, Right
	1BB571D1AA	1	J, T					*DL	[J1], Heated, Left
		1	J, U					*DL	[J1], Heated, Left
		1	J, T					*DL	[DB], Heated, Left
6									COVER, Front Seat Back
	1BB521D1AA	1	J, U					*DL	[J1], Right
	1BB531D1AA	1	J, T					*DL	[J1], Left
		1	J, U					*DL	[J1], Left
		1	J, T					*DL	[J1], Right
	1BB521DBAA	1	J, U					*DL	[DB], Right
		1	J, T					*DL	[DB], Right
	1BB531DBAA	1	J, U					*DL	[DB], Left
		1	J, T					*DL	[DB], Left
7									PAD, Heater, Back
	05142762AA	2	J, T					*DL	
		1	J, U					*DL	
8									FRAME, Front Seat Cushion
	05126323AA	1	J, U					*DL	Left
	05126322AA	1	J, U					*DL	Export Only, See Note, Right
		1	J, T					*DL	Left
9									COVER, Front Seat Cushion
	1BB501DBAA	1	J, U					*DL	[DB], Right
	1BB501D1AA	1	J, U					*DL	[J1], Right
		1	J, T					*DL	[J1], Right
		1	J, T					*DL	[DB], Right
	1BB511DBAA	1	J, U					*DL	[DB], Left
		1	J, T					*DL	[DB], Left

LIBERTY (KJ)

SERIES LINE  
 P = LIMITED J = JEEP - 4WD  
 H = SPORT U = JEEP - 4WD (RHD)  
 M = RENEGADE T = JEEP - 2WD

BODY  
 74 = SPORT UTILITY 4-DR

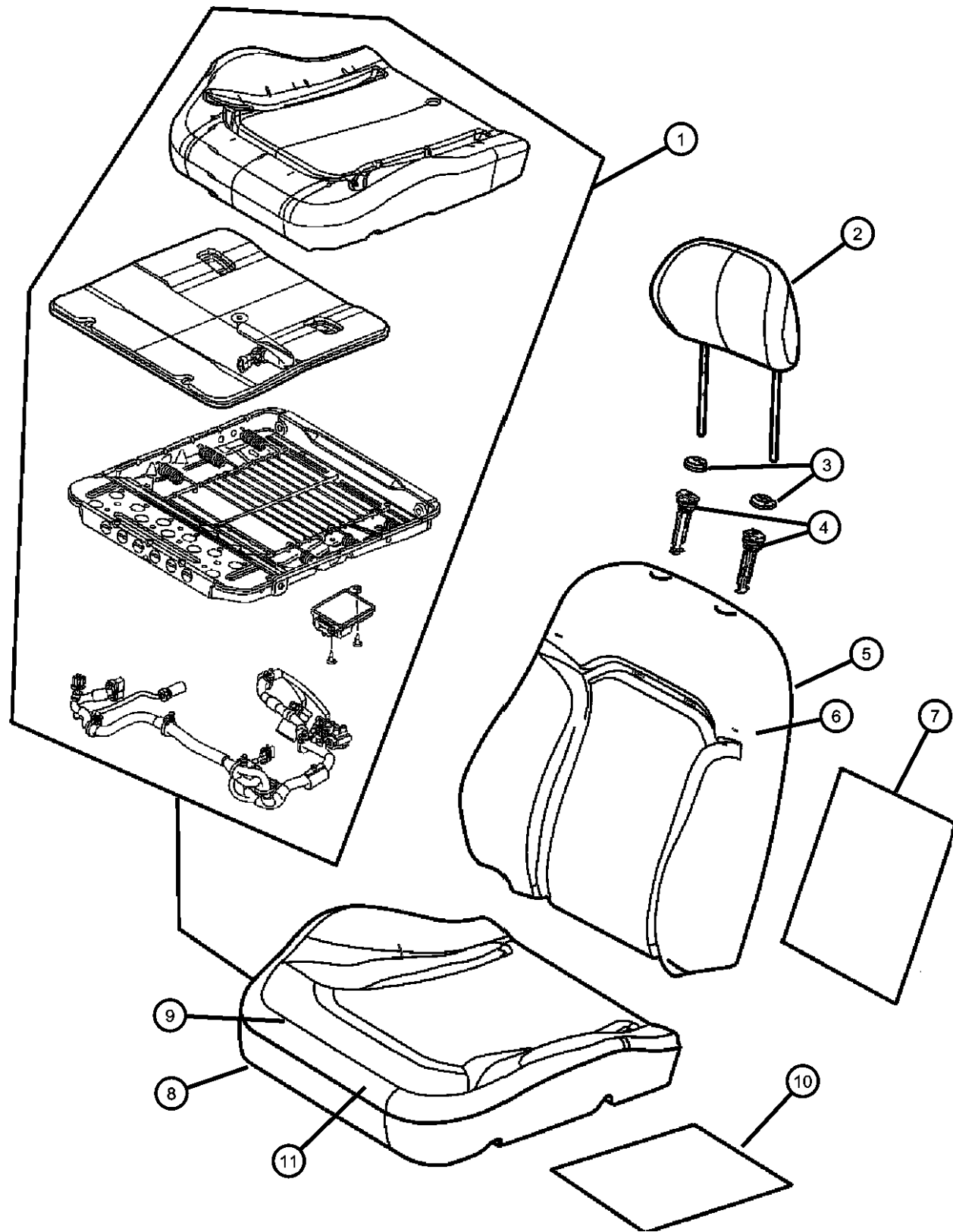
ENGINE  
 ED1 = Engine - 2.4L 4 Cyl  
 DOHC 16v SMPI  
 EKG = Engine - 3.7L V6  
 ENR = Engine - 2.8L 4 Cyl  
 Turbo Diesel  
 ENO = 4CYL turbo diesel

TRANSMISSION  
 DGQ = Transmission-5-Spd Automatic  
 5-45RFE  
 DG6 = Transmission-4-Spd.  
 Automatic, 42RLE  
 DEH = Transmission-6-Speed Manual,  
 NSG370  
 DG0 = Transmissions - All Automatic  
 DBB = ALL MANUAL  
 TRANSMISSIONS

AR = use ase required - = Non illustrated part

2005 KJ

Front Seat, Leather, Low Back, Trim Code [DL]  
Figure IKJ-510



ITEM	PART NUMBER	QTY	LINE	SERIES	BODY	ENGINE	TRANS	TRIM	DESCRIPTION
	1BB511D1AA	1	J, T					*DL	[J1], Left
		1	J, U					*DL	[J1], Left
10									PAD, Heater, Cushion
	05142763AA	2	J, T					*DL	
		2	J, U					*DL	
11									FOAM, Seat Cushion
	05191262AA	1	J, T					*DL	Right Side Export
		1	J, U					*DL	Right Side Export
	05142748AA	1	J, T					*DL	Left Side Domestic, See Note For Right Side Domestic
		1	J, U					*DL	Left Side Export
-12	05191973AA	2	J, U					*DL	WIRE KIT, Trimming

LIBERTY (KJ)

SERIES      LINE  
P = LIMITED      J = JEEP - 4WD  
H = SPORT      U = JEEP - 4WD (RHD)  
M = RENEGADE      T = JEEP - 2WD

BODY  
74 = SPORT UTILITY 4-DR

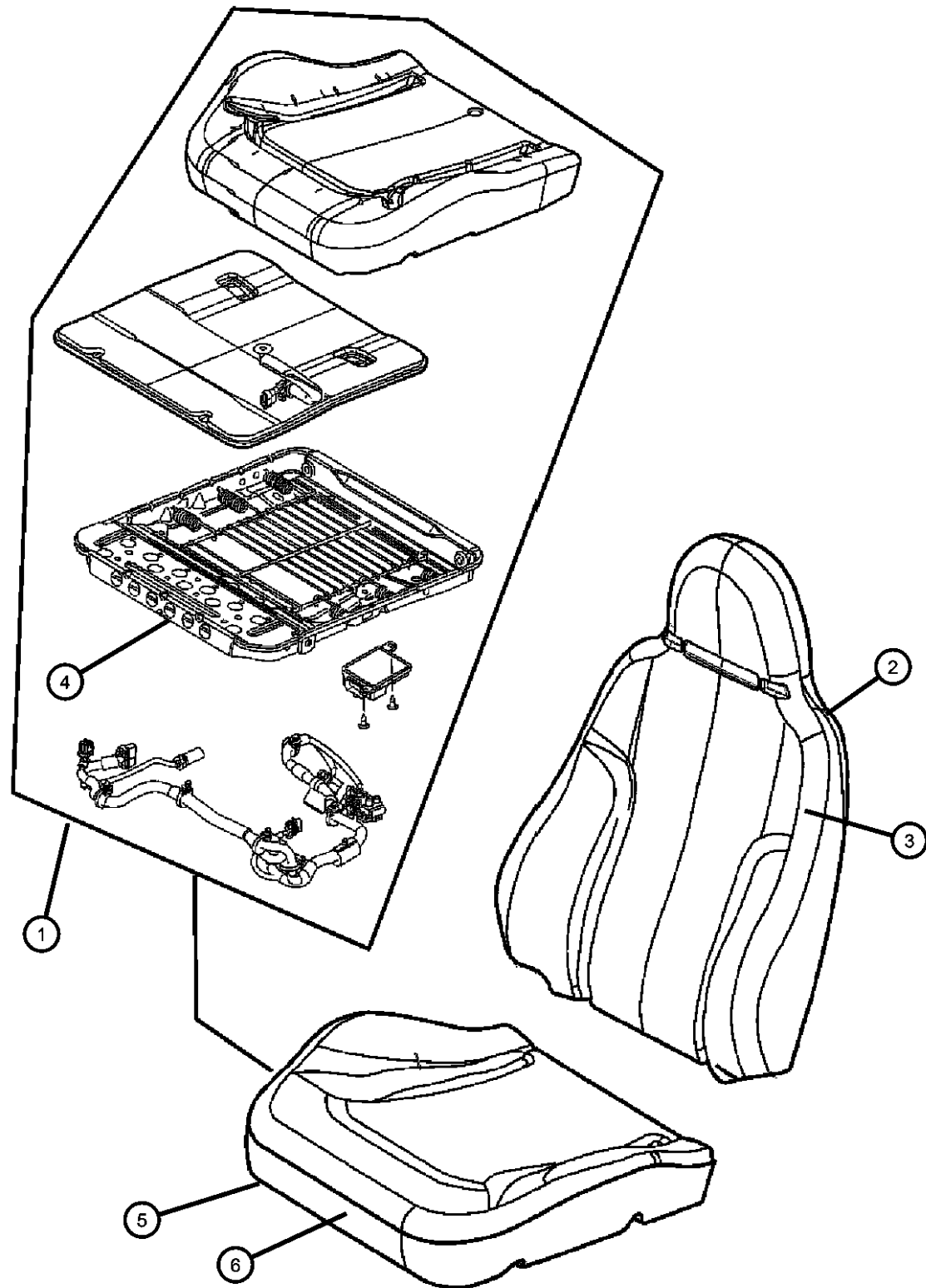
ENGINE  
ED1 = Engine - 2.4L 4 Cyl  
DOHC 16v SMPI  
EKG = Engine - 3.7L V6  
ENR = Engine - 2.8L 4 Cyl  
Turbo Diesel  
ENO = 4CYL turbo diesel

TRANSMISSION  
DGQ = Transmission-5-Spd Automatic  
5-45RFE  
DG6 = Transmission-4-Spd.  
Automatic, 42RLE  
DEH = Transmission-6-Speed Manual,  
NSG370  
DG0 = Transmissions - All Automatic  
DBB = ALL MANUAL  
TRANSMISSIONS

AR = use ase required - = Non illustrated part

2005 KJ

**Front Seat, Cloth, High Back, Trim Code [N5]  
Figure IKJ-520**



ITEM	PART NUMBER	QTY	LINE	SERIES	BODY	ENGINE	TRANS	TRIM	DESCRIPTION
Note: For United States/Canada vehicles only, if right side Cushion Foam is needed order Bladder Repair Kit. Do not attempt to replace the right side									
1	05142936AA	1	J, T					*N5	BLADDER REPAIR KIT, Occupant Classification System, See Note, Right Side Only
2									BACK, Front Seat
	1BC721D5AA	1	J, T					*N5	[D5], Right
	1BC721J3AA	1	J, T					*N5	[J3], Right
	1BC731D5AA	1	J, T					*N5	[D5], Left
	1BC731J3AA	1	J, T					*N5	[J3], Left
3									COVER, Front Seat Back
	1BC701J3AA	2	J, T					*N5	[J3], Right & Left
	1BC701D5AA	2	J, T					*N5	[D5], Right & Left
4									FRAME, Front Seat Cushion
	05126322AA	1	J, T					*N5	Export Only. See Note, Right
	05126323AA	1	J, T					*N5	, Left
5									COVER, Front Seat Cushion
	1BC711J3AA	2	J, T					*N5	[J3], Right & Left
	1BC711D5AA	2	J, T					*N5	[D5], Right & Left
6	05142748AA	1	J, T					*N5	FOAM, Seat Cushion, Left Side Domestic, See Note For Right Side Domestic
-7									WIRE KIT, Trimming
	05093978AA	1	J, T					*N5	Mexico Market
	05191973AA	2	J, T					*N5	

**LIBERTY (KJ)**

SERIES      LINE  
P = LIMITED      J = JEEP - 4WD  
H = SPORT      U = JEEP - 4WD (RHD)  
M = RENEGADE      T = JEEP - 2WD

BODY  
74 = SPORT UTILITY 4-DR

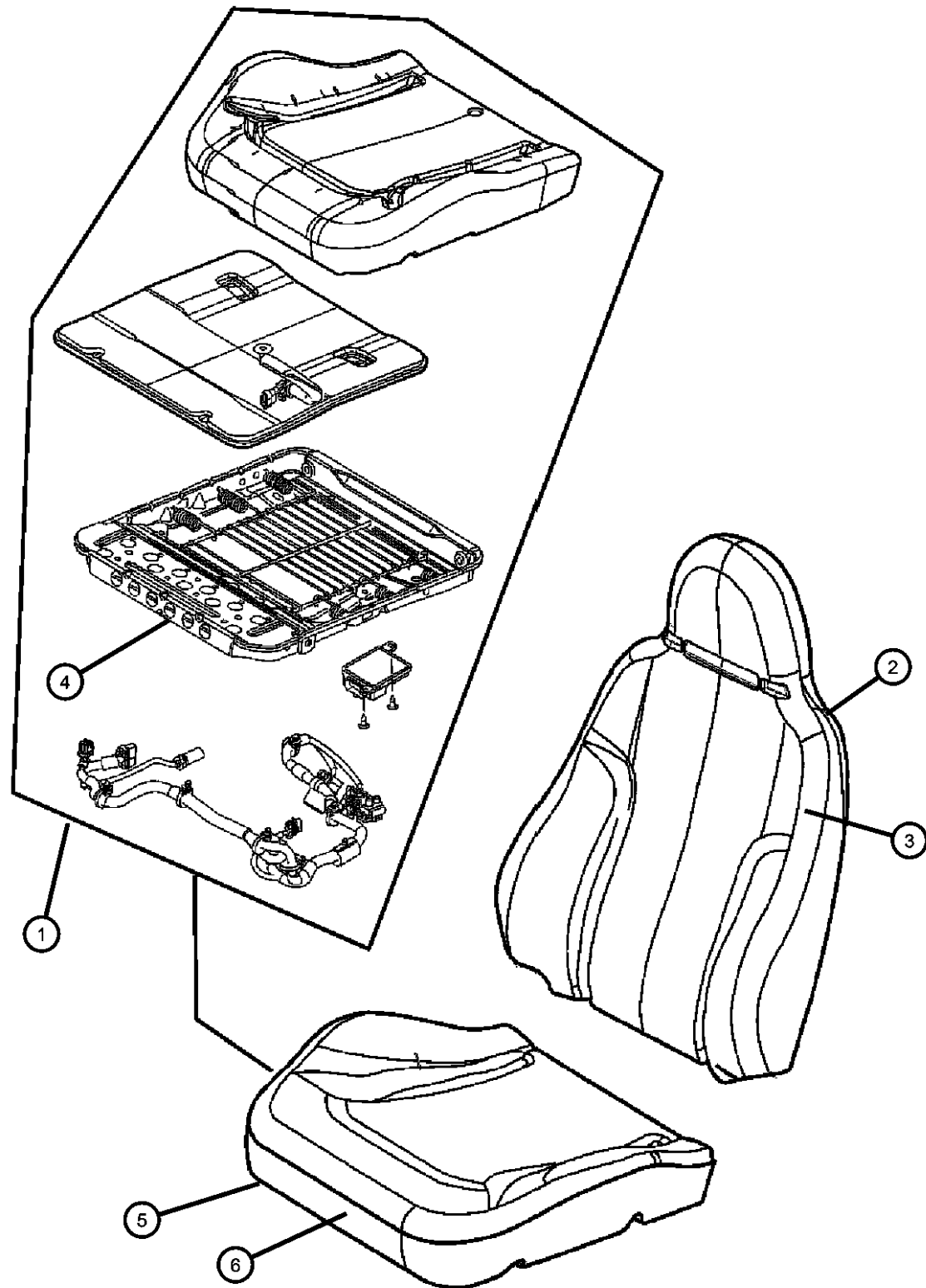
ENGINE  
ED1 = Engine - 2.4L 4 Cyl DOHC 16v SMPI  
EKG = Engine - 3.7L V6  
ENR = Engine - 2.8L 4 Cyl Turbo Diesel  
ENO = 4CYL turbo diesel

TRANSMISSION  
DGQ = Transmission-5-Spd Automatic 5-45RFE  
DG6 = Transmission-4-Spd. Automatic, 42RLE  
DEH = Transmission-6-Speed Manual, NSG370  
DG0 = Transmissions - All Automatic  
DBB = ALL MANUAL TRANSMISSIONS

AR = use ase required - = Non illustrated part

2005 KJ

**Front Seat, Cloth, High Back, Trim Code [B5]  
Figure IKJ-530**



ITEM	PART NUMBER	QTY	LINE	SERIES	BODY	ENGINE	TRANS	TRIM	DESCRIPTION
Note; For United States/Canada vehicles only, if right side Cushion Foam is needed order Bladder Repair Kit. Do not attempt to replace the right side									
1	05142936AA	1						*B5	BLADDER REPAIR KIT, Occupant Classification System, See Note, Right Side Only
2									BACK, Front Seat
	1BD061J3AA	1						*B5	[J3], Right
	1BD061D5AA	1						*B5	[D5], Right
	1BD071D5AA	1						*B5	[D5], Left
	1BD071J3AA	1						*B5	[J3], Left
3									COVER, Front Seat Back
	1BD041D5AA	1						*B5	[D5], Right
	1BD051J3AA	1						*B5	[J3], Left
	1BD041J3AA	1						*B5	[J3], Right
	1BD051D5AA	1						*B5	[D5], Left
4									FRAME, Front Seat Cushion
	05126322AA	1						*B5	Export Only. See Note, Right
	05126323AA	1						*B5	, Left
5									COVER, Front Seat Cushion
	1BC911J3AA	2						*B5	[J3], Right & Left
	1BC911D5AA	2						*B5	[D5], Right & Left
6	05142748AA	1						*B5	FOAM, Seat Cushion, Left Side Domestic, See Note For Right Side Domestic
-7									WIRE KIT, Trimming
	05191973AA	2						*B5	
	05093977AA	1						*B5	Mexico Market

**LIBERTY (KJ)**

SERIES      LINE  
P = LIMITED      J = JEEP - 4WD  
H = SPORT      U = JEEP - 4WD (RHD)  
M = RENEGADE      T = JEEP - 2WD

BODY  
74 = SPORT UTILITY 4-DR

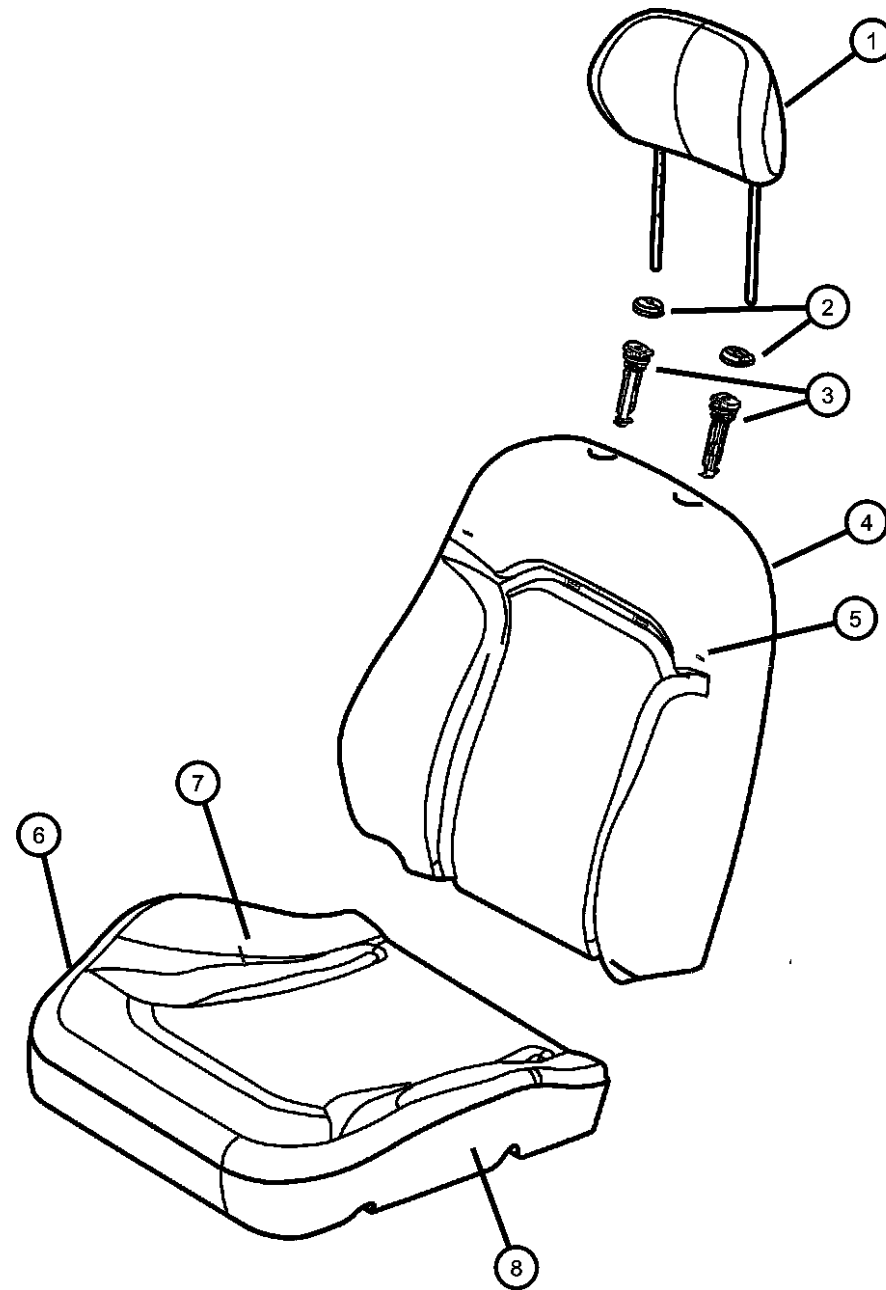
ENGINE  
ED1 = Engine - 2.4L 4 Cyl DOHC 16v SMPI  
EKG = Engine - 3.7L V6  
ENR = Engine - 2.8L 4 Cyl Turbo Diesel  
ENO = 4CYL turbo diesel

TRANSMISSION  
DGQ = Transmission-5-Spd Automatic 5-45RFE  
DG6 = Transmission-4-Spd. Automatic, 42RLE  
DEH = Transmission-6-Speed Manual, NSG370  
DG0 = Transmissions - All Automatic  
DBB = ALL MANUAL TRANSMISSIONS

AR = use ase required - = Non illustrated part

2005 KJ

Front Seat, Cloth, Low Back, Trim Code [B7]  
Figure IKJ-540



ITEM	PART NUMBER	QTY	LINE	SERIES	BODY	ENGINE	TRANS	TRIM	DESCRIPTION
1	1BC671D5AA	1	J, U					*B7	HEADREST, Front [D5]
	1BC671J3AA	2	J, U					*B7	[J3]
2	0WA491D5AA	1	J, U					*B7	CAP, Headrest Adjuster [D5], With Button
	0WA491J3AA	1	J, U					*B7	[J3], With Button
	0WA501D5AA	1	J, U					*B7	[D5], Without Button
	0WA501J3AA	1	J, U					*B7	[J3], Without Button
3	05066563AA	2	U, J					*B7	SLEEVE, Headrest
4	1BC641D5AA	1	J, U					*B7	BACK, Front Seat [D5], Right
	1BC641J3AA	1	J, U					*B7	[J3], Right
	1BC651D5AA	1	J, U					*B7	[D5], Left
	1BC651J3AA	1	J, U					*B7	[J3], Left
5	1BC661D5AA	2	J, U					*B7	COVER, Front Seat Back Right & Left
	1BC661J3AA	2	J, U					*B7	[J3], Right & Left
6	05126322AA	1	J, U					*B7	FRAME, Front Seat Cushion Export Only, Right
	05126323AA	1	J, U					*B7	, Left
7	1BC711D5AA	2	J, U					*B7	COVER, Front Seat Cushion [D5], Right & Left
	1BC711J3AA	2	J, U					*B7	[J3], Right & Left
8	05142748AA	1	J, U					*B7	FOAM, Seat Cushion, Left Side Domestic, See Note For Right Side Domestic
-9	05191973AA	2	J, U					*B7	WIRE KIT, Trimming

LIBERTY (KJ)

SERIES LINE  
P = LIMITED J = JEEP - 4WD  
H = SPORT U = JEEP - 4WD (RHD)  
M = RENEGADE T = JEEP - 2WD

BODY  
74 = SPORT UTILITY 4-DR

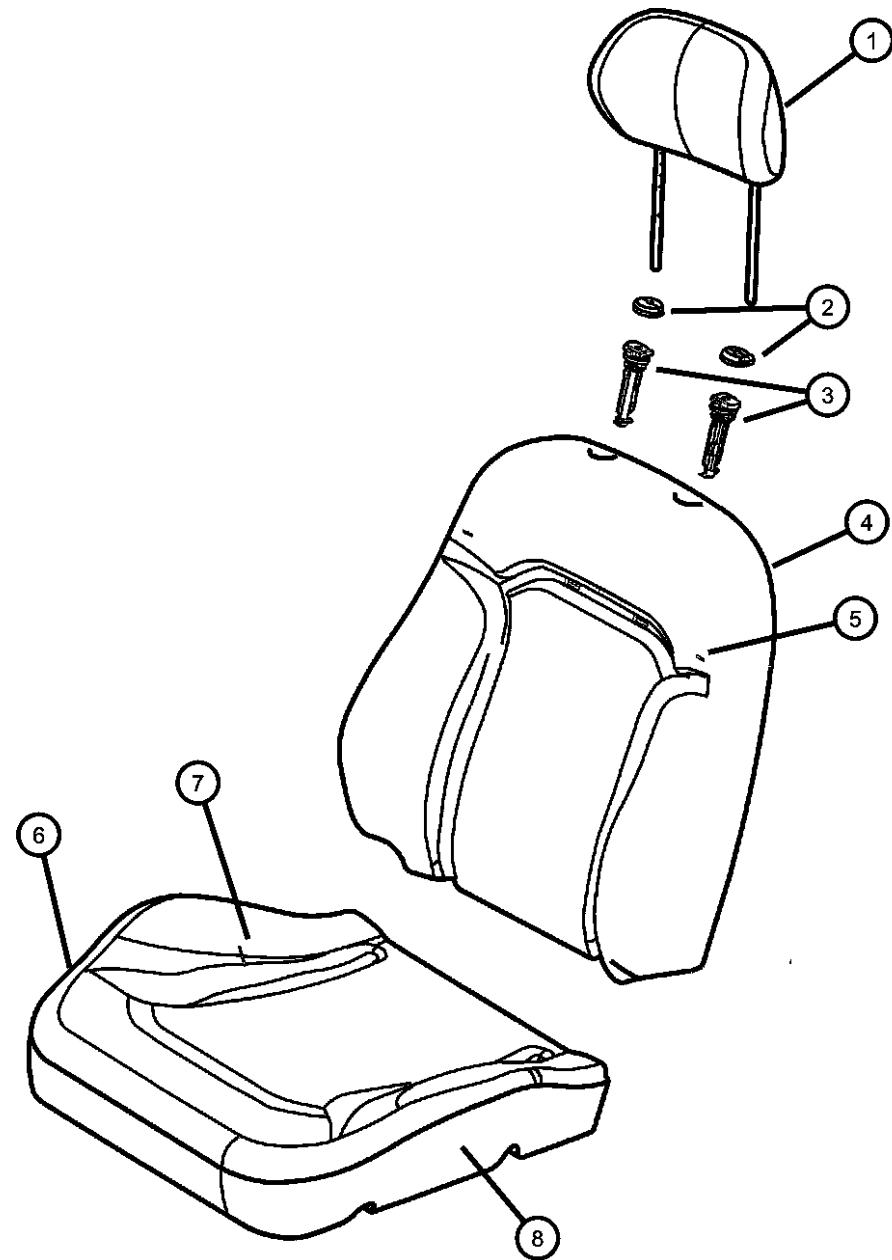
ENGINE  
ED1 = Engine - 2.4L 4 Cyl DOHC 16v SMPI  
EKG = Engine - 3.7L V6  
ENR = Engine - 2.8L 4 Cyl Turbo Diesel  
ENO = 4CYL turbo diesel

TRANSMISSION  
DGQ = Transmission-5-Spd Automatic 5-45RFE  
DG6 = Transmission-4-Spd. Automatic, 42RLE  
DEH = Transmission-6-Speed Manual, NSG370  
DG0 = Transmissions - All Automatic  
DBB = ALL MANUAL TRANSMISSIONS

AR = use ase required - = Non illustrated part

2005 KJ

**Front Seat, Cloth, Low Back, Trim Code [J7]  
Figure IKJ-560**



ITEM	PART NUMBER	QTY	LINE	SERIES	BODY	ENGINE	TRANS	TRIM	DESCRIPTION
1	1BD011D5AA	2						*J7	HEADREST, Front [D5]
	1BD011J3AA	2						*J7	[J3]
2	0WA491D5AA	1						*J7	CAP, Headrest Adjuster [D5], With Button
	0WA491J3AA	1						*J7	[J3], With Button
	0WA501D5AA	1						*J7	[D5], Without Button
	0WA501J3AA	1						*J7	[J3], Without Button
3	05066563AA	1						*J7	SLEEVE, Headrest
4	1BD101J3AA	1						*J7	BACK, Front Seat [J3], Right
	1BD101D5AA	1						*J7	[D5], Right
	1BD111D5AA	1						*J7	[D5], Left
	1BD111J3AA	1						*J7	[J3], Left
5	1BD081D5AA	1						*J7	COVER, Front Seat Back [D5], Right
	1BD081J3AA	1						*J7	[J3], Right
	1BD091D5AA	1						*J7	[D5], Left
	1BD091J3AA	1						*J7	[J3], Left
6	05126322AA	1						*J7	FRAME, Front Seat Cushion Export Only, Right
	05126323AA	1						*J7	, Left
7	1BC911D5AA	2						*J7	COVER, Front Seat Cushion [D5], Right & Left
	1BC911J3AA	2						*J7	[J3], Right & Left
8	05142748AA	1			J, U			*J7	FOAM, Seat Cushion Left Side Export
		1			J			*J7	Left Side Domestic, See Note For Right Side Domestic
	05191262AA	1			J, U			*J7	Right Side Export
-9	05191973AA	2						*J7	WIRE KIT, Trimming

**LIBERTY (KJ)**

SERIES      LINE  
P = LIMITED      J = JEEP - 4WD  
H = SPORT      U = JEEP - 4WD (RHD)  
M = RENEGADE      T = JEEP - 2WD

BODY  
74 = SPORT UTILITY 4-DR

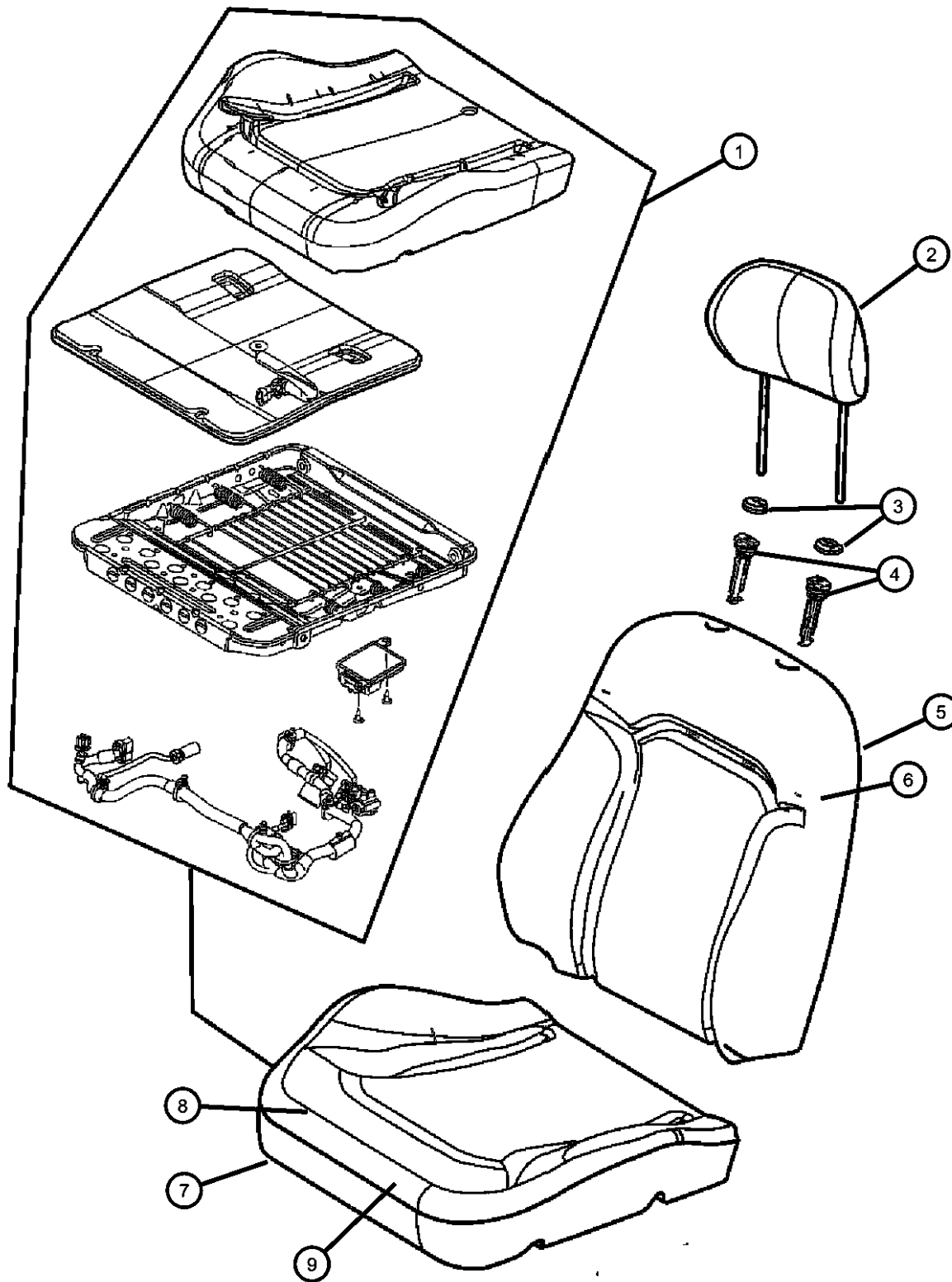
ENGINE  
ED1 = Engine - 2.4L 4 Cyl DOHC 16v SMPI  
EKG = Engine - 3.7L V6  
ENR = Engine - 2.8L 4 Cyl Turbo Diesel  
ENO = 4CYL turbo diesel

TRANSMISSION  
DGQ = Transmission-5-Spd Automatic 5-45RFE  
DG6 = Transmission-4-Spd. Automatic, 42RLE  
DEH = Transmission-6-Speed Manual, NSG370  
DG0 = Transmissions - All Automatic  
DBB = ALL MANUAL TRANSMISSIONS

AR = use ase required - = Non illustrated part

2005 KJ

**Front Seat, Cloth, Low Back, Trim Code [L7]  
Figure IKJ-570**



ITEM	PART NUMBER	QTY	LINE	SERIES	BODY	ENGINE	TRANS	TRIM	DESCRIPTION
------	-------------	-----	------	--------	------	--------	-------	------	-------------

Note: For United States/Canada vehicles only, if right side Cushion Foam is needed order Bladder Repair Kit. Do not attempt to replace the right side

1	05142936AA	1	J, T					*L7	BLADDER REPAIR KIT, Occupant Classification System, See Note, Right Side Only
2	1BC841D5AA	2	J, U					*L7	[D5]
			J, T					*L7	[D5]
			J, U					*L7	[J3]
			J, T					*L7	[J3]
3	0WA491D5AA	1	J, U					*L7	CAP, Headrest Adjuster [D5], With Button
			J, T					*L7	[D5], With Button
			J, U					*L7	[D5], Without Button
			J, T					*L7	[D5], Without Button
4	05066563AA	1	J, T					*L7	SLEEVE, Headrest
			J, U					*L7	
5	1BC881J3AA	1	J, T					*L7	BACK, Front Seat [J3], Right
			J, U					*L7	[D5], Left
			J, T					*L7	[D5], Left
			J, U					*L7	[D5], Right
			J, T					*L7	[D5], Right
			J, U					*L7	[J3], Right
			J, U					*L7	[J3], Left
			J, T					*L7	[J3], Left
6	1BC861J3AA	1	J, U					*L7	COVER, Front Seat Back [J3], Right
			J, T					*L7	[J3], Right
			J, U					*L7	[D5], Left
			J, U					*L7	[D5], Right
		1	J, T					*L7	[D5], Right
			J, T					*L7	[D5], Right
			J, T					*L7	[D5], Left
			J, T					*L7	[D5], Left

**LIBERTY (KJ)**

SERIES      LINE  
P = LIMITED      J = JEEP - 4WD  
H = SPORT      U = JEEP - 4WD (RHD)  
M = RENEGADE      T = JEEP - 2WD

BODY  
74 = SPORT UTILITY 4-DR

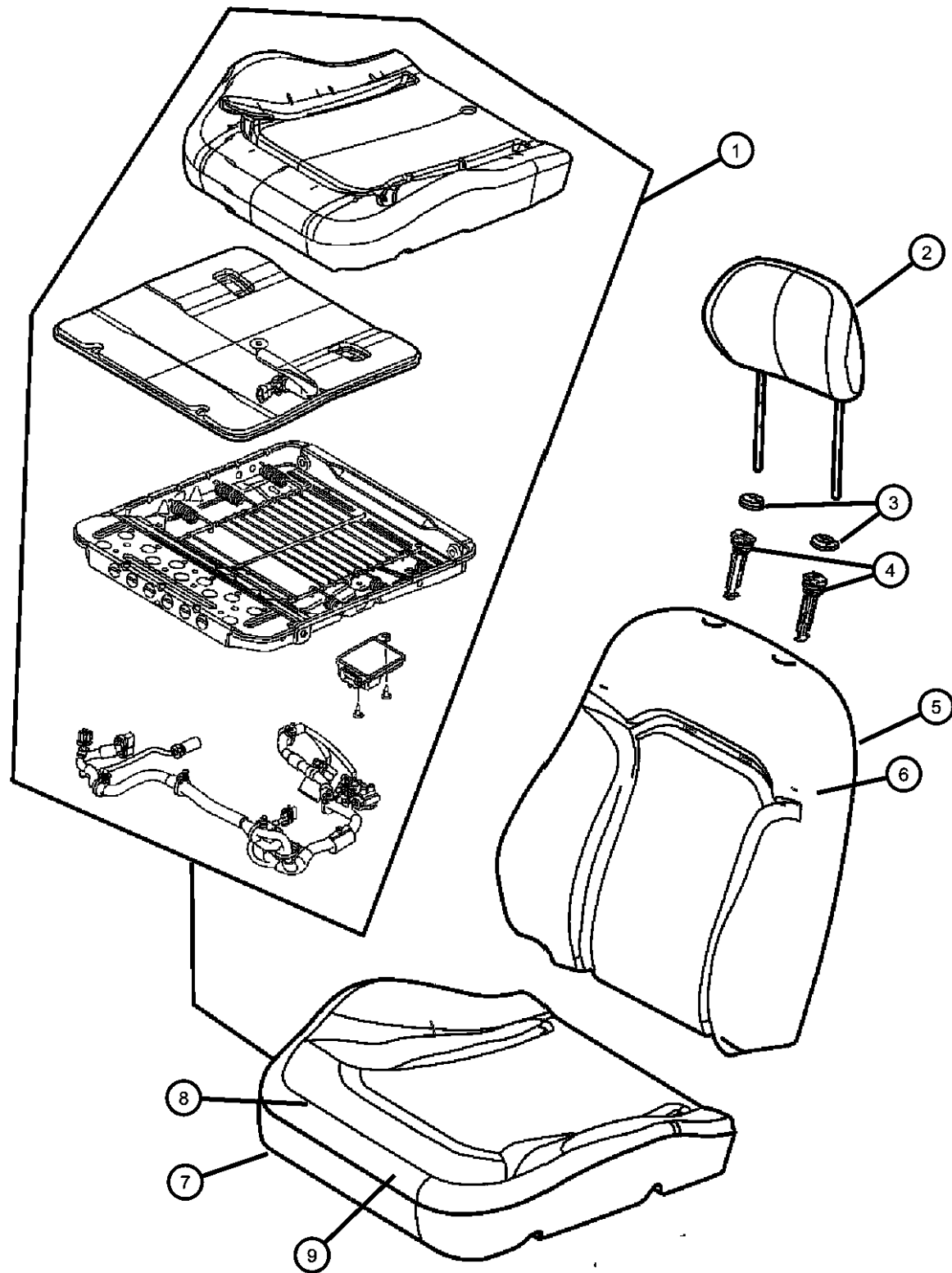
ENGINE  
ED1 = Engine - 2.4L 4 Cyl DOHC 16v SMPI  
EKG = Engine - 3.7L V6  
ENR = Engine - 2.8L 4 Cyl Turbo Diesel  
ENO = 4CYL turbo diesel

TRANSMISSION  
DGQ = Transmission-5-Spd Automatic 5-45RFE  
DG6 = Transmission-4-Spd. Automatic, 42RLE  
DEH = Transmission-6-Speed Manual, NSG370  
DG0 = Transmissions - All Automatic  
DBB = ALL MANUAL TRANSMISSIONS

AR = use ase required - = Non illustrated part

2005 KJ

Front Seat, Cloth, Low Back, Trim Code [L7]  
Figure IKJ-570



ITEM	PART NUMBER	QTY	LINE	SERIES	BODY	ENGINE	TRANS	TRIM	DESCRIPTION
	1BC871J3AA	1	J, U					*L7	[J3], Left
		1	J, T					*L7	[J3], Left
7	05126322AA	1	J, U					*L7	FRAME, Front Seat Cushion
	05126323AA	1	J, T					*L7	Export Only. See Note, Right
		1	J, U					*L7	, Left
8		1	J, U					*L7	Left
									COVER, Front Seat Cushion
	1BC901D5AA	2	J, U					*L7	[D5], Right & Left
		2	J, T					*L7	[D5], Right & Left
	1BC901J3AA	2	J, U					*L7	[J3], Right & Left
		2	J, T					*L7	[J3], Right & Left
9									FOAM, Seat Cushion
	05142748AA	1	J, T					*L7	Left Side Export
		1	J, U					*L7	Left Side Domestic, See Note For Right Side Domestic
	05191262AA	1	J, U					*L7	Right Side Export
-10									WIRE KIT, Trimming
	05191973AA	2	J, T					*L7	
		2	J, U					*L7	

LIBERTY (KJ)

SERIES      LINE  
P = LIMITED      J = JEEP - 4WD  
H = SPORT      U = JEEP - 4WD (RHD)  
M = RENEGADE      T = JEEP - 2WD

BODY  
74 = SPORT UTILITY 4-DR

ENGINE  
ED1 = Engine - 2.4L 4 Cyl DOHC 16v SMPI  
EKG = Engine - 3.7L V6  
ENR = Engine - 2.8L 4 Cyl Turbo Diesel  
ENO = 4CYL turbo diesel

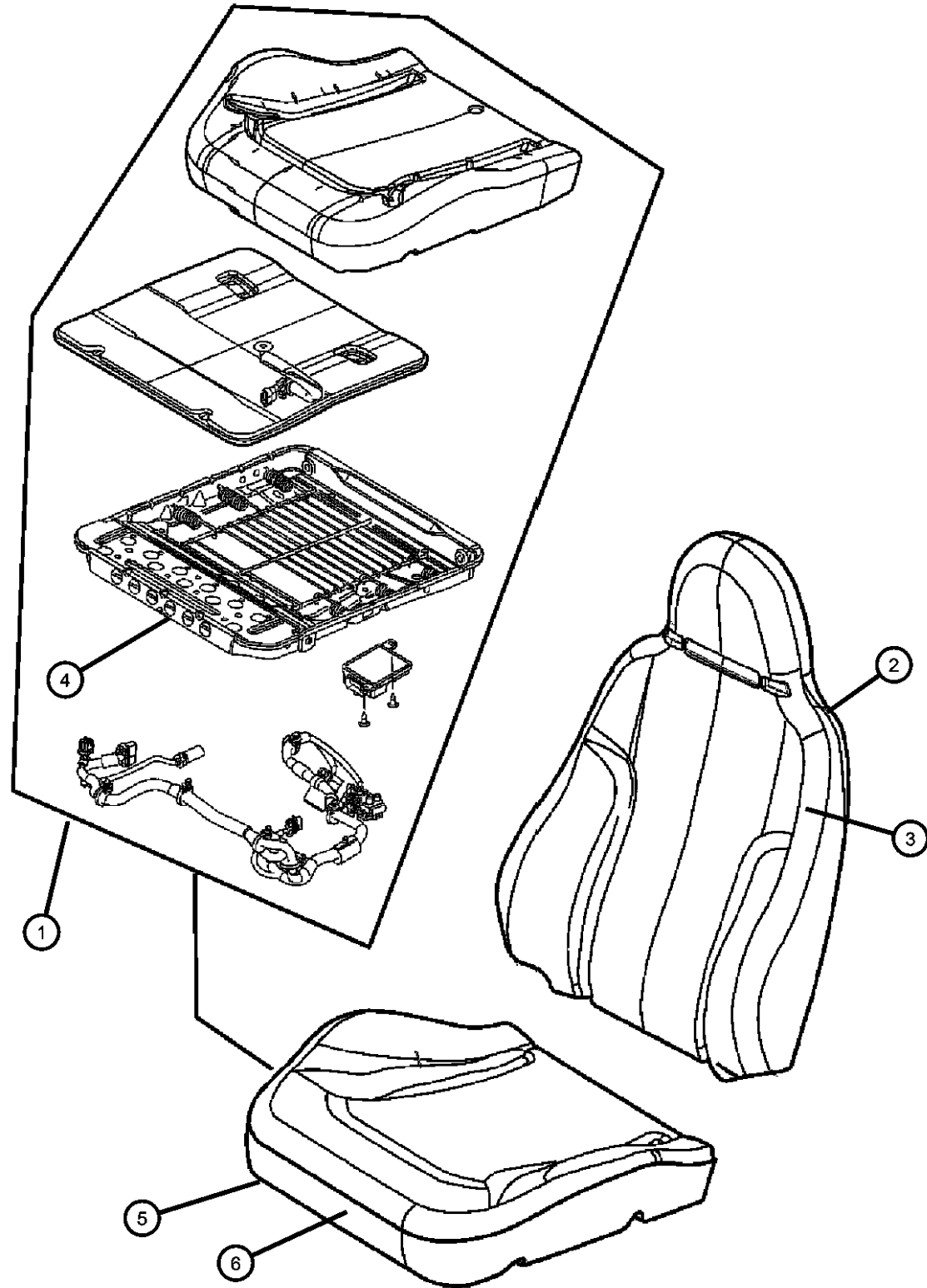
TRANSMISSION  
DGQ = Transmission-5-Spd Automatic 5-45RFE  
DG6 = Transmission-4-Spd. Automatic, 42RLE  
DEH = Transmission-6-Speed Manual, NSG370  
DG0 = Transmissions - All Automatic  
DBB = ALL MANUAL TRANSMISSIONS

AR = use ase required - = Non illustrated part

2005 KJ



**Front Seat, Cloth, High Back, Trim Code [A5]  
Figure IKJ-580**



ITEM	PART NUMBER	QTY	LINE	SERIES	BODY	ENGINE	TRANS	TRIM	DESCRIPTION
Note: For United States/Canada vehicles only, if right side Cushion Foam is needed order Bladder Repair Kit. Do not attempt to replace the right side									
1	05142936AA	1	J, T					*N5	BLADDER REPAIR KIT, Occupant Classification System, See Note, Right Side Only
2									BACK, Front Seat
	1ED051D5AA	1						*A5	[D5], Left
	1ED051J3AA	1						*A5	[J3], Left
	1ED041D5AA	1						*A5	[D5], Right
	1ED041J3AA	1						*A5	[J3], Right
3									COVER, Front Seat Back
	1ED031D5AA	1						*A5	[D5]
	1ED031J3AA	1						*A5	[J3]
4									FRAME, Front Seat Cushion
	05126322AA	1	J, T					*N5	Export Only. See Note, Right
	05126323AA	1	J, T					*N5	, Left
5									COVER, Front Seat Cushion
	1BC711J3AA	1						*A5	[J3]
	1BC711D5AA	1						*A5	[D5]
6	05142748AA	1						*A5	FOAM, Seat Cushion, Left Side Domestic, See Note For Right Side Domestic
-7									WIRE KIT, Trimming
	05093978AA	1						*A5	Mexico Market
	05191973AA	2	J, T, U		74			*A5	

**LIBERTY (KJ)**

SERIES      LINE  
P = LIMITED      J = JEEP - 4WD  
H = SPORT      U = JEEP - 4WD (RHD)  
M = RENEGADE      T = JEEP - 2WD

BODY  
74 = SPORT UTILITY 4-DR

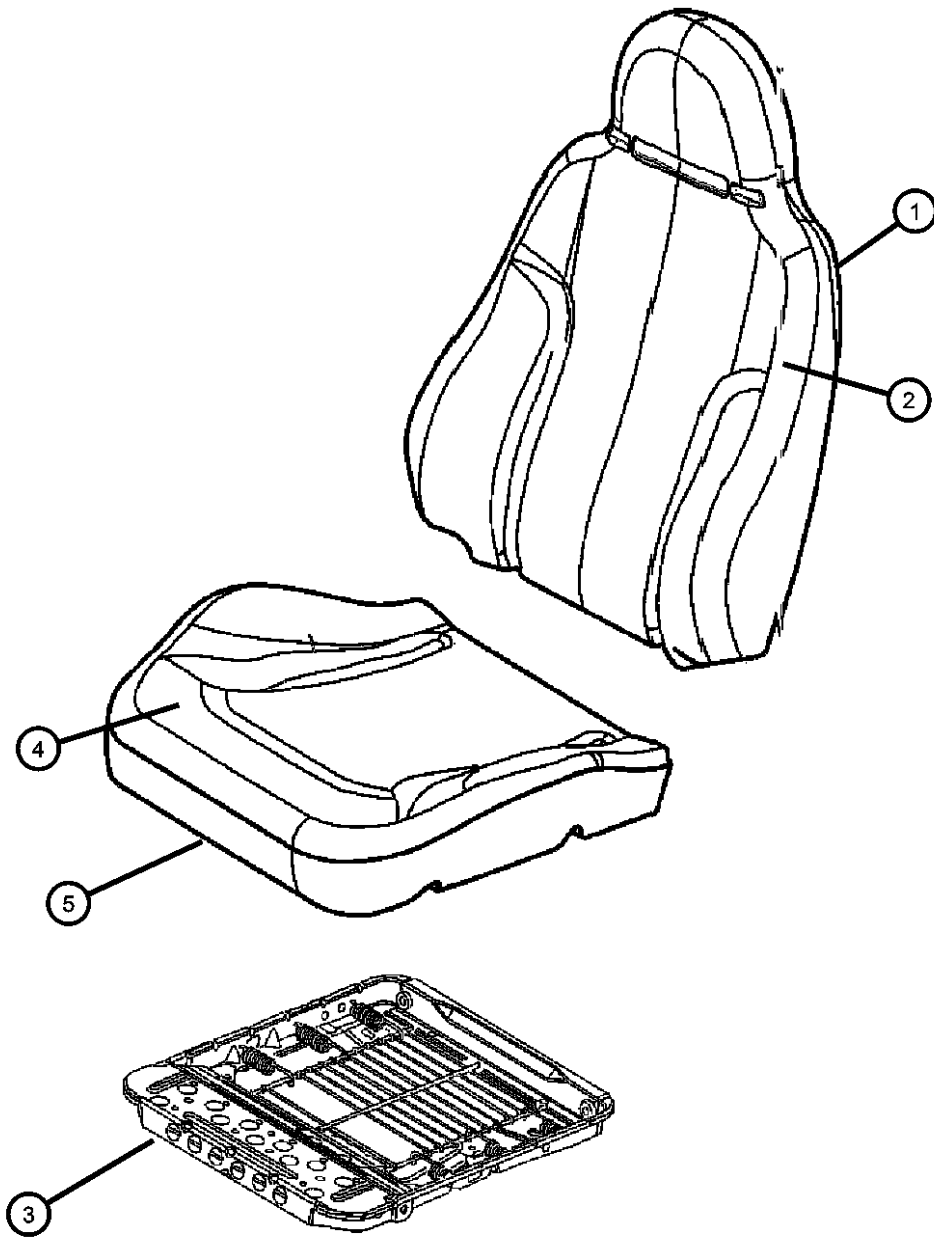
ENGINE  
ED1 = Engine - 2.4L 4 Cyl DOHC 16v SMPI  
EKG = Engine - 3.7L V6  
ENR = Engine - 2.8L 4 Cyl Turbo Diesel  
ENO = 4CYL turbo diesel

TRANSMISSION  
DGQ = Transmission-5-Spd Automatic 5-45RFE  
DG6 = Transmission-4-Spd. Automatic, 42RLE  
DEH = Transmission-6-Speed Manual, NSG370  
DG0 = Transmissions - All Automatic  
DBB = ALL MANUAL TRANSMISSIONS

AR = use ase required - = Non illustrated part

2005 KJ

**Front Seat, Cloth, High Back, Trim Code [M7]  
Figure IKJ-590**



ITEM	PART NUMBER	QTY	LINE	SERIES	BODY	ENGINE	TRANS	TRIM	DESCRIPTION
1	1ED081D5AA	1						*M7	BACK, Front Seat [D5], Right
	1ED081J3AA	1						*M7	[J3], Right
	1ED091D5AA	1						*M7	[D5], Left
	1ED091J3AA	1						*M7	[J3], Left
2	1ED061D5AA	1						*M7	COVER, Front Seat Back [D5]
	1ED061J3AA	1						*M7	[J3]
3	05126322AA	1						*M7	FRAME, Front Seat Cushion Expt Only. See Note, Right
	05126323AA	1						*M7	, Left
4	1BC711D5AA	1						*M7	COVER, Front Seat Cushion [D5]
	1BC711J3AA	1						*M7	[J3]
5	05142748AA	1						*M7	FOAM, Seat Cushion Left Side Export
		1	J, T, U		74			*M7	Left Side Domestic, See Note For Right Side Domestic
	05191262AA	1						*M7	Right Side Export

**LIBERTY (KJ)**

SERIES      LINE  
P = LIMITED      J = JEEP - 4WD  
H = SPORT      U = JEEP - 4WD (RHD)  
M = RENEGADE      T = JEEP - 2WD

BODY  
74 = SPORT UTILITY 4-DR

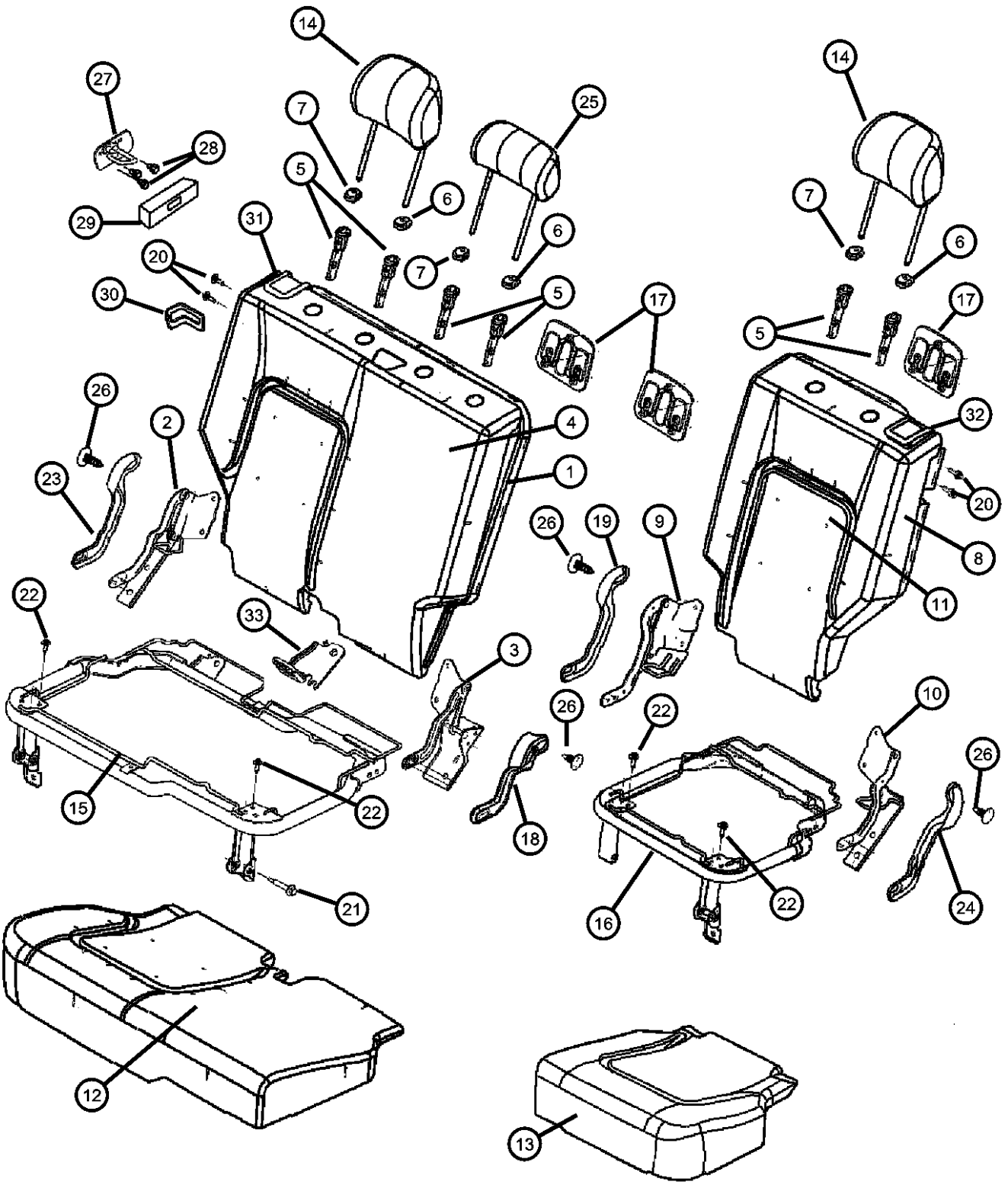
ENGINE  
ED1 = Engine - 2.4L 4 Cyl DOHC 16v SMPI  
EKG = Engine - 3.7L V6  
ENR = Engine - 2.8L 4 Cyl Turbo Diesel  
ENO = 4CYL turbo diesel

TRANSMISSION  
DGQ = Transmission-5-Spd Automatic 5-45RFE  
DG6 = Transmission-4-Spd. Automatic, 42RLE  
DEH = Transmission-6-Speed Manual, NSG370  
DG0 = Transmissions - All Automatic  
DBB = ALL MANUAL TRANSMISSIONS

AR = use ase required - = Non illustrated part

2005 KJ

Rear Seat, Trim Code [DL]  
Figure IKJ-610

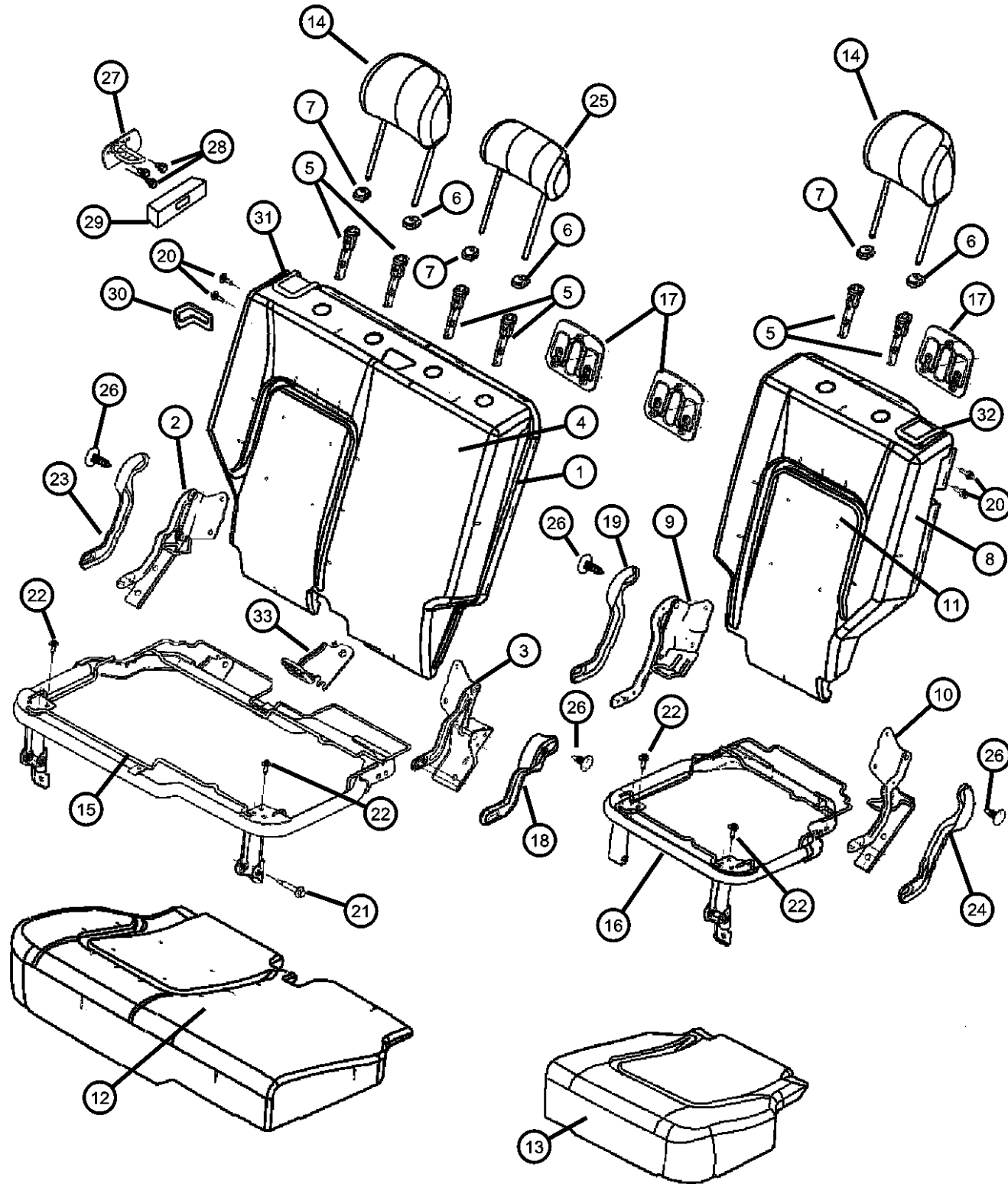


ITEM	PART NUMBER	QTY	LINE	SERIES	BODY	ENGINE	TRANS	TRIM	DESCRIPTION
1	1BB661D1AA	1	J, T					*DL [J1]	SEAT BACK, Rear, 65%
	1BB661DBAA	1	J, T					*DL [DB]	
	1BB681D1AA	1	J, U					*DL [J1]	
	1BB681DBAA	1	J, U					*DL [DB]	
2	05071702AA	1	J, T					*DL	BRACKET AND HINGE, Rear Seat Back, 65%
		1	J, U					*DL	Right, Outboard
3	05071703AA	1	J, T					*DL	BRACKET AND HINGE, Rear Seat Back, 65%
		1	J, U					*DL	Right, Inboard
4	1BB621D1AA	1	J, T					*DL [J1]	COVER, Rear Seat Back, 65%
	1BB621DBAA	1	J, T					*DL [DB]	
	1BB641D1AA	1	J, U					*DL [J1]	
	1BB641DBAA	1	J, U					*DL [DB]	
5	05066017AA	4	J, U					*DL	SLEEVE, Headrest
		2	J, T					*DL	
6	0WA461D1AA	1	J, T					*DL [J1]	CAP, Headrest Adjuster, With Button
		1	J, U					*DL [J1], Export	
	0WA461DBAA	1	J, T					*DL [DB]	
		1	J, U					*DL [DB], Export	
7	0WA311D1AA	1	J, T					*DL [J1]	CAP, Headrest Adjuster, Without Button
		1	J, U					*DL [J1], Export	
	0WA311DBAA	1	J, T					*DL [DB]	
		1	J, U					*DL [DB], Export	
8									SEAT BACK, Rear, 35%

**LIBERTY (KJ)**  
 SERIES LINE BODY ENGINE TRANSMISSION  
 P = LIMITED J = JEEP - 4WD 74 = SPORT UTILITY 4-DR ED1 = Engine - 2.4L 4 Cyl DOHC 16v SMPI DGQ = Transmission-5-Spd Automatic 5-45RFE  
 H = SPORT U = JEEP - 4WD (RHD) EKG = Engine - 3.7L V6 DG6 = Transmission-4-Spd. Automatic, 42RLE  
 M = RENEGADE T = JEEP - 2WD ENR = Engine - 2.8L 4 Cyl Turbo Diesel DEH = Transmission-6-Speed Manual, NSG370  
 ENO = 4CYL turbo diesel DG0 = Transmissions - All Automatic DBB = ALL MANUAL TRANSMISSIONS

AR = use ase required - = Non illustrated part

Rear Seat, Trim Code [DL]  
Figure IKJ-610



ITEM	PART NUMBER	QTY	LINE	SERIES	BODY	ENGINE	TRANS	TRIM	DESCRIPTION
	1BB671D1AA	1	J, T					*DL	[J1]
		1	J, U					*DL	[J1], Export
	1BB671DBAA	1	J, T					*DL	[DB]
		1	J, U					*DL	[DB], Export
9									BRACKET AND HINGE, Rear Seat Back, 35%
	05071704AA	1	J, U					*DL	Left, Inboard, Export
		1	J, T					*DL	Left, Inboard
10									BRACKET AND HINGE, Rear Seat Back, 35%
	05071705AA	1	J, U					*DL	Left, Outboard, Export
		1	J, T					*DL	Left, Outboard
11									COVER, Rear Seat Back, 35%
	1BB631D1AA	1	J, T					*DL	[J1]
		1	J, U					*DL	[J1], Export
	1BB631DBAA	1	J, T					*DL	[DB]
		1	J, U					*DL	[DB], Export
12									COVER AND PAD, Cushion, 65%
	1BB601D1AA	1	J, T					*DL	[J1]
		1	J, U					*DL	[J1], Export
	1BB601DBAA	1	J, T					*DL	[DB]
		1	J, U					*DL	[DB], Export
13									COVER AND PAD, Cushion, 35%
	1BB611D1AA	1	J, T					*DL	[J1]
		1	J, U					*DL	[J1], Export
	1BB611DBAA	1	J, T					*DL	[DB]
		1	J, U					*DL	[DB], Export
14									HEADREST, Rear
	1BB691D1AA	2	J, T					*DL	[J1]
		2	J, U					*DL	[J1], Export
	1BB691DBAA	2	J, T					*DL	[DB]
		2	J, U					*DL	[DB], Export
15									PANEL, Seat Cushion Base, 65%

LIBERTY (KJ)

SERIES LINE  
P = LIMITED J = JEEP - 4WD  
H = SPORT U = JEEP - 4WD (RHD)  
M = RENEGADE T = JEEP - 2WD

BODY  
74 = SPORT UTILITY 4-DR

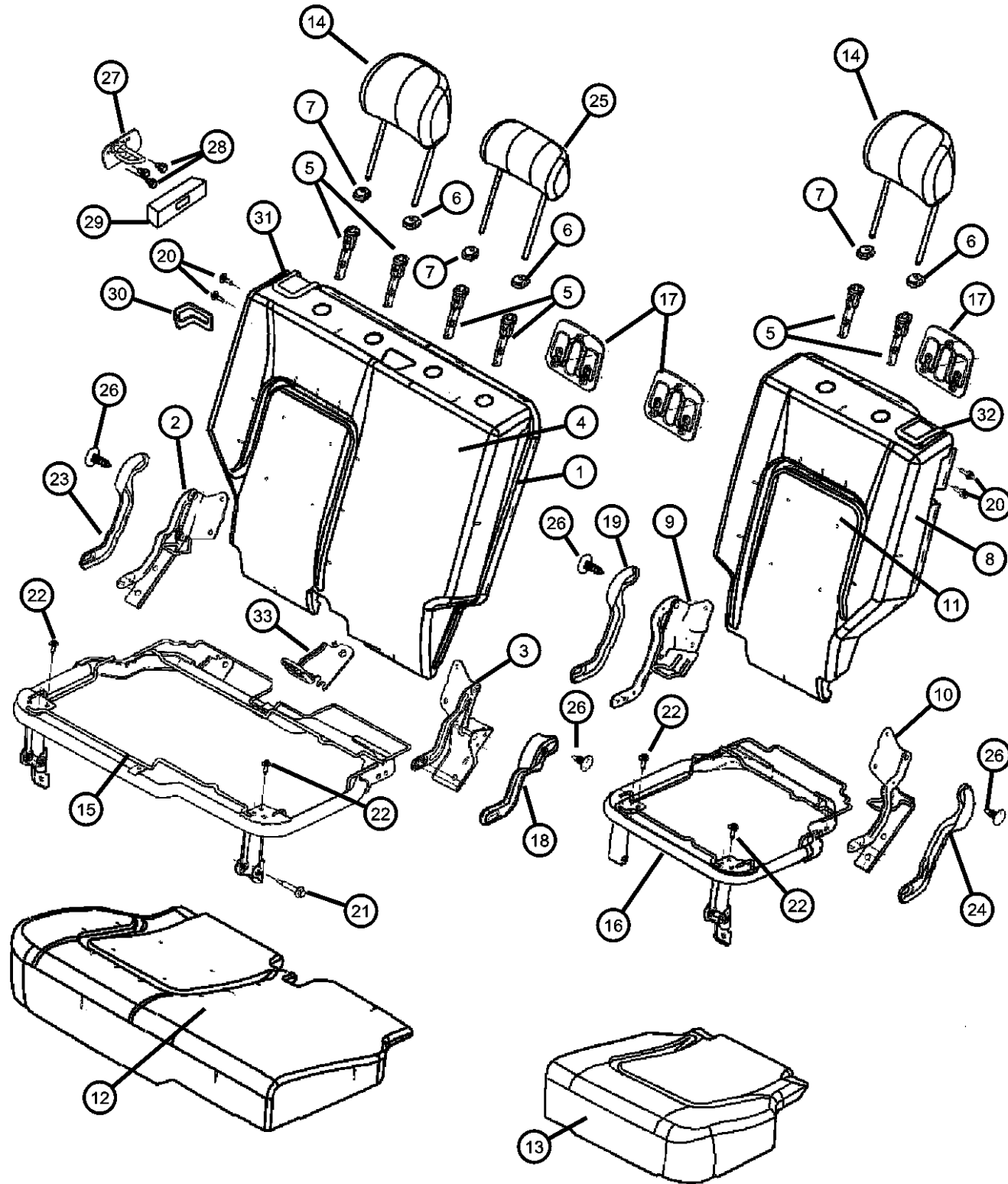
ENGINE  
ED1 = Engine - 2.4L 4 Cyl DOHC 16v SMPI  
EKG = Engine - 3.7L V6  
ENR = Engine - 2.8L 4 Cyl Turbo Diesel  
ENO = 4CYL turbo diesel

TRANSMISSION  
DGQ = Transmission-5-Spd Automatic 5-45RFE  
DG6 = Transmission-4-Spd. Automatic, 42RLE  
DEH = Transmission-6-Speed Manual, NSG370  
DG0 = Transmissions - All Automatic  
DBB = ALL MANUAL TRANSMISSIONS

AR = use ase required - = Non illustrated part

2005 KJ

Rear Seat, Trim Code [DL]  
Figure IKJ-610



ITEM	PART NUMBER	QTY	LINE	SERIES	BODY	ENGINE	TRANS	TRIM	DESCRIPTION
	05072112AA	1	J, U					*DL	Export
		1	J, T					*DL	
16	05072113AA	1	J, U					*DL	PANEL, Seat Cushion Base, 35% Export
		1	J, T					*DL	
17									BEZEL, TETHER
	0WB44XD-HAA	2	J, T					*DL	[DB]
		2	J, U					*DL	[DB], Export
	0WB44ZJ8AA	2	J, T					*DL	[J1]
		2	J, U					*DL	[J1], Export
18									COVER, Hinge
	0UZ451D1AA	1	J, T					*DL	[J1]
		1	J, U					*DL	[J1], Export
	0UZ451DBAA	1	J, T					*DL	[DB]
		1	J, U					*DL	[DB], Export
19									COVER, Hinge
	0UZ461D1AA	1	J, T					*DL	[J1]
		1	J, U					*DL	[J1], Export
	0UZ461DBAA	1	J, U					*DL	[DB], Export
		1	J, T					*DL	[DB]
20									BOLT, Pivot
	05072520AA	2	J, T					*DL	
		2	J, U					*DL	Export
21									BOLT, Seat
	05072519AA	1	J, U					*DL	Export
		1	J, T					*DL	
22									BOLT, Cushion To Adjuster
	04761014	8	J, T					*DL	
		8	J, U					*DL	
23									COVER, Hinge
	0UZ441D1AA	1	J, T					*DL	[J1]

LIBERTY (KJ)

SERIES LINE  
P = LIMITED J = JEEP - 4WD  
H = SPORT U = JEEP - 4WD (RHD)  
M = RENEGADE T = JEEP - 2WD

BODY  
74 = SPORT UTILITY 4-DR

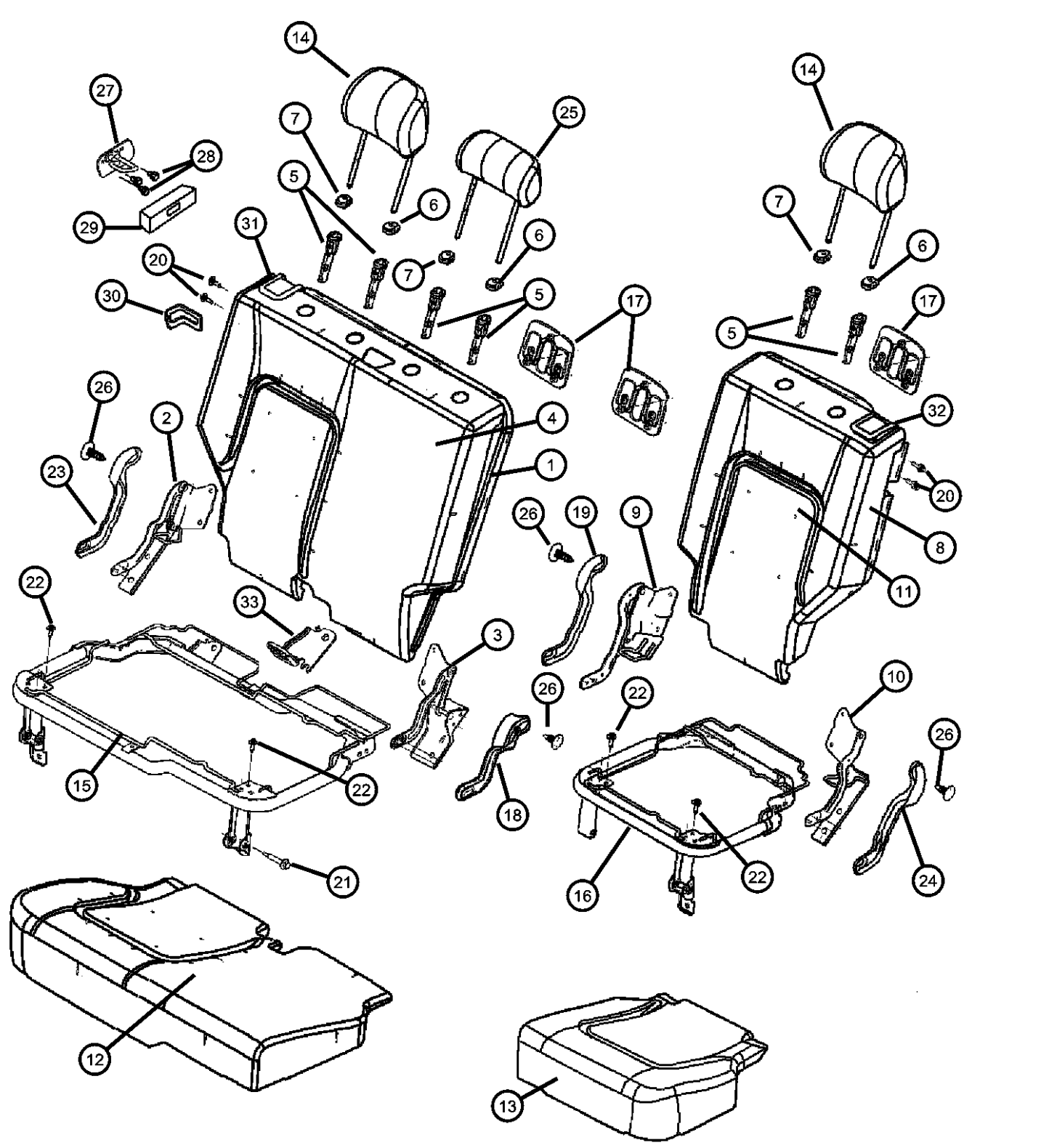
ENGINE  
ED1 = Engine - 2.4L 4 Cyl  
DOHC 16v SMPI  
EKG = Engine - 3.7L V6  
ENR = Engine - 2.8L 4 Cyl  
Turbo Diesel  
ENO = 4CYL turbo diesel

TRANSMISSION  
DGQ = Transmission-5-Spd Automatic  
5-45RFE  
DG6 = Transmission-4-Spd.  
Automatic, 42RLE  
DEH = Transmission-6-Speed Manual,  
NSG370  
DG0 = Transmissions - All Automatic  
DBB = ALL MANUAL  
TRANSMISSIONS

AR = use ase required - = Non illustrated part

2005 KJ

Rear Seat, Trim Code [DL]  
Figure IKJ-610



ITEM	PART NUMBER	QTY	LINE	SERIES	BODY	ENGINE	TRANS	TRIM	DESCRIPTION
									[J1], Export
	0UZ441DBAA	1	J, T					*DL	[DB]
		1	J, U					*DL	[DB], Export
24									COVER, Hinge
	0UZ471D1AA	1	J, T					*DL	[J1]
		1	J, U					*DL	[J1], Export
	0UZ471DBAA	1	J, T					*DL	[DB]
		1	J, U					*DL	[DB], Export
25									HEADREST, Rear
	1BB701D1AA	1	J, U					*DL	[J1], Export
	1BB701DBAA	1	J, U					*DL	[DB], Export
26									PIN, Push
	0WA511D1AA	2	J, U					*DL	[J1], Export
		2	J, T					*DL	[J1],
	0WA511DBAA	1	J, T					*DL	[DB]
		1	J, U					*DL	[DB], Export
27									STRIKER, Seat Back Latch
	55352816AB	1							Right
	55352817AB	1							Left
28	06501648	6							SCREW, Hex Flange Head, M8x1.25x25.00
29	55352839AC	2							BEZEL, Seat Latch
30									BEZEL, Seat Latch
	0WA92XD-HAA	1	J, T					*DL	[DB]
		1	J, U					*DL	[DB], Export
	0WA92ZJ8AA	1	J, T					*DL	[J1]
		1	J, U					*DL	[J1], Export
31									CONTROL, SEAT RELEASE, With Cable and Latch
	0XF781D1AB	1	J, T					*DL	[J1]
		1	J, U					*DL	[J1], Export
	0XF781DBAB	1	J, T					*DL	[DB]

LIBERTY (KJ)

SERIES LINE  
P = LIMITED J = JEEP - 4WD  
H = SPORT U = JEEP - 4WD (RHD)  
M = RENEGADE T = JEEP - 2WD

BODY  
74 = SPORT UTILITY 4-DR

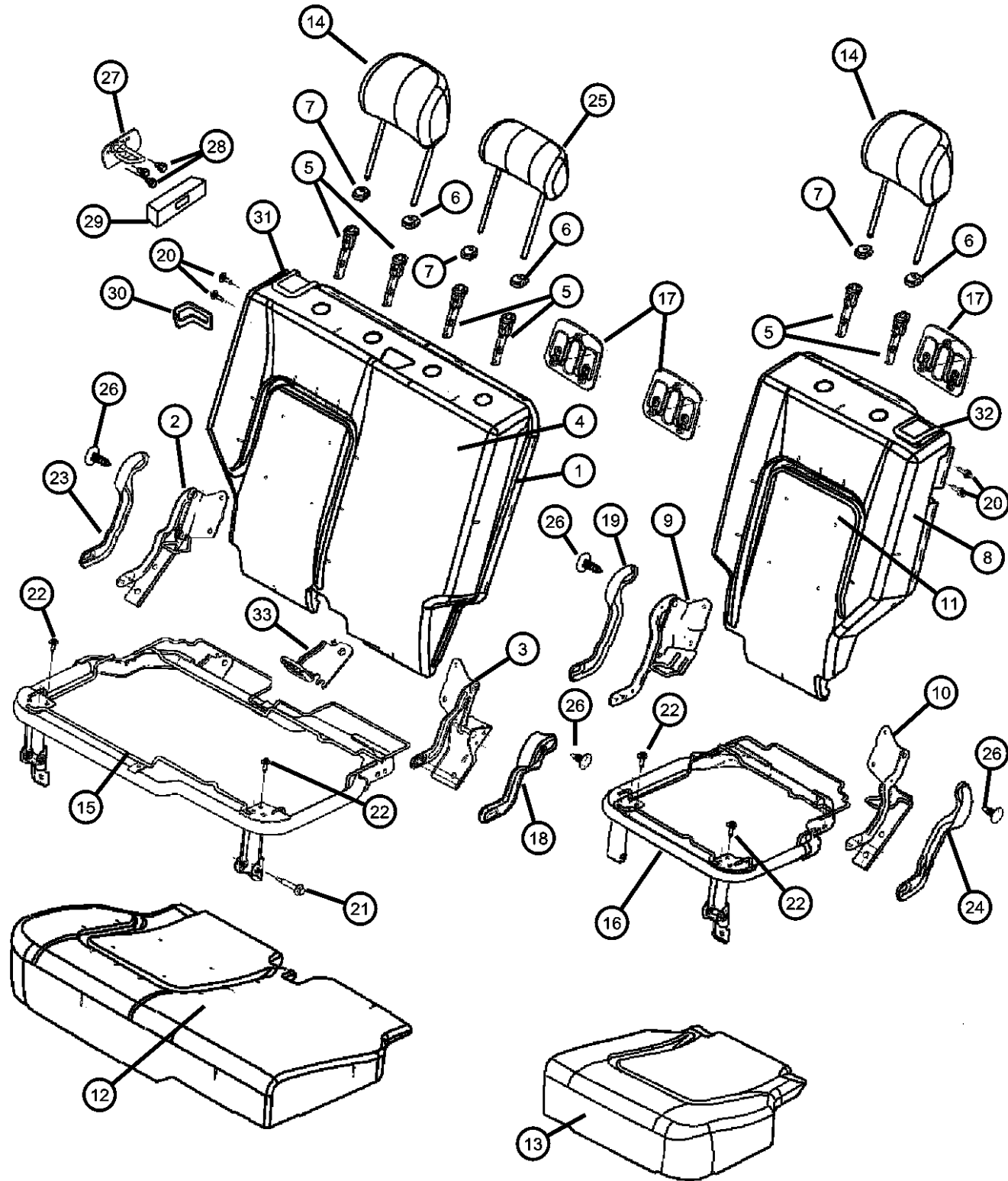
ENGINE  
ED1 = Engine - 2.4L 4 Cyl DOHC 16v SMPI  
EKG = Engine - 3.7L V6  
ENR = Engine - 2.8L 4 Cyl Turbo Diesel  
ENO = 4CYL turbo diesel

TRANSMISSION  
DGQ = Transmission-5-Spd Automatic 5-45RFE  
DG6 = Transmission-4-Spd. Automatic, 42RLE  
DEH = Transmission-6-Speed Manual, NSG370  
DG0 = Transmissions - All Automatic  
DBB = ALL MANUAL TRANSMISSIONS

AR = use ase required - = Non illustrated part

2005 KJ

Rear Seat, Trim Code [DL]  
Figure IKJ-610



ITEM	PART NUMBER	QTY	LINE	SERIES	BODY	ENGINE	TRANS	TRIM	DESCRIPTION
32		1	J, U					*DL	[DB], Export CONTROL, SEAT RELEASE, With Latch
	0XF791D1AB	1	J, U					*DL	[J1], Export
		1	J, T					*DL	[J1],
	0XF791DBAB	1	J, T					*DL	[DB]
		1	J, U					*DL	[DB], Export
33		1	J, T					*DL	BRACKET, Child Tether Anchor
	05134366AA	1	J, T					*DL	
		1	J, U					*DL	Export

LIBERTY (KJ)

SERIES      LINE  
P = LIMITED      J = JEEP - 4WD  
H = SPORT      U = JEEP - 4WD (RHD)  
M = RENEGADE      T = JEEP - 2WD

BODY  
74 = SPORT UTILITY 4-DR

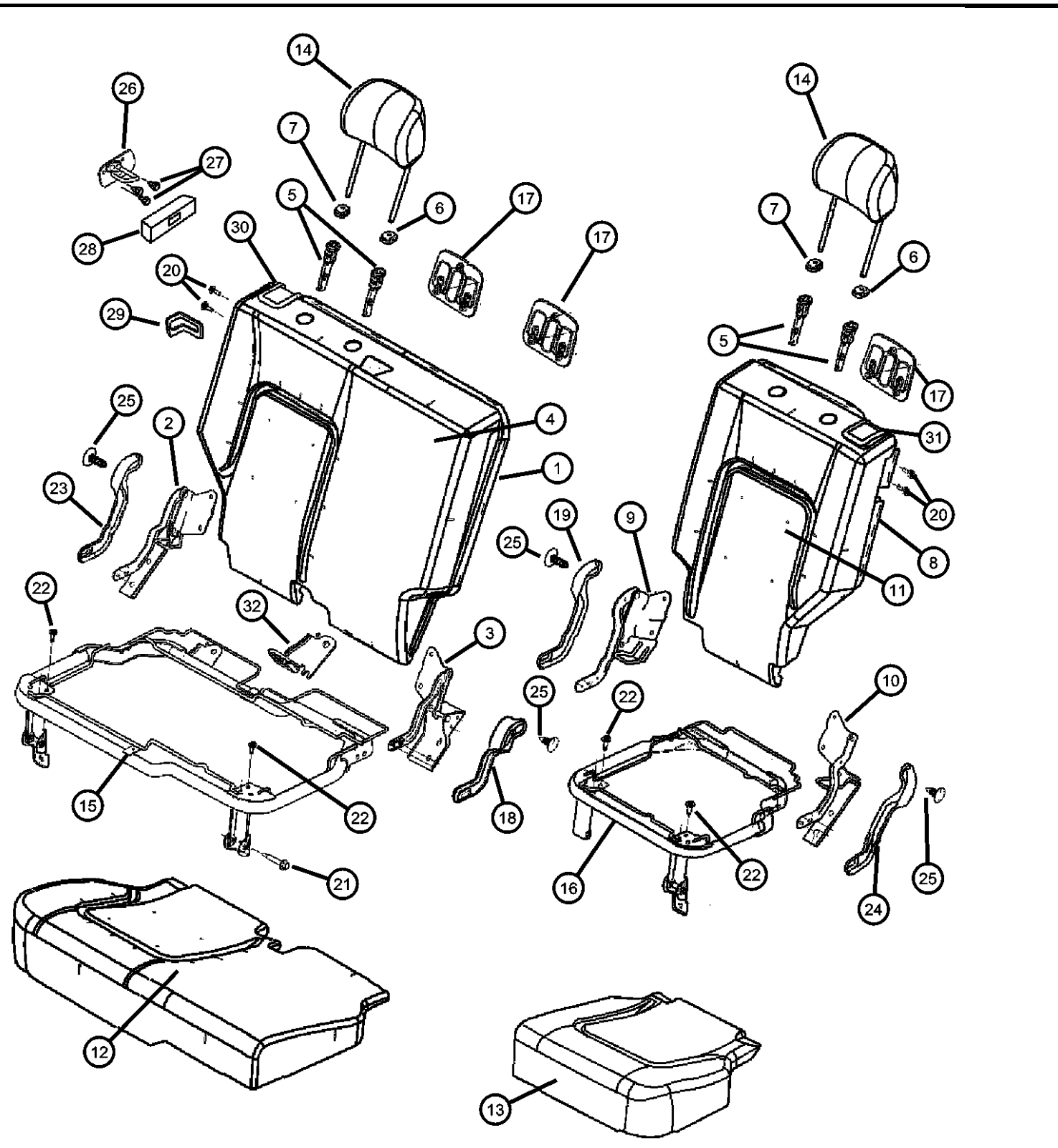
ENGINE  
ED1 = Engine - 2.4L 4 Cyl  
DOHC 16v SMPI  
EKG = Engine - 3.7L V6  
ENR = Engine - 2.8L 4 Cyl  
Turbo Diesel  
ENO = 4CYL turbo diesel

TRANSMISSION  
DGQ = Transmission-5-Spd Automatic  
5-45RFE  
DG6 = Transmission-4-Spd.  
Automatic, 42RLE  
DEH = Transmission-6-Speed Manual,  
NSG370  
DG0 = Transmissions - All Automatic  
DBB = ALL MANUAL  
TRANSMISSIONS

AR = use ase required - = Non illustrated part

2005 KJ

Rear Seat, Trim Code [N5]  
Figure IKJ-620



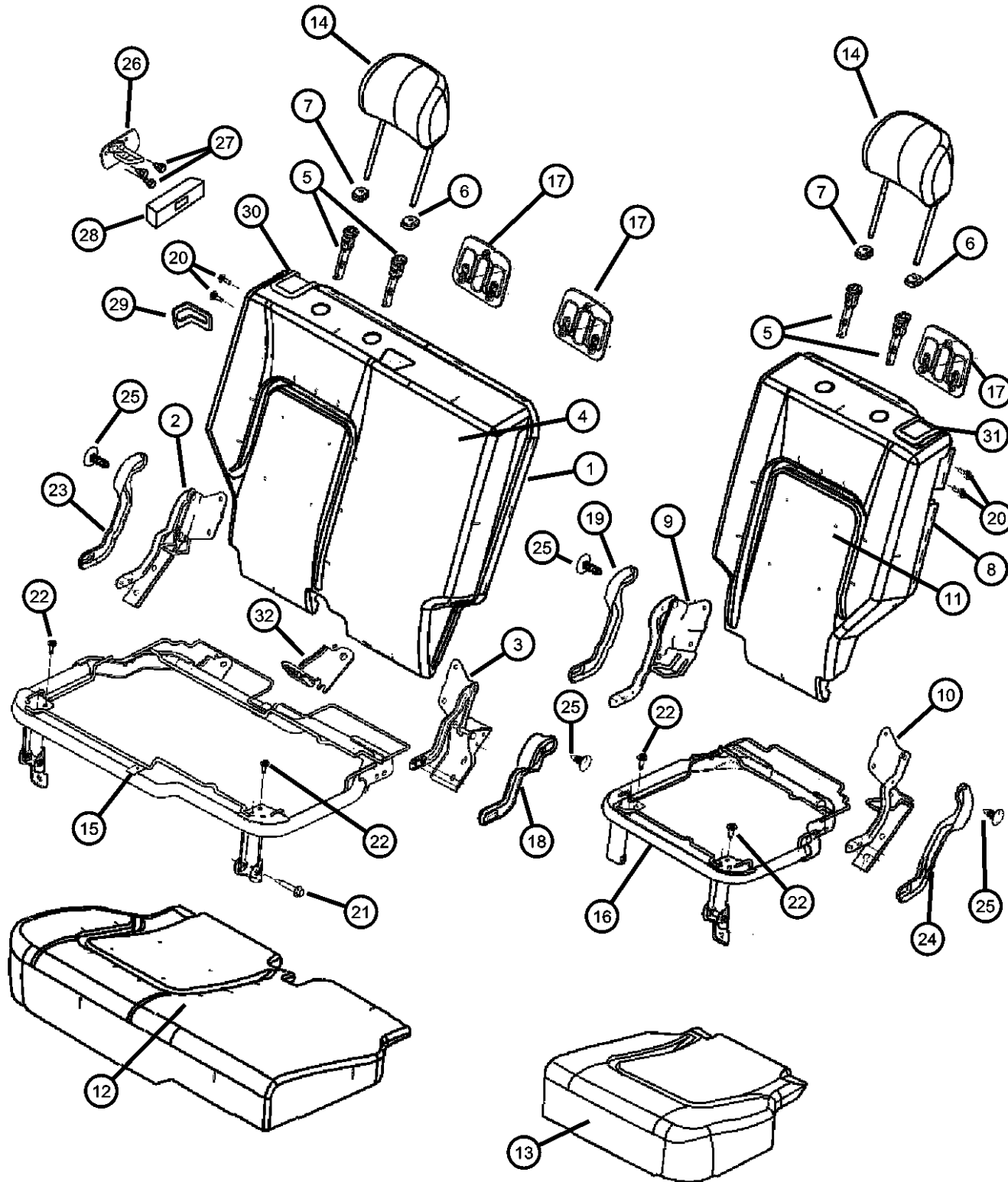
ITEM	PART NUMBER	QTY	LINE	SERIES	BODY	ENGINE	TRANS	TRIM	DESCRIPTION
1	1BC741D5AA	1	J, T					*N5 [D5]	SEAT BACK, Rear, 65%
	1BC741J3AA	1	J, T					*N5 [J3]	
2	05071702AA	1	J, T					*N5	BRACKET AND HINGE, Rear Seat Back, 65%Right, Outboard
3	05071703AA	1	J, T					*N5	BRACKET AND HINGE, Rear Seat Back, 65%Right, Inboard
4	1BC781D5AA	1	J, T					*N5 [D5]	COVER, Rear Seat Back, 65%
	1BC781J3AA	1	J, T					*N5 [J3]	
5	05066017AA	2	J, T					*N5	SLEEVE, Headrest
6	0WA461D5AA	1	J, T					*N5 [D5]	CAP, Headrest Adjuster, With Button
	0WA461J3AA	1	J, T					*N5 [J3]	
7	0WA311D5AA	1	J, T					*N5 [D5]	CAP, Headrest Adjuster, Without Button
	0WA311J3AA	1	J, T					*N5 [J3]	
8	1BC751D5AA	1	J, T					*N5 [D5]	SEAT BACK, Rear, 35%
	1BC751J3AA	1	J, T					*N5 [J3]	
9	05071704AA	1	J, T					*N5	BRACKET AND HINGE, Rear Seat Back, 35%Left, Inboard
10	05071705AA	1	J, T					*N5	BRACKET AND HINGE, Rear Seat Back, 35%Left, Outboard
11	1BC791D5AA	1	J, T					*N5 [D5]	COVER, Rear Seat Back, 35%
	1BC791J3AA	1	J, T					*N5 [J3]	
12	1BC821D5AA	1	J, T					*N5 [D5]	COVER AND PAD, Cushion, 65%
	1BC821J3AA	1	J, T					*N5 [J3]	
13	1BC831D5AA	1	J, T					*N5 [D5]	COVER AND PAD, Cushion, 35%
	1BC831J3AA	1	J, T					*N5 [J3]	
14									HEADREST, Rear

**LIBERTY (KJ)**  
 SERIES LINE BODY ENGINE TRANSMISSION  
 P = LIMITED J = JEEP - 4WD 74 = SPORT UTILITY 4-DR ED1 = Engine - 2.4L 4 Cyl DOHC 16v SMPI DGQ = Transmission-5-Spd Automatic 5-45RFE  
 H = SPORT U = JEEP - 4WD (RHD) EKG = Engine - 3.7L V6 DG6 = Transmission-4-Spd. Automatic, 42RLE  
 M = RENEGADE T = JEEP - 2WD ENR = Engine - 2.8L 4 Cyl Turbo Diesel DEH = Transmission-6-Speed Manual, NSG370  
 ENO = 4CYL turbo diesel DG0 = Transmissions - All Automatic DBB = ALL MANUAL TRANSMISSIONS

AR = use ase required - = Non illustrated part



Rear Seat, Trim Code [N5]  
Figure IKJ-620



ITEM	PART NUMBER	QTY	LINE	SERIES	BODY	ENGINE	TRANS	TRIM	DESCRIPTION
	1BC681D5AA	2	J, T					*N5 [D5]	
	1BC681J3AA	2	J, T					*N5 [J3]	
15	05072112AA	1	J, T					*N5	PANEL, Seat Cushion Base, 65%
16	05072113AA	1	J, T					*N5	PANEL, Seat Cushion Base, 35%
17									BEZEL, TETHER
	0WB44XD-HAA	2	J, T					*N5 [D5]	
	0WB44ZJ8AA	2	J, T					*N5 [J3]	
18									COVER, Hinge, Right Inboard
	0UZ451D5AA	1	J, T					*N5 [D5]	
	0UZ451J3AA	1	J, T					*N5 [J3]	
19									COVER, Hinge, Left Inboard
	0UZ461D5AA	1	J, T					*N5 [D5]	
	0UZ461J3AA	1	J, T					*N5 [J3]	
20	05072520AA	2	J, T					*N5	BOLT, Pivot
21	05072519AA	1	J, T					*N5	BOLT, Seat
22	04761014	8	J, T					*N5	BOLT, Cushion To Adjuster
23									COVER, Hinge, Right Outboard
	0UZ441D5AA	1	J, T					*N5 [D5]	
	0UZ441J3AA	1	J, T					*N5 [J3]	
24									COVER, Hinge, Left Outboard
	0UZ471D5AA	1	J, T					*N5 [D5]	
	0UZ471J3AA	1	J, T					*N5 [J3]	
25									PIN, Push
	0WA511D5AA	1	J, T					*N5 [D5]	
	0WA511J3AA	2	J, T					*N5 [J3]	
26									STRIKER, Seat Back Latch
	55352816AB	1							Right
	55352817AB	1							Left
27	06501648	6							SCREW, Hex Flange Head, M8x1.25x25.00
28	55352839AC	2							BEZEL, Seat Latch
29									BEZEL, Seat Latch

LIBERTY (KJ)

SERIES LINE  
P = LIMITED J = JEEP - 4WD  
H = SPORT U = JEEP - 4WD (RHD)  
M = RENEGADE T = JEEP - 2WD

BODY  
74 = SPORT UTILITY 4-DR

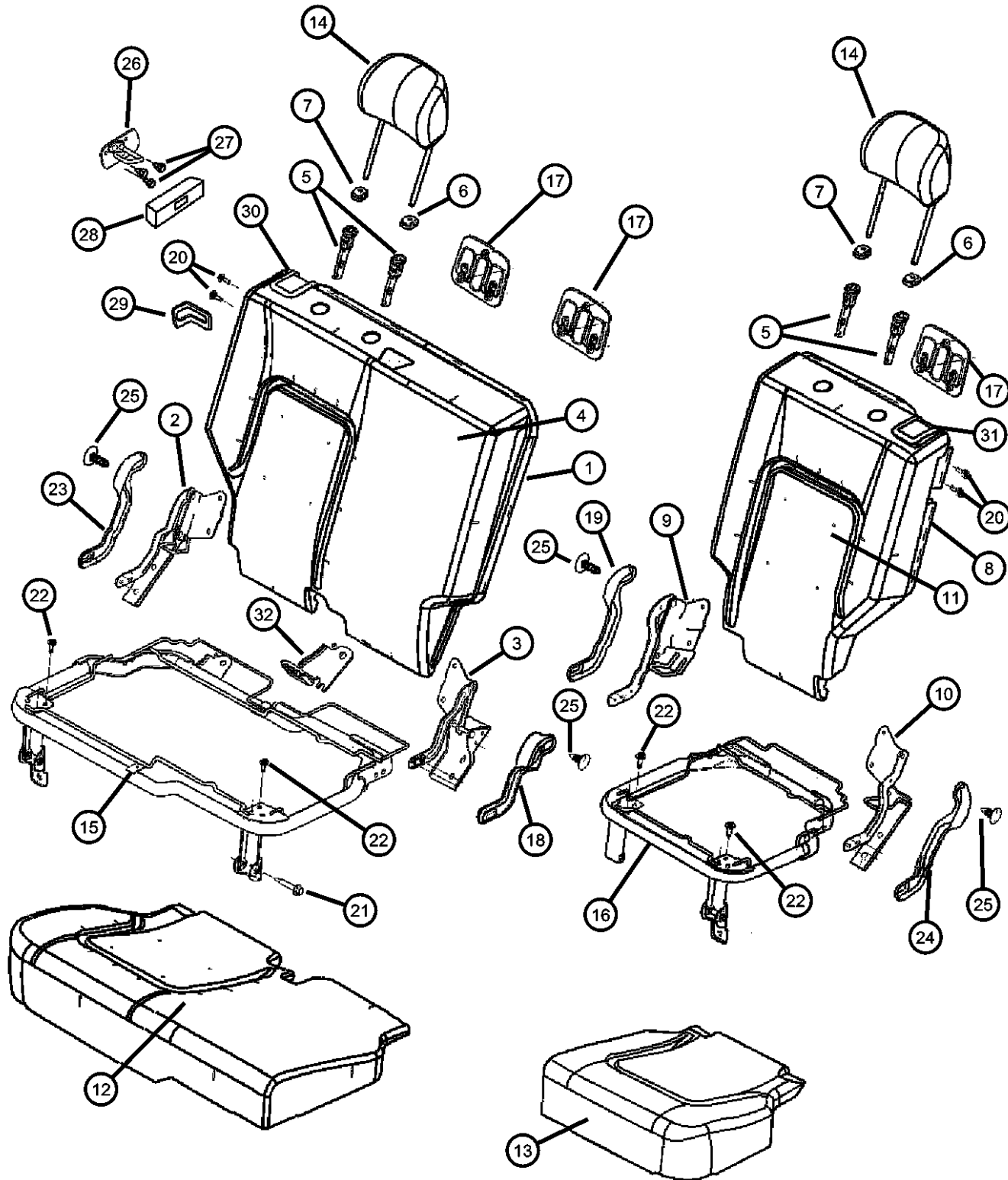
ENGINE  
ED1 = Engine - 2.4L 4 Cyl DOHC 16v SMPI  
EKG = Engine - 3.7L V6  
ENR = Engine - 2.8L 4 Cyl Turbo Diesel  
ENO = 4CYL turbo diesel

TRANSMISSION  
DGQ = Transmission-5-Spd Automatic 5-45RFE  
DG6 = Transmission-4-Spd. Automatic, 42RLE  
DEH = Transmission-6-Speed Manual, NSG370  
DG0 = Transmissions - All Automatic  
DBB = ALL MANUAL TRANSMISSIONS

AR = use ase required - = Non illustrated part

2005 KJ

Rear Seat, Trim Code [N5]  
Figure IKJ-620



ITEM	PART NUMBER	QTY	LINE	SERIES	BODY	ENGINE	TRANS	TRIM	DESCRIPTION
	0WA92XD-HAA	1	J, T					*N5 [D5]	
	0WA92ZJ8AA	1	J, T					*N5 [J3]	
30	0XF781D5AB	1	J, T					*N5 [D5]	CONTROL, SEAT RELEASE, With Cable and Latch
	0XF781J3AB	1	J, T					*N5 [J3]	
31	0XF791D5AB	1	J, T					*N5 [D5]	CONTROL, SEAT RELEASE, With Latch
	0XF791J3AB	1	J, T					*N5 [J3]	
32	05134366AA	1	J, T					*N5	BRACKET, Child Tether Anchor

LIBERTY (KJ)

SERIES LINE  
P = LIMITED J = JEEP - 4WD  
H = SPORT U = JEEP - 4WD (RHD)  
M = RENEGADE T = JEEP - 2WD

BODY  
74 = SPORT UTILITY 4-DR

ENGINE  
ED1 = Engine - 2.4L 4 Cyl DOHC 16v SMPI  
EKG = Engine - 3.7L V6  
ENR = Engine - 2.8L 4 Cyl Turbo Diesel  
ENO = 4CYL turbo diesel

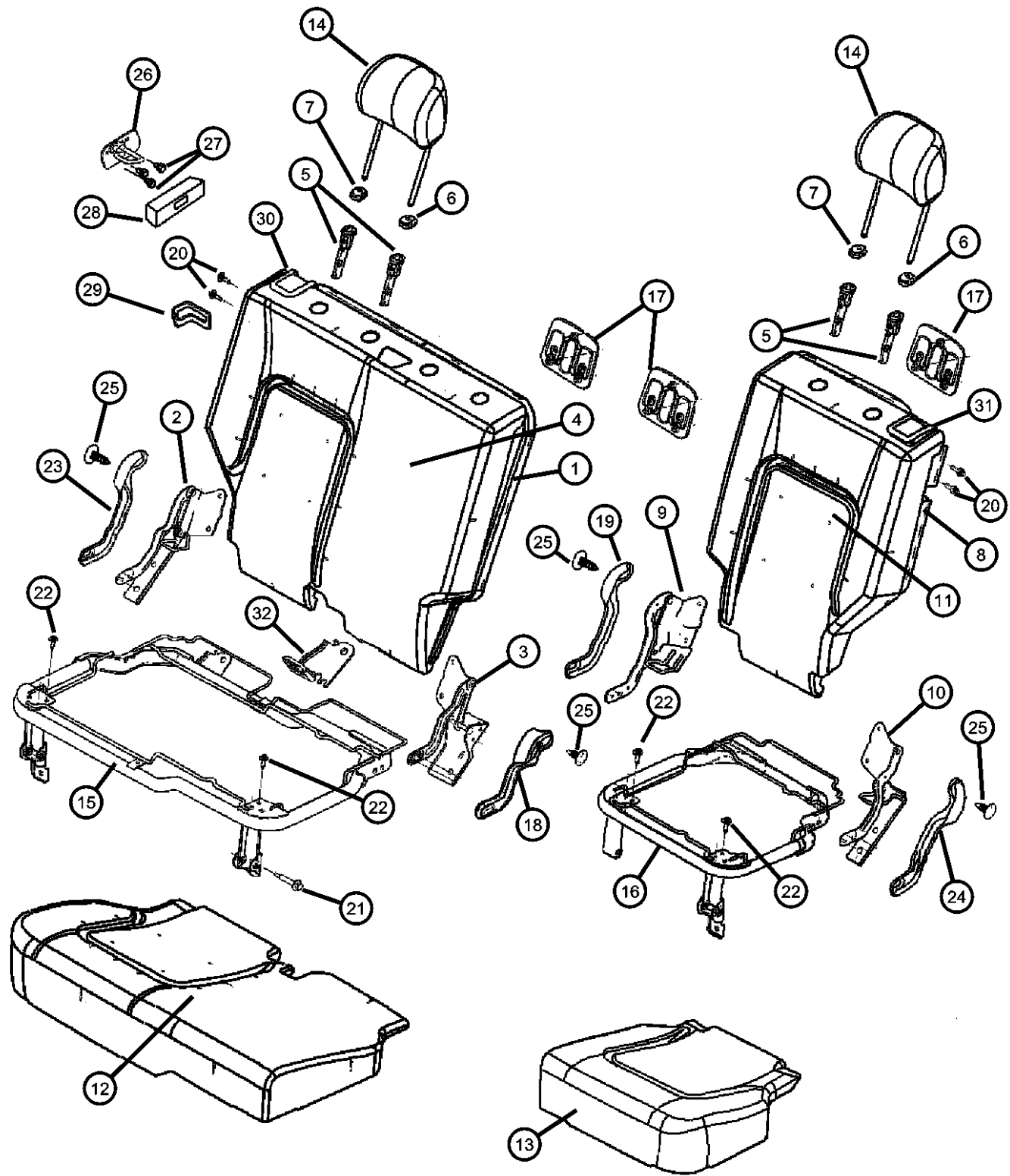
TRANSMISSION  
DGQ = Transmission-5-Spd Automatic 5-45RFE  
DG6 = Transmission-4-Spd. Automatic, 42RLE  
DEH = Transmission-6-Speed Manual, NSG370  
DG0 = Transmissions - All Automatic  
DBB = ALL MANUAL TRANSMISSIONS

AR = use ase required - = Non illustrated part

2005 KJ

Rear Seat, Trim Code [B5]  
Figure IKJ-630

ITEM	PART NUMBER	QTY	LINE	SERIES	BODY	ENGINE	TRANS	TRIM	DESCRIPTION
1	1BD161D5AA	1						*B5 [D5]	SEAT BACK, Rear, 65%
	1BD161J3AA	1						*B5 [J3]	
2	05071702AA	1						*B5	BRACKET AND HINGE, Rear Seat Back, 65%Right, Outboard
3	05071703AA	1						*B5	BRACKET AND HINGE, Rear Seat Back, 65%Right, Inboard
4									COVER, Rear Seat Back, 65%
	1BD141D5AA	1						*B5 [D5]	
	1BD141J3AA	1						*B5 [J3]	
5	05066017AA	2						*B5	SLEEVE, Headrest
6									CAP, Headrest Adjuster, With Button
	0WA461D5AA	1						*B5 [D5]	
	0WA461J3AA	1						*B5 [J3]	
7									CAP, Headrest Adjuster, Without Button
	0WA311D5AA	1						*B5 [D5]	
	0WA311J3AA	1						*B5 [J3]	
8									SEAT BACK, Rear, 35%
	1BD171D5AA	1						*B5 [D5]	
	1BD171J3AA	1						*B5 [J3]	
9	05071704AA	1						*B5	BRACKET AND HINGE, Rear Seat Back, 35%Left, Inboard
10	05071705AA	1						*B5	BRACKET AND HINGE, Rear Seat Back, 35%Left, Outboard
11									COVER, Rear Seat Back, 35%
	1BD151D5AA	1						*B5 [D5]	
	1BD151J3AA	1						*B5 [J3]	
12									COVER AND PAD, Cushion, 65%
	1BD121D5AA	1						*B5 [D5]	
	1BD121J3AA	1						*B5 [J3]	
13									COVER AND PAD, Cushion, 35%
	1BD131D5AA	1						*B5 [D5]	
	1BD131J3AA	1						*B5 [J3]	
14									HEADREST, Rear



LIBERTY (KJ)

SERIES LINE  
P = LIMITED J = JEEP - 4WD  
H = SPORT U = JEEP - 4WD (RHD)  
M = RENEGADE T = JEEP - 2WD

BODY  
74 = SPORT UTILITY 4-DR

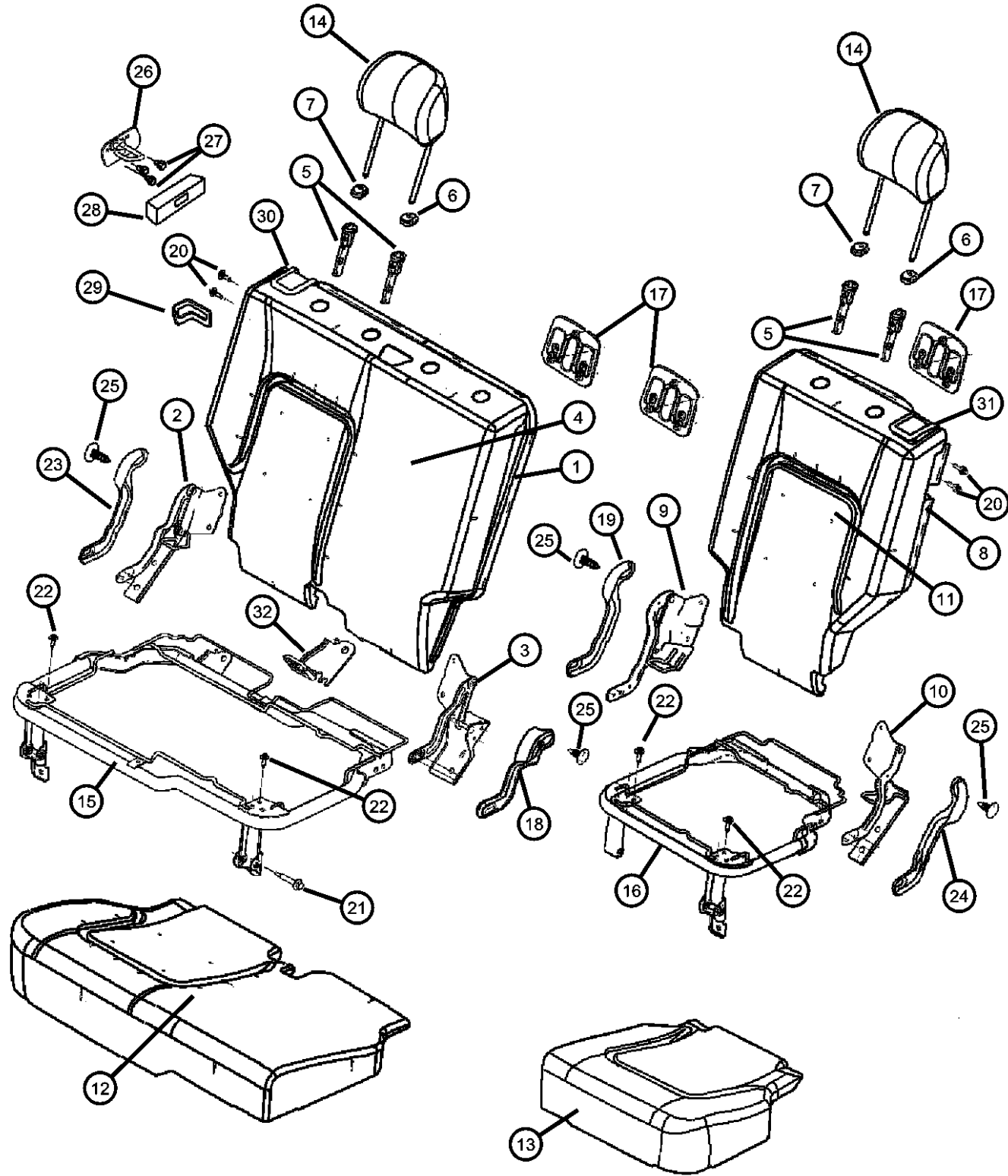
ENGINE  
ED1 = Engine - 2.4L 4 Cyl DOHC 16v SMPI  
EKG = Engine - 3.7L V6  
ENR = Engine - 2.8L 4 Cyl Turbo Diesel  
ENO = 4CYL turbo diesel

TRANSMISSION  
DGQ = Transmission-5-Spd Automatic 5-45RFE  
DG6 = Transmission-4-Spd. Automatic, 42RLE  
DEH = Transmission-6-Speed Manual, NSG370  
DG0 = Transmissions - All Automatic  
DBB = ALL MANUAL TRANSMISSIONS

AR = use ase required - = Non illustrated part

2005 KJ

Rear Seat, Trim Code [B5]  
Figure IKJ-630



ITEM	PART NUMBER	QTY	LINE	SERIES	BODY	ENGINE	TRANS	TRIM	DESCRIPTION
	1BC971D5AA	1						*B5 [D5]	
	1BC971J3AA	2						*B5 [J3]	
15	05072112AA	1						*B5	PANEL, Seat Cushion Base, 65%
16	05072113AA	1						*B5	PANEL, Seat Cushion Base, 35%
17									BEZEL, TETHER
	0WB44XD-HAA	1						*B5 [D5]	
	0WB44ZJ8AA	2						*B5 [J3]	
18									COVER, Hinge, Right Inboard
	0UZ451D5AA	1						*B5 [D5]	
	0UZ451J3AA	1						*B5 [J3]	
19									COVER, Hinge, Left Inboard
	0UZ461D5AA	1						*B5 [D5]	
	0UZ461J3AA	1						*B5 [J3]	
20	05072520AA	1						*B5	BOLT, Pivot
21	05072519AA	1						*B5	BOLT, Seat
22	04761014	8						*B5	BOLT, Cushion To Adjuster
23									COVER, Hinge, Right Outboard
	0UZ441D5AA	1						*B5 [D5]	
	0UZ441J3AA	1						*B5 [J3]	
24									COVER, Hinge, Left Outboard
	0UZ471D5AA	1						*B5 [D5]	
	0UZ471J3AA	1						*B5 [J3]	
25									PIN, Push
	0WA511D5AA	2						*B5 [D5]	
	0WA511J3AA	2						*B5 [J3]	
26									STRIKER, Seat Back Latch
	55352816AB	1							Right
	55352817AB	1							Left
27	06501648	6							SCREW, Hex Flange Head, M8x1.25x25.00
28	55352839AC	2							BEZEL, Seat Latch
29									BEZEL, Seat Latch

LIBERTY (KJ)

SERIES LINE  
P = LIMITED J = JEEP - 4WD  
H = SPORT U = JEEP - 4WD (RHD)  
M = RENEGADE T = JEEP - 2WD

BODY  
74 = SPORT UTILITY 4-DR

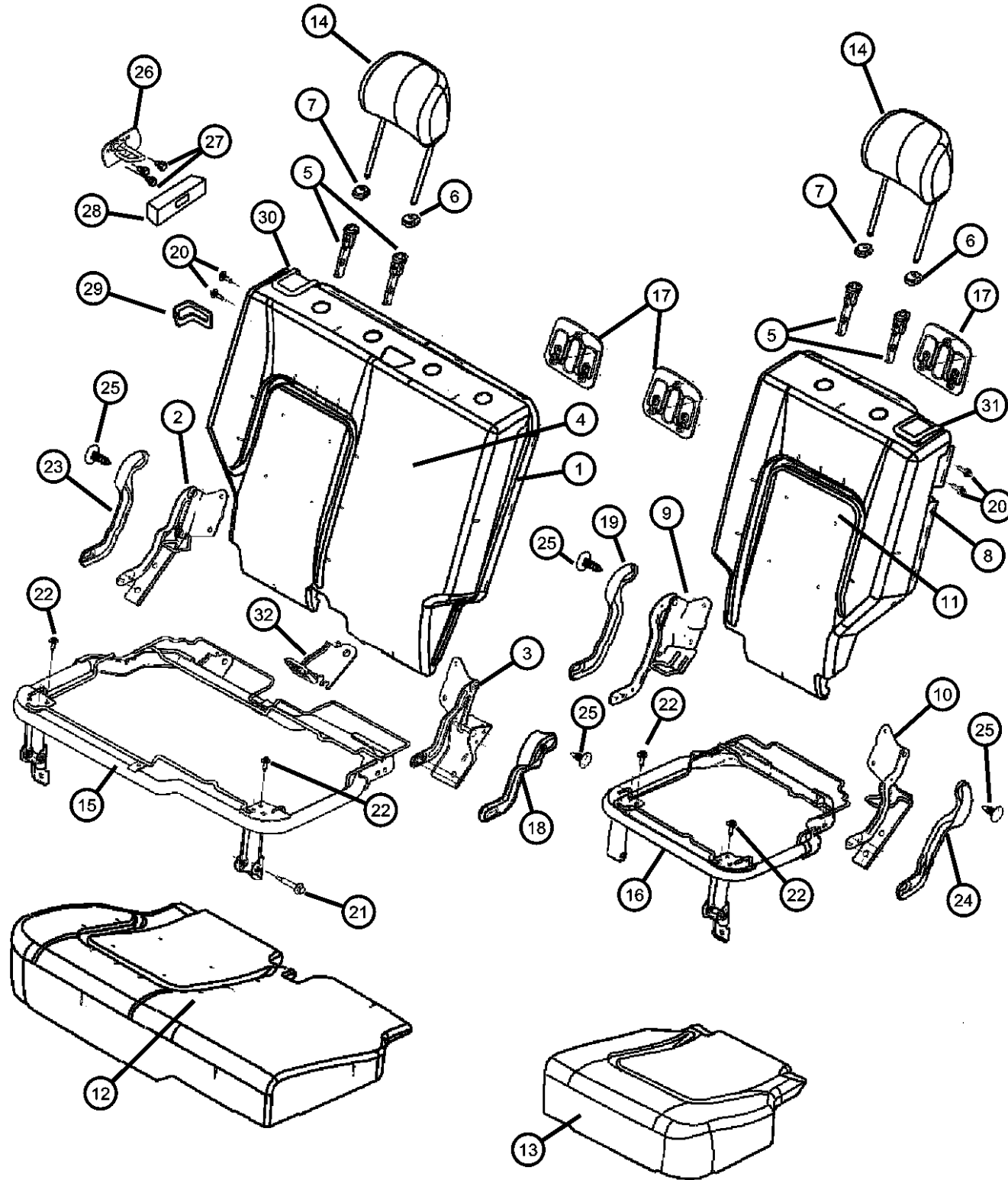
ENGINE  
ED1 = Engine - 2.4L 4 Cyl DOHC 16v SMPI  
EKG = Engine - 3.7L V6  
ENR = Engine - 2.8L 4 Cyl Turbo Diesel  
ENO = 4CYL turbo diesel

TRANSMISSION  
DGQ = Transmission-5-Spd Automatic 5-45RFE  
DG6 = Transmission-4-Spd. Automatic, 42RLE  
DEH = Transmission-6-Speed Manual, NSG370  
DG0 = Transmissions - All Automatic  
DBB = ALL MANUAL TRANSMISSIONS

AR = use ase required - = Non illustrated part

2005 KJ

Rear Seat, Trim Code [B5]  
Figure IKJ-630



ITEM	PART NUMBER	QTY	LINE	SERIES	BODY	ENGINE	TRANS	TRIM	DESCRIPTION
	0WA92XD-HAA	1						*B5 [D5]	
	0WA92ZJ8AA	1						*B5 [J3]	
30	0XF781D5AB	1						*B5 [D5]	CONTROL, SEAT RELEASE, With Cable and Latch
	0XF781J3AB	1						*B5 [J3]	
31	0XF791D5AB	1						*B5 [D5]	CONTROL, SEAT RELEASE, With Latch
	0XF791J3AB	1						*B5 [J3]	
32	05134366AA	1						*B5	BRACKET, Child Tether Anchor

LIBERTY (KJ)

SERIES LINE  
P = LIMITED J = JEEP - 4WD  
H = SPORT U = JEEP - 4WD (RHD)  
M = RENEGADE T = JEEP - 2WD

BODY  
74 = SPORT UTILITY 4-DR

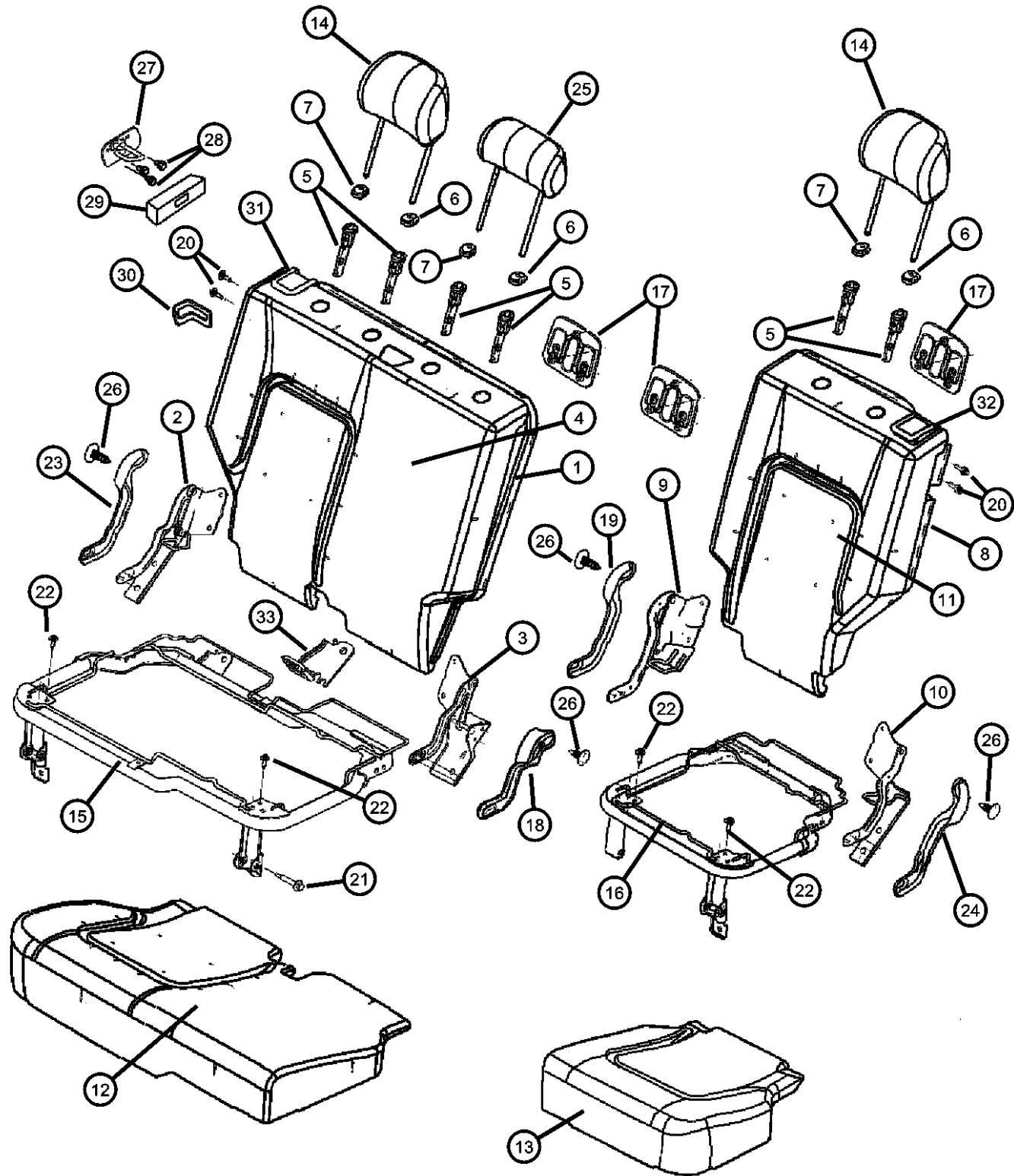
ENGINE  
ED1 = Engine - 2.4L 4 Cyl DOHC 16v SMPI  
EKG = Engine - 3.7L V6  
ENR = Engine - 2.8L 4 Cyl Turbo Diesel  
ENO = 4CYL turbo diesel

TRANSMISSION  
DGQ = Transmission-5-Spd Automatic 5-45RFE  
DG6 = Transmission-4-Spd. Automatic, 42RLE  
DEH = Transmission-6-Speed Manual, NSG370  
DG0 = Transmissions - All Automatic  
DBB = ALL MANUAL TRANSMISSIONS

AR = use ase required - = Non illustrated part

2005 KJ

Rear Seat, Trim Code [B7]  
Figure IKJ-640



ITEM	PART NUMBER	QTY	LINE	SERIES	BODY	ENGINE	TRANS	TRIM	DESCRIPTION
1	1BC761D5AA	1	J, U					*B7 [D5]	SEAT BACK, Rear, 65%
	1BC761J3AA	1	J, U					*B7 [J3]	
2	05071702AA	1	J, U					*B7	BRACKET AND HINGE, Rear Seat Back, 65%Right, Outboard
3	05071703AA	1	J, U					*B7	BRACKET AND HINGE, Rear Seat Back, 65%Right, Inboard
4	1BC801D5AA	1	J, U					*B7 [D5]	COVER, Rear Seat Back, 65%
	1BC801J3AA	1	J, U					*B7 [J3]	
5	05066017AA	2	J, U					*B7	SLEEVE, Headrest
6	0WA461D5AA	1	J, U					*B7 [D5]	CAP, Headrest Adjuster, With Button
	0WA461J3AA	1	J, U					*B7 [J3]	
7	0WA311D5AA	3	J, U					*B7 [D5]	CAP, Headrest Adjuster, Without Button
	0WA311J3AA	3	J, U					*B7 [J3]	
8	1BC751D5AA	1	J, U					*B7 [D5]	SEAT BACK, Rear, 35%
	1BC751J3AA	1	J, U					*B7 [J3]	
9	05071704AA	1	J, U					*B7	BRACKET AND HINGE, Rear Seat Back, 35%Left, Inboard
10	05071705AA	1	J, U					*B7	BRACKET AND HINGE, Rear Seat Back, 35%Left, Outboard
11	1BC791D5AA	1	J, U					*B7 [D5]	COVER, Rear Seat Back, 35%
	1BC791J3AA	1	J, U					*B7 [J3]	
12	1BC821D5AA	1	J, U					*B7 [D5]	COVER AND PAD, Cushion, 65%
	1BC821J3AA	1	J, U					*B7 [J3]	
13	1BC831D5AA	1	J, U					*B7 [D5]	COVER AND PAD, Cushion, 35%
	1BC831J3AA	1	J, U					*B7 [J3]	
14									HEADREST, Rear

LIBERTY (KJ)

SERIES LINE  
P = LIMITED J = JEEP - 4WD  
H = SPORT U = JEEP - 4WD (RHD)  
M = RENEGADE T = JEEP - 2WD

BODY  
74 = SPORT UTILITY 4-DR

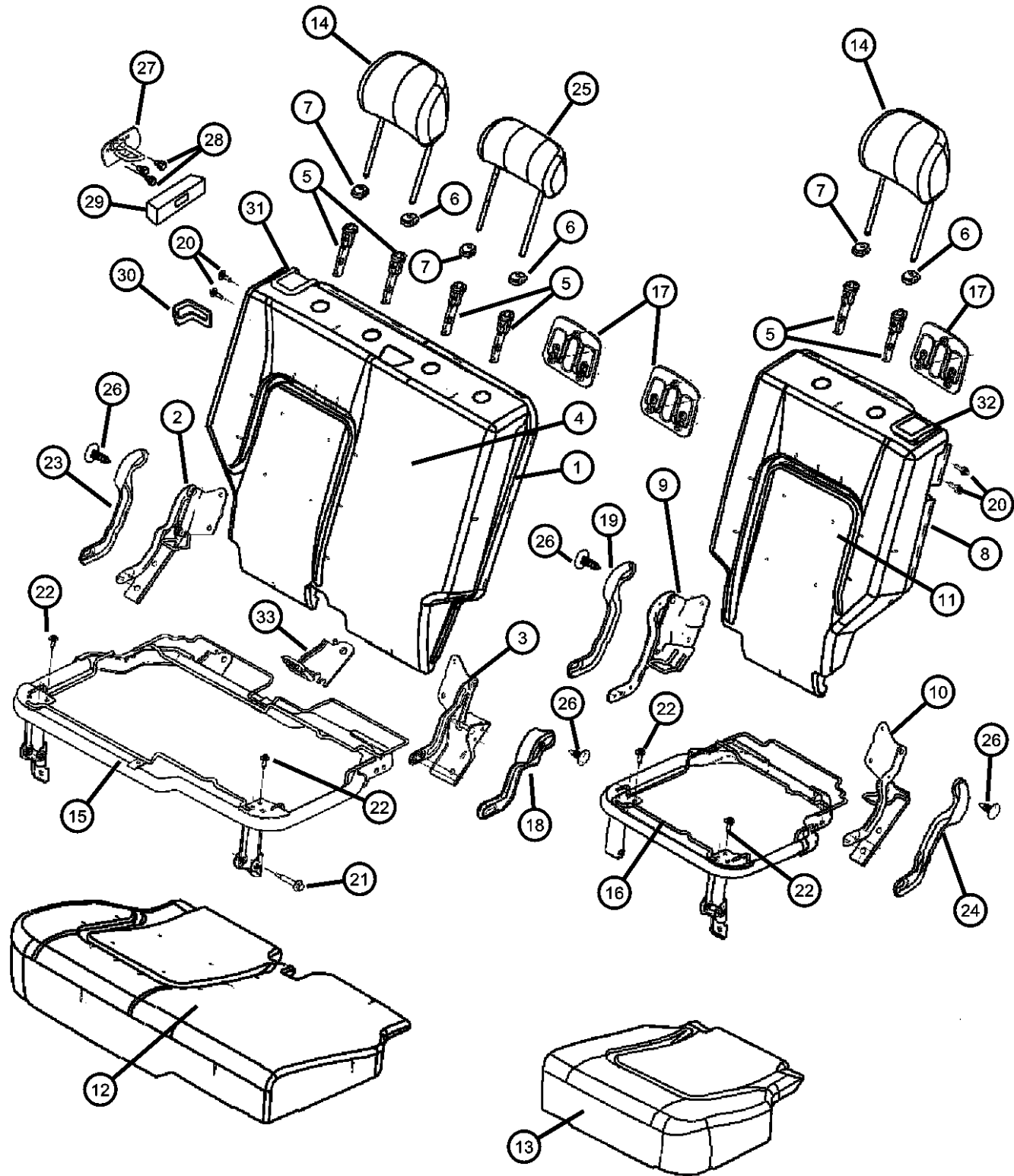
ENGINE  
ED1 = Engine - 2.4L 4 Cyl DOHC 16v SMPI  
EKG = Engine - 3.7L V6  
ENR = Engine - 2.8L 4 Cyl Turbo Diesel  
ENO = 4CYL turbo diesel

TRANSMISSION  
DGQ = Transmission-5-Spd Automatic 5-45RFE  
DG6 = Transmission-4-Spd. Automatic, 42RLE  
DEH = Transmission-6-Speed Manual, NSG370  
DG0 = Transmissions - All Automatic  
DBB = ALL MANUAL TRANSMISSIONS

AR = use ase required - = Non illustrated part

2005 KJ

Rear Seat, Trim Code [B7]  
Figure IKJ-640



ITEM	PART NUMBER	QTY	LINE	SERIES	BODY	ENGINE	TRANS	TRIM	DESCRIPTION
	1BC681D5AA	2	J, U					*B7 [D5]	
	1BC681J3AA	2	J, U					*B7 [J3]	
15	05072112AA	1	J, U					*B7	PANEL, Seat Cushion Base, 65%
16	05072113AA	1	J, U					*B7	PANEL, Seat Cushion Base, 35%
17									BEZEL, TETHER
	0WB44XD-HAA	2	J, U					*B7 [D5]	
	0WB44ZJ8AA	1	J, U					*B7 [J3]	
18									COVER, Hinge
	0UZ451D5AA	1	J, U					*B7 [D5], Right, Inboard	
	0UZ451J3AA	1	J, U					*B7 [J3], Right, Inboard	
19									COVER, Hinge
	0UZ461D5AA	1	J, U					*B7 [D5], Left, Inboard	
	0UZ461J3AA	1	J, U					*B7 [J3], Left, Inboard	
20	05072520AA	2	J, U					*B7	BOLT, Pivot
21	05072519AA	1	J, U					*B7	BOLT, Seat
22	04761014	8	J, U					*B7	BOLT, Cushion To Adjuster
23									COVER, Hinge
	0UZ441D5AA	1	J, U					*B7 [D5], Right, Outboard	
	0UZ441J3AA	1	J, U					*B7 [J3], Right, Outboard	
24									COVER, Hinge
	0UZ471D5AA	1	J, U					*B7 [D5], Left, Outboard	
	0UZ471J3AA	1	J, U					*B7 [J3], Left, Outboard	
25									HEADREST, Rear
	1BC691D5AA	1	J, U					*B7 [D5]	
	1BC691J3AA	1	J, U					*B7 [J3]	
26									PIN, Push
	0WA511D5AA	1	J, U					*B7 [D5]	
	0WA511J3AA	2	J, U					*B7 [J3]	
27									STRIKER, Seat Back Latch
	55352816AB	1							Right
	55352817AB	1							Left

LIBERTY (KJ)

SERIES LINE  
P = LIMITED J = JEEP - 4WD  
H = SPORT U = JEEP - 4WD (RHD)  
M = RENEGADE T = JEEP - 2WD

BODY  
74 = SPORT UTILITY 4-DR

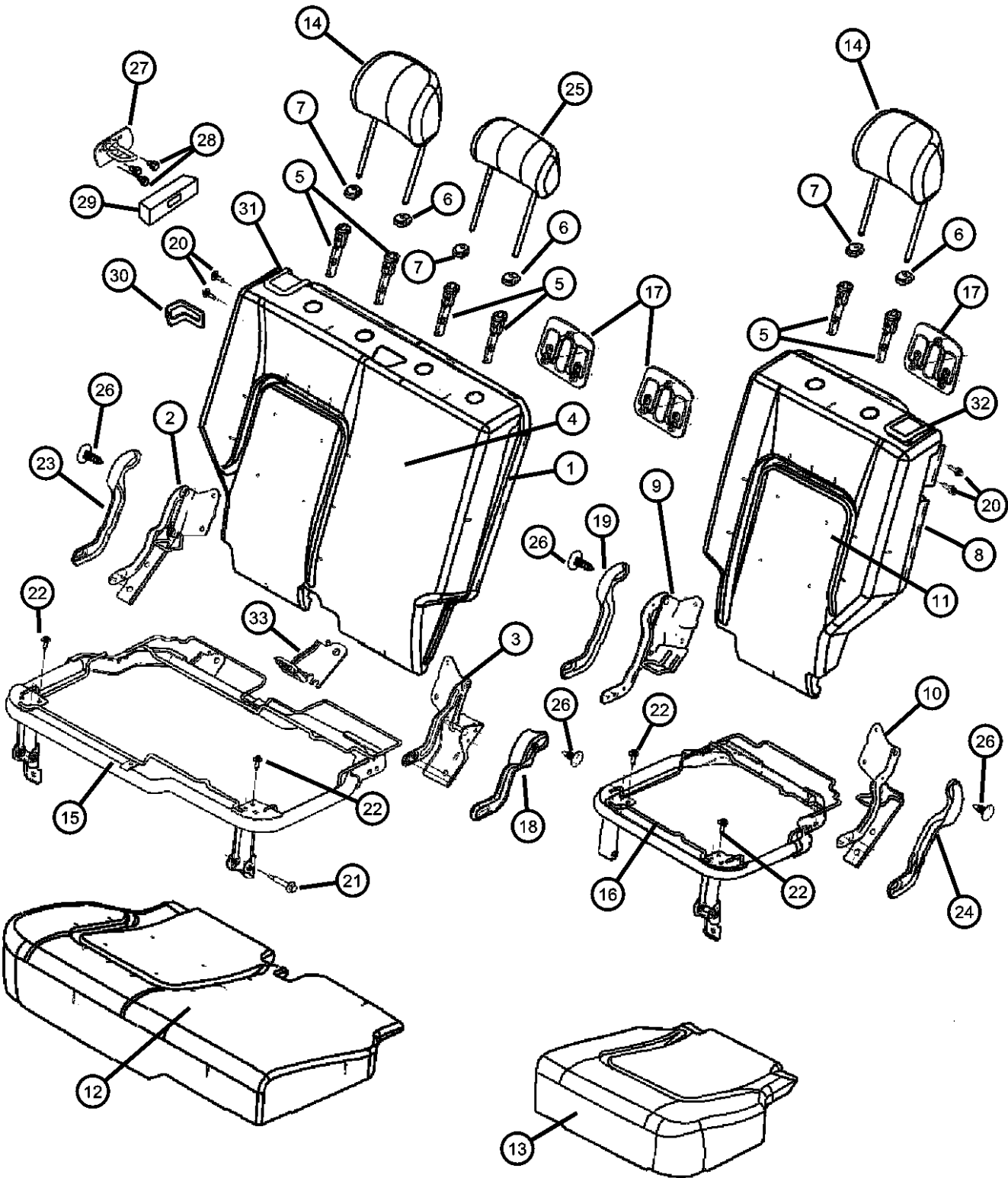
ENGINE  
ED1 = Engine - 2.4L 4 Cyl DOHC 16v SMPI  
EKG = Engine - 3.7L V6  
ENR = Engine - 2.8L 4 Cyl Turbo Diesel  
ENO = 4CYL turbo diesel

TRANSMISSION  
DGQ = Transmission-5-Spd Automatic 5-45RFE  
DG6 = Transmission-4-Spd. Automatic, 42RLE  
DEH = Transmission-6-Speed Manual, NSG370  
DG0 = Transmissions - All Automatic  
DBB = ALL MANUAL TRANSMISSIONS

AR = use ase required - = Non illustrated part

2005 KJ

Rear Seat, Trim Code [B7]  
Figure IKJ-640



ITEM	PART NUMBER	QTY	LINE	SERIES	BODY	ENGINE	TRANS	TRIM	DESCRIPTION
28	06501648	6							SCREW, Hex Flange Head, M8x1.25x25.00
29	55352839AC	2							BEZEL, Seat Latch
30									BEZEL, Seat Latch
	0WA92XD-HAA	1	J, U					*B7	[D5]
	0WA92ZJ8AA	1	J, U					*B7	[J3]
31									CONTROL, SEAT RELEASE, With Cable and Latch
	0XF781J3AB	1	J, U					*B7	[J3]
	0XF791D5AB	1	J, U					*B7	[D5]
32									CONTROL, SEAT RELEASE, With Latch
	0XF791D5AB	1	J, U					*B7	[D5]
	0XF791J3AB	1	J, U					*B7	[J3]
33	05134366AA	1	J, U					*B7	BRACKET, Child Tether Anchor

LIBERTY (KJ)

SERIES LINE  
P = LIMITED J = JEEP - 4WD  
H = SPORT U = JEEP - 4WD (RHD)  
M = RENEGADE T = JEEP - 2WD

BODY  
74 = SPORT UTILITY 4-DR

ENGINE  
ED1 = Engine - 2.4L 4 Cyl DOHC 16v SMPI  
EKG = Engine - 3.7L V6  
ENR = Engine - 2.8L 4 Cyl Turbo Diesel  
ENO = 4CYL turbo diesel

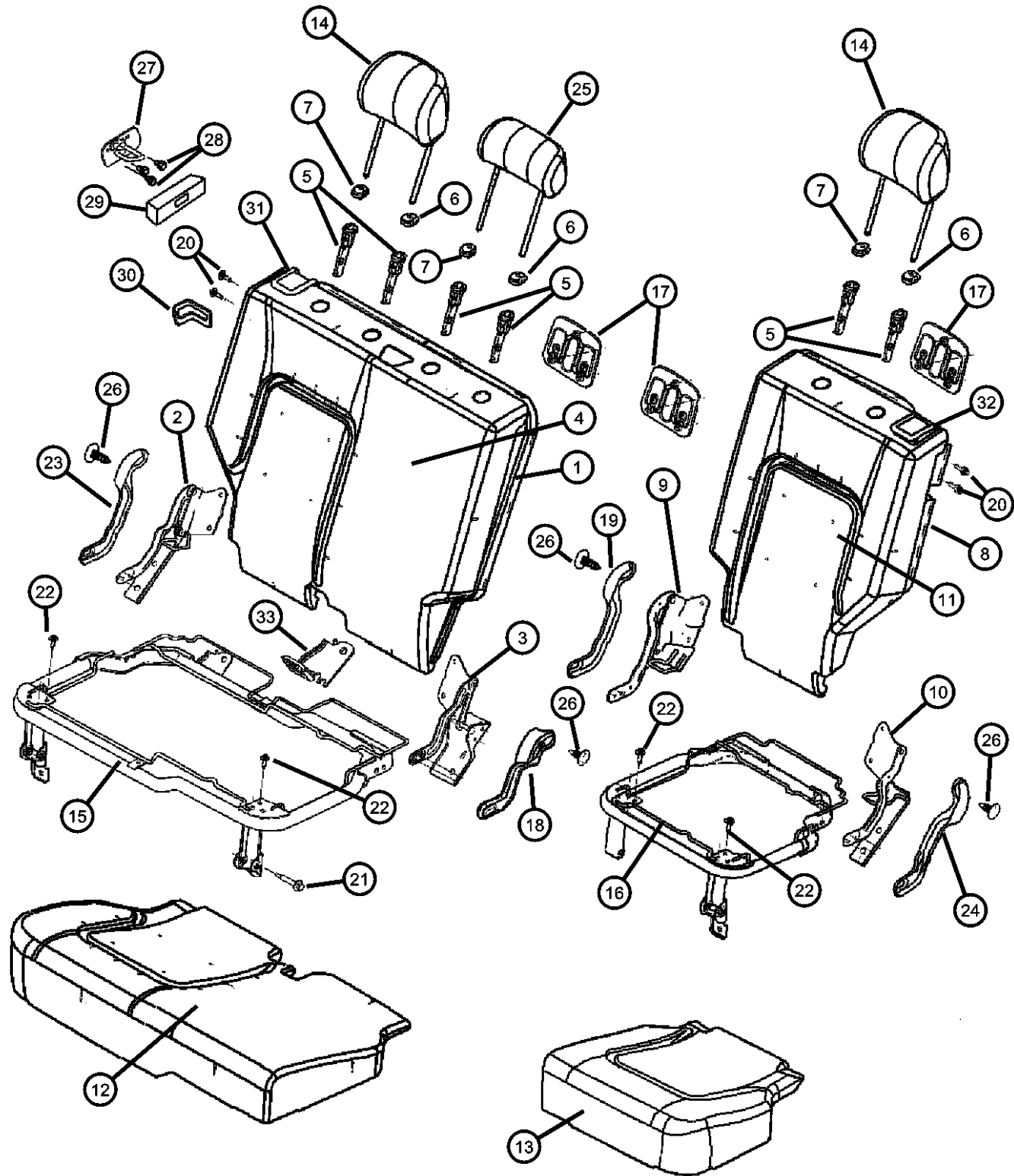
TRANSMISSION  
DGQ = Transmission-5-Spd Automatic 5-45RFE  
DG6 = Transmission-4-Spd. Automatic, 42RLE  
DEH = Transmission-6-Speed Manual, NSG370  
DG0 = Transmissions - All Automatic  
DBB = ALL MANUAL TRANSMISSIONS

AR = use ase required - = Non illustrated part

2005 KJ



Rear Seat, Trim Code [J7]  
Figure IKJ-650



ITEM	PART NUMBER	QTY	LINE	SERIES	BODY	ENGINE	TRANS	TRIM	DESCRIPTION
1	1BD201D5AA	1						*J7 [D5]	SEAT BACK, Rear, 65%
	1BD201J3AA	1						*J7 [J3]	
2	05071702AA	1						*J7	BRACKET AND HINGE, Rear Seat Back, 65%Right, Outboard
3	05071703AA	1						*J7	BRACKET AND HINGE, Rear Seat Back, 65%Right, Inboard
4	1BD181D5AA	1						*J7 [D5]	COVER, Rear Seat Back, 65%
	1BD181J3AA	1						*J7 [J3]	
5	05066017AA	2						*J7	SLEEVE, Headrest
6	0WA461D5AA	1						*J7 [D5]	CAP, Headrest Adjuster, With Button
	0WA461J3AA	1						*J7 [J3]	
7	0WA311D5AA	3						*J7 [D5]	CAP, Headrest Adjuster, Without Button
	0WA311J3AA	1						*J7 [J3]	
8	1BD171D5AA	1	J, U					*J7 [D5]	SEAT BACK, Rear, 35%
	1BD171J3AA	1						*J7 [J3]	
9	05071704AA	1						*J7	BRACKET AND HINGE, Rear Seat Back, 35%Left, Inboard
10	05071705AA	1						*J7	BRACKET AND HINGE, Rear Seat Back, 35%Left, Outboard
11	1BD151D5AA	1						*J7 [D5]	COVER, Rear Seat Back, 35%
	1BD151J3AA	1						*J7 [J3]	
12	1BD121D5AA	1						*J7 [D5]	COVER AND PAD, Cushion, 65%
	1BD121J3AA	1						*J7 [J3]	
13	1BD131D5AA	1						*J7 [D5]	COVER AND PAD, Cushion, 35%
	1BD131J3AA	1						*J7 [J3]	
14									HEADREST, Rear

LIBERTY (KJ)

SERIES LINE  
P = LIMITED J = JEEP - 4WD  
H = SPORT U = JEEP - 4WD (RHD)  
M = RENEGADE T = JEEP - 2WD

BODY  
74 = SPORT UTILITY 4-DR

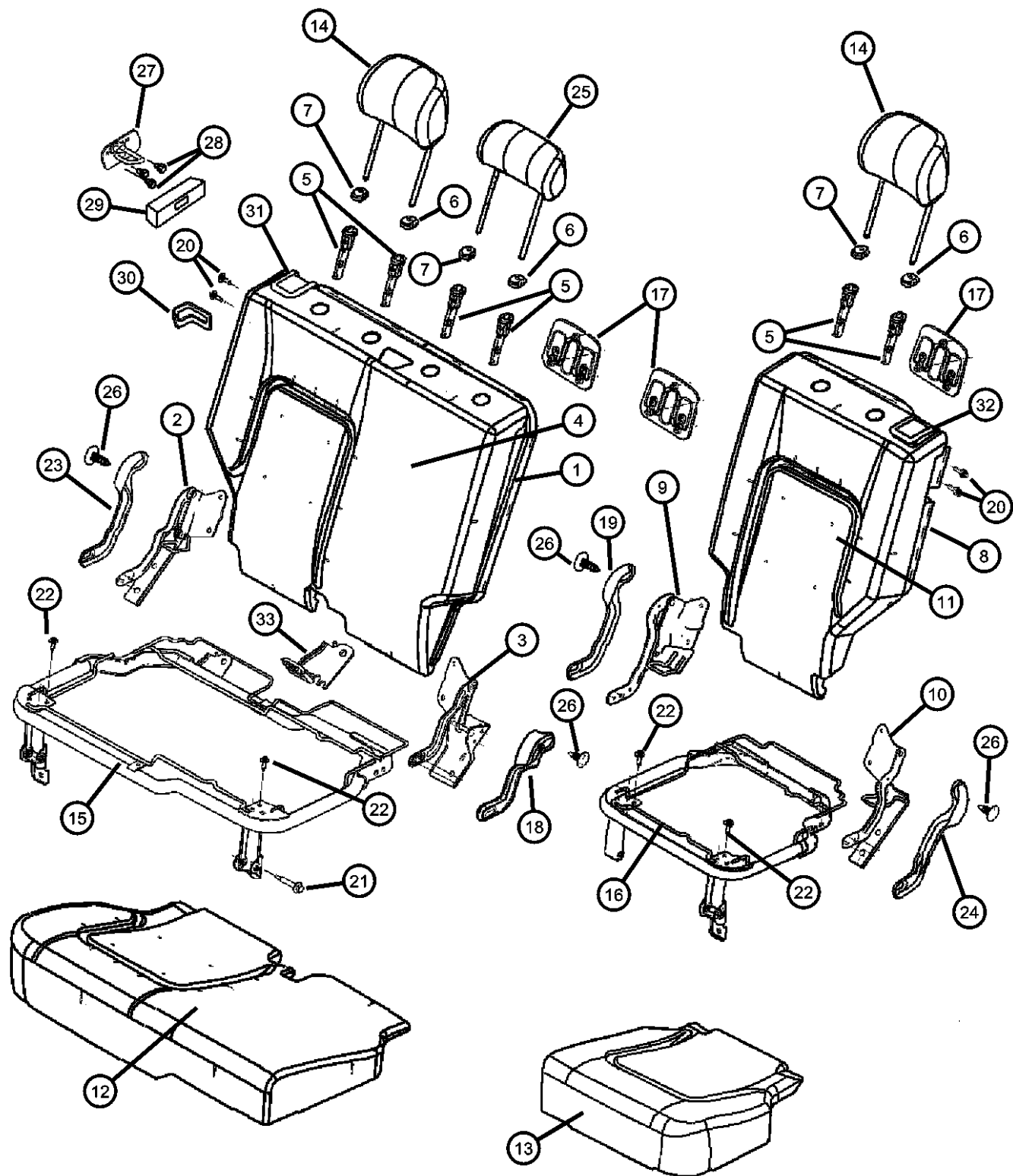
ENGINE  
ED1 = Engine - 2.4L 4 Cyl DOHC 16v SMPI  
EKG = Engine - 3.7L V6  
ENR = Engine - 2.8L 4 Cyl Turbo Diesel  
ENO = 4CYL turbo diesel

TRANSMISSION  
DGQ = Transmission-5-Spd Automatic 5-45RFE  
DG6 = Transmission-4-Spd. Automatic, 42RLE  
DEH = Transmission-6-Speed Manual, NSG370  
DG0 = Transmissions - All Automatic  
DBB = ALL MANUAL TRANSMISSIONS

AR = use ase required - = Non illustrated part

2005 KJ

Rear Seat, Trim Code [J7]  
Figure IKJ-650



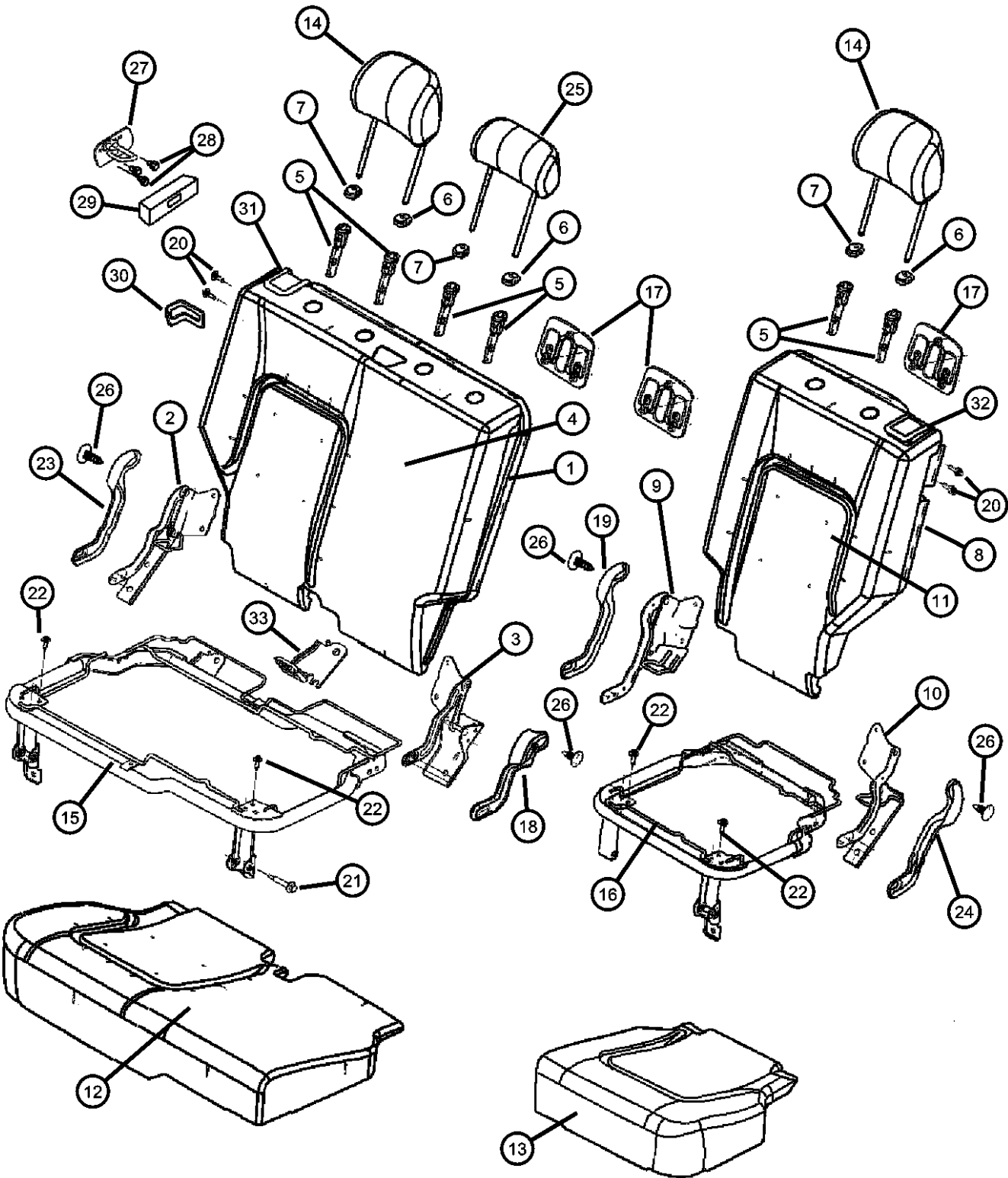
ITEM	PART NUMBER	QTY	LINE	SERIES	BODY	ENGINE	TRANS	TRIM	DESCRIPTION
	1BC971D5AA	2	J, U					*J7	[D5]
	1BC971J3AA	2						*J7	[J3]
15	05072112AA	1						*J7	PANEL, Seat Cushion Base, 65%
16	05072113AA	1						*J7	PANEL, Seat Cushion Base, 35%
17								*J7	BEZEL, TETHER
	0WB44XD-HAA	2						*J7	[D5]
	0WB44ZJ8AA	2						*J7	[J3]
18									COVER, Hinge
	0UZ451D5AA	1						*J7	[D5], Right, Inboard
	0UZ451J3AA	1						*J7	[J3], Right, Inboard
19									COVER, Hinge
	0UZ461D5AA	1						*J7	[D5], Left, Inboard
	0UZ461J3AA	1						*J7	[J3], Left, Inboard
20	05072520AA	2						*J7	BOLT, Pivot
21	05072519AA	1						*J7	BOLT, Seat
22	04761014	8						*J7	BOLT, Cushion To Adjuster
23									COVER, Hinge
	0UZ441D5AA	1						*J7	[D5], Right, Outboard
	0UZ441J3AA	1						*J7	[J3], Right, Outboard
24									COVER, Hinge
	0UZ471D5AA	1						*J7	[D5], Left, Outboard
	0UZ471J3AA	1						*J7	[J3], Left, Outboard
25									HEADREST, Rear
	1BD021D5AA	1						*J7	[D5]
	1BD021J3AA	1						*J7	[J3]
26									PIN, Push
	0WA511D5AA	1						*J7	[D5]
	0WA511J3AA	1						*J7	[J3]
27									STRIKER, Seat Back Latch
	55352816AB	1							Right
	55352817AB	1							Left

**LIBERTY (KJ)**

SERIES	LINE	BODY	ENGINE	TRANSMISSION
P = LIMITED	J = JEEP - 4WD	74 = SPORT UTILITY 4-DR	ED1 = Engine - 2.4L 4 Cyl DOHC 16v SMPI	DGQ = Transmission-5-Spd Automatic 5-45RFE
H = SPORT	U = JEEP - 4WD (RHD)		EKG = Engine - 3.7L V6	DG6 = Transmission-4-Spd. Automatic, 42RLE
M = RENEGADE	T = JEEP - 2WD		ENR = Engine - 2.8L 4 Cyl Turbo Diesel	DEH = Transmission-6-Speed Manual, NSG370
			ENO = 4CYL turbo diesel	DG0 = Transmissions - All Automatic
				DBB = ALL MANUAL TRANSMISSIONS

AR = use ase required - = Non illustrated part

Rear Seat, Trim Code [J7]  
Figure IKJ-650



ITEM	PART NUMBER	QTY	LINE	SERIES	BODY	ENGINE	TRANS	TRIM	DESCRIPTION
28	06501648	6							SCREW, Hex Flange Head, M8x1.25x25.00
29	55352839AC	2							BEZEL, Seat Latch
30									BEZEL, Seat Latch
	0WA92XD-HAA	1						*J7	[D5]
	0WA92ZJ8AA	1						*J7	[J3]
31									CONTROL, SEAT RELEASE, With Cable and Latch
	0XF781D5AB	1						*J7	[D5]
	0XF781J3AB	1						*J7	[J3]
32									CONTROL, SEAT RELEASE, With Latch
	0XF791D5AB	1						*J7	[D5]
	0XF791J3AB	1						*J7	[J3]
33	05134366AA	1						*J7	BRACKET, Child Tether Anchor

LIBERTY (KJ)

SERIES LINE  
P = LIMITED J = JEEP - 4WD  
H = SPORT U = JEEP - 4WD (RHD)  
M = RENEGADE T = JEEP - 2WD

BODY  
74 = SPORT UTILITY 4-DR

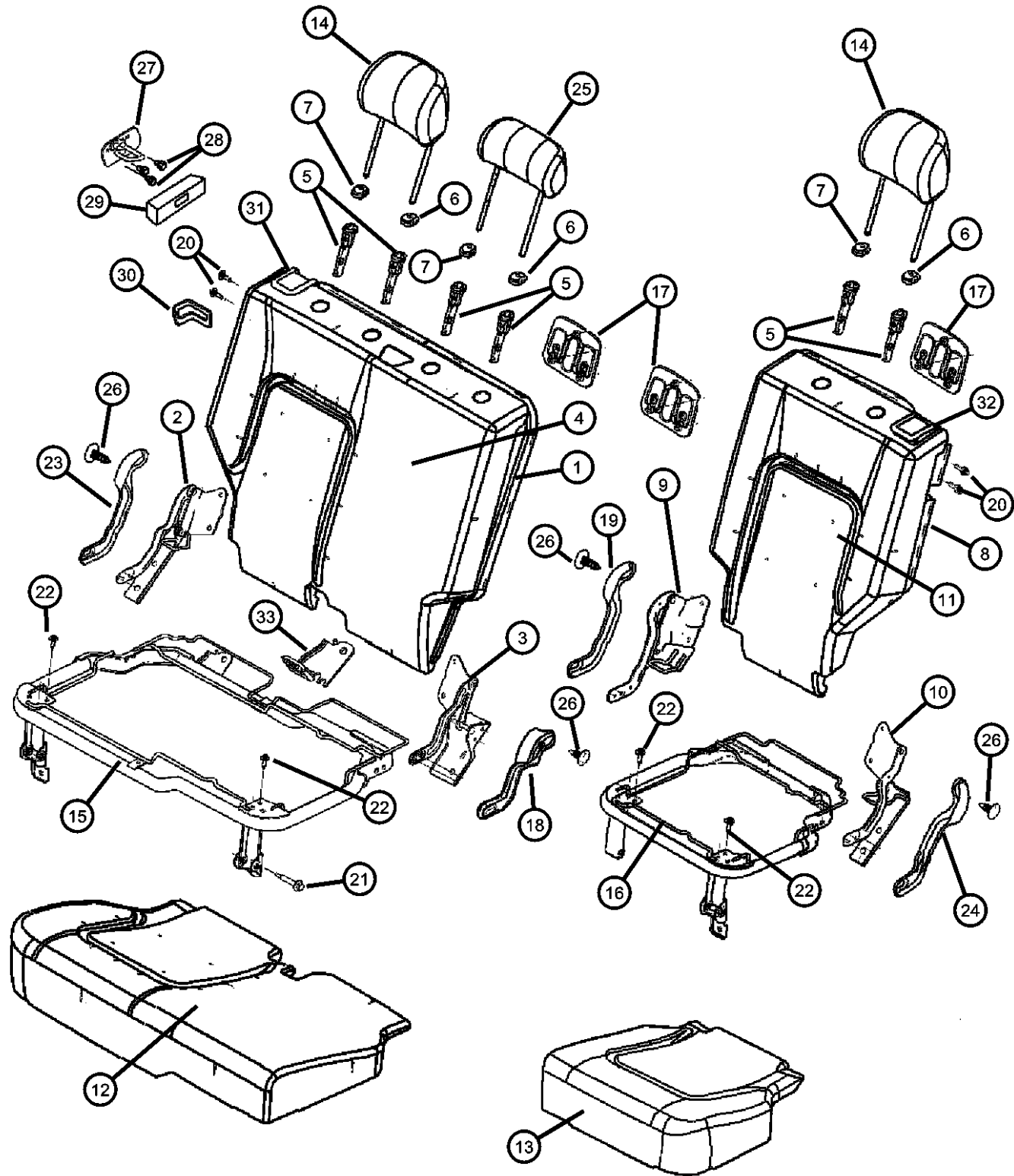
ENGINE  
ED1 = Engine - 2.4L 4 Cyl DOHC 16v SMPI  
EKG = Engine - 3.7L V6  
ENR = Engine - 2.8L 4 Cyl Turbo Diesel  
ENO = 4CYL turbo diesel

TRANSMISSION  
DGQ = Transmission-5-Spd Automatic 5-45RFE  
DG6 = Transmission-4-Spd. Automatic, 42RLE  
DEH = Transmission-6-Speed Manual, NSG370  
DG0 = Transmissions - All Automatic  
DBB = ALL MANUAL TRANSMISSIONS

AR = use ase required - = Non illustrated part

2005 KJ

Rear Seat, Trim Code [L7]  
Figure IKJ-660



ITEM	PART NUMBER	QTY	LINE	SERIES	BODY	ENGINE	TRANS	TRIM	DESCRIPTION
1	1BC981D5AA	1	J, T					*L7 [D5]	SEAT BACK, Rear, 65%
	1BC981J3AA	1	J, T					*L7 [J3]	
	1BD001D5AA	1	J, U					*L7 [D5]	
	1BD001J3AA	1	J, U					*L7 [J3]	
2	05071702AA	1	J, U					*L7 Right, Outboard	BRACKET AND HINGE, Rear Seat Back, 65%
		1	J, T					*L7 Right, Outboard	
3	05071703AA	1	J, U					*L7 Right, Inboard	BRACKET AND HINGE, Rear Seat Back, 65%
		1	J, T					*L7 Right, Inboard	
4	1BC941D5AA	1	J, T					*L7 [D5]	COVER, Rear Seat Back, 65%
	1BC941J3AA	1	J, T					*L7 [J3]	
	1BC961D5AA	1	J, U					*L7 [D5]	
	1BC961J3AA	1	J, U					*L7 [J3]	
5	05066017AA	2	J, T					*L7	SLEEVE, Headrest
		1	J, U					*L7	
6	0WA461D5AA	1	J, U					*L7 [D5]	CAP, Headrest Adjuster, With Button
		1	J, T					*L7 [D5]	
	0WA461J3AA	1	J, U					*L7 [J3]	
		1	J, T					*L7 [J3]	
7	0WA311D5AA	3	J, U					*L7 [D5]	CAP, Headrest Adjuster, Without Button
		1	J, T					*L7 [D5]	
	0WA311J3AA	3	J, U					*L7 [J3]	
		1	J, T					*L7 [J3]	
8								SEAT BACK, Rear, 35%	

LIBERTY (KJ)

SERIES LINE  
P = LIMITED J = JEEP - 4WD  
H = SPORT U = JEEP - 4WD (RHD)  
M = RENEGADE T = JEEP - 2WD

BODY  
74 = SPORT UTILITY 4-DR

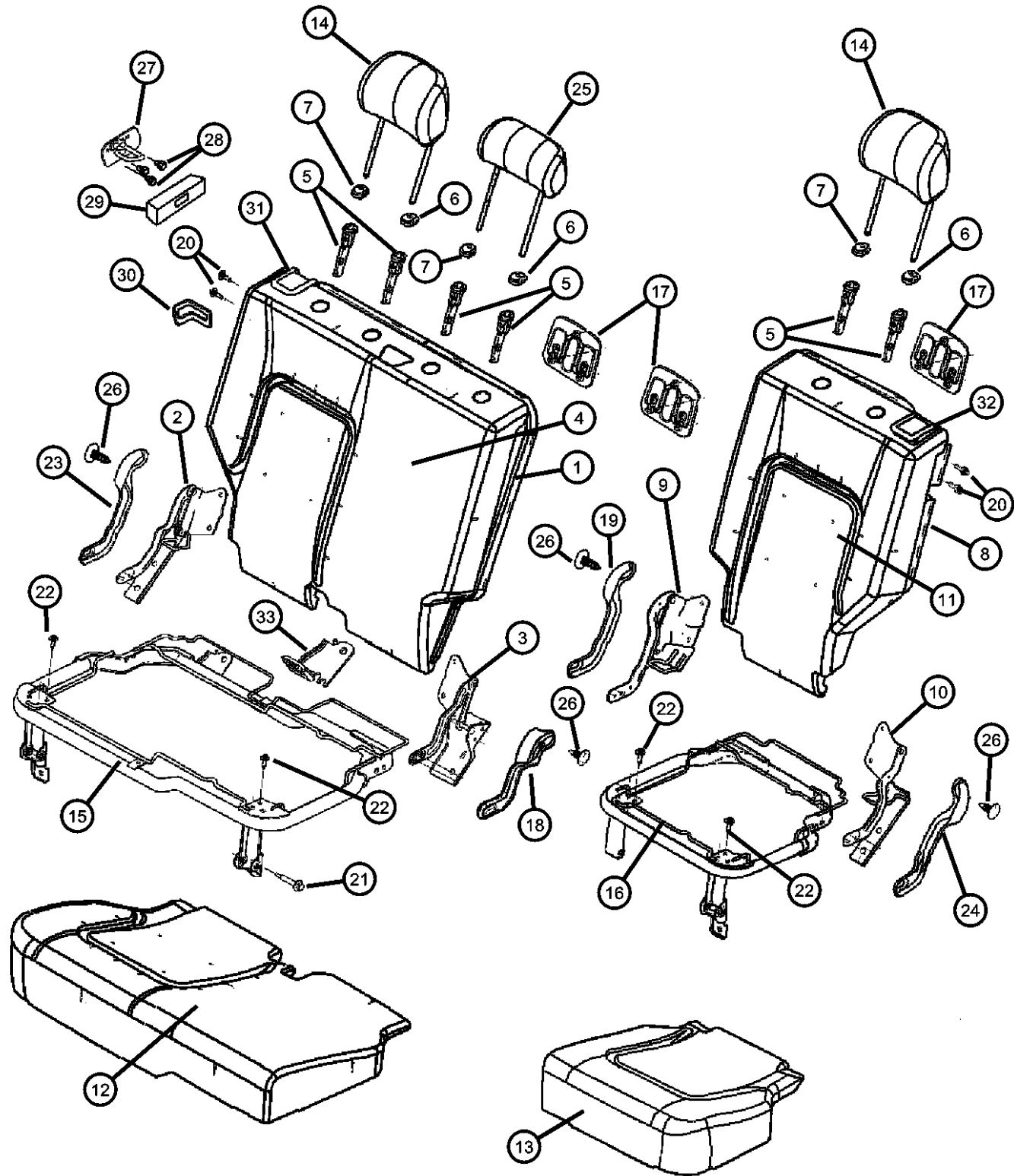
ENGINE  
ED1 = Engine - 2.4L 4 Cyl DOHC 16v SMPI  
EKG = Engine - 3.7L V6  
ENR = Engine - 2.8L 4 Cyl Turbo Diesel  
ENO = 4CYL turbo diesel

TRANSMISSION  
DGQ = Transmission-5-Spd Automatic 5-45RFE  
DG6 = Transmission-4-Spd. Automatic, 42RLE  
DEH = Transmission-6-Speed Manual, NSG370  
DG0 = Transmissions - All Automatic  
DBB = ALL MANUAL TRANSMISSIONS

AR = use ase required - = Non illustrated part

2005 KJ

Rear Seat, Trim Code [L7]  
Figure IKJ-660



ITEM	PART NUMBER	QTY	LINE	SERIES	BODY	ENGINE	TRANS	TRIM	DESCRIPTION
	1BC991D5AA	1	J, T					*L7	[D5]
	1BC991J3AA	1	J, U					*L7	[D5]
	1BC991J3AA	1	J, T					*L7	[J3]
	1BC991J3AA	1	J, U					*L7	[J3]
9									BRACKET AND HINGE, Rear Seat Back, 35%
	05071704AA	1	J, U					*L7	Left, Inboard
	05071704AA	1	J, T					*L7	Left, Inboard
10									BRACKET AND HINGE, Rear Seat Back, 35%
	05071705AA	1	J, U					*L7	Left, Outboard
	05071705AA	1	J, T					*L7	Left, Outboard
11									COVER, Rear Seat Back, 35%
	1BC951D5AA	1	J, T					*L7	[D5]
	1BC951D5AA	1	J, U					*L7	[D5]
	1BC951J3AA	1	J, T					*L7	[J3]
	1BC951J3AA	1	J, U					*L7	[J3]
12									COVER AND PAD, Cushion, 65%
	1BC921D5AA	1	J, U					*L7	[D5]
	1BC921D5AA	1	J, T					*L7	[D5]
	1BC921J3AA	1	J, U					*L7	[J3]
	1BC921J3AA	1	J, T					*L7	[J3]
13									COVER AND PAD, Cushion, 35%
	1BC931D5AA	1	J, U					*L7	[D5]
	1BC931D5AA	1	J, T					*L7	[D5]
	1BC931J3AA	1	J, U					*L7	[J3]
	1BC931J3AA	1	J, T					*L7	[J3]
14									HEADREST, Rear
	1BC851D5AA	2	J, U					*L7	[D5]
	1BC851D5AA	2	J, T					*L7	[D5]
	1BC851J3AA	1	J, T					*L7	[J3]
	1BC851J3AA	1	J, U					*L7	[J3]
15									PANEL, Seat Cushion Base, 65%

LIBERTY (KJ)

SERIES LINE  
P = LIMITED J = JEEP - 4WD  
H = SPORT U = JEEP - 4WD (RHD)  
M = RENEGADE T = JEEP - 2WD

BODY  
74 = SPORT UTILITY 4-DR

ENGINE  
ED1 = Engine - 2.4L 4 Cyl DOHC 16v SMPI  
EKG = Engine - 3.7L V6  
ENR = Engine - 2.8L 4 Cyl Turbo Diesel  
ENO = 4CYL turbo diesel

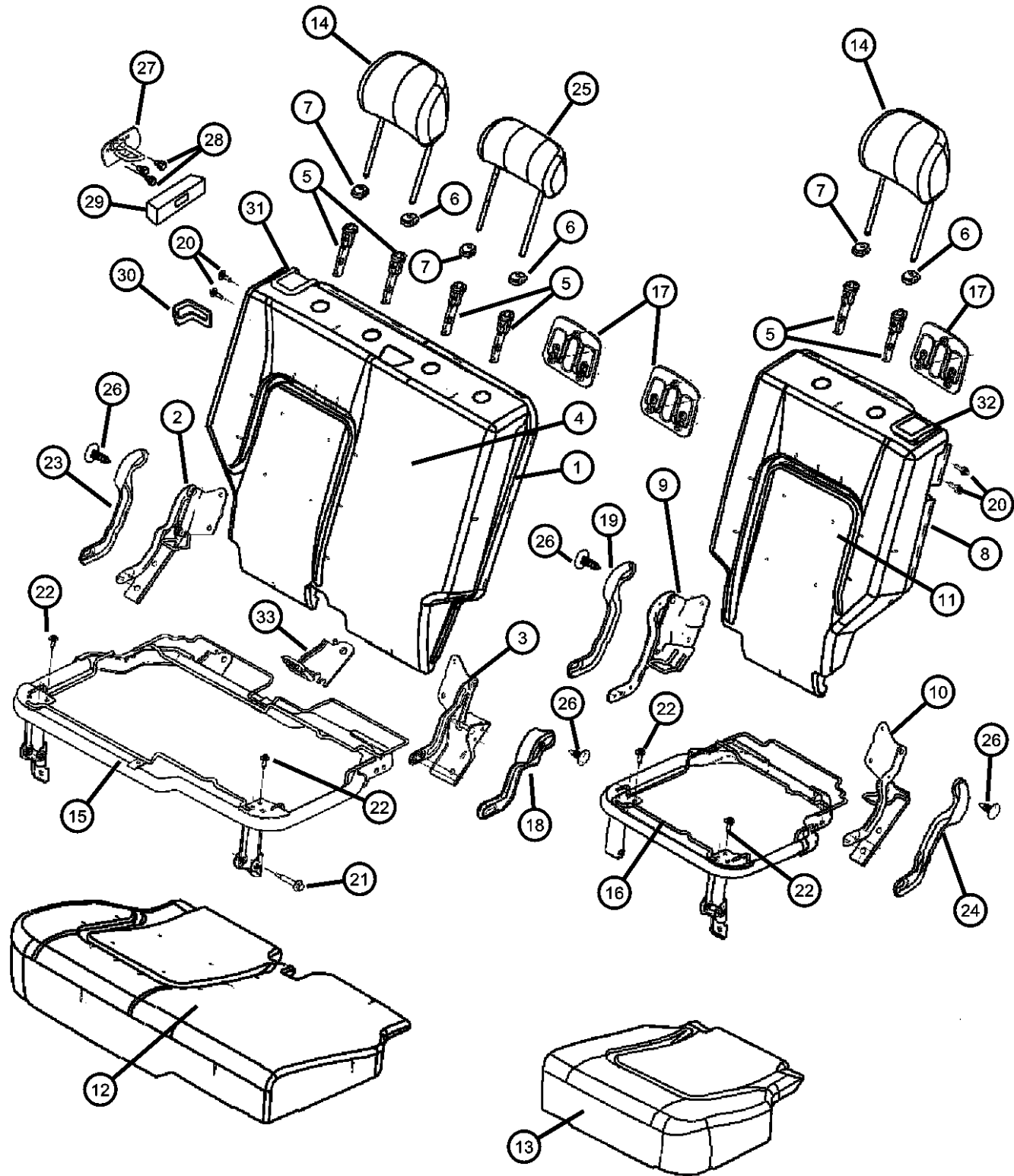
TRANSMISSION  
DGQ = Transmission-5-Spd Automatic 5-45RFE  
DG6 = Transmission-4-Spd. Automatic, 42RLE  
DEH = Transmission-6-Speed Manual, NSG370  
DG0 = Transmissions - All Automatic  
DBB = ALL MANUAL TRANSMISSIONS

AR = use ase required - = Non illustrated part

2005 KJ



Rear Seat, Trim Code [L7]  
Figure IKJ-660



ITEM	PART NUMBER	QTY	LINE	SERIES	BODY	ENGINE	TRANS	TRIM	DESCRIPTION
								*L7	[D5], Right, Outboard
	0UZ441J3AA	1	J, U					*L7	[J3], Right, Outboard
		1	J, T					*L7	[J3], Right, Outboard
24									COVER, Hinge
	0UZ471D5AA	1	J, U					*L7	[D5], Left, Outboard
		1	J, T					*L7	[D5], Left, Outboard
	0UZ471J3AA	1	J, U					*L7	[J3], Left, Outboard
		1	J, T					*L7	[J3], Left, Outboard
25									HEADREST, Rear
	1BC811D5AA	1	J, U					*L7	[D5]
	1BC811J3AA	1	J, U					*L7	[J3]
26									PIN, Push
	0WA511D5AA	1	J, T					*L7	[D5]
		1	J, U					*L7	[D5]
	0WA511J3AA	1	J, T					*L7	[J3]
		1	J, U					*L7	[J3]
27									STRIKER, Seat Back Latch
	55352816AB	1							Right
	55352817AB	1							Left
28	06501648	6							SCREW, Hex Flange Head, M8x1.25x25.00
29	55352839AC	2							BEZEL, Seat Latch
30									BEZEL, Seat Latch
	0WA92XD-HAA	1	J, U					*L7	[D5]
		1	J, T					*L7	[D5]
	0WA92ZJ8AA	1	J, U					*L7	[J3]
		1	J, T					*L7	[J3]
31									CONTROL, SEAT RELEASE, With Cable and Latch
	0XF781D5AB	1	J, U					*L7	[D5]
		1	J, T					*L7	[D5]
	0XF781J3AB	1	J, U					*L7	[J3]

LIBERTY (KJ)

SERIES LINE  
P = LIMITED J = JEEP - 4WD  
H = SPORT U = JEEP - 4WD (RHD)  
M = RENEGADE T = JEEP - 2WD

BODY  
74 = SPORT UTILITY 4-DR

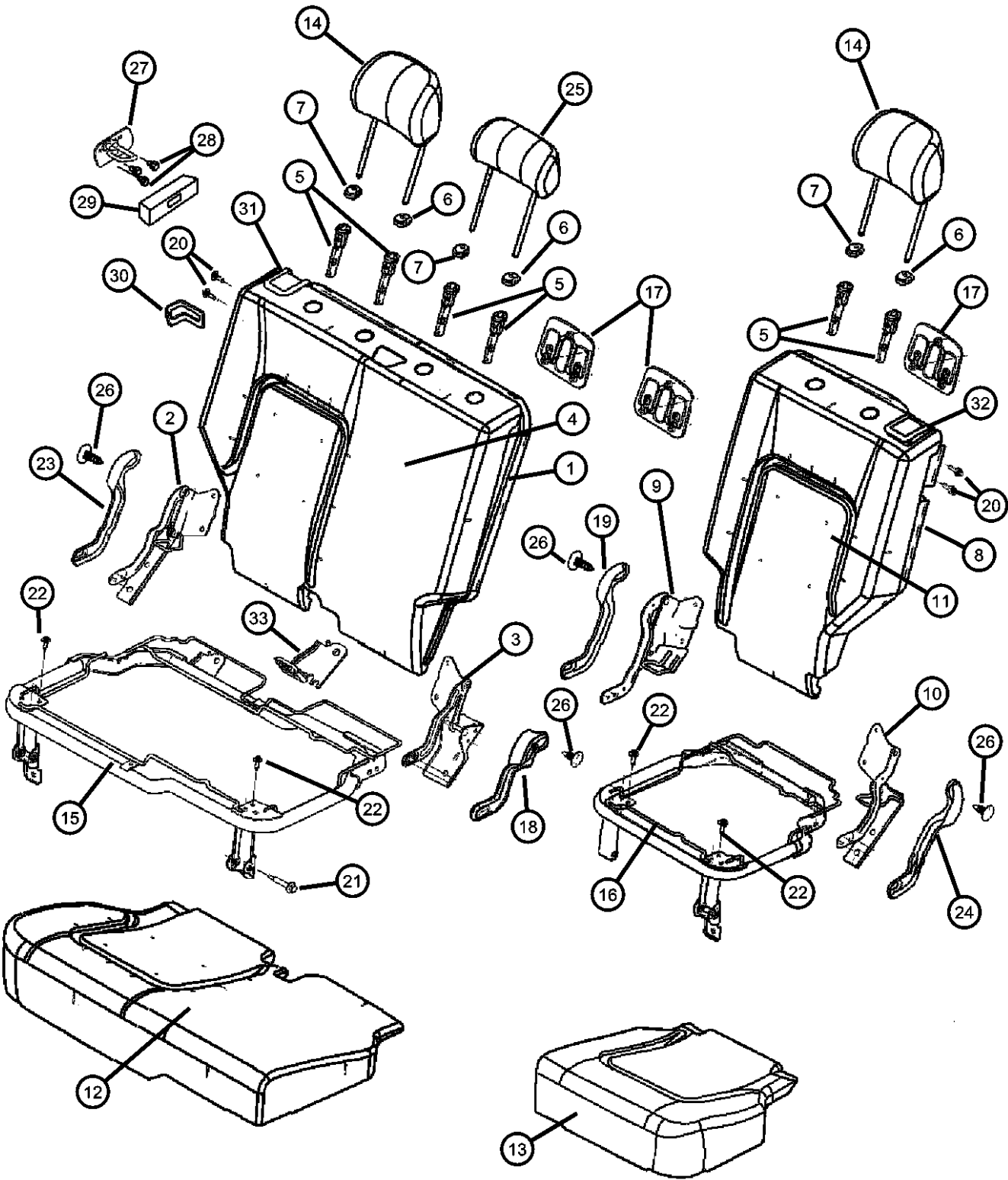
ENGINE  
ED1 = Engine - 2.4L 4 Cyl DOHC 16v SMPI  
EKG = Engine - 3.7L V6  
ENR = Engine - 2.8L 4 Cyl Turbo Diesel  
ENO = 4CYL turbo diesel

TRANSMISSION  
DGQ = Transmission-5-Spd Automatic 5-45RFE  
DG6 = Transmission-4-Spd. Automatic, 42RLE  
DEH = Transmission-6-Speed Manual, NSG370  
DG0 = Transmissions - All Automatic  
DBB = ALL MANUAL TRANSMISSIONS

AR = use ase required - = Non illustrated part

2005 KJ

Rear Seat, Trim Code [L7]  
Figure IKJ-660



ITEM	PART NUMBER	QTY	LINE	SERIES	BODY	ENGINE	TRANS	TRIM	DESCRIPTION
32		1	J, T					*L7 [J3]	CONTROL, SEAT RELEASE, With Latch
	0XF791D5AB	1	J, U					*L7 [D5]	
		1	J, T					*L7 [D5]	
	0XF791J3AB	1	J, U					*L7 [J3]	
		1	J, T					*L7 [J3]	
33		1	J, U					*L7	BRACKET, Child Tether Anchor
	05134366AA	1	J, U					*L7	
		1	J, T					*L7	

LIBERTY (KJ)

SERIES LINE  
P = LIMITED J = JEEP - 4WD  
H = SPORT U = JEEP - 4WD (RHD)  
M = RENEGADE T = JEEP - 2WD

BODY  
74 = SPORT UTILITY 4-DR

ENGINE  
ED1 = Engine - 2.4L 4 Cyl DOHC 16v SMPI  
EKG = Engine - 3.7L V6  
ENR = Engine - 2.8L 4 Cyl Turbo Diesel  
ENO = 4CYL turbo diesel

TRANSMISSION  
DGQ = Transmission-5-Spd Automatic 5-45RFE  
DG6 = Transmission-4-Spd. Automatic, 42RLE  
DEH = Transmission-6-Speed Manual, NSG370  
DG0 = Transmissions - All Automatic  
DBB = ALL MANUAL TRANSMISSIONS

AR = use ase required - = Non illustrated part

2005 KJ



**Rear Seat, Trim Code [A5]  
Figure IKJ-670**

ITEM	PART NUMBER	QTY	LINE	SERIES	BODY	ENGINE	TRANS	TRIM	DESCRIPTION
1									SEAT BACK, Rear, 65%
	1BC741D5AA	1						*A5 [D5]	
	1BC741J3AA	1						*A5 [J3]	
2	05071702AA	1						*A5	BRACKET AND HINGE, Rear Seat Back, 65%Right, Outboard
3	05071703AA	1						*A5	BRACKET AND HINGE, Rear Seat Back, 65%Right, Inboard
4									COVER, Rear Seat Back, 65%
	1BC781D5AA	1						*A5 [D5]	
	1BC781J3AA	1						*A5 [J3]	
5	05066017AA	2						*A5	SLEEVE, Headrest
6									CAP, Headrest Adjuster, With Button
	0WA461D5AA	1						*A5 [D5]	
	0WA461J3AA	1						*A5 [J3]	
7									CAP, Headrest Adjuster, Without Button
	0WA311D5AA	1						*A5 [D5]	
	0WA311J3AA	1						*A5 [J3]	
8									SEAT BACK, Rear, 35%
	1BC751J3AA	1						*A5 [J3]	
	1BC751D5AA	1						*A5 [D5]	
9	05071704AA	1						*A5	BRACKET AND HINGE, Rear Seat Back, 35%Left, Inboard
10	05071705AA	1						*A5	BRACKET AND HINGE, Rear Seat Back, 35%Left, Outboard
11									COVER, Rear Seat Back, 35%
	1BC791D5AA	1						*A5 [D5]	
	1BC791J3AA	1						*A5 [J3]	
12									COVER AND PAD, Cushion, 65%
	1BC821D5AA	1						*A5 [D5]	
	1BC821J3AA	1						*A5 [J3]	
13									COVER AND PAD, Cushion, 35%
	1BC831D5AA	1						*A5 [D5]	
	1BC831J3AA	1						*A5 [J3]	
14									HEADREST, Rear

**LIBERTY (KJ)**

SERIES            LINE  
P = LIMITED      J = JEEP - 4WD  
H = SPORT        U = JEEP - 4WD (RHD)  
M = RENEGADE    T = JEEP - 2WD

BODY  
74 = SPORT UTILITY 4-DR

ENGINE  
ED1 = Engine - 2.4L 4 Cyl DOHC 16v SMPI  
EKG = Engine - 3.7L V6  
ENR = Engine - 2.8L 4 Cyl Turbo Diesel  
ENO = 4CYL turbo diesel

TRANSMISSION  
DGQ = Transmission-5-Spd Automatic 5-45RFE  
DG6 = Transmission-4-Spd. Automatic, 42RLE  
DEH = Transmission-6-Speed Manual, NSG370  
DG0 = Transmissions - All Automatic  
DBB = ALL MANUAL TRANSMISSIONS

AR = use ase required - = Non illustrated part

2005 KJ

**Rear Seat, Trim Code [A5]  
Figure IKJ-670**

ITEM	PART NUMBER	QTY	LINE	SERIES	BODY	ENGINE	TRANS	TRIM	DESCRIPTION
	1BC681D5AA	1						*A5 [D5]	
	1BC681J3AA	1						*A5 [J3]	
15	05072112AA	1						*A5	PANEL, Seat Cushion Base, 65%
16	05072113AA	1						*A5	PANEL, Seat Cushion Base, 35%
17									BEZEL, TETHER
	0WB44XD-HAA	2						*A5 [D5]	
	0WB44ZJ8AA	2						*A5 [J3]	
18									COVER, Hinge, Right Inboard
	0UZ451D5AA	1						*A5 [D5]	
	0UZ451J3AA	1						*A5 [J3]	
19									COVER, Hinge, Left Inboard
	0UZ461D5AA	1						*A5 [D5]	
	0UZ461J3AA	1						*A5 [J3]	
20	05072520AA	2						*A5	BOLT, Pivot
21	05072519AA	1						*A5	BOLT, Seat
22	04761014	1						*A5	BOLT, Cushion To Adjuster
23									COVER, Hinge, Right Outboard
	0UZ441D5AA	1						*A5 [D5]	Right Outboard
	0UZ441J3AA	1						*A5 [J3]	Right Outboard
24									COVER, Hinge, Left Outboard
	0UZ471D5AA	1						*A5 [D5]	Left Outboard
	0UZ471J3AA	1						*A5 [J3]	Left Outboard
25									PIN, Push
	0WA511D5AA	2						*A5 [D5]	
	0WA511J3AA	2						*A5 [J3]	
26									STRIKER, Seat Back Latch
	55352816AB	1							Right
	55352817AB	1							Left
27	06501648	6							SCREW, Hex Flange Head, M8x1.25x25.00
28	55352839AC	2							BEZEL, Seat Latch
29									BEZEL, Seat Latch

**LIBERTY (KJ)**

SERIES      LINE  
P = LIMITED      J = JEEP - 4WD  
H = SPORT      U = JEEP - 4WD (RHD)  
M = RENEGADE      T = JEEP - 2WD

BODY  
74 = SPORT UTILITY 4-DR

ENGINE  
ED1 = Engine - 2.4L 4 Cyl DOHC 16v SMPI  
EKG = Engine - 3.7L V6  
ENR = Engine - 2.8L 4 Cyl Turbo Diesel  
ENO = 4CYL turbo diesel

TRANSMISSION  
DGQ = Transmission-5-Spd Automatic 5-45RFE  
DG6 = Transmission-4-Spd. Automatic, 42RLE  
DEH = Transmission-6-Speed Manual, NSG370  
DG0 = Transmissions - All Automatic  
DBB = ALL MANUAL TRANSMISSIONS

AR = use ase required - = Non illustrated part

2005 KJ

Rear Seat, Trim Code [A5]  
Figure IKJ-670

ITEM	PART NUMBER	QTY	LINE	SERIES	BODY	ENGINE	TRANS	TRIM	DESCRIPTION
	0WA921D5AA	1						*A5	[D5]
	0WA92ZJ8AA	1						*A5	[J3]
30									CONTROL, SEAT RELEASE, With Cable and Latch
	0XF781D5AB	1						*A5	[D5]
	0XF781J3AB	1						*A5	[J3]
31									CONTROL, SEAT RELEASE, With Latch
	0XF791D5AB	1						*A5	[D5]
	0XF791J3AB	1						*A5	[J3]
32	05134366AA	1						*A5	BRACKET, Child Tether Anchor

LIBERTY (KJ)

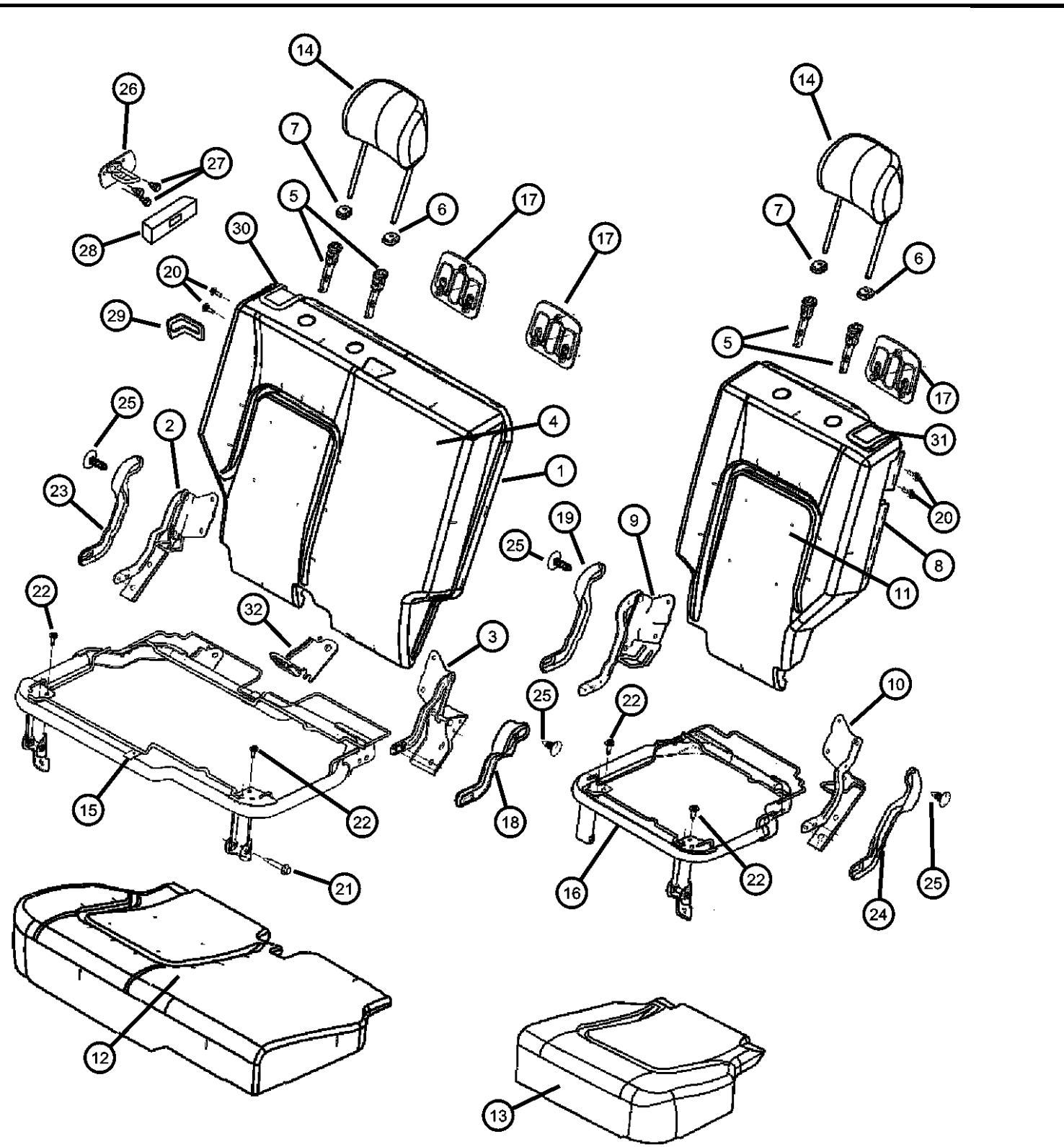
SERIES            LINE  
P = LIMITED      J = JEEP - 4WD  
H = SPORT        U = JEEP - 4WD (RHD)  
M = RENEGADE    T = JEEP - 2WD

BODY  
74 = SPORT UTILITY 4-DR

ENGINE  
ED1 = Engine - 2.4L 4 Cyl DOHC 16v SMPI  
EKG = Engine - 3.7L V6  
ENR = Engine - 2.8L 4 Cyl Turbo Diesel  
ENO = 4CYL turbo diesel

TRANSMISSION  
DGQ = Transmission-5-Spd Automatic 5-45RFE  
DG6 = Transmission-4-Spd. Automatic, 42RLE  
DEH = Transmission-6-Speed Manual, NSG370  
DG0 = Transmissions - All Automatic  
DBB = ALL MANUAL TRANSMISSIONS

Rear Seat, Trim Code [M7]  
Figure IKJ-680

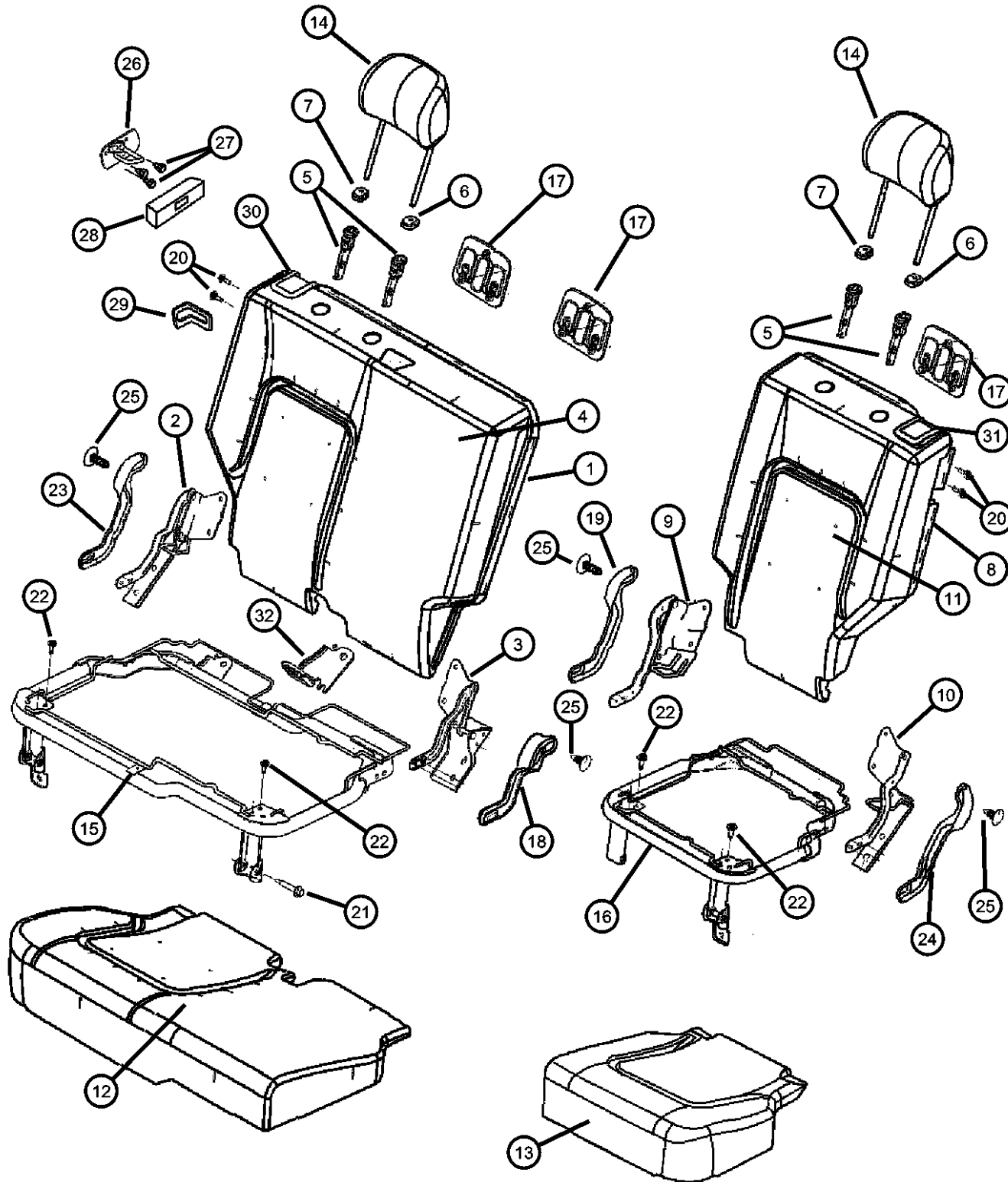


ITEM	PART NUMBER	QTY	LINE	SERIES	BODY	ENGINE	TRANS	TRIM	DESCRIPTION
1	1BC761D5AA	1						*M7 [D5]	SEAT BACK, Rear, 65%
	1BC761J3AA	1						*M7 [J3]	
2	05071702AA	1						*M7	BRACKET AND HINGE, Rear Seat Back, 65%Right, Outboard
3	05071703AA	1						*M7	BRACKET AND HINGE, Rear Seat Back, 65%Right, Inboard
4	1BC801D5AA	1						*M7 [D5]	COVER, Rear Seat Back, 65%
	1BC801J3AA	1						*M7 [J3]	
5	05066017AA	2						*M7	SLEEVE, Headrest
6	0WA491D5AA	1						*M7 [D5]	CAP, Headrest Adjuster, With Button
	0WA491J3AA	1						*M7 [J3]	
7	0WA501D5AA	1						*M7 [D5]	CAP, Headrest Adjuster, Without Button
	0WA501J3AA	1						*M7 [J3]	
8	1BC751D5AA	1						*M7 [D5]	SEAT BACK, Rear, 35%
	1BC751J3AA	1						*M7 [J3]	
9	05071704AA	1						*M7	BRACKET AND HINGE, Rear Seat Back, 35%Left, Inboard
10	05071705AA	1						*M7	BRACKET AND HINGE, Rear Seat Back, 35%Left, Outboard
11	1BC791D5AA	1						*M7 [D5]	COVER, Rear Seat Back, 35%
	1BC791J3AA	1						*M7 [J3]	
12	1BC821D5AA	1						*M7 [D5]	COVER AND PAD, Cushion, 65%
	1BC821J3AA	1						*M7 [J3]	
13	1BC831D5AA	1						*M7 [D5]	COVER AND PAD, Cushion, 35%
	1BC831J3AA	1						*M7 [J3]	
14									HEADREST, Rear

**LIBERTY (KJ)**  
 SERIES LINE BODY ENGINE TRANSMISSION  
 P = LIMITED J = JEEP - 4WD 74 = SPORT UTILITY 4-DR ED1 = Engine - 2.4L 4 Cyl DOHC 16v SMPI DGQ = Transmission-5-Spd Automatic 5-45RFE  
 H = SPORT U = JEEP - 4WD (RHD) EKG = Engine - 3.7L V6 DG6 = Transmission-4-Spd. Automatic, 42RLE  
 M = RENEGADE T = JEEP - 2WD ENR = Engine - 2.8L 4 Cyl Turbo Diesel DEH = Transmission-6-Speed Manual, NSG370  
 ENO = 4CYL turbo diesel DG0 = Transmissions - All Automatic DBB = ALL MANUAL TRANSMISSIONS

AR = use ase required - = Non illustrated part

Rear Seat, Trim Code [M7]  
Figure IKJ-680



ITEM	PART NUMBER	QTY	LINE	SERIES	BODY	ENGINE	TRANS	TRIM	DESCRIPTION
	1BC681D5AA	1						*M7 [D5]	
	1BC681J3AA	1						*M7 [J3]	
15	05072112AA	1						*M7	PANEL, Seat Cushion Base, 65%
16	05072113AA	1						*M7	PANEL, Seat Cushion Base, 35%
17									BEZEL, TETHER
	0WB44XD-HAA	2						*M7 [D5]	
	0WB44ZJ8AA	2						*M7 [J3]	
18									COVER, Hinge, Right Inboard
	0UZ451D5AA	1						*M7 [D5]	
	0UZ451J3AA	1						*M7 [J3]	
19									COVER, Hinge, Left Inboard
	0UZ461D5AA	1						*M7 [D5]	
	0UZ461J3AA	1						*M7 [J3]	
20	05072520AA	2						*M7	BOLT, Pivot
21	05072519AA	1						*M7	BOLT, Seat
22	04761014	1						*M7	BOLT, Cushion To Adjuster
23									COVER, Hinge, Right Outboard
	0UZ441D5AA	1						*M7 [D5]	
	0UZ441J3AA	1						*M7 [J3]	
24									COVER, Hinge, Left Outboard
	0UZ471D5AA	1						*M7 [D5]	
	0UZ471J3AA	1						*M7 [J3]	
25									PIN, Push
	0WA511D5AA	2						*M7 [D5]	
	0WA511J3AA	2						*M7 [J3]	
26									STRIKER, Seat Back Latch
	55352816AB	1							Right
	55352817AB	1							Left
27	06501648	6							SCREW, Hex Flange Head, M8x1.25x25.00
28	55352839AC	2							BEZEL, Seat Latch
29									BEZEL, Seat Latch

LIBERTY (KJ)

SERIES LINE  
P = LIMITED J = JEEP - 4WD  
H = SPORT U = JEEP - 4WD (RHD)  
M = RENEGADE T = JEEP - 2WD

BODY  
74 = SPORT UTILITY 4-DR

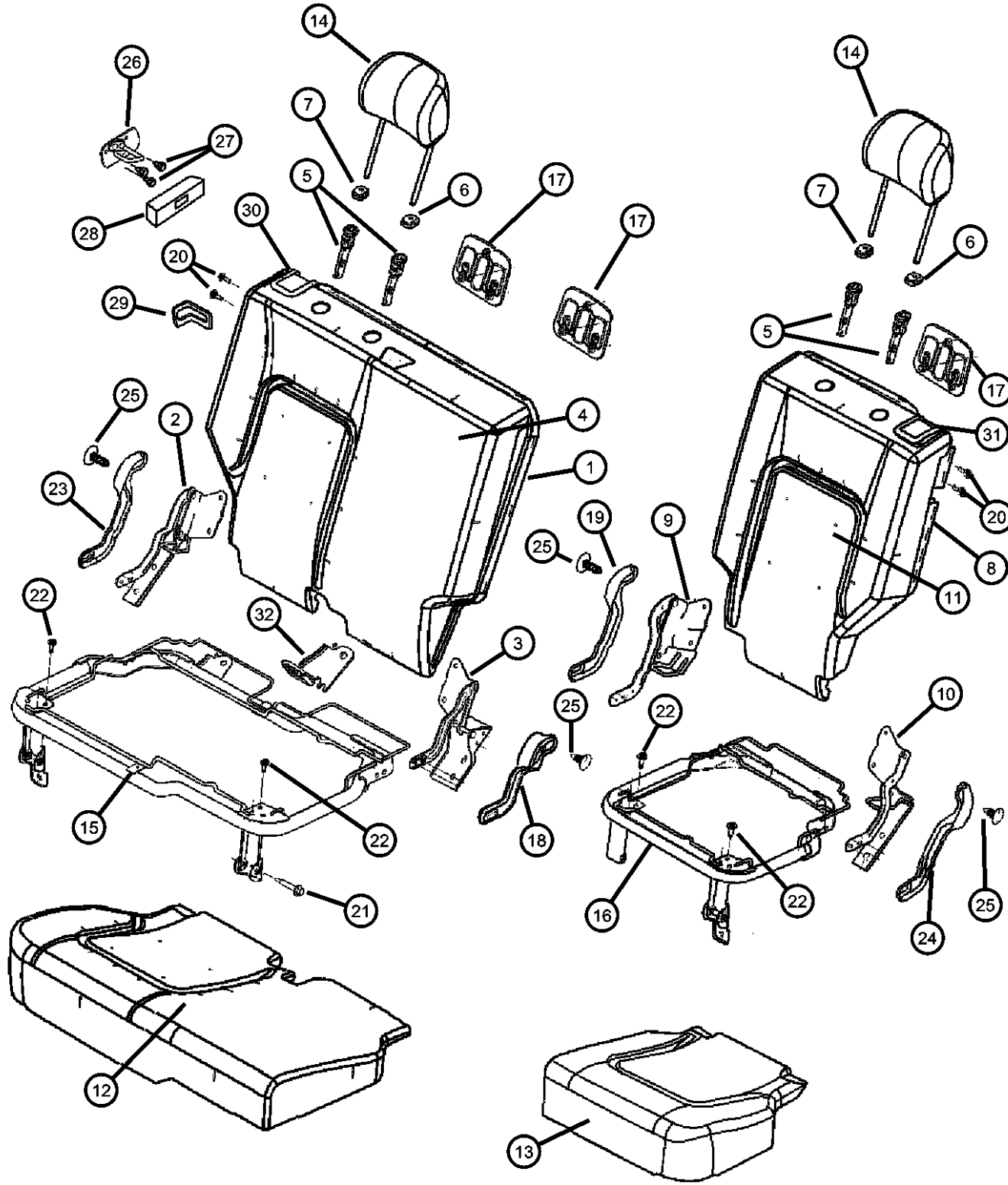
ENGINE  
ED1 = Engine - 2.4L 4 Cyl DOHC 16v SMPI  
EKG = Engine - 3.7L V6  
ENR = Engine - 2.8L 4 Cyl Turbo Diesel  
ENO = 4CYL turbo diesel

TRANSMISSION  
DGQ = Transmission-5-Spd Automatic 5-45RFE  
DG6 = Transmission-4-Spd. Automatic, 42RLE  
DEH = Transmission-6-Speed Manual, NSG370  
DG0 = Transmissions - All Automatic  
DBB = ALL MANUAL TRANSMISSIONS

AR = use ase required - = Non illustrated part

2005 KJ

Rear Seat, Trim Code [M7]  
Figure IKJ-680



ITEM	PART NUMBER	QTY	LINE	SERIES	BODY	ENGINE	TRANS	TRIM	DESCRIPTION
	0WA921D5AA	1						*M7	[D5]
	0WA92ZJ8AA	1						*M7	[J3]
30									CONTROL, SEAT RELEASE, With Cable and Latch
	0XF781D5AB	1						*M7	[D5]
	0XF781J3AB	1						*M7	[J3]
31									CONTROL, SEAT RELEASE, With Latch
	0XF791D5AB	1						*M7	[D5]
	0XF791J3AB	1						*M7	[J3]
32									BRACKET, Child Tether Anchor
	05134366AA	1						*A5	
		1						*M7	

LIBERTY (KJ)

SERIES LINE  
P = LIMITED J = JEEP - 4WD  
H = SPORT U = JEEP - 4WD (RHD)  
M = RENEGADE T = JEEP - 2WD

BODY  
74 = SPORT UTILITY 4-DR

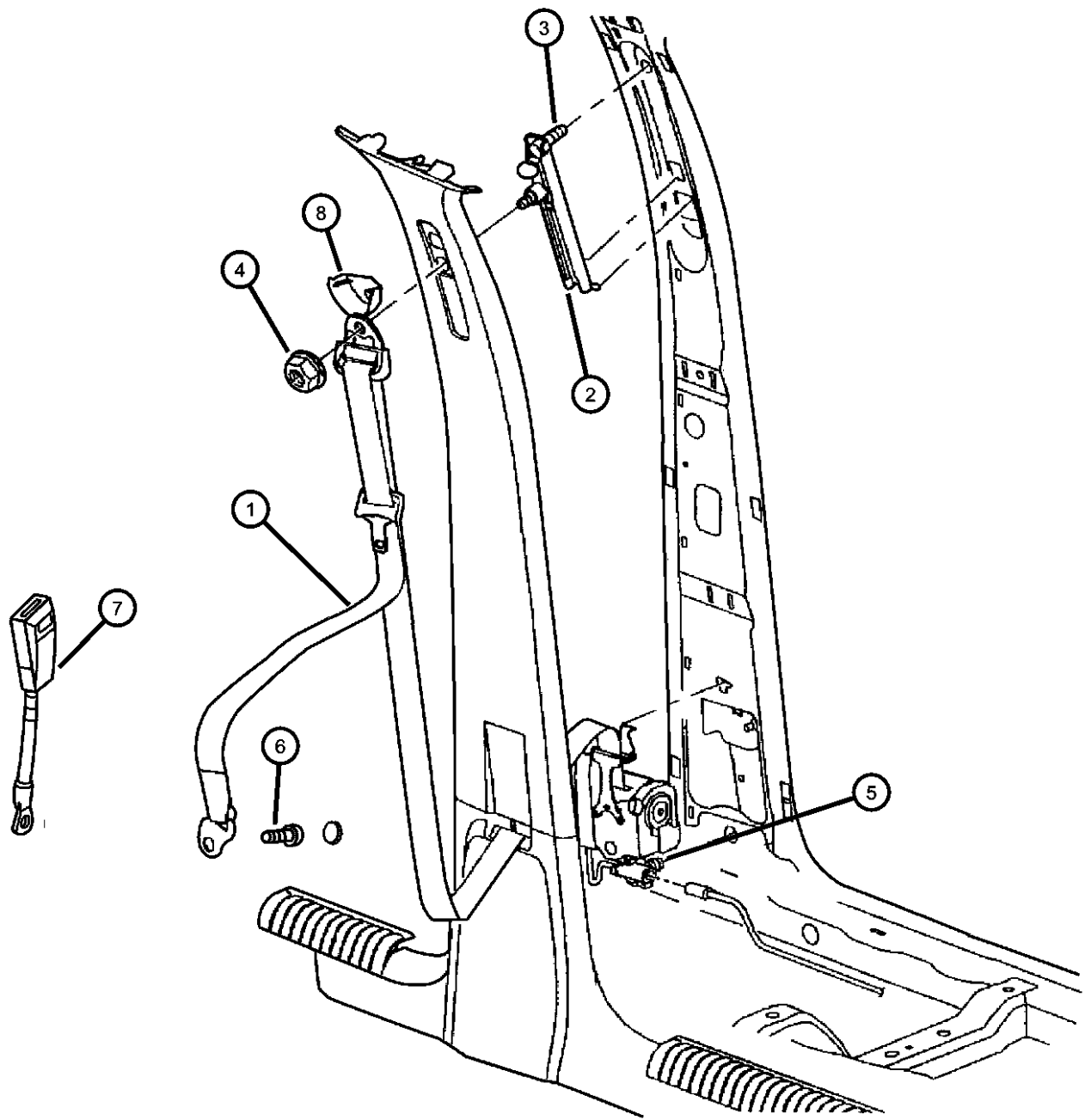
ENGINE  
ED1 = Engine - 2.4L 4 Cyl DOHC 16v SMPI  
EKG = Engine - 3.7L V6  
ENR = Engine - 2.8L 4 Cyl Turbo Diesel  
ENO = 4CYL turbo diesel

TRANSMISSION  
DGQ = Transmission-5-Spd Automatic 5-45RFE  
DG6 = Transmission-4-Spd. Automatic, 42RLE  
DEH = Transmission-6-Speed Manual, NSG370  
DG0 = Transmissions - All Automatic  
DBB = ALL MANUAL TRANSMISSIONS

AR = use ase required - = Non illustrated part

2005 KJ

Seat Belts, Front  
Figure IKJ-710



ITEM	PART NUMBER	QTY	LINE	SERIES	BODY	ENGINE	TRANS	TRIM	DESCRIPTION
1									SEAT BELT, Front Outer
	5GZ061X9AN	1	J, U					*O0	Right, Export
	5GZ071X9AJ	1	J, U					*O0	Left, Export
	5HG331D5AL	1	J, T					*O0	[DB, D5], Left
	5HG331J3AL	1	J, T					*O0	[J1], Left
	5HG341D5AJ	1	J, T					*O0	[DB, D5], Mexico, Right
	5HG341J3AJ	1	J, T					*O0	[J1], Mexico, Right
	5JL401D5AG	1	J, T					*O0	[DB, D5], Right
	5JL401J3AG	1	J, T					*O0	[J1], Right
2	55315033AC	2							ADJUSTER, Seat Belt Turning Loop
3	06506475AA	2							BOLT, Seat Belt
4	06506002AA	2							NUT, M10x1.5
5	06505867AA	2							SCREW, SEAT BELT
6									BOLT, Seat Belt
	06507968AA	1	J, T					*O0	
		1	J, U					*O0	
7									SEAT BELT, Front Inner
	5JW101D5AA	1	J, T					*DL	[DB], Domestic, Passenger
		1	J, T					*DL	[DB], Mexico, Passenger
		1	J, T					*N5	[D5], Passenger
		1	J, T					*L7	[D5], Passenger
		1						*B5	[D5], Passenger
		1						*A5	[D5], Passenger
	5JW101J3AA	1	J, T					*DL	[J1], Domestic, Passenger
		1	J, T					*DL	[J1], Mexico, Passenger
		1	J, T					*N5	[J3], Passenger
		1	J, T					*L7	[J3], Passenger
		1						*B5	[J3], Passenger
		1						*A5	[J3], Passenger
	5JW771D5AA	1	J, T					*DL	[DB], Domestic, Driver
		1	J, T					*DL	[DB], Mexico, Driver
		1	J, T					*N5	[D5], Driver

**LIBERTY (KJ)**  
 SERIES            LINE  
 P = LIMITED      J = JEEP - 4WD  
 H = SPORT        U = JEEP - 4WD (RHD)  
 M = RENEGADE    T = JEEP - 2WD

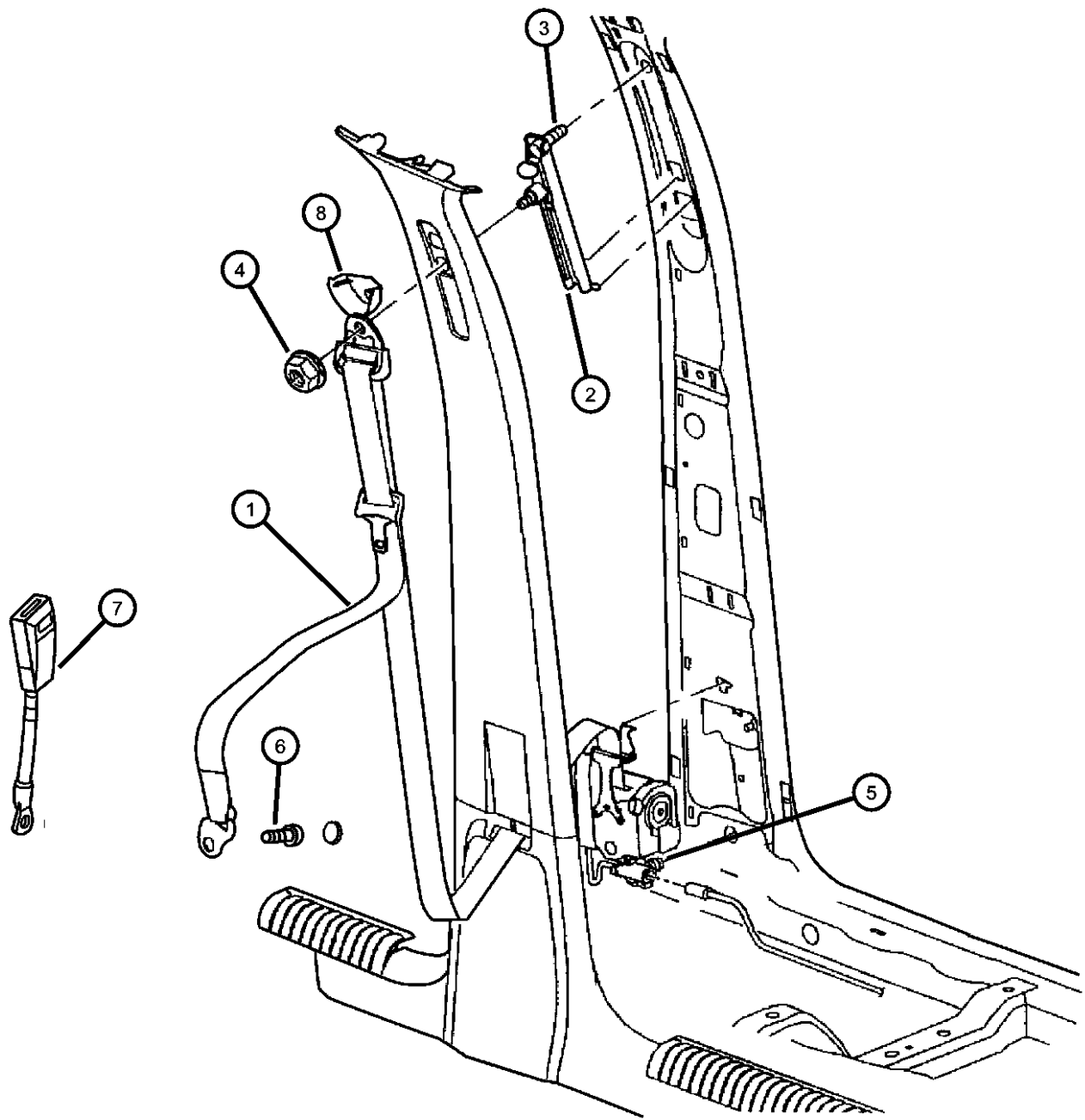
**BODY**  
 74 = SPORT UTILITY 4-DR

**ENGINE**  
 ED1 = Engine - 2.4L 4 Cyl DOHC 16v SMPI  
 EKG = Engine - 3.7L V6  
 ENR = Engine - 2.8L 4 Cyl Turbo Diesel  
 ENO = 4CYL turbo diesel

**TRANSMISSION**  
 DGQ = Transmission-5-Spd Automatic 5-45RFE  
 DG6 = Transmission-4-Spd. Automatic, 42RLE  
 DEH = Transmission-6-Speed Manual, NSG370  
 DG0 = Transmissions - All Automatic  
 DBB = ALL MANUAL TRANSMISSIONS

AR = use ase required - = Non illustrated part

Seat Belts, Front  
Figure IKJ-710



ITEM	PART NUMBER	QTY	LINE	SERIES	BODY	ENGINE	TRANS	TRIM	DESCRIPTION
		1	J, T					*L7	[D5], Driver
		1						*B5	[D5], Driver
		1						*A5	[D5], Driver
	5JW771J3AA	1	J, T					*DL	[J1], Mexico, Driver
		1	J, T					*N5	[J3], Driver
		2	J, T					*L7	[J3], Driver
		1						*B5	[J3], Driver
		1	J, T					*DL	[J1], Domestic, Driver
		1						*A5	[J3], Driver
	5JW771X9AA	2	J, U					*DL	[DB, J1], Export, Driver and Passenger
		2	J, U					*B7	Driver and Passenger
		2	J, U					*L7	[D5, J3], Driver and Passenger
		2						*J7	[D5, J3], Export, Driver and Passenger
		2						*M7	[D5], Driver and Passenger
		2						*M7	[J3], Driver and Passenger
8	0ZL811X9AA	1	J, U					*O0	COVER, Seat Belt Turning Loop
-9	05086227AA	1	J, U					*O0	EXTENDER, Seat Belt
		1	J, T					*O0	

LIBERTY (KJ)

SERIES      LINE  
P = LIMITED      J = JEEP - 4WD  
H = SPORT      U = JEEP - 4WD (RHD)  
M = RENEGADE      T = JEEP - 2WD

BODY  
74 = SPORT UTILITY 4-DR

ENGINE  
ED1 = Engine - 2.4L 4 Cyl DOHC 16v SMPI  
EKG = Engine - 3.7L V6  
ENR = Engine - 2.8L 4 Cyl Turbo Diesel  
ENO = 4CYL turbo diesel

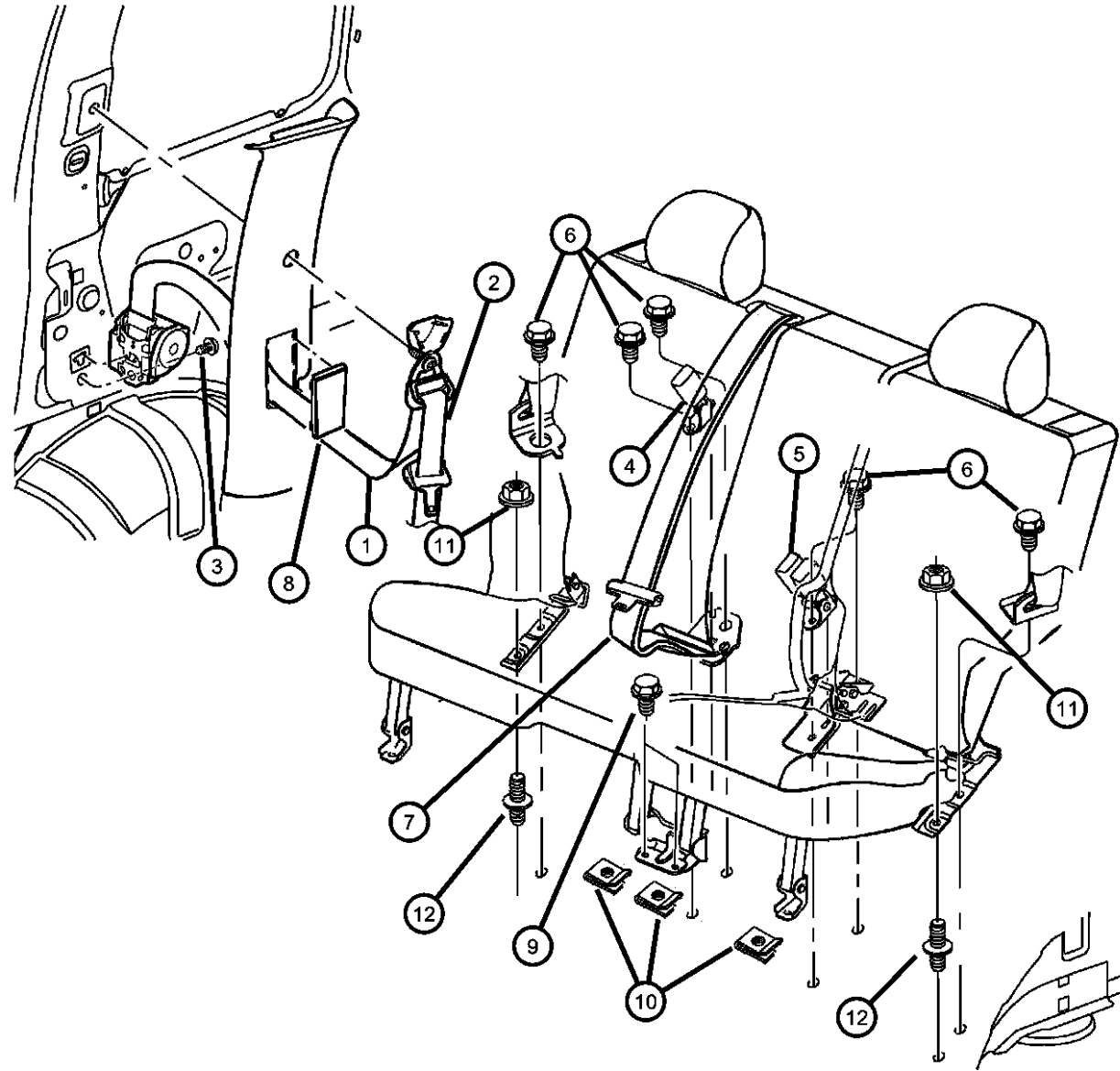
TRANSMISSION  
DGQ = Transmission-5-Spd Automatic 5-45RFE  
DG6 = Transmission-4-Spd. Automatic, 42RLE  
DEH = Transmission-6-Speed Manual, NSG370  
DG0 = Transmissions - All Automatic  
DBB = ALL MANUAL TRANSMISSIONS

AR = use ase required - = Non illustrated part

2005 KJ



Seat Belts, Rear  
Figure IKJ-720



ITEM	PART NUMBER	QTY	LINE	SERIES	BODY	ENGINE	TRANS	TRIM	DESCRIPTION
1									SEAT BELT, Rear Outer
	5GE521X9AL	1	J, U					*O0	Right, Export
	5GE531X9AL	1	J, U					*O0	Left, Export
	5HG361D5AL	1	J, T					*O0	[DB], Right
	5HG361J3AL	1	J, T					*O0	[J1], Right
	5HG371D5AL	1	J, T					*O0	[DB], Left
	5HG371J3AL	1	J, T					*O0	[J1], Left
2									BOLT, Seat Belt
	06506911AA	1	J, T					*O0	
		1	J, U					*O0	
3	06505867AA	2							SCREW, SEAT BELT
4									SEAT BELT, Buckle Half
	5GU581D5AE	1	J, T					*O0	[DB]
	5GU581J3AE	1	J, T					*O0	[J1]
	5GU581X9AE	1	J, U					*O0	Export
5									SEAT BELT, Two Buckles
	5GE491D5AE	1	J, T					*O0	[DB]
	5GE491J3AE	1	J, T					*O0	[J1]
	5GE491X9AE	1	J, U					*O0	Export
6	06506791AA	6							SCREW, Seat
7									SEAT BELT, RR CNTR SHOULDER
	5GE481D5AD	1						*M7	[D5]
	5GE481J3AD	1						*M7	[J3]
	5GE481D1AE	1	J, U					*DL	[J1], Export
	5GE481D5AE	1	J, U					*B7	[D5]
		1	J, U					*L7	[D5], Export
		1						*J7	[D5]
		1	J, U					*J7	[D5]
	5GE481J3AE	1	J, U					*B7	[J3]
		1	J, U					*L7	[J3], Export
		1						*J7	[J3]
		1	J, U					*J7	[J3]

LIBERTY (KJ)

SERIES      LINE  
P = LIMITED    J = JEEP - 4WD  
H = SPORT      U = JEEP - 4WD (RHD)  
M = RENEGADE   T = JEEP - 2WD

BODY  
74 = SPORT UTILITY 4-DR

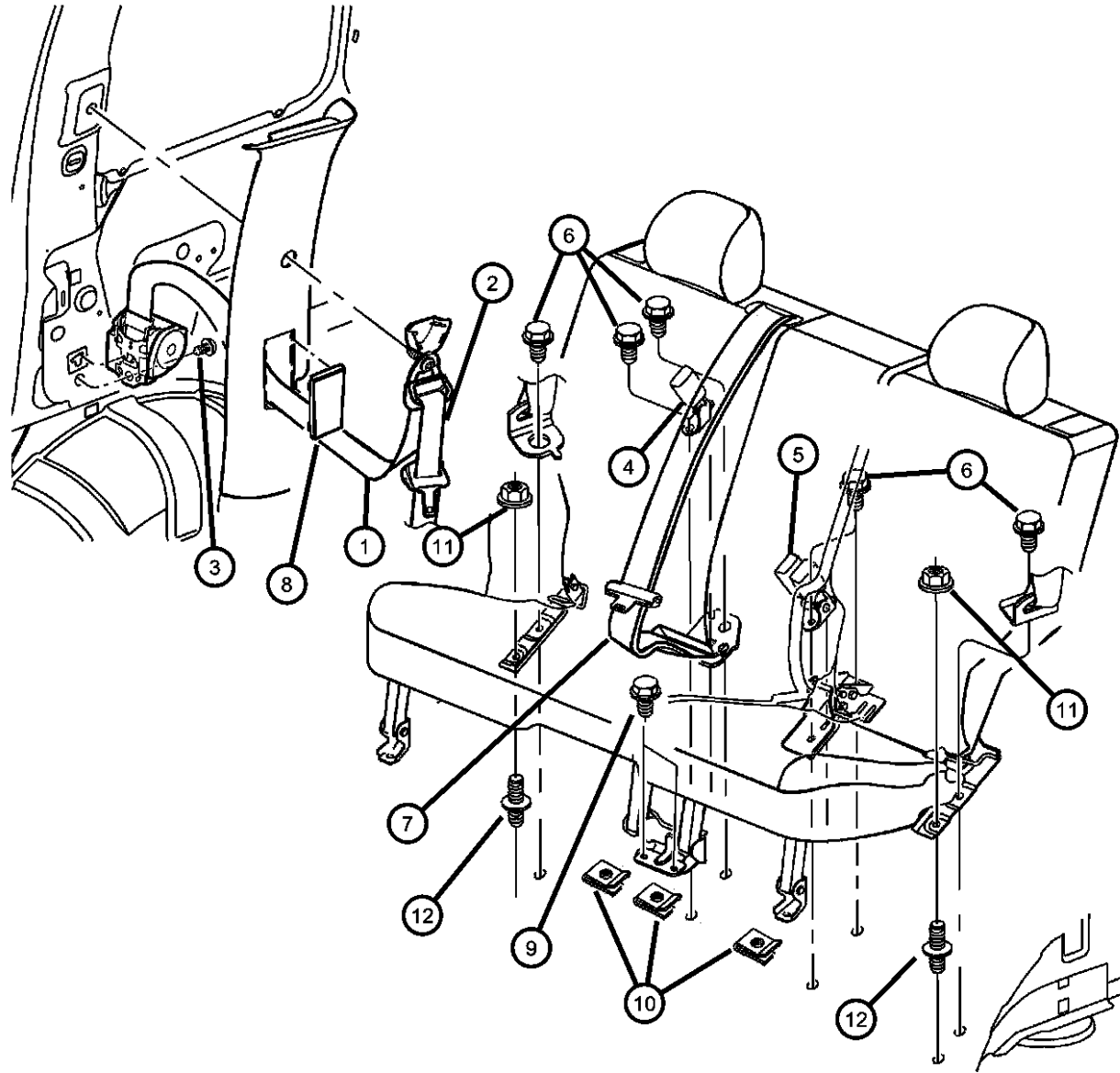
ENGINE  
ED1 = Engine - 2.4L 4 Cyl DOHC 16v SMPI  
EKG = Engine - 3.7L V6  
ENR = Engine - 2.8L 4 Cyl Turbo Diesel  
ENO = 4CYL turbo diesel

TRANSMISSION  
DGQ = Transmission-5-Spd Automatic 5-45RFE  
DG6 = Transmission-4-Spd. Automatic, 42RLE  
DEH = Transmission-6-Speed Manual, NSG370  
DG0 = Transmissions - All Automatic  
DBB = ALL MANUAL TRANSMISSIONS

AR = use ase required   - = Non illustrated part

2005 KJ

Seat Belts, Rear  
Figure IKJ-720



ITEM	PART NUMBER	QTY	LINE	SERIES	BODY	ENGINE	TRANS	TRIM	DESCRIPTION
	5GE481DBAF	1	J, U					*DL	[DB], Export
	5HK441D5AB	1						*A5	[D5]
	5HK441D1AC	1	J, T					*DL	[J1]
	5HK441D5AC	1	J, T					*N5	[D5]
		1	J, T					*L7	[D5]
	5HK441J3AC	1	J, T					*N5	[J3]
		1	J, T					*L7	[J3]
	5HK441D5AD	1						*B5	[D5]
	5HK441DBAD	1	J, T					*DL	[DB]
	5HK441J3AD	1						*B5	[J3]
		1						*A5	[J3]
8									COVER, C Pillar
	0WR16BD5AA	1						*O0	[DB, D5], Right
	0WR16ZJ3AA	1						*O0	[J1, J3], Right
	0WR17BD5AA	1						*O0	[DB, D5], Left
	0WR17ZJ3AA	1						*O0	[J1, J3], Left
9	06101232	4							BOLT, Hex Flange Head, M8x1.25x25
10	06101283	4							U-NUT, M8x1.25
11	06507170AA	2							BOLT, Seat
12	06507170AA	2							STUD, M12x1.75x81.50, (NOT SERVICED)
-13									EXTENDER, Seat Belt
	05086227AA	1	J, U					*O0	
		1	J, T					*O0	

LIBERTY (KJ)

SERIES LINE  
P = LIMITED J = JEEP - 4WD  
H = SPORT U = JEEP - 4WD (RHD)  
M = RENEGADE T = JEEP - 2WD

BODY  
74 = SPORT UTILITY 4-DR

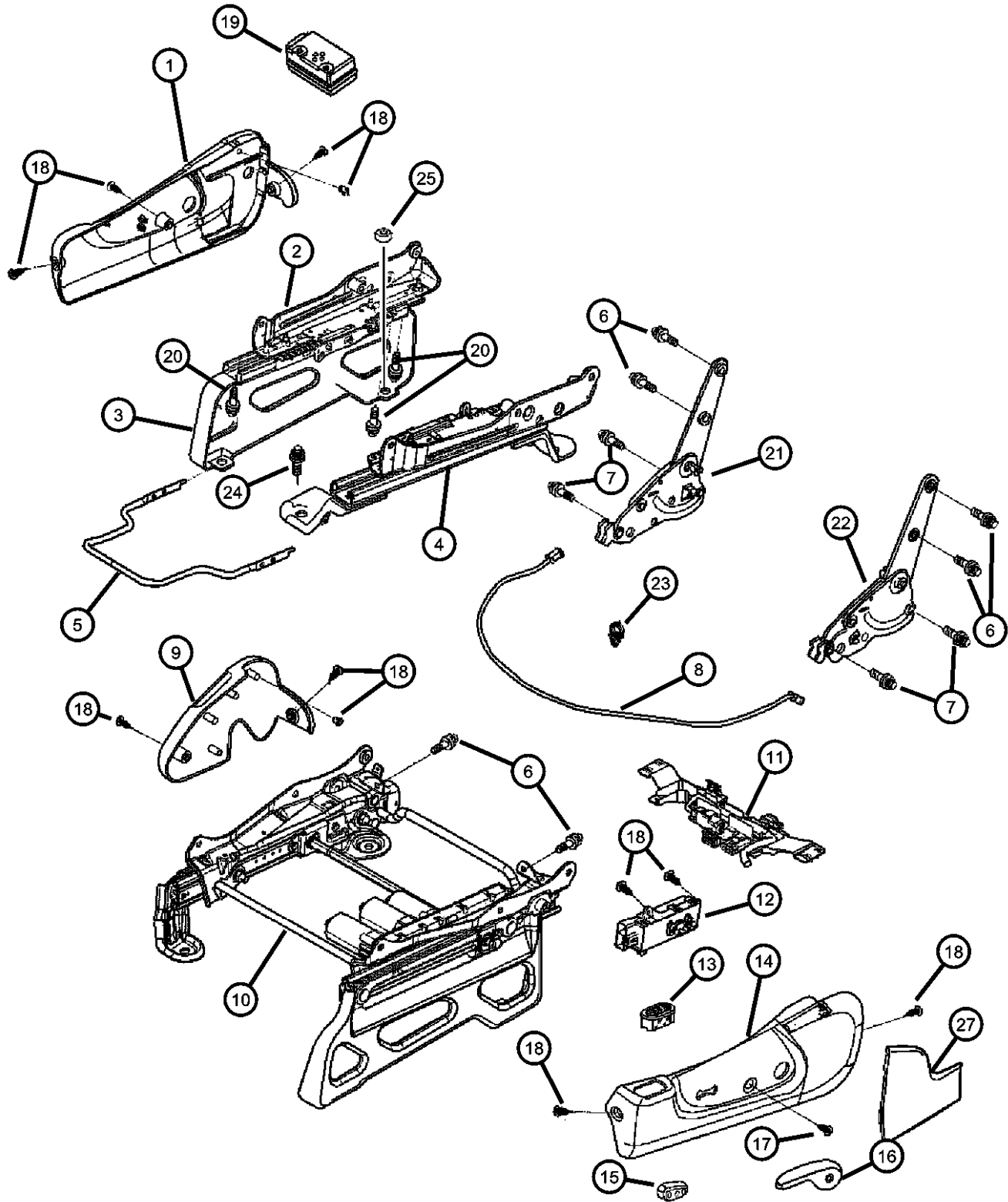
ENGINE  
ED1 = Engine - 2.4L 4 Cyl  
DOHC 16v SMPI  
EKG = Engine - 3.7L V6  
ENR = Engine - 2.8L 4 Cyl  
Turbo Diesel  
ENO = 4CYL turbo diesel

TRANSMISSION  
DGQ = Transmission-5-Spd Automatic  
5-45RFE  
DG6 = Transmission-4-Spd.  
Automatic, 42RLE  
DEH = Transmission-6-Speed Manual,  
NSG370  
DG0 = Transmissions - All Automatic  
DBB = ALL MANUAL  
TRANSMISSIONS

AR = use ase required - = Non illustrated part

2005 KJ

**Recliner and Adjuster  
Figure IKJ-810**



ITEM	PART NUMBER	QTY	LINE	SERIES	BODY	ENGINE	TRANS	TRIM	DESCRIPTION
1									SHIELD, Seat Adjuster, Manual Seat
	0ZH781D5AA	1	J, U					*B7	[D5], Right
		1	J, U					*L7	[D5], Right
		1	J, T					*N5	[D5], Right
		1						*J7	[D5], Right
		1						*B5	[D5], Right
		1	J, T					*L7	[D5], Right
		1						*A5	[D5], Right
		1						*M7	[D5], Right
	0ZH781J3AA	1	J, U					*B7	[J3], Right
		1	J, U					*L7	[J3], Right
		1	J, T					*L7	[J3], Right
		1						*J7	[J3], Right
		1						*B5	[J3], Right
		1	J, T					*N5	[J3], Right
		1						*M7	[J3], Right
	0ZH791D5AA	1	J, U					*B7	[D5], Left
		1	J, T					*N5	[D5], Left
		1	J, U					*L7	[D5], Left
		1	J, T					*L7	[D5], Left
		1						*J7	[D5], Left
		1						*B5	[D5], Left
		1						*A5	[D5], Left
		1						*M7	[D5], Left
	0ZH791J3AA	1	J, U					*B7	[J3], Left
		1	J, U					*L7	[J3], Left
		1						*J7	[J3], Left
		1						*B5	[J3], Left
		1	J, T					*N5	[J3], Left
		1	J, T					*L7	[J3], Left
		1						*M7	[J3], Left
2									ADJUSTER, Manual Seat

**LIBERTY (KJ)**  
 SERIES            LINE  
 P = LIMITED      J = JEEP - 4WD  
 H = SPORT        U = JEEP - 4WD (RHD)  
 M = RENEGADE   T = JEEP - 2WD

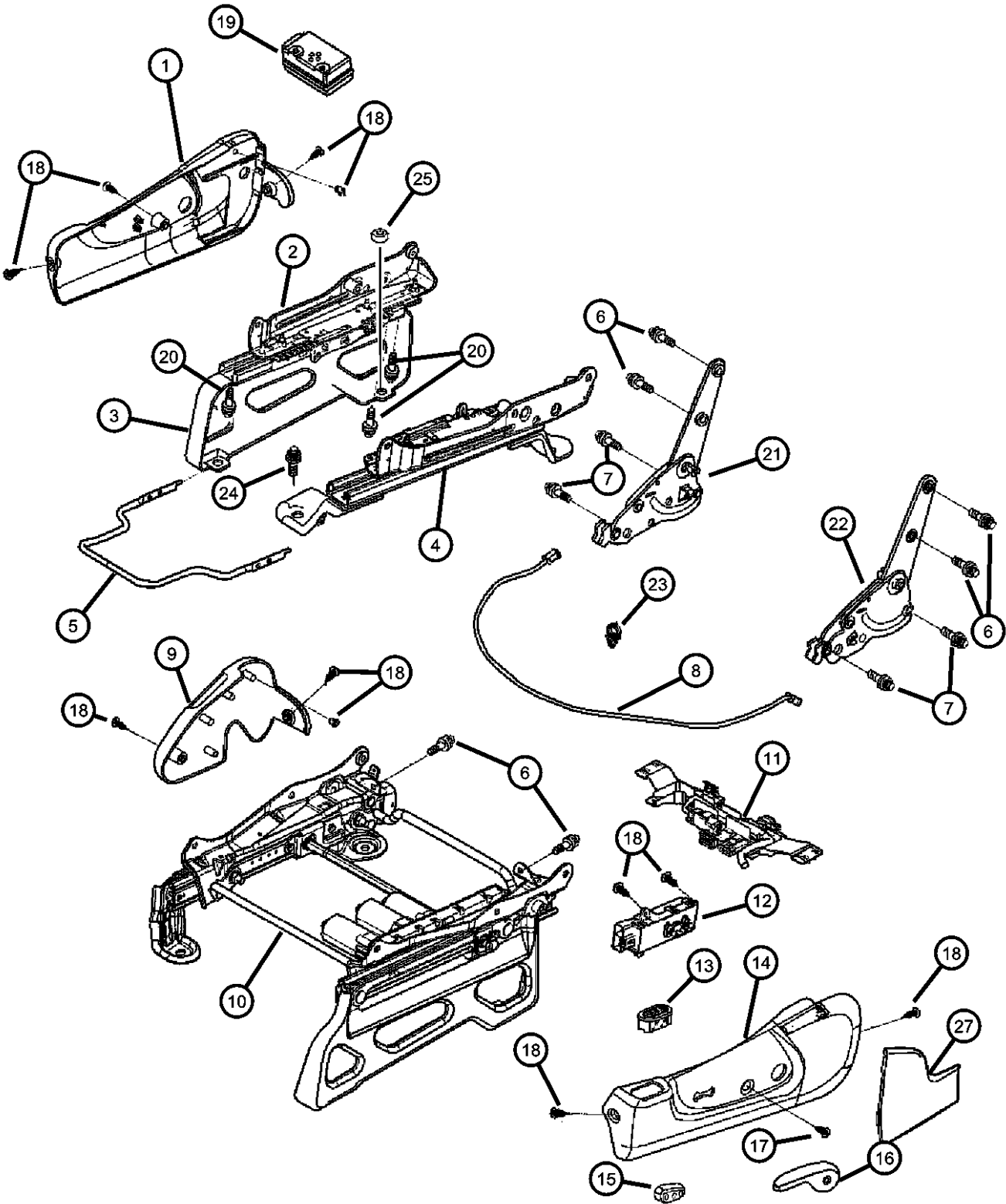
**BODY**  
 74 = SPORT UTILITY 4-DR

**ENGINE**  
 ED1 = Engine - 2.4L 4 Cyl DOHC 16v SMPI  
 EKG = Engine - 3.7L V6  
 ENR = Engine - 2.8L 4 Cyl Turbo Diesel  
 ENO = 4CYL turbo diesel

**TRANSMISSION**  
 DGQ = Transmission-5-Spd Automatic 5-45RFE  
 DG6 = Transmission-4-Spd. Automatic, 42RLE  
 DEH = Transmission-6-Speed Manual, NSG370  
 DG0 = Transmissions - All Automatic  
 DBB = ALL MANUAL TRANSMISSIONS

AR = use ase required - = Non illustrated part

**Recliner and Adjuster  
Figure IKJ-810**



ITEM	PART NUMBER	QTY	LINE	SERIES	BODY	ENGINE	TRANS	TRIM	DESCRIPTION
	05072104AB	1	J, U					*B7	Passenger
		1	J, T					*N5	Passenger
		1	J, U					*L7	Passenger
		1						*J7	Passenger
		1						*B5	Passenger
		1	J, T					*L7	Passenger
		1						*A5	Passenger
		1						*M7	Passenger
	05072107AB	1	J, U					*B7	Driver
		1	J, T					*N5	Driver
		1	J, U					*L7	Driver
		1						*J7	Driver
		1						*B5	Driver
		1	J, T					*L7	Driver
		1						*A5	Driver
		1						*M7	Driver
3									RISER, Seat
	05072756AA	1	J, U					*B7	Passenger
		1						*J7	Passenger
		1						*B5	Passenger
		1	J, T					*N5	Passenger
		1						*A5	Passenger
		1						*M7	Passenger
	05072757AA	1	J, U					*B7	Driver
		1	J, T					*N5	Driver
		1						*J7	Driver
		1						*B5	Driver
		1						*A5	Driver
		1						*M7	Driver
4									ADJUSTER, Manual Seat
	05072105AA	1	J, U					*B7	Passenger, Inboard, Manual

**LIBERTY (KJ)**  
 SERIES            LINE  
 P = LIMITED    J = JEEP - 4WD  
 H = SPORT      U = JEEP - 4WD (RHD)  
 M = RENEGADE T = JEEP - 2WD

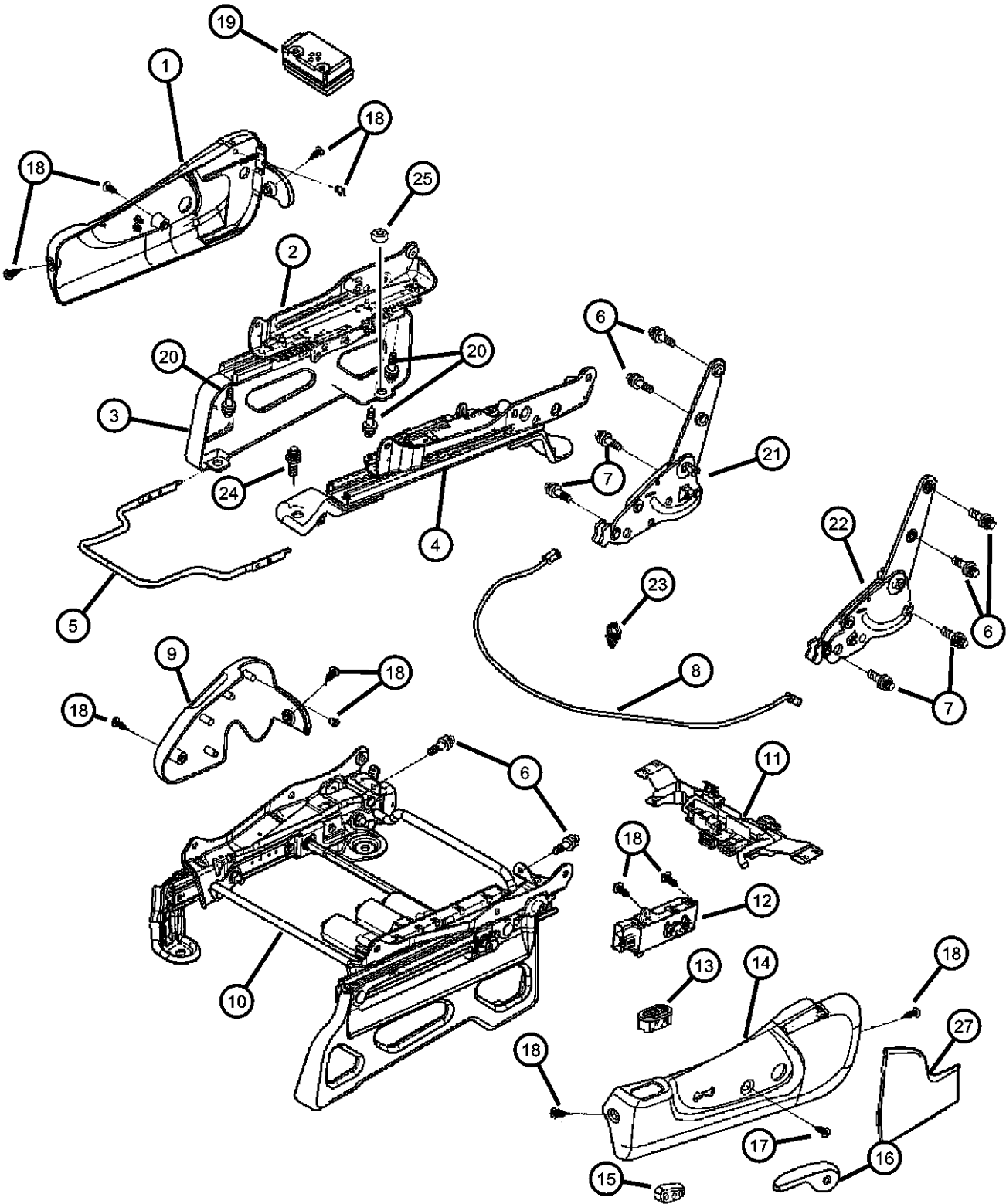
**BODY**  
 74 = SPORT UTILITY 4-DR

**ENGINE**  
 ED1 = Engine - 2.4L 4 Cyl DOHC 16v SMPI  
 EKG = Engine - 3.7L V6  
 ENR = Engine - 2.8L 4 Cyl Turbo Diesel  
 ENO = 4CYL turbo diesel

**TRANSMISSION**  
 DGQ = Transmission-5-Spd Automatic 5-45RFE  
 DG6 = Transmission-4-Spd. Automatic, 42RLE  
 DEH = Transmission-6-Speed Manual, NSG370  
 DG0 = Transmissions - All Automatic  
 DBB = ALL MANUAL TRANSMISSIONS

AR = use ase required - = Non illustrated part

**Recliner and Adjuster  
Figure IKJ-810**



ITEM	PART NUMBER	QTY	LINE	SERIES	BODY	ENGINE	TRANS	TRIM	DESCRIPTION
		1	J, U					*L7	Passenger, Inboard, Manual
		1	J, T					*L7	Passenger, Inboard, Manual
		1						*J7	Passenger, Inboard, Manual
		1						*B5	Passenger, Inboard, Manual
		1	J, T					*N5	Passenger, Inboard, Manual
		1						*A5	Passenger, Inboard, Manual
		1						*M7	Passenger, Inboard, Manual
	05072106AA	1	J, U					*B7	Driver, Inboard, Manual
		1	J, U					*L7	Driver, Inboard, Manual
		1	J, T					*L7	Driver, Inboard, Manual
		1						*J7	Driver, Inboard, Manual
		1						*B5	Driver, Inboard, Manual
		1	J, T					*N5	Driver, Inboard, Manual
		1						*A5	Driver, Inboard, Manual
		1						*M7	Driver, Inboard, Manual
5									HANDLE, Towel Bar
	05072003AA	2	J, U					*B7	
		2	J, U					*L7	
		1	J, T					*N5	
		1						*J7	
		1						*B5	
		1	J, T					*L7	
		1						*A5	
		1						*M7	
6									BOLT, Recliner
	05072128AA	8	J, U					*DL	
		8	J, U					*B7	
		8	J, U					*L7	
		8	J, T					*N5	
		8						*J7	
		8	J, T					*DL	

**LIBERTY (KJ)**  
 SERIES            LINE  
 P = LIMITED      J = JEEP - 4WD  
 H = SPORT        U = JEEP - 4WD (RHD)  
 M = RENEGADE    T = JEEP - 2WD

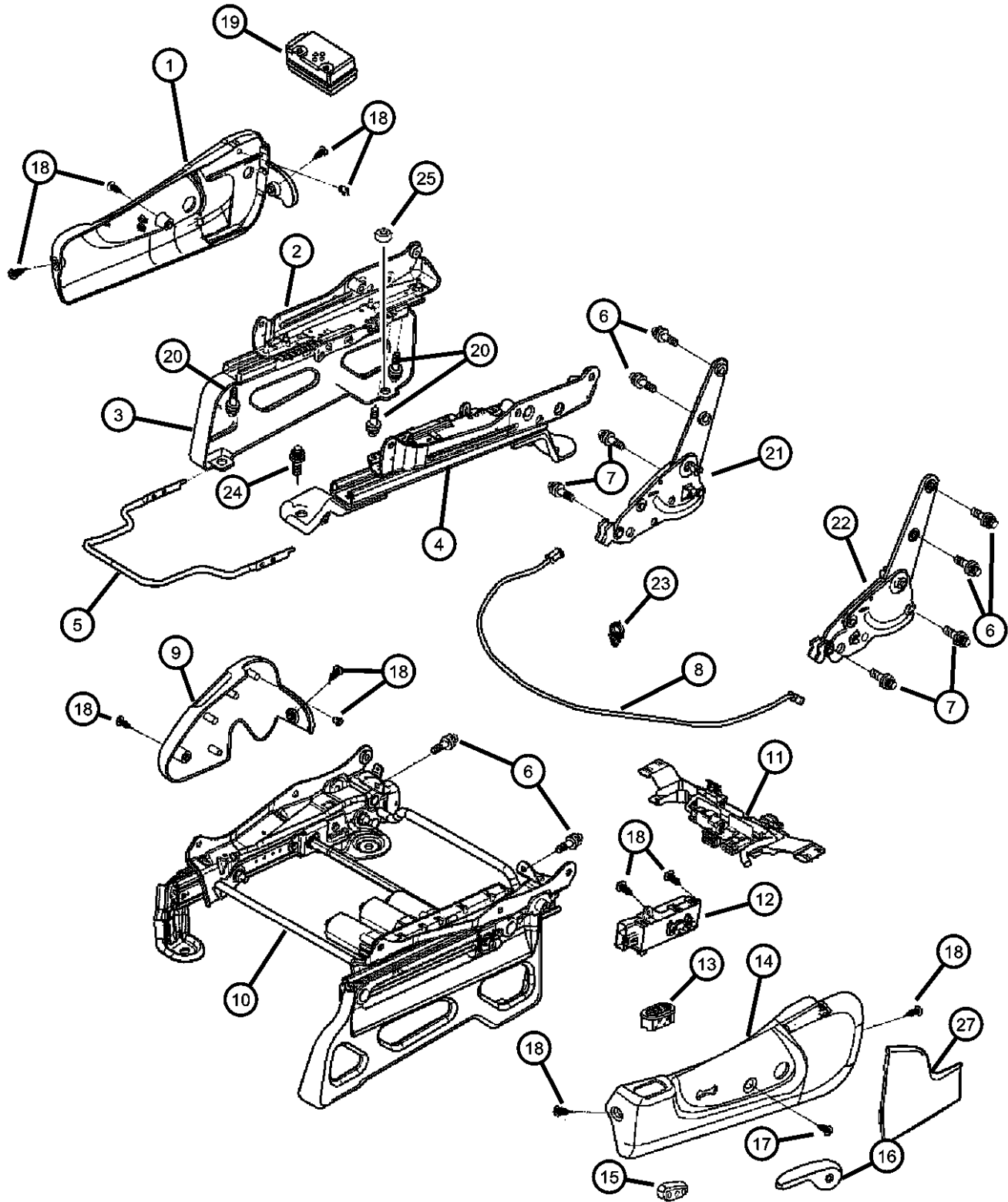
**BODY**  
 74 = SPORT UTILITY 4-DR

**ENGINE**  
 ED1 = Engine - 2.4L 4 Cyl DOHC 16v SMPI  
 EKG = Engine - 3.7L V6  
 ENR = Engine - 2.8L 4 Cyl Turbo Diesel  
 ENO = 4CYL turbo diesel

**TRANSMISSION**  
 DGQ = Transmission-5-Spd Automatic 5-45RFE  
 DG6 = Transmission-4-Spd. Automatic, 42RLE  
 DEH = Transmission-6-Speed Manual, NSG370  
 DG0 = Transmissions - All Automatic  
 DBB = ALL MANUAL TRANSMISSIONS

AR = use ase required - = Non illustrated part

**Recliner and Adjuster  
Figure IKJ-810**



ITEM	PART NUMBER	QTY	LINE	SERIES	BODY	ENGINE	TRANS	TRIM	DESCRIPTION
		8						*B5	
		1						*A5	
		1						*M7	
7	05093647AA	8	J, T					*L7	BOLT, Recliner
	05093647AA	8	J, U					*B7	
		8	J, U					*L7	
		8	J, T					*L7	
		8	J, U					*J7	
		8						*B5	
		8	J, T					*N5	
		1	J, T					*DL	
		1	J, U					*DL	
8									CABLE, Recliner
	05127463AA	2	J, T					*DL	
		2	J, U					*B7	
		2	J, U					*L7	
		2						*B5	
		1	J, U					*DL	
		1						*J7	
		1	J, T					*N5	
		1	J, T					*L7	
		1						*A5	
		1						*M7	
9									SHIELD, Seat Adjuster
	0UZ421D1AA	1	J, U					*DL	[J1], Passenger Inboard
		1	J, T					*DL	[J1], Passenger Inboard
	0UZ421D5AA	1	J, U					*B7	[D5], Passenger Inboard
		1	J, U					*L7	[D5], Passenger Inboard
		1	J, T					*N5	[D5], Passenger Inboard
		1	J, T					*J7	[D5], Passenger Inboard

**LIBERTY (KJ)**  
 SERIES      LINE  
 P = LIMITED      J = JEEP - 4WD  
 H = SPORT      U = JEEP - 4WD (RHD)  
 M = RENEGADE      T = JEEP - 2WD

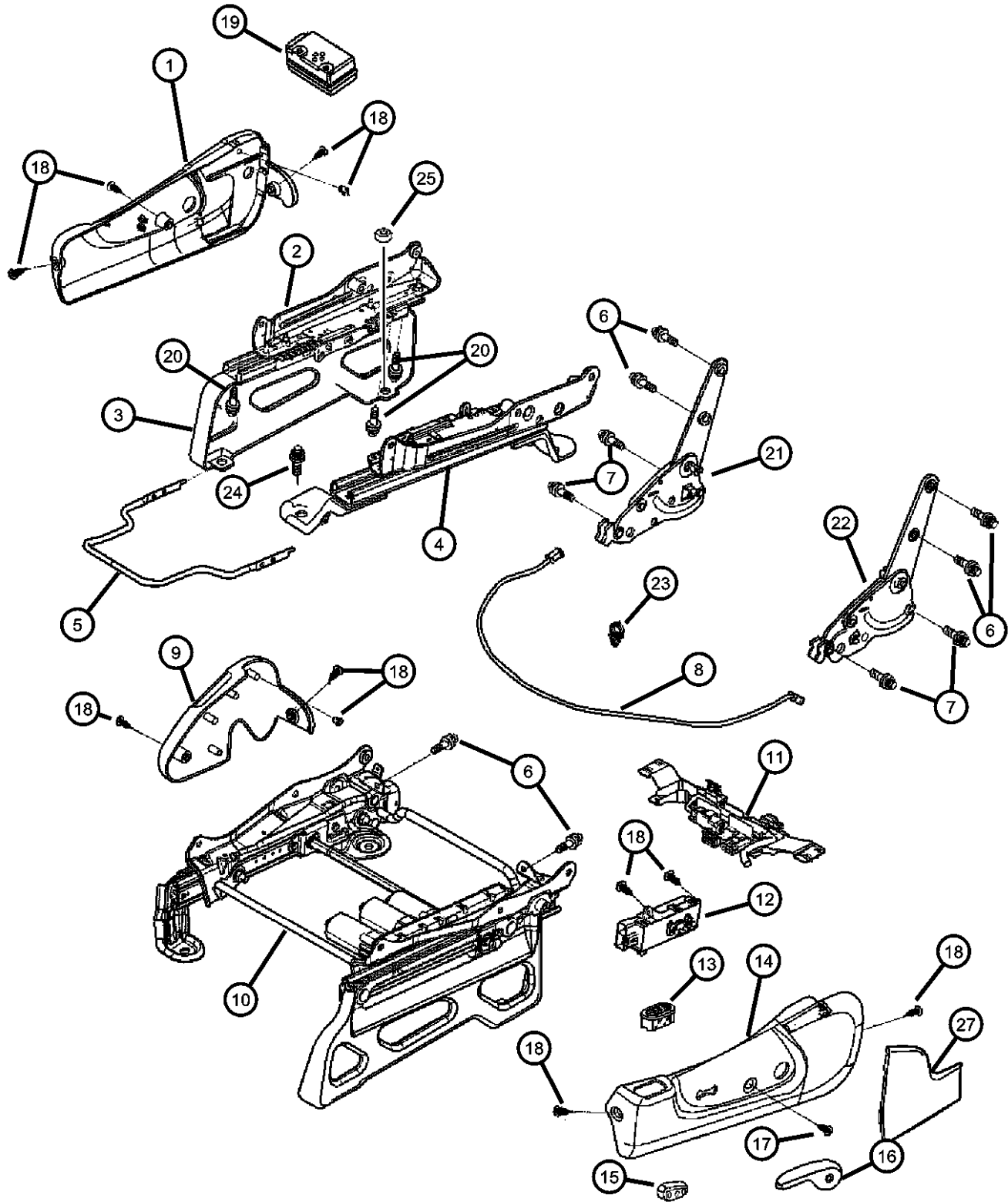
**BODY**  
 74 = SPORT UTILITY 4-DR

**ENGINE**  
 ED1 = Engine - 2.4L 4 Cyl DOHC 16v SMPI  
 EKG = Engine - 3.7L V6  
 ENR = Engine - 2.8L 4 Cyl Turbo Diesel  
 ENO = 4CYL turbo diesel

**TRANSMISSION**  
 DGQ = Transmission-5-Spd Automatic 5-45RFE  
 DG6 = Transmission-4-Spd. Automatic, 42RLE  
 DEH = Transmission-6-Speed Manual, NSG370  
 DG0 = Transmissions - All Automatic  
 DBB = ALL MANUAL TRANSMISSIONS

AR = use ase required    - = Non illustrated part

**Recliner and Adjuster  
Figure IKJ-810**



ITEM	PART NUMBER	QTY	LINE	SERIES	BODY	ENGINE	TRANS	TRIM	DESCRIPTION
		1						*B5	[D5], Passenger Inboard
		1	J, T					*L7	[D5], Passenger Inboard
		1						*A5	[D5], Passenger Inboard
		1						*M7	[D5], Passenger Inboard
	0UZ421DBAA	1	J, U					*DL	[DB], Passenger Inboard
		1	J, T					*DL	[DB], Passenger Inboard
	0UZ421J3AA	1	J, U					*B7	[J3], Passenger Inboard
		1	J, T					*N5	[J3], Passenger Inboard
		1	J, U					*L7	[J3], Passenger Inboard
		1						*J7	[J3], Passenger Inboard
		1						*B5	[J3], Passenger Inboard
		1	J, T					*L7	[J3], Passenger Inboard
		1						*A5	[J3], Passenger Inboard
		1						*M7	[J3], Passenger Inboard
	0UZ431D1AA	1	J, T					*DL	[J1], Driver, Inboard
		1	J, U					*DL	[J1], Driver, Inboard
	0UZ431D5AA	1	J, U					*B7	[D5], Driver, Inboard
		1	J, U					*L7	[D5], Driver, Inboard
		1	J, T					*L7	[D5], Driver, Inboard
		1						*J7	[D5], Driver, Inboard
		1						*B5	[D5], Driver, Inboard
		1	J, T					*N5	[D5], Driver, Inboard
		1						*A5	[D5], Driver, Inboard
		1						*M7	[D5], Driver, Inboard
	0UZ431DBAA	1	J, T					*DL	[DB], Driver, Inboard
		1	J, U					*DL	[DB], Driver, Inboard
	0UZ431J3AA	1	J, U					*B7	[J3], Driver, Inboard
		1	J, U					*L7	[J3], Driver, Inboard
		1	J, T					*N5	[J3], Driver, Inboard
		1	J, U					*J7	[J3], Driver, Inboard
		1						*B5	[J3], Driver, Inboard

**LIBERTY (KJ)**  
 SERIES            LINE  
 P = LIMITED      J = JEEP - 4WD  
 H = SPORT        U = JEEP - 4WD (RHD)  
 M = RENEGADE   T = JEEP - 2WD

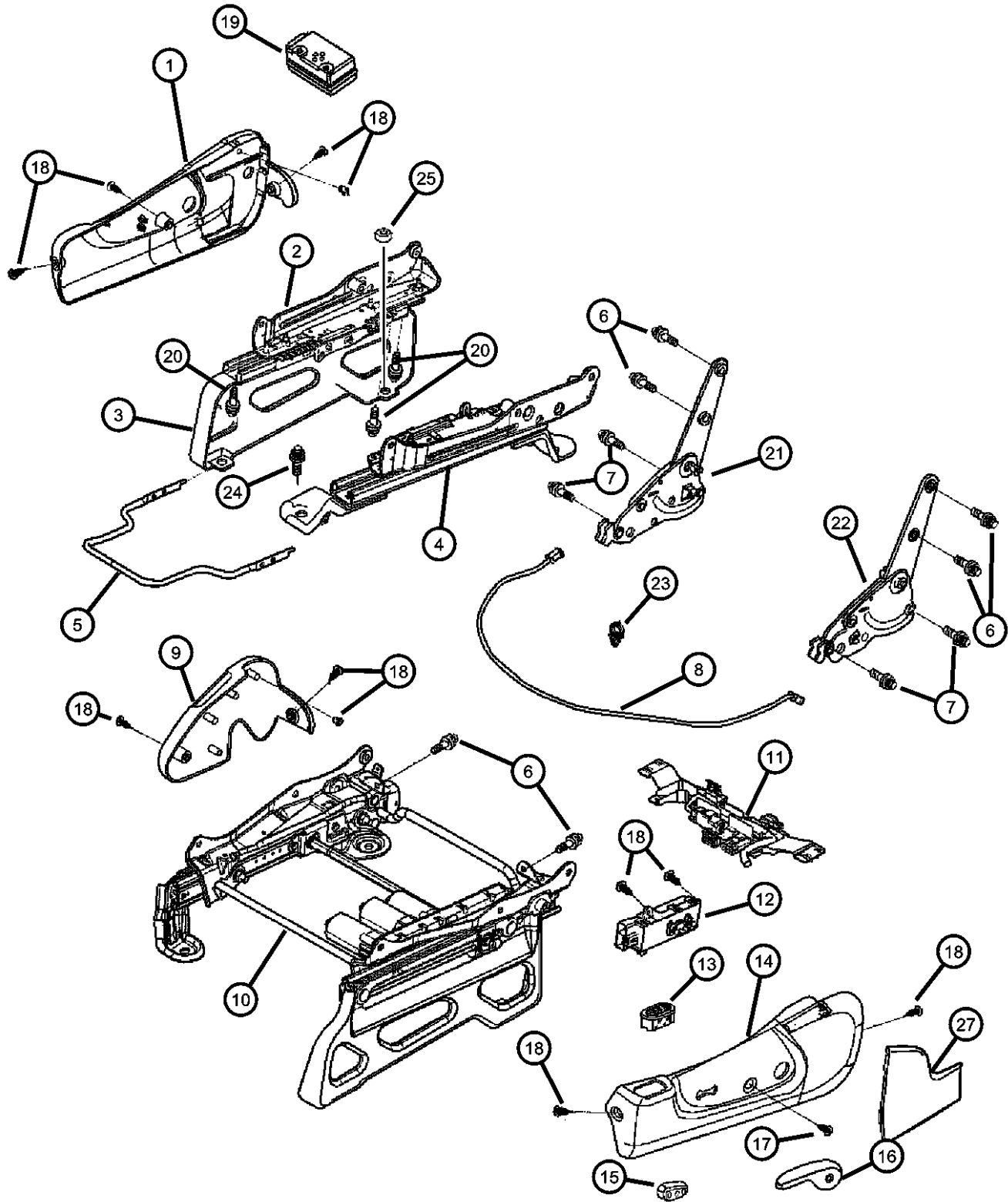
**BODY**  
 74 = SPORT UTILITY 4-DR

**ENGINE**  
 ED1 = Engine - 2.4L 4 Cyl DOHC 16v SMPI  
 EKG = Engine - 3.7L V6  
 ENR = Engine - 2.8L 4 Cyl Turbo Diesel  
 ENO = 4CYL turbo diesel

**TRANSMISSION**  
 DGQ = Transmission-5-Spd Automatic 5-45RFE  
 DG6 = Transmission-4-Spd. Automatic, 42RLE  
 DEH = Transmission-6-Speed Manual, NSG370  
 DG0 = Transmissions - All Automatic  
 DBB = ALL MANUAL TRANSMISSIONS

AR = use ase required - = Non illustrated part

**Recliner and Adjuster  
Figure IKJ-810**



ITEM	PART NUMBER	QTY	LINE	SERIES	BODY	ENGINE	TRANS	TRIM	DESCRIPTION
		1	J, T					*L7	[J3], Driver, Inboard
		1						*A5	[J3], Driver, Inboard
		1						*M7	[J3], Driver, Inboard
10									ADJUSTER, Power Seat
	0WZ34DX9AA	1	J, U					*J7	Passenger
	0WZ34XD-HAA	1	J, U					*DL	[DB], Passenger
		1	J, U					*L7	[D5], Passenger
		1	J, T					*DL	[DB], Passenger
	0WZ34ZJ8AA	1	J, T					*DL	[J1], Passenger
		1	J, U					*DL	[J1], Passenger
		1	J, U					*L7	[J3], Passenger
	0WZ35DX9AA	1						*B5	Driver
		1	J, U					*J7	Driver
		1	J, T					*N5	Driver
	0WZ35XD-HAA	1	J, T					*DL	[DB], Driver
		1	J, U					*DL	[DB], Driver
		1	J, U					*L7	[D5], Driver
		1	J, T					*L7	[D5], Driver
	0WZ35ZJ8AA	1	J, T					*DL	[J1], Driver
		1	J, U					*DL	[J1], Driver
		1	J, U					*L7	[J3], Driver
		1	J, T					*L7	[J3], Driver
11									WIRING, Power Seat
	05142958AA	1	J, T					*DL	Power, Right
	05142959AA	1	J, T					*DL	Power, Left
		1	J, U					*DL	Power, Left
		1	J, T					*N5	Left
		1	J, U					*J7	Left
		1						*B5	
		1	J, T					*L7	Left
	05143004AA	1	J, T					*DL	Power & Heated, Right

**LIBERTY (KJ)**  
 SERIES            LINE  
 P = LIMITED      J = JEEP - 4WD  
 H = SPORT        U = JEEP - 4WD (RHD)  
 M = RENEGADE   T = JEEP - 2WD

**BODY**  
 74 = SPORT UTILITY 4-DR

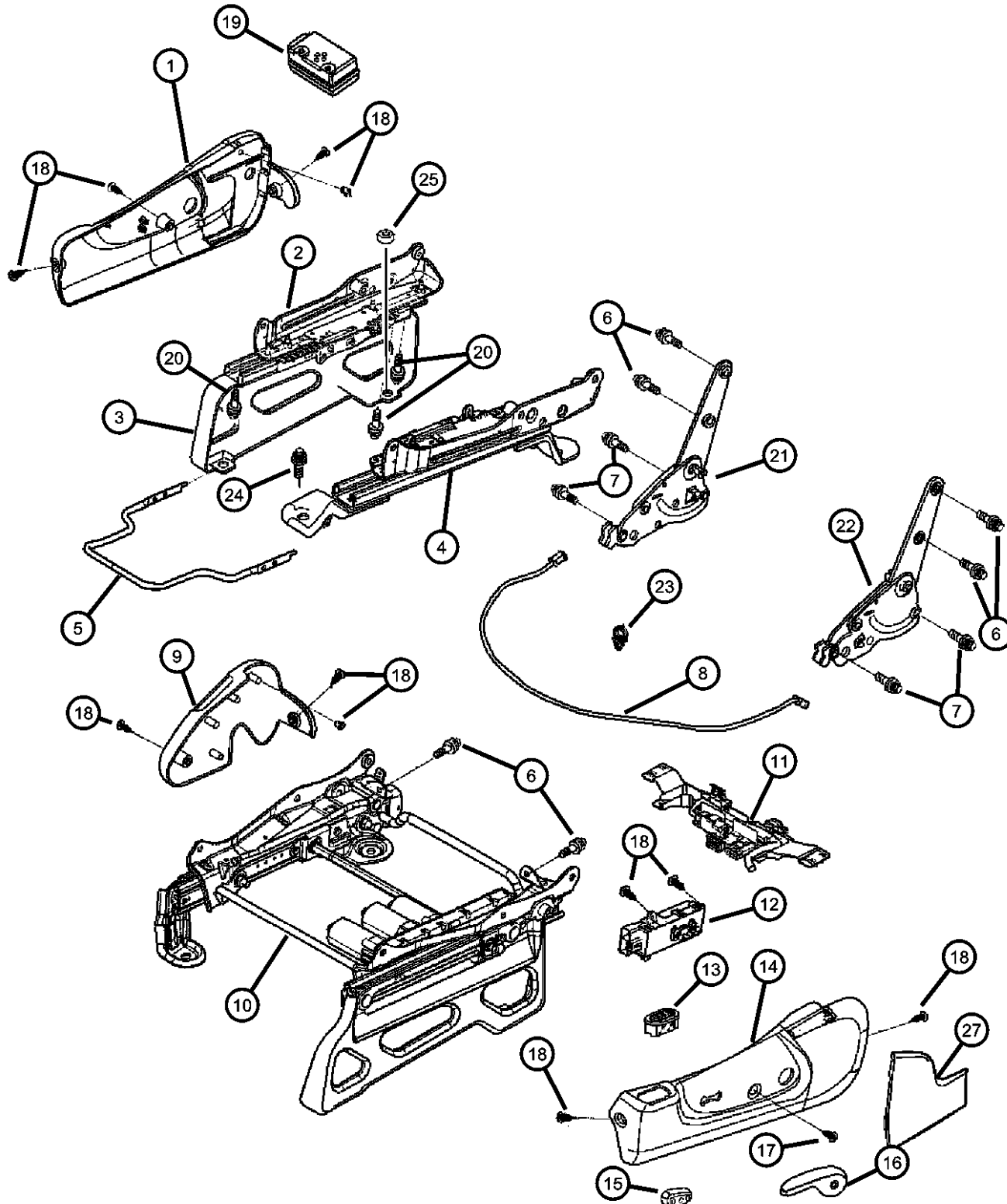
**ENGINE**  
 ED1 = Engine - 2.4L 4 Cyl DOHC 16v SMPI  
 EKG = Engine - 3.7L V6  
 ENR = Engine - 2.8L 4 Cyl Turbo Diesel  
 ENO = 4CYL turbo diesel

**TRANSMISSION**  
 DGQ = Transmission-5-Spd Automatic 5-45RFE  
 DG6 = Transmission-4-Spd. Automatic, 42RLE  
 DEH = Transmission-6-Speed Manual, NSG370  
 DG0 = Transmissions - All Automatic  
 DBB = ALL MANUAL TRANSMISSIONS

AR = use ase required - = Non illustrated part



**Recliner and Adjuster  
Figure IKJ-810**



ITEM	PART NUMBER	QTY	LINE	SERIES	BODY	ENGINE	TRANS	TRIM	DESCRIPTION
	05143005AA	1	J, U					*DL	Power & Heated, Left
		1	J, T					*DL	Power & Heated, Left
	05143028AA	1	J, T					*DL	Power, Mexico, Right
		1	J, U					*DL	Power, Export, Right
		1	J, U					*L7	Right
		1	J, U					*J7	Right
	05143034AA	1	J, T					*DL	Power & Heated, Mexico, Right
		1	J, U					*DL	Power & Heated, Export, Right
12									SWITCH, Seat
	55352782AA	2	J, U					*L7	
		2	J, U					*DL	
		2	J, U					*J7	
		1	J, T					*N5	
		1						*B5	
		2	J, T					*DL	
13									SWITCH, Heated Seat
	5GW44DX9AB	2	J, T					*DL	
		2	J, U					*DL	
14									SHIELD, Seat Adjuster, Power Seat
	0ZH841D1AA	1	J, T					*DL	[J1], Non-Heated, Right
		1	J, U					*DL	[J1], Non-Heated, Right
	0ZH841D5AA	1	J, U					*L7	[J3], Non-Heated, Right
		1	J, U					*J7	[D5], Non-Heated, Right
	0ZH841DBAA	1	J, T					*DL	[DB], Non-Heated, Right
		1	J, U					*DL	[DB], Non-Heated, Right
	0ZH841J3AA	1	J, U					*L7	Right
		1	J, U					*J7	[J3], Non-Heated, Right
	0ZH851D1AA	1	J, T					*DL	[J1], Non-Heated, Left
		1	J, U					*DL	[J1], Non-Heated, Left
	0ZH851D5AA	1	J, U					*L7	[D5], Non-Heated, Left
		1	J, T					*N5	[D5], Non-Heated, Left

**LIBERTY (KJ)**

SERIES      LINE  
P = LIMITED      J = JEEP - 4WD  
H = SPORT      U = JEEP - 4WD (RHD)  
M = RENEGADE      T = JEEP - 2WD

BODY  
74 = SPORT UTILITY 4-DR

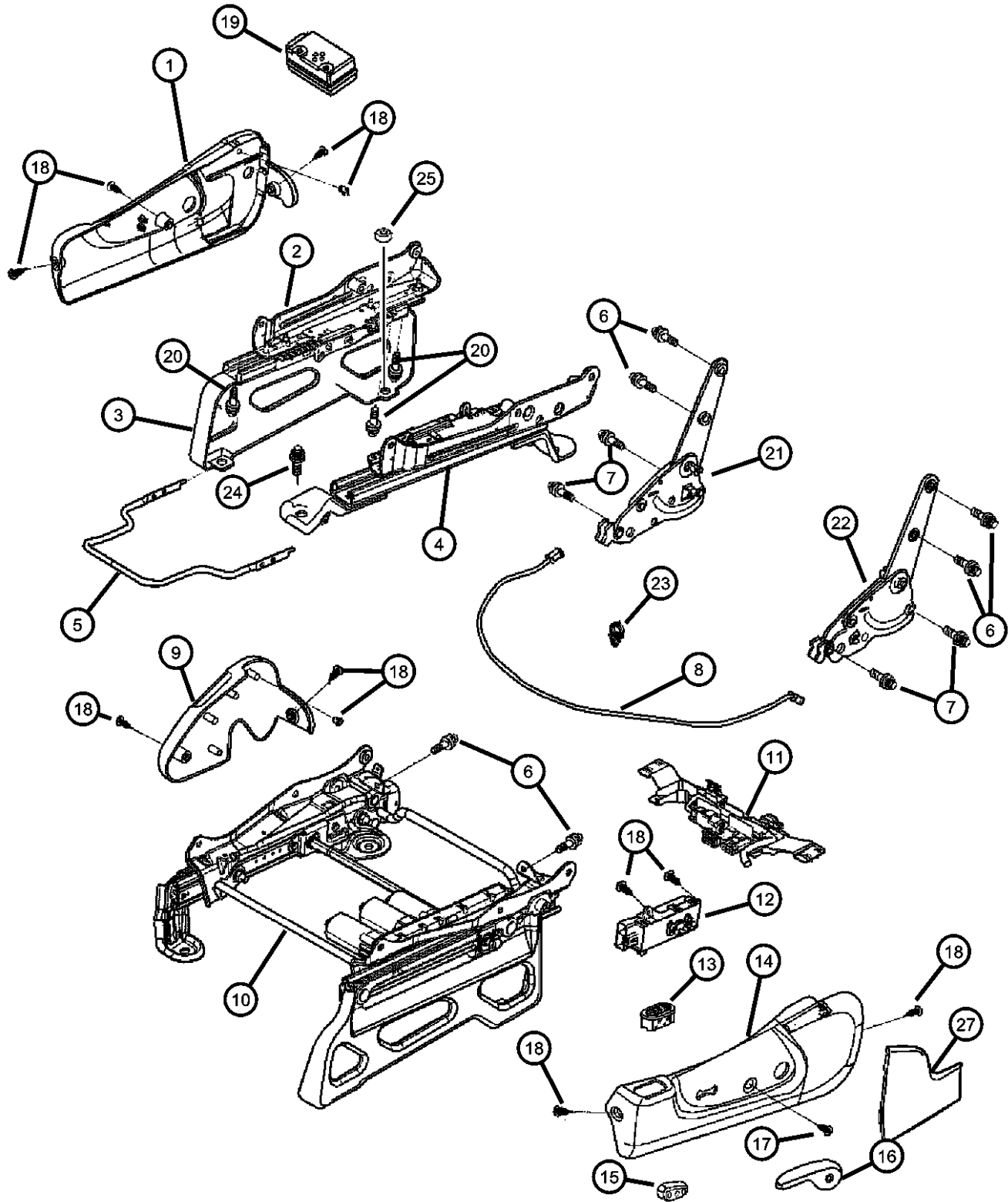
ENGINE  
ED1 = Engine - 2.4L 4 Cyl  
DOHC 16v SMPI  
EKG = Engine - 3.7L V6  
ENR = Engine - 2.8L 4 Cyl  
Turbo Diesel  
ENO = 4CYL turbo diesel

TRANSMISSION  
DGQ = Transmission-5-Spd Automatic  
5-45RFE  
DG6 = Transmission-4-Spd.  
Automatic, 42RLE  
DEH = Transmission-6-Speed Manual,  
NSG370  
DG0 = Transmissions - All Automatic  
DBB = ALL MANUAL  
TRANSMISSIONS

AR = use ase required - = Non illustrated part

2005 KJ

**Recliner and Adjuster  
Figure IKJ-810**



ITEM	PART NUMBER	QTY	LINE	SERIES	BODY	ENGINE	TRANS	TRIM	DESCRIPTION
------	-------------	-----	------	--------	------	--------	-------	------	-------------

		1	J, U					*J7	[D5], Non-Heated, Left
		1						*B5	[D5], Non-Heated
		1	J, T					*L7	[D5], Non-Heated, Left
	0ZH851DBAA	1	J, T					*DL	[DB], Non-Heated, Left
		1	J, U					*DL	[DB], Non-Heated, Left
	0ZH851J3AA	1	J, U					*L7	[J3], Non-Heated, Left
		1	J, T					*L7	[J3], Non-Heated, Left
		1	J, T					*N5	[J3], Non-Heated, Left
		1	J, U					*J7	[J3], Non-Heated, Left
		1						*B5	[J3], Non-Heated
	0ZH861D1AA	1	J, T					*DL	[J1], Heated, Right
		1	J, U					*DL	[J1], Heated, Right
	0ZH861DBAA	1	J, T					*DL	[DB], Heated, Right
		1	J, U					*DL	[DB], Heated, Right
	0ZH871D1AA	1	J, U					*DL	[J1], Heated, Left
		1	J, T					*DL	[J1], Heated, Left
	0ZH871DBAA	1	J, T					*DL	[DB], Heated, Left
		1	J, U					*DL	[DB], Heated, Left
15									KNOB, Power Seat Switch
	04607042AB	1	J, U					*L7	Right
		1	J, U					*DL	Right
		1	J, T					*DL	Right
		1	J, U					*J7	Right
	04607043AB	1	J, U					*L7	Left
		1	J, T					*DL	Left
		1	J, U					*DL	Left
		1	J, U					*J7	Left
		1						*B5	Left
		1	J, T					*N5	Left
		1	J, T					*L7	Left
16									HANDLE, Recliner

**LIBERTY (KJ)**  
 SERIES            LINE  
 P = LIMITED      J = JEEP - 4WD  
 H = SPORT        U = JEEP - 4WD (RHD)  
 M = RENEGADE    T = JEEP - 2WD

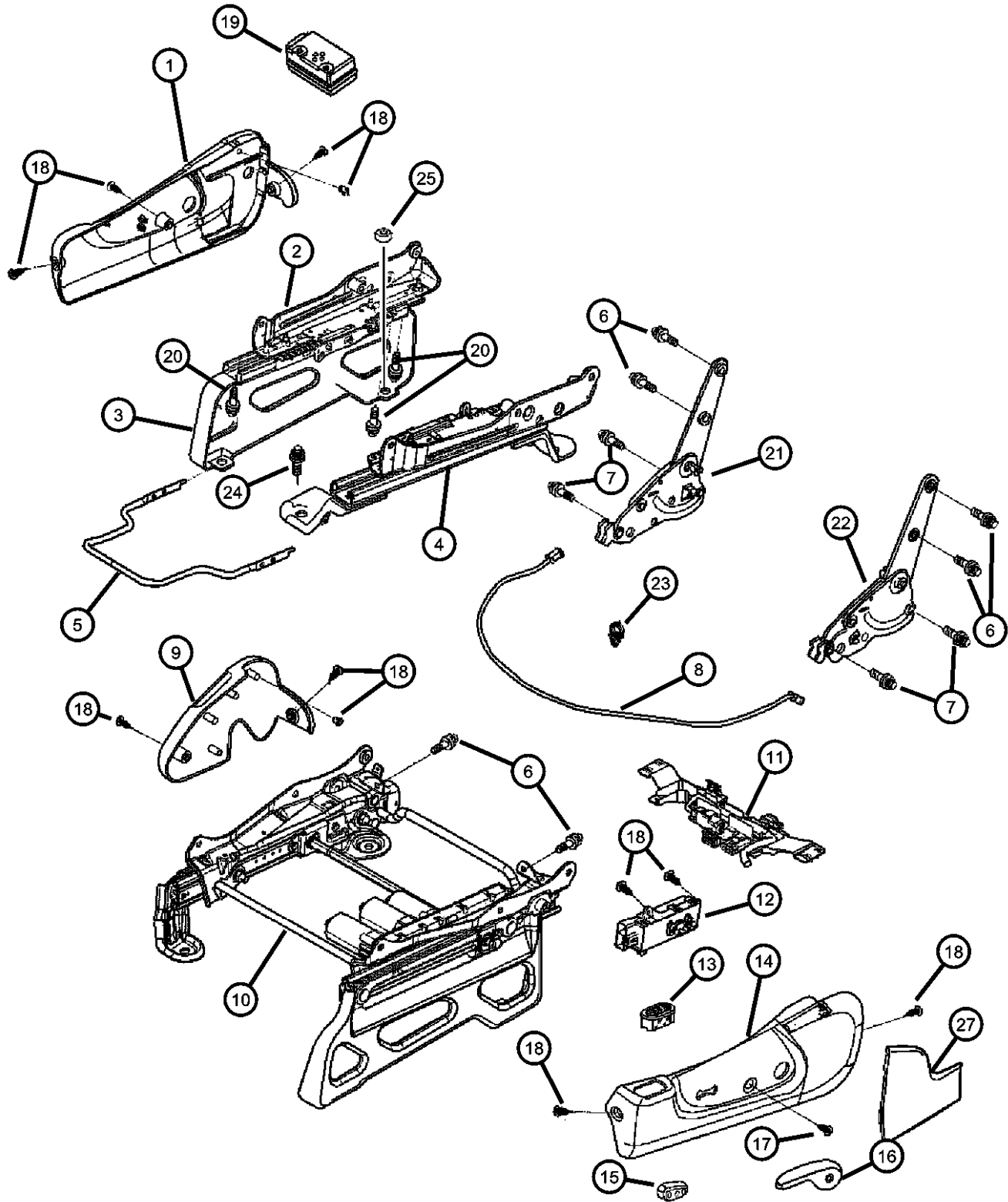
**BODY**  
 74 = SPORT UTILITY 4-DR

**ENGINE**  
 ED1 = Engine - 2.4L 4 Cyl DOHC 16v SMPI  
 EKG = Engine - 3.7L V6  
 ENR = Engine - 2.8L 4 Cyl Turbo Diesel  
 ENO = 4CYL turbo diesel

**TRANSMISSION**  
 DGQ = Transmission-5-Spd Automatic 5-45RFE  
 DG6 = Transmission-4-Spd. Automatic, 42RLE  
 DEH = Transmission-6-Speed Manual, NSG370  
 DG0 = Transmissions - All Automatic  
 DBB = ALL MANUAL TRANSMISSIONS

AR = use ase required - = Non illustrated part

**Recliner and Adjuster  
Figure IKJ-810**



ITEM	PART NUMBER	QTY	LINE	SERIES	BODY	ENGINE	TRANS	TRIM	DESCRIPTION
	0UZ281D5AA	1						*A5	[D5], Right
		1						*M7	[D5], Right
	0UZ281J3AA	1						*A5	[J3], Right
		1						*M7	[J3], Right
	0UZ281D1AB	1	J, T					*DL	[J1], Right
		1	J, U					*DL	[J1], Right
	0UZ281D5AB	1	J, U					*B7	[D5], Right
		1	J, U					*L7	[D5], Right
		1	J, T					*L7	[D5], Right
		1						*J7	[D5], Right
		1						*B5	[D5], Right
	0UZ281DBAB	1	J, T					*DL	[DB], Right
		1	J, U					*DL	[DB], Right
	0UZ281J3AB	1	J, U					*B7	[J3], Right
		1	J, U					*L7	[J3], Right
		1	J, T					*L7	[J3], Right
		1						*J7	[J3], Right
		1						*B5	[J3], Right
	0UZ291D5AA	1						*A5	[D5], Left
		1						*M7	[D5], Left
	0UZ291J3AA	1						*A5	[J3], Left
		1						*M7	[J3], Left
	0UZ291D1AB	1	J, U					*DL	[J1], Left
		1	J, T					*DL	[J1], Left
	0UZ291D5AB	1	J, U					*B7	[D5], Left
		1	J, U					*L7	[D5], Left
		1	J, T					*L7	[D5], Left
		1						*B5	[D5], Left
		1	J, U					*J7	[D5], Left
	0UZ291DBAB	1	J, U					*DL	[DB], Left
		1	J, T					*DL	[DB], Left

**LIBERTY (KJ)**  
 SERIES            LINE  
 P = LIMITED      J = JEEP - 4WD  
 H = SPORT        U = JEEP - 4WD (RHD)  
 M = RENEGADE    T = JEEP - 2WD

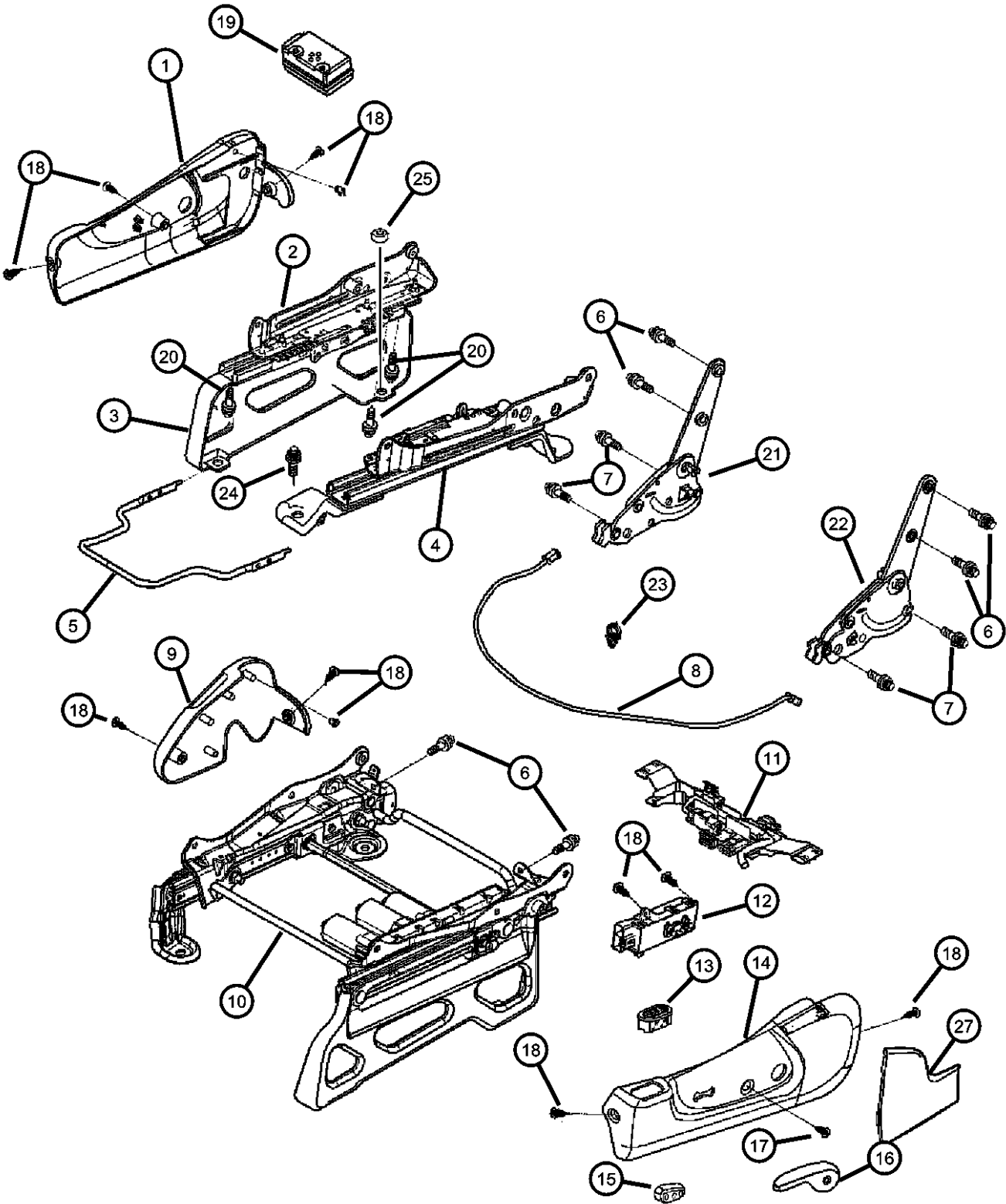
**BODY**  
 74 = SPORT UTILITY 4-DR

**ENGINE**  
 ED1 = Engine - 2.4L 4 Cyl DOHC 16v SMPI  
 EKG = Engine - 3.7L V6  
 ENR = Engine - 2.8L 4 Cyl Turbo Diesel  
 ENO = 4CYL turbo diesel

**TRANSMISSION**  
 DGQ = Transmission-5-Spd Automatic 5-45RFE  
 DG6 = Transmission-4-Spd. Automatic, 42RLE  
 DEH = Transmission-6-Speed Manual, NSG370  
 DG0 = Transmissions - All Automatic  
 DBB = ALL MANUAL TRANSMISSIONS

AR = use ase required    - = Non illustrated part

**Recliner and Adjuster  
Figure IKJ-810**



ITEM	PART NUMBER	QTY	LINE	SERIES	BODY	ENGINE	TRANS	TRIM	DESCRIPTION
	0UZ291J3AB	1	J, U					*B7	[J3], Left
		1	J, U					*L7	[J3], Left
		1						*J7	[J3], Left
		1						*B5	[J3], Left
17		1	J, T					*L7	[J3], Left
	05072127AB	2	J, T					*DL	SCREW, Recliner Handle
		2	J, U					*DL	
		2	J, U					*B7	
		2	J, U					*L7	
		2	J, T					*N5	
		2						*J7	
		2						*B5	
		2	J, T					*L7	
		1						*A5	
		1						*M7	
18									SCREW, Trim
	05072741AA	8	J, T					*DL	
		8	J, U					*DL	
		8	J, U					*B7	
		8	J, U					*L7	
		8	J, T					*L7	
		8						*J7	
		8						*B5	
		8	J, T					*N5	
		10						*A5	
		1						*M7	
19									MODULE, Heated Seat Control
	56010113AA	1	J, T					*DL	
		1	J, U					*DL	
20	06100295	1							SCREW AND WASHER, Hex Head, M8x1.25x20

**LIBERTY (KJ)**  
 SERIES            LINE  
 P = LIMITED      J = JEEP - 4WD  
 H = SPORT        U = JEEP - 4WD (RHD)  
 M = RENEGADE    T = JEEP - 2WD

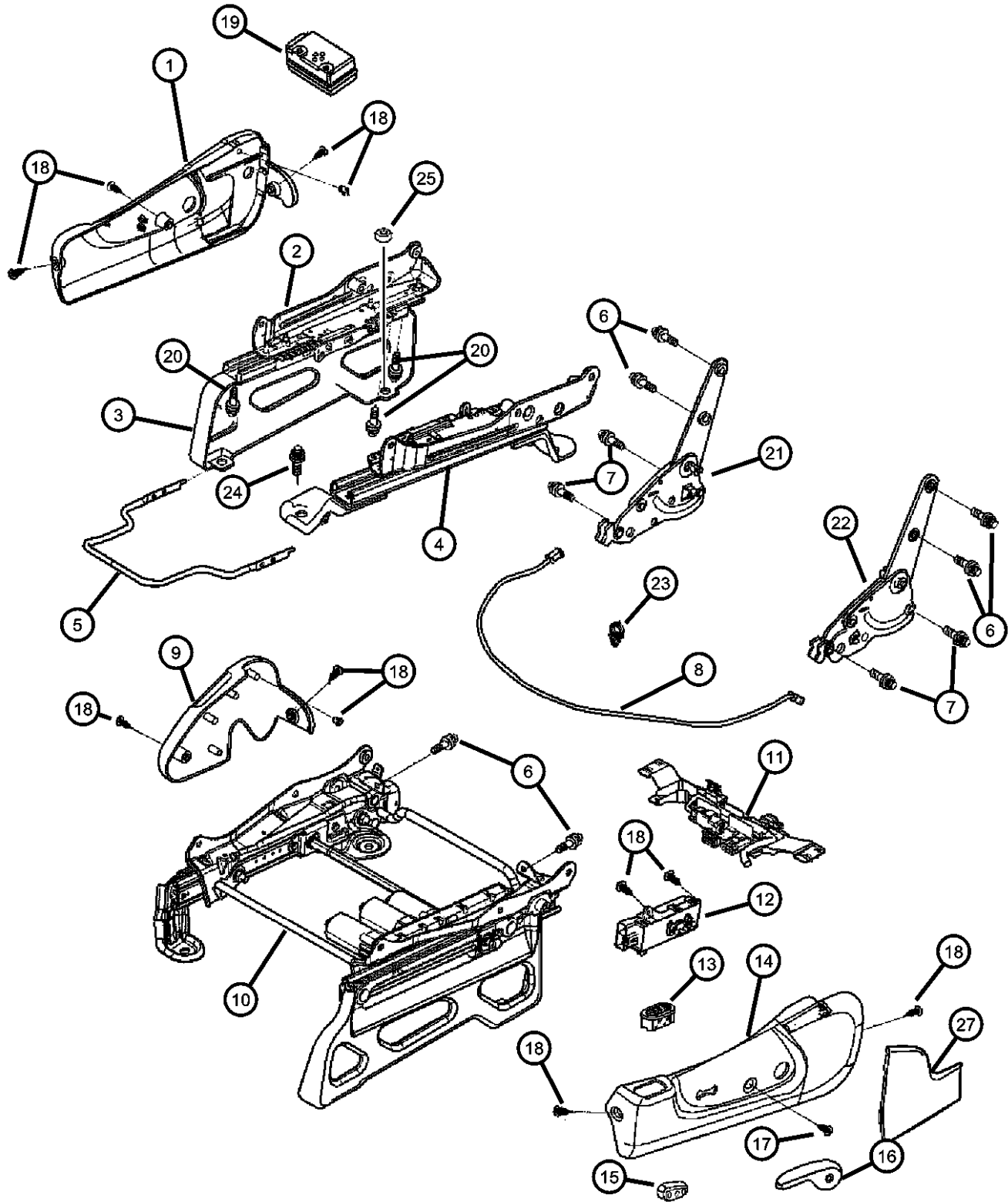
**BODY**  
 74 = SPORT UTILITY 4-DR

**ENGINE**  
 ED1 = Engine - 2.4L 4 Cyl DOHC 16v SMPI  
 EKG = Engine - 3.7L V6  
 ENR = Engine - 2.8L 4 Cyl Turbo Diesel  
 ENO = 4CYL turbo diesel

**TRANSMISSION**  
 DGQ = Transmission-5-Spd Automatic 5-45RFE  
 DG6 = Transmission-4-Spd. Automatic, 42RLE  
 DEH = Transmission-6-Speed Manual, NSG370  
 DG0 = Transmissions - All Automatic  
 DBB = ALL MANUAL TRANSMISSIONS

AR = use ase required - = Non illustrated part

**Recliner and Adjuster  
Figure IKJ-810**



ITEM	PART NUMBER	QTY	LINE	SERIES	BODY	ENGINE	TRANS	TRIM	DESCRIPTION
21									RECLINER, Front Seat Back
	05072020AA	1	J, U					*DL	Right, Outboard
		1	J, U					*B7	Right, Outboard
		1	J, T					*N5	Right, Outboard
		1	J, U					*L7	Right, Outboard
		1	J, T					*L7	Right, Outboard
		1						*J7	Right, Outboard
		1						*B5	Right, Outboard
		1	J, T					*DL	Right, Outboard
		1						*A5	Right, Outboard
	05072022AA	1	J, U					*M7	Right, Outboard
		1	J, U					*DL	Left, Inboard
		1	J, U					*B7	Left, Inboard
		1	J, U					*L7	Left, Inboard
		1	J, T					*L7	Left, Inboard
		1						*J7	Left, Inboard
		1	J, T					*DL	Left, Inboard
		1						*B5	Left, Inboard
		1	J, T					*N5	Left, Inboard
		1						*A5	Left, Inboard
		1						*M7	Left, Inboard
22									RECLINER, Front Seat Back
	05072021AA	1	J, T					*DL	Right, Inboard
		1	J, U					*DL	Right, Inboard
		1	J, U					*B7	Right, Inboard
		1	J, T					*N5	Right, Inboard
		1	J, U					*L7	Right, Inboard
		1						*J7	Right, Inboard
		1						*B5	Right, Inboard
		1	J, T					*L7	Right, Inboard
		1						*A5	Right, Inboard

**LIBERTY (KJ)**  
 SERIES            LINE  
 P = LIMITED      J = JEEP - 4WD  
 H = SPORT        U = JEEP - 4WD (RHD)  
 M = RENEGADE   T = JEEP - 2WD

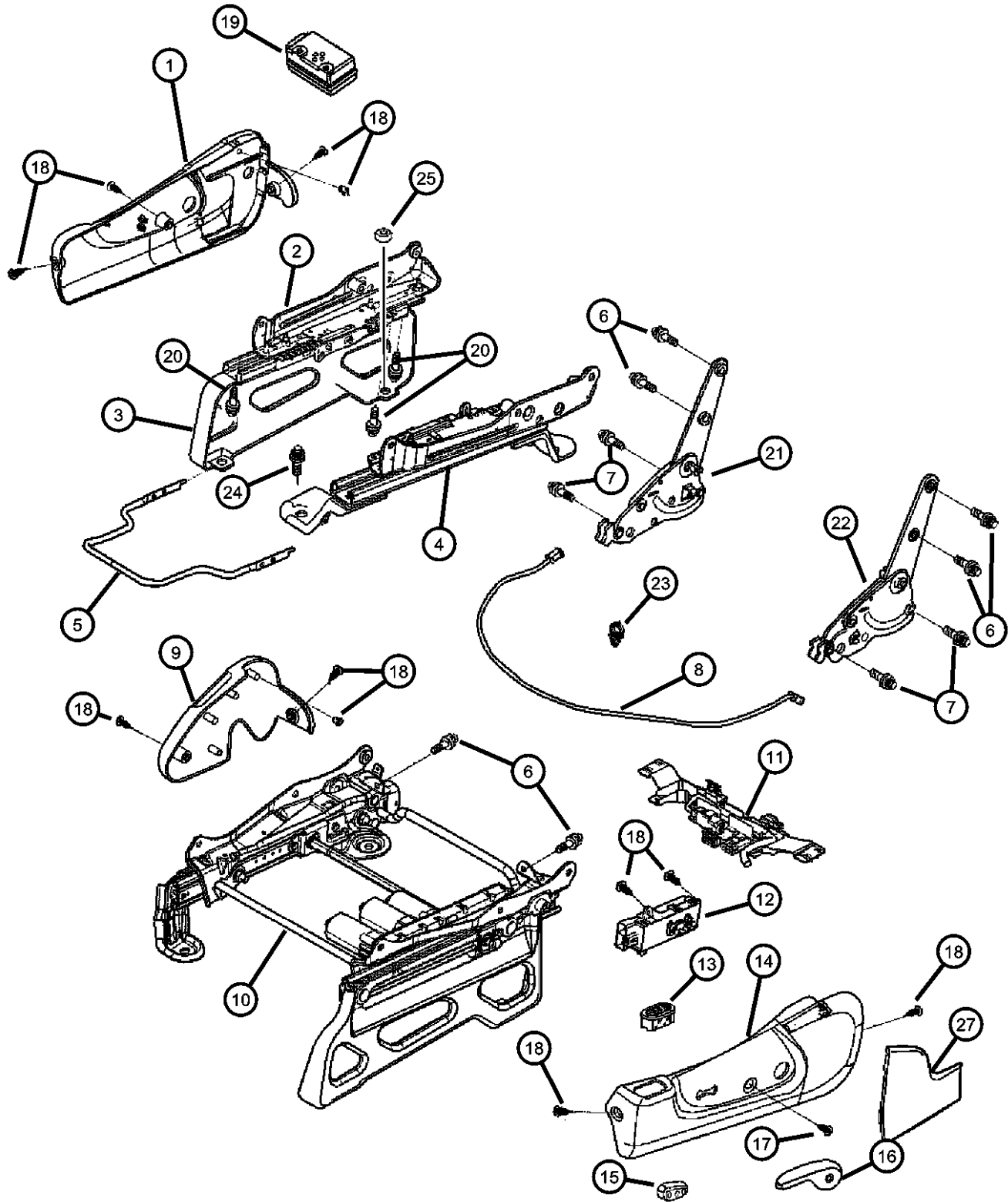
**BODY**  
 74 = SPORT UTILITY 4-DR

**ENGINE**  
 ED1 = Engine - 2.4L 4 Cyl DOHC 16v SMPI  
 EKG = Engine - 3.7L V6  
 ENR = Engine - 2.8L 4 Cyl Turbo Diesel  
 ENO = 4CYL turbo diesel

**TRANSMISSION**  
 DGQ = Transmission-5-Spd Automatic 5-45RFE  
 DG6 = Transmission-4-Spd. Automatic, 42RLE  
 DEH = Transmission-6-Speed Manual, NSG370  
 DG0 = Transmissions - All Automatic  
 DBB = ALL MANUAL TRANSMISSIONS

AR = use ase required - = Non illustrated part

**Recliner and Adjuster  
Figure IKJ-810**



ITEM	PART NUMBER	QTY	LINE	SERIES	BODY	ENGINE	TRANS	TRIM	DESCRIPTION
		1						*M7	Right, Inboard
	05072023AA	1	J, U					*DL	Left, Outboard
		1	J, U					*B7	Left, Outboard
		1	J, T					*N5	Left, Outboard
		1	J, U					*L7	Left, Outboard
		1						*J7	Left, Outboard
		1						*B5	Left, Outboard
		1	J, T					*DL	Left, Outboard
		1	J, T					*L7	Left, Outboard
		1						*A5	Left, Outboard
		1						*M7	Left, Outboard
23									CLIP, Cable
	05072013AA	4	J, T					*DL	
		4	J, U					*DL	
		4	J, U					*B7	
		4	J, U					*L7	
		4	J, T					*L7	
		4	J, T					*N5	
		4						*J7	
		4						*B5	
		1						*A5	
		1						*M7	
24	06506791AA	6							SCREW, Seat
25	06507170AA	2							BOLT, Seat
-26	04754806	1	U						BRACKET, Attaches Flare to Front Outboard Riser, Japan Only
27									COVER, Seat Belt Anchor
	5JX80BD1AA	1						*O0	[J1], Right
	5JX80BD5AA	1						*O0	[D5], Right
	5JX80XDBAA	1						*O0	[DB], Right
	5JX80ZJ3AA	1						*O0	[J3], Right
	5JX81BD1AA	1						*O0	[J1], Left

**LIBERTY (KJ)**  
 SERIES      LINE  
 P = LIMITED    J = JEEP - 4WD  
 H = SPORT      U = JEEP - 4WD (RHD)  
 M = RENEGADE   T = JEEP - 2WD

**BODY**  
 74 = SPORT UTILITY 4-DR

**ENGINE**  
 ED1 = Engine - 2.4L 4 Cyl DOHC 16v SMPI  
 EKG = Engine - 3.7L V6  
 ENR = Engine - 2.8L 4 Cyl Turbo Diesel  
 ENO = 4CYL turbo diesel

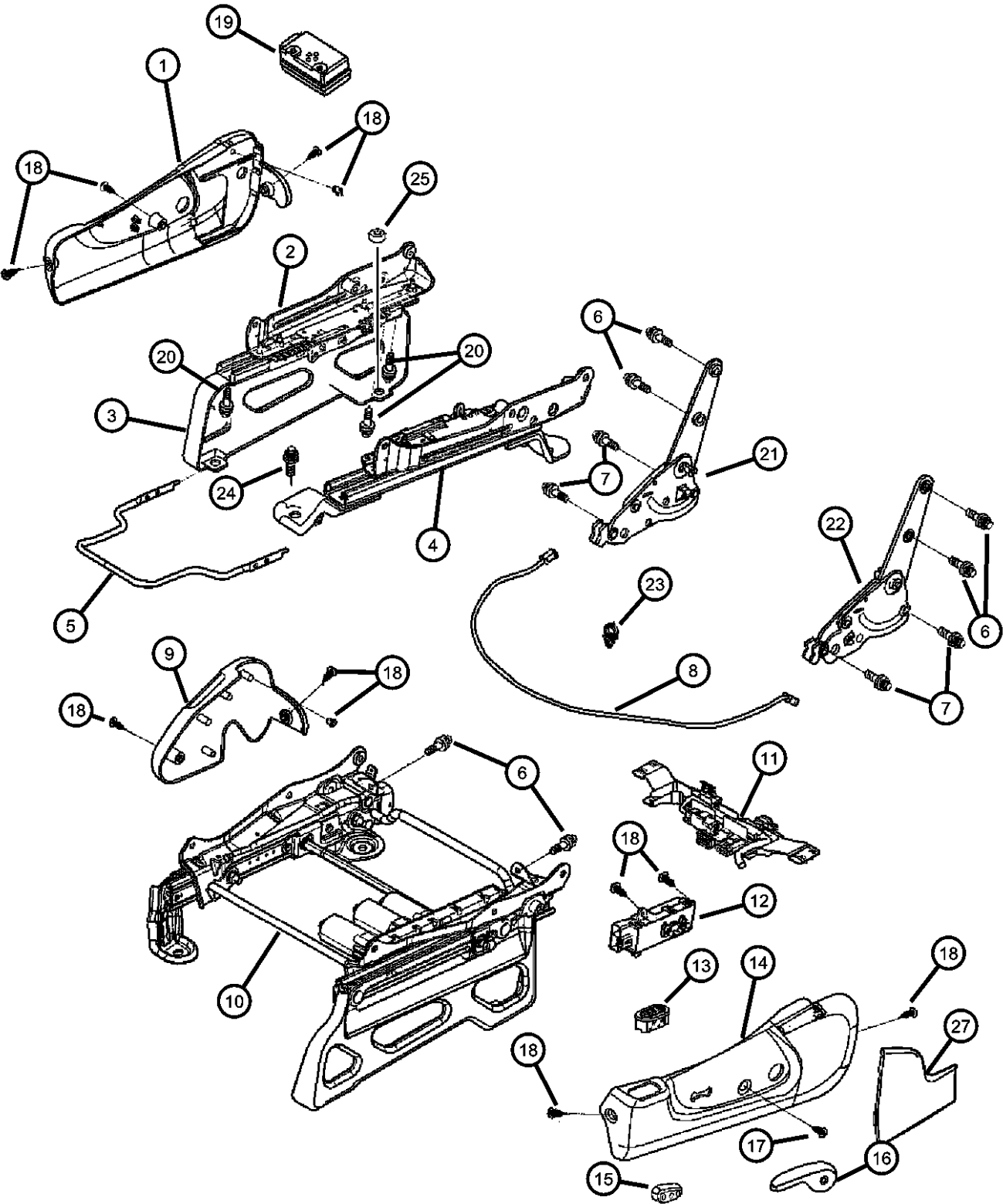
**TRANSMISSION**  
 DGQ = Transmission-5-Spd Automatic 5-45RFE  
 DG6 = Transmission-4-Spd. Automatic, 42RLE  
 DEH = Transmission-6-Speed Manual, NSG370  
 DG0 = Transmissions - All Automatic  
 DBB = ALL MANUAL TRANSMISSIONS

AR = use ase required   - = Non illustrated part

**Recliner and Adjuster  
Figure IKJ-810**

ITEM	PART NUMBER	QTY	LINE	SERIES	BODY	ENGINE	TRANS	TRIM	DESCRIPTION
------	-------------	-----	------	--------	------	--------	-------	------	-------------

	5JX81BD5AA	1						*00	[D5], Left
	5JX81XDBAA	1						*00	[DB], Left
	5JX81ZJ3AA	1						*00	[J3], Left



**LIBERTY (KJ)**  
 SERIES      LINE  
 P = LIMITED    J = JEEP - 4WD  
 H = SPORT      U = JEEP - 4WD (RHD)  
 M = RENEGADE   T = JEEP - 2WD

**BODY**  
 74 = SPORT UTILITY 4-DR

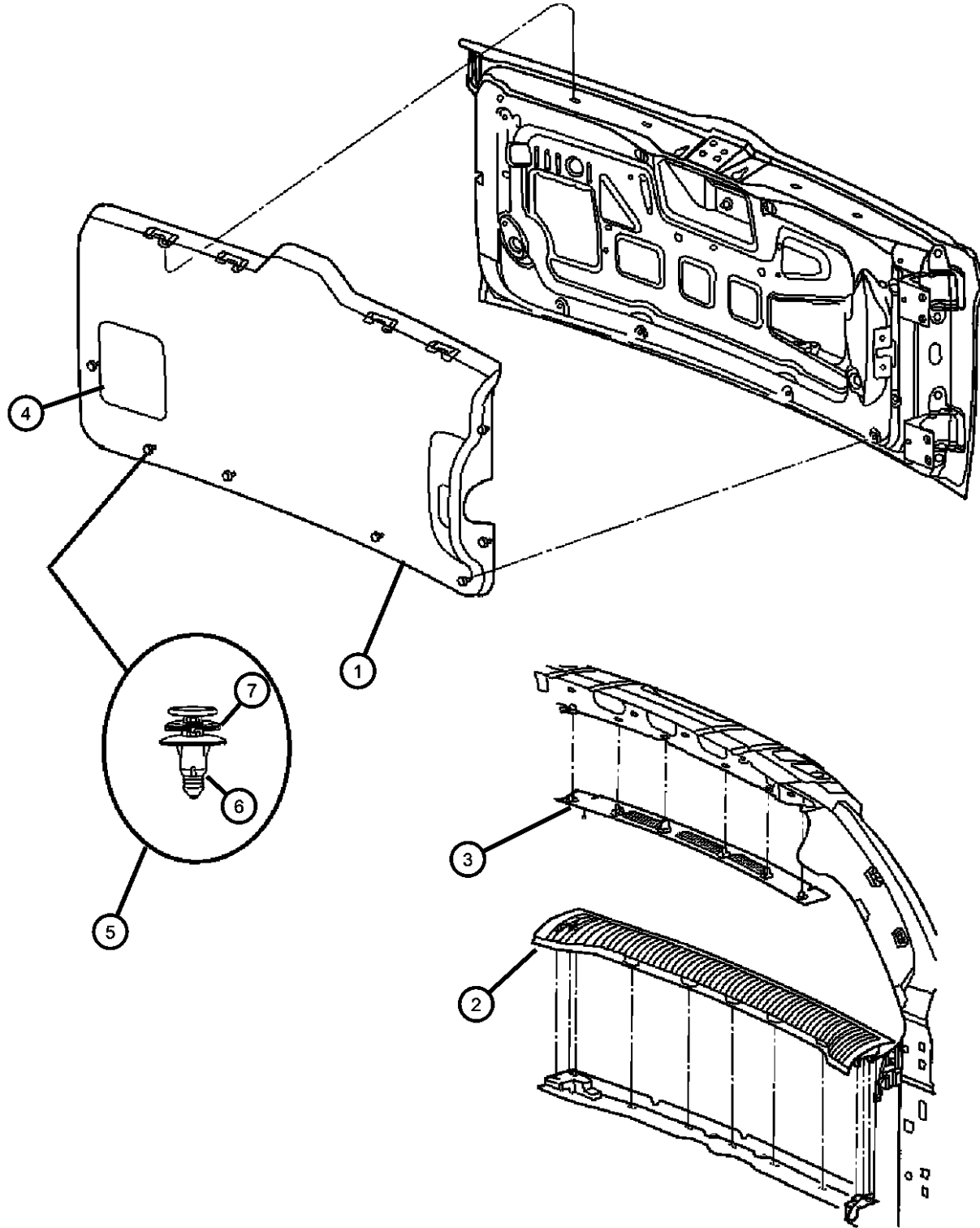
**ENGINE**  
 ED1 = Engine - 2.4L 4 Cyl  
 DOHC 16v SMPI  
 EKG = Engine - 3.7L V6  
 ENR = Engine - 2.8L 4 Cyl  
 Turbo Diesel  
 ENO = 4CYL turbo diesel

**TRANSMISSION**  
 DGQ = Transmission-5-Spd Automatic  
 5-45RFE  
 DG6 = Transmission-4-Spd.  
 Automatic, 42RLE  
 DEH = Transmission-6-Speed Manual,  
 NSG370  
 DG0 = Transmissions - All Automatic  
 DBB = ALL MANUAL  
 TRANSMISSIONS

AR = use ase required - = Non illustrated part

2005 KJ

**Swing Gate Trim Panel  
Figure IKJ-1010**



ITEM	PART NUMBER	QTY	LINE	SERIES	BODY	ENGINE	TRANS	TRIM	DESCRIPTION
1	5GE89BD5AJ	1						*O0	PANEL, Liftgate Lower [D5 , DB]
	5GE89ZJ3AJ	1						*O0	[J1 , J3]
2	5GE73BD5AJ	1						*O0	PLATE, Liftgate Scuff, Lower [D5 , DB]
	5GE73ZJ3AJ	1						*O0	[J1 , J3]
3	5GP80BD5AI	1						*O0	MOLDING, Headliner [D5 , DB]
	5GP80ZJ3AI	1						*O0	[J1 , J3]
4	0WZ20BD5AA	1						*O0	PANEL, Liftgate Glass Latch [D5 , DB]
	0WZ20ZJ3AA	1						*O0	[J1 , J3]
5	05023173AA	9						*O0	RETAINER, Trim Panel
6	05023174AA	9						*O0	PIN, Push
7	05023175AA	9						*O0	GROMMET

**LIBERTY (KJ)**

SERIES      LINE  
P = LIMITED      J = JEEP - 4WD  
H = SPORT      U = JEEP - 4WD (RHD)  
M = RENEGADE      T = JEEP - 2WD

BODY  
74 = SPORT UTILITY 4-DR

ENGINE  
ED1 = Engine - 2.4L 4 Cyl  
DOHC 16v SMPI  
EKG = Engine - 3.7L V6  
ENR = Engine - 2.8L 4 Cyl  
Turbo Diesel  
ENO = 4CYL turbo diesel

TRANSMISSION  
DGQ = Transmission-5-Spd Automatic  
5-45RFE  
DG6 = Transmission-4-Spd.  
Automatic, 42RLE  
DEH = Transmission-6-Speed Manual,  
NSG370  
DG0 = Transmissions - All Automatic  
DBB = ALL MANUAL  
TRANSMISSIONS

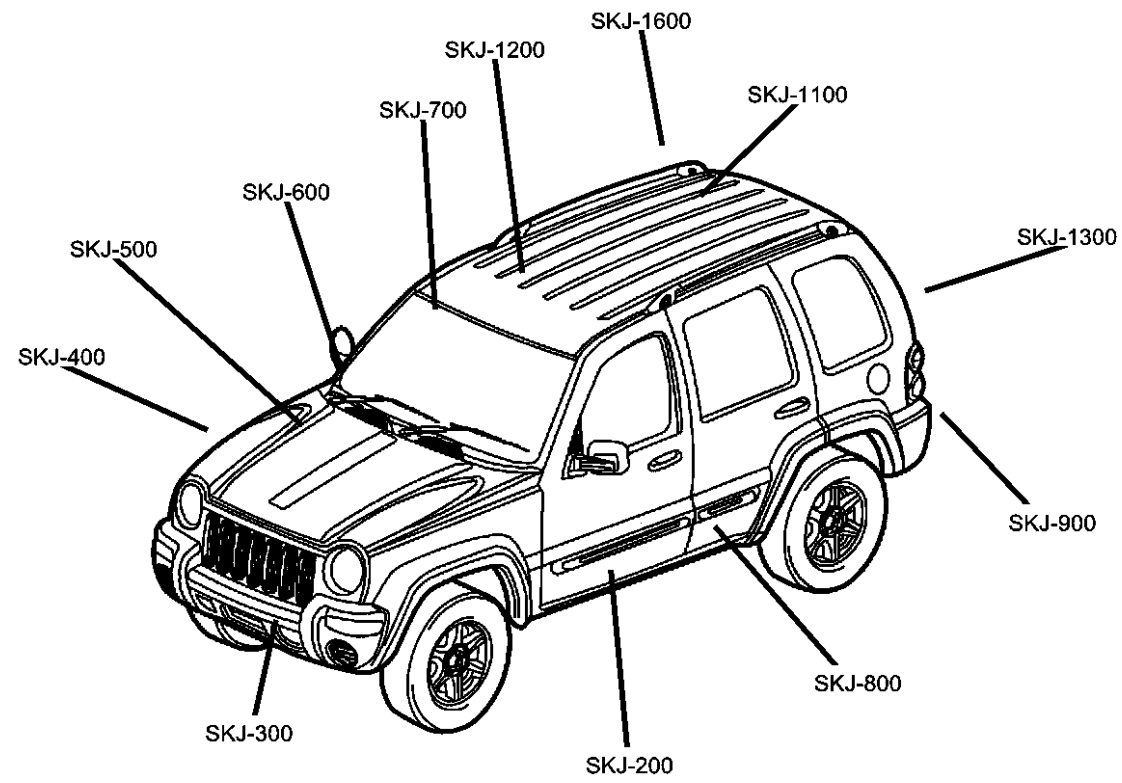
AR = use ase required - = Non illustrated part

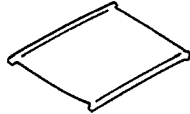

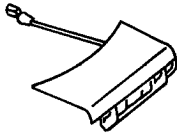

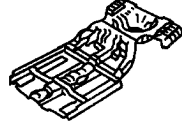

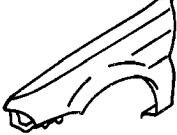
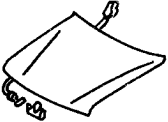
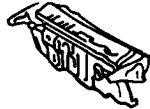

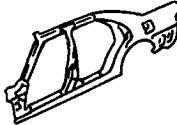
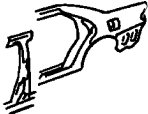
2005 KJ



# Group - SKJ

## Body Sheet Metal Except Doors



<p><b>SKJ-1100</b> Roof Panels</p> 	<p><b>SKJ-1200</b> Sunroof</p> 	<p><b>SKJ-1300</b> Liftgate Panel</p> 	<p><b>SKJ-1600</b> Luggage Rack</p> 
<p><b>SKJ-200</b> Floor Pans</p> 	<p><b>SKJ-300</b> Plugs</p> 	<p><b>SKJ-400</b> Front Fenders</p> 	<p><b>SKJ-500</b> Hood &amp; Hood Release</p> 
<p><b>SKJ-600</b> Cowl and Dash Panel</p> 	<p><b>SKJ-700</b> Glass and Rear View Mirror</p> 	<p><b>SKJ-800</b> Aperture Panel</p> 	<p><b>SKJ-900</b> Quarter Panel and Pillar</p> 

---

## Group - SKJ Body Sheet Metal Except Doors

Illustration Title

Group-Fig. No.

### Floor Pans

Front Floor Pan.....	Fig. SKJ - 210
Rear Floor Pan.....	Fig. SKJ - 220
Plates, Underbody Skid.....	Fig. SKJ - 230

### Plugs

Plugs.....	Fig. SKJ - 310
------------	----------------

### Front Fenders

Front Fender.....	Fig. SKJ - 410
-------------------	----------------

### Hood & Hood Release

Hood, Latch and Hinges.....	Fig. SKJ - 510
-----------------------------	----------------

### Cowl and Dash Panel

Cowl and Dash Panel.....	Fig. SKJ - 610
--------------------------	----------------

### Glass and Rear View Mirror

Windshield, Quarter Window, Backlite and Mirror.....	Fig. SKJ - 710
--	----------------

### Aperture Panel

Panels, Body Side.....	Fig. SKJ - 810
------------------------	----------------

### Quarter Panel and Pillar

Panels, Rear Quarter.....	Fig. SKJ - 910
Fuel Filler Housing and Door.....	Fig. SKJ - 920

### Roof Panels

Roof Panel.....	Fig. SKJ - 1110
-----------------	-----------------

### Sunroof

Sunroof.....	Fig. SKJ - 1210
--------------	-----------------

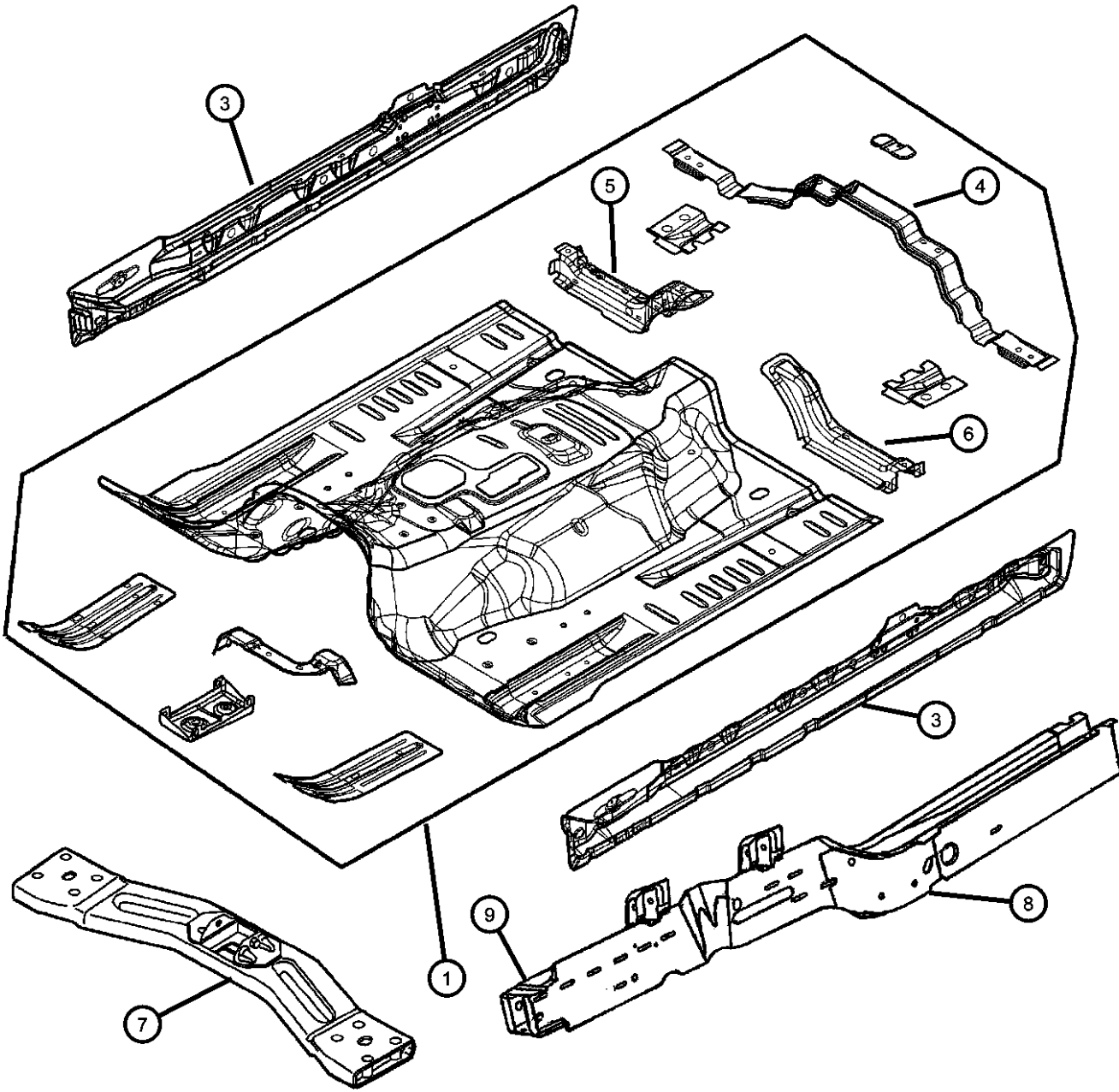
### Liftgate Panel

Swing Gate, Latch, and Hinges.....	Fig. SKJ - 1310
------------------------------------	-----------------

### Luggage Rack

Luggage Rack.....	Fig. SKJ - 1610
-------------------	-----------------

Front Floor Pan  
Figure SKJ-210



ITEM	PART NUMBER	QTY	LINE	SERIES	BODY	ENGINE	TRANS	TRIM	DESCRIPTION
1	55360589AE	1							PAN, Floor
-2	06507033AA	4							STUD
3									SILL, Body Side
	55176878AE	1							Right
	55176879AE	1							Left
4	56052085AA	1							CROSSMEMBER, Front Seat Retention, RearRear
5	56052086AA	1							CROSSMEMBER, Front Seat RetentionRight
6	56052087AA	1							CROSSMEMBER, Front Seat RetentionLeft
7	52128702AB	1							CROSSMEMBER, Transmission
8									PANEL, Sill
	05103422AA	1							Right
	05103423AA	1							Left
9	55360168AA	1	J, T, U		74				BRACKET, Frame Rail
-10	55176760AB	1	J, T, U		74				BRACKET, Frame Rail, Crossmember to radiator bracket

LIBERTY (KJ)

SERIES LINE  
P = LIMITED J = JEEP - 4WD  
H = SPORT U = JEEP - 4WD (RHD)  
M = RENEGADE T = JEEP - 2WD

BODY  
74 = SPORT UTILITY 4-DR

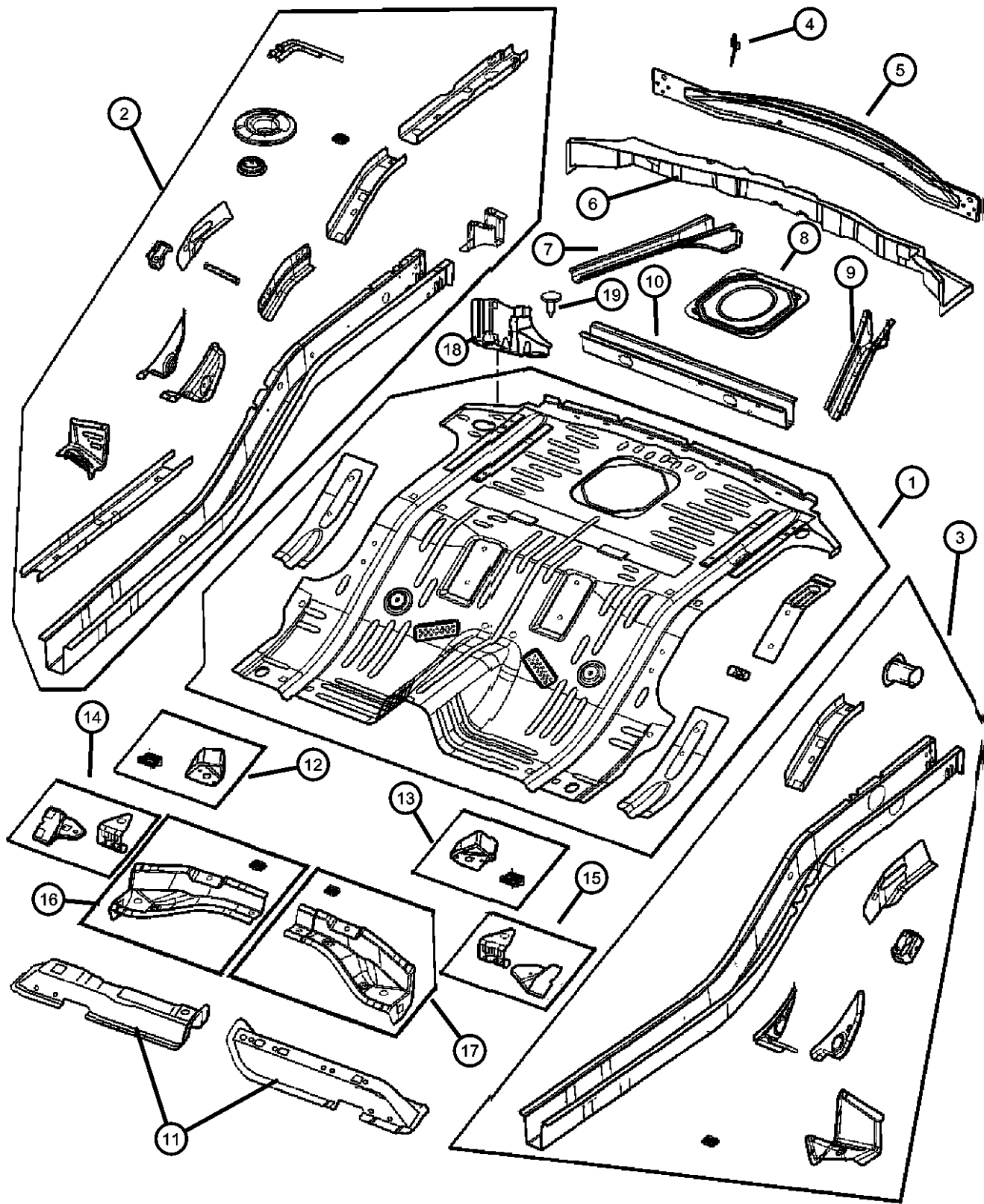
ENGINE  
ED1 = Engine - 2.4L 4 Cyl DOHC 16v SMPI  
EKG = Engine - 3.7L V6  
ENR = Engine - 2.8L 4 Cyl Turbo Diesel  
ENO = 4CYL turbo diesel

TRANSMISSION  
DGQ = Transmission-5-Spd Automatic 5-45RFE  
DG6 = Transmission-4-Spd. Automatic, 42RLE  
DEH = Transmission-6-Speed Manual, NSG370  
DG0 = Transmissions - All Automatic  
DBB = ALL MANUAL TRANSMISSIONS

AR = use ase required - = Non illustrated part

2005 KJ

Rear Floor Pan  
Figure SKJ-220



ITEM	PART NUMBER	QTY	LINE	SERIES	BODY	ENGINE	TRANS	TRIM	DESCRIPTION
1	55360015AG	1							PAN, Floor
2	05080850AB	1							SILL, RearRight
3	05080851AB	1							SILL, RearLeft
4									BAFFLE, Air
	55360260AA	1							Right
	55360261AA	1							Left
5	55360371AB	1							REINFORCEMENT, Liftgate Opening
6	55176846AB	1							CROSSMEMBER, Floor Pan
7	56022913AB	1							SUPPORT, Fuel TankLeft
8	56022913AB	1							DOOR, Fuel Fill, (NOT SERVICED)
9	56022914AB	1							SUPPORT, Fuel TankRight
10	56022915AB	1							CROSSMEMBER, Floor Pan
11									CROSSMEMBER, Floor Pan
	55360062AB	1							Right
	55360063AB	1							Left
12	05073062AA	1							REINFORCEMENT, Rear SeatRight
13	05073063AA	1							REINFORCEMENT, Rear SeatLeft
14	05073060AA	1							BRACKET, Control ArmRight
15	05073061AA	1							BRACKET, Control ArmLeft
16	05073058AA	1							CROSSMEMBER, Rear FloorRight
17	05073059AA	1							CROSSMEMBER, Rear FloorLeft
18									GUSSET, Side Member
	55360368AC	1							Right
	55360369AD	1							Left
19	06507345AA	4							PIN, Push

LIBERTY (KJ)

SERIES      LINE  
P = LIMITED      J = JEEP - 4WD  
H = SPORT      U = JEEP - 4WD (RHD)  
M = RENEGADE      T = JEEP - 2WD

BODY  
74 = SPORT UTILITY 4-DR

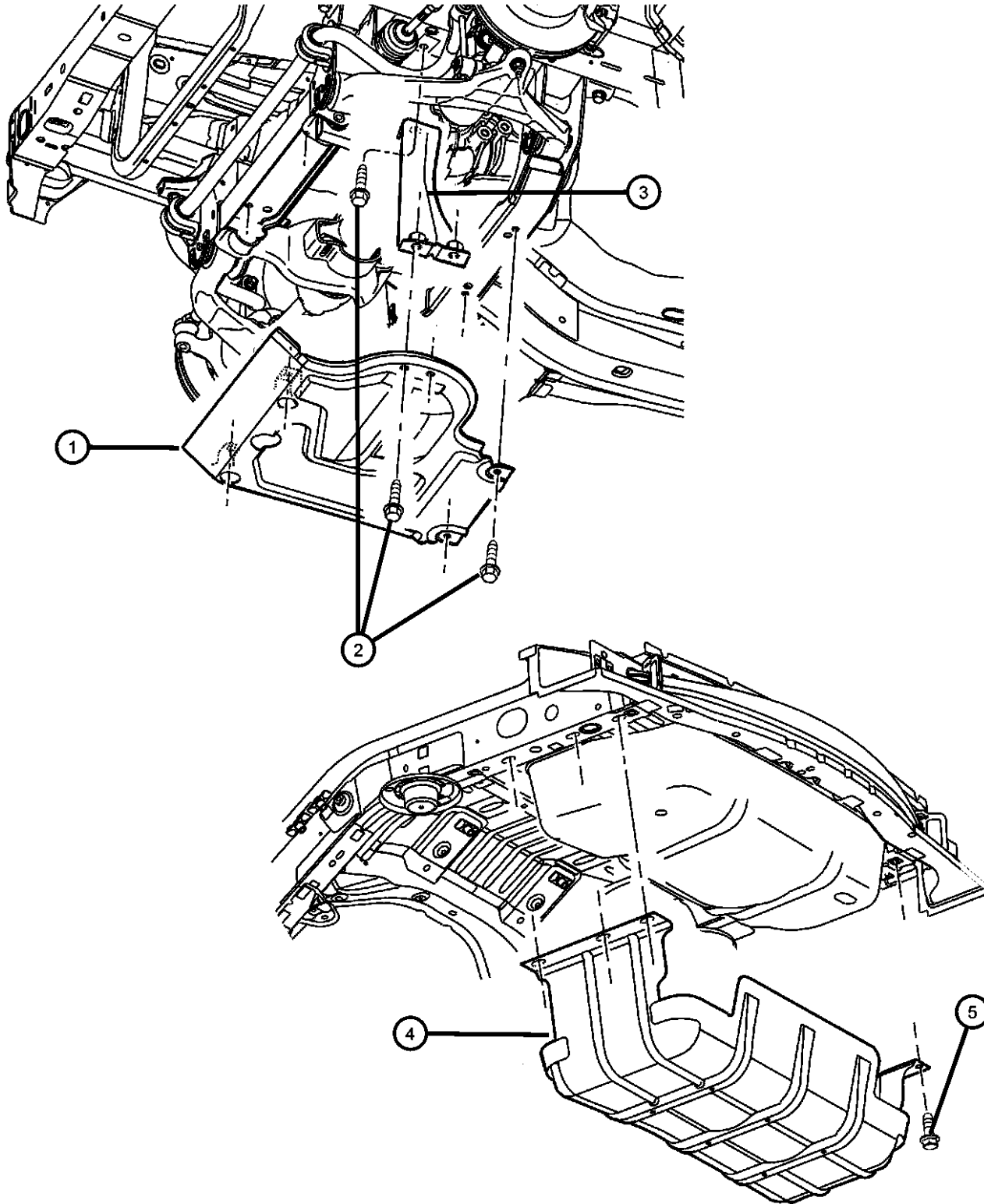
ENGINE  
ED1 = Engine - 2.4L 4 Cyl  
DOHC 16v SMPI  
EKG = Engine - 3.7L V6  
ENR = Engine - 2.8L 4 Cyl  
Turbo Diesel  
ENO = 4CYL turbo diesel

TRANSMISSION  
DGQ = Transmission-5-Spd Automatic  
5-45RFE  
DG6 = Transmission-4-Spd.  
Automatic, 42RLE  
DEH = Transmission-6-Speed Manual,  
NSG370  
DG0 = Transmissions - All Automatic  
DBB = ALL MANUAL  
TRANSMISSIONS

AR = use ase required - = Non illustrated part

2005 KJ

Plates, Underbody Skid  
Figure SKJ-230



ITEM	PART NUMBER	QTY	LINE	SERIES	BODY	ENGINE	TRANS	TRIM	DESCRIPTION
1	52129092AA	1	J, U						SKID PLATE, Front
2	52129092AA	1							SCREW, M10x1.5x30, (NOT SERVICED)
3									BRACKET, Skid Plate
	52128544AA	1	J, U						Right
	52128545AA	1	J, U						Left
4	52100332AG	1							PLATE, Skid
5	06502557	6							BOLT, Hex Flange Head, M12x1.75x40

LIBERTY (KJ)

SERIES      LINE  
P = LIMITED      J = JEEP - 4WD  
H = SPORT      U = JEEP - 4WD (RHD)  
M = RENEGADE      T = JEEP - 2WD

BODY  
74 = SPORT UTILITY 4-DR

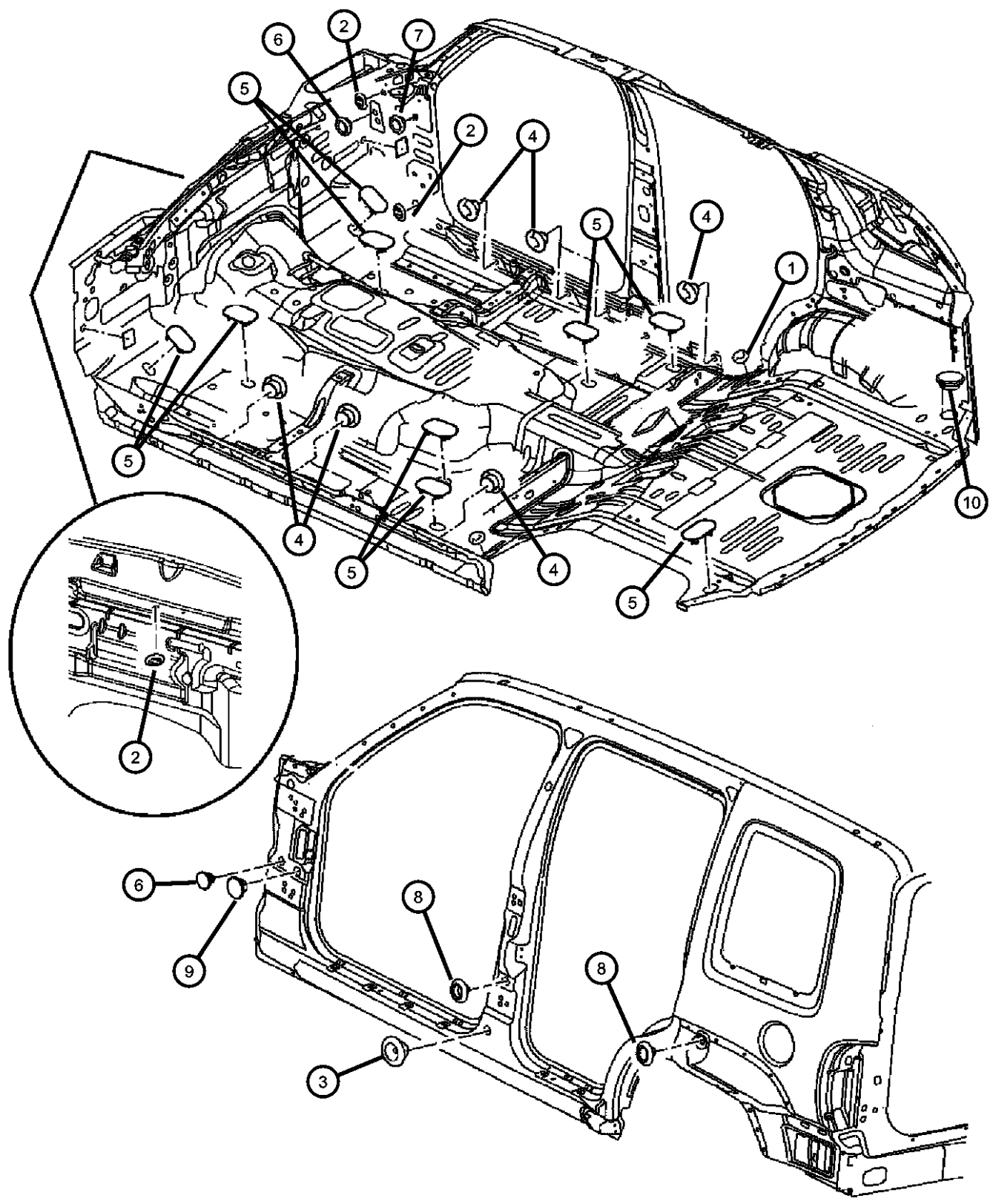
ENGINE  
ED1 = Engine - 2.4L 4 Cyl DOHC 16v SMPI  
EKG = Engine - 3.7L V6  
ENR = Engine - 2.8L 4 Cyl Turbo Diesel  
ENO = 4CYL turbo diesel

TRANSMISSION  
DGQ = Transmission-5-Spd Automatic 5-45RFE  
DG6 = Transmission-4-Spd. Automatic, 42RLE  
DEH = Transmission-6-Speed Manual, NSG370  
DG0 = Transmissions - All Automatic  
DBB = ALL MANUAL TRANSMISSIONS

AR = use ase required - = Non illustrated part

2005 KJ

Plugs  
Figure SKJ-310



ITEM	PART NUMBER	QTY	LINE	SERIES	BODY	ENGINE	TRANS	TRIM	DESCRIPTION
1	04780615AB	2							PLUG, Body, .75 DiameterRear Floor Pan
2	04716933	2							PLUG, Body Side Aperture
3	55257380AD	2							PLUG
4	04780615AB	8							PLUG, Body, .75 Diameter
5	04646971	6							PLUG, Floor Pan
6	55136859AA	2							PLUG, Plastic, Expandable
7	04780615AB	2							PLUG, Body, .75 Diameter
8	55176729AA	4							PLUG
9	55176729AA	4							PLUG, Plastic Expandable, 25mm, (NOT SERVICED)
10	56010048AB	1							PLUG

LIBERTY (KJ)

SERIES      LINE  
P = LIMITED      J = JEEP - 4WD  
H = SPORT      U = JEEP - 4WD (RHD)  
M = RENEGADE      T = JEEP - 2WD

BODY  
74 = SPORT UTILITY 4-DR

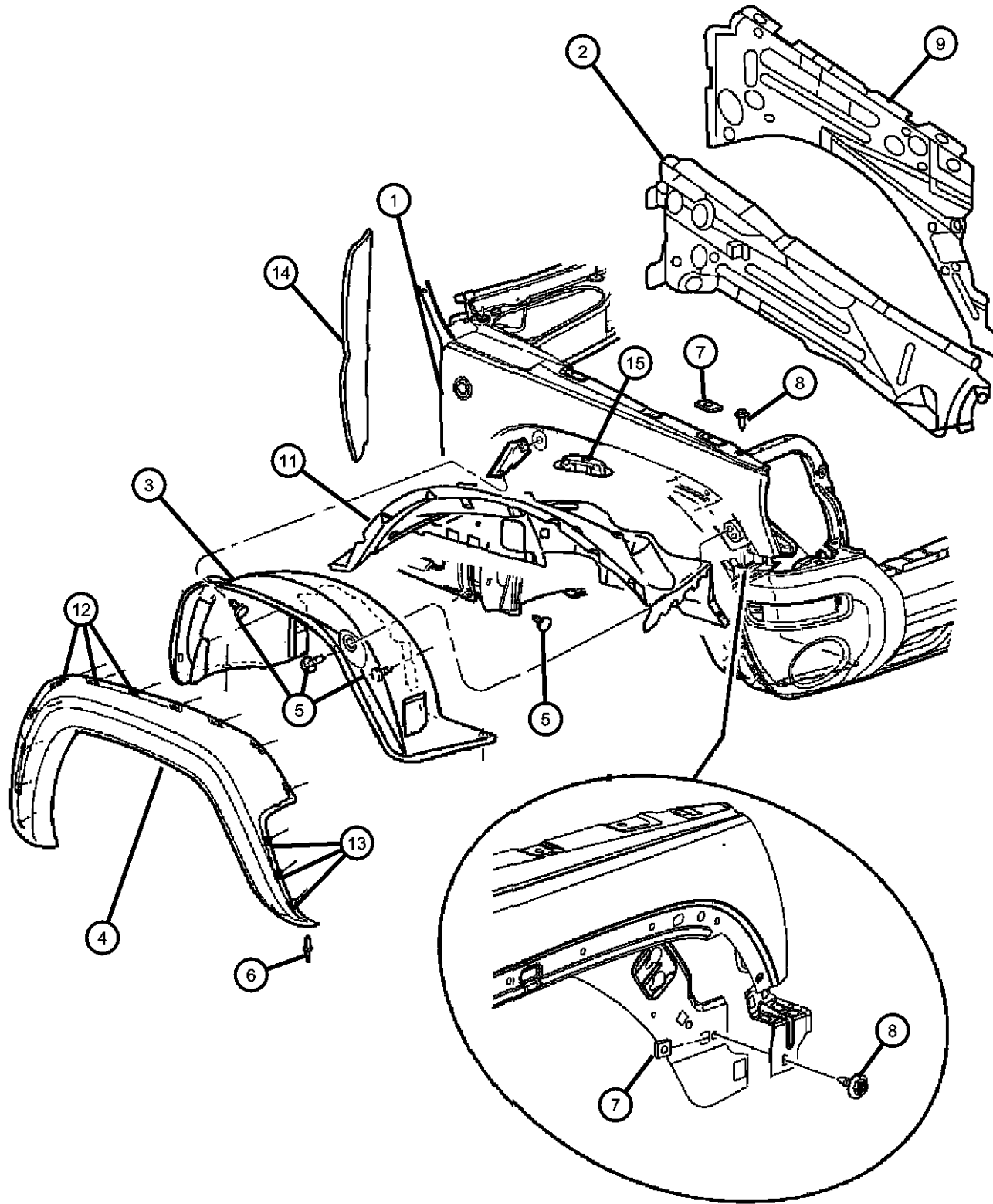
ENGINE  
ED1 = Engine - 2.4L 4 Cyl DOHC 16v SMPI  
EKG = Engine - 3.7L V6  
ENR = Engine - 2.8L 4 Cyl Turbo Diesel  
ENO = 4CYL turbo diesel

TRANSMISSION  
DGQ = Transmission-5-Spd Automatic 5-45RFE  
DG6 = Transmission-4-Spd. Automatic, 42RLE  
DEH = Transmission-6-Speed Manual, NSG370  
DG0 = Transmissions - All Automatic  
DBB = ALL MANUAL TRANSMISSIONS

AR = use ase required - = Non illustrated part

2005 KJ

Front Fender  
Figure SKJ-410



ITEM	PART NUMBER	QTY	LINE	SERIES	BODY	ENGINE	TRANS	TRIM	DESCRIPTION
1	55360598AA	1							FENDER, Front Right
	55360599AA	1							Left
2	55177414AE	1							REINFORCEMENT, Fender Right
	55177415AE	1							Left
3	55156790AB	1							LINER, Front Fender Right
	55156791AB	1							Left
	55157144AB	1							With Diesel Engine, Right
	55157145AB	1							With Diesel Engine, Left
4	5JH42TZZAD	1							APPLIQUE, Fender Wheel Opening [K5], Paint as Required, Right
	5JH43TZZAD	1							[K5], Paint as Required, Left
	5JH46BDLAE	1							[K3L], Right
	5JH47BDLAE	1							[K3L], Left
	5JR68CD7AG	1							[K8P], Right
	5JR68CJMAG	1							[K8E], Right
	5JR69CD7AG	1							[K8P], Left
	5JR69CJMAG	1							[K8E], Left
5	06036155AA	8							PIN, Push
6	06506007AA	8							RIVET
7	06504118	6							U-NUT, M6 x 1.00, M6x1.00
8	06505903AA	2							SCREW AND WASHER, Self Tapping, M6x1x22
9	55177016AF	1							PANEL, Fender, Inner Right
	55177017AF	1							Left
-10	55360428AB	1							BRACKET, Ballstud, Gas Prop Mounting Right
	55360429AB	1							Left
11									WHEELHOUSE, Front Inner

LIBERTY (KJ)

SERIES LINE  
P = LIMITED J = JEEP - 4WD  
H = SPORT U = JEEP - 4WD (RHD)  
M = RENEGADE T = JEEP - 2WD

BODY  
74 = SPORT UTILITY 4-DR

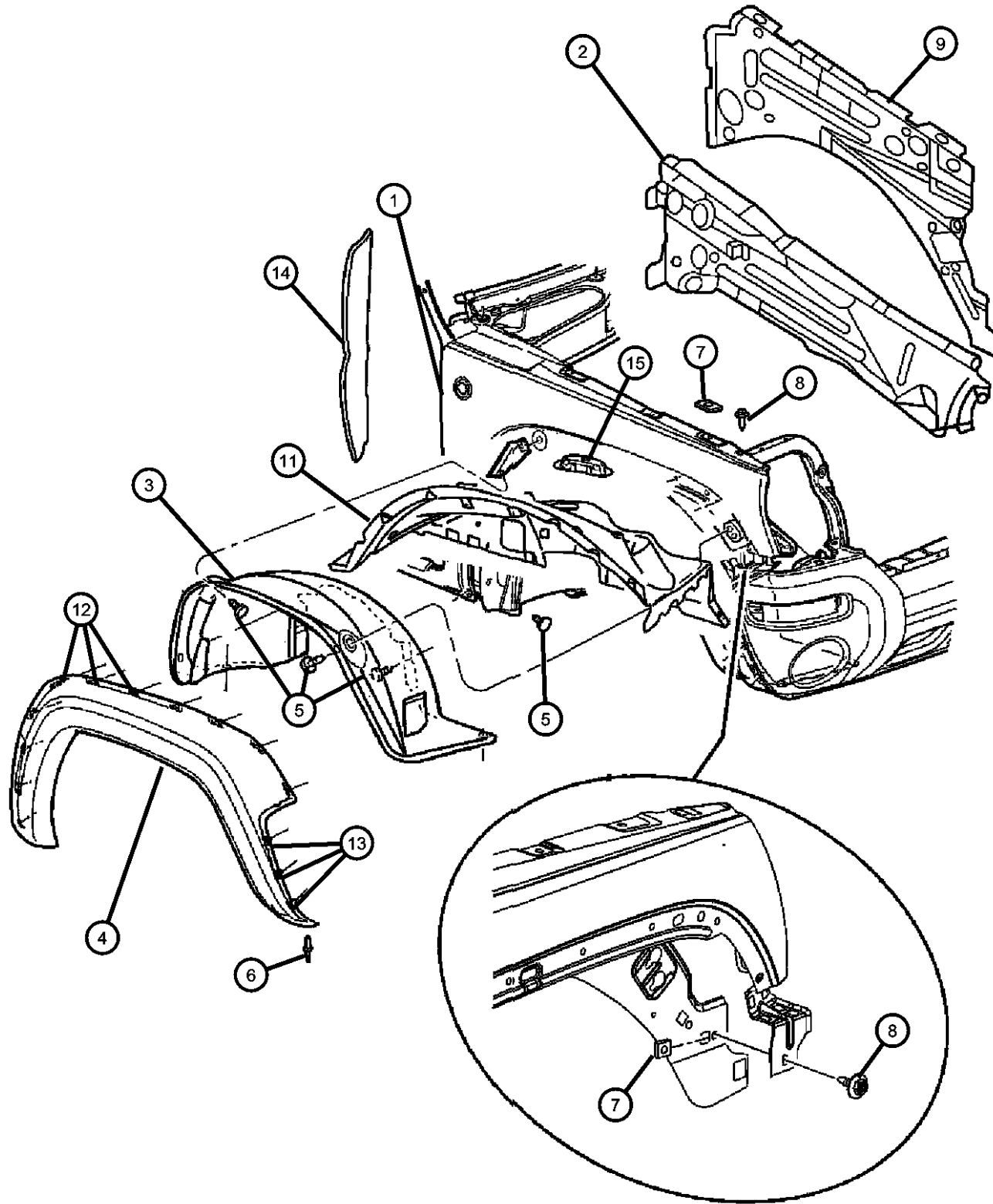
ENGINE  
ED1 = Engine - 2.4L 4 Cyl DOHC 16v SMPI  
EKG = Engine - 3.7L V6  
ENR = Engine - 2.8L 4 Cyl Turbo Diesel  
ENO = 4CYL turbo diesel

TRANSMISSION  
DGQ = Transmission-5-Spd Automatic 5-45RFE  
DG6 = Transmission-4-Spd. Automatic, 42RLE  
DEH = Transmission-6-Speed Manual, NSG370  
DG0 = Transmissions - All Automatic  
DBB = ALL MANUAL TRANSMISSIONS

AR = use ase required - = Non illustrated part

2005 KJ

Front Fender  
Figure SKJ-410



ITEM	PART NUMBER	QTY	LINE	SERIES	BODY	ENGINE	TRANS	TRIM	DESCRIPTION
	55176858AJ	1							Right
	55176859AL	1							Left
12	55156447AB	5							PIN, Push
13	55156429AA	2							RETAINER, Applique
14	55360718AA	2							SEAL, Fender To Cowl
15	55360201AC	1							CUP, Jounce Bumper
-16	55197186AC	2							SILENCER, Fender Side
17									SILENCER, Shock Tower
	55197150AC	1							Right
	55197151AE	1							Left

LIBERTY (KJ)

SERIES      LINE  
P = LIMITED      J = JEEP - 4WD  
H = SPORT      U = JEEP - 4WD (RHD)  
M = RENEGADE      T = JEEP - 2WD

BODY  
74 = SPORT UTILITY 4-DR

ENGINE  
ED1 = Engine - 2.4L 4 Cyl  
DOHC 16v SMPI  
EKG = Engine - 3.7L V6  
ENR = Engine - 2.8L 4 Cyl  
Turbo Diesel  
ENO = 4CYL turbo diesel

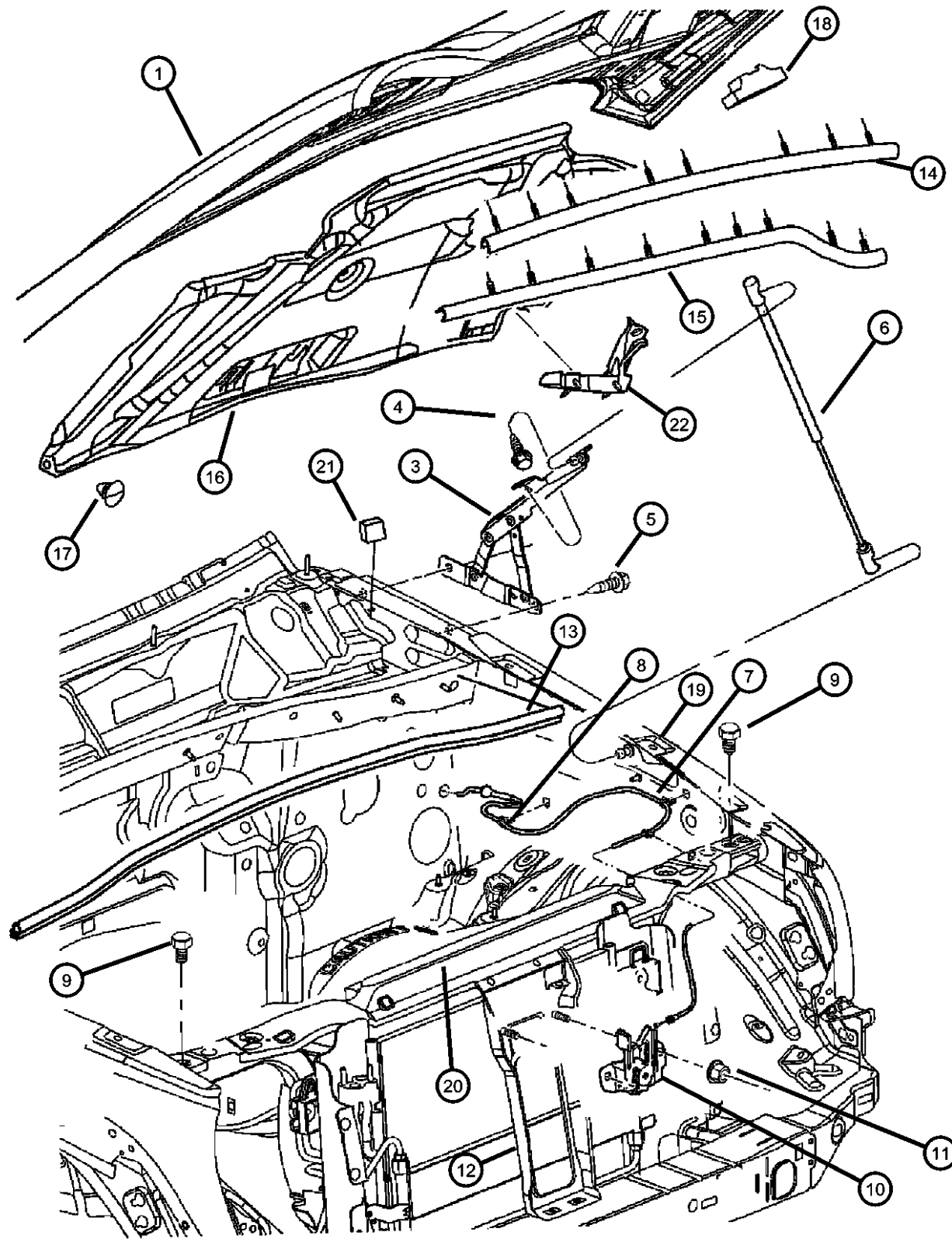
TRANSMISSION  
DGQ = Transmission-5-Spd Automatic  
5-45RFE  
DG6 = Transmission-4-Spd.  
Automatic, 42RLE  
DEH = Transmission-6-Speed Manual,  
NSG370  
DG0 = Transmissions - All Automatic  
DBB = ALL MANUAL  
TRANSMISSIONS

AR = use ase required - = Non illustrated part

2005 KJ



Hood, Latch and Hinges  
Figure SKJ-510



ITEM	PART NUMBER	QTY	LINE	SERIES	BODY	ENGINE	TRANS	TRIM	DESCRIPTION
1	55177200AF	1							HOOD
	55360667AC	1							Series 'M'
-2	55360976AA	2							BUMPER, Hood, Overslam, These are on the front corner of the hood [Small]
3	55176928AD	1							HINGE, Hood Right
	55176929AB	1							Left
4	55176929AB	1							SCREW AND WASHER, Hex Head, M6X1.00X19.00, (NOT SERVICED)
5	06505940AA	4							SCREW, M8-1.25
6	55360411AB	2							PROP, Hood
7	55360280AF	1							CABLE, Hood Release
8	04814094	2							CLIP, Hood Latch Release
9	04696592	2							BUMPER, Hood
10	55176926AC	1							LATCH, Hood
11	06503102	2							NUT AND WASHER, Hex Nut-Coned Washer, M6 x 1.00
12	55360681AB	1							REINFORCEMENT, Hood Latch Series 'M'
	55360694AB	1							
13	55360717AA	1							SEAL, Hood To Cowl
14	55360714AB	1							SEAL, Hood To Radiator
15	55360715AB	1							SEAL, Hood
16	55197144AD	1							INSULATION, Hood With Turbo Diesel Engine
	55352746AF	1							With [ED0] and [EKO] Engines
17	06504135	8							PIN, Push In, M6.3x15 LG
18	55360258AB	2							SEAL, Hood To Plenum
19	55360428AB	1							BRACKET, Ballstud Right
	55360429AB	1							Left

LIBERTY (KJ)

SERIES LINE  
P = LIMITED J = JEEP - 4WD  
H = SPORT U = JEEP - 4WD (RHD)  
M = RENEGADE T = JEEP - 2WD

BODY  
74 = SPORT UTILITY 4-DR

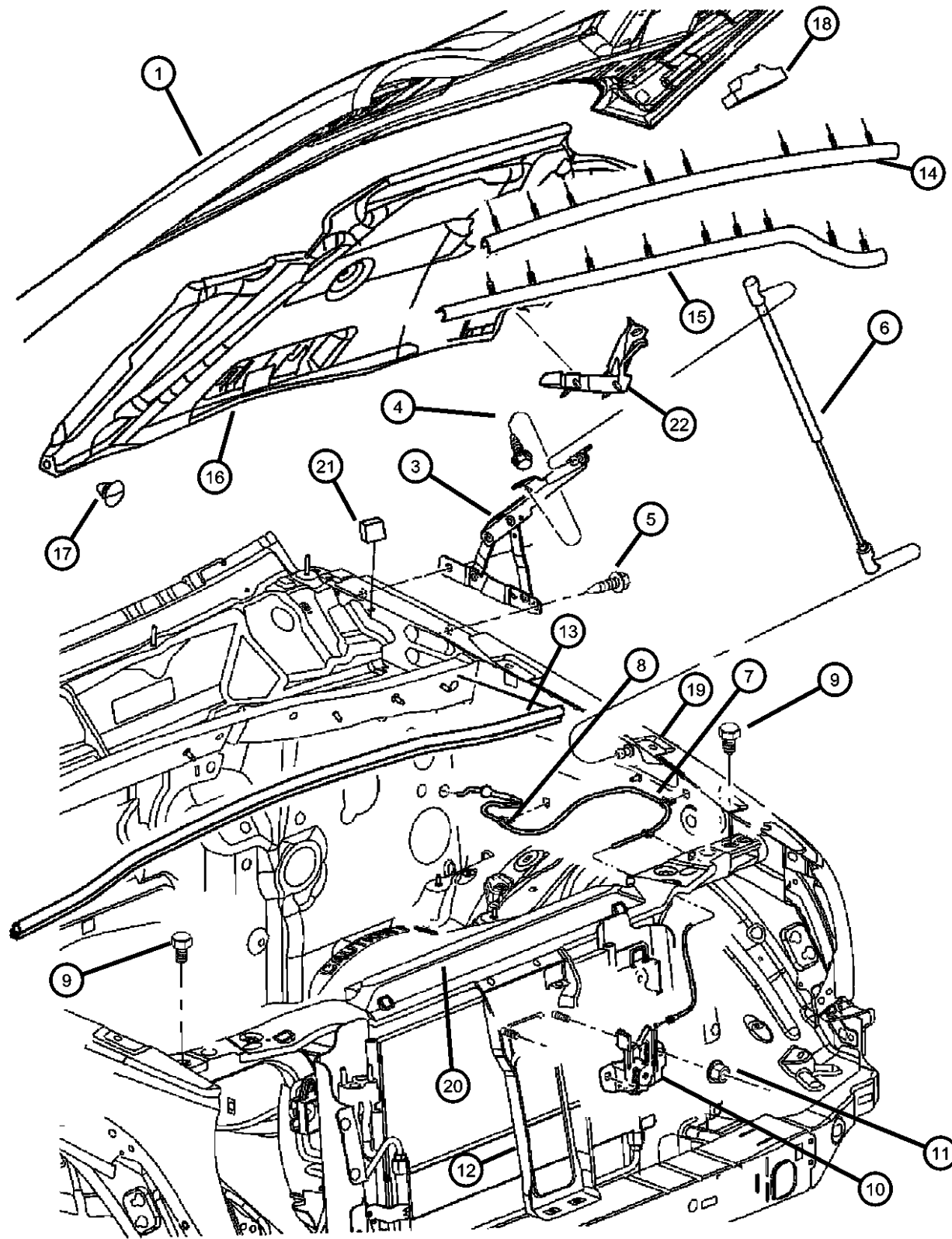
ENGINE  
ED1 = Engine - 2.4L 4 Cyl DOHC 16v SMPI  
EKG = Engine - 3.7L V6  
ENR = Engine - 2.8L 4 Cyl Turbo Diesel  
ENO = 4CYL turbo diesel

TRANSMISSION  
DGQ = Transmission-5-Spd Automatic 5-45RFE  
DG6 = Transmission-4-Spd. Automatic, 42RLE  
DEH = Transmission-6-Speed Manual, NSG370  
DG0 = Transmissions - All Automatic  
DBB = ALL MANUAL TRANSMISSIONS

AR = use ase required - = Non illustrated part

2005 KJ

Hood, Latch and Hinges  
Figure SKJ-510



ITEM	PART NUMBER	QTY	LINE	SERIES	BODY	ENGINE	TRANS	TRIM	DESCRIPTION
20	55176763AF	1							CROSSMEMBER, Radiator
21	55360542AD	1							SEAL, A-Pillar Blocker Right
	55360543AD	1							Left
22	55360551AC	1							SEAL, Air Inlet

LIBERTY (KJ)

SERIES      LINE  
P = LIMITED      J = JEEP - 4WD  
H = SPORT      U = JEEP - 4WD (RHD)  
M = RENEGADE      T = JEEP - 2WD

BODY  
74 = SPORT UTILITY 4-DR

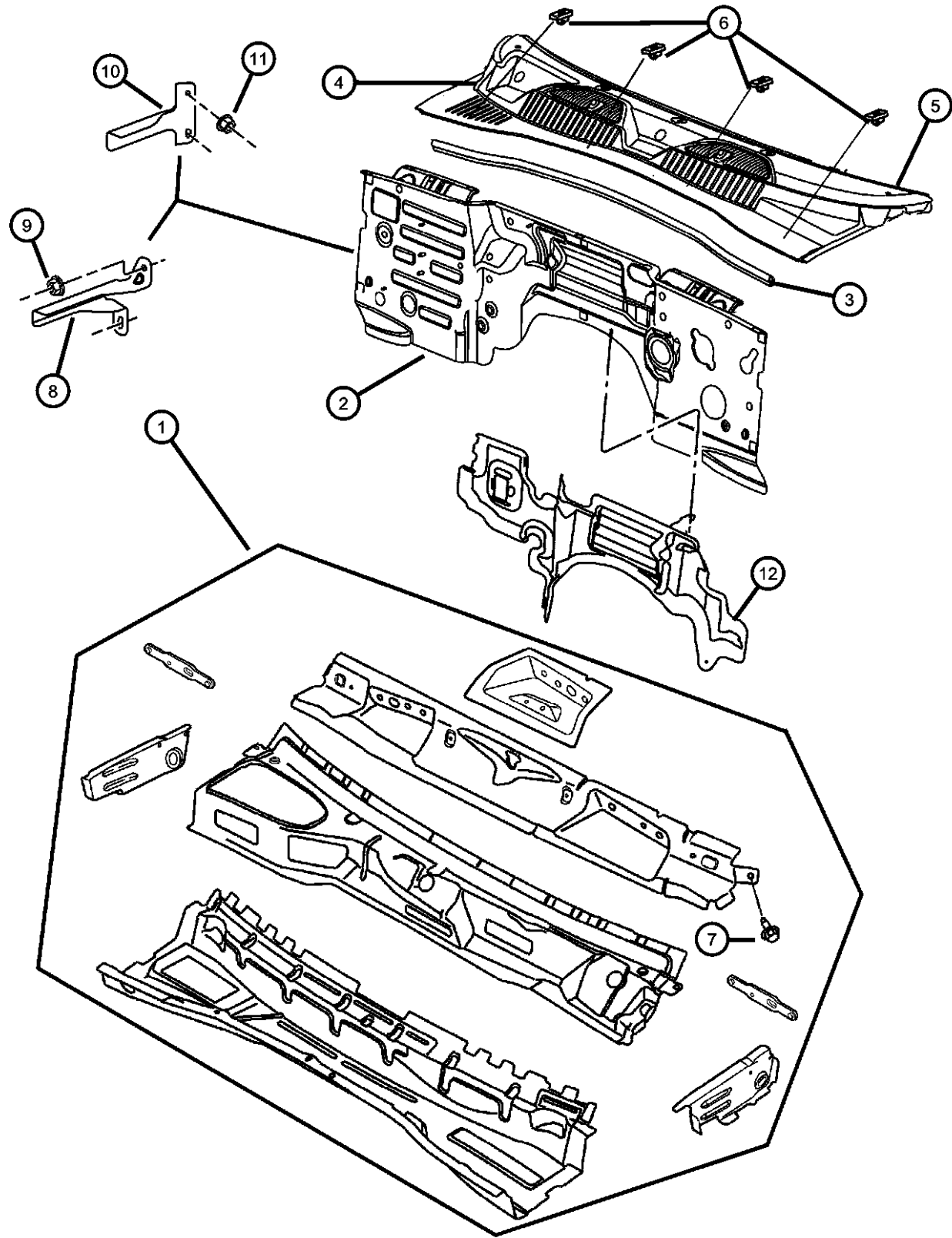
ENGINE  
ED1 = Engine - 2.4L 4 Cyl  
DOHC 16v SMPI  
EKG = Engine - 3.7L V6  
ENR = Engine - 2.8L 4 Cyl  
Turbo Diesel  
ENO = 4CYL turbo diesel

TRANSMISSION  
DGQ = Transmission-5-Spd Automatic  
5-45RFE  
DG6 = Transmission-4-Spd.  
Automatic, 42RLE  
DEH = Transmission-6-Speed Manual,  
NSG370  
DG0 = Transmissions - All Automatic  
DBB = ALL MANUAL  
TRANSMISSIONS

AR = use ase required - = Non illustrated part

2005 KJ

**Cowl and Dash Panel  
Figure SKJ-610**



ITEM	PART NUMBER	QTY	LINE	SERIES	BODY	ENGINE	TRANS	TRIM	DESCRIPTION
1	55176776AD	1	U						PANEL, Plenum Complete
	55176767AD	1	J, T						
2	55177300AD	1	J, T						PANEL, Dash
	55177350AC	1	U						
3	55360717AA	1							SEAL, Hood To Cowl
4	55155850AJ	1	U						COVER, Cowl Grille
	55155851AJ	1	J, T						
5	05071165AA	1	J, T						SEAL, Cowl Screen To Windshield
6	06501925	4							PIN, Splash Shield
7	06503328	4							SCREW, Hex Head, M8x1.25x30
8	55360203AA	1	U						BRACKET, Coolant Recovery Bottle, RHD
9	06101467	2	U						NUT, Hex Flange, M8x1.25, RHD
10	55360202AA	1	J, T						BRACKET, Coolant Recovery Bottle
11	06104725AA	2	J, T						NUT AND WASHER, M6x1
12	55352847AD	1	J, T						INSULATION, Dash Panel

**LIBERTY (KJ)**

SERIES      LINE  
P = LIMITED      J = JEEP - 4WD  
H = SPORT      U = JEEP - 4WD (RHD)  
M = RENEGADE      T = JEEP - 2WD

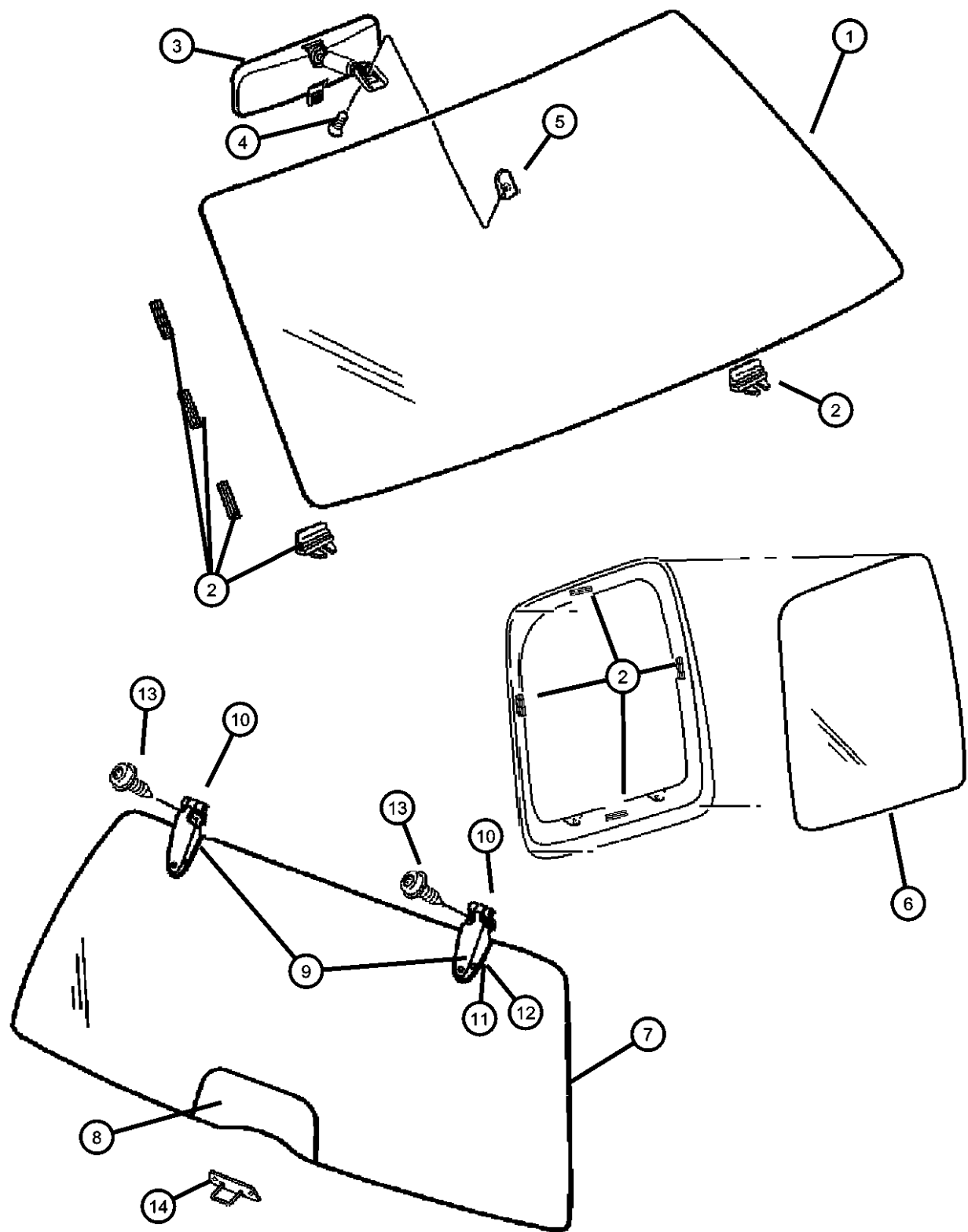
BODY  
74 = SPORT UTILITY 4-DR

ENGINE  
ED1 = Engine - 2.4L 4 Cyl DOHC 16v SMPI  
EKG = Engine - 3.7L V6  
ENR = Engine - 2.8L 4 Cyl Turbo Diesel  
ENO = 4CYL turbo diesel

TRANSMISSION  
DGQ = Transmission-5-Spd Automatic 5-45RFE  
DG6 = Transmission-4-Spd. Automatic, 42RLE  
DEH = Transmission-6-Speed Manual, NSG370  
DG0 = Transmissions - All Automatic  
DBB = ALL MANUAL TRANSMISSIONS

AR = use ase required - = Non illustrated part

**Windshield, Quarter Window, Backlite and Mirror**  
**Figure SKJ-710**



ITEM	PART NUMBER	QTY	LINE	SERIES	BODY	ENGINE	TRANS	TRIM	DESCRIPTION
------	-------------	-----	------	--------	------	--------	-------	------	-------------

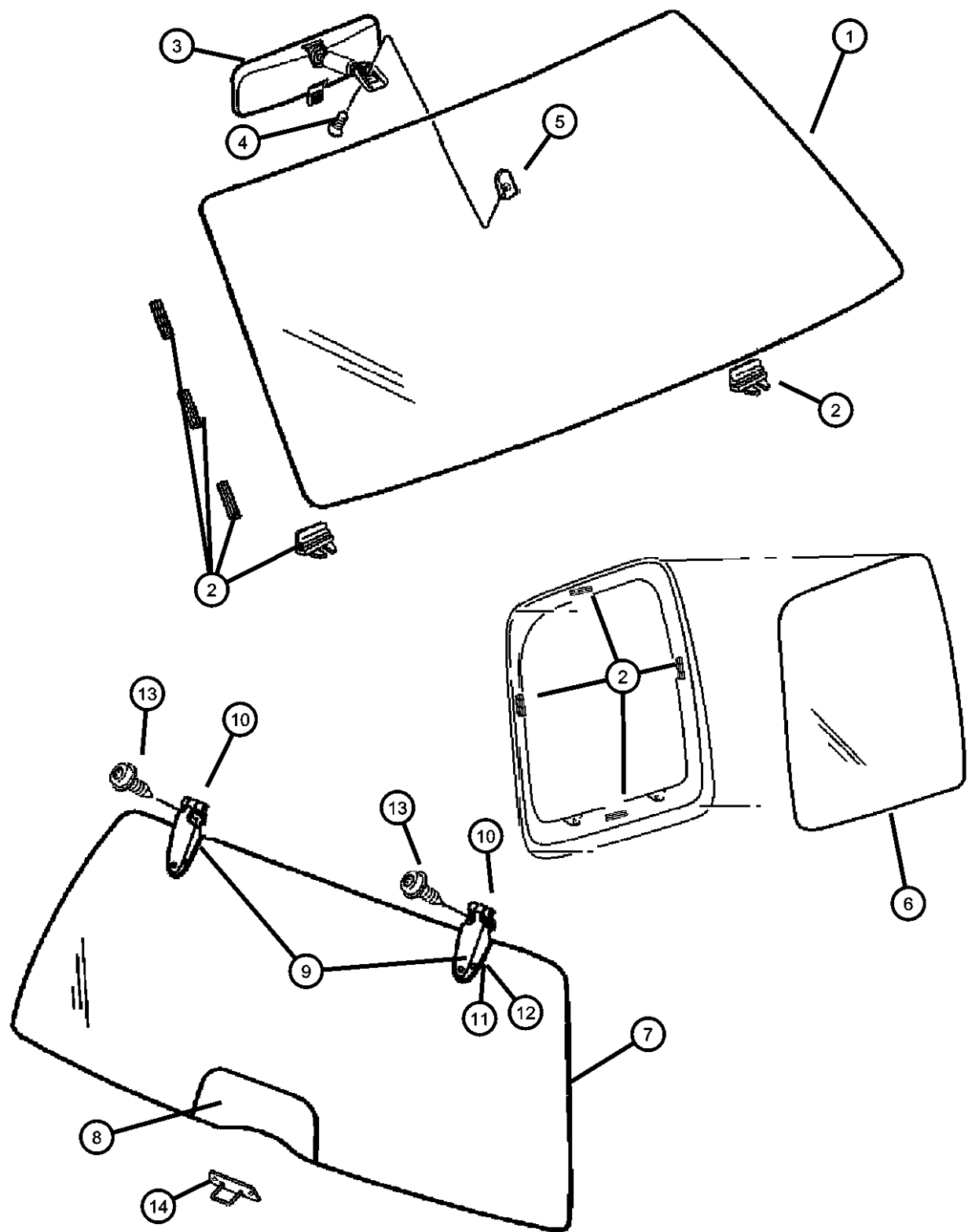
Sales Codes:  
 [GNA] = Rear View Day/Night  
 [GNK] = Rear View Auto Dim  
 [RSP] Uconnect Hands Free Communication

1	05093459AD DW01511GTN	1							WINDSHIELD, 30-Lite Collision Replacement Glass
2	55360509AA	4							SPACER, Windshield
3									MIRROR, Inside Rear View
	04805332AB	1							[GNA] Day/Night
	04805572AB	1							[GNK] Auto Dim
	05064017AB	1							[GNK] Auto Dim and [RSP] Uconnect Hands Free Communication
4	05073472AA	1							SCREW
5	55076401	1							BUTTON, Rear View Mirror
6									GLASS, Quarter
	55235920AD	1							Tinted, Right
	DQ09988GTN								Collision Replacement Glass
	55235921AD	1							Tinted, Left
	DQ09989GTN								Collision Replacement Glass
	55235922AD	1							Privacy, Right
	DQ10067YPN								Collision Replacement Glass
	55235923AD	1							Privacy, Left
	DQ10068YPN								Collision Replacement Glass
	55360054AD	1							Tinted, With Antenna, Export, Right
	Q09990G-EM								Collision Replacement Glass
	55360056AD	1							Privacy, With Antenna, Export, Right
	Q10069Y-EM								Collision Replacement Glass
7									BACKLITE
	55360340AU	1							Tinted
	55360342AU	1							Privacy
8	55360709AA	1							PAD, Flipper Glass
9									COVER, Hinge

LIBERTY (KJ)		BODY	ENGINE	TRANSMISSION
SERIES	LINE	74 = SPORT UTILITY 4-DR	ED1 = Engine - 2.4L 4 Cyl DOHC 16v SMPI	DGQ = Transmission-5-Spd Automatic 5-45RFE
P = LIMITED	J = JEEP - 4WD		EKG = Engine - 3.7L V6	DG6 = Transmission-4-Spd. Automatic, 42RLE
H = SPORT	U = JEEP - 4WD (RHD)		ENR = Engine - 2.8L 4 Cyl Turbo Diesel	DEH = Transmission-6-Speed Manual, NSG370
M = RENEGADE	T = JEEP - 2WD		ENO = 4CYL turbo diesel	DG0 = Transmissions - All Automatic
				DBB = ALL MANUAL TRANSMISSIONS

AR = use ase required - = Non illustrated part

**Windshield, Quarter Window, Backlite and Mirror**  
**Figure SKJ-710**

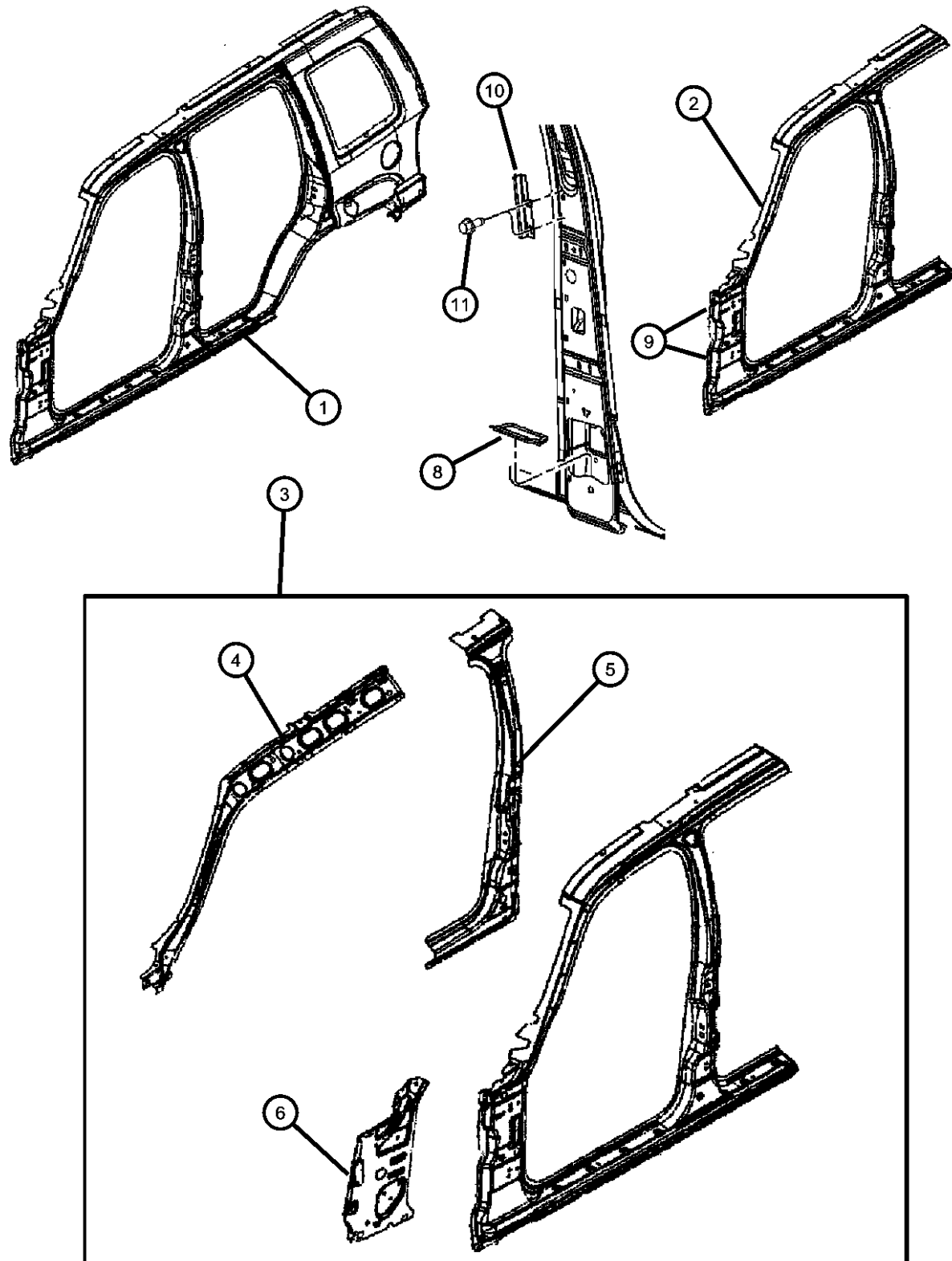


ITEM	PART NUMBER	QTY	LINE	SERIES	BODY	ENGINE	TRANS	TRIM	DESCRIPTION
	55360366AE	1							Right
	55360367AE	1							Left
10									HINGE, Liftglass
	55360216AD	1							Right
	55360217AD	1							Left
11	55296025	2							SCREW, Special Head, M6x1x12.7
12	55075164	4							GASKET, Liftgate Hinge
13	06507883AA	4							SCREW, M5x.8x22.50
14	06507883AA	4							STRIKER, Liftgate Glass, Service with Backlite, (NOT SERVICED)
-15	06504513	6							NUT AND WASHER, Hex Nut-Coned Washer, M6 x 1.00
-16									LABEL, Flipper Glass
	55360573AA	1							Use With Tinted Glass, French
	55360582AA	1							Use With Privacy Glass, French
	55360583AA	1							Use With Privacy Glass, Arabic
-17	55360561AA	1							TAPE, Anti-Squeak

<b>LIBERTY (KJ)</b>				
SERIES	LINE	BODY	ENGINE	TRANSMISSION
P = LIMITED	J = JEEP - 4WD	74 = SPORT UTILITY 4-DR	ED1 = Engine - 2.4L 4 Cyl DOHC 16v SMPI	DGQ = Transmission-5-Spd Automatic 5-45RFE
H = SPORT	U = JEEP - 4WD (RHD)		EKG = Engine - 3.7L V6	DG6 = Transmission-4-Spd. Automatic, 42RLE
M = RENEGADE	T = JEEP - 2WD		ENR = Engine - 2.8L 4 Cyl Turbo Diesel	DEH = Transmission-6-Speed Manual, NSG370
			ENO = 4CYL turbo diesel	DG0 = Transmissions - All Automatic
				DBB = ALL MANUAL TRANSMISSIONS

AR = use ase required - = Non illustrated part

Panels, Body Side  
Figure SKJ-810



ITEM	PART NUMBER	QTY	LINE	SERIES	BODY	ENGINE	TRANS	TRIM	DESCRIPTION
1	55176962AF	1							APERTURE, Body Side, Complete Outer Right
	55176963AF	1							Left
2	05170004AA	1							PANEL PACKAGE, Body Side Aperture Front, Front Outer Only Right
	05170005AA	1							Left
3	05170006AA	1							PANEL PACKAGE, Body Side Aperture Front, Complete Inner and Outer Front Right
	05170007AA	1							Left
4	55176960AJ	1							REINFORCEMENT, Front Pillar, Includes Roof Header Support Right
	55176961AJ	1							Left
5	55176966AG	1							REINFORCEMENT, Center Pillar Inner Right
	55176967AG	1							Left
6	55177400AD	1							PANEL, Cowl Right
	55177401AD	1							Left
-7	06507016AA	AR							STUD
8	55360196AE	1							BAFFLE, B Pillar Right
	55360197AE	1							Left
9	55360233AC	4							TAPPING PLATE, Door Hinge
10	55352862AA	1							BRACKET, Offset Impact Right
	55352863AA	1							Left
11	06101945	4							SCREW

LIBERTY (KJ)

SERIES LINE  
P = LIMITED J = JEEP - 4WD  
H = SPORT U = JEEP - 4WD (RHD)  
M = RENEGADE T = JEEP - 2WD

BODY  
74 = SPORT UTILITY 4-DR

ENGINE  
ED1 = Engine - 2.4L 4 Cyl DOHC 16v SMPI  
EKG = Engine - 3.7L V6  
ENR = Engine - 2.8L 4 Cyl Turbo Diesel  
ENO = 4CYL turbo diesel

TRANSMISSION  
DGQ = Transmission-5-Spd Automatic 5-45RFE  
DG6 = Transmission-4-Spd. Automatic, 42RLE  
DEH = Transmission-6-Speed Manual, NSG370  
DG0 = Transmissions - All Automatic  
DBB = ALL MANUAL TRANSMISSIONS

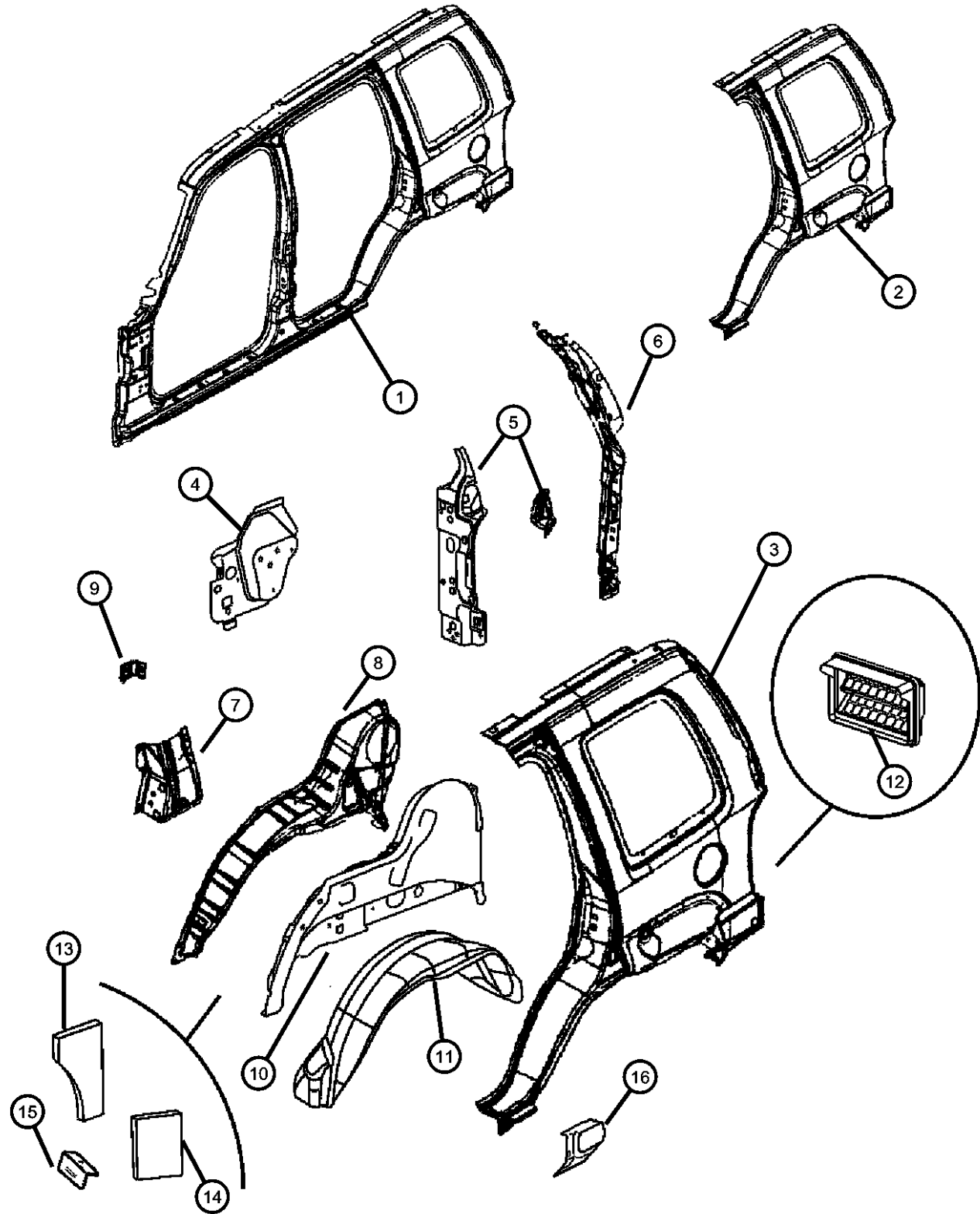
AR = use ase required - = Non illustrated part

2005 KJ



**Panels, Rear Quarter  
Figure SKJ-910**

ITEM	PART NUMBER	QTY	LINE	SERIES	BODY	ENGINE	TRANS	TRIM	DESCRIPTION
------	-------------	-----	------	--------	------	--------	-------	------	-------------



	55360147AD	1							Left
12	55037458AB	2							EXHAUSTER, Quarter Panel
13	55352854AA	1							INSULATION, Side PanelRight Side, Upper
14	55352846AA	1							INSULATION, Side PanelRight Side, Lower
15	55136998AC	1							BRACKET, Wheel House
16									BRACKET, Sill
	55360444AB	1							Right
	55360445AB	1							Left

**LIBERTY (KJ)**

SERIES	LINE
P = LIMITED	J = JEEP - 4WD
H = SPORT	U = JEEP - 4WD (RHD)
M = RENEGADE	T = JEEP - 2WD

BODY  
74 = SPORT UTILITY 4-DR

ENGINE  
ED1 = Engine - 2.4L 4 Cyl  
DOHC 16v SMPI  
EKG = Engine - 3.7L V6  
ENR = Engine - 2.8L 4 Cyl  
Turbo Diesel  
ENO = 4CYL turbo diesel

TRANSMISSION  
DGQ = Transmission-5-Spd Automatic  
5-45RFE  
DG6 = Transmission-4-Spd.  
Automatic, 42RLE  
DEH = Transmission-6-Speed Manual,  
NSG370  
DG0 = Transmissions - All Automatic  
DBB = ALL MANUAL  
TRANSMISSIONS

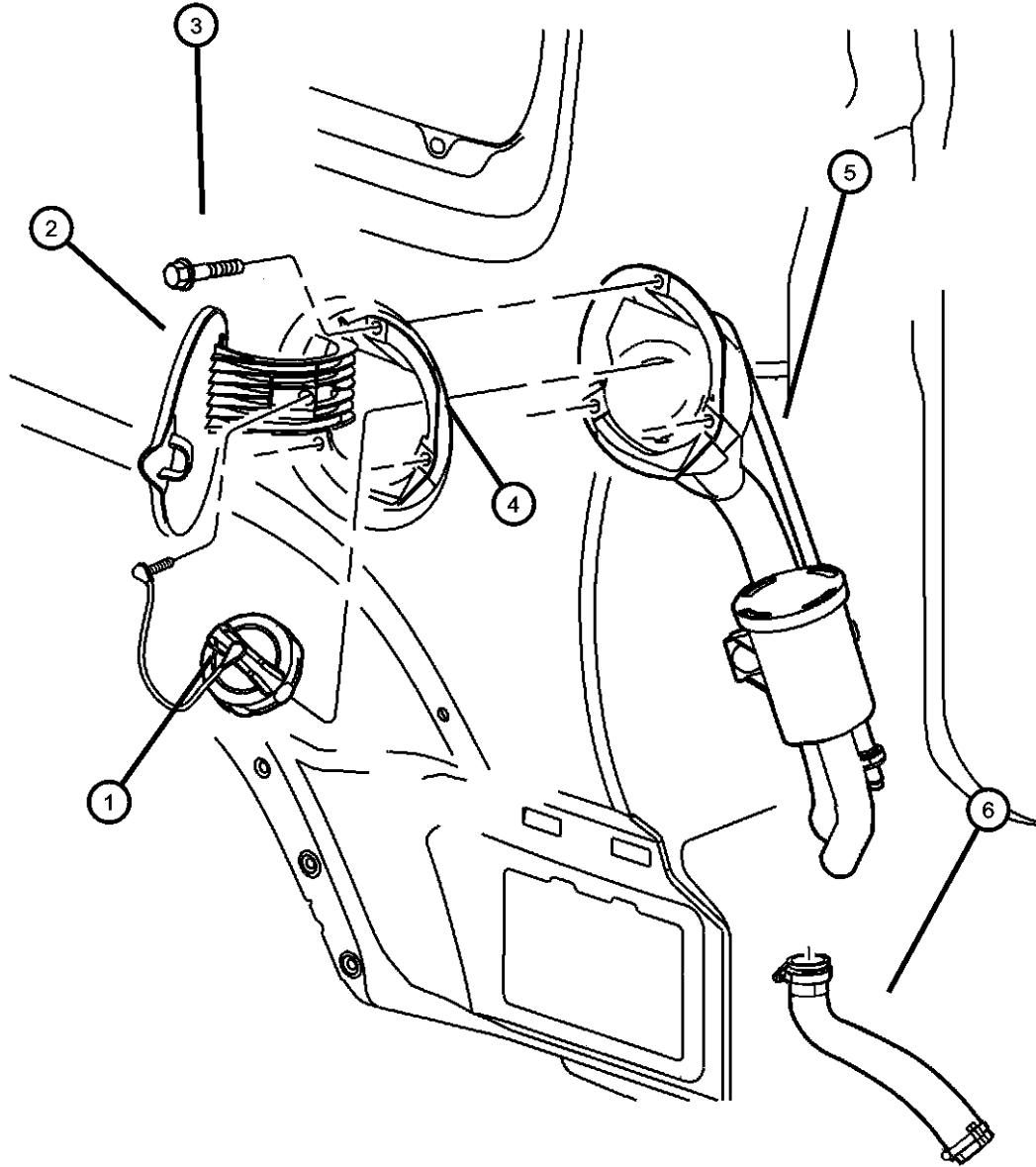
AR = use ase required - = Non illustrated part

2005 KJ



**Fuel Filler Housing and Door  
Figure SKJ-920**

ITEM	PART NUMBER	QTY	LINE	SERIES	BODY	ENGINE	TRANS	TRIM	DESCRIPTION
1	05015636AB	1							CAP KIT, Fuel Tank Locking
2	04674991AG	1							DOOR, Fuel Filler Manual Access
3	06035204	3							SCREW, Tapping, .19-16x.75
4	04716571AD	1							HOUSING, Fuel Filler
5									TUBE, Fuel Filler
	52129234AB	1							Diesel
	52129235AA	1							Diesel
6	52129236AB	1							HOSE, Fuel Filler
-7	04716532	1							SPRING, Fuel Filler Door



**LIBERTY (KJ)**

SERIES      LINE  
P = LIMITED      J = JEEP - 4WD  
H = SPORT      U = JEEP - 4WD (RHD)  
M = RENEGADE      T = JEEP - 2WD

BODY  
74 = SPORT UTILITY 4-DR

ENGINE  
ED1 = Engine - 2.4L 4 Cyl  
DOHC 16v SMPI  
EKG = Engine - 3.7L V6  
ENR = Engine - 2.8L 4 Cyl  
Turbo Diesel  
ENO = 4CYL turbo diesel

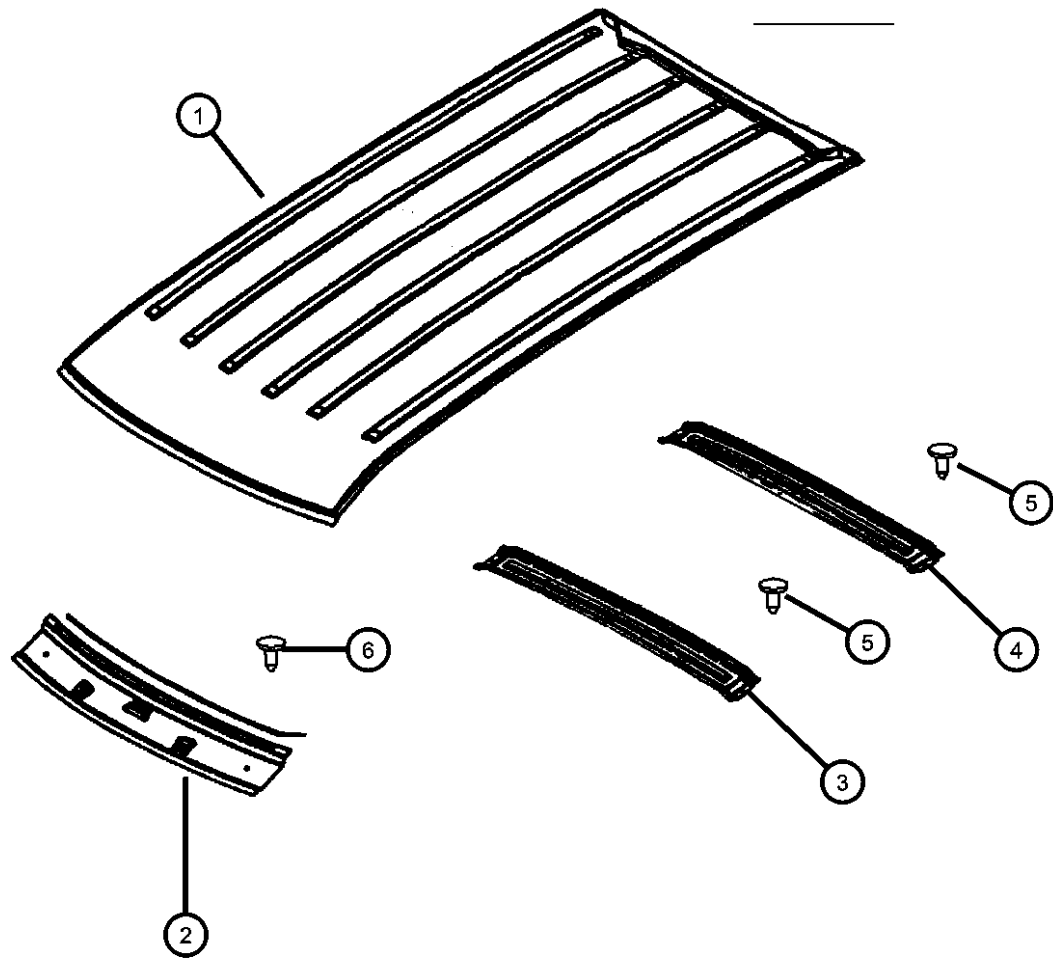
TRANSMISSION  
DGQ = Transmission-5-Spd Automatic  
5-45RFE  
DG6 = Transmission-4-Spd.  
Automatic, 42RLE  
DEH = Transmission-6-Speed Manual,  
NSG370  
DG0 = Transmissions - All Automatic  
DBB = ALL MANUAL  
TRANSMISSIONS

AR = use ase required    - = Non illustrated part

2005 KJ

**Roof Panel  
Figure SKJ-1110**

ITEM	PART NUMBER	QTY	LINE	SERIES	BODY	ENGINE	TRANS	TRIM	DESCRIPTION
1	55176994AC	1							PANEL, Roof Without Sunroof
	55176995AD	1							With Sunroof
2	55177022AB	1							HEADER, Roof Front
3	55360281AA	1							BOW, Roof, Without Sunroof
4	55176998AA	1							BOW, Roof
5	55176998AA	1							PUSH PIN, M6.35x18.50, (NOT SERVICED)
6	06030441	1							PIN, Retainer



**LIBERTY (KJ)**

SERIES      LINE  
P = LIMITED      J = JEEP - 4WD  
H = SPORT      U = JEEP - 4WD (RHD)  
M = RENEGADE      T = JEEP - 2WD

BODY  
74 = SPORT UTILITY 4-DR

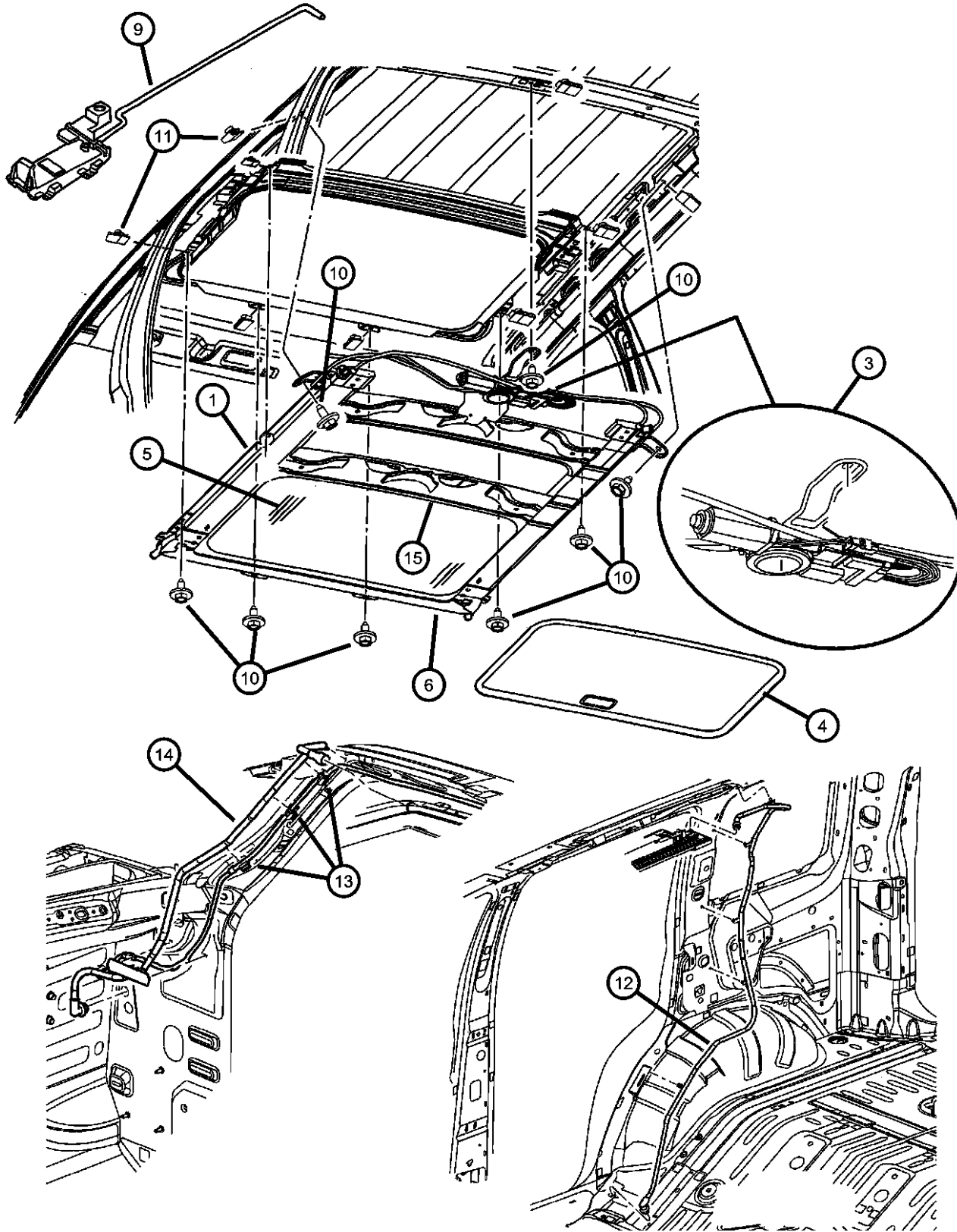
ENGINE  
ED1 = Engine - 2.4L 4 Cyl  
DOHC 16v SMPI  
EKG = Engine - 3.7L V6  
ENR = Engine - 2.8L 4 Cyl  
Turbo Diesel  
ENO = 4CYL turbo diesel

TRANSMISSION  
DGQ = Transmission-5-Spd Automatic  
5-45RFE  
DG6 = Transmission-4-Spd.  
Automatic, 42RLE  
DEH = Transmission-6-Speed Manual,  
NSG370  
DG0 = Transmissions - All Automatic  
DBB = ALL MANUAL  
TRANSMISSIONS

AR = use ase required - = Non illustrated part

2005 KJ

**Sunroof  
Figure SKJ-1210**



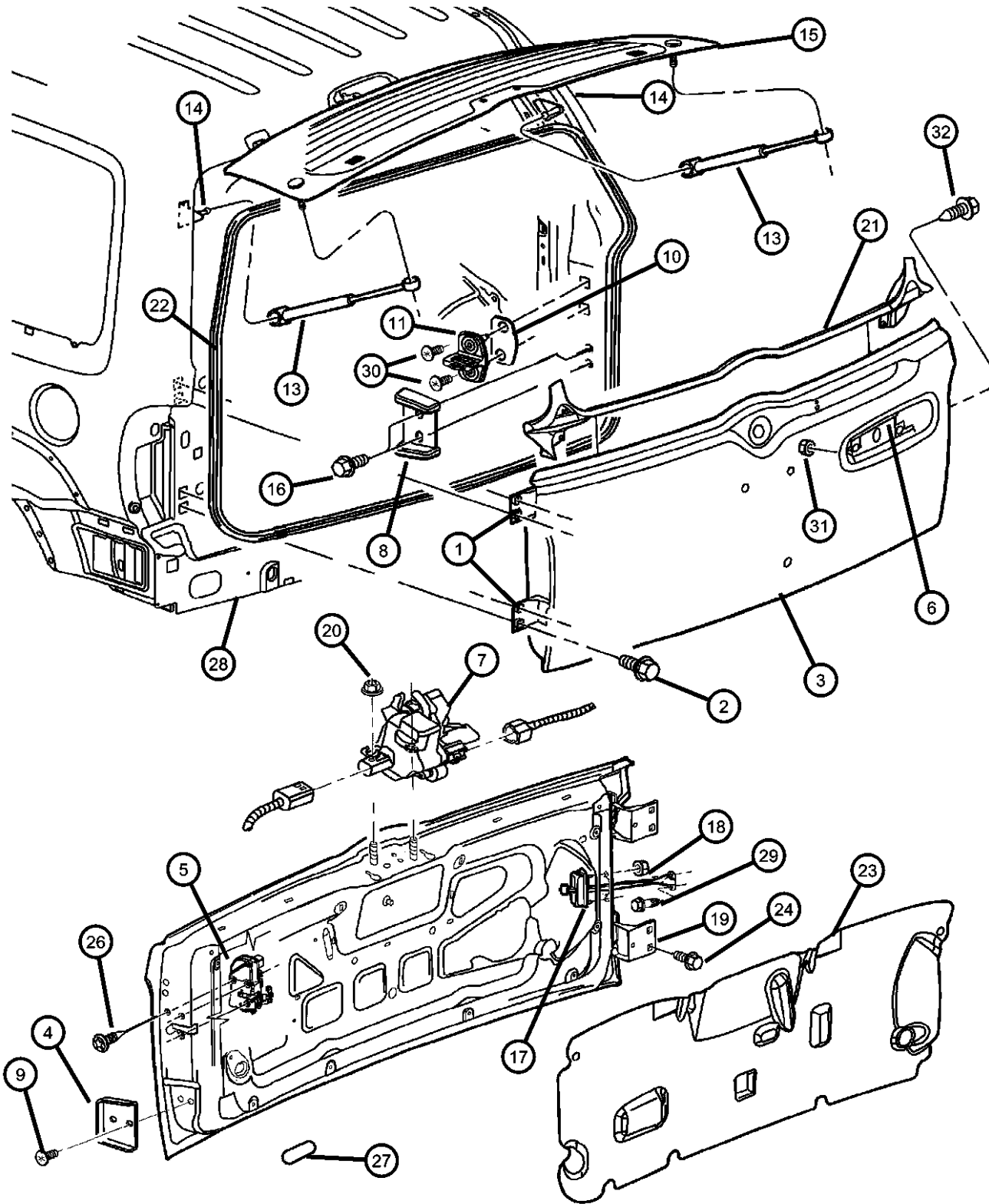
ITEM	PART NUMBER	QTY	LINE	SERIES	BODY	ENGINE	TRANS	TRIM	DESCRIPTION
Note: Guides 5066433AB attach to frame brace 5101844AA. Frame brace 5101844AA pulls sunshade open when in closed position.									
1	05101963AA	1							MODULE, Sunroof
-2	05066895AB	1							DEFLECTOR, Sunroof Wind
3	05096260AA	1							MOTOR, Sunroof, With Control Unit
4	0UX06BD1AA	1							SUNSHADE, Sunroof
5	05066892AA	1							GLASS, Sunroof
6	05066896AA	1							SEAL, Sunroof Glass
-7	0UX09BD1AA	1							TRIM LACE, Sunroof
-8	05101961AA	1							WIRING, Sunroof
9	05066433AC	1							GUIDE, Sunroof Track, Contains Right & Left Guides and 2 Push Nuts
10	06505728AA	8							SCREW AND WASHER, Hex Head, M6x1x17
11	06506035AA	10							NUT, U, M6x1
12									HOSE, Sunroof Drain, Rear
	55360180AF	1							Right
	55360181AF	1							Left
13	55360393AA	3							CLIP, Hose
14									HOSE, Sunroof Drain, Front
	55360178AB	1							Right
	55360179AB	1							Left
15	05101844AA	1							BRACE, WATER TROUGH

**LIBERTY (KJ)**

SERIES	LINE	BODY	ENGINE	TRANSMISSION
P = LIMITED	J = JEEP - 4WD	74 = SPORT UTILITY 4-DR	ED1 = Engine - 2.4L 4 Cyl DOHC 16v SMPI	DGQ = Transmission-5-Spd Automatic 5-45RFE
H = SPORT	U = JEEP - 4WD (RHD)		EKG = Engine - 3.7L V6	DG6 = Transmission-4-Spd. Automatic, 42RLE
M = RENEGADE	T = JEEP - 2WD		ENR = Engine - 2.8L 4 Cyl Turbo Diesel	DEH = Transmission-6-Speed Manual, NSG370
			ENO = 4CYL turbo diesel	DG0 = Transmissions - All Automatic
				DBB = ALL MANUAL TRANSMISSIONS

AR = use ase required - = Non illustrated part

**Swing Gate, Latch, and Hinges**  
**Figure SKJ-1310**



ITEM	PART NUMBER	QTY	LINE	SERIES	BODY	ENGINE	TRANS	TRIM	DESCRIPTION
------	-------------	-----	------	--------	------	--------	-------	------	-------------

Note: For Backlite Hinges and Associated Hardware, see Group SKJ Illustration 710

1									HINGE, Liftgate Upper
	52850558AB	1							Lower
	52850559AB	1							
2	52850559AB	1							SCREW, M8X1.25X42.00, (NOT SERVICED)
3	55176934AF	1							PANEL, Tailgate
4	52850562AH	1							BUMPER, Tailgate
5	55360641AB	1							LATCH, Tailgate
6									HANDLE, Exterior Tailgate With Remote Keyless Entry Without Remote Keyless Entry
	05102498AB	1							
	05102500AB	1							
7	55360357AC	1							LATCH, Liftgate Glass
8	55360324AC	1							STABILIZER, Swing Gate
9	06507128AA	2							SCREW AND WASHER, Hex Head, M6 x 1.00 x 26.5
10	55075483	AR							SPACER, Door Latch Striker
11	04878826AC	1							STRIKER, Door
-12	06503692	2							SCREW, M8-1.25
13	55360171AC	2							GAS CYLINDER, Liftgate Glass
14	55360394AC	2							BRACKET, Ballstud
15									BACKLITE, Note: For Backlite Hinges and Associated Hardware, see Group SKJ Illustration 710 Tinted Privacy
	55360340AU	1							
	55360342AU	1							
16	06507456AA	2							BOLT AND CONED WASHER, Hex Head, M6x20x14
17	55360170AB	1							ARM, Cargo Door Check
18	06503504	2							NUT AND WASHER, Hex, M6x1, Check Strap to Body
19	06503504	2							SCREW, Tapping, M6x1x20, (NOT SERVICED)
20	06503102	2							NUT AND WASHER, Hex Nut-Coned Washer, M6 x 1.00
21	55360065AB	1							WEATHERSEAL, Tailgate

**LIBERTY (KJ)**

SERIES      LINE  
P = LIMITED      J = JEEP - 4WD  
H = SPORT      U = JEEP - 4WD (RHD)  
M = RENEGADE      T = JEEP - 2WD

BODY  
74 = SPORT UTILITY 4-DR

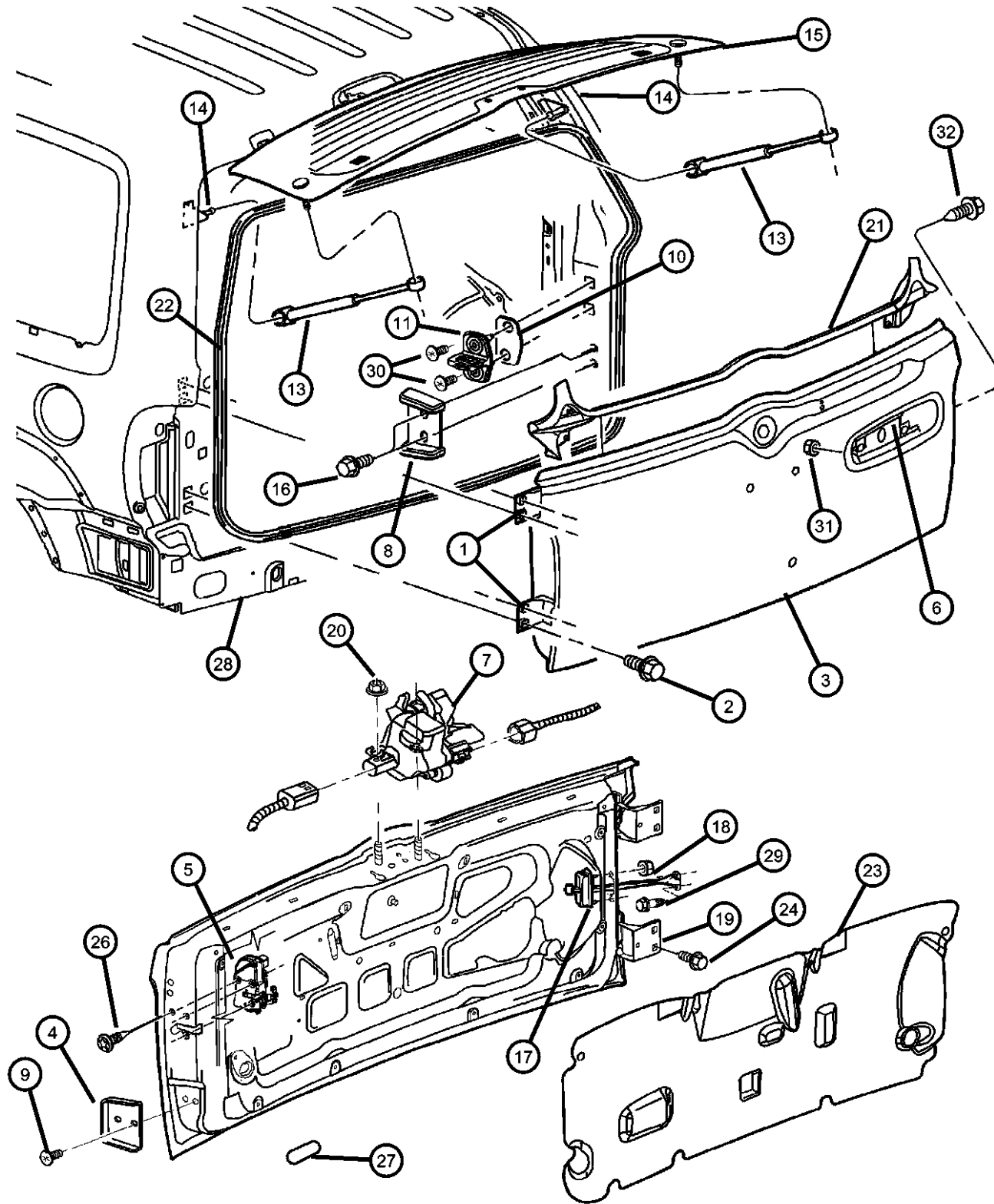
ENGINE  
ED1 = Engine - 2.4L 4 Cyl DOHC 16v SMPI  
EKG = Engine - 3.7L V6  
ENR = Engine - 2.8L 4 Cyl Turbo Diesel  
ENO = 4CYL turbo diesel

TRANSMISSION  
DGQ = Transmission-5-Spd Automatic 5-45RFE  
DG6 = Transmission-4-Spd. Automatic, 42RLE  
DEH = Transmission-6-Speed Manual, NSG370  
DG0 = Transmissions - All Automatic  
DBB = ALL MANUAL TRANSMISSIONS

AR = use ase required - = Non illustrated part

2005 KJ

**Swing Gate, Latch, and Hinges**  
**Figure SKJ-1310**



ITEM	PART NUMBER	QTY	LINE	SERIES	BODY	ENGINE	TRANS	TRIM	DESCRIPTION
22	55176958AG	1							WEATHERSEAL, Tailgate
23	55360309AB	1							WATERSHIELD, Liftgate Inner
24	06503328	6							SCREW, Hex Head, M8x1.25x30
-25	04520289	AR							SPACER, Door Latch Striker
26	06036364AA	3							SCREW, Oval Head, Swing Gate Latch to Swing Gate
27	04646527	2							PLUG, Deck Lid
28	55360227AF	1							PANEL, Liftgate Opening, D-Ring Shaped, Contains Rear Gate Opening and Roof Header
29	55360227AF	1							SCREW, Hex Flange Head, M6x1.00x20, (NOT SERVICED)
30	06506367AA	2							SCREW, M8-1.25
31	06503226	2							NUT, Hex Flange, M5x.8
32	06507011AA	2							SCREW

**LIBERTY (KJ)**

SERIES      LINE  
P = LIMITED      J = JEEP - 4WD  
H = SPORT      U = JEEP - 4WD (RHD)  
M = RENEGADE      T = JEEP - 2WD

BODY  
74 = SPORT UTILITY 4-DR

ENGINE  
ED1 = Engine - 2.4L 4 Cyl DOHC 16v SMPI  
EKG = Engine - 3.7L V6  
ENR = Engine - 2.8L 4 Cyl Turbo Diesel  
ENO = 4CYL turbo diesel

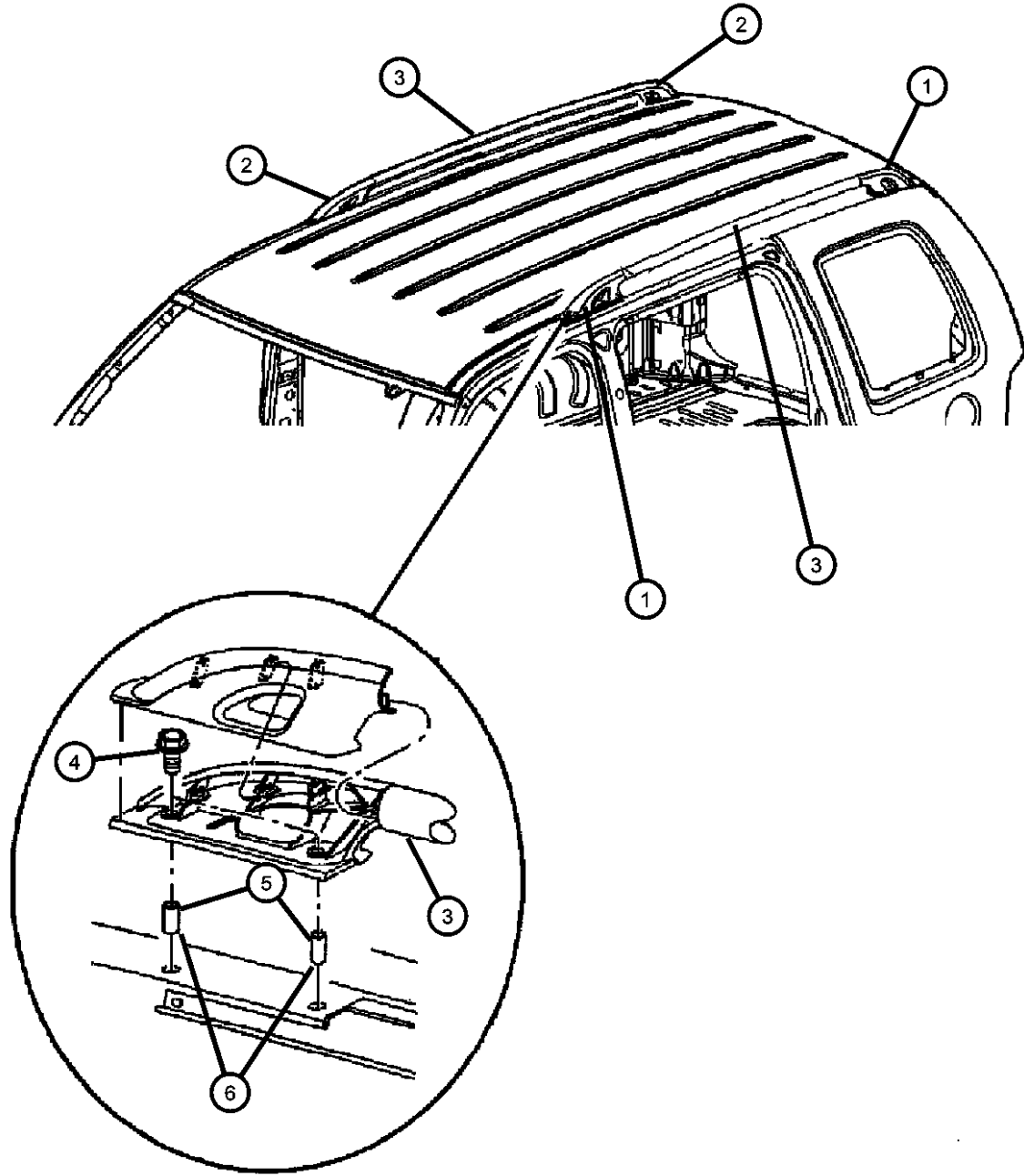
TRANSMISSION  
DGQ = Transmission-5-Spd Automatic 5-45RFE  
DG6 = Transmission-4-Spd. Automatic, 42RLE  
DEH = Transmission-6-Speed Manual, NSG370  
DG0 = Transmissions - All Automatic  
DBB = ALL MANUAL TRANSMISSIONS

AR = use ase required    - = Non illustrated part

2005 KJ

**Luggage Rack  
Figure SKJ-1610**

ITEM	PART NUMBER	QTY	LINE	SERIES	BODY	ENGINE	TRANS	TRIM	DESCRIPTION
Note: Production crossrails not used. See accessory catalog for crossrail package.									
1	55156941AB	1							COVER, Luggage Rack [MWZ], Left, Front
	55156943AB	1							[MWZ], Left, Rear
	55360425AE	1							[MWE], [MW1], Left, Front
	55360427AC	1							[MWE], [MW1], Left, Rear
2	55156940AB	1							COVER, Luggage Rack [MWZ], Right Front
	55156942AB	1							[MWZ], Right Rear
	55360424AE	1							[MWE], [MW1], Right Front
	55360426AC	1							[MWE], [MW1], Right Rear
3	55156936AB	1							RAIL, Luggage Rack Side [MW1], Right
	55156937AB	1							[MW1], Left
	55156938AC	1							[MWZ], Right
	55156939AC	1							[MWZ], Left
	55360418AK	1							[MWE], Right
	55360419AK	1							[MWE], Left
4	06507086AA	8							SCREW
5	06503245	6							RIVET, Hex Head
6	06506489AA	2							RIVET, Round Head



**LIBERTY (KJ)**

SERIES      LINE  
P = LIMITED      J = JEEP - 4WD  
H = SPORT      U = JEEP - 4WD (RHD)  
M = RENEGADE      T = JEEP - 2WD

BODY  
74 = SPORT UTILITY 4-DR

ENGINE  
ED1 = Engine - 2.4L 4 Cyl  
DOHC 16v SMPI  
EKG = Engine - 3.7L V6  
ENR = Engine - 2.8L 4 Cyl  
Turbo Diesel  
ENO = 4CYL turbo diesel

TRANSMISSION  
DGQ = Transmission-5-Spd Automatic  
5-45RFE  
DG6 = Transmission-4-Spd.  
Automatic, 42RLE  
DEH = Transmission-6-Speed Manual,  
NSG370  
DG0 = Transmissions - All Automatic  
DBB = ALL MANUAL  
TRANSMISSIONS

AR = use ase required - = Non illustrated part

2005 KJ

# Group - LBLS

## Labels All Vehicle Locations

## Group - LBLS Labels All Vehicle Locations

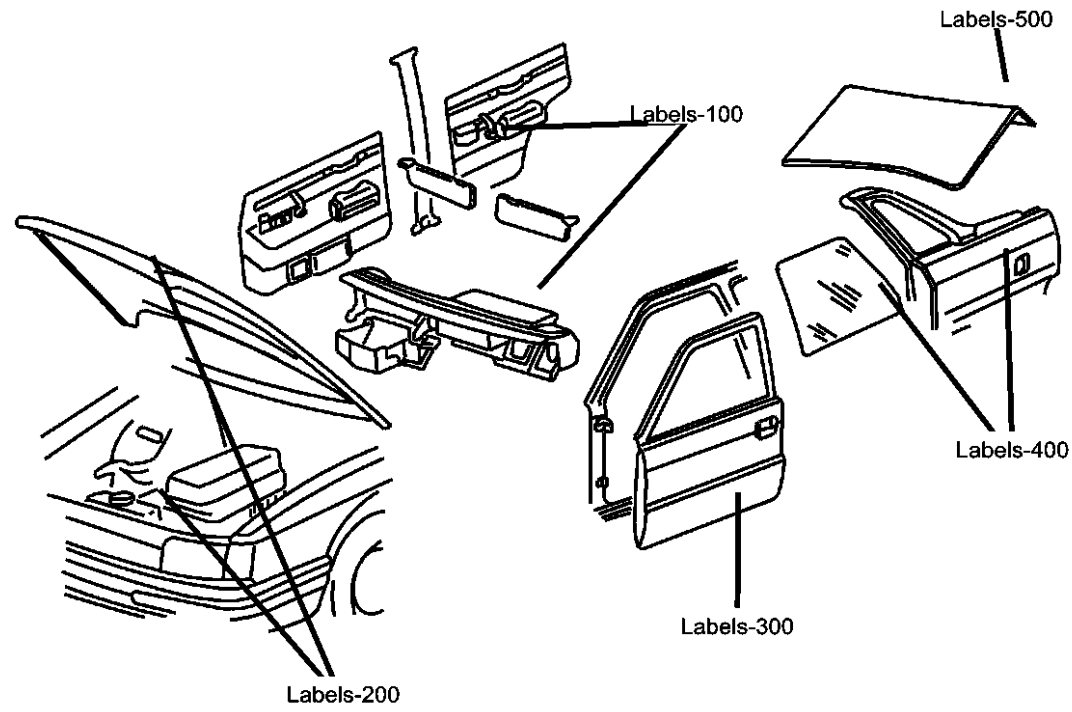


Illustration Title

Group-Fig. No.

### Interior

Instrument Panel, Visors & Trim ..... Fig. LBLS - 110

### Under Hood

Engine Compartment ..... Fig. LBLS - 210

### Doors

Door and Pillars ..... Fig. LBLS - 310

Rear Glass ..... Fig. LBLS - 320

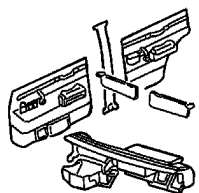
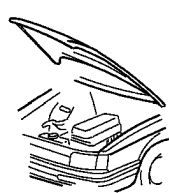

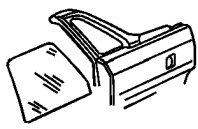

### Exterior

Fuel Door/Filler ..... Fig. LBLS - 410

### Rear Cargo & Storage

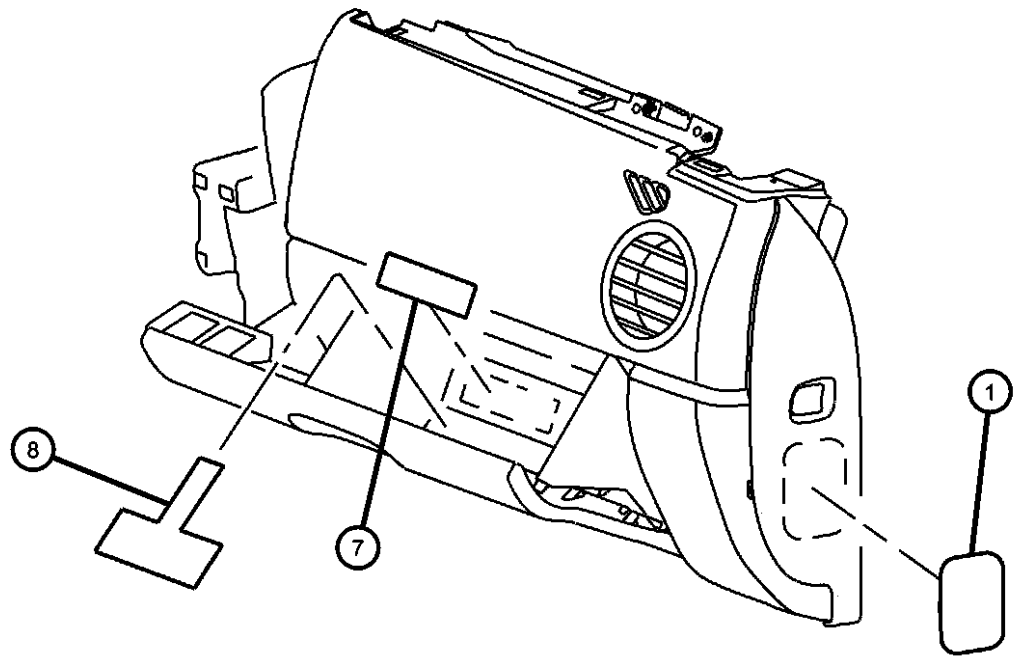
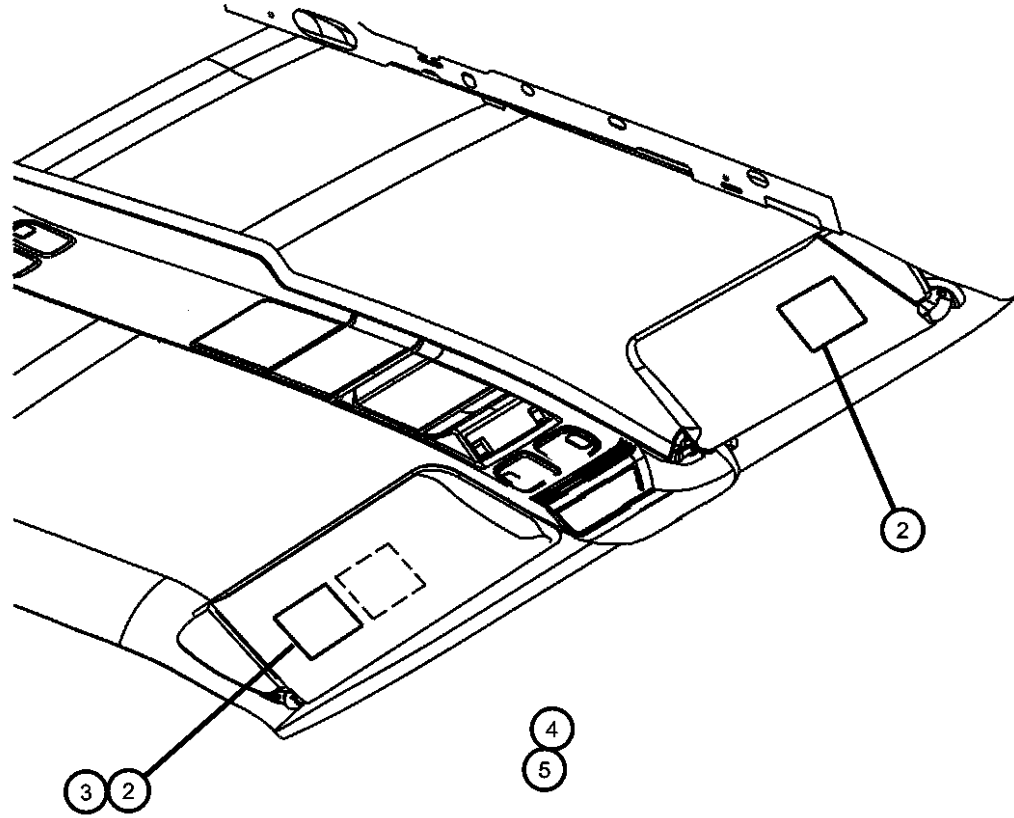
Jack Assembly ..... Fig. LBLS - 510

Rear Cargo ..... Fig. LBLS - 520

<p><b>LBLS-100</b> Interior</p> 	<p><b>LBLS-200</b> Under Hood</p> 	<p><b>LBLS-300</b> Doors</p> 	<p><b>LBLS-400</b> Exterior</p> 
<p><b>LBLS-500</b> Rear Cargo &amp; Storage</p> 			

**Instrument Panel, Visors & Trim  
Figure LBL5-110**

ITEM	PART NUMBER	QTY	LINE	SERIES	BODY	ENGINE	TRANS	TRIM	DESCRIPTION
1	04680556AA	1							DECAL, Seat Belt Safety
2									LABEL, Air Bag Warning
	04649281AA	4							Seat Side (English-French)
	04664294AA	1							Side (English-Arabic)
	05023540AA	2							Sun Visor (English-French)
	05023543AA	2							Sun Visor (English-Italian)
	05023548AA	2							English-Arabic
	05023743AA	2							Sun Visor (English-German)
	55197154AA	2							Export
3	05032545AA	2							LABEL, Air Bag Warning, Spanish, Mexico
4	05031307AA	1							LABEL, Visor Warning, Rollover risk Mexico
5	55352825AA	1							LABEL, Warning, Rollover risk
-6	55352825AA	1							LABEL, Air Bag Warning, Spanish, (NOT SERVICED)
7									LABEL, Tire Pressure
	52088962AB	1							USA / Mexico / Canada
	52088963AB	1							United Kingdom (English)
	52128593AB	1							Canada (French-English)
8	52128593AB	1							LABEL, Limited Warranty, (NOT SERVICED),
-9	06032217	2							RIVET, .197 Grip-.187-.375, VIN plate attaching



<b>LIBERTY (KJ)</b>				
SERIES	LINE	BODY	ENGINE	TRANSMISSION
P = LIMITED	J = JEEP - 4WD	74 = SPORT UTILITY 4-DR	ED1 = Engine - 2.4L 4 Cyl DOHC 16v SMPI	DGQ = Transmission-5-Spd Automatic 5-45RFE
H = SPORT	U = JEEP - 4WD (RHD)		EKG = Engine - 3.7L V6	DG6 = Transmission-4-Spd. Automatic, 42RLE
M = RENEGADE	T = JEEP - 2WD		ENR = Engine - 2.8L 4 Cyl Turbo Diesel	DEH = Transmission-6-Speed Manual, NSG370
			ENO = 4CYL turbo diesel	DG0 = Transmissions - All Automatic
				DBB = ALL MANUAL TRANSMISSIONS

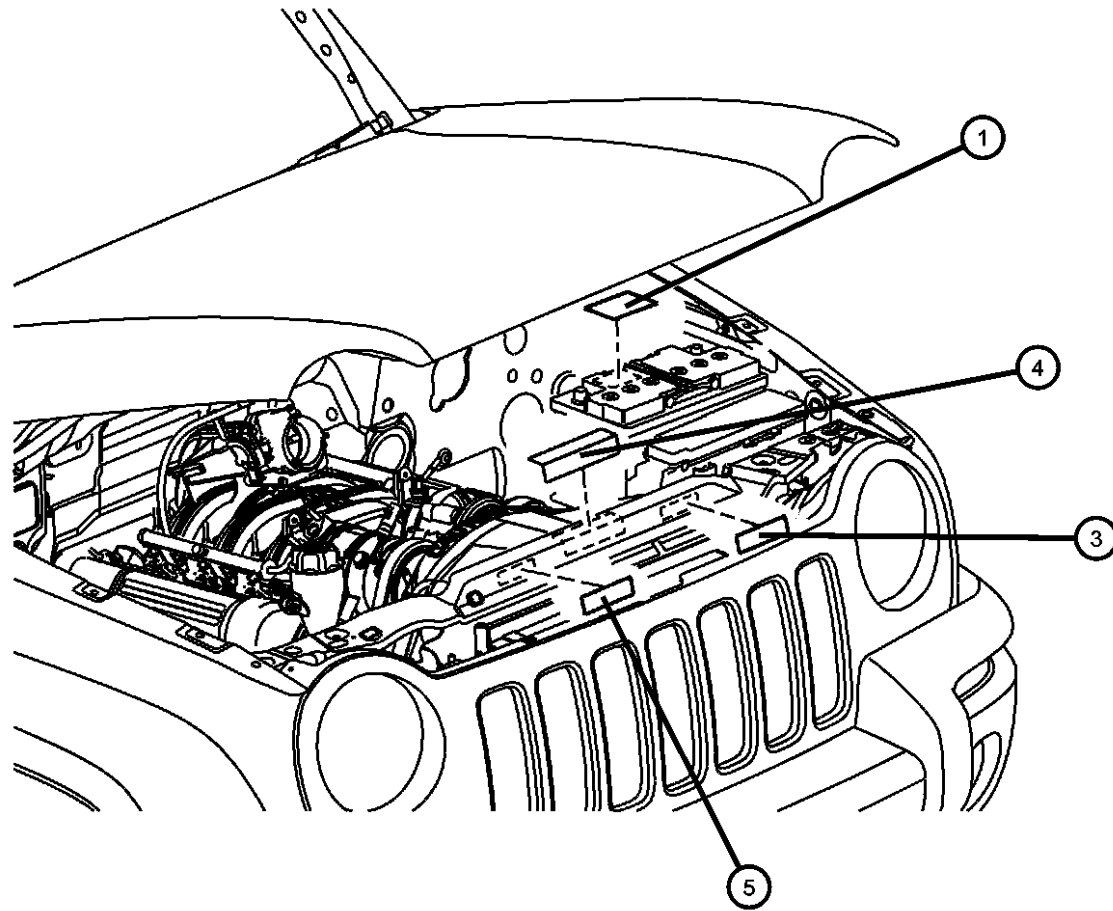
AR = use ase required - = Non illustrated part



**Engine Compartment  
Figure LBL5-210**

ITEM	PART NUMBER	QTY	LINE	SERIES	BODY	ENGINE	TRANS	TRIM	DESCRIPTION
------	-------------	-----	------	--------	------	--------	-------	------	-------------

Notes:  
 [ED0] = 2.4L 4 Cylinder Engine  
 [EK0] = 3.7L V6 Cylinder Engine  
 [EN0] = 2.5L Diesel



1									LABEL, Battery
	04606818AA	1				ED0, EK0			Export
	04793062	1				ED0, EK0			Warning, European Equipment
		1				ED0, EK0			
	05032786AA	1							Mexico
	56041046	1							Canada
-2	56041047	1							LABEL, Battery Jump Start
3									LABEL, Belt Routing
	05032784AA	1				EK0			Mexico
	53014005AA	1				EN0			
	53031758AA	1				ED0			
4									LABEL, Emission
	05271641AA	1				EK0			Mexico
	52129082AC	1				ED1			[NA1]
	52129083AA	1				EK0			[NA1]
	52129309AA	1				ED1			[NAS]
	52129314AA	1				EK0			[NAS]
	52129315AA	1				ENR			
5	55037464AD	1							LABEL, Refrigerant
-6	52128784AA	1							LABEL, Warning, Brake Fluid (Arabic)
-7									LABEL, Fan Caution
	05031287AA	1							Mexico
	53015959AA	1							[XLB]
-8	05032882AB	1							LABEL, Master Cylinder Reservoir, Mexico
-9	55056343AA	1							LABEL, Air Conditioning System

**LIBERTY (KJ)**

SERIES      LINE  
 P = LIMITED      J = JEEP - 4WD  
 H = SPORT      U = JEEP - 4WD (RHD)  
 M = RENEGADE      T = JEEP - 2WD

BODY  
 74 = SPORT UTILITY 4-DR

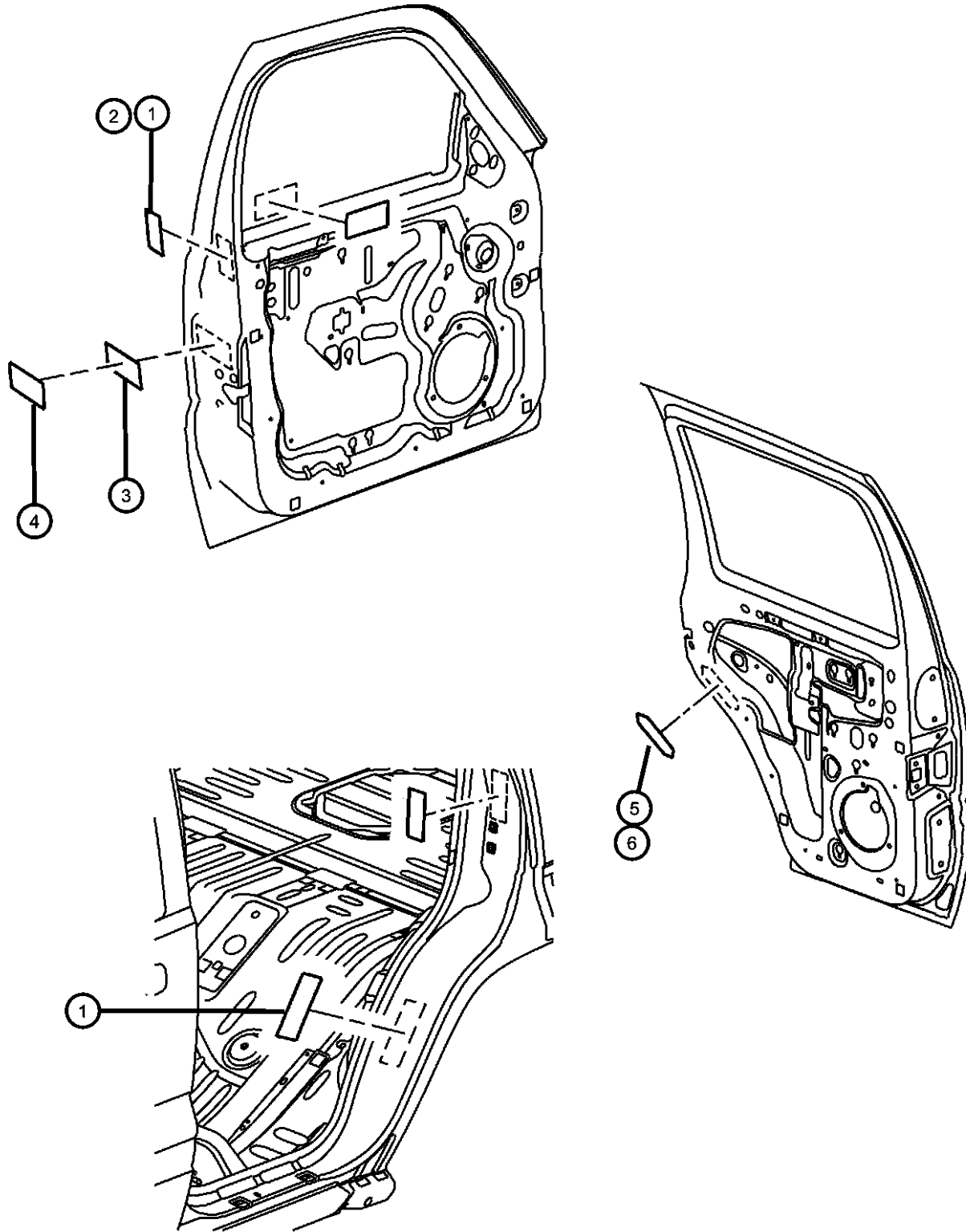
ENGINE  
 ED1 = Engine - 2.4L 4 Cyl  
 DOHC 16v SMPI  
 EK0 = Engine - 3.7L V6  
 ENR = Engine - 2.8L 4 Cyl  
 Turbo Diesel  
 ENO = 4CYL turbo diesel

TRANSMISSION  
 DGQ = Transmission-5-Spd Automatic  
 5-45RFE  
 DG6 = Transmission-4-Spd.  
 Automatic, 42RLE  
 DEH = Transmission-6-Speed Manual,  
 NSG370  
 DG0 = Transmissions - All Automatic  
 DBB = ALL MANUAL  
 TRANSMISSIONS

AR = use ase required - = Non illustrated part

2005 KJ

Door and Pillars  
Figure LBL5-310



ITEM	PART NUMBER	QTY	LINE	SERIES	BODY	ENGINE	TRANS	TRIM	DESCRIPTION
1	04649282AA	4							LABEL, Air Bag Warning
2	04898879AA	4							LABEL, Air Bag Warning, Spanish, Mexico
3	04898879AA	4							LABEL, Certification, (NOT SERVICED)
4	04040858	1							OVERLAY, Vehicle Certification
5									LABEL, Child Protection Lock, English
	04780544AA	1							Right
	04780545AA	1							Left
6									LABEL, Child Protection Lock, French
	04780546AC	1							Right
	04780547AC	1							Left
-7	53015960AA	1							LABEL, Exhaust Gas Warning
-8									LABEL, Tire Pressure
	52088962AB	1							[ABA]
	52088963AB	1							[XLR]
	52128593AB	1							
-9	04851416AA	1							LABEL, Air Bag Warning, Spanish, Mexico

LIBERTY (KJ)

SERIES      LINE  
P = LIMITED      J = JEEP - 4WD  
H = SPORT      U = JEEP - 4WD (RHD)  
M = RENEGADE      T = JEEP - 2WD

BODY  
74 = SPORT UTILITY 4-DR

ENGINE  
ED1 = Engine - 2.4L 4 Cyl DOHC 16v SMPI  
EKG = Engine - 3.7L V6  
ENR = Engine - 2.8L 4 Cyl Turbo Diesel  
ENO = 4CYL turbo diesel

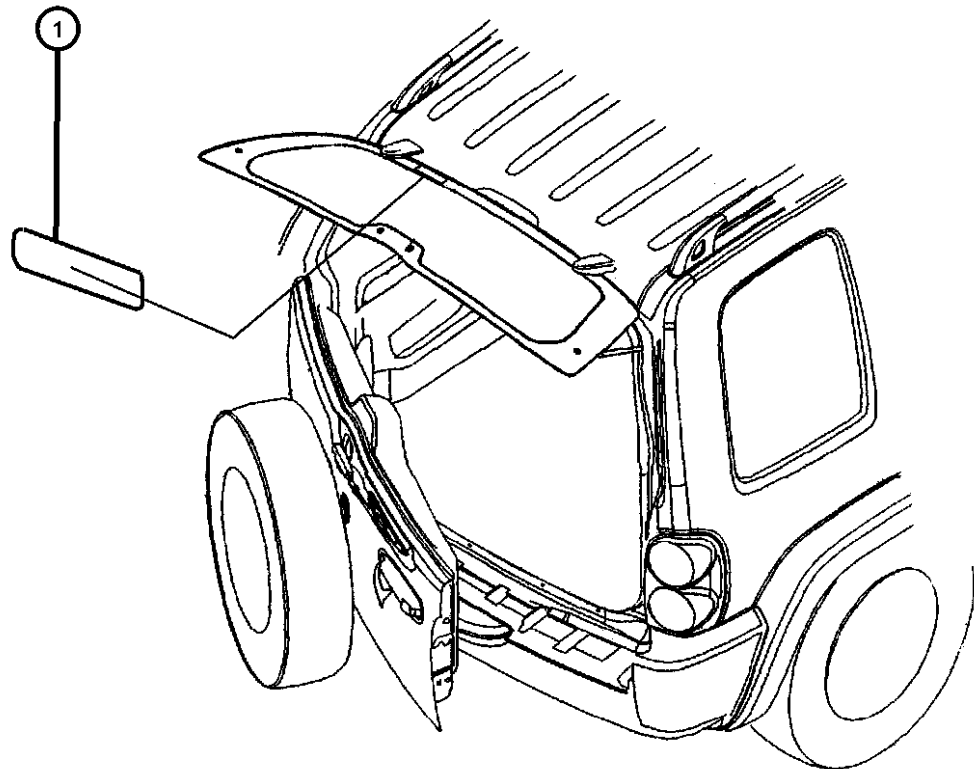
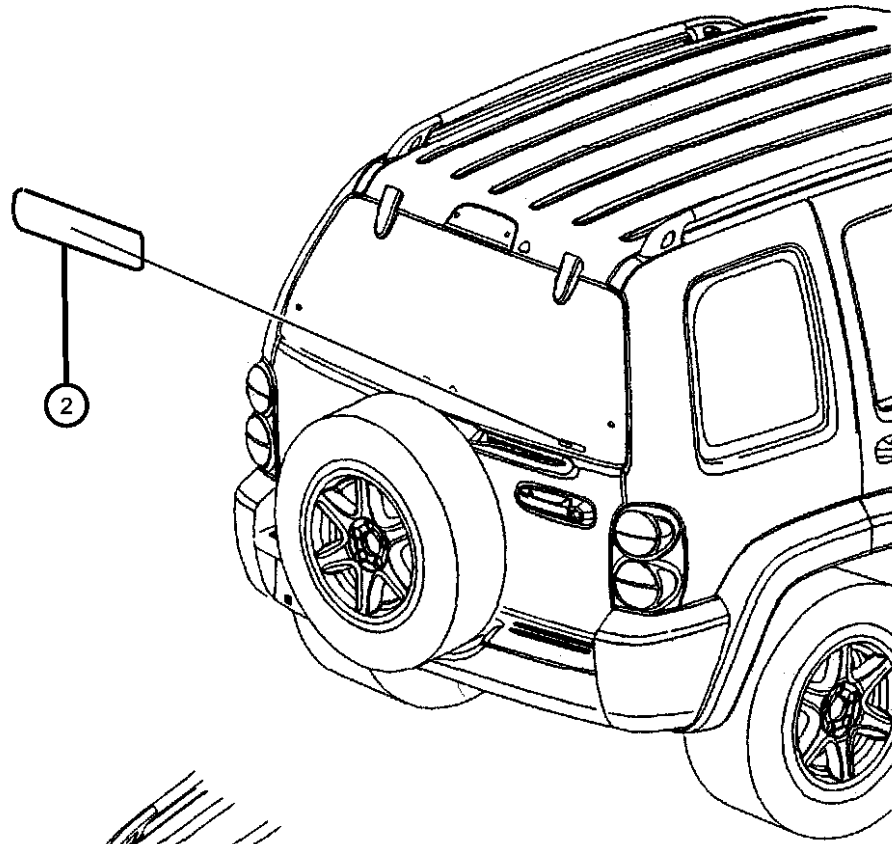
TRANSMISSION  
DGQ = Transmission-5-Spd Automatic 5-45RFE  
DG6 = Transmission-4-Spd. Automatic, 42RLE  
DEH = Transmission-6-Speed Manual, NSG370  
DG0 = Transmissions - All Automatic  
DBB = ALL MANUAL TRANSMISSIONS

AR = use ase required - = Non illustrated part

2005 KJ

Rear Glass  
Figure LBLS-320

ITEM	PART NUMBER	QTY	LINE	SERIES	BODY	ENGINE	TRANS	TRIM	DESCRIPTION
1	55360573AA	1							LABEL, Flipper Glass, Warning [GEJ,XLR]
	55360582AA	1							[GEG,XLR]
	55360583AA	1							Privacy Glass, Mideast Equipment
2	05056223AA	1							LABEL, Warning, Exhaust Gas



LIBERTY (KJ)

SERIES      LINE  
P = LIMITED      J = JEEP - 4WD  
H = SPORT      U = JEEP - 4WD (RHD)  
M = RENEGADE      T = JEEP - 2WD

BODY  
74 = SPORT UTILITY 4-DR

ENGINE  
ED1 = Engine - 2.4L 4 Cyl  
DOHC 16v SMPI  
EKG = Engine - 3.7L V6  
ENR = Engine - 2.8L 4 Cyl  
Turbo Diesel  
ENO = 4CYL turbo diesel

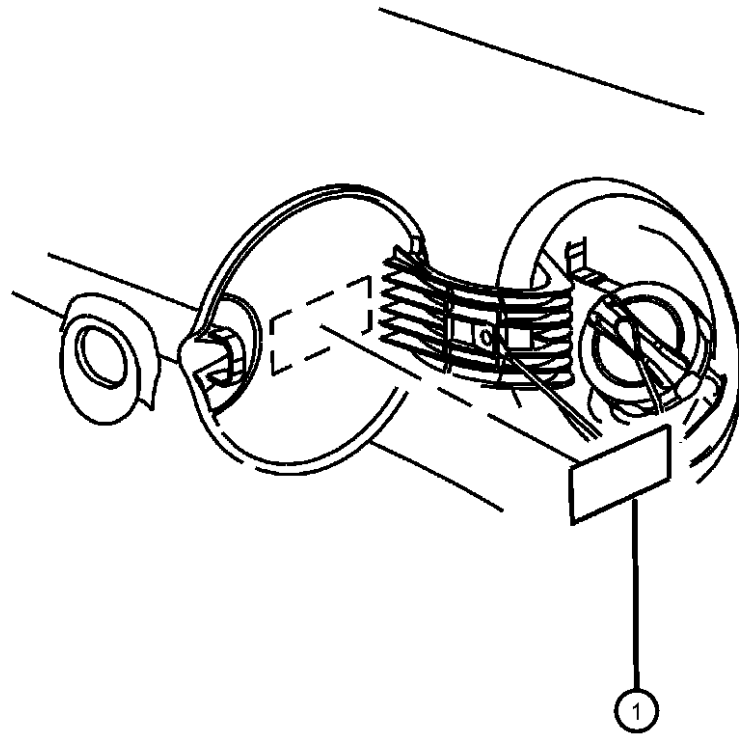
TRANSMISSION  
DGQ = Transmission-5-Spd Automatic  
5-45RFE  
DG6 = Transmission-4-Spd.  
Automatic, 42RLE  
DEH = Transmission-6-Speed Manual,  
NSG370  
DG0 = Transmissions - All Automatic  
DBB = ALL MANUAL  
TRANSMISSIONS

AR = use ase required - = Non illustrated part

2005 KJ

Fuel Door/Filler  
Figure LBL5-410

ITEM	PART NUMBER	QTY	LINE	SERIES	BODY	ENGINE	TRANS	TRIM	DESCRIPTION
1									LABEL, Fuel
	55295856	1				ED0, EK0			Gas Only
	J5464900	1				ENO			Diesel



LIBERTY (KJ)

SERIES      LINE  
P = LIMITED      J = JEEP - 4WD  
H = SPORT      U = JEEP - 4WD (RHD)  
M = RENEGADE      T = JEEP - 2WD

BODY  
74 = SPORT UTILITY 4-DR

ENGINE  
ED1 = Engine - 2.4L 4 Cyl  
DOHC 16v SMPI  
EKG = Engine - 3.7L V6  
ENR = Engine - 2.8L 4 Cyl  
Turbo Diesel  
ENO = 4CYL turbo diesel

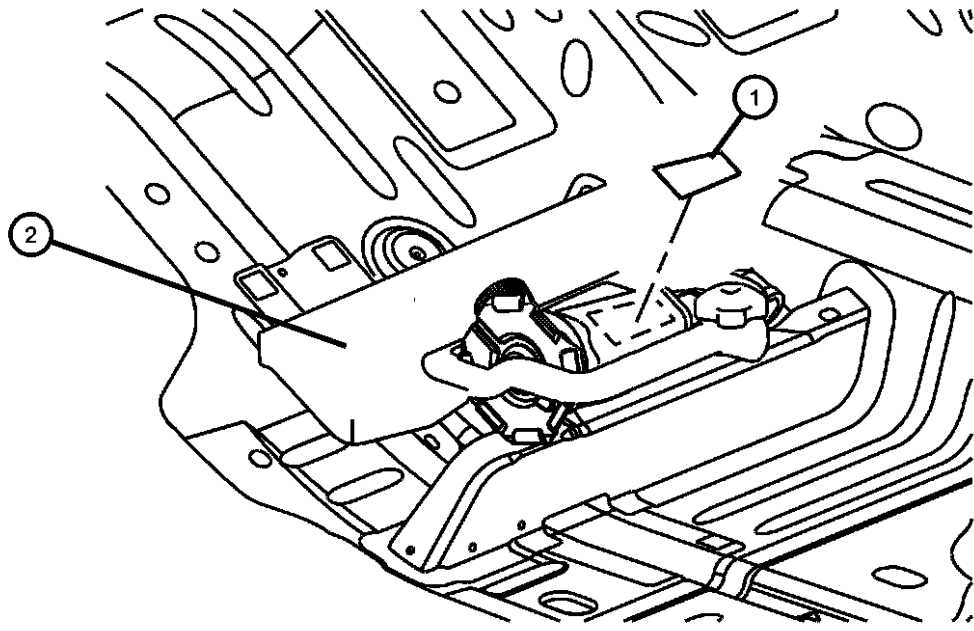
TRANSMISSION  
DGQ = Transmission-5-Spd Automatic  
5-45RFE  
DG6 = Transmission-4-Spd.  
Automatic, 42RLE  
DEH = Transmission-6-Speed Manual,  
NSG370  
DG0 = Transmissions - All Automatic  
DBB = ALL MANUAL  
TRANSMISSIONS

AR = use ase required - = Non illustrated part

2005 KJ

Jack Assembly  
Figure LBL5-510

ITEM	PART NUMBER	QTY	LINE	SERIES	BODY	ENGINE	TRANS	TRIM	DESCRIPTION
1	52059371AB	1							LABEL, Jack Instructions
2									LABEL, Jack Caution
	05271495AA	1							Mexico
	52110391AB	1							
	52110392AB	1							[XLR]
		1							[XLS]
	52110400AB	1							ABD



LIBERTY (KJ)

SERIES      LINE  
P = LIMITED      J = JEEP - 4WD  
H = SPORT      U = JEEP - 4WD (RHD)  
M = RENEGADE      T = JEEP - 2WD

BODY  
74 = SPORT UTILITY 4-DR

ENGINE  
ED1 = Engine - 2.4L 4 Cyl  
DOHC 16v SMPI  
EKG = Engine - 3.7L V6  
ENR = Engine - 2.8L 4 Cyl  
Turbo Diesel  
ENO = 4CYL turbo diesel

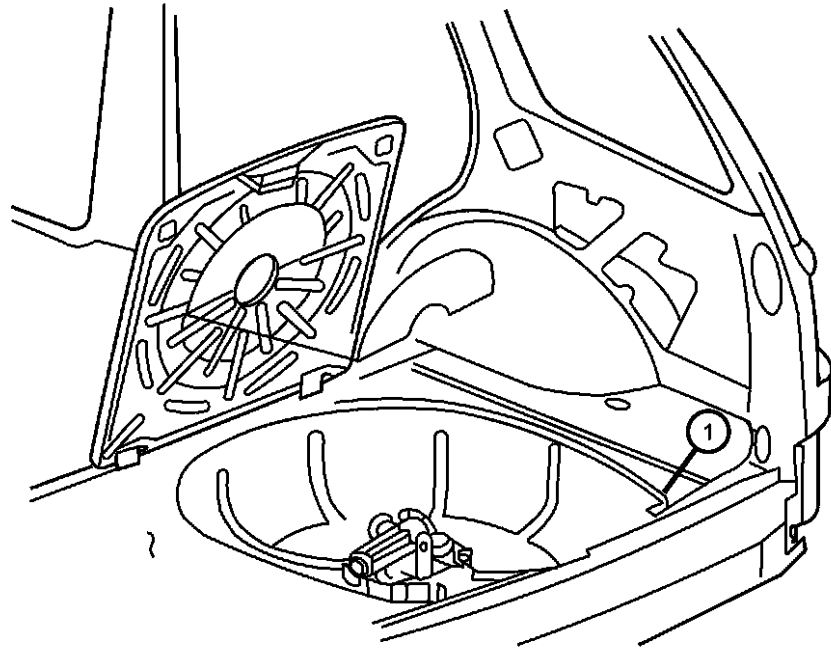
TRANSMISSION  
DGQ = Transmission-5-Spd Automatic  
5-45RFE  
DG6 = Transmission-4-Spd.  
Automatic, 42RLE  
DEH = Transmission-6-Speed Manual,  
NSG370  
DG0 = Transmissions - All Automatic  
DBB = ALL MANUAL  
TRANSMISSIONS

AR = use ase required - = Non illustrated part

2005 KJ

**Rear Cargo  
Figure LBLS-520**

ITEM	PART NUMBER	QTY	LINE	SERIES	BODY	ENGINE	TRANS	TRIM	DESCRIPTION
1									LABEL, Warning
	55352890AA	1							Cargo Organizer Canada
	55352891AA	1							Cargo Organizer (Arabic)



**LIBERTY (KJ)**

SERIES            LINE  
P = LIMITED      J = JEEP - 4WD  
H = SPORT        U = JEEP - 4WD (RHD)  
M = RENEGADE   T = JEEP - 2WD

BODY  
74 = SPORT UTILITY 4-DR

ENGINE  
ED1 = Engine - 2.4L 4 Cyl  
DOHC 16v SMPI  
EKG = Engine - 3.7L V6  
ENR = Engine - 2.8L 4 Cyl  
Turbo Diesel  
ENO = 4CYL turbo diesel

TRANSMISSION  
DGQ = Transmission-5-Spd Automatic  
5-45RFE  
DG6 = Transmission-4-Spd.  
Automatic, 42RLE  
DEH = Transmission-6-Speed Manual,  
NSG370  
DG0 = Transmissions - All Automatic  
DBB = ALL MANUAL  
TRANSMISSIONS

AR = use ase required - = Non illustrated part

2005 KJ