

VIN PLATE DECODING INFORMATION

1	2	3	4	5	6	7	8	9	10	11	12 thru 17
Country	Make	Vehicle Type	Other	Line	Series	Body Style	Engine	Check Digit	Model Year	Assy. Plant	Sequence No.

The following table interprets the VIN Plate position shown above.

Position	Interpretation	Codes = Description
1	Country of Origin	1 = Built in U.S. by Chrysler Corporation
2	Assembler	J = Jeep
3	Vehicle Type	4 = Multipurpose Vehicle
4	GVWR & Pass. Safety	D = 0 - 1360 kg (0-3000 lbs) E = 1361 - 1814 kg (3001 - 4000 lbs) F = 1815 - 2267 kg (4001 - 5000 lbs) G = 2268 - 2721 kg (5001 - 6000 lbs) H = 2722 - 3175 kg (6001 - 7000 lbs) K = 3629 - 4082 kg (8001 - 9000 lbs) L = 4083 - 4535 kg (9001 - 10,000 lbs) M = 4536 - 6350 kg (10,001 - 14,000 lbs) J = 3176 - 3628 kg (7001 - 8000 lbs)
5	Vehicle Line	B = Cherokee 4x2 RHD T = Cherokee 4x2 LHD J = Cherokee 4x4 (LHD), (RHD) N = Cherokee 4x4 RHD
6	Series	2 = SE 6 = Sport 7 = Country (BUX)
7	Body Style	7 = 2 Door Sport Utility 8 = 4 Door Sport Utility
8	Engine	H = 2.5L Gas Leaded (EPE) M = 2.5L Diesel (ENC) P = 2.5L Gas Unleaded (EPE) S = 4.0L Gas Unleaded (ERH) V = 4.0L Gas Leaded (ERH)
9	Check Digit	0 = Check Digit 0 = Check Digit
10	Model Year	V = 1997 X = 1999 W = 1998
11	Assembly Plant	L = Toledo #1
12 thru 17	Vehicle Build Sequence	Model Year Assembly Sequence

Group - 2

Front Suspension & Drive

Group - 2 Front Suspension & Drive

Illustration Title

Group-Fig. No.

Front Suspension

Arms,Control,Upper and Lower Fig. 2 - 110
 Spring and Shocks,Front Fig. 2 - 120
 Front Stabilizer Bar and Track Bar Fig. 2 - 130

Front Axle Drive Shafts

Shafts,Front Axle Fig. 2 - 210

Front Axle Housing

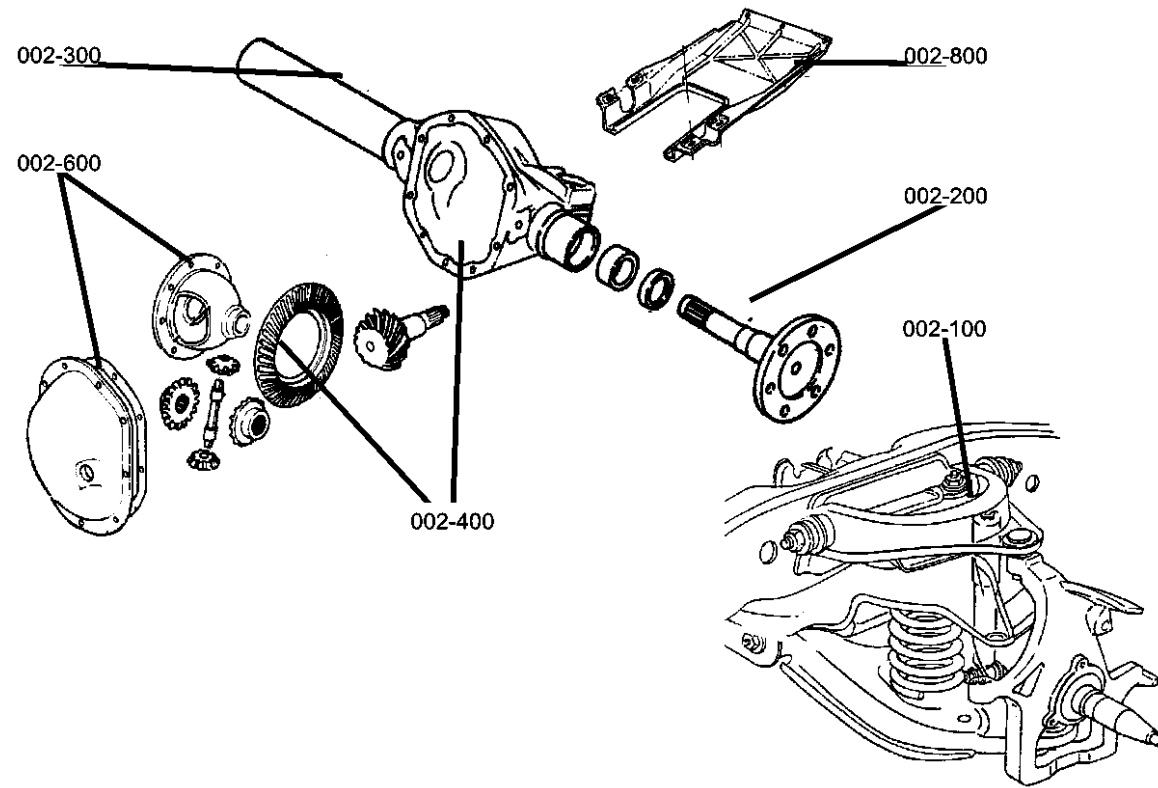
Housing,Front Axle,2 Wheel Drive Fig. 2 - 310
 Housing,Front Axle,4 Wheel Drive Fig. 2 - 320

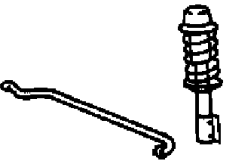

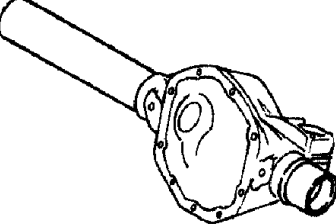
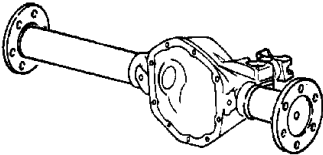
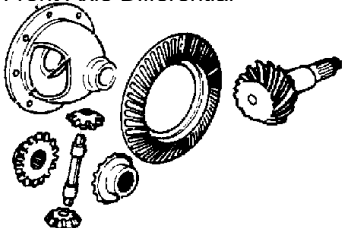
Front Axle Assembly

Axle Assembly, Front 4 Wheel Drive Fig. 2 - 410

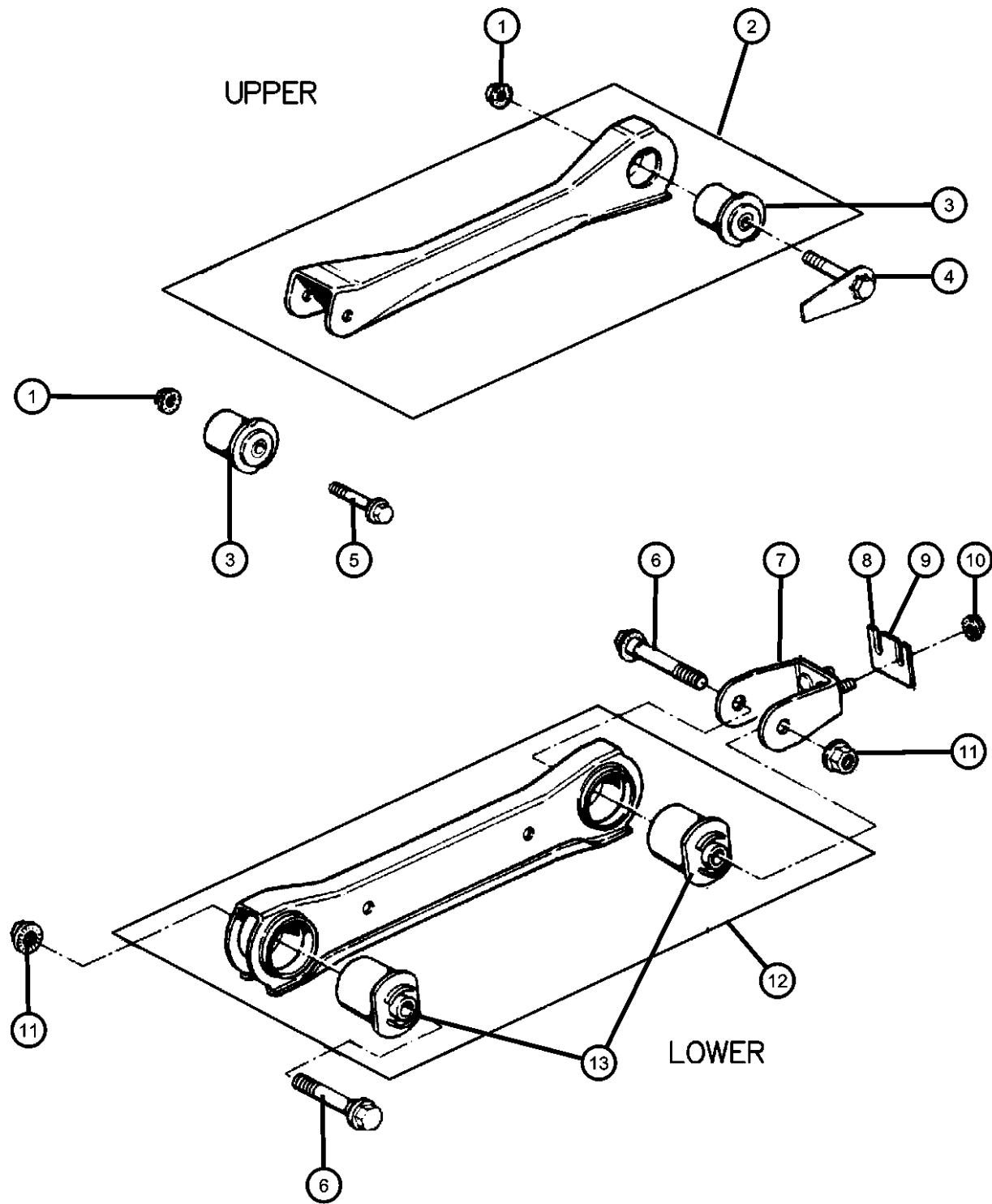
Front Axle Differential

Differential,Front Axle Fig. 2 - 610



<p>002-100 Front Suspension</p> 	<p>002-200 Front Axle Drive Shafts</p> 	<p>002-300 Front Axle Housing</p> 	<p>002-400 Front Axle Assembly</p> 
<p>002-600 Front Axle Differential</p> 			

Arms,Control,Upper and Lower
Figure 2-110



ITEM	PART NUMBER	QTY	LINE	SERIES	BODY	ENGINE	TRANS	TRIM	DESCRIPTION
1	11506007	4							NUT, Hex Flange, M10x1.5, UCA to Sill and Axle, Mounting
2	52087710	2							ARM, ControlUpper
3	52038025	2							BUSHING, Control Arm, UCA to Sill and Axle
4	06505153AA	2							BOLT, M10x1.50x85, UCA to Sill, Mounting
5	06505154AA	2							BOLT, UCA to Axle, Mounting
6	34201334	4							BOLT, Hex Flange Head, M14x2.00x110, LCA to Clevis and Axle, Mounting
7	52000532	2							CLEVIS, Lower Suspension Arm, To Sill
8	52000234	AR							SHIM, Control Arm, Caster and Pinion Angle Adjusting-.9mm Thick
9	52003976	AR							SHIM, Pinion Angle, Caster and Pinion Angle Adjusting-.4mm Thick
10	06101695	4							NUT, Hex Flange Lock, Clevis to Sill, Mounting
11	11502814	4							NUT, Hex Flange Lock, M14z2, LCA to Clevis and Axle, Mounting
12	52001162	2							ARM, ControlLower
13	52001161	4							BUSHING, Control ArmLower

CHEROKEE (XJ)

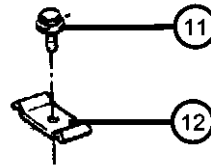
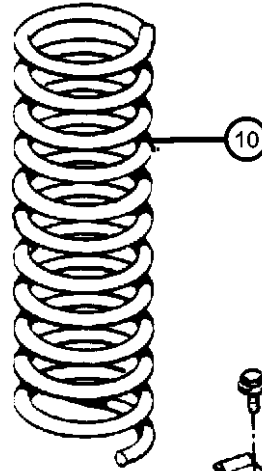
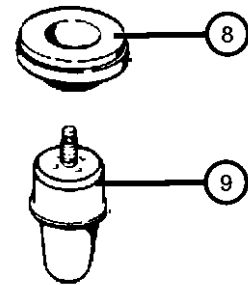
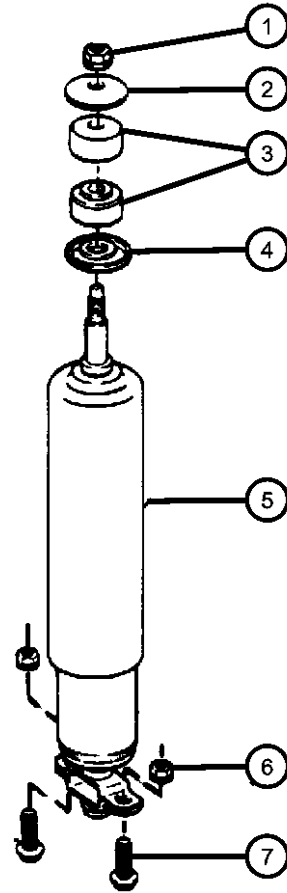
SERIES LINE
 L = LOWLINE B = JEEP - 2WD (RHD)
 U = JEEP - 4WD (RHD)
 T = LHD - (2WD)
 J = JEEP - - LHD (4WD)

BODY
 72 = 2DR (101.4 WB)
 74 = 4 DR (101.4 WB)

ENGINE TRANSMISSION
 ENC = 2.5L 4 Cyl Turbo Diesel Engine
 EPE = Engine - 2.5L Power Tech I-4 Cyl.
 ERH = 4.0L Power Tech I-6 Engine
 ENO = Engines - ALL 4/5 CYL Turbo Diesel
 ERO = Engines - All 4.0L 6 Cyl Gas
 EPO = ENGINES - ALL 2.5L 4 CYL GAS
 DCB = Transmission - 4-Speed Manual,T3340
 DDQ = 5-Speed Manual Transmission
 DDX = 5-Speed HD Manual Transmission
 DGD = 3-Spd. Automatic 30RH Transmission
 DGK = 4-Spd. Automatic 42RE Transmission
 DGS = 4-Speed Automatic AW4 Transmission
 DGT = 4-Spd. Automatic 46RE Transmission
 DGW = TRANSMISSION - 4-SPD. AUTOMATIC,44RE
 DGX = 4-Speed Automatic Transmission
 DGY = No Description Available
 DGZ = Transmission- 4-Spd. Automatic,MT643
 DBB = ALL MANUAL TRANSMISSIONS
 DG0 = TRANSMISSIONS - ALL AUTOMATIC

AR = use ase required - = Non illustrated part

Spring and Shocks,Front
Figure 2-120



ITEM	PART NUMBER	QTY	LINE	SERIES	BODY	ENGINE	TRANS	TRIM	DESCRIPTION
Note:Sales Codes; [SDA]=Suspension - Normal Duty [SDB]=Suspension - Heavy Duty [SDU]=Shocks - High Pressure Gas Charged [ZFD] Thru [ZVJ]= Spring Group Types, Found on Individual Vehicle Sales Code Listing.									
1	06502556	2							NUT, Hex, M10-1.5, Upper Shock, Mounting
2	52038805	2							RETAINER, Shock Absorber, Upper Shock, Mounting
3	52087768	2							GROMMET, Shock Absorber, Upper Shock, Mounting
4	52038809	2							RETAINER, Shock Absorber, Lower Shock, Mounting
5									SHOCK ABSORBER PACKAGE, Suspension, Front
	04897412AA	2			J, U				[SDU]
	G0060052								Mopar V-Line Alternative Part
	G0089895								Mopar V-Line Alternative Part
	0SGR5128								Rancho Shock
	0SG23252								Mopar V-Line Alternative Part
	04897413AA	2							[SDA]
	G0060052								Mopar V-Line Alternative Part
	0SGR5128								Rancho Shock
	0SG23252								Mopar V-Line Alternative Part
	04897414AA	2							[SDB]
	0SGR5128								Rancho Shock
	0SG23252								Mopar V-Line Alternative Part

CHEROKEE (XJ)

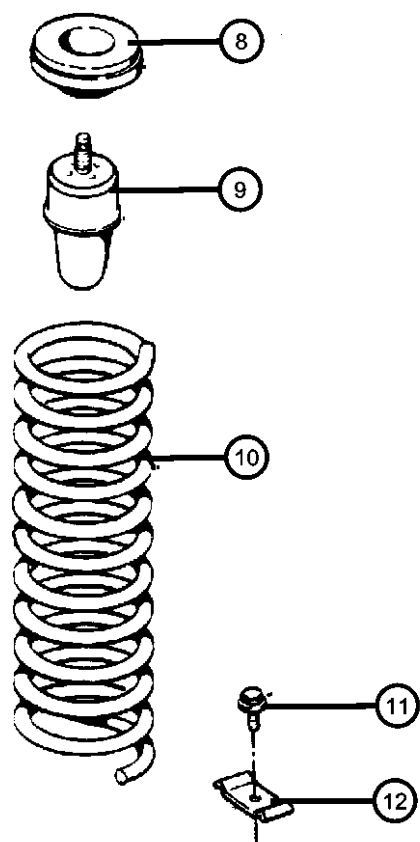
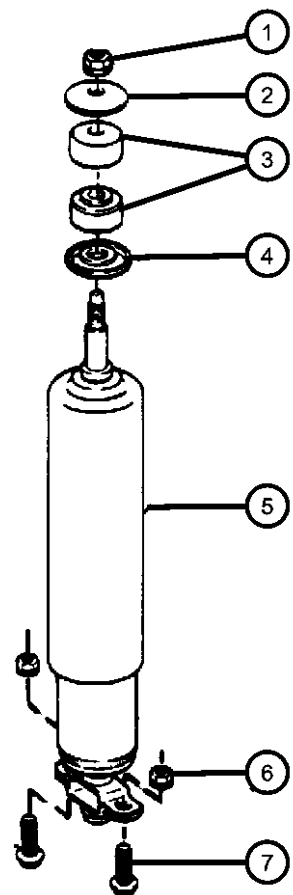
SERIES	LINE
L = LOWLINE	B = JEEP - 2WD (RHD) U = JEEP - 4WD (RHD) T = LHD - (2WD) J = JEEP - - LHD (4WD)

BODY
72 = 2DR (101.4 WB) 74 = 4 DR (101.4 WB)

ENGINE	TRANSMISSION
ENC = 2.5L 4 Cyl Turbo Diesel Engine EPE = Engine - 2.5L Power Tech I-4 Cyl. ERH = 4.0L Power Tech I-6 Engine ENO = Engines - ALL 4/5 CYL Turbo Diesel ERO = Engines - All 4.0L 6 Cyl Gas EPO = ENGINES - ALL 2.5L 4 CYL GAS	DCB = Transmission - 4-Speed Manual,T3340 DDQ = 5-Speed Manual Transmission DDX = 5-Speed HD Manual Transmission DGD = 3-Spd. Automatic 30RH Transmission DGK = 4-Spd. Automatic 42RE Transmission DGS = 4-Speed Automatic AW4 Transmission DGT = 4-Spd. Automatic 46RE Transmission DGW = TRANSMISSION - 4-SPD. AUTOMATIC,44RE DGX = 4-Speed Automatic Transmission DGY = No Description Available DGZ = Transmission- 4-Spd. Automatic,MT643 DBB = ALL MANUAL TRANSMISSIONS DGO = TRANSMISSIONS - ALL AUTOMATIC

AR = use ase required - = Non illustrated part

Spring and Shocks,Front
Figure 2-120



ITEM	PART NUMBER	QTY	LINE	SERIES	BODY	ENGINE	TRANS	TRIM	DESCRIPTION
6	06101695	4							NUT, Hex Flange Lock, Lower Shock, Mounting
7	06502555	4							BOLT, M8x1.25x30, Lower Shock, Mounting
8	52000229	2							ISOLATOR, Spring, Upper
9	52004295	2							BUMPER, Jounce, Upper
10									SPRING, Front Coil
	52001113	1							[ZUD,ZFD]
	52001114	1							[ZUE,ZFE]
	52001115	1							[ZUF,ZFF]
	52001116	1							[ZUG,ZFG]
	52001117	1							[ZUH,ZFH]
	52001118	1							[ZUJ,ZFJ]
	52001119	1							[ZUK,ZFK]
	52001120	1							[ZVD,ZGD]
	52001121	1							[ZVE,ZGE]
	52001122	1							[ZVF,ZGF]
	52001123	1							[ZVG,ZGG]
	52001124	1							[ZVH,ZGH]
	52001125	1							[ZVJ,ZGJ]
	52001793	1							[ZVK,ZGK]
	52001794	1							[ZVL,ZGL]

CHEROKEE (XJ)

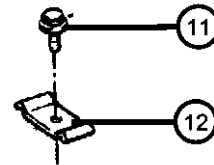
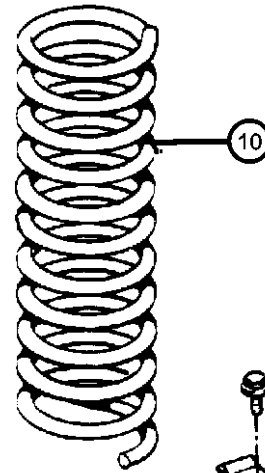
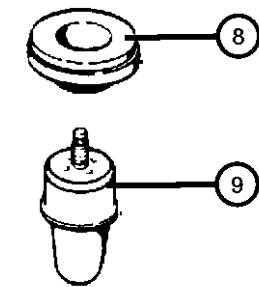
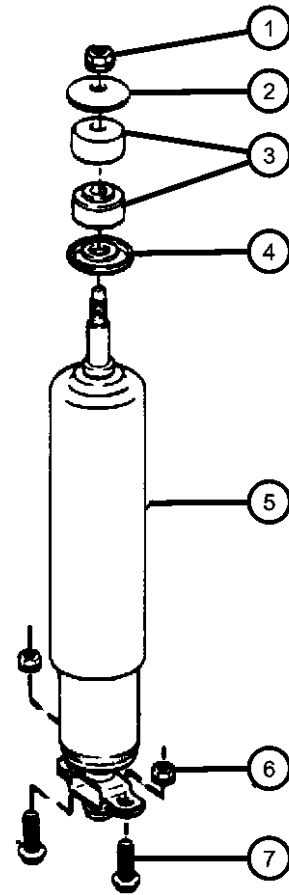
SERIES LINE
 L = LOWLINE B = JEEP - 2WD (RHD)
 U = JEEP - 4WD (RHD)
 T = LHD - (2WD)
 J = JEEP - - LHD (4WD)

BODY
 72 = 2DR (101.4 WB)
 74 = 4 DR (101.4 WB)

ENGINE TRANSMISSION
 ENC = 2.5L 4 Cyl Turbo Diesel Engine
 EPE = Engine - 2.5L Power Tech I-4 Cyl.
 ERH = 4.0L Power Tech I-6 Engine
 ENO = Engines - ALL 4/5 CYL Turbo Diesel
 ERO = Engines - All 4.0L 6 Cyl Gas
 EPO = ENGINES - ALL 2.5L 4 CYL GAS
 DCB = Transmission - 4-Speed Manual,T3340
 DDQ = 5-Speed Manual Transmission
 DDX = 5-Speed HD Manual Transmission
 DGD = 3-Spd. Automatic 30RH Transmission
 DGK = 4-Spd. Automatic 42RE Transmission
 DGS = 4-Speed Automatic AW4 Transmission
 DGT = 4-Spd. Automatic 46RE Transmission
 DGW = TRANSMISSION - 4-SPD. AUTOMATIC,44RE
 DGX = 4-Speed Automatic Transmission
 DGY = No Description Available
 DGZ = Transmission- 4-Spd. Automatic,MT643
 DBB = ALL MANUAL TRANSMISSIONS
 DG0 = TRANSMISSIONS - ALL AUTOMATIC

AR = use ase required - = Non illustrated part

Spring and Shocks,Front
Figure 2-120



ITEM	PART NUMBER	QTY	LINE	SERIES	BODY	ENGINE	TRANS	TRIM	DESCRIPTION
------	-------------	-----	------	--------	------	--------	-------	------	-------------

11	34201888	2							SCREW, Hex Head, Lower Front Coil, Mounting
12	53000899	2							BRACKET, Spring, Lower Front Coil, Mounting

CHEROKEE (XJ)

SERIES	LINE
L = LOWLINE	B = JEEP - 2WD (RHD) U = JEEP - 4WD (RHD) T = LHD - (2WD) J = JEEP - - LHD (4WD)

BODY
72 = 2DR (101.4 WB) 74 = 4 DR (101.4 WB)

ENGINE	TRANSMISSION
ENC = 2.5L 4 Cyl Turbo Diesel Engine	DCB = Transmission - 4-Speed Manual,T3340
EPE = Engine - 2.5L Power Tech I-4 Cyl.	DDQ = 5-Speed Manual Transmission
ERH = 4.0L Power Tech I-6 Engine	DDX = 5-Speed HD Manual Transmission
ENO = Engines - ALL 4/5 CYL Turbo Diesel	DGD = 3-Spd. Automatic 30RH Transmission
ERO = Engines - All 4.0L 6 Cyl Gas	DGK = 4-Spd. Automatic 42RE Transmission
EPO = ENGINES - ALL 2.5L 4 CYL GAS	DGS = 4-Speed Automatic AW4 Transmission
	DGT = 4-Spd. Automatic 46RE Transmission
	DGW = TRANSMISSION - 4-SPD. AUTOMATIC,44RE
	DGX = 4-Speed Automatic Transmission
	DGY = No Description Available
	DGZ = Transmission- 4-Spd. Automatic,MT643
	DBB = ALL MANUAL TRANSMISSIONS
	DG0 = TRANSMISSIONS - ALL AUTOMATIC

AR = use ase required - = Non illustrated part

1998 XJ

Front Stabilizer Bar and Track Bar
Figure 2-130

ITEM	PART NUMBER	QTY	LINE	SERIES	BODY	ENGINE	TRANS	TRIM	DESCRIPTION
------	-------------	-----	------	--------	------	--------	-------	------	-------------

Note; Sales Codes;
[ENC]=Engine - 2.5L Diesel
[EP0]=Engines - All 2.5L Gas
[ER0]=Engines - All 4.0L Gas

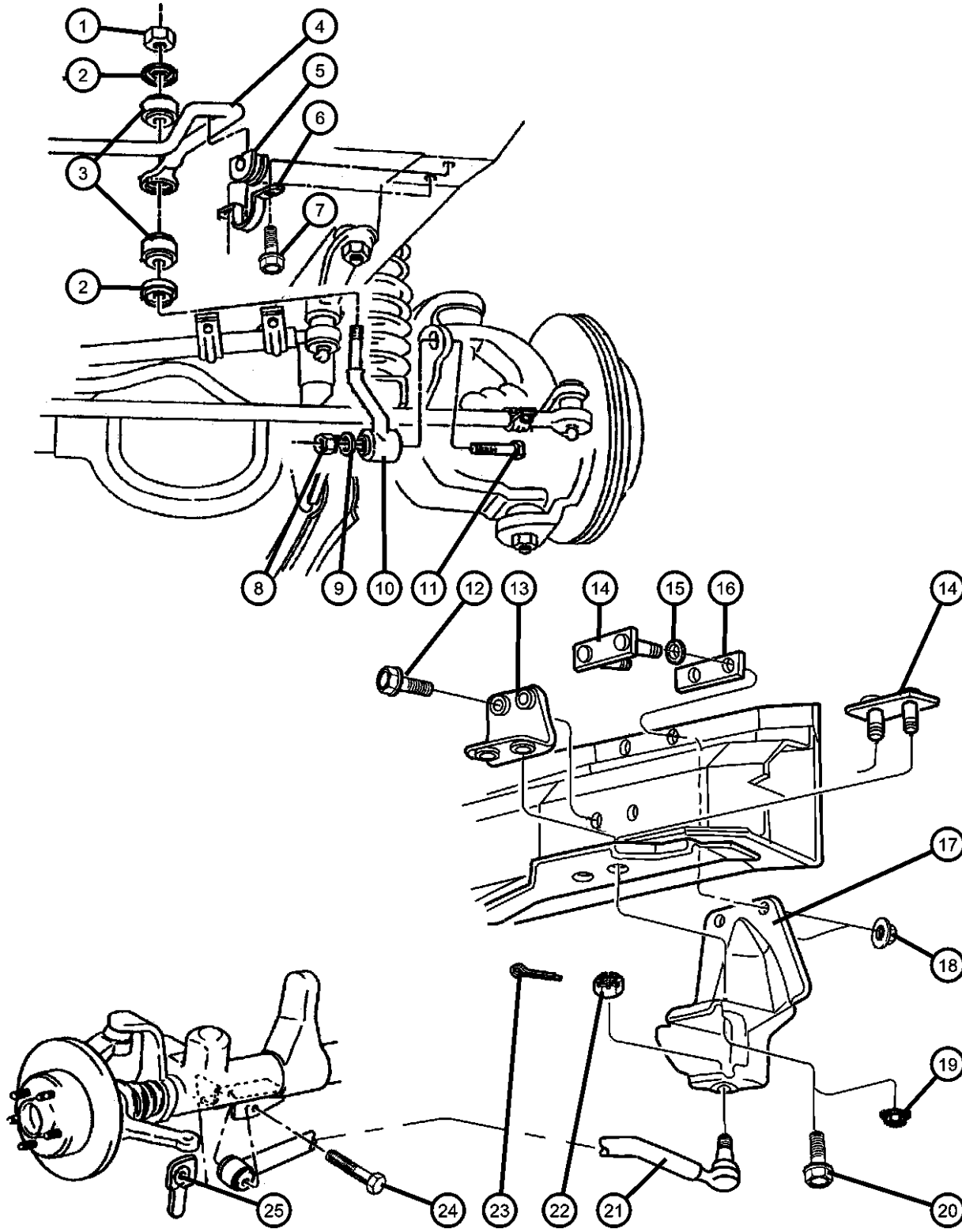
1	53000899	2							NUT, M10x1.50, (NOT SERVICED)
2	52087668	4							RETAINER, Stabilizer Bar GrommetMounting
3	52001132	4							GROMMET, Stabilizer BarMounting
4	52087859	1							BAR, Front Sway
5	52088523	2							CUSHION, Sway EliminatorMount- ing
6	52087865	2							RETAINER, Stabilizer Bar GrommetMounting
7	34201540	4							BOLT AND WASHER, Implement Attaching, Sway Bar Retainer, Mounting
8	06502697	2							NUT, Hex Flange Lock, M12x1.75, Sway Bar Link to Axle, Mounting
9	06502697	2							WASHER, Flat, (NOT SERVICED)
10	52037849	2							LINK, Sway EliminatorMounting
11	06503032	2							SCREW, Pan Head, M12 x 1.75 x 58.00, Sway Bar Link to Axle, Mounting
12		2							BOLT, Hex Flange Head, M10x1.50x35 Reinforcement, Mounting
	06502137	2				ENC			Reinforcement, Mounting
		2	B, U			EP0, ER0			Reinforcement, Mounting
13									REINFORCEMENT, Track Bar

CHEROKEE (XJ)

SERIES LINE
L = LOWLINE B = JEEP - 2WD (RHD)
U = JEEP - 4WD (RHD)
T = LHD - (2WD)
J = JEEP - - LHD (4WD)

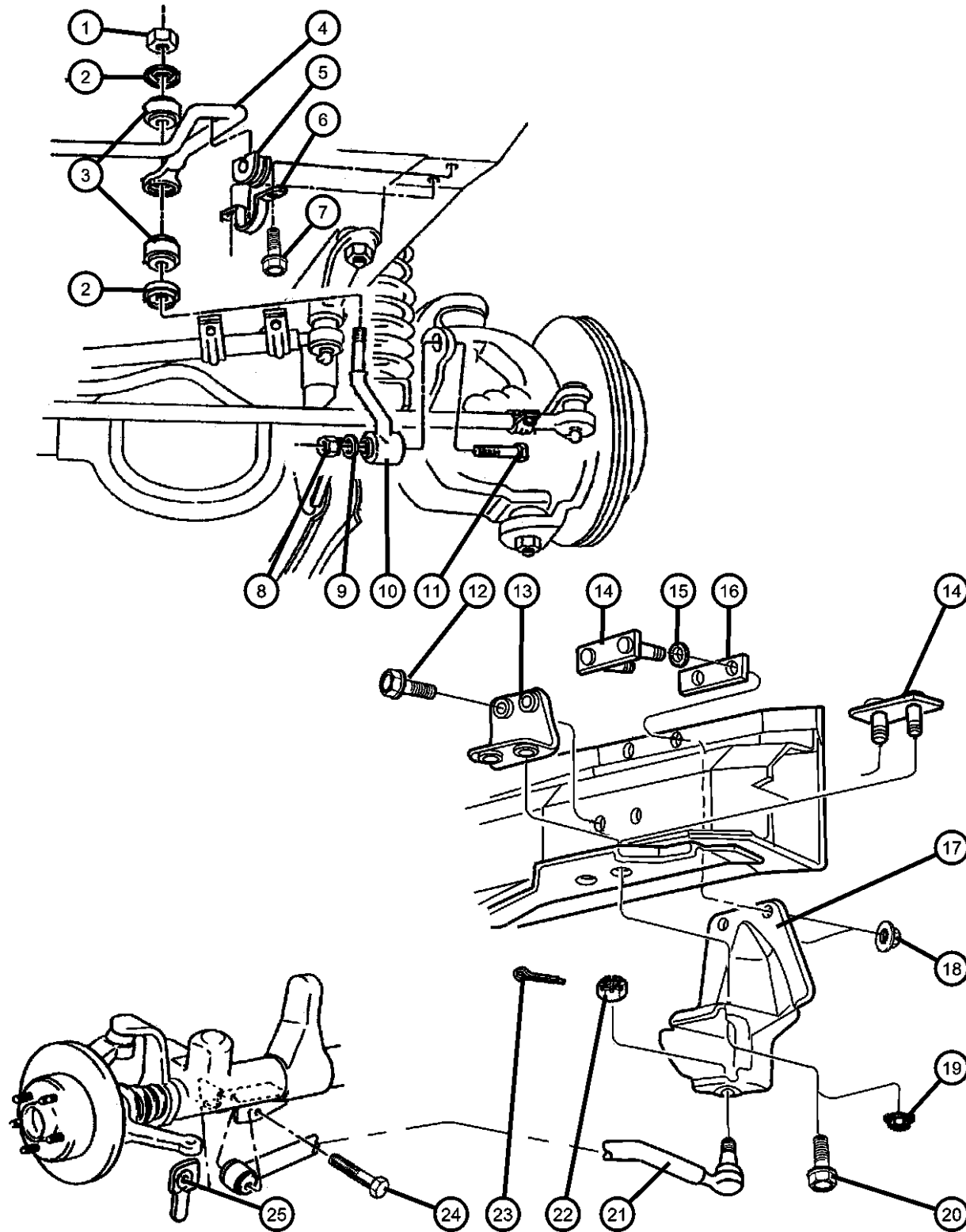
BODY
72 = 2DR (101.4 WB)
74 = 4 DR (101.4 WB)

ENGINE TRANSMISSION
ENC = 2.5L 4 Cyl Turbo Diesel Engine DCB = Transmission - 4-Speed Manual, T3340
EPE = Engine - 2.5L Power Tech I-4 Cyl. DDQ = 5-Speed Manual Transmission
ERH = 4.0L Power Tech I-6 Engine DDX = 5-Speed HD Manual Transmission
ENO = Engines - ALL 4/5 CYL Turbo Diesel DGD = 3-Spd. Automatic 30RH Transmission
ERO = Engines - All 4.0L 6 Cyl Gas DGK = 4-Spd. Automatic 42RE Transmission
EP0 = ENGINES - ALL 2.5L 4 CYL GAS DGS = 4-Speed Automatic AW4 Transmission
DGT = 4-Spd. Automatic 46RE Transmission
DGW = TRANSMISSION - 4-SPD. AUTOMATIC, 44RE
DGX = 4-Speed Automatic Transmission
DGY = No Description Available
DGZ = Transmission- 4-Spd. Automatic, MT643
DBB = ALL MANUAL TRANSMISSIONS
DGO = TRANSMISSIONS - ALL AUTOMATIC



AR = use ase required - = Non illustrated part

Front Stabilizer Bar and Track Bar
Figure 2-130



ITEM	PART NUMBER	QTY	LINE	SERIES	BODY	ENGINE	TRANS	TRIM	DESCRIPTION
	52037507	1	B, U						Mounting
	52087861	1	J, T			ENC			Mounting
14	52001493	1	B, U			EP0			PLATE, Track Bar
		1	J, T			EP0			Mounting
15	J0120396	1	B, U						WASHER, Flat, .531x1.09
16	J0120396	1							BRACKET, Sill, (NOT SERVICED)
17									BRACKET, Track Bar
	52006508AC	1	B, U						Mounting
	52007121AC	1	J, T						Mounting
18	06502697	2							NUT, Hex Flange Lock, M12x1.75, Bracket to Reinforcement, Mounting
19	06502697	2							NUT, Hex Flange Lock, M12x1.75, Bracket to Track Bar Plate, Mounting
20	34201964	2							BOLT, Hex Flange Head, M12x1.75x40, Bracket to Reinforcement, Mounting
21									BAR, Track
	52007118	1	J, T						
	53054317	1	B, U						
22	J0274428	1							NUT, Hex Slotted, Track Bar to Bracket, Mounting
23	34202101	1							PIN, Cotter, Track Bar, Mounting

CHEROKEE (XJ)

SERIES LINE
 L = LOWLINE B = JEEP - 2WD (RHD)
 U = JEEP - 4WD (RHD)
 T = LHD - (2WD)
 J = JEEP - - LHD (4WD)

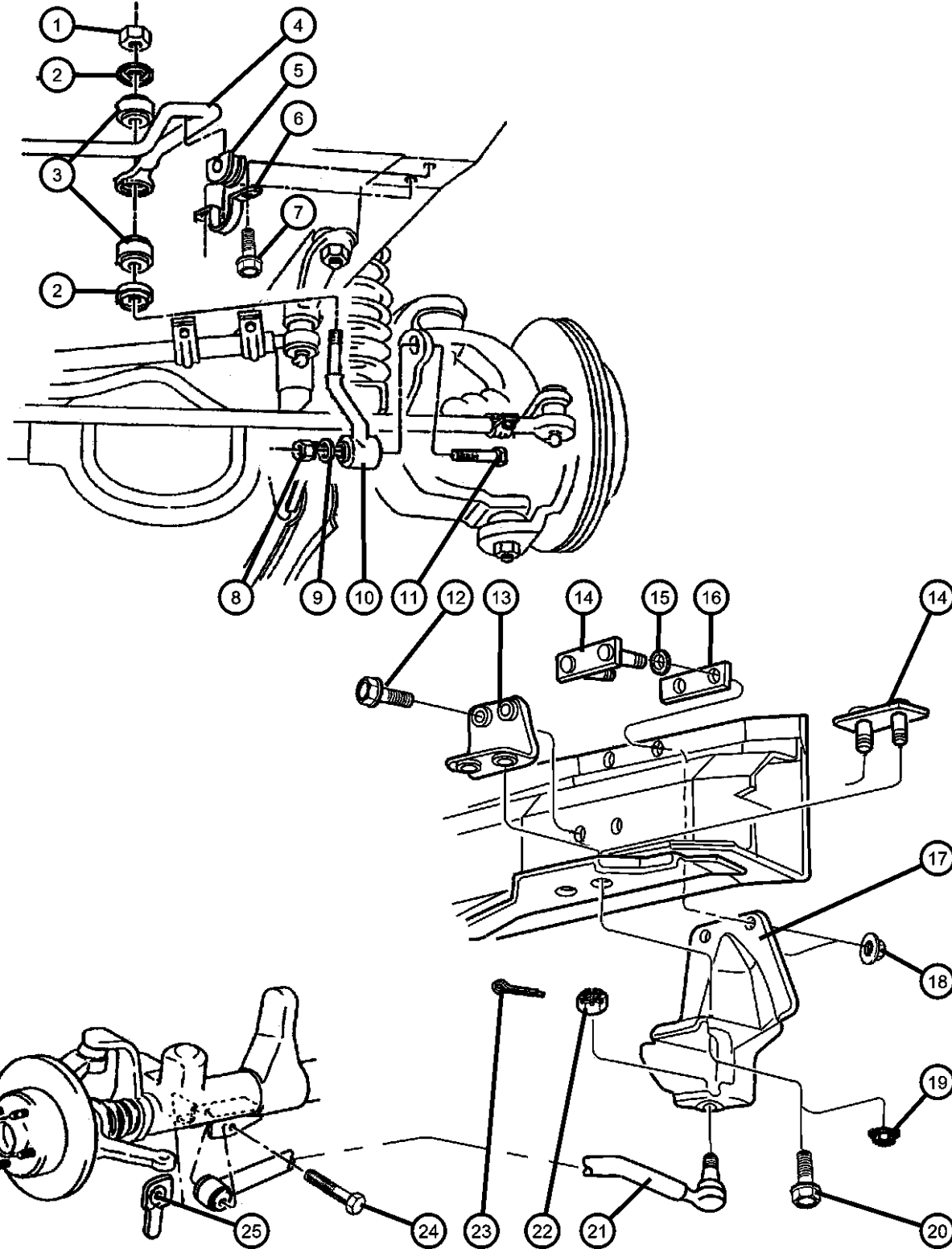
BODY
 72 = 2DR (101.4 WB)
 74 = 4 DR (101.4 WB)

ENGINE TRANSMISSION
 ENC = 2.5L 4 Cyl Turbo Diesel Engine
 EPE = Engine - 2.5L Power Tech I-4 Cyl.
 ERH = 4.0L Power Tech I-6 Engine
 ENO = Engines - ALL 4/5 CYL Turbo Diesel
 ERO = Engines - All 4.0L 6 Cyl Gas
 EP0 = ENGINES - ALL 2.5L 4 CYL GAS
 DCB = Transmission - 4-Speed Manual, T3340
 DDQ = 5-Speed Manual Transmission
 DDG = 5-Speed HD Manual Transmission
 DGD = 3-Spd. Automatic 30RH Transmission
 DGK = 4-Spd. Automatic 42RE Transmission
 DGS = 4-Speed Automatic AW4 Transmission
 DGT = 4-Spd. Automatic 46RE Transmission
 DGW = TRANSMISSION - 4-SPD. AUTOMATIC, 44RE
 DGX = 4-Speed Automatic Transmission
 DGY = No Description Available
 DGZ = Transmission- 4-Spd. Automatic, MT643
 DBB = ALL MANUAL TRANSMISSIONS
 DGO = TRANSMISSIONS - ALL AUTOMATIC

AR = use ase required - = Non illustrated part

Front Stabilizer Bar and Track Bar
Figure 2-130

ITEM	PART NUMBER	QTY	LINE	SERIES	BODY	ENGINE	TRANS	TRIM	DESCRIPTION
------	-------------	-----	------	--------	------	--------	-------	------	-------------



24	06505549AA	1							SCREW, Track Bar To Axle, Mounting
25	52087888	1	B, U						NUT, Hex Flange Lock, M10x1.5, Track Bar To Axle, Mounting

CHEROKEE (XJ)

SERIES LINE
L = LOWLINE B = JEEP - 2WD (RHD)
U = JEEP - 4WD (RHD)
T = LHD - (2WD)
J = JEEP - - LHD (4WD)

BODY
72 = 2DR (101.4 WB)
74 = 4 DR (101.4 WB)

ENGINE TRANSMISSION
ENC = 2.5L 4 Cyl Turbo Diesel Engine DCB = Transmission - 4-Speed Manual, T3340
EPE = Engine - 2.5L Power Tech I-4 Cyl. DDQ = 5-Speed Manual Transmission
ERH = 4.0L Power Tech I-6 Engine DDX = 5-Speed HD Manual Transmission
ENO = Engines - ALL 4/5 CYL Turbo Diesel DGD = 3-Spd. Automatic 30RH Transmission
ERO = Engines - All 4.0L 6 Cyl Gas DGK = 4-Spd. Automatic 42RE Transmission
EPO = ENGINES - ALL 2.5L 4 CYL GAS DGS = 4-Speed Automatic AW4 Transmission
DGT = 4-Spd. Automatic 46RE Transmission
DGW = TRANSMISSION - 4-SPD. AUTOMATIC, 44RE
DGX = 4-Speed Automatic Transmission
DGY = No Description Available
DGZ = Transmission- 4-Spd. Automatic, MT643
DBB = ALL MANUAL TRANSMISSIONS
DGO = TRANSMISSIONS - ALL AUTOMATIC

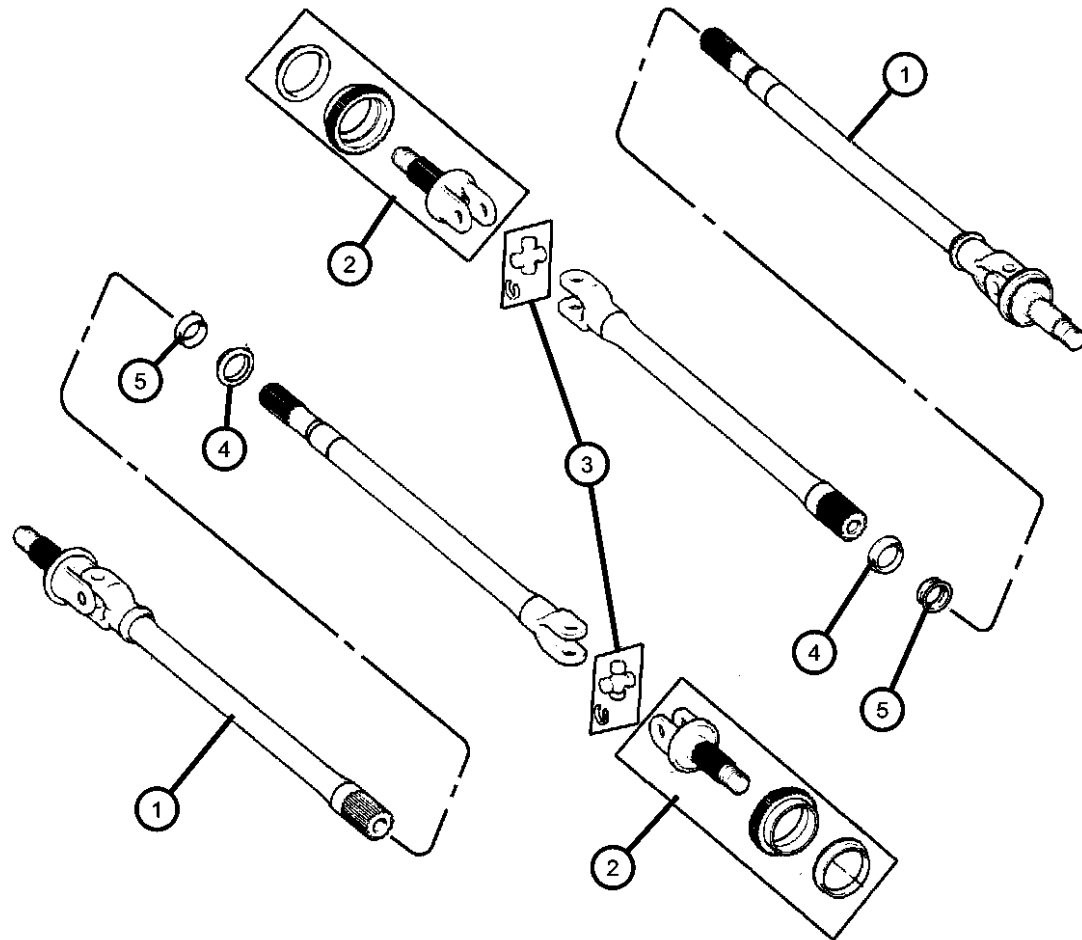
AR = use ase required - = Non illustrated part

Shafts,Front Axle
Figure 2-210

ITEM	PART NUMBER	QTY	LINE	SERIES	BODY	ENGINE	TRANS	TRIM	DESCRIPTION
------	-------------	-----	------	--------	------	--------	-------	------	-------------

Note;Sales Codes:
[BGA]=Brakes - Power Front Disc/Rear Drum
[BGK]=Brakes - 4 Wheel Anti-Lock

1									SHAFT, Axle
	04874302	1	U						[BGA], Right
	04874303	1	J						[BGA], Left
		1	U						[BGA], Left
		1	J						[BGA], Right
	04874306	1	U						[BGK], Right
	04874307	1	J						[BGK], Left
		1	U						[BGK], Left
		1	J						[BGK], Right
2									SHAFT, Stub
	04728984	2	J						[BGK]
	83500184	2	J						[BGA]
		2	U						[BGA]
		2	U						[BGK]
3									U JOINT, Front Axle
	04137757	2	J						
		2	U						
4									SLINGER, Oil
	04882135	2	J						
		2	U						



CHEROKEE (XJ)

SERIES LINE
L = LOWLINE B = JEEP - 2WD (RHD)
U = JEEP - 4WD (RHD)
T = LHD - (2WD)
J = JEEP - - LHD (4WD)

BODY
72 = 2DR (101.4 WB)
74 = 4 DR (101.4 WB)

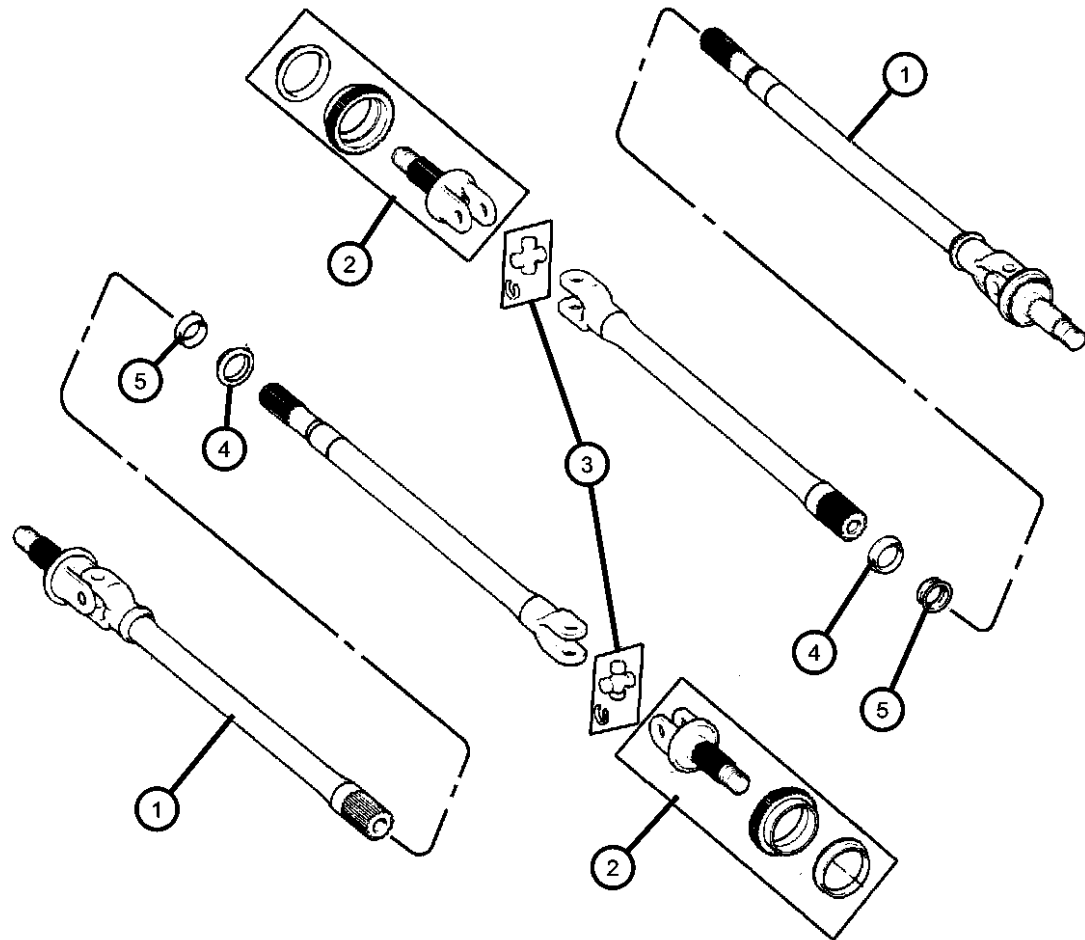
ENGINE TRANSMISSION
ENC = 2.5L 4 Cyl Turbo Diesel Engine DCB = Transmission - 4-Speed Manual,T3340
EPE = Engine - 2.5L Power Tech I-4 Cyl. DDQ = 5-Speed Manual Transmission
ERH = 4.0L Power Tech I-6 Engine DDX = 5-Speed HD Manual Transmission
ENO = Engines - ALL 4/5 CYL Turbo Diesel DGD = 3-Spd. Automatic 30RH Transmission
ERO = Engines - All 4.0L 6 Cyl Gas DGK = 4-Spd. Automatic 42RE Transmission
EPO = ENGINES - ALL 2.5L 4 CYL GAS DGS = 4-Speed Automatic AW4 Transmission
DGT = 4-Spd. Automatic 46RE Transmission
DGW = TRANSMISSION - 4-SPD. AUTOMATIC,44RE
DGX = 4-Speed Automatic Transmission
DGY = No Description Available
DGZ = Transmission- 4-Spd. Automatic,MT643
DBB = ALL MANUAL TRANSMISSIONS
DGO = TRANSMISSIONS - ALL AUTOMATIC

AR = use ase required - = Non illustrated part

1998 XJ

Shafts,Front Axle
Figure 2-210

ITEM	PART NUMBER	QTY	LINE	SERIES	BODY	ENGINE	TRANS	TRIM	DESCRIPTION
5									SEAL, Axle Drive Shaft
	04874477	2	J						
		2	U						



CHEROKEE (XJ)

SERIES LINE
L = LOWLINE B = JEEP - 2WD (RHD)
U = JEEP - 4WD (RHD)
T = LHD - (2WD)
J = JEEP - - LHD (4WD)

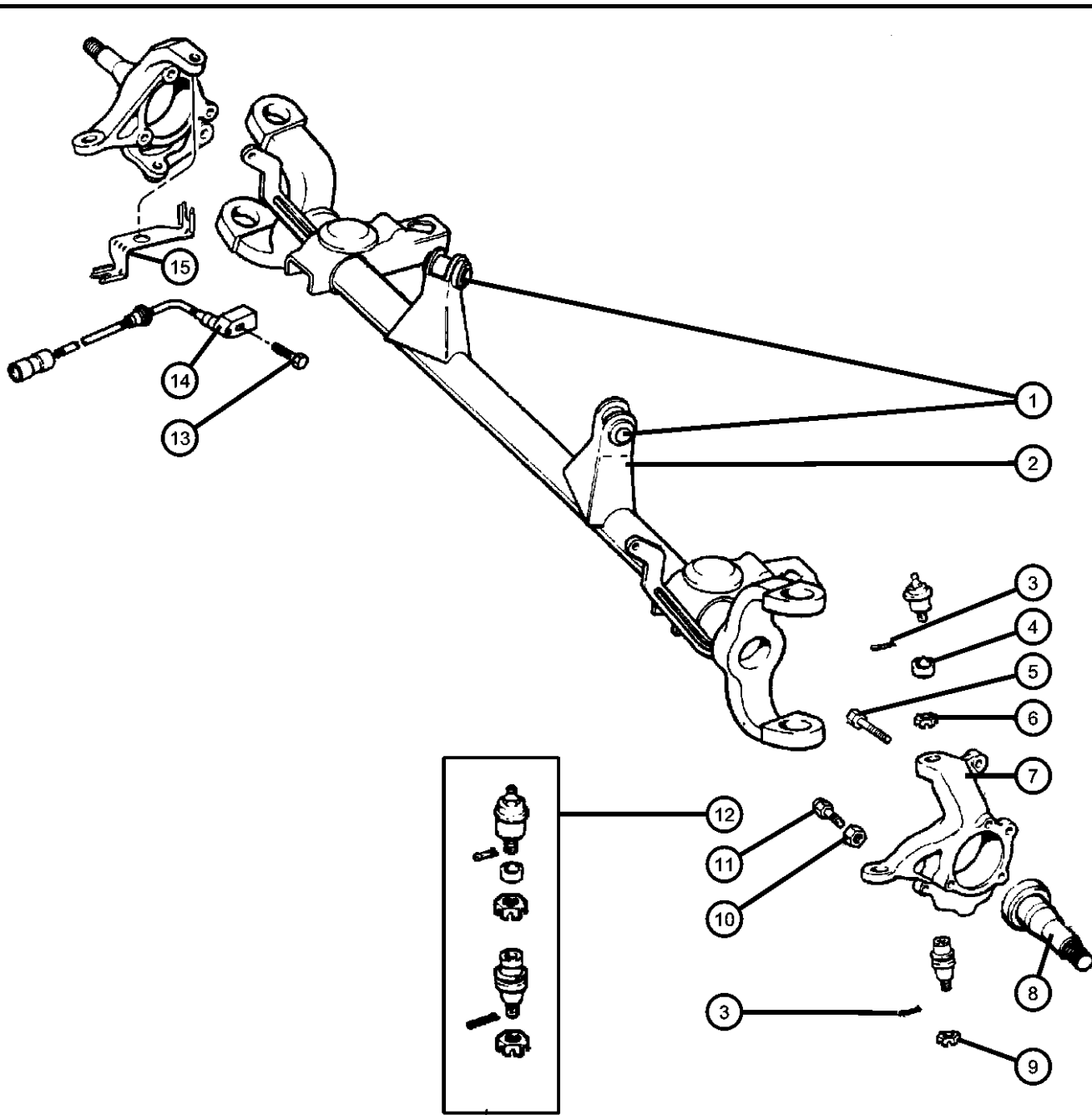
BODY
72 = 2DR (101.4 WB)
74 = 4 DR (101.4 WB)

ENGINE TRANSMISSION
ENC = 2.5L 4 Cyl Turbo Diesel Engine DCB = Transmission - 4-Speed Manual,T3340
EPE = Engine - 2.5L Power Tech I-4 Cyl. DDQ = 5-Speed Manual Transmission
ERH = 4.0L Power Tech I-6 Engine DDX = 5-Speed HD Manual Transmission
ENO = Engines - ALL 4/5 CYL Turbo Diesel DGD = 3-Spd. Automatic 30RH Transmission
ERO = Engines - All 4.0L 6 Cyl Gas DGK = 4-Spd. Automatic 42RE Transmission
EPO = ENGINES - ALL 2.5L 4 CYL GAS DGS = 4-Speed Automatic AW4 Transmission
DGT = 4-Spd. Automatic 46RE Transmission
DGW = TRANSMISSION - 4-SPD. AUTOMATIC,44RE
DGX = 4-Speed Automatic Transmission
DGY = No Description Available
DGZ = Transmission- 4-Spd. Automatic,MT643
DBB = ALL MANUAL TRANSMISSIONS
DGO = TRANSMISSIONS - ALL AUTOMATIC

AR = use ase required - = Non illustrated part

1998 XJ

Housing,Front Axle,2 Wheel Drive
Figure 2-310

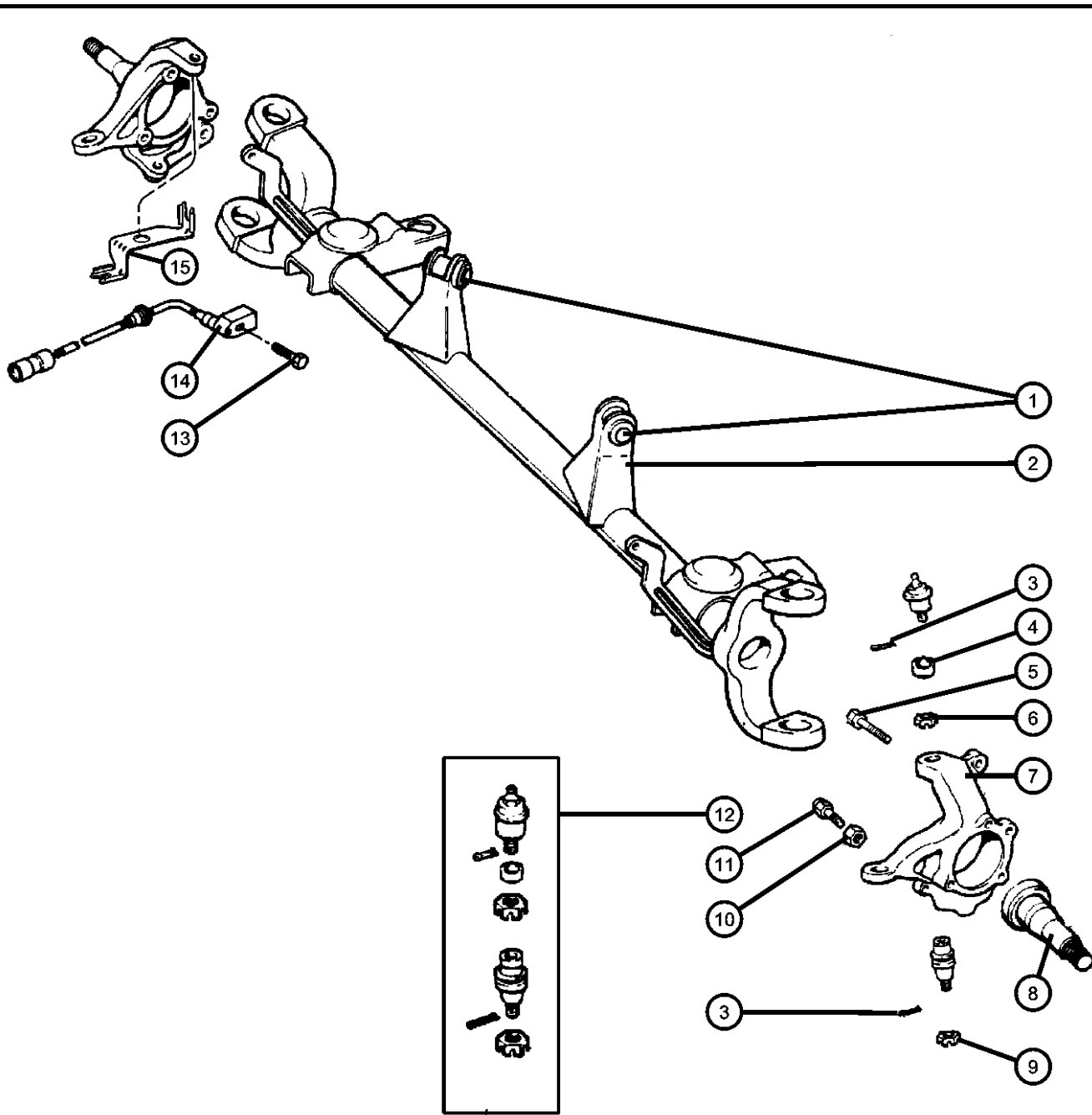


ITEM	PART NUMBER	QTY	LINE	SERIES	BODY	ENGINE	TRANS	TRIM	DESCRIPTION
1	52038025	2	T						BUSHING, Control Arm
		2	B		74				
2	04773430	1	B		74				HOUSING, Front Axle
	04773452	1	T						
3	J0137214	2	T						PIN, Cotter
		2	B		74				
4	83500203	2	T						RING, Ball Joint
		2	B		74				
5	34201535	6	T						BOLT
		6	B		74				
6	J0125258	2	T						NUT, Steering Knuckle Socket
		2	B		74				
7	52067576	1	T						KNUCKLE, Front Right
		1	B		74				Right
	52067577	1	T						Left
		1	B		74				Left

CHEROKEE (XJ)
 SERIES LINE BODY ENGINE TRANSMISSION
 L = LOWLINE B = JEEP - 2WD (RHD) 72 = 2DR (101.4 WB) ENC = 2.5L 4 Cyl Turbo Diesel DCB = Transmission - 4-Speed Manual,T3340
 U = JEEP - 4WD (RHD) 74 = 4 DR (101.4 WB) EPE = Engine - 2.5L Power Tech I-4 Cyl. DDQ = 5-Speed Manual Transmission
 T = LHD - (2WD) ERH = 4.0L Power Tech I-6 Engine DDG = 5-Speed HD Manual Transmission
 J = JEEP - - LHD (4WD) ENO = Engines - ALL 4/5 CYL Turbo Diesel DGD = 3-Spd. Automatic 30RH Transmission
 ERO = Engines - All 4.0L 6 Cyl Gas DGK = 4-Spd. Automatic 42RE Transmission
 EPO = ENGINES - ALL 2.5L 4 CYL GAS DGS = 4-Speed Automatic AW4 Transmission
 DGT = 4-Spd. Automatic 46RE Transmission
 DGW = TRANSMISSION - 4-SPD. AUTOMATIC,44RE
 DGX = 4-Speed Automatic Transmission
 DGY = No Description Available
 DGZ = Transmission- 4-Spd. Automatic,MT643
 DBB = ALL MANUAL TRANSMISSIONS
 DGO = TRANSMISSIONS - ALL AUTOMATIC

AR = use ase required - = Non illustrated part

Housing,Front Axle,2 Wheel Drive
Figure 2-310

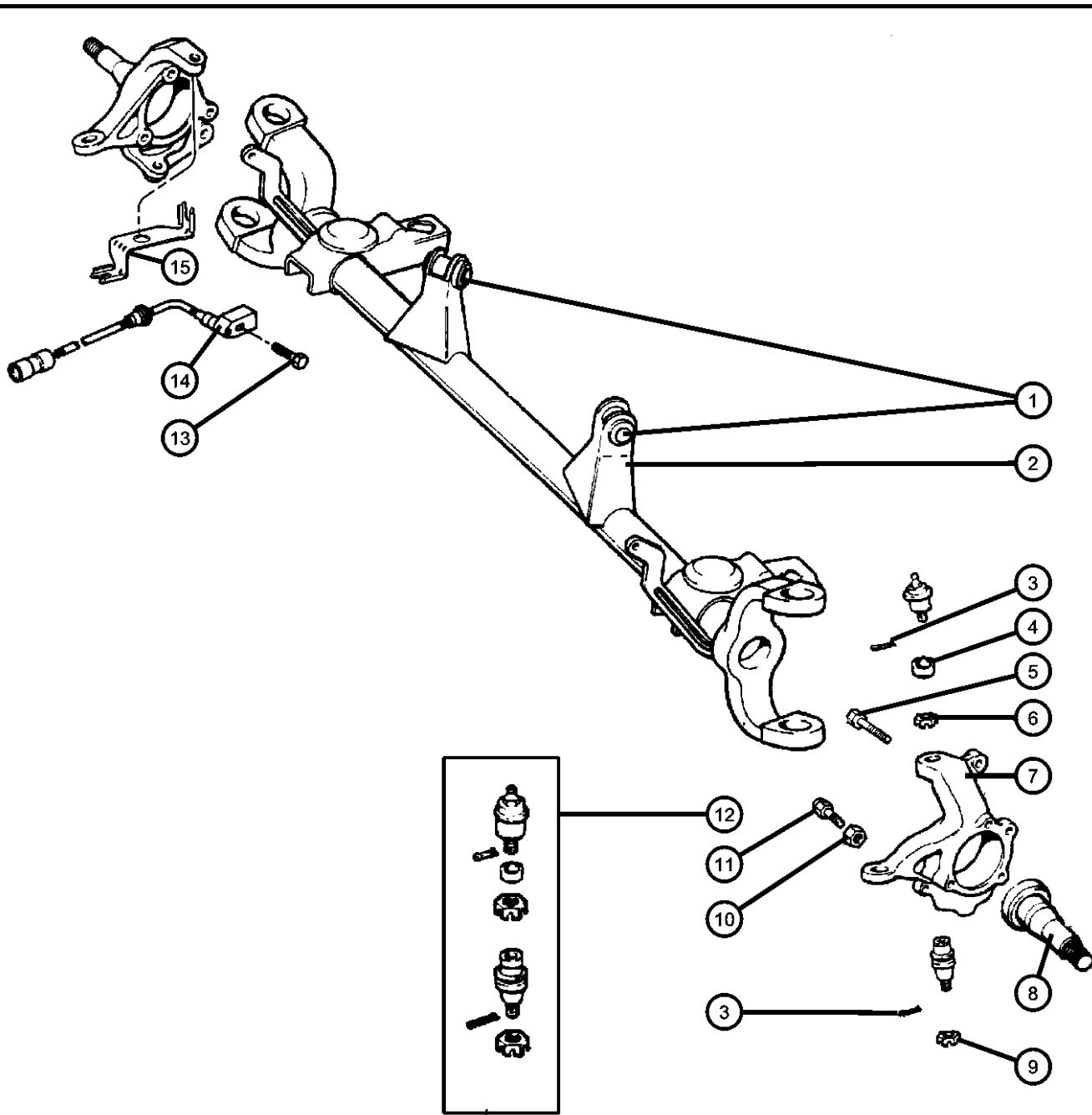


ITEM	PART NUMBER	QTY	LINE	SERIES	BODY	ENGINE	TRANS	TRIM	DESCRIPTION
8	04741011	2	T						SHAFT, Dummy Right or Left
		2	B		74				Right or Left
9	J8123318	2	B		74				NUT
		2	T						
10	S0114494	2	T						NUT, Steering Knuckle Stop
		2	B		74				Stop
11	01791701	2	T						BOLT, Steering Knuckle Stop
		2	B		74				
12	83500202	2	T						BALL JOINT KIT, Knuckle
		2	B		74				
13	83504920	2	T						BOLT ABS Sensor, Mounting
		2	B		74				ABS Sensor, Mounting
14	56005217	2	T						SENSOR, Anti-Lock Brakes
		2	B		74				
15									BRACKET, Brake Sensor

CHEROKEE (XJ)
 SERIES LINE BODY ENGINE TRANSMISSION
 L = LOWLINE B = JEEP - 2WD (RHD) 72 = 2DR (101.4 WB) ENC = 2.5L 4 Cyl Turbo Diesel DCB = Transmission - 4-Speed Manual,T3340
 U = JEEP - 4WD (RHD) 74 = 4 DR (101.4 WB) EPE = Engine - 2.5L Power Tech I-4 Cyl. DDQ = 5-Speed Manual Transmission
 T = LHD - (2WD) ERH = 4.0L Power Tech I-6 Engine DDG = 5-Speed HD Manual Transmission
 J = JEEP - - LHD (4WD) ENO = Engines - ALL 4/5 CYL Turbo Diesel DGD = 3-Spd. Automatic 30RH Transmission
 ERO = Engines - All 4.0L 6 Cyl Gas DGK = 4-Spd. Automatic 42RE Transmission
 EPO = ENGINES - ALL 2.5L 4 CYL GAS DGS = 4-Speed Automatic AW4 Transmission
 DGT = 4-Spd. Automatic 46RE Transmission
 DGW = TRANSMISSION - 4-SPD. AUTOMATIC,44RE
 DGX = 4-Speed Automatic Transmission
 DGY = No Description Available
 DGZ = Transmission- 4-Spd. Automatic,MT643
 DBB = ALL MANUAL TRANSMISSIONS
 DGO = TRANSMISSIONS - ALL AUTOMATIC

AR = use ase required - = Non illustrated part

Housing,Front Axle,2 Wheel Drive
Figure 2-310



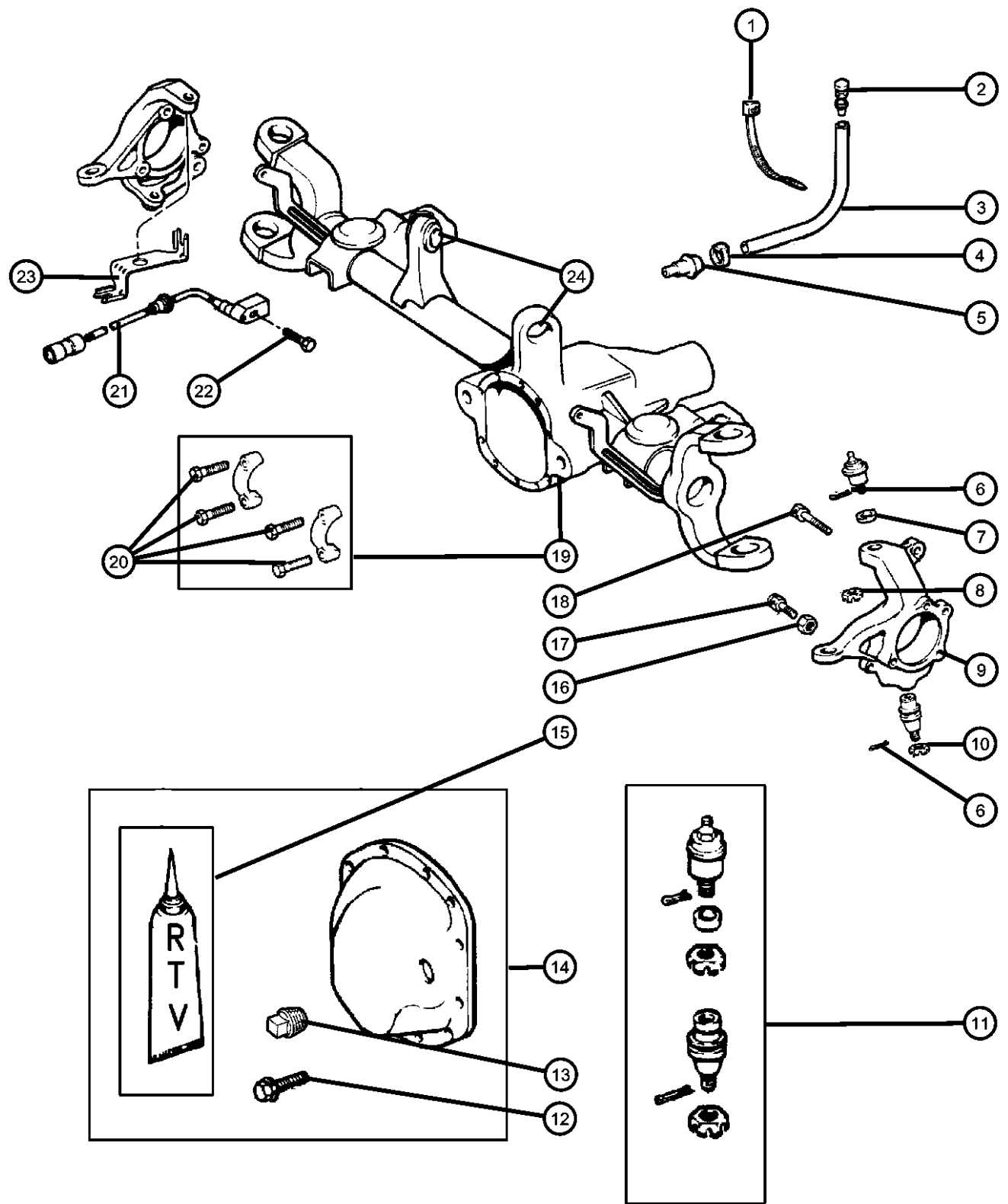
ITEM	PART NUMBER	QTY	LINE	SERIES	BODY	ENGINE	TRANS	TRIM	DESCRIPTION
	56026766	1	T						Right
		1	B		74				Right
	56026767	1	T						Left
		1	B		74				Left

CHEROKEE (XJ)
 SERIES LINE BODY ENGINE TRANSMISSION
 L = LOWLINE B = JEEP - 2WD (RHD) 72 = 2DR (101.4 WB) ENC = 2.5L 4 Cyl Turbo Diesel DCB = Transmission - 4-Speed Manual,T3340
 U = JEEP - 4WD (RHD) 74 = 4 DR (101.4 WB) EPE = Engine - 2.5L Power Tech I-4 Cyl. DDQ = 5-Speed Manual Transmission
 T = LHD - (2WD) ERH = 4.0L Power Tech I-6 Engine DDX = 5-Speed HD Manual Transmission
 J = JEEP - - LHD (4WD) Engine DGD = 3-Spd. Automatic 30RH Transmission
 ENO = Engines - ALL 4/5 CYL Turbo Diesel DGK = 4-Spd. Automatic 42RE Transmission
 ERO = Engines - All 4.0L 6 Cyl Gas DGS = 4-Speed Automatic AW4 Transmission
 EPO = ENGINES - ALL 2.5L 4 CYL GAS DGT = 4-Spd. Automatic 46RE Transmission
 DGW = TRANSMISSION - 4-SPD. AUTOMATIC,44RE
 DGX = 4-Speed Automatic Transmission
 DGY = No Description Available
 DGZ = Transmission- 4-Spd. Automatic,MT643
 DBB = ALL MANUAL TRANSMISSIONS
 DGO = TRANSMISSIONS - ALL AUTOMATIC

AR = use ase required - = Non illustrated part

Housing,Front Axle,4 Wheel Drive

Figure 2-320



ITEM	PART NUMBER	QTY	LINE	SERIES	BODY	ENGINE	TRANS	TRIM	DESCRIPTION
------	-------------	-----	------	--------	------	--------	-------	------	-------------

Note: Sales Codes;
 [ENC]=Engine - 2.5L 4 Cylinder Turbo Diesel
 [EN0]=Engines - All 4/5 Cylinder Turbo Diesel
 [EP0]=Engines - All 2.5L 4 Cylinder Gas
 [ER0]=Engines - All 4.0L 6 Cylinder Gas

1	04641780	1	J, U						STRAP, Tie, Holds Upper Vent Hose
2	J5352955	1	J, U						VENT, AxleUpper
3	HFV00516	1	J, U						HOSE, Fuel And Vapor, 25 Foot Roll 5/16", Axle Vent
4	06502081	2	J, U						CLAMP, Oil Cooler LineLower
5									VENT, Axle Lower
	83504653	1	J						Lower
		1	U						Lower
6									PIN, Cotter, M4x40.00
	11010069	6	J						
		6	U						
7									RING, Ball Joint
	83500203	2	J						
		2	U						
8									NUT, Steering Knuckle Socket
	J0125258	2	J						
		2	U						
9									KNUCKLE, Front Right
	52067576	1	J						

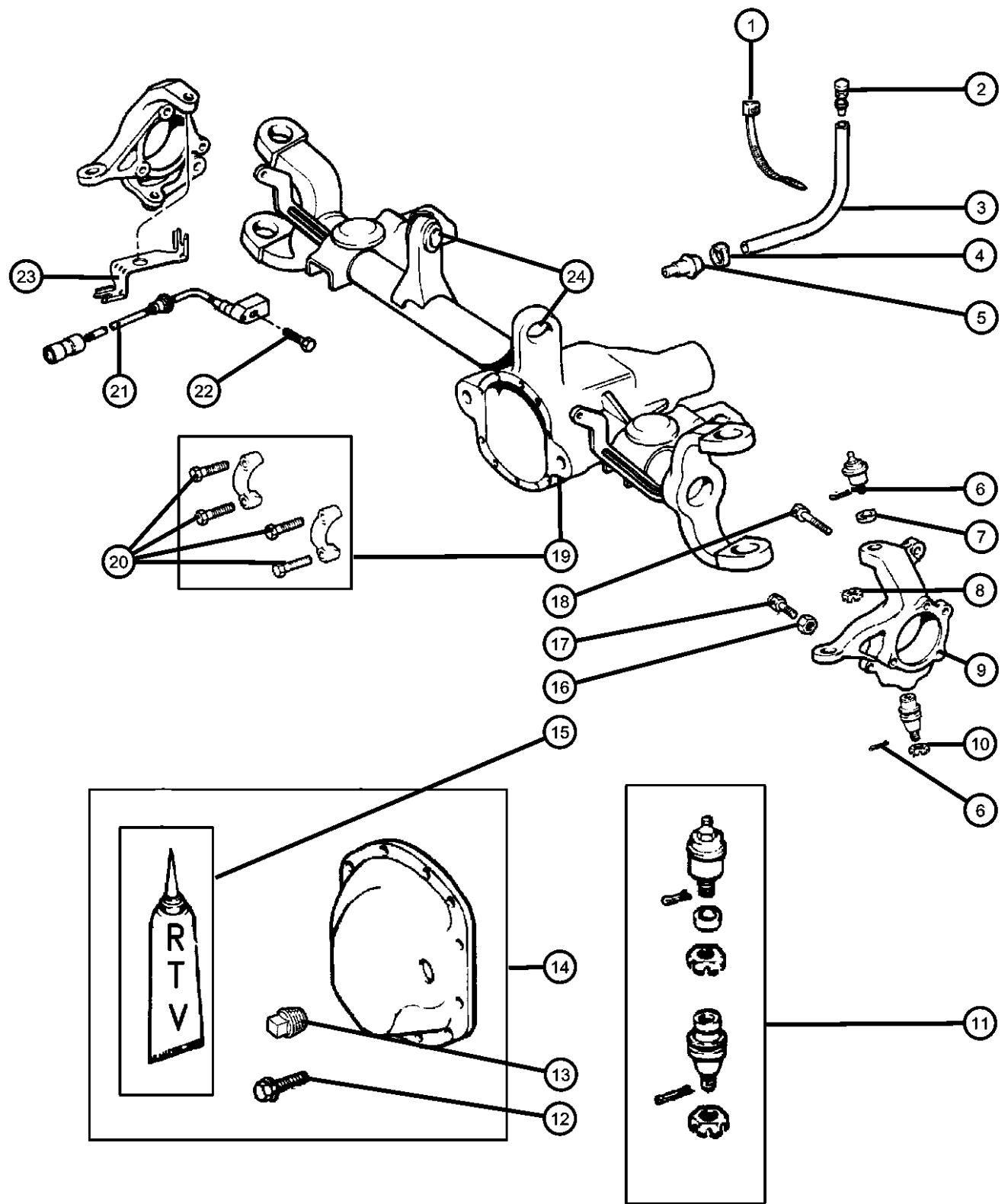
CHEROKEE (XJ)

SERIES	LINE	BODY	ENGINE	TRANSMISSION
L = LOWLINE	B = JEEP - 2WD (RHD) U = JEEP - 4WD (RHD) T = LHD - (2WD) J = JEEP - - LHD (4WD)	72 = 2DR (101.4 WB) 74 = 4 DR (101.4 WB)	ENC = 2.5L 4 Cyl Turbo Diesel Engine EPE = Engine - 2.5L Power Tech I-4 Cyl. ERH = 4.0L Power Tech I-6 Engine ENO = Engines - ALL 4/5 CYL Turbo Diesel ERO = Engines - All 4.0L 6 Cyl Gas EP0 = ENGINES - ALL 2.5L 4 CYL GAS	DCB = Transmission - 4-Speed Manual,T3340 DDQ = 5-Speed Manual Transmission DDX = 5-Speed HD Manual Transmission DGD = 3-Spd. Automatic 30RH Transmission DGK = 4-Spd. Automatic 42RE Transmission DGS = 4-Speed Automatic AW4 Transmission DGT = 4-Spd. Automatic 46RE Transmission DGW = TRANSMISSION - 4-SPD. AUTOMATIC,44RE DGX = 4-Speed Automatic Transmission DGY = No Description Available DGZ = Transmission- 4-Spd. Automatic,MT643 DBB = ALL MANUAL TRANSMISSIONS DGO = TRANSMISSIONS - ALL AUTOMATIC

AR = use ase required - = Non illustrated part

Housing,Front Axle,4 Wheel Drive

Figure 2-320



ITEM	PART NUMBER	QTY	LINE	SERIES	BODY	ENGINE	TRANS	TRIM	DESCRIPTION
		1	U						Right
	52067577	1	J						Left
		1	U						Left
10									NUT
	J8123318	2	J						
		2	U						
11									BALL JOINT KIT, Knuckle
	83500202	2	J						
		2	U						
12									BOLT, Differential Cover
	02954031	10	J						
		10	U						
13									PLUG, Differential Cover
	J4004751	1	J						
		1	U						
14									COVER, Differential
	05252583	1	J						
		1	U						
15									SEALANT, RTV
	04318025	1	J, U			EP0	DDQ		
		1	J, U			ER0			
16									NUT, Steering Knuckle

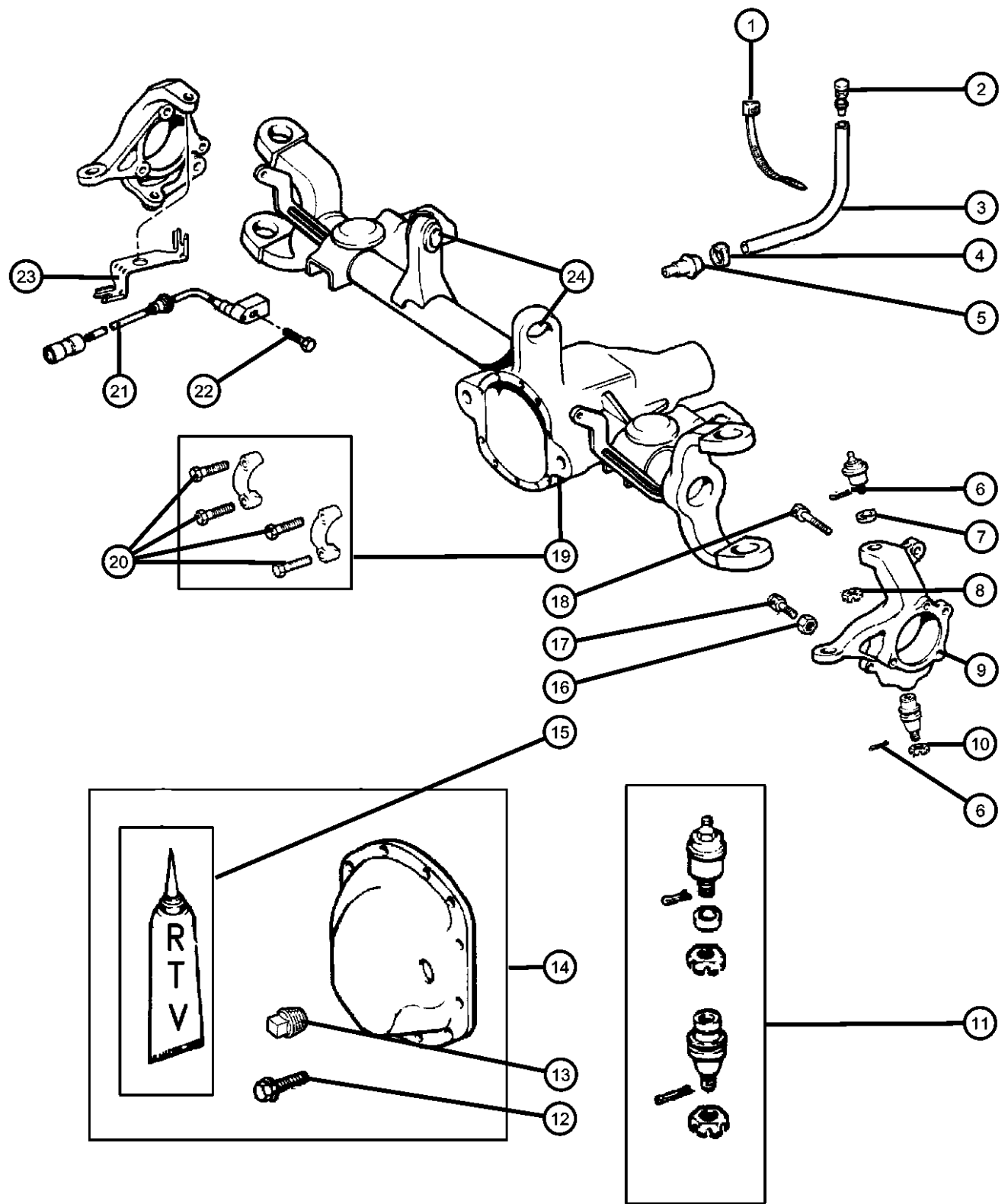
CHEROKEE (XJ)

SERIES	LINE	BODY	ENGINE	TRANSMISSION
L = LOWLINE	B = JEEP - 2WD (RHD) U = JEEP - 4WD (RHD) T = LHD - (2WD) J = JEEP - - LHD (4WD)	72 = 2DR (101.4 WB) 74 = 4 DR (101.4 WB)	ENC = 2.5L 4 Cyl Turbo Diesel Engine EPE = Engine - 2.5L Power Tech I-4 Cyl. ERH = 4.0L Power Tech I-6 Engine ENO = Engines - ALL 4/5 CYL Turbo Diesel ERO = Engines - All 4.0L 6 Cyl Gas EP0 = ENGINES - ALL 2.5L 4 CYL GAS	DCB = Transmission - 4-Speed Manual,T3340 DDQ = 5-Speed Manual Transmission DDX = 5-Speed HD Manual Transmission DGD = 3-Spd. Automatic 30RH Transmission DGK = 4-Spd. Automatic 42RE Transmission DGS = 4-Speed Automatic AW4 Transmission DGT = 4-Spd. Automatic 46RE Transmission DGW = TRANSMISSION - 4-SPD. AUTOMATIC,44RE DGX = 4-Speed Automatic Transmission DGY = No Description Available DGZ = Transmission- 4-Spd. Automatic,MT643 DBB = ALL MANUAL TRANSMISSIONS DGO = TRANSMISSIONS - ALL AUTOMATIC

AR = use ase required - = Non illustrated part

Housing,Front Axle,4 Wheel Drive

Figure 2-320

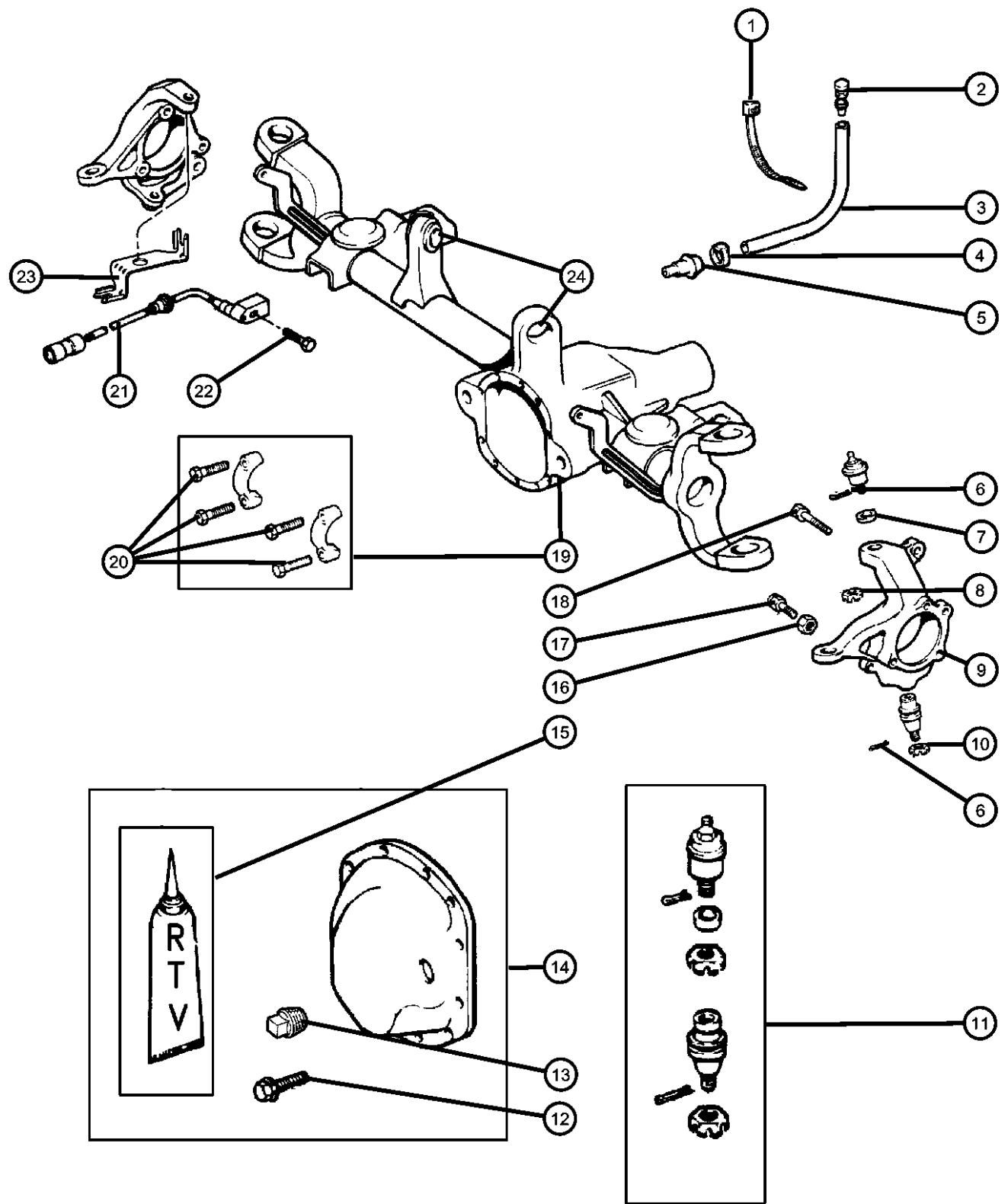


ITEM	PART NUMBER	QTY	LINE	SERIES	BODY	ENGINE	TRANS	TRIM	DESCRIPTION
	S0114494	2	J						Stop
		2	U						Stop
17									BOLT, Steering Knuckle Stop
	01791701	2	J						
		2	U						
18									BOLT
	34201535	6	J						Knuckle to Hub and Bearing, Mounting
		6	U						Knuckle to Hub and Bearing, Mounting
19									HOUSING, Front Axle
	04773429	1	J						Includes Item 24
	04773458	1	U						Includes Item 24
	04778905	1	J			ENC			Includes Item 24
	04797774	1	U			ENC			Includes Item 24
20									BOLT, Differential
	05003648AA	4	J						
		4	U						
21									SENSOR, Anti-Lock Brakes
	56005217	2	J						
		2	U						
22									BOLT
	83504920	2	J						ABS Sensor, Mounting

CHEROKEE (XJ)
 SERIES LINE BODY ENGINE TRANSMISSION
 L = LOWLINE B = JEEP - 2WD (RHD) 72 = 2DR (101.4 WB) ENC = 2.5L 4 Cyl Turbo Diesel DCB = Transmission - 4-Speed Manual,T3340
 U = JEEP - 4WD (RHD) 74 = 4 DR (101.4 WB) EPE = Engine - 2.5L Power Tech I-4 Cyl. DDQ = 5-Speed Manual Transmission
 T = LHD - (2WD) ERH = 4.0L Power Tech I-6 Engine DDG = 5-Speed HD Manual Transmission
 J = JEEP - - LHD (4WD) ENO = Engines - ALL 4/5 CYL Turbo Diesel DGD = 3-Spd. Automatic 30RH Transmission
 ERO = Engines - All 4.0L 6 Cyl Gas DGK = 4-Spd. Automatic 42RE Transmission
 EP0 = ENGINES - ALL 2.5L 4 CYL GAS DGS = 4-Speed Automatic AW4 Transmission
 DGT = 4-Spd. Automatic 46RE Transmission
 DGW = TRANSMISSION - 4-SPD. AUTOMATIC,44RE
 DGX = 4-Speed Automatic Transmission
 DGY = No Description Available
 DGZ = Transmission- 4-Spd. Automatic,MT643
 DBB = ALL MANUAL TRANSMISSIONS
 DG0 = TRANSMISSIONS - ALL AUTOMATIC

AR = use ase required - = Non illustrated part

Housing,Front Axle,4 Wheel Drive
Figure 2-320



ITEM	PART NUMBER	QTY	LINE	SERIES	BODY	ENGINE	TRANS	TRIM	DESCRIPTION
23		2	U						ABS Sensor, Mounting BRACKET, Brake Sensor
	56026766	1	J						ABS, Right
		1	U						ABS, Right
	56026767	1	J						ABS, Left
		1	U						ABS, Left
24		2	J						BUSHING, Control Arm Front, Upper
	52038025	2	U						Front, Upper

CHEROKEE (XJ)
 SERIES LINE BODY ENGINE TRANSMISSION
 L = LOWLINE B = JEEP - 2WD (RHD) 72 = 2DR (101.4 WB) ENC = 2.5L 4 Cyl Turbo Diesel DCB = Transmission - 4-Speed Manual,T3340
 U = JEEP - 4WD (RHD) 74 = 4 DR (101.4 WB) EPE = Engine - 2.5L Power Tech I-4 Cyl. DDQ = 5-Speed Manual Transmission
 T = LHD - (2WD) ERH = 4.0L Power Tech I-6 Engine DDX = 5-Speed HD Manual Transmission
 J = JEEP - - LHD (4WD) ENO = Engines - ALL 4/5 CYL Turbo Diesel DGD = 3-Spd. Automatic 30RH Transmission
 ERO = Engines - All 4.0L 6 Cyl Gas DGK = 4-Spd. Automatic 42RE Transmission
 EPO = ENGINES - ALL 2.5L 4 CYL GAS DGS = 4-Speed Automatic AW4 Transmission
 DGT = 4-Spd. Automatic 46RE Transmission
 DGW = TRANSMISSION - 4-SPD. AUTOMATIC,44RE
 DGX = 4-Speed Automatic Transmission
 DGY = No Description Available
 DGZ = Transmission- 4-Spd. Automatic,MT643
 DBB = ALL MANUAL TRANSMISSIONS
 DGO = TRANSMISSIONS - ALL AUTOMATIC

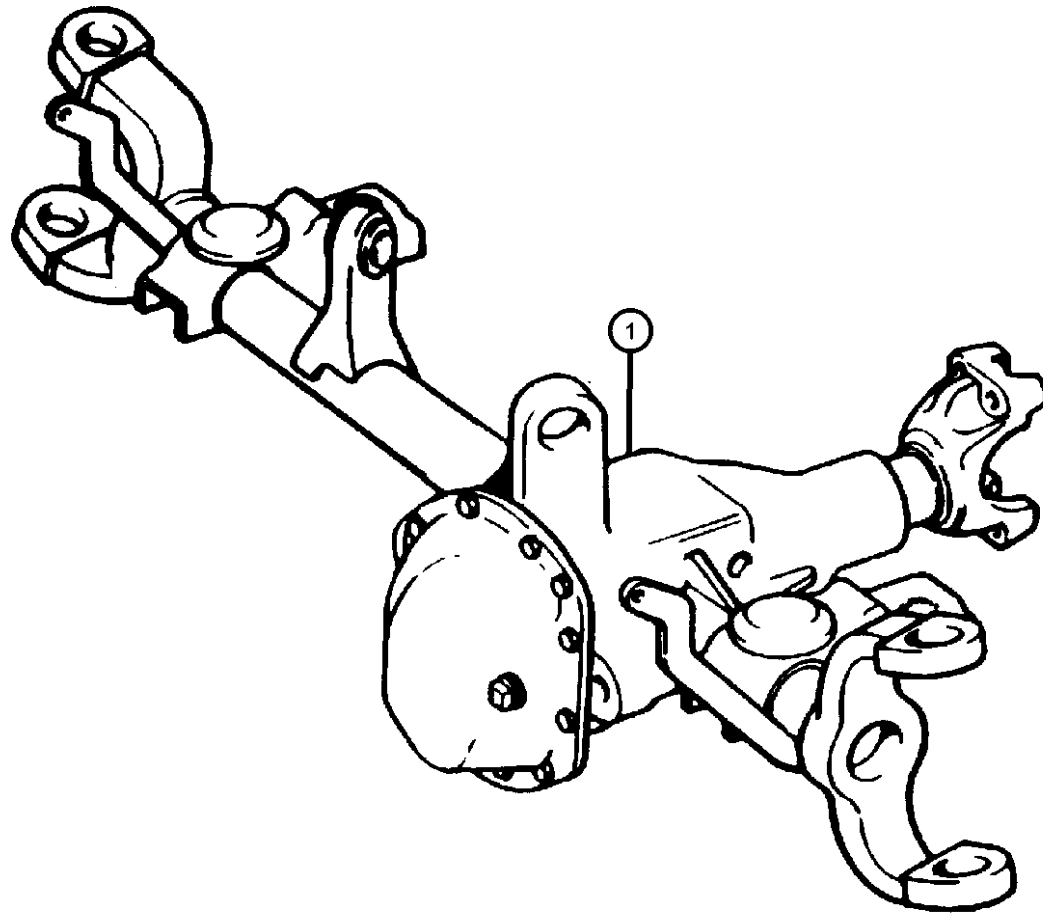
AR = use ase required - = Non illustrated part

Axle Assembly, Front 4 Wheel Drive
Figure 2-410

ITEM	PART NUMBER	QTY	LINE	SERIES	BODY	ENGINE	TRANS	TRIM	DESCRIPTION
------	-------------	-----	------	--------	------	--------	-------	------	-------------

Note: Sales Codes;
 [DMD]=Axle Ratio - 3.55
 [DME]=Axle Ratio - 3.73
 [DMF]=Axle Ratio - 4.10
 [DMM]=Axle Ratio - 3.07
 [ENC]=Engine - 2.5L 4 Cylinder Turbo Diesel
 [EP0]=Engines - All 2.5L 4 Cylinder Gas
 [ER0]=Engines - All 4.0L 6 Cylinder Gas

1



									AXLE, Service Front
	04773428	1	J			EP0, ER0			[DMD] Tag# 52069194AC,52069197AC
	04773453	1	J						[DMM] Tag# 52069193AC,52069198AC
	04773454	1	J						[DMF] Tag# 52069195AC
	04874468								Mopar SAE 80W-90 Gear Lube Quart Bottle
	68003054AA								Mopar SAE 80W-90 Gear Lube 16 Gallon Keg
	04874469								Mopar SAE 75W-140 Synthetic Gear and Axle Lube Quart
	68003055AA								Mopar SAE 75W-140 Synthetic Gear and Axle Lube 16 Gallon Keg
	04773457	1	U						[DMD] Tag# 52069199AC,52069200AC
	04778909	1	J			ENC			[DME] Tag# 52068737AC,52068738AC
	04797780	1	U			ENC			[DME] Tag# 52099300AC,52099301AC
	04798029	1	U						[DMF] Tag# 52069201AC

CHEROKEE (XJ)

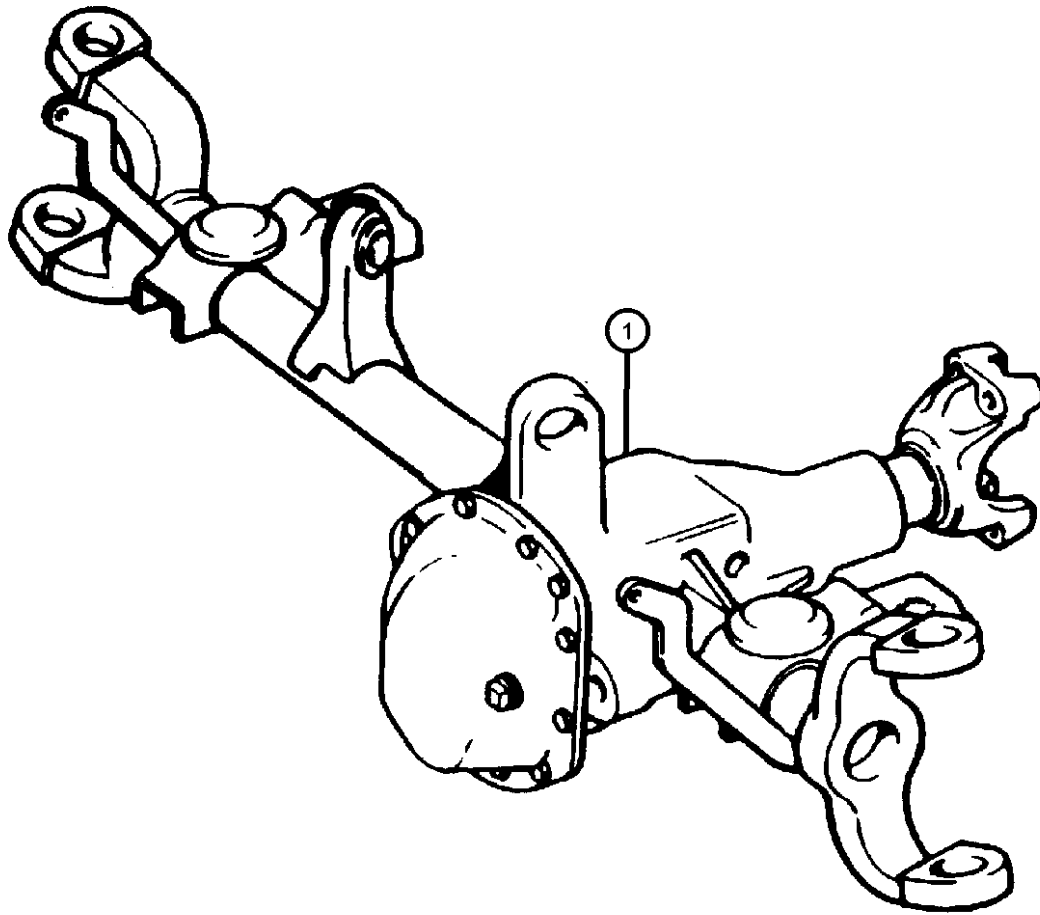
SERIES	LINE	BODY	ENGINE	TRANSMISSION
L = LOWLINE	B = JEEP - 2WD (RHD) U = JEEP - 4WD (RHD) T = LHD - (2WD) J = JEEP - - LHD (4WD)	72 = 2DR (101.4 WB) 74 = 4 DR (101.4 WB)	ENC = 2.5L 4 Cyl Turbo Diesel Engine EPE = Engine - 2.5L Power Tech I-4 Cyl. ERH = 4.0L Power Tech I-6 Engine ENO = Engines - ALL 4/5 CYL Turbo Diesel ERO = Engines - All 4.0L 6 Cyl Gas EP0 = ENGINES - ALL 2.5L 4 CYL GAS	DCB = Transmission - 4-Speed Manual,T3340 DDQ = 5-Speed Manual Transmission DDX = 5-Speed HD Manual Transmission DGD = 3-Spd. Automatic 30RH Transmission DGK = 4-Spd. Automatic 42RE Transmission DGS = 4-Speed Automatic AW4 Transmission DGT = 4-Spd. Automatic 46RE Transmission DGW = TRANSMISSION - 4-SPD. AUTOMATIC,44RE DGX = 4-Speed Automatic Transmission DGY = No Description Available DGZ = Transmission- 4-Spd. Automatic,MT643 DBB = ALL MANUAL TRANSMISSIONS DGO = TRANSMISSIONS - ALL AUTOMATIC

AR = use ase required - = Non illustrated part

1998 XJ

**Axle Assembly, Front 4 Wheel Drive
Figure 2-410**

ITEM	PART NUMBER	QTY	LINE	SERIES	BODY	ENGINE	TRANS	TRIM	DESCRIPTION
	04874468								Mopar SAE 80W-90 Gear Lube Quart Bottle
	68003054AA								Mopar SAE 80W-90 Gear Lube 16 Gallon Keg
	04874469								Mopar SAE 75W-140 Synthetic Gear and Axle Lube Quart
	68003055AA								Mopar SAE 75W-140 Synthetic Gear and Axle Lube 16 Gallon Keg



CHEROKEE (XJ)

SERIES	LINE
L = LOWLINE	B = JEEP - 2WD (RHD) U = JEEP - 4WD (RHD) T = LHD - (2WD) J = JEEP - - LHD (4WD)

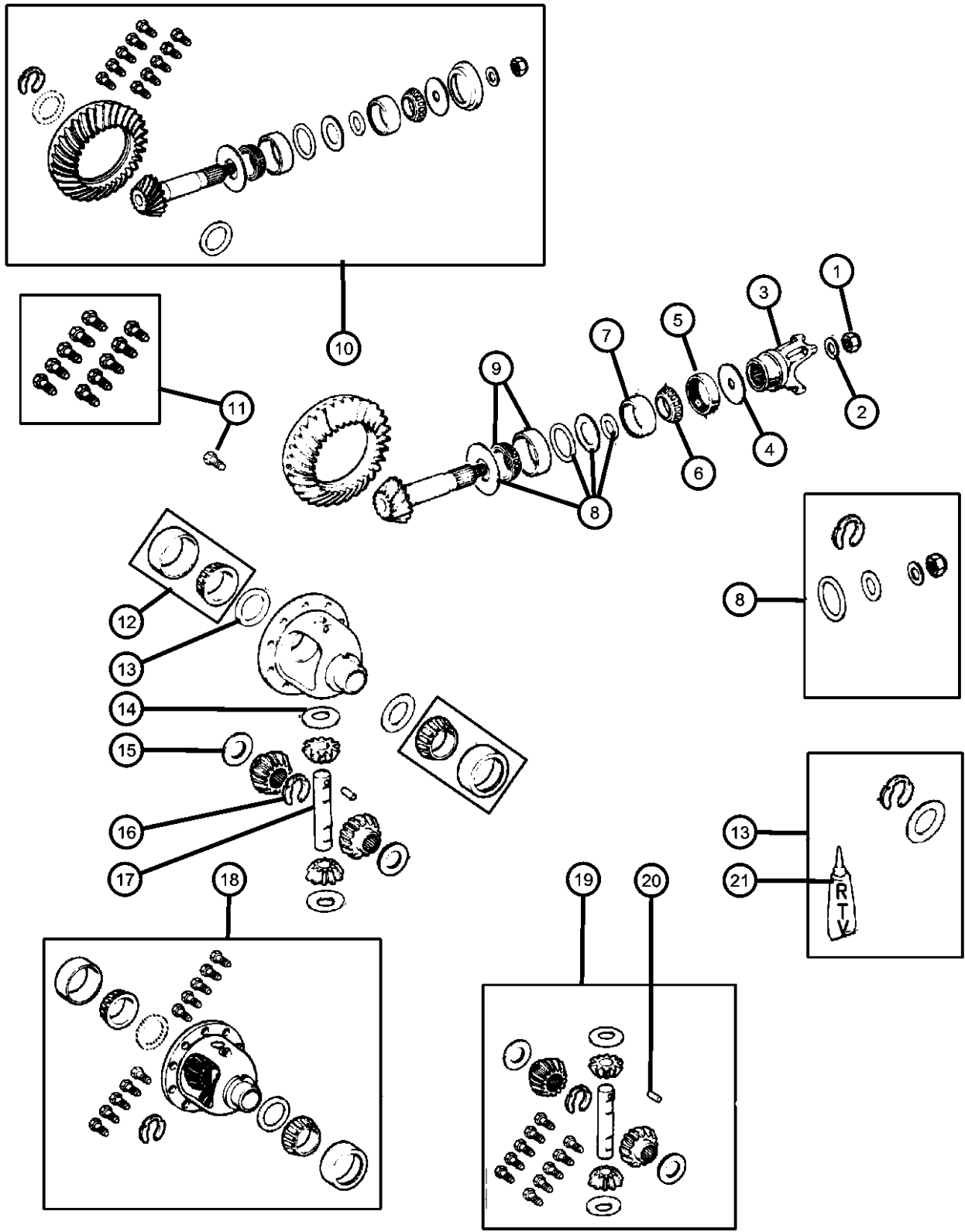
BODY
72 = 2DR (101.4 WB) 74 = 4 DR (101.4 WB)

ENGINE	TRANSMISSION
ENC = 2.5L 4 Cyl Turbo Diesel Engine	DCB = Transmission - 4-Speed Manual,T3340
EPE = Engine - 2.5L Power Tech I-4 Cyl.	DDQ = 5-Speed Manual Transmission
ERH = 4.0L Power Tech I-6 Engine	DDX = 5-Speed HD Manual Transmission
ENO = Engines - ALL 4/5 CYL Turbo Diesel	DGD = 3-Spd. Automatic 30RH Transmission
ERO = Engines - All 4.0L 6 Cyl Gas	DGK = 4-Spd. Automatic 42RE Transmission
EPO = ENGINES - ALL 2.5L 4 CYL GAS	DGS = 4-Speed Automatic AW4 Transmission
	DGT = 4-Spd. Automatic 46RE Transmission
	DGW = TRANSMISSION - 4-SPD. AUTOMATIC,44RE
	DGX = 4-Speed Automatic Transmission
	DGY = No Description Available
	DGZ = Transmission- 4-Spd. Automatic,MT643
	DBB = ALL MANUAL TRANSMISSIONS
	DG0 = TRANSMISSIONS - ALL AUTOMATIC

AR = use ase required - = Non illustrated part

1998 XJ

Differential,Front Axle
Figure 2-610

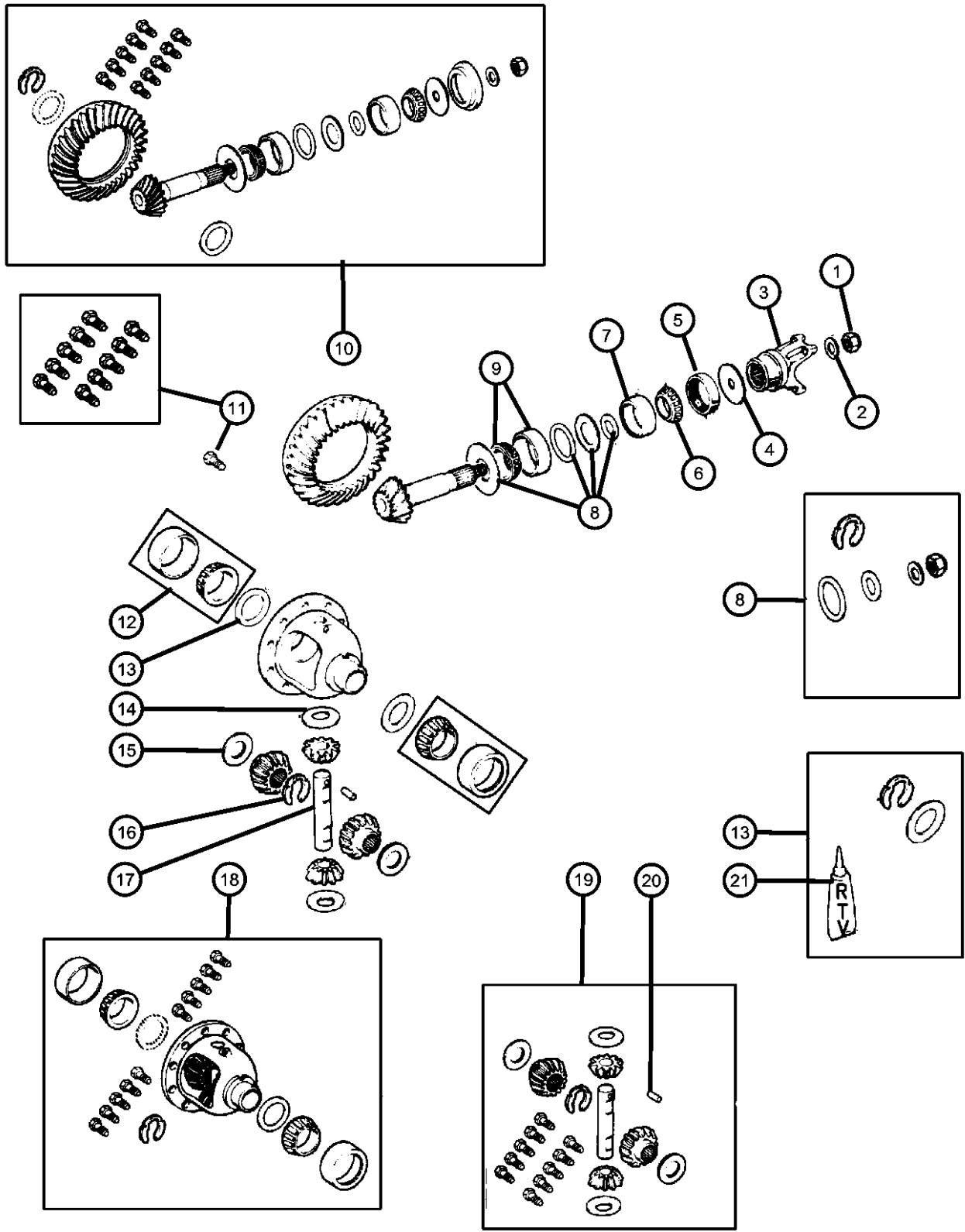


ITEM	PART NUMBER	QTY	LINE	SERIES	BODY	ENGINE	TRANS	TRIM	DESCRIPTION
7		1	J						Front CUP, Pinion Bearing
	J0052879	1	U						Front
8		1	J						Front SHIM KIT, Pinion Shaft
	83500192	1	J						
		1	U						
9		1	J						BEARING, Drive Pinion
	J8126499	1	J						Bearing and Cup, Rear
		1	U						Bearing and Cup, Rear
10		1	J			ENC			GEAR KIT, Ring And Pinion
	04746074	1	J			ENC			[DME]
		1	U			ENC			[DME]
	83500187	1	J						[DMM]
	83502353	1	J						[DMF]
		1	U						[DMF]
	83505480	1	J			EP0, ER0			[DMD]
		1	U						[DMD]
11		10	U						SCREW, Drive Gear
	05252503	10	J						
12		10	J						BEARING, Differential

CHEROKEE (XJ)
 SERIES LINE BODY ENGINE TRANSMISSION
 L = LOWLINE B = JEEP - 2WD (RHD) 72 = 2DR (101.4 WB) ENC = 2.5L 4 Cyl Turbo Diesel DCB = Transmission - 4-Speed Manual,T3340
 U = JEEP - 4WD (RHD) 74 = 4 DR (101.4 WB) EPE = Engine - 2.5L Power Tech I-4 Cyl. DDQ = 5-Speed Manual Transmission
 T = LHD - (2WD) ERH = 4.0L Power Tech I-6 Engine DDX = 5-Speed HD Manual Transmission
 J = JEEP - - LHD (4WD) ENO = Engines - ALL 4/5 CYL Turbo Diesel DGD = 3-Spd. Automatic 30RH Transmission
 ERO = Engines - All 4.0L 6 Cyl Gas DGK = 4-Spd. Automatic 42RE Transmission
 EP0 = ENGINES - ALL 2.5L 4 CYL GAS DGS = 4-Speed Automatic AW4 Transmission
 DGT = 4-Spd. Automatic 46RE Transmission
 DGW = TRANSMISSION - 4-SPD. AUTOMATIC,44RE
 DGX = 4-Speed Automatic Transmission
 DGY = No Description Available
 DGZ = Transmission- 4-Spd. Automatic,MT643
 DBB = ALL MANUAL TRANSMISSIONS
 DGO = TRANSMISSIONS - ALL AUTOMATIC

AR = use ase required - = Non illustrated part

Differential,Front Axle
Figure 2-610



ITEM	PART NUMBER	QTY	LINE	SERIES	BODY	ENGINE	TRANS	TRIM	DESCRIPTION
	J8126500	1	J						Consists of 2 Bearings and 2 Cups
		1	U						Consists of 2 Bearings and 2 Cups
13									SHIM KIT, Differential
	83500191	1	J						
		1	U						
14									WASHER, Pinion Gear
	J8120831	2	U						Thrust
		2	J						Thrust
15									WASHER, Side Gear
	J8133724	2	U						Thrust
		2	J						Thrust
16									SNAP RING, Front Axle Shaft
	04137739	2	U						
		1	J						
17									SHAFT, Differential
	05003840AA	1	U						Pinion
		1	J						Pinion
18									CASE, Differential
	05252582	1	J						[DMM,DMD]
		1	U						[DMD]
	05252590	1	J						[DME,DMF]

CHEROKEE (XJ)

SERIES LINE
 L = LOWLINE B = JEEP - 2WD (RHD)
 U = JEEP - 4WD (RHD)
 T = LHD - (2WD)
 J = JEEP - - LHD (4WD)

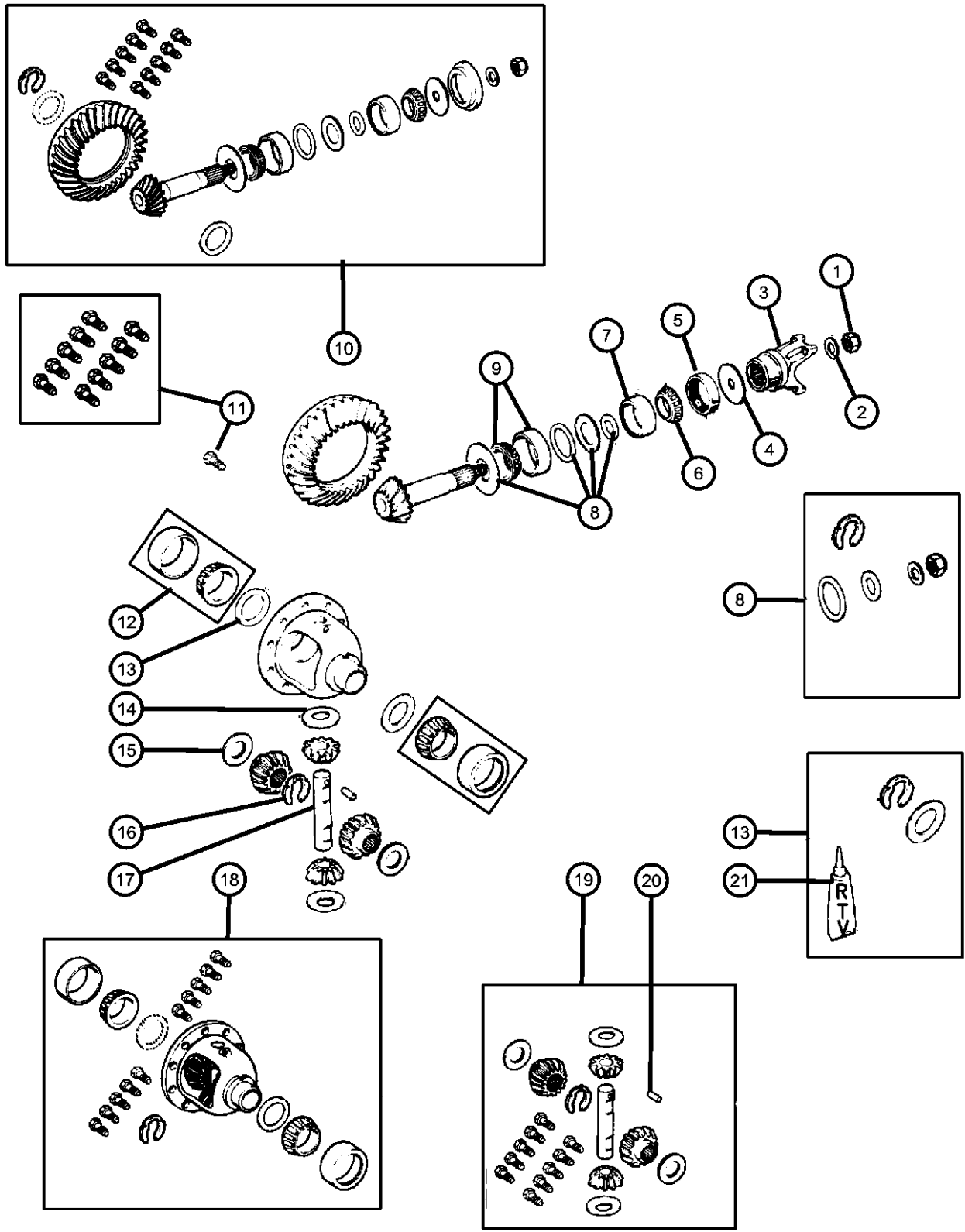
BODY
 72 = 2DR (101.4 WB)
 74 = 4 DR (101.4 WB)

ENGINE TRANSMISSION
 ENC = 2.5L 4 Cyl Turbo Diesel Engine DCB = Transmission - 4-Speed Manual,T3340
 EPE = Engine - 2.5L Power Tech I-4 Cyl. DDQ = 5-Speed Manual Transmission
 ERH = 4.0L Power Tech I-6 Engine DDG = 5-Speed HD Manual Transmission
 ENO = Engines - ALL 4/5 CYL Turbo Diesel DGD = 3-Spd. Automatic 30RH Transmission
 ERO = Engines - All 4.0L 6 Cyl Gas DGK = 4-Spd. Automatic 42RE Transmission
 EP0 = ENGINES - ALL 2.5L 4 CYL GAS DGS = 4-Speed Automatic AW4 Transmission
 DGT = 4-Spd. Automatic 46RE Transmission
 DGW = TRANSMISSION - 4-SPD. AUTOMATIC,44RE
 DGX = 4-Speed Automatic Transmission
 DGY = No Description Available
 DGZ = Transmission- 4-Spd. Automatic,MT643
 DBB = ALL MANUAL TRANSMISSIONS
 DG0 = TRANSMISSIONS - ALL AUTOMATIC

AR = use ase required - = Non illustrated part

Differential,Front Axle

Figure 2-610



ITEM	PART NUMBER	QTY	LINE	SERIES	BODY	ENGINE	TRANS	TRIM	DESCRIPTION
19		1	U						[DME,DMF]
	05252591	1	J						GEAR KIT, Center Differential
20		1	U						PIN, Differential Shaft
	01791563	1	U						
21		1	J						SEALANT, RTV
	05010884AA	1	J						
		1	U						

CHEROKEE (XJ)

SERIES LINE
 L = LOWLINE B = JEEP - 2WD (RHD)
 U = JEEP - 4WD (RHD)
 T = LHD - (2WD)
 J = JEEP - - LHD (4WD)

BODY
 72 = 2DR (101.4 WB)
 74 = 4 DR (101.4 WB)

ENGINE TRANSMISSION
 ENC = 2.5L 4 Cyl Turbo Diesel Engine
 EPE = Engine - 2.5L Power Tech I-4 Cyl.
 ERH = 4.0L Power Tech I-6 Engine
 ENO = Engines - ALL 4/5 CYL Turbo Diesel
 ERO = Engines - All 4.0L 6 Cyl Gas
 EPO = ENGINES - ALL 2.5L 4 CYL GAS
 DCB = Transmission - 4-Speed Manual,T3340
 DDQ = 5-Speed Manual Transmission
 DDX = 5-Speed HD Manual Transmission
 DGD = 3-Spd. Automatic 30RH Transmission
 DGK = 4-Spd. Automatic 42RE Transmission
 DGS = 4-Speed Automatic AW4 Transmission
 DGT = 4-Spd. Automatic 46RE Transmission
 DGW = TRANSMISSION - 4-SPD. AUTOMATIC,44RE
 DGX = 4-Speed Automatic Transmission
 DGY = No Description Available
 DGZ = Transmission- 4-Spd. Automatic,MT643
 DBB = ALL MANUAL TRANSMISSIONS
 DG0 = TRANSMISSIONS - ALL AUTOMATIC

AR = use ase required - = Non illustrated part

Group - 3

Rear Axle

Group - 3 Rear Axle

Group-Fig. No.

Illustration Title

Rear Axle

Axle Assembly,Rear,Corporate Model 8.25 [DRA].....	Fig. 3 - 110
Axle Assembly,Rear,Dana Model 35 [DRJ,DRM].....	Fig. 3 - 120

Differential and Housing

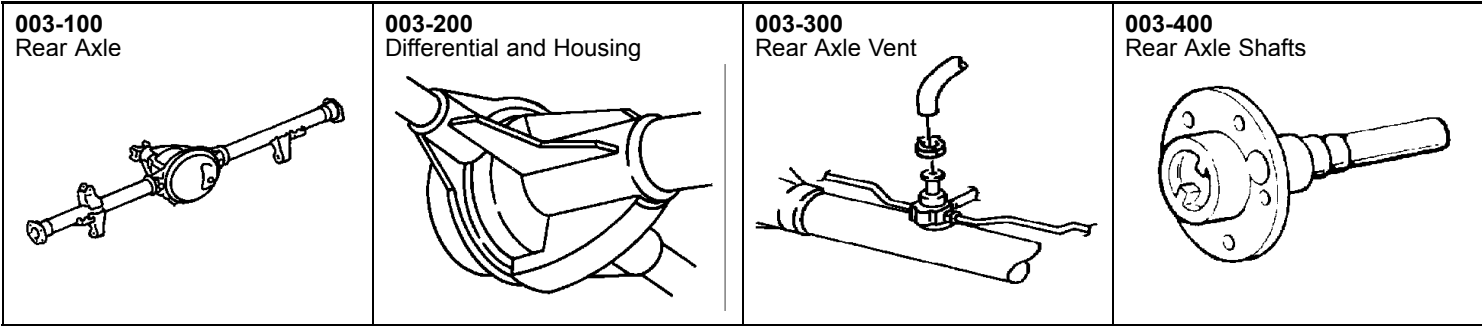
Differential and Housing,Chrysler Model 8.25 [DRA].....	Fig. 3 - 210
Housing,Rear Axle,Dana 35 [DRJ,DRM].....	Fig. 3 - 220
Differential,Without Trac-Loc,Dana 35 [DRJ,DRM].....	Fig. 3 - 230
Differential,With Trac-Lok,Dana 35 [DRJ,DRM].....	Fig. 3 - 240

Rear Axle Vent

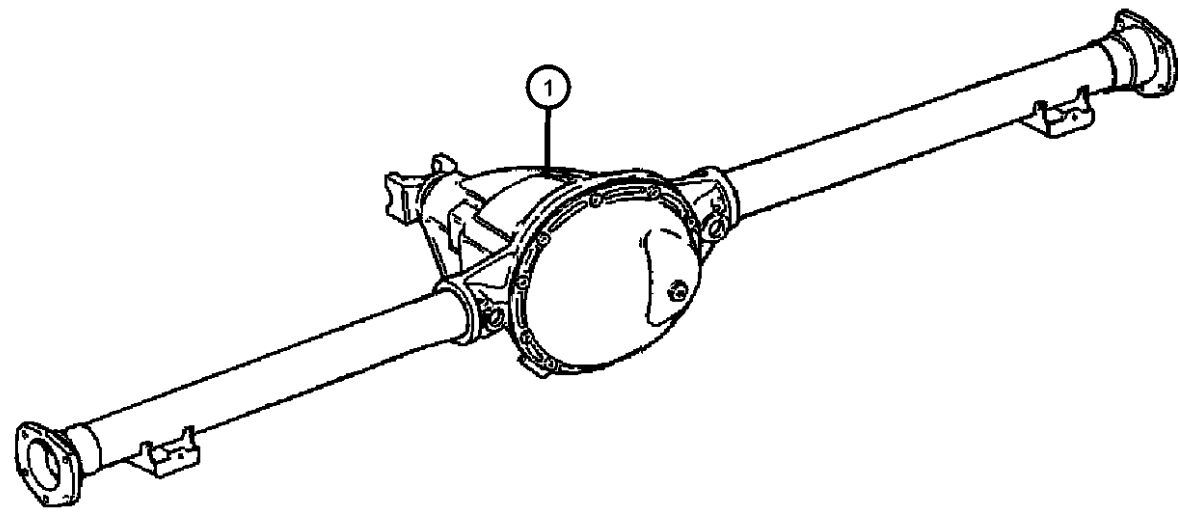
Vent,Axle.....	Fig. 3 - 310
----------------	--------------

Rear Axle Shafts

Shaft, Rear Axle;Dana Model 35 [DRJ,DRM].....	Fig. 3 - 410
---	--------------



**Axle Assembly,Rear,Corporate Model 8.25 [DRA]
Figure 3-110**



ITEM	PART NUMBER	QTY	LINE	SERIES	BODY	ENGINE	TRANS	TRIM	DESCRIPTION
1									AXLE, Service Rear
	04886133AA	1							[DMD,BGA,DSA] Tag 52098717AC
	04874468								Mopar SAE 80W-90 Gear Lube Quart Bottle
	68003054AA								Mopar SAE 80W-90 Gear Lube 16 Gallon Keg
	04874469								Mopar SAE 75W-140 Synthetic Gear and Axle Lube Quart
	68003055AA								Mopar SAE 75W-140 Synthetic Gear and Axle Lube 16 Gallon Keg
	04886138AA	1							[DMD,BGA] Tag 52098716AC
	04874468								Mopar SAE 80W-90 Gear Lube Quart Bottle
	68003054AA								Mopar SAE 80W-90 Gear Lube 16 Gallon Keg
	04874469								Mopar SAE 75W-140 Synthetic Gear and Axle Lube Quart
	68003055AA								Mopar SAE 75W-140 Synthetic Gear and Axle Lube 16 Gallon Keg
	04886139AA	1							[DMM,BGA] Tag 52098715AB
	04886140AA	1							[DMM,BGA,DSA] Tag 52099380AB
	04886145AA	1							[DMF,BGA,DSA] Tag 52099381AB
	04886148AA	1							[DMF,BGA] Tag 52098718AB

CHEROKEE (XJ)

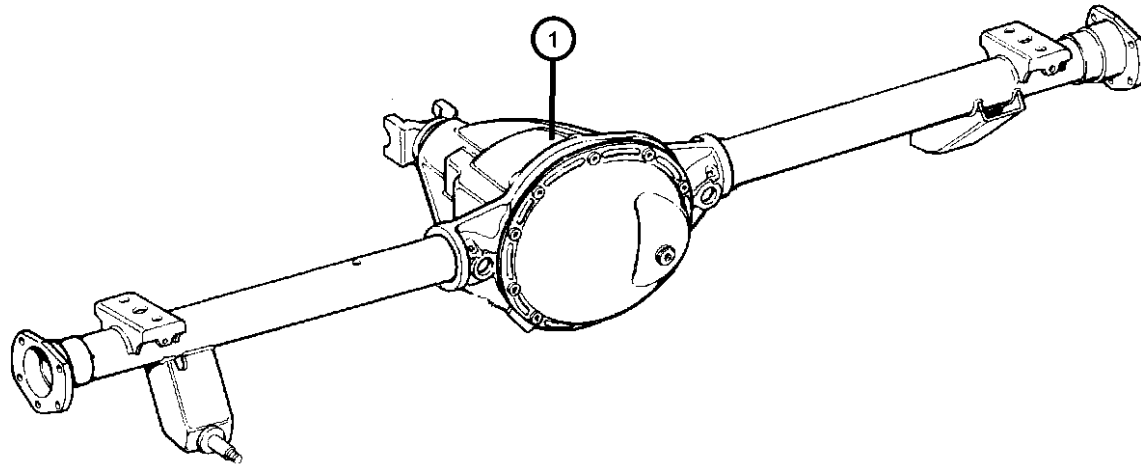
SERIES	LINE	BODY	ENGINE	TRANSMISSION
L = LOWLINE	B = JEEP - 2WD (RHD) U = JEEP - 4WD (RHD) T = LHD - (2WD) J = JEEP - - LHD (4WD)	72 = 2DR (101.4 WB) 74 = 4 DR (101.4 WB)	ENC = 2.5L 4 Cyl Turbo Diesel Engine EPE = Engine - 2.5L Power Tech I-4 Cyl. ERH = 4.0L Power Tech I-6 Engine ENO = Engines - ALL 4/5 CYL Turbo Diesel ERO = Engines - All 4.0L 6 Cyl Gas EPO = ENGINES - ALL 2.5L 4 CYL GAS	DCB = Transmission - 4-Speed Manual,T3340 DDQ = 5-Speed Manual Transmission DDX = 5-Speed HD Manual Transmission DGD = 3-Spd. Automatic 30RH Transmission DGK = 4-Spd. Automatic 42RE Transmission DGS = 4-Speed Automatic AW4 Transmission DGT = 4-Spd. Automatic 46RE Transmission DGW = TRANSMISSION - 4-SPD. AUTOMATIC,44RE DGX = 4-Speed Automatic Transmission DGY = No Description Available DGZ = Transmission- 4-Spd. Automatic,MT643 DBB = ALL MANUAL TRANSMISSIONS DGO = TRANSMISSIONS - ALL AUTOMATIC

AR = use ase required - = Non illustrated part

**Axle Assembly,Rear,Dana Model 35 [DRJ,DRM]
Figure 3-120**

ITEM	PART NUMBER	QTY	LINE	SERIES	BODY	ENGINE	TRANS	TRIM	DESCRIPTION
------	-------------	-----	------	--------	------	--------	-------	------	-------------

Note: Sales Codes;
 [AHB]=Police Group
 [BGA]= Brakes - Power Front Disc/Rear Drum
 [BGK]= Brakes - 4-Wheel Anti-Lock
 [DMD]=Axle Ratio - 3.55
 [DME]=Axle Ratio - 3.73
 [DMM]=Axle Ratio - 3.07
 [DRJ]=Axle - Rear,Dana M35/194MM
 [DRM]= Axle - Rear,Dana 35C/194MM
 [DSA]=Axle - Anti-Spin Differential



1									AXLE, Service Rear
	04797553	1							[DRM,DMD,BGK] With Tag# 52099473AB
	04797571	1							[DRM,DMD,BGK,DSA,AHB] With Tag# 52099458AB
		1							[DRM,DMD,BGK,DSA] With Tag# 52099457AB
	04798093	1							[DRM,DME,BGA,DSA] With Tag# 52099468AB
	04856491	1							[DRM,DME,BGA] With Tag# 52099467AB
	04874468								Mopar SAE 80W-90 Gear Lube Quart Bottle
	68003054AA								Mopar SAE 80W-90 Gear Lube 16 Gallon Keg
	04874469								Mopar SAE 75W-140 Synthetic Gear and Axle Lube Quart
	68003055AA								Mopar SAE 75W-140 Synthetic Gear and Axle Lube 16 Gallon Keg
	04882527	1							[DRJ,DMM,BGK,DSA] With Tag# 52099459AB

CHEROKEE (XJ)

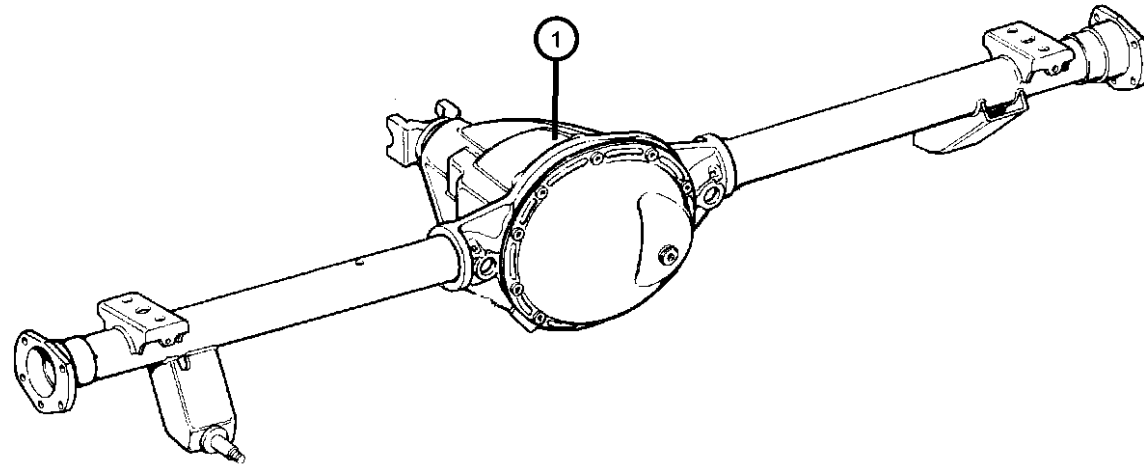
SERIES	LINE	BODY	ENGINE	TRANSMISSION
L = LOWLINE	B = JEEP - 2WD (RHD) U = JEEP - 4WD (RHD) T = LHD - (2WD) J = JEEP - - LHD (4WD)	72 = 2DR (101.4 WB) 74 = 4 DR (101.4 WB)	ENC = 2.5L 4 Cyl Turbo Diesel Engine EPE = Engine - 2.5L Power Tech I-4 Cyl. ERH = 4.0L Power Tech I-6 Engine ENO = Engines - ALL 4/5 CYL Turbo Diesel ERO = Engines - All 4.0L 6 Cyl Gas EPO = ENGINES - ALL 2.5L 4 CYL GAS	DCB = Transmission - 4-Speed Manual,T3340 DDQ = 5-Speed Manual Transmission DDX = 5-Speed HD Manual Transmission DGD = 3-Spd. Automatic 30RH Transmission DGK = 4-Spd. Automatic 42RE Transmission DGS = 4-Speed Automatic AW4 Transmission DGT = 4-Spd. Automatic 46RE Transmission DGW = TRANSMISSION - 4-SPD. AUTOMATIC,44RE DGX = 4-Speed Automatic Transmission DGY = No Description Available DGZ = Transmission- 4-Spd. Automatic,MT643 DBB = ALL MANUAL TRANSMISSIONS DGO = TRANSMISSIONS - ALL AUTOMATIC

AR = use ase required - = Non illustrated part

1998 XJ

**Axle Assembly,Rear,Dana Model 35 [DRJ,DRM]
Figure 3-120**

ITEM	PART NUMBER	QTY	LINE	SERIES	BODY	ENGINE	TRANS	TRIM	DESCRIPTION
	04874468								Mopar SAE 80W-90 Gear Lube Quart Bottle
	68003054AA								Mopar SAE 80W-90 Gear Lube 16 Gallon Keg
	04874469								Mopar SAE 75W-140 Synthetic Gear and Axle Lube Quart
	68003055AA								Mopar SAE 75W-140 Synthetic Gear and Axle Lube 16 Gallon Keg
	04882529	1							[DRJ,DMM,BGK] With Tag# 52099474AB
	04882560	1							[DRM,DME,BGK,DSA] With Tag# 52099460AB
	05011690AA	1							[DRM,DMD,BGA,DSA] With Tag# 52111770AA
	05011693AA	1							[DRJ,DMM,BGA,DSA] With Tag# 52111769AA



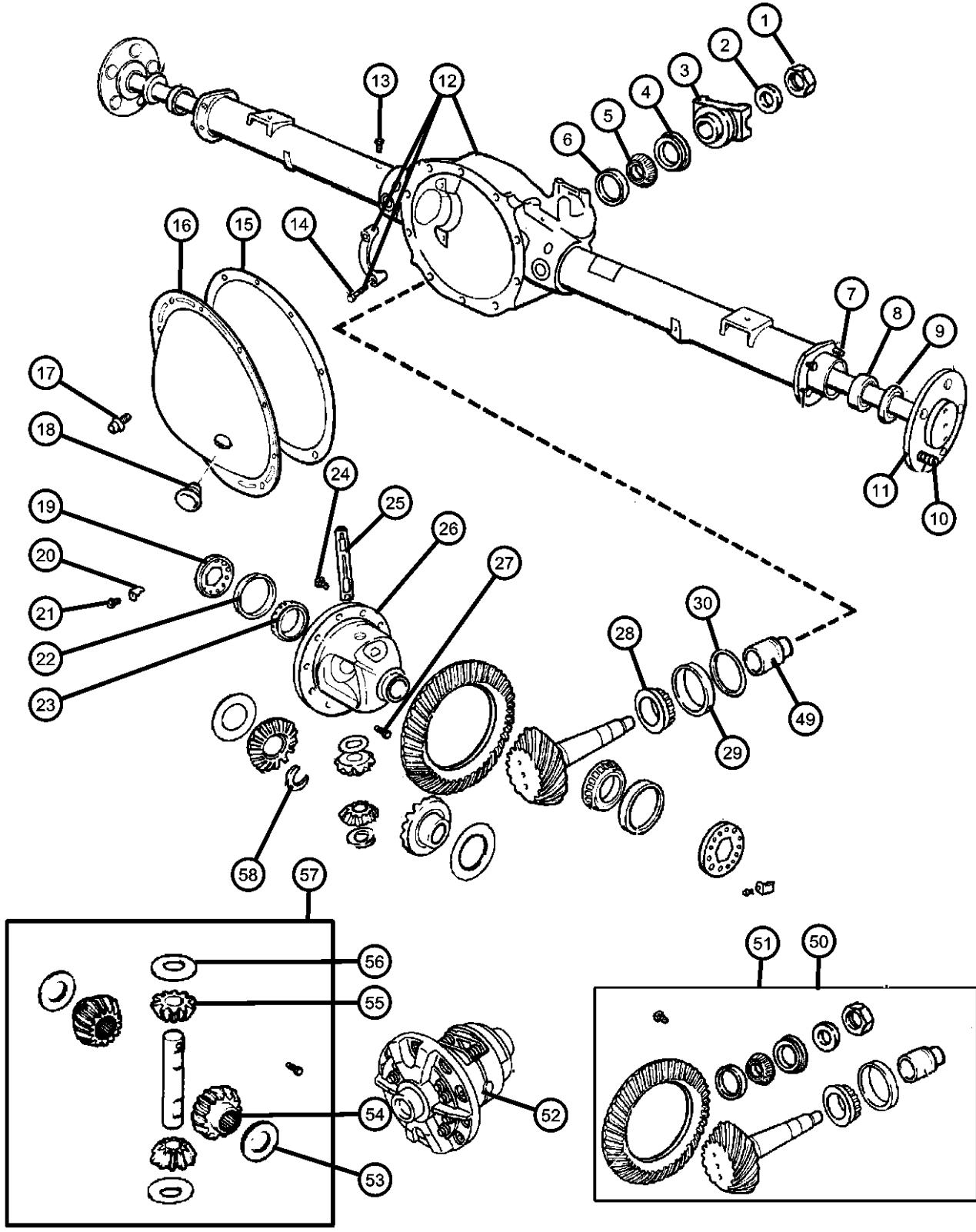
CHEROKEE (XJ)

SERIES	LINE	BODY	ENGINE	TRANSMISSION
L = LOWLINE	B = JEEP - 2WD (RHD) U = JEEP - 4WD (RHD) T = LHD - (2WD) J = JEEP - - LHD (4WD)	72 = 2DR (101.4 WB) 74 = 4 DR (101.4 WB)	ENC = 2.5L 4 Cyl Turbo Diesel Engine EPE = Engine - 2.5L Power Tech I-4 Cyl. ERH = 4.0L Power Tech I-6 Engine ENO = Engines - ALL 4/5 CYL Turbo Diesel ERO = Engines - All 4.0L 6 Cyl Gas EPO = ENGINES - ALL 2.5L 4 CYL GAS	DCB = Transmission - 4-Speed Manual,T3340 DDQ = 5-Speed Manual Transmission DDX = 5-Speed HD Manual Transmission DGD = 3-Spd. Automatic 30RH Transmission DGK = 4-Spd. Automatic 42RE Transmission DGS = 4-Speed Automatic AW4 Transmission DGT = 4-Spd. Automatic 46RE Transmission DGW = TRANSMISSION - 4-SPD. AUTOMATIC,44RE DGX = 4-Speed Automatic Transmission DGY = No Description Available DGZ = Transmission- 4-Spd. Automatic,MT643 DBB = ALL MANUAL TRANSMISSIONS DGO = TRANSMISSIONS - ALL AUTOMATIC

AR = use ase required - = Non illustrated part

1998 XJ

Differential and Housing, Chrysler Model 8.25 [DRA]
Figure 3-210



ITEM	PART NUMBER	QTY	LINE	SERIES	BODY	ENGINE	TRANS	TRIM	DESCRIPTION
------	-------------	-----	------	--------	------	--------	-------	------	-------------

Note: Sales Codes;
[DMM]= Axle Ratio - 3.07
[DMD]=Axle Ratio - 3.55
[DMF]=Axle Ratio - 4.10
[DRA] =Axle - Rear, Corporate 8.25
[DSA] =Axle - Trac-Lok Differential

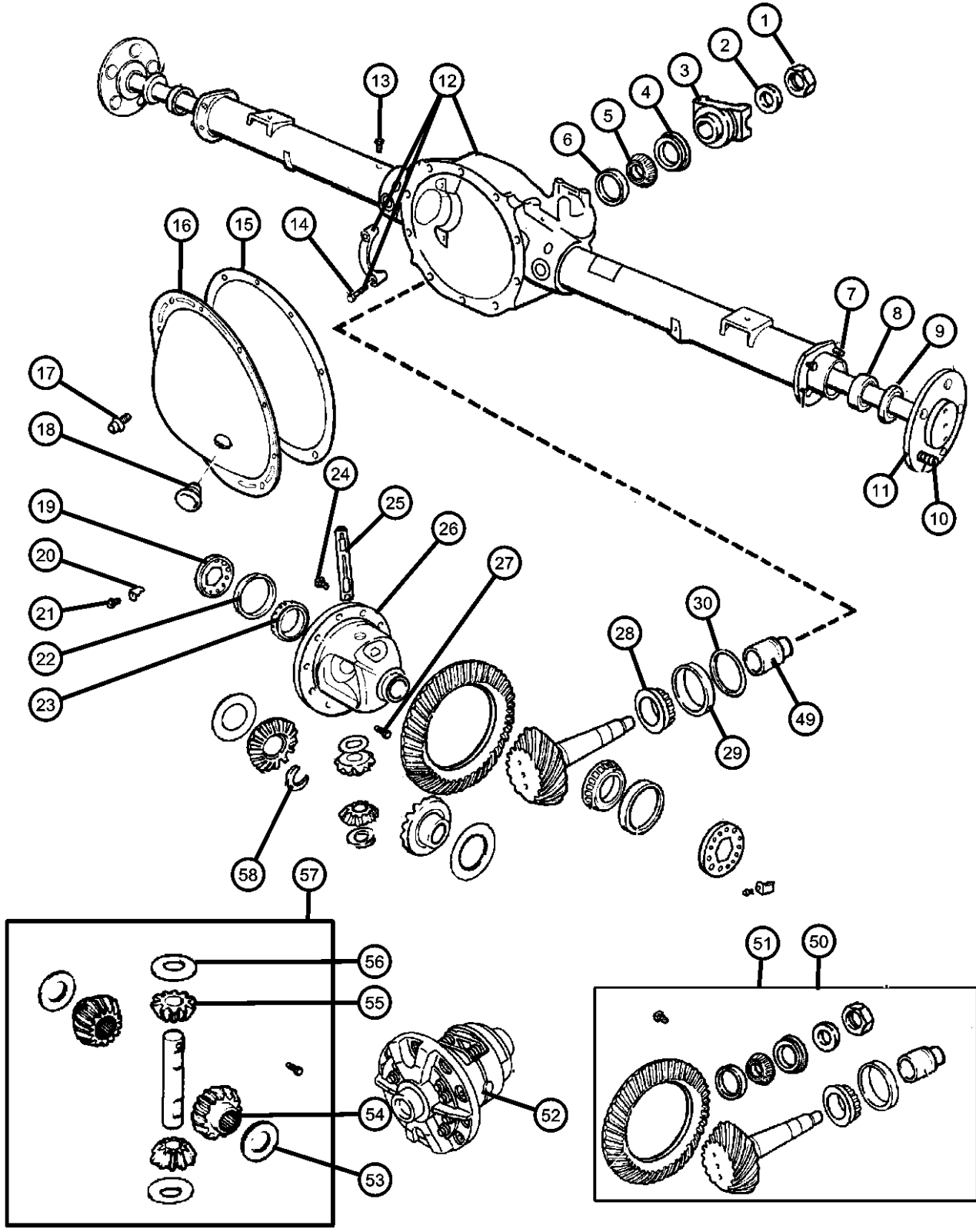
1	06028041	1							NUT, Pinion Yoke
2	02070117	1							WASHER, Pinion Yoke
3	52068839	1							YOKE, Axle
4	52067595	1							SEAL, Drive Pinion
5	02070316	1							BEARING, Drive PinionFront
6	02070317	1							CUP, Pinion BearingFront
7	03723668	8							STUD, Axle Housing to Backing Plate, Mounting
8	03507898AB	2							BEARING, Wheel
9	04137426	2							SEAL, Axle Drive Shaft
10	53008135	10							STUD, Hub
11	52098902	2							SHAFT, Axle
12									HOUSING, Axle
	04886134AA	1							[DMM]
	05011249AA	1							[DMD,DMF]
13	52067508	1							BOLT, Axle Vent
14	03432695	4							SCREW, Hex Head, .50-13x2.38, Carrier Bearing Cap, Mounting
15	05010884AA	1							SEALANT, RTV
16	03723681AC	1							COVER, Differential

CHEROKEE (XJ)

SERIES	LINE	BODY	ENGINE	TRANSMISSION
L = LOWLINE	B = JEEP - 2WD (RHD) U = JEEP - 4WD (RHD) T = LHD - (2WD) J = JEEP - - LHD (4WD)	72 = 2DR (101.4 WB) 74 = 4 DR (101.4 WB)	ENC = 2.5L 4 Cyl Turbo Diesel Engine EPE = Engine - 2.5L Power Tech I-4 Cyl. ERH = 4.0L Power Tech I-6 Engine ENO = Engines - ALL 4/5 CYL Turbo Diesel ERO = Engines - All 4.0L 6 Cyl Gas EPO = ENGINES - ALL 2.5L 4 CYL GAS	DCB = Transmission - 4-Speed Manual, T3340 DDQ = 5-Speed Manual Transmission DDX = 5-Speed HD Manual Transmission DGD = 3-Spd. Automatic 30RH Transmission DGK = 4-Spd. Automatic 42RE Transmission DGS = 4-Speed Automatic AW4 Transmission DGT = 4-Spd. Automatic 46RE Transmission DGW = TRANSMISSION - 4-SPD. AUTOMATIC, 44RE DGX = 4-Speed Automatic Transmission DGY = No Description Available DGZ = Transmission- 4-Spd. Automatic, MT643 DBB = ALL MANUAL TRANSMISSIONS DGO = TRANSMISSIONS - ALL AUTOMATIC

AR = use ase required - = Non illustrated part

Differential and Housing, Chrysler Model 8.25 [DRA]
Figure 3-210



ITEM	PART NUMBER	QTY	LINE	SERIES	BODY	ENGINE	TRANS	TRIM	DESCRIPTION
-35	03723525	AR							SHIM, Drive Pinion Bearing, .025
-36	03723526	AR							SHIM, Drive Pinion Bearing, .026
-37	03723527	AR							SHIM, Drive Pinion Bearing, .027
-38	03723528	AR							SHIM, Drive Pinion Bearing, .028
-39	03723529	AR							SHIM, Drive Pinion Bearing, .029
-40	03723530	AR							SHIM, Drive Pinion Bearing, .030
-41	03723531	AR							SHIM, Drive Pinion Bearing, .031
-42	03723532	AR							SHIM, Drive Pinion Bearing, .032
-43	03723533	AR							SHIM, Drive Pinion Bearing, .033
-44	03723534	AR							SHIM, Drive Pinion Bearing, .034
-45	03723535	AR							SHIM, Drive Pinion Bearing, .035
-46	03723536	AR							SHIM, Drive Pinion Bearing, .036
-47	03723537	AR							SHIM, Drive Pinion Bearing, .037
-48	03723538	AR							SHIM, Drive Pinion Bearing, .038
49	03507575	1							SPACER, Drive Pinion Bearing, Crush
50	04856540AC	1							GEAR KIT, Ring And Pinion, [DMD] Includes Items 1,2,5,6,24,28,29,43
51									GEAR PACKAGE, Ring And Pinion [DMF] Includes Items 1,2,5,6,24,28,29,43 [DMM] Includes Items 1,2,24,43
	04720973	1							
	04728707	1							
52	52098778	1							CASE, Differential, With [DSA]

CHEROKEE (XJ)

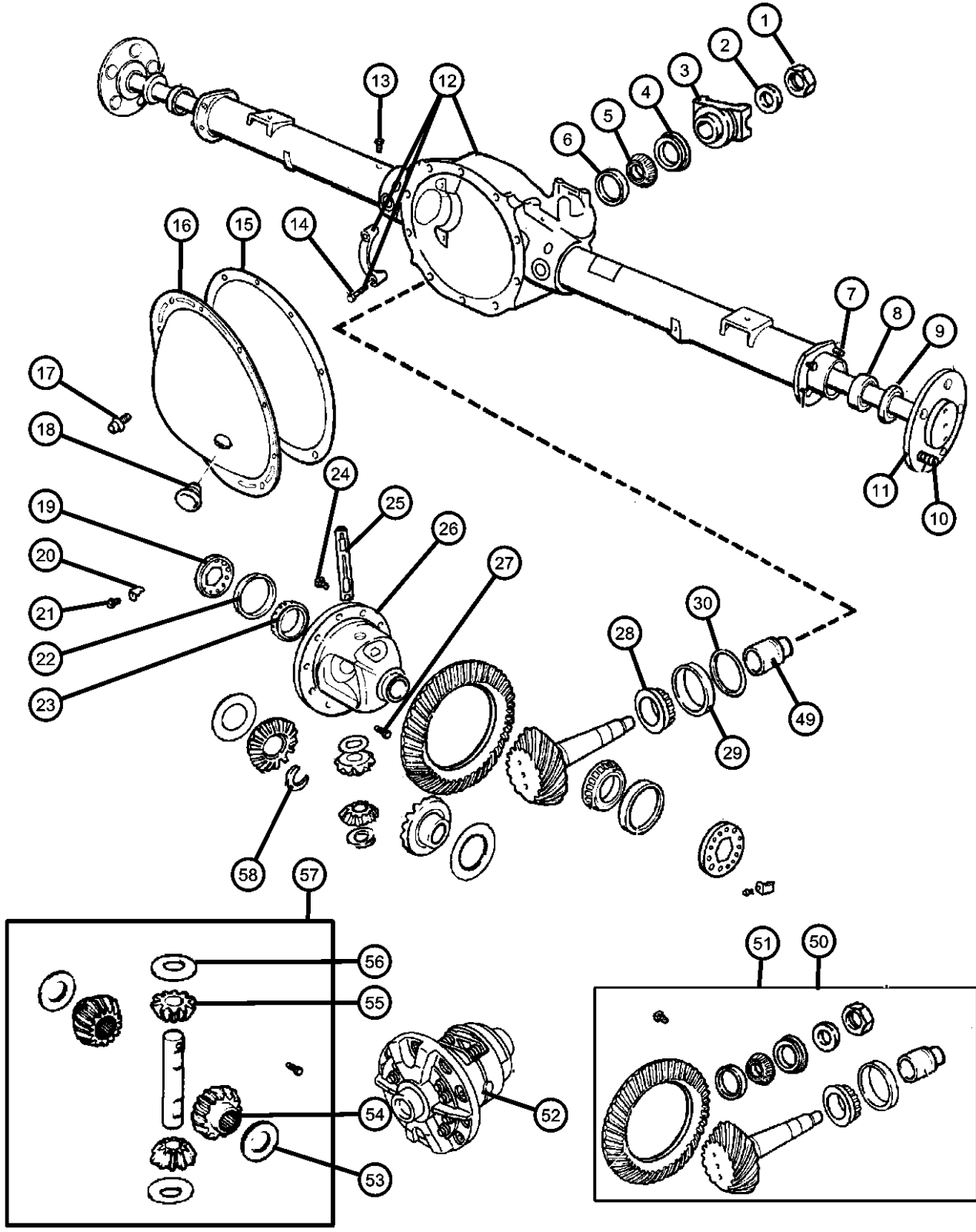
SERIES LINE
 L = LOWLINE B = JEEP - 2WD (RHD)
 U = JEEP - 4WD (RHD)
 T = LHD - (2WD)
 J = JEEP - - LHD (4WD)

BODY
 72 = 2DR (101.4 WB)
 74 = 4 DR (101.4 WB)

ENGINE TRANSMISSION
 ENC = 2.5L 4 Cyl Turbo Diesel Engine DCB = Transmission - 4-Speed Manual, T3340
 EPE = Engine - 2.5L Power Tech I-4 Cyl. DDQ = 5-Speed Manual Transmission
 ERH = 4.0L Power Tech I-6 Engine DDG = 5-Speed HD Manual Transmission
 ENO = Engines - ALL 4/5 CYL Turbo Diesel DGD = 3-Spd. Automatic 30RH Transmission
 ERO = Engines - All 4.0L 6 Cyl Gas DGK = 4-Spd. Automatic 42RE Transmission
 EPO = ENGINES - ALL 2.5L 4 CYL GAS DGS = 4-Speed Automatic AW4 Transmission
 DGT = 4-Spd. Automatic 46RE Transmission
 DGW = TRANSMISSION - 4-SPD. AUTOMATIC, 44RE
 DGX = 4-Speed Automatic Transmission
 DGY = No Description Available
 DGZ = Transmission- 4-Spd. Automatic, MT643
 DBB = ALL MANUAL TRANSMISSIONS
 DGO = TRANSMISSIONS - ALL AUTOMATIC

AR = use ase required - = Non illustrated part

Differential and Housing, Chrysler Model 8.25 [DRA]
Figure 3-210



ITEM	PART NUMBER	QTY	LINE	SERIES	BODY	ENGINE	TRANS	TRIM	DESCRIPTION
53	04883085	1							WASHER PACKAGE, Side Gear Thrust, Also Serviced In Differential Gear Package, Without [DSA]
54	52069429	2							GEAR, Differential, Also Serviced In Differential Gear Package, Without [DSA]
55	52069655	2							PINION, Differential, Also Serviced In Differential Gear Package, Without [DSA]
56	02852912	2							WASHER, Pinion Gear, Also Serviced In Differential Gear Package, Without [DSA], Thrust
57	04883087	1							GEAR PACKAGE, Differential, Without [DSA]
58	52069426	2							RETAINER, Axle Shaft

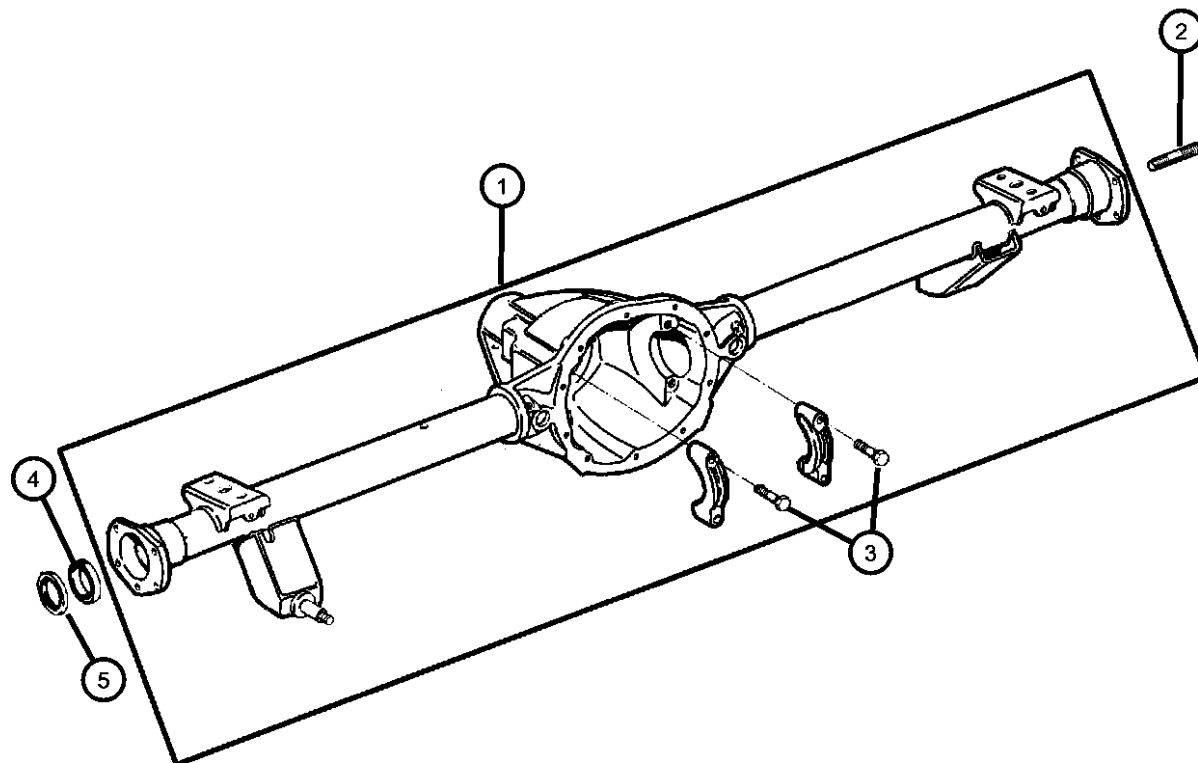
CHEROKEE (XJ)				
SERIES	LINE	BODY	ENGINE	TRANSMISSION
L = LOWLINE	B = JEEP - 2WD (RHD) U = JEEP - 4WD (RHD) T = LHD - (2WD) J = JEEP - - LHD (4WD)	72 = 2DR (101.4 WB) 74 = 4 DR (101.4 WB)	ENC = 2.5L 4 Cyl Turbo Diesel Engine EPE = Engine - 2.5L Power Tech I-4 Cyl. ERH = 4.0L Power Tech I-6 Engine ENO = Engines - ALL 4/5 CYL Turbo Diesel ERO = Engines - All 4.0L 6 Cyl Gas EPO = ENGINES - ALL 2.5L 4 CYL GAS	DCB = Transmission - 4-Speed Manual, T3340 DDQ = 5-Speed Manual Transmission DDX = 5-Speed HD Manual Transmission DGD = 3-Spd. Automatic 30RH Transmission DGK = 4-Spd. Automatic 42RE Transmission DGS = 4-Speed Automatic AW4 Transmission DGT = 4-Spd. Automatic 46RE Transmission DGW = TRANSMISSION - 4-SPD. AUTOMATIC, 44RE DGX = 4-Speed Automatic Transmission DGY = No Description Available DGZ = Transmission- 4-Spd. Automatic, MT643 DBB = ALL MANUAL TRANSMISSIONS DGO = TRANSMISSIONS - ALL AUTOMATIC

AR = use ase required - = Non illustrated part

Housing,Rear Axle,Dana 35 [DRJ,DRM]

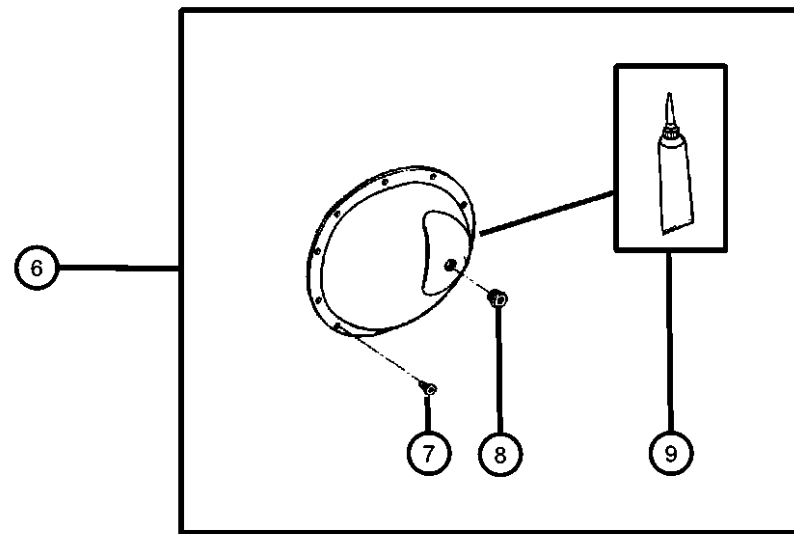
Figure 3-220

ITEM	PART NUMBER	QTY	LINE	SERIES	BODY	ENGINE	TRANS	TRIM	DESCRIPTION
------	-------------	-----	------	--------	------	--------	-------	------	-------------



Note:Sales Codes;
 [DMD]=Axle Ratio - 3.55
 [DME]=Axle Ratio - 3.73
 [DMM]= Axle Ratio - 3.07
 [DRJ]=Axle - Rear,Dana M35/194MM
 [DRM]=Axle - Rear,Dana 35C/194MM

1									HOUSING, Rear Axle
	04636168	1							[DMD]
	04798092	1							[DMM,DME]
2	J0994313	8							STUD, Axle Housing to Backing Plate, Mounting
3	04897482AB	4							BOLT, Differential, Carrier Cap, Mounting
4	J8134586	2							BEARING, Axle Shaft
5	04856336	2							SEAL, Axle Drive Shaft
6	05252493	1							COVER, Differential
7	J4006708	10							SCREW, Pan Head, .312-18x.56, Differential Cover, Mounting
8	05252504	1							PLUG, Differential Cover
9	05010884AA	1							SEALANT, RTV



CHEROKEE (XJ)

SERIES LINE
 L = LOWLINE B = JEEP - 2WD (RHD)
 U = JEEP - 4WD (RHD)
 T = LHD - (2WD)
 J = JEEP - - LHD (4WD)

BODY
 72 = 2DR (101.4 WB)
 74 = 4 DR (101.4 WB)

ENGINE TRANSMISSION
 ENC = 2.5L 4 Cyl Turbo Diesel Engine DCB = Transmission - 4-Speed Manual,T3340
 EPE = Engine - 2.5L Power Tech I-4 Cyl. DDQ = 5-Speed Manual Transmission
 ERH = 4.0L Power Tech I-6 Engine DDG = 5-Speed HD Manual Transmission
 ENO = Engines - ALL 4/5 CYL Turbo Diesel DGD = 3-Spd. Automatic 30RH Transmission
 ERO = Engines - All 4.0L 6 Cyl Gas DGK = 4-Spd. Automatic 42RE Transmission
 EPO = ENGINES - ALL 2.5L 4 CYL GAS DGS = 4-Speed Automatic AW4 Transmission
 DGT = 4-Spd. Automatic 46RE Transmission
 DGW = TRANSMISSION - 4-SPD. AUTOMATIC,44RE
 DGX = 4-Speed Automatic Transmission
 DGY = No Description Available
 DGZ = Transmission- 4-Spd. Automatic,MT643
 DBB = ALL MANUAL TRANSMISSIONS
 DG0 = TRANSMISSIONS - ALL AUTOMATIC

AR = use ase required - = Non illustrated part

1998 XJ

**Differential,Without Trac-Loc,Dana 35 [DRJ,DRM]
Figure 3-230**

ITEM	PART NUMBER	QTY	LINE	SERIES	BODY	ENGINE	TRANS	TRIM	DESCRIPTION
------	-------------	-----	------	--------	------	--------	-------	------	-------------

Note:Sales Codes;
 [DMD]=Axle Ratio - 3.55
 [DME]=Axle Ratio - 3.73
 [DMM]=Axle Ratio - 3.07
 [DRJ]=Axle - Rear,Dana M35/194MM
 [DRM]=Axle - Rear,Dana 35C/194MM

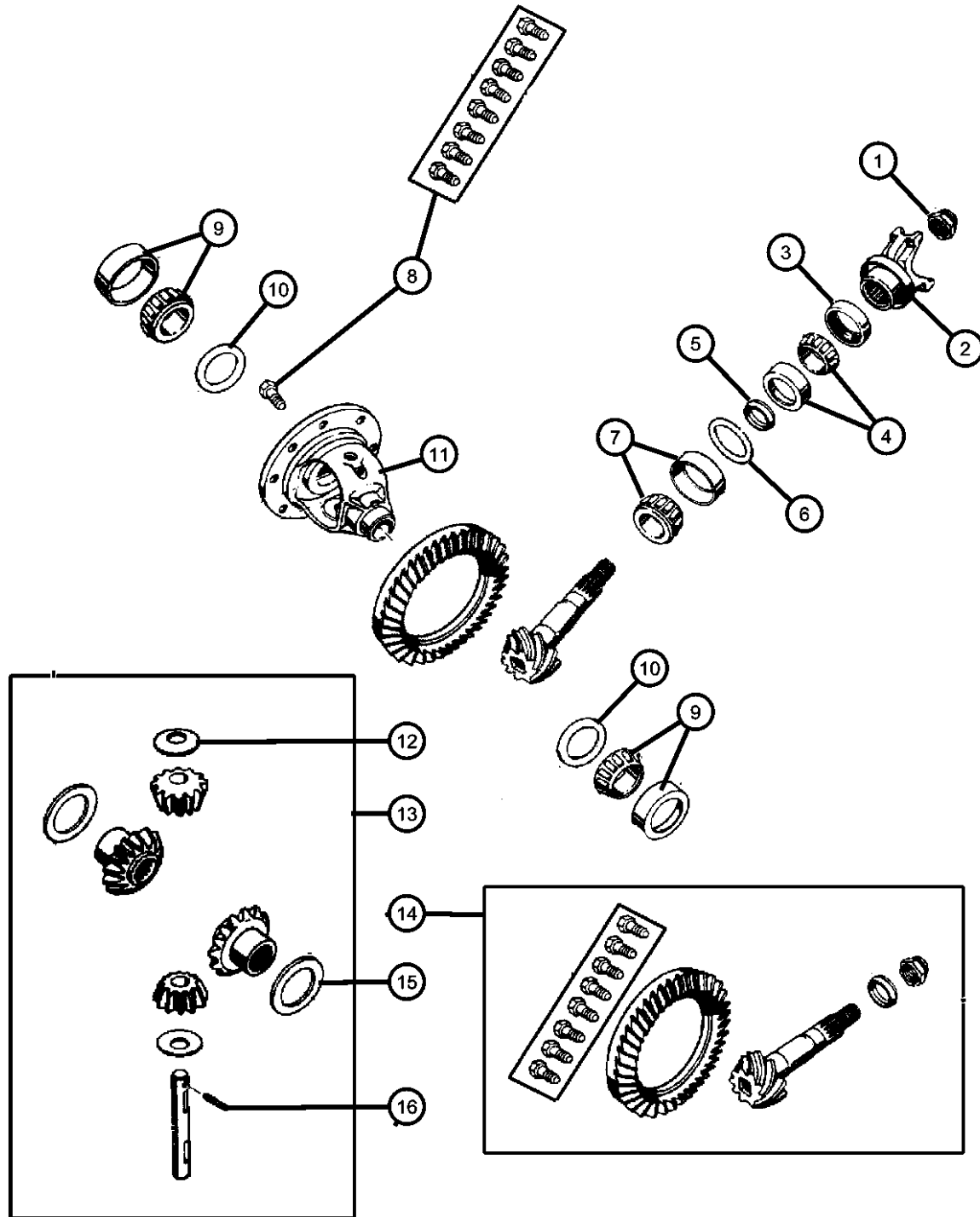
1	04720895	1							NUT, Pinion Yoke, [DME,DMM]
2									YOKE, Axle [DMD]
	04746835	1							
	04797552	1							
3	83504946	1							SEAL, Drive Pinion
4	05252508	1							BEARING, Drive Pinion, Bearing and Cup, Front
5	J3175779	1							SPACER, Drive Pinion Bearing, Crush
6	04720922	1							SHIM KIT, Pinion Shaft
7	05252507	1							BEARING, Drive Pinion, Bearing and Cup, Rear
8	04720891	1							BOLT KIT, Ring Gear, Mounting
9	J8126500	1							BEARING, Differential, Consists of 2 Bearings and 2 Cups
10	83503004	1							SHIM KIT, Differential
11									CASE, Differential
	04740833	1							[DMM]
	04740834	1							[DMD,DME]
12	J8120831	2							WASHER, Pinion GearThrust
13	04740670	1							GEAR KIT, Center Differential

CHEROKEE (XJ)

SERIES LINE
 L = LOWLINE B = JEEP - 2WD (RHD)
 U = JEEP - 4WD (RHD)
 T = LHD - (2WD)
 J = JEEP - - LHD (4WD)

BODY
 72 = 2DR (101.4 WB)
 74 = 4 DR (101.4 WB)

ENGINE TRANSMISSION
 ENC = 2.5L 4 Cyl Turbo Diesel Engine DCB = Transmission - 4-Speed Manual,T3340
 EPE = Engine - 2.5L Power Tech I-4 Cyl. DDQ = 5-Speed Manual Transmission
 ERH = 4.0L Power Tech I-6 Engine DDX = 5-Speed HD Manual Transmission
 ENO = Engines - ALL 4/5 CYL Turbo Diesel DGD = 3-Spd. Automatic 30RH Transmission
 ERO = Engines - All 4.0L 6 Cyl Gas DGK = 4-Spd. Automatic 42RE Transmission
 EPO = ENGINES - ALL 2.5L 4 CYL GAS DGS = 4-Speed Automatic AW4 Transmission
 DGT = 4-Spd. Automatic 46RE Transmission
 DGW = TRANSMISSION - 4-SPD. AUTOMATIC,44RE
 DGX = 4-Speed Automatic Transmission
 DGY = No Description Available
 DGZ = Transmission- 4-Spd. Automatic,MT643
 DBB = ALL MANUAL TRANSMISSIONS
 DGO = TRANSMISSIONS - ALL AUTOMATIC

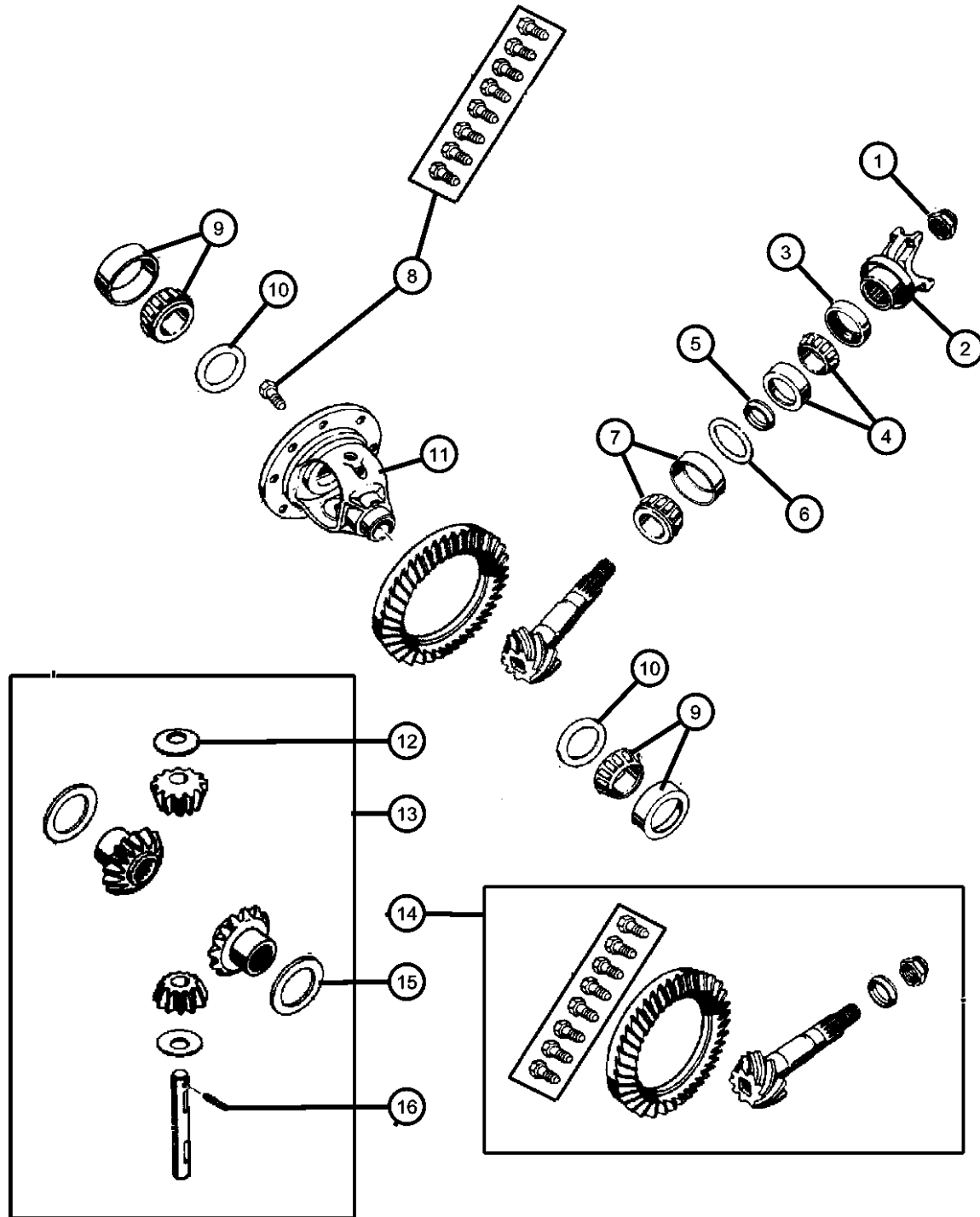


AR = use ase required - = Non illustrated part

1998 XJ

Differential, Without Trac-Loc, Dana 35 [DRJ, DRM]
Figure 3-230

ITEM	PART NUMBER	QTY	LINE	SERIES	BODY	ENGINE	TRANS	TRIM	DESCRIPTION
14	04761676	1							GEAR KIT, Ring And Pinion [DMD]
	04761678	1							[DME]
	83505472	1							[DMM]
15	J8120832	2							WASHER, Side GearThrust
16	05252502	1							PIN, Differential Shaft



CHEROKEE (XJ)

SERIES LINE
L = LOWLINE B = JEEP - 2WD (RHD)
U = JEEP - 4WD (RHD)
T = LHD - (2WD)
J = JEEP - - LHD (4WD)

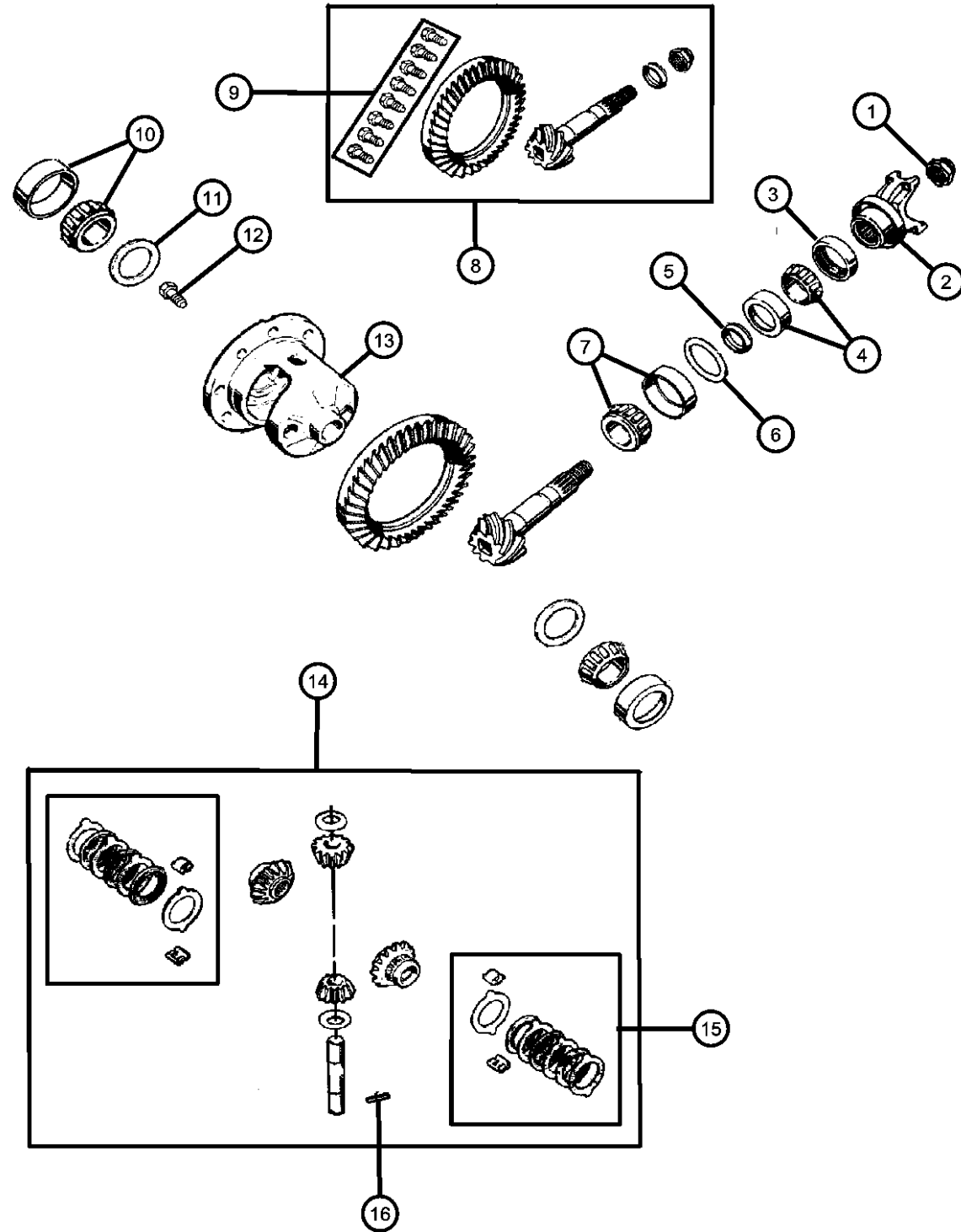
BODY
72 = 2DR (101.4 WB)
74 = 4 DR (101.4 WB)

ENGINE TRANSMISSION
ENC = 2.5L 4 Cyl Turbo Diesel Engine DCB = Transmission - 4-Speed Manual, T3340
EPE = Engine - 2.5L Power Tech I-4 Cyl. DDQ = 5-Speed Manual Transmission
ERH = 4.0L Power Tech I-6 Engine DDX = 5-Speed HD Manual Transmission
ENO = Engines - ALL 4/5 CYL Turbo Diesel DGD = 3-Spd. Automatic 30RH Transmission
ERO = Engines - All 4.0L 6 Cyl Gas DGK = 4-Spd. Automatic 42RE Transmission
EPO = ENGINES - ALL 2.5L 4 CYL GAS DGS = 4-Speed Automatic AW4 Transmission
DGT = 4-Spd. Automatic 46RE Transmission
DGW = TRANSMISSION - 4-SPD. AUTOMATIC, 44RE
DGX = 4-Speed Automatic Transmission
DGY = No Description Available
DGZ = Transmission- 4-Spd. Automatic, MT643
DBB = ALL MANUAL TRANSMISSIONS
DGO = TRANSMISSIONS - ALL AUTOMATIC

AR = use ase required - = Non illustrated part

1998 XJ

Differential,With Trac-Lok,Dana 35 [DRJ,DRM]
Figure 3-240



ITEM	PART NUMBER	QTY	LINE	SERIES	BODY	ENGINE	TRANS	TRIM	DESCRIPTION
Note:Sales Codes;									
[DMD]=Axle Ratio - 3.55									
[DME]=Axle Ratio - 3.73									
[DMM]=Axle Ratio - 3.07									
[DRJ]=Axle - Rear,Dana M35/194MM									
[DRM]=Axle - Rear,Dana 35C/194MM									
[DSA]=Axle - Trac-Lok Differential									
1	04720895	1							NUT, Pinion Yoke
2									YOKE, Axle
	04746835	1							[DMM,DME]
	04797552	1							[DMD]
3	83504946	1							SEAL, Drive Pinion
4	05252508	1							BEARING, Drive Pinion, Bearing and Cup, Front
5	J3175779	1							SPACER, Drive Pinion Bearing
6	04720922	1							SHIM KIT, Pinion Shaft
7	05252507	1							BEARING, Drive Pinion, Bearing and Cup, Rear
8									GEAR KIT, Ring And Pinion
	04761676	1							[DMD]
	04761678	1							[DME]
	83505472	1							[DMM]
9	04720891	1							BOLT KIT, Ring Gear, Mounting
10	J8126500	1							BEARING, Differential
11	83503004	1							SHIM KIT, Differential

CHEROKEE (XJ)

SERIES LINE
L = LOWLINE B = JEEP - 2WD (RHD)
U = JEEP - 4WD (RHD)
T = LHD - (2WD)
J = JEEP - - LHD (4WD)

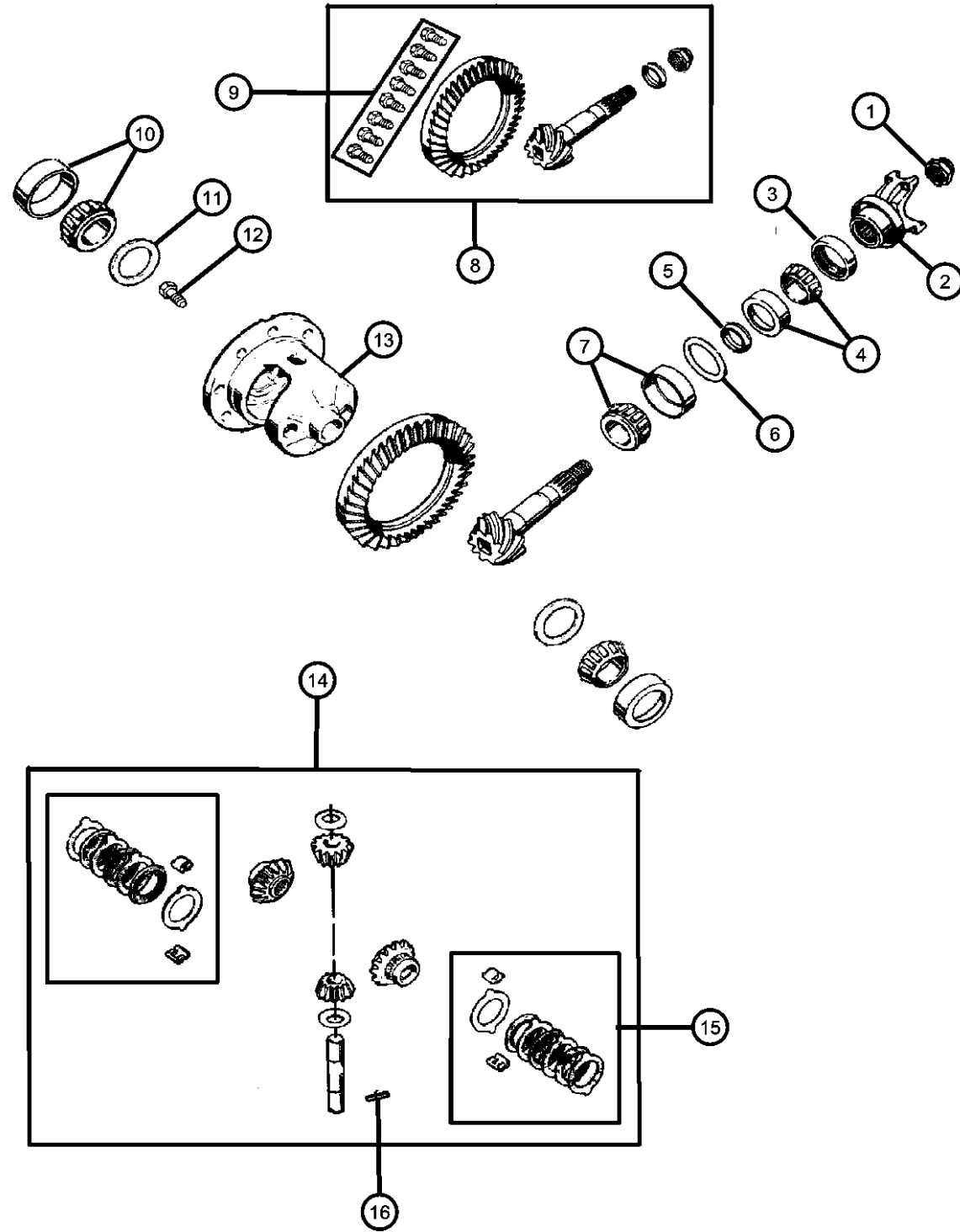
BODY
72 = 2DR (101.4 WB)
74 = 4 DR (101.4 WB)

ENGINE TRANSMISSION
ENC = 2.5L 4 Cyl Turbo Diesel Engine DCB = Transmission - 4-Speed Manual,T3340
EPE = Engine - 2.5L Power Tech I-4 Cyl. DDQ = 5-Speed Manual Transmission
ERH = 4.0L Power Tech I-6 Engine DDG = 5-Speed HD Manual Transmission
ENO = Engines - ALL 4/5 CYL Turbo Diesel DGD = 3-Spd. Automatic 30RH Transmission
ERO = Engines - All 4.0L 6 Cyl Gas DGK = 4-Spd. Automatic 42RE Transmission
EPO = ENGINES - ALL 2.5L 4 CYL GAS DGS = 4-Speed Automatic AW4 Transmission
DGT = 4-Spd. Automatic 46RE Transmission
DGW = TRANSMISSION - 4-SPD. AUTOMATIC,44RE
DGX = 4-Speed Automatic Transmission
DGY = No Description Available
DGZ = Transmission- 4-Spd. Automatic,MT643
DBB = ALL MANUAL TRANSMISSIONS
DGO = TRANSMISSIONS - ALL AUTOMATIC

AR = use ase required - = Non illustrated part

1998 XJ

Differential,With Trac-Lok,Dana 35 [DRJ,DRM]
Figure 3-240



ITEM	PART NUMBER	QTY	LINE	SERIES	BODY	ENGINE	TRANS	TRIM	DESCRIPTION
12	05252503	10							SCREW, Drive Gear, Ring Gear, Mounting
13	05252496	1							CASE, Differential [DMD,DME]
	05252512	1							[DMM]
14	04773010	1							GEAR KIT, Center Differential
15	05252506	1							DISC AND PLATE KIT, Differential
16	05252502	1							PIN, Differential Shaft

CHEROKEE (XJ)

SERIES LINE
L = LOWLINE B = JEEP - 2WD (RHD)
U = JEEP - 4WD (RHD)
T = LHD - (2WD)
J = JEEP - - LHD (4WD)

BODY
72 = 2DR (101.4 WB)
74 = 4 DR (101.4 WB)

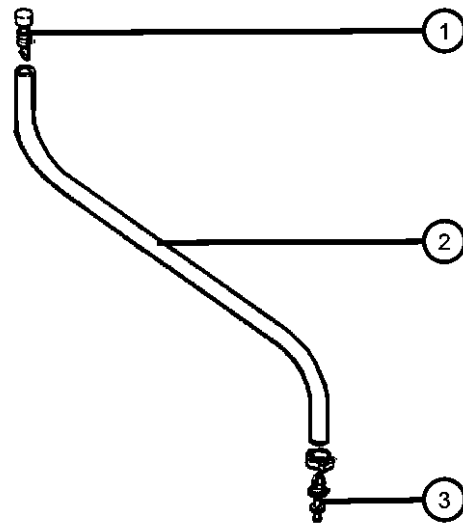
ENGINE TRANSMISSION
ENC = 2.5L 4 Cyl Turbo Diesel Engine DCB = Transmission - 4-Speed Manual,T3340
EPE = Engine - 2.5L Power Tech I-4 Cyl. DDQ = 5-Speed Manual Transmission
ERH = 4.0L Power Tech I-6 Engine DDX = 5-Speed HD Manual Transmission
ENO = Engines - ALL 4/5 CYL Turbo Diesel DGD = 3-Spd. Automatic 30RH Transmission
ERO = Engines - All 4.0L 6 Cyl Gas DGK = 4-Spd. Automatic 42RE Transmission
EPO = ENGINES - ALL 2.5L 4 CYL GAS DGS = 4-Speed Automatic AW4 Transmission
DGT = 4-Spd. Automatic 46RE Transmission
DGW = TRANSMISSION - 4-SPD. AUTOMATIC,44RE
DGX = 4-Speed Automatic Transmission
DGY = No Description Available
DGZ = Transmission- 4-Spd. Automatic,MT643
DBB = ALL MANUAL TRANSMISSIONS
DGO = TRANSMISSIONS - ALL AUTOMATIC

AR = use ase required - = Non illustrated part

1998 XJ

Vent,Axle
Figure 3-310

ITEM	PART NUMBER	QTY	LINE	SERIES	BODY	ENGINE	TRANS	TRIM	DESCRIPTION
1	J3187999	1							VENT, Axle
2	04443176	1							HOSE, Fuel, .31 I.D. 50 Foot Roll
3	52067508	1							BOLT, Axle VentLower



CHEROKEE (XJ)

SERIES

L = LOWLINE

LINE

B = JEEP - 2WD (RHD)
U = JEEP - 4WD (RHD)
T = LHD - (2WD)
J = JEEP - - LHD (4WD)

BODY

72 = 2DR (101.4 WB)
74 = 4 DR (101.4 WB)

ENGINE

ENC = 2.5L 4 Cyl Turbo Diesel Engine
EPE = Engine - 2.5L Power Tech I-4 Cyl.
ERH = 4.0L Power Tech I-6 Engine
ENO = Engines - ALL 4/5 CYL Turbo Diesel
ERO = Engines - All 4.0L 6 Cyl Gas
EPO = ENGINES - ALL 2.5L 4 CYL GAS

TRANSMISSION

DCB = Transmission - 4-Speed Manual,T3340
DDQ = 5-Speed Manual Transmission
DDX = 5-Speed HD Manual Transmission
DGD = 3-Spd. Automatic 30RH Transmission
DGK = 4-Spd. Automatic 42RE Transmission
DGS = 4-Speed Automatic AW4 Transmission
DGT = 4-Spd. Automatic 46RE Transmission
DGW = TRANSMISSION - 4-SPD. AUTOMATIC,44RE
DGX = 4-Speed Automatic Transmission
DGY = No Description Available
DGZ = Transmission- 4-Spd. Automatic,MT643
DBB = ALL MANUAL TRANSMISSIONS
DGO = TRANSMISSIONS - ALL AUTOMATIC

Group - 4

Parking Brake

Group - 4 Parking Brake

Group-Fig. No.

Illustration Title

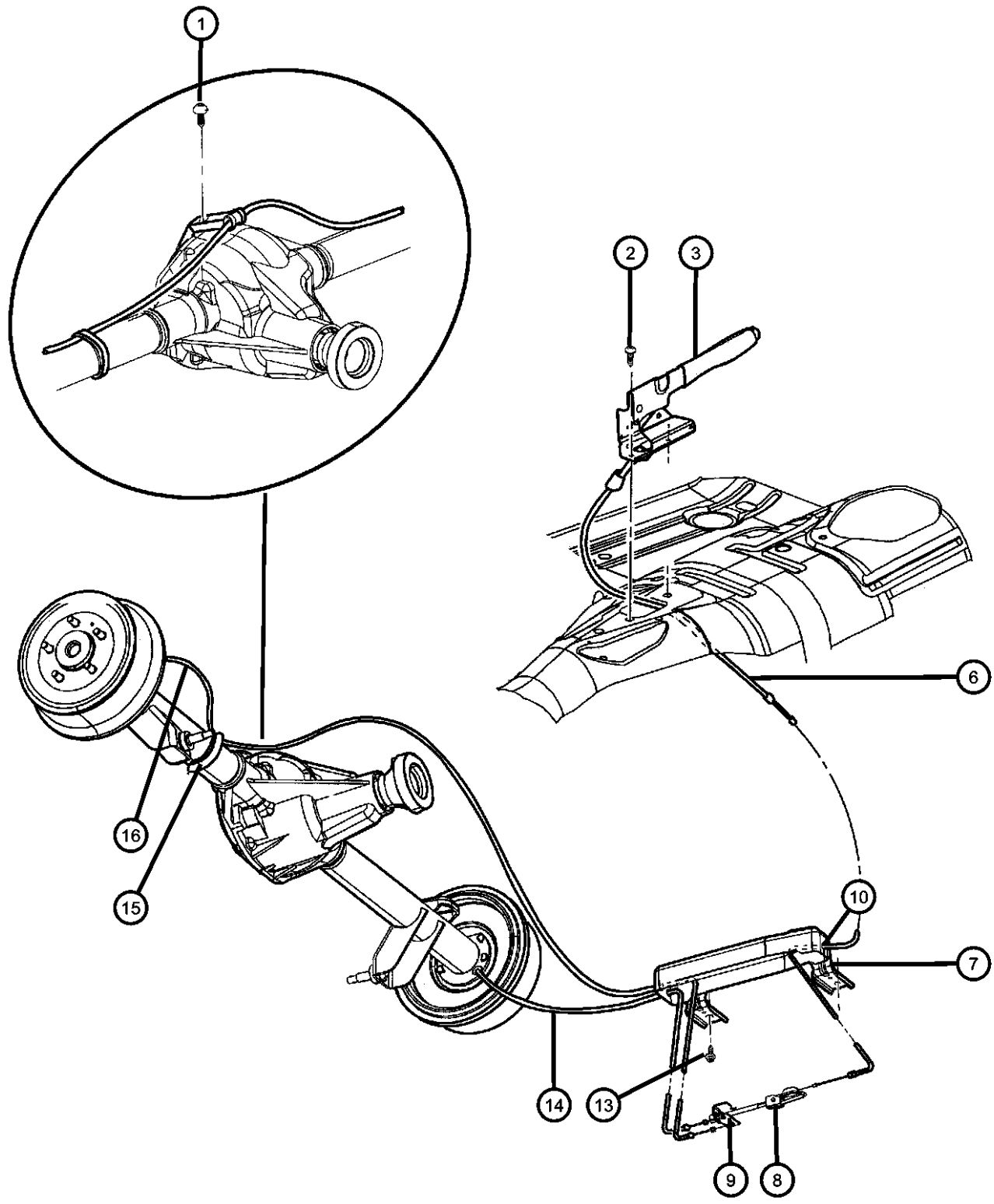
Parking Brake Lever and Cables

Lever Assembly and Cables..... Fig. 4 - 110

004-100 Parking Brake Lever and Cables			
--	--	--	--



Lever Assembly and Cables
Figure 4-110



ITEM	PART NUMBER	QTY	LINE	SERIES	BODY	ENGINE	TRANS	TRIM	DESCRIPTION
1	83503053	10							SCREW AND LOCK WASHER, Hex Head, .25-20x.625, (NOT SERVICED)
2	06101780	3							SCREW, M6x1x25, Park Brake Lever, Mounting
3	52078943	1							LEVER, Park Brake
-4	52127960	1							SWITCH, Parking Brake
-5	52078012	1							CLIP, Parking Brake Cable, Park Brake Lever to Tensioner
6	52128164	1							CABLE, Parking BrakeFront
7	52128172	1							BRACKET, Parking Brake, Park Brake Cable Support
8	52128185	1							ADJUSTER, Parking Brake Cable
9	04423264	1							EQUALIZER, Parking Brake Cable
10	04423735	1							WASHER, Teflon, ID=.380 /OD=.760/THK=.025, Adjusting
-11	00274865	1							SPACER, Parking Brake
-12	06030607	1							NUT, Hex Flange Lock, .312-18
13	06100582	2							BOLT AND CONED WASHER, Hex Head, M8x20x20, Park Brake Cable Support Bracket, Mounting
14	52128073	1							CABLE, Parking BrakeLeft Rear
15	52007800	1							CLIP, Brake Tube
16	52128072AB	1							CABLE, Parking BrakeRight Rear
-17	52128235AA	1							BRACKET, Brake Cable Guide

CHEROKEE (XJ)

SERIES	LINE	BODY	ENGINE	TRANSMISSION
L = LOWLINE	B = JEEP - 2WD (RHD) U = JEEP - 4WD (RHD) T = LHD - (2WD) J = JEEP - - LHD (4WD)	72 = 2DR (101.4 WB) 74 = 4 DR (101.4 WB)	ENC = 2.5L 4 Cyl Turbo Diesel Engine EPE = Engine - 2.5L Power Tech I-4 Cyl. ERH = 4.0L Power Tech I-6 Engine ENO = Engines - ALL 4/5 CYL Turbo Diesel ERO = Engines - All 4.0L 6 Cyl Gas EPO = ENGINES - ALL 2.5L 4 CYL GAS	DCB = Transmission - 4-Speed Manual,T3340 DDQ = 5-Speed Manual Transmission DDX = 5-Speed HD Manual Transmission DGD = 3-Spd. Automatic 30RH Transmission DGK = 4-Spd. Automatic 42RE Transmission DGS = 4-Speed Automatic AW4 Transmission DGT = 4-Spd. Automatic 46RE Transmission DGW = TRANSMISSION - 4-SPD. AUTOMATIC,44RE DGX = 4-Speed Automatic Transmission DGY = No Description Available DGZ = Transmission- 4-Spd. Automatic,MT643 DBB = ALL MANUAL TRANSMISSIONS DGO = TRANSMISSIONS - ALL AUTOMATIC

AR = use ase required - = Non illustrated part

Group - 5

Service Brakes

Group - 5 Service Brakes

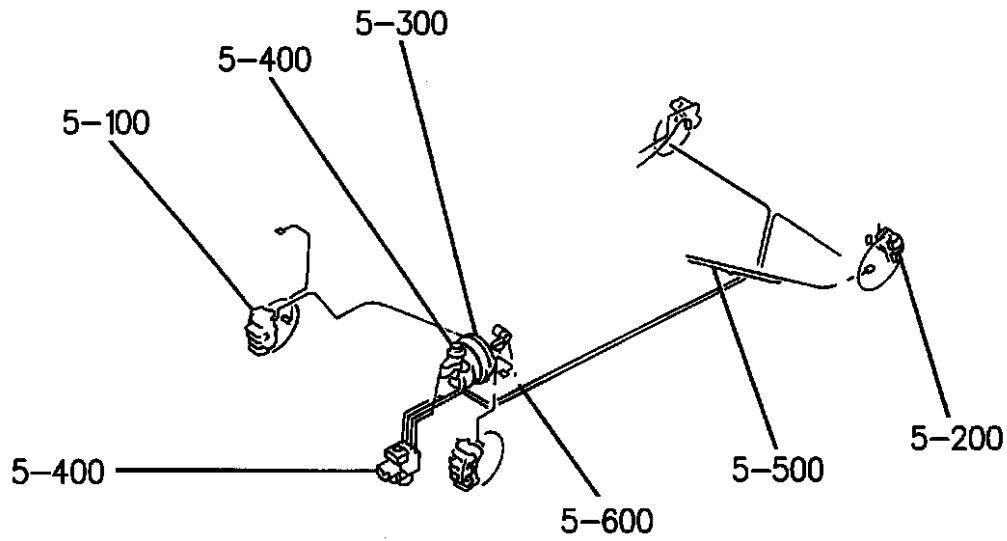


Illustration Title

Group-Fig. No.

Front Brakes

Brakes,Front..... Fig. 5 - 110

Rear Brakes

Brakes,Rear,9 Inches X 2.5 Inches Fig. 5 - 210

Brakes,Rear,10 Inches X 1 3/4 Inches,[AHB] Fig. 5 - 220

Power Brake Booster

Master Cylinder and Booster Fig. 5 - 310

Brake Master Cylinder

Hydraulic Control Unit..... Fig. 5 - 410

Brake Lines and Hoses

Brake Lines,Front,LHD Without Anti-Lock Brakes Fig. 5 - 510

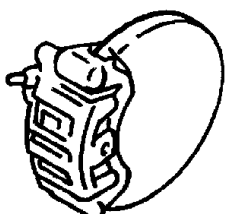
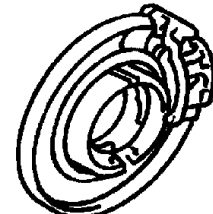
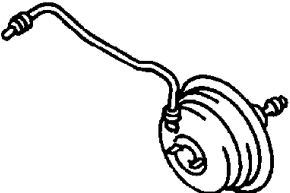
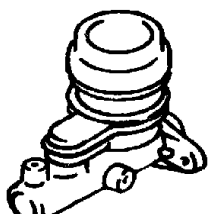
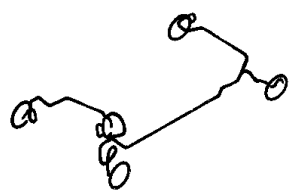

Brake Lines,Front,RHD,Without Anti-Lock Brakes Fig. 5 - 520

Brake Lines,Front,LHD,RHD,With Anti-Lock Brakes Fig. 5 - 530

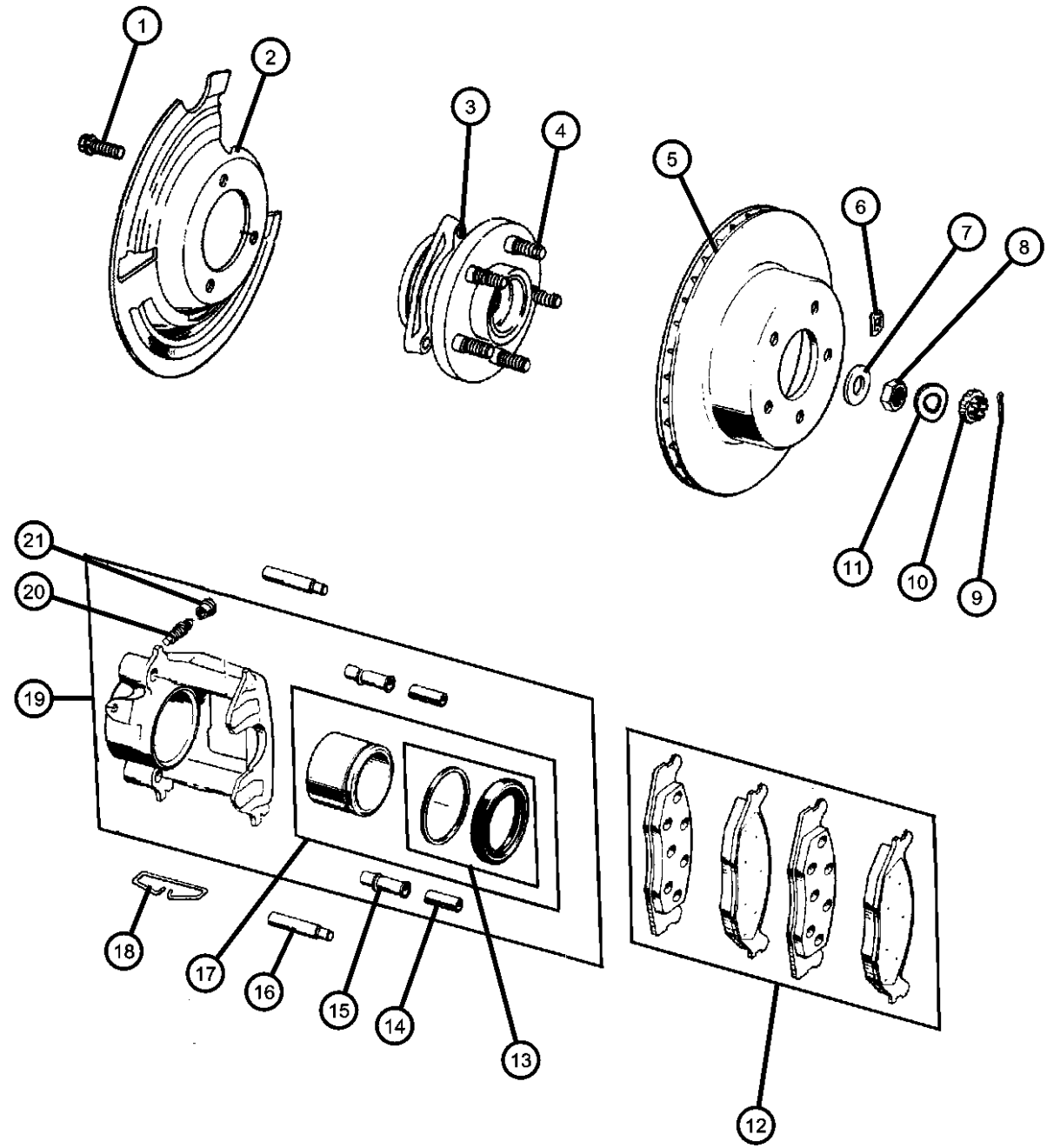
Brake Lines and Hoses,Rear..... Fig. 5 - 540

Brake Pedals

Brake Pedal..... Fig. 5 - 610

<p>005-100 Front Brakes</p> 	<p>005-200 Rear Brakes</p> 	<p>005-300 Power Brake Booster</p> 	<p>005-400 Brake Master Cylinder</p> 
<p>005-500 Brake Lines and Hoses</p> 	<p>005-600 Brake Pedals</p> 		

Brakes,Front
Figure 5-110



ITEM	PART NUMBER	QTY	LINE	SERIES	BODY	ENGINE	TRANS	TRIM	DESCRIPTION
1	34201535	6	U						BOLT Knuckle to Hub and Bearing, Mounting
		6	J						Knuckle to Hub and Bearing, Mounting
		6	T						Knuckle to Hub and Bearing, Mounting
		6	B		74				Knuckle to Hub and Bearing, Mounting
2	52005476	1	U						SHIELD, Brake Right
		1	J						Right
		1	T						Right
		1	B		74				Right
	52005477	1	U						Left
		1	J						Left
		1	T						Left
		1	B		74				Left
3	53007449	2	U						HUB AND BEARING, Brake
		2	J						
		2	T						
		2	B		74				
4	53007463	10	U						STUD, Hub

CHEROKEE (XJ)

SERIES LINE
 L = LOWLINE B = JEEP - 2WD (RHD)
 U = JEEP - 4WD (RHD)
 T = LHD - (2WD)
 J = JEEP - - LHD (4WD)

BODY
 72 = 2DR (101.4 WB)
 74 = 4 DR (101.4 WB)

ENGINE TRANSMISSION
 ENC = 2.5L 4 Cyl Turbo Diesel Engine
 EPE = Engine - 2.5L Power Tech I-4 Cyl.
 ERH = 4.0L Power Tech I-6 Engine
 ENO = Engines - ALL 4/5 CYL Turbo Diesel
 ERO = Engines - All 4.0L 6 Cyl Gas
 EPO = ENGINES - ALL 2.5L 4 CYL GAS
 DCB = Transmission - 4-Speed Manual,T3340
 DDQ = 5-Speed Manual Transmission
 DDG = 5-Speed HD Manual Transmission
 DGD = 3-Spd. Automatic 30RH Transmission
 DGK = 4-Spd. Automatic 42RE Transmission
 DGS = 4-Speed Automatic AW4 Transmission
 DGT = 4-Spd. Automatic 46RE Transmission
 DGW = TRANSMISSION - 4-SPD. AUTOMATIC,44RE
 DGX = 4-Speed Automatic Transmission
 DGY = No Description Available
 DGZ = Transmission- 4-Spd. Automatic,MT643
 DBB = ALL MANUAL TRANSMISSIONS
 DGO = TRANSMISSIONS - ALL AUTOMATIC

AR = use ase required - = Non illustrated part

Brakes,Front
Figure 5-110

ITEM	PART NUMBER	QTY	LINE	SERIES	BODY	ENGINE	TRANS	TRIM	DESCRIPTION
		10	J						
		10	T						
		10	B		74				
5	52008440	2	U						ROTOR, Brake
	V5015965								Mopar V-Line Alternative Brake Rotors
	V5015965	2	J						Mopar V-Line Alternative Brake Rotors
	V5015965	2	T						Mopar V-Line Alternative Brake Rotors
	V5015965	2	B		74				Mopar V-Line Alternative Brake Rotors
6	06026430	AR							NUT, Push
7	J4200096	2	U						WASHER, Flat
		2	J						
		2	T						
		2	B		74				
8	J4200095	2	U						NUT, Hex

CHEROKEE (XJ)

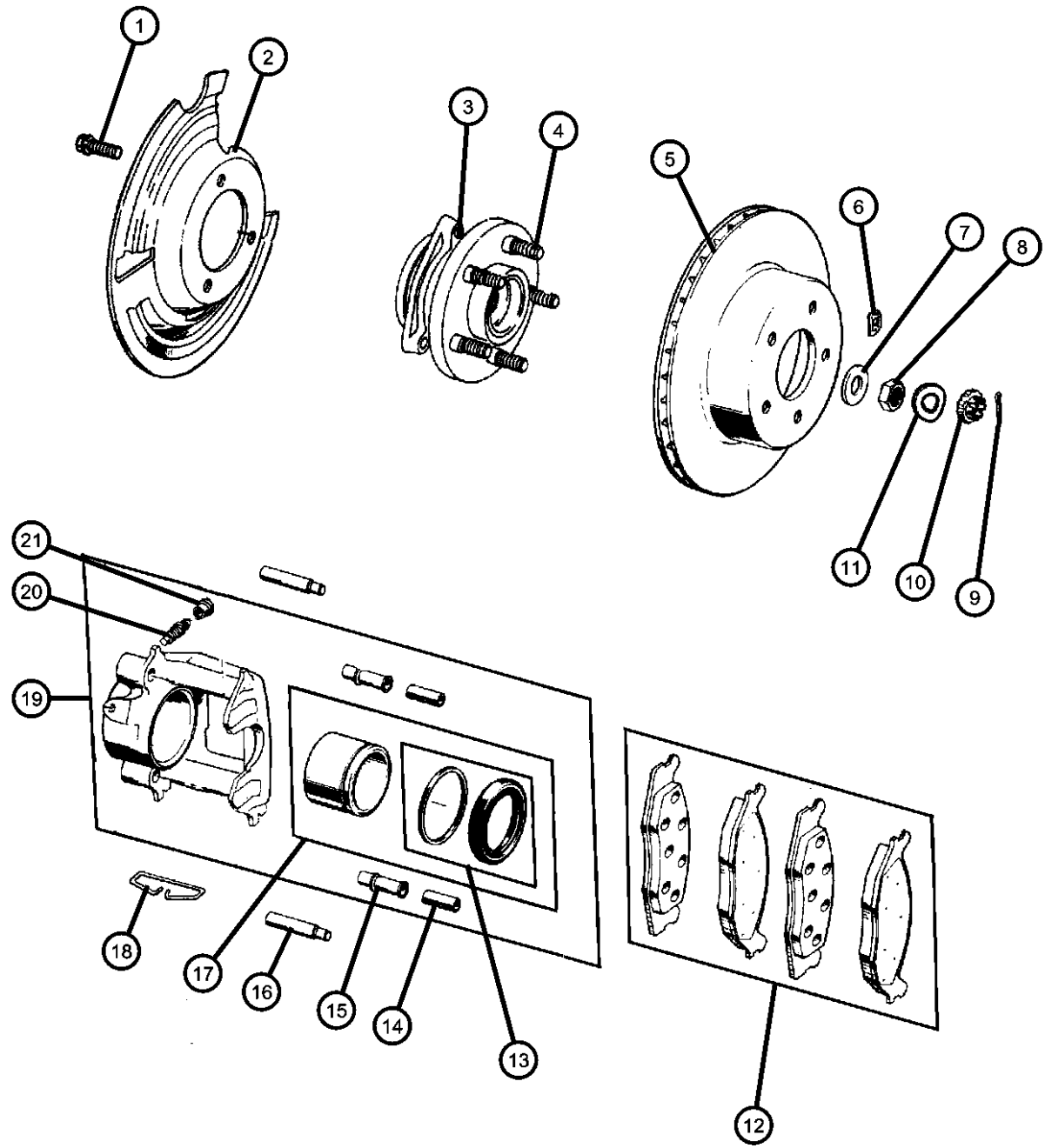
SERIES LINE
L = LOWLINE B = JEEP - 2WD (RHD)
U = JEEP - 4WD (RHD)
T = LHD - (2WD)
J = JEEP - - LHD (4WD)

BODY
72 = 2DR (101.4 WB)
74 = 4 DR (101.4 WB)

ENGINE TRANSMISSION
ENC = 2.5L 4 Cyl Turbo Diesel Engine DCB = Transmission - 4-Speed Manual,T3340
EPE = Engine - 2.5L Power Tech I-4 Cyl. DDQ = 5-Speed Manual Transmission
ERH = 4.0L Power Tech I-6 Engine DDG = 5-Speed HD Manual Transmission
ENO = Engines - ALL 4/5 CYL Turbo Diesel DGD = 3-Spd. Automatic 30RH Transmission
ERO = Engines - All 4.0L 6 Cyl Gas DGK = 4-Spd. Automatic 42RE Transmission
EPO = ENGINES - ALL 2.5L 4 CYL GAS DGS = 4-Speed Automatic AW4 Transmission
DGT = 4-Spd. Automatic 46RE Transmission
DGW = TRANSMISSION - 4-SPD. AUTOMATIC,44RE
DGX = 4-Speed Automatic Transmission
DGY = No Description Available
DGZ = Transmission- 4-Spd. Automatic,MT643
DBB = ALL MANUAL TRANSMISSIONS
DGO = TRANSMISSIONS - ALL AUTOMATIC

AR = use ase required - = Non illustrated part

1998 XJ



Brakes,Front
Figure 5-110

ITEM	PART NUMBER	QTY	LINE	SERIES	BODY	ENGINE	TRANS	TRIM	DESCRIPTION
		2	J						
		2	T						
		2	B		74				
9	11010069	6	U						PIN, Cotter, M4x40.00
		6	J						
		6	T						
		6	B		74				
10	J4200097	2	U						RETAINER, Hub Nut
		2	J						
		2	T						
		2	B		74				
11	04740749	2	U						WASHER, Wave
		2	J						
		2	T						
		2	B		74				
12	04883344AB BKH5066	1	B		74				PAD KIT, Front Disc Brake Mopar V-Line Alternative Part Caliper Bolts

CHEROKEE (XJ)

SERIES LINE
L = LOWLINE B = JEEP - 2WD (RHD)
U = JEEP - 4WD (RHD)
T = LHD - (2WD)
J = JEEP - - LHD (4WD)

BODY
72 = 2DR (101.4 WB)
74 = 4 DR (101.4 WB)

ENGINE TRANSMISSION
ENC = 2.5L 4 Cyl Turbo Diesel Engine
EPE = Engine - 2.5L Power Tech I-4 Cyl.
ERH = 4.0L Power Tech I-6 Engine
ENO = Engines - ALL 4/5 CYL Turbo Diesel
ERO = Engines - All 4.0L 6 Cyl Gas
EPO = ENGINES - ALL 2.5L 4 CYL GAS
DCB = Transmission - 4-Speed Manual,T3340
DDQ = 5-Speed Manual Transmission
DDX = 5-Speed HD Manual Transmission
DGD = 3-Spd. Automatic 30RH Transmission
DGK = 4-Spd. Automatic 42RE Transmission
DGS = 4-Speed Automatic AW4 Transmission
DGT = 4-Spd. Automatic 46RE Transmission
DGW = TRANSMISSION - 4-SPD. AUTOMATIC,44RE
DGX = 4-Speed Automatic Transmission
DGY = No Description Available
DGZ = Transmission- 4-Spd. Automatic,MT643
DBB = ALL MANUAL TRANSMISSIONS
DGO = TRANSMISSIONS - ALL AUTOMATIC

AR = use ase required - = Non illustrated part

1998 XJ

Brakes,Front
Figure 5-110

ITEM	PART NUMBER	QTY	LINE	SERIES	BODY	ENGINE	TRANS	TRIM	DESCRIPTION
	BHKH5605								Mopar V-Line Alternative Part Disc Hardware
	VCXJ5965								Make It Ceramic Brake Kit (w/Composite Rotors)
	V1010058AB								Mopar V-Line Alternative Part
	VXJ16434								Make It New Brake Kits (w/Cast Rotors)
	V3010058								Mopar V-Line Alternative Part Ceramic
	BHKH5066	1	J						Mopar V-Line Alternative Part Caliper Bolts
	BHKH5605								Mopar V-Line Alternative Part Disc Hardware
	VCXJ5965								Make It Ceramic Brake Kit (w/Composite Rotors)
	V1010058AB								Mopar V-Line Alternative Part
	VXJ16434								Make It New Brake Kits (w/Cast Rotors)
	V3010058								Mopar V-Line Alternative Part Ceramic
	04883344AC	1	T						Mopar V-Line Alternative Part E.U. R-90 Regulation Compliant
	VE101344								Make It Ceramic Brake Kit (w/Composite Rotors)
	VCXJ5965								Mopar V-Line Alternative Part
	V1010058AB								Mopar V-Line Alternative Part Disc Hardware
	BHKH5605								Mopar V-Line Alternative Part Disc Hardware

CHEROKEE (XJ)

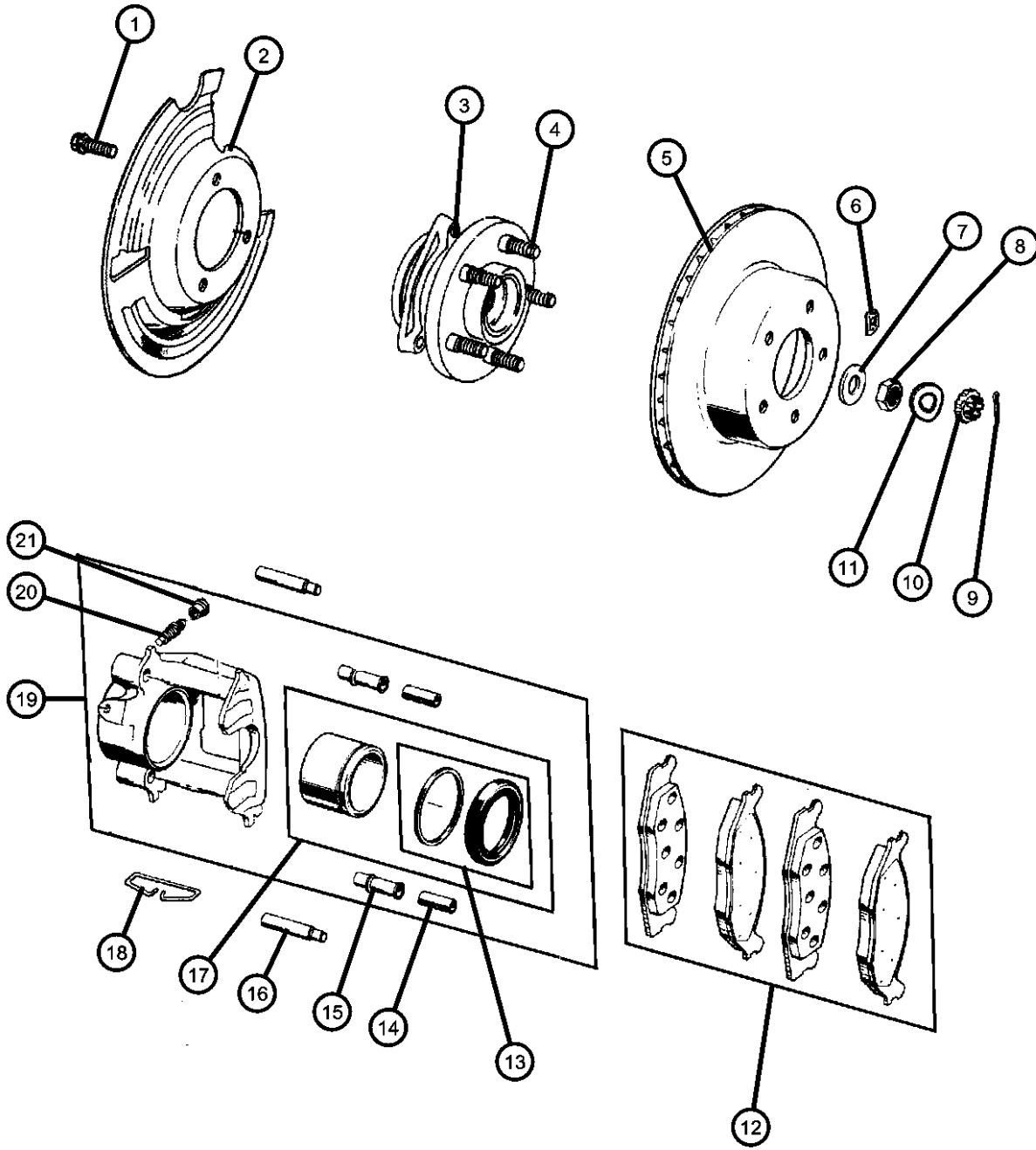
SERIES LINE
 L = LOWLINE B = JEEP - 2WD (RHD)
 U = JEEP - 4WD (RHD)
 T = LHD - (2WD)
 J = JEEP - - LHD (4WD)

BODY
 72 = 2DR (101.4 WB)
 74 = 4 DR (101.4 WB)

ENGINE TRANSMISSION
 ENC = 2.5L 4 Cyl Turbo Diesel Engine
 EPE = Engine - 2.5L Power Tech I-4 Cyl.
 ERH = 4.0L Power Tech I-6 Engine
 ENO = Engines - ALL 4/5 CYL Turbo Diesel
 ERO = Engines - All 4.0L 6 Cyl Gas
 EPO = ENGINES - ALL 2.5L 4 CYL GAS
 DCB = Transmission - 4-Speed Manual,T3340
 DDQ = 5-Speed Manual Transmission
 DDX = 5-Speed HD Manual Transmission
 DGD = 3-Spd. Automatic 30RH Transmission
 DGK = 4-Spd. Automatic 42RE Transmission
 DGS = 4-Speed Automatic AW4 Transmission
 DGT = 4-Spd. Automatic 46RE Transmission
 DGW = TRANSMISSION - 4-SPD. AUTOMATIC,44RE
 DGX = 4-Speed Automatic Transmission
 DGY = No Description Available
 DGZ = Transmission- 4-Spd. Automatic,MT643
 DBB = ALL MANUAL TRANSMISSIONS
 DGO = TRANSMISSIONS - ALL AUTOMATIC

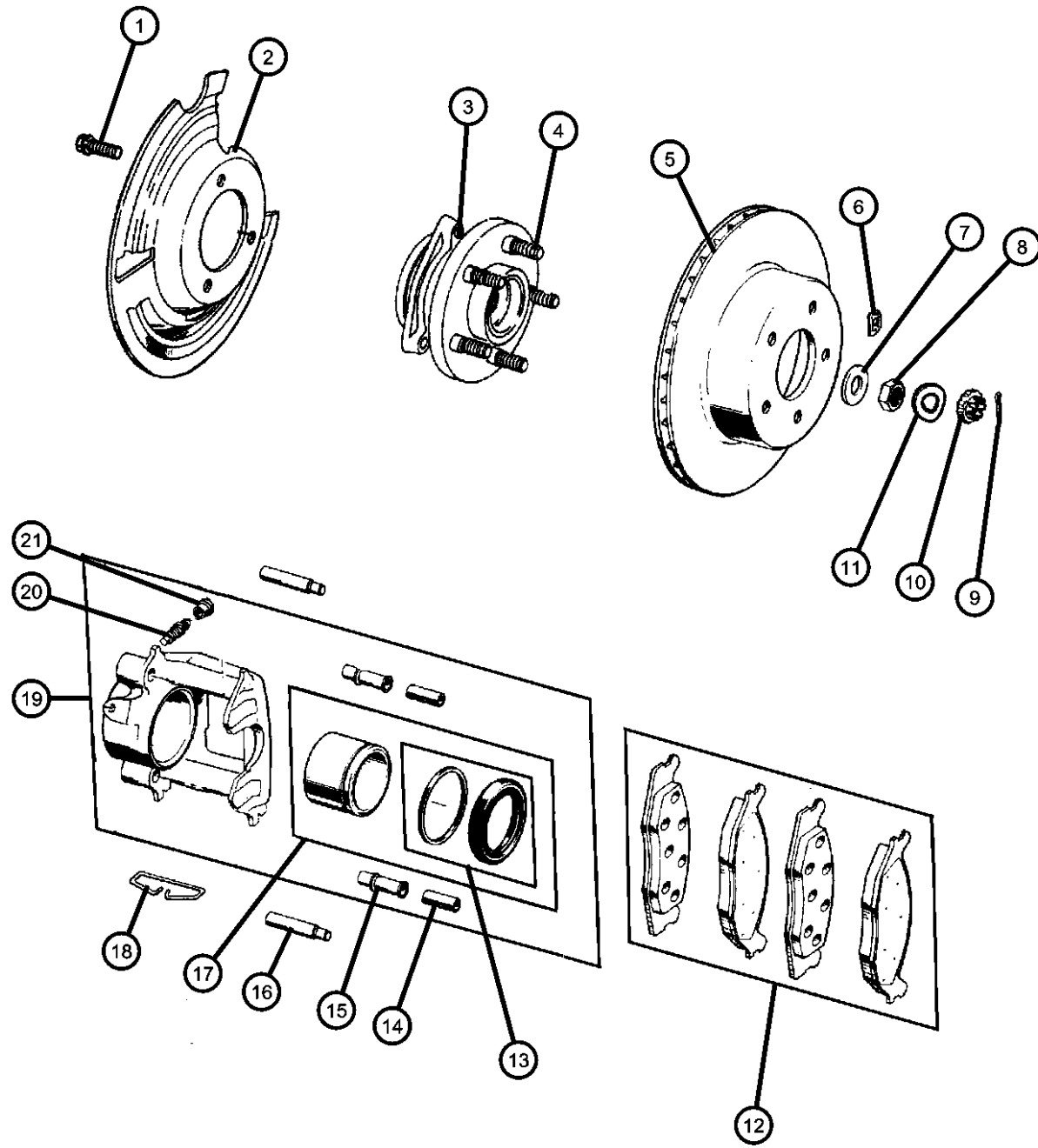
AR = use ase required - = Non illustrated part

1998 XJ



Brakes,Front
Figure 5-110

ITEM	PART NUMBER	QTY	LINE	SERIES	BODY	ENGINE	TRANS	TRIM	DESCRIPTION
------	-------------	-----	------	--------	------	--------	-------	------	-------------



	BHKH5066								Mopar V-Line Alternative Part Caliper Bolts
	VK298584AA								Mopar Loaded Brake Caliper Kit (2 Calipers, Brake Friction)
	VXJ15965								Make It New Brake Kits (w/Composite Rotors)
	V3010058								Mopar V-Line Alternative Part Ceramic
	VE101344	1	U						Mopar V-Line Alternative Part E.U. R-90 Regulation Compliant
	VCXJ5965								Make It Ceramic Brake Kit (w/Composite Rotors)
	V1010058AB								Mopar V-Line Alternative Part
	BHKH5605								Mopar V-Line Alternative Part Disc Hardware
	BHKH5066								Mopar V-Line Alternative Part Caliper Bolts
	VK298584AA								Mopar Loaded Brake Caliper Kit (2 Calipers, Brake Friction)
	VXJ15965								Make It New Brake Kits (w/Composite Rotors)
	V3010058								Mopar V-Line Alternative Part Ceramic
13	J8133852	1	B				74		BOOT AND SEAL, Disc Brake
		1	T						
		1	J						
		1	U						

CHEROKEE (XJ)

SERIES LINE
 L = LOWLINE B = JEEP - 2WD (RHD)
 U = JEEP - 4WD (RHD)
 T = LHD - (2WD)
 J = JEEP - - LHD (4WD)

BODY
 72 = 2DR (101.4 WB)
 74 = 4 DR (101.4 WB)

ENGINE TRANSMISSION
 ENC = 2.5L 4 Cyl Turbo Diesel Engine
 EPE = Engine - 2.5L Power Tech I-4 Cyl.
 ERH = 4.0L Power Tech I-6 Engine
 ENO = Engines - ALL 4/5 CYL Turbo Diesel
 ERO = Engines - All 4.0L 6 Cyl Gas
 EPO = ENGINES - ALL 2.5L 4 CYL GAS
 DCB = Transmission - 4-Speed Manual,T3340
 DDQ = 5-Speed Manual Transmission
 DDX = 5-Speed HD Manual Transmission
 DGD = 3-Spd. Automatic 30RH Transmission
 DGK = 4-Spd. Automatic 42RE Transmission
 DGS = 4-Speed Automatic AW4 Transmission
 DGT = 4-Spd. Automatic 46RE Transmission
 DGW = TRANSMISSION - 4-SPD. AUTOMATIC,44RE
 DGX = 4-Speed Automatic Transmission
 DGY = No Description Available
 DGZ = Transmission- 4-Spd. Automatic,MT643
 DBB = ALL MANUAL TRANSMISSIONS
 DGO = TRANSMISSIONS - ALL AUTOMATIC

AR = use ase required - = Non illustrated part

1998 XJ

Brakes,Front
Figure 5-110

ITEM	PART NUMBER	QTY	LINE	SERIES	BODY	ENGINE	TRANS	TRIM	DESCRIPTION
14	04383471	2	B		74				BUSHING, Disc Brake Caliper
		2	T						
		2	J						
		2	U						
15	04423573	2	B		74				SLEEVE, Disc Brake Caliper
		2	T						
		2	J						
		2	U						
16	05253000	4	U						PIN, Caliper
		4	J						
		4	T						
		4	B		74				
17	05252614	1	J						PISTON, Brake
		1	T						
		1	U						
		1	B		74				
18	J3239865	1	J						CLIP, Brake Caliper

CHEROKEE (XJ)

SERIES

L = LOWLINE

LINE

B = JEEP - 2WD (RHD)
U = JEEP - 4WD (RHD)
T = LHD - (2WD)
J = JEEP - - LHD (4WD)

BODY

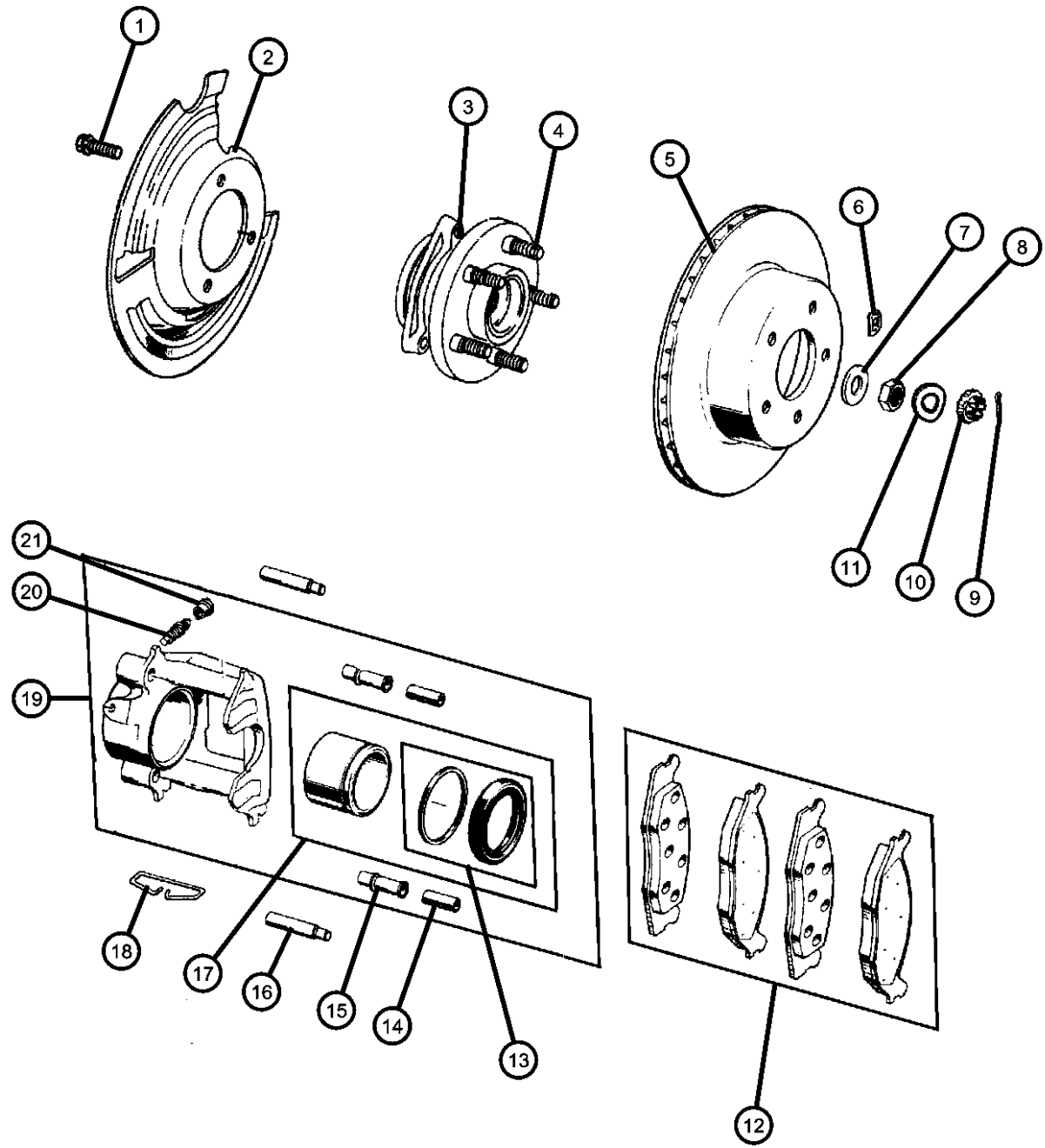
72 = 2DR (101.4 WB)
74 = 4 DR (101.4 WB)

ENGINE

ENC = 2.5L 4 Cyl Turbo Diesel Engine
EPE = Engine - 2.5L Power Tech I-4 Cyl.
ERH = 4.0L Power Tech I-6 Engine
ENO = Engines - ALL 4/5 CYL Turbo Diesel
ERO = Engines - All 4.0L 6 Cyl Gas
EPO = ENGINES - ALL 2.5L 4 CYL GAS

TRANSMISSION

DCB = Transmission - 4-Speed Manual,T3340
DDQ = 5-Speed Manual Transmission
DDX = 5-Speed HD Manual Transmission
DGD = 3-Spd. Automatic 30RH Transmission
DGK = 4-Spd. Automatic 42RE Transmission
DGS = 4-Speed Automatic AW4 Transmission
DGT = 4-Spd. Automatic 46RE Transmission
DGW = TRANSMISSION - 4-SPD. AUTOMATIC,44RE
DGX = 4-Speed Automatic Transmission
DGY = No Description Available
DGZ = Transmission- 4-Spd. Automatic,MT643
DBB = ALL MANUAL TRANSMISSIONS
DGO = TRANSMISSIONS - ALL AUTOMATIC



AR = use ase required - = Non illustrated part

1998 XJ

Brakes,Front
Figure 5-110

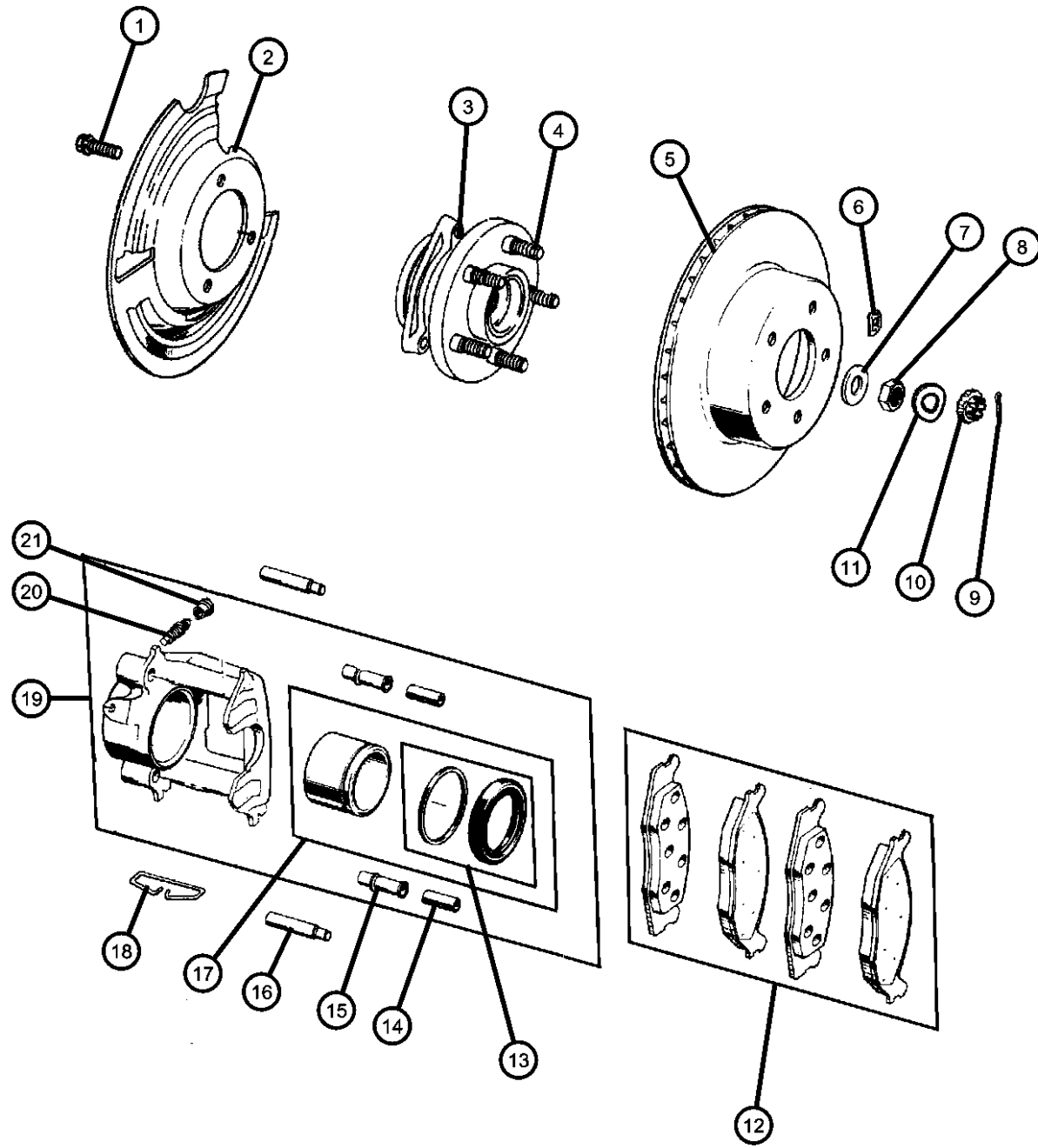
ITEM	PART NUMBER	QTY	LINE	SERIES	BODY	ENGINE	TRANS	TRIM	DESCRIPTION
		1	B						
		1	T						
		2	U						
19	05252984 R5252984 VK298584AA	1	B		74				CALIPER, Disc Brake Right Mopar Remanufactured Part Mopar Loaded Brake Caliper Kit (2 Calipers, Brake Friction) Right
	R5252984 VK298584AA	1	T						Mopar Remanufactured Part Mopar Loaded Brake Caliper Kit (2 Calipers, Brake Friction) Right
	R5252984 VK298584AA	1	J						Mopar Remanufactured Part Mopar Loaded Brake Caliper Kit (2 Calipers, Brake Friction) Right
	R5252984 VK298584AA	1	U						Mopar Remanufactured Part Mopar Loaded Brake Caliper Kit (2 Calipers, Brake Friction) Right
	05252985 R5252985 VK298584AA	1	B		74				Mopar Remanufactured Part Mopar Loaded Brake Caliper Kit (2 Calipers, Brake Friction) Left
		1	T						Mopar Remanufactured Part Mopar Loaded Brake Caliper Kit (2 Calipers, Brake Friction) Left

CHEROKEE (XJ)

SERIES LINE
L = LOWLINE B = JEEP - 2WD (RHD)
U = JEEP - 4WD (RHD)
T = LHD - (2WD)
J = JEEP - - LHD (4WD)

BODY
72 = 2DR (101.4 WB)
74 = 4 DR (101.4 WB)

ENGINE TRANSMISSION
ENC = 2.5L 4 Cyl Turbo Diesel Engine DCB = Transmission - 4-Speed Manual,T3340
EPE = Engine - 2.5L Power Tech I-4 Cyl. DDQ = 5-Speed Manual Transmission
ERH = 4.0L Power Tech I-6 Engine DDG = 5-Speed HD Manual Transmission
ENO = Engines - ALL 4/5 CYL Turbo Diesel DGD = 3-Spd. Automatic 30RH Transmission
ERO = Engines - All 4.0L 6 Cyl Gas DGK = 4-Spd. Automatic 42RE Transmission
EPO = ENGINES - ALL 2.5L 4 CYL GAS DGS = 4-Speed Automatic AW4 Transmission
DGT = 4-Spd. Automatic 46RE Transmission
DGW = TRANSMISSION - 4-SPD. AUTOMATIC,44RE
DGX = 4-Speed Automatic Transmission
DGY = No Description Available
DGZ = Transmission- 4-Spd. Automatic,MT643
DBB = ALL MANUAL TRANSMISSIONS
DGO = TRANSMISSIONS - ALL AUTOMATIC

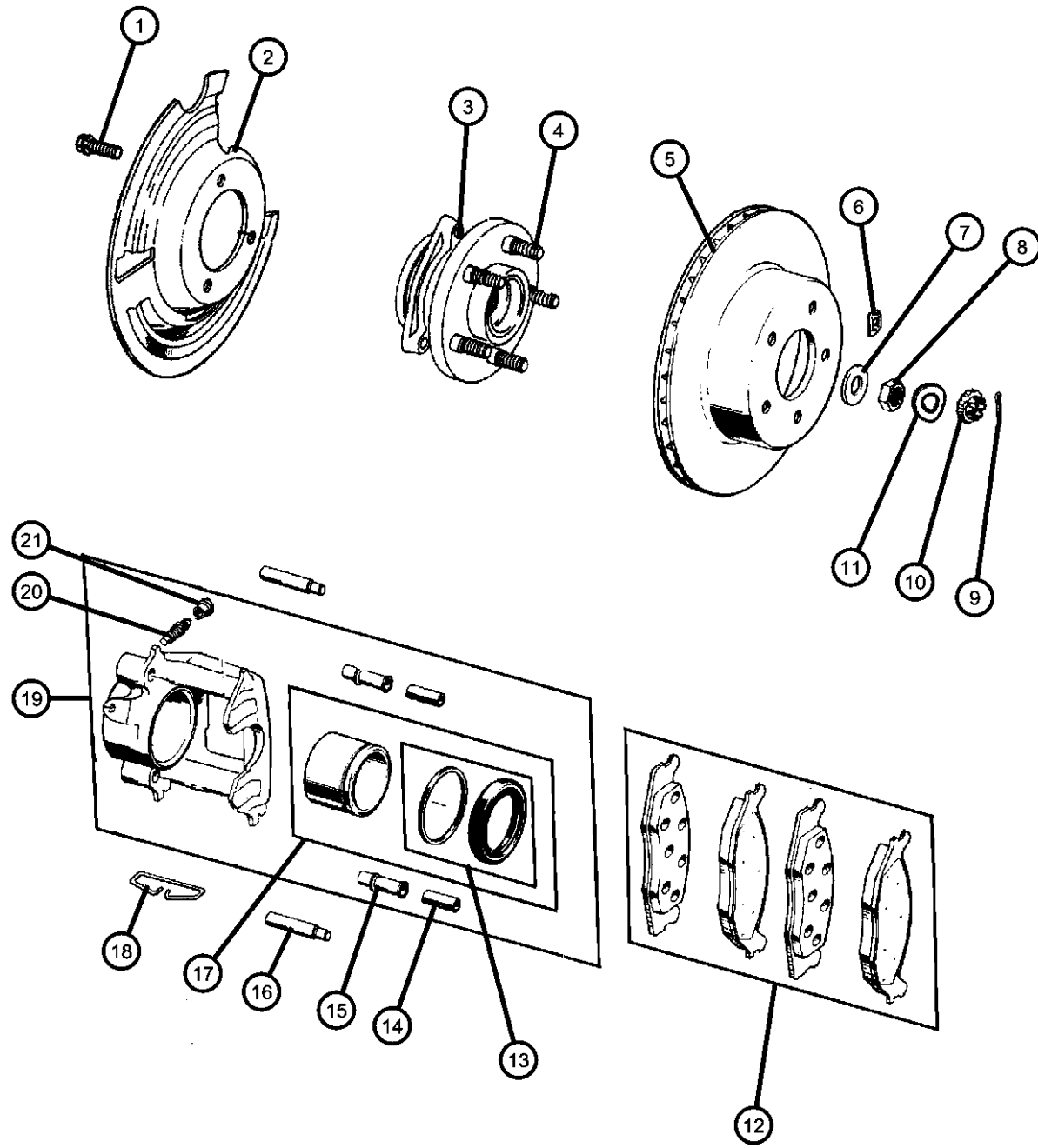


AR = use ase required - = Non illustrated part

1998 XJ

Brakes,Front
Figure 5-110

ITEM	PART NUMBER	QTY	LINE	SERIES	BODY	ENGINE	TRANS	TRIM	DESCRIPTION
------	-------------	-----	------	--------	------	--------	-------	------	-------------



	R5252985 VK298584AA	1	J						Mopar Remanufactured Part Mopar Loaded Brake Caliper Kit (2 Calipers, Brake Friction) Left
	R5252985 VK298584AA	1	U						Mopar Remanufactured Part Mopar Loaded Brake Caliper Kit (2 Calipers, Brake Friction) Left
	R5252985 VK298584AA	1	U						Mopar Remanufactured Part Mopar Loaded Brake Caliper Kit (2 Calipers, Brake Friction) Left
20	J3203313	1	B		74				SCREW, Bleeder
		1	T						
		1	J						
		1	U						
21	04238717	1	B		74				CAP, Bleeder
		1	T						
		1	J						
		1	U						

CHEROKEE (XJ)

SERIES LINE
L = LOWLINE B = JEEP - 2WD (RHD)
U = JEEP - 4WD (RHD)
T = LHD - (2WD)
J = JEEP - - LHD (4WD)

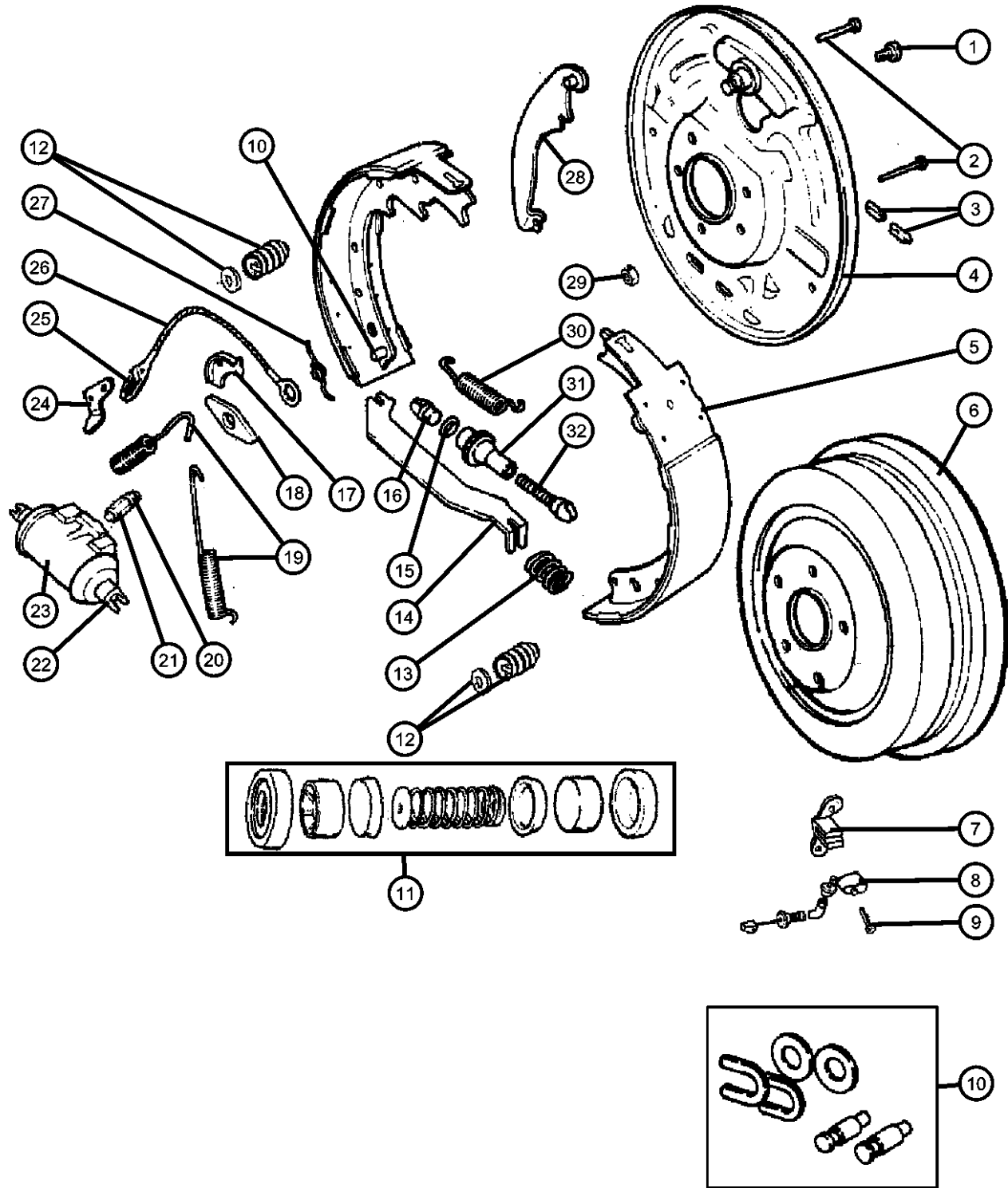
BODY
72 = 2DR (101.4 WB)
74 = 4 DR (101.4 WB)

ENGINE TRANSMISSION
ENC = 2.5L 4 Cyl Turbo Diesel Engine DCB = Transmission - 4-Speed Manual,T3340
EPE = Engine - 2.5L Power Tech I-4 Cyl. DDQ = 5-Speed Manual Transmission
ERH = 4.0L Power Tech I-6 Engine DDX = 5-Speed HD Manual Transmission
DGD = 3-Spd. Automatic 30RH Transmission
ENO = Engines - ALL 4/5 CYL Turbo Diesel DGK = 4-Spd. Automatic 42RE Transmission
ERO = Engines - All 4.0L 6 Cyl Gas DGS = 4-Speed Automatic AW4 Transmission
EPO = ENGINES - ALL 2.5L 4 CYL GAS DGT = 4-Spd. Automatic 46RE Transmission
DGY = No Description Available
DGZ = Transmission- 4-Spd. Automatic,MT643
DBB = ALL MANUAL TRANSMISSIONS
DGO = TRANSMISSIONS - ALL AUTOMATIC

AR = use ase required - = Non illustrated part

1998 XJ

**Brakes,Rear,9 Inches X 2.5 Inches
Figure 5-210**



ITEM	PART NUMBER	QTY	LINE	SERIES	BODY	ENGINE	TRANS	TRIM	DESCRIPTION
Note:Sales Codes; [BGA]=Brakes,- Power Front Disc/Rear Drum [BGK]=Brakes - 4-Wheel Antilock									
1	06028921	2							BOLT, Hex Head, Wheel Cylinder, Mounting
2	02260548	2							PIN, Brake Shoe Hold Down
3	04238721	2							PLUG, Brake Adjusting Hole
4									PLATE, Brake Backing
	04856718	1							[BGK], Right
	04856719	1							[BGK], Left
	05017760AA	1							[BGA], Right
	05017761AA	1							[BGA], Left
5	04723367	1							SHOE AND LINING KIT, Drum
	BHKH7265								Mopar V-Line Alternative Part All In One Drum Combi Kits
	BHKH2526								Mopar V-Line Alternative Part Drum Self Adjuster Kit Left
	BHKH2527								Mopar V-Line Alternative Part Drum Self Adjuster Kit
	V2010367AB								Mopar V-Line Alternative Part
6	52005350	2							DRUM, Brake
7									BRACKET, Brake Sensor
	52007804	1							Right
	52007805	1							Left
8									SENSOR, Anti-Lock Brakes
	52005932	1							Right

CHEROKEE (XJ)

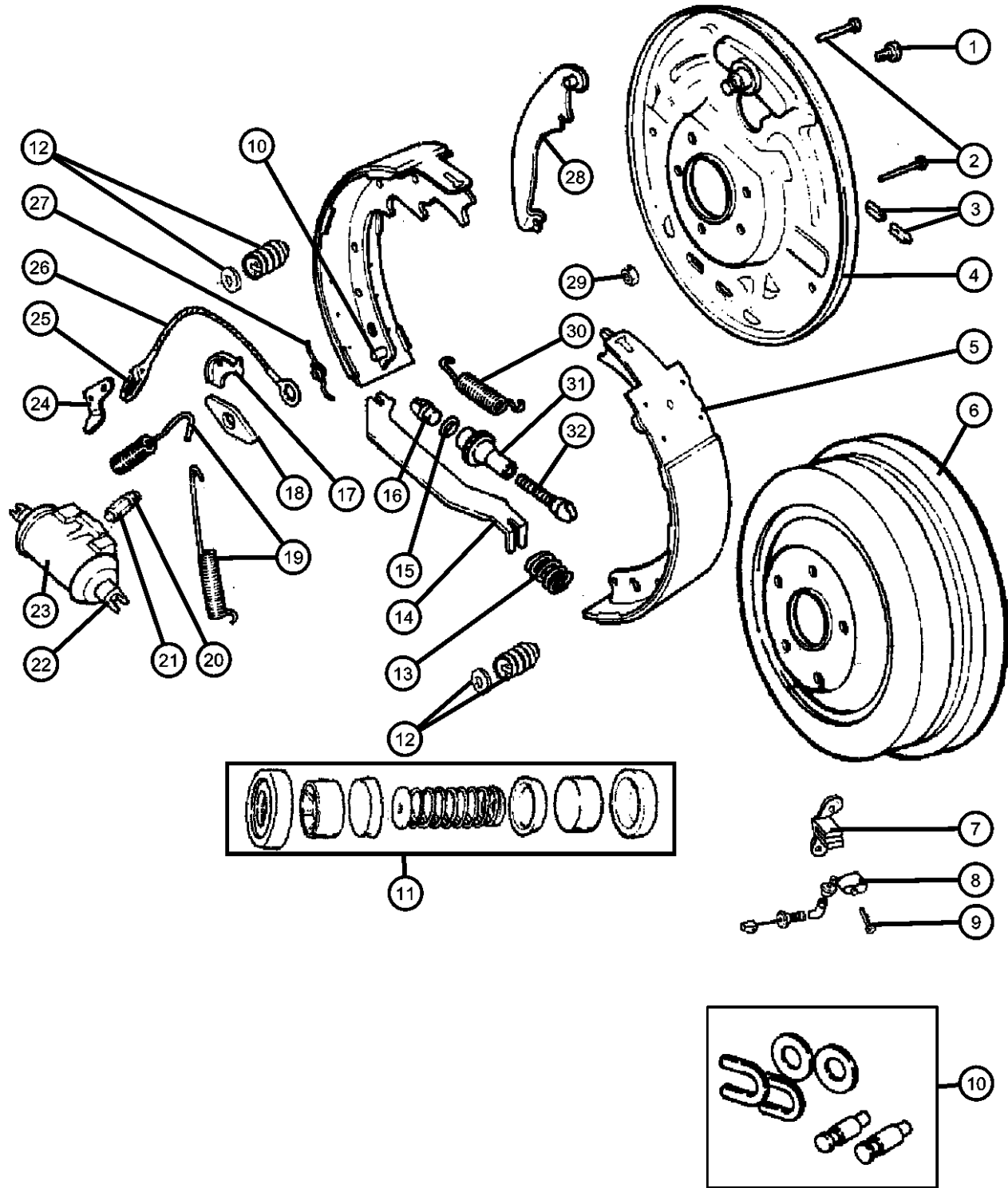
SERIES LINE
L = LOWLINE B = JEEP - 2WD (RHD)
U = JEEP - 4WD (RHD)
T = LHD - (2WD)
J = JEEP - - LHD (4WD)

BODY
72 = 2DR (101.4 WB)
74 = 4 DR (101.4 WB)

ENGINE TRANSMISSION
ENC = 2.5L 4 Cyl Turbo Diesel Engine DCB = Transmission - 4-Speed Manual,T3340
EPE = Engine - 2.5L Power Tech I-4 Cyl. DDQ = 5-Speed Manual Transmission
ERH = 4.0L Power Tech I-6 Engine DDG = 5-Speed HD Manual Transmission
ENO = Engines - ALL 4/5 CYL Turbo Diesel DGD = 3-Spd. Automatic 30RH Transmission
ERO = Engines - All 4.0L 6 Cyl Gas DGK = 4-Spd. Automatic 42RE Transmission
EPO = ENGINES - ALL 2.5L 4 CYL GAS DGS = 4-Speed Automatic AW4 Transmission
DGT = 4-Spd. Automatic 46RE Transmission
DGW = TRANSMISSION - 4-SPD. AUTOMATIC,44RE
DGX = 4-Speed Automatic Transmission
DGY = No Description Available
DGZ = Transmission- 4-Spd. Automatic,MT643
DBB = ALL MANUAL TRANSMISSIONS
DGO = TRANSMISSIONS - ALL AUTOMATIC

AR = use ase required - = Non illustrated part

Brakes,Rear,9 Inches X 2.5 Inches
Figure 5-210



ITEM	PART NUMBER	QTY	LINE	SERIES	BODY	ENGINE	TRANS	TRIM	DESCRIPTION
	52005933	1							Left
9	83504920	2							BOLT, ABS Sensor, Mounting
10	04049681	1							HARDWARE PACKAGE, Rear Brake
11	05252630	1							REPAIR KIT, Wheel Cylinder
12	04313062	2							SPRING, Brake Shoe Hold Down
13	04713590	1							STRUT, Parking Brake
14	06027559	1							WASHER, Adjuster Button
15	02944586	1							BUTTON, Rear Brake Auto Adjust
16	02260793	1							GUIDE, Brake Adjusting Cable
17	04313075	1							PLATE, Brake Shoe Guide
18	02881676	2							SPRING, Brake Shoe Return
19	04238717	1							CAP, Bleeder
20	03766674	1							BLEEDER SCREW, Brake
21	03766674	1							LINK, Brake, Purchase Wheel Cylinder, (NOT SERVICED)
22	04423601	1							CYLINDER, Wheel
23	04761759	1							LEVER, Park Brake Adjusting
24	03461660	1							SPRING, Adjuster Cable
25	03461662	1							CABLE, Brake Automatic Adjuster
26									SPRING, Brake Auto Adjuster Lever
	02944580	1							Right
	02944581	1							Left

CHEROKEE (XJ)

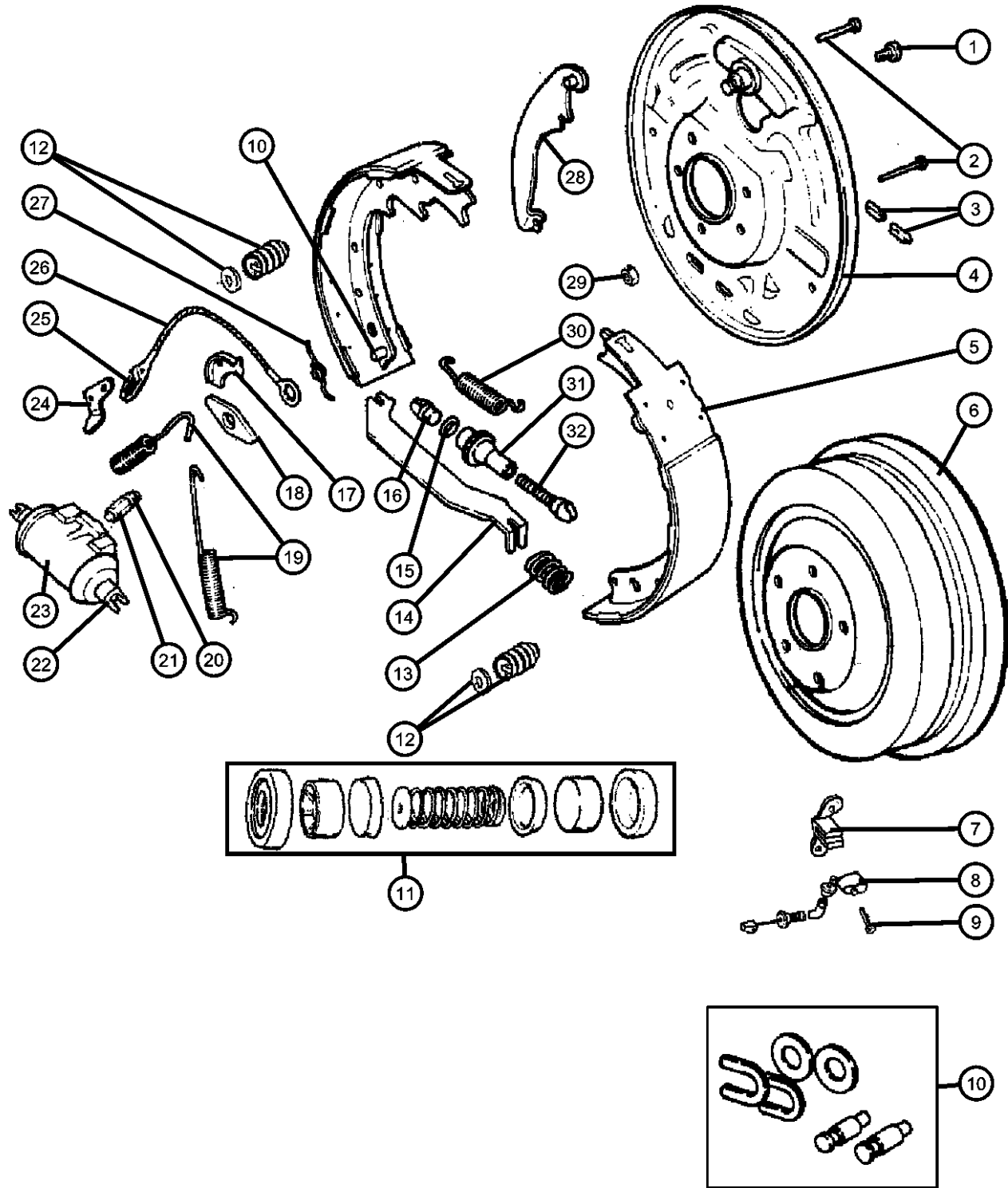
SERIES LINE
 L = LOWLINE B = JEEP - 2WD (RHD)
 U = JEEP - 4WD (RHD)
 T = LHD - (2WD)
 J = JEEP - - LHD (4WD)

BODY
 72 = 2DR (101.4 WB)
 74 = 4 DR (101.4 WB)

ENGINE TRANSMISSION
 ENC = 2.5L 4 Cyl Turbo Diesel Engine
 EPE = Engine - 2.5L Power Tech I-4 Cyl.
 ERH = 4.0L Power Tech I-6 Engine
 ENO = Engines - ALL 4/5 CYL Turbo Diesel
 ERO = Engines - All 4.0L 6 Cyl Gas
 EPO = ENGINES - ALL 2.5L 4 CYL GAS
 DCB = Transmission - 4-Speed Manual,T3340
 DDQ = 5-Speed Manual Transmission
 DDG = 5-Speed HD Manual Transmission
 DGD = 3-Spd. Automatic 30RH Transmission
 DGK = 4-Spd. Automatic 42RE Transmission
 DGS = 4-Speed Automatic AW4 Transmission
 DGT = 4-Spd. Automatic 46RE Transmission
 DGW = TRANSMISSION - 4-SPD. AUTOMATIC,44RE
 DGX = 4-Speed Automatic Transmission
 DGY = No Description Available
 DGZ = Transmission- 4-Spd. Automatic,MT643
 DBB = ALL MANUAL TRANSMISSIONS
 DGO = TRANSMISSIONS - ALL AUTOMATIC

AR = use ase required - = Non illustrated part

**Brakes,Rear,9 Inches X 2.5 Inches
Figure 5-210**



ITEM	PART NUMBER	QTY	LINE	SERIES	BODY	ENGINE	TRANS	TRIM	DESCRIPTION
27									LEVER, Park Brake
	04313810	1							Right
	04313811	1							Left
28	00152345	8							NUT, Backing Plate to Axle housing, Mounting
29	04423085	1							SPRING, Brake Shoe to Shoe
30									NUT, Rear Brake Auto Adjust Pivot
	02944692	1							Right
	02944693	1							Left
31									SCREW, Brake Adjusting
	04423898	1							Right
	04423899	1							Left
-32									SCREW, Brake Adjusting
	04423900	1							Includes 15,16,31,32, Right
	04423901	1							Includes 15,16,31,32, Left

CHEROKEE (XJ)

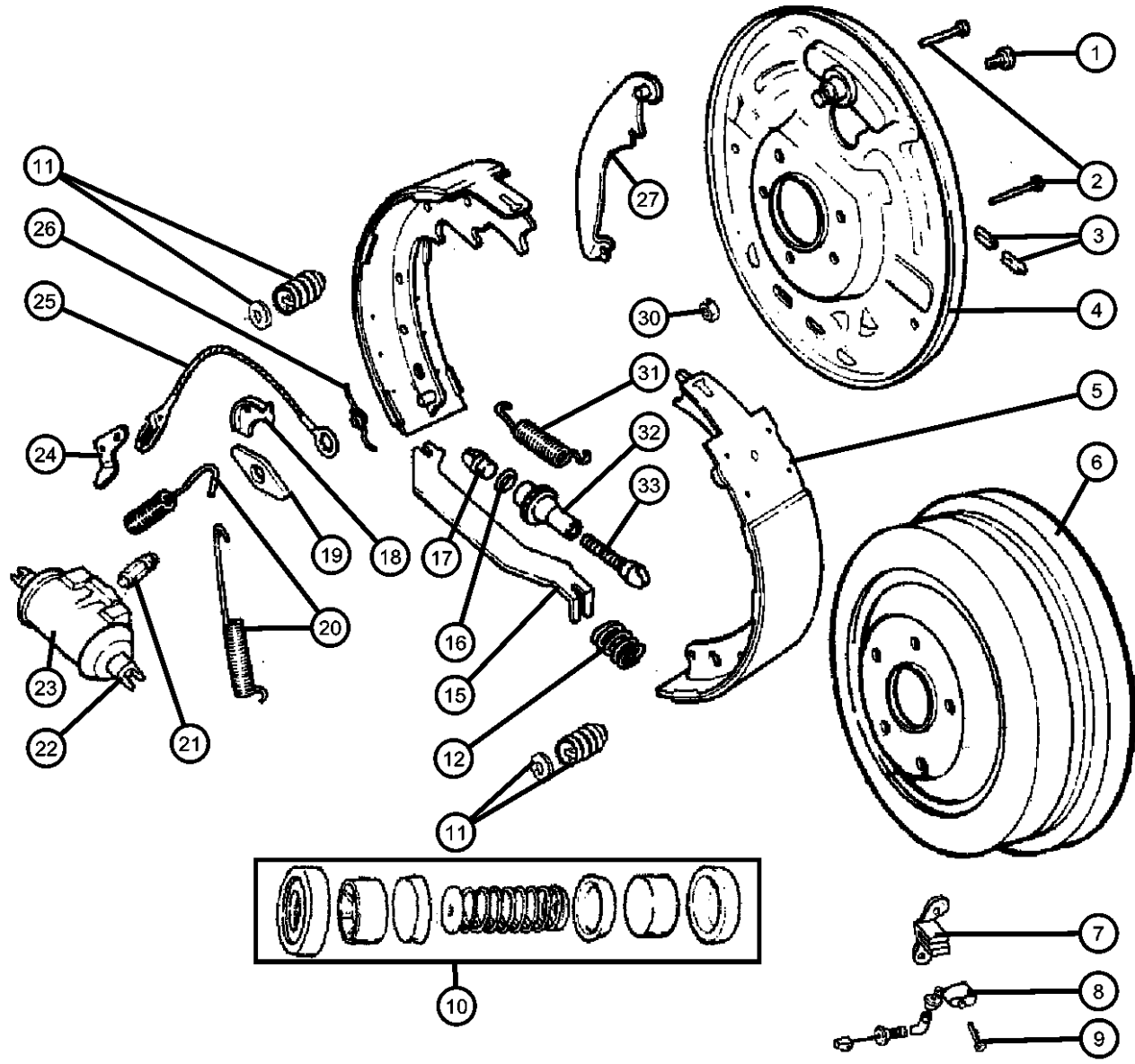
SERIES LINE
 L = LOWLINE B = JEEP - 2WD (RHD)
 U = JEEP - 4WD (RHD)
 T = LHD - (2WD)
 J = JEEP - - LHD (4WD)

BODY
 72 = 2DR (101.4 WB)
 74 = 4 DR (101.4 WB)

ENGINE TRANSMISSION
 ENC = 2.5L 4 Cyl Turbo Diesel Engine DCB = Transmission - 4-Speed Manual,T3340
 EPE = Engine - 2.5L Power Tech I-4 Cyl. DDQ = 5-Speed Manual Transmission
 ERH = 4.0L Power Tech I-6 Engine DDX = 5-Speed HD Manual Transmission
 ENO = Engines - ALL 4/5 CYL Turbo Diesel DGD = 3-Spd. Automatic 30RH Transmission
 ERO = Engines - All 4.0L 6 Cyl Gas DGK = 4-Spd. Automatic 42RE Transmission
 EPO = ENGINES - ALL 2.5L 4 CYL GAS DGS = 4-Speed Automatic AW4 Transmission
 DGT = 4-Spd. Automatic 46RE Transmission
 DGW = TRANSMISSION - 4-SPD. AUTOMATIC,44RE
 DGX = 4-Speed Automatic Transmission
 DGY = No Description Available
 DGZ = Transmission- 4-Spd. Automatic,MT643
 DBB = ALL MANUAL TRANSMISSIONS
 DGO = TRANSMISSIONS - ALL AUTOMATIC

AR = use ase required - = Non illustrated part

Brakes,Rear,10 Inches X 1 3/4 Inches,[AHB]
Figure 5-220



ITEM	PART NUMBER	QTY	LINE	SERIES	BODY	ENGINE	TRANS	TRIM	DESCRIPTION
------	-------------	-----	------	--------	------	--------	-------	------	-------------

Note:Sales Codes;
[AHB]=Police Group
[BGA]=Brakes,- Power Front Disc/Rear Drum
[BGK]=Brakes - 4-Wheel Antilock

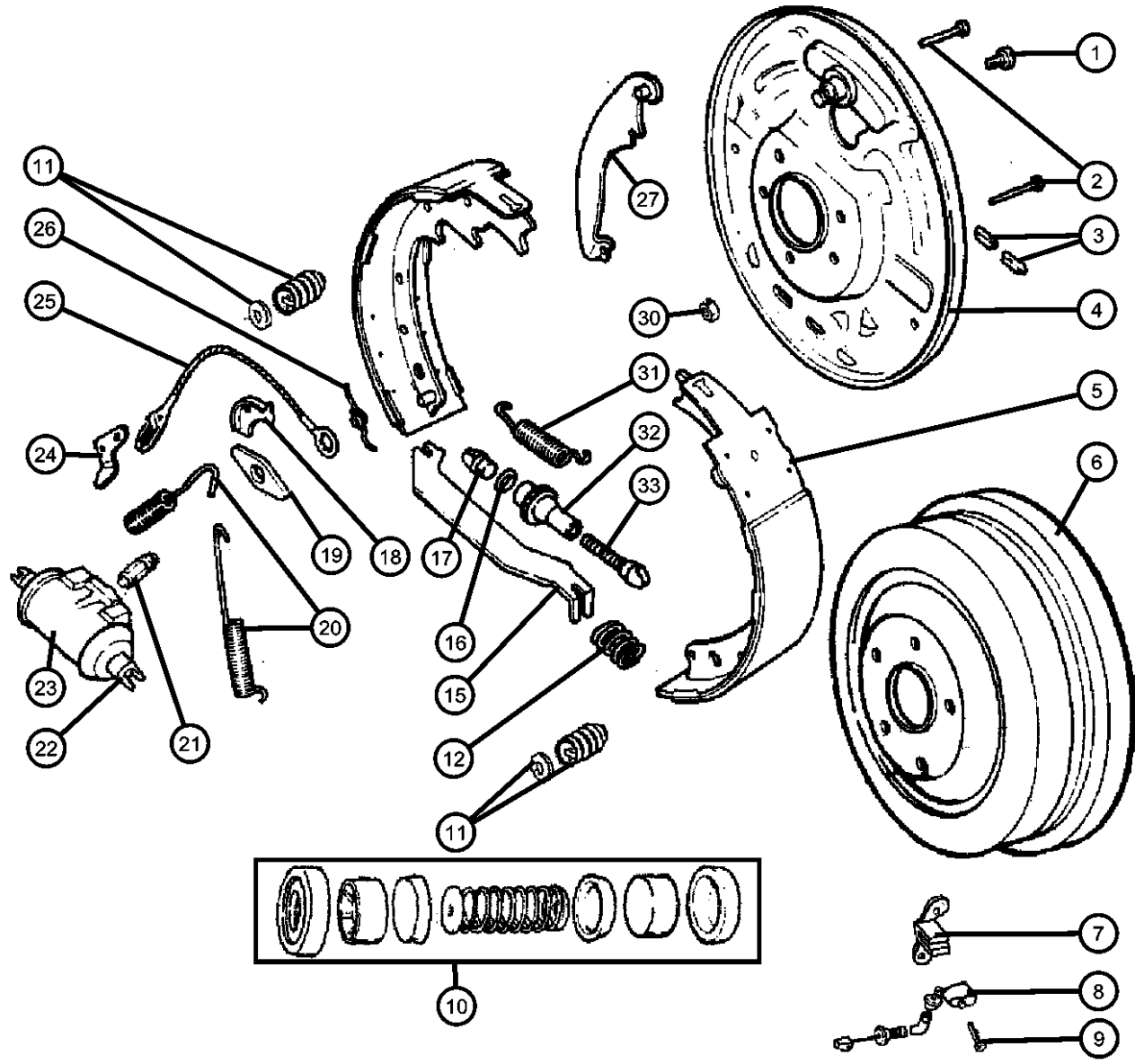
1	06028921	2							BOLT, Hex Head, Wheel Cylinder, Mounting
2	04746783	2							PIN, Brake Shoe Hold Down
3	32000147	2							PLUG, Brake Adjusting Hole
4									PLATE, Brake Backing
	04773490	1							Right
	04773491	1							Left
5	04796310	1							SHOE AND LINING KIT, Drum
	BHKH7289								Mopar V-Line Alternative Part All In One Drum Combi Kits
	BHKH2656								Mopar V-Line Alternative Part Drum Self Adjuster Kit Left
	BHKH2657								Mopar V-Line Alternative Part Drum Self Adjuster Kit
	V2012310AB								Mopar V-Line Alternative Part
6	52007502	2							DRUM, Brake
7									BRACKET, Brake Sensor
	52007804	1							Right
	52007805	1							Left
8									SENSOR, Anti-Lock Brakes
	52005932	1							Right
	52005933	1							Left

CHEROKEE (XJ)

SERIES	LINE	BODY	ENGINE	TRANSMISSION
L = LOWLINE	B = JEEP - 2WD (RHD) U = JEEP - 4WD (RHD) T = LHD - (2WD) J = JEEP - - LHD (4WD)	72 = 2DR (101.4 WB) 74 = 4 DR (101.4 WB)	ENC = 2.5L 4 Cyl Turbo Diesel Engine EPE = Engine - 2.5L Power Tech I-4 Cyl. ERH = 4.0L Power Tech I-6 Engine ENO = Engines - ALL 4/5 CYL Turbo Diesel ERO = Engines - All 4.0L 6 Cyl Gas EPO = ENGINES - ALL 2.5L 4 CYL GAS	DCB = Transmission - 4-Speed Manual,T3340 DDQ = 5-Speed Manual Transmission DDX = 5-Speed HD Manual Transmission DGD = 3-Spd. Automatic 30RH Transmission DGK = 4-Spd. Automatic 42RE Transmission DGS = 4-Speed Automatic AW4 Transmission DGT = 4-Spd. Automatic 46RE Transmission DGW = TRANSMISSION - 4-SPD. AUTOMATIC,44RE DGX = 4-Speed Automatic Transmission DGY = No Description Available DGZ = Transmission- 4-Spd. Automatic,MT643 DBB = ALL MANUAL TRANSMISSIONS DGO = TRANSMISSIONS - ALL AUTOMATIC

AR = use ase required - = Non illustrated part

Brakes,Rear,10 Inches X 1 3/4 Inches,[AHB]
Figure 5-220

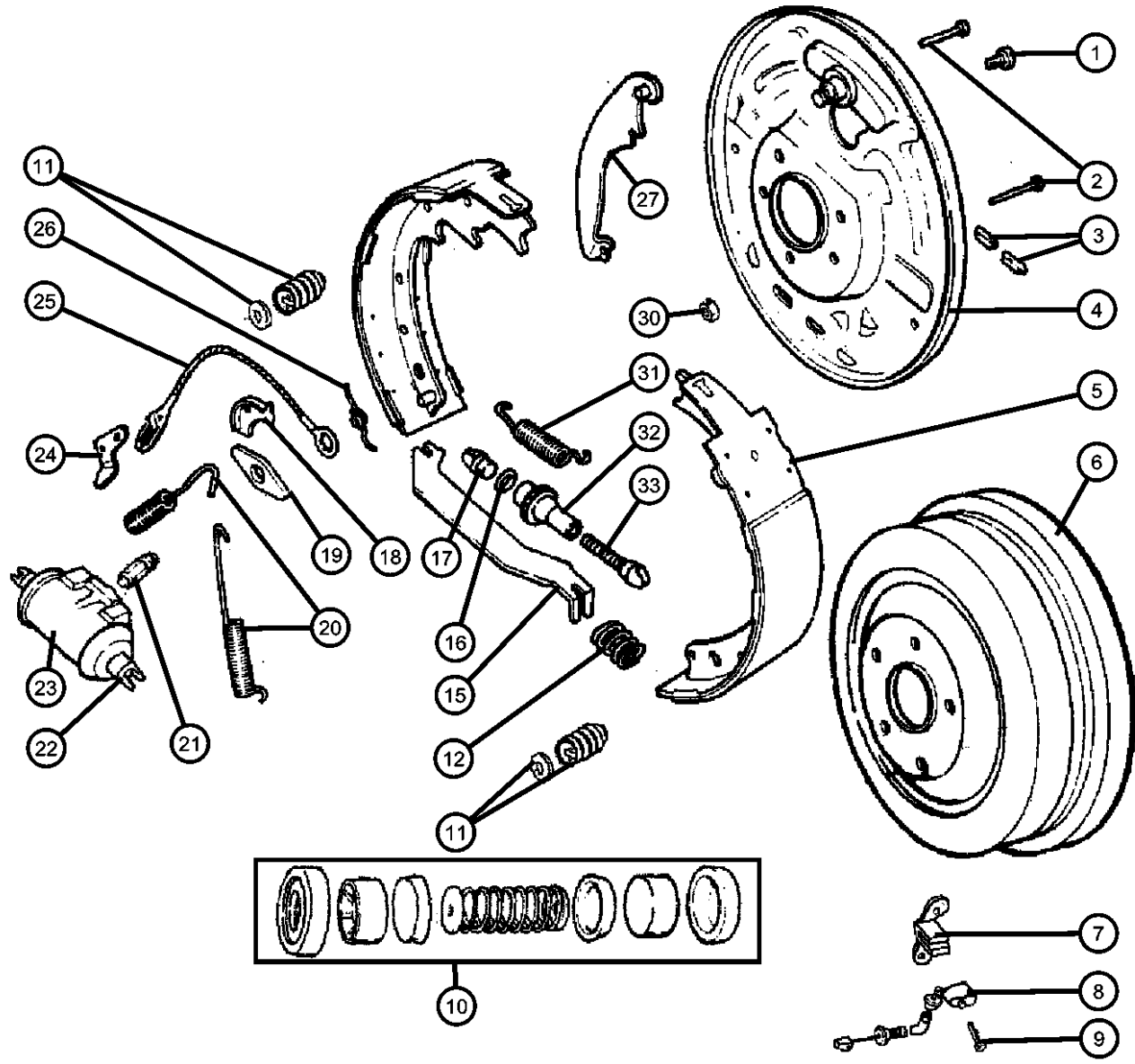


ITEM	PART NUMBER	QTY	LINE	SERIES	BODY	ENGINE	TRANS	TRIM	DESCRIPTION
9	83504920	2							BOLT, Abs Sensor, Mounting
10	83500987	1							REPAIR KIT, Wheel Cylinder
11	04746782	2							SPRING, Brake Shoe Hold Down
12	83504918	1							SPRING, Parking Brake Strut
-13	04713364	1							WASHER, Parking Brake Strut, Mounting
-14	04773762	1							CLIP, Park Brake StrutMounting
15									STRUT, Parking Brake
	04713366	1							Right
	04713367	1							Left
16	04746585	1							WASHER, Rear Brake Adjuster
17	04746586	1							SOCKET, Brake Adjusting
18	J3201947	1							GUIDE, Brake Adjusting Cable
19	02260788	1							PLATE, Brake Shoe Guide
20	J3112780	2							SPRING, Brake Shoe Return
21	J3203313	1							SCREW, Bleeder
22	J0048331	1							LINK, Brake Cylinder
23									CYLINDER, Wheel
	52000848	1							Right
	52000849	1							Left
24									LEVER, Park Brake Adjusting
	04728546	1							Right
	04728547	1							Left

CHEROKEE (XJ)				
SERIES	LINE	BODY	ENGINE	TRANSMISSION
L = LOWLINE	B = JEEP - 2WD (RHD) U = JEEP - 4WD (RHD) T = LHD - (2WD) J = JEEP - - LHD (4WD)	72 = 2DR (101.4 WB) 74 = 4 DR (101.4 WB)	ENC = 2.5L 4 Cyl Turbo Diesel Engine EPE = Engine - 2.5L Power Tech I-4 Cyl. ERH = 4.0L Power Tech I-6 Engine ENO = Engines - ALL 4/5 CYL Turbo Diesel ERO = Engines - All 4.0L 6 Cyl Gas EPO = ENGINES - ALL 2.5L 4 CYL GAS	DCB = Transmission - 4-Speed Manual,T3340 DDQ = 5-Speed Manual Transmission DDX = 5-Speed HD Manual Transmission DGD = 3-Spd. Automatic 30RH Transmission DGK = 4-Spd. Automatic 42RE Transmission DGS = 4-Speed Automatic AW4 Transmission DGT = 4-Spd. Automatic 46RE Transmission DGW = TRANSMISSION - 4-SPD. AUTOMATIC,44RE DGX = 4-Speed Automatic Transmission DGY = No Description Available DGZ = Transmission- 4-Spd. Automatic,MT643 DBB = ALL MANUAL TRANSMISSIONS DGO = TRANSMISSIONS - ALL AUTOMATIC

AR = use ase required - = Non illustrated part

Brakes,Rear,10 Inches X 1 3/4 Inches,[AHB]
Figure 5-220

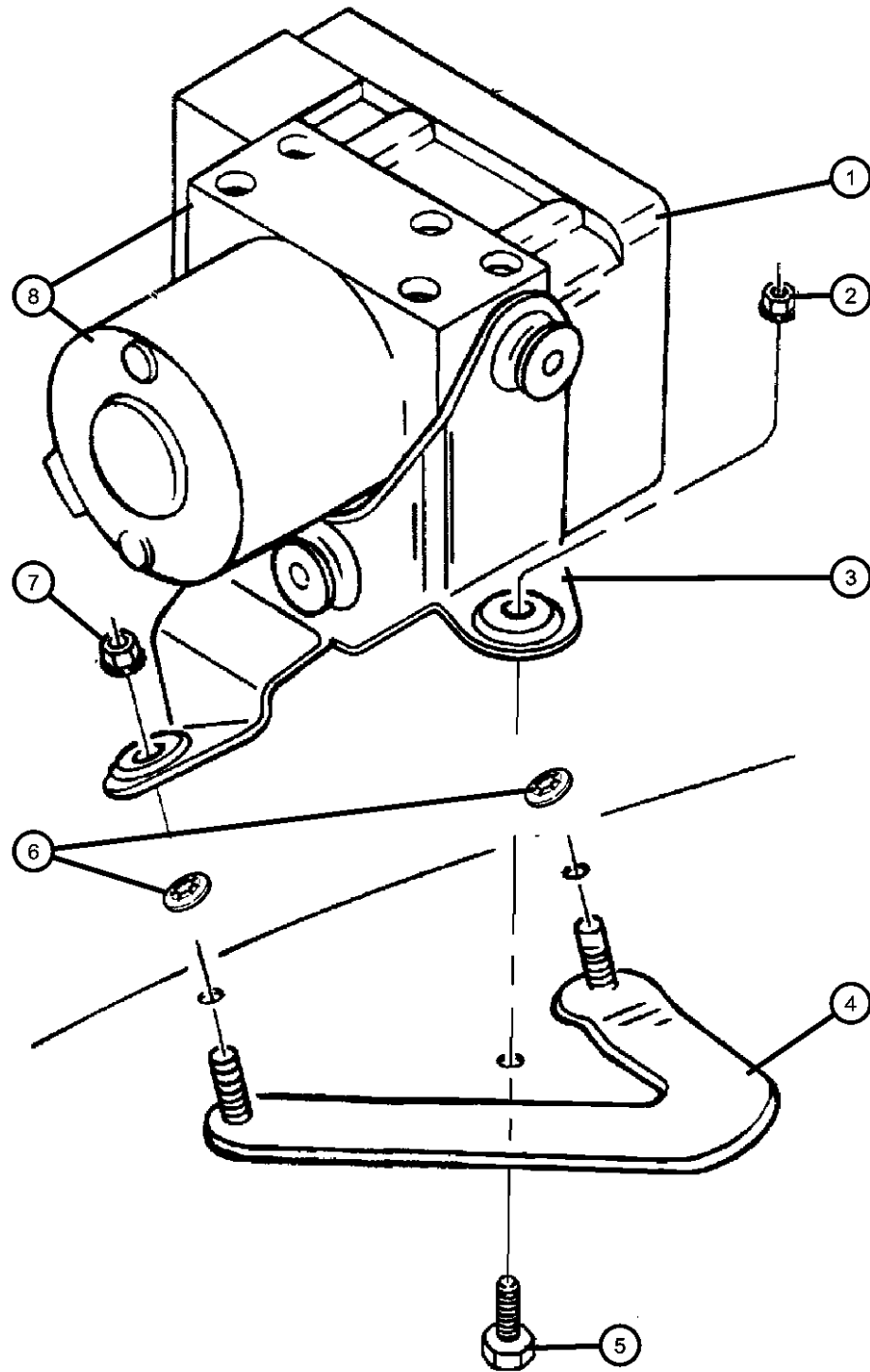


ITEM	PART NUMBER	QTY	LINE	SERIES	BODY	ENGINE	TRANS	TRIM	DESCRIPTION
25	04713350	1							CABLE, Brake Automatic Adjuster
26	04746582	1							SPRING, Auto Adjusting Right
	04746583	1							Left
27	04713362	1							LEVER, Park Brake Right
	04713363	1							Left
-28	83502900	1							WASHER, Parking Brake LeverMounting
-29	J3108202	1							RETAINER, Parking Brake LeverMounting
30	J9411783	8							NUT, Backing Plate to Axle Housing, Mounting
31	04746588	1							SPRING, Brake Shoe to Shoe
32	02944692	1							NUT, Rear Brake Auto Adjust Pivot Right
	02944693	1							Left
33	02881686	1							SCREW, Brake Adjusting Right
	02881687	1							Left

CHEROKEE (XJ)		BODY		ENGINE		TRANSMISSION	
SERIES	LINE	72 = 2DR (101.4 WB)		ENC = 2.5L 4 Cyl Turbo Diesel Engine	DCB = Transmission - 4-Speed Manual,T3340		
L = LOWLINE	B = JEEP - 2WD (RHD)	74 = 4 DR (101.4 WB)		EPE = Engine - 2.5L Power Tech I-4 Cyl.	DDQ = 5-Speed Manual Transmission		
	U = JEEP - 4WD (RHD)			ERH = 4.0L Power Tech I-6 Engine	DDX = 5-Speed HD Manual Transmission		
	T = LHD - (2WD)			ENO = Engines - ALL 4/5 CYL Turbo Diesel	DGD = 3-Spd. Automatic 30RH Transmission		
	J = JEEP - - LHD (4WD)			ERO = Engines - All 4.0L 6 Cyl Gas	DGK = 4-Spd. Automatic 42RE Transmission		
				EPO = ENGINES - ALL 2.5L 4 CYL GAS	DGS = 4-Speed Automatic AW4 Transmission		
					DGT = 4-Spd. Automatic 46RE Transmission		
					DGW = TRANSMISSION - 4-SPD. AUTOMATIC,44RE		
					DGX = 4-Speed Automatic Transmission		
					DGY = No Description Available		
					DGZ = Transmission- 4-Spd. Automatic,MT643		
					DBB = ALL MANUAL TRANSMISSIONS		
					DG0 = TRANSMISSIONS - ALL AUTOMATIC		

AR = use ase required - = Non illustrated part

**Hydraulic Control Unit
Figure 5-410**



ITEM	PART NUMBER	QTY	LINE	SERIES	BODY	ENGINE	TRANS	TRIM	DESCRIPTION
1	56027931AB	1							MODULE, Anti-lock Brakes Up to 12-19-97
	56027931AC	1							From 12-20-97
2	06503445	1							NUT, HCU to Wheelhouse, Mounting
3	52127929	1							BRACKET, Hydraulic Control Unit
4	52008230	1							STUD PLATE, Hydraulic Control Unit
5	06101453	1							SCREW AND WASHER, Hex Head, M8x1.25x30, HCU to Wheelhouse, Mounting
6	06100841	2							PUSH NUT, M8, Hold Stud Plate to Wheelhouse
7	34201711	2							NUT, Hex Flange, M8x1.25, HCU to Wheelhouse, Mounting
8	52009137	1							CONTROL UNIT, Anti-Lock Brake

CHEROKEE (XJ)

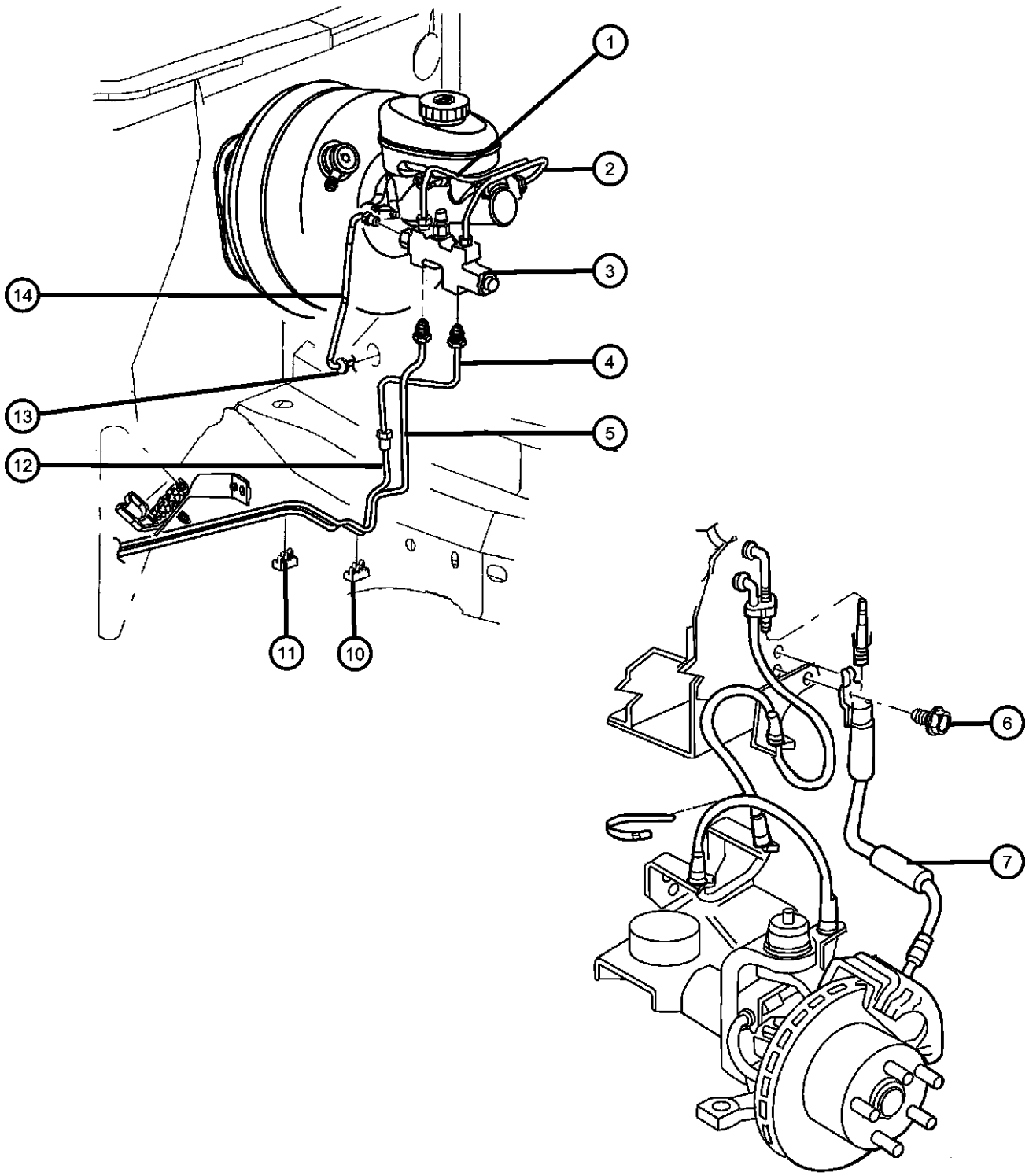
SERIES	LINE
L = LOWLINE	B = JEEP - 2WD (RHD) U = JEEP - 4WD (RHD) T = LHD - (2WD) J = JEEP - - LHD (4WD)

BODY
72 = 2DR (101.4 WB) 74 = 4 DR (101.4 WB)

ENGINE	TRANSMISSION
ENC = 2.5L 4 Cyl Turbo Diesel Engine	DCB = Transmission - 4-Speed Manual, T3340
EPE = Engine - 2.5L Power Tech I-4 Cyl.	DDQ = 5-Speed Manual Transmission
ERH = 4.0L Power Tech I-6 Engine	DDX = 5-Speed HD Manual Transmission
ENO = Engines - ALL 4/5 CYL Turbo Diesel	DGD = 3-Spd. Automatic 30RH Transmission
ERO = Engines - All 4.0L 6 Cyl Gas	DGK = 4-Spd. Automatic 42RE Transmission
EPO = ENGINES - ALL 2.5L 4 CYL GAS	DGS = 4-Speed Automatic AW4 Transmission
	DGT = 4-Spd. Automatic 46RE Transmission
	DGW = TRANSMISSION - 4-SPD. AUTOMATIC, 44RE
	DGX = 4-Speed Automatic Transmission
	DGY = No Description Available
	DGZ = Transmission- 4-Spd. Automatic, MT643
	DBB = ALL MANUAL TRANSMISSIONS
	DG0 = TRANSMISSIONS - ALL AUTOMATIC

AR = use ase required - = Non illustrated part

**Brake Lines,Front,LHD Without Anti-Lock Brakes
Figure 5-510**



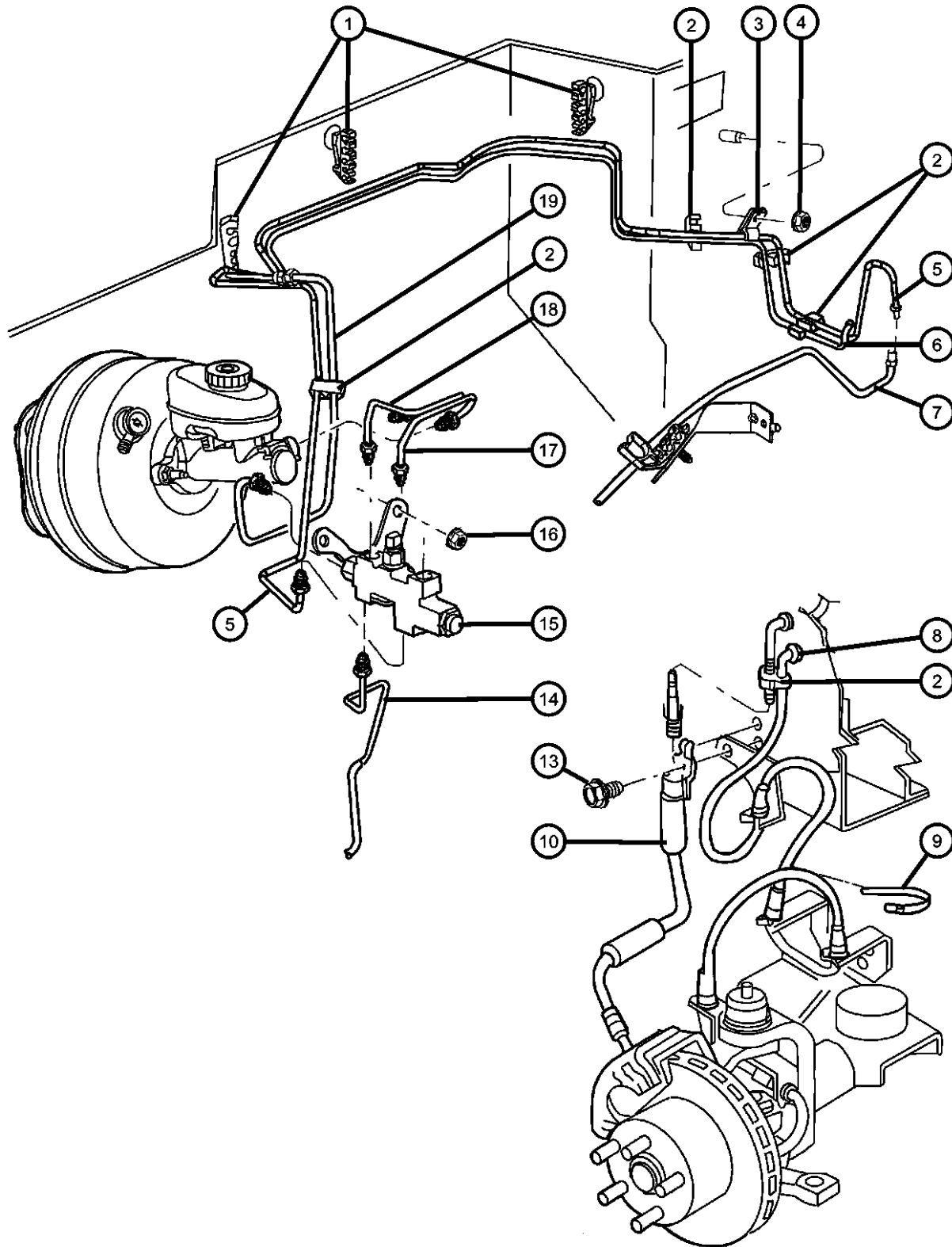
ITEM	PART NUMBER	QTY	LINE	SERIES	BODY	ENGINE	TRANS	TRIM	DESCRIPTION
1	52009069	1							TUBE, Brake, Master Cylinder to Proportioning Valve, Primary
2	52009074	1							TUBE, Brake, Master Cylinder to Proportioning Valve, Secondary
3	52129025	1							VALVE, Proportioning
4	52128170	1	J, T						TUBE, Brake, Proportioning Valve to Union
5	52127988AC	1	J, T						TUBE, Brake, Proportioning Valve to Brake Hose, Right
6	06502711	2							BOLT, Brake Hose, Mounting
7									HOSE, Brake
	52008674	1							Right
	52008675	1							Left
-8	J4006700	2							BOLT, Banjo, Brake Hose to Caliper, Mounting
-9	J3237672	4							GASKET, Brake Hose To CaliperMounting
10	52008940	5	J, T						CLIP, Brake LineMounting
11	34202688	2							CLIP, Latch&Line
12	52127967	1							TUBE, Brake, Union to Brake Hose, Rear
13	J3126237	2							GROMMET, Front Brake TubeMounting
14	52128381	1	J, T						TUBE, Brake, Proportioning Valve to Brake Hose, Left

CHEROKEE (XJ)

SERIES	LINE	BODY	ENGINE	TRANSMISSION
L = LOWLINE	B = JEEP - 2WD (RHD) U = JEEP - 4WD (RHD) T = LHD - (2WD) J = JEEP - - LHD (4WD)	72 = 2DR (101.4 WB) 74 = 4 DR (101.4 WB)	ENC = 2.5L 4 Cyl Turbo Diesel Engine EPE = Engine - 2.5L Power Tech I-4 Cyl. ERH = 4.0L Power Tech I-6 Engine ENO = Engines - ALL 4/5 CYL Turbo Diesel ERO = Engines - All 4.0L 6 Cyl Gas EPO = ENGINES - ALL 2.5L 4 CYL GAS	DCB = Transmission - 4-Speed Manual,T3340 DDQ = 5-Speed Manual Transmission DDX = 5-Speed HD Manual Transmission DGD = 3-Spd. Automatic 30RH Transmission DGK = 4-Spd. Automatic 42RE Transmission DGS = 4-Speed Automatic AW4 Transmission DGT = 4-Spd. Automatic 46RE Transmission DGW = TRANSMISSION - 4-SPD. AUTOMATIC,44RE DGX = 4-Speed Automatic Transmission DGY = No Description Available DGZ = Transmission- 4-Spd. Automatic,MT643 DBB = ALL MANUAL TRANSMISSIONS DGO = TRANSMISSIONS - ALL AUTOMATIC

AR = use ase required - = Non illustrated part

**Brake Lines,Front,RHD,Without Anti-Lock Brakes
Figure 5-520**



ITEM	PART NUMBER	QTY	LINE	SERIES	BODY	ENGINE	TRANS	TRIM	DESCRIPTION
17	52009074	1							TUBE, Brake, Master Cylinder to Proportioning Valve, Secondary
18	52009069	1							TUBE, Brake, Master Cylinder to Proportioning Valve, Primary
19	52128321AA	1	B, U						TUBE, Brake, Proportioning Valve to Union

CHEROKEE (XJ)

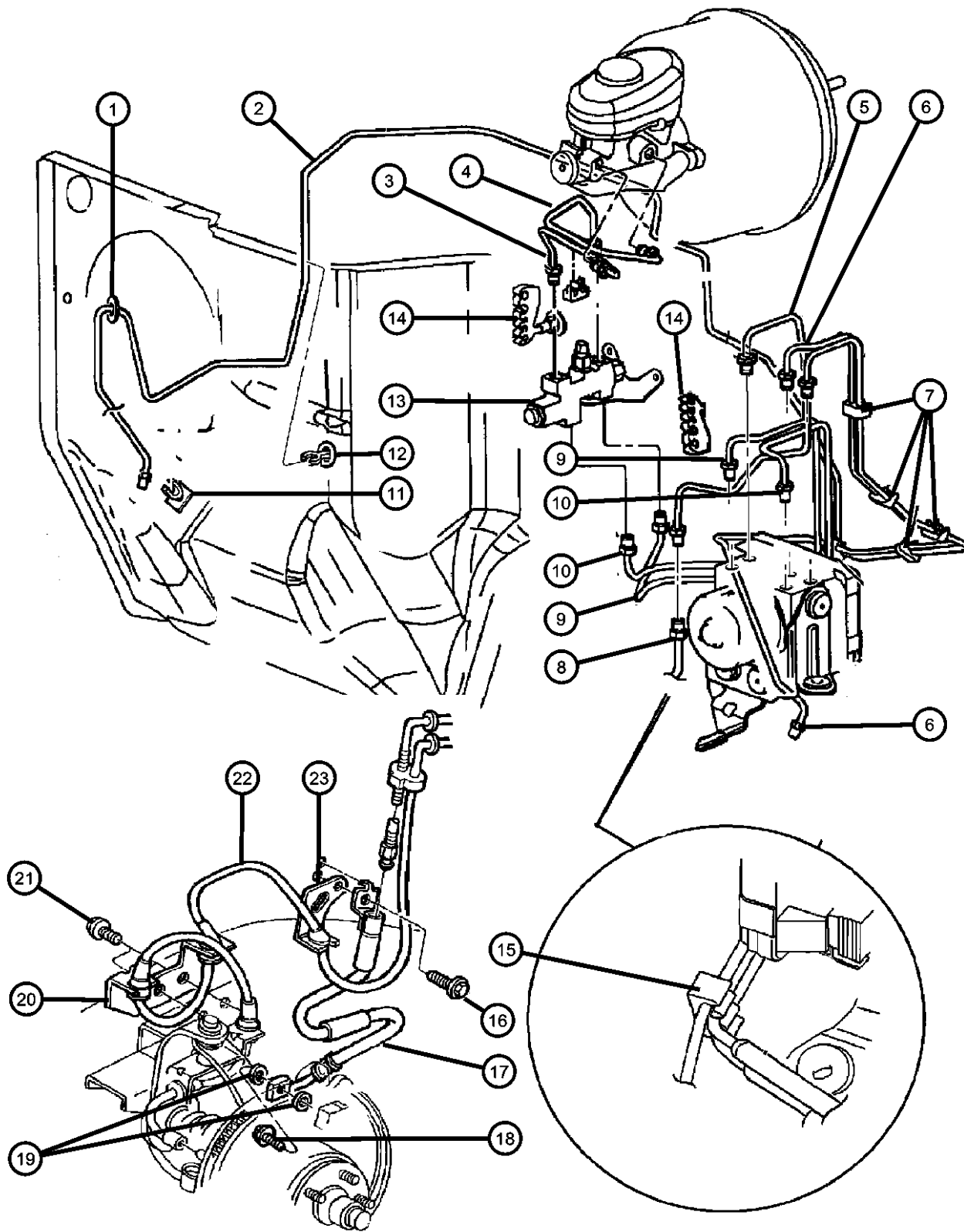
SERIES LINE
 L = LOWLINE B = JEEP - 2WD (RHD)
 U = JEEP - 4WD (RHD)
 T = LHD - (2WD)
 J = JEEP - - LHD (4WD)

BODY
 72 = 2DR (101.4 WB)
 74 = 4 DR (101.4 WB)

ENGINE TRANSMISSION
 ENC = 2.5L 4 Cyl Turbo Diesel Engine DCB = Transmission - 4-Speed Manual,T3340
 EPE = Engine - 2.5L Power Tech I-4 Cyl. DDQ = 5-Speed Manual Transmission
 ERH = 4.0L Power Tech I-6 Transmission DDX = 5-Speed HD Manual
 Engine DGD = 3-Spd. Automatic 30RH
 ENO = Engines - ALL 4/5 CYL Turbo Diesel Transmission
 ERO = Engines - All 4.0L 6 Cyl Gas DGK = 4-Spd. Automatic 42RE
 EP0 = ENGINES - ALL 2.5L 4 CYL GAS Transmission
 DGS = 4-Speed Automatic AW4
 DGT = 4-Spd. Automatic 46RE
 Transmission
 DGW = TRANSMISSION - 4-SPD. AUTOMATIC,44RE
 DGX = 4-Speed Automatic Transmission
 DGY = No Description Available
 DGZ = Transmission- 4-Spd. Automatic,MT643
 DBB = ALL MANUAL TRANSMISSIONS
 DGO = TRANSMISSIONS - ALL AUTOMATIC

AR = use ase required - = Non illustrated part

**Brake Lines,Front,LHD,RHD,With Anti-Lock Brakes
Figure 5-530**



ITEM	PART NUMBER	QTY	LINE	SERIES	BODY	ENGINE	TRANS	TRIM	DESCRIPTION
1	52127966	1							CLIP, Brake LineMounting
2									TUBE, Brake
	52009072AB	1	J, T						HCU to Brake Hose, Right
	52009078AB	1	B, U						HCU to Brake Hose, Right
3	52009074	1							TUBE, Brake, Master Cylinder to Proportioning Valve, Secondary
4	52009069	1							TUBE, Brake, Master Cylinder to Proportioning Valve, Primary
5	52009146	1							TUBE, Brake, HCU to Union, Rear
6									TUBE, Brake
	52009073	1	J, T						HCU to Brake Hose, Left
	52009079AB	1	B, U						HCU to Brake Hose, Left
7									CLIP, Brake Line
	52008940	5	B, U						2 Way, Mounting
		5	J, T						2 Way, Mounting
8	52127967	1							TUBE, Brake, Union to Brake Hose, Rear
9									TUBE, Brake
	52009067	1	J, T						Proportioning Valve to HCU, Primary
	52009075AB	1	B, U						Proportioning Valve to HCU, Primary
10									TUBE, Brake
	52009068	1	J, T						Proportioning Valve to HCU, Secondary
	52009076AC	1	B, U						Proportioning Valve to HCU, Secondary

CHEROKEE (XJ)

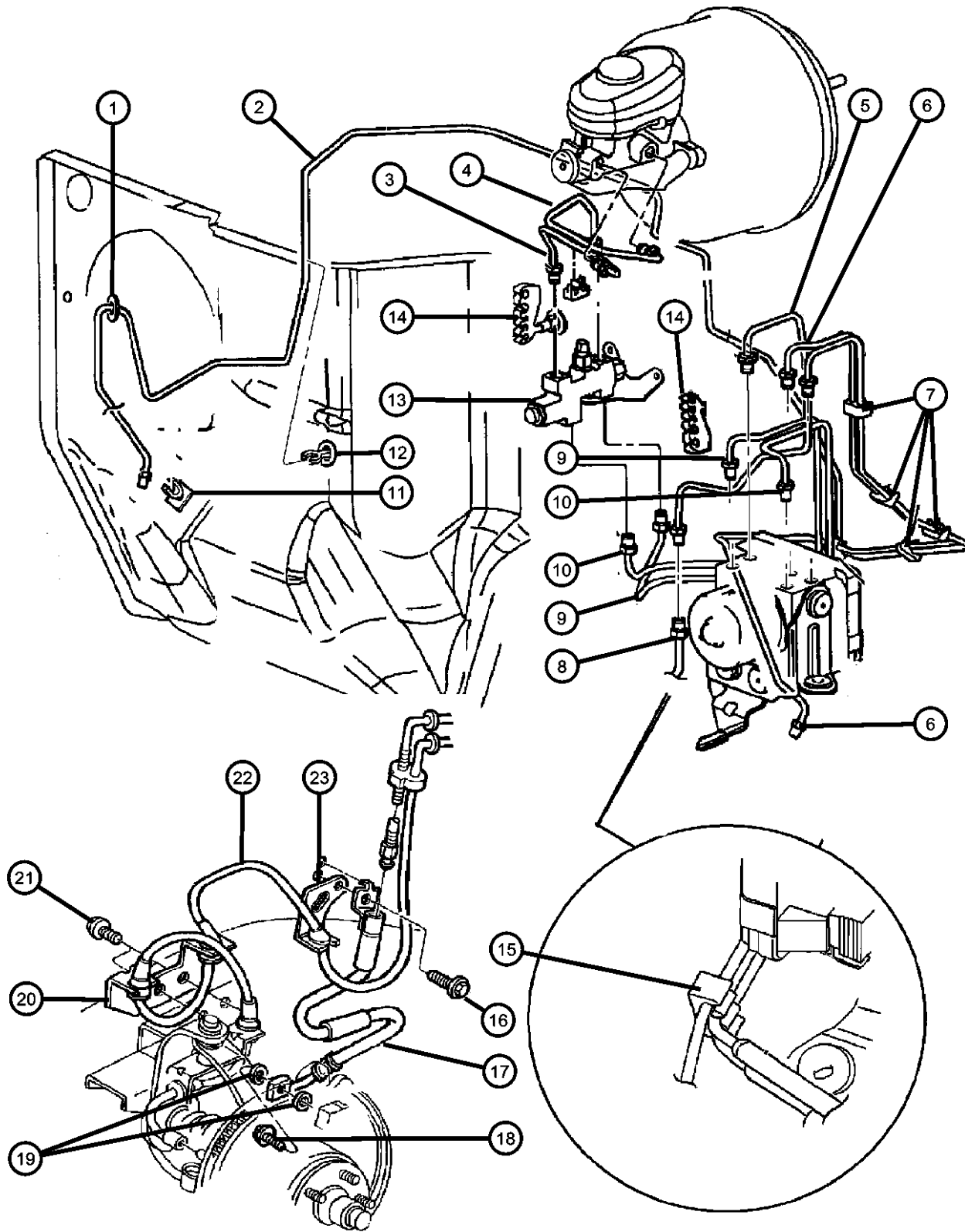
SERIES LINE
 L = LOWLINE B = JEEP - 2WD (RHD)
 U = JEEP - 4WD (RHD)
 T = LHD - (2WD)
 J = JEEP - - LHD (4WD)

BODY
 72 = 2DR (101.4 WB)
 74 = 4 DR (101.4 WB)

ENGINE TRANSMISSION
 ENC = 2.5L 4 Cyl Turbo Diesel Engine
 EPE = Engine - 2.5L Power Tech I-4 Cyl.
 ERH = 4.0L Power Tech I-6 Engine
 ENO = Engines - ALL 4/5 CYL Turbo Diesel
 ERO = Engines - All 4.0L 6 Cyl Gas
 EPO = ENGINES - ALL 2.5L 4 CYL GAS
 DCB = Transmission - 4-Speed Manual,T3340
 DDQ = 5-Speed Manual Transmission
 DDG = 5-Speed HD Manual Transmission
 DGD = 3-Spd. Automatic 30RH Transmission
 DGK = 4-Spd. Automatic 42RE Transmission
 DGS = 4-Speed Automatic AW4 Transmission
 DGT = 4-Spd. Automatic 46RE Transmission
 DGW = TRANSMISSION - 4-SPD. AUTOMATIC,44RE
 DGX = 4-Speed Automatic Transmission
 DGY = No Description Available
 DGZ = Transmission- 4-Spd. Automatic,MT643
 DBB = ALL MANUAL TRANSMISSIONS
 DGO = TRANSMISSIONS - ALL AUTOMATIC

AR = use ase required - = Non illustrated part

**Brake Lines,Front,LHD,RHD,With Anti-Lock Brakes
Figure 5-530**



ITEM	PART NUMBER	QTY	LINE	SERIES	BODY	ENGINE	TRANS	TRIM	DESCRIPTION
21	34201912	4							SCREW, Self Tapping, M6x1x14, Brake Sensor Bracket, Mounting
22	56005217	2	U						SENSOR, Anti-Lock Brakes
		2	J						
		2	T						
		2	B		74				
23	56026836	1							BRACKET, ABS Sensor
	56026837	1							Right
									Left

CHEROKEE (XJ)

SERIES

L = LOWLINE
 B = JEEP - 2WD (RHD)
 U = JEEP - 4WD (RHD)
 T = LHD - (2WD)
 J = JEEP - - LHD (4WD)

LINE

BODY

72 = 2DR (101.4 WB)
 74 = 4 DR (101.4 WB)

ENGINE

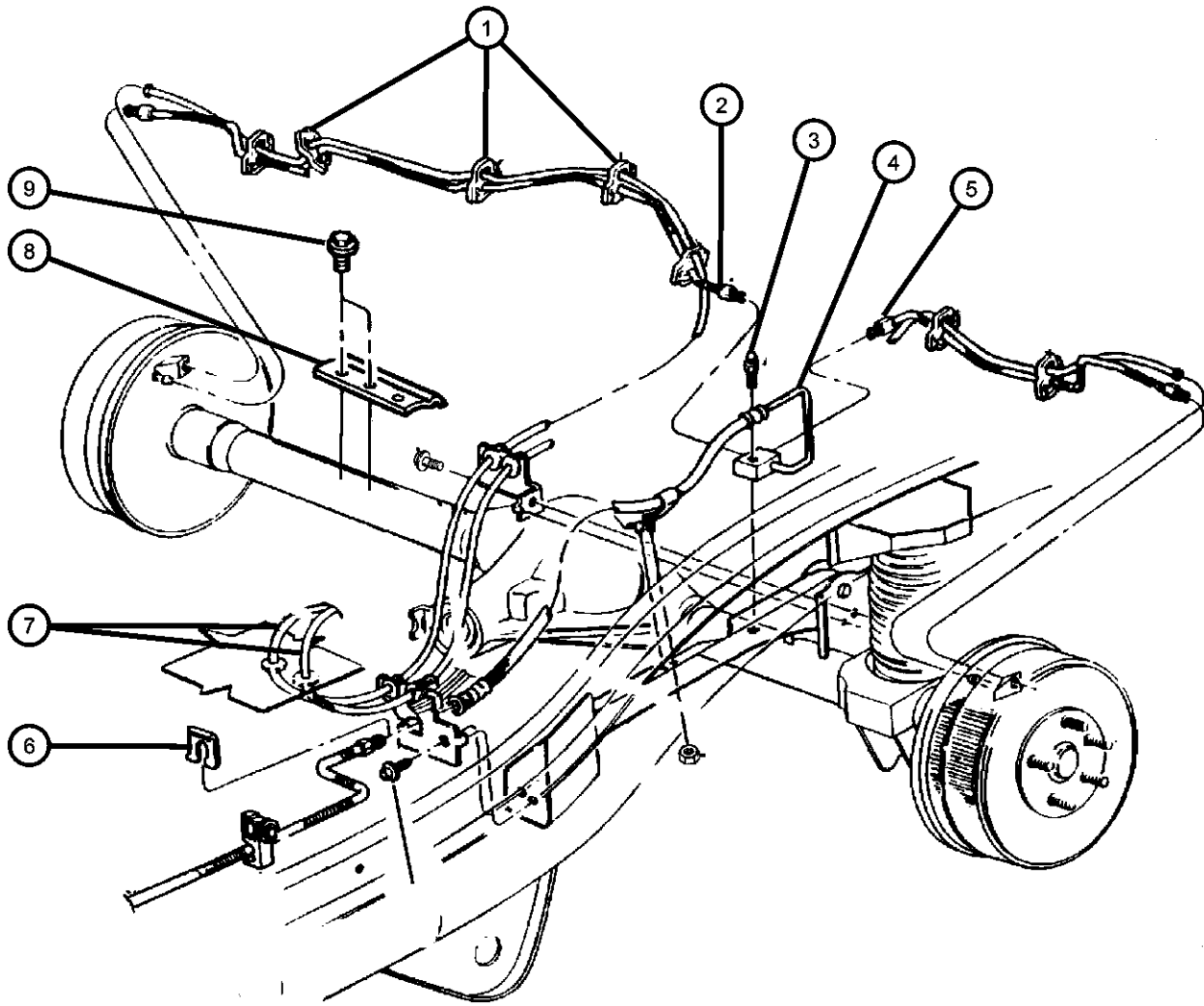
ENC = 2.5L 4 Cyl Turbo Diesel Engine
 EPE = Engine - 2.5L Power Tech I-4 Cyl.
 ERH = 4.0L Power Tech I-6 Engine
 ENO = Engines - ALL 4/5 CYL Turbo Diesel
 ERO = Engines - All 4.0L 6 Cyl Gas
 EPO = ENGINES - ALL 2.5L 4 CYL GAS

TRANSMISSION

DCB = Transmission - 4-Speed Manual,T3340
 DDQ = 5-Speed Manual Transmission
 DDX = 5-Speed HD Manual Transmission
 DGD = 3-Spd. Automatic 30RH Transmission
 DGK = 4-Spd. Automatic 42RE Transmission
 DGS = 4-Speed Automatic AW4 Transmission
 DGT = 4-Spd. Automatic 46RE Transmission
 DGW = TRANSMISSION - 4-SPD. AUTOMATIC,44RE
 DGX = 4-Speed Automatic Transmission
 DGY = No Description Available
 DGZ = Transmission- 4-Spd. Automatic,MT643
 DBB = ALL MANUAL TRANSMISSIONS
 DGO = TRANSMISSIONS - ALL AUTOMATIC

AR = use ase required - = Non illustrated part

**Brake Lines and Hoses,Rear
Figure 5-540**



ITEM	PART NUMBER	QTY	LINE	SERIES	BODY	ENGINE	TRANS	TRIM	DESCRIPTION
------	-------------	-----	------	--------	------	--------	-------	------	-------------

Note:Sales Codes:
 [AHB]=Police Group
 [DRA]=Axle - Rear,Corporate 8.25
 [DRJ]=Axle - Rear,Dana M35/194MM
 [DRM]=Axle - Rear,Dana 35C/194MM

1	56026775	10							CLIP, Tube To Speed Sensor
2									TUBE, Brake
	52128264AB	1							[DRJ,DRM,AHB], Right
	52129022	1							[DRA], Right
	52130024	1							[DRJ,DRM], Right
3	52067508	1							BOLT, Axle Vent
4	52007562	1							HOSE, BrakeRear
5									TUBE, Brake
	52128265AB	1							[DRJ,DRM,AHB], Left
	52129023	1							[DRA], Left
	52130025	1							[DRJ,DRM], Left
6	02208893	1							LOCK, Brake Hose
7									SENSOR, Anti-Lock Brakes
	52005932	1							Right
	52005933	1							Left
8	52007800	1							CLIP, Brake Tube
9	34201912	4							SCREW, Self Tapping, M6x1x14

CHEROKEE (XJ)

SERIES LINE
 L = LOWLINE B = JEEP - 2WD (RHD)
 U = JEEP - 4WD (RHD)
 T = LHD - (2WD)
 J = JEEP - - LHD (4WD)

BODY
 72 = 2DR (101.4 WB)
 74 = 4 DR (101.4 WB)

ENGINE TRANSMISSION
 ENC = 2.5L 4 Cyl Turbo Diesel Engine DCB = Transmission - 4-Speed Manual,T3340
 EPE = Engine - 2.5L Power Tech I-4 Cyl. DDQ = 5-Speed Manual Transmission
 ERH = 4.0L Power Tech I-6 Transmission DDG = 5-Speed HD Manual Transmission
 Engine DGD = 3-Spd. Automatic 30RH Transmission
 ENO = Engines - ALL 4/5 CYL Turbo Diesel DGK = 4-Spd. Automatic 42RE Transmission
 ERO = Engines - All 4.0L 6 Cyl Gas DGS = 4-Speed Automatic AW4 Transmission
 EPO = ENGINES - ALL 2.5L 4 CYL GAS DGT = 4-Spd. Automatic 46RE Transmission
 DGW = TRANSMISSION - 4-SPD. AUTOMATIC,44RE
 DGX = 4-Speed Automatic Transmission
 DGY = No Description Available
 DGZ = Transmission- 4-Spd. Automatic,MT643
 DBB = ALL MANUAL TRANSMISSIONS
 DGO = TRANSMISSIONS - ALL AUTOMATIC

AR = use ase required - = Non illustrated part

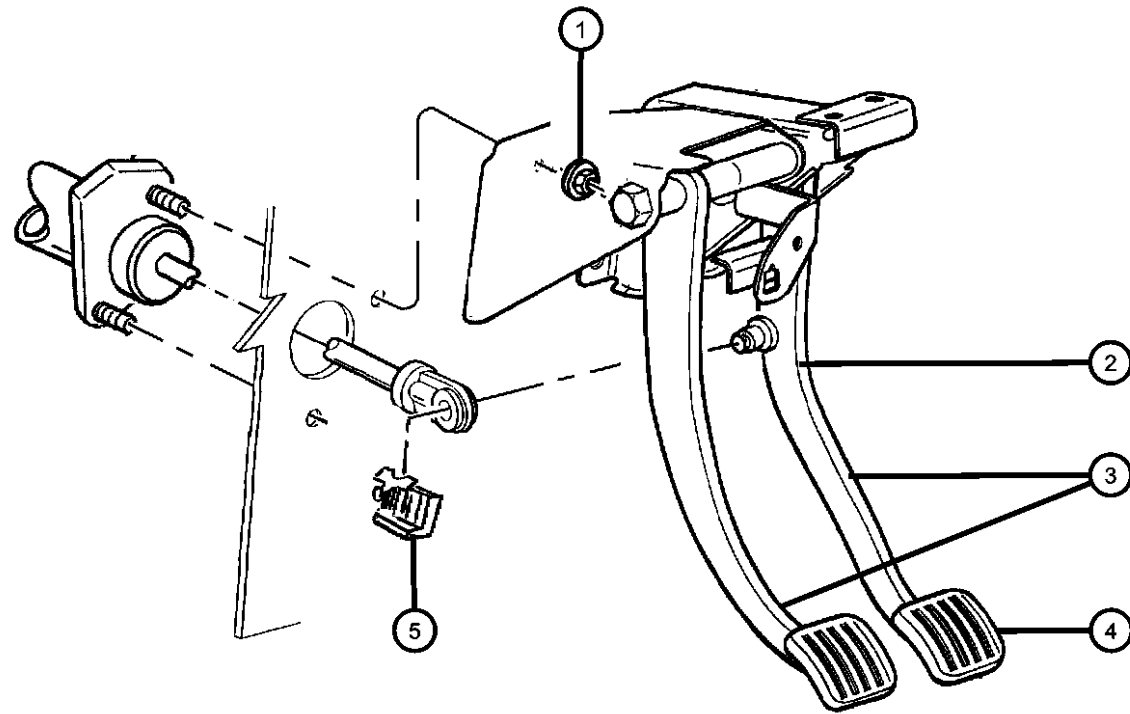
1998 XJ

**Brake Pedal
Figure 5-610**

ITEM	PART NUMBER	QTY	LINE	SERIES	BODY	ENGINE	TRANS	TRIM	DESCRIPTION
------	-------------	-----	------	--------	------	--------	-------	------	-------------

Note:DBB= All Manual Transmissions—DG0=All Automatic Transmissions

1	J4003909	4							NUT, Hex Flange With Serration
2									PEDAL, Brake
	52078848AC	1	B, U						[DG0]
	52129061AE	1	J, T						[DG0]
3									PEDAL, Brake And Clutch
	52079254AC	1	B, U						[DBB]
	52128075AD	1	J, T						[DBB]
4									PAD, Pedal
	52002750	1	J, T						[DBB]
		1	B, U						[DBB]
	52078540	1	J, T						[DG0]
		1	B, U						[DG0]
5	06035334	1							CLIP, Brake Push Rod



CHEROKEE (XJ)

SERIES LINE
 L = LOWLINE B = JEEP - 2WD (RHD)
 U = JEEP - 4WD (RHD)
 T = LHD - (2WD)
 J = JEEP - - LHD (4WD)

BODY
 72 = 2DR (101.4 WB)
 74 = 4 DR (101.4 WB)

ENGINE TRANSMISSION
 ENC = 2.5L 4 Cyl Turbo Diesel Engine DCB = Transmission - 4-Speed Manual,T3340
 EPE = Engine - 2.5L Power Tech I-4 Cyl. DDQ = 5-Speed Manual Transmission
 ERH = 4.0L Power Tech I-6 Engine DDX = 5-Speed HD Manual Transmission
 ENO = Engines - ALL 4/5 CYL Turbo Diesel DGD = 3-Spd. Automatic 30RH Transmission
 ERO = Engines - All 4.0L 6 Cyl Gas DGK = 4-Spd. Automatic 42RE Transmission
 EPO = ENGINES - ALL 2.5L 4 CYL GAS DGS = 4-Speed Automatic AW4 Transmission
 DGT = 4-Spd. Automatic 46RE Transmission
 DGW = TRANSMISSION - 4-SPD. AUTOMATIC,44RE
 DGX = 4-Speed Automatic Transmission
 DGY = No Description Available
 DGZ = Transmission- 4-Spd. Automatic,MT643
 DBB = ALL MANUAL TRANSMISSIONS
 DG0 = TRANSMISSIONS - ALL AUTOMATIC

AR = use ase required - = Non illustrated part

1998 XJ

Group - 6

Clutch

Group - 6 Clutch

Illustration Title

Group-Fig. No.

Clutch

Clutch Assembly Fig. 6 - 110

Clutch Housing

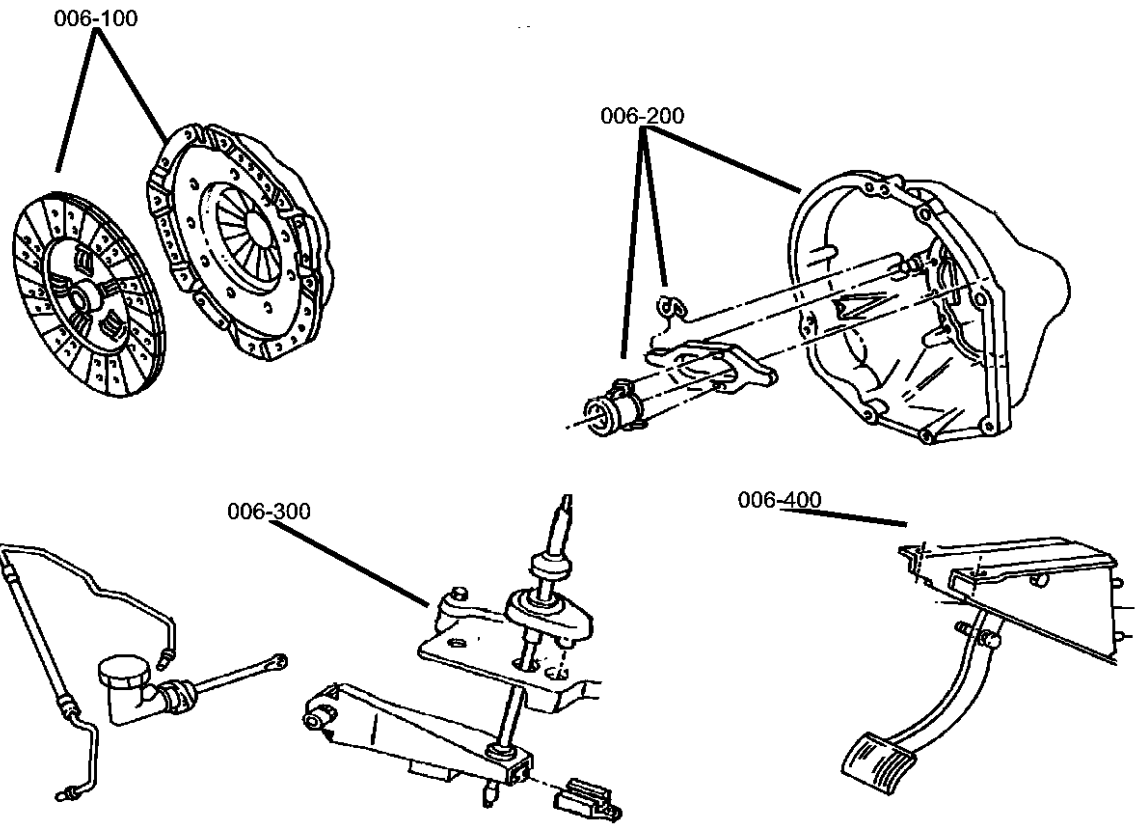
Clutch Housing and Pan Fig. 6 - 210

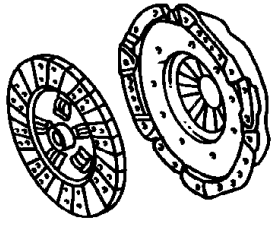
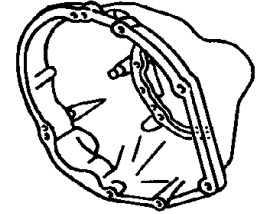
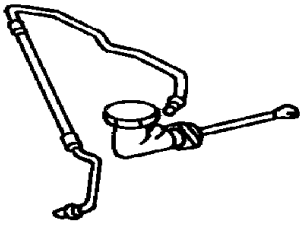
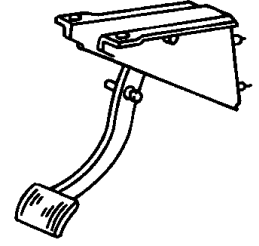
Clutch Controls

Controls,Hydraulic Clutch Fig. 6 - 310

Clutch Pedals

Pedal,Clutch Fig. 6 - 410

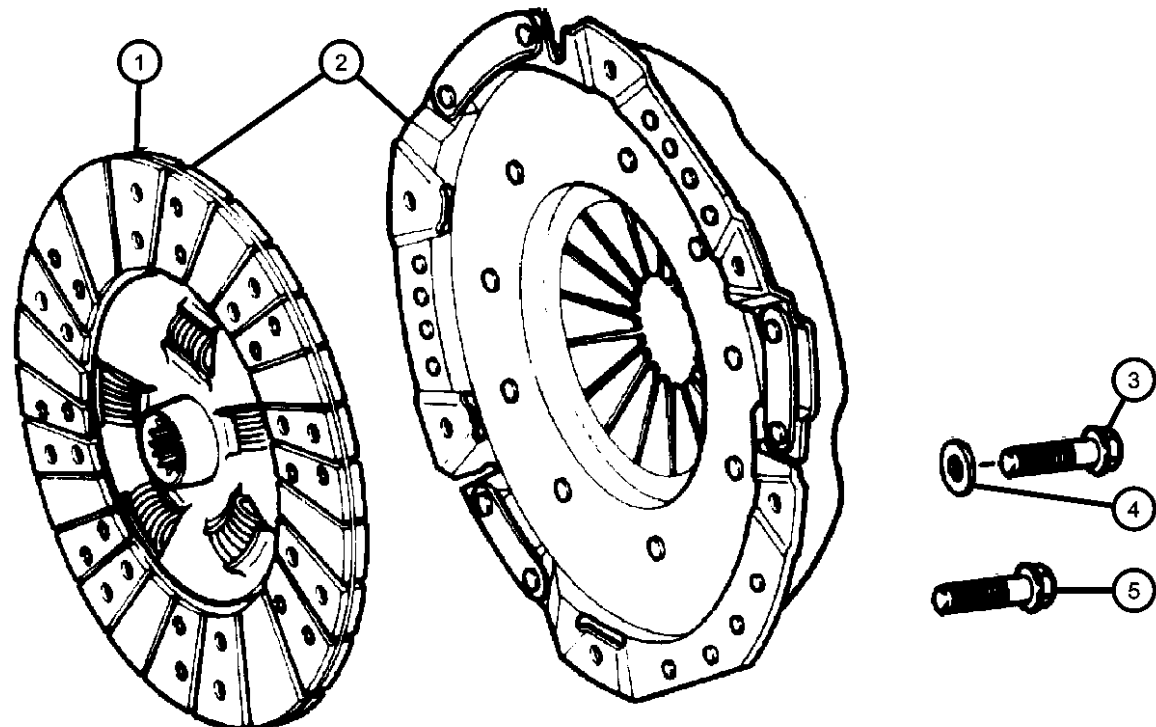


<p>006-100 Clutch</p> 	<p>006-200 Clutch Housing</p> 	<p>006-300 Clutch Controls</p> 	<p>006-400 Clutch Pedals</p> 
---	--	--	---

**Clutch Assembly
Figure 6-110**

ITEM	PART NUMBER	QTY	LINE	SERIES	BODY	ENGINE	TRANS	TRIM	DESCRIPTION
------	-------------	-----	------	--------	------	--------	-------	------	-------------

Notes:Sales Codes:
 [DBB]=All Manual Transmissions
 [DDQ]=5 Speed Manual Transmission
 [EN0]=All Turbo Diesel Engines
 [EP0]=All 2.5L 4 Cylinder Gas Engines
 [ER0]=All V6 Engines



1									DISC, Clutch
	52104044	1				EN0	DBB		
	53008259	1				ER0	DDQ		
2									CLUTCH KIT, Pressure Plate and Disc
	04864835	1				EN0	DBB		
	04874175	1				ER0	DDQ		
	52107570	1				EP0	DBB		
3	34201373	6				EP0	DBB		BOLT, Hex Head, M8x1.25x22, Pressure Plate to Flywheel, Mounting
4	11500221	6				EP0	DBB		WASHER, Flat, Pressure Plate to Flywheel, Mounting
5									BOLT, Hex Flange Head
	06035626	6				ER0	DBB		Pressure Plate to Flywheel, Mounting
		6				EN0	DBB		Pressure Plate to Flywheel, Mounting

CHEROKEE (XJ)

SERIES LINE
 L = LOWLINE B = JEEP - 2WD (RHD)
 U = JEEP - 4WD (RHD)
 T = LHD - (2WD)
 J = JEEP - - LHD (4WD)

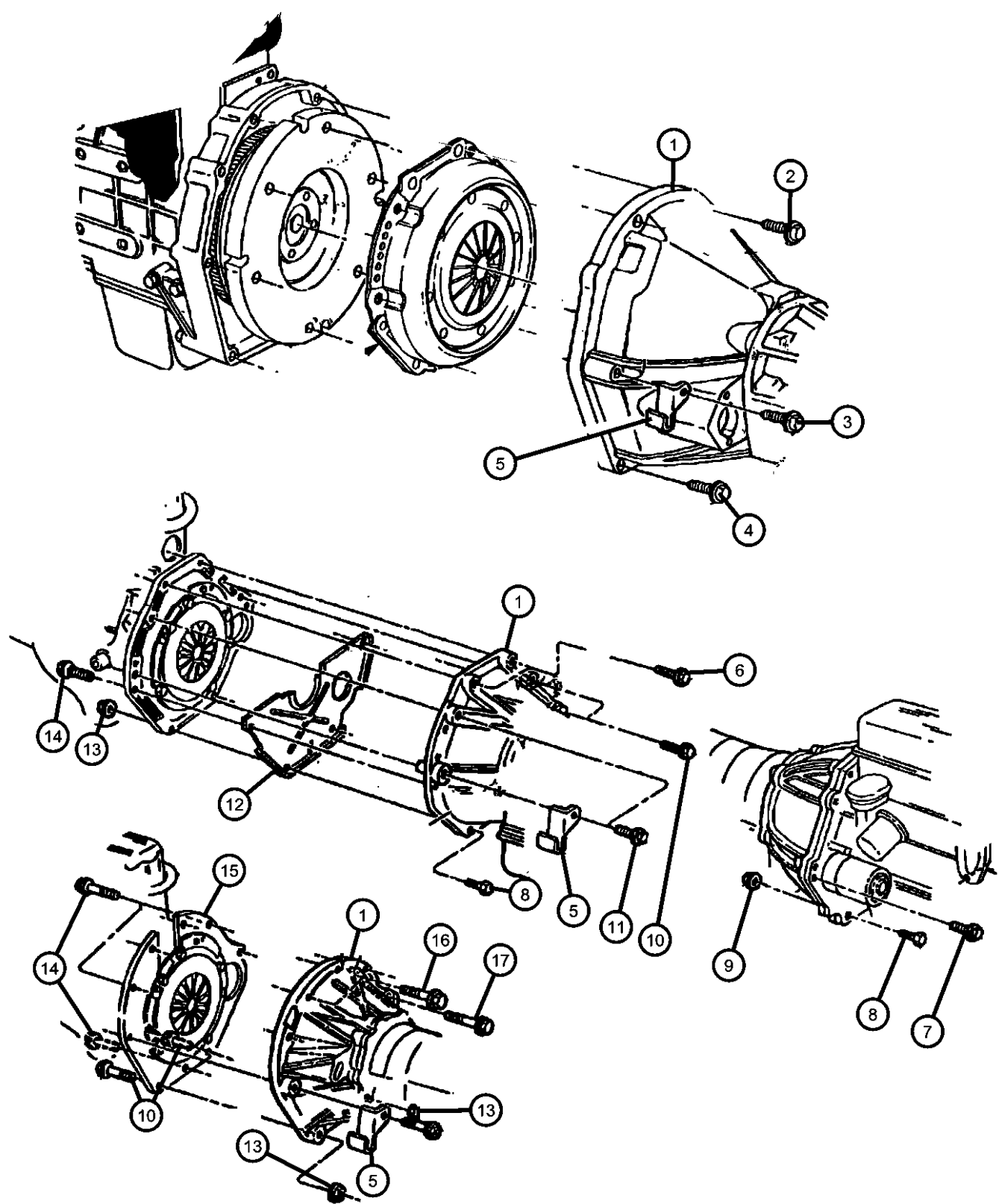
BODY
 72 = 2DR (101.4 WB)
 74 = 4 DR (101.4 WB)

ENGINE TRANSMISSION
 ENC = 2.5L 4 Cyl Turbo Diesel Engine DCB = Transmission - 4-Speed Manual,T3340
 EPE = Engine - 2.5L Power Tech I-4 Cyl. DDQ = 5-Speed Manual Transmission
 ERH = 4.0L Power Tech I-6 Transmission DDG = 5-Speed HD Manual Transmission
 Engine DGD = 3-Spd. Automatic 30RH Transmission
 ENO = Engines - ALL 4/5 CYL Turbo Diesel DGK = 4-Spd. Automatic 42RE Transmission
 ERO = Engines - All 4.0L 6 Cyl Gas DGS = 4-Speed Automatic AW4 Transmission
 EP0 = ENGINES - ALL 2.5L 4 CYL GAS DGT = 4-Spd. Automatic 46RE Transmission
 DGW = TRANSMISSION - 4-SPD. AUTOMATIC,44RE
 DGX = 4-Speed Automatic Transmission
 DGY = No Description Available
 DGZ = Transmission- 4-Spd. Automatic,MT643
 DBB = ALL MANUAL TRANSMISSIONS
 DG0 = TRANSMISSIONS - ALL AUTOMATIC

AR = use ase required - = Non illustrated part

1998 XJ

Clutch Housing and Pan Figure 6-210



ITEM	PART NUMBER	QTY	LINE	SERIES	BODY	ENGINE	TRANS	TRIM	DESCRIPTION
------	-------------	-----	------	--------	------	--------	-------	------	-------------

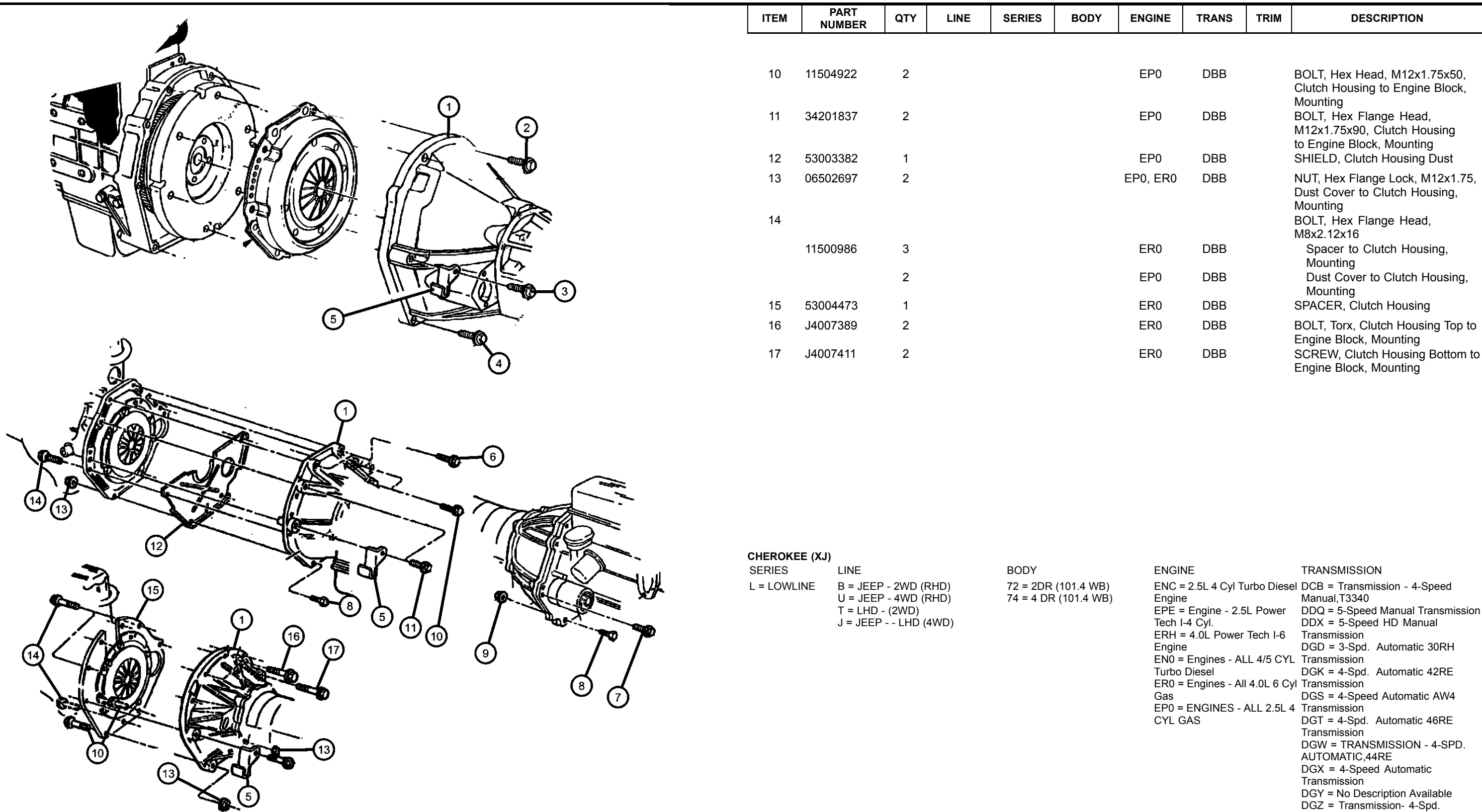
Notes: Sales Codes:
 [DBB]=All Manual Transmissions
 [DDQ]=5 Speed Manual Transmission
 [EN0]=All Turbo Diesel Engines
 [EP0]=All 2.5L 4 Cylinder Gas Engines
 [ER0]=All V6 Engines

1									HOUSING, Clutch
	52104000	1				EP0	DBB		
	52107552	1				EN0, ER0	DBB		
2	06034795	2				EN0	DBB		SCREW, Hex Head, .375-16x2.00, Clutch Housing to Spacer Plate, Mounting
3	06034795	2							SCREW, Hex Flange Head, (NOT SERVICED)
4	06100952	2				EN0	DBB		SCREW, Hex Head, M12-1.75x55, Clutch Housing to Spacer Plate, Mounting
5	52107595	1					DBB		BRACKET, Clutch Tube Mounting
6	06100345	2				EP0	DBB		SCREW AND WASHER, Hex Flange Head, M12x1.75x45, Clutch Housing to Engine Block, Mounting
7	11500986	2				EP0	DBB		BOLT, Hex Flange Head, M8x2.12x16, Clutch Housing to Engine Block, Mounting
8	11500986	2							SCREW, Hex Flange Head, M12x1.75x65, (NOT SERVICED)
9	06502697	2				EP0, ER0	DBB		NUT, Hex Flange Lock, M12x1.75, Dust Cover to Clutch Housing, Mounting

CHEROKEE (XJ)					
SERIES	LINE	BODY	ENGINE	TRANSMISSION	
L = LOWLINE	B = JEEP - 2WD (RHD) U = JEEP - 4WD (RHD) T = LHD - (2WD) J = JEEP - - LHD (4WD)	72 = 2DR (101.4 WB) 74 = 4 DR (101.4 WB)	ENC = 2.5L 4 Cyl Turbo Diesel Engine EPE = Engine - 2.5L Power Tech I-4 Cyl. ERH = 4.0L Power Tech I-6 Engine ENO = Engines - ALL 4/5 CYL Turbo Diesel ERO = Engines - All 4.0L 6 Cyl Gas EP0 = ENGINES - ALL 2.5L 4 CYL GAS	DCB = Transmission - 4-Speed Manual, T3340 DDQ = 5-Speed Manual Transmission DDX = 5-Speed HD Manual Transmission DGD = 3-Spd. Automatic 30RH Transmission DGK = 4-Spd. Automatic 42RE Transmission DGS = 4-Speed Automatic AW4 Transmission DGT = 4-Spd. Automatic 46RE Transmission DGW = TRANSMISSION - 4-SPD. AUTOMATIC, 44RE DGX = 4-Speed Automatic Transmission DGY = No Description Available DGZ = Transmission- 4-Spd. Automatic, MT643 DBB = ALL MANUAL TRANSMISSIONS DGO = TRANSMISSIONS - ALL AUTOMATIC	

AR = use ase required - = Non illustrated part

Clutch Housing and Pan
Figure 6-210

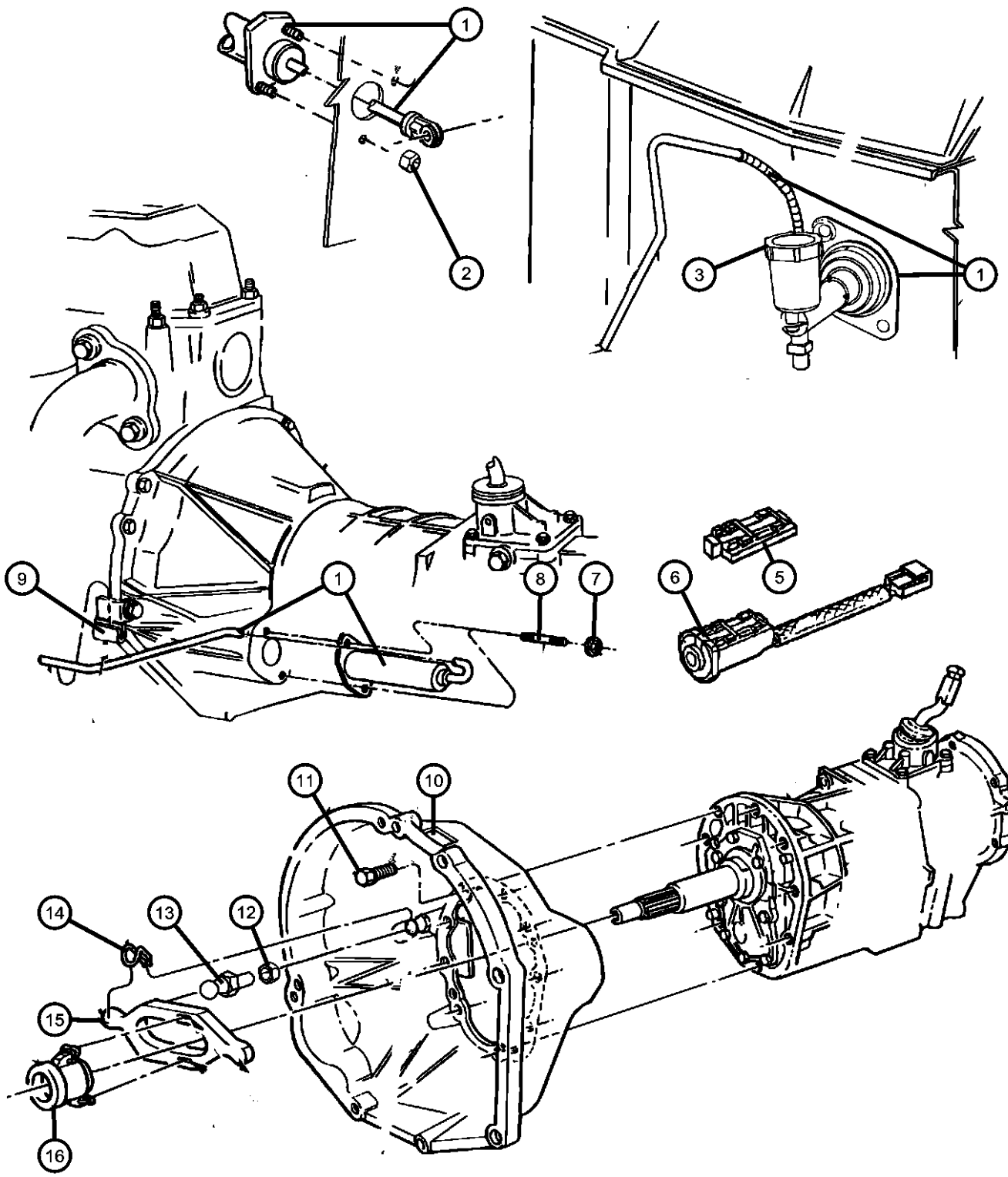


ITEM	PART NUMBER	QTY	LINE	SERIES	BODY	ENGINE	TRANS	TRIM	DESCRIPTION
10	11504922	2				EP0	DBB		BOLT, Hex Head, M12x1.75x50, Clutch Housing to Engine Block, Mounting
11	34201837	2				EP0	DBB		BOLT, Hex Flange Head, M12x1.75x90, Clutch Housing to Engine Block, Mounting
12	53003382	1				EP0	DBB		SHIELD, Clutch Housing Dust
13	06502697	2				EP0, ERO	DBB		NUT, Hex Flange Lock, M12x1.75, Dust Cover to Clutch Housing, Mounting
14									BOLT, Hex Flange Head, M8x2.12x16
	11500986	3				ER0	DBB		Spacer to Clutch Housing, Mounting
		2				EP0	DBB		Dust Cover to Clutch Housing, Mounting
15	53004473	1				ER0	DBB		SPACER, Clutch Housing
16	J4007389	2				ER0	DBB		BOLT, Torx, Clutch Housing Top to Engine Block, Mounting
17	J4007411	2				ER0	DBB		SCREW, Clutch Housing Bottom to Engine Block, Mounting

CHEROKEE (XJ)
 SERIES LINE BODY ENGINE TRANSMISSION
 L = LOWLINE B = JEEP - 2WD (RHD) 72 = 2DR (101.4 WB) ENC = 2.5L 4 Cyl Turbo Diesel DCB = Transmission - 4-Speed Manual,T3340
 U = JEEP - 4WD (RHD) 74 = 4 DR (101.4 WB) EPE = Engine - 2.5L Power Tech I-4 Cyl. DDQ = 5-Speed Manual Transmission
 T = LHD - (2WD) ERH = 4.0L Power Tech I-6 Engine DDG = 5-Speed HD Manual Transmission
 J = JEEP - - LHD (4WD) ENO = Engines - ALL 4/5 CYL Turbo Diesel DGD = 3-Spd. Automatic 30RH Transmission
 ERO = Engines - All 4.0L 6 Cyl Gas DGK = 4-Spd. Automatic 42RE Transmission
 EP0 = ENGINES - ALL 2.5L 4 CYL GAS DGS = 4-Speed Automatic AW4 Transmission
 DGT = 4-Spd. Automatic 46RE Transmission
 DGW = TRANSMISSION - 4-SPD. AUTOMATIC,44RE
 DGX = 4-Speed Automatic Transmission
 DGY = No Description Available
 DGZ = Transmission- 4-Spd. Automatic,MT643
 DBB = ALL MANUAL TRANSMISSIONS
 DGO = TRANSMISSIONS - ALL AUTOMATIC

AR = use ase required - = Non illustrated part

Controls,Hydraulic Clutch
Figure 6-310



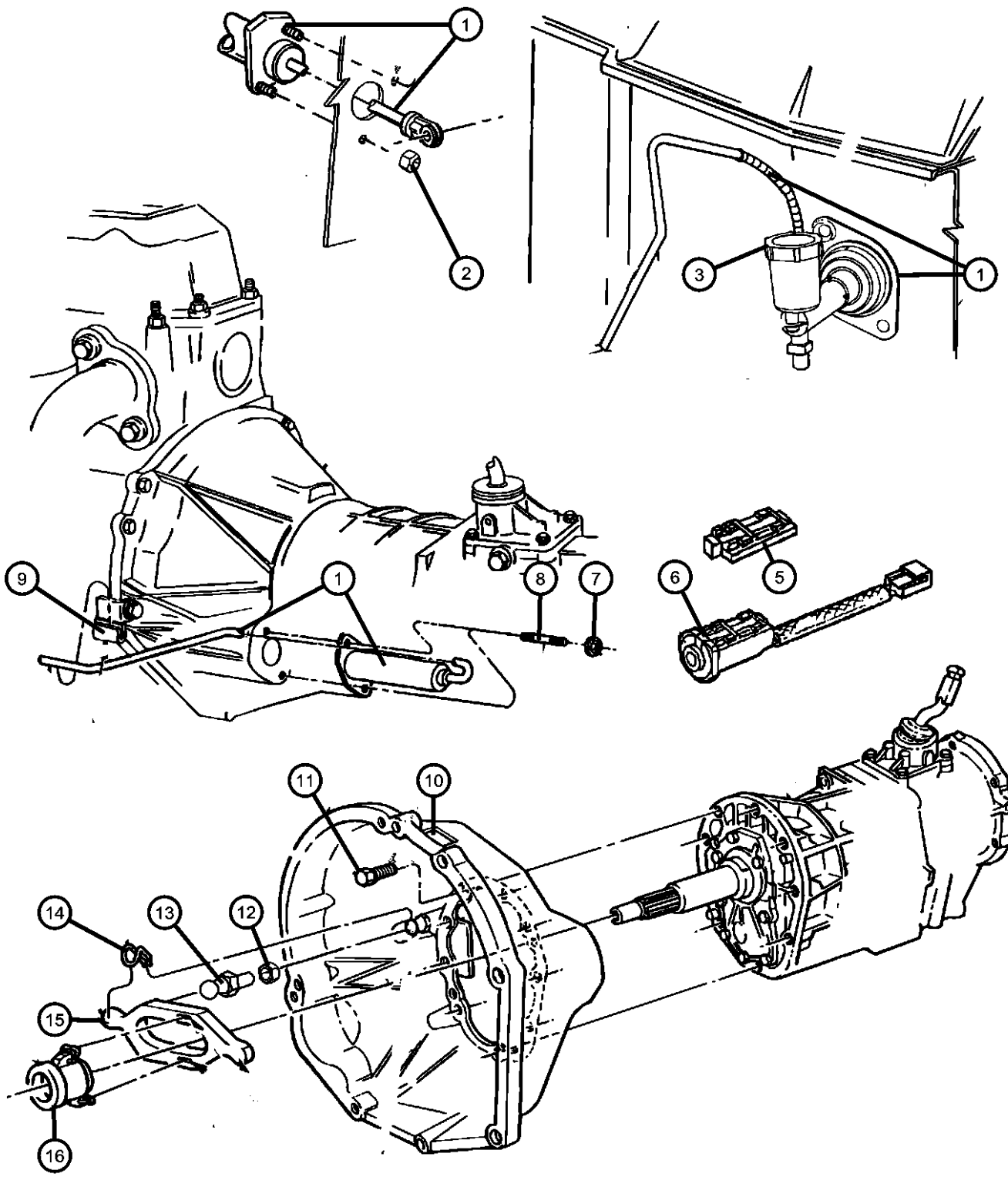
ITEM	PART NUMBER	QTY	LINE	SERIES	BODY	ENGINE	TRANS	TRIM	DESCRIPTION
1	52107654AB	1	J, T				DBB		HYDRAULIC CONTROL, Clutch Actuator
	52107655AB	1	B, U			EP0, ER0	DBB		
	52107657AB	1	U			EN0	DBB		
2	J4003909	2					DBB		NUT, Hex Flange With Serration, Clutch Master Cylinder to Dash, Mounting CAP, Clutch Reservoir
3	04883544AA	1	U			EN0	DBB		
		1	J, T				DBB		
		1	B, U			EP0, ER0	DBB		DIAPHRAGM, Clutch Reservoir
4	05015607AA	1	J, T				DBB		
		1	B, U			EP0, ER0	DBB		
		1	U			EN0	DBB		COVER, Switch
5	05015960AA	1	J, T				DBB		
		1	B, U			EP0, ER0	DBB		
		1	U			EN0	DBB		

Notes:Sales Codes:
[DBB]=All Manual Transmissions
[DDQ]=5 Speed Manual Transmission
[EN0]=All Turbo Diesel Engines
[EP0]=All 2.5L 4 Cylinder Gas Engines
[ER0]=All V6 Engines

CHEROKEE (XJ)				
SERIES	LINE	BODY	ENGINE	TRANSMISSION
L = LOWLINE	B = JEEP - 2WD (RHD) U = JEEP - 4WD (RHD) T = LHD - (2WD) J = JEEP - - LHD (4WD)	72 = 2DR (101.4 WB) 74 = 4 DR (101.4 WB)	ENC = 2.5L 4 Cyl Turbo Diesel Engine EPE = Engine - 2.5L Power Tech I-4 Cyl. ERH = 4.0L Power Tech I-6 Engine ENO = Engines - ALL 4/5 CYL Turbo Diesel ERO = Engines - All 4.0L 6 Cyl Gas EP0 = ENGINES - ALL 2.5L 4 CYL GAS	DCB = Transmission - 4-Speed Manual,T3340 DDQ = 5-Speed Manual Transmission DDX = 5-Speed HD Manual Transmission DGD = 3-Spd. Automatic 30RH Transmission DGK = 4-Spd. Automatic 42RE Transmission DGS = 4-Speed Automatic AW4 Transmission DGT = 4-Spd. Automatic 46RE Transmission DGW = TRANSMISSION - 4-SPD. AUTOMATIC,44RE DGX = 4-Speed Automatic Transmission DGY = No Description Available DGZ = Transmission- 4-Spd. Automatic,MT643 DBB = ALL MANUAL TRANSMISSIONS DGO = TRANSMISSIONS - ALL AUTOMATIC

AR = use ase required - = Non illustrated part

Controls,Hydraulic Clutch
Figure 6-310



ITEM	PART NUMBER	QTY	LINE	SERIES	BODY	ENGINE	TRANS	TRIM	DESCRIPTION
-17	34201633	1	J, T			EP0, ER0	DBB		CLIP, Tube, Hydraulic Line to Dash, Mounting
-18	52128060	3	B, U						CLIP, Five Way
		2	J, T						Brake Tube to Dash, Mounting
									Brake Tube to Dash, Mounting

CHEROKEE (XJ)					
SERIES	LINE	BODY	ENGINE	TRANSMISSION	
L = LOWLINE	B = JEEP - 2WD (RHD) U = JEEP - 4WD (RHD) T = LHD - (2WD) J = JEEP - - LHD (4WD)	72 = 2DR (101.4 WB) 74 = 4 DR (101.4 WB)	ENC = 2.5L 4 Cyl Turbo Diesel Engine EPE = Engine - 2.5L Power Tech I-4 Cyl. ERH = 4.0L Power Tech I-6 Engine ENO = Engines - ALL 4/5 CYL Turbo Diesel ERO = Engines - All 4.0L 6 Cyl Gas EP0 = ENGINES - ALL 2.5L 4 CYL GAS	DCB = Transmission - 4-Speed Manual,T3340 DDQ = 5-Speed Manual Transmission DDX = 5-Speed HD Manual Transmission DGD = 3-Spd. Automatic 30RH Transmission DGK = 4-Spd. Automatic 42RE Transmission DGS = 4-Speed Automatic AW4 Transmission DGT = 4-Spd. Automatic 46RE Transmission DGW = TRANSMISSION - 4-SPD. AUTOMATIC,44RE DGX = 4-Speed Automatic Transmission DGY = No Description Available DGZ = Transmission- 4-Spd. Automatic,MT643 DBB = ALL MANUAL TRANSMISSIONS DGO = TRANSMISSIONS - ALL AUTOMATIC	

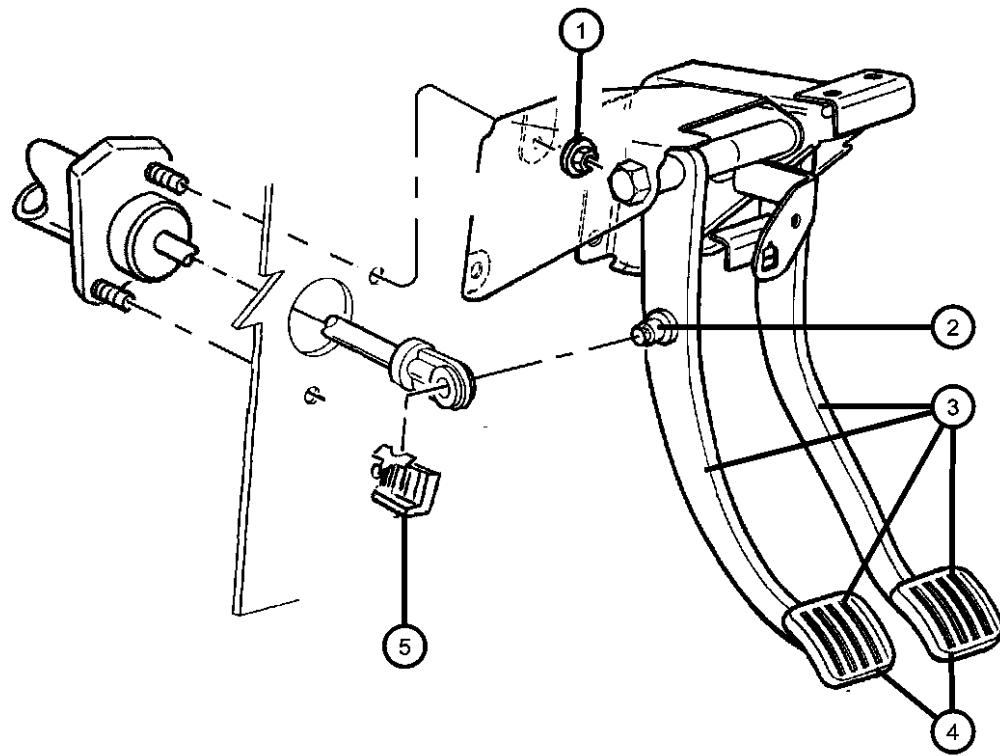
AR = use ase required - = Non illustrated part

Pedal,Clutch
Figure 6-410

ITEM	PART NUMBER	QTY	LINE	SERIES	BODY	ENGINE	TRANS	TRIM	DESCRIPTION
------	-------------	-----	------	--------	------	--------	-------	------	-------------

Notes:Sales Codes:
 [DBB]=All Manual Transmissions
 [DDQ]=5 Speed Manual Transmission
 [EN0]=All Turbo Diesel Engines
 [EP0]=All 2.5L 4 Cylinder Gas Engines
 [ER0]=All V6 Engines

1	J4003909	2					DBB		NUT, Hex Flange With Serration, Pedal Support Bracket, Mounting
2	04446361	1							BUSHING, Hydraulic Clutch Actuator, Clutch Master Cylinder Push Rod, Mounting
3	52079254AC	1	B, U				DBB		PEDAL, Brake And Clutch
	52128075AD	1	J, T				DBB		
4	52002750	1	B, U				DBB		PAD, Pedal
		1	J, T				DBB		Clutch or Brake
5	06035334	1							CLIP, Clutch Master Cylinder Push Rod, Mounting



CHEROKEE (XJ)

SERIES LINE
 L = LOWLINE B = JEEP - 2WD (RHD)
 U = JEEP - 4WD (RHD)
 T = LHD - (2WD)
 J = JEEP - - LHD (4WD)

BODY
 72 = 2DR (101.4 WB)
 74 = 4 DR (101.4 WB)

ENGINE TRANSMISSION
 ENC = 2.5L 4 Cyl Turbo Diesel Engine DCB = Transmission - 4-Speed Manual,T3340
 EPE = Engine - 2.5L Power Tech I-4 Cyl. DDQ = 5-Speed Manual Transmission
 ERH = 4.0L Power Tech I-6 Transmission DDX = 5-Speed HD Manual
 Engine DGD = 3-Spd. Automatic 30RH
 ENO = Engines - ALL 4/5 CYL Turbo Diesel Transmission
 ERO = Engines - All 4.0L 6 Cyl Gas DGK = 4-Spd. Automatic 42RE
 EP0 = ENGINES - ALL 2.5L 4 CYL GAS DGS = 4-Speed Automatic AW4
 Transmission DGT = 4-Spd. Automatic 46RE
 Transmission DGW = TRANSMISSION - 4-SPD. AUTOMATIC,44RE
 Transmission DGX = 4-Speed Automatic
 Transmission DGY = No Description Available
 Transmission DGZ = Transmission- 4-Spd. Automatic,MT643
 DBB = ALL MANUAL TRANSMISSIONS
 DG0 = TRANSMISSIONS - ALL AUTOMATIC

AR = use ase required - = Non illustrated part

1998 XJ

Group - 7

Cooling

Group - 7 Cooling

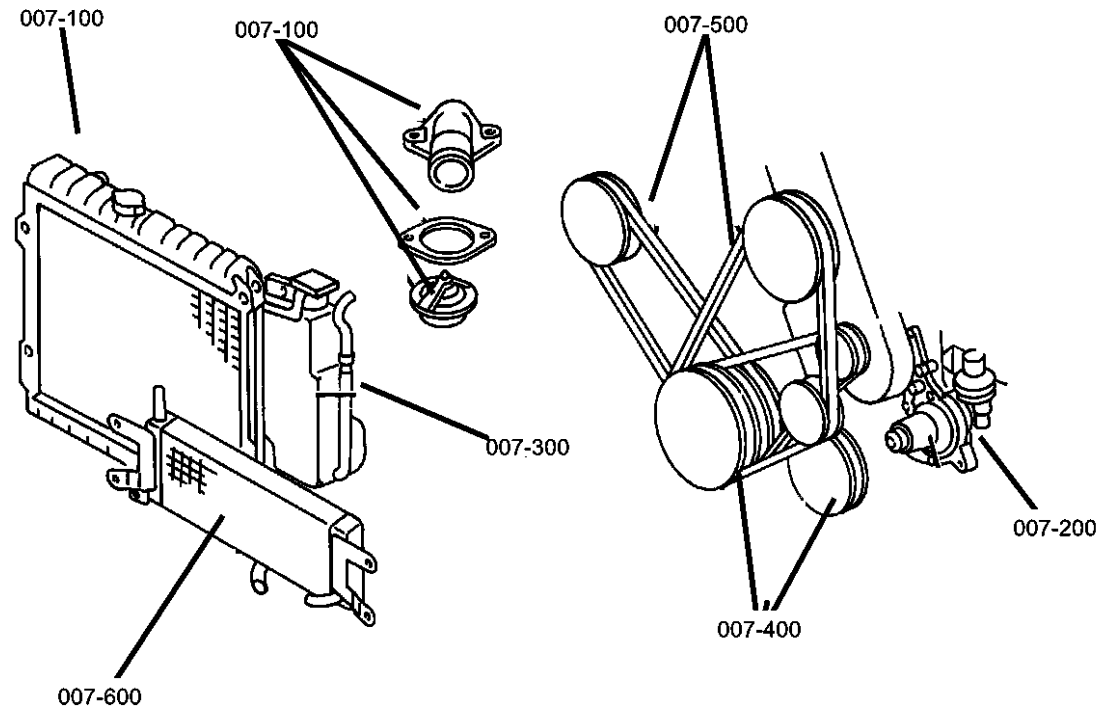


Illustration Title

Group-Fig. No.

Radiator and Related Parts

Radiator and Related Parts 4.0L Engine (ER0).....	Fig. 7 - 120
Radiator and Related Parts 2.5L Gas Engine (EP0)	Fig. 7 - 130
Radiator and Related Parts 2.5L Diesel (EN0).....	Fig. 7 - 145
Charge Air Cooler	Fig. 7 - 147

Water Pump and Related Parts

Water Pump and Related Parts 2.5,4.0L Gas Engines (EP0,ER0).....	Fig. 7 - 210
Water Pump and Water Manifold 2.5L Diesel Engine (EN0).....	Fig. 7 - 215

Tank, Coolant Engine

Bottle, Coolant Recovery	Fig. 7 - 305
Bottle, Coolant Recovery	Fig. 7 - 310

Pulleys and Related Parts

Drive Pulleys, 2.5L Gas Engine (EP0).....	Fig. 7 - 407
Drive Pulleys, 4.0L Engine (ER0), LHD	Fig. 7 - 408
Drive Pulleys, 4.0L Engine (ER0), RHD	Fig. 7 - 409
Drive Pulleys, 2.5L Diesel Engine (EN0)	Fig. 7 - 415

Drive Belts

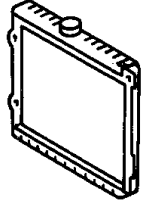
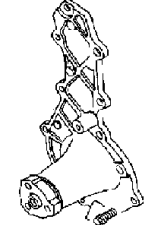
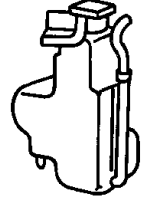
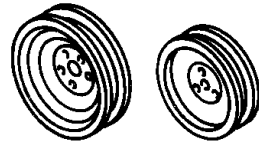
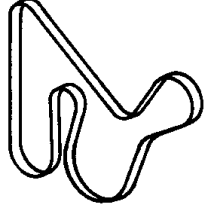
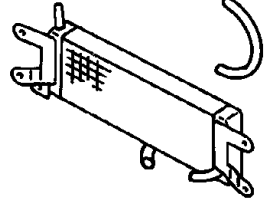
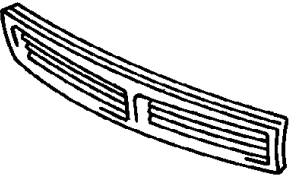
Drive Belts	Fig. 7 - 510
-------------------	--------------

Lines, Transmission Oil Cooler

Oil Cooler Lines, LHD.....	Fig. 7 - 610
Oil Cooler Lines, RHD	Fig. 7 - 620

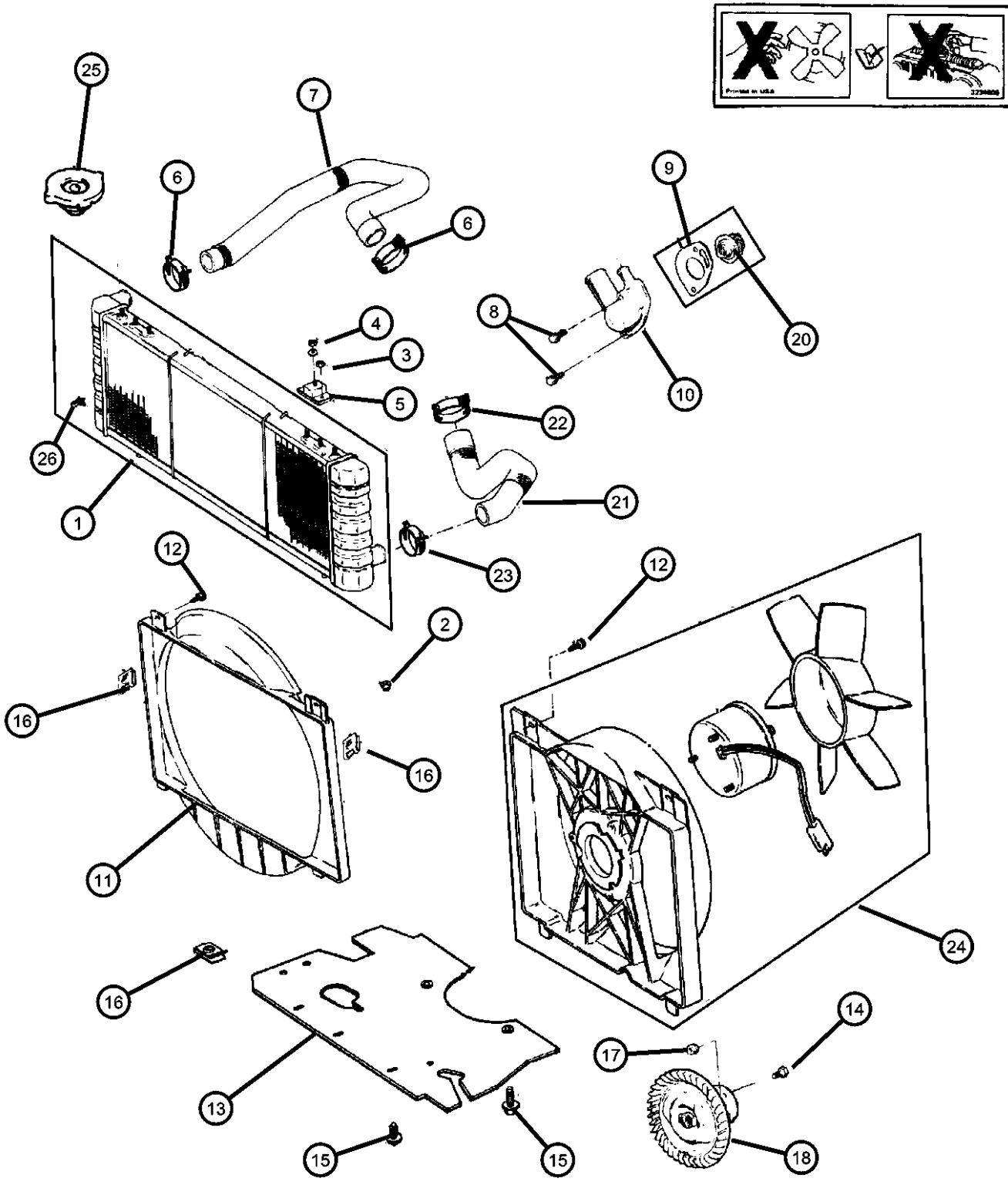
Grilles

Grille and Related Parts	Fig. 7 - 710
--------------------------------	--------------

<p>007-100 Radiator and Related Parts</p> 	<p>007-200 Water Pump and Related Parts</p> 	<p>007-300 Tank, Coolant Engine</p> 	<p>007-400 Pulleys and Related Parts</p> 
<p>007-500 Drive Belts</p> 	<p>007-600 Lines, Transmission Oil Cooler</p> 	<p>007-700 Grilles</p> 	

Radiator and Related Parts 4.0L Engine (ER0)

Figure 7-120



ITEM	PART NUMBER	QTY	LINE	SERIES	BODY	ENGINE	TRANS	TRIM	DESCRIPTION
------	-------------	-----	------	--------	------	--------	-------	------	-------------

Note: Sales Code DG0 = All Auto Trans
 Note: Sales Code DGB = Manual Trans

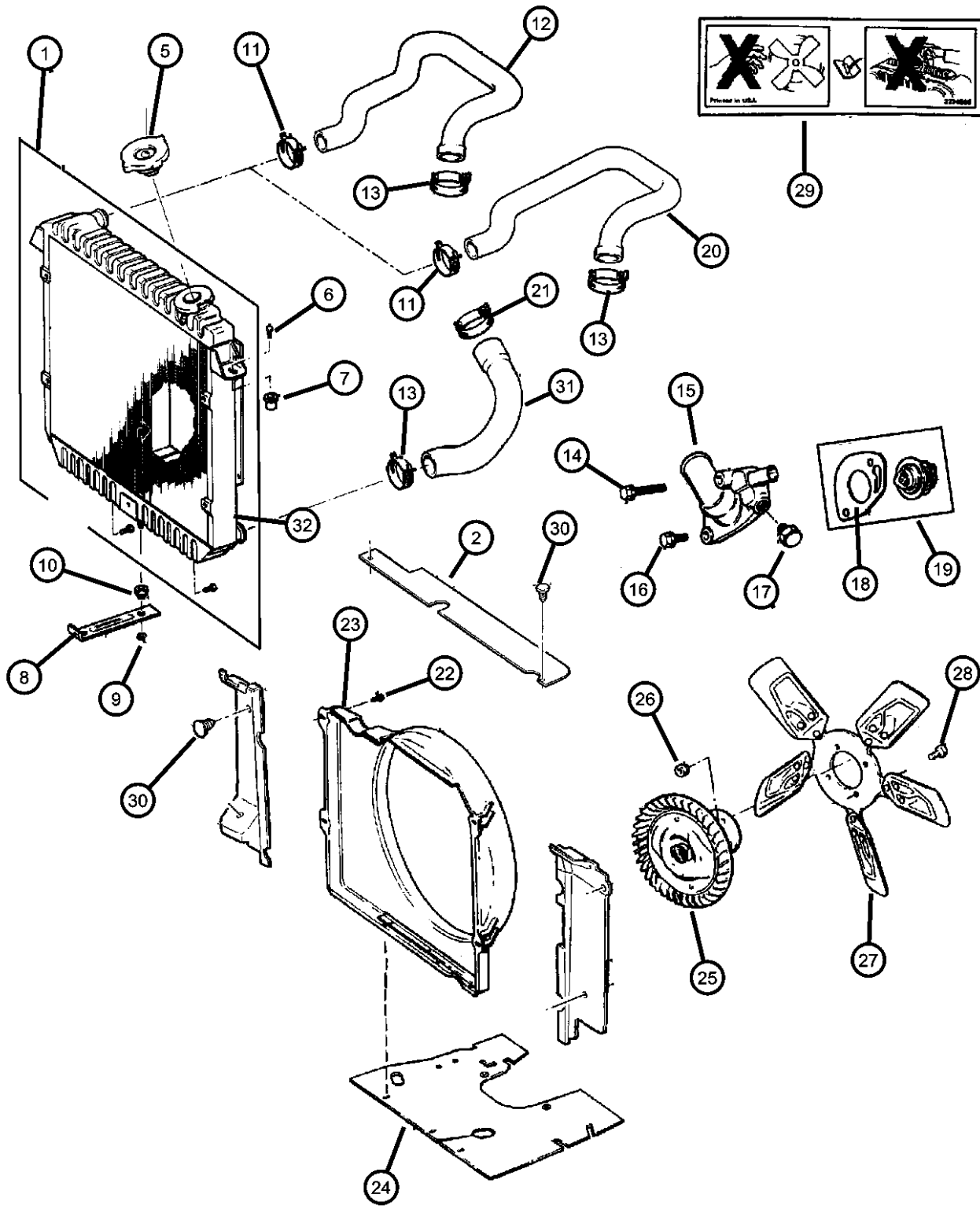
1									RADIATOR, Engine Cooling
	05012883AA	1	J, T			ER0	DG0		w/o Max Cooling
	05012884AA	1	J, T			ER0	DBB		w/o Max Cooling
	52028133	1	J, T			ER0	DBB		Copper Brass Middle East
		1	J, T			ER0	DG0		Copper Brass Middle East
	52028537	1	B, U			ER0	DG0		
	52028544	1	B, U			ER0	DBB		
	52079682AA	1	J, T			ER0	DG0		w/o Max. Cooling Aluminum
	52079693AB	1	J, T			ER0	DBB		w/o Max. Cooling Aluminum
	52080104AC	1	J, T			ER0	DG0		w/Max. Cooling Aluminum
	52080115AC	1	J, T			ER0	DBB		w/Max. Cooling Aluminum
2	52080115AC	1							GROMMET, Radiator, (NOT REQUIRED),
3	11502722	2				ER0			NUT, Hex Flange, M5x.8
4	11503745	2							NUT, Hex, M6x1
5	52002585	2				EN0, EP0, ER0			ISOLATOR, Radiator
6	32002983	1				EP0, ER0			CLAMP, Hose, 32mm Black
7	52028286AD	1				ER0			HOSE, Radiator Inlet
8	06034927	1				EP0, ER0			SCREW AND WASHER, Hex Head, .312-18x.970
9	53020547AB	1				EP0, ER0			GASKET, Thermostat
10	53006192	1				EP0, ER0			HOUSING, Thermostat

CHEROKEE (XJ)

SERIES	LINE	BODY	ENGINE	TRANSMISSION
L = LOWLINE	B = JEEP - 2WD (RHD) U = JEEP - 4WD (RHD) T = LHD - (2WD) J = JEEP - - LHD (4WD)	72 = 2DR (101.4 WB) 74 = 4 DR (101.4 WB)	ENC = 2.5L 4 Cyl Turbo Diesel Engine EPE = Engine - 2.5L Power Tech I-4 Cyl. ERH = 4.0L Power Tech I-6 Engine ENO = Engines - ALL 4/5 CYL Turbo Diesel ERO = Engines - All 4.0L 6 Cyl Gas EPO = ENGINES - ALL 2.5L 4 CYL GAS	DCB = Transmission - 4-Speed Manual, T3340 DDQ = 5-Speed Manual Transmission DDX = 5-Speed HD Manual Transmission DGD = 3-Spd. Automatic 30RH Transmission DGK = 4-Spd. Automatic 42RE Transmission DGS = 4-Speed Automatic AW4 Transmission DGT = 4-Spd. Automatic 46RE Transmission DGW = TRANSMISSION - 4-SPD. AUTOMATIC, 44RE DGX = 4-Speed Automatic Transmission DGY = No Description Available DGZ = Transmission- 4-Spd. Automatic, MT643 DBB = ALL MANUAL TRANSMISSIONS DG0 = TRANSMISSIONS - ALL AUTOMATIC

AR = use ase required - = Non illustrated part

Radiator and Related Parts 2.5L Gas Engine (EP0)
Figure 7-130



ITEM	PART NUMBER	QTY	LINE	SERIES	BODY	ENGINE	TRANS	TRIM	DESCRIPTION
------	-------------	-----	------	--------	------	--------	-------	------	-------------

Note: Sales Code DGB = Manual Trans
 Note: Sales Code DG0 = All Auto Trans

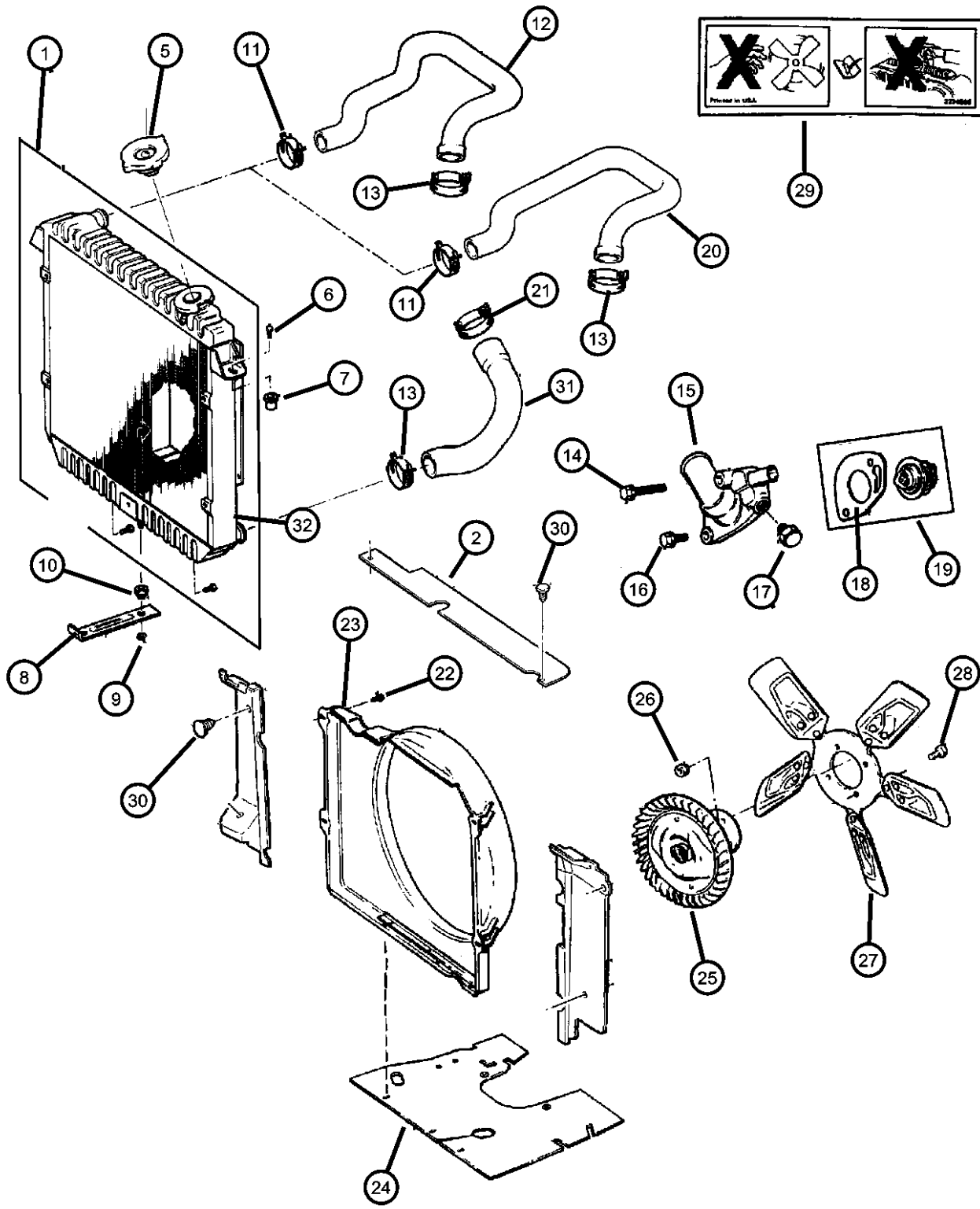
1									RADIATOR, Engine Cooling
	52029045	1	J, T			EP0	DG0		Middle East
	52030000	1				EP0	DBB		Middle East
	52079682AB	1	J, T			EP0	DG0		
	52079693AB	1				EP0	DBB		
2	52079693AB	1							SEAL, Radiator Crossmember, (NOT REQUIRED)
-3									SUPPORT, Radiator
	55009188	1	J, T			EP0			Right
	55027532	1	B, U			EP0			Right
	55345449	1	J, T			EP0			Left
	55345743	1	B, U			EP0			Left
-4									CROSSMEMBER, Radiator
	55027533	1	B, U			EP0			
	55235830AA	1	J, T			EP0			
5									CAP, Radiator
	03781830	1				EP0	DBB		
		1	J, T			EP0	DG0		
6	11502628	2				EP0	DGD		BOLT, Hex Flange Head, M8x1.25x30
7	34201348	2				EN0, EP0			NUT, Well
8	55175247	1				EP0			BRACE, Radiator

CHEROKEE (XJ)

SERIES	LINE	BODY	ENGINE	TRANSMISSION
L = LOWLINE	B = JEEP - 2WD (RHD) U = JEEP - 4WD (RHD) T = LHD - (2WD) J = JEEP - - LHD (4WD)	72 = 2DR (101.4 WB) 74 = 4 DR (101.4 WB)	ENC = 2.5L 4 Cyl Turbo Diesel Engine EPE = Engine - 2.5L Power Tech I-4 Cyl. ERH = 4.0L Power Tech I-6 Engine ENO = Engines - ALL 4/5 CYL Turbo Diesel ERO = Engines - All 4.0L 6 Cyl Gas EP0 = ENGINES - ALL 2.5L 4 CYL GAS	DCB = Transmission - 4-Speed Manual, T3340 DDQ = 5-Speed Manual Transmission DDX = 5-Speed HD Manual Transmission DGD = 3-Spd. Automatic 30RH Transmission DGK = 4-Spd. Automatic 42RE Transmission DGS = 4-Speed Automatic AW4 Transmission DGT = 4-Spd. Automatic 46RE Transmission DGW = TRANSMISSION - 4-SPD. AUTOMATIC, 44RE DGX = 4-Speed Automatic Transmission DGY = No Description Available DGZ = Transmission- 4-Spd. Automatic, MT643 DBB = ALL MANUAL TRANSMISSIONS DG0 = TRANSMISSIONS - ALL AUTOMATIC

AR = use ase required - = Non illustrated part

Radiator and Related Parts 2.5L Gas Engine (EP0)
Figure 7-130



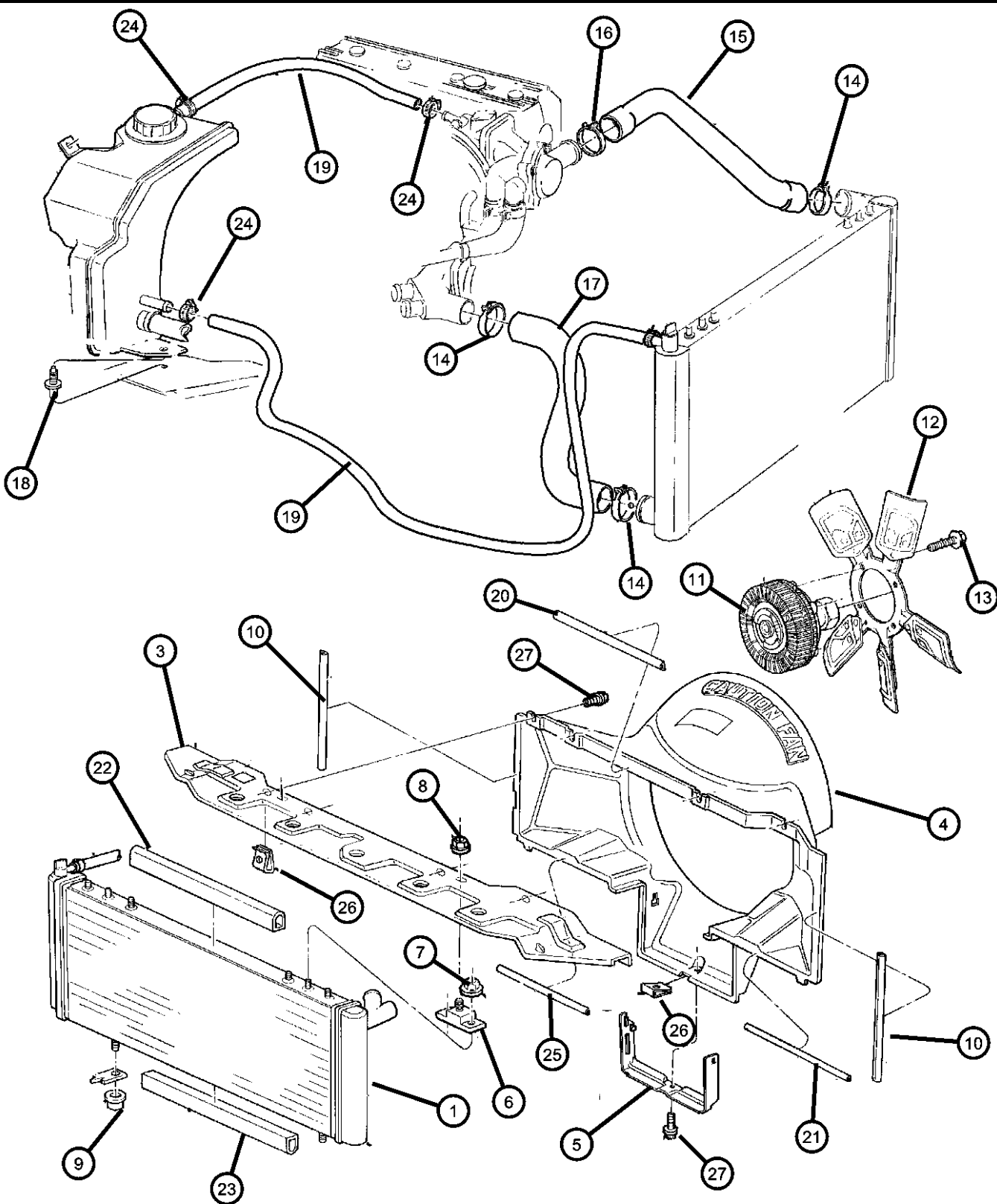
ITEM	PART NUMBER	QTY	LINE	SERIES	BODY	ENGINE	TRANS	TRIM	DESCRIPTION
9	55175247	1							RING, Radiator Grommet, (NOT REQUIRED)
10	J0687550	2				EN0, EP0, ERO			GROMMET, Radiator
11	32002983	1				EP0, ERO			CLAMP, Hose, 32mm Black
12	52028024AB	1				EP0			HOSE, Radiator Inlet, Upper, [HA0]
13	52005580	1				EP0, ERO			CLAMP, Hose to Radiator
14	06034927	1				EP0, ERO			SCREW AND WASHER, Hex Head, .312-18x.970
15	53006192	1				EP0, ERO			HOUSING, Thermostat
16	06034927	1				EP0, ERO			SCREW AND WASHER, Hex Head, .312-18x.970
17	J0103877	1				EP0, ERO			PLUG, Square Head, 1/8-27NPTx.32
18	53020547AB	1				EP0, ERO			GASKET, Thermostat
19	52028186	1				EP0, ERO			THERMOSTAT, 195 Degrees
20	52003789AB	1				EP0			HOSE, Radiator Inlet, Upper, [HC0]
21	32002366	1				EP0, ERO			CLAMP, Hose, 55mm Black
22	00154552	3				EP0, ERO			SCREW, Hex Head, .190-16x.625
23	52079634AB	1				EP0			SHROUD, Fan
24	55174736	1				EP0, ERO			SHIELD, Engine
25									VISCOUS CLUTCH, Fan Drive
	52028428	1				EP0			w/o Air
	52079684	1				EP0			w/Air
26									NUT AND WASHER, Hex, .312-18

CHEROKEE (XJ)

SERIES	LINE	BODY	ENGINE	TRANSMISSION
L = LOWLINE	B = JEEP - 2WD (RHD) U = JEEP - 4WD (RHD) T = LHD - (2WD) J = JEEP - - LHD (4WD)	72 = 2DR (101.4 WB) 74 = 4 DR (101.4 WB)	ENC = 2.5L 4 Cyl Turbo Diesel Engine EPE = Engine - 2.5L Power Tech I-4 Cyl. ERH = 4.0L Power Tech I-6 Engine ENO = Engines - ALL 4/5 CYL Turbo Diesel ERO = Engines - All 4.0L 6 Cyl Gas EP0 = ENGINES - ALL 2.5L 4 CYL GAS	DCB = Transmission - 4-Speed Manual,T3340 DDQ = 5-Speed Manual Transmission DDX = 5-Speed HD Manual Transmission DGD = 3-Spd. Automatic 30RH Transmission DGK = 4-Spd. Automatic 42RE Transmission DGS = 4-Speed Automatic AW4 Transmission DGT = 4-Spd. Automatic 46RE Transmission DGW = TRANSMISSION - 4-SPD. AUTOMATIC,44RE DGX = 4-Speed Automatic Transmission DGY = No Description Available DGZ = Transmission- 4-Spd. Automatic,MT643 DBB = ALL MANUAL TRANSMISSIONS DGO = TRANSMISSIONS - ALL AUTOMATIC

AR = use ase required - = Non illustrated part

Radiator and Related Parts 2.5L Diesel (EN0)
Figure 7-145

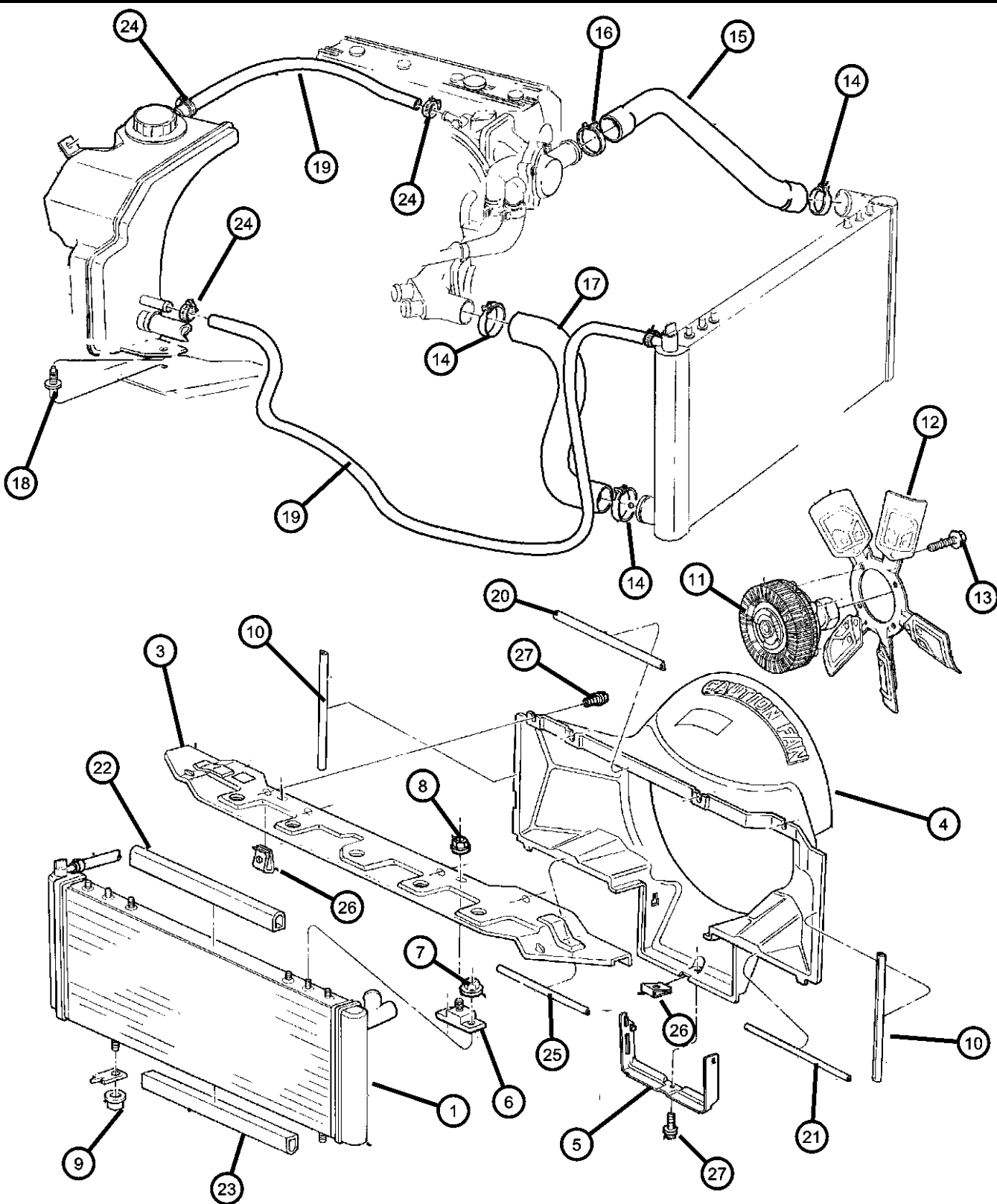


ITEM	PART NUMBER	QTY	LINE	SERIES	BODY	ENGINE	TRANS	TRIM	DESCRIPTION
Note: Sales Code DGB = Manual Trans									
Note: Sales Code DG0 = All Auto Trans									
1	52029100AB	1				EN0			RADIATOR, Engine Cooling
-2	52028256	1				EN0	DD0		CAP, Radiator
3	55235830AA	1				EN0, ER0			CROSSMEMBER, Radiator
4	52028406	1				EN0			SHROUD, Fan
5	52028239	1				EN0			SEAL, Radiator
6	52002585	2				EN0, EPO, ER0			ISOLATOR, Radiator
7	11502722	4				EN0, EPO, ER0			NUT, Hex Flange, M5x.8
8	11503745	2				EN0			NUT, Hex, M6x1
9	J0687550	2				EN0, EPO, ER0			GROMMET, Radiator
10	52028230	2				EN0			SEAL, Radiator Shroud
11	52028370	1				EN0			DRIVE, Fan
12	52028200	1				EN0			FAN, Cooling
13	06034860	4				EN0			BOLT AND WASHER, Implement Attaching
14	06034860	4							CLAMP, Radiator, 55mm Silver, (NOT REQUIRED)
15	52079690	1				EN0			HOSE, Radiator Inlet
16	32002983	1				EN0			CLAMP, Hose, 32mm Black
17									HOSE, Radiator
	52006301	1			J, T	ER0			
	52029635	1			B, U	ER0			

CHEROKEE (XJ)				
SERIES	LINE	BODY	ENGINE	TRANSMISSION
L = LOWLINE	B = JEEP - 2WD (RHD) U = JEEP - 4WD (RHD) T = LHD - (2WD) J = JEEP - - LHD (4WD)	72 = 2DR (101.4 WB) 74 = 4 DR (101.4 WB)	ENC = 2.5L 4 Cyl Turbo Diesel Engine EPE = Engine - 2.5L Power Tech I-4 Cyl. ERH = 4.0L Power Tech I-6 Engine EN0 = Engines - ALL 4/5 CYL Turbo Diesel ER0 = Engines - All 4.0L 6 Cyl Gas EPO = ENGINES - ALL 2.5L 4 CYL GAS	DCB = Transmission - 4-Speed Manual, T3340 DDQ = 5-Speed Manual Transmission DDX = 5-Speed HD Manual Transmission DGD = 3-Spd. Automatic 30RH Transmission DGK = 4-Spd. Automatic 42RE Transmission DGS = 4-Speed Automatic AW4 Transmission DGT = 4-Spd. Automatic 46RE Transmission DGW = TRANSMISSION - 4-SPD. AUTOMATIC, 44RE DGX = 4-Speed Automatic Transmission DGY = No Description Available DGZ = Transmission- 4-Spd. Automatic, MT643 DBB = ALL MANUAL TRANSMISSIONS DG0 = TRANSMISSIONS - ALL AUTOMATIC

AR = use ase required - = Non illustrated part

Radiator and Related Parts 2.5L Diesel (EN0)
Figure 7-145



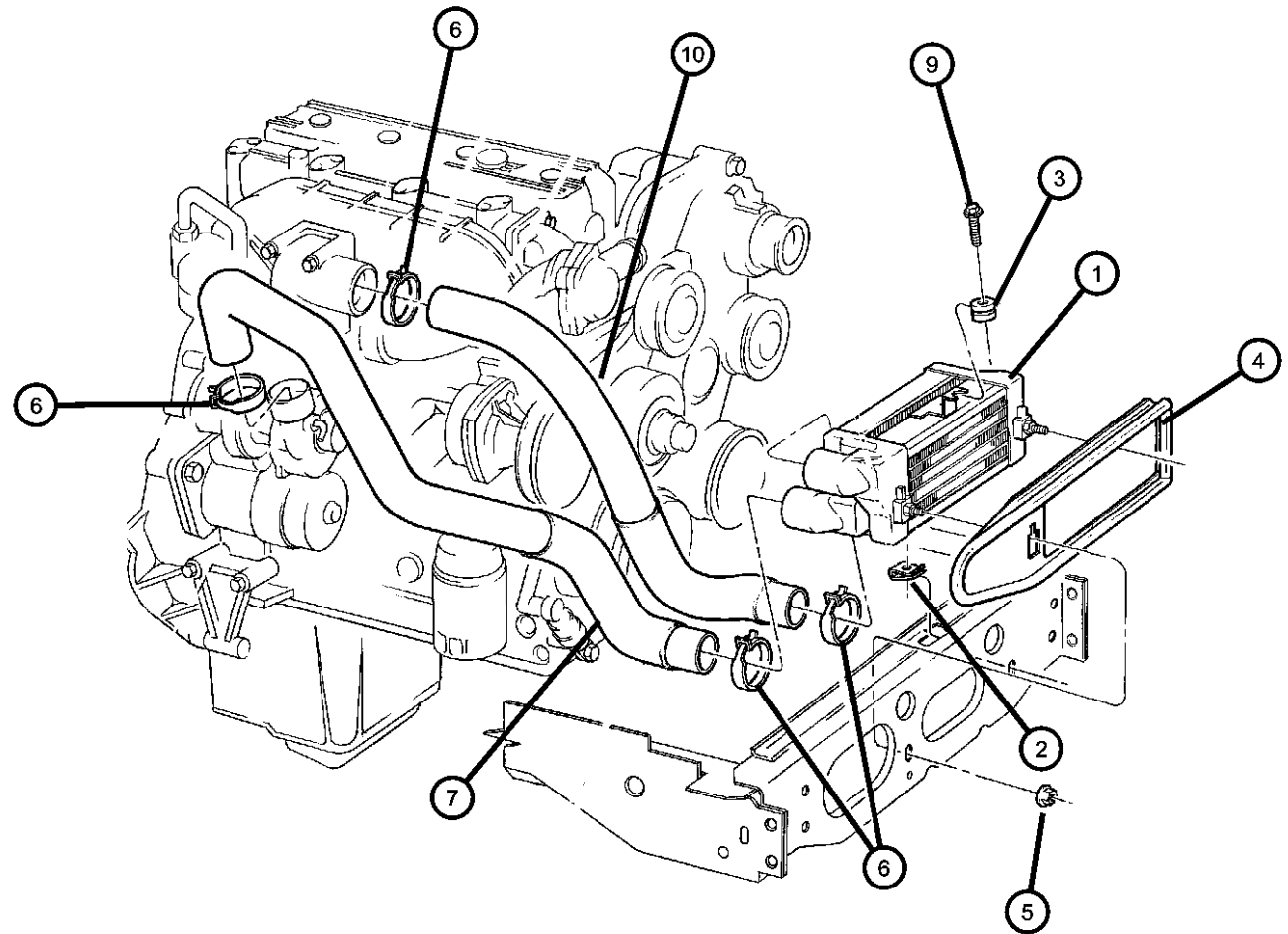
ITEM	PART NUMBER	QTY	LINE	SERIES	BODY	ENGINE	TRANS	TRIM	DESCRIPTION
18	06032824	1				EN0			BOLT, Hex Flange Head, .25-14x.625
19	52079457	1				EN0			HOSE, Coolant Recovery Bottle
20	52028234	1				EN0			SEAL, Radiator ShroudUpper
21	52028216	1				EN0			SEAL, Radiator ShroudLower
22	52028238	1				EN0			SEAL, Crossmember
23	52028237	1				EN0			SEAL, Crossmember
24	06502081	1				EN0			CLAMP, Oil Cooler Line
25	52028223	1				EN0			SEAL, Radiator Shroud
26	06503998	5				EN0			NUT, U Multi Thread, M5 x .80
27	06503998	5							SCREW, (NOT SERVICED)
-28	52079580	1				EN0	DD0		HOSE, Coolant Tank To Pump

CHEROKEE (XJ)

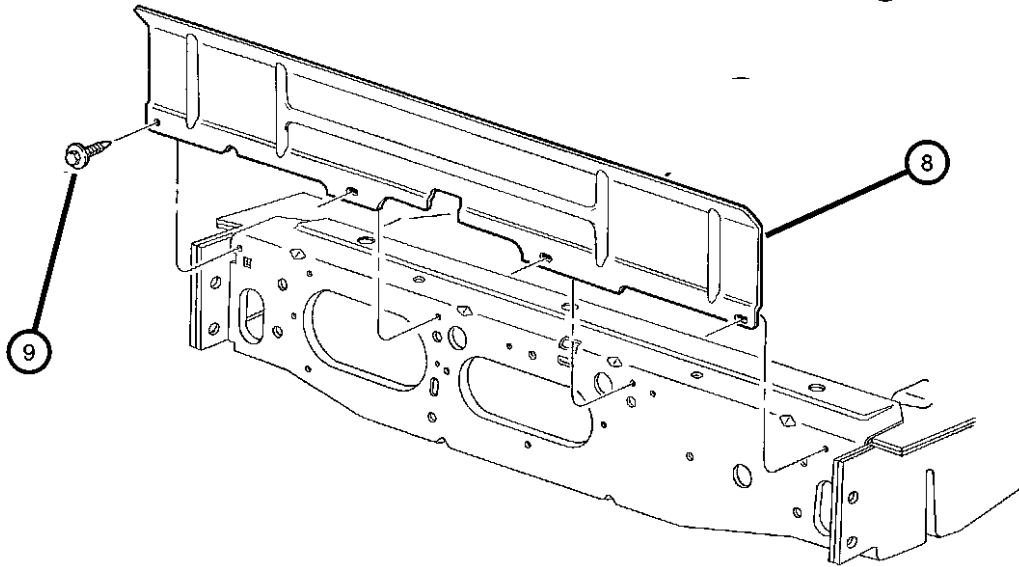
SERIES	LINE	BODY	ENGINE	TRANSMISSION
L = LOWLINE	B = JEEP - 2WD (RHD) U = JEEP - 4WD (RHD) T = LHD - (2WD) J = JEEP - - LHD (4WD)	72 = 2DR (101.4 WB) 74 = 4 DR (101.4 WB)	ENC = 2.5L 4 Cyl Turbo Diesel Engine EPE = Engine - 2.5L Power Tech I-4 Cyl. ERH = 4.0L Power Tech I-6 Engine ENO = Engines - ALL 4/5 CYL Turbo Diesel ERO = Engines - All 4.0L 6 Cyl Gas EPO = ENGINES - ALL 2.5L 4 CYL GAS	DCB = Transmission - 4-Speed Manual,T3340 DDQ = 5-Speed Manual Transmission DDX = 5-Speed HD Manual Transmission DGD = 3-Spd. Automatic 30RH Transmission DGK = 4-Spd. Automatic 42RE Transmission DGS = 4-Speed Automatic AW4 Transmission DGT = 4-Spd. Automatic 46RE Transmission DGW = TRANSMISSION - 4-SPD. AUTOMATIC,44RE DGX = 4-Speed Automatic Transmission DGY = No Description Available DGZ = Transmission- 4-Spd. Automatic,MT643 DBB = ALL MANUAL TRANSMISSIONS DGO = TRANSMISSIONS - ALL AUTOMATIC

AR = use ase required - = Non illustrated part

**Charge Air Cooler
Figure 7-147**



ITEM	PART NUMBER	QTY	LINE	SERIES	BODY	ENGINE	TRANS	TRIM	DESCRIPTION
Note: Sales Code EN0 = 2.5L Diesel Engine									
1	52028089	1				EN0			COOLER, Engine Oil
2	06101442	1				EN0			U-NUT, M6 x 1.00, M6x1.00
3	52028236	1				EN0			ISOLATOR
4	52028235	1				EN0			SEAL, Cooler
5	34201358	2							NUT AND WASHER, Hex Nut-Sealing Washer, M6 x 1.00
6	52028008	2				EN0			CLAMP, Hose, 64mm
7	52079581	1				EN0			HOSE, Charge Air Cooler
8	52028374	1				EN0			DEFLECTOR, Air
9	52028374	1							SCREW, (NOT SERVICED)
10	52079496	1				EN0			HOSE, Charge Air Cooler

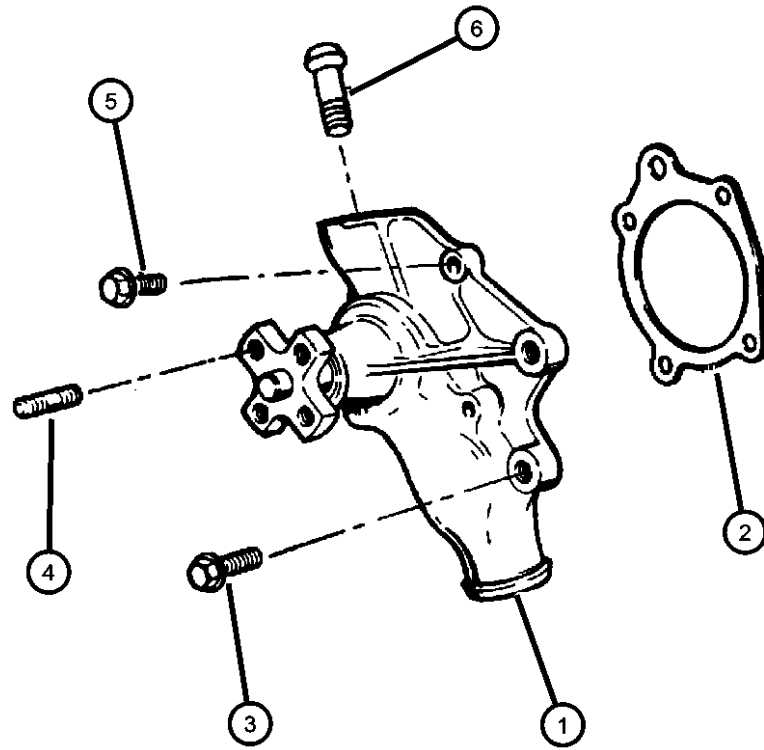


CHEROKEE (XJ)				
SERIES	LINE	BODY	ENGINE	TRANSMISSION
L = LOWLINE	B = JEEP - 2WD (RHD) U = JEEP - 4WD (RHD) T = LHD - (2WD) J = JEEP - - LHD (4WD)	72 = 2DR (101.4 WB) 74 = 4 DR (101.4 WB)	ENC = 2.5L 4 Cyl Turbo Diesel Engine EPE = Engine - 2.5L Power Tech I-4 Cyl. ERH = 4.0L Power Tech I-6 Engine ENO = Engines - ALL 4/5 CYL Turbo Diesel ERO = Engines - All 4.0L 6 Cyl Gas EPO = ENGINES - ALL 2.5L 4 CYL GAS	DCB = Transmission - 4-Speed Manual,T3340 DDQ = 5-Speed Manual Transmission DDX = 5-Speed HD Manual Transmission DGD = 3-Spd. Automatic 30RH Transmission DGK = 4-Spd. Automatic 42RE Transmission DGS = 4-Speed Automatic AW4 Transmission DGT = 4-Spd. Automatic 46RE Transmission DGW = TRANSMISSION - 4-SPD. AUTOMATIC,44RE DGX = 4-Speed Automatic Transmission DGY = No Description Available DGZ = Transmission- 4-Spd. Automatic,MT643 DBB = ALL MANUAL TRANSMISSIONS DGO = TRANSMISSIONS - ALL AUTOMATIC

AR = use ase required - = Non illustrated part

Water Pump and Related Parts 2.5,4.0L Gas Engines (EP0,ER0)
Figure 7-210

ITEM	PART NUMBER	QTY	LINE	SERIES	BODY	ENGINE	TRANS	TRIM	DESCRIPTION
Note: Sales Code EP0 = 2.5L Gas Engine Note: Sales Code ER0 = 4.0L Engine									
1									PUMP PACKAGE, Water
	04626054AD	1				EP0			
	04626215	1				ER0			
2	53020420	1				EP0, ER0			GASKET, Water Pump
3	06033979	1				EP0, ER0			SCREW AND WASHER, Hex Head, .312-18x1.75
4									BOLT AND CONED WASHER, Hex Head, M8x14x17
	06100293	4	J, T			ER0			
		4	B, U			ER0			
5	06033978	3				EP0, ER0			SCREW AND WASHER, Hex Head, .312-18x1.12
6	53007978	1				EP0, ER0			TUBE, Water Pump Heater Return

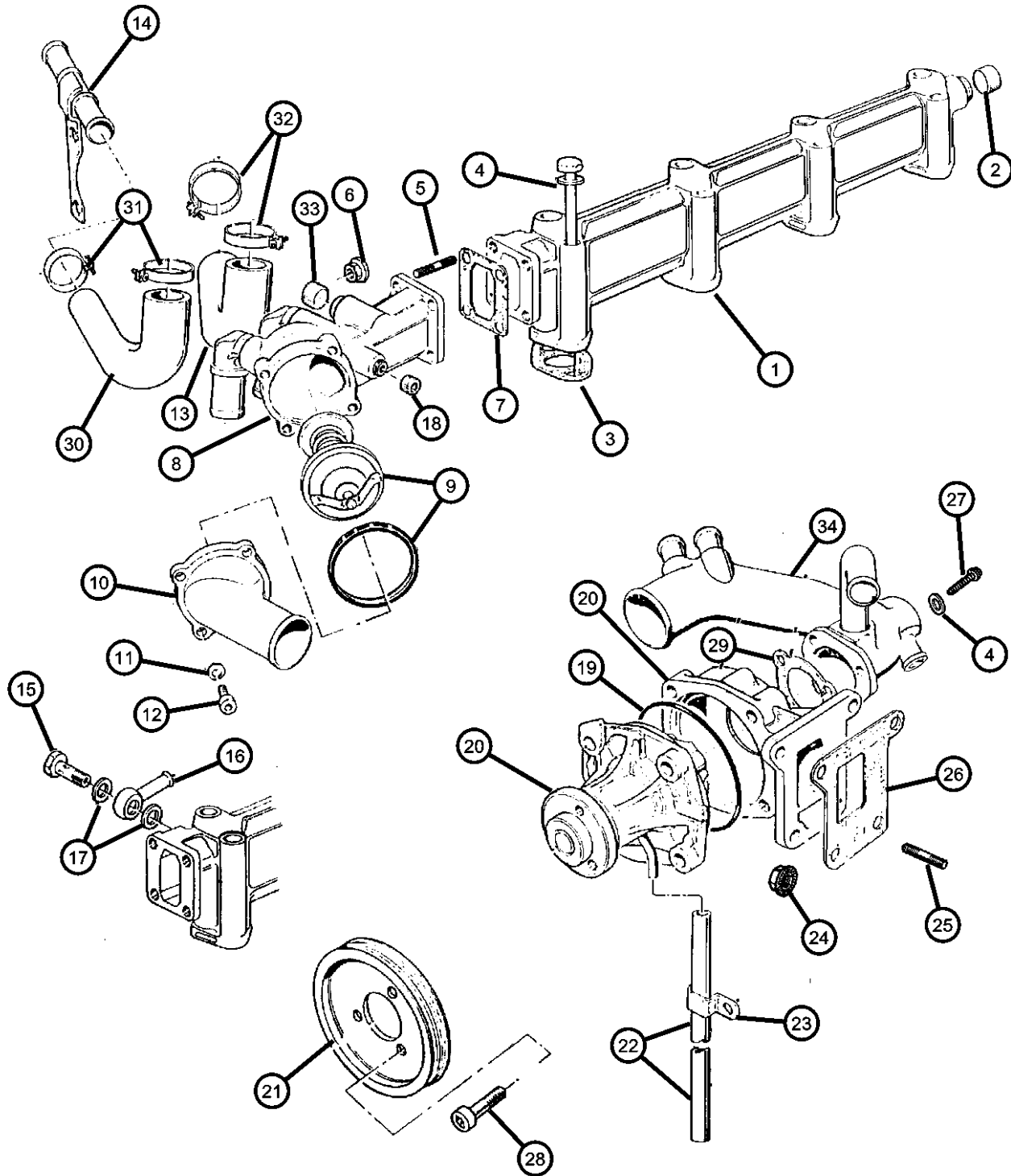


CHEROKEE (XJ)

SERIES	LINE	BODY	ENGINE	TRANSMISSION
L = LOWLINE	B = JEEP - 2WD (RHD) U = JEEP - 4WD (RHD) T = LHD - (2WD) J = JEEP - - LHD (4WD)	72 = 2DR (101.4 WB) 74 = 4 DR (101.4 WB)	ENC = 2.5L 4 Cyl Turbo Diesel Engine EPE = Engine - 2.5L Power Tech I-4 Cyl. ERH = 4.0L Power Tech I-6 Engine ENO = Engines - ALL 4/5 CYL Turbo Diesel ERO = Engines - All 4.0L 6 Cyl Gas EP0 = ENGINES - ALL 2.5L 4 CYL GAS	DCB = Transmission - 4-Speed Manual,T3340 DDQ = 5-Speed Manual Transmission DDX = 5-Speed HD Manual Transmission DGD = 3-Spd. Automatic 30RH Transmission DGK = 4-Spd. Automatic 42RE Transmission DGS = 4-Speed Automatic AW4 Transmission DGT = 4-Spd. Automatic 46RE Transmission DGW = TRANSMISSION - 4-SPD. AUTOMATIC,44RE DGX = 4-Speed Automatic Transmission DGY = No Description Available DGZ = Transmission- 4-Spd. Automatic,MT643 DBB = ALL MANUAL TRANSMISSIONS DGO = TRANSMISSIONS - ALL AUTOMATIC

AR = use ase required - = Non illustrated part

Water Pump and Water Manifold 2.5L Diesel Engine (EN0)
Figure 7-215



ITEM	PART NUMBER	QTY	LINE	SERIES	BODY	ENGINE	TRANS	TRIM	DESCRIPTION
------	-------------	-----	------	--------	------	--------	-------	------	-------------

Note: Sales Code EN0 = 2.5L Diesel Engine

1	04797748	1				EN0			MANIFOLD, Water
2	04864753	1				EN0			PLUG
3	04720450	4				EN0			GASKET, Water Manifold
4	04720305	2				EN0			WASHER, Plain
5	04797764	4				EN0			STUD, M6x14
6	04778936	2				EN0			NUT, Suction Pipe Attaching
7	04778971	1				EN0			GASKET, Thermostat
8	04778974AB	1				EN0			HOUSING, Thermostat
9	04778975	1				EN0			THERMOSTAT
10	04778976	1				EN0			COVER, Thermostat Housing
11	04720305	2				EN0			WASHER, Plain
12	04720658	4				EN0			SCREW, Intake Manifold Elbow
13	04778977	1				EN0			HOSE, Water Pump Bypass
14	04778980	1				EN0			TUBE, Heater Feed
15	04720358	5				EN0			BOLT, Banjo
16	04797755	1				EN0			BANJO, Air Bleed
17	04720554	10				EN0			WASHER, Banjo
18	04720554	10							PLUG, Water Manifold, (NOT SERVICED)
19	04723198	1				EN0			O RING, Water Pump
20	04864566	1				EN0			PUMP, Water
21	04864567	1				EN0			PULLEY, Water Pump

CHEROKEE (XJ)

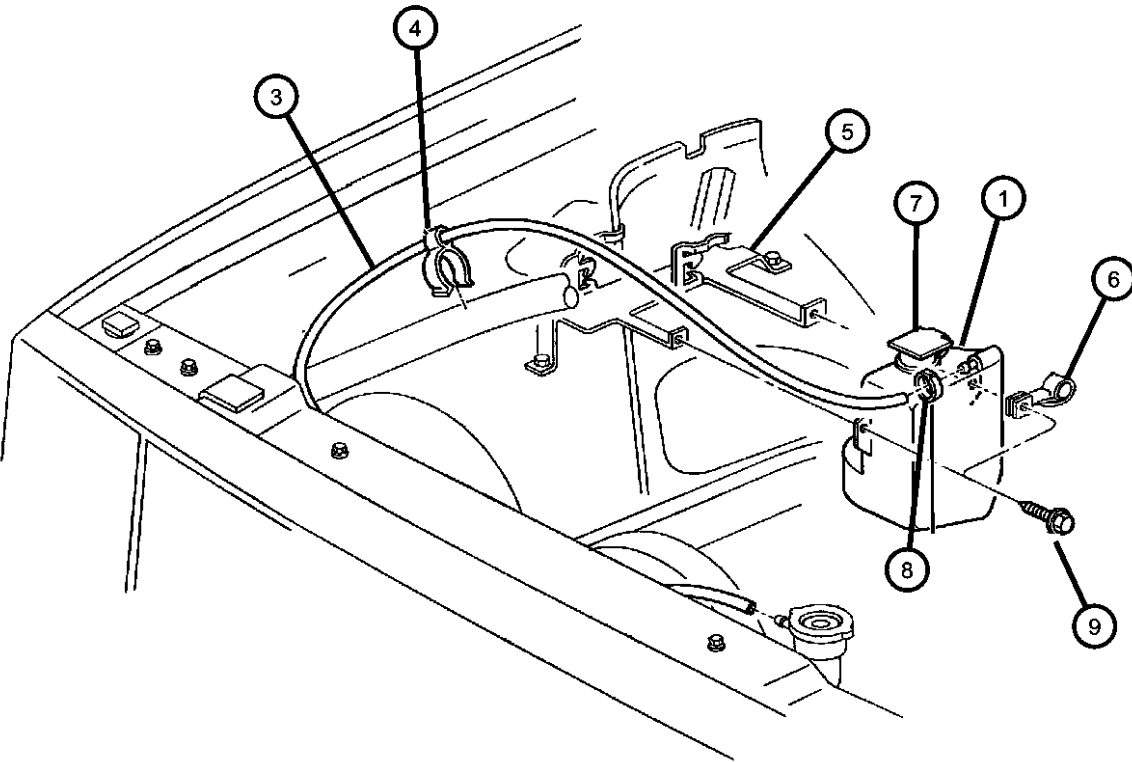
SERIES LINE
 L = LOWLINE B = JEEP - 2WD (RHD)
 U = JEEP - 4WD (RHD)
 T = LHD - (2WD)
 J = JEEP - - LHD (4WD)

BODY
 72 = 2DR (101.4 WB)
 74 = 4 DR (101.4 WB)

ENGINE TRANSMISSION
 ENC = 2.5L 4 Cyl Turbo Diesel Engine DCB = Transmission - 4-Speed Manual,T3340
 EPE = Engine - 2.5L Power Tech I-4 Cyl. DDQ = 5-Speed Manual Transmission
 ERH = 4.0L Power Tech I-6 Engine DDG = 5-Speed HD Manual Transmission
 ENO = Engines - ALL 4/5 CYL Turbo Diesel DGD = 3-Spd. Automatic 30RH Transmission
 ERO = Engines - All 4.0L 6 Cyl Gas DGK = 4-Spd. Automatic 42RE Transmission
 EPO = ENGINES - ALL 2.5L 4 CYL GAS DGS = 4-Speed Automatic AW4 Transmission
 DGT = 4-Spd. Automatic 46RE Transmission
 DGW = TRANSMISSION - 4-SPD. AUTOMATIC,44RE
 DGX = 4-Speed Automatic Transmission
 DGY = No Description Available
 DGZ = Transmission- 4-Spd. Automatic,MT643
 DBB = ALL MANUAL TRANSMISSIONS
 DGO = TRANSMISSIONS - ALL AUTOMATIC

AR = use ase required - = Non illustrated part

Bottle, Coolant Recovery
Figure 7-305



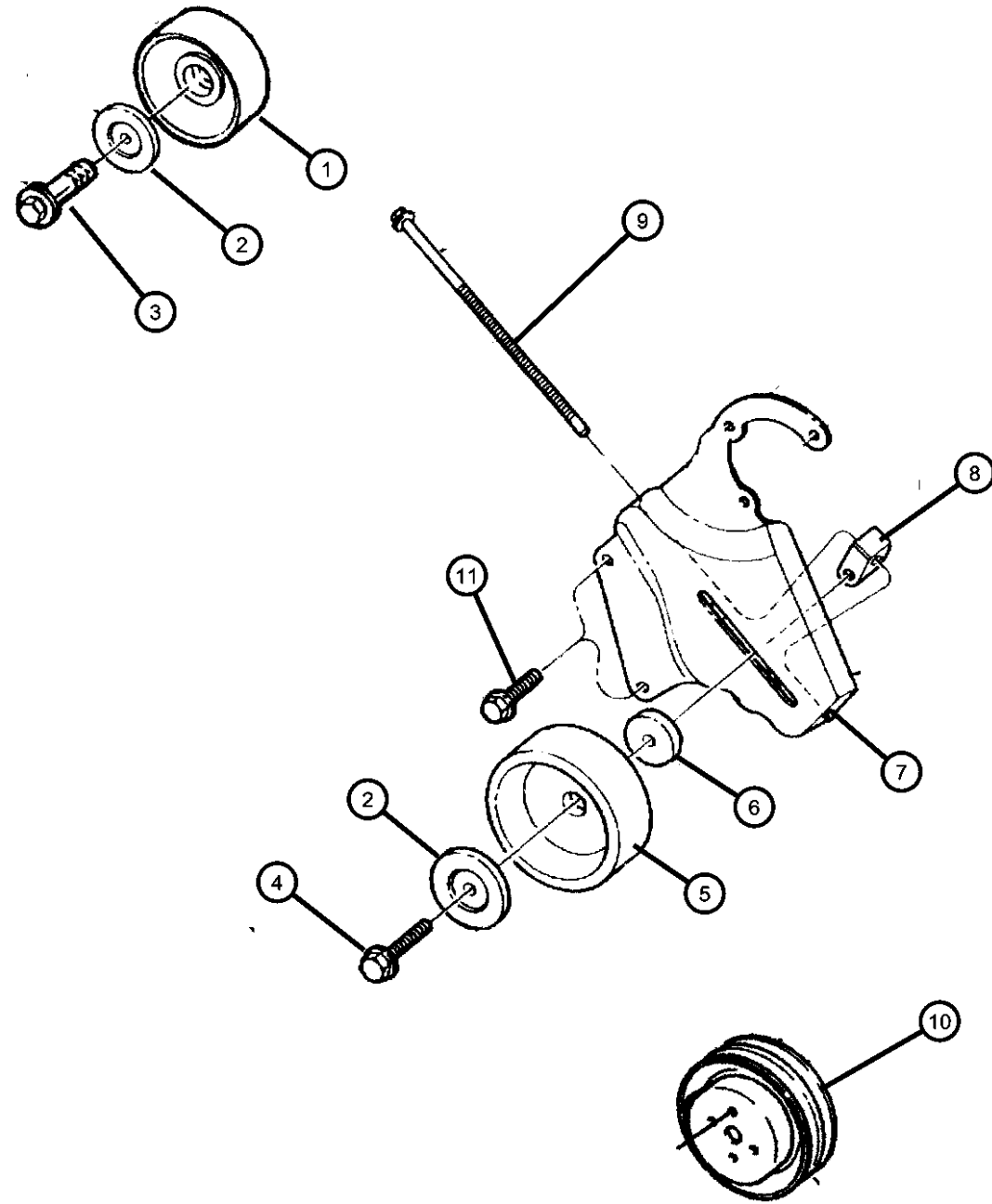
ITEM	PART NUMBER	QTY	LINE	SERIES	BODY	ENGINE	TRANS	TRIM	DESCRIPTION
Note: Sales Code DD0 = All Manual 5 Speed Trans									
Note: Sales Code EN0 = 2.5L Diesel Engine									
Note: Sales Code EP0 = 2.5L Gas Engine									
Note: Sales Code ER0 = 4.0L Engine									
1	52027984	1				EP0, ER0			TANK, Coolant Reserve
-2	52079493AB	1				EN0	DD0		BOTTLE, Degasser
3									HOSE, Coolant Reserve Tank
	04026148	1	B, U			ER0			
		1	J, T			ER0			
		1				EP0			
4									CLIP, Hose
	52007404	1				ER0			
		1	J, T			EP0			
5	56008885	1	J, T			EP0, ER0			BRACKET, Power Distribution Center
6									CLIP, Cable
	06025867	1	B, U			EPE, ERH			
	53009375	1	J, T			EPE, ERH			
7	52079331	1				EP0, ER0			CAP, Coolant Reserve Tank
8									CLAMP, Hose
	02448761	2	B, U			EP0			
		2	J, T			EP0			
9		2							SCREW, (NOT SERVICED)

CHEROKEE (XJ)

SERIES	LINE	BODY	ENGINE	TRANSMISSION
L = LOWLINE	B = JEEP - 2WD (RHD) U = JEEP - 4WD (RHD) T = LHD - (2WD) J = JEEP - - LHD (4WD)	72 = 2DR (101.4 WB) 74 = 4 DR (101.4 WB)	ENC = 2.5L 4 Cyl Turbo Diesel Engine EPE = Engine - 2.5L Power Tech I-4 Cyl. ERH = 4.0L Power Tech I-6 Engine ENO = Engines - ALL 4/5 CYL Turbo Diesel ERO = Engines - All 4.0L 6 Cyl Gas EP0 = ENGINES - ALL 2.5L 4 CYL GAS	DCB = Transmission - 4-Speed Manual,T3340 DDQ = 5-Speed Manual Transmission DDX = 5-Speed HD Manual Transmission DGD = 3-Spd. Automatic 30RH Transmission DGK = 4-Spd. Automatic 42RE Transmission DGS = 4-Speed Automatic AW4 Transmission DGT = 4-Spd. Automatic 46RE Transmission DGW = TRANSMISSION - 4-SPD. AUTOMATIC,44RE DGX = 4-Speed Automatic Transmission DGY = No Description Available DGZ = Transmission- 4-Spd. Automatic,MT643 DBB = ALL MANUAL TRANSMISSIONS DGO = TRANSMISSIONS - ALL AUTOMATIC

AR = use ase required - = Non illustrated part

**Drive Pulleys, 2.5L Gas Engine (EP0)
Figure 7-407**



ITEM	PART NUMBER	QTY	LINE	SERIES	BODY	ENGINE	TRANS	TRIM	DESCRIPTION
Note: Sales Code EP0 = 2.5L Gas Engine									
1	53010230	1	J, T			EP0			PULLEY, Idler
		1	B, U			EP0			
2	33002201	1	J, T			EP0			BUSHING, Idler Pulley
		1	B, U			EP0			
3	06504239	1	J, T			EP0			SCREW AND WASHER, M10x1.5x40
		1	B, U			EP0			
4	34202029	1	J, T			EP0			BOLT, Hex Flange Head, M10x1.50x50
		1	B, U			EP0			
5	04792112	1	J, T			EP0			PULLEY, Idler
		1	B, U			EP0			
6	06503230	1	J, T			EP0			SPACER, Belt Tensioner
		1	B, U			EP0			
7	53010148	1	J, T			EP0			BRACKET, Tensioner
		1	B, U			EP0			

CHEROKEE (XJ)

SERIES LINE
 L = LOWLINE B = JEEP - 2WD (RHD)
 U = JEEP - 4WD (RHD)
 T = LHD - (2WD)
 J = JEEP - - LHD (4WD)

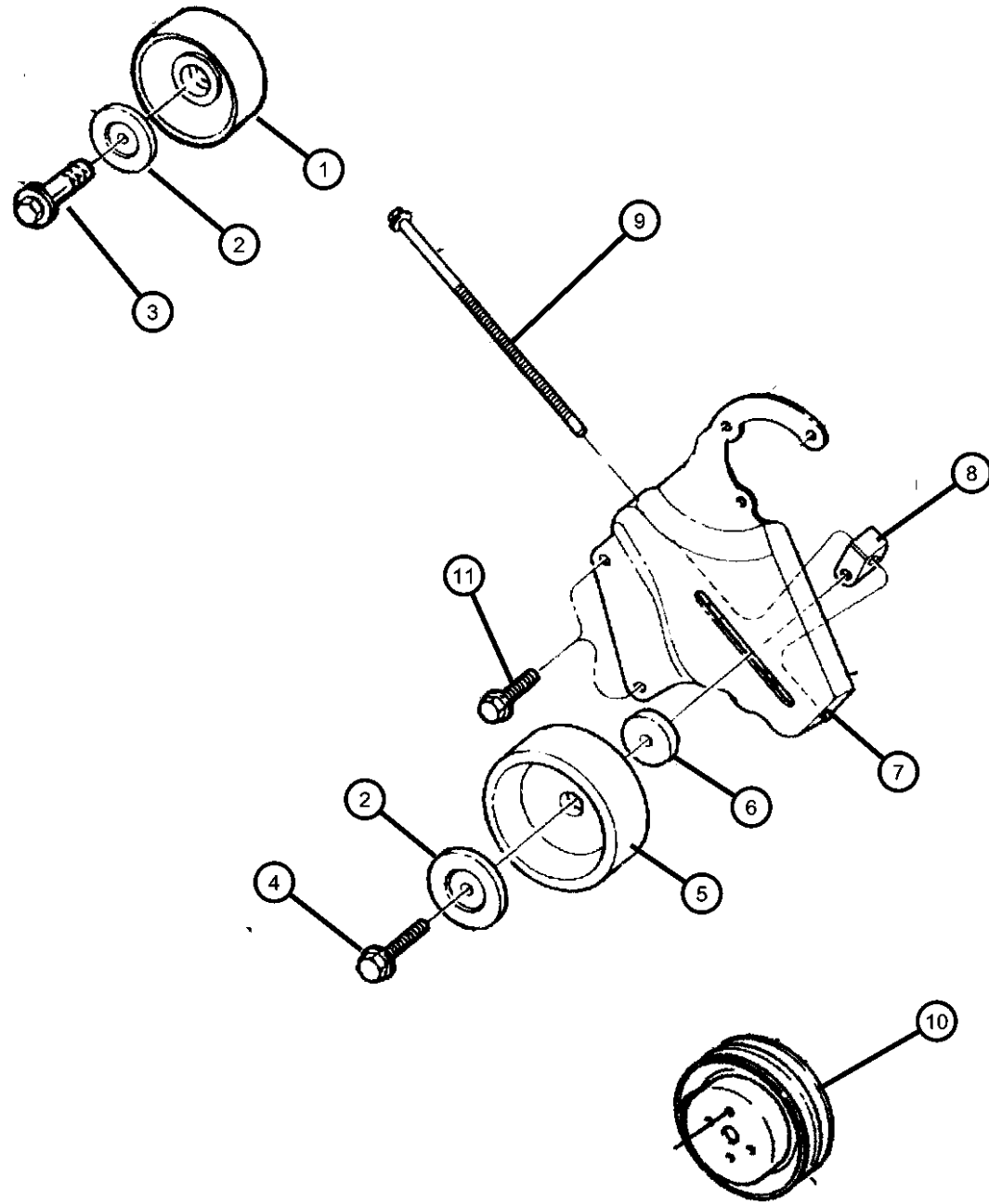
BODY
 72 = 2DR (101.4 WB)
 74 = 4 DR (101.4 WB)

ENGINE TRANSMISSION
 ENC = 2.5L 4 Cyl Turbo Diesel Engine
 EPE = Engine - 2.5L Power Tech I-4 Cyl.
 ERH = 4.0L Power Tech I-6 Engine
 ENO = Engines - ALL 4/5 CYL Turbo Diesel
 ERO = Engines - All 4.0L 6 Cyl Gas
 EP0 = ENGINES - ALL 2.5L 4 CYL GAS

DCB = Transmission - 4-Speed Manual, T3340
 DDQ = 5-Speed Manual Transmission
 DDX = 5-Speed HD Manual Transmission
 DGD = 3-Spd. Automatic 30RH Transmission
 DGK = 4-Spd. Automatic 42RE Transmission
 DGS = 4-Speed Automatic AW4 Transmission
 DGT = 4-Spd. Automatic 46RE Transmission
 DGW = TRANSMISSION - 4-SPD. AUTOMATIC, 44RE
 DGX = 4-Speed Automatic Transmission
 DGY = No Description Available
 DGZ = Transmission- 4-Spd. Automatic, MT643
 DBB = ALL MANUAL TRANSMISSIONS
 DGO = TRANSMISSIONS - ALL AUTOMATIC

AR = use ase required - = Non illustrated part

Drive Pulleys, 2.5L Gas Engine (EP0)
Figure 7-407



ITEM	PART NUMBER	QTY	LINE	SERIES	BODY	ENGINE	TRANS	TRIM	DESCRIPTION
8	53010149	1	J, T			EP0			COLLAR, Tensioner Adjustment
		1	B, U			EP0			
9	06503198	1	J, T			EP0			BOLT
		1	B, U			EP0			
10	53007154	1	J, T			EP0			PULLEY, Water Pump
		1	B, U			EP0			
11		1							SCREW, (NOT SERVICED)

CHEROKEE (XJ)

SERIES

L = LOWLINE

LINE

B = JEEP - 2WD (RHD)
U = JEEP - 4WD (RHD)
T = LHD - (2WD)
J = JEEP - - LHD (4WD)

BODY

72 = 2DR (101.4 WB)
74 = 4 DR (101.4 WB)

ENGINE

ENC = 2.5L 4 Cyl Turbo Diesel Engine
EPE = Engine - 2.5L Power Tech I-4 Cyl.
ERH = 4.0L Power Tech I-6 Engine
ENO = Engines - ALL 4/5 CYL Turbo Diesel
ERO = Engines - All 4.0L 6 Cyl Gas
EP0 = ENGINES - ALL 2.5L 4 CYL GAS

TRANSMISSION

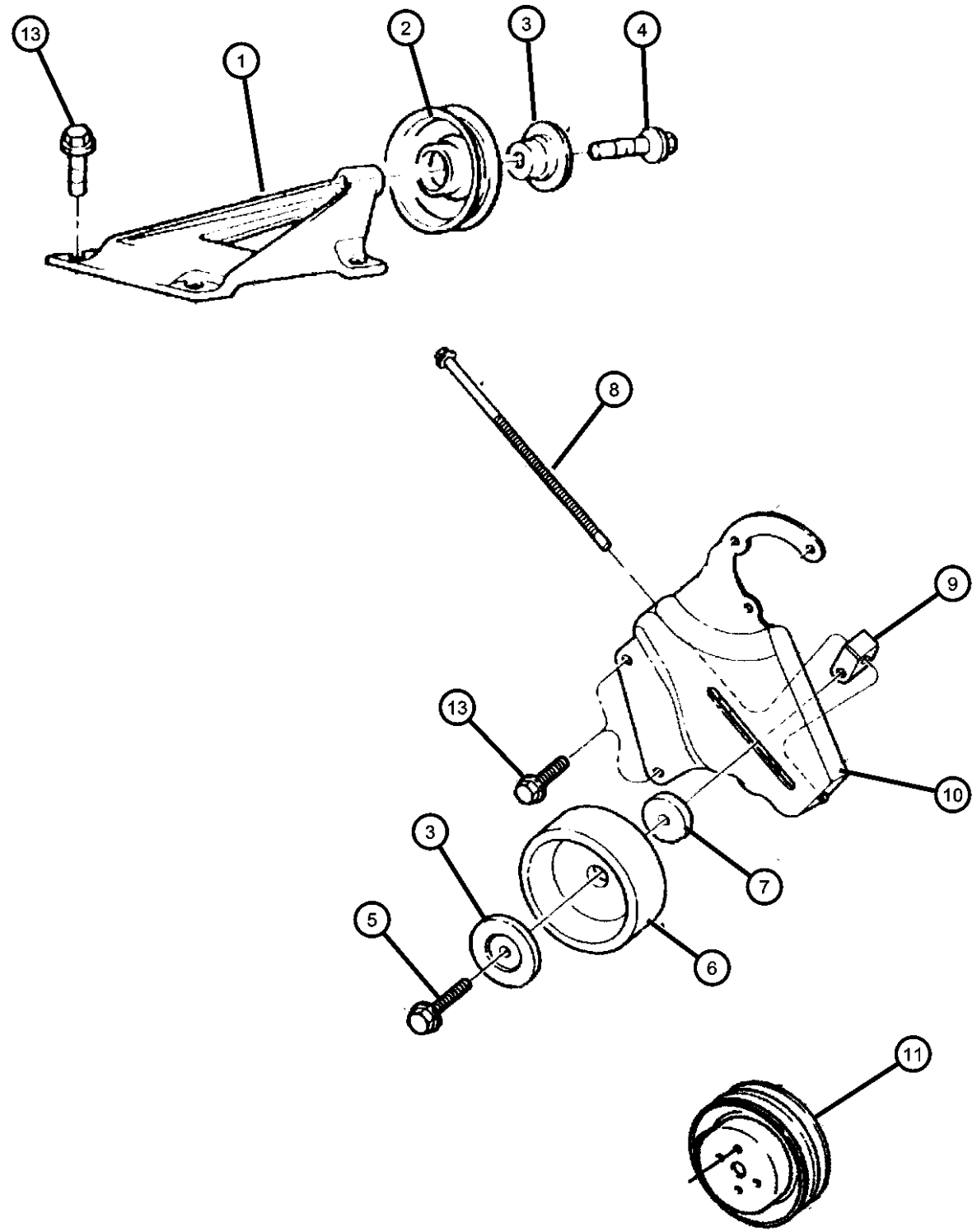
DCB = Transmission - 4-Speed Manual,T3340
DDQ = 5-Speed Manual Transmission
DDX = 5-Speed HD Manual Transmission
DGD = 3-Spd. Automatic 30RH Transmission
DGK = 4-Spd. Automatic 42RE Transmission
DGS = 4-Speed Automatic AW4 Transmission
DGT = 4-Spd. Automatic 46RE Transmission
DGW = TRANSMISSION - 4-SPD. AUTOMATIC,44RE
DGX = 4-Speed Automatic Transmission
DGY = No Description Available
DGZ = Transmission- 4-Spd. Automatic,MT643
DBB = ALL MANUAL TRANSMISSIONS
DGO = TRANSMISSIONS - ALL AUTOMATIC

AR = use ase required - = Non illustrated part

1998 XJ

Drive Pulleys, 4.0L Engine (ER0), LHD
Figure 7-408

ITEM	PART NUMBER	QTY	LINE	SERIES	BODY	ENGINE	TRANS	TRIM	DESCRIPTION
Note: Sales Code ER0 = 4.0L Engine									
1	53006551	1	J, T			ER0			BRACKET, Idler Pulley
2	53002903	1	J, T			ER0			PULLEY, Idler
3	33002201	1	J, T			ER0			BUSHING, Idler Pulley
4	06504239	1	J, T			ER0			SCREW AND WASHER, M10x1.5x40
5	34202029	1	J, T			ER0			BOLT, Hex Flange Head, M10x1.50x50
6	04792112	1	J, T			ER0			PULLEY, Idler
7	06503230	1	J, T			EP0			SPACER, Belt Tensioner
8	06503198	1	J, T			EP0			BOLT
9	53010149	1	J, T			ER0			COLLAR, Tensioner Adjustment
10	53010148	1	J, T			ER0			BRACKET, Tensioner
11	53002907	1	J, T			ER0			PULLEY, Water Pump
-12	53010309	1	J, T			ER0			PULLEY, Fan
13	53010309	1							SCREW, (NOT SERVICED)

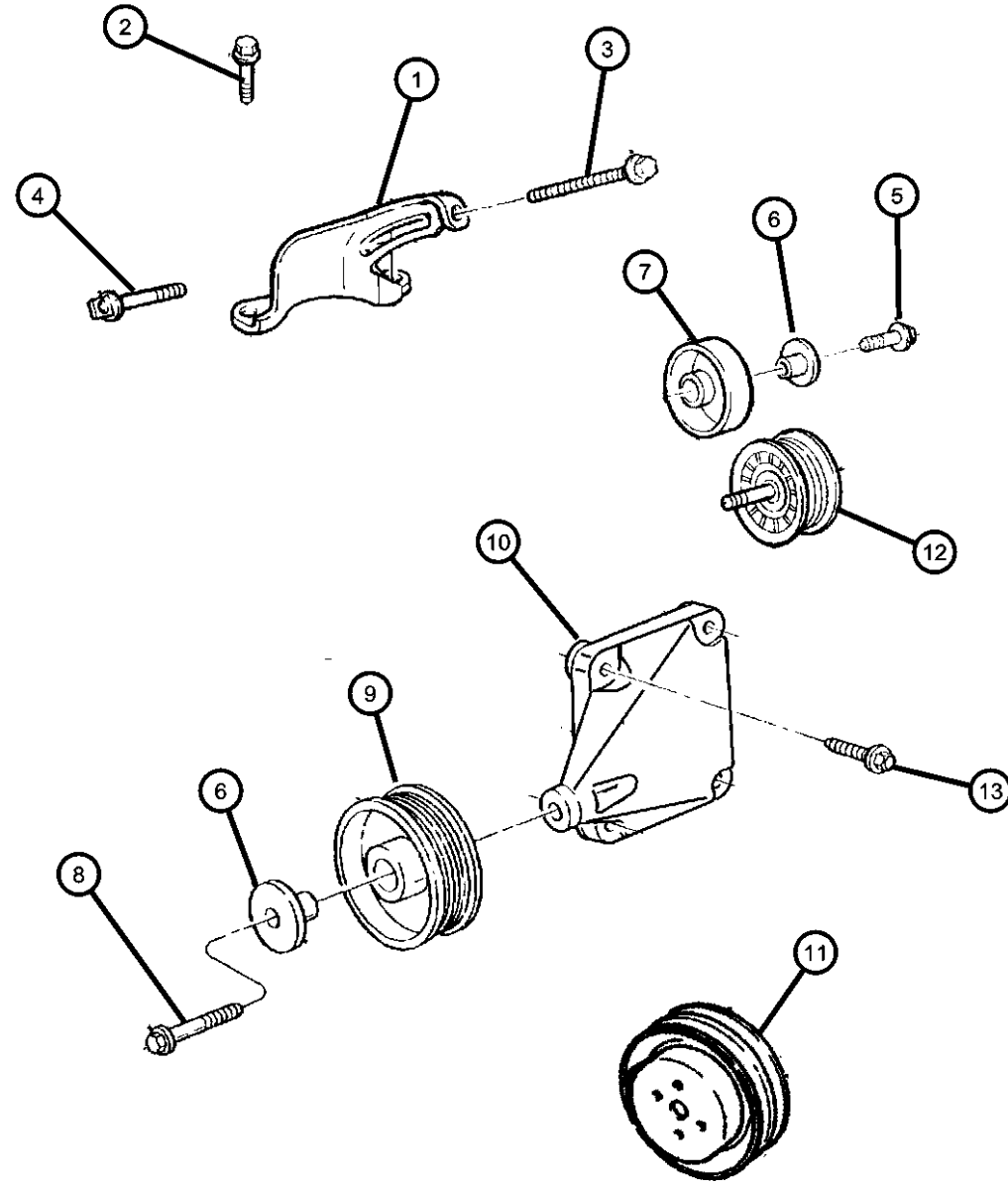


CHEROKEE (XJ)

SERIES	LINE	BODY	ENGINE	TRANSMISSION
L = LOWLINE	B = JEEP - 2WD (RHD) U = JEEP - 4WD (RHD) T = LHD - (2WD) J = JEEP - - LHD (4WD)	72 = 2DR (101.4 WB) 74 = 4 DR (101.4 WB)	ENC = 2.5L 4 Cyl Turbo Diesel Engine EPE = Engine - 2.5L Power Tech I-4 Cyl. ERH = 4.0L Power Tech I-6 Engine ENO = Engines - ALL 4/5 CYL Turbo Diesel ERO = Engines - All 4.0L 6 Cyl Gas EPO = ENGINES - ALL 2.5L 4 CYL GAS	DCB = Transmission - 4-Speed Manual, T3340 DDQ = 5-Speed Manual Transmission DDX = 5-Speed HD Manual Transmission DGD = 3-Spd. Automatic 30RH Transmission DGK = 4-Spd. Automatic 42RE Transmission DGS = 4-Speed Automatic AW4 Transmission DGT = 4-Spd. Automatic 46RE Transmission DGW = TRANSMISSION - 4-SPD. AUTOMATIC, 44RE DGX = 4-Speed Automatic Transmission DGY = No Description Available DGZ = Transmission- 4-Spd. Automatic, MT643 DBB = ALL MANUAL TRANSMISSIONS DGO = TRANSMISSIONS - ALL AUTOMATIC

AR = use ase required - = Non illustrated part

Drive Pulleys, 4.0L Engine (ER0), RHD
Figure 7-409



ITEM	PART NUMBER	QTY	LINE	SERIES	BODY	ENGINE	TRANS	TRIM	DESCRIPTION
Note: Sales Code ER0 = 4.0L Engine									
1	53010190	1	B, U			ER0			BRACKET, Tensioner
2	06502144	2	B, U			ER0			SCREW AND WASHER, Hex Head, M10x1.5x25
3	06502929	1	B, U			ER0			SCREW AND WASHER, Hex Head, M8x1.25x110
4	06502592	1	B, U			ER0			SCREW, M8x1.25 Tapped Head, M10x1.5x50
5	06502137	2	B, U			EP0, ER0			BOLT, Hex Flange Head, M10x1.50x35
6	33002201	1	B, U			ER0			BUSHING, Idler Pulley
7	53010230	1	B, U			ER0			PULLEY, Idler
8	06034497	1	B, U			ER0			BOLT AND WASHER, Hex Head, .375-16x2.375
9	53002903	1	B, U			ER0			PULLEY, Idler
10	53010163	1	B, U			ER0			BRACKET, Fan
11	53002907	1	B, U			ER0			PULLEY, Water Pump
12	53010228AB	1	B, U			ER0			PULLEY, Idler
13	53010228AB	1							SCREW, (NOT SERVICED)

CHEROKEE (XJ)

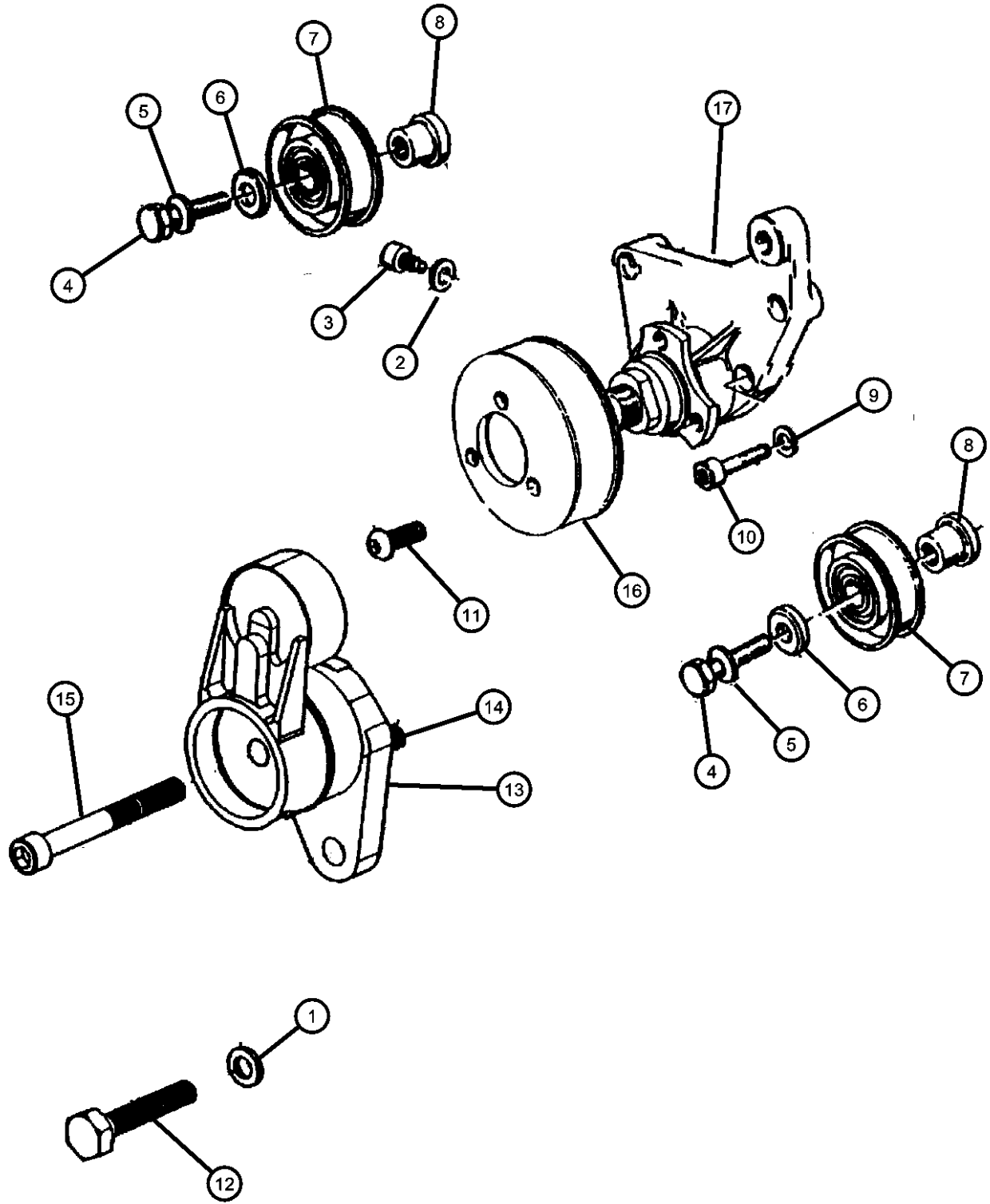
SERIES LINE
 L = LOWLINE B = JEEP - 2WD (RHD)
 U = JEEP - 4WD (RHD)
 T = LHD - (2WD)
 J = JEEP - - LHD (4WD)

BODY
 72 = 2DR (101.4 WB)
 74 = 4 DR (101.4 WB)

ENGINE TRANSMISSION
 ENC = 2.5L 4 Cyl Turbo Diesel Engine DCB = Transmission - 4-Speed Manual, T3340
 EPE = Engine - 2.5L Power Tech I-4 Cyl. DDQ = 5-Speed Manual Transmission
 ERH = 4.0L Power Tech I-6 Engine DDG = 5-Speed HD Manual Transmission
 ENO = Engines - ALL 4/5 CYL Turbo Diesel DGD = 3-Spd. Automatic 30RH Transmission
 ERO = Engines - All 4.0L 6 Cyl Gas DGK = 4-Spd. Automatic 42RE Transmission
 EP0 = ENGINES - ALL 2.5L 4 CYL GAS DGS = 4-Speed Automatic AW4 Transmission
 DGT = 4-Spd. Automatic 46RE Transmission
 DGW = TRANSMISSION - 4-SPD. AUTOMATIC, 44RE
 DGX = 4-Speed Automatic Transmission
 DGY = No Description Available
 DGZ = Transmission- 4-Spd. Automatic, MT643
 DBB = ALL MANUAL TRANSMISSIONS
 DG0 = TRANSMISSIONS - ALL AUTOMATIC

AR = use ase required - = Non illustrated part

Drive Pulleys, 2.5L Diesel Engine (EN0)
Figure 7-415



ITEM	PART NUMBER	QTY	LINE	SERIES	BODY	ENGINE	TRANS	TRIM	DESCRIPTION
------	-------------	-----	------	--------	------	--------	-------	------	-------------

Note: Sales Code EN0 = 2.5L Diesel Engine

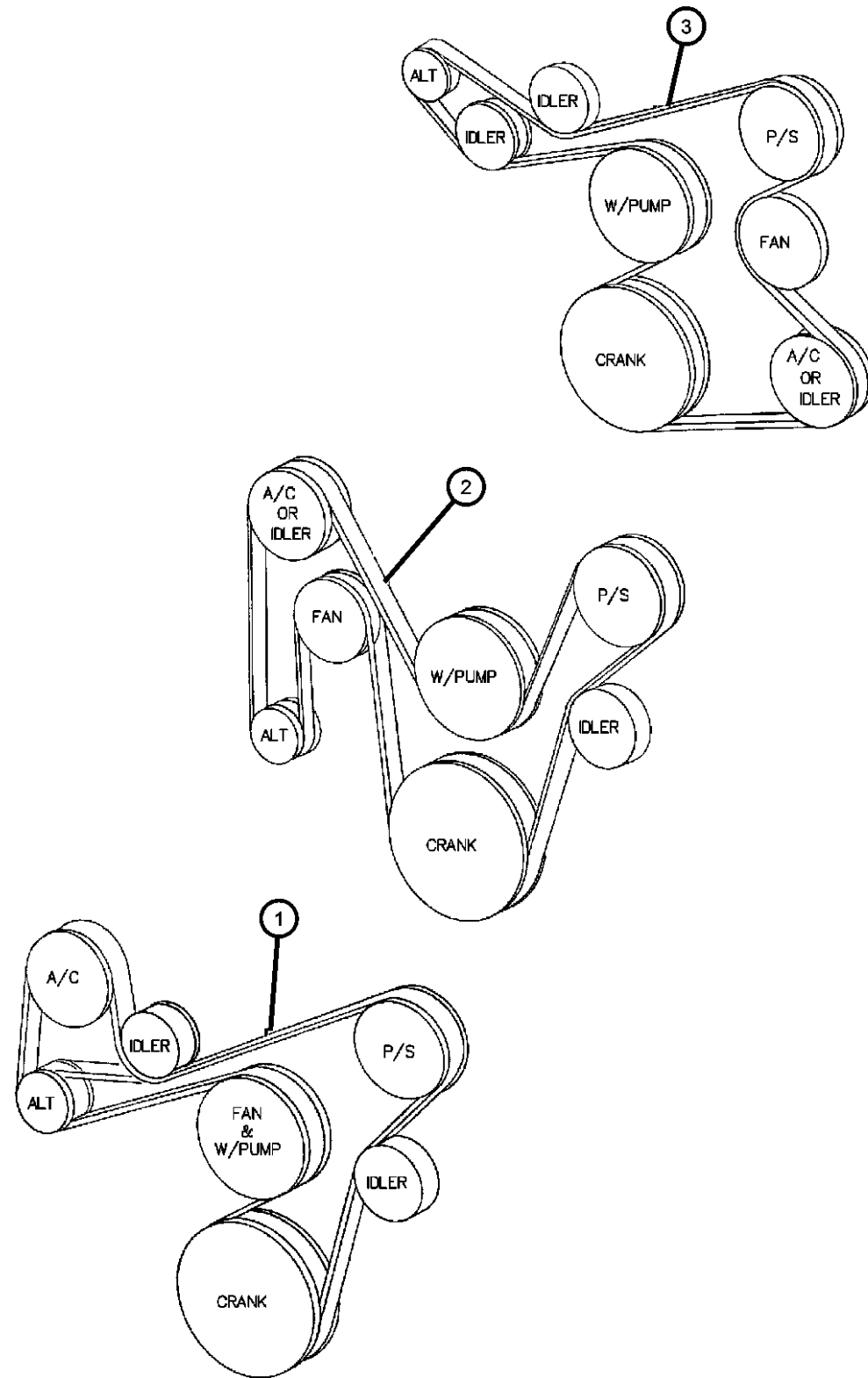
1	04864758	2				EN0			WASHER
2	04723200	1				EN0			WASHER, Flat
3	04796030	1				EN0			SCREW, Fan Bearing
4	04796030	1							BOLT, Left Hand Thread, M10x50, (NOT REQUIRED)
5	04720243	6				EN0			WASHER, Lock, M10
6	04720243	6							WASHER, Idler Pulley, (NOT REQUIRED)
7	05003567AA	2				EN0			PULLEY, Idler
8	05003567AA	2							SHAFT, Idler Pulley, (NOT REQUIRED)
9	04720688	4				EN0			WASHER, Flat
10	04797768	4				EN0			BOLT, Vacuum Pump Bracket, M10x35
11	04864559	3				EN0			SCREW
12	05003536AA	1				EN0			BOLT, Belt Tensioner
13	04897159AA	1				EN0			TENSIONER, Belt
14	04883528AA	1				EN0			BOLT, Adaptor Plate
15	04886053AA	1				EN0			BOLT, Belt Tensioner
16	04883491AA	1				EN0			PULLEY, Fan
17	05003566AA	1				EN0			BRACKET, Fan

CHEROKEE (XJ)

SERIES	LINE	BODY	ENGINE	TRANSMISSION
L = LOWLINE	B = JEEP - 2WD (RHD) U = JEEP - 4WD (RHD) T = LHD - (2WD) J = JEEP - - LHD (4WD)	72 = 2DR (101.4 WB) 74 = 4 DR (101.4 WB)	ENC = 2.5L 4 Cyl Turbo Diesel Engine EPE = Engine - 2.5L Power Tech I-4 Cyl. ERH = 4.0L Power Tech I-6 Engine ENO = Engines - ALL 4/5 CYL Turbo Diesel ERO = Engines - All 4.0L 6 Cyl Gas EPO = ENGINES - ALL 2.5L 4 CYL GAS	DCB = Transmission - 4-Speed Manual, T3340 DDQ = 5-Speed Manual Transmission DDX = 5-Speed HD Manual Transmission DGD = 3-Spd. Automatic 30RH Transmission DGK = 4-Spd. Automatic 42RE Transmission DGS = 4-Speed Automatic AW4 Transmission DGT = 4-Spd. Automatic 46RE Transmission DGW = TRANSMISSION - 4-SPD. AUTOMATIC, 44RE DGX = 4-Speed Automatic Transmission DGY = No Description Available DGZ = Transmission- 4-Spd. Automatic, MT643 DBB = ALL MANUAL TRANSMISSIONS DGO = TRANSMISSIONS - ALL AUTOMATIC

AR = use ase required - = Non illustrated part

Drive Belts
Figure 7-510



ITEM	PART NUMBER	QTY	LINE	SERIES	BODY	ENGINE	TRANS	TRIM	DESCRIPTION
1									BELT, Accessory Drive
	53010257	1	J, T			EP0			2.5L Engine, Heater
	53010311	1	B, U			EP0			2.5L Engine, Heater
	53011035	1	J, T			EP0			2.5L Engine, A/C
	53012002	1	B, U			EP0			2.5L Engine, A/C
2	53010314	1	J, T			ER0			BELT, Accessory Drive, 4.0L Engine
3	53010234	1	B, U			ER0			BELT, Accessory Drive, 4.0L Engine
-4									LABEL, Belt Routing
	53010297	1	B, U			ER0			
	53010298	1				EP0			
	53010299	1	J, T			ER0			
	53040078	1				EN0			

CHEROKEE (XJ)

SERIES

L = LOWLINE
 B = JEEP - 2WD (RHD)
 U = JEEP - 4WD (RHD)
 T = LHD - (2WD)
 J = JEEP - - LHD (4WD)

LINE

BODY

72 = 2DR (101.4 WB)
 74 = 4 DR (101.4 WB)

ENGINE

ENC = 2.5L 4 Cyl Turbo Diesel Engine
 EPE = Engine - 2.5L Power Tech I-4 Cyl.
 ERH = 4.0L Power Tech I-6 Engine
 ENO = Engines - ALL 4/5 CYL Turbo Diesel
 ERO = Engines - All 4.0L 6 Cyl Gas
 EP0 = ENGINES - ALL 2.5L 4 CYL GAS

TRANSMISSION

DCB = Transmission - 4-Speed Manual, T3340
 DDQ = 5-Speed Manual Transmission
 DDG = 5-Speed HD Manual Transmission
 DGD = 3-Spd. Automatic 30RH Transmission
 DGK = 4-Spd. Automatic 42RE Transmission
 DGS = 4-Speed Automatic AW4 Transmission
 DGT = 4-Spd. Automatic 46RE Transmission
 DGW = TRANSMISSION - 4-SPD. AUTOMATIC, 44RE
 DGX = 4-Speed Automatic Transmission
 DGY = No Description Available
 DGZ = Transmission- 4-Spd. Automatic, MT643
 DBB = ALL MANUAL TRANSMISSIONS
 DGO = TRANSMISSIONS - ALL AUTOMATIC

AR = use ase required - = Non illustrated part

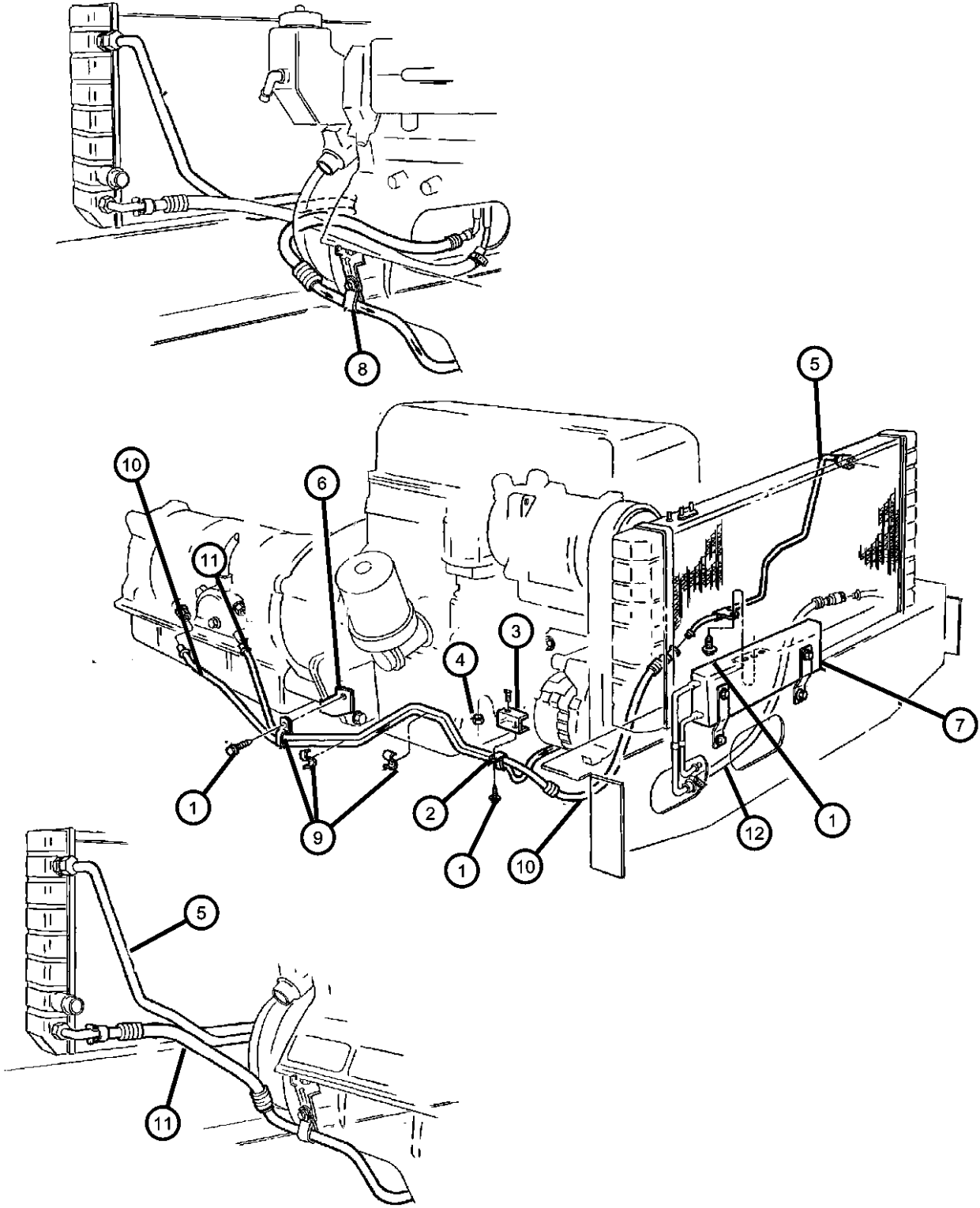
Oil Cooler Lines, LHD

Figure 7-610

ITEM	PART NUMBER	QTY	LINE	SERIES	BODY	ENGINE	TRANS	TRIM	DESCRIPTION
------	-------------	-----	------	--------	------	--------	-------	------	-------------

Note: Sales Code DG0 = All Auto Trans
 Note: Sales Code DGD = 3 Speed Auto Trans
 Note: Sales Code ER0 = 4.0L Engine
 Note: Sales Code EP0 = 2.5L Engine

1	06035058	4				ER0	DG0		SCREW, Hex Flange Head, .19-16x.50
2	34202698	1				ER0	DG0		CLIP, Oil Tube
3	53004990	1				ER0	DG0		BRACKET, Oil Cooler Tube
4	06033560	2				ER0	DG0		NUT AND WASHER, Hex Nut-Coned Washer, .25-20
5	52028328	1	T, J			ER0	DG0		TUBE, Supply
6	53004631	1				ER0	DG0		BRACKET, Oil Cooler Tube
7	52028517	1	B, U			ER0			COOLER, Transmission Oil
8	34202697	2	J, T			ER0	DG0		CLIP, Oil Cooler Tube
9	34202697	2							CLIP, (NOT SERVICED)
10									TUBE AND HOSE, Return
	52028566AB	1	J, T			ER0	DG0		
	52118569AD	1	J, T			EP0	DGD		
11	52028605AB	1	J, T			ER0	DG0		TUBE AND HOSE, Supply
12	05003096AB	1	J, T			EP0, ER0	DG0		HOSE AND CONNECTOR, Oil Cooler



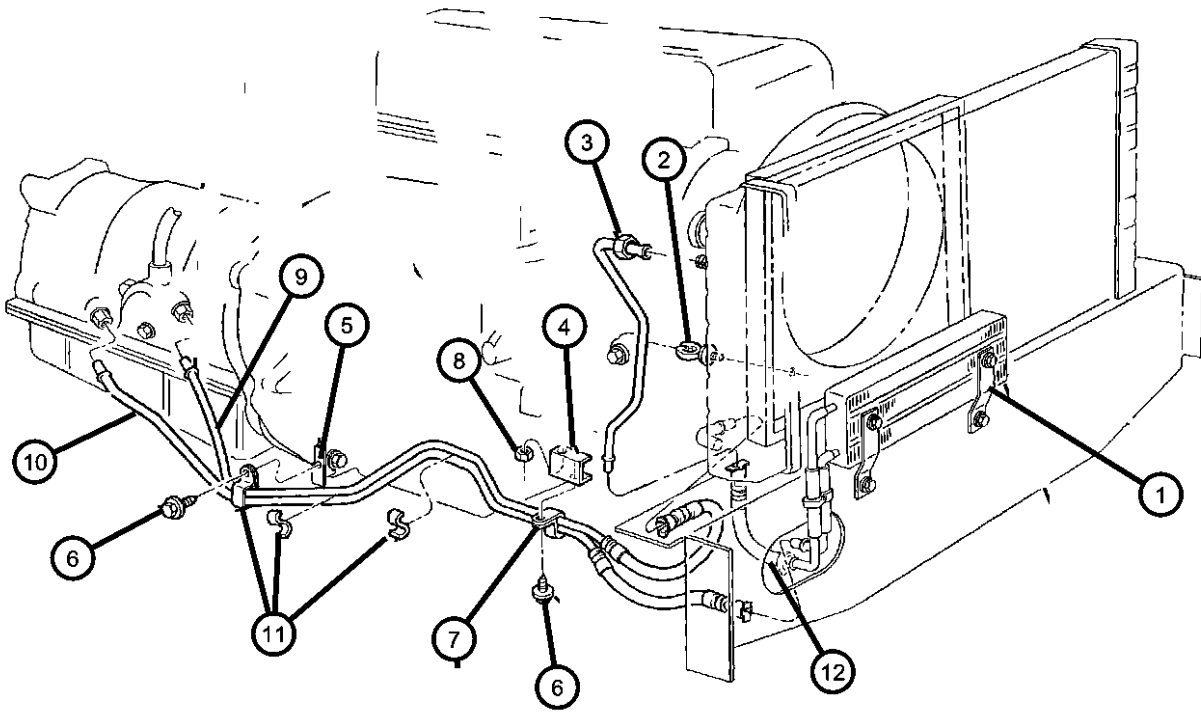
CHEROKEE (XJ)

SERIES	LINE	BODY	ENGINE	TRANSMISSION
L = LOWLINE	B = JEEP - 2WD (RHD) U = JEEP - 4WD (RHD) T = LHD - (2WD) J = JEEP - - LHD (4WD)	72 = 2DR (101.4 WB) 74 = 4 DR (101.4 WB)	ENC = 2.5L 4 Cyl Turbo Diesel Engine EPE = Engine - 2.5L Power Tech I-4 Cyl. ERH = 4.0L Power Tech I-6 Engine ENO = Engines - ALL 4/5 CYL Turbo Diesel ERO = Engines - All 4.0L 6 Cyl Gas EP0 = ENGINES - ALL 2.5L 4 CYL GAS	DCB = Transmission - 4-Speed Manual, T3340 DDQ = 5-Speed Manual Transmission DDX = 5-Speed HD Manual Transmission DGD = 3-Spd. Automatic 30RH Transmission DGK = 4-Spd. Automatic 42RE Transmission DGS = 4-Speed Automatic AW4 Transmission DGT = 4-Spd. Automatic 46RE Transmission DGW = TRANSMISSION - 4-SPD. AUTOMATIC, 44RE DGX = 4-Speed Automatic Transmission DGY = No Description Available DGZ = Transmission- 4-Spd. Automatic, MT643 DBB = ALL MANUAL TRANSMISSIONS DG0 = TRANSMISSIONS - ALL AUTOMATIC

AR = use ase required - = Non illustrated part

Oil Cooler Lines, RHD
Figure 7-620

ITEM	PART NUMBER	QTY	LINE	SERIES	BODY	ENGINE	TRANS	TRIM	DESCRIPTION
Note: Sales Code ER0 = 4.0L Engine									
Note: Sales Code DG0 = All Auto Trans									
1	52028517	1	B, U			ER0			COOLER, Transmission Oil
2	32000404	3	B, U						CLIP, Tube
3	52028310	1	B, U			ER0	DG0		TUBE, Oil Cooler
4	53004990	1				ER0	DG0		BRACKET, Oil Cooler Tube
5	53004631	1				ER0	DG0		BRACKET, Oil Cooler Tube
6	06035058	4				ER0	DG0		SCREW, Hex Flange Head, .19-16x.50
7	34202698	1				ER0	DG0		CLIP, Oil Tube
8	06033560	1	B, U			ER0			NUT AND WASHER, Hex Nut-Coned Washer, .25-20
9	52028561	1	B, U			ER0	DG0		TUBE, Oil Cooler
10	52028567	1	B, U			ER0	DG0		TUBE, Oil Cooler
11	52028567	1							CLIP, (NOT SERVICED)
12	05015643AA	1	B, U			ER0			HOSE AND CONNECTOR, Oil Cooler



CHEROKEE (XJ)

SERIES	LINE	BODY	ENGINE	TRANSMISSION
L = LOWLINE	B = JEEP - 2WD (RHD) U = JEEP - 4WD (RHD) T = LHD - (2WD) J = JEEP - - LHD (4WD)	72 = 2DR (101.4 WB) 74 = 4 DR (101.4 WB)	ENC = 2.5L 4 Cyl Turbo Diesel Engine EPE = Engine - 2.5L Power Tech I-4 Cyl. ERH = 4.0L Power Tech I-6 Engine ENO = Engines - ALL 4/5 CYL Turbo Diesel ERO = Engines - All 4.0L 6 Cyl Gas EPO = ENGINES - ALL 2.5L 4 CYL GAS	DCB = Transmission - 4-Speed Manual, T3340 DDQ = 5-Speed Manual Transmission DDX = 5-Speed HD Manual Transmission DGD = 3-Spd. Automatic 30RH Transmission DGK = 4-Spd. Automatic 42RE Transmission DGS = 4-Speed Automatic AW4 Transmission DGT = 4-Spd. Automatic 46RE Transmission DGW = TRANSMISSION - 4-SPD. AUTOMATIC, 44RE DGX = 4-Speed Automatic Transmission DGY = No Description Available DGZ = Transmission- 4-Spd. Automatic, MT643 DBB = ALL MANUAL TRANSMISSIONS DG0 = TRANSMISSIONS - ALL AUTOMATIC

AR = use ase required - = Non illustrated part

Group - 8

Electrical

Group - 8 Electrical

Illustration Title

Group-Fig. No.

Starters

Starter & Mounting (2.5L & 4.0L Engines)..... Fig. 8 - 105
 Starter & Mounting (Diesel Engine)..... Fig. 8 - 110

Alternators

Alternator 2.5L & 4.0L Engine..... Fig. 8 - 205
 Alternator Diesel Engine..... Fig. 8 - 210

Distributor

Distributor 2.5L Engine Fig. 8 - 305
 Distributor 4.0L Engine Fig. 8 - 310

Modules

Modules..... Fig. 8 - 405

Relays

Relays..... Fig. 8 - 510

Sensors

Sensors Fig. 8 - 605

Single Board Engine Controllers

Single Board Engine Controllers Fig. 8 - 710

Switches

Switches & Sending Units Fig. 8 - 810

Horns

Horns..... Fig. 8 - 910

Battery Tray and Cables

Battery Tray..... Fig. 8 - 1005
 Battery Cables..... Fig. 8 - 1010

Lamps - Front, Rear and Courtesy

Lamps Fog..... Fig. 8 - 1135
 Lamps Front Fig. 8 - 1140
 Lamps Rear..... Fig. 8 - 1155
 Lamps Cargo - Dome - Underhood..... Fig. 8 - 1165
 Bulbs Fig. 8 - 1170

Wiring-Engine & Related Parts

Wiring Engine & Related Parts..... Fig. 8 - 1210

Wiring-Headlamp to Dash

Wiring Headlamp / Dash..... Fig. 8 - 1310

Wiring-Instrument Panel

Wiring Instrument Panel Fig. 8 - 1410

Wiring-Body & Accessories

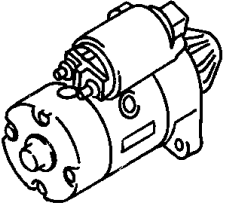
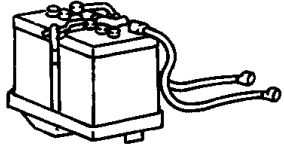
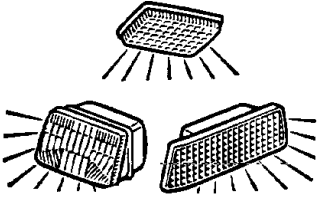
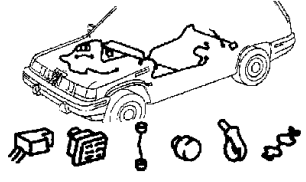

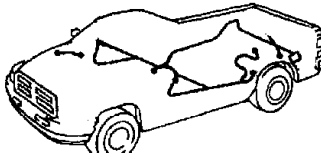
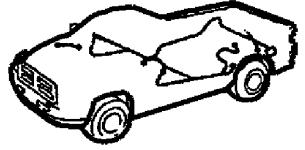
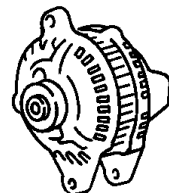
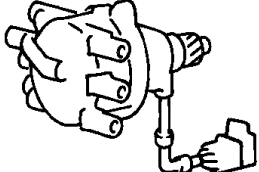
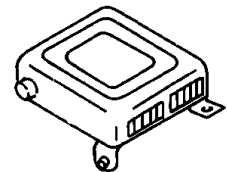
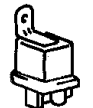
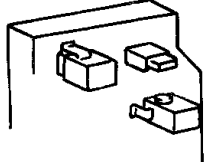
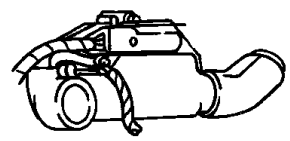
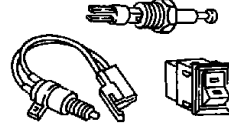
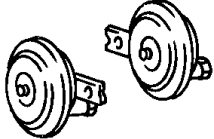
Wiring Body & Accessory..... Fig. 8 - 1510

Wiring Repair

Wiring Repair Fig. 8 - 1605
 Power Distribution Center Repair..... Fig. 8 - 1610

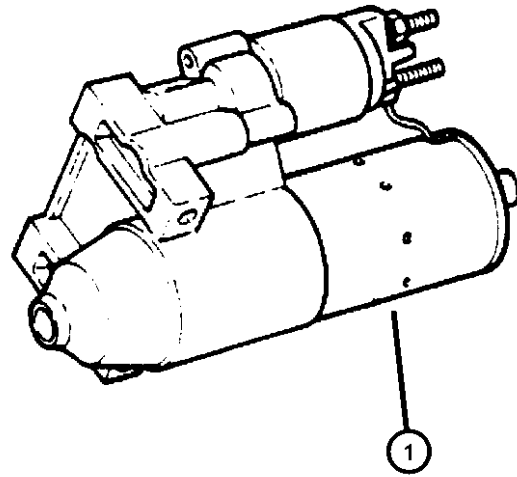
Spark Plugs-Cables-Coils

Spark Plug-Cables & Coils Fig. 8 - 1905

<p>008-100 Starters</p> 	<p>008-1000 Battery Tray and Cables</p> 	<p>008-1100 Lamps - Front, Rear and Courtesy</p> 	<p>008-1200 Wiring-Engine & Related Parts</p> 
<p>008-1300 Wiring-Headlamp to Dash</p> 	<p>008-1400 Wiring-Instrument Panel</p> <p>WIRING INSTR. PANEL</p>	<p>008-1500 Wiring-Body & Accessories</p> 	<p>008-1600 Wiring Repair</p> <p>WIRING REPAIR KIT</p>
<p>008-1900 Spark Plugs-Cables-Coils</p> 	<p>008-200 Alternators</p> 	<p>008-300 Distributor</p> 	<p>008-400 Modules</p> 
<p>008-500 Relays</p> 	<p>008-600 Sensors</p> 	<p>008-700 Single Board Engine Controllers</p> 	<p>008-800 Switches</p> 
<p>008-900 Horns</p> 			

**Starter & Mounting (2.5L & 4.0L Engines)
Figure 8-105**

ITEM	PART NUMBER	QTY	LINE	SERIES	BODY	ENGINE	TRANS	TRIM	DESCRIPTION
									EP0=2.5L Engine ER0=4.0L Engine
1	04796981	1				EP0			STARTER PACKAGE
	JR775132								Mopar Remanufactured Part
	R4796981								Mopar Remanufactured Part
-2									STARTER
	04883447AA	1				EN0			
	56041014	1				ER0			
	R6041014								Mopar Remanufactured Part
-3	J3241711	AR				EP0			SHIM, Starter Motor
-4	06503699	1				ER0			SCREW AND WASHER, Hex Head, M10x1.5x28
-5	J4006192	1				ER0			BOLT AND WASHER, Hex Head, .375-16x1.75



CHEROKEE (XJ)

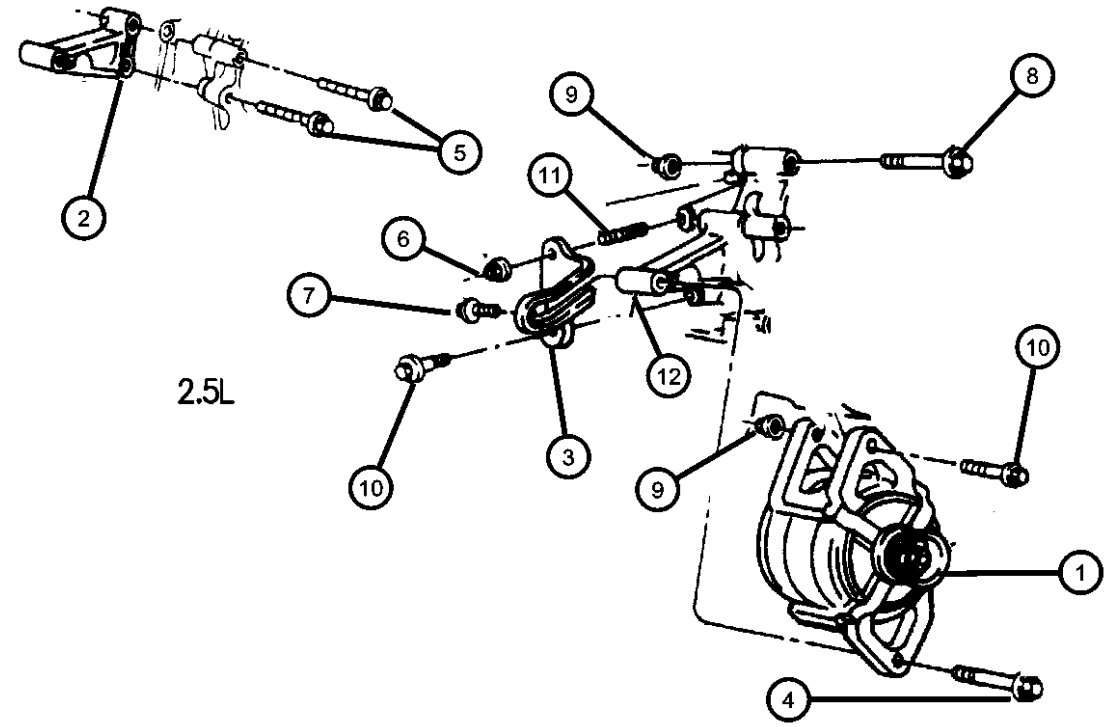
SERIES	LINE	BODY	ENGINE	TRANSMISSION
L = LOWLINE	B = JEEP - 2WD (RHD) U = JEEP - 4WD (RHD) T = LHD - (2WD) J = JEEP - - LHD (4WD)	72 = 2DR (101.4 WB) 74 = 4 DR (101.4 WB)	ENC = 2.5L 4 Cyl Turbo Diesel Engine EPE = Engine - 2.5L Power Tech I-4 Cyl. ERH = 4.0L Power Tech I-6 Engine ENO = Engines - ALL 4/5 CYL Turbo Diesel ER0 = Engines - All 4.0L 6 Cyl Gas EP0 = ENGINES - ALL 2.5L 4 CYL GAS	DCB = Transmission - 4-Speed Manual,T3340 DDQ = 5-Speed Manual Transmission DDX = 5-Speed HD Manual Transmission DGD = 3-Spd. Automatic 30RH Transmission DGK = 4-Spd. Automatic 42RE Transmission DGS = 4-Speed Automatic AW4 Transmission DGT = 4-Spd. Automatic 46RE Transmission DGW = TRANSMISSION - 4-SPD. AUTOMATIC,44RE DGX = 4-Speed Automatic Transmission DGY = No Description Available DGZ = Transmission- 4-Spd. Automatic,MT643 DBB = ALL MANUAL TRANSMISSIONS DGO = TRANSMISSIONS - ALL AUTOMATIC

AR = use ase required - = Non illustrated part

**Alternator 2.5L & 4.0L Engine
Figure 8-205**

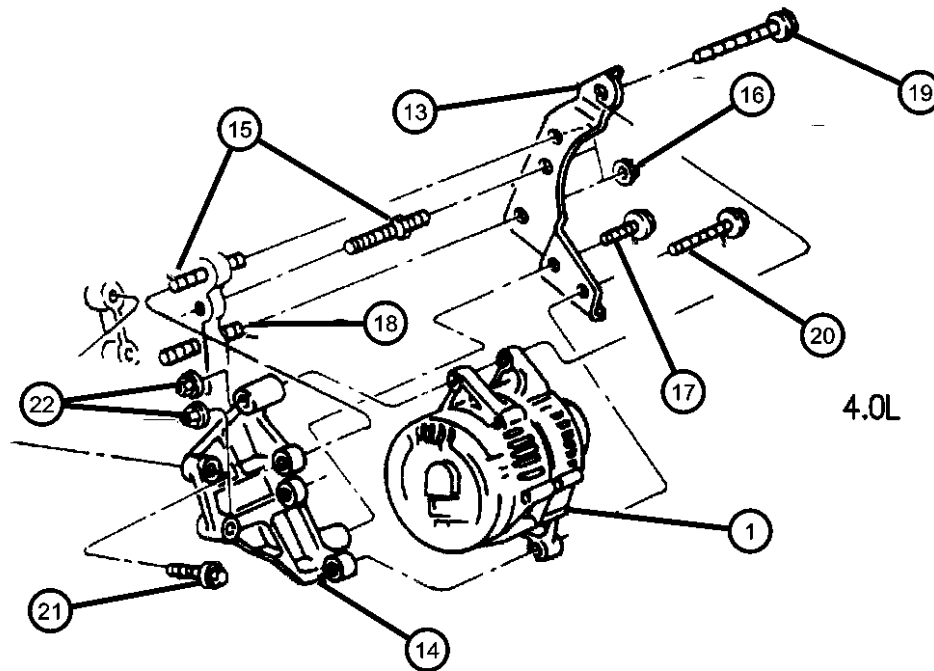
ITEM	PART NUMBER	QTY	LINE	SERIES	BODY	ENGINE	TRANS	TRIM	DESCRIPTION
------	-------------	-----	------	--------	------	--------	-------	------	-------------

EP0=2.5L Engine
ER0=4.0L Engine
ERH=4.0L Power Tech Engine
DG0=Automatic Transmission
DBB= Manual Transmission



2.5L

1									ALTERNATOR
	56005685AB	1	J, T			EP0, ER0			
		1	B, U			ER0			
	56026936	1	B, U			EP0			
2	53007604	1	J, T			EP0			BRACKET, Alternator
3	53007506	1	J, T			EP0			BRACKET, Alternator
4	06502136	1	J, T			EP0			BOLT, Hex Flange Head, M10x1.50x55
5		2	B, U			EP0			BOLT, Hex Head, .375-16x2.50
	06033949	2	J, T			EP0			
6	00152344	AR				EP0			NUT, .375-16
7									SCREW AND WASHER, Hex Head, M10x1.5x25
	06502144	1	J, T			EP0			
		1	B, U			EP0			
8	06502143	1	B, U			EP0			BOLT, Hex Flange Head, M10x1.5-80
9	06502135	2							NUT, Hex Flange, M10x1.5
10									BOLT, Hex Flange Head, M10x1.50x110



4.0L

CHEROKEE (XJ)

SERIES LINE
L = LOWLINE B = JEEP - 2WD (RHD)
U = JEEP - 4WD (RHD)
T = LHD - (2WD)
J = JEEP - - LHD (4WD)

BODY
72 = 2DR (101.4 WB)
74 = 4 DR (101.4 WB)

ENGINE TRANSMISSION
ENC = 2.5L 4 Cyl Turbo Diesel Engine
EPE = Engine - 2.5L Power Tech I-4 Cyl.
ERH = 4.0L Power Tech I-6 Engine
ENO = Engines - ALL 4/5 CYL Turbo Diesel
ERO = Engines - All 4.0L 6 Cyl Gas
EP0 = ENGINES - ALL 2.5L 4 CYL GAS
DCB = Transmission - 4-Speed Manual, T3340
DDQ = 5-Speed Manual Transmission
DDX = 5-Speed HD Manual Transmission
DGD = 3-Spd. Automatic 30RH Transmission
DGK = 4-Spd. Automatic 42RE Transmission
DGS = 4-Speed Automatic AW4 Transmission
DGT = 4-Spd. Automatic 46RE Transmission
DGW = TRANSMISSION - 4-SPD. AUTOMATIC, 44RE
DGX = 4-Speed Automatic Transmission
DGY = No Description Available
DGZ = Transmission- 4-Spd. Automatic, MT643
DBB = ALL MANUAL TRANSMISSIONS
DG0 = TRANSMISSIONS - ALL AUTOMATIC

AR = use ase required - = Non illustrated part

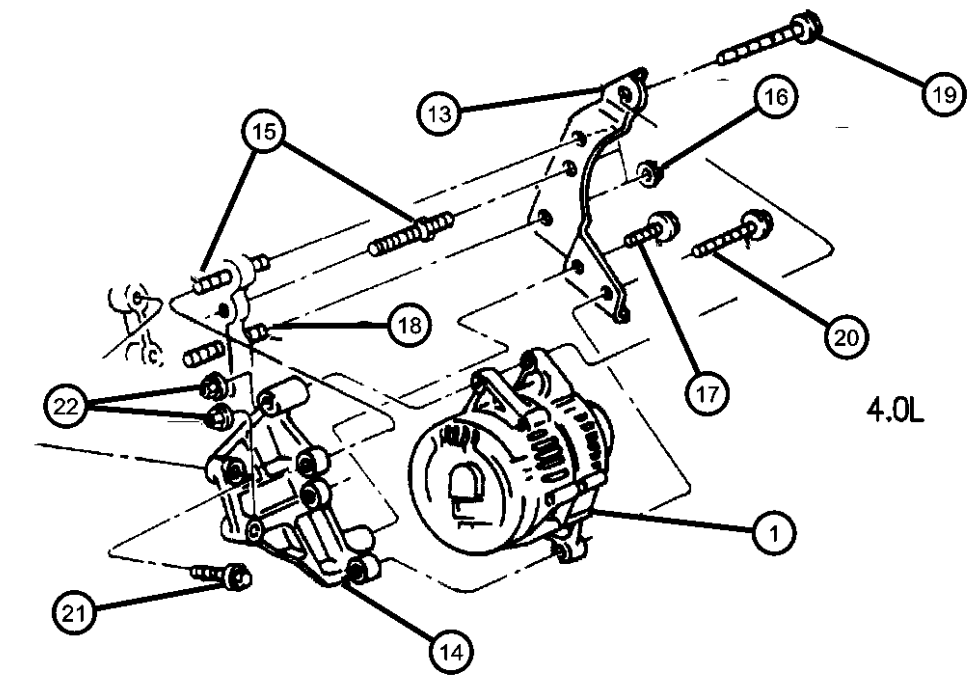
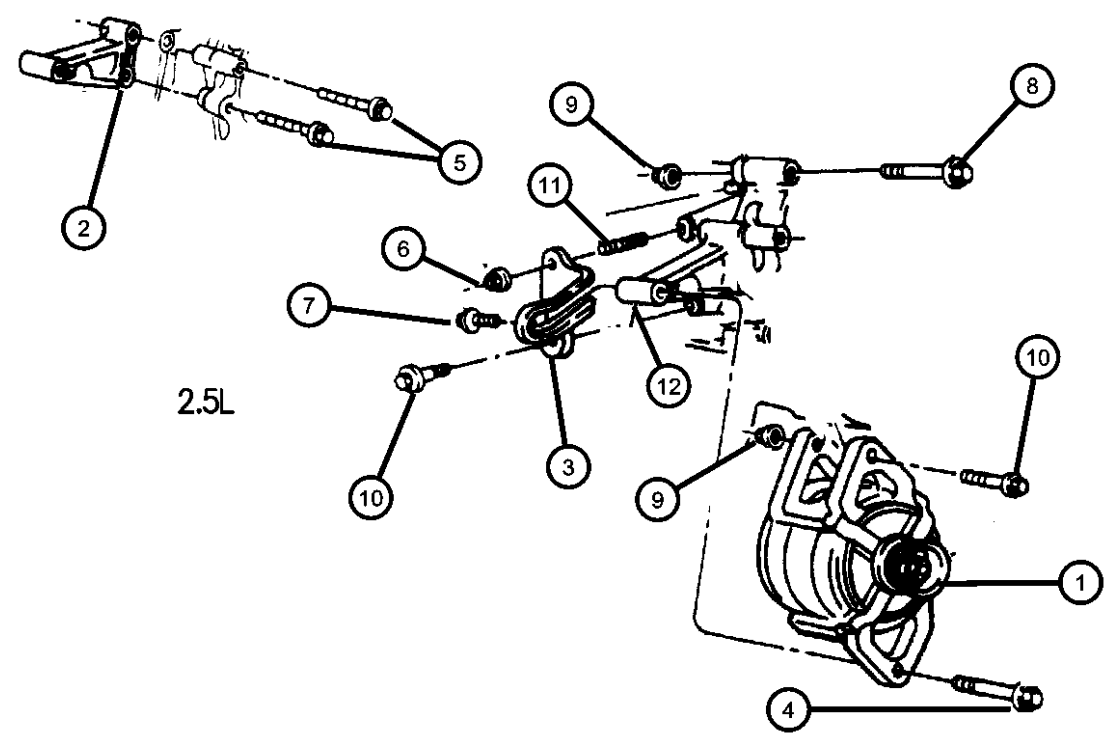
1998 XJ

**Alternator 2.5L & 4.0L Engine
Figure 8-205**

ITEM	PART NUMBER	QTY	LINE	SERIES	BODY	ENGINE	TRANS	TRIM	DESCRIPTION
	06502134	1	J, T			EP0			
		1	B, U			ER0			
11	06033883	3				EP0	DBB		STUD, .375-16x2.00"
		4				EP0	DGD		
12	53010048	1	B, U			EP0			BRACE, Alternator
13	53006869	1	J, T			ER0			BRACKET, Alternator
14	53008850	1	J, T			ER0			BRACKET, Alternator
15	06034093	2	J, T			ER0			STUD, .375-16x3.750
16	00152344	3	J, T			ER0			NUT, .375-16
17									SCREW AND WASHER, Hex Head, M10x1.5x25
	06502144	1	J, T			ER0			
		1	B, U			ER0			
18	06035744	1				ER0			STUD, .312-18/.375-16x2.875
19	06502143	1	B, U			EP0			BOLT, Hex Flange Head, M10x1.5-80
20	06502136	1	J, T			ER0			BOLT, Hex Flange Head, M10x1.50x55
21									SCREW AND WASHER, .375-16x1.125
	06025063	3	J, T			ER0			
		2	B, U			ER0			
22									NUT, Hex Flange, M10x1.5

CHEROKEE (XJ)

SERIES	LINE	BODY	ENGINE	TRANSMISSION
L = LOWLINE	B = JEEP - 2WD (RHD) U = JEEP - 4WD (RHD) T = LHD - (2WD) J = JEEP - - LHD (4WD)	72 = 2DR (101.4 WB) 74 = 4 DR (101.4 WB)	ENC = 2.5L 4 Cyl Turbo Diesel Engine EPE = Engine - 2.5L Power Tech I-4 Cyl. ERH = 4.0L Power Tech I-6 Engine ENO = Engines - ALL 4/5 CYL Turbo Diesel ERO = Engines - All 4.0L 6 Cyl Gas EP0 = ENGINES - ALL 2.5L 4 CYL GAS	DCB = Transmission - 4-Speed Manual, T3340 DDQ = 5-Speed Manual Transmission DDX = 5-Speed HD Manual Transmission DGD = 3-Spd. Automatic 30RH Transmission DGK = 4-Spd. Automatic 42RE Transmission DGS = 4-Speed Automatic AW4 Transmission DGT = 4-Spd. Automatic 46RE Transmission DGW = TRANSMISSION - 4-SPD. AUTOMATIC, 44RE DGX = 4-Speed Automatic Transmission DGY = No Description Available DGZ = Transmission- 4-Spd. Automatic, MT643 DBB = ALL MANUAL TRANSMISSIONS DGO = TRANSMISSIONS - ALL AUTOMATIC

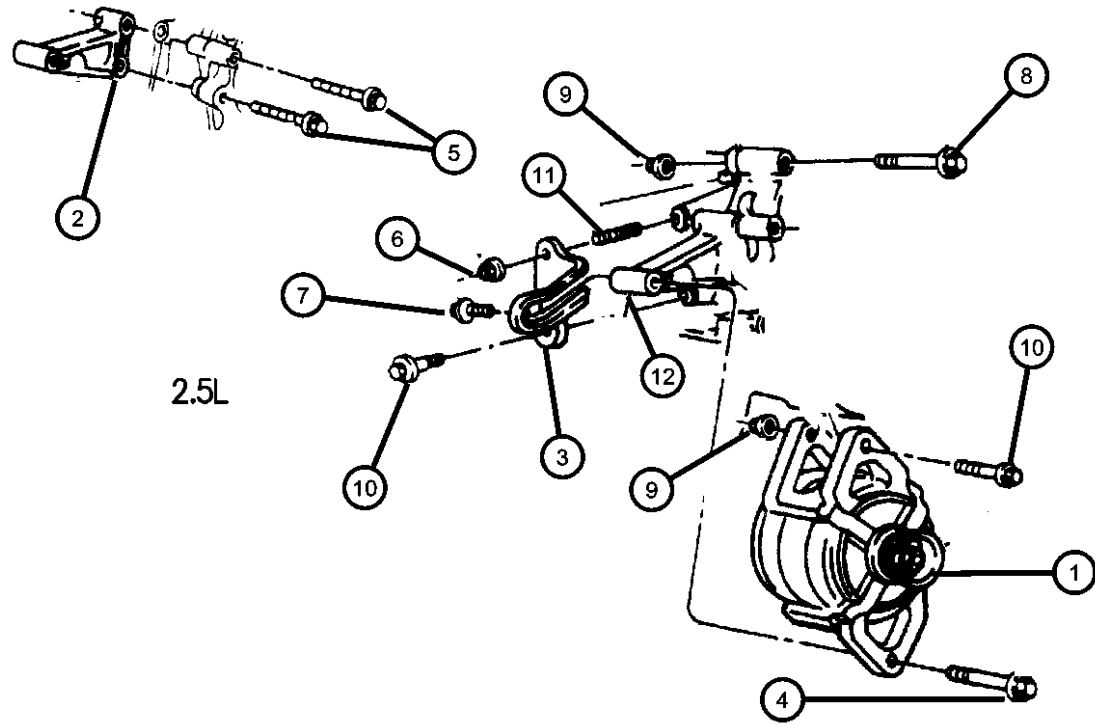


AR = use ase required - = Non illustrated part

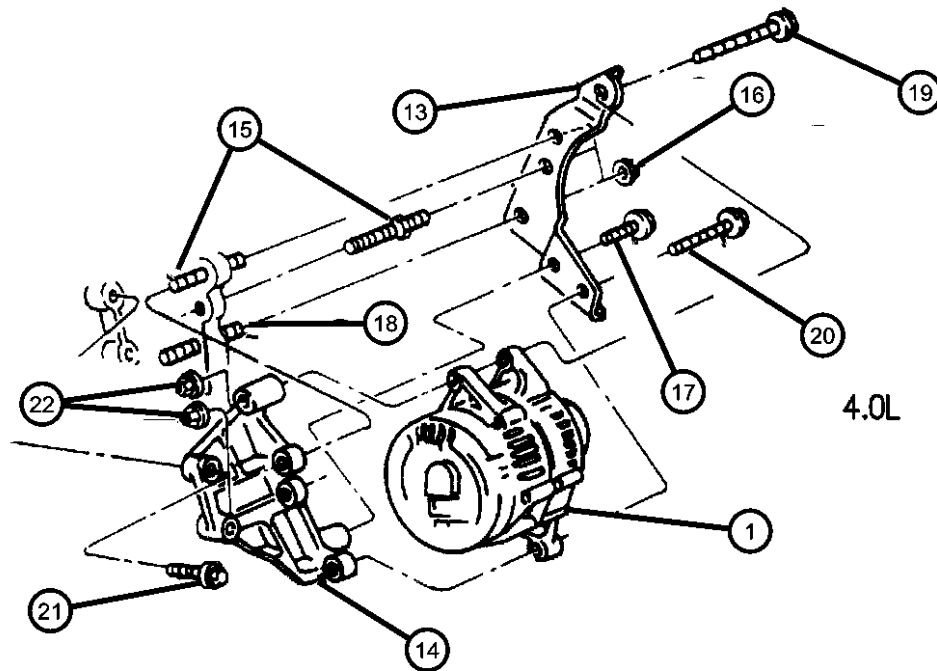
Alternator 2.5L & 4.0L Engine
Figure 8-205

ITEM	PART NUMBER	QTY	LINE	SERIES	BODY	ENGINE	TRANS	TRIM	DESCRIPTION
------	-------------	-----	------	--------	------	--------	-------	------	-------------

	06502135	1	J, T			ER0			
		1	B, U			ER0			



2.5L



4.0L

CHEROKEE (XJ)

SERIES	LINE
L = LOWLINE	B = JEEP - 2WD (RHD) U = JEEP - 4WD (RHD) T = LHD - (2WD) J = JEEP - - LHD (4WD)

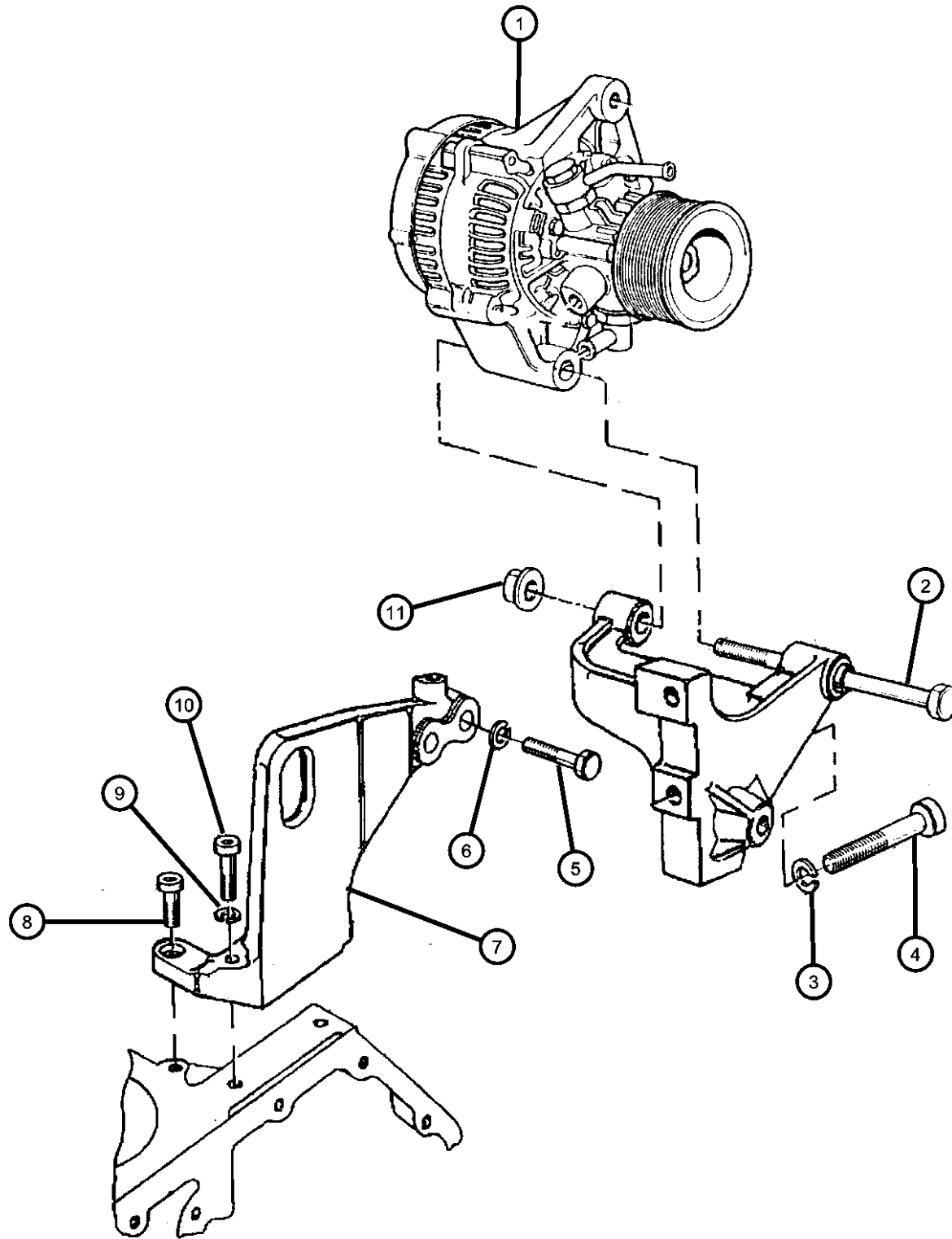
BODY
72 = 2DR (101.4 WB) 74 = 4 DR (101.4 WB)

ENGINE	TRANSMISSION
ENC = 2.5L 4 Cyl Turbo Diesel Engine	DCB = Transmission - 4-Speed Manual,T3340
EPE = Engine - 2.5L Power Tech I-4 Cyl.	DDQ = 5-Speed Manual Transmission
ERH = 4.0L Power Tech I-6 Engine	DDX = 5-Speed HD Manual Transmission
ENO = Engines - ALL 4/5 CYL Turbo Diesel	DGD = 3-Spd. Automatic 30RH Transmission
ER0 = Engines - All 4.0L 6 Cyl Gas	DGK = 4-Spd. Automatic 42RE Transmission
EPO = ENGINES - ALL 2.5L 4 CYL GAS	DGS = 4-Speed Automatic AW4 Transmission
	DGT = 4-Spd. Automatic 46RE Transmission
	DGW = TRANSMISSION - 4-SPD. AUTOMATIC,44RE
	DGX = 4-Speed Automatic Transmission
	DGY = No Description Available
	DGZ = Transmission- 4-Spd. Automatic,MT643
	DBB = ALL MANUAL TRANSMISSIONS
	DG0 = TRANSMISSIONS - ALL AUTOMATIC

AR = use ase required - = Non illustrated part

1998 XJ

Alternator Diesel Engine
Figure 8-210



ITEM	PART NUMBER	QTY	LINE	SERIES	BODY	ENGINE	TRANS	TRIM	DESCRIPTION
EN0=4 Cylinder Turbo Diesel Engine DDQ=Manual Transmission 5 Speed									
1	05003561AA	1				EN0			ALTERNATOR
2	05003561AA	1							SCREW, Cap, M10x150, (NOT SERVICED)
3	04864758	2				EN0			WASHER
4	04864745	1				EN0			BOLT
5	04864745	1							BOLT, Starter, (NOT SERVICED)
6	04723165	2				EN0			WASHER, P Clip
7									BRACKET, Alternator
	05003568AA	1				EN0			Lower
	05003569AA	1				EN0			Upper
8	04720684	1				EN0			BOLT, Tow Hook
9	04210983	1	J, U			EN0	DDQ		WASHER, Flat
10	04797768	4				EN0			BOLT, Vacuum Pump Bracket, M10x35
11	04796038	1				EN0			NUT, Hex Flange, M10x1.5

CHEROKEE (XJ)

SERIES LINE
L = LOWLINE B = JEEP - 2WD (RHD)
U = JEEP - 4WD (RHD)
T = LHD - (2WD)
J = JEEP - - LHD (4WD)

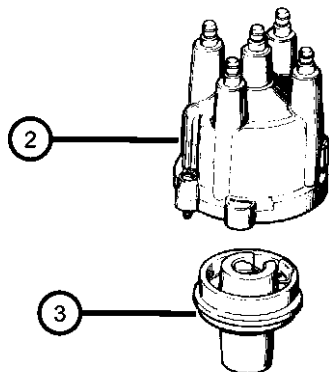
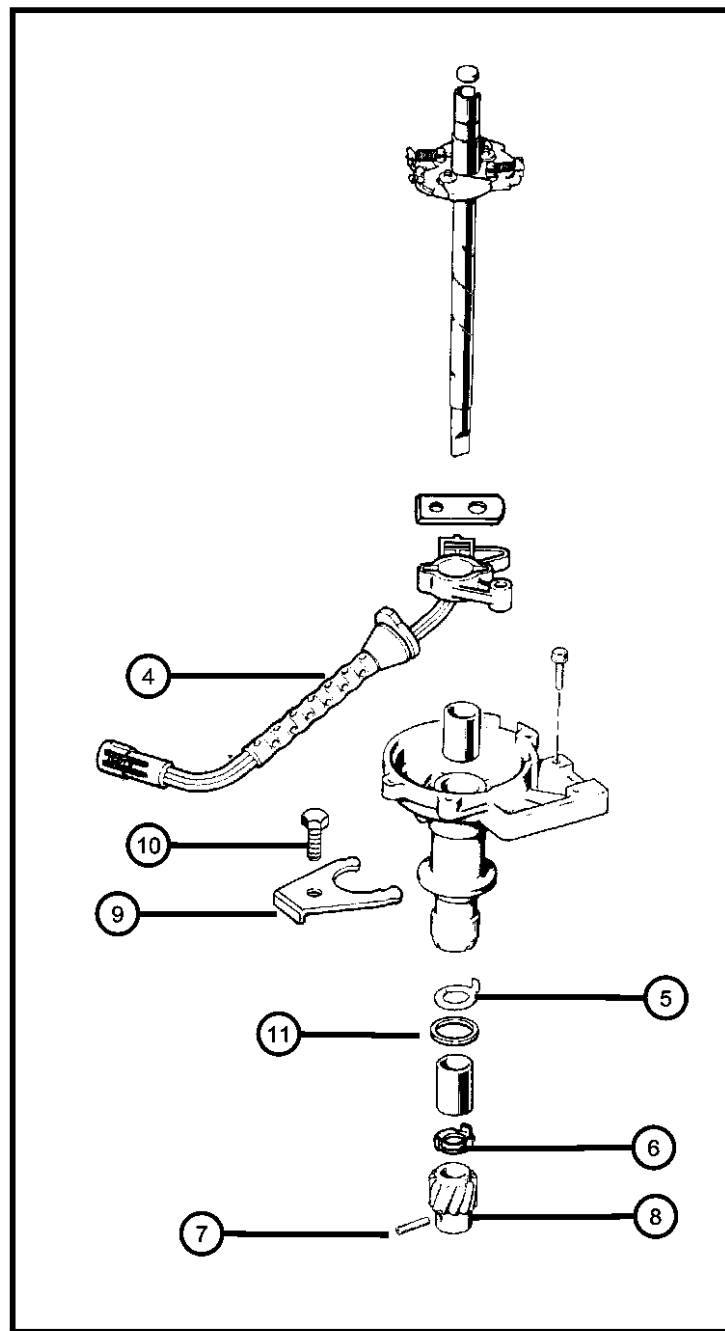
BODY
72 = 2DR (101.4 WB)
74 = 4 DR (101.4 WB)

ENGINE TRANSMISSION
ENC = 2.5L 4 Cyl Turbo Diesel Engine
EPE = Engine - 2.5L Power Tech I-4 Cyl.
ERH = 4.0L Power Tech I-6 Engine
ENO = Engines - ALL 4/5 CYL Turbo Diesel
ERO = Engines - All 4.0L 6 Cyl Gas
EPO = ENGINES - ALL 2.5L 4 CYL GAS
DCB = Transmission - 4-Speed Manual,T3340
DDQ = 5-Speed Manual Transmission
DDX = 5-Speed HD Manual Transmission
DGD = 3-Spd. Automatic 30RH Transmission
DGK = 4-Spd. Automatic 42RE Transmission
DGS = 4-Speed Automatic AW4 Transmission
DGT = 4-Spd. Automatic 46RE Transmission
DGW = TRANSMISSION - 4-SPD. AUTOMATIC,44RE
DGX = 4-Speed Automatic Transmission
DGY = No Description Available
DGZ = Transmission- 4-Spd. Automatic,MT643
DBB = ALL MANUAL TRANSMISSIONS
DGO = TRANSMISSIONS - ALL AUTOMATIC

AR = use ase required - = Non illustrated part

1998 XJ

**Distributor 2.5L Engine
Figure 8-305**



ITEM	PART NUMBER	QTY	LINE	SERIES	BODY	ENGINE	TRANS	TRIM	DESCRIPTION
EP0=2.5L Engine DGD=Automatic Transmission 3 Speed									
1	56041033	1				EP0			DISTRIBUTOR, Engine
2	53006152AB	1				EP0			CAP, Distributor
3	56027019	1				EP0			ROTOR, Distributor
4	56041030	1				EP0			SWITCHPLATE, Distributor
5	53009078	1				EP0			WASHER, Distributor Gear
6	53009078	1				EP0			WASHER, Distributor Gear
7	09422127	1				EP0			ROLL PIN, .19x.75
8	83504635	1				EP0			GEAR, Distributor Drive
9	33004242	1				EP0, ER0			CLAMP, Distributor
10	06033479	6	B, T			EP0	DGD		BOLT, Hex Head, .25-28x1-5/8
11	J3181288	1				EP0, ER0			GASKET, Distributor

CHEROKEE (XJ)

SERIES LINE
 L = LOWLINE B = JEEP - 2WD (RHD)
 U = JEEP - 4WD (RHD)
 T = LHD - (2WD)
 J = JEEP - - LHD (4WD)

BODY
 72 = 2DR (101.4 WB)
 74 = 4 DR (101.4 WB)

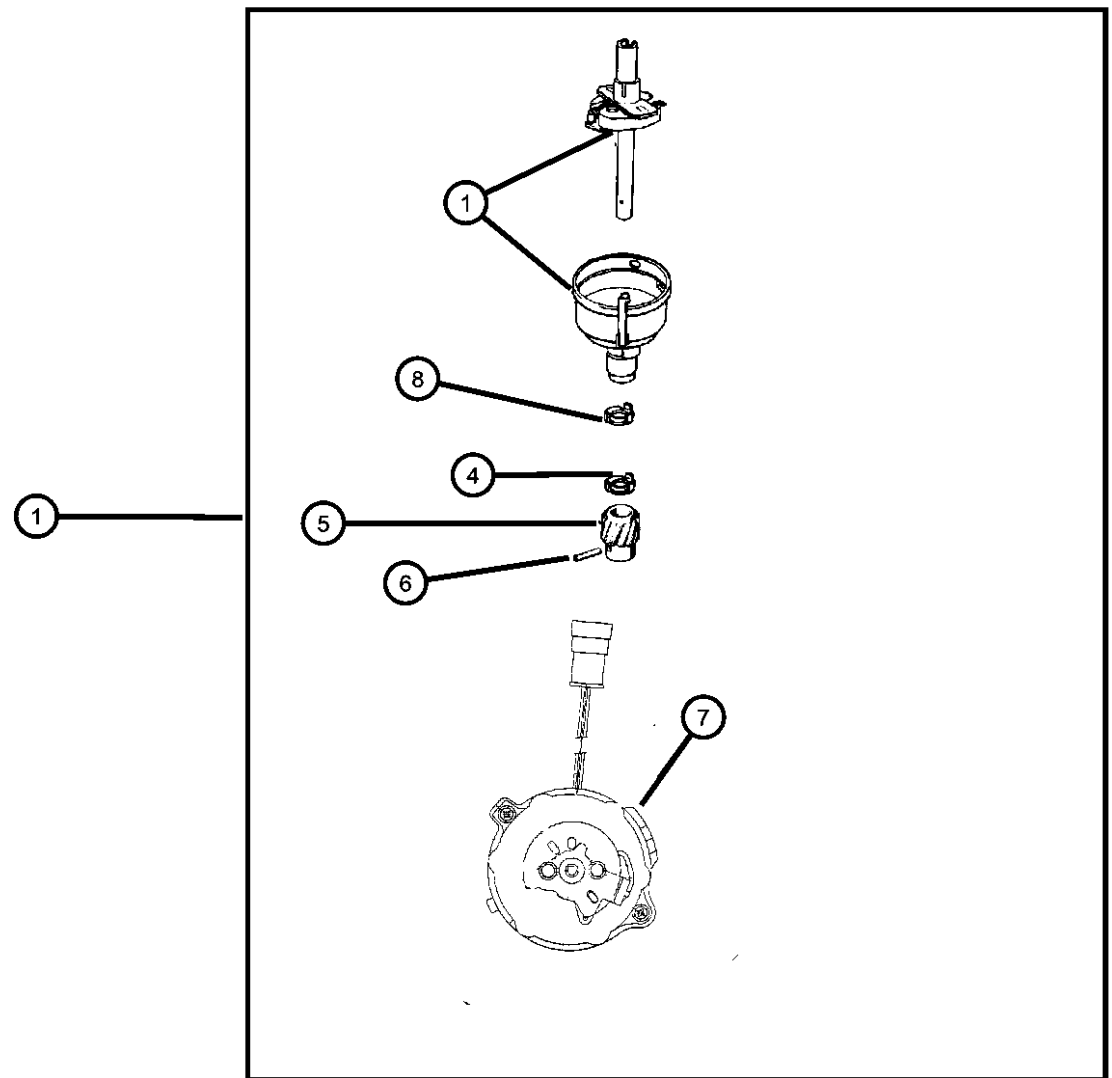
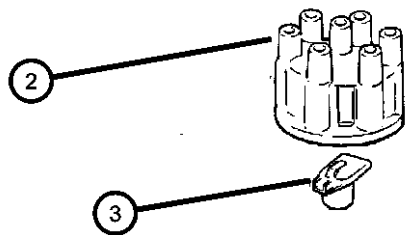
ENGINE TRANSMISSION
 ENC = 2.5L 4 Cyl Turbo Diesel Engine
 EPE = Engine - 2.5L Power Tech I-4 Cyl.
 ERH = 4.0L Power Tech I-6 Engine
 ENO = Engines - ALL 4/5 CYL Turbo Diesel
 ERO = Engines - All 4.0L 6 Cyl Gas
 EP0 = ENGINES - ALL 2.5L 4 CYL GAS

DCB = Transmission - 4-Speed Manual,T3340
 DDQ = 5-Speed Manual Transmission
 DDX = 5-Speed HD Manual Transmission
 DGD = 3-Spd. Automatic 30RH Transmission
 DGK = 4-Spd. Automatic 42RE Transmission
 DGS = 4-Speed Automatic AW4 Transmission
 DGT = 4-Spd. Automatic 46RE Transmission
 DGW = TRANSMISSION - 4-SPD. AUTOMATIC,44RE
 DGX = 4-Speed Automatic Transmission
 DGY = No Description Available
 DGZ = Transmission- 4-Spd. Automatic,MT643
 DBB = ALL MANUAL TRANSMISSIONS
 DGO = TRANSMISSIONS - ALL AUTOMATIC

AR = use ase required - = Non illustrated part

**Distributor 4.0L Engine
Figure 8-310**

ITEM	PART NUMBER	QTY	LINE	SERIES	BODY	ENGINE	TRANS	TRIM	DESCRIPTION
ER0=4.0L Engine									
1	56041034	1				ER0			DISTRIBUTOR, Engine
2	56026876	1				ER0			CAP, Distributor
3	56027019	1				ER0			ROTOR, Distributor
4	33004594	1				ER0			WASHER, Distributor Gear
5	83504635	1				ER0			GEAR, Distributor Drive
6	09422127	1				ER0			ROLL PIN, .19x.75
7	56041030	1				ER0			SWITCHPLATE, Distributor
8	53009078	1				ER0			WASHER, Distributor Gear
-9	J3181288	1				EP0, ER0			GASKET, Distributor



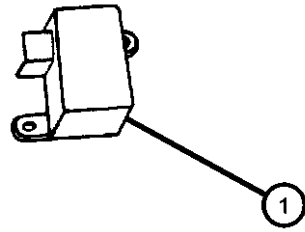
CHEROKEE (XJ)

SERIES	LINE	BODY	ENGINE	TRANSMISSION
L = LOWLINE	B = JEEP - 2WD (RHD) U = JEEP - 4WD (RHD) T = LHD - (2WD) J = JEEP - - LHD (4WD)	72 = 2DR (101.4 WB) 74 = 4 DR (101.4 WB)	ENC = 2.5L 4 Cyl Turbo Diesel Engine EPE = Engine - 2.5L Power Tech I-4 Cyl. ERH = 4.0L Power Tech I-6 Engine ENO = Engines - ALL 4/5 CYL Turbo Diesel ERO = Engines - All 4.0L 6 Cyl Gas EP0 = ENGINES - ALL 2.5L 4 CYL GAS	DCB = Transmission - 4-Speed Manual,T3340 DDQ = 5-Speed Manual Transmission DDX = 5-Speed HD Manual Transmission DGD = 3-Spd. Automatic 30RH Transmission DGK = 4-Spd. Automatic 42RE Transmission DGS = 4-Speed Automatic AW4 Transmission DGT = 4-Spd. Automatic 46RE Transmission DGW = TRANSMISSION - 4-SPD. AUTOMATIC,44RE DGX = 4-Speed Automatic Transmission DGY = No Description Available DGZ = Transmission- 4-Spd. Automatic,MT643 DBB = ALL MANUAL TRANSMISSIONS DGO = TRANSMISSIONS - ALL AUTOMATIC

AR = use ase required - = Non illustrated part

**Modules
Figure 8-405**

ITEM	PART NUMBER	QTY	LINE	SERIES	BODY	ENGINE	TRANS	TRIM	DESCRIPTION
									[ER0]=4.0L Engine [DG0]=Automatic Transmission
1	56004262	1							MODULE, Daytime Running Lamp
-2	56009324	1							MODULE, Headlamp Delay
-3	56041386AA	1				ER0	DG0		MODULE, Transmission Control
-4	56007323AD	1							MODULE, Air Bag Control
-5									MODULE, Security Alarm
	05011619AA	1							with Keyless Entry
	05012164AA	1							without Keyless Entry
	56009712AC	1							with Sentry Key & Immobilizer
-6									MODULE PACKAGE, Keyless Entry
	05003378AB	1							
	05003382AB	1							Europe



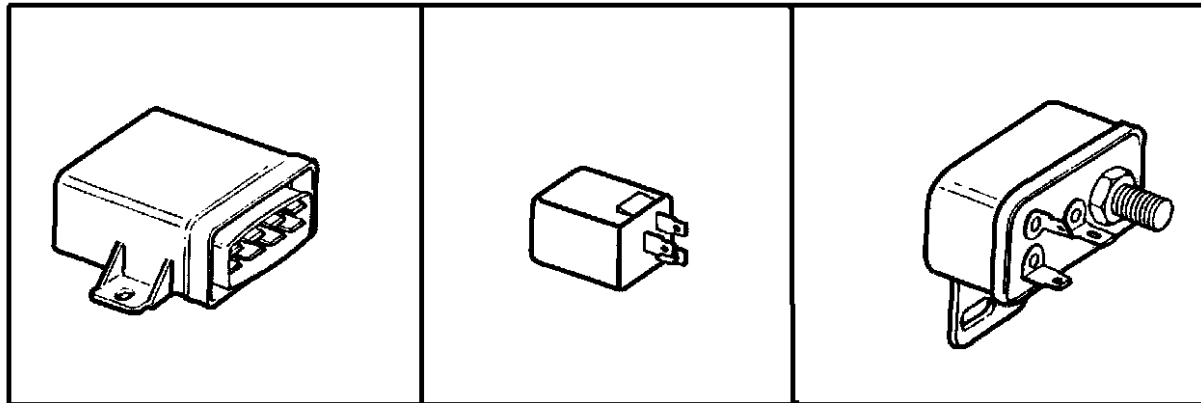
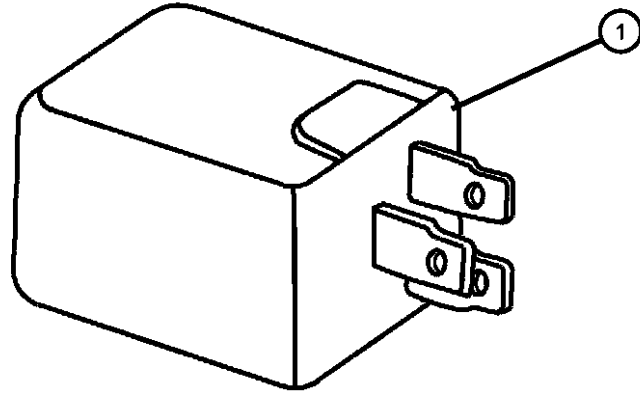
CHEROKEE (XJ)

SERIES	LINE	BODY	ENGINE	TRANSMISSION
L = LOWLINE	B = JEEP - 2WD (RHD) U = JEEP - 4WD (RHD) T = LHD - (2WD) J = JEEP - - LHD (4WD)	72 = 2DR (101.4 WB) 74 = 4 DR (101.4 WB)	ENC = 2.5L 4 Cyl Turbo Diesel Engine EPE = Engine - 2.5L Power Tech I-4 Cyl. ERH = 4.0L Power Tech I-6 Engine ENO = Engines - ALL 4/5 CYL Turbo Diesel ERO = Engines - All 4.0L 6 Cyl Gas EPO = ENGINES - ALL 2.5L 4 CYL GAS	DCB = Transmission - 4-Speed Manual,T3340 DDQ = 5-Speed Manual Transmission DDX = 5-Speed HD Manual Transmission DGD = 3-Spd. Automatic 30RH Transmission DGK = 4-Spd. Automatic 42RE Transmission DGS = 4-Speed Automatic AW4 Transmission DGT = 4-Spd. Automatic 46RE Transmission DGW = TRANSMISSION - 4-SPD. AUTOMATIC,44RE DGX = 4-Speed Automatic Transmission DGY = No Description Available DGZ = Transmission- 4-Spd. Automatic,MT643 DBB = ALL MANUAL TRANSMISSIONS DG0 = TRANSMISSIONS - ALL AUTOMATIC

AR = use ase required - = Non illustrated part

Relays
Figure 8-510

ITEM	PART NUMBER	QTY	LINE	SERIES	BODY	ENGINE	TRANS	TRIM	DESCRIPTION
[EN0]=4 Cylinder Turbo Diesel Engine									
1	56007236AB	1				ENO			RELAY, Electrical, Glow Plug
-2	56009057	1	J, U						RELAY, Rear Fog Lamp
-3	56006846	2							RELAY, Electrical, Trailer Tow
-4	04638094	1							RELAY PACKAGE, Electrical, Horn, Fuel Heater, Cigar Lighter, Auto. Shut Down, Starter Motor, Heated Back Lite, Cooling Fan & Fuel Pump
-5	04671168	1							RELAY, Mini, A/C Relay& Fog Light
-6	56021551	1							FLASHER, Combo (USA/CANADA)
-7	56009711	1	J, U						FLASHER, Cobbo (EUROPE)
-8	04604235	1							BREAKER, Circuit



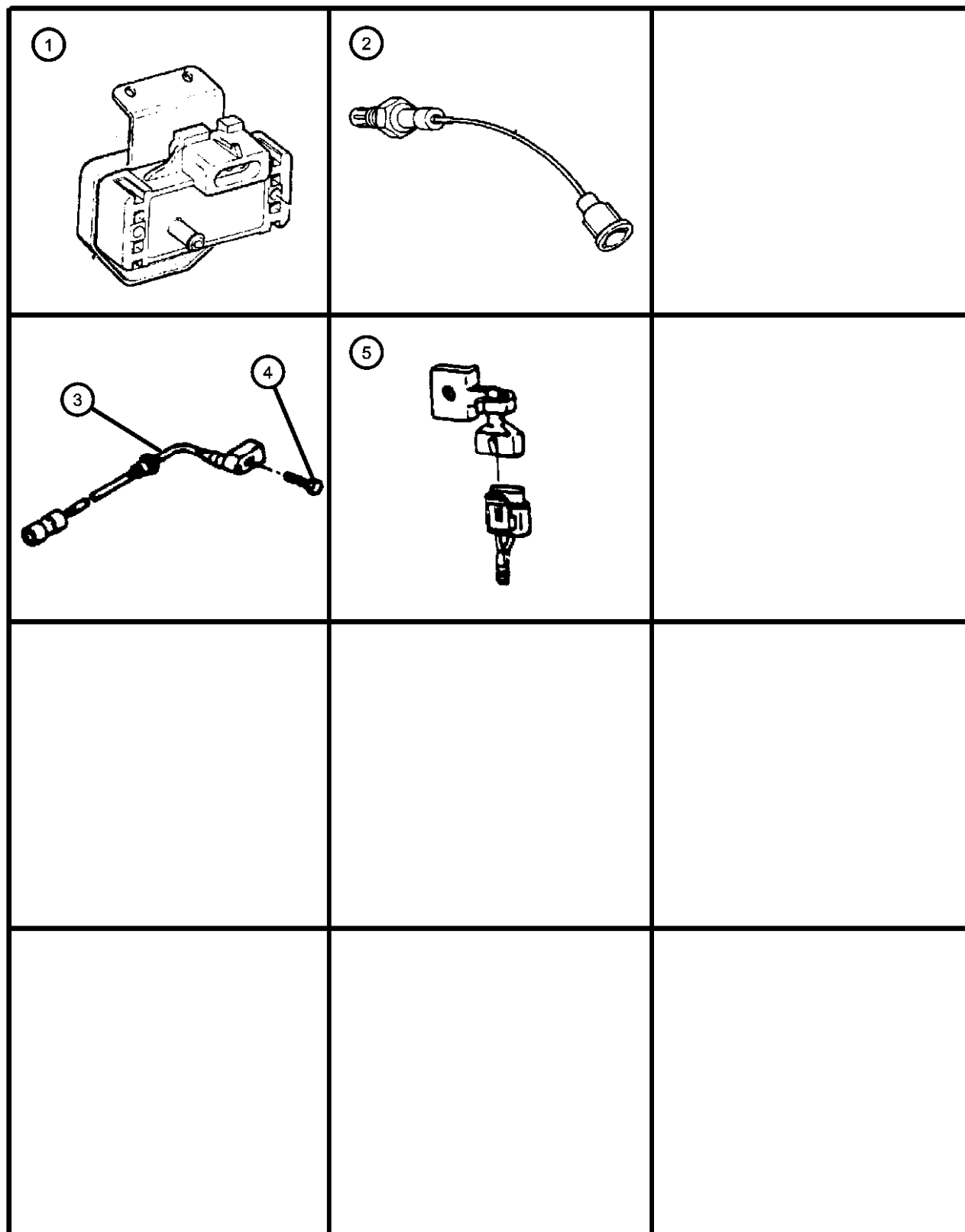
CHEROKEE (XJ)

SERIES LINE
L = LOWLINE B = JEEP - 2WD (RHD)
U = JEEP - 4WD (RHD)
T = LHD - (2WD)
J = JEEP - - LHD (4WD)

BODY
72 = 2DR (101.4 WB)
74 = 4 DR (101.4 WB)

ENGINE TRANSMISSION
ENC = 2.5L 4 Cyl Turbo Diesel Engine DCB = Transmission - 4-Speed Manual,T3340
EPE = Engine - 2.5L Power Tech I-4 Cyl. DDQ = 5-Speed Manual Transmission
ERH = 4.0L Power Tech I-6 Engine DDX = 5-Speed HD Manual Transmission
DGD = 3-Spd. Automatic 30RH
ENO = Engines - ALL 4/5 CYL Turbo Diesel Transmission
DVK = 4-Spd. Automatic 42RE
ERO = Engines - All 4.0L 6 Cyl Gas Transmission
DGS = 4-Speed Automatic AW4
EPO = ENGINES - ALL 2.5L 4 CYL GAS Transmission
DGT = 4-Spd. Automatic 46RE
Transmission
DGW = TRANSMISSION - 4-SPD. AUTOMATIC,44RE
DGX = 4-Speed Automatic Transmission
DGY = No Description Available
DGZ = Transmission- 4-Spd. Automatic,MT643
DBB = ALL MANUAL TRANSMISSIONS
DGO = TRANSMISSIONS - ALL AUTOMATIC

Sensors
Figure 8-605



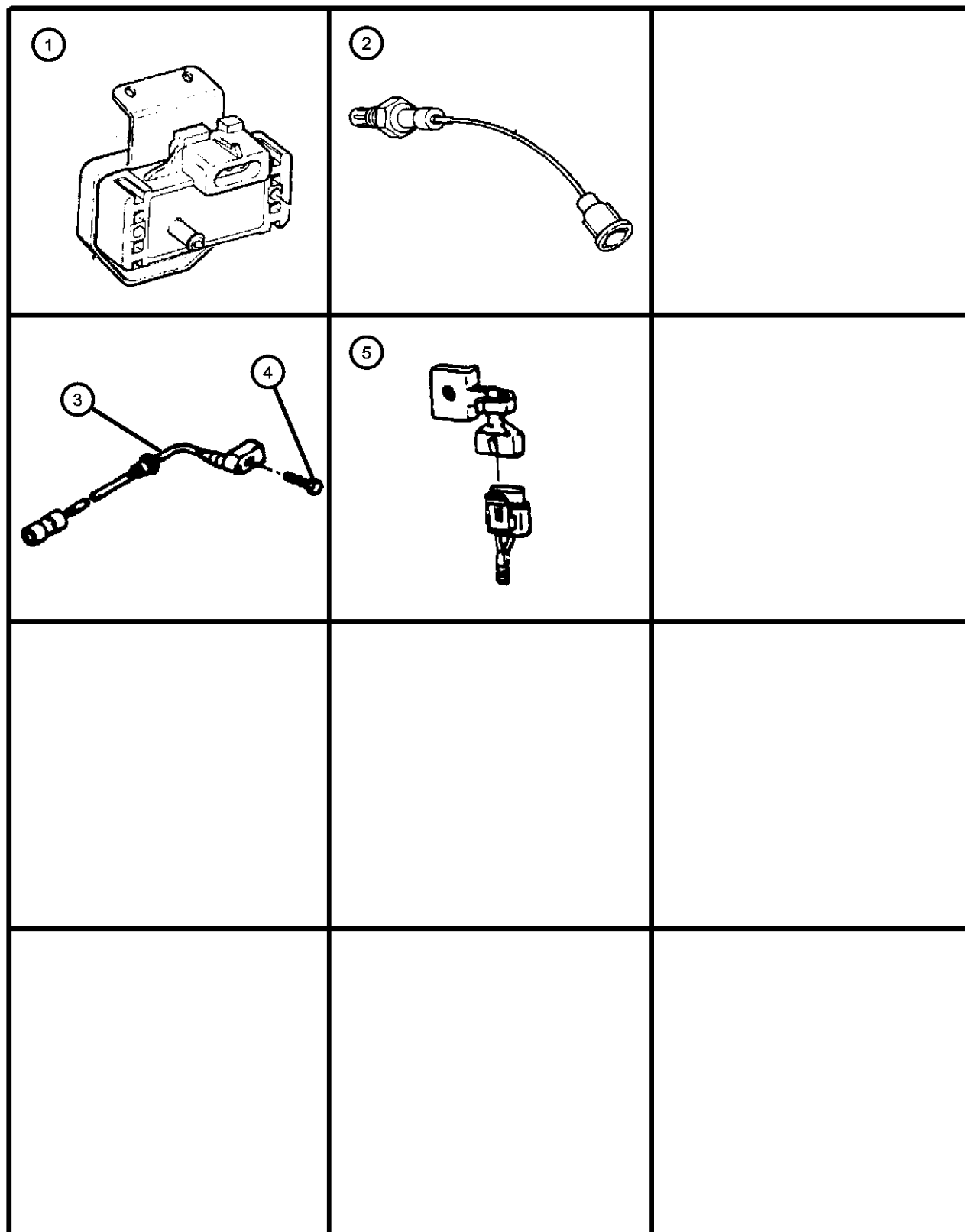
ITEM	PART NUMBER	QTY	LINE	SERIES	BODY	ENGINE	TRANS	TRIM	DESCRIPTION
									[EP0]=2.5L Engine [ER0]=4.0L Engine [EN0]=4 Cylinder Turbo Diesel Engine [ENC]=2.5L 4 Cylinder Turbo Diesel Engine
1	56029405	1				EP0, ER0			SENSOR, MAP
2									SENSOR, Oxygen
	56041212	1				ER0			Before Catalyst with 18' Pigtail
	56041213	1				EP0			Before Catalyst with 12' Pigtail
	56041213AB	1				EP0, ER0			After Catalyst with 12' Pigtail
3									SENSOR, Anti-Lock Brakes
	52005932	1							Rear, Right
	52005933	1							Rear, Left
	56005217	2	J						Front 4WD (RHD)
		2	U						
		2	J			ENC			
		2	U			ENC			Front Diesel (RHD)
4	83504920	2							BOLT
5									SENSOR, Ambient Temperature
	04688204AB	1							with Overhead Console
	56027872	1				EP0, ER0			without Overhead Console
-6	56009026AB	1							WIRING, Temperature Sensor Jumper, Ambient Temp Sensor
-7									BRACKET, Oxygen Sensor
	56027978	1				EP0, ER0			Before Catalyst

CHEROKEE (XJ)

SERIES	LINE	BODY	ENGINE	TRANSMISSION
L = LOWLINE	B = JEEP - 2WD (RHD) U = JEEP - 4WD (RHD) T = LHD - (2WD) J = JEEP - - LHD (4WD)	72 = 2DR (101.4 WB) 74 = 4 DR (101.4 WB)	ENC = 2.5L 4 Cyl Turbo Diesel Engine EPE = Engine - 2.5L Power Tech I-4 Cyl. ERH = 4.0L Power Tech I-6 Engine ENO = Engines - ALL 4/5 CYL Turbo Diesel ERO = Engines - All 4.0L 6 Cyl Gas EP0 = ENGINES - ALL 2.5L 4 CYL GAS	DCB = Transmission - 4-Speed Manual,T3340 DDQ = 5-Speed Manual Transmission DDX = 5-Speed HD Manual Transmission DGD = 3-Spd. Automatic 30RH Transmission DGK = 4-Spd. Automatic 42RE Transmission DGS = 4-Speed Automatic AW4 Transmission DGT = 4-Spd. Automatic 46RE Transmission DGW = TRANSMISSION - 4-SPD. AUTOMATIC,44RE DGX = 4-Speed Automatic Transmission DGY = No Description Available DGZ = Transmission- 4-Spd. Automatic,MT643 DBB = ALL MANUAL TRANSMISSIONS DGO = TRANSMISSIONS - ALL AUTOMATIC

AR = use ase required - = Non illustrated part

Sensors
Figure 8-605



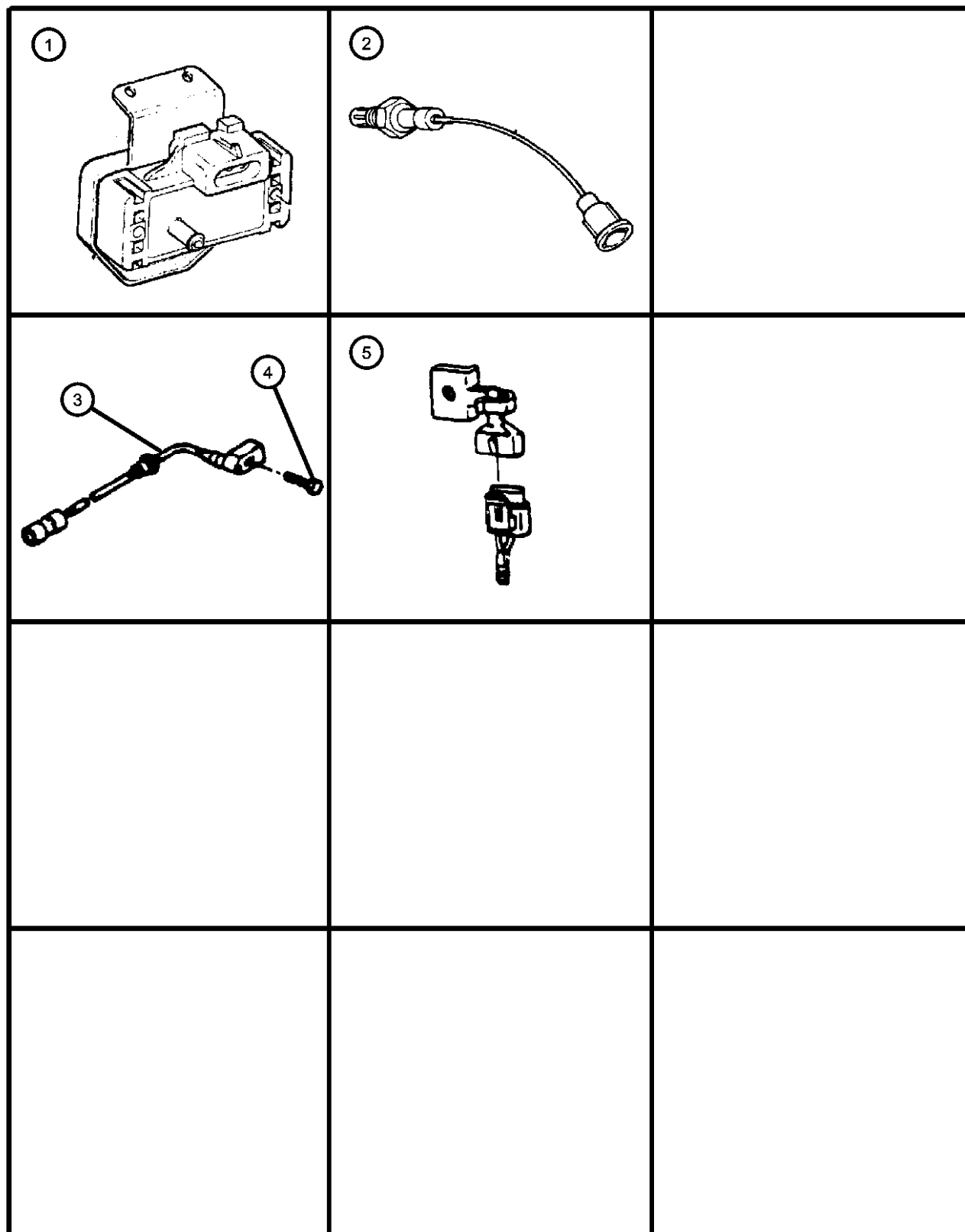
ITEM	PART NUMBER	QTY	LINE	SERIES	BODY	ENGINE	TRANS	TRIM	DESCRIPTION
-8	56041000	1				EP0, ERO			After Catalyst SENSOR, Vehicle Speed
-9	04897734AA	1	J, U			ER0	DGS		
		1	B, T			ER0	DGS		
-10	01556385	1	B, T			EP0	DGD		O RING
	04863833	1				EN0			SENSOR, Crankshaft Position
-11	56027866AB	1				ER0			
	56027867AB	1				EP0			SENSOR PACKAGE, Throttle Position
-12	04863996	1				EP0			
-13		1				ER0			SENSOR, Washer Fluid Level, (NOT REQUIRED) SENSOR, Coolant Temperature
	04686192	1				EN0			Diesel
-14	56027873	1				EP0, ERO			2.5L & 4.0L Engine BRACKET, Brake Sensor
	56026996	1							Front (Right)
	56026997	1							Front (Left)
-15	56027963	1				EN0			SENSOR, Engine Electric Control

CHEROKEE (XJ)

SERIES	LINE	BODY	ENGINE	TRANSMISSION
L = LOWLINE	B = JEEP - 2WD (RHD) U = JEEP - 4WD (RHD) T = LHD - (2WD) J = JEEP - - LHD (4WD)	72 = 2DR (101.4 WB) 74 = 4 DR (101.4 WB)	ENC = 2.5L 4 Cyl Turbo Diesel EPE = Engine - 2.5L Power Tech I-4 Cyl. ERH = 4.0L Power Tech I-6 Engine ENO = Engines - ALL 4/5 CYL Turbo Diesel ERO = Engines - All 4.0L 6 Cyl Gas EP0 = ENGINES - ALL 2.5L 4 CYL GAS	DCB = Transmission - 4-Speed Manual,T3340 DDQ = 5-Speed Manual Transmission DDX = 5-Speed HD Manual Transmission DGD = 3-Spd. Automatic 30RH Transmission DGK = 4-Spd. Automatic 42RE Transmission DGS = 4-Speed Automatic AW4 Transmission DGT = 4-Spd. Automatic 46RE Transmission DGW = TRANSMISSION - 4-SPD. AUTOMATIC,44RE DGX = 4-Speed Automatic Transmission DGY = No Description Available DGZ = Transmission- 4-Spd. Automatic,MT643 DBB = ALL MANUAL TRANSMISSIONS DGO = TRANSMISSIONS - ALL AUTOMATIC

AR = use ase required - = Non illustrated part

Sensors
Figure 8-605



ITEM	PART NUMBER	QTY	LINE	SERIES	BODY	ENGINE	TRANS	TRIM	DESCRIPTION
-16	34202536	2				EP0	DGD		STUD, .312-18x2.26, Crank Sensor Mounting
-17	04883258	1				EN0			SENSOR PACKAGE, Air Flow Meter

CHEROKEE (XJ)

SERIES

L = LOWLINE

LINE

B = JEEP - 2WD (RHD)
U = JEEP - 4WD (RHD)
T = LHD - (2WD)
J = JEEP - - LHD (4WD)

BODY

72 = 2DR (101.4 WB)
74 = 4 DR (101.4 WB)

ENGINE

ENC = 2.5L 4 Cyl Turbo Diesel Engine
EPE = Engine - 2.5L Power Tech I-4 Cyl.
ERH = 4.0L Power Tech I-6 Engine
ENO = Engines - ALL 4/5 CYL Turbo Diesel
ERO = Engines - All 4.0L 6 Cyl Gas
EPO = ENGINES - ALL 2.5L 4 CYL GAS

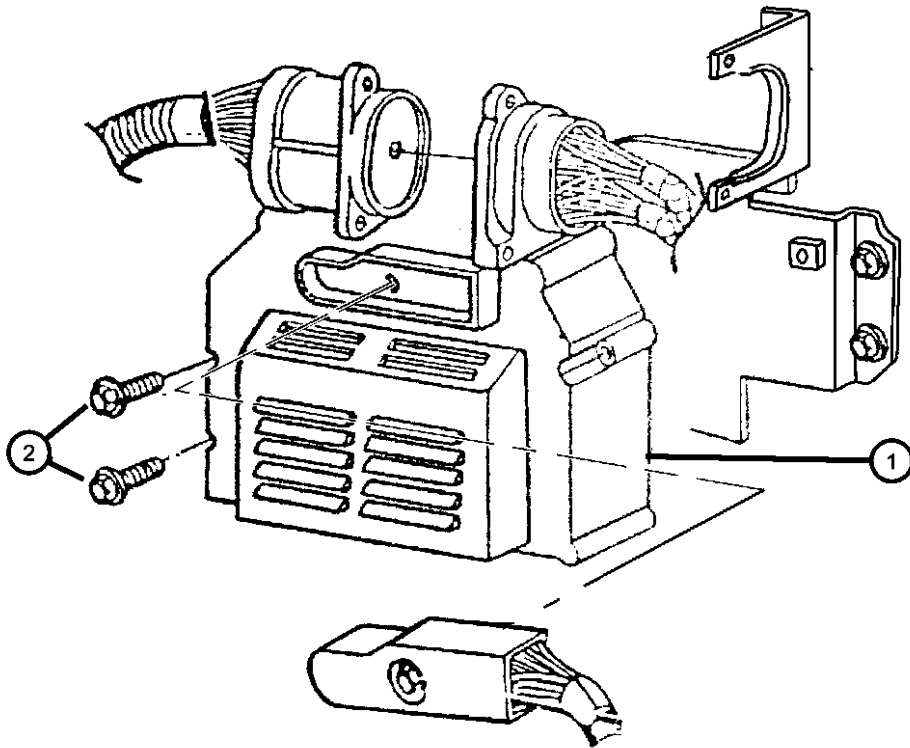
TRANSMISSION

DCB = Transmission - 4-Speed Manual,T3340
DDQ = 5-Speed Manual Transmission
DDX = 5-Speed HD Manual Transmission
DGD = 3-Spd. Automatic 30RH Transmission
DGK = 4-Spd. Automatic 42RE Transmission
DGS = 4-Speed Automatic AW4 Transmission
DGT = 4-Spd. Automatic 46RE Transmission
DGW = TRANSMISSION - 4-SPD. AUTOMATIC,44RE
DGX = 4-Speed Automatic Transmission
DGY = No Description Available
DGZ = Transmission- 4-Spd. Automatic,MT643
DBB = ALL MANUAL TRANSMISSIONS
DGO = TRANSMISSIONS - ALL AUTOMATIC

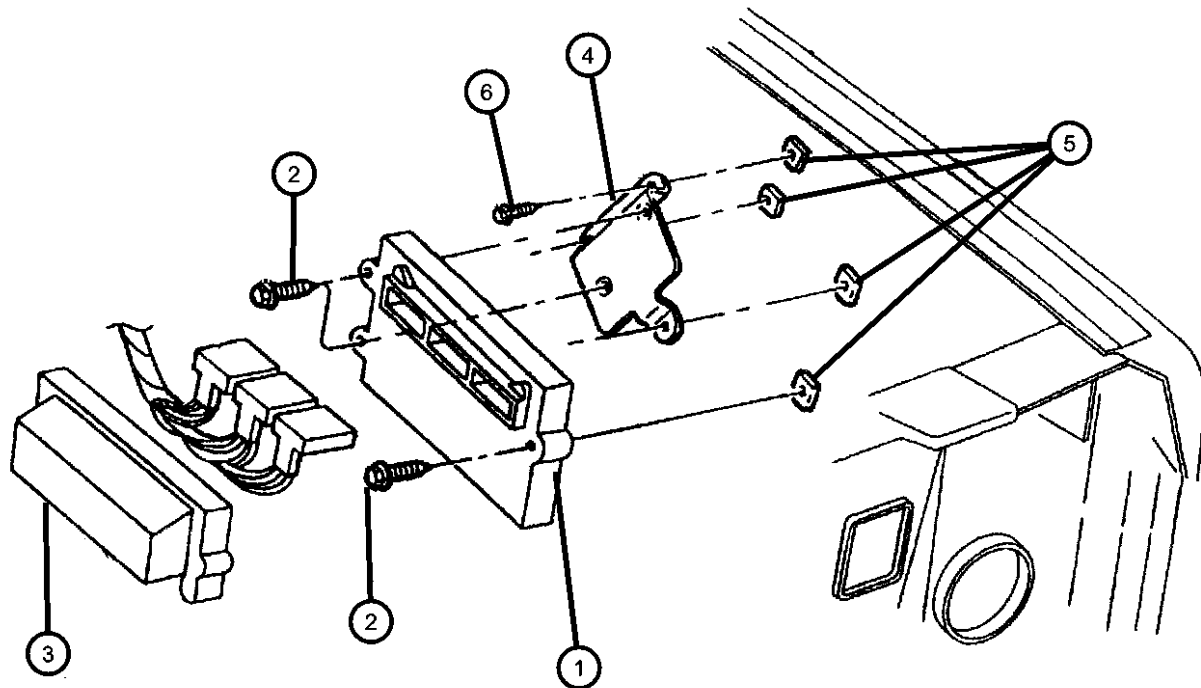
AR = use ase required - = Non illustrated part

1998 XJ

**Single Board Engine Controllers
Figure 8-710**



ITEM	PART NUMBER	QTY	LINE	SERIES	BODY	ENGINE	TRANS	TRIM	DESCRIPTION
	56041544AB	1				ER0	DBB		w/European Emissions
	56041568AB	1				ER0	DG0		W/European Emissions & Japan Equipment Package
	56041996AB	1	B, U			EN0	DBB		Export
	56041997AC	1				EN0	DBB		
2	56041997AC	1							SCREW, (NOT SERVICED)
3	56041997AC	1							COVER, Module, (NOT SERVICED)
4									BRACKET, Module
	56027252	1				EN0			
	56041067	1	J, T			EP0, ER0			
5	J4004959	4							NUT, Snap In, .19
6	00154552	3				EN0			SCREW, Hex Head, .190-16x.625
-7	00154552	3							WIRING REPAIR PACKAGE, Powertrain Control Module, (NOT REQUIRED)



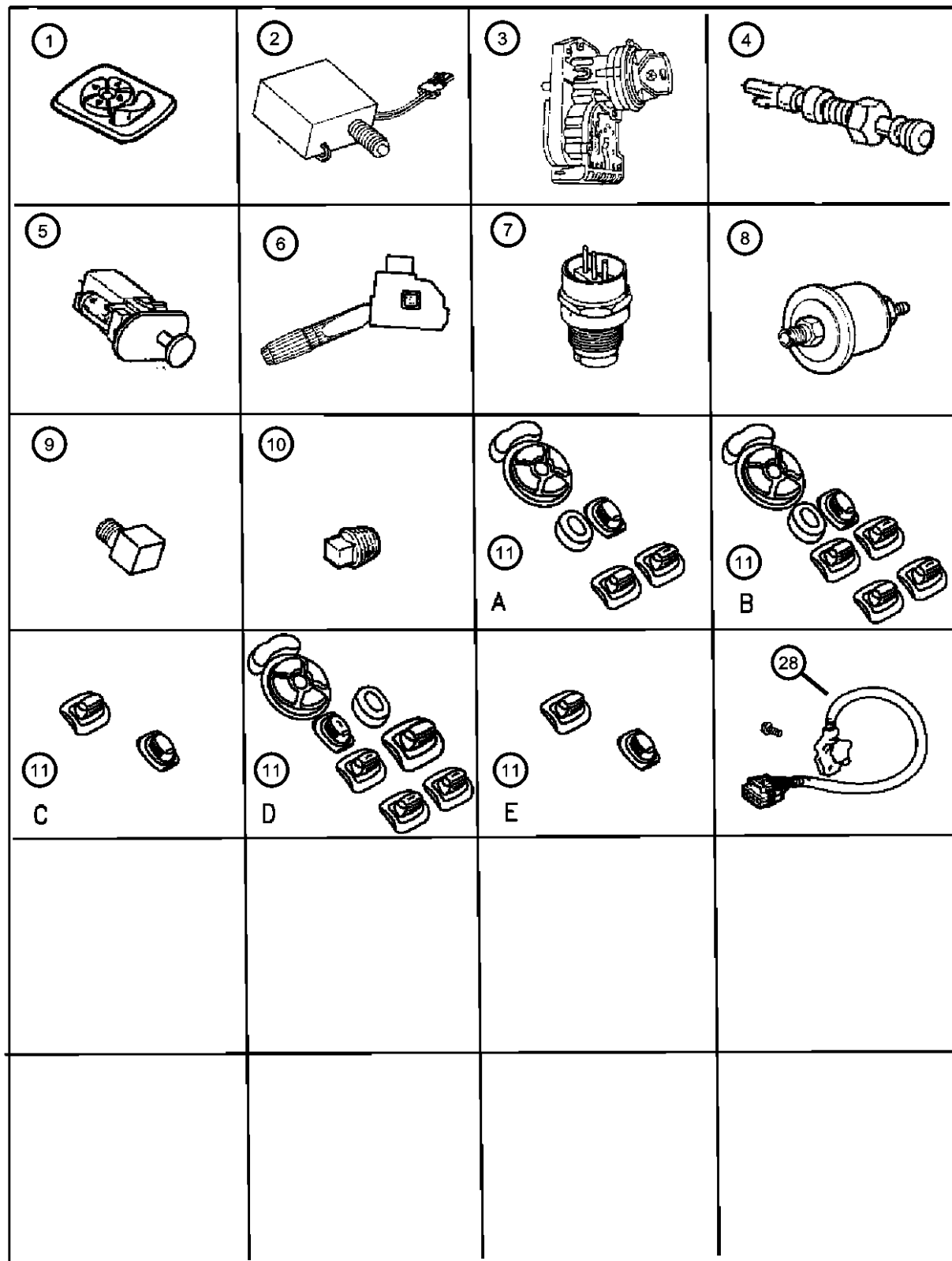
CHEROKEE (XJ)
 SERIES LINE
 L = LOWLINE B = JEEP - 2WD (RHD)
 U = JEEP - 4WD (RHD)
 T = LHD - (2WD)
 J = JEEP - - LHD (4WD)

BODY
 72 = 2DR (101.4 WB)
 74 = 4 DR (101.4 WB)

ENGINE TRANSMISSION
 ENC = 2.5L 4 Cyl Turbo Diesel Engine DCB = Transmission - 4-Speed Manual,T3340
 EPE = Engine - 2.5L Power Tech I-4 Cyl. DDQ = 5-Speed Manual Transmission
 ERH = 4.0L Power Tech I-6 Engine DDX = 5-Speed HD Manual Transmission
 ENO = Engines - ALL 4/5 CYL Turbo Diesel DGD = 3-Spd. Automatic 30RH Transmission
 ERO = Engines - All 4.0L 6 Cyl Gas DGK = 4-Spd. Automatic 42RE Transmission
 EP0 = ENGINES - ALL 2.5L 4 CYL GAS DGS = 4-Speed Automatic AW4 Transmission
 DGT = 4-Spd. Automatic 46RE Transmission
 DGW = TRANSMISSION - 4-SPD. AUTOMATIC,44RE
 DGX = 4-Speed Automatic Transmission
 DGY = No Description Available
 DGZ = Transmission- 4-Spd. Automatic,MT643
 DBB = ALL MANUAL TRANSMISSIONS
 DG0 = TRANSMISSIONS - ALL AUTOMATIC

AR = use ase required - = Non illustrated part

Switches & Sending Units
Figure 8-810



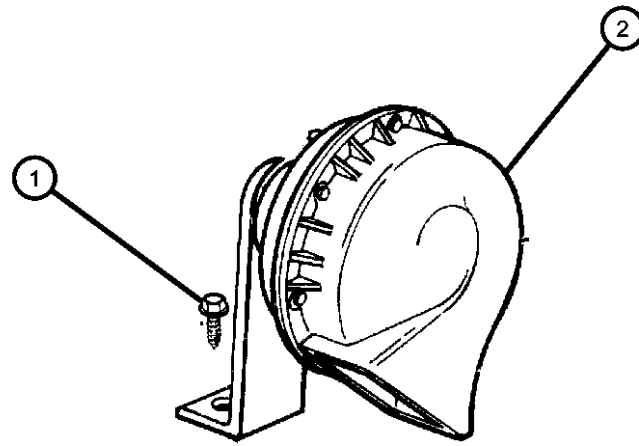
ITEM	PART NUMBER	QTY	LINE	SERIES	BODY	ENGINE	TRANS	TRIM	DESCRIPTION
-22	52127960	1							SWITCH, Parking Brake
-23	56009136	1							SWITCH, Liftgate
-24									SWITCH, Fog Lamp
	56007247	1							Front
	56007248	1	J, U						Rear
-25	05066442AA	1							WIRING REPAIR PACKAGE, Fog Lamp
-26	04565031	2							SWITCH, Overhead Console Lamp
-27	56006315	1							SWITCH, ABS Acceleration
28									SWITCH, Neutral, Safety, Back Up
	04882173	1	J, U			ER0	DGS		
		1	B, T			ER0	DGS		

CHEROKEE (XJ)
 SERIES LINE BODY ENGINE TRANSMISSION
 L = LOWLINE B = JEEP - 2WD (RHD) 72 = 2DR (101.4 WB) ENC = 2.5L 4 Cyl Turbo Diesel DCB = Transmission - 4-Speed Manual,T3340
 U = JEEP - 4WD (RHD) 74 = 4 DR (101.4 WB) EPE = Engine - 2.5L Power Tech I-4 Cyl. DDQ = 5-Speed Manual Transmission
 T = LHD - (2WD) ERH = 4.0L Power Tech I-6 Engine DDX = 5-Speed HD Manual Transmission
 J = JEEP - - LHD (4WD) ENO = Engines - ALL 4/5 CYL Turbo Diesel DGD = 3-Spd. Automatic 30RH Transmission
 ERO = Engines - All 4.0L 6 Cyl Gas DGK = 4-Spd. Automatic 42RE Transmission
 EPO = ENGINES - ALL 2.5L 4 CYL GAS DGS = 4-Speed Automatic AW4 Transmission
 DGT = 4-Spd. Automatic 46RE Transmission
 DGW = TRANSMISSION - 4-SPD. AUTOMATIC,44RE
 DGX = 4-Speed Automatic Transmission
 DGY = No Description Available
 DGZ = Transmission- 4-Spd. Automatic,MT643
 DBB = ALL MANUAL TRANSMISSIONS
 DGO = TRANSMISSIONS - ALL AUTOMATIC

AR = use ase required - = Non illustrated part

Horns
Figure 8-910

ITEM	PART NUMBER	QTY	LINE	SERIES	BODY	ENGINE	TRANS	TRIM	DESCRIPTION
									[EP0]=2.5L Engine [ER0]=4.0L Engine [ENC]=2.5L 4 Cylinder Turbo Diesel Engine [DDQ]=Manual Transmission 5 Speed
1									BOLT, Hex Head
	34202606	2				ER0			
		2	J, T			EP0			
2	56009614	1							HORN, High Note
-3	56009573	1							HORN, Low Note
-4	34202608	2							SCREW AND WASHER, Hex

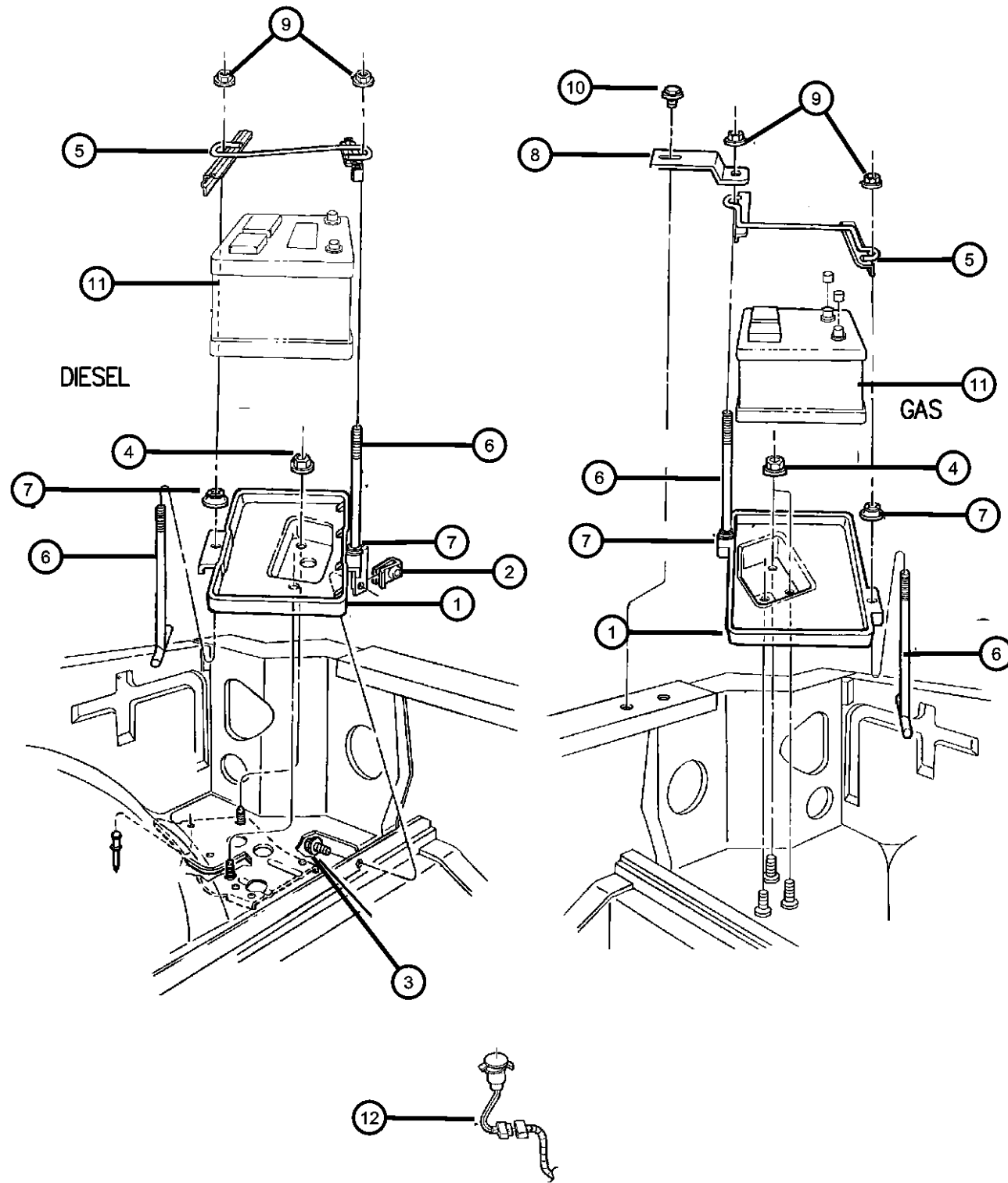


CHEROKEE (XJ)

SERIES	LINE	BODY	ENGINE	TRANSMISSION
L = LOWLINE	B = JEEP - 2WD (RHD) U = JEEP - 4WD (RHD) T = LHD - (2WD) J = JEEP - - LHD (4WD)	72 = 2DR (101.4 WB) 74 = 4 DR (101.4 WB)	ENC = 2.5L 4 Cyl Turbo Diesel Engine EPE = Engine - 2.5L Power Tech I-4 Cyl. ERH = 4.0L Power Tech I-6 Engine ENO = Engines - ALL 4/5 CYL Turbo Diesel ERO = Engines - All 4.0L 6 Cyl Gas EP0 = ENGINES - ALL 2.5L 4 CYL GAS	DCB = Transmission - 4-Speed Manual,T3340 DDQ = 5-Speed Manual Transmission DDX = 5-Speed HD Manual Transmission DGD = 3-Spd. Automatic 30RH Transmission DGK = 4-Spd. Automatic 42RE Transmission DGS = 4-Speed Automatic AW4 Transmission DGT = 4-Spd. Automatic 46RE Transmission DGW = TRANSMISSION - 4-SPD. AUTOMATIC,44RE DGX = 4-Speed Automatic Transmission DGY = No Description Available DGZ = Transmission- 4-Spd. Automatic,MT643 DBB = ALL MANUAL TRANSMISSIONS DGO = TRANSMISSIONS - ALL AUTOMATIC

AR = use ase required - = Non illustrated part

Battery Tray
Figure 8-1005



ITEM	PART NUMBER	QTY	LINE	SERIES	BODY	ENGINE	TRANS	TRIM	DESCRIPTION
------	-------------	-----	------	--------	------	--------	-------	------	-------------

EP0=2.5L Engine
ER0=4.0L Engine
EN0=4 Cylinder Turbo Diesel Engine

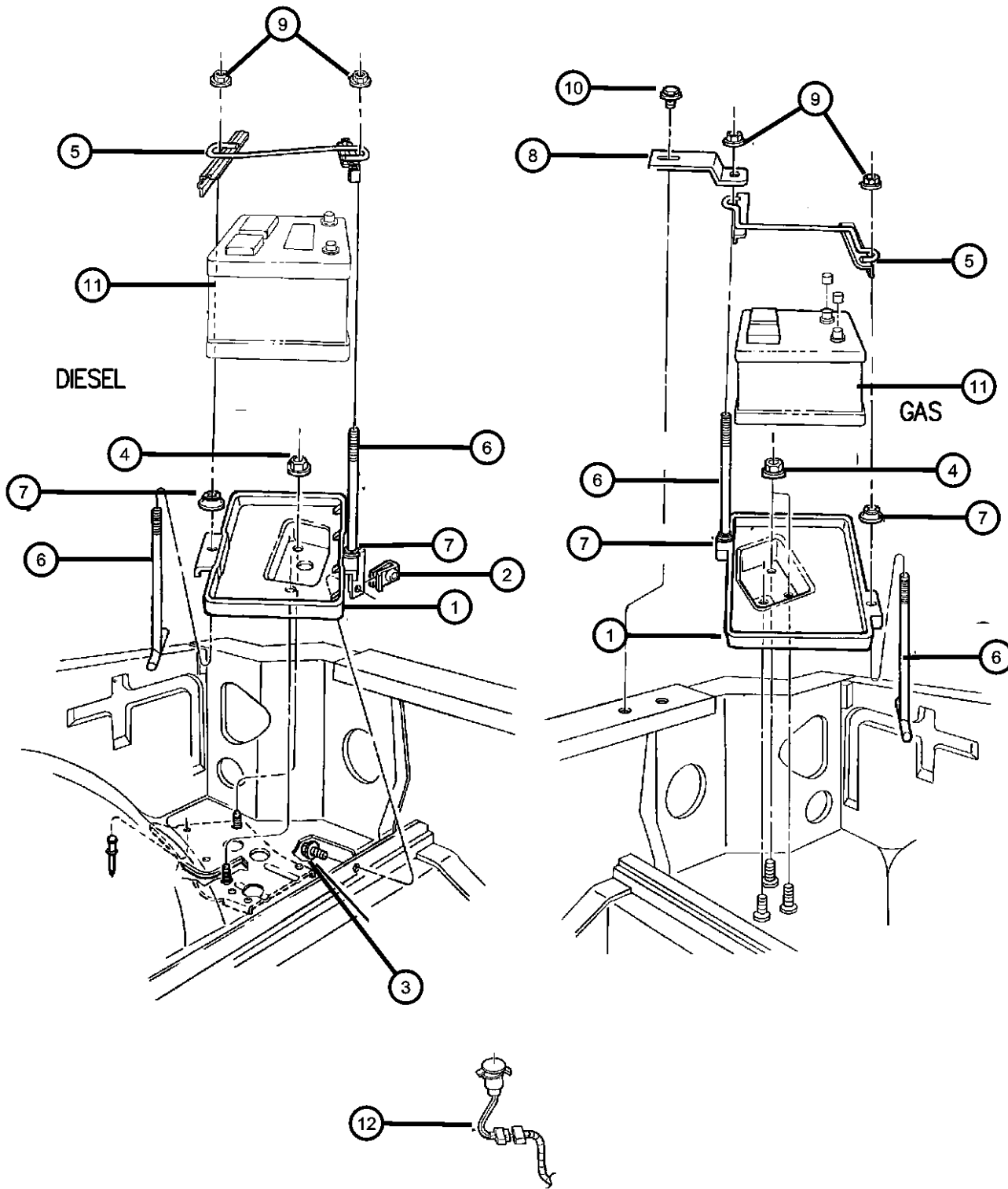
1									TRAY, Battery
	55174970	1				EN0			Diesel Engine
	0VU01205								Repair Battery Terminal End Top Post (Ten Per Box)
	0VU01207								Repair Battery Terminal End Side Post (Ten Per Box)
	55235819AA	1				EP0, ER0			Mopar Power Pro 5
	BA034500EX								Mopar Power Pro 7
	BA078770EX								Mopar Jeep Xtreme
	JEEP034770								Mopar Universal Battery
	BAUNV34650								Mopar Universal Battery
	BAUNV75450								Mopar Power Pro 5
	04671002								Mopar Power Pro 6
	BA034600EX								Mopar Power Pro 7
	05019837AA								Repair Battery Terminal End Side Post (Ten Per Box)
	0VU01207								Repair Battery Terminal End Top Post (Ten Per Box)
	0VU01205								
2	55235819AA	1							NUT, U Type Multi Thread, M8 x 1.25, (NOT SERVICED)
3	11502693	1				EN0			BOLT, Hex Flange Head, M8-1.25x20.0

CHEROKEE (XJ)

SERIES	LINE	BODY	ENGINE	TRANSMISSION
L = LOWLINE	B = JEEP - 2WD (RHD) U = JEEP - 4WD (RHD) T = LHD - (2WD) J = JEEP - - LHD (4WD)	72 = 2DR (101.4 WB) 74 = 4 DR (101.4 WB)	ENC = 2.5L 4 Cyl Turbo Diesel Engine EPE = Engine - 2.5L Power Tech I-4 Cyl. ERH = 4.0L Power Tech I-6 Engine ENO = Engines - ALL 4/5 CYL Turbo Diesel ERO = Engines - All 4.0L 6 Cyl Gas EP0 = ENGINES - ALL 2.5L 4 CYL GAS	DCB = Transmission - 4-Speed Manual,T3340 DDQ = 5-Speed Manual Transmission DDX = 5-Speed HD Manual Transmission DGD = 3-Spd. Automatic 30RH Transmission DGK = 4-Spd. Automatic 42RE Transmission DGS = 4-Speed Automatic AW4 Transmission DGT = 4-Spd. Automatic 46RE Transmission DGW = TRANSMISSION - 4-SPD. AUTOMATIC,44RE DGX = 4-Speed Automatic Transmission DGY = No Description Available DGZ = Transmission- 4-Spd. Automatic,MT643 DBB = ALL MANUAL TRANSMISSIONS DGO = TRANSMISSIONS - ALL AUTOMATIC

AR = use ase required - = Non illustrated part

**Battery Tray
Figure 8-1005**



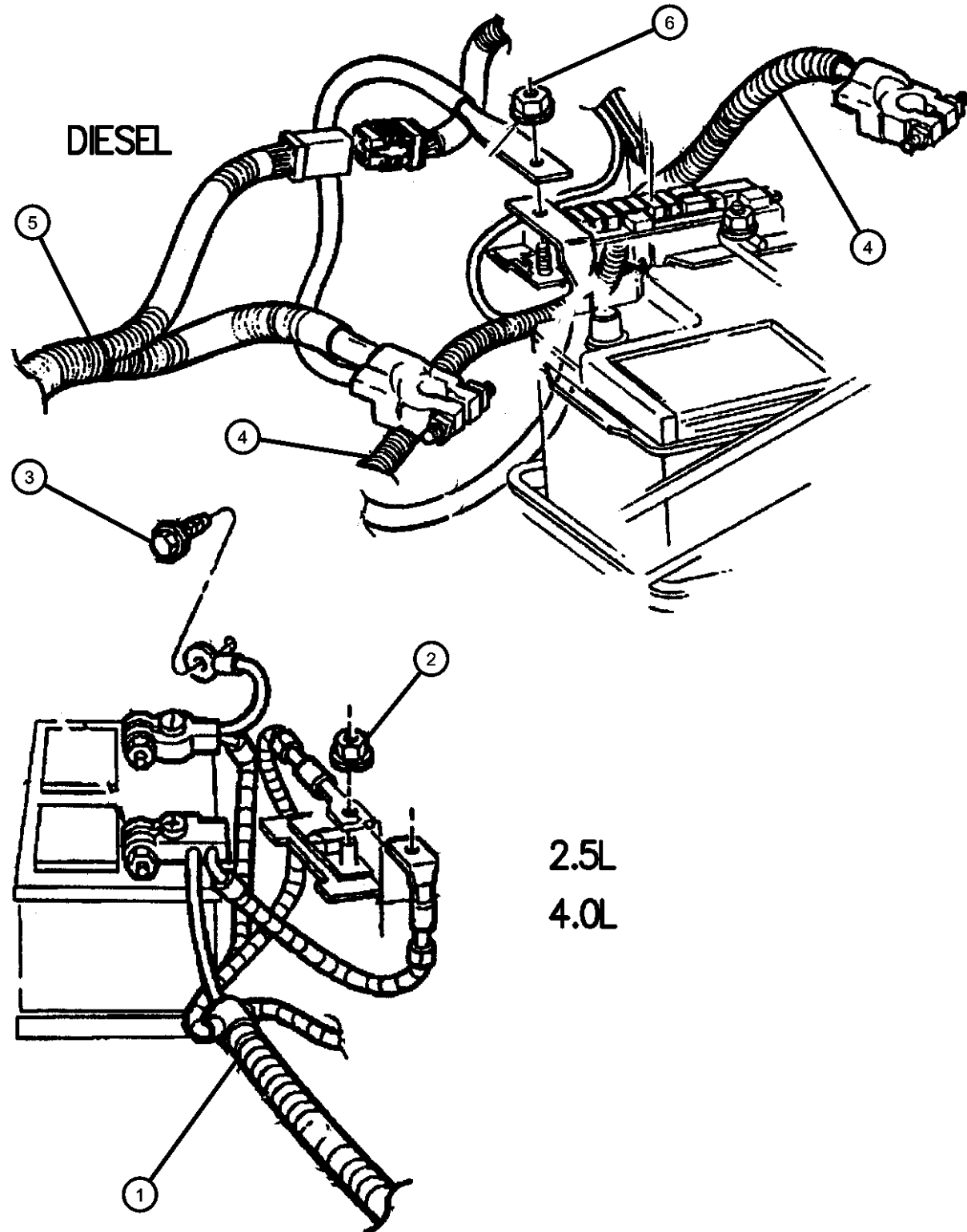
ITEM	PART NUMBER	QTY	LINE	SERIES	BODY	ENGINE	TRANS	TRIM	DESCRIPTION
4	11502693	1							NUT AND CONED WASHER, M8x1.25, (NOT SERVICED)
5						EP0, ERO			BRACKET, Battery Hold Down
	55010722	1				Gasoline Engine			
	55011012	1				ENO			Diesel Engine
6	55014375	2							BOLT, J, M8x1.25x192
7	55014375	2							RETAINER, Battery Hold Down, (NOT SERVICED)
8	55346107	1				EP0, ERO			STRAP, Battery
9	06101809	2							NUT AND WASHER, Hex, M8x1.25
10	06101455	1							SCREW AND WASHER, Hex Head, M6x1x20
11	55176267	1				ENO			COVER, Battery, Diesel Engine
12	56027332	1				EP0, ERO			SENSOR, Battery Temperature

CHEROKEE (XJ)

SERIES	LINE	BODY	ENGINE	TRANSMISSION
L = LOWLINE	B = JEEP - 2WD (RHD) U = JEEP - 4WD (RHD) T = LHD - (2WD) J = JEEP - - LHD (4WD)	72 = 2DR (101.4 WB) 74 = 4 DR (101.4 WB)	ENC = 2.5L 4 Cyl Turbo Diesel Engine EPE = Engine - 2.5L Power Tech I-4 Cyl. ERH = 4.0L Power Tech I-6 Engine ENO = Engines - ALL 4/5 CYL Turbo Diesel ERO = Engines - All 4.0L 6 Cyl Gas EP0 = ENGINES - ALL 2.5L 4 CYL GAS	DCB = Transmission - 4-Speed Manual, T3340 DDQ = 5-Speed Manual Transmission DDX = 5-Speed HD Manual Transmission DGD = 3-Spd. Automatic 30RH Transmission DGK = 4-Spd. Automatic 42RE Transmission DGS = 4-Speed Automatic AW4 Transmission DGT = 4-Spd. Automatic 46RE Transmission DGW = TRANSMISSION - 4-SPD. AUTOMATIC, 44RE DGX = 4-Speed Automatic Transmission DGY = No Description Available DGZ = Transmission- 4-Spd. Automatic, MT643 DBB = ALL MANUAL TRANSMISSIONS DG0 = TRANSMISSIONS - ALL AUTOMATIC

AR = use ase required - = Non illustrated part

Battery Cables
Figure 8-1010



ITEM	PART NUMBER	QTY	LINE	SERIES	BODY	ENGINE	TRANS	TRIM	DESCRIPTION
------	-------------	-----	------	--------	------	--------	-------	------	-------------

EP0=2.5L Engine
ER0=4.0L Engine
ERH=4.0L Power Tech Engine
EN0=4 Cylinder Turbo Diesel Engine
ENC=2.5L 4 Cylinder Turbo Diesel Engine

1									WIRING, Battery
	56009782	1	J, T			EP0			2.5L Engine, Left Hand Drive
	56009783	1				ER0			4.0L Engine,
	56009784	1	B, U			EP0			2.5L Engine, Right Hand Drive
2	06035723	1				ER0			NUT AND WASHER, Hex Nut-E Teeth Washer, .312-18
3	00154554	1				ENC			SCREW, Self Piercing, .25-14x.625
4	56009787	1				EN0			WIRING, Battery Negative, Diesel
5	56009785AC	1				EN0			WIRING, Battery Positive, Diesel
6									NUT, Hex Flange Lock, M6x1
	06502691	3	J, T			EP0, ER0			2.5L/4.0L Engine, Left Hand Drive
		1	B, U			EP0			2.5L Engine, Right Hand Drive
		3	B, U			ER0			4.0L Engine, Right Hand Drive
		1	J, T			EN0			Diesel, Left Hand Drive

CHEROKEE (XJ)

SERIES LINE
L = LOWLINE B = JEEP - 2WD (RHD)
U = JEEP - 4WD (RHD)
T = LHD - (2WD)
J = JEEP - - LHD (4WD)

BODY
72 = 2DR (101.4 WB)
74 = 4 DR (101.4 WB)

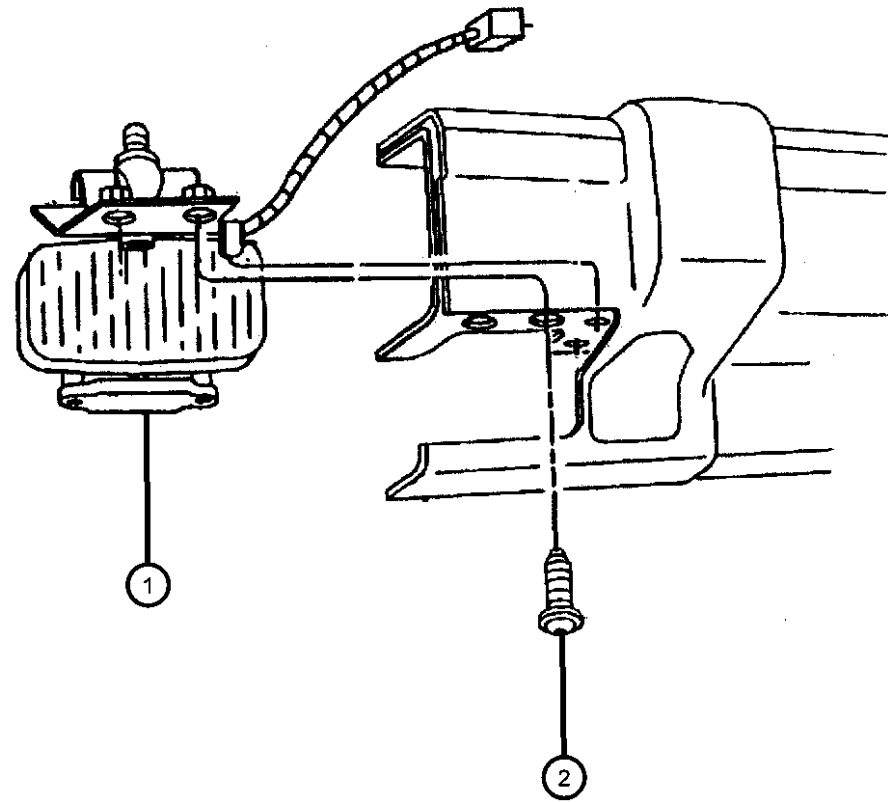
ENGINE TRANSMISSION
ENC = 2.5L 4 Cyl Turbo Diesel Engine DCB = Transmission - 4-Speed Manual,T3340
EPE = Engine - 2.5L Power Tech I-4 Cyl. DDQ = 5-Speed Manual Transmission
ERH = 4.0L Power Tech I-6 Transmission DDX = 5-Speed HD Manual
Engine DGD = 3-Spd. Automatic 30RH
EN0 = Engines - ALL 4/5 CYL Transmission
Turbo Diesel DGK = 4-Spd. Automatic 42RE
ER0 = Engines - All 4.0L 6 Cyl Transmission
Gas DGS = 4-Speed Automatic AW4
EP0 = ENGINES - ALL 2.5L 4 Transmission
CYL GAS DGT = 4-Spd. Automatic 46RE
Transmission
DGW = TRANSMISSION - 4-SPD.
AUTOMATIC,44RE
DGX = 4-Speed Automatic
Transmission
DGY = No Description Available
DGZ = Transmission- 4-Spd.
Automatic,MT643
DBB = ALL MANUAL
TRANSMISSIONS
DGO = TRANSMISSIONS - ALL
AUTOMATIC

AR = use ase required - = Non illustrated part

1998 XJ

Lamps Fog
Figure 8-1135

ITEM	PART NUMBER	QTY	LINE	SERIES	BODY	ENGINE	TRANS	TRIM	DESCRIPTION
1									LAMP AND BRACKET, Off Road Lamp
	55055274	1							Right
	55055275	1							Left
2	06503448	4							SCREW, Round Head, M8x1.25x30
-3	04728646	1							BULB PACKAGE, 55 Watt, Foglamp Bulb



CHEROKEE (XJ)

SERIES	LINE
L = LOWLINE	B = JEEP - 2WD (RHD)
	U = JEEP - 4WD (RHD)
	T = LHD - (2WD)
	J = JEEP - - LHD (4WD)

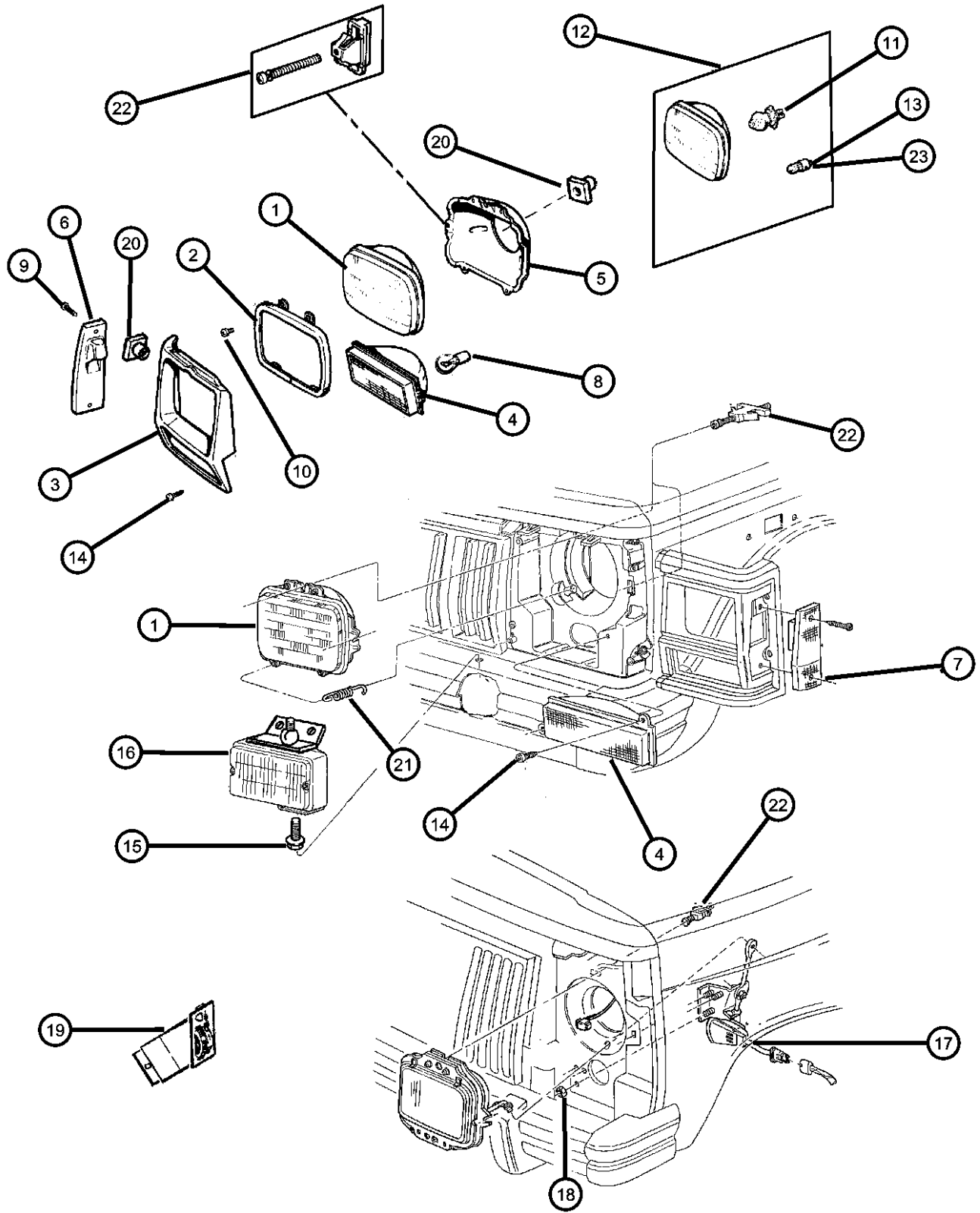
BODY
72 = 2DR (101.4 WB)
74 = 4 DR (101.4 WB)

ENGINE	TRANSMISSION
ENC = 2.5L 4 Cyl Turbo Diesel Engine	DCB = Transmission - 4-Speed Manual,T3340
EPE = Engine - 2.5L Power Tech I-4 Cyl.	DDQ = 5-Speed Manual Transmission
ERH = 4.0L Power Tech I-6 Engine	DDX = 5-Speed HD Manual Transmission
ENO = Engines - ALL 4/5 CYL Turbo Diesel	DGD = 3-Spd. Automatic 30RH Transmission
ERO = Engines - All 4.0L 6 Cyl Gas	DGK = 4-Spd. Automatic 42RE Transmission
EPO = ENGINES - ALL 2.5L 4 CYL GAS	DGS = 4-Speed Automatic AW4 Transmission
	DGT = 4-Spd. Automatic 46RE Transmission
	DGW = TRANSMISSION - 4-SPD. AUTOMATIC,44RE
	DGX = 4-Speed Automatic Transmission
	DGY = No Description Available
	DGZ = Transmission- 4-Spd. Automatic,MT643
	DBB = ALL MANUAL TRANSMISSIONS
	DG0 = TRANSMISSIONS - ALL AUTOMATIC

AR = use ase required - = Non illustrated part

1998 XJ

Lamps Front
Figure 8-1140

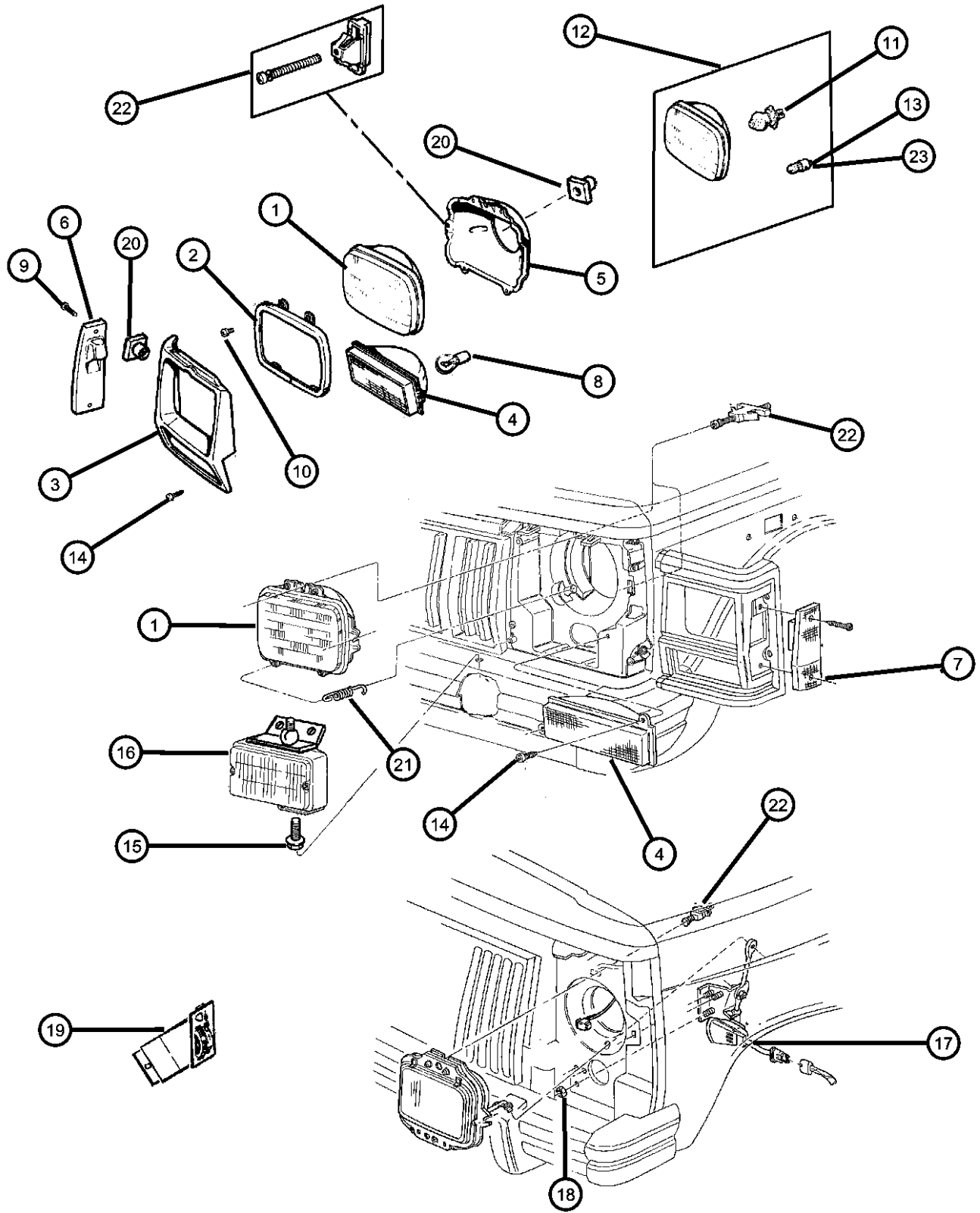


ITEM	PART NUMBER	QTY	LINE	SERIES	BODY	ENGINE	TRANS	TRIM	DESCRIPTION
1	55054827	1	B, U						BULB, Headlamp w/o H/Lamp Leveling
	56000887	1	B, U						EUROPE w/H/Lamp Leveling
	56000887	1	J, T						EUROPE w/o H/Lamp Leveling
	L00H6054	1	J, T						EUROPE w/H/Lamp Leveling
	L00H6054	1							USA/CANADA w/o H/Lamp Leveling
2									RETAINER, Headlamp Bulb
	04897198AA	1	B, U						RHD/EUROPE w/o Leveling Device
		1							USA/CANADA w/Leveling Device
		1	J, T						LHD/EUROPE w/o Leveling Device
	04897199AB	1	B, U						RHD/EUROPE w/Leveling Device
		1	J, T						LHD/EUROPE w/Leveling Device
3									BEZEL, Headlamp
	55055136	1							Black/Black, Right
	55055137	1							Black/Black, Left
	5EM72SW1	1							Right (Paint As Required), Right
	5EM73SW1	1							Left (Paint As Required), Left
4									LAMP, Park and Turn Signal
	55055142	1							Right
	55055143	1							Left

CHEROKEE (XJ)
 SERIES LINE BODY ENGINE TRANSMISSION
 L = LOWLINE B = JEEP - 2WD (RHD) 72 = 2DR (101.4 WB) ENC = 2.5L 4 Cyl Turbo Diesel DCB = Transmission - 4-Speed Manual,T3340
 U = JEEP - 4WD (RHD) 74 = 4 DR (101.4 WB) EPE = Engine - 2.5L Power Tech I-4 Cyl. DDQ = 5-Speed Manual Transmission
 T = LHD - (2WD) ERH = 4.0L Power Tech I-6 Engine DDX = 5-Speed HD Manual Transmission
 J = JEEP - - LHD (4WD) Engine DGD = 3-Spd. Automatic 30RH Transmission
 ENO = Engines - ALL 4/5 CYL Turbo Diesel DGK = 4-Spd. Automatic 42RE Transmission
 ERO = Engines - All 4.0L 6 Cyl Gas DGS = 4-Speed Automatic AW4 Transmission
 EPO = ENGINES - ALL 2.5L 4 CYL GAS DGT = 4-Spd. Automatic 46RE Transmission
 DGW = TRANSMISSION - 4-SPD. AUTOMATIC,44RE
 DGX = 4-Speed Automatic Transmission
 DGY = No Description Available
 DGZ = Transmission- 4-Spd. Automatic,MT643
 DBB = ALL MANUAL TRANSMISSIONS
 DGO = TRANSMISSIONS - ALL AUTOMATIC

AR = use ase required - = Non illustrated part

Lamps Front
Figure 8-1140



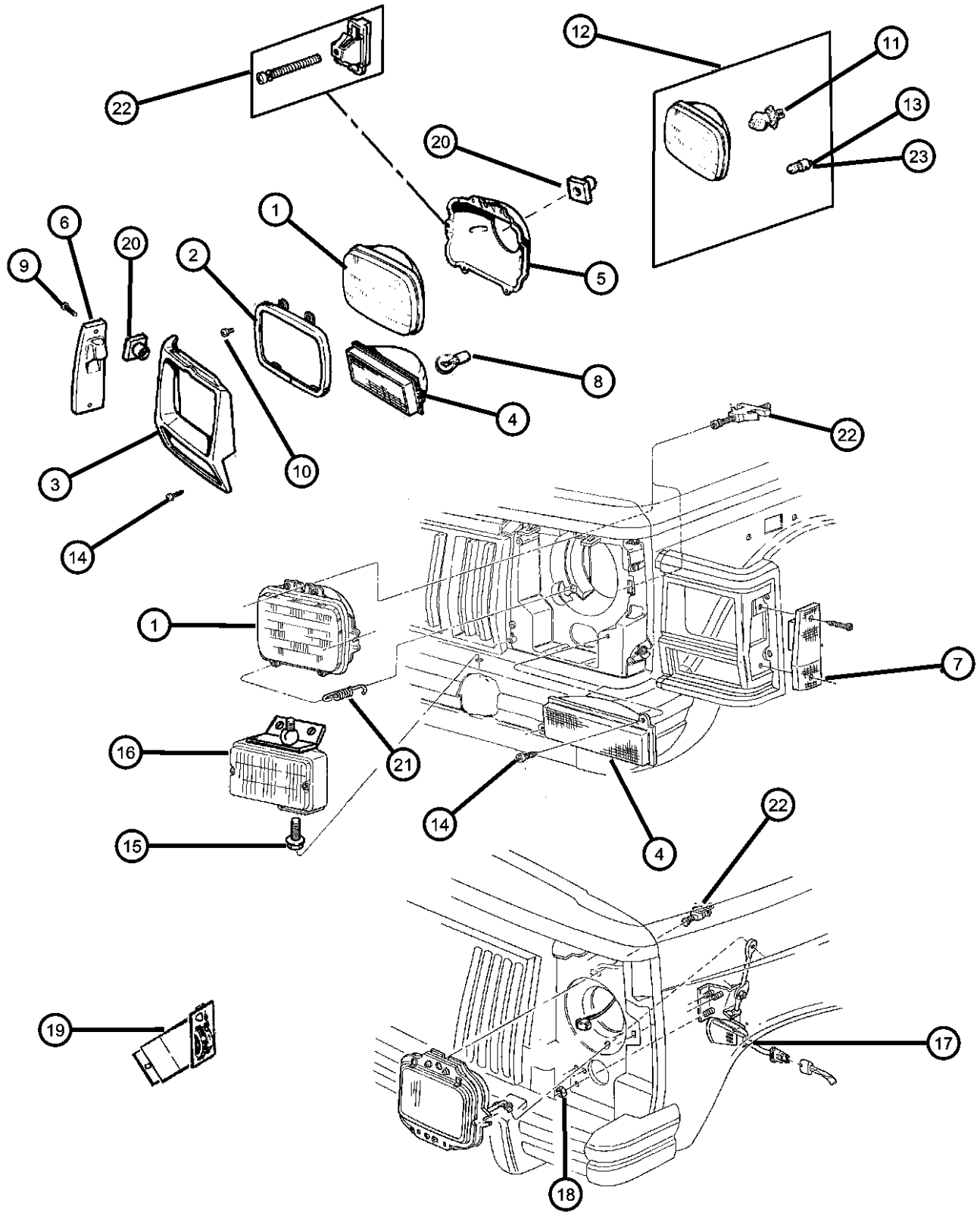
ITEM	PART NUMBER	QTY	LINE	SERIES	BODY	ENGINE	TRANS	TRIM	DESCRIPTION
5	04897196AB	1							SEAT, Headlamp Halogen Headlamp (Right)
	04897197AB	1							Halogen Headlamp (Left)
6	55055146	1							LAMP, Side Marker Right
	55055147	1							Left
7	55055148	1							COVER, Side Marker Lamp Right
	55055149	1							Left
8	00154851AA	4							BULB, 3157
9	06035322	2							SCREW
10	34201821	AR							SCREW, Pan Head, .164-18x.512
11	J3242537	1	B, U						BULB, H4 Clear
		1	J, T						
12	55055296AD	1	B, U						HEADLAMP RHD/EUROPE w/o Leveling Device, Right
	55055297AD	1	B, U						RHD/EUROPE w/o Leveling Device, Left
	55055298AC	1	J, T						LHD/EUROPE w/Leveling Device, Right
	55055299AC	1	J, T						LHD/EUROPE w/Leveling Device, Left

CHEROKEE (XJ)

SERIES	LINE	BODY	ENGINE	TRANSMISSION
L = LOWLINE	B = JEEP - 2WD (RHD) U = JEEP - 4WD (RHD) T = LHD - (2WD) J = JEEP - - LHD (4WD)	72 = 2DR (101.4 WB) 74 = 4 DR (101.4 WB)	ENC = 2.5L 4 Cyl Turbo Diesel Engine EPE = Engine - 2.5L Power Tech I-4 Cyl. ERH = 4.0L Power Tech I-6 Engine ENO = Engines - ALL 4/5 CYL Turbo Diesel ERO = Engines - All 4.0L 6 Cyl Gas EPO = ENGINES - ALL 2.5L 4 CYL GAS	DCB = Transmission - 4-Speed Manual,T3340 DDQ = 5-Speed Manual Transmission DDX = 5-Speed HD Manual Transmission DGD = 3-Spd. Automatic 30RH Transmission DGK = 4-Spd. Automatic 42RE Transmission DGS = 4-Speed Automatic AW4 Transmission DGT = 4-Spd. Automatic 46RE Transmission DGW = TRANSMISSION - 4-SPD. AUTOMATIC,44RE DGX = 4-Speed Automatic Transmission DGY = No Description Available DGZ = Transmission- 4-Spd. Automatic,MT643 DBB = ALL MANUAL TRANSMISSIONS DGO = TRANSMISSIONS - ALL AUTOMATIC

AR = use ase required - = Non illustrated part

Lamps Front
Figure 8-1140



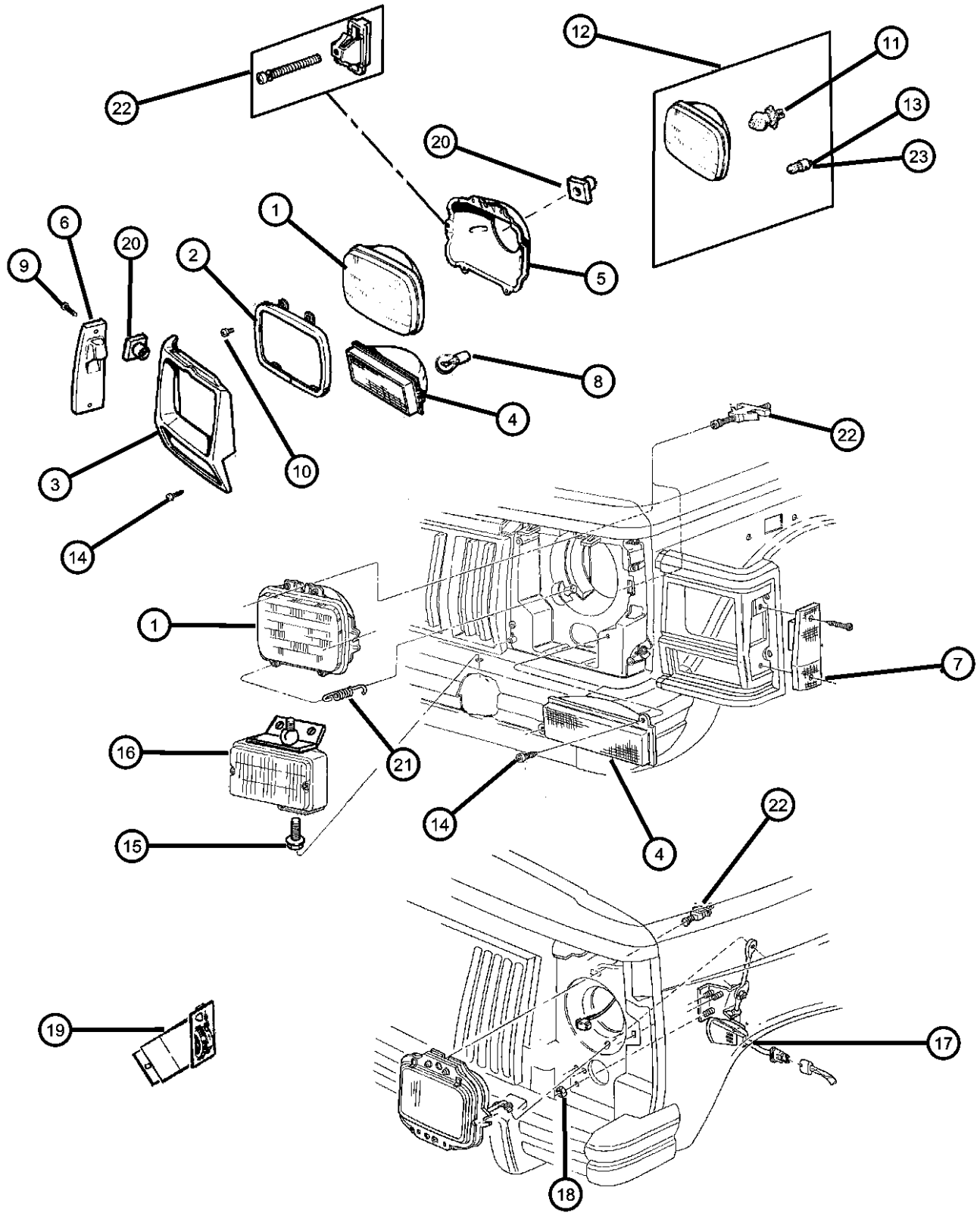
ITEM	PART NUMBER	QTY	LINE	SERIES	BODY	ENGINE	TRANS	TRIM	DESCRIPTION
	55055300AD	1							USA/CANADA w/o Leveling Device, Right
	55055301AD	1							USA/CANADA w/o Leveling Device, Left
	55055302AD	1	J, T						LHD/EUROPE w/o Leveling Device, Right
	55055303AD	1	J, T						LHD/EUROPE w/o Leveling Device, Left
	55155330AC	1	B, U						RHD/EUROPE w/Leveling Device, Right
	55155331AC	1	B, U						RHD/EUROPE w/Leveling Device, Left
13	J3242539	1	J, T						BULB, T8/4, Park Lamp EUROPE (LHD)
14	06034204	4							SCREW, Pan Head, #6 HiLo
15	06503154	4							SCREW AND WASHER, Round Head, M8x1.25x20
16									LAMP AND BRACKET, Off Road Lamp
	55055274	1							Right
	55055275	1							Left
17									ACTUATOR, Headlamp
	55055240	1							Right
	55055241	1							Left
18	06100044	2							NUT AND WASHER, Hex, M5x0.80
19	56007675AB	1							SWITCH, Headlamp Leveling
20	56007675AB	1							NUT, .164, (NOT SERVICED)

CHEROKEE (XJ)

SERIES	LINE	BODY	ENGINE	TRANSMISSION
L = LOWLINE	B = JEEP - 2WD (RHD) U = JEEP - 4WD (RHD) T = LHD - (2WD) J = JEEP - - LHD (4WD)	72 = 2DR (101.4 WB) 74 = 4 DR (101.4 WB)	ENC = 2.5L 4 Cyl Turbo Diesel Engine EPE = Engine - 2.5L Power Tech I-4 Cyl. ERH = 4.0L Power Tech I-6 Engine ENO = Engines - ALL 4/5 CYL Turbo Diesel ERO = Engines - All 4.0L 6 Cyl Gas EPO = ENGINES - ALL 2.5L 4 CYL GAS	DCB = Transmission - 4-Speed Manual,T3340 DDQ = 5-Speed Manual Transmission DDX = 5-Speed HD Manual Transmission DGD = 3-Spd. Automatic 30RH Transmission DGN = 4-Spd. Automatic 42RE Transmission DGS = 4-Speed Automatic AW4 Transmission DGT = 4-Spd. Automatic 46RE Transmission DGW = TRANSMISSION - 4-SPD. AUTOMATIC,44RE DGX = 4-Speed Automatic Transmission DGY = No Description Available DGZ = Transmission- 4-Spd. Automatic,MT643 DBB = ALL MANUAL TRANSMISSIONS DGO = TRANSMISSIONS - ALL AUTOMATIC

AR = use ase required - = Non illustrated part

Lamps Front
Figure 8-1140

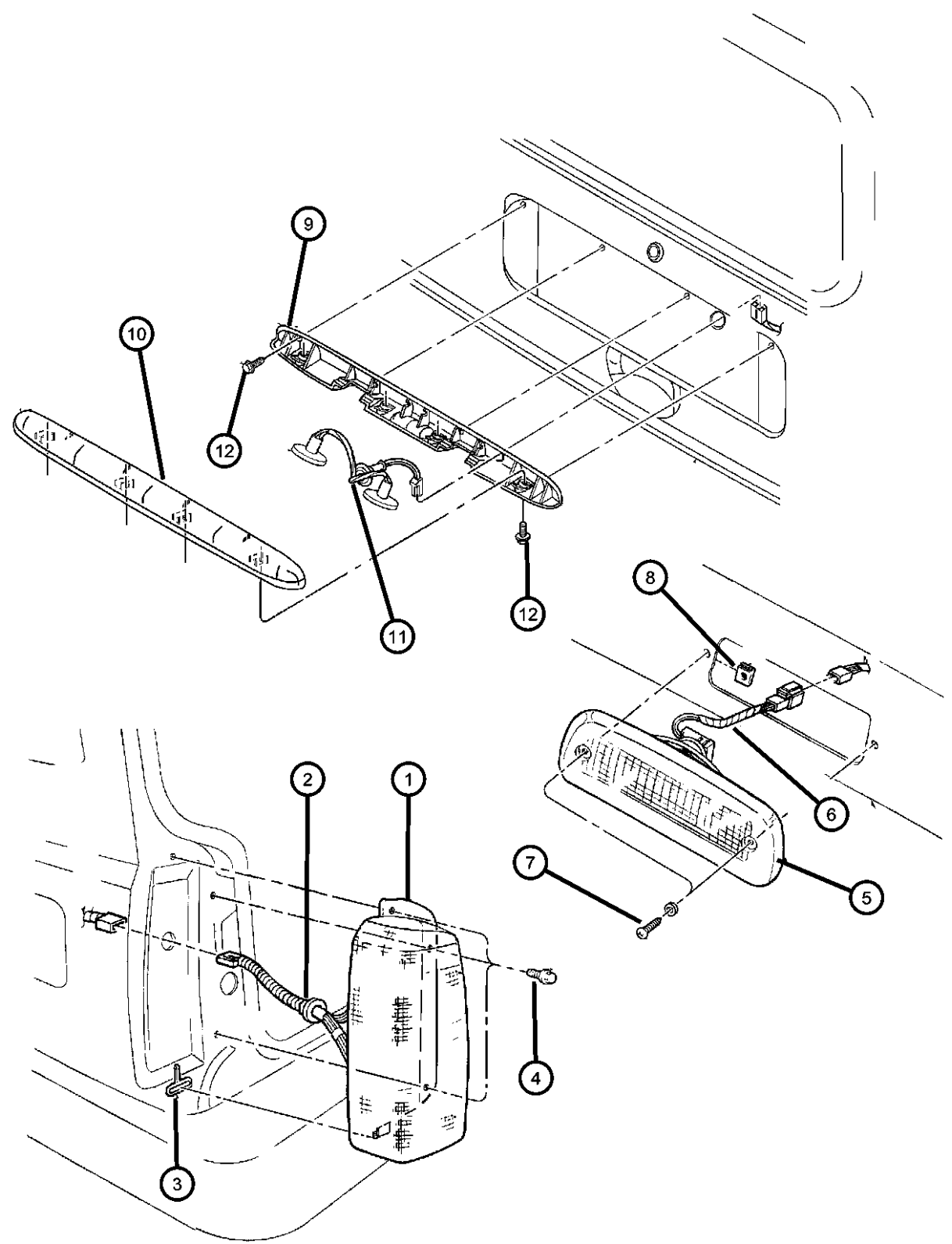


ITEM	PART NUMBER	QTY	LINE	SERIES	BODY	ENGINE	TRANS	TRIM	DESCRIPTION
21	36002216	2							SPRING, Headlamp Adjusting
22	55054621	4							SCREW AND NUT, Headlamp Adjustment
23	04882328	1	B, U						BULB, 4 Watt - Bayonette Type, Park Lamp (EUROPE/CHINA) RHD

CHEROKEE (XJ)				
SERIES	LINE	BODY	ENGINE	TRANSMISSION
L = LOWLINE	B = JEEP - 2WD (RHD) U = JEEP - 4WD (RHD) T = LHD - (2WD) J = JEEP - - LHD (4WD)	72 = 2DR (101.4 WB) 74 = 4 DR (101.4 WB)	ENC = 2.5L 4 Cyl Turbo Diesel Engine EPE = Engine - 2.5L Power Tech I-4 Cyl. ERH = 4.0L Power Tech I-6 Engine ENO = Engines - ALL 4/5 CYL Turbo Diesel ERO = Engines - All 4.0L 6 Cyl Gas EPO = ENGINES - ALL 2.5L 4 CYL GAS	DCB = Transmission - 4-Speed Manual,T3340 DDQ = 5-Speed Manual Transmission DDX = 5-Speed HD Manual Transmission DGD = 3-Spd. Automatic 30RH Transmission DGK = 4-Spd. Automatic 42RE Transmission DGS = 4-Speed Automatic AW4 Transmission DGT = 4-Spd. Automatic 46RE Transmission DGW = TRANSMISSION - 4-SPD. AUTOMATIC,44RE DGX = 4-Speed Automatic Transmission DGY = No Description Available DGZ = Transmission- 4-Spd. Automatic,MT643 DBB = ALL MANUAL TRANSMISSIONS DGO = TRANSMISSIONS - ALL AUTOMATIC

AR = use ase required - = Non illustrated part

Lamps Rear
Figure 8-1155



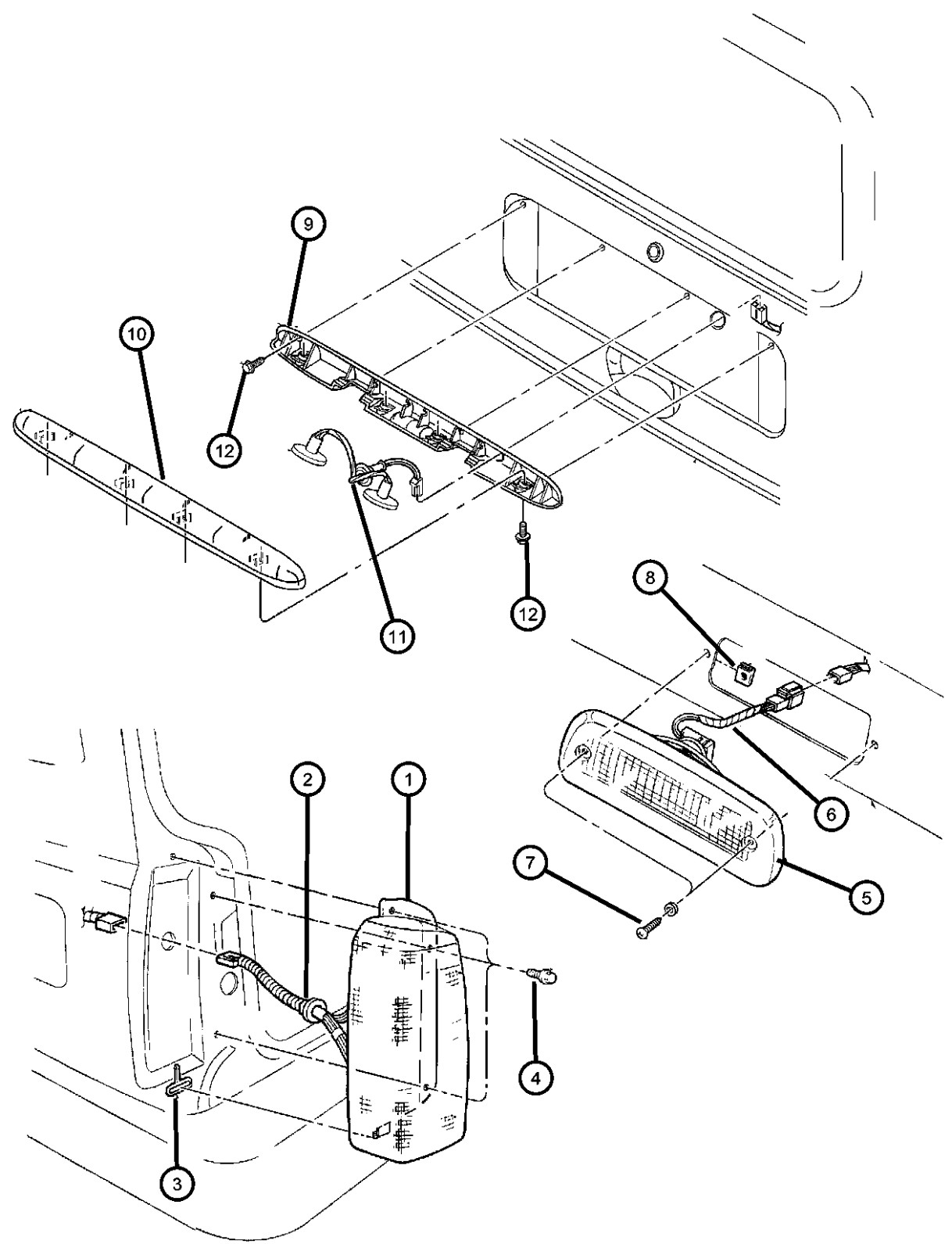
ITEM	PART NUMBER	QTY	LINE	SERIES	BODY	ENGINE	TRANS	TRIM	DESCRIPTION
1	04897398AA	1							LAMP, Tail Stop Turn USA/CANADA, Right
	04897399AA	1							USA/CANADA, Left
	04897400AA	1							w/Export Equipment Package, Right
	04897401AA	1							w/Export Equipment Package & Outside Mounted Tire Carrier, Left
2	56009642	1							WIRING, Taillamp w/Export Equipment Package & Outside Mounted Tire Carrier
	56009770	1							w/Export Equipment Package USA/CANADA
3	04676350	2							GROMMET, Lamp
4	06504016	6							SCREW AND WASHER, M6x20
5	55155614AB	1							LAMP, High Mounted Stop w/High Center Stop Lamp
	55155666AB	1							w/CHMSL Lamp (EUROPE)
6	56008722	1							WIRING, High Mounted Stop Lamp USA/CANADA
		1							EUROPE
7		1							SCREW, .164-18x1.00, (NOT SERVICED),
8	00445346	2							NUT, J
9	55155612AB	1							LAMP, License Plate USA/CANADA

CHEROKEE (XJ)

SERIES	LINE	BODY	ENGINE	TRANSMISSION
L = LOWLINE	B = JEEP - 2WD (RHD) U = JEEP - 4WD (RHD) T = LHD - (2WD) J = JEEP - - LHD (4WD)	72 = 2DR (101.4 WB) 74 = 4 DR (101.4 WB)	ENC = 2.5L 4 Cyl Turbo Diesel EPE = Engine - 2.5L Power Tech I-4 Cyl. ERH = 4.0L Power Tech I-6 Engine ENO = Engines - ALL 4/5 CYL Turbo Diesel ERO = Engines - All 4.0L 6 Cyl Gas EPO = ENGINES - ALL 2.5L 4 CYL GAS	DCB = Transmission - 4-Speed Manual,T3340 DDQ = 5-Speed Manual Transmission DDX = 5-Speed HD Manual Transmission DGD = 3-Spd. Automatic 30RH Transmission DGK = 4-Spd. Automatic 42RE Transmission DGS = 4-Speed Automatic AW4 Transmission DGT = 4-Spd. Automatic 46RE Transmission DGW = TRANSMISSION - 4-SPD. AUTOMATIC,44RE DGX = 4-Speed Automatic Transmission DGY = No Description Available DGZ = Transmission- 4-Spd. Automatic,MT643 DBB = ALL MANUAL TRANSMISSIONS DGO = TRANSMISSIONS - ALL AUTOMATIC

AR = use ase required - = Non illustrated part

Lamps Rear
Figure 8-1155



ITEM	PART NUMBER	QTY	LINE	SERIES	BODY	ENGINE	TRANS	TRIM	DESCRIPTION
	55155613AB	1							w/Export Equipment Package & w/o Outside Mounted Tire Carrier COVER, Lamp, P.A.R.
10	5FL86DX9	1							WIRING, License Lamp
11									USA/CANADA
	56009643	1							w/Export Equipment Package & w/o Outside Mounted Tire Carrier
	56009650	1							SCREW, Tapping, .19-16x.625
12	06033718	4							BULB, 168
-13	L0000168	AR							BULB, W10/5
-14	00153625	2							BULB, 3157
-15	00154851AA	4							

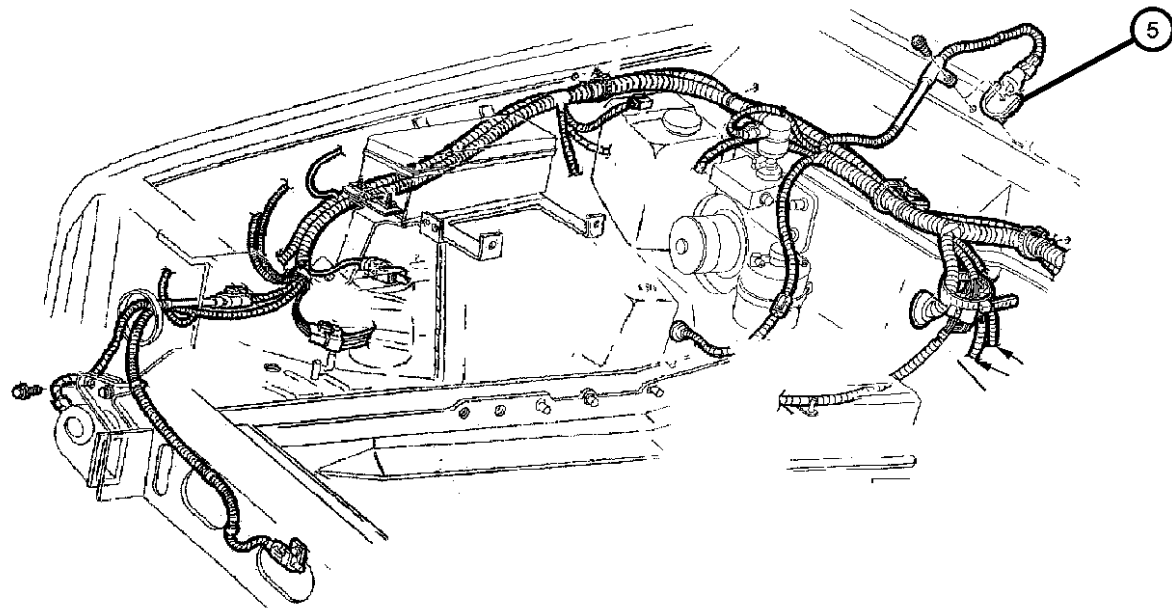
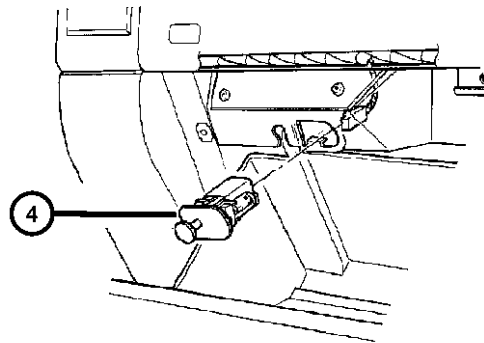
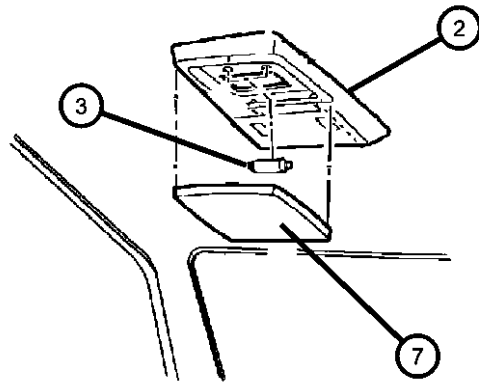
CHEROKEE (XJ)

SERIES	LINE	BODY	ENGINE	TRANSMISSION
L = LOWLINE	B = JEEP - 2WD (RHD) U = JEEP - 4WD (RHD) T = LHD - (2WD) J = JEEP - - LHD (4WD)	72 = 2DR (101.4 WB) 74 = 4 DR (101.4 WB)	ENC = 2.5L 4 Cyl Turbo Diesel Engine EPE = Engine - 2.5L Power Tech I-4 Cyl. ERH = 4.0L Power Tech I-6 Engine ENO = Engines - ALL 4/5 CYL Turbo Diesel ERO = Engines - All 4.0L 6 Cyl Gas EPO = ENGINES - ALL 2.5L 4 CYL GAS	DCB = Transmission - 4-Speed Manual,T3340 DDQ = 5-Speed Manual Transmission DDX = 5-Speed HD Manual Transmission DGD = 3-Spd. Automatic 30RH Transmission DGK = 4-Spd. Automatic 42RE Transmission DGS = 4-Speed Automatic AW4 Transmission DGT = 4-Spd. Automatic 46RE Transmission DGW = TRANSMISSION - 4-SPD. AUTOMATIC,44RE DGX = 4-Speed Automatic Transmission DGY = No Description Available DGZ = Transmission- 4-Spd. Automatic,MT643 DBB = ALL MANUAL TRANSMISSIONS DGO = TRANSMISSIONS - ALL AUTOMATIC

AR = use ase required - = Non illustrated part

Lamps Cargo - Dome - Underhood
Figure 8-1165

ITEM	PART NUMBER	QTY	LINE	SERIES	BODY	ENGINE	TRANS	TRIM	DESCRIPTION
-1	5AS36RC3	1							LAMP, Dome And Reading
	5AS36ST6	1							Spice/Saddle
	5AS36RC3AB	1							Mist Gray (P.A.R.)
	5AS36RT6AB	1							Spice/Saddle (P.A.R.)
2	5FY15RC3AA	1							LAMP, Cargo
	5FY15RT6AA	1							Gray
									Spice/Saddle
3	L0000561	1							BULB, 561
4	04565022	1							SWITCH AND LAMP, Glove Box
5	56021441	1							LAMP, Underhood
-6	0JV76RC3	1							LAMP, Dome
	0JV76RT6	1							Gray
									Spice/Saddle
7	56042072AB	1							LENS, Reading Lamp
-8	55352712AE	1							BRACKET, Dome Lamp



CHEROKEE (XJ)

SERIES LINE
L = LOWLINE B = JEEP - 2WD (RHD)
U = JEEP - 4WD (RHD)
T = LHD - (2WD)
J = JEEP - - LHD (4WD)

BODY
72 = 2DR (101.4 WB)
74 = 4 DR (101.4 WB)

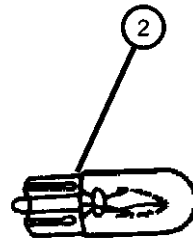
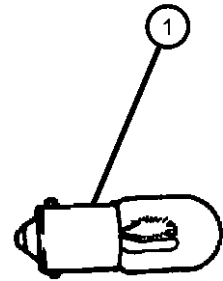
ENGINE TRANSMISSION
ENC = 2.5L 4 Cyl Turbo Diesel Engine DCB = Transmission - 4-Speed Manual,T3340
EPE = Engine - 2.5L Power Tech I-4 Cyl. DDQ = 5-Speed Manual Transmission
ERH = 4.0L Power Tech I-6 Engine DDX = 5-Speed HD Manual Transmission
ENO = Engines - ALL 4/5 CYL Turbo Diesel DGD = 3-Spd. Automatic 30RH Transmission
ERO = Engines - All 4.0L 6 Cyl Gas DGK = 4-Spd. Automatic 42RE Transmission
EPO = ENGINES - ALL 2.5L 4 CYL GAS DGS = 4-Speed Automatic AW4 Transmission
DGT = 4-Spd. Automatic 46RE Transmission
DGW = TRANSMISSION - 4-SPD. AUTOMATIC,44RE
DGX = 4-Speed Automatic Transmission
DGY = No Description Available
DGZ = Transmission- 4-Spd. Automatic,MT643
DBB = ALL MANUAL TRANSMISSIONS
DGO = TRANSMISSIONS - ALL AUTOMATIC

AR = use ase required - = Non illustrated part

1998 XJ

Bulbs
Figure 8-1170

ITEM	PART NUMBER	QTY	LINE	SERIES	BODY	ENGINE	TRANS	TRIM	DESCRIPTION
[DG0]=Automatic Transmission									
1	00154851AA	4							BULB, 3157
2	L0000168	2							BULB, 168
-3	09433040	1							BULB, 561
-4	09437448	2					DG0		BULB, 658
-5	06501966	2							BULB, 74
-6									BULB AND SOCKET
	04874122AB	1							Fog lamp switch, heated rear window switch, rear wiper washer switch
	04874123	1							Heated rear window switch, fog lamp switch
	04874349	5	B, U			EN0			Cluster
		5	B, U			EP0, ER0			Cluster
		5				EP0, ER0			Cluster
-7	04728646	1							BULB PACKAGE, 55 Watt, Foglamp Bulb

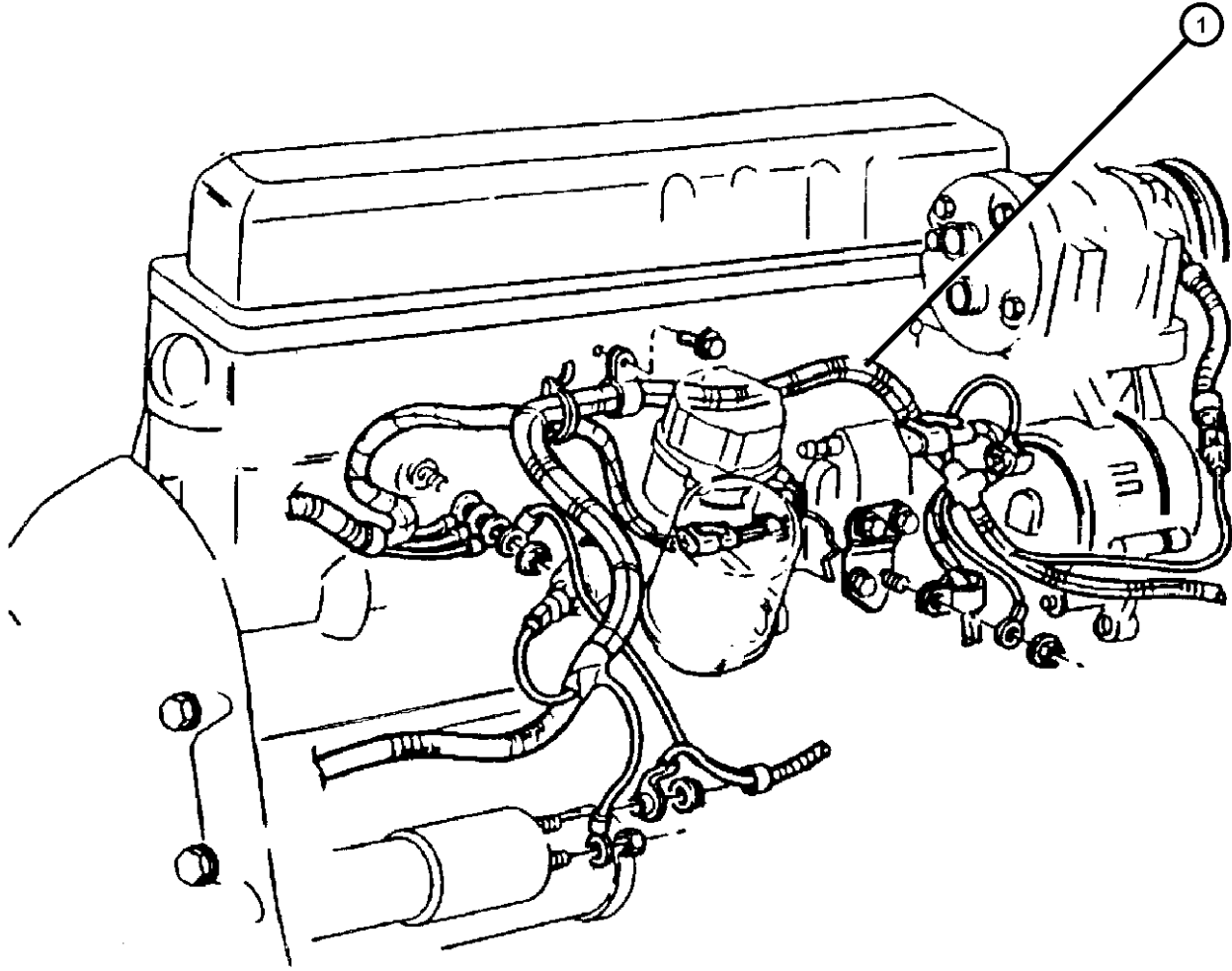


CHEROKEE (XJ)

SERIES	LINE	BODY	ENGINE	TRANSMISSION
L = LOWLINE	B = JEEP - 2WD (RHD) U = JEEP - 4WD (RHD) T = LHD - (2WD) J = JEEP - - LHD (4WD)	72 = 2DR (101.4 WB) 74 = 4 DR (101.4 WB)	ENC = 2.5L 4 Cyl Turbo Diesel Engine EPE = Engine - 2.5L Power Tech I-4 Cyl. ERH = 4.0L Power Tech I-6 Engine ENO = Engines - ALL 4/5 CYL Turbo Diesel ERO = Engines - All 4.0L 6 Cyl Gas EP0 = ENGINES - ALL 2.5L 4 CYL GAS	DCB = Transmission - 4-Speed Manual,T3340 DDQ = 5-Speed Manual Transmission DDX = 5-Speed HD Manual Transmission DGD = 3-Spd. Automatic 30RH Transmission DGK = 4-Spd. Automatic 42RE Transmission DGS = 4-Speed Automatic AW4 Transmission DGT = 4-Spd. Automatic 46RE Transmission DGW = TRANSMISSION - 4-SPD. AUTOMATIC,44RE DGX = 4-Speed Automatic Transmission DGY = No Description Available DGZ = Transmission- 4-Spd. Automatic,MT643 DBB = ALL MANUAL TRANSMISSIONS DG0 = TRANSMISSIONS - ALL AUTOMATIC

AR = use ase required - = Non illustrated part

**Wiring Engine & Related Parts
Figure 8-1210**



ITEM	PART NUMBER	QTY	LINE	SERIES	BODY	ENGINE	TRANS	TRIM	DESCRIPTION
------	-------------	-----	------	--------	------	--------	-------	------	-------------

[EP0]=2.5L Engine
 [ER0]=4.0L Engine
 [EN0]=4 Cylinder Turbo Diesel Engine
 [DG0]=Automatic Transmission
 [DBB]= Manual Transmission

1									WIRING, Engine
	56009771	1	B, T			EP0	DG0		Two Wheel Drive
	56009773AC	1	B, T			EP0	DBB		Two Wheel Drive
	56009774AC	1	J, U			EP0	DBB		231 Transfer Case
	56009775	1	B, T			ER0	DG0		2 Wheel Drive
	56009776	1	J, U			ER0	DG0		231 Transfer Case
	56009777	1	J, U			ER0	DG0		242 Transfer Case
	56009778AC	1	B, T			ER0	DBB		Two Wheel Drive
	56009779AC	1	J, U			ER0	DBB		231 Transfer Case
	56009781	1				EN0	DBB		
-2	56009781	1							WIRING, Alternator, (NOT REQUIRED)
-3	06101484	1							FUSE, Mini, 5 Amp, Tan
-4	06101487	1							FUSE, Mini, 15 AMP, Light Blue
-5	06101486	1							FUSE, Mini, 10 AMP, Red
-6	06101488	1							FUSE, Mini, 20 AMP, Yellow
-7	06101488	1							FUSE, Maxi, 30 Amp, Green, (NOT REQUIRED)
-8									COVER, Power Distribution Center
	56038361AB	AR							Export, Upper

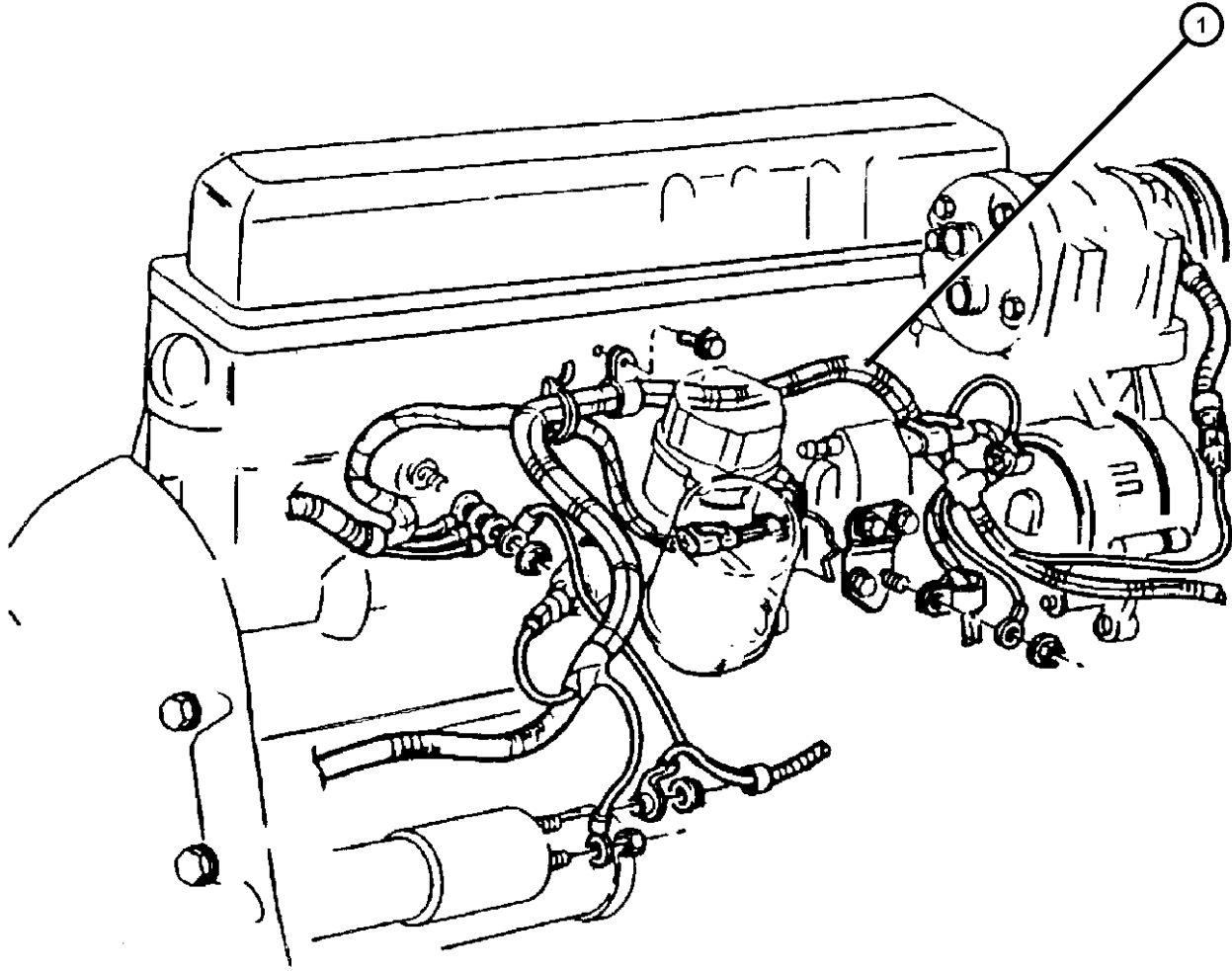
CHEROKEE (XJ)

SERIES	LINE	BODY	ENGINE	TRANSMISSION
L = LOWLINE	B = JEEP - 2WD (RHD) U = JEEP - 4WD (RHD) T = LHD - (2WD) J = JEEP - - LHD (4WD)	72 = 2DR (101.4 WB) 74 = 4 DR (101.4 WB)	ENC = 2.5L 4 Cyl Turbo Diesel Engine EPE = Engine - 2.5L Power Tech I-4 Cyl. ERH = 4.0L Power Tech I-6 Engine ENO = Engines - ALL 4/5 CYL Turbo Diesel ERO = Engines - All 4.0L 6 Cyl Gas EP0 = ENGINES - ALL 2.5L 4 CYL GAS	DCB = Transmission - 4-Speed Manual,T3340 DDQ = 5-Speed Manual Transmission DDX = 5-Speed HD Manual Transmission DGD = 3-Spd. Automatic 30RH Transmission DGK = 4-Spd. Automatic 42RE Transmission DGS = 4-Speed Automatic AW4 Transmission DGT = 4-Spd. Automatic 46RE Transmission DGW = TRANSMISSION - 4-SPD. AUTOMATIC,44RE DGX = 4-Speed Automatic Transmission DGY = No Description Available DGZ = Transmission- 4-Spd. Automatic,MT643 DBB = ALL MANUAL TRANSMISSIONS DG0 = TRANSMISSIONS - ALL AUTOMATIC

AR = use ase required - = Non illustrated part

**Wiring Engine & Related Parts
Figure 8-1210**

ITEM	PART NUMBER	QTY	LINE	SERIES	BODY	ENGINE	TRANS	TRIM	DESCRIPTION
	56038363	AR							, Upper
	56038364	1							Lower



CHEROKEE (XJ)

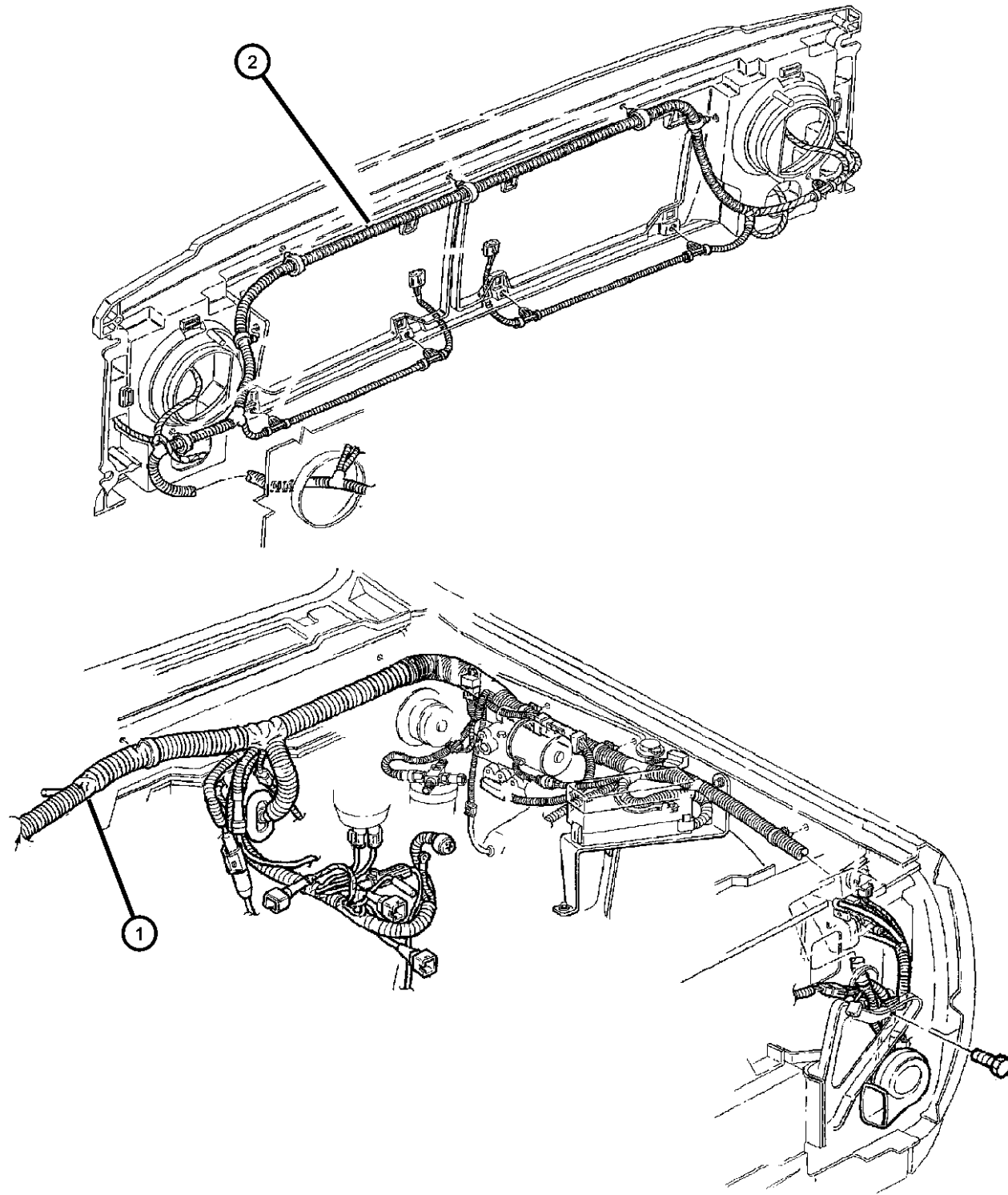
SERIES	LINE
L = LOWLINE	B = JEEP - 2WD (RHD) U = JEEP - 4WD (RHD) T = LHD - (2WD) J = JEEP - - LHD (4WD)

BODY
72 = 2DR (101.4 WB) 74 = 4 DR (101.4 WB)

ENGINE	TRANSMISSION
ENC = 2.5L 4 Cyl Turbo Diesel Engine	DCB = Transmission - 4-Speed Manual,T3340
EPE = Engine - 2.5L Power Tech I-4 Cyl.	DDQ = 5-Speed Manual Transmission
ERH = 4.0L Power Tech I-6 Engine	DDX = 5-Speed HD Manual Transmission
ENO = Engines - ALL 4/5 CYL Turbo Diesel	DGD = 3-Spd. Automatic 30RH Transmission
ERO = Engines - All 4.0L 6 Cyl Gas	DGK = 4-Spd. Automatic 42RE Transmission
EPO = ENGINES - ALL 2.5L 4 CYL GAS	DGS = 4-Speed Automatic AW4 Transmission
	DGT = 4-Spd. Automatic 46RE Transmission
	DGW = TRANSMISSION - 4-SPD. AUTOMATIC,44RE
	DGX = 4-Speed Automatic Transmission
	DGY = No Description Available
	DGZ = Transmission- 4-Spd. Automatic,MT643
	DBB = ALL MANUAL TRANSMISSIONS
	DG0 = TRANSMISSIONS - ALL AUTOMATIC

AR = use ase required - = Non illustrated part

Wiring Headlamp / Dash
Figure 8-1310



ITEM	PART NUMBER	QTY	LINE	SERIES	BODY	ENGINE	TRANS	TRIM	DESCRIPTION
------	-------------	-----	------	--------	------	--------	-------	------	-------------

[EP0]=2.5L Engine
[ER0]=4.0L Engine
[EN0]=4 Cylinder Turbo Diesel Engine
[DG0]=Automatic Transmission
[DBB]= Manual Transmission

1									WIRING, Headlamp to Dash
	56009737AB	1	J, T			EP0			with Halogen Headlamp-Daytime Running Lights
	56009738AB	1	J, T			EP0			without Halogen Headlamp-Daytime Running Lamp
	56009739AB	1	J, T			ER0	DG0		with ABS & without Halogen Headlamp-Daytime Running Lights
	56009740AB	1	J, T			ER0	DG0		with Halogen Headlamp-Daytime Running Lights without ABS
	56009741AB	1	J, T			ER0	DG0		with Halogen Headlamp-Daytime Running Lamp & ABS
	56009742AB	1	J, T			ER0	DG0		Standard with ABS
	56009743AB	1	J, T			ER0	DG0		without ABS & Halogen with Headlamp-Daytime Running Lights/Premium Sound System/Dual Road Fog Lamp & Headlamp Leveling Device
	56009744AB	1	J, T			ER0	DBB		with ABS without Halogen Headlamp-Daytime Running Lights
	56009745AB	1	J, T			ER0	DBB		without ABS & with Halogen Headlamp-Daytime Running Lights

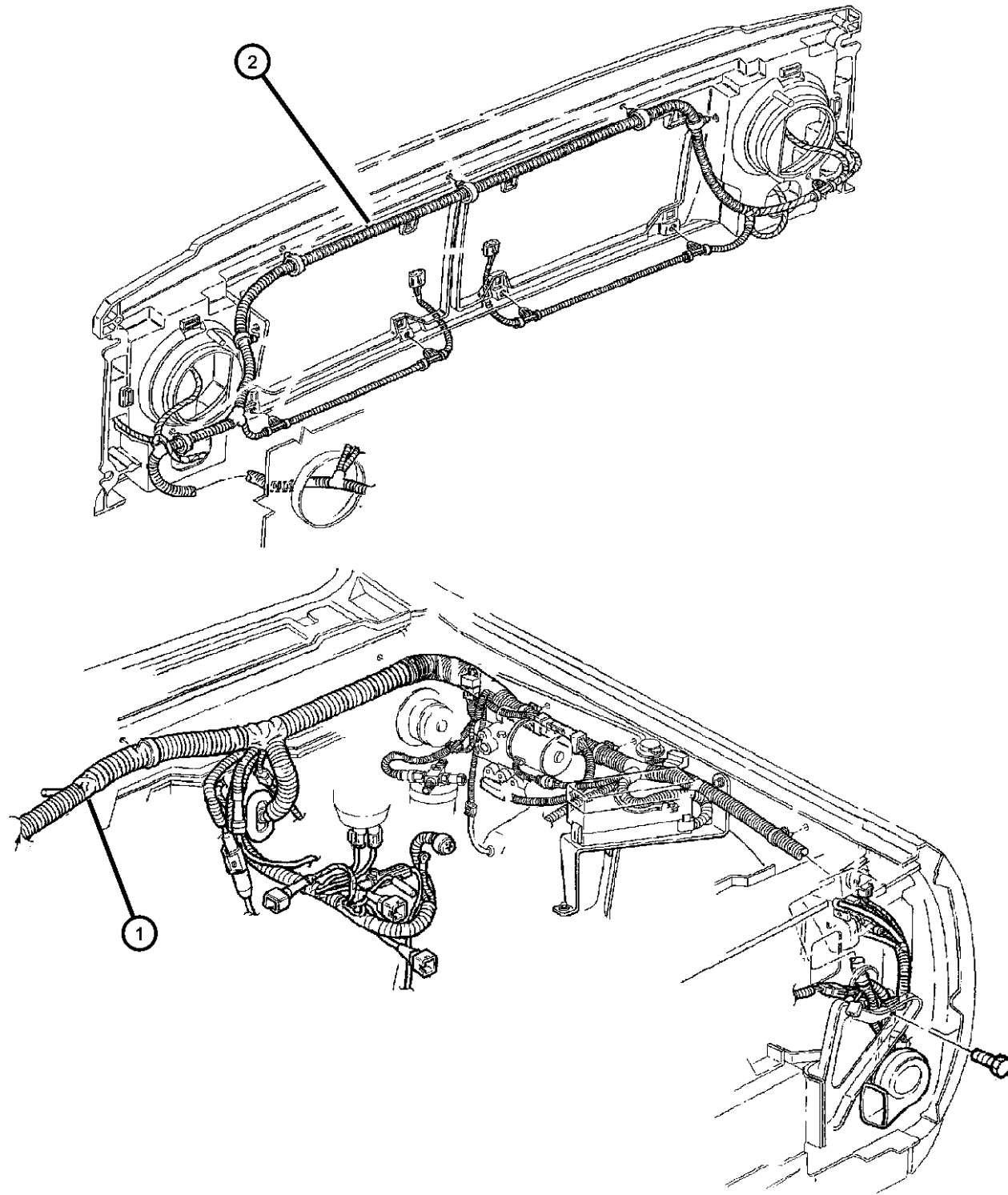
CHEROKEE (XJ)

SERIES	LINE	BODY	ENGINE	TRANSMISSION
L = LOWLINE	B = JEEP - 2WD (RHD) U = JEEP - 4WD (RHD) T = LHD - (2WD) J = JEEP - - LHD (4WD)	72 = 2DR (101.4 WB) 74 = 4 DR (101.4 WB)	ENC = 2.5L 4 Cyl Turbo Diesel Engine EPE = Engine - 2.5L Power Tech I-4 Cyl. ERH = 4.0L Power Tech I-6 Engine ENO = Engines - ALL 4/5 CYL Turbo Diesel ERO = Engines - All 4.0L 6 Cyl Gas EP0 = ENGINES - ALL 2.5L 4 CYL GAS	DCB = Transmission - 4-Speed Manual,T3340 DDQ = 5-Speed Manual Transmission DDX = 5-Speed HD Manual Transmission DGD = 3-Spd. Automatic 30RH Transmission DGK = 4-Spd. Automatic 42RE Transmission DGS = 4-Speed Automatic AW4 Transmission DGT = 4-Spd. Automatic 46RE Transmission DGW = TRANSMISSION - 4-SPD. AUTOMATIC,44RE DGX = 4-Speed Automatic Transmission DGY = No Description Available DGZ = Transmission- 4-Spd. Automatic,MT643 DBB = ALL MANUAL TRANSMISSIONS DG0 = TRANSMISSIONS - ALL AUTOMATIC

AR = use ase required - = Non illustrated part

1998 XJ

Wiring Headlamp / Dash
Figure 8-1310



ITEM	PART NUMBER	QTY	LINE	SERIES	BODY	ENGINE	TRANS	TRIM	DESCRIPTION
	56009746AB	1	J, T			ER0	DBB		with ABS & Halogen Headlamp-Daytime Running Lights
	56009747AB	1	J, T			ER0	DBB		without ABS & without Halogen Headlamp-Daytime running Lights
	56009748AB	1	B, U			EP0	DBB		Standard
	56009749AB	1	B, U			ER0	DG0		without ABS
	56009750AB	1	B, U			ER0	DG0		with ABS
	56009751AC	1	B, U			EN0			with ABS
	56009752AC	1	B, U			EN0			without ABS
	56009753AB	1	J			EN0			with ABS
	56009754AB	1	J, T			EN0			without ABS
2									WIRING, Front End Lighting
	56007628AC	1							with Export Equipment Package & Headlamp Leveling Device
	56007684AB	1							without Headlamp Leveling Device & without Export Equipment Package
	56007686AC	1							with Export Equipment Package & without Headlamp Leveling Device
	56007687AB	1							with Headlamp Leveling Device & without Export Equipment Package
-3	56007685	2							WIRING, Turn Signal Lamp, Export
-4									BRACKET, Power Distribution Center

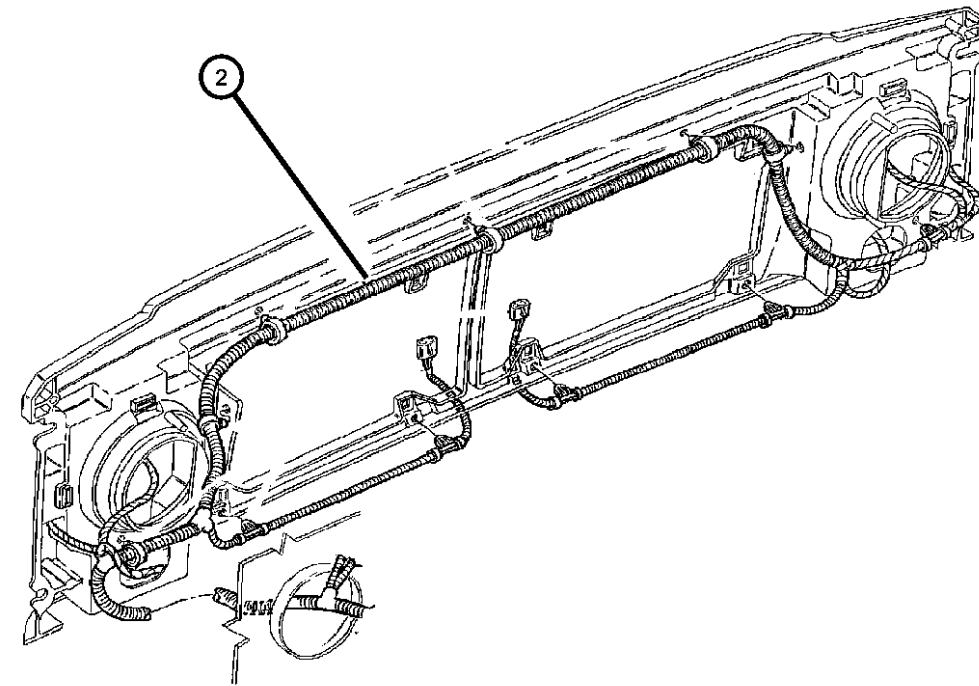
CHEROKEE (XJ)

SERIES	LINE	BODY	ENGINE	TRANSMISSION
L = LOWLINE	B = JEEP - 2WD (RHD) U = JEEP - 4WD (RHD) T = LHD - (2WD) J = JEEP - - LHD (4WD)	72 = 2DR (101.4 WB) 74 = 4 DR (101.4 WB)	ENC = 2.5L 4 Cyl Turbo Diesel Engine EPE = Engine - 2.5L Power Tech I-4 Cyl. ERH = 4.0L Power Tech I-6 Engine ENO = Engines - ALL 4/5 CYL Turbo Diesel ERO = Engines - All 4.0L 6 Cyl Gas EP0 = ENGINES - ALL 2.5L 4 CYL GAS	DCB = Transmission - 4-Speed Manual,T3340 DDQ = 5-Speed Manual Transmission DDX = 5-Speed HD Manual Transmission DGD = 3-Spd. Automatic 30RH Transmission DGG = 4-Spd. Automatic 42RE Transmission DGS = 4-Speed Automatic AW4 Transmission DGT = 4-Spd. Automatic 46RE Transmission DGW = TRANSMISSION - 4-SPD. AUTOMATIC,44RE DGX = 4-Speed Automatic Transmission DGY = No Description Available DGZ = Transmission- 4-Spd. Automatic,MT643 DBB = ALL MANUAL TRANSMISSIONS DG0 = TRANSMISSIONS - ALL AUTOMATIC

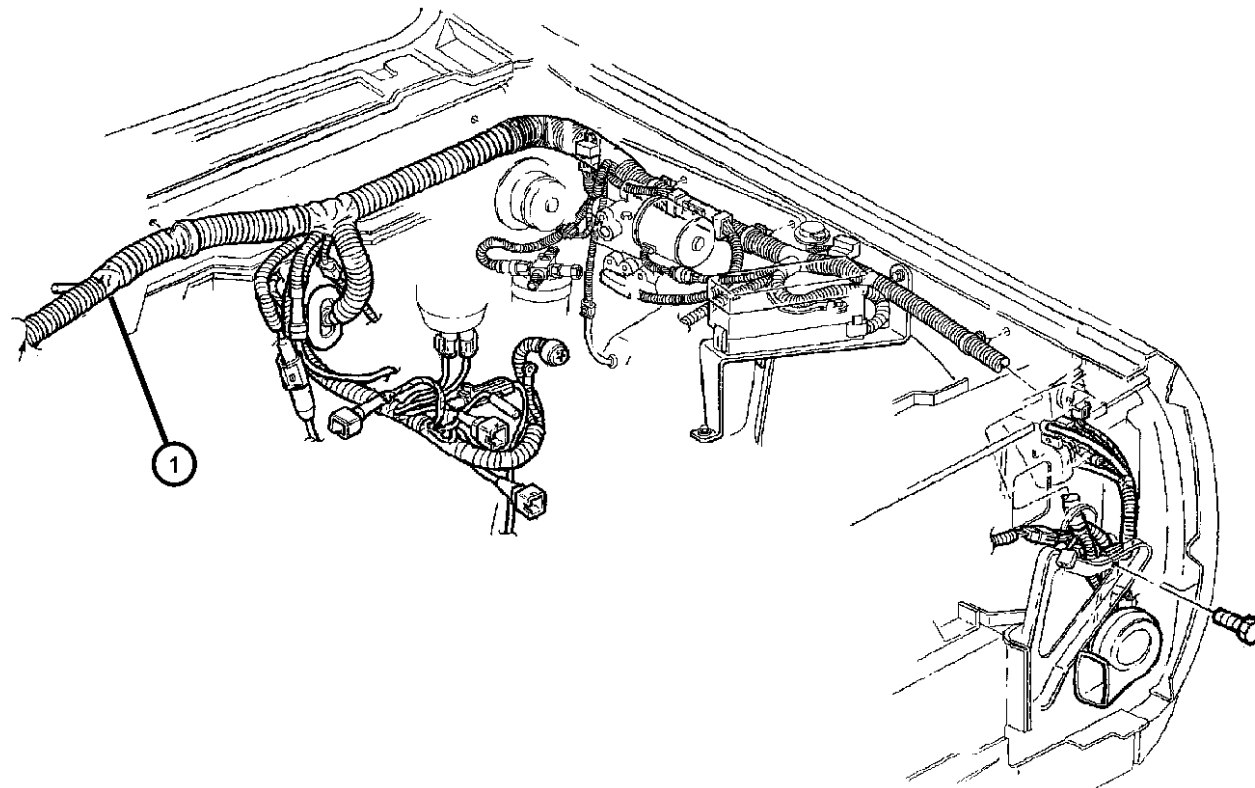
AR = use ase required - = Non illustrated part

Wiring Headlamp / Dash
Figure 8-1310

ITEM	PART NUMBER	QTY	LINE	SERIES	BODY	ENGINE	TRANS	TRIM	DESCRIPTION
------	-------------	-----	------	--------	------	--------	-------	------	-------------



	56008885	1	J, T			EP0, ER0			
	56009151AB	1				EN0			
	56009418AB	1	B, U			EP0, ER0			
-5	56038363	AR							COVER, Power Distribution Center



CHEROKEE (XJ)

SERIES	LINE
L = LOWLINE	B = JEEP - 2WD (RHD) U = JEEP - 4WD (RHD) T = LHD - (2WD) J = JEEP - - LHD (4WD)

BODY
72 = 2DR (101.4 WB) 74 = 4 DR (101.4 WB)

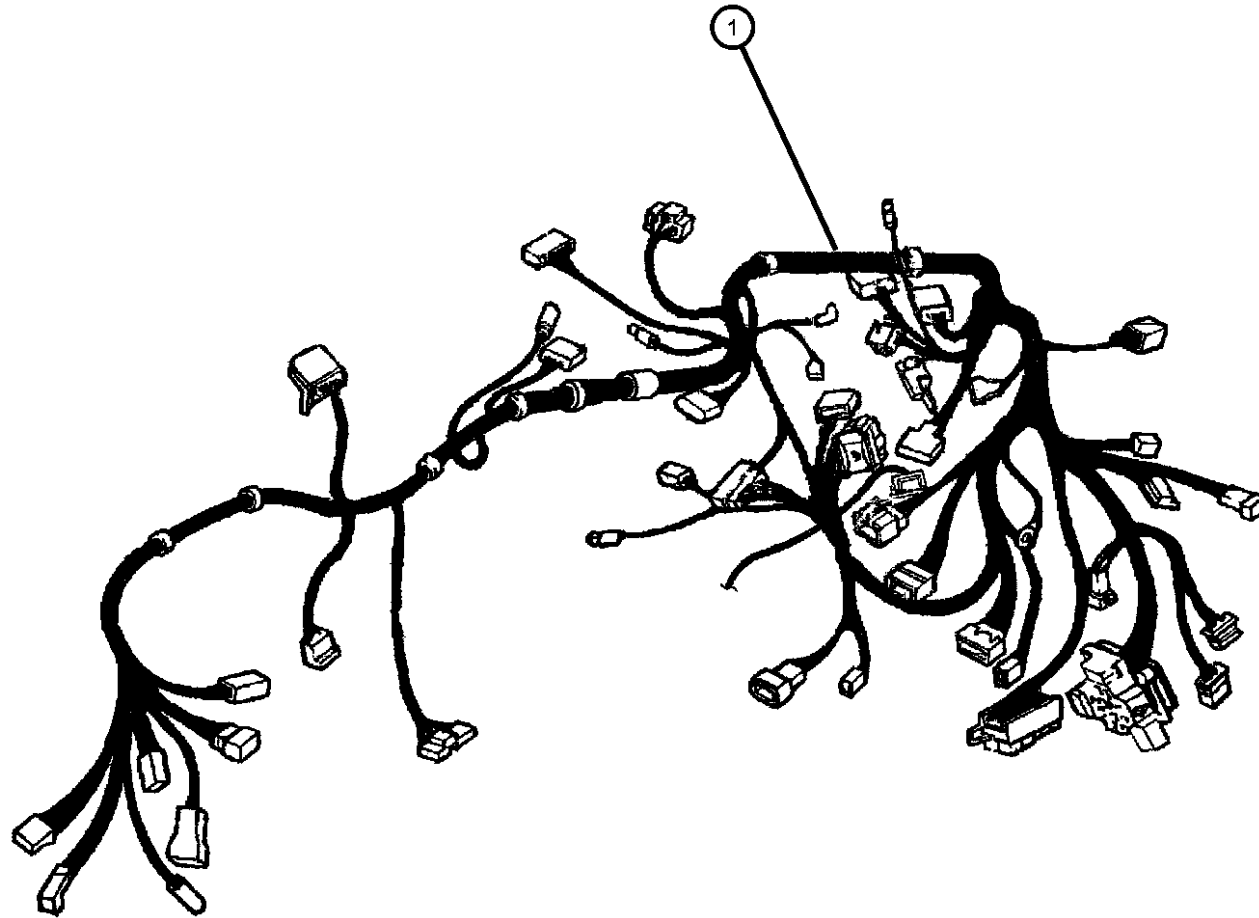
ENGINE	TRANSMISSION
ENC = 2.5L 4 Cyl Turbo Diesel Engine	DCB = Transmission - 4-Speed Manual,T3340
EPE = Engine - 2.5L Power Tech I-4 Cyl.	DDQ = 5-Speed Manual Transmission
ERH = 4.0L Power Tech I-6 Engine	DDX = 5-Speed HD Manual Transmission
ENO = Engines - ALL 4/5 CYL Turbo Diesel	DGD = 3-Spd. Automatic 30RH Transmission
ERO = Engines - All 4.0L 6 Cyl Gas	DGK = 4-Spd. Automatic 42RE Transmission
EP0 = ENGINES - ALL 2.5L 4 CYL GAS	DGS = 4-Speed Automatic AW4 Transmission
	DGT = 4-Spd. Automatic 46RE Transmission
	DGW = TRANSMISSION - 4-SPD. AUTOMATIC,44RE
	DGX = 4-Speed Automatic Transmission
	DGY = No Description Available
	DGZ = Transmission- 4-Spd. Automatic,MT643
	DBB = ALL MANUAL TRANSMISSIONS
	DG0 = TRANSMISSIONS - ALL AUTOMATIC

AR = use ase required - = Non illustrated part

1998 XJ

**Wiring Instrument Panel
Figure 8-1410**

ITEM	PART NUMBER	QTY	LINE	SERIES	BODY	ENGINE	TRANS	TRIM	DESCRIPTION
1									WIRING, Instrument Panel
	56009791AB	1	J, T						w/Power Locks & Dual Road Fog Lamps, Left Hand Drive
	56009794AB	1	J, T						w/o Power Locks, Left Hand Drive
	56009795AB	1	J, T						EUROPE, Left Hand Drive
	56009797AB	1	J, T						w/Police Package, Left Hand Drive
	56009798AB	1	B, U						w/Postal Package, Right Hand Drive
	56009799AB	1	B, U						EUROPE, Right Hand Drive
	56009802AB	1	J, T						Floor
-2	56017442	2							WIRING, Courtesy Lamp
-3	56009715	1							COVER, Fuse Access
-4	56007573AD	1							JUNCTION BLOCK, Multifunction Module

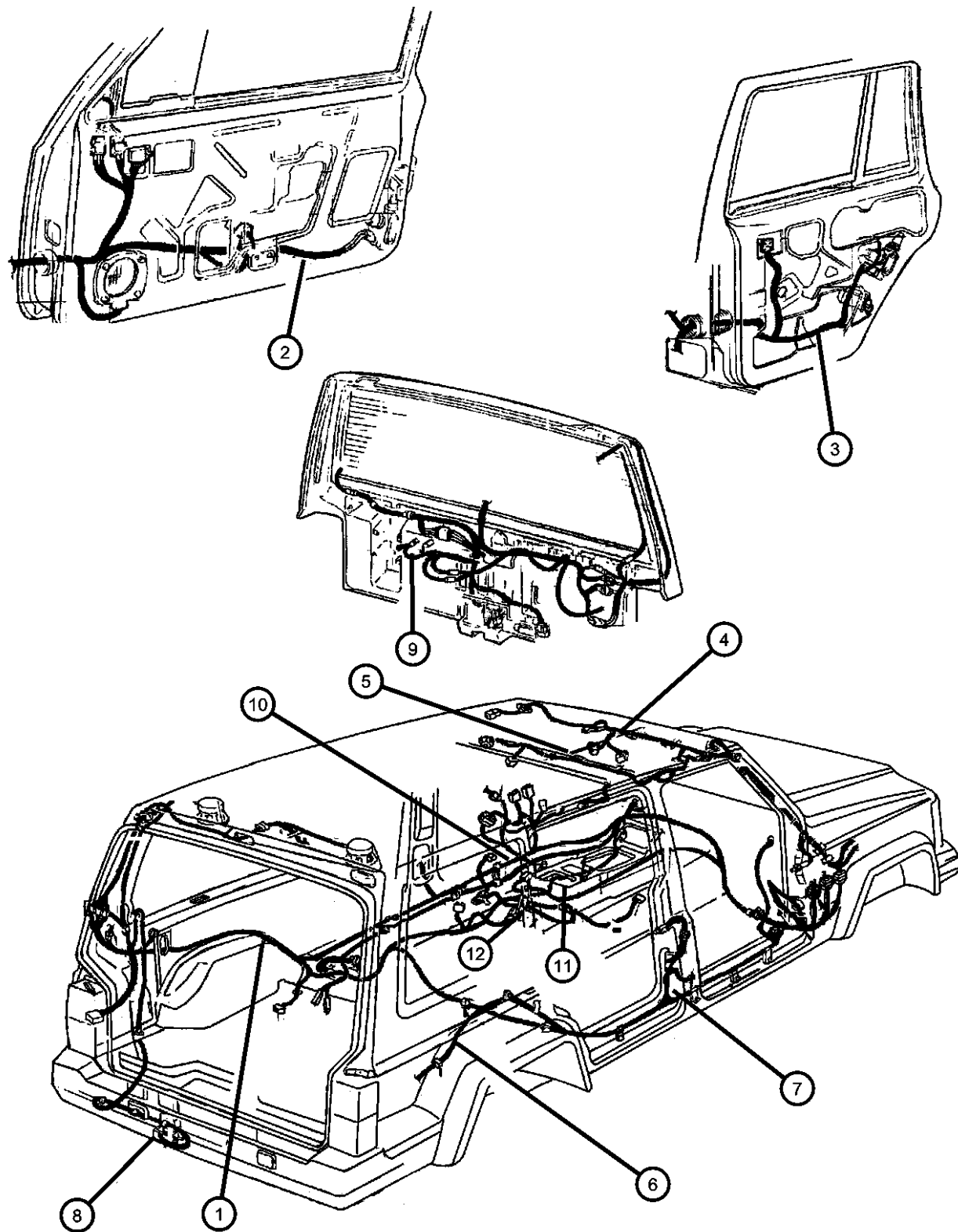


CHEROKEE (XJ)

SERIES	LINE	BODY	ENGINE	TRANSMISSION
L = LOWLINE	B = JEEP - 2WD (RHD) U = JEEP - 4WD (RHD) T = LHD - (2WD) J = JEEP - - LHD (4WD)	72 = 2DR (101.4 WB) 74 = 4 DR (101.4 WB)	ENC = 2.5L 4 Cyl Turbo Diesel Engine EPE = Engine - 2.5L Power Tech I-4 Cyl. ERH = 4.0L Power Tech I-6 Engine ENO = Engines - ALL 4/5 CYL Turbo Diesel ERO = Engines - All 4.0L 6 Cyl Gas EPO = ENGINES - ALL 2.5L 4 CYL GAS	DCB = Transmission - 4-Speed Manual,T3340 DDQ = 5-Speed Manual Transmission DDX = 5-Speed HD Manual Transmission DGD = 3-Spd. Automatic 30RH Transmission DGK = 4-Spd. Automatic 42RE Transmission DGS = 4-Speed Automatic AW4 Transmission DGT = 4-Spd. Automatic 46RE Transmission DGW = TRANSMISSION - 4-SPD. AUTOMATIC,44RE DGX = 4-Speed Automatic Transmission DGY = No Description Available DGZ = Transmission- 4-Spd. Automatic,MT643 DBB = ALL MANUAL TRANSMISSIONS DGO = TRANSMISSIONS - ALL AUTOMATIC

AR = use ase required - = Non illustrated part

Wiring Body & Accessory
Figure 8-1510



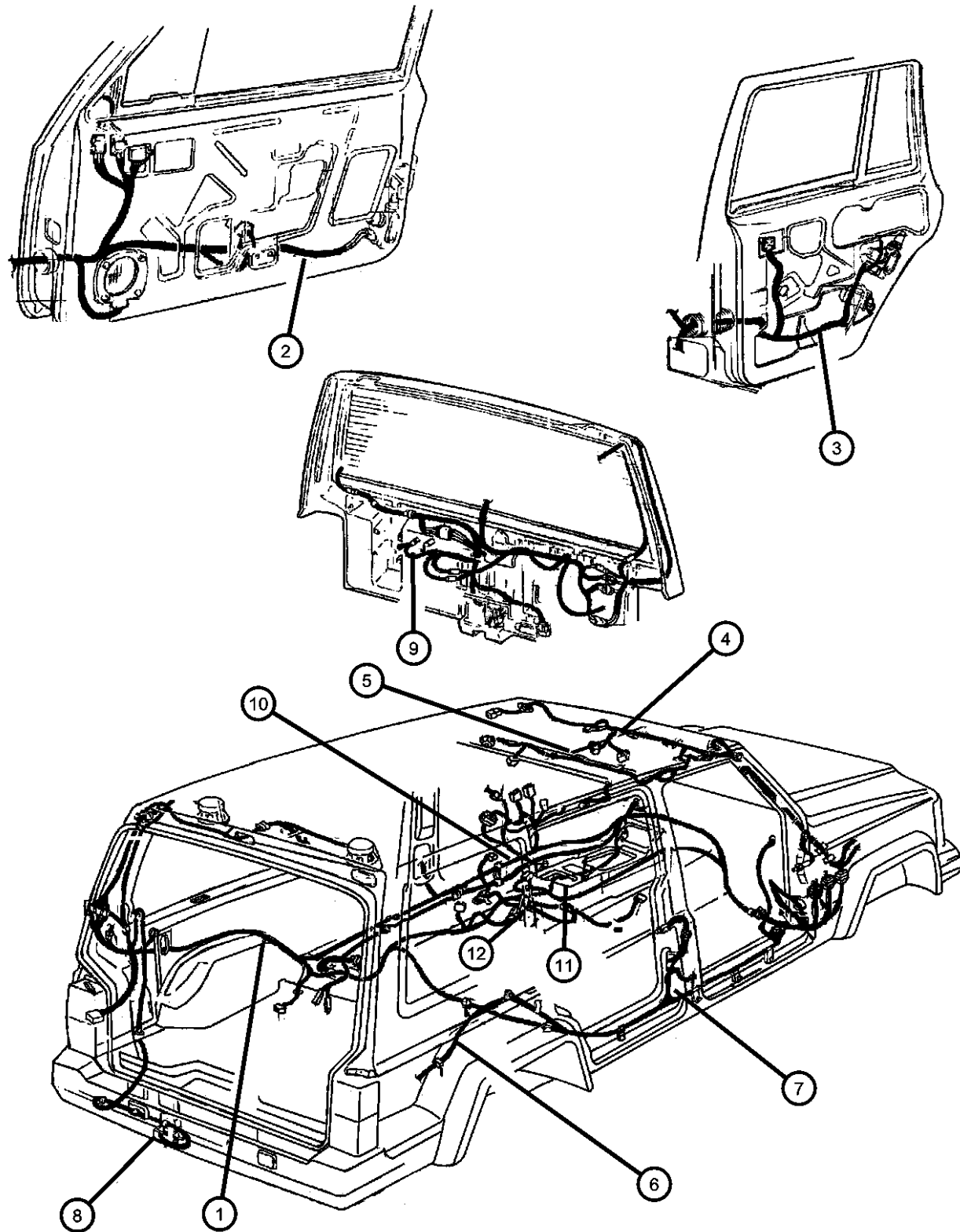
ITEM	PART NUMBER	QTY	LINE	SERIES	BODY	ENGINE	TRANS	TRIM	DESCRIPTION
1	56009808AB	1	J, T						WIRING, Body
	56009809AB	1	J, T						Standard, Left Hand Drive
	56009810AB	1	J, T						w/Premium System & w/o Power Locks, Left Hand Drive
	56009811AB	1	J, T						w/Power Locks & w/o Premium Sound System, Left Hand Drive
	56009812AB	1	B, U						w/Power Locks & Premium Sound System, Left Hand Drive
	56009813AB	1	B, U						Standard, Right Hand Drive
	56009814AB	1	B, U						w/Premium Sound System & w/o Power Locks, Right Hand Drive
	56009815AB	1	B, U						w/Power Locks & w/o Premium Sound system, Right Hand Drive
2	56009819AB	1							WIRING, Door
	56009820AB	1	J, T						Standard, Left Door
	56009821AB	1	J, T						w/Power Mirror (LHD), Left Door
	56009823AB	1	B, U						w/Power Locks (LHD), Left Door
	56009824AB	1	B, U						w/power Locks (RHD), Left Door
	56009826AB	1							w/Power Mirror (RHD), Left Door
	56009827AB	1	J, T						Standard, Right Door
	56009828AB	1	J, T						w/Power Mirror (LHD), Right Door
	56009830AB	1	B, U						w/Power Locks (LHD), Right Door

CHEROKEE (XJ)

SERIES	LINE	BODY	ENGINE	TRANSMISSION
L = LOWLINE	B = JEEP - 2WD (RHD) U = JEEP - 4WD (RHD) T = LHD - (2WD) J = JEEP - - LHD (4WD)	72 = 2DR (101.4 WB) 74 = 4 DR (101.4 WB)	ENC = 2.5L 4 Cyl Turbo Diesel Engine EPE = Engine - 2.5L Power Tech I-4 Cyl. ERH = 4.0L Power Tech I-6 Engine ENO = Engines - ALL 4/5 CYL Turbo Diesel ERO = Engines - All 4.0L 6 Cyl Gas EPO = ENGINES - ALL 2.5L 4 CYL GAS	DCB = Transmission - 4-Speed Manual,T3340 DDQ = 5-Speed Manual Transmission DDX = 5-Speed HD Manual Transmission DGD = 3-Spd. Automatic 30RH Transmission DGK = 4-Spd. Automatic 42RE Transmission DGS = 4-Speed Automatic AW4 Transmission DGT = 4-Spd. Automatic 46RE Transmission DGW = TRANSMISSION - 4-SPD. AUTOMATIC,44RE DGX = 4-Speed Automatic Transmission DGY = No Description Available DGZ = Transmission- 4-Spd. Automatic,MT643 DBB = ALL MANUAL TRANSMISSIONS DGO = TRANSMISSIONS - ALL AUTOMATIC

AR = use ase required - = Non illustrated part

Wiring Body & Accessory
Figure 8-1510



ITEM	PART NUMBER	QTY	LINE	SERIES	BODY	ENGINE	TRANS	TRIM	DESCRIPTION
	56009831AB	1	B, U						w/Power Mirror (RHD), Right Door
3	56009806AB	2			74				WIRING, Rear Door, w/Power Locks
4	04882780	1							WIRING, Overhead Console w/Keyless Entry Type I w/Export Equipment Package JAPAN USA CANADA
5	56009702AB	1							WIRING, Dome Lamp w/Illuminated Mirrors
	56009702AD	1							w/Keyless Entry
	56009439AD	1							w/Police Package (LHD)
	56009703AD	1							Standard
	56009705AC	1	J, T						WIRING, Body to Liftgate
6	56009816	1							WIRING, Door Jumper
7	56007579AB	2							Jumper
	56009804	2			74				Courtesy Lamp Switch (Model 74)
8	56009832	1							WIRING, Trailer Tow
9	56009760AB	1							WIRING, Liftgate
10									WIRING, Power Seat

CHEROKEE (XJ)

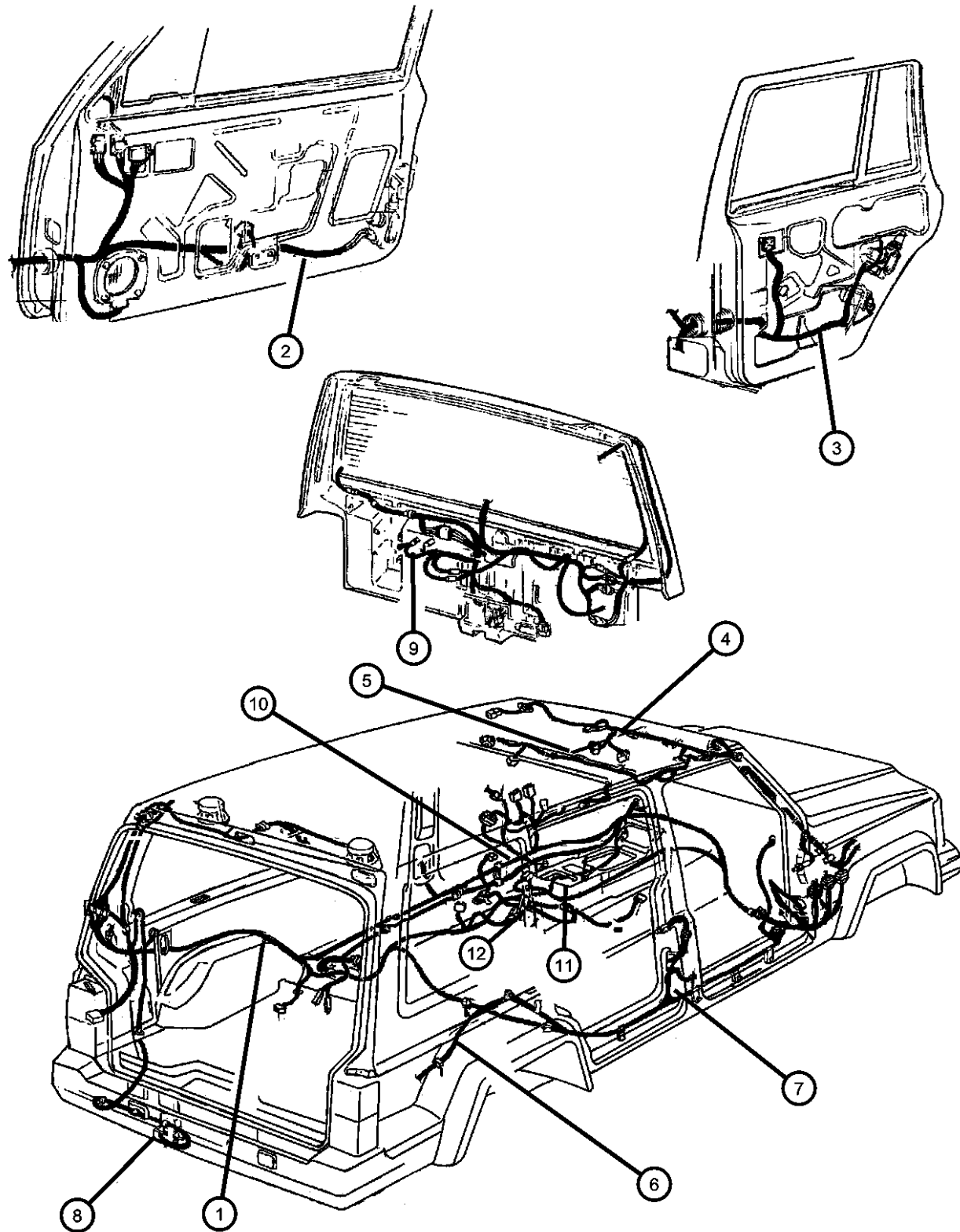
SERIES LINE
 L = LOWLINE B = JEEP - 2WD (RHD)
 U = JEEP - 4WD (RHD)
 T = LHD - (2WD)
 J = JEEP - - LHD (4WD)

BODY
 72 = 2DR (101.4 WB)
 74 = 4 DR (101.4 WB)

ENGINE TRANSMISSION
 ENC = 2.5L 4 Cyl Turbo Diesel Engine DCB = Transmission - 4-Speed Manual,T3340
 EPE = Engine - 2.5L Power Tech I-4 Cyl. DDQ = 5-Speed Manual Transmission
 ERH = 4.0L Power Tech I-6 Engine DDX = 5-Speed HD Manual Transmission
 ENO = Engines - ALL 4/5 CYL Turbo Diesel DGD = 3-Spd. Automatic 30RH Transmission
 ERO = Engines - All 4.0L 6 Cyl Gas DGK = 4-Spd. Automatic 42RE Transmission
 EPO = ENGINES - ALL 2.5L 4 CYL GAS DGS = 4-Speed Automatic AW4 Transmission
 DGT = 4-Spd. Automatic 46RE Transmission
 DGW = TRANSMISSION - 4-SPD. AUTOMATIC,44RE
 DGX = 4-Speed Automatic Transmission
 DGY = No Description Available
 DGZ = Transmission- 4-Spd. Automatic,MT643
 DBB = ALL MANUAL TRANSMISSIONS
 DGO = TRANSMISSIONS - ALL AUTOMATIC

AR = use ase required - = Non illustrated part

Wiring Body & Accessory
Figure 8-1510



ITEM	PART NUMBER	QTY	LINE	SERIES	BODY	ENGINE	TRANS	TRIM	DESCRIPTION
	56008712	1	B, U		74				6 Way Type II w/Export Equipment Package (Left) Trim XJ, Right Hand Drive
		1	J, T		74				6 Way Type II w/Export Equipment Package (Left) Trim XJ, Left Hand Drive
		1	J, T		72				6 Way Type II w/Export Equipment Package (Left) Trim XJ, Left Hand Drive
		1	J, T		74				6 Way Type II w/Export Equipment Package (Left) Trim DL, Left Hand Drive
		1	J, T		74				6 Way Type I w/First Position Rear Bench/Folding (Left) Trim DL, Left Hand Drive
		1	J, T		72				6 Way Type I w/First Position Rear Bench/Folding (Left) Trim M5, Left Hand Drive
		1	B, U		74				6 Way Type II w/Export Equipment Package (Left) Trim DI, Right Hand Drive
	56008713	1	B, U		74				6 Way Type II w/Export Equipment Package (Right) Trim XJ, Right Hand Drive
		1	B, U		74				6 Way Type II w/Export Equipment Package (Right) Trim DL, Right Hand Drive
		1	J, T		74				6 Way Type II w/Export Equipment Package (Right) Trim XJ, Left Hand Drive

CHEROKEE (XJ)

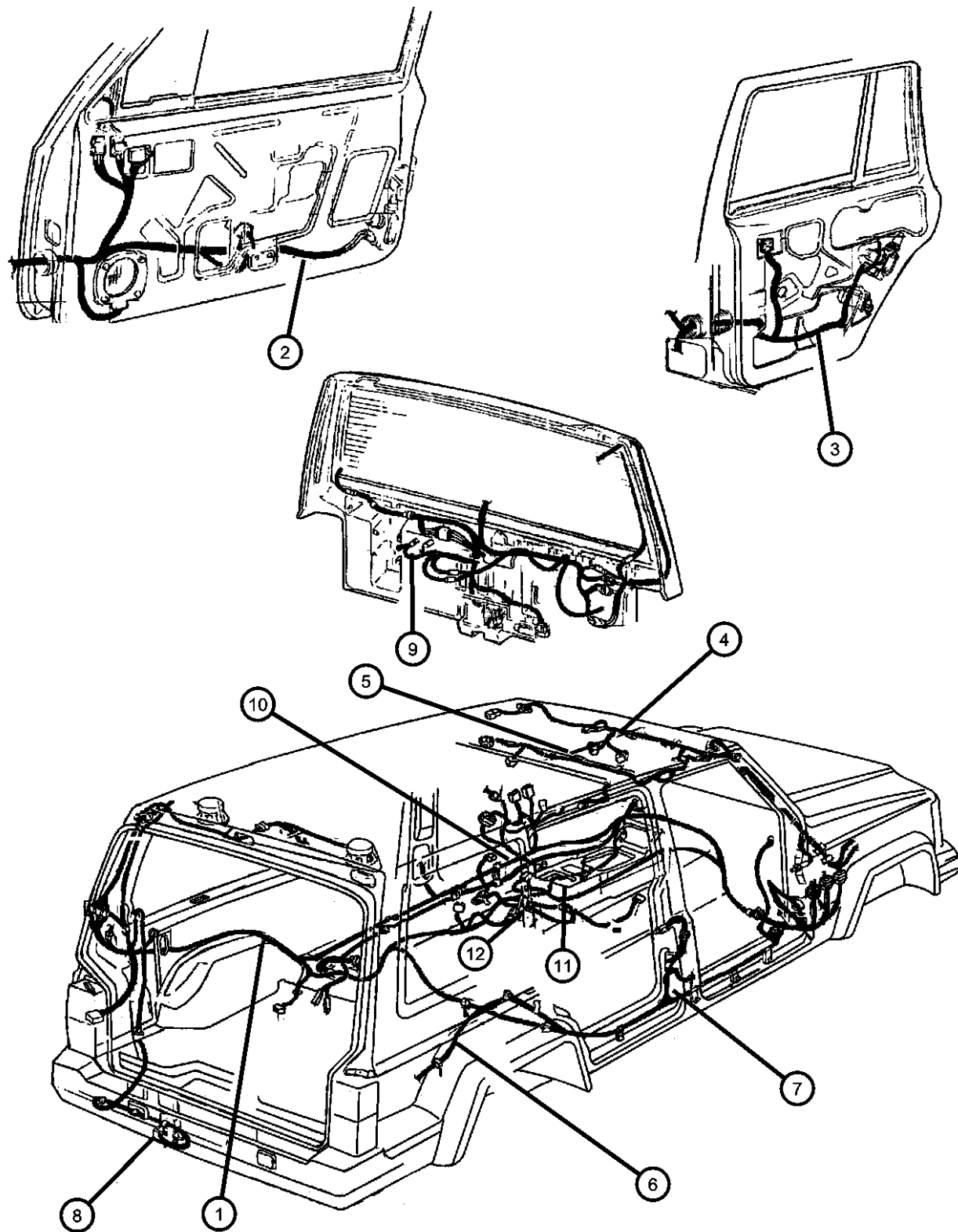
SERIES LINE
 L = LOWLINE B = JEEP - 2WD (RHD)
 U = JEEP - 4WD (RHD)
 T = LHD - (2WD)
 J = JEEP - - LHD (4WD)

BODY
 72 = 2DR (101.4 WB)
 74 = 4 DR (101.4 WB)

ENGINE TRANSMISSION
 ENC = 2.5L 4 Cyl Turbo Diesel Engine DCB = Transmission - 4-Speed Manual,T3340
 EPE = Engine - 2.5L Power Tech I-4 Cyl. DDQ = 5-Speed Manual Transmission
 ERH = 4.0L Power Tech I-6 Engine DDX = 5-Speed HD Manual Transmission
 ENO = Engines - ALL 4/5 CYL Turbo Diesel DGD = 3-Spd. Automatic 30RH Transmission
 ERO = Engines - All 4.0L 6 Cyl Gas DGK = 4-Spd. Automatic 42RE Transmission
 EPO = ENGINES - ALL 2.5L 4 CYL GAS DGS = 4-Speed Automatic AW4 Transmission
 DGT = 4-Spd. Automatic 46RE Transmission
 DGW = TRANSMISSION - 4-SPD. AUTOMATIC,44RE
 DGX = 4-Speed Automatic Transmission
 DGY = No Description Available
 DGZ = Transmission- 4-Spd. Automatic,MT643
 DBB = ALL MANUAL TRANSMISSIONS
 DGO = TRANSMISSIONS - ALL AUTOMATIC

AR = use ase required - = Non illustrated part

Wiring Body & Accessory
Figure 8-1510



ITEM	PART NUMBER	QTY	LINE	SERIES	BODY	ENGINE	TRANS	TRIM	DESCRIPTION
		1	J, T		72				6 Way Type II w/Export Equipment Package (Right) Trim XJ, Left Hand Drive
		1	J, T		74				6 Way Type II w/Export Equipment Package (Right) Trim DL, Left Hand Drive USA/CANADA (Type I)
	56009840	1							USA/CANADA (Type II)
	56009841	1							USA/CANADA (Type II)
11									WIRING, Console
	56009792	1	J, U				DBB		w/Manual Transmission
		1	B, T				DG0		w/Automatic Transmission
	56009793	1	J, U				DG0		w/Automatic Transmission
12	56009839	1							WIRING, Anti-lock Brake
-13	56038366AB	1							CONNECTOR, 7 Way, With Trailer Tow

CHEROKEE (XJ)

SERIES	LINE	BODY	ENGINE	TRANSMISSION
L = LOWLINE	B = JEEP - 2WD (RHD) U = JEEP - 4WD (RHD) T = LHD - (2WD) J = JEEP - - LHD (4WD)	72 = 2DR (101.4 WB) 74 = 4 DR (101.4 WB)	ENC = 2.5L 4 Cyl Turbo Diesel Engine EPE = Engine - 2.5L Power Tech I-4 Cyl. ERH = 4.0L Power Tech I-6 Engine ENO = Engines - ALL 4/5 CYL Turbo Diesel ERO = Engines - All 4.0L 6 Cyl Gas EPO = ENGINES - ALL 2.5L 4 CYL GAS	DCB = Transmission - 4-Speed Manual,T3340 DDQ = 5-Speed Manual Transmission DDX = 5-Speed HD Manual Transmission DGD = 3-Spd. Automatic 30RH Transmission DGK = 4-Spd. Automatic 42RE Transmission DGS = 4-Speed Automatic AW4 Transmission DGT = 4-Spd. Automatic 46RE Transmission DGW = TRANSMISSION - 4-SPD. AUTOMATIC,44RE DGX = 4-Speed Automatic Transmission DGY = No Description Available DGZ = Transmission- 4-Spd. Automatic,MT643 DBB = ALL MANUAL TRANSMISSIONS DG0 = TRANSMISSIONS - ALL AUTOMATIC

AR = use ase required - = Non illustrated part

**Wiring Repair
Figure 8-1605**

ITEM	PART NUMBER	QTY	LINE	SERIES	BODY	ENGINE	TRANS	TRIM	DESCRIPTION
-1	05013930AA	1							WIRING PACKAGE, Underhood Connector Repair, For Electrical Connector Repair Information visit the World Wide Web at http://dto.vftis.com/mopar/disclaimer.asp
-2	04863839	1							CONNECTOR PACKAGE, Beam Select Switch

For Electrical Connector Repair Information visit the World Wide Web at

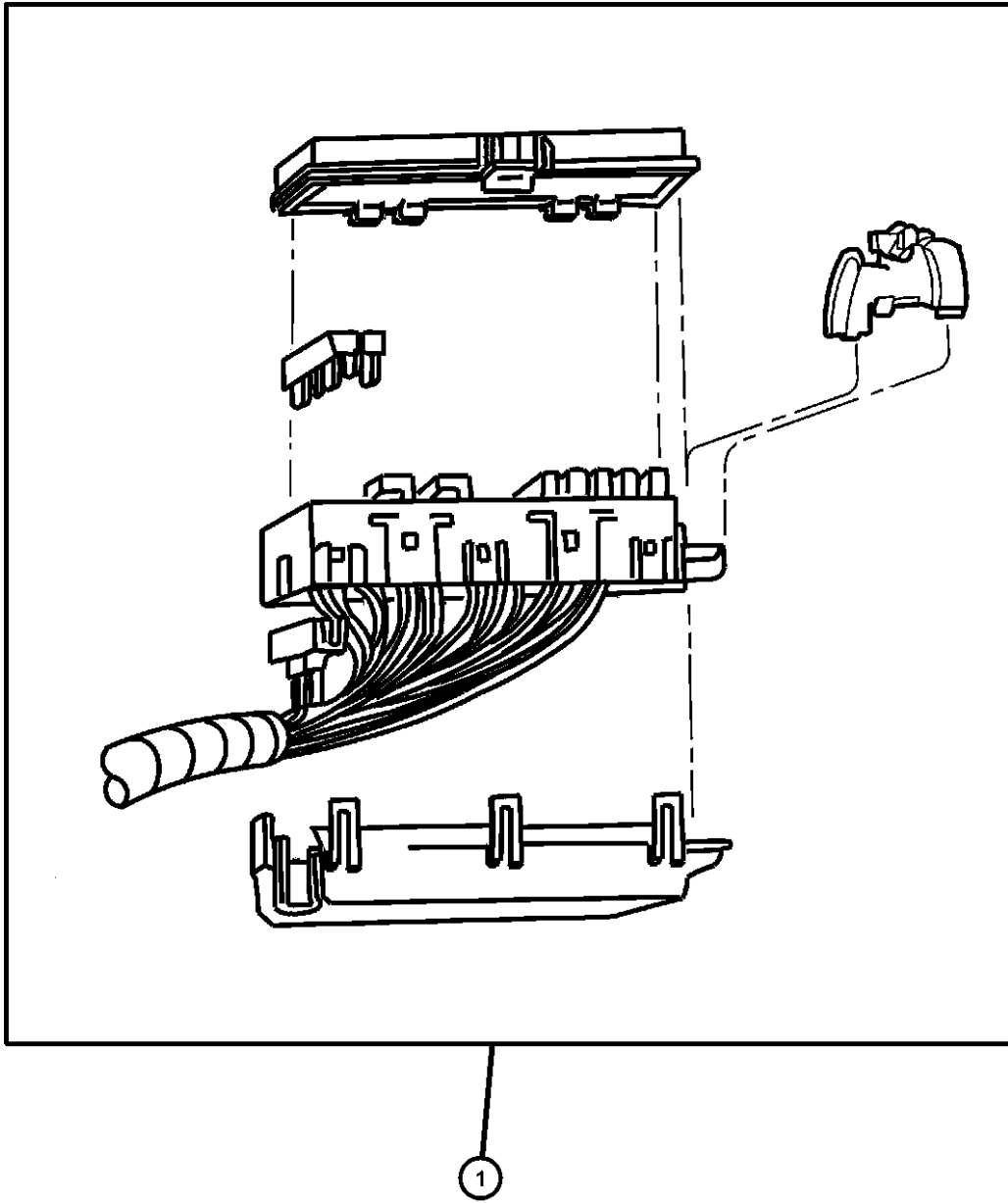
<http://dto.vftis.com/mopar/disclaimer.asp>

CHEROKEE (XJ)

SERIES	LINE	BODY	ENGINE	TRANSMISSION
L = LOWLINE	B = JEEP - 2WD (RHD) U = JEEP - 4WD (RHD) T = LHD - (2WD) J = JEEP - - LHD (4WD)	72 = 2DR (101.4 WB) 74 = 4 DR (101.4 WB)	ENC = 2.5L 4 Cyl Turbo Diesel Engine EPE = Engine - 2.5L Power Tech I-4 Cyl. ERH = 4.0L Power Tech I-6 Engine ENO = Engines - ALL 4/5 CYL Turbo Diesel ERO = Engines - All 4.0L 6 Cyl Gas EPO = ENGINES - ALL 2.5L 4 CYL GAS	DCB = Transmission - 4-Speed Manual,T3340 DDQ = 5-Speed Manual Transmission DDX = 5-Speed HD Manual Transmission DGD = 3-Spd. Automatic 30RH Transmission DGK = 4-Spd. Automatic 42RE Transmission DGS = 4-Speed Automatic AW4 Transmission DGT = 4-Spd. Automatic 46RE Transmission DGW = TRANSMISSION - 4-SPD. AUTOMATIC,44RE DGX = 4-Speed Automatic Transmission DGY = No Description Available DGZ = Transmission- 4-Spd. Automatic,MT643 DBB = ALL MANUAL TRANSMISSIONS DGO = TRANSMISSIONS - ALL AUTOMATIC

**Power Distribution Center Repair
Figure 8-1610**

ITEM	PART NUMBER	QTY	LINE	SERIES	BODY	ENGINE	TRANS	TRIM	DESCRIPTION
1	05014460AA	1							REPAIR KIT, Power Distribution Center



CHEROKEE (XJ)

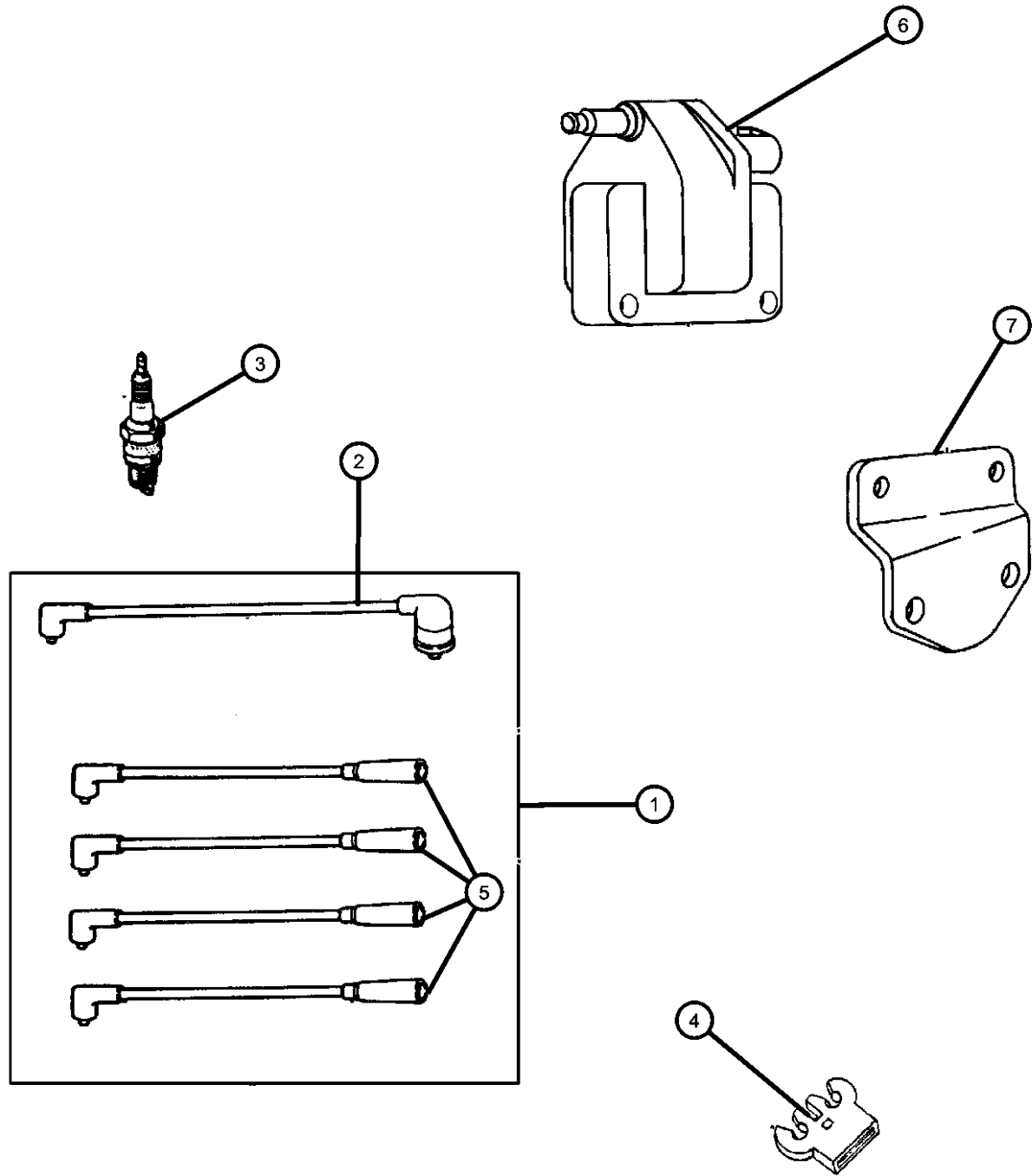
SERIES	LINE
L = LOWLINE	B = JEEP - 2WD (RHD) U = JEEP - 4WD (RHD) T = LHD - (2WD) J = JEEP - - LHD (4WD)

BODY
72 = 2DR (101.4 WB) 74 = 4 DR (101.4 WB)

ENGINE	TRANSMISSION
ENC = 2.5L 4 Cyl Turbo Diesel Engine	DCB = Transmission - 4-Speed Manual,T3340
EPE = Engine - 2.5L Power Tech I-4 Cyl.	DDQ = 5-Speed Manual Transmission
ERH = 4.0L Power Tech I-6 Engine	DDX = 5-Speed HD Manual Transmission
ENO = Engines - ALL 4/5 CYL Turbo Diesel	DGD = 3-Spd. Automatic 30RH Transmission
ERO = Engines - All 4.0L 6 Cyl Gas	DGK = 4-Spd. Automatic 42RE Transmission
EPO = ENGINES - ALL 2.5L 4 CYL GAS	DGS = 4-Speed Automatic AW4 Transmission
	DGT = 4-Spd. Automatic 46RE Transmission
	DGW = TRANSMISSION - 4-SPD. AUTOMATIC,44RE
	DGX = 4-Speed Automatic Transmission
	DGY = No Description Available
	DGZ = Transmission- 4-Spd. Automatic,MT643
	DBB = ALL MANUAL TRANSMISSIONS
	DG0 = TRANSMISSIONS - ALL AUTOMATIC

AR = use ase required - = Non illustrated part

Spark Plug-Cables & Coils
Figure 8-1905



ITEM	PART NUMBER	QTY	LINE	SERIES	BODY	ENGINE	TRANS	TRIM	DESCRIPTION
------	-------------	-----	------	--------	------	--------	-------	------	-------------

EP0=2.5L Engine
ER0=4.0L Engine
EN0=4 Cylinder Turbo Diesel Engine

1	83507178	1				ER0			CABLE PACKAGE, Ignition 4.0L Engine
	SPC40604AA								Mopar Tune Up Kit (Contains Cap Rotor and Spark Plug Wires) Mopar V-Line Alternative Part
	SPW07059AA								
	83507180	1				EP0			2.5L Engine Mopar V-Line Alternative Part
	SPW07058AA								
2	56027270	1				EP0			CABLE, Ignition Coil 2.5L Engine
	56041057	1				ER0			4.0L Engine
3	56027275	4				EP0			SPARK PLUG, RC-12-LYC5 2.5L Engine
	OSP00436								Canadian Aftermarket Part
		6				ER0			4.0L Engine Canadian Aftermarket Part
	OSP00436								
4	33007154	1				ER0			SEPERATOR, Ignition Cable 4.0L Engine
	53006579	1				EP0			2.5L Engine
5	33007152	1				EP0			CABLE, Ignition #1 2.5L Engine
	33007153	1				EP0			#3 2.5L Engine

CHEROKEE (XJ)

SERIES	LINE	BODY	ENGINE	TRANSMISSION
L = LOWLINE	B = JEEP - 2WD (RHD) U = JEEP - 4WD (RHD) T = LHD - (2WD) J = JEEP - - LHD (4WD)	72 = 2DR (101.4 WB) 74 = 4 DR (101.4 WB)	ENC = 2.5L 4 Cyl Turbo Diesel Engine EPE = Engine - 2.5L Power Tech I-4 Cyl. ERH = 4.0L Power Tech I-6 Engine ENO = Engines - ALL 4/5 CYL Turbo Diesel ERO = Engines - All 4.0L 6 Cyl Gas EP0 = ENGINES - ALL 2.5L 4 CYL GAS	DCB = Transmission - 4-Speed Manual,T3340 DDQ = 5-Speed Manual Transmission DDX = 5-Speed HD Manual Transmission DGD = 3-Spd. Automatic 30RH Transmission DGK = 4-Spd. Automatic 42RE Transmission DGS = 4-Speed Automatic AW4 Transmission DGT = 4-Spd. Automatic 46RE Transmission DGW = TRANSMISSION - 4-SPD. AUTOMATIC,44RE DGX = 4-Speed Automatic Transmission DGY = No Description Available DGZ = Transmission- 4-Spd. Automatic,MT643 DBB = ALL MANUAL TRANSMISSIONS DGO = TRANSMISSIONS - ALL AUTOMATIC

AR = use ase required - = Non illustrated part

1998 XJ

Group - 08A

Instrument Panel and Radios and Consoles

Group - 08A Instrument Panel and Radios and Consoles

Group-Fig. No.

Illustration Title

Instrument Panel

Pad & Bezel (LHD)	Fig. 08A - 120
Pad & Bezels (RHD)	Fig. 08A - 122

Instrument Panel Cluster

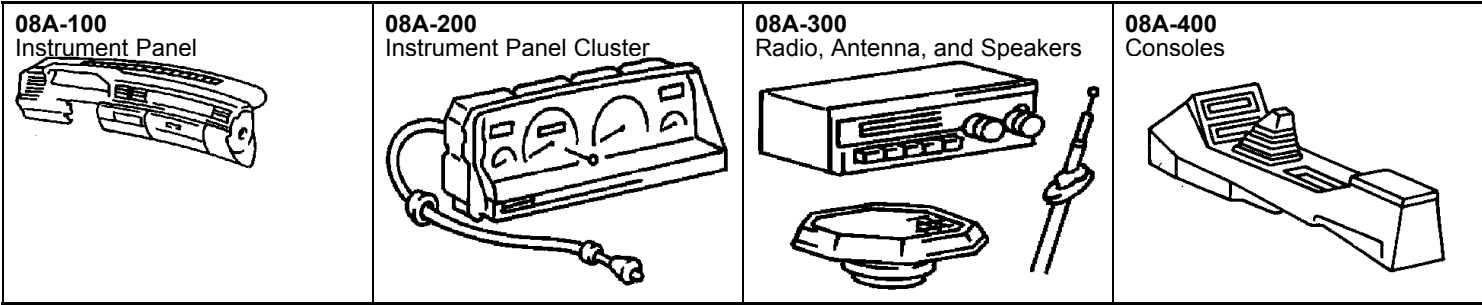
Cluster	Fig. 08A - 220
---------------	----------------

Radio, Antenna, and Speakers

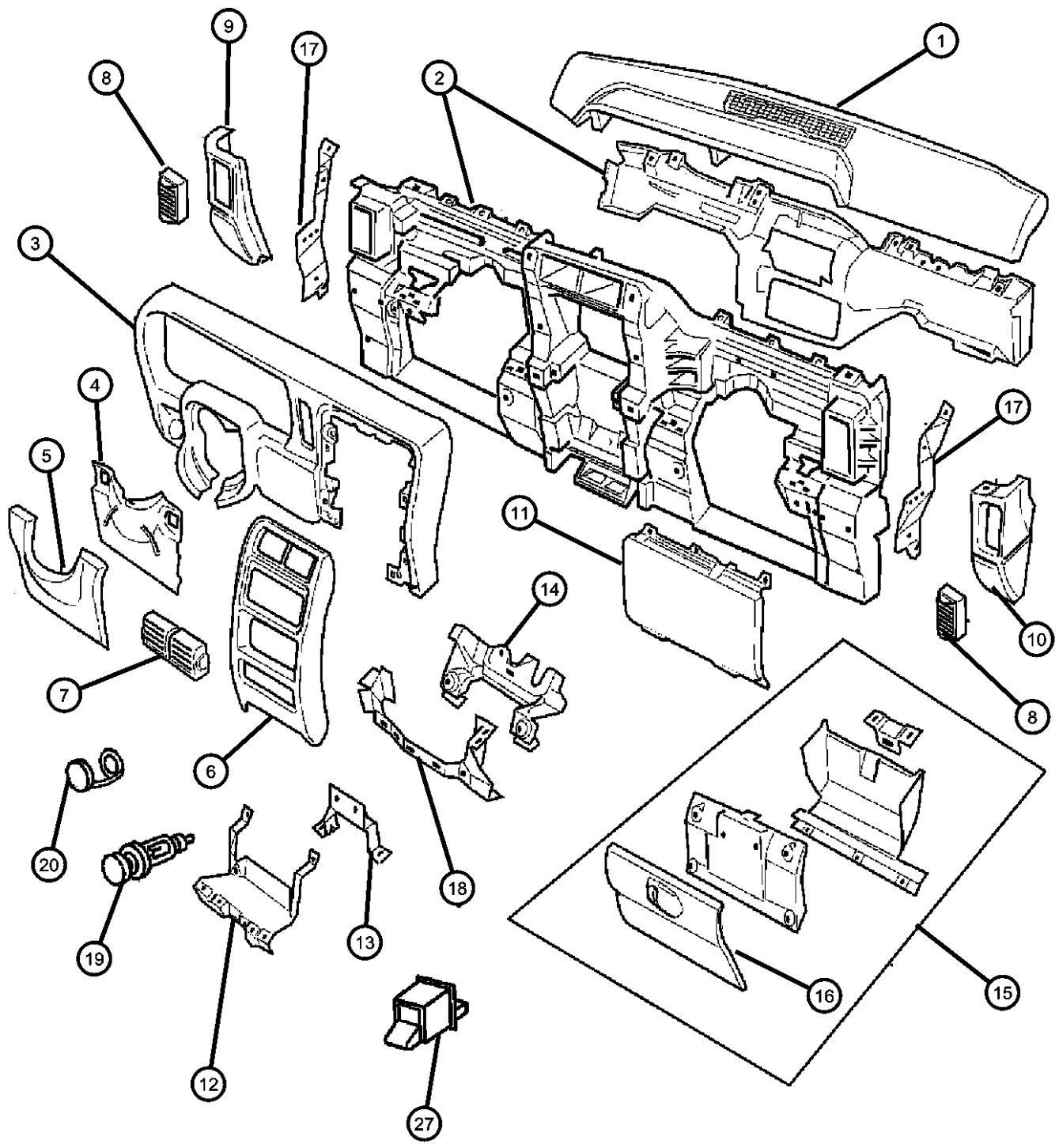
Radio	Fig. 08A - 310
Speakers	Fig. 08A - 320
Antenna	Fig. 08A - 330

Consoles

Floor Console	Fig. 08A - 420
Overhead Console	Fig. 08A - 450



Pad & Bezel (LHD)
Figure 08A-120



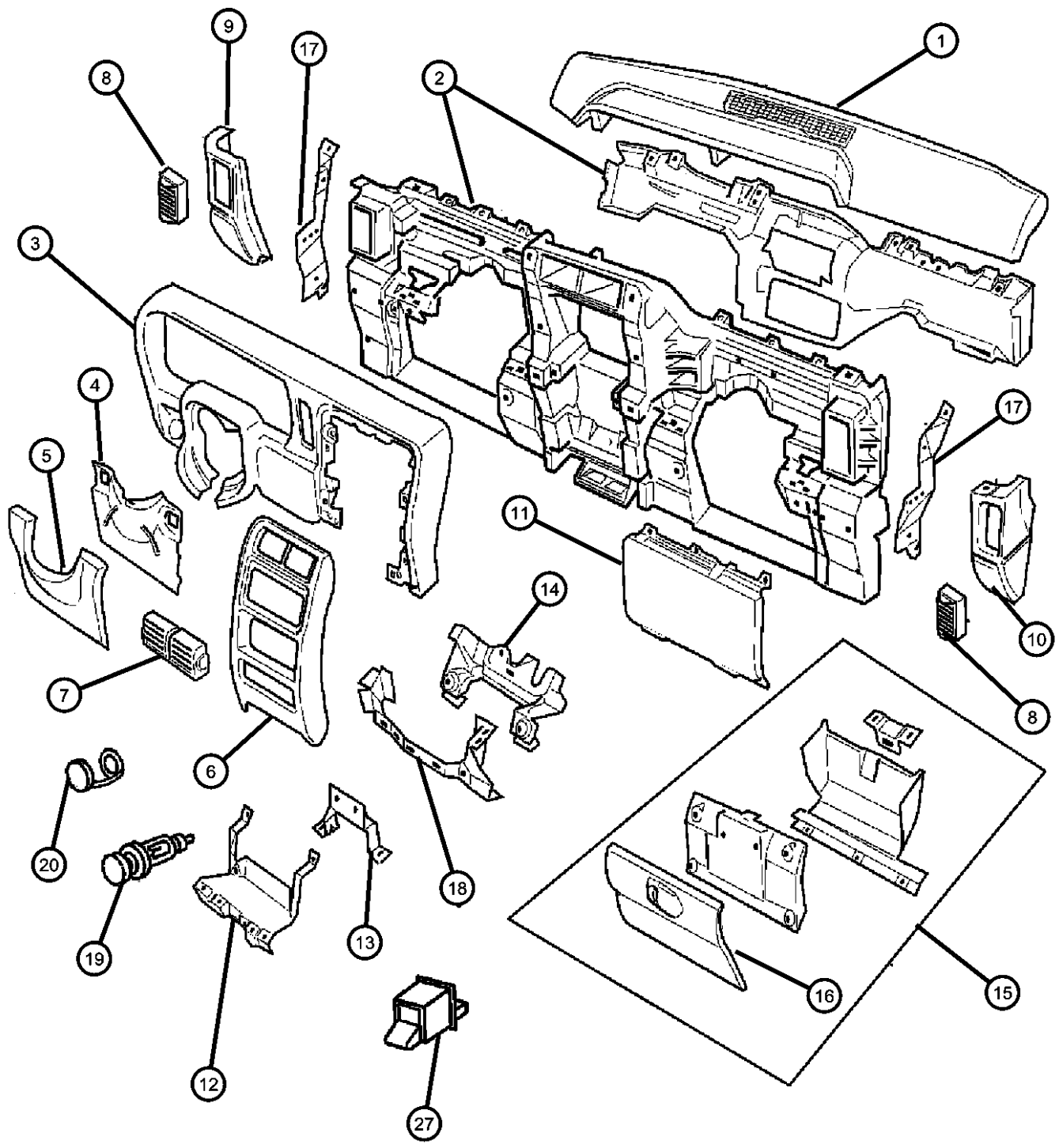
ITEM	PART NUMBER	QTY	LINE	SERIES	BODY	ENGINE	TRANS	TRIM	DESCRIPTION
1	5EB78LAZAB	1	J, T						COVER, Instrument Panel
2	04897067AA	1	J, T						PANEL, Instrument Panel
3									BEZEL, Instrument Cluster
	5EJ84LAZAB	1	J, T						
	5ER60LAZAB	1	J, T						Diesel
4	55115525	1							LINER, Steering Column Cover
5									COVER, Steering Column
	5EJ92RC3	1							Gray
	5EJ92RT6	1							Spice/Saddle
6	5EB69LAZAC	1							BEZEL, Instrument Panel, Center
7									OUTLET, Air Conditioning & Heater
	5DP54TAZ	1	J, T						Right
	5DP55TAZ	1	J, T						Left
	5FS10LAZAB	2							Center
8									OUTLET, Air Conditioning & Heater
	5DP54TAZ	1	J, T						Right
	5DP55TAZ	1	J, T						Left
	5FS10LAZAB	2							Center
9									CAP, Instrument Panel End
	5EB761C3AC	1	B, U						Mist Gray
		1	J, T						Mist Gray
	5EB761T6AC	1	J, T						Spice/Saddle
		1	B, U						Spice/Saddle

CHEROKEE (XJ)

SERIES	LINE	BODY	ENGINE	TRANSMISSION
L = LOWLINE	B = JEEP - 2WD (RHD) U = JEEP - 4WD (RHD) T = LHD - (2WD) J = JEEP - - LHD (4WD)	72 = 2DR (101.4 WB) 74 = 4 DR (101.4 WB)	ENC = 2.5L 4 Cyl Turbo Diesel Engine EPE = Engine - 2.5L Power Tech I-4 Cyl. ERH = 4.0L Power Tech I-6 Engine ENO = Engines - ALL 4/5 CYL Turbo Diesel ERO = Engines - All 4.0L 6 Cyl Gas EPO = ENGINES - ALL 2.5L 4 CYL GAS	DCB = Transmission - 4-Speed Manual,T3340 DDQ = 5-Speed Manual Transmission DDX = 5-Speed HD Manual Transmission DGD = 3-Spd. Automatic 30RH Transmission DGK = 4-Spd. Automatic 42RE Transmission DGS = 4-Speed Automatic AW4 Transmission DGT = 4-Spd. Automatic 46RE Transmission DGW = TRANSMISSION - 4-SPD. AUTOMATIC,44RE DGX = 4-Speed Automatic Transmission DGY = No Description Available DGZ = Transmission- 4-Spd. Automatic,MT643 DBB = ALL MANUAL TRANSMISSIONS DGO = TRANSMISSIONS - ALL AUTOMATIC

AR = use ase required - = Non illustrated part

Pad & Bezel (LHD)
Figure 08A-120



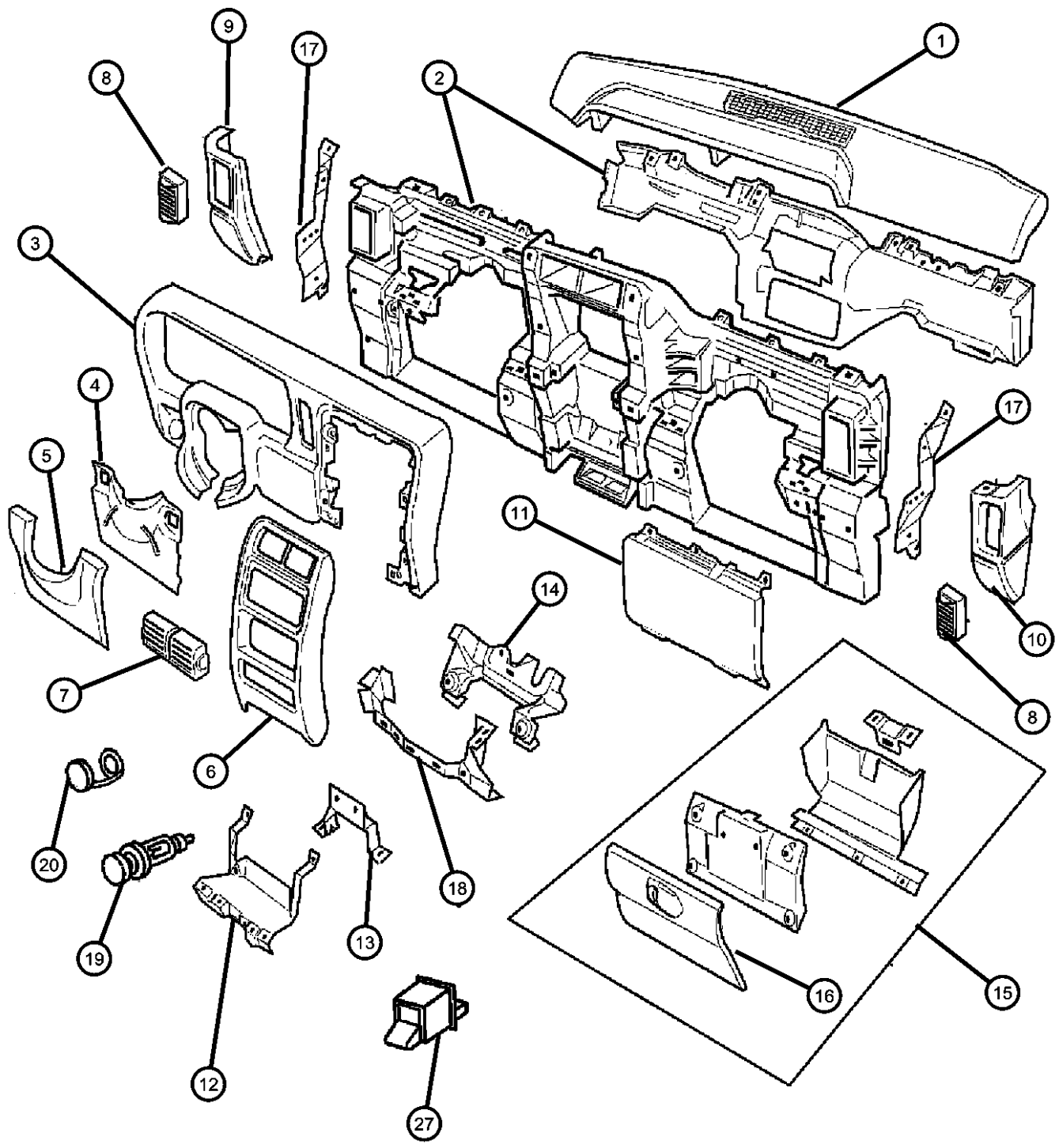
ITEM	PART NUMBER	QTY	LINE	SERIES	BODY	ENGINE	TRANS	TRIM	DESCRIPTION
10	5EB771C3AB	1	B, U						CAP, Instrument Panel End Mist Gray
		1	J, T						Mist Gray
	5EB771T6AC	1	B, U						Spice/Saddle
		1	J, T						Spice/Saddle
11	5GE02LAZAA	1	J, T						AIR BAG, Passenger
12	55115467AB	1	J, T						BRACKET, Air Bag
13	55115489	1							BRACKET, Instrument Panel
14	55115561	1	J, T						BRACKET, Instrument Cluster
15									GLOVE BOX, Instrument Panel
	5EB70RC3	1	J, T						Gray
	5EB70RT6	1	J, T						Spice/Saddle
16	5EB70RT6	1							DOOR, Glove Box, (NOT REQUIRED),
17	5EB70RT6	1							SUPPORT, Instrument Panel, (NOT REQUIRED)
18	5EB70RT6	1							REINFORCEMENT, Instrument Panel, (NOT REQUIRED)
19	04685370	1							KNOB AND ELEMENT, Cigar Lighter
20	04685370	1							POWER OUTLET, Cigar Lighter, (NOT REQUIRED)
-21	04685370	1							BASE, Cigar Lighter, (NOT REQUIRED)
-22									LABEL, Air Bag Warning
	04595746AA	1							Removable Dash Warning

CHEROKEE (XJ)

SERIES	LINE	BODY	ENGINE	TRANSMISSION
L = LOWLINE	B = JEEP - 2WD (RHD) U = JEEP - 4WD (RHD) T = LHD - (2WD) J = JEEP - - LHD (4WD)	72 = 2DR (101.4 WB) 74 = 4 DR (101.4 WB)	ENC = 2.5L 4 Cyl Turbo Diesel EPE = Engine - 2.5L Power Tech I-4 Cyl. ERH = 4.0L Power Tech I-6 Engine ENO = Engines - ALL 4/5 CYL Turbo Diesel ERO = Engines - All 4.0L 6 Cyl Gas EPO = ENGINES - ALL 2.5L 4 CYL GAS	DCB = Transmission - 4-Speed Manual,T3340 DDQ = 5-Speed Manual Transmission DDX = 5-Speed HD Manual Transmission DGD = 3-Spd. Automatic 30RH Transmission DGK = 4-Spd. Automatic 42RE Transmission DGS = 4-Speed Automatic AW4 Transmission DGT = 4-Spd. Automatic 46RE Transmission DGW = TRANSMISSION - 4-SPD. AUTOMATIC,44RE DGX = 4-Speed Automatic Transmission DGY = No Description Available DGZ = Transmission- 4-Spd. Automatic,MT643 DBB = ALL MANUAL TRANSMISSIONS DGO = TRANSMISSIONS - ALL AUTOMATIC

AR = use ase required - = Non illustrated part

Pad & Bezel (LHD)
Figure 08A-120



ITEM	PART NUMBER	QTY	LINE	SERIES	BODY	ENGINE	TRANS	TRIM	DESCRIPTION
	04595748AA	1							End Cap Warning, Right
	04595749AA	1							Bi-Lingual Removable Dahh Warning
	04787437AA	2	J, T						Visor English/French (5 Point)
	05265949	1	J, T						I/Panel Airbag Warning
-23									BUMPER, Glove Box Door
	04524343	2							Glove Box Catch
	55037414AA	2	J, T						Glove Box Door Stop
-24	5EB72LAZ	1	J, T						DOOR, Passenger Air Bag, Agate, Cover Panel without Air Bag
-25	06034833	2	J, T						CLIP, Push, .164-7.5
-26	06034833	2							CAP, Cigar Lighter, (NOT REQUIRED)
27									BEZEL, Switch
	04897501AF	1							w/Rear Wiper & Washer
	04897502AF	1							w/Dual Road Foglamp/Heated Backlite & Rear Wiper/Washer
		1							w/Rear Wiper Washer/heated Backlite & Police Package
		1	J, U						w/Heated Backlite/Rear Foglamp & Rear Wjpper/Washer
	04897503AF	1							w/Heated Backlite/Rear Wiper/Washer
	04897504AF	1	J, U						w/Rear Foglamp

CHEROKEE (XJ)

SERIES	LINE	BODY	ENGINE	TRANSMISSION
L = LOWLINE	B = JEEP - 2WD (RHD) U = JEEP - 4WD (RHD) T = LHD - (2WD) J = JEEP - - LHD (4WD)	72 = 2DR (101.4 WB) 74 = 4 DR (101.4 WB)	ENC = 2.5L 4 Cyl Turbo Diesel Engine EPE = Engine - 2.5L Power Tech I-4 Cyl. ERH = 4.0L Power Tech I-6 Engine ENO = Engines - ALL 4/5 CYL Turbo Diesel ERO = Engines - All 4.0L 6 Cyl Gas EPO = ENGINES - ALL 2.5L 4 CYL GAS	DCB = Transmission - 4-Speed Manual,T3340 DDQ = 5-Speed Manual Transmission DDX = 5-Speed HD Manual Transmission DGD = 3-Spd. Automatic 30RH Transmission DGK = 4-Spd. Automatic 42RE Transmission DGS = 4-Speed Automatic AW4 Transmission DGT = 4-Spd. Automatic 46RE Transmission DGW = TRANSMISSION - 4-SPD. AUTOMATIC,44RE DGX = 4-Speed Automatic Transmission DGY = No Description Available DGZ = Transmission- 4-Spd. Automatic,MT643 DBB = ALL MANUAL TRANSMISSIONS DGO = TRANSMISSIONS - ALL AUTOMATIC

AR = use ase required - = Non illustrated part

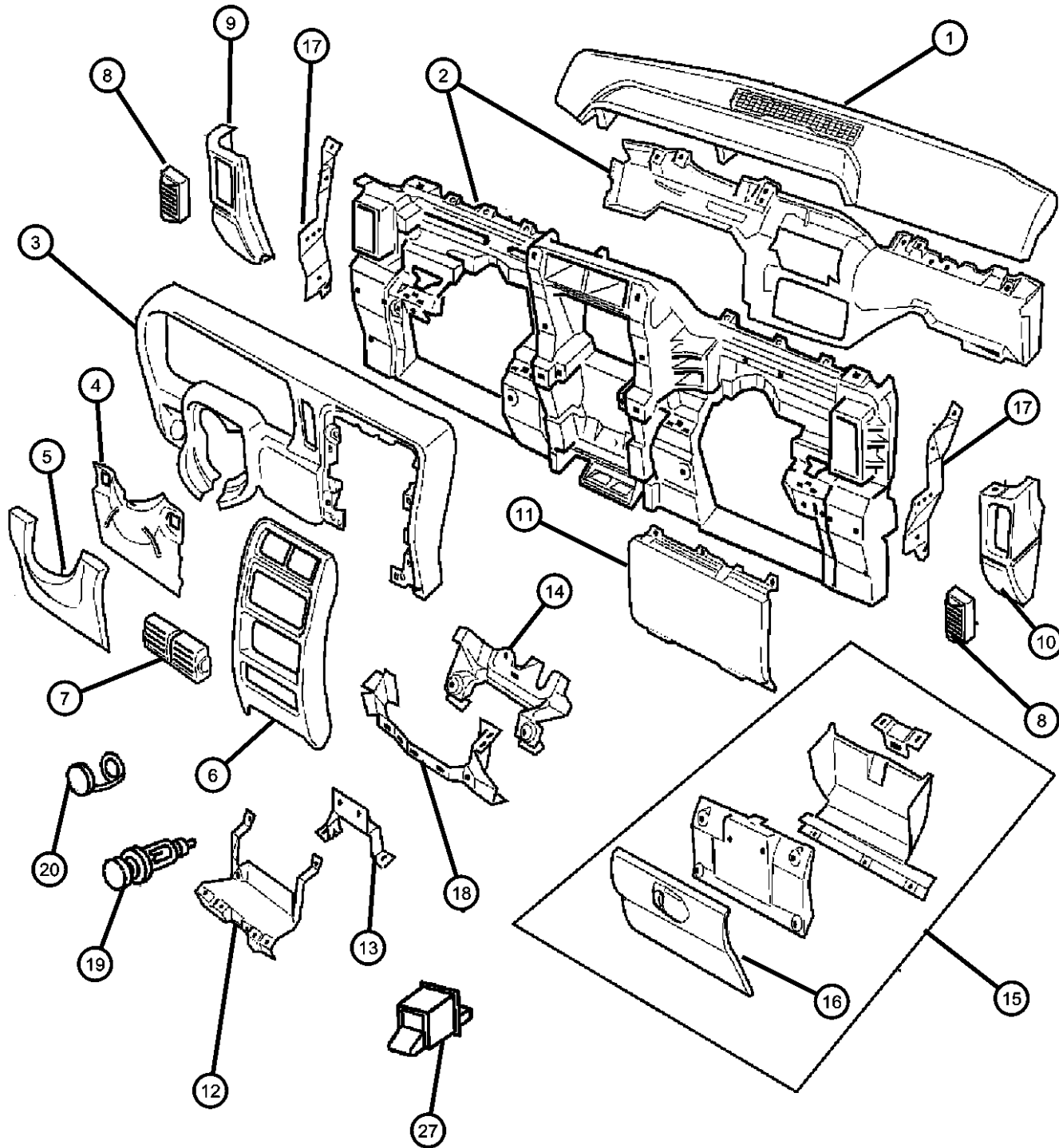
Pad & Bezel (LHD)
Figure 08A-120

ITEM	PART NUMBER	QTY	LINE	SERIES	BODY	ENGINE	TRANS	TRIM	DESCRIPTION
------	-------------	-----	------	--------	------	--------	-------	------	-------------

04897505AF 1 J, U

56007445AF 1

w/Rear Foglamp/Heated Backlite/Rear Wiper Washer & Dual Road Foglamp (w/4 Switches)
Blank w/o Switch



CHEROKEE (XJ)

SERIES LINE
L = LOWLINE B = JEEP - 2WD (RHD)
U = JEEP - 4WD (RHD)
T = LHD - (2WD)
J = JEEP - - LHD (4WD)

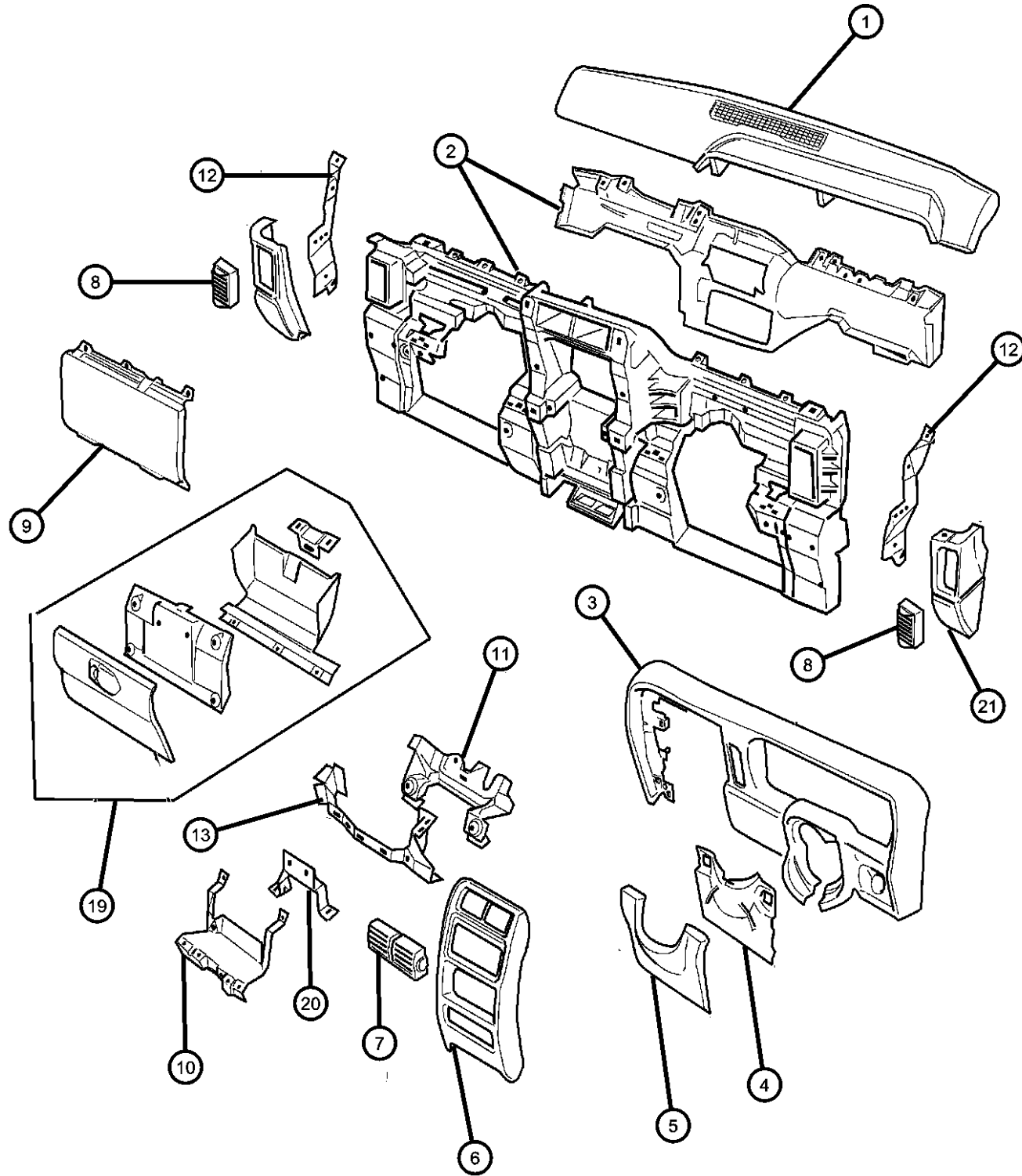
BODY
72 = 2DR (101.4 WB)
74 = 4 DR (101.4 WB)

ENGINE TRANSMISSION
ENC = 2.5L 4 Cyl Turbo Diesel Engine DCB = Transmission - 4-Speed Manual,T3340
EPE = Engine - 2.5L Power Tech I-4 Cyl. DDQ = 5-Speed Manual Transmission
ERH = 4.0L Power Tech I-6 Engine DDX = 5-Speed HD Manual Transmission
ENO = Engines - ALL 4/5 CYL Turbo Diesel DGD = 3-Spd. Automatic 30RH Transmission
ERO = Engines - All 4.0L 6 Cyl Gas DGK = 4-Spd. Automatic 42RE Transmission
EPO = ENGINES - ALL 2.5L 4 CYL GAS DGS = 4-Speed Automatic AW4 Transmission
DGT = 4-Spd. Automatic 46RE Transmission
DGW = TRANSMISSION - 4-SPD. AUTOMATIC,44RE
DGX = 4-Speed Automatic Transmission
DGY = No Description Available
DGZ = Transmission- 4-Spd. Automatic,MT643
DBB = ALL MANUAL TRANSMISSIONS
DGO = TRANSMISSIONS - ALL AUTOMATIC

AR = use ase required - = Non illustrated part

1998 XJ

Pad & Bezels (RHD)
Figure 08A-122



ITEM	PART NUMBER	QTY	LINE	SERIES	BODY	ENGINE	TRANS	TRIM	DESCRIPTION
1	5EB71LAZAB	1	B, U						COVER, Instrument Panel
2	04897066AA	1	B, U						PANEL, Instrument Panel
3	5EJ85LAZAB	1	B, U						BEZEL, Instrument Cluster 2.5L & 4.0L Engines
	5ER59LAZAB	1	B, U						Diesel Engine
4	55037411AA	1							LINER, Steering Column Cover
5	5EJ92RC3	1							COVER, Steering Column Gray
	5EJ92RT6	1							Spice/Saddle
6	5EB69LAZAC	1							BEZEL, Instrument Panel, Center Agate w/Black Trim
	5EN00LAZAC	1							Agate w/Woodgrain Trim
7	5FS10LAZAB	2							OUTLET, Air Conditioning & Heater, Agate, Center
8	5DP54TAZ	1	B, U						OUTLET, Air Conditioning & Heater Agate w/Woodgrain Trim, Right
	5DP55TAZ	1	B, U						Agate w/Woodgrain Trim, Left
9	5GE03LAZAA	1	B, U						AIR BAG, Passenger, Agate
10	55115466	1	B, U						BRACKET, Air Bag
11	55115561	1	B, U						BRACKET, Instrument Cluster
12	55037194AB	1	B, U						SUPPORT, Instrument Panel Right
	55037195AB	1	B, U						Left

CHEROKEE (XJ)

SERIES LINE
L = LOWLINE B = JEEP - 2WD (RHD)
 U = JEEP - 4WD (RHD)
 T = LHD - (2WD)
 J = JEEP - - LHD (4WD)

BODY
72 = 2DR (101.4 WB)
74 = 4 DR (101.4 WB)

ENGINE TRANSMISSION
ENC = 2.5L 4 Cyl Turbo Diesel Engine
EPE = Engine - 2.5L Power Tech I-4 Cyl.
ERH = 4.0L Power Tech I-6 Engine
ENO = Engines - ALL 4/5 CYL Turbo Diesel
ERO = Engines - All 4.0L 6 Cyl Gas
EPO = ENGINES - ALL 2.5L 4 CYL GAS

DCB = Transmission - 4-Speed Manual,T3340
DDQ = 5-Speed Manual Transmission
DDX = 5-Speed HD Manual Transmission
DGD = 3-Spd. Automatic 30RH Transmission
DGK = 4-Spd. Automatic 42RE Transmission
DGS = 4-Speed Automatic AW4 Transmission
DGT = 4-Spd. Automatic 46RE Transmission
DGW = TRANSMISSION - 4-SPD. AUTOMATIC,44RE
DGX = 4-Speed Automatic Transmission
DGY = No Description Available
DGZ = Transmission- 4-Spd. Automatic,MT643
DBB = ALL MANUAL TRANSMISSIONS
DGO = TRANSMISSIONS - ALL AUTOMATIC

AR = use ase required - = Non illustrated part

Cluster
Figure 08A-220

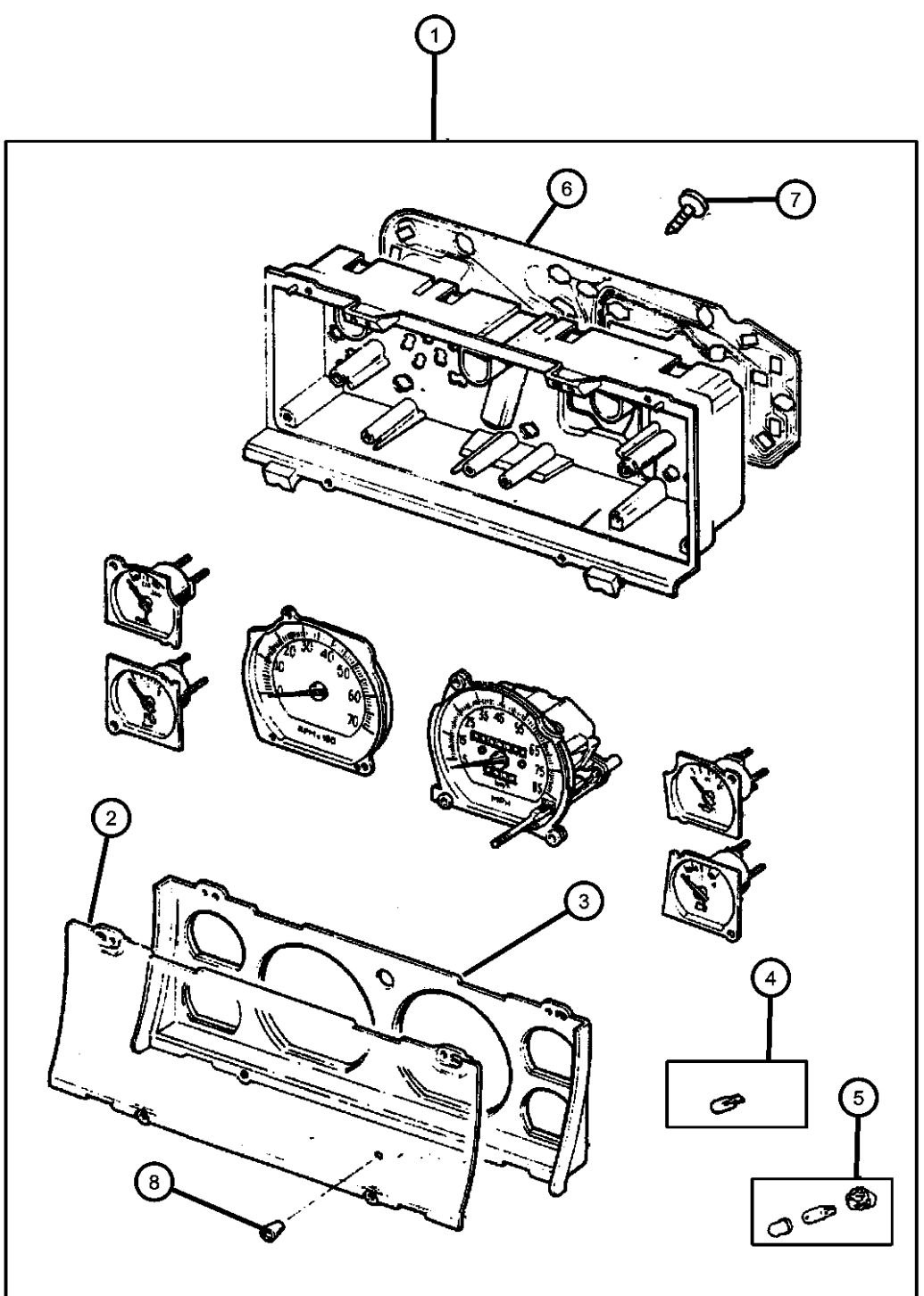
ITEM	PART NUMBER	QTY	LINE	SERIES	BODY	ENGINE	TRANS	TRIM	DESCRIPTION
1	56009726AC	1							CLUSTER, With Chime Module
	56009727AC	1							LHD 2.5L & 4.0L W/Miles w/o Tach (Lowline)
	56009728AC	1							2.5L & 4.0L W/100 Miles w/Tach
	56009729AC	1							LHD/RHD 2.5L & 4.0L w/Kilo w/o Tach (Lowline)
	56009730AC	1							LHD/RHD 2.5L & 4.0L w/Kilo (High Line)
	56009731AC	1	B, U						LHD/RHD-Diesel w/200 Kilo Primary
	56009732AC	1	B, U						RHD 2.5L & 4.0L w/Miles w/Tach (High Line)
	56009733AC	1	B, U						RHD-Diesel w/120/125 Miles
	56009734AC	1	B, U						RHD 2.5L & 4.0L w/Kilo w/Tach (High Line)
	56009735AC	1	J, T						RHD-Diesel w/200 Kilo w/o Secondary
	56009736AC	1	J, T						120 MPH Police
	56009736AC	1	J, T						210 KPH Police
2	04874345	1							LENS, Cluster
3	04874344	1							MASK, Instrument Cluster
4	L000PC74	1	J, T						BULB, PC74
		1	B, U						
5	04874349	5							BULB AND SOCKET
6	04874348	1							COVER, Cluster

CHEROKEE (XJ)

SERIES LINE
 L = LOWLINE B = JEEP - 2WD (RHD)
 U = JEEP - 4WD (RHD)
 T = LHD - (2WD)
 J = JEEP - - LHD (4WD)

BODY
 72 = 2DR (101.4 WB)
 74 = 4 DR (101.4 WB)

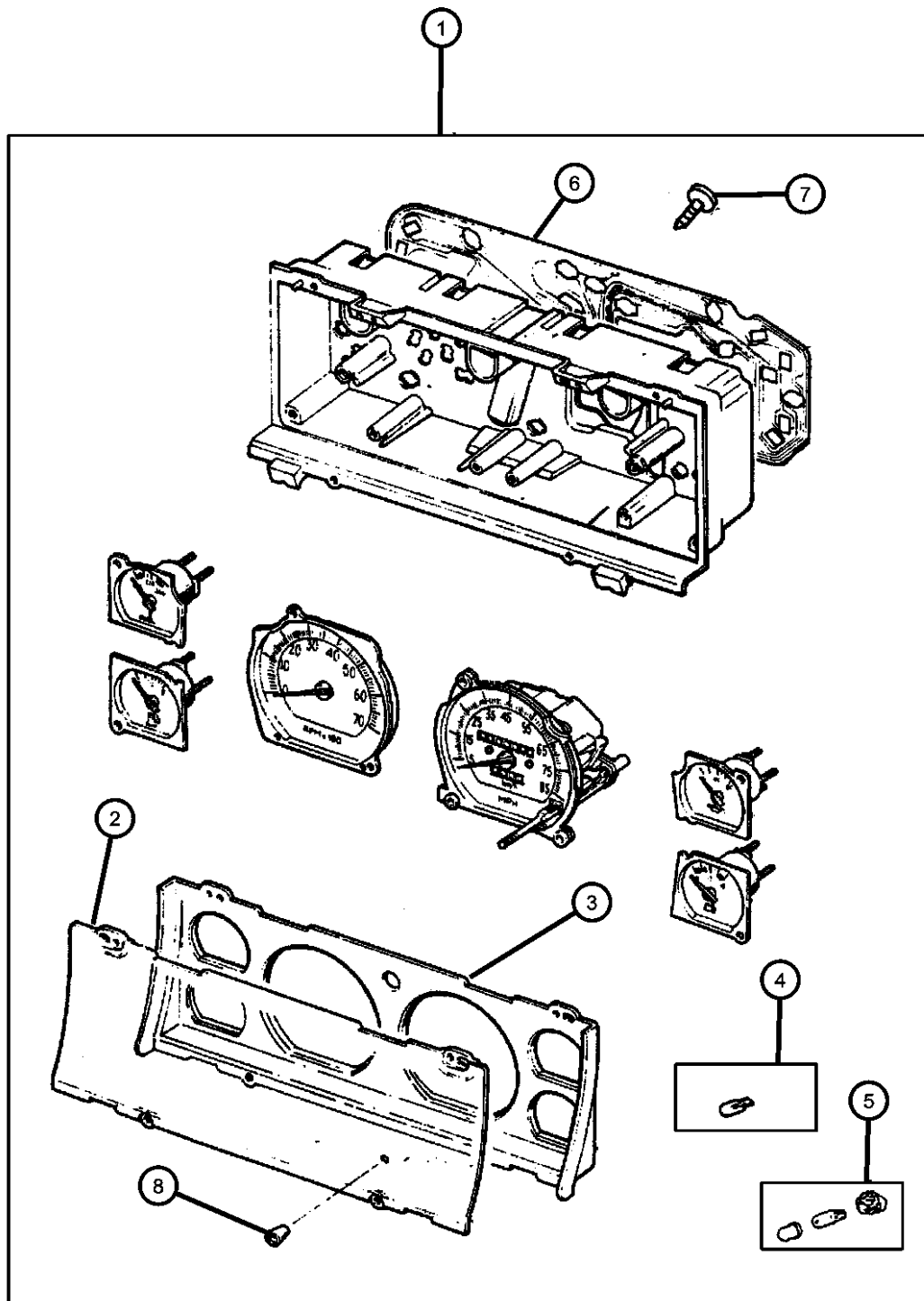
ENGINE TRANSMISSION
 ENC = 2.5L 4 Cyl Turbo Diesel Engine DCB = Transmission - 4-Speed Manual,T3340
 EPE = Engine - 2.5L Power Tech I-4 Cyl. DDQ = 5-Speed Manual Transmission
 ERH = 4.0L Power Tech I-6 Engine DDG = 5-Speed HD Manual Transmission
 ENO = Engines - ALL 4/5 CYL Turbo Diesel DGD = 3-Spd. Automatic 30RH Transmission
 ERO = Engines - All 4.0L 6 Cyl Gas DGK = 4-Spd. Automatic 42RE Transmission
 EPO = ENGINES - ALL 2.5L 4 CYL GAS DGS = 4-Speed Automatic AW4 Transmission
 DGT = 4-Spd. Automatic 46RE Transmission
 DGW = TRANSMISSION - 4-SPD. AUTOMATIC,44RE
 DGX = 4-Speed Automatic Transmission
 DGY = No Description Available
 DGZ = Transmission- 4-Spd. Automatic,MT643
 DBB = ALL MANUAL TRANSMISSIONS
 DGO = TRANSMISSIONS - ALL AUTOMATIC



AR = use ase required - = Non illustrated part

Cluster
Figure 08A-220

ITEM	PART NUMBER	QTY	LINE	SERIES	BODY	ENGINE	TRANS	TRIM	DESCRIPTION
7	06032723	6							SCREW, Self Tapping, M4.2x1.69x19.05
8	04874346	1							GROMMET, Speedometer Trip Reset
-9	04874346	1							BOARD, Circuit, Serviced w/Item # 1, (NOT SERVICED)
-10									INDICATOR
	56009613	1	J, T						Tele Tale Module Low Fuel/Water in Fuel Warning, Left Hand Drive, Diesel, Export
	56009639	1	B, U						Tele Tale Module Low Fuel/Water in Fuel Warning, Right Hand Drive, Diesel, Export



CHEROKEE (XJ)

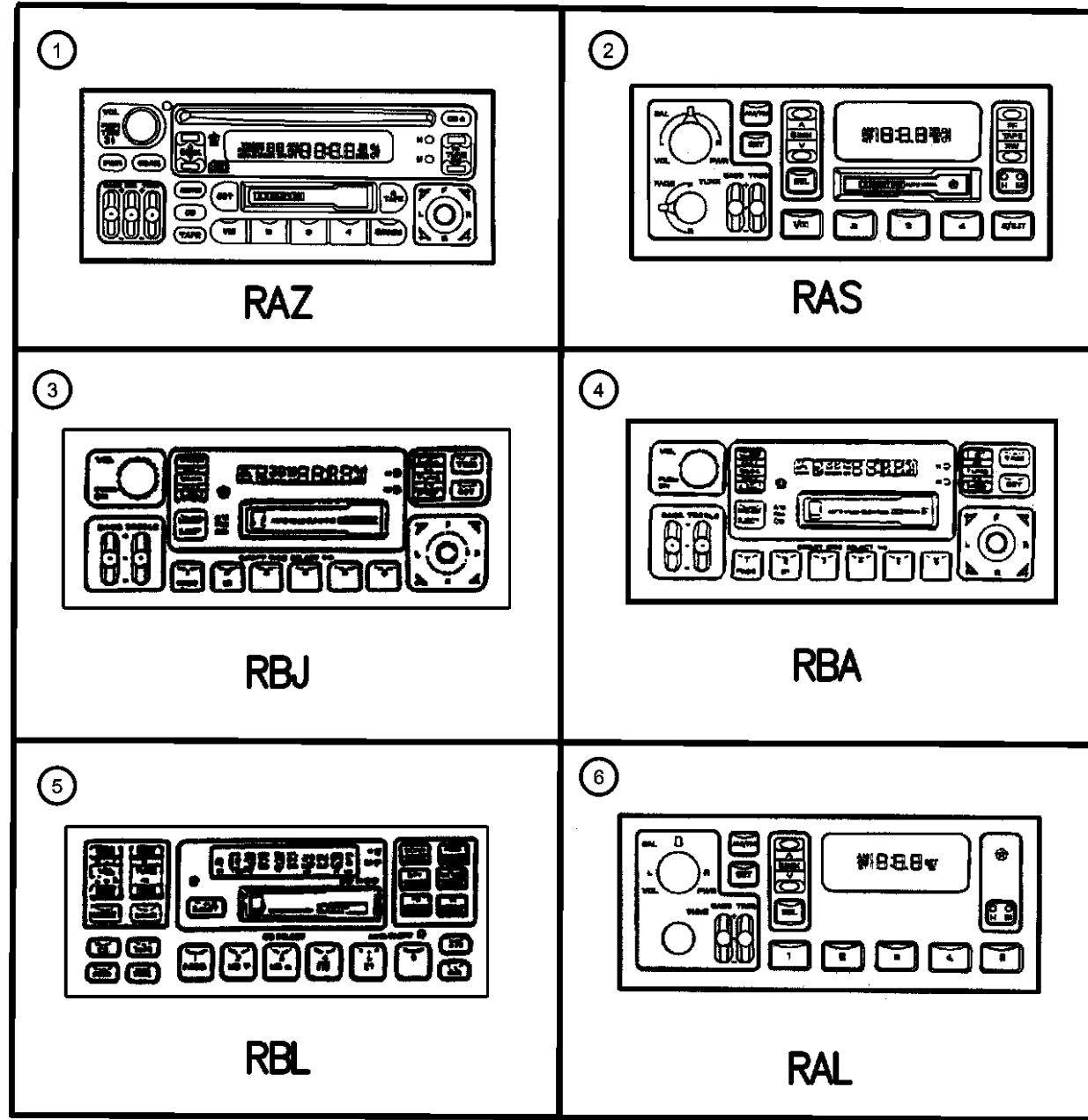
SERIES LINE
 L = LOWLINE B = JEEP - 2WD (RHD)
 U = JEEP - 4WD (RHD)
 T = LHD - (2WD)
 J = JEEP - - LHD (4WD)

BODY
 72 = 2DR (101.4 WB)
 74 = 4 DR (101.4 WB)

ENGINE TRANSMISSION
 ENC = 2.5L 4 Cyl Turbo Diesel Engine DCB = Transmission - 4-Speed Manual,T3340
 EPE = Engine - 2.5L Power Tech I-4 Cyl. DDQ = 5-Speed Manual Transmission
 ERH = 4.0L Power Tech I-6 Engine DDX = 5-Speed HD Manual Transmission
 ENO = Engines - ALL 4/5 CYL Turbo Diesel DGD = 3-Spd. Automatic 30RH Transmission
 ERO = Engines - All 4.0L 6 Cyl Gas DGK = 4-Spd. Automatic 42RE Transmission
 EPO = ENGINES - ALL 2.5L 4 CYL GAS DGS = 4-Speed Automatic AW4 Transmission
 DGT = 4-Spd. Automatic 46RE Transmission
 DGW = TRANSMISSION - 4-SPD. AUTOMATIC,44RE
 DGX = 4-Speed Automatic Transmission
 DGY = No Description Available
 DGZ = Transmission- 4-Spd. Automatic,MT643
 DBB = ALL MANUAL TRANSMISSIONS
 DGO = TRANSMISSIONS - ALL AUTOMATIC

AR = use ase required - = Non illustrated part

Radio
Figure 08A-310



ITEM	PART NUMBER	QTY	LINE	SERIES	BODY	ENGINE	TRANS	TRIM	DESCRIPTION
------	-------------	-----	------	--------	------	--------	-------	------	-------------

RAL=AM/FM Stereo
RAS=AM/FM Cassette
RAZ=AM/FM w/Cassette & CD
RBA=AM/FM w/Cassette & CD Changer Control (Argentina, Brazil, Paraguay & Uruguay)
RBJ=Midline AM/FM w/Cassette & CD Changer Control (Japan)
RBL=AM/FM/MW/RDS Cassette & CD Changer Control

1	04704383AD	1							RADIO, AM/FM with CD and Cassette, (RAZ)
2	04858556	1							RADIO, AM/FM Cassette [RAS,RCR]
	04858556AB	1							[RAS,RCD]
3	04704393AC	1							RADIO, AM/FM with CD, (RBJ)
4	04704392AC	1							RADIO, AM/FM with CD, (RBA)
5	05269484	1							RADIO, (RBL)
6	04858562AD	1							RADIO, AM/FM Stereo, (RAL)
-7	56007653AC	1							AMPLIFIER, Radio

CHEROKEE (XJ)

SERIES LINE
L = LOWLINE B = JEEP - 2WD (RHD)
U = JEEP - 4WD (RHD)
T = LHD - (2WD)
J = JEEP - - LHD (4WD)

BODY
72 = 2DR (101.4 WB)
74 = 4 DR (101.4 WB)

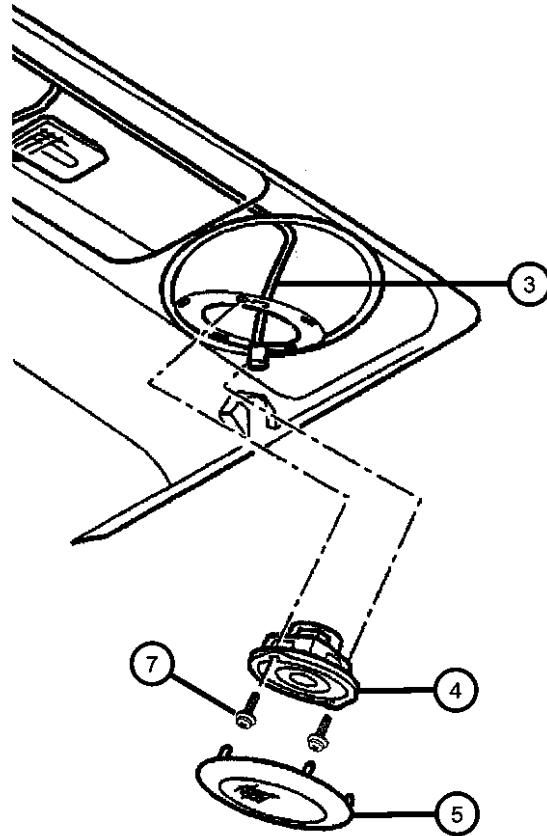
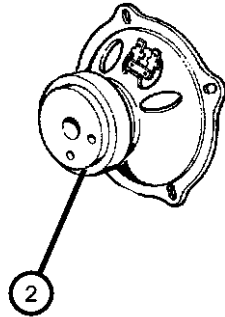
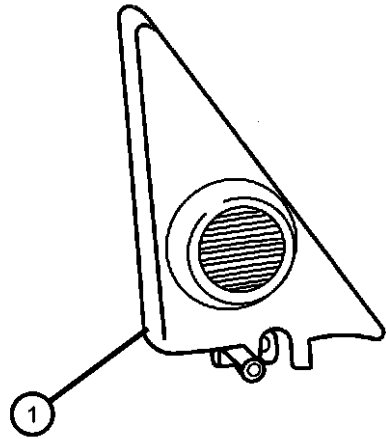
ENGINE TRANSMISSION
ENC = 2.5L 4 Cyl Turbo Diesel Engine
EPE = Engine - 2.5L Power Tech I-4 Cyl.
ERH = 4.0L Power Tech I-6 Engine
ENO = Engines - ALL 4/5 CYL Turbo Diesel
ERO = Engines - All 4.0L 6 Cyl Gas
EPO = ENGINES - ALL 2.5L 4 CYL GAS

DCB = Transmission - 4-Speed Manual,T3340
DDQ = 5-Speed Manual Transmission
DDX = 5-Speed HD Manual Transmission
DGD = 3-Spd. Automatic 30RH Transmission
DGK = 4-Spd. Automatic 42RE Transmission
DGS = 4-Speed Automatic AW4 Transmission
DGT = 4-Spd. Automatic 46RE Transmission
DGW = TRANSMISSION - 4-SPD. AUTOMATIC,44RE
DGX = 4-Speed Automatic Transmission
DGY = No Description Available
DGZ = Transmission- 4-Spd. Automatic,MT643
DBB = ALL MANUAL TRANSMISSIONS
DGO = TRANSMISSIONS - ALL AUTOMATIC

AR = use ase required - = Non illustrated part

1998 XJ

**Speakers
Figure 08A-320**



ITEM	PART NUMBER	QTY	LINE	SERIES	BODY	ENGINE	TRANS	TRIM	DESCRIPTION
------	-------------	-----	------	--------	------	--------	-------	------	-------------

RCB=Two Speaker System
RCD=Four Speaker System
RCG=Six Premium Speaker System (Infinity)
RCR=Four Speaker System

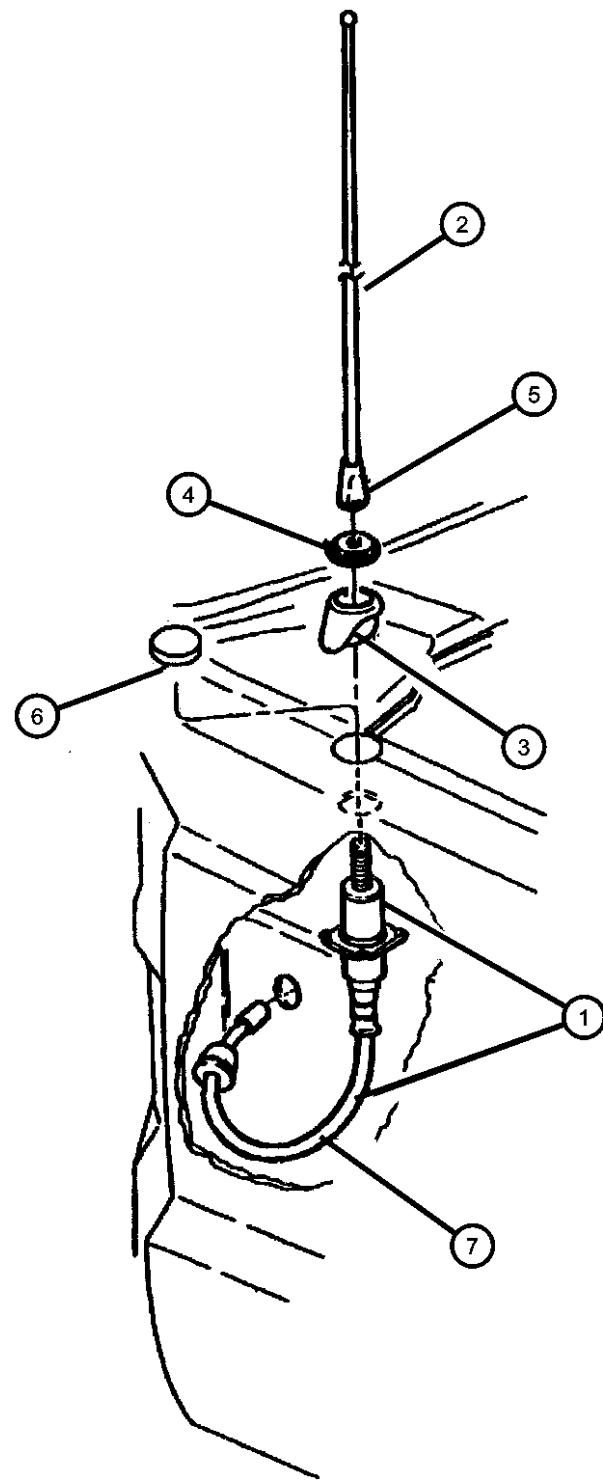
1									COVER, Mirror Opening
	5FM02RC3AB	1							[C3] with 2 or 4 Speaker System, Right
	5FM02RT6AB	1							[T6] with 2 or 4 Speaker System, Right
	5FM03RC3AB	1							[C3] with 2 or 4 Speaker System, Left
	5FM03RT6AB	1							[T6] with 2 or 4 Speaker System, Left
	5FV14RC3AB	1							[C3] with 6 Speaker System (with Tweeter), Right
	5FV14RT6AB	1							[T6] with 6 Speaker System (with Tweeter), Right
	5FV15RC3AB	1							[C3] with 2 or 4 Speaker System (with Tweeter), Left
	5FV15RT6AB	1							[T6] with 6 Speaker System (with Tweeter), Left
2									SPEAKER, Door
	56008750AC	2							[RCG]
	56008751AC	2							[RCB]=[RCD]=[RCR]
3	56009936AA	1							WIRING, Headliner
4									SPEAKER, Sound Bar
	56008754	1							[RCD,RCR]
	56008756	1							[RCG]

CHEROKEE (XJ)

SERIES	LINE	BODY	ENGINE	TRANSMISSION
L = LOWLINE	B = JEEP - 2WD (RHD) U = JEEP - 4WD (RHD) T = LHD - (2WD) J = JEEP - - LHD (4WD)	72 = 2DR (101.4 WB) 74 = 4 DR (101.4 WB)	ENC = 2.5L 4 Cyl Turbo Diesel Engine EPE = Engine - 2.5L Power Tech I-4 Cyl. ERH = 4.0L Power Tech I-6 Engine ENO = Engines - ALL 4/5 CYL Turbo Diesel ERO = Engines - All 4.0L 6 Cyl Gas EPO = ENGINES - ALL 2.5L 4 CYL GAS	DCB = Transmission - 4-Speed Manual,T3340 DDQ = 5-Speed Manual Transmission DDX = 5-Speed HD Manual Transmission DGD = 3-Spd. Automatic 30RH Transmission DGK = 4-Spd. Automatic 42RE Transmission DGS = 4-Speed Automatic AW4 Transmission DGT = 4-Spd. Automatic 46RE Transmission DGW = TRANSMISSION - 4-SPD. AUTOMATIC,44RE DGX = 4-Speed Automatic Transmission DGY = No Description Available DGZ = Transmission- 4-Spd. Automatic,MT643 DBB = ALL MANUAL TRANSMISSIONS DGO = TRANSMISSIONS - ALL AUTOMATIC

AR = use ase required - = Non illustrated part

Antenna
Figure 08A-330



ITEM	PART NUMBER	QTY	LINE	SERIES	BODY	ENGINE	TRANS	TRIM	DESCRIPTION
1	56038505AB	1							BASE, Antenna
2									ANTENNA
	56022199AA	1	B, U						Power Antenna, Export
		1	J, T						Power Antenna, Export
3	56038507AB	1							ESCUTCHEON, Antenna
4	56007570AB	1							CAP NUT, Antenna
5	56008917	1							MAST, Antenna
6	56038506	1							PLUG, Antenna Hole
7									CABLE, Antenna
	56038508AD	1	J, T						
	56038509AB	1	B, U						
-8									GROMMET, Antenna Mounting
	56022200AA	1	J, T						
		1	B, U						

CHEROKEE (XJ)

SERIES LINE
L = LOWLINE B = JEEP - 2WD (RHD)
U = JEEP - 4WD (RHD)
T = LHD - (2WD)
J = JEEP - - LHD (4WD)

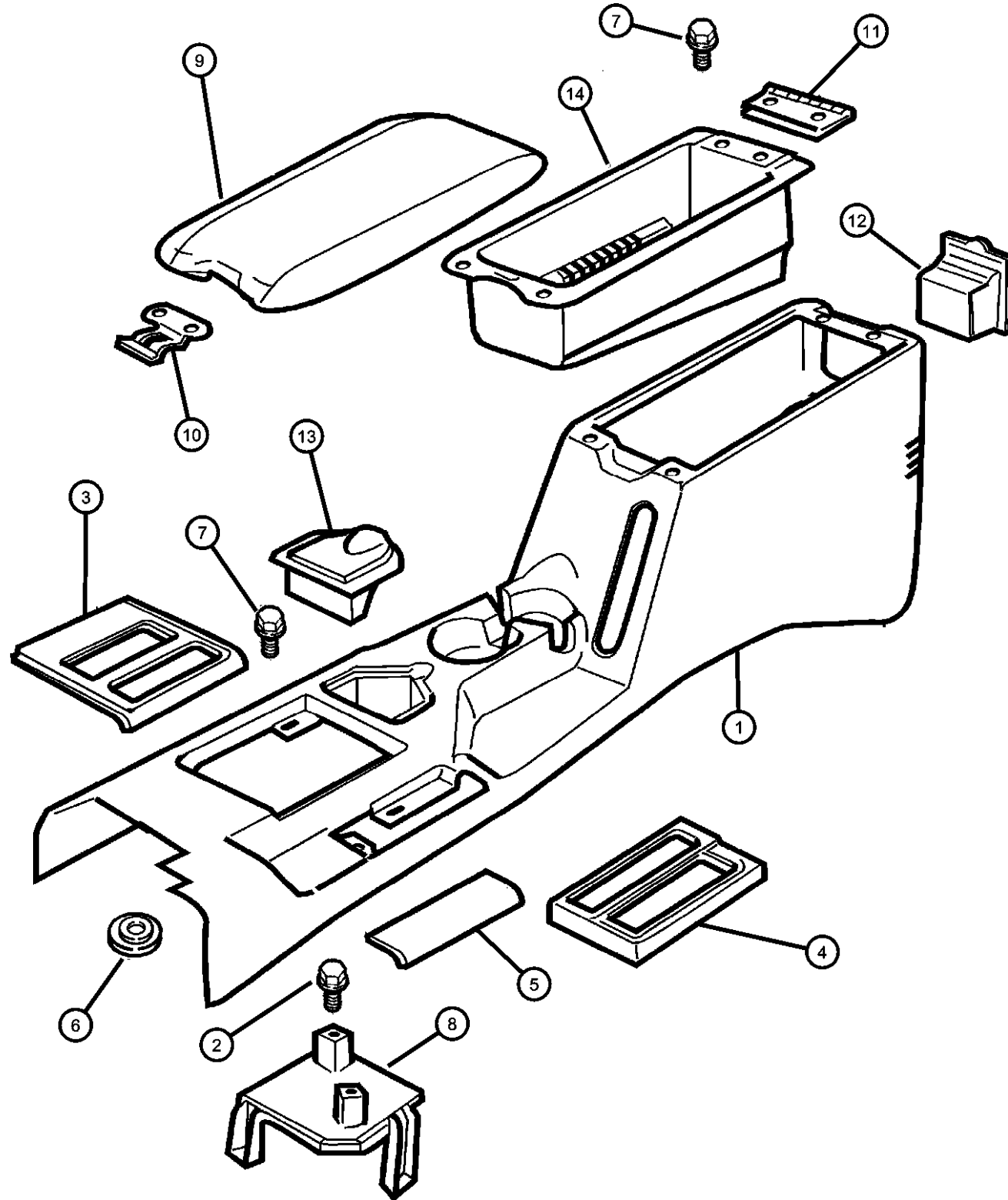
BODY
72 = 2DR (101.4 WB)
74 = 4 DR (101.4 WB)

ENGINE TRANSMISSION
ENC = 2.5L 4 Cyl Turbo Diesel Engine
EPE = Engine - 2.5L Power Tech I-4 Cyl.
ERH = 4.0L Power Tech I-6 Engine
ENO = Engines - ALL 4/5 CYL Turbo Diesel
ERO = Engines - All 4.0L 6 Cyl Gas
EPO = ENGINES - ALL 2.5L 4 CYL GAS
DCB = Transmission - 4-Speed Manual,T3340
DDQ = 5-Speed Manual Transmission
DDX = 5-Speed HD Manual Transmission
DGD = 3-Spd. Automatic 30RH Transmission
DGK = 4-Spd. Automatic 42RE Transmission
DGS = 4-Speed Automatic AW4 Transmission
DGT = 4-Spd. Automatic 46RE Transmission
DGW = TRANSMISSION - 4-SPD. AUTOMATIC,44RE
DGX = 4-Speed Automatic Transmission
DGY = No Description Available
DGZ = Transmission- 4-Spd. Automatic,MT643
DBB = ALL MANUAL TRANSMISSIONS
DGO = TRANSMISSIONS - ALL AUTOMATIC

AR = use ase required - = Non illustrated part

1998 XJ

Floor Console
Figure 08A-420



ITEM	PART NUMBER	QTY	LINE	SERIES	BODY	ENGINE	TRANS	TRIM	DESCRIPTION
1	0QX101C3AA	1							CONSOLE, Base Gray
	0QX101T6AA	1							Spice
2	0QX101T6AA	1							SCREW, .164-18x.500, (NOT SERVICED), BEZEL, Console PRNDL
3	5EK03LAZ	1	J, T						Agate
	5EK07LAZ	1	B, U						Agate
4	5EK13LAZAB	1	U						BEZEL, Transfer Case Transfer Case 242-Selec Trac
	5EK17LAZAB	1	U						Transfer Case 231-Command Trac
	5EL86LAZAB	1	J						Transfer Case 242-Selec Trac
	5EL90LAZAB	1	J						Transfer Case 231-Command Trac
5	5EU66RC3	1	B, T						COVER, Transfer Case Lever Hole Gray
	5EU66RT6	1	B, T						Spice
6	34202365	4							WASHER
7	06032723	6							SCREW, Self Tapping, M4.2x1.69x19.05
8	55115543	1							BRACKET, Floor Console
9	5EJ50RC3	1							LID, Floor Console Bin Gray
	5EJ50RT6	1							Spice

CHEROKEE (XJ)

SERIES LINE
L = LOWLINE B = JEEP - 2WD (RHD)
U = JEEP - 4WD (RHD)
T = LHD - (2WD)
J = JEEP - - LHD (4WD)

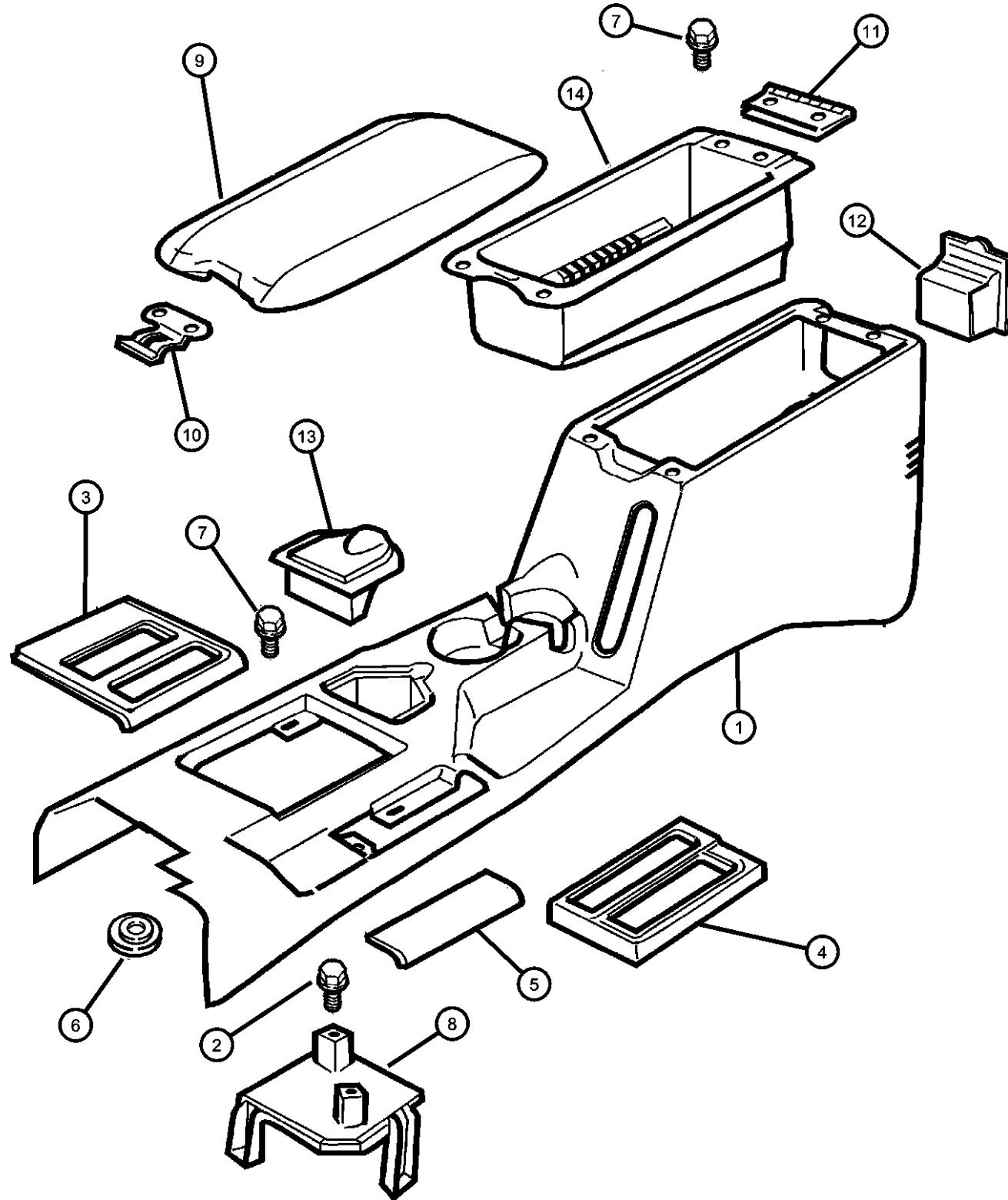
BODY
72 = 2DR (101.4 WB)
74 = 4 DR (101.4 WB)

ENGINE TRANSMISSION
ENC = 2.5L 4 Cyl Turbo Diesel Engine
EPE = Engine - 2.5L Power Tech I-4 Cyl.
ERH = 4.0L Power Tech I-6 Engine
ENO = Engines - ALL 4/5 CYL Turbo Diesel
ERO = Engines - All 4.0L 6 Cyl Gas
EPO = ENGINES - ALL 2.5L 4 CYL GAS
DCB = Transmission - 4-Speed Manual,T3340
DDQ = 5-Speed Manual Transmission
DDX = 5-Speed HD Manual Transmission
DGD = 3-Spd. Automatic 30RH Transmission
DGK = 4-Spd. Automatic 42RE Transmission
DGS = 4-Speed Automatic AW4 Transmission
DGT = 4-Spd. Automatic 46RE Transmission
DGW = TRANSMISSION - 4-SPD. AUTOMATIC,44RE
DGX = 4-Speed Automatic Transmission
DGY = No Description Available
DGZ = Transmission- 4-Spd. Automatic,MT643
DBB = ALL MANUAL TRANSMISSIONS
DGO = TRANSMISSIONS - ALL AUTOMATIC

AR = use ase required - = Non illustrated part

1998 XJ

Floor Console
Figure 08A-420



ITEM	PART NUMBER	QTY	LINE	SERIES	BODY	ENGINE	TRANS	TRIM	DESCRIPTION
10	55115622	1							LATCH, Armrest Lid
11	55352505	1							HINGE, Floor Console Lid
12	5EK10LAZ	1							ASH RECEIVER, Floor Console, Rear (Agate)
13	5EB68LAZ	1							ASH RECEIVER, Floor Console, Front (Agate)
14	55115523	1							BIN, Floor Console
-15	34201314	4	J, T		74				SCREW, Tapping Round Head, .164x18x1.232
-16	04524343	2							BUMPER, Glove Box Door
-17	55037315	2	B, U						CLIP
		2	J, T						
-18	06034833	2							CLIP, Push, .164-7.5

CHEROKEE (XJ)

SERIES LINE
L = LOWLINE B = JEEP - 2WD (RHD)
U = JEEP - 4WD (RHD)
T = LHD - (2WD)
J = JEEP - - LHD (4WD)

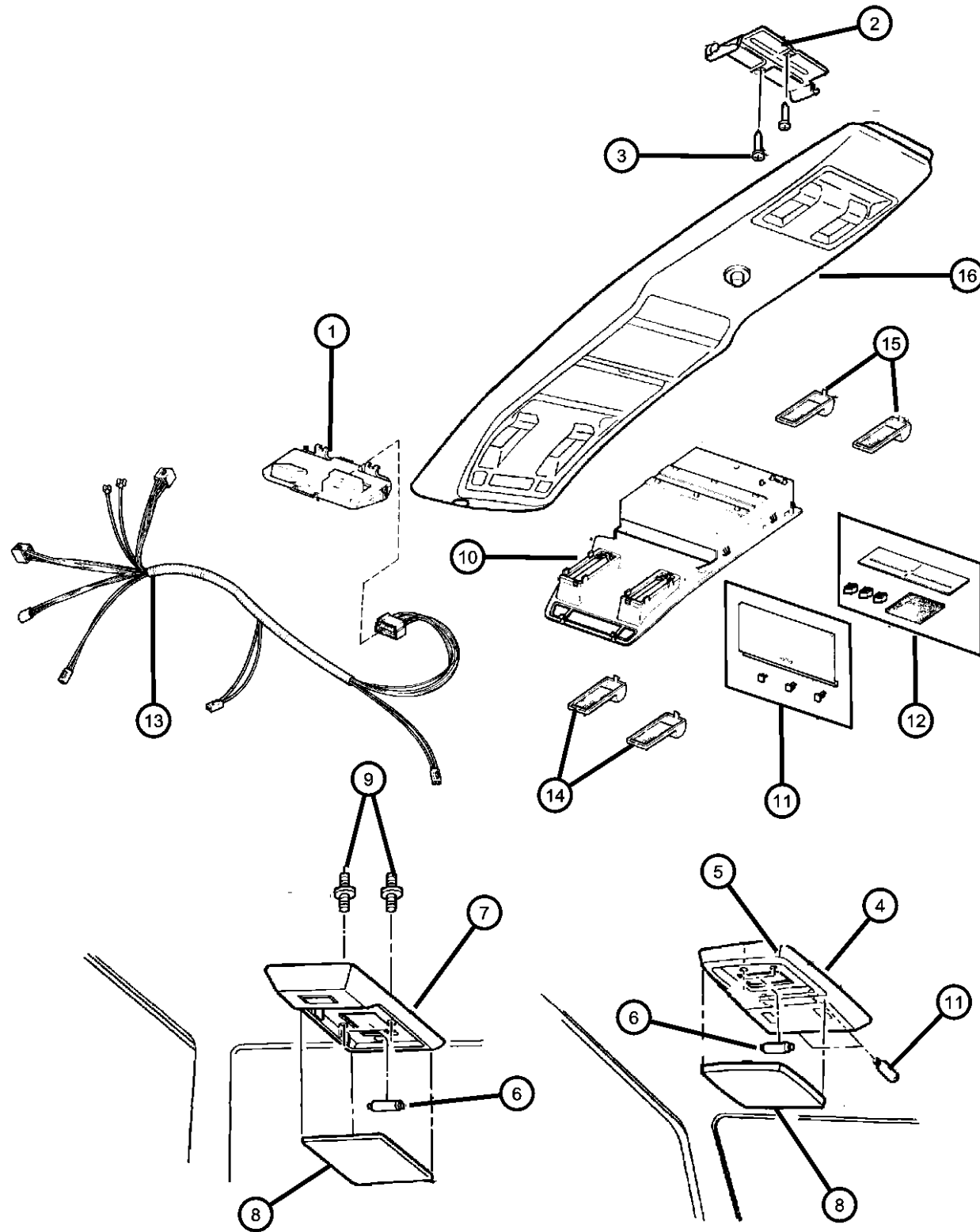
BODY
72 = 2DR (101.4 WB)
74 = 4 DR (101.4 WB)

ENGINE TRANSMISSION
ENC = 2.5L 4 Cyl Turbo Diesel Engine DCB = Transmission - 4-Speed Manual, T3340
EPE = Engine - 2.5L Power Tech I-4 Cyl. DDQ = 5-Speed Manual Transmission
ERH = 4.0L Power Tech I-6 Engine DDG = 5-Speed HD Manual Transmission
ENO = Engines - ALL 4/5 CYL Turbo Diesel DGD = 3-Spd. Automatic 30RH Transmission
ERO = Engines - All 4.0L 6 Cyl Gas DGK = 4-Spd. Automatic 42RE Transmission
EPO = ENGINES - ALL 2.5L 4 CYL GAS DGS = 4-Speed Automatic AW4 Transmission
DGT = 4-Spd. Automatic 46RE Transmission
DGW = TRANSMISSION - 4-SPD. AUTOMATIC, 44RE
DGX = 4-Speed Automatic Transmission
DGY = No Description Available
DGZ = Transmission- 4-Spd. Automatic, MT643
DBB = ALL MANUAL TRANSMISSIONS
DGO = TRANSMISSIONS - ALL AUTOMATIC

AR = use ase required - = Non illustrated part

1998 XJ

Overhead Console
Figure 08A-450



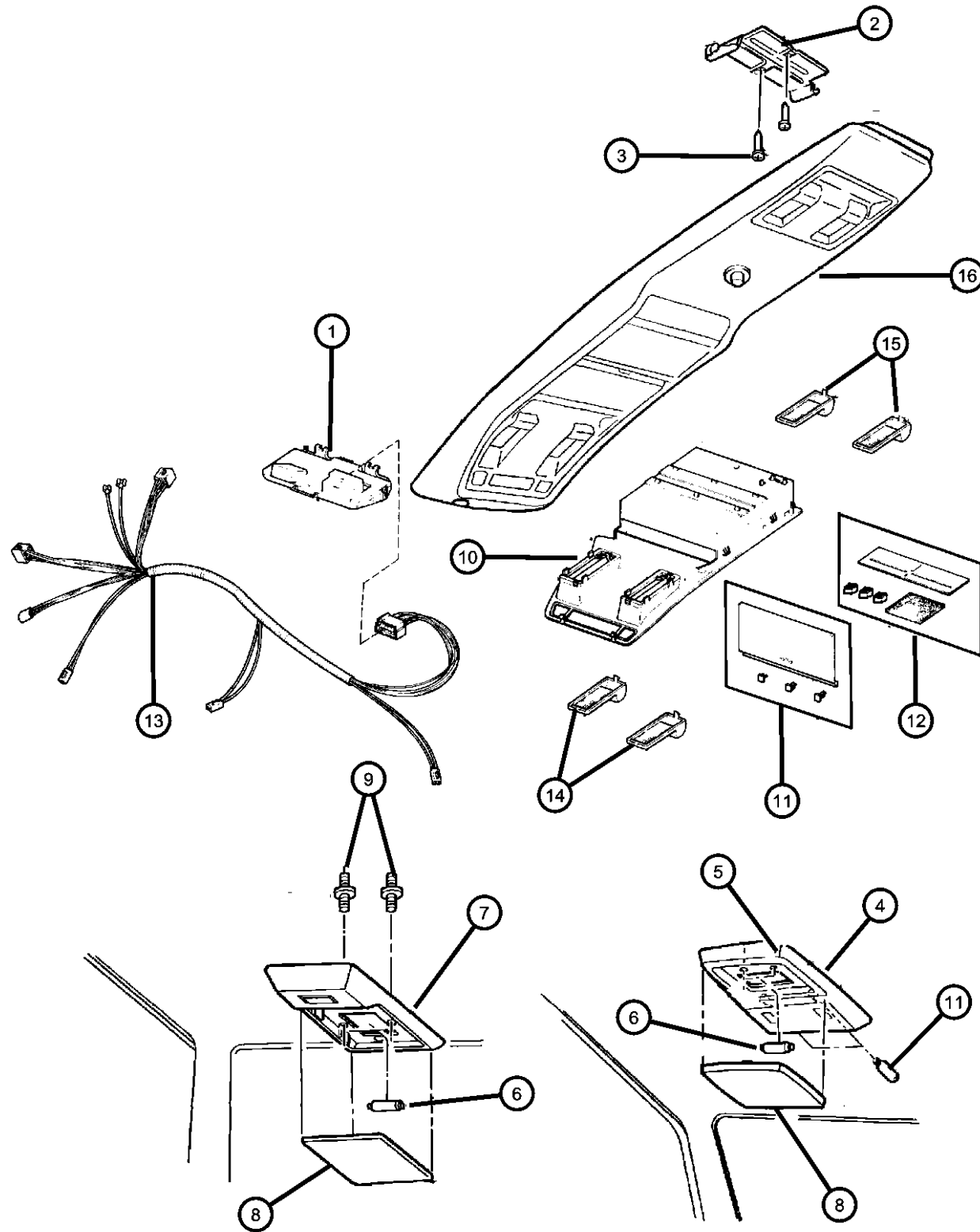
ITEM	PART NUMBER	QTY	LINE	SERIES	BODY	ENGINE	TRANS	TRIM	DESCRIPTION
1	56009380	1							MODULE, Compass Temperature JAPAN
	56009380AB	1							USA/CANADA
		1							EUROPE
2	55352518	1							BRACKET, Overhead Console
3	55352518	1							SCREW, Pan Head Tapping, .164-32x.625, (NOT SERVICED)
4									LAMP, Dome And Reading
	5AS36RC3	1							Mist Gray
	5AS36ST6	1							Saddle
5									LAMP, Dome
	0JV76RC3	1							Mist Gray
	0JV76RT6	1							Saddle
6	L0000561	1							BULB, 561
7									LAMP, Cargo
	5FY15RC3AA	1							Mist Gray
	5FY15RT6AA	1							Saddle
8	5FY15RT6AA	1							LENS, Dome Lamp, (NOT REQUIRED),
9	5FY15RT6AA	1							STUD, Double Ended, M4.2x1.41/M3.25x51, (NOT REQUIRED)
10	04761436	1							HOUSING AND DOOR, Overhead Console
11	04761965	1							DOOR, Garage Door Opener
12	04798405	1							ADAPTER, Garage Door Button

CHEROKEE (XJ)

SERIES	LINE	BODY	ENGINE	TRANSMISSION
L = LOWLINE	B = JEEP - 2WD (RHD) U = JEEP - 4WD (RHD) T = LHD - (2WD) J = JEEP - - LHD (4WD)	72 = 2DR (101.4 WB) 74 = 4 DR (101.4 WB)	ENC = 2.5L 4 Cyl Turbo Diesel Engine EPE = Engine - 2.5L Power Tech I-4 Cyl. ERH = 4.0L Power Tech I-6 Engine ENO = Engines - ALL 4/5 CYL Turbo Diesel ERO = Engines - All 4.0L 6 Cyl Gas EPO = ENGINES - ALL 2.5L 4 CYL GAS	DCB = Transmission - 4-Speed Manual,T3340 DDQ = 5-Speed Manual Transmission DDX = 5-Speed HD Manual Transmission DGD = 3-Spd. Automatic 30RH Transmission DGK = 4-Spd. Automatic 42RE Transmission DGS = 4-Speed Automatic AW4 Transmission DGT = 4-Spd. Automatic 46RE Transmission DGW = TRANSMISSION - 4-SPD. AUTOMATIC,44RE DGX = 4-Speed Automatic Transmission DGY = No Description Available DGZ = Transmission- 4-Spd. Automatic,MT643 DBB = ALL MANUAL TRANSMISSIONS DGO = TRANSMISSIONS - ALL AUTOMATIC

AR = use ase required - = Non illustrated part

Overhead Console
Figure 08A-450



ITEM	PART NUMBER	QTY	LINE	SERIES	BODY	ENGINE	TRANS	TRIM	DESCRIPTION
13	04882780	1							WIRING, Overhead Console w/Keyless Entry
	56009702AD	1							w/o Keyless Entry
14	05268175	1							LENS, Reading Lamp Front, Right
	05268176	1							Front, Left
15	05268177	1							LENS, Reading Lamp Rear, Left
	05268178	1							Rear, Right
16	0QL651C3	1							HOUSING, Overhead Console w/o Immobilizer (Gray)
	0QL651T6	1							w/o Immobilizer (Spice)
	0QL741C3	1							w/Immobilizer (Gray)
	0QL741T6	1							w/Immobilizer (Spice)
-17	04761966	1							SWITCH, Minitrip

CHEROKEE (XJ)

SERIES	LINE	BODY	ENGINE	TRANSMISSION
L = LOWLINE	B = JEEP - 2WD (RHD) U = JEEP - 4WD (RHD) T = LHD - (2WD) J = JEEP - - LHD (4WD)	72 = 2DR (101.4 WB) 74 = 4 DR (101.4 WB)	ENC = 2.5L 4 Cyl Turbo Diesel Engine EPE = Engine - 2.5L Power Tech I-4 Cyl. ERH = 4.0L Power Tech I-6 Engine ENO = Engines - ALL 4/5 CYL Turbo Diesel ERO = Engines - All 4.0L 6 Cyl Gas EPO = ENGINES - ALL 2.5L 4 CYL GAS	DCB = Transmission - 4-Speed Manual,T3340 DDQ = 5-Speed Manual Transmission DDX = 5-Speed HD Manual Transmission DGD = 3-Spd. Automatic 30RH Transmission DGK = 4-Spd. Automatic 42RE Transmission DGS = 4-Speed Automatic AW4 Transmission DGT = 4-Spd. Automatic 46RE Transmission DGW = TRANSMISSION - 4-SPD. AUTOMATIC,44RE DGX = 4-Speed Automatic Transmission DGY = No Description Available DGZ = Transmission- 4-Spd. Automatic,MT643 DBB = ALL MANUAL TRANSMISSIONS DGO = TRANSMISSIONS - ALL AUTOMATIC

AR = use ase required - = Non illustrated part

Group - 9

Engine Mounting

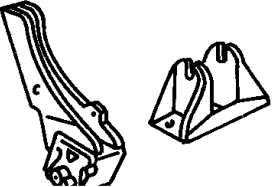
Group - 9 Engine Mounting

Illustration Title

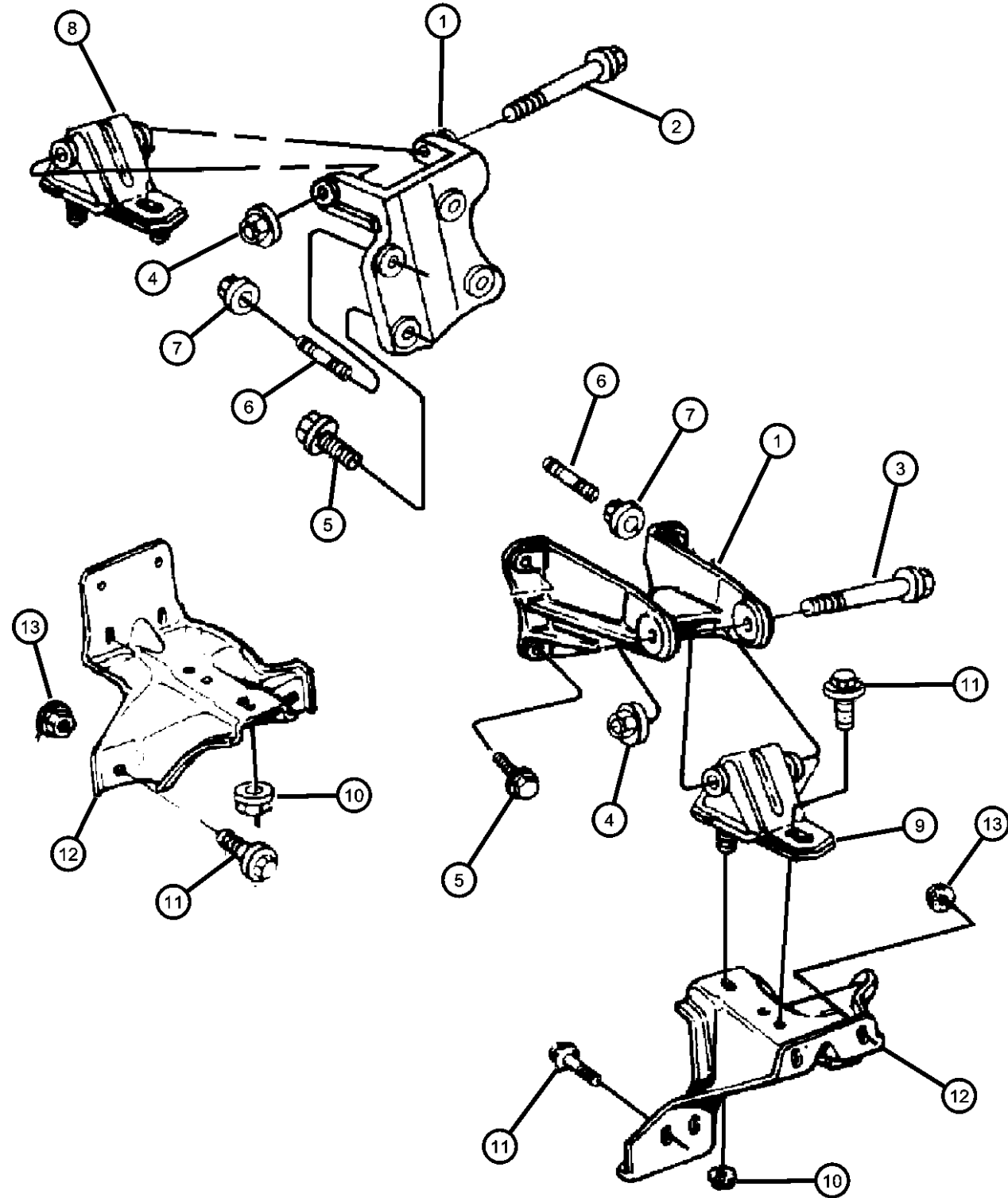
Group-Fig. No.

Engine Mounting

Engine Mounting, Front..... Fig. 9 - 110
 Engine Mounting, Rear Fig. 9 - 120
 Engine Mounting, Front Fig. 9 - 130
 Engine Mounting, Rear Fig. 9 - 140
 Engine Mounting, Front..... Fig. 9 - 150
 Engine Mounting, Rear Fig. 9 - 160

<p>009-100 Engine Mounting</p> 			
--	--	--	--

Engine Mounting, Front
Figure 9-110



ITEM	PART NUMBER	QTY	LINE	SERIES	BODY	ENGINE	TRANS	TRIM	DESCRIPTION
NOTE: EP0=All 2.5L Gas Engines DBB=All Manual Transmissions DGD=3 Speed Automatic Transmission									
1	52017731	1	B, U			EP0	DBB		BRACKET, Engine Mount Right
	52018450AB	1	J, T			EP0			Right
	52058877AB	1	J, T			EP0			Left
	52060003	1	B, U			EP0	DBB		Left
2	06101742	1	B, U			EP0			BOLT, Square Neck, M12x1.75x130Right
3	34201959	1	B, U			EP0			BOLT, Hex Flange Head, M12-1.75x125Left
4	06502697	2							NUT, Hex Flange Lock, M12x1.75
5	06034989	4				EP0	DGD		SCREW, Hex Head, .375-16x1.125
		5				EP0	DBB		
6	06033883	3				EP0	DBB		STUD, .375-16x2.00"
		4				EP0	DGD		
7	00152344	1				EP0	DBB		NUT, Hex Flange Lock, .375-16
8	J3242728	1	B, U			EP0	DBB		INSULATOR, Engine MountRight
9	52007394	1	B, U			EP0	DBB		CUSHION, Engine SupportLeft
10	06502135	4							NUT, Hex Flange, M10x1.5
11	06504511	1	B			EP0			SCREW AND WASHER, M10x1.5x40
12	52003005	1	B, U			EP0	DBB		BRACKET, Engine Mount Left

CHEROKEE (XJ)

SERIES

L = LOWLINE
 B = JEEP - 2WD (RHD)
 U = JEEP - 4WD (RHD)
 T = LHD - (2WD)
 J = JEEP - - LHD (4WD)

BODY

72 = 2DR (101.4 WB)
 74 = 4 DR (101.4 WB)

ENGINE

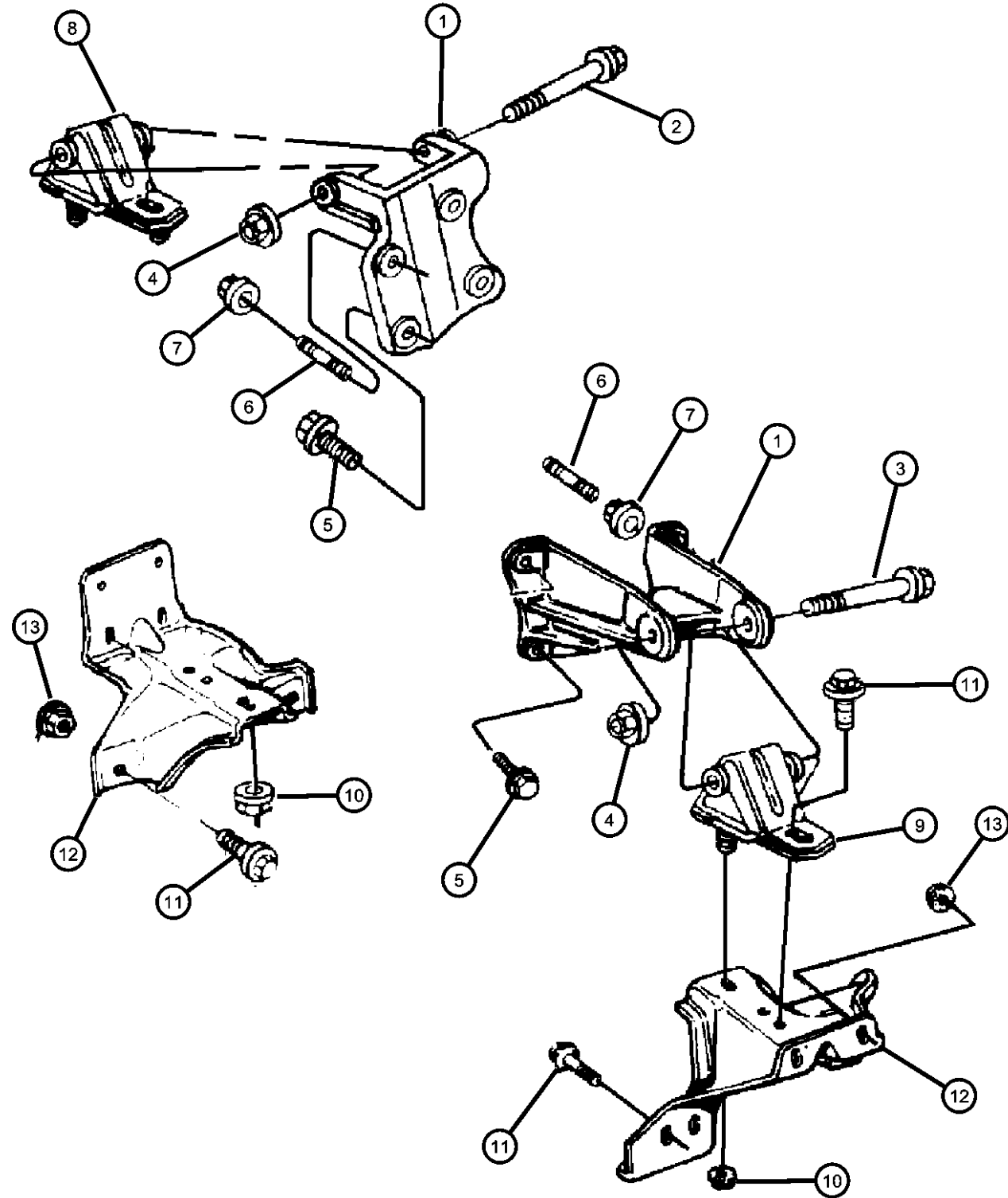
ENC = 2.5L 4 Cyl Turbo Diesel Engine
 EPE = Engine - 2.5L Power Tech I-4 Cyl.
 ERH = 4.0L Power Tech I-6 Engine
 ENO = Engines - ALL 4/5 CYL Turbo Diesel
 ERO = Engines - All 4.0L 6 Cyl Gas
 EP0 = ENGINES - ALL 2.5L 4 CYL GAS

TRANSMISSION

DCB = Transmission - 4-Speed Manual,T3340
 DDQ = 5-Speed Manual Transmission
 DDX = 5-Speed HD Manual Transmission
 DGD = 3-Spd. Automatic 30RH Transmission
 DGK = 4-Spd. Automatic 42RE Transmission
 DGS = 4-Speed Automatic AW4 Transmission
 DGT = 4-Spd. Automatic 46RE Transmission
 DGW = TRANSMISSION - 4-SPD. AUTOMATIC,44RE
 DGX = 4-Speed Automatic Transmission
 DGY = No Description Available
 DGZ = Transmission- 4-Spd. Automatic,MT643
 DBB = ALL MANUAL TRANSMISSIONS
 DGO = TRANSMISSIONS - ALL AUTOMATIC

AR = use ase required - = Non illustrated part

Engine Mounting, Front
Figure 9-110



ITEM	PART NUMBER	QTY	LINE	SERIES	BODY	ENGINE	TRANS	TRIM	DESCRIPTION
	52020219AB	1	J, T			EP0			Left
	52059010AB	1	J, T			EP0			Right
	52059030	1	B, U			EP0	DBB		Right
13	34201416	4				EP0			NUT, Hex Flange, M8x1.25

CHEROKEE (XJ)

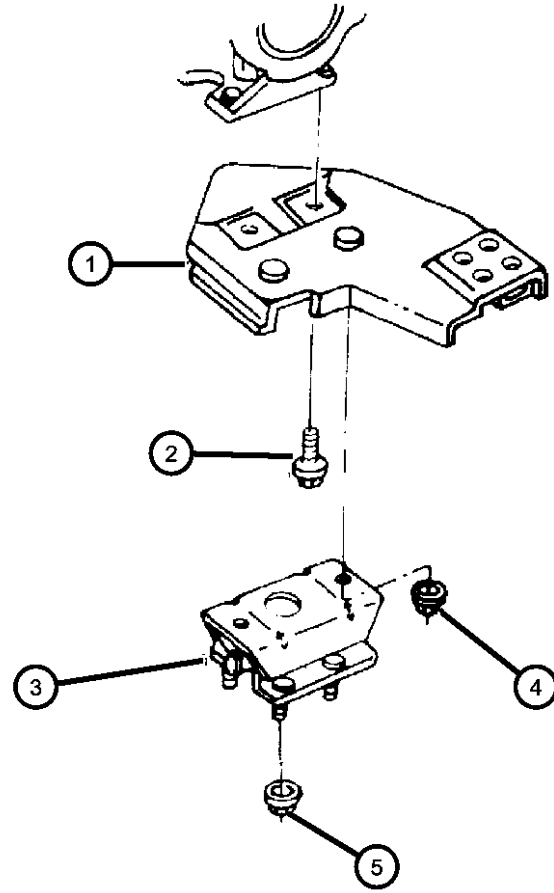
SERIES LINE
 L = LOWLINE B = JEEP - 2WD (RHD)
 U = JEEP - 4WD (RHD)
 T = LHD - (2WD)
 J = JEEP - - LHD (4WD)

BODY
 72 = 2DR (101.4 WB)
 74 = 4 DR (101.4 WB)

ENGINE TRANSMISSION
 ENC = 2.5L 4 Cyl Turbo Diesel Engine DCB = Transmission - 4-Speed Manual,T3340
 EPE = Engine - 2.5L Power Tech I-4 Cyl. DDQ = 5-Speed Manual Transmission
 ERH = 4.0L Power Tech I-6 Engine DDX = 5-Speed HD Manual Transmission
 ENO = Engines - ALL 4/5 CYL Turbo Diesel DGD = 3-Spd. Automatic 30RH Transmission
 ERO = Engines - All 4.0L 6 Cyl Gas DGK = 4-Spd. Automatic 42RE Transmission
 EP0 = ENGINES - ALL 2.5L 4 CYL GAS DGS = 4-Speed Automatic AW4 Transmission
 DGT = 4-Spd. Automatic 46RE Transmission
 DGW = TRANSMISSION - 4-SPD. AUTOMATIC,44RE
 DGX = 4-Speed Automatic Transmission
 DGY = No Description Available
 DGZ = Transmission- 4-Spd. Automatic,MT643
 DBB = ALL MANUAL TRANSMISSIONS
 DG0 = TRANSMISSIONS - ALL AUTOMATIC

AR = use ase required - = Non illustrated part

Engine Mounting, Rear
Figure 9-120



ITEM	PART NUMBER	QTY	LINE	SERIES	BODY	ENGINE	TRANS	TRIM	DESCRIPTION
NOTE: EP0=All 2.5L Gas Engines DBB=All Manual Transmissions									
1	52058885	1	B, U			EP0	DBB		BRACKET, Support Rear
2	52058885	1							BOLT, (NOT SERVICED)
3	52001180	1	U			EP0	DBB		INSULATOR, Engine Mount
	52007393	1	B			EP0	DBB		
4	06502135	2							NUT, Hex Flange, M10x1.5
5	06101695	4							NUT, Hex Flange Lock, M8x1.25

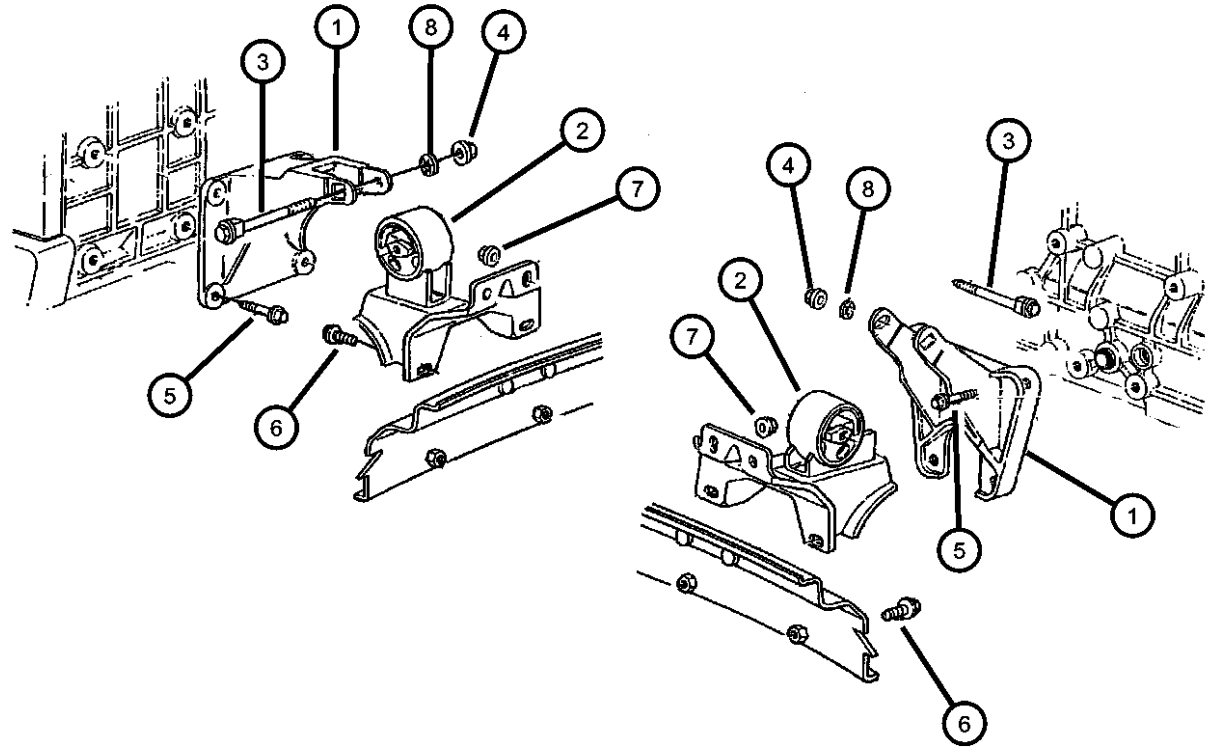
CHEROKEE (XJ)

SERIES	LINE	BODY	ENGINE	TRANSMISSION
L = LOWLINE	B = JEEP - 2WD (RHD) U = JEEP - 4WD (RHD) T = LHD - (2WD) J = JEEP - - LHD (4WD)	72 = 2DR (101.4 WB) 74 = 4 DR (101.4 WB)	ENC = 2.5L 4 Cyl Turbo Diesel Engine EPE = Engine - 2.5L Power Tech I-4 Cyl. ERH = 4.0L Power Tech I-6 Engine ENO = Engines - ALL 4/5 CYL Turbo Diesel ERO = Engines - All 4.0L 6 Cyl Gas EP0 = ENGINES - ALL 2.5L 4 CYL GAS	DCB = Transmission - 4-Speed Manual,T3340 DDQ = 5-Speed Manual Transmission DDX = 5-Speed HD Manual Transmission DGD = 3-Spd. Automatic 30RH Transmission DGK = 4-Spd. Automatic 42RE Transmission DGS = 4-Speed Automatic AW4 Transmission DGT = 4-Spd. Automatic 46RE Transmission DGW = TRANSMISSION - 4-SPD. AUTOMATIC,44RE DGX = 4-Speed Automatic Transmission DGY = No Description Available DGZ = Transmission- 4-Spd. Automatic,MT643 DBB = ALL MANUAL TRANSMISSIONS DGO = TRANSMISSIONS - ALL AUTOMATIC

AR = use ase required - = Non illustrated part

Engine Mounting, Front
Figure 9-130

ITEM	PART NUMBER	QTY	LINE	SERIES	BODY	ENGINE	TRANS	TRIM	DESCRIPTION
NOTE: EN0=All 2.5L Diesel Engines DDQ=5 Speed Manual Transmission									
1									BRACKET, Engine Mount
	52059102	1				EN0			Left
	52059114	1				EN0			Right
2									BRACKET, Engine Mount
	52059200	1				EN0			Right
	52059201	1				EN0			Left
3	06101742	2				EN0	DDQ		BOLT, Square Neck, M12x1.75x130
4	06502697	2							NUT, Hex Flange Lock, M12x1.75
5	06101238	8				EN0			SCREW, Header Point, M10x1.50x25.00
6	06504511	4				EN0			SCREW AND WASHER, M10x1.5x40
7	34201416	4				EN0			NUT, Hex Flange, M8x1.25
8	34201416	4							NUT, M12, (NOT SERVICED)



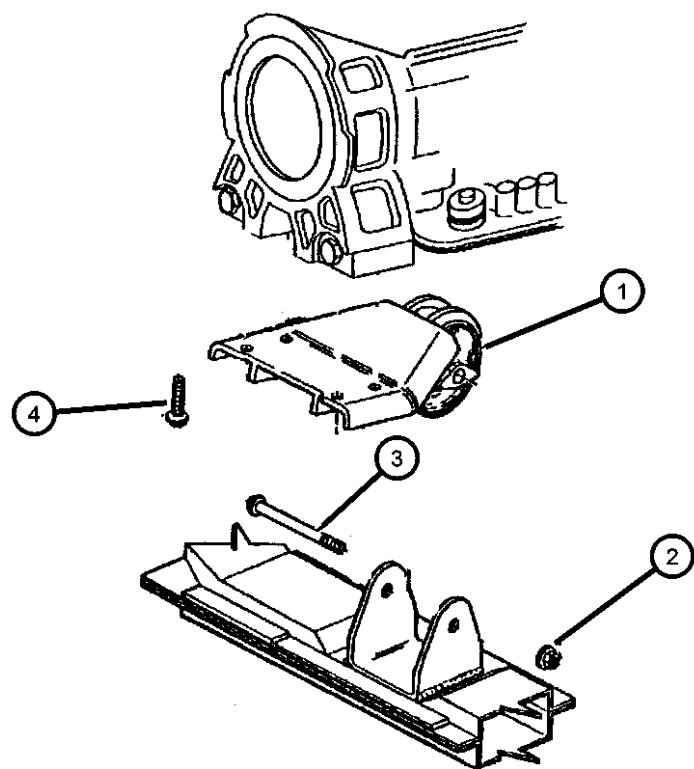
CHEROKEE (XJ)

SERIES	LINE	BODY	ENGINE	TRANSMISSION
L = LOWLINE	B = JEEP - 2WD (RHD) U = JEEP - 4WD (RHD) T = LHD - (2WD) J = JEEP - - LHD (4WD)	72 = 2DR (101.4 WB) 74 = 4 DR (101.4 WB)	ENC = 2.5L 4 Cyl Turbo Diesel Engine EPE = Engine - 2.5L Power Tech I-4 Cyl. ERH = 4.0L Power Tech I-6 Engine ENO = Engines - ALL 4/5 CYL Turbo Diesel ERO = Engines - All 4.0L 6 Cyl Gas EPO = ENGINES - ALL 2.5L 4 CYL GAS	DCB = Transmission - 4-Speed Manual,T3340 DDQ = 5-Speed Manual Transmission DDX = 5-Speed HD Manual Transmission DGD = 3-Spd. Automatic 30RH Transmission DGK = 4-Spd. Automatic 42RE Transmission DGS = 4-Speed Automatic AW4 Transmission DGT = 4-Spd. Automatic 46RE Transmission DGW = TRANSMISSION - 4-SPD. AUTOMATIC,44RE DGX = 4-Speed Automatic Transmission DGY = No Description Available DGZ = Transmission- 4-Spd. Automatic,MT643 DBB = ALL MANUAL TRANSMISSIONS DGO = TRANSMISSIONS - ALL AUTOMATIC

AR = use ase required - = Non illustrated part

Engine Mounting, Rear
Figure 9-140

ITEM	PART NUMBER	QTY	LINE	SERIES	BODY	ENGINE	TRANS	TRIM	DESCRIPTION
NOTE: ENC=2.5L Diesel Engine DDQ=5 Speed Manual Transmission									
1	52058539	1				ENC	DDQ		ISOLATOR, Transmission Mount
2	06502697	1							NUT, Hex Flange Lock, M12x1.75
3	34202606	1				ENC	DDQ		BOLT, Hex Head
4	34202606	1							BOLT AND CONED WASHER, Hex Head, .437-14x1.12, (NOT SERVICED)

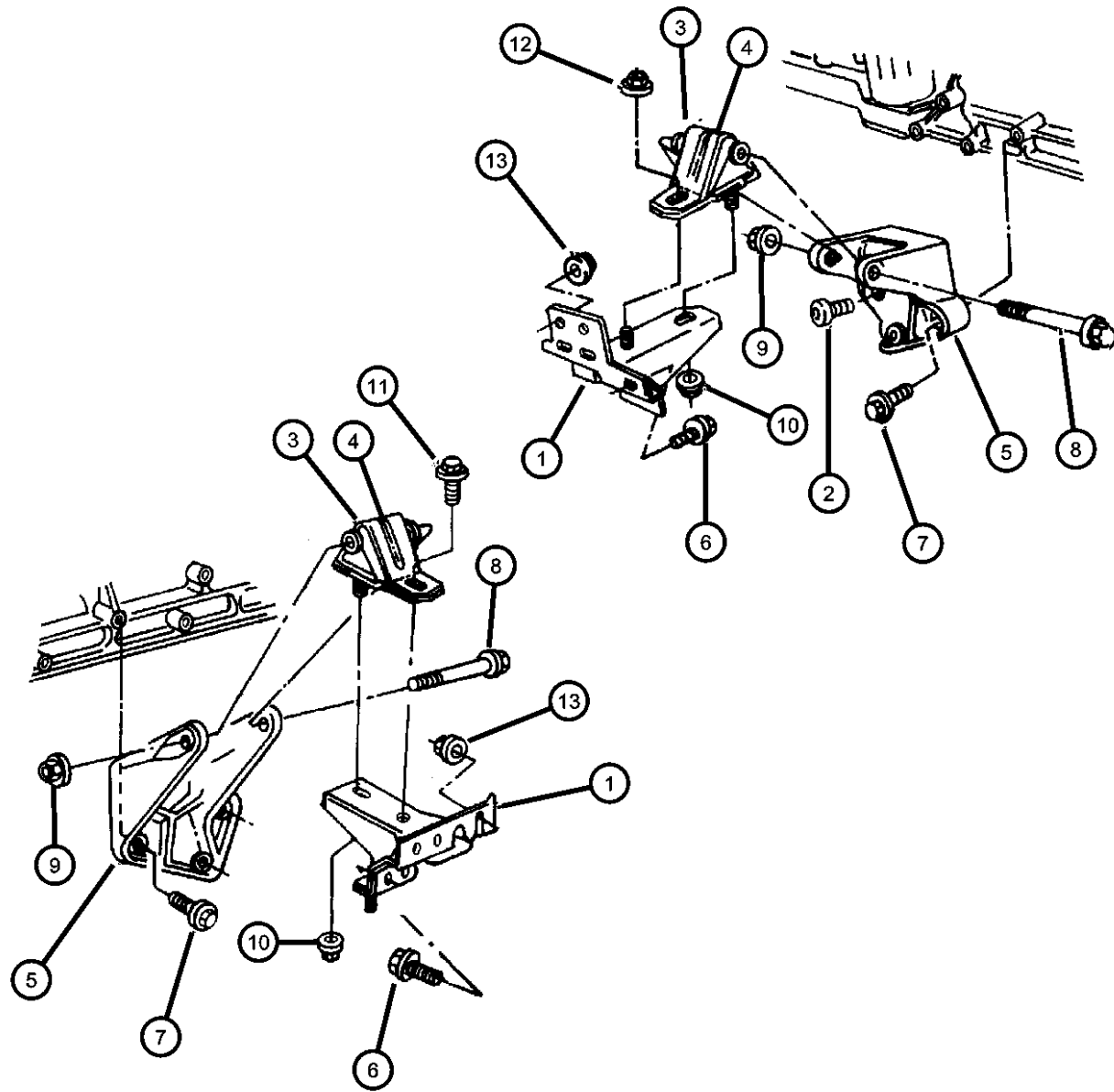


CHEROKEE (XJ)

SERIES	LINE	BODY	ENGINE	TRANSMISSION
L = LOWLINE	B = JEEP - 2WD (RHD) U = JEEP - 4WD (RHD) T = LHD - (2WD) J = JEEP - - LHD (4WD)	72 = 2DR (101.4 WB) 74 = 4 DR (101.4 WB)	ENC = 2.5L 4 Cyl Turbo Diesel Engine EPE = Engine - 2.5L Power Tech I-4 Cyl. ERH = 4.0L Power Tech I-6 Engine ENO = Engines - ALL 4/5 CYL Turbo Diesel ERO = Engines - All 4.0L 6 Cyl Gas EPO = ENGINES - ALL 2.5L 4 CYL GAS	DCB = Transmission - 4-Speed Manual,T3340 DDQ = 5-Speed Manual Transmission DDX = 5-Speed HD Manual Transmission DGD = 3-Spd. Automatic 30RH Transmission DGK = 4-Spd. Automatic 42RE Transmission DGS = 4-Speed Automatic AW4 Transmission DGT = 4-Spd. Automatic 46RE Transmission DGW = TRANSMISSION - 4-SPD. AUTOMATIC,44RE DGX = 4-Speed Automatic Transmission DGY = No Description Available DGZ = Transmission- 4-Spd. Automatic,MT643 DBB = ALL MANUAL TRANSMISSIONS DGO = TRANSMISSIONS - ALL AUTOMATIC

AR = use ase required - = Non illustrated part

Engine Mounting, Front
Figure 9-150



ITEM	PART NUMBER	QTY	LINE	SERIES	BODY	ENGINE	TRANS	TRIM	DESCRIPTION
NOTE: ER0=All 4.0L Engines									
1									BRACKET, Engine Mount
	52002603AC	1				ER0			Left
	52019010AB	1	J, T			ER0			Right
	52058424AB	1	B, U			ER0			R.W.A.L. Ground Attaching
2	J4007560	1				ER0			SCREW, Hex Head, .375-16x1.125
3									CUSHION, Engine Support
	52019201AB	2	J, T			ER0			Left, Right
		1	B, U			ER0			
4	52020018	1	B, U			ER0			INSULATOR, Engine Mount, Right, Left
5									BRACKET, Engine Mount
	52002607	1				ER0			Left, Left
	52020270	1				ER0			Right, Right
6	06504511	1				ER0			SCREW AND WASHER, M10x1.5x40
7	06034989	5				ER0			SCREW, Hex Head, .375-16x1.125
8	34202606	2				ER0			BOLT, Hex Head
9	06502697	4							NUT, Hex Flange Lock, M12x1.75
10	34201828	2				ER0			NUT, M10x1.50
11	06504511	1				ER0			SCREW AND WASHER, M10x1.5x40
12	06502135	1	J, T			ER0			NUT, Hex Flange, M10x1.5
13	34201416	3				ER0			NUT, Hex Flange, M8x1.25

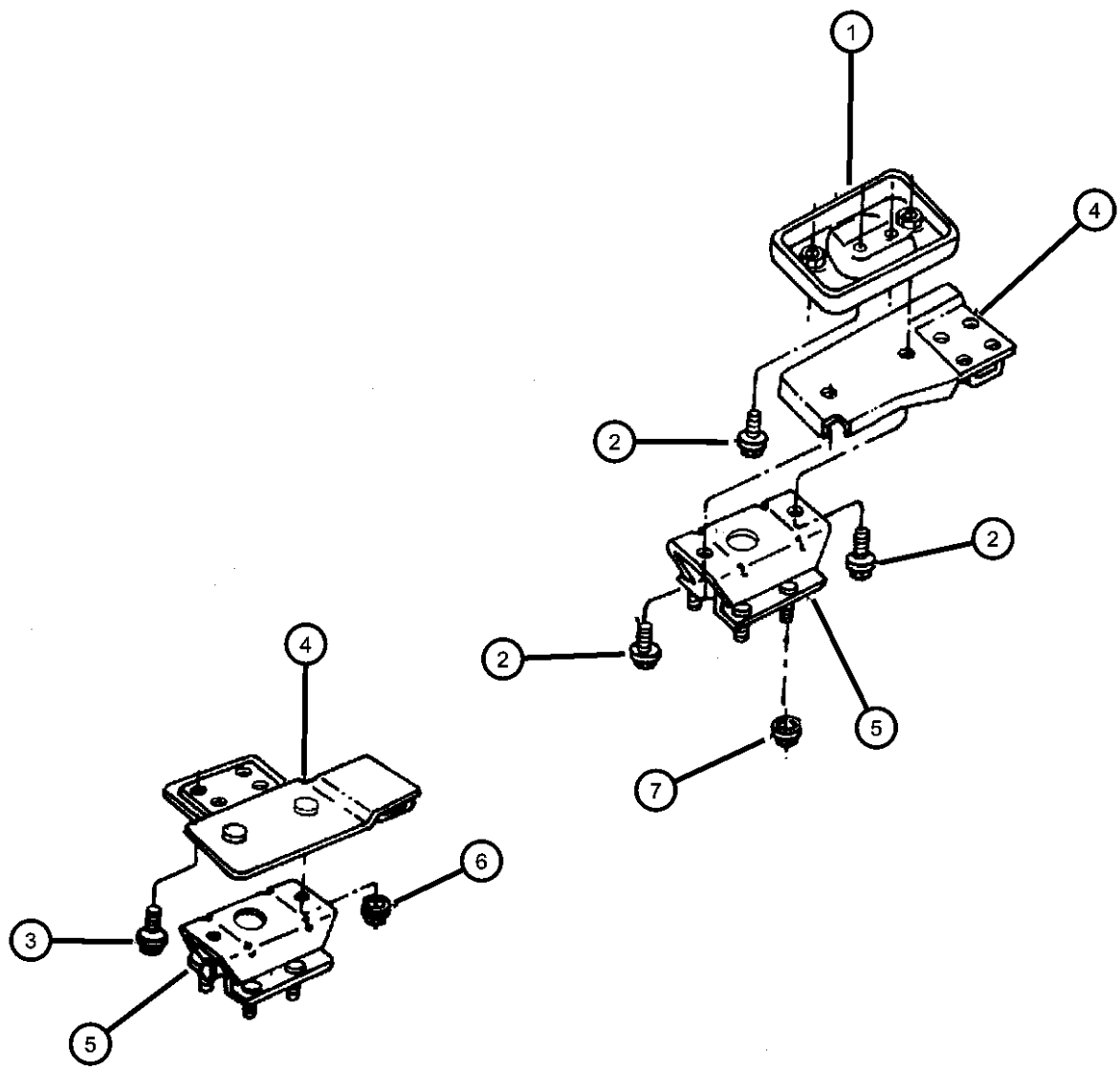
CHEROKEE (XJ)

SERIES	LINE	BODY	ENGINE	TRANSMISSION
L = LOWLINE	B = JEEP - 2WD (RHD) U = JEEP - 4WD (RHD) T = LHD - (2WD) J = JEEP - - LHD (4WD)	72 = 2DR (101.4 WB) 74 = 4 DR (101.4 WB)	ENC = 2.5L 4 Cyl Turbo Diesel Engine EPE = Engine - 2.5L Power Tech I-4 Cyl. ERH = 4.0L Power Tech I-6 Engine ENO = Engines - ALL 4/5 CYL Turbo Diesel ERO = Engines - All 4.0L 6 Cyl Gas EPO = ENGINES - ALL 2.5L 4 CYL GAS	DCB = Transmission - 4-Speed Manual, T3340 DDQ = 5-Speed Manual Transmission DDX = 5-Speed HD Manual Transmission DGD = 3-Spd. Automatic 30RH Transmission DGK = 4-Spd. Automatic 42RE Transmission DGS = 4-Speed Automatic AW4 Transmission DGT = 4-Spd. Automatic 46RE Transmission DGW = TRANSMISSION - 4-SPD. AUTOMATIC, 44RE DGX = 4-Speed Automatic Transmission DGY = No Description Available DGZ = Transmission- 4-Spd. Automatic, MT643 DBB = ALL MANUAL TRANSMISSIONS DGO = TRANSMISSIONS - ALL AUTOMATIC

AR = use ase required - = Non illustrated part

Engine Mounting, Rear
Figure 9-160

ITEM	PART NUMBER	QTY	LINE	SERIES	BODY	ENGINE	TRANS	TRIM	DESCRIPTION
NOTE: ER0=All 4.0L Engines DBB=All Manual Transmissions DDQ=5 Speed Manual Transmission DG0=All Automatic Transmissions									
1	52002337	1	B, T			ER0	DG0		BRACKET, Engine Mount
2	52017887	2	B, T			ER0	DG0		BOLT, Hex Flange Head, M12x1.75x25
3	52017887	2							BOLT, Hex Head, .437-14x1.25, (NOT SERVICED)
4									BRACKET, Transmission Mount
	52058882	1				ER0	DG0		
	52058883	1				ER0	DDQ		
5	52002334	1				ER0			ISOLATOR, Transmission Mount
6	06502697	2							NUT, Hex Flange Lock, M12x1.75
7	06101695	4				ER0			NUT, Hex Flange Lock, M8x1.25



CHEROKEE (XJ)

SERIES	LINE	BODY	ENGINE	TRANSMISSION
L = LOWLINE	B = JEEP - 2WD (RHD) U = JEEP - 4WD (RHD) T = LHD - (2WD) J = JEEP - - LHD (4WD)	72 = 2DR (101.4 WB) 74 = 4 DR (101.4 WB)	ENC = 2.5L 4 Cyl Turbo Diesel Engine EPE = Engine - 2.5L Power Tech I-4 Cyl. ERH = 4.0L Power Tech I-6 Engine ENO = Engines - ALL 4/5 CYL Turbo Diesel ERO = Engines - All 4.0L 6 Cyl Gas EPO = ENGINES - ALL 2.5L 4 CYL GAS	DCB = Transmission - 4-Speed Manual, T3340 DDQ = 5-Speed Manual Transmission DDX = 5-Speed HD Manual Transmission DGD = 3-Spd. Automatic 30RH Transmission DGK = 4-Spd. Automatic 42RE Transmission DGS = 4-Speed Automatic AW4 Transmission DGT = 4-Spd. Automatic 46RE Transmission DGW = TRANSMISSION - 4-SPD. AUTOMATIC, 44RE DGX = 4-Speed Automatic Transmission DGY = No Description Available DGZ = Transmission- 4-Spd. Automatic, MT643 DBB = ALL MANUAL TRANSMISSIONS DG0 = TRANSMISSIONS - ALL AUTOMATIC

AR = use ase required - = Non illustrated part

Group - 2.5L4

Engine 2.5L Four Cylinder

Group - 2.5L4 Engine 2.5L Four Cylinder

Illustration Title

Group-Fig. No.

Cylinder Head

Cylinder Head Fig. 2.5L4 - 210

Cylinder Block

Cylinder Block Fig. 2.5L4 - 310

Crankshaft, Piston and Drive Plate

Crankshaft, Piston and Torque Converter Fig. 2.5L4 - 410

Camshafts & Valves

Camshaft and Valves Fig. 2.5L4 - 510

Timing Belt and Cover

Timing Cover Fig. 2.5L4 - 610

Engine Oiling

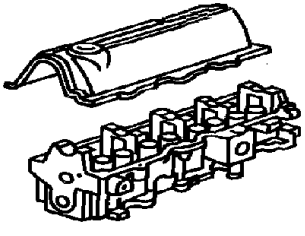
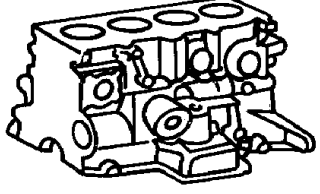
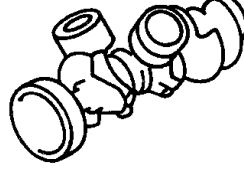
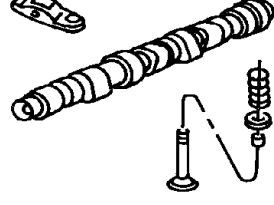
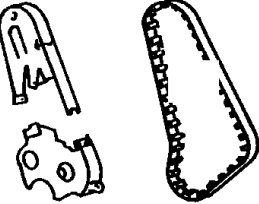
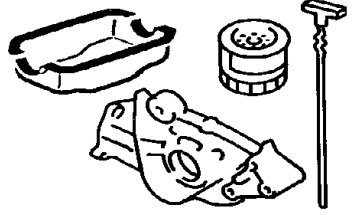
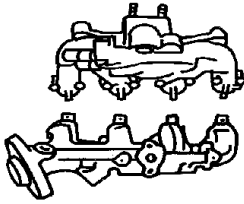
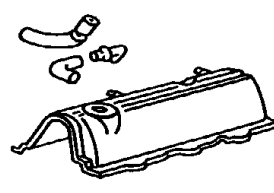
Engine Oiling Fig. 2.5L4 - 710

Manifolds

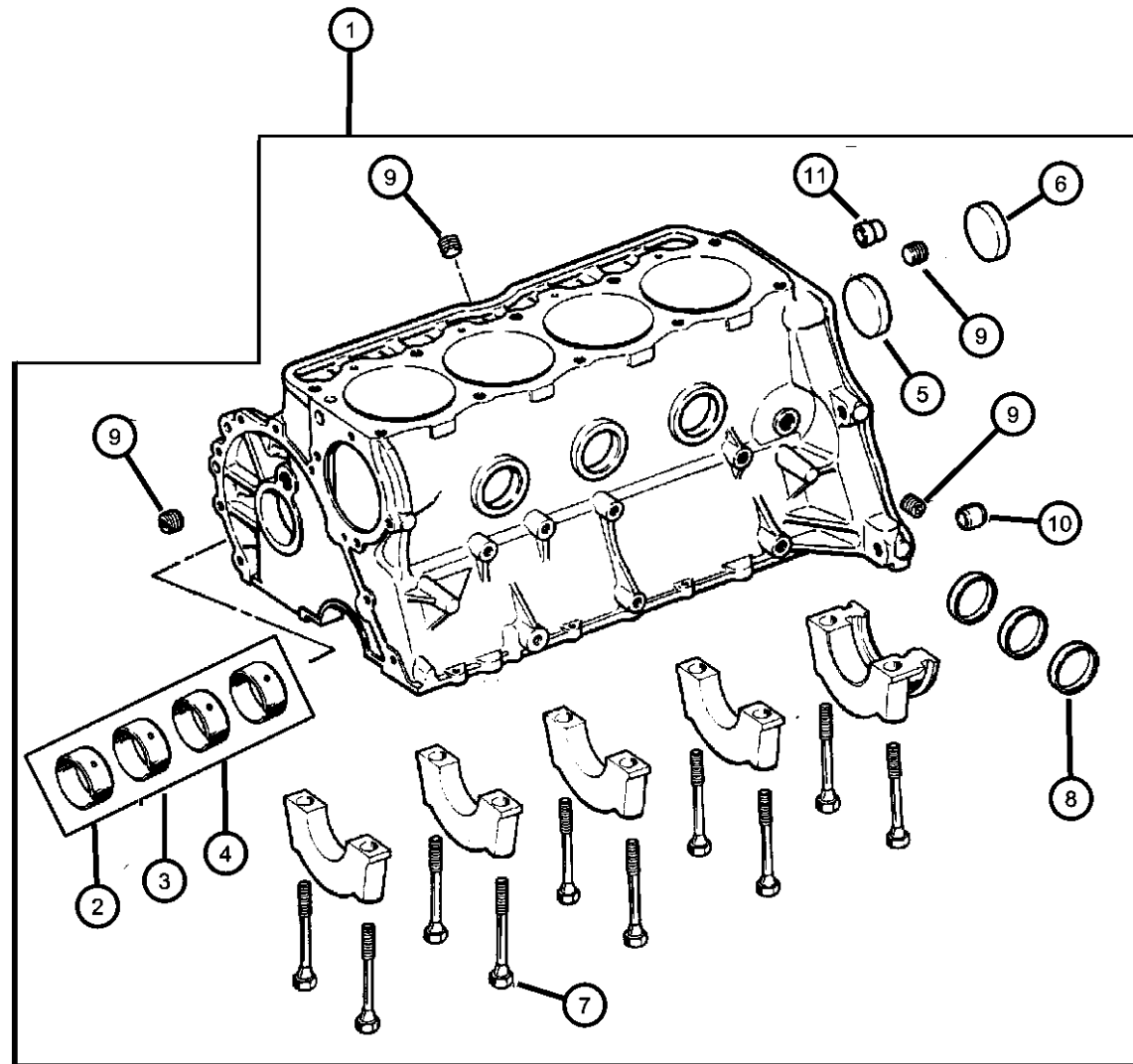
Manifold, Intake and Exhaust Fig. 2.5L4 - 810

Crankcase Ventilation

Crankcase Ventilation Fig. 2.5L4 - 910

<p>2.5L4-200 Cylinder Head</p> 	<p>2.5L4-300 Cylinder Block</p> 	<p>2.5L4-400 Crankshaft, Piston and Drive Plate</p> 	<p>2.5L4-500 Camshafts & Valves</p> 
<p>2.5L4-600 Timing Belt and Cover</p> 	<p>2.5L4-700 Engine Oiling</p> 	<p>2.5L4-800 Manifolds</p> 	<p>2.5L4-900 Crankcase Ventilation</p> 

Cylinder Block
Figure 2.5L4-310



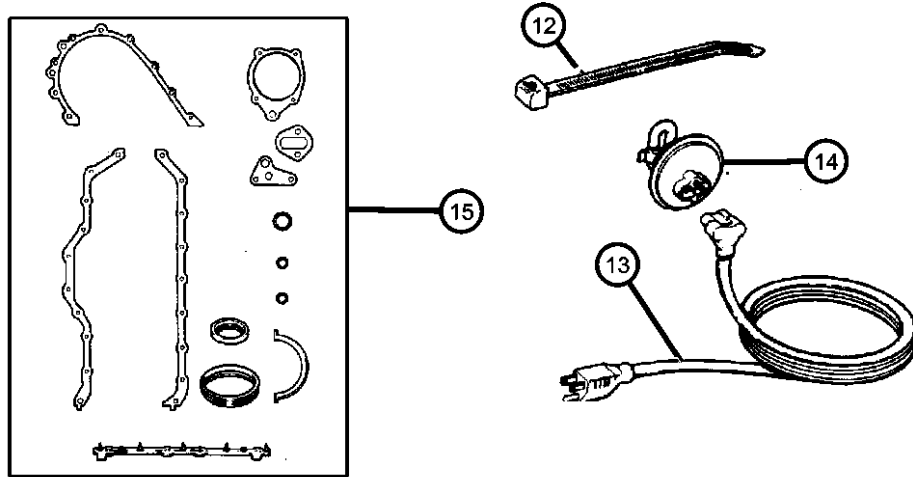
ITEM	PART NUMBER	QTY	LINE	SERIES	BODY	ENGINE	TRANS	TRIM	DESCRIPTION
NOTE: EP0=All 2.5L Gas Engines									
1	04856744	1				EP0			BLOCK, Short
2	J3205711	1				EP0			BEARING KIT, Camshaft, Standard
3	J3205711	1							BEARING PACKAGE, Camshaft, Standard Size, (NOT REQUIRED)
4	J3208985	1				EP0			BEARING KIT, Camshaft, .010 Oversize
5	J3172313	1				EP0			PLUG, Camshaft
6	53020465	1				EP0			PLUG, Cylinder Block
7	J4006948	10				EP0			BOLT, Hex Head, .50-13x2.97
8	J4006580	3				EP0			PLUG, Cylinder Block Oil Hole
9	06034166	3				EP0			PLUG, Cylinder Block Oil Hole
10	J4006953	1				EP0			DOWEL, Block To Cylinder Head
11	J3241332	1				EP0			DOWEL, Clutch Housing To Block
12	J3693058	1			J				STRAP, Retaining
		1			U				
13	53000878	1				EP0			CORD, Engine Block Heater
14	56026888	1				EP0			HEATER, Engine Block
15	04713023	1				EP0			GASKET PACKAGE, Engine

CHEROKEE (XJ)

SERIES LINE
 L = LOWLINE B = JEEP - 2WD (RHD)
 U = JEEP - 4WD (RHD)
 T = LHD - (2WD)
 J = JEEP - - LHD (4WD)

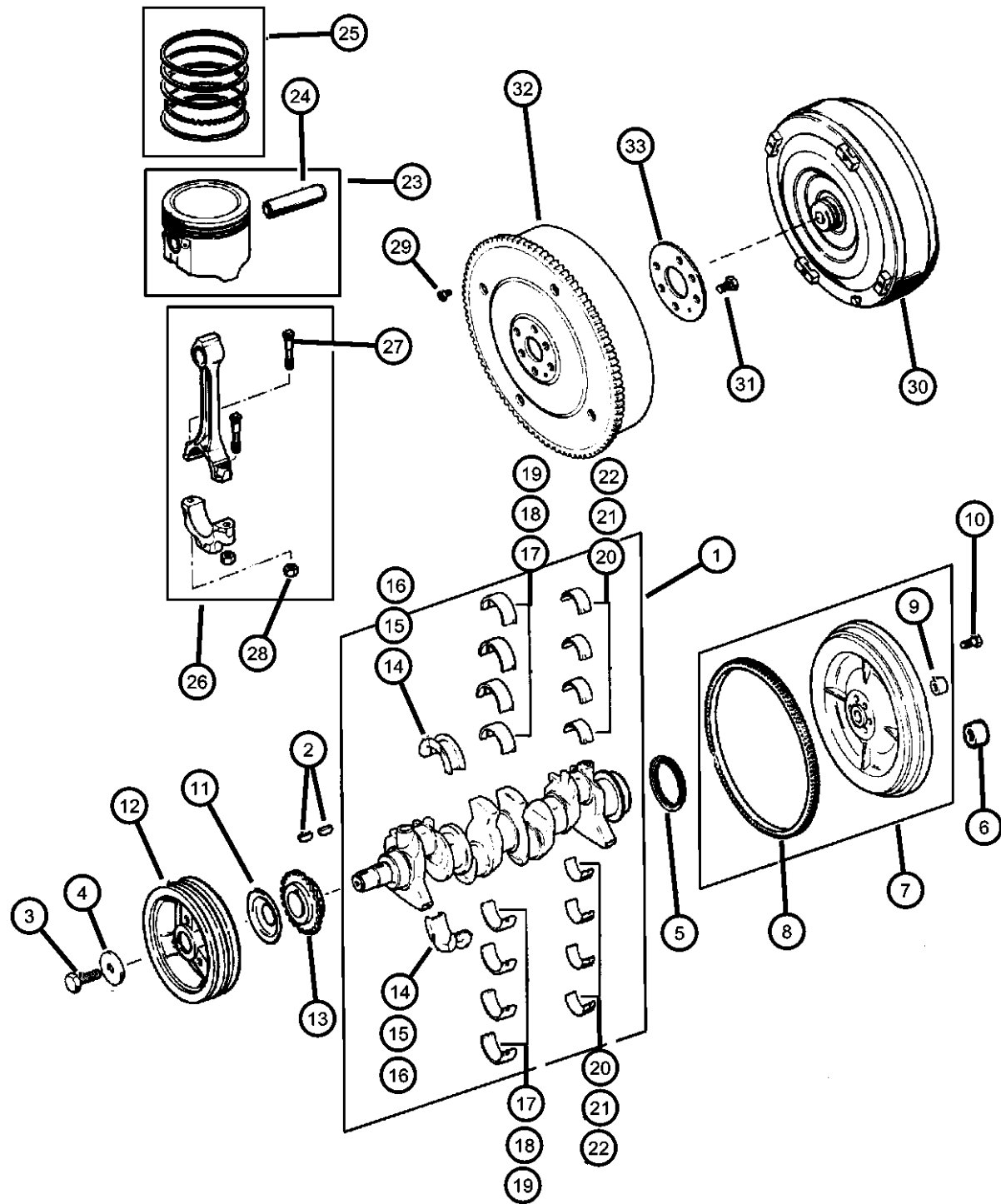
BODY
 72 = 2DR (101.4 WB)
 74 = 4 DR (101.4 WB)

ENGINE TRANSMISSION
 ENC = 2.5L 4 Cyl Turbo Diesel Engine DCB = Transmission - 4-Speed Manual,T3340
 EPE = Engine - 2.5L Power Tech I-4 Cyl. DDQ = 5-Speed Manual Transmission
 ERH = 4.0L Power Tech I-6 Engine DDX = 5-Speed HD Manual Transmission
 ENO = Engines - ALL 4/5 CYL Turbo Diesel DGD = 3-Spd. Automatic 30RH Transmission
 ERO = Engines - All 4.0L 6 Cyl Gas DGK = 4-Spd. Automatic 42RE Transmission
 EP0 = ENGINES - ALL 2.5L 4 CYL GAS DGS = 4-Speed Automatic AW4 Transmission
 DGT = 4-Spd. Automatic 46RE Transmission
 DGW = TRANSMISSION - 4-SPD. AUTOMATIC,44RE
 DGX = 4-Speed Automatic Transmission
 DGY = No Description Available
 DGZ = Transmission- 4-Spd. Automatic,MT643
 DBB = ALL MANUAL TRANSMISSIONS
 DG0 = TRANSMISSIONS - ALL AUTOMATIC



AR = use ase required - = Non illustrated part

Crankshaft, Piston and Torque Converter
Figure 2.5L4-410



ITEM	PART NUMBER	QTY	LINE	SERIES	BODY	ENGINE	TRANS	TRIM	DESCRIPTION
1	04713051	1				EP0			CRANKSHAFT
2	06034749	1				EP0, ER0			KEY, Crankshaft Sprocket
3	06029736	1				EP0, ER0			BOLT
4	J3230155	1				EP0, ER0			WASHER, Plain
5	33004143	1				EP0			SEAL, Rear Main Crankshaft
6	52117830	1				EP0	DG0		ADAPTER, Torque Converter
7	53020578	1				EP0	DBB		FLYWHEEL
8	J3241718	1				EP0	DBB		GEAR, Ring
9	J3250005	1				EP0	DBB		BEARING, Pilot
10	J4007123	6				EP0	DBB		BOLT, Flywheel
11	J3173076	1				EP0, ER0			SLINGER, Oil
12	33002879	1				EP0			DAMPER, Crankshaft
13	33004020	1				EP0			GEAR, Crankshaft
14	83507084	1				EP0, ER0			BEARING PACKAGE, Crankshaft Thrust, Standard Size
15	83507086	AR				EP0, ER0			BEARING PACKAGE, Crankshaft Thrust, .001" Undersize
16	83507090	AR				EP0, ER0			BEARING PACKAGE, Crankshaft Thrust, .010" Undersize
17	83507079	4				EP0			BEARING PACKAGE, Crankshaft, Standard
18	83507080	AR				EP0, ER0			BEARING PACKAGE, Crankshaft, .001 Undersize
19	83507083	AR				EP0, ER0			BEARING PACKAGE, Crankshaft, .010 Undersize

CHEROKEE (XJ)

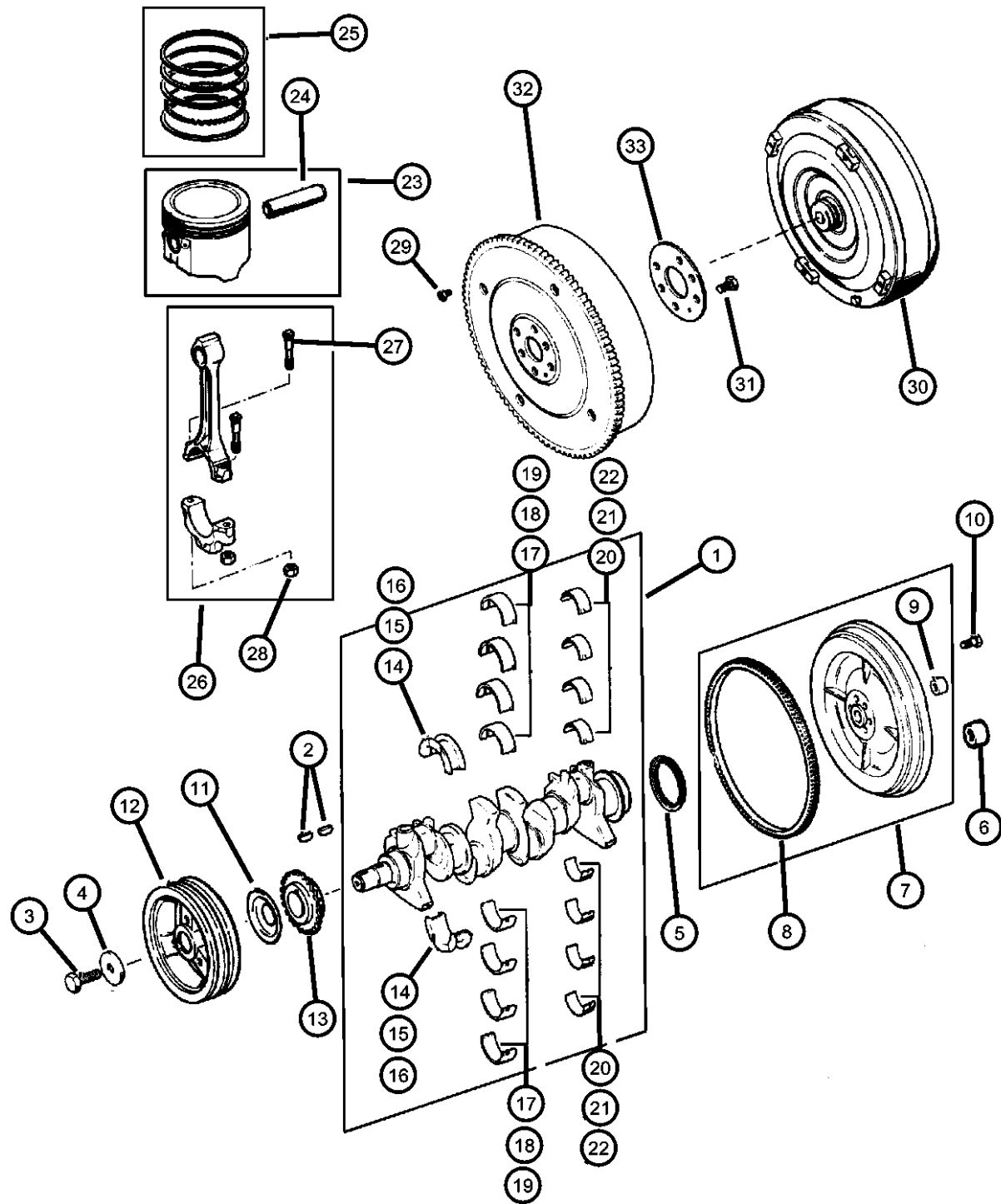
SERIES LINE
 L = LOWLINE B = JEEP - 2WD (RHD)
 U = JEEP - 4WD (RHD)
 T = LHD - (2WD)
 J = JEEP - - LHD (4WD)

BODY
 72 = 2DR (101.4 WB)
 74 = 4 DR (101.4 WB)

ENGINE TRANSMISSION
 ENC = 2.5L 4 Cyl Turbo Diesel Engine
 EPE = Engine - 2.5L Power Tech I-4 Cyl.
 ERH = 4.0L Power Tech I-6 Engine
 ENO = Engines - ALL 4/5 CYL Turbo Diesel
 ERO = Engines - All 4.0L 6 Cyl Gas
 EP0 = ENGINES - ALL 2.5L 4 CYL GAS
 DCB = Transmission - 4-Speed Manual, T3340
 DDQ = 5-Speed Manual Transmission
 DDX = 5-Speed HD Manual Transmission
 DGD = 3-Spd. Automatic 30RH Transmission
 DGK = 4-Spd. Automatic 42RE Transmission
 DGS = 4-Speed Automatic AW4 Transmission
 DGT = 4-Spd. Automatic 46RE Transmission
 DGW = TRANSMISSION - 4-SPD. AUTOMATIC, 44RE
 DGX = 4-Speed Automatic Transmission
 DGY = No Description Available
 DGZ = Transmission- 4-Spd. Automatic, MT643
 DBB = ALL MANUAL TRANSMISSIONS
 DG0 = TRANSMISSIONS - ALL AUTOMATIC

AR = use ase required - = Non illustrated part

Crankshaft, Piston and Torque Converter
Figure 2.5L4-410



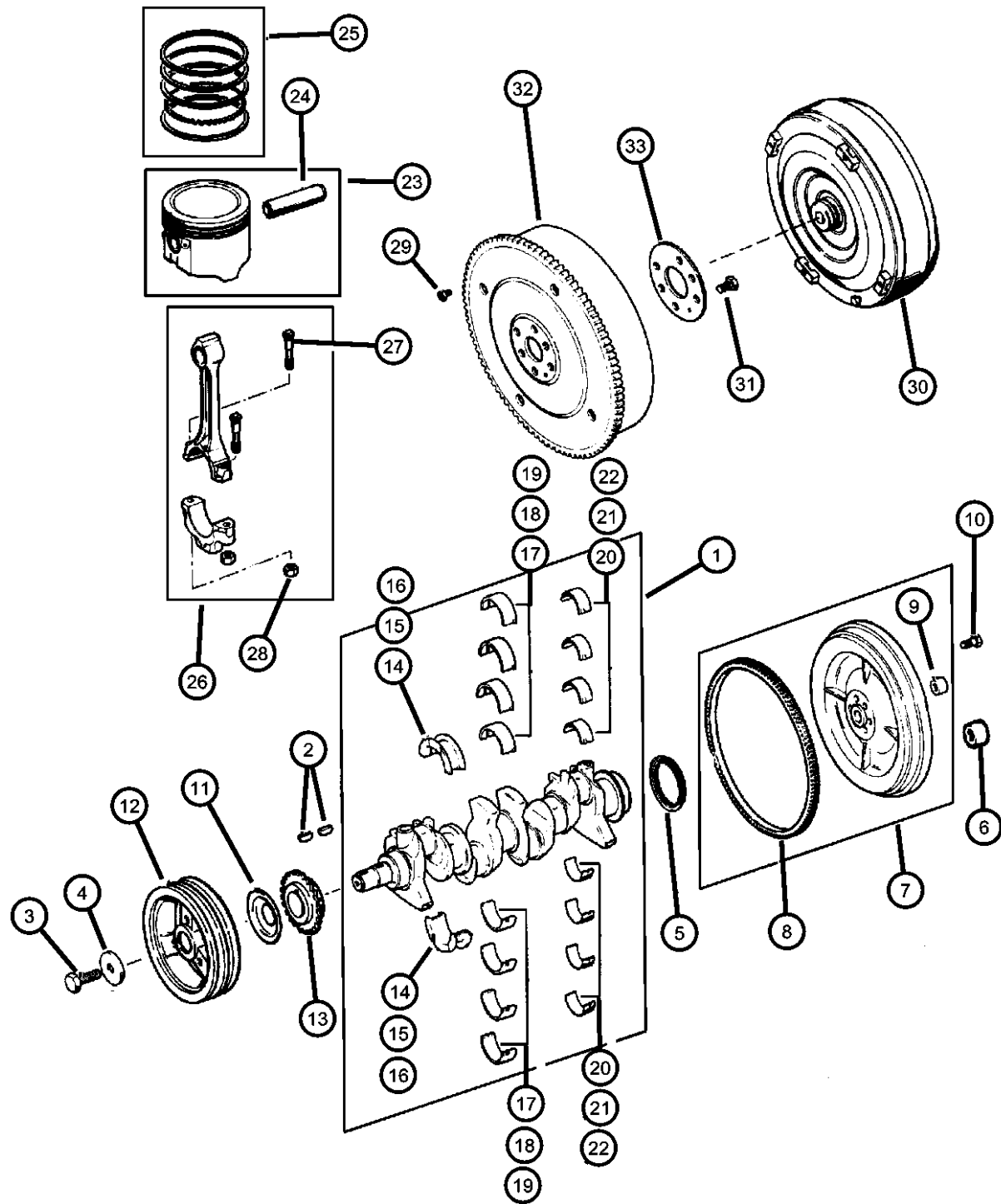
ITEM	PART NUMBER	QTY	LINE	SERIES	BODY	ENGINE	TRANS	TRIM	DESCRIPTION
20	83500300	8				EP0			BEARING KIT, Connecting Rod, Standard
21	83501397	AR				EP0, ERO			BEARING KIT, Connecting Rod, .001 Undersize
22	83500301	AR				EP0, ERO			BEARING KIT, Connecting Rod, .010 Undersize
23									PISTON PIN AND ROD
	04798329	4				EP0			B Size, 3.8742
	04798330	AR				EP0			C Size, 3.8746
	04798331	4				EP0			D Size, 3.8750
	04798332	4				EP0			E Size, 3.8754
	04798333	4				EP0			F Size, 3.8758
24	04798333	4							PIN, Piston, Serviced in Piston Assembly, (NOT SERVICED),
25									RING PACKAGE, Piston, Standard Size Complete Engine
	04798324	1				EP0	DBB		
		1				EP0	DG0		
26		1							ROD, Connecting, Serviced in Piston Assembly, (NOT SERVICED)
27	53020123	8				EP0			BOLT, Connecting Rod
28	J4006385	8				EP0			NUT, Hex Flange, .3437-24
29	06501099	4				EP0	DGD		BOLT, Hex Head, M10x1.50 x 13.20
30	04736388	1				EP0	DGD		CONVERTER, Torque

CHEROKEE (XJ)
SERIES **LINE** **BODY** **ENGINE** **TRANSMISSION**
L = LOWLINE B = JEEP - 2WD (RHD) 72 = 2DR (101.4 WB) ENC = 2.5L 4 Cyl Turbo Diesel Engine DCB = Transmission - 4-Speed Manual, T3340
U = JEEP - 4WD (RHD) T = LHD - (2WD) 74 = 4 DR (101.4 WB) EPE = Engine - 2.5L Power Tech I-4 Cyl. DDQ = 5-Speed Manual Transmission
J = JEEP - - LHD (4WD) J = JEEP - - LHD (4WD) ERH = 4.0L Power Tech I-6 Engine DDG = 5-Speed HD Manual Transmission
DGD = 3-Spd. Automatic 30RH Transmission
ENO = Engines - ALL 4/5 CYL Turbo Diesel DGK = 4-Spd. Automatic 42RE Transmission
ERO = Engines - All 4.0L 6 Cyl Gas DGS = 4-Speed Automatic AW4 Transmission
EP0 = ENGINES - ALL 2.5L 4 CYL GAS DGT = 4-Spd. Automatic 46RE Transmission
DGW = TRANSMISSION - 4-SPD. AUTOMATIC, 44RE
DGX = 4-Speed Automatic Transmission
DGY = No Description Available
DGZ = Transmission- 4-Spd. Automatic, MT643
DBB = ALL MANUAL TRANSMISSIONS
DG0 = TRANSMISSIONS - ALL AUTOMATIC

AR = use ase required - = Non illustrated part

Crankshaft, Piston and Torque Converter
Figure 2.5L4-410

ITEM	PART NUMBER	QTY	LINE	SERIES	BODY	ENGINE	TRANS	TRIM	DESCRIPTION
------	-------------	-----	------	--------	------	--------	-------	------	-------------



R4736388AB

31	06034780	6				EP0	DG0		Mopar Remanufactured Part BOLT, Hex Head, .437-24x1.20
32	52104139	1				EP0	DG0		PLATE, Torque Converter Drive
33	52117830	1				EP0	DG0		ADAPTER, Torque Converter

CHEROKEE (XJ)

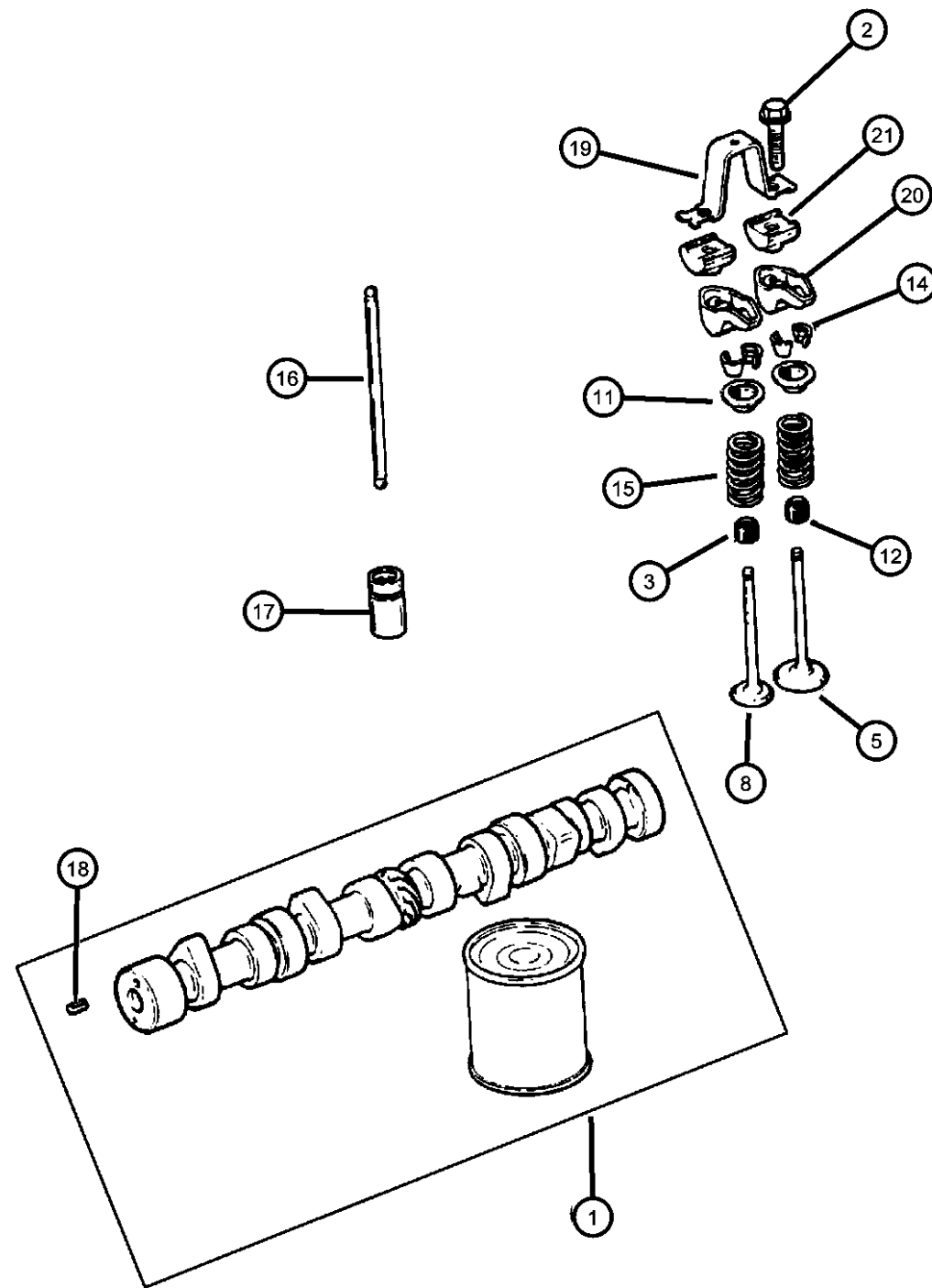
SERIES LINE
 L = LOWLINE B = JEEP - 2WD (RHD)
 U = JEEP - 4WD (RHD)
 T = LHD - (2WD)
 J = JEEP - - LHD (4WD)

BODY
 72 = 2DR (101.4 WB)
 74 = 4 DR (101.4 WB)

ENGINE TRANSMISSION
 ENC = 2.5L 4 Cyl Turbo Diesel Engine DCB = Transmission - 4-Speed Manual,T3340
 EPE = Engine - 2.5L Power Tech I-4 Cyl. DDQ = 5-Speed Manual Transmission
 ERH = 4.0L Power Tech I-6 Engine DDX = 5-Speed HD Manual Transmission
 ENO = Engines - ALL 4/5 CYL Turbo Diesel DGD = 3-Spd. Automatic 30RH Transmission
 ERO = Engines - All 4.0L 6 Cyl Gas DGK = 4-Spd. Automatic 42RE Transmission
 EP0 = ENGINES - ALL 2.5L 4 CYL GAS DGS = 4-Speed Automatic AW4 Transmission
 DGT = 4-Spd. Automatic 46RE Transmission
 DGW = TRANSMISSION - 4-SPD. AUTOMATIC,44RE
 DGX = 4-Speed Automatic Transmission
 DGY = No Description Available
 DGZ = Transmission- 4-Spd. Automatic,MT643
 DBB = ALL MANUAL TRANSMISSIONS
 DG0 = TRANSMISSIONS - ALL AUTOMATIC

AR = use ase required - = Non illustrated part

Camshaft and Valves
Figure 2.5L4-510



ITEM	PART NUMBER	QTY	LINE	SERIES	BODY	ENGINE	TRANS	TRIM	DESCRIPTION
NOTE: EP0=All 2.5L Gas Engines									
1	53020497	1				EP0			CAMSHAFT, Engine
2	J9425708	8				EP0			BOLT, Hex Flange Head, .312-18x1.25
3	53009887	4				EP0			SEAL, Valve Guide, Standard
-4	33002733	AR				EP0, ER0			SEAL, Valve Guide, .015" Oversize
5	33003515	4				EP0			VALVE, Intake, Standard, Standard
-6	33003519	AR				EP0, ER0			VALVE, Intake, .003" O/S
-7	33003575	AR				EP0, ER0			VALVE, Intake, .015" O/S
8	04637537	4				EP0			VALVE, Exhaust, Standard, Standard
-9	04637538	AR				EP0, ER0			VALVE, Exhaust, .003" O/S
-10	04637539	AR				EP0, ER0			VALVE, Exhaust, .015 Oversize
11	33004626	8				EP0			RETAINER, Valve Spring
12	53009886	4				EP0			SEAL, Valve Guide
-13	33003016	AR				EP0, ER0			SEAL, Valve Guide, .015" Oversize
14	33003521	16				EP0			LOCK, Valve Spring Retainer
15	53020556	8				EP0			SPRING, Valve
16	J3241709	8				EP0			PUSH ROD, FRONT SUSPENSION
17	04740269	8				EP0			TAPPET, Valve
18	J0456384	1				EP0			DOWEL, Camshaft Sprocket
19	J3236513	4				EP0			BRIDGE, Rocker Arm
20	J3242393	8				EP0			ROCKER ARM, Valve
21	J3235090	8				EP0			PIVOT, Rocker Arm

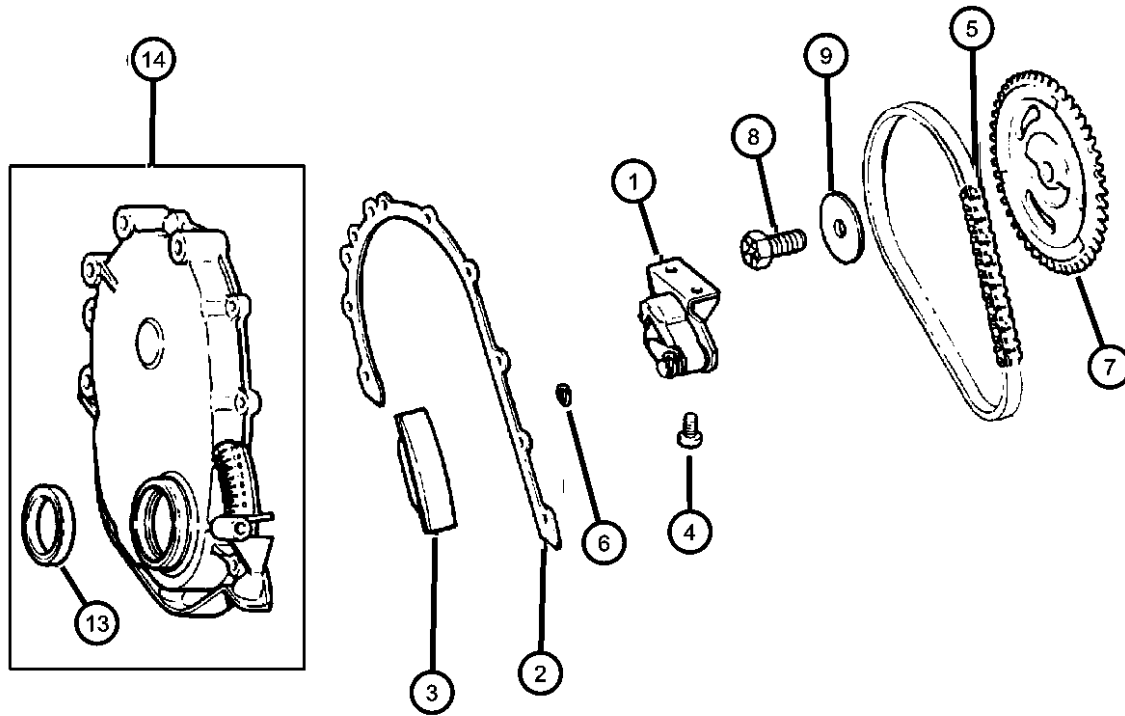
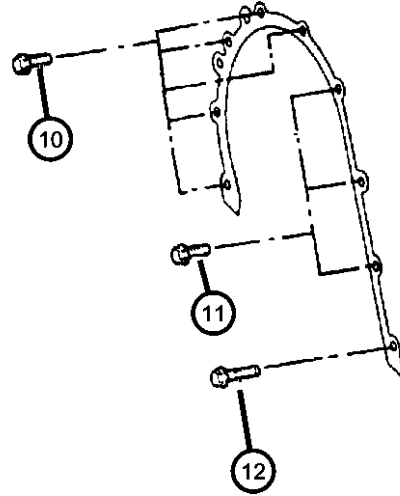
CHEROKEE (XJ)

SERIES	LINE	BODY	ENGINE	TRANSMISSION
L = LOWLINE	B = JEEP - 2WD (RHD) U = JEEP - 4WD (RHD) T = LHD - (2WD) J = JEEP - - LHD (4WD)	72 = 2DR (101.4 WB) 74 = 4 DR (101.4 WB)	ENC = 2.5L 4 Cyl Turbo Diesel Engine EPE = Engine - 2.5L Power Tech I-4 Cyl. ERH = 4.0L Power Tech I-6 Engine ENO = Engines - ALL 4/5 CYL Turbo Diesel ERO = Engines - All 4.0L 6 Cyl Gas EP0 = ENGINES - ALL 2.5L 4 CYL GAS	DCB = Transmission - 4-Speed Manual,T3340 DDQ = 5-Speed Manual Transmission DDX = 5-Speed HD Manual Transmission DGD = 3-Spd. Automatic 30RH Transmission DGK = 4-Spd. Automatic 42RE Transmission DGS = 4-Speed Automatic AW4 Transmission DGT = 4-Spd. Automatic 46RE Transmission DGW = TRANSMISSION - 4-SPD. AUTOMATIC,44RE DGX = 4-Speed Automatic Transmission DGY = No Description Available DGZ = Transmission- 4-Spd. Automatic,MT643 DBB = ALL MANUAL TRANSMISSIONS DGO = TRANSMISSIONS - ALL AUTOMATIC

AR = use ase required - = Non illustrated part

Timing Cover
Figure 2.5L4-610

ITEM	PART NUMBER	QTY	LINE	SERIES	BODY	ENGINE	TRANS	TRIM	DESCRIPTION
NOTE: EP0=All 2.5L Gas Engines									
1	33003421	1				EP0			TENSIONER, Belt
2	53020487	1				EP0, ER0			GASKET, Front Cover
3	33003446	1				EP0, ER0			SNUBBER, Timing Chain
4	J4006708	2				EP0			SCREW, Pan Head, .312-18x.56
5	J3242300	1				EP0			CHAIN, Timing
6	J3242300	1							CLIP, Serviced in Tensioner Assembly, (NOT SERVICED)
7	J3242280	1				EP0			GEAR, Camshaft
8	J3243156	1				EP0			BOLT, Hex Flange Head, .50-20x1.38
9	J3173284	1				EP0, ER0			WASHER, Flat, .206 Diameter
10	J4006906	5				EP0, ER0			BOLT, Hex
11	06034604	2				EP0			SCREW
12	06034914	1				EP0, ER0			SCREW
13	33004681	1				EP0, ER0			SEAL, Front Main Crankshaft
14	53020222	1				EP0, ER0			COVER, Timing Belt



CHEROKEE (XJ)

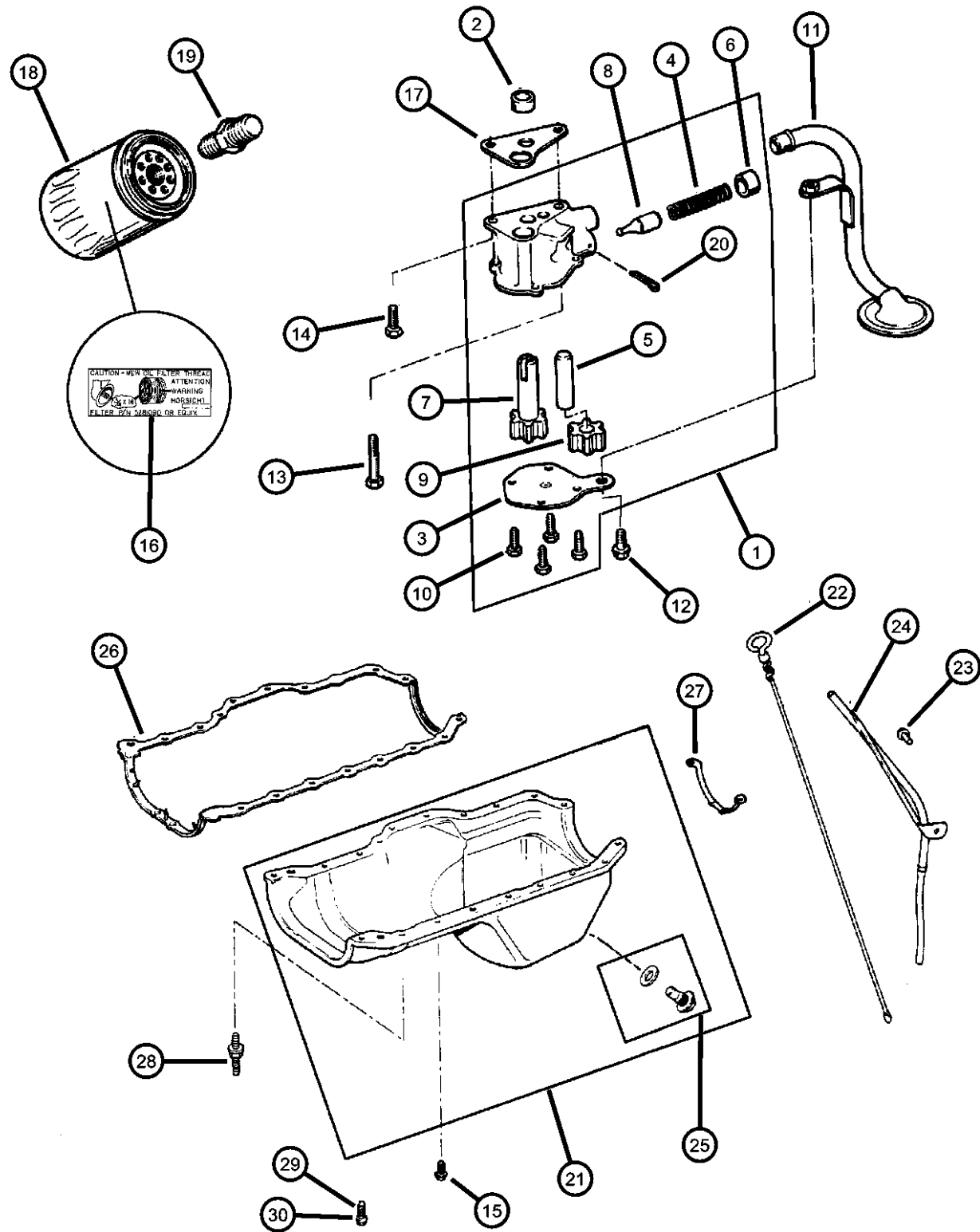
SERIES LINE
L = LOWLINE B = JEEP - 2WD (RHD)
U = JEEP - 4WD (RHD)
T = LHD - (2WD)
J = JEEP - - LHD (4WD)

BODY
72 = 2DR (101.4 WB)
74 = 4 DR (101.4 WB)

ENGINE TRANSMISSION
ENC = 2.5L 4 Cyl Turbo Diesel Engine
EPE = Engine - 2.5L Power Tech I-4 Cyl.
ERH = 4.0L Power Tech I-6 Engine
ENO = Engines - ALL 4/5 CYL Turbo Diesel
ERO = Engines - All 4.0L 6 Cyl Gas
EP0 = ENGINES - ALL 2.5L 4 CYL GAS
DCB = Transmission - 4-Speed Manual, T3340
DDQ = 5-Speed Manual Transmission
DDX = 5-Speed HD Manual Transmission
DGD = 3-Spd. Automatic 30RH Transmission
DGK = 4-Spd. Automatic 42RE Transmission
DGS = 4-Speed Automatic AW4 Transmission
DGT = 4-Spd. Automatic 46RE Transmission
DGW = TRANSMISSION - 4-SPD. AUTOMATIC, 44RE
DGX = 4-Speed Automatic Transmission
DGY = No Description Available
DGZ = Transmission- 4-Spd. Automatic, MT643
DBB = ALL MANUAL TRANSMISSIONS
DGO = TRANSMISSIONS - ALL AUTOMATIC

AR = use ase required - = Non illustrated part

Engine Oiling
Figure 2.5L4-710



ITEM	PART NUMBER	QTY	LINE	SERIES	BODY	ENGINE	TRANS	TRIM	DESCRIPTION
------	-------------	-----	------	--------	------	--------	-------	------	-------------

NOTE: All 2.5L Gas Engines

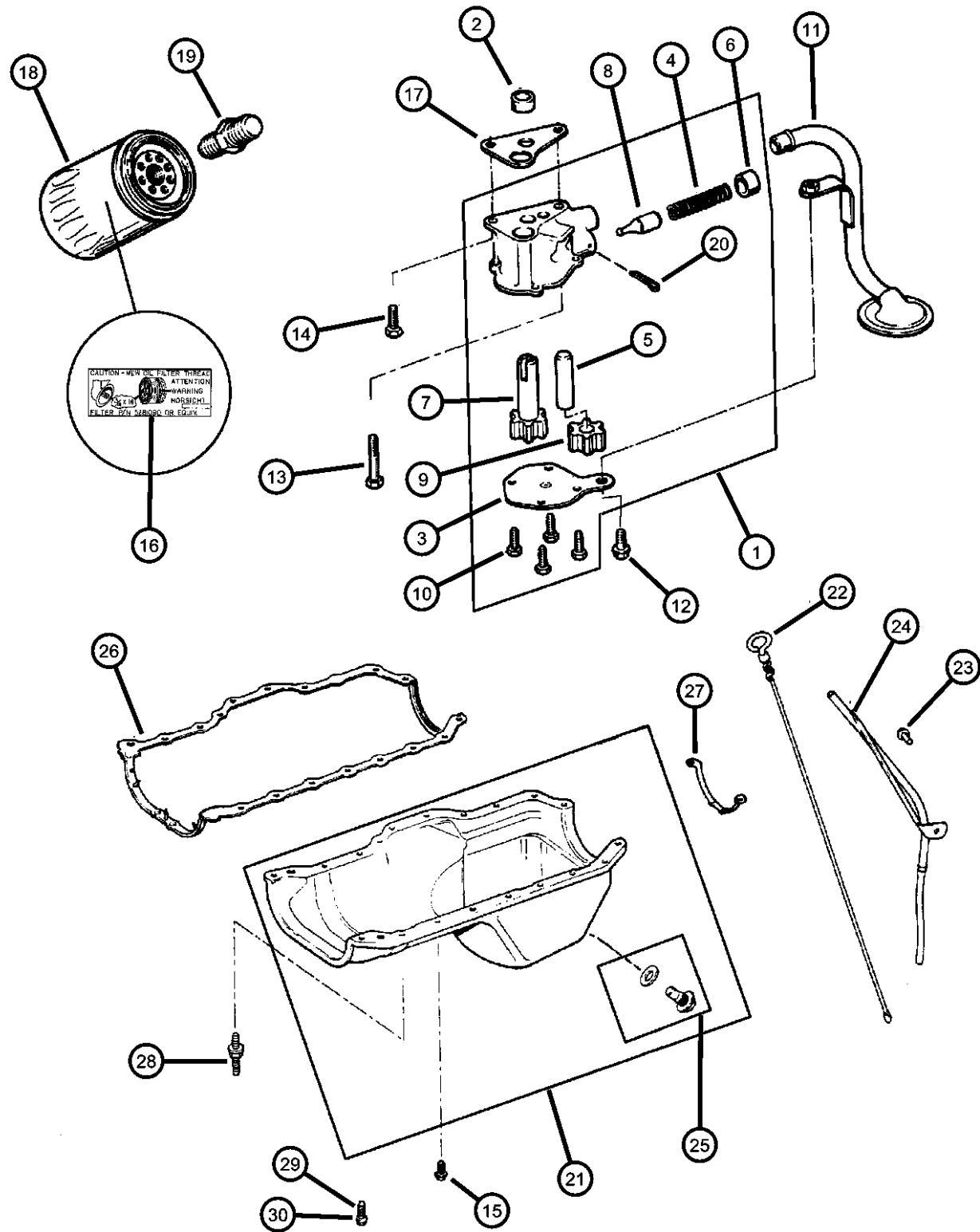
1	J3241399	1				EP0			PUMP, Engine Oil
2	J4005149	1				EP0, ERO			DOWEL, Oil Pump
3	J3241733	1				EP0			COVER, Engine Oil Pump
4	J3239668	1				EP0			SPRING, Oil Pressure Relief Valve
5	J3171956	1				EP0			SHAFT, Oil Pump
6	J3171958	1				EP0			RETAINER, Oil Release Valve
7	J3172334	1				EP0			GEAR, Oil Pump
8	J3188661	1				EP0			PLUNGER, Oil Pressure Relief Valve
9	J3196843	1				EP0			GEAR, Oil Pump Driven
10	J9416852	4				EP0			SCREW, Hex Flange Head, .25-20x.50
11	53020564	1				EP0			TUBE, Oil Pump Inlet
12	J9419683	1				EP0			BOLT, Hex Flange Head, .312-18x.625
13	00154593	1				EP0, ERO			SCREW, Hex Head Coned, .312-18x2.625
14	06022235	1				EP0, ERO			BOLT AND WASHER, Hex Head, .312-18x1.00
15	06034732	13				EP0			SCREW AND WASHER, Hex Head, .25-20x.545
16	53008907	1							LABEL, Oil Filter Thread I.D.
17	J3172332	1				EP0, ERO			GASKET, Oil Pump
18	05281090	1				EP0, ERO			FILTER, Engine Oil
	OFE00292								Canadian Aftermarket Part

CHEROKEE (XJ)

SERIES	LINE	BODY	ENGINE	TRANSMISSION
L = LOWLINE	B = JEEP - 2WD (RHD) U = JEEP - 4WD (RHD) T = LHD - (2WD) J = JEEP - - LHD (4WD)	72 = 2DR (101.4 WB) 74 = 4 DR (101.4 WB)	ENC = 2.5L 4 Cyl Turbo Diesel Engine EPE = Engine - 2.5L Power Tech I-4 Cyl. ERH = 4.0L Power Tech I-6 Engine ENO = Engines - ALL 4/5 CYL Turbo Diesel ERO = Engines - All 4.0L 6 Cyl Gas EPO = ENGINES - ALL 2.5L 4 CYL GAS	DCB = Transmission - 4-Speed Manual, T3340 DDQ = 5-Speed Manual Transmission DDX = 5-Speed HD Manual Transmission DGD = 3-Spd. Automatic 30RH Transmission DGK = 4-Spd. Automatic 42RE Transmission DGS = 4-Speed Automatic AW4 Transmission DGT = 4-Spd. Automatic 46RE Transmission DGW = TRANSMISSION - 4-SPD. AUTOMATIC, 44RE DGX = 4-Speed Automatic Transmission DGY = No Description Available DGZ = Transmission- 4-Spd. Automatic, MT643 DBB = ALL MANUAL TRANSMISSIONS DGO = TRANSMISSIONS - ALL AUTOMATIC

AR = use ase required - = Non illustrated part

Engine Oiling
Figure 2.5L4-710



ITEM	PART NUMBER	QTY	LINE	SERIES	BODY	ENGINE	TRANS	TRIM	DESCRIPTION
	05281090BA								BULK PACK (12)
	77060018								Performance Mobil 1, 15W - 50 Tri-Synthetic Engine Oil-Recommended Fill for 6.1L & 8.3L
	P5007323								Performance Mobil 1, 5W - 30 Tri-Synthetic Engine Oil, Quart
19	53007563	1				EP0			CONNECTOR, Oil Filter
20	J0271448	1				EP0			PIN, Roll, 5/32" x 1.00"
21	53020560	1				EP0			PAN, Engine Oil
22	53010444	1				EP0			INDICATOR, Engine Oil Level
23	06035664	1				EP0, ERO			STUD, .312-18x1.560
24	53010343	1				EP0			TUBE, Oil Filler
25	06035417	1				EP0			PLUG, Oil Drain
26	53007567	1				EP0			GASKET, Oil Pan
27	J3243116	1				EP0			SUPPORT, Engine Oil Pan
28	06034734	6				EP0			BOLT, Double Stud Hex, .250-20x1.437 & .250-20 x.700
29	06034483	3				EP0			SCREW, Hex Head Coned, .312-18x.875
30	06034733	1				EP0			STUD, .312-18/.250-20x1.680

CHEROKEE (XJ)

SERIES LINE
 L = LOWLINE B = JEEP - 2WD (RHD)
 U = JEEP - 4WD (RHD)
 T = LHD - (2WD)
 J = JEEP - - LHD (4WD)

BODY
 72 = 2DR (101.4 WB)
 74 = 4 DR (101.4 WB)

ENGINE TRANSMISSION
 ENC = 2.5L 4 Cyl Turbo Diesel Engine DCB = Transmission - 4-Speed Manual,T3340
 EPE = Engine - 2.5L Power Tech I-4 Cyl. DDQ = 5-Speed Manual Transmission
 ERH = 4.0L Power Tech I-6 Engine DDX = 5-Speed HD Manual Transmission
 ENO = Engines - ALL 4/5 CYL Turbo Diesel DGD = 3-Spd. Automatic 30RH Transmission
 ERO = Engines - All 4.0L 6 Cyl Gas DGK = 4-Spd. Automatic 42RE Transmission
 EP0 = ENGINES - ALL 2.5L 4 CYL GAS DGS = 4-Speed Automatic AW4 Transmission
 DGT = 4-Spd. Automatic 46RE Transmission
 DGW = TRANSMISSION - 4-SPD. AUTOMATIC,44RE
 DGX = 4-Speed Automatic Transmission
 DGY = No Description Available
 DGZ = Transmission- 4-Spd. Automatic,MT643
 DBB = ALL MANUAL TRANSMISSIONS
 DG0 = TRANSMISSIONS - ALL AUTOMATIC

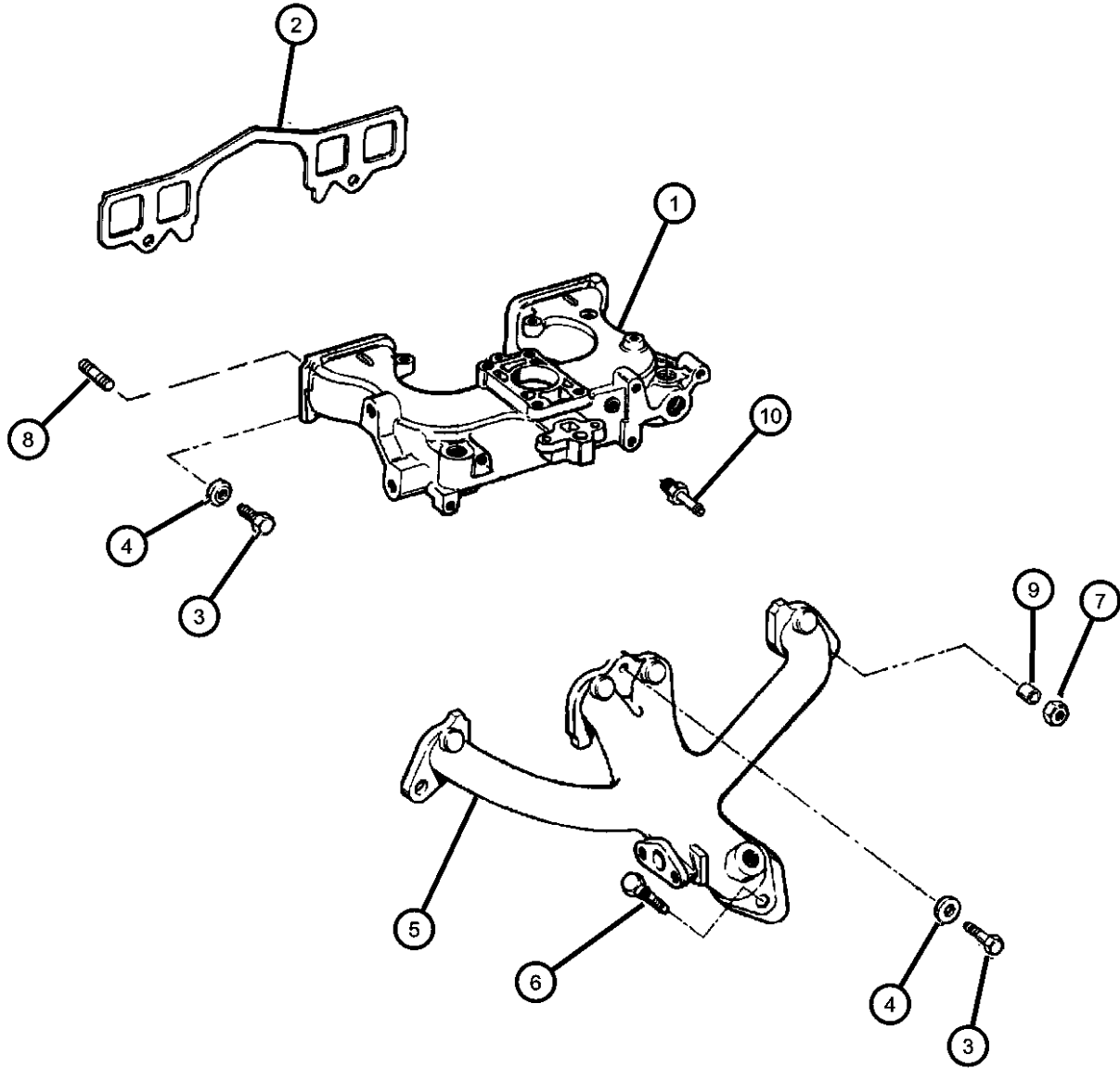
AR = use ase required - = Non illustrated part

**Manifold, Intake and Exhaust
Figure 2.5L4-810**

ITEM	PART NUMBER	QTY	LINE	SERIES	BODY	ENGINE	TRANS	TRIM	DESCRIPTION
------	-------------	-----	------	--------	------	--------	-------	------	-------------

NOTE: EP0=All 2.5L Gas Engines

1	53010245	1				EP0			MANIFOLD, Intake
2	53020112	1				EP0			GASKET, Intake Manifold
3	J0186622	4				EP0			BOLT AND RETAINER, Hex Head
4	33004255	7				EP0			WASHER, Manifold Retaining
5	53008860	1				EP0			MANIFOLD, Exhaust
6	J4007109	2				EP0			STUD, .375-16x1.69
7	06034984	2				EP0, ERO			NUT, Hex Flange Lock, .375-24
8	53010165	2				EP0, ERO			STUD, .375-16/.375-24x1.75
9	33003332	2				EP0			SPACER, Exhaust Manifold
10									FITTING, Vacuum
	04854194	1				EP0			Duty Cycle Purge Solenoid
		1				EP0			Power Brake
		1				EP0			Crankcase Ventilation
	53020027	1				EP0			Heater Control



CHEROKEE (XJ)

SERIES LINE
 L = LOWLINE B = JEEP - 2WD (RHD)
 U = JEEP - 4WD (RHD)
 T = LHD - (2WD)
 J = JEEP - - LHD (4WD)

BODY
 72 = 2DR (101.4 WB)
 74 = 4 DR (101.4 WB)

ENGINE TRANSMISSION
 ENC = 2.5L 4 Cyl Turbo Diesel Engine
 EPE = Engine - 2.5L Power Tech I-4 Cyl.
 ERH = 4.0L Power Tech I-6 Engine
 ENO = Engines - ALL 4/5 CYL Turbo Diesel
 ERO = Engines - All 4.0L 6 Cyl Gas
 EP0 = ENGINES - ALL 2.5L 4 CYL GAS
 DCB = Transmission - 4-Speed Manual,T3340
 DDQ = 5-Speed Manual Transmission
 DDX = 5-Speed HD Manual Transmission
 DGD = 3-Spd. Automatic 30RH Transmission
 DGK = 4-Spd. Automatic 42RE Transmission
 DGS = 4-Speed Automatic AW4 Transmission
 DGT = 4-Spd. Automatic 46RE Transmission
 DGW = TRANSMISSION - 4-SPD. AUTOMATIC,44RE
 DGX = 4-Speed Automatic Transmission
 DGY = No Description Available
 DGZ = Transmission- 4-Spd. Automatic,MT643
 DBB = ALL MANUAL TRANSMISSIONS
 DG0 = TRANSMISSIONS - ALL AUTOMATIC

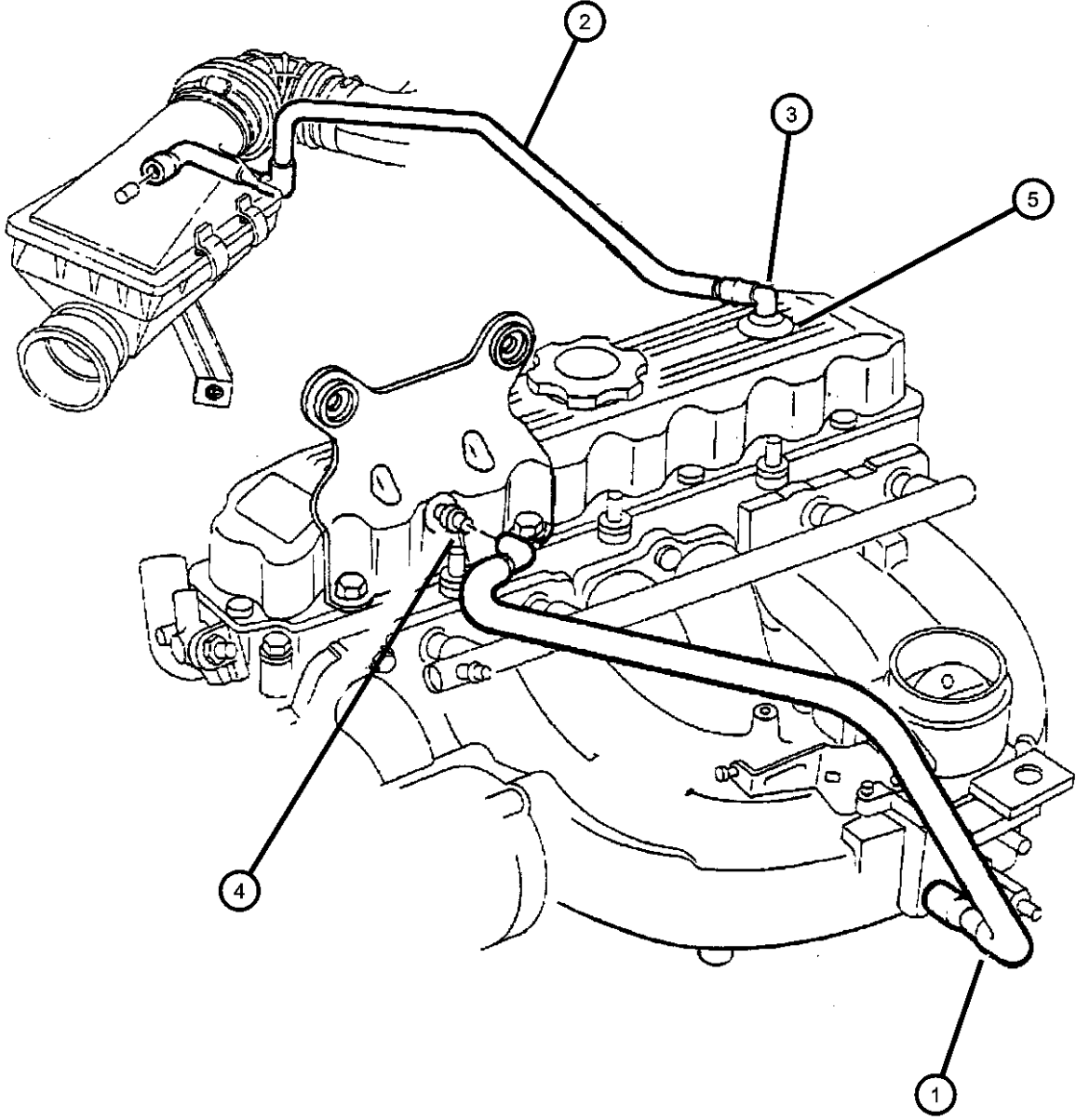
AR = use ase required - = Non illustrated part

1998 XJ

Crankcase Ventilation

Figure 2.5L4-910

ITEM	PART NUMBER	QTY	LINE	SERIES	BODY	ENGINE	TRANS	TRIM	DESCRIPTION
NOTE: EP0=All 2.5L Gas Engines									
1	04854072	1				EP0			TUBE, Vent
2	04854192	1				EP0			TUBE, Crankcase Vent To Air Cleaner
3	53030991	1				EP0			FITTING, Crankcase Vent Tube
4	33004175	1				EP0			CONNECTOR, Vacuum Hose
5	02946079	1				EP0			GROMMET, Crankcase Vent



CHEROKEE (XJ)

SERIES	LINE	BODY	ENGINE	TRANSMISSION
L = LOWLINE	B = JEEP - 2WD (RHD) U = JEEP - 4WD (RHD) T = LHD - (2WD) J = JEEP - - LHD (4WD)	72 = 2DR (101.4 WB) 74 = 4 DR (101.4 WB)	ENC = 2.5L 4 Cyl Turbo Diesel Engine EPE = Engine - 2.5L Power Tech I-4 Cyl. ERH = 4.0L Power Tech I-6 Engine ENO = Engines - ALL 4/5 CYL Turbo Diesel ERO = Engines - All 4.0L 6 Cyl Gas EP0 = ENGINES - ALL 2.5L 4 CYL GAS	DCB = Transmission - 4-Speed Manual,T3340 DDQ = 5-Speed Manual Transmission DDX = 5-Speed HD Manual Transmission DGD = 3-Spd. Automatic 30RH Transmission DGK = 4-Spd. Automatic 42RE Transmission DGS = 4-Speed Automatic AW4 Transmission DGT = 4-Spd. Automatic 46RE Transmission DGW = TRANSMISSION - 4-SPD. AUTOMATIC,44RE DGX = 4-Speed Automatic Transmission DGY = No Description Available DGZ = Transmission- 4-Spd. Automatic,MT643 DBB = ALL MANUAL TRANSMISSIONS DGO = TRANSMISSIONS - ALL AUTOMATIC

AR = use ase required - = Non illustrated part

Group - 4.0L

Engine 4.0L Six Cylinder

Group - 4.0L Engine 4.0L Six Cylinder

Illustration Title

Group-Fig. No.

Cylinder Head

Cylinder Head Fig. 4.0L - 210

Cylinder Block

Cylinder Block Fig. 4.0L - 310

Crankshaft, Piston and Torque Converter

Crankshaft, Piston and Torque Converter Fig. 4.0L - 410

Camshafts & Valves

Camshaft and Valves Fig. 4.0L - 510

Timing Belt and Cover

Timing Cover Fig. 4.0L - 610

Engine Oiling

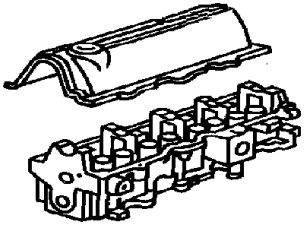
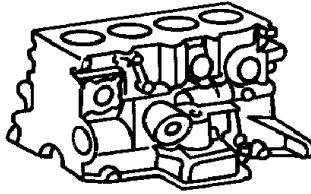
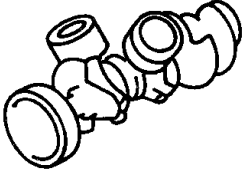
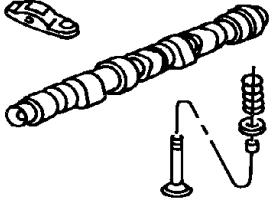
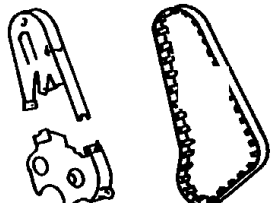
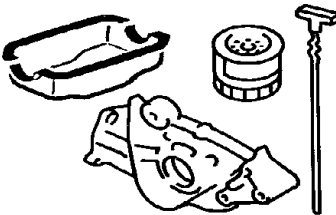
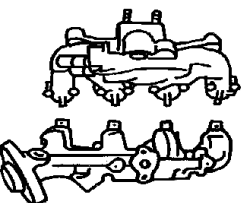
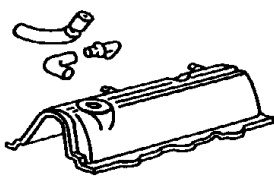
Engine Oiling Fig. 4.0L - 710

Manifolds

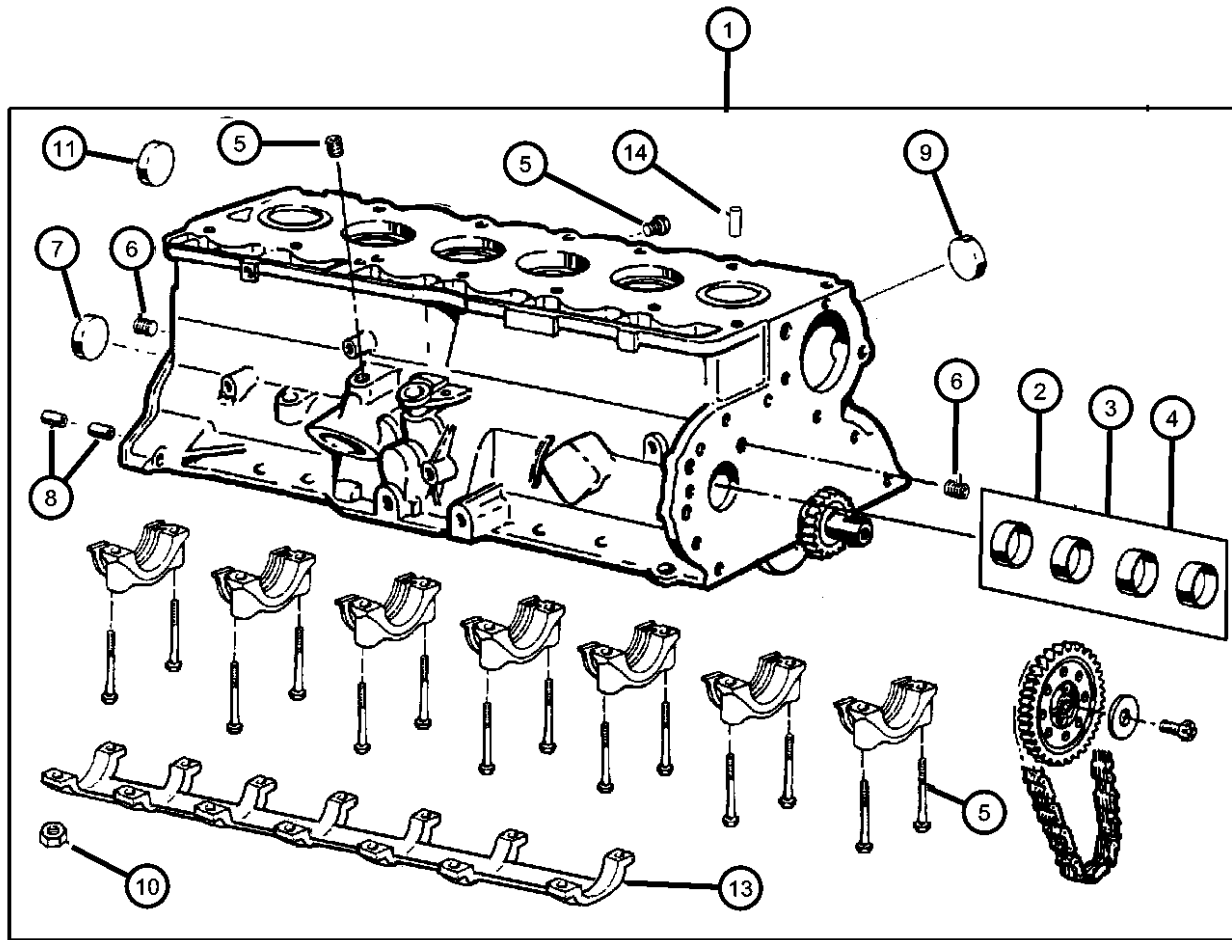
Manifold, Intake and Exhaust Fig. 4.0L - 810

Crankcase Ventilation

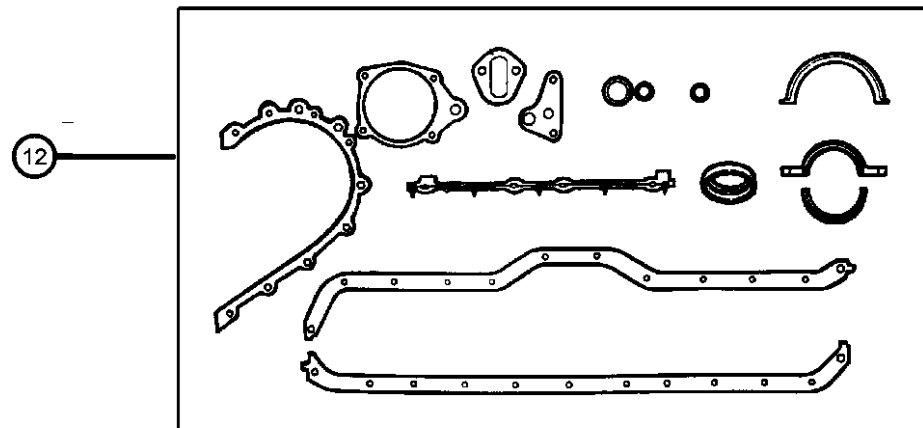
Crankcase Ventilation Fig. 4.0L - 910

<p>4.0L-200 Cylinder Head</p> 	<p>4.0L-300 Cylinder Block</p> 	<p>4.0L-400 Crankshaft, Piston and Torque Converter</p> 	<p>4.0L-500 Camshafts & Valves</p> 
<p>4.0L-600 Timing Belt and Cover</p> 	<p>4.0L-700 Engine Oiling</p> 	<p>4.0L-800 Manifolds</p> 	<p>4.0L-900 Crankcase Ventilation</p> 

**Cylinder Block
Figure 4.0L-310**



ITEM	PART NUMBER	QTY	LINE	SERIES	BODY	ENGINE	TRANS	TRIM	DESCRIPTION
NOTE: ER0=All 4.0L Engines DBB=All Manual Transmissions									
1	04883025 R9640421AA R2640469AB	1				ER0			BLOCK, Short Mopar Remanufactured Short Block Mopar Remanufactured Long Block w/ Head(s)
2	J3205711	1				ER0			BEARING KIT, Camshaft, Standard
3	J3205711	1							BEARING PACKAGE, Camshaft, Standard Size, (NOT REQUIRED)
4	J3208985	1				ER0			BEARING KIT, Camshaft, .010 Oversize
5	06035207	14				ER0			STUD, .500-13/375-16x3.97
6	06034166	3				ER0			PLUG, Cylinder Block Oil Hole
7	J3172313	1				EP0			PLUG, Camshaft
8	J4005148	2				ER0			DOWEL, Transmission
9	J3105394	6				ER0			PLUG, Cylinder Block Oil Hole
10	00152474	14				ER0			NUT, Hex Flange Lock, .375-16
11	53020465	1				EP0			PLUG, Cylinder Block
12	04740008AB	1				ER0			GASKET PACKAGE, Engine
13	53020566	1				ER0			BRACE, Main Bearing Cap
14	00141215	2				ER0			DOWEL, .312 x .500
-15	53009803	1				ER0			HEATER, Engine Block

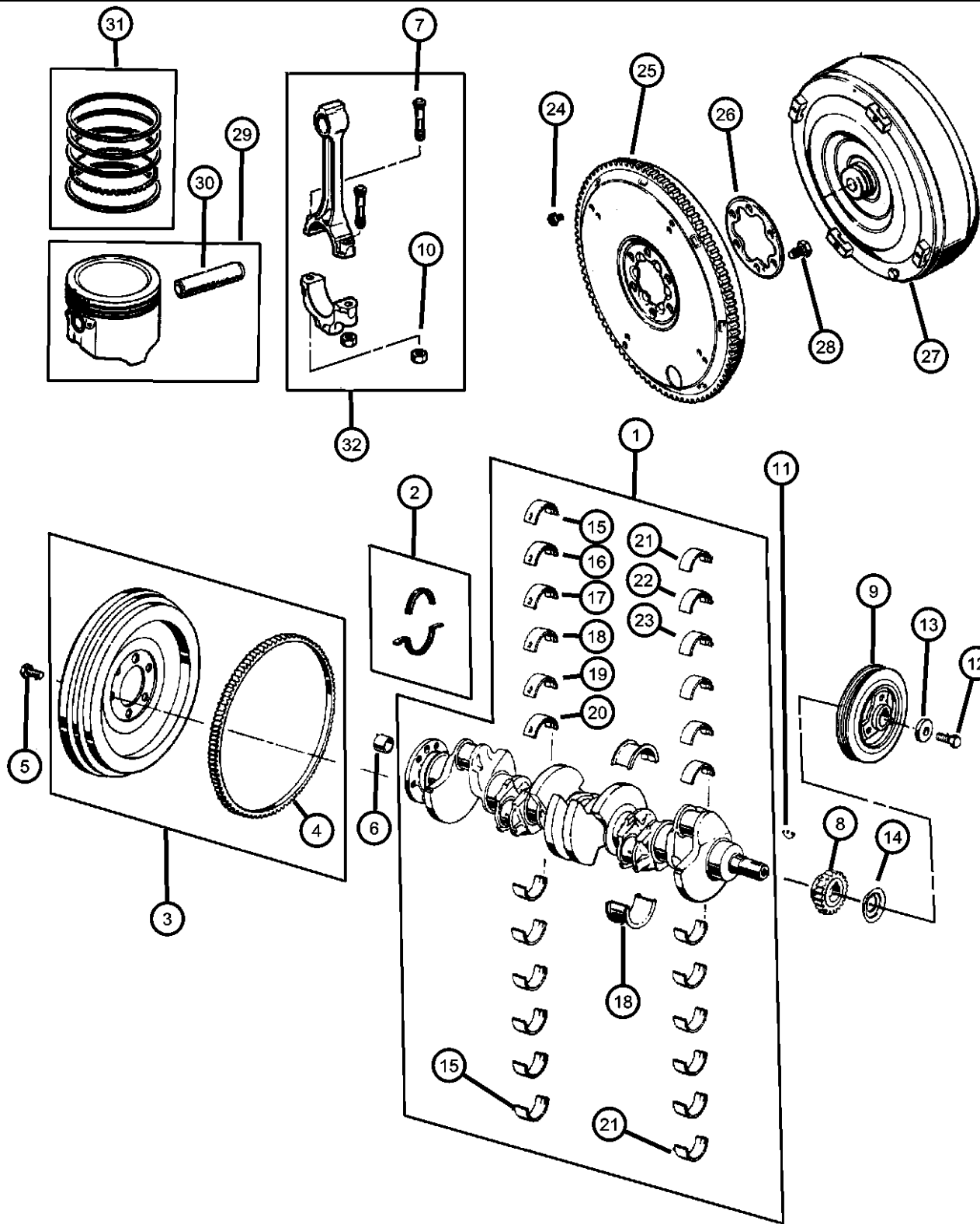


CHEROKEE (XJ)

SERIES	LINE	BODY	ENGINE	TRANSMISSION
L = LOWLINE	B = JEEP - 2WD (RHD) U = JEEP - 4WD (RHD) T = LHD - (2WD) J = JEEP - - LHD (4WD)	72 = 2DR (101.4 WB) 74 = 4 DR (101.4 WB)	ENC = 2.5L 4 Cyl Turbo Diesel Engine EPE = Engine - 2.5L Power Tech I-4 Cyl. ERH = 4.0L Power Tech I-6 Engine ENO = Engines - ALL 4/5 CYL Turbo Diesel ERO = Engines - All 4.0L 6 Cyl Gas EP0 = ENGINES - ALL 2.5L 4 CYL GAS	DCB = Transmission - 4-Speed Manual,T3340 DDQ = 5-Speed Manual Transmission DDX = 5-Speed HD Manual Transmission DGD = 3-Spd. Automatic 30RH Transmission DGK = 4-Spd. Automatic 42RE Transmission DGS = 4-Speed Automatic AW4 Transmission DGT = 4-Spd. Automatic 46RE Transmission DGW = TRANSMISSION - 4-SPD. AUTOMATIC,44RE DGX = 4-Speed Automatic Transmission DGY = No Description Available DGZ = Transmission- 4-Spd. Automatic,MT643 DBB = ALL MANUAL TRANSMISSIONS DGO = TRANSMISSIONS - ALL AUTOMATIC

AR = use ase required - = Non illustrated part

Crankshaft, Piston and Torque Converter
Figure 4.0L-410



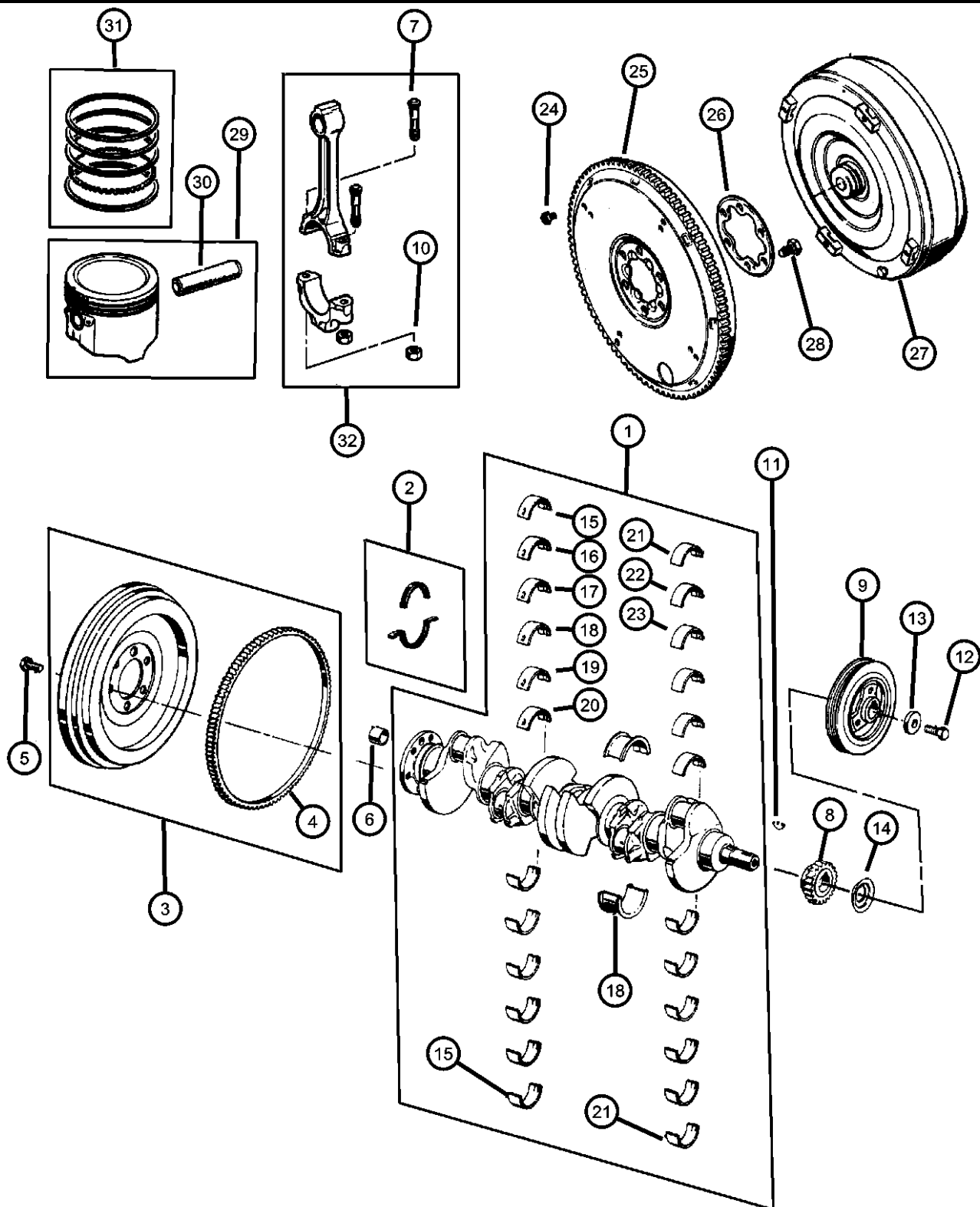
ITEM	PART NUMBER	QTY	LINE	SERIES	BODY	ENGINE	TRANS	TRIM	DESCRIPTION
1	04864726	1				ER0	DG0		CRANKSHAFT
2	04778126	1				ER0	DBB		SEAL PACKAGE, Crankshaft
3	53020519	1				ER0	DBB		FLYWHEEL
4	J3179741	1				ER0	DBB		GEAR, Ring
5	J3170524	6				ER0	DBB		BOLT, Flywheel
6	53009180	1				ER0	DBB		BEARING, Pilot
	53009181	1				ER0	DBB		Sleeve and Bearing
7	53020123	12				ER0			Bearing
8	53020443	1				ER0			BOLT, Connecting Rod
9	33002920	1				ER0			GEAR, Crankshaft
10	J4006385	12				ER0			DAMPER, Crankshaft
11	06034749	1			EP0, ER0				NUT, Hex Flange, .3437-24
12	06029736	1			EP0, ER0				KEY, Crankshaft Sprocket
13	J3230155	1			EP0, ER0				BOLT
14	J3173076	1			EP0, ER0				WASHER, Plain
15	83507079	6			ER0				SLINGER, Oil
16	83507080	AR			EP0, ER0				BEARING PACKAGE, Crankshaft, Standard
17	83507083	AR			EP0, ER0				BEARING PACKAGE, Crankshaft, .001 Undersize
									BEARING PACKAGE, Crankshaft, .010 Undersize

NOTE: ER0=All 4.0L Engines DBB=All Manual Transmissions DG0=All Automatic Transmissions DGS=Aisin 4 Speed Automatic Transmission

CHEROKEE (XJ)
 SERIES LINE BODY ENGINE TRANSMISSION
 L = LOWLINE B = JEEP - 2WD (RHD) 72 = 2DR (101.4 WB) ENC = 2.5L 4 Cyl Turbo Diesel DCB = Transmission - 4-Speed Manual,T3340
 U = JEEP - 4WD (RHD) 74 = 4 DR (101.4 WB) EPE = Engine - 2.5L Power Tech I-4 Cyl. DDQ = 5-Speed Manual Transmission
 T = LHD - (2WD) ERH = 4.0L Power Tech I-6 Engine DDG = 5-Speed HD Manual Transmission
 J = JEEP - - LHD (4WD) ENO = Engines - ALL 4/5 CYL Turbo Diesel DGD = 3-Spd. Automatic 30RH Transmission
 ERO = Engines - All 4.0L 6 Cyl Gas DGK = 4-Spd. Automatic 42RE Transmission
 EP0 = ENGINES - ALL 2.5L 4 CYL GAS DGS = 4-Speed Automatic AW4 Transmission
 DGT = 4-Spd. Automatic 46RE Transmission
 DGW = TRANSMISSION - 4-SPD. AUTOMATIC,44RE
 DGX = 4-Speed Automatic Transmission
 DGY = No Description Available
 DGZ = Transmission- 4-Spd. Automatic,MT643
 DBB = ALL MANUAL TRANSMISSIONS
 DG0 = TRANSMISSIONS - ALL AUTOMATIC

AR = use ase required - = Non illustrated part

Crankshaft, Piston and Torque Converter
Figure 4.0L-410



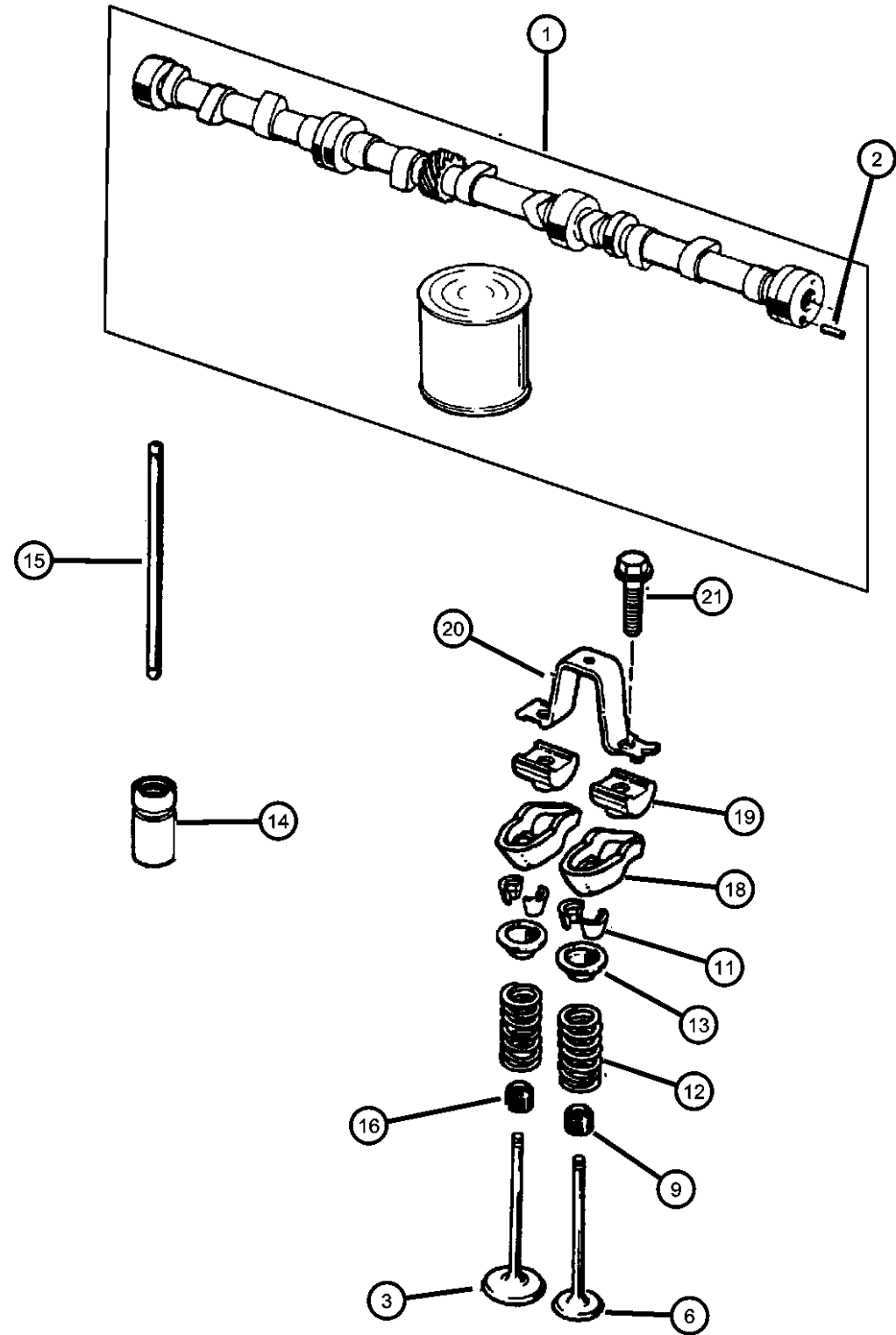
ITEM	PART NUMBER	QTY	LINE	SERIES	BODY	ENGINE	TRANS	TRIM	DESCRIPTION
30	04798333	6				ERO			PIN, Piston, Serviced in Piston Assembly, (NOT SERVICED), RING PACKAGE, Piston, Standard Size Complete Engine ROD, Connecting, Serviced in Piston Assembly, (NOT SERVICED)
31	04798878	6							
32	04798878	6							

CHEROKEE (XJ)

SERIES	LINE	BODY	ENGINE	TRANSMISSION
L = LOWLINE	B = JEEP - 2WD (RHD) U = JEEP - 4WD (RHD) T = LHD - (2WD) J = JEEP - - LHD (4WD)	72 = 2DR (101.4 WB) 74 = 4 DR (101.4 WB)	ENC = 2.5L 4 Cyl Turbo Diesel Engine EPE = Engine - 2.5L Power Tech I-4 Cyl. ERH = 4.0L Power Tech I-6 Engine ENO = Engines - ALL 4/5 CYL Turbo Diesel ERO = Engines - All 4.0L 6 Cyl Gas EPO = ENGINES - ALL 2.5L 4 CYL GAS	DCB = Transmission - 4-Speed Manual,T3340 DDQ = 5-Speed Manual Transmission DDX = 5-Speed HD Manual Transmission DGD = 3-Spd. Automatic 30RH Transmission DGK = 4-Spd. Automatic 42RE Transmission DGS = 4-Speed Automatic AW4 Transmission DGT = 4-Spd. Automatic 46RE Transmission DGW = TRANSMISSION - 4-SPD. AUTOMATIC,44RE DGX = 4-Speed Automatic Transmission DGY = No Description Available DGZ = Transmission- 4-Spd. Automatic,MT643 DBB = ALL MANUAL TRANSMISSIONS DGO = TRANSMISSIONS - ALL AUTOMATIC

AR = use ase required - = Non illustrated part

**Camshaft and Valves
Figure 4.0L-510**



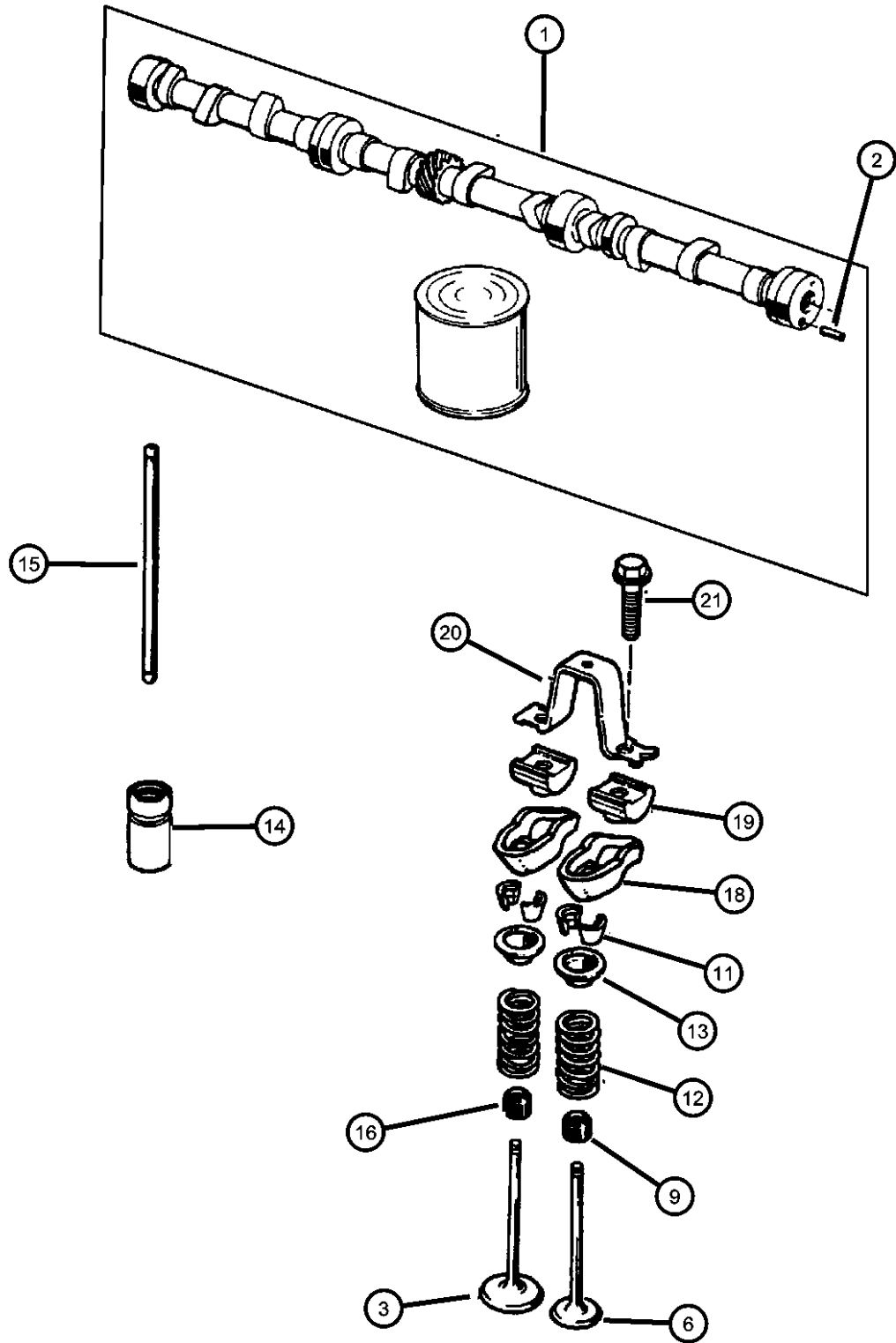
ITEM	PART NUMBER	QTY	LINE	SERIES	BODY	ENGINE	TRANS	TRIM	DESCRIPTION
NOTE: ER0=All 4.0L Engines									
1	53020438	1				ER0			CAMSHAFT
2	J0456384	1				EP0			DOWEL, Camshaft Sprocket
3									VALVE, Intake, Standard
	33003515	6				ER0			Up To 1-16-98
	53010512AA	6				ER0			After 1-16-98
-4	33003519	AR				EP0, ER0			VALVE, Intake, .003" O/S
-5	33003575	AR				EP0, ER0			VALVE, Intake, .015" O/S
6									VALVE, Exhaust, Standard
	04637537	6				ER0			Up To 1-16-98
	53010513AA	6				ER0			After 1-16-98
-7	04637538	AR				EP0, ER0			VALVE, Exhaust, .003" O/S
-8	04637539	AR				EP0, ER0			VALVE, Exhaust, .015 Oversize
9	53009887	6				ER0			SEAL, Valve Guide, Standard
-10	33002733	AR				EP0, ER0			SEAL, Valve Guide, .015" Oversize, .015 O/S
11	33003521	24				ER0			LOCK, Valve Spring Retainer
12	53020556	12				ER0			SPRING, Valve
13	33004626	12				ER0			RETAINER, Valve Spring
14	04740269	12				ER0			TAPPET, Valve
15	33002986	12				ER0			PUSH ROD, Valve
16	53009886	6				ER0			SEAL, Valve Guide
-17	33003016	AR				EP0, ER0			SEAL, Valve Guide, .015" Oversize

CHEROKEE (XJ)				
SERIES	LINE	BODY	ENGINE	TRANSMISSION
L = LOWLINE	B = JEEP - 2WD (RHD) U = JEEP - 4WD (RHD) T = LHD - (2WD) J = JEEP - - LHD (4WD)	72 = 2DR (101.4 WB) 74 = 4 DR (101.4 WB)	ENC = 2.5L 4 Cyl Turbo Diesel Engine EPE = Engine - 2.5L Power Tech I-4 Cyl. ERH = 4.0L Power Tech I-6 Engine ENO = Engines - ALL 4/5 CYL Turbo Diesel ERO = Engines - All 4.0L 6 Cyl Gas EPO = ENGINES - ALL 2.5L 4 CYL GAS	DCB = Transmission - 4-Speed Manual,T3340 DDQ = 5-Speed Manual Transmission DDX = 5-Speed HD Manual Transmission DGD = 3-Spd. Automatic 30RH Transmission DGK = 4-Spd. Automatic 42RE Transmission DGS = 4-Speed Automatic AW4 Transmission DGT = 4-Spd. Automatic 46RE Transmission DGW = TRANSMISSION - 4-SPD. AUTOMATIC,44RE DGX = 4-Speed Automatic Transmission DGY = No Description Available DGZ = Transmission- 4-Spd. Automatic,MT643 DBB = ALL MANUAL TRANSMISSIONS DGO = TRANSMISSIONS - ALL AUTOMATIC

AR = use ase required - = Non illustrated part

Camshaft and Valves
Figure 4.0L-510

ITEM	PART NUMBER	QTY	LINE	SERIES	BODY	ENGINE	TRANS	TRIM	DESCRIPTION
18	J3242393	12				ER0			ROCKER ARM, Valve
19	J3235090	12				ER0			PIVOT, Rocker Arm
20	J3236513	6				ER0			BRIDGE, Rocker Arm
21	J9425708	12				ER0			BOLT, Hex Flange Head, .312-18x1.25



CHEROKEE (XJ)

SERIES LINE
L = LOWLINE B = JEEP - 2WD (RHD)
U = JEEP - 4WD (RHD)
T = LHD - (2WD)
J = JEEP - - LHD (4WD)

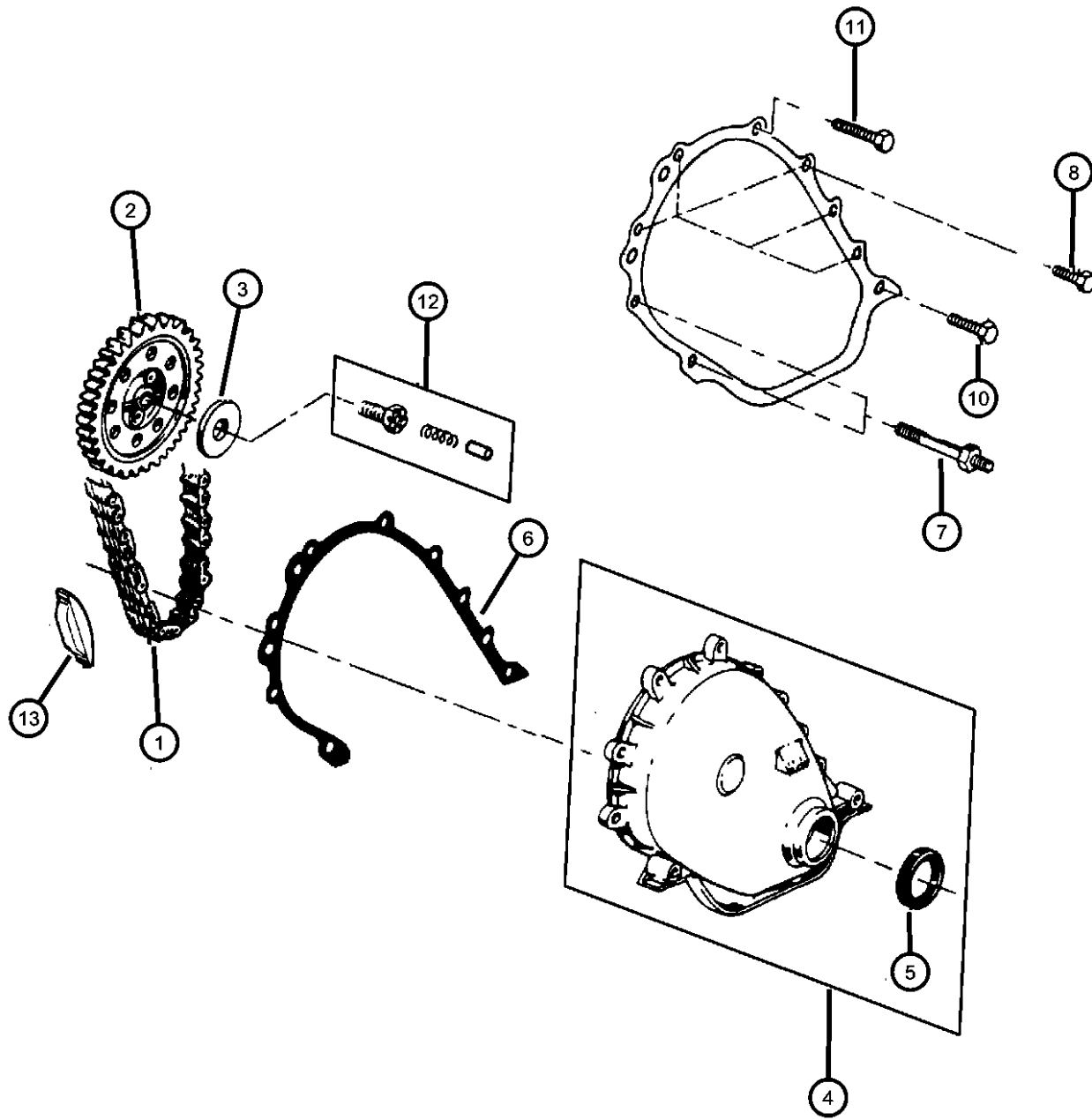
BODY
72 = 2DR (101.4 WB)
74 = 4 DR (101.4 WB)

ENGINE TRANSMISSION
ENC = 2.5L 4 Cyl Turbo Diesel Engine DCB = Transmission - 4-Speed Manual,T3340
EPE = Engine - 2.5L Power Tech I-4 Cyl. DDQ = 5-Speed Manual Transmission
ERH = 4.0L Power Tech I-6 Engine DDX = 5-Speed HD Manual Transmission
ENO = Engines - ALL 4/5 CYL Turbo Diesel DGD = 3-Spd. Automatic 30RH Transmission
ERO = Engines - All 4.0L 6 Cyl Gas DGK = 4-Spd. Automatic 42RE Transmission
EPO = ENGINES - ALL 2.5L 4 CYL GAS DGS = 4-Speed Automatic AW4 Transmission
DGT = 4-Spd. Automatic 46RE Transmission
DGW = TRANSMISSION - 4-SPD. AUTOMATIC,44RE
DGX = 4-Speed Automatic Transmission
DGY = No Description Available
DGZ = Transmission- 4-Spd. Automatic,MT643
DBB = ALL MANUAL TRANSMISSIONS
DGO = TRANSMISSIONS - ALL AUTOMATIC

AR = use ase required - = Non illustrated part

1998 XJ

Timing Cover
Figure 4.0L-610

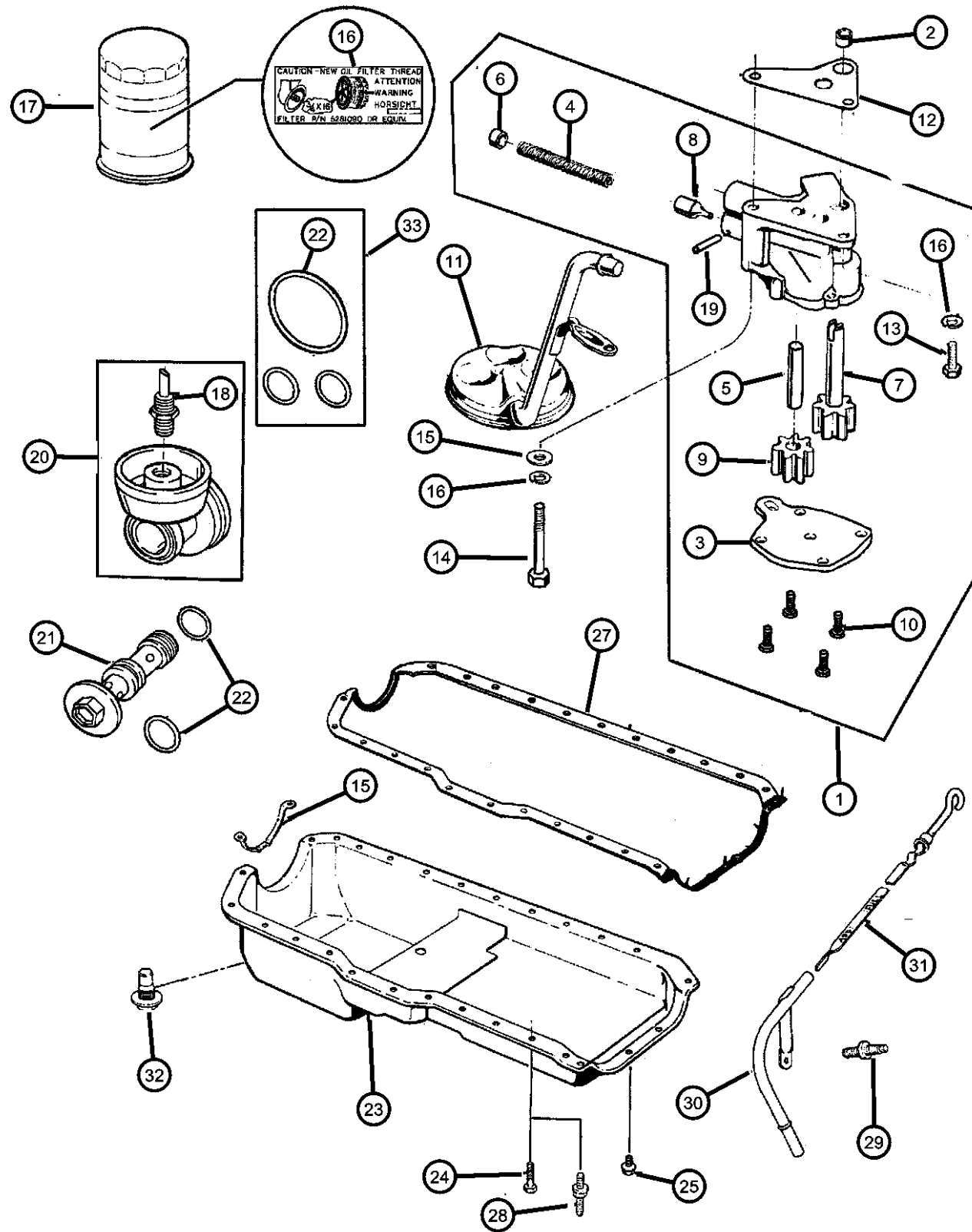


ITEM	PART NUMBER	QTY	LINE	SERIES	BODY	ENGINE	TRANS	TRIM	DESCRIPTION
NOTE: ER0=All 4.0L Engines									
-1	05189874AA	1				ER0			CHAIN PACKAGE, Timing
2	53020444	1				ER0			CHAIN, Timing
3	53020445	1				ER0			SPROCKET, Camshaft
4	J3173284	1				EP0, ER0			WASHER, Flat, .206 Diameter
5	53020222	1				EP0, ER0			COVER, Timing Belt
6	33004681	1				EP0, ER0			SEAL, Front Main Crankshaft
7	53020487	1				EP0, ER0			GASKET, Front Cover
8	06035744	1				ER0			STUD
9	J4006906	5				EP0, ER0			BOLT, Hex
-10	06034604	2				ER0			SCREW
11	06034914	1				EP0, ER0			BOLT, Hex Flange Head, .250-20x1.24
12	06034604	1				ER0			SCREW
13	83502890	1				ER0			SCREW AND WASHER, Hex
14	33003446	1				EP0, ER0			SNUBBER, Timing Chain

CHEROKEE (XJ)		BODY	ENGINE	TRANSMISSION
SERIES	LINE			
L = LOWLINE	B = JEEP - 2WD (RHD) U = JEEP - 4WD (RHD) T = LHD - (2WD) J = JEEP - - LHD (4WD)	72 = 2DR (101.4 WB) 74 = 4 DR (101.4 WB)	ENC = 2.5L 4 Cyl Turbo Diesel Engine EPE = Engine - 2.5L Power Tech I-4 Cyl. ERH = 4.0L Power Tech I-6 Engine ENO = Engines - ALL 4/5 CYL Turbo Diesel ER0 = Engines - All 4.0L 6 Cyl Gas EP0 = ENGINES - ALL 2.5L 4 CYL GAS	DCB = Transmission - 4-Speed Manual,T3340 DDQ = 5-Speed Manual Transmission DDX = 5-Speed HD Manual Transmission DGD = 3-Spd. Automatic 30RH Transmission DGK = 4-Spd. Automatic 42RE Transmission DGS = 4-Speed Automatic AW4 Transmission DGT = 4-Spd. Automatic 46RE Transmission DGW = TRANSMISSION - 4-SPD. AUTOMATIC,44RE DGX = 4-Speed Automatic Transmission DGY = No Description Available DGZ = Transmission- 4-Spd. Automatic,MT643 DBB = ALL MANUAL TRANSMISSIONS DGO = TRANSMISSIONS - ALL AUTOMATIC

AR = use ase required - = Non illustrated part

Engine Oiling
Figure 4.0L-710



ITEM	PART NUMBER	QTY	LINE	SERIES	BODY	ENGINE	TRANS	TRIM	DESCRIPTION
NOTE: ER0=All 4.0L Engines									
1	J3241399	1				ER0			PUMP, Engine Oil
2	J4005149	1				EP0, ER0			DOWEL, Oil Pump
3	J3241733	1				ER0			COVER, Engine Oil Pump
4	J3239668	1				ER0			SPRING, Oil Pressure Relief Valve
5	J3171956	1				ER0			SHAFT, Oil Pump
6	J3171958	1				ER0			RETAINER, Oil Release Valve
7	J3172334	1				ER0			GEAR, Oil Pump
8	J3188661	1				ER0			PLUNGER, Oil Pressure Relief Valve
9	J3196843	1				ER0			GEAR, Oil Pump Driven
10	J9416852	4				ER0			SCREW, Hex Flange Head, .25-20x.50
11	33002696	1				ER0			TUBE, Oil Pump Inlet
12	J3172332	1				EP0, ER0			GASKET, Oil Pump
13	06022235	1				EP0, ER0			BOLT AND WASHER, Hex Head, .312-18x1.00
14	00154593	1				EP0, ER0			SCREW, Hex Head Coned, .312-18x2.625
15	J3243116	1				ER0			SUPPORT, Engine Oil Pan
16	53008907	1							LABEL, Oil Filter Thread I.D.
17	05281090	1				EP0, ER0			FILTER, Engine Oil
	0FE00292								Canadian Aftermarket Part
	05281090BA								BULK PACK (12)

CHEROKEE (XJ)

SERIES LINE
L = LOWLINE B = JEEP - 2WD (RHD)
U = JEEP - 4WD (RHD)
T = LHD - (2WD)
J = JEEP - - LHD (4WD)

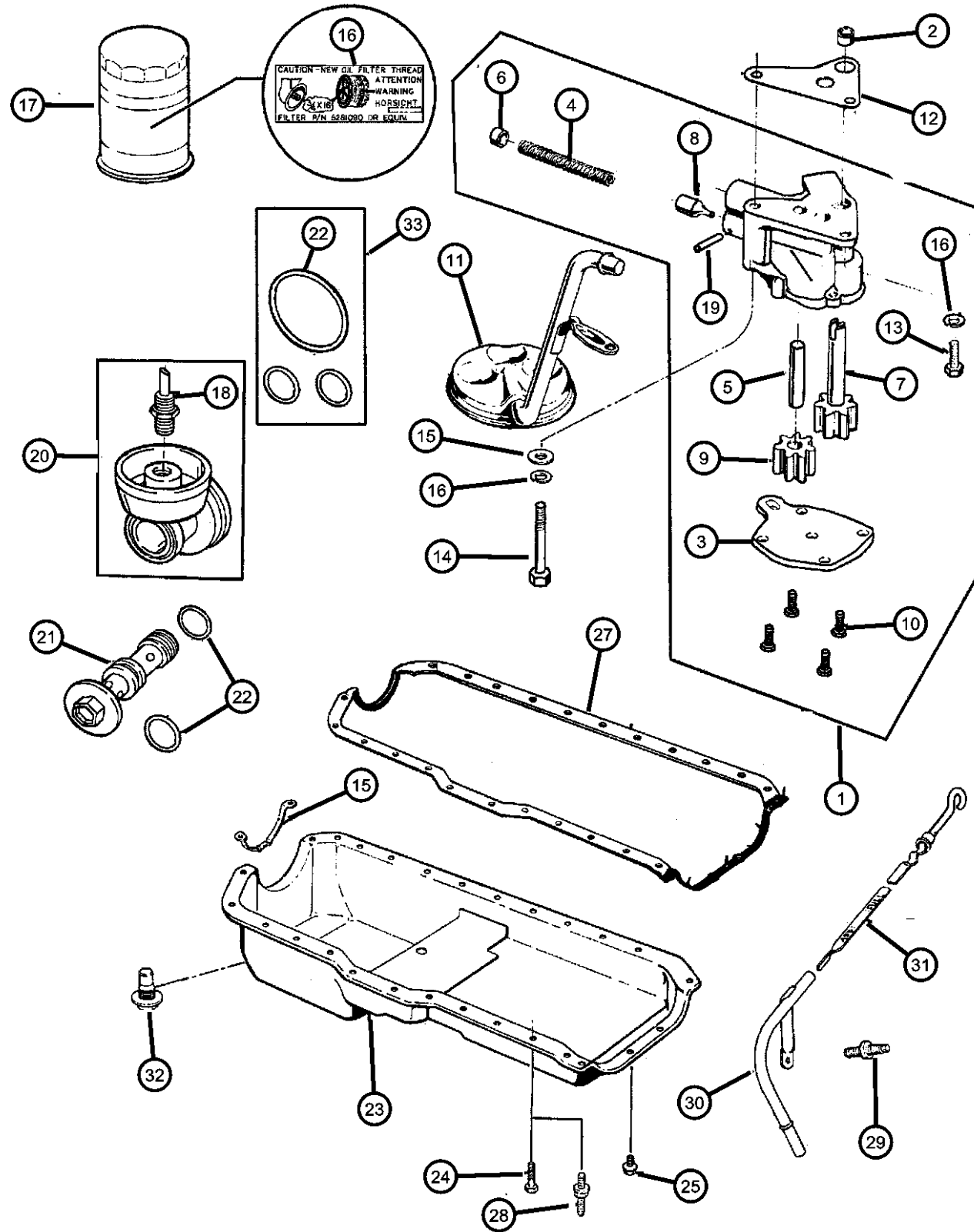
BODY
72 = 2DR (101.4 WB)
74 = 4 DR (101.4 WB)

ENGINE TRANSMISSION
ENC = 2.5L 4 Cyl Turbo Diesel Engine
EPE = Engine - 2.5L Power Tech I-4 Cyl.
ERH = 4.0L Power Tech I-6 Engine
ENO = Engines - ALL 4/5 CYL Turbo Diesel
ERO = Engines - All 4.0L 6 Cyl Gas
EPO = ENGINES - ALL 2.5L 4 CYL GAS
DCB = Transmission - 4-Speed Manual,T3340
DDQ = 5-Speed Manual Transmission
DDX = 5-Speed HD Manual Transmission
DGD = 3-Spd. Automatic 30RH Transmission
DGK = 4-Spd. Automatic 42RE Transmission
DGS = 4-Speed Automatic AW4 Transmission
DGT = 4-Spd. Automatic 46RE Transmission
DGW = TRANSMISSION - 4-SPD. AUTOMATIC,44RE
DGX = 4-Speed Automatic Transmission
DGY = No Description Available
DGZ = Transmission- 4-Spd. Automatic,MT643
DBB = ALL MANUAL TRANSMISSIONS
DGO = TRANSMISSIONS - ALL AUTOMATIC

AR = use ase required - = Non illustrated part

1998 XJ

Engine Oiling
Figure 4.0L-710



ITEM	PART NUMBER	QTY	LINE	SERIES	BODY	ENGINE	TRANS	TRIM	DESCRIPTION
	77060018								Performance Mobil 1, 15W - 50 Tri-Synthetic Engine Oil- Recommended Fill for 6.1L & 8.3L
	P5007323								Performance Mobil 1, 5W - 30 Tri-Synthetic Engine Oil, Quart
18	53007563	1				ER0			CONNECTOR, Oil Filter
19	J0271448	1				ER0			PIN, Roll, 5/32" x 1.00"
20	53020080	1				ER0			ADAPTER, Oil Filter
21	53020237	1				ER0			BOLT, Oil Filter Adapter
22	33002972	1				ER0			O RING, Oil Filter Adapter
23	53020833	1				ER0			PAN, Engine Oil
24	06034732	16				ER0			SCREW AND WASHER, Hex Head, .25-20x.545
25	06034483	3				ER0			SCREW, Hex Head Coned, .312-18x.875
-26	06034733	1				ER0			STUD, .312-18/.250-20x1.680
27	53007568	1				ER0			GASKET, Oil Pan
28	06034734	8				ER0			BOLT, Double Stud Hex, .250-20x1.437 & .250-20 x.700
29	06035664	1				EP0, ER0			STUD, .312-18x1.560
30	53020782	1				ER0			TUBE, Oil Filler
31	53010445	1				ER0			INDICATOR, Engine Oil Level
32	06035417	1				ER0			PLUG, Oil Drain
33	04720363	1				ER0			SEAL PACKAGE, Oil Filter Adapter

CHEROKEE (XJ)

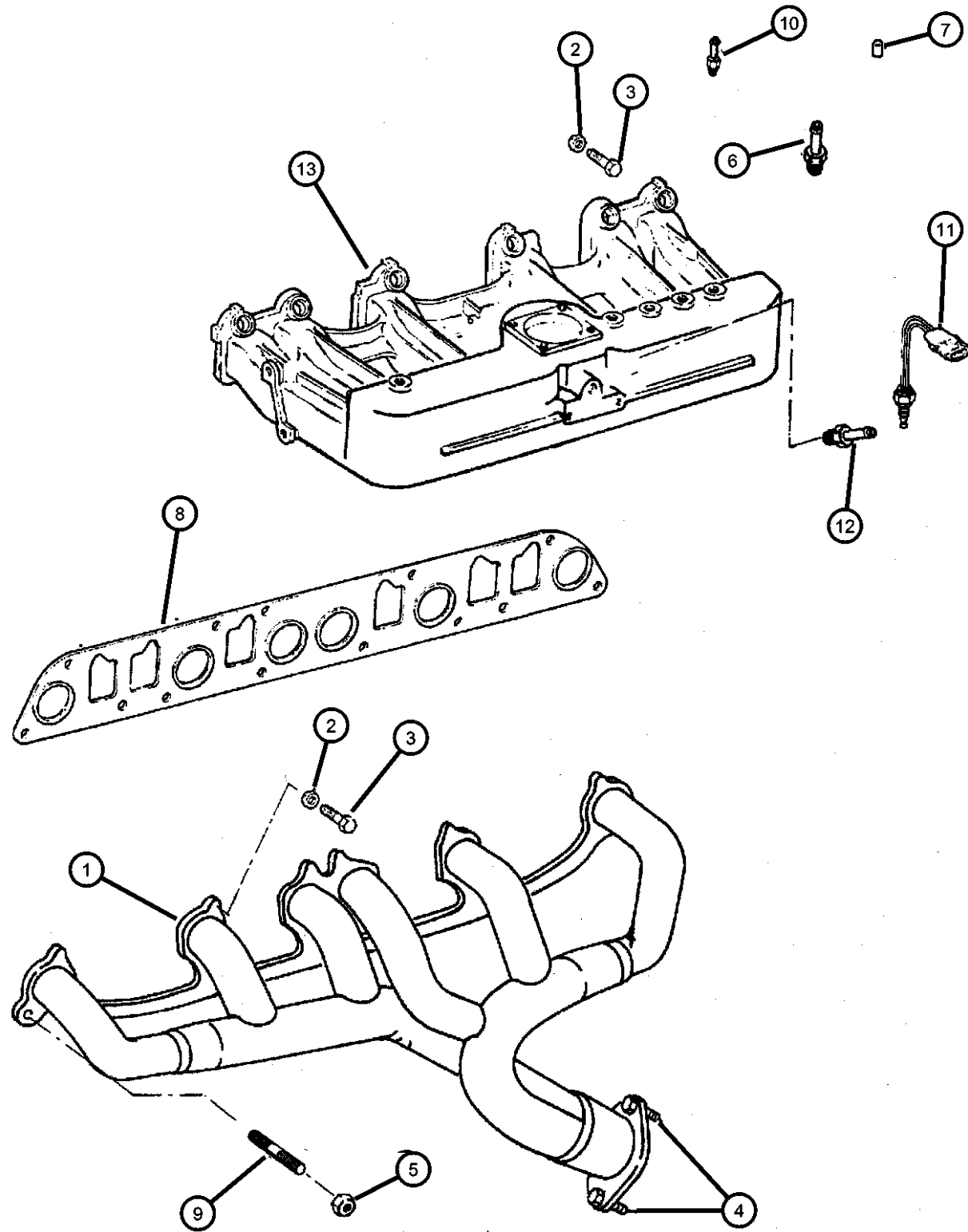
SERIES LINE
 L = LOWLINE B = JEEP - 2WD (RHD)
 U = JEEP - 4WD (RHD)
 T = LHD - (2WD)
 J = JEEP - - LHD (4WD)

BODY
 72 = 2DR (101.4 WB)
 74 = 4 DR (101.4 WB)

ENGINE TRANSMISSION
 ENC = 2.5L 4 Cyl Turbo Diesel Engine
 EPE = Engine - 2.5L Power Tech I-4 Cyl.
 ERH = 4.0L Power Tech I-6 Engine
 ENO = Engines - ALL 4/5 CYL Turbo Diesel
 ERO = Engines - All 4.0L 6 Cyl Gas
 EP0 = ENGINES - ALL 2.5L 4 CYL GAS
 DCB = Transmission - 4-Speed Manual, T3340
 DDQ = 5-Speed Manual Transmission
 DDX = 5-Speed HD Manual Transmission
 DGD = 3-Spd. Automatic 30RH Transmission
 DGK = 4-Spd. Automatic 42RE Transmission
 DGS = 4-Speed Automatic AW4 Transmission
 DGT = 4-Spd. Automatic 46RE Transmission
 DGW = TRANSMISSION - 4-SPD. AUTOMATIC, 44RE
 DGX = 4-Speed Automatic Transmission
 DGY = No Description Available
 DGZ = Transmission- 4-Spd. Automatic, MT643
 DBB = ALL MANUAL TRANSMISSIONS
 DGO = TRANSMISSIONS - ALL AUTOMATIC

AR = use ase required - = Non illustrated part

**Manifold, Intake and Exhaust
Figure 4.0L-810**



ITEM	PART NUMBER	QTY	LINE	SERIES	BODY	ENGINE	TRANS	TRIM	DESCRIPTION
NOTE: ER0=All 4.0L Engines									
1	04883385	1				ER0			MANIFOLD, Exhaust
2	33004255	11				ER0			WASHER, Manifold Retaining
3	J0186622	8				ER0			BOLT AND RETAINER, Hex Head
4	J4007109	2				ER0			STUD, .375-16x1.69
5	06034984	2				EP0, ER0			NUT, Hex Flange Lock, .375-24
6	53020027	1				ER0			FITTING, Vacuum, Serviced in Manifold
7	03580171	2							CAP, Vacuum
8	53010238	1				ER0			GASKET, Intake/Exhaust Manifold
9	53010165	2				EP0, ER0			STUD, .375-16/.375-24x1.75
10	53030756	1				ER0			FITTING, Vacuum, Serviced in Manifold
11	56027872	1				EP0, ER0			SENSOR, Air Temperature
12	04854194	1				ER0			FITTING, Vacuum
13	53010237	1				ER0			MANIFOLD, Intake

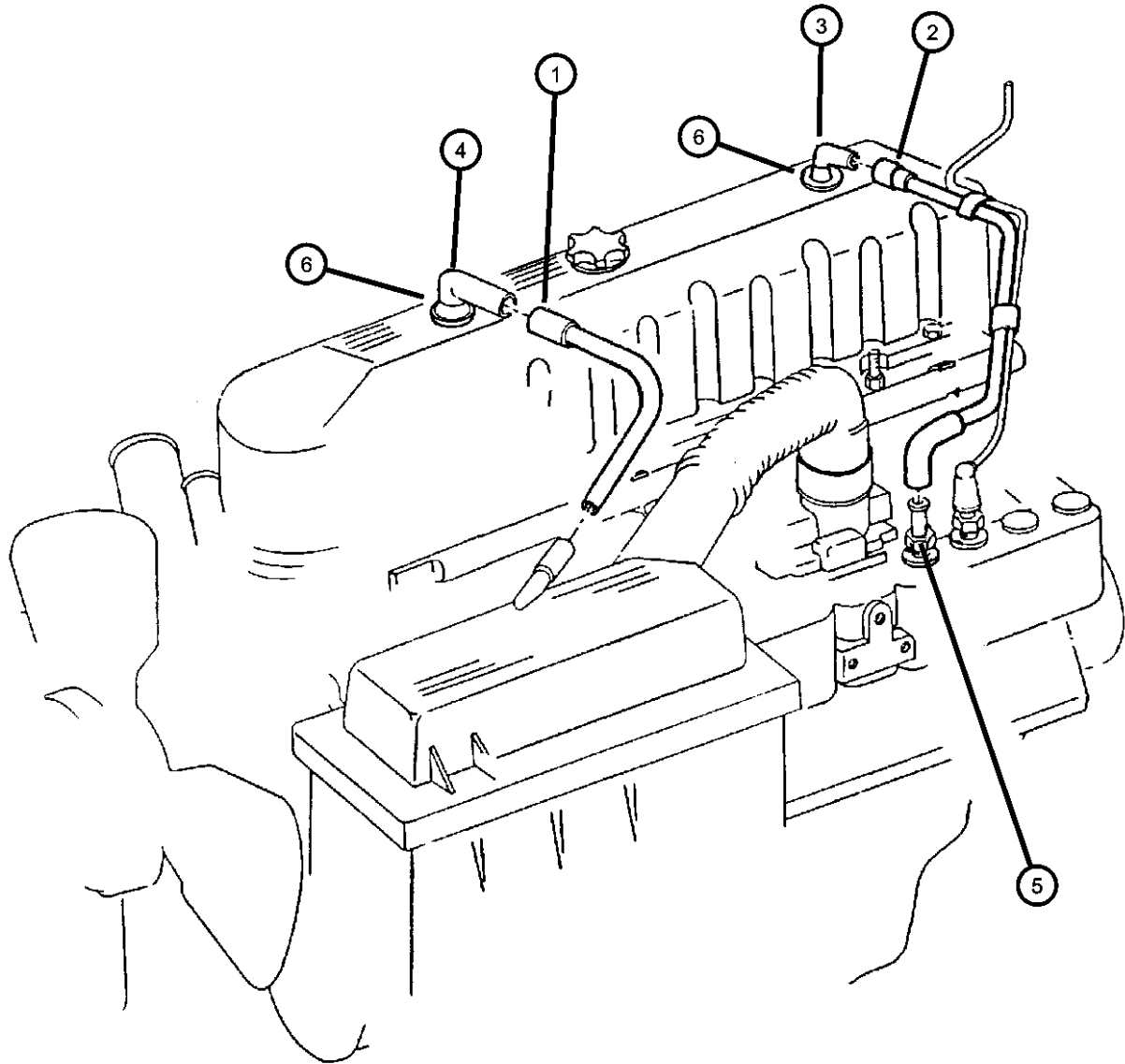
CHEROKEE (XJ)

SERIES	LINE	BODY	ENGINE	TRANSMISSION
L = LOWLINE	B = JEEP - 2WD (RHD) U = JEEP - 4WD (RHD) T = LHD - (2WD) J = JEEP - - LHD (4WD)	72 = 2DR (101.4 WB) 74 = 4 DR (101.4 WB)	ENC = 2.5L 4 Cyl Turbo Diesel Engine EPE = Engine - 2.5L Power Tech I-4 Cyl. ERH = 4.0L Power Tech I-6 Engine ENO = Engines - ALL 4/5 CYL Turbo Diesel ERO = Engines - All 4.0L 6 Cyl Gas EP0 = ENGINES - ALL 2.5L 4 CYL GAS	DCB = Transmission - 4-Speed Manual,T3340 DDQ = 5-Speed Manual Transmission DDX = 5-Speed HD Manual Transmission DGD = 3-Spd. Automatic 30RH Transmission DGK = 4-Spd. Automatic 42RE Transmission DGS = 4-Speed Automatic AW4 Transmission DGT = 4-Spd. Automatic 46RE Transmission DGW = TRANSMISSION - 4-SPD. AUTOMATIC,44RE DGX = 4-Speed Automatic Transmission DGY = No Description Available DGZ = Transmission- 4-Spd. Automatic,MT643 DBB = ALL MANUAL TRANSMISSIONS DGO = TRANSMISSIONS - ALL AUTOMATIC

AR = use ase required - = Non illustrated part

**Crankcase Ventilation
Figure 4.0L-910**

ITEM	PART NUMBER	QTY	LINE	SERIES	BODY	ENGINE	TRANS	TRIM	DESCRIPTION
NOTE: ER0=All 4.0L Engines									
1	04854180	1				ER0			TUBE, Cylinder Cover to A/CInr
2	04854265	1				ER0			TUBE, Crankcase Vent To Intake Manifold
3	53030495	1				ER0			TUBE, Crankcase Vent To Air Cleaner
4	53030991	1				ER0			FITTING, Crankcase Vent Tube
5	53020027	1				ER0			FITTING, Vacuum
6	02946079	2				ER0			GROMMET, Crankcase Vent



CHEROKEE (XJ)				
SERIES	LINE	BODY	ENGINE	TRANSMISSION
L = LOWLINE	B = JEEP - 2WD (RHD) U = JEEP - 4WD (RHD) T = LHD - (2WD) J = JEEP - - LHD (4WD)	72 = 2DR (101.4 WB) 74 = 4 DR (101.4 WB)	ENC = 2.5L 4 Cyl Turbo Diesel Engine EPE = Engine - 2.5L Power Tech I-4 Cyl. ERH = 4.0L Power Tech I-6 Engine ENO = Engines - ALL 4/5 CYL Turbo Diesel ERO = Engines - All 4.0L 6 Cyl Gas EPO = ENGINES - ALL 2.5L 4 CYL GAS	DCB = Transmission - 4-Speed Manual,T3340 DDQ = 5-Speed Manual Transmission DDX = 5-Speed HD Manual Transmission DGD = 3-Spd. Automatic 30RH Transmission DGK = 4-Spd. Automatic 42RE Transmission DGS = 4-Speed Automatic AW4 Transmission DGT = 4-Spd. Automatic 46RE Transmission DGW = TRANSMISSION - 4-SPD. AUTOMATIC,44RE DGX = 4-Speed Automatic Transmission DGY = No Description Available DGZ = Transmission- 4-Spd. Automatic,MT643 DBB = ALL MANUAL TRANSMISSIONS DGO = TRANSMISSIONS - ALL AUTOMATIC

AR = use ase required - = Non illustrated part

Group - 2.5LD

Engine 2.5L Four Cylinder (Turbo Diesel)

Group - 2.5LD Engine 2.5L Four Cylinder (Turbo Diesel)

Illustration Title

Group-Fig. No.

Cylinder Head

Cylinder HeadFig. 2.5LD - 210

Cylinder Block

Cylinder BlockFig. 2.5LD - 310

Crankshaft, Piston and Drive Plate

Crankshaft, Piston and Torque ConverterFig. 2.5LD - 410

Camshafts & Valves

Camshaft and ValvesFig. 2.5LD - 510

Timing Belt and Cover

Timing CoverFig. 2.5LD - 610

Engine Oiling

Engine OilingFig. 2.5LD - 710

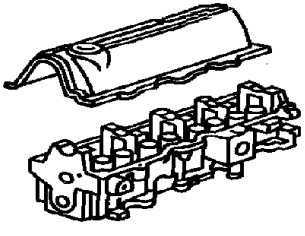
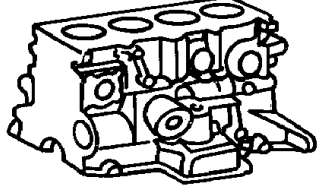
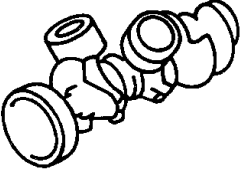
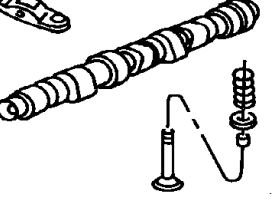
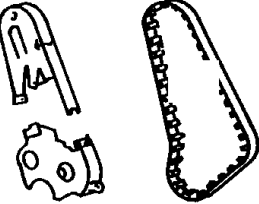
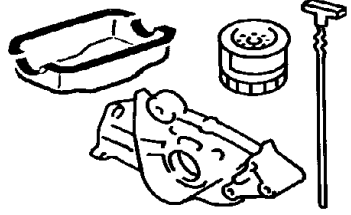
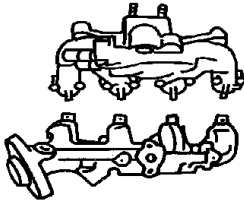
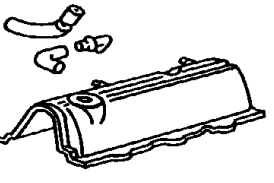
Oil Lines.....Fig. 2.5LD - 720

Manifolds

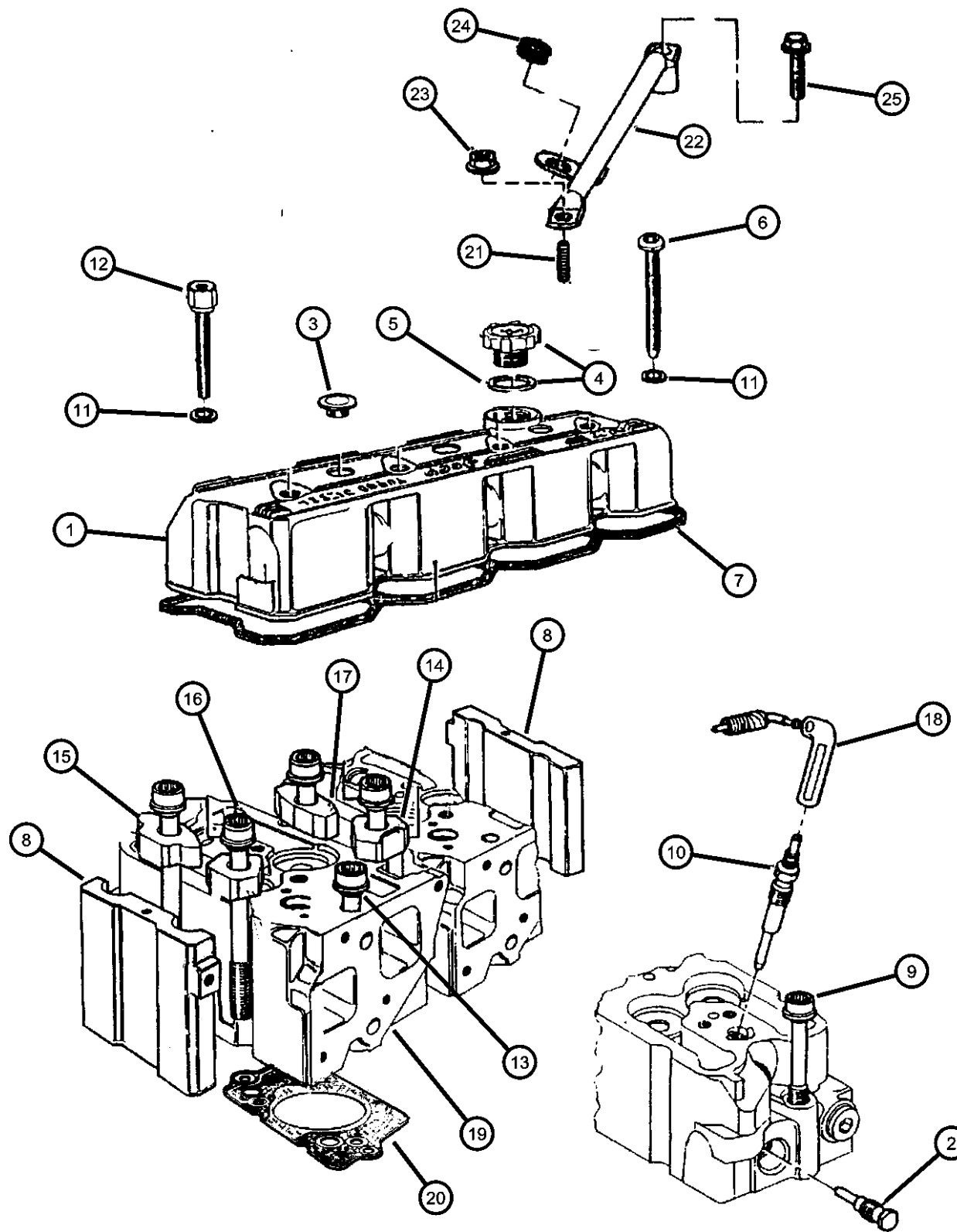
Manifold, Intake and ExhaustFig. 2.5LD - 810

Crankcase Ventilation

Crankcase Ventilation.....Fig. 2.5LD - 910

<p>2.5LD-200 Cylinder Head</p> 	<p>2.5LD-300 Cylinder Block</p> 	<p>2.5LD-400 Crankshaft, Piston and Drive Plate</p> 	<p>2.5LD-500 Camshafts & Valves</p> 
<p>2.5LD-600 Timing Belt and Cover</p> 	<p>2.5LD-700 Engine Oiling</p> 	<p>2.5LD-800 Manifolds</p> 	<p>2.5LD-900 Crankcase Ventilation</p> 

Cylinder Head
Figure 2.5LD-210



ITEM	PART NUMBER	QTY	LINE	SERIES	BODY	ENGINE	TRANS	TRIM	DESCRIPTION
NOTE: EN0=All 2.5L Diesel Engines									
1	04864747	1				EN0			COVER, Cylinder Head
2	04863770	4				EN0			PLUG, Dummy
3	04864555	3				EN0			PLUG, Cylinder Block
4	04863741	1				EN0			CAP, Oil Filler
5	04720300	1				EN0			GASKET, Oil Filler Cap
6	04863749	2				EN0			SCREW
7	04863789AB	1				EN0			GASKET, Valve Cover
8	04882407	2				EN0			CLAMP, Cylinder Head
9	04720671	4				EN0			BOLT, Cylinder Head
10	04863826	4				EN0			GLOW PLUG
11	04864554	4				EN0			SEAL, Valve Cover Bolt
12	04863752	2				EN0			SCREW
13	04720233	4				EN0			BOLT, Cylinder Head
14	04864038	5				EN0			CLAMP, Cylinder Head
15	04864039	2				EN0			CLAMP, Cylinder Head
16	04720235	10				EN0			BOLT, Cylinder Head
17	04864040	3				EN0			CLAMP, Cylinder Head
18	04864557	1				EN0			WIRING, Glow Plug
19	04883416AA	4				EN0			HEAD, Cylinder
20									GASKET, Cylinder Head
	04863781	1				EN0			1.42
	04863782	AR				EN0			1.52

CHEROKEE (XJ)

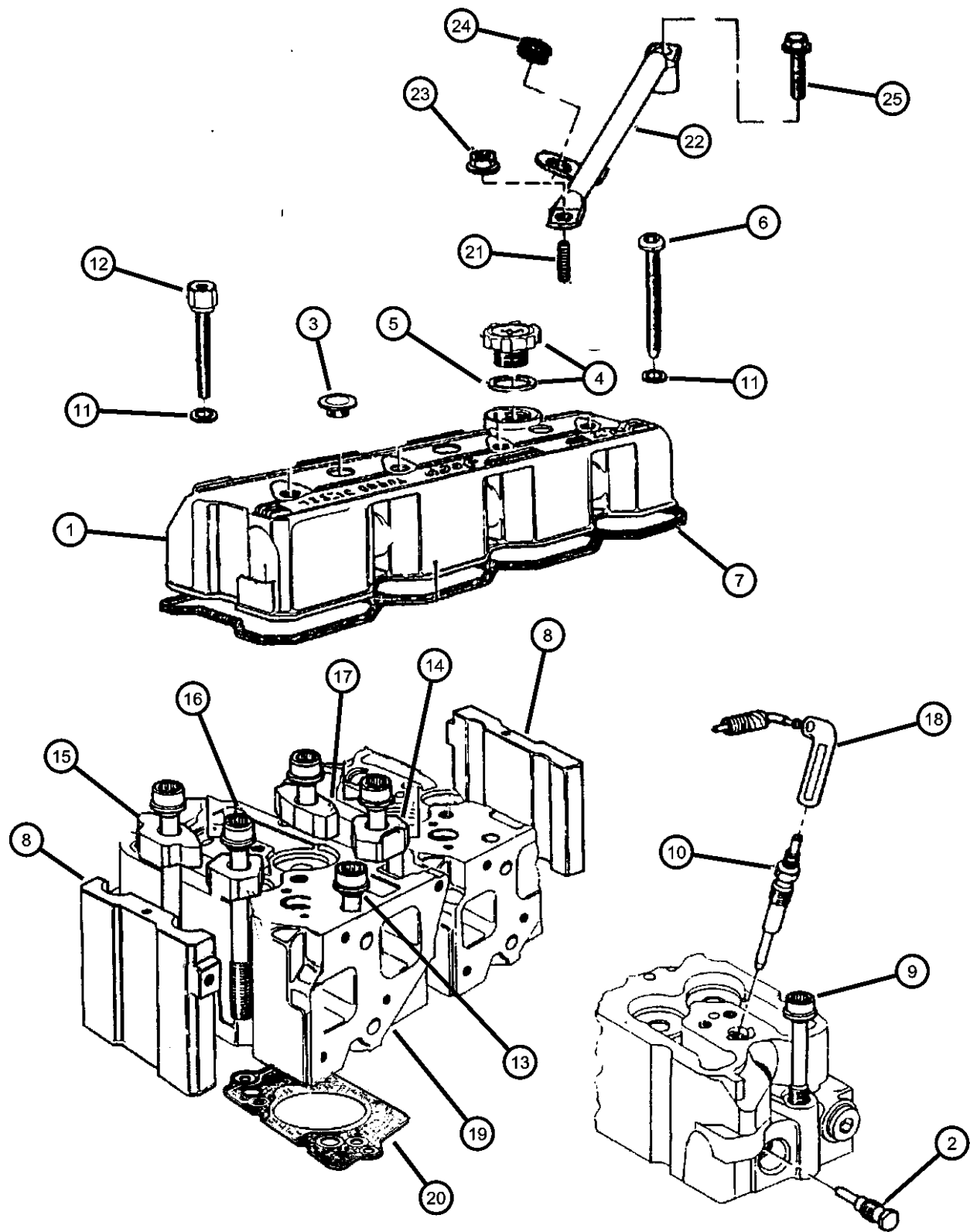
SERIES LINE
 L = LOWLINE B = JEEP - 2WD (RHD)
 U = JEEP - 4WD (RHD)
 T = LHD - (2WD)
 J = JEEP - - LHD (4WD)

BODY
 72 = 2DR (101.4 WB)
 74 = 4 DR (101.4 WB)

ENGINE TRANSMISSION
 ENC = 2.5L 4 Cyl Turbo Diesel Engine DCB = Transmission - 4-Speed Manual,T3340
 EPE = Engine - 2.5L Power Tech I-4 Cyl. DDQ = 5-Speed Manual Transmission
 ERH = 4.0L Power Tech I-6 Engine DDX = 5-Speed HD Manual Transmission
 ENO = Engines - ALL 4/5 CYL Turbo Diesel DGD = 3-Spd. Automatic 30RH Transmission
 ERO = Engines - All 4.0L 6 Cyl Gas DGK = 4-Spd. Automatic 42RE Transmission
 EPO = ENGINES - ALL 2.5L 4 CYL GAS DGS = 4-Speed Automatic AW4 Transmission
 DGT = 4-Spd. Automatic 46RE Transmission
 DGW = TRANSMISSION - 4-SPD. AUTOMATIC,44RE
 DGX = 4-Speed Automatic Transmission
 DGY = No Description Available
 DGZ = Transmission- 4-Spd. Automatic,MT643
 DBB = ALL MANUAL TRANSMISSIONS
 DGO = TRANSMISSIONS - ALL AUTOMATIC

AR = use ase required - = Non illustrated part

Cylinder Head
Figure 2.5LD-210



ITEM	PART NUMBER	QTY	LINE	SERIES	BODY	ENGINE	TRANS	TRIM	DESCRIPTION
	04863783	AR				EN0			1.62
21	04864745	1				EN0			BOLT
22	04864746	1				EN0			BRACKET, Alternator Upper
23	04778936	1				EN0			NUT, Suction Pipe Attaching
24	04720362	1				EN0			GASKET, Engine Oil Indicator Pipe
25	04864537	1				EN0			BOLT, 8Mx20

CHEROKEE (XJ)

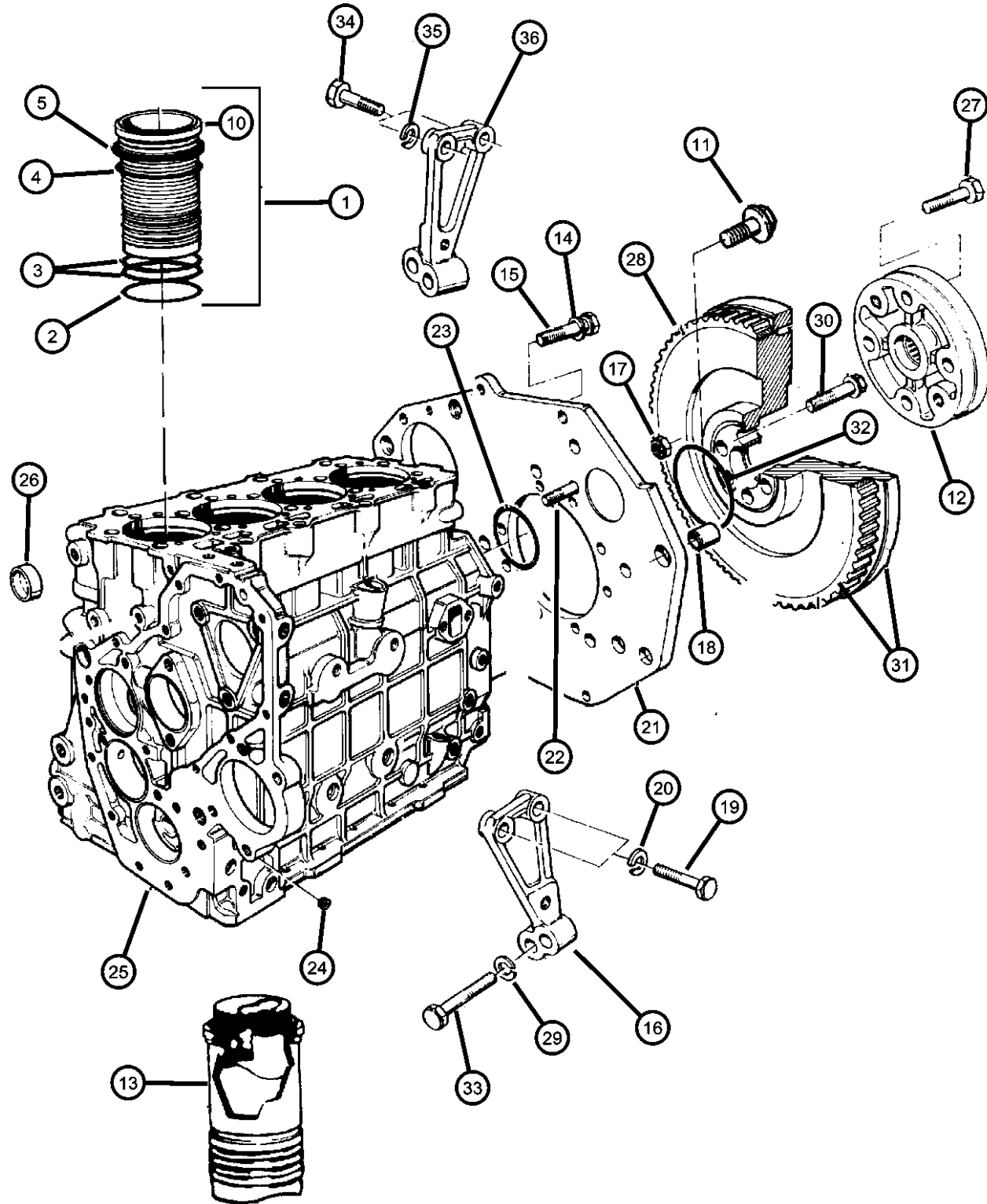
SERIES LINE
 L = LOWLINE B = JEEP - 2WD (RHD)
 U = JEEP - 4WD (RHD)
 T = LHD - (2WD)
 J = JEEP - - LHD (4WD)

BODY
 72 = 2DR (101.4 WB)
 74 = 4 DR (101.4 WB)

ENGINE TRANSMISSION
 ENC = 2.5L 4 Cyl Turbo Diesel Engine DCB = Transmission - 4-Speed Manual, T3340
 EPE = Engine - 2.5L Power Tech I-4 Cyl. DDQ = 5-Speed Manual Transmission
 ERH = 4.0L Power Tech I-6 Engine DDX = 5-Speed HD Manual Transmission
 ENO = Engines - ALL 4/5 CYL Turbo Diesel DGD = 3-Spd. Automatic 30RH Transmission
 ERO = Engines - All 4.0L 6 Cyl Gas DGK = 4-Spd. Automatic 42RE Transmission
 EPO = ENGINES - ALL 2.5L 4 CYL GAS DGS = 4-Speed Automatic AW4 Transmission
 DGT = 4-Spd. Automatic 46RE Transmission
 DGW = TRANSMISSION - 4-SPD. AUTOMATIC, 44RE
 DGX = 4-Speed Automatic Transmission
 DGY = No Description Available
 DGZ = Transmission- 4-Spd. Automatic, MT643
 DBB = ALL MANUAL TRANSMISSIONS
 DGO = TRANSMISSIONS - ALL AUTOMATIC

AR = use ase required - = Non illustrated part

Cylinder Block
Figure 2.5LD-310



ITEM	PART NUMBER	QTY	LINE	SERIES	BODY	ENGINE	TRANS	TRIM	DESCRIPTION
1997 3/4 Engine - 04897849AA									
1998 3/4 Engine - 05011964AA									
1999 3/4 Engine - 05014068AA									
NOTE: EN0=All 2.5L Diesel Engines									
1	04723118	4				EN0			SHIM KIT, Cylinder Liner
2	04720625	4				EN0			O RING, Cylinder Liner
3	04720627	8				EN0			O RING, Cylinder Liner
4	04720626	4				EN0			O RING, Cylinder Liner
5	04720620	AR				EN0			SHIM, Cylinder Liner, 0.15mm
-6	04720624	AR				EN0			SHIM, Cylinder Liner, 0.17mm
-7	04720621	AR				EN0			SHIM, Cylinder Liner, 0.20mm
-8	04720623	AR				EN0			SHIM, Cylinder Liner, 0.23mm
-9	04720622	AR				EN0			SHIM, Cylinder Liner, 0.25mm
10	04720611	4				EN0			LINER, Cylinder
11	04864537	2				EN0			BOLT, 8Mx20
12	04778808	1				EN0			HOUSING, Pilot Bearing
13	04864532	4				EN0			LINER AND PISTON, Cylinder
14	04864532	4							WASHER, Adaptor Plate, (NOT REQUIRED)
15	05003532AA	4				EN0			BOLT, Adaptor Plate
16	04778806	1				EN0			STIFFENER, Flywheel Housing
17	04778961	6				EN0			NUT
18	04797758	2				EN0			DOWEL, Transmission Adapter
19	05003533AA	2				EN0			BOLT, M10x45

CHEROKEE (XJ)

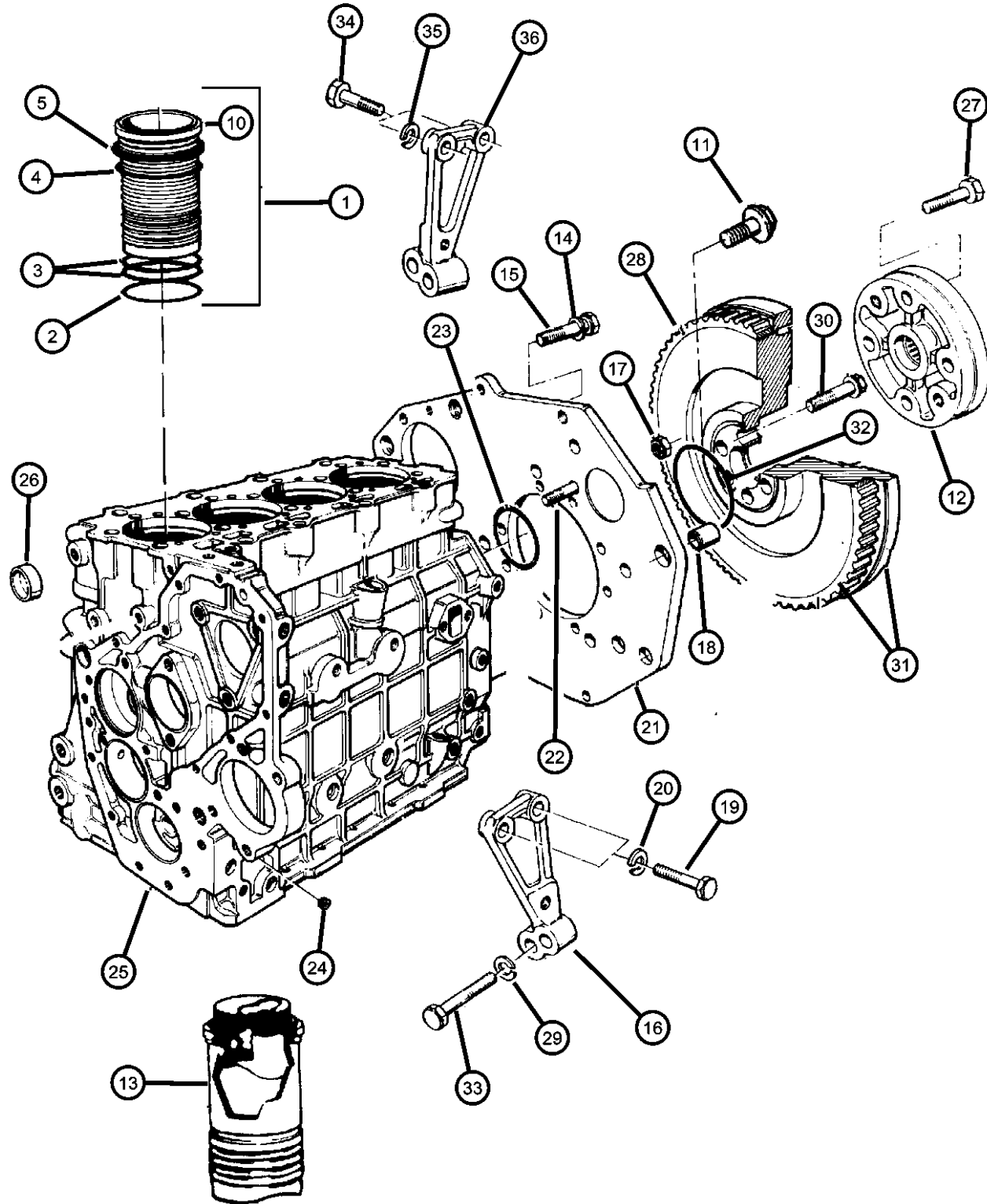
SERIES LINE
 L = LOWLINE B = JEEP - 2WD (RHD)
 U = JEEP - 4WD (RHD)
 T = LHD - (2WD)
 J = JEEP - - LHD (4WD)

BODY
 72 = 2DR (101.4 WB)
 74 = 4 DR (101.4 WB)

ENGINE TRANSMISSION
 ENC = 2.5L 4 Cyl Turbo Diesel Engine DCB = Transmission - 4-Speed Manual, T3340
 EPE = Engine - 2.5L Power Tech I-4 Cyl. DDQ = 5-Speed Manual Transmission
 ERH = 4.0L Power Tech I-6 Engine DDX = 5-Speed HD Manual Transmission
 ENO = Engines - ALL 4/5 CYL Turbo Diesel DGD = 3-Spd. Automatic 30RH Transmission
 ERO = Engines - All 4.0L 6 Cyl Gas DGK = 4-Spd. Automatic 42RE Transmission
 EPO = ENGINES - ALL 2.5L 4 CYL GAS DGS = 4-Speed Automatic AW4 Transmission
 DGT = 4-Spd. Automatic 46RE Transmission
 DGW = TRANSMISSION - 4-SPD. AUTOMATIC, 44RE
 DGX = 4-Speed Automatic Transmission
 DGY = No Description Available
 DGZ = Transmission- 4-Spd. Automatic, MT643
 DBB = ALL MANUAL TRANSMISSIONS
 DGO = TRANSMISSIONS - ALL AUTOMATIC

AR = use ase required - = Non illustrated part

Cylinder Block
Figure 2.5LD-310



ITEM	PART NUMBER	QTY	LINE	SERIES	BODY	ENGINE	TRANS	TRIM	DESCRIPTION
20	05003533AA	2							WASHER, Tow Hook, (NOT REQUIRED)
21	04886254AA	1				ENO			HOUSING, Flywheel
22	04720677	6				ENO			STUD, Adaptor Plate
23	04863833	1				ENO			O RING
24	04883425AA	1				ENO			PLUG
25	04883425AA	1							BLOCK, Cylinder, (NOT SERVICED)
26	04778887	1				ENO			PLUG, Cylinder Block Oil Hole
27	04864534	4				ENO			BOLT, Adaptor Plate
28	04883427AA	1				ENO			GEAR, Ring
29	04883427AA	1							WASHER, Injection Pump, (NOT REQUIRED)
30	04720232	6				ENO			BOLT, Flywheel
31	04883426AA	1				ENO			FLYWHEEL
32	04720240	1				ENO			O RING, Flywheel To Crankshaft
33	05003534AA	2				ENO			BOLT, M12x55
34	04897253AA	2				ENO			BOLT, Hex Flange Head, M10x35
35	04897253AA	2							WASHER, Tow Hook, (NOT REQUIRED)
36	04796394	1				ENO			STIFFENER, Flywheel Housing

CHEROKEE (XJ)

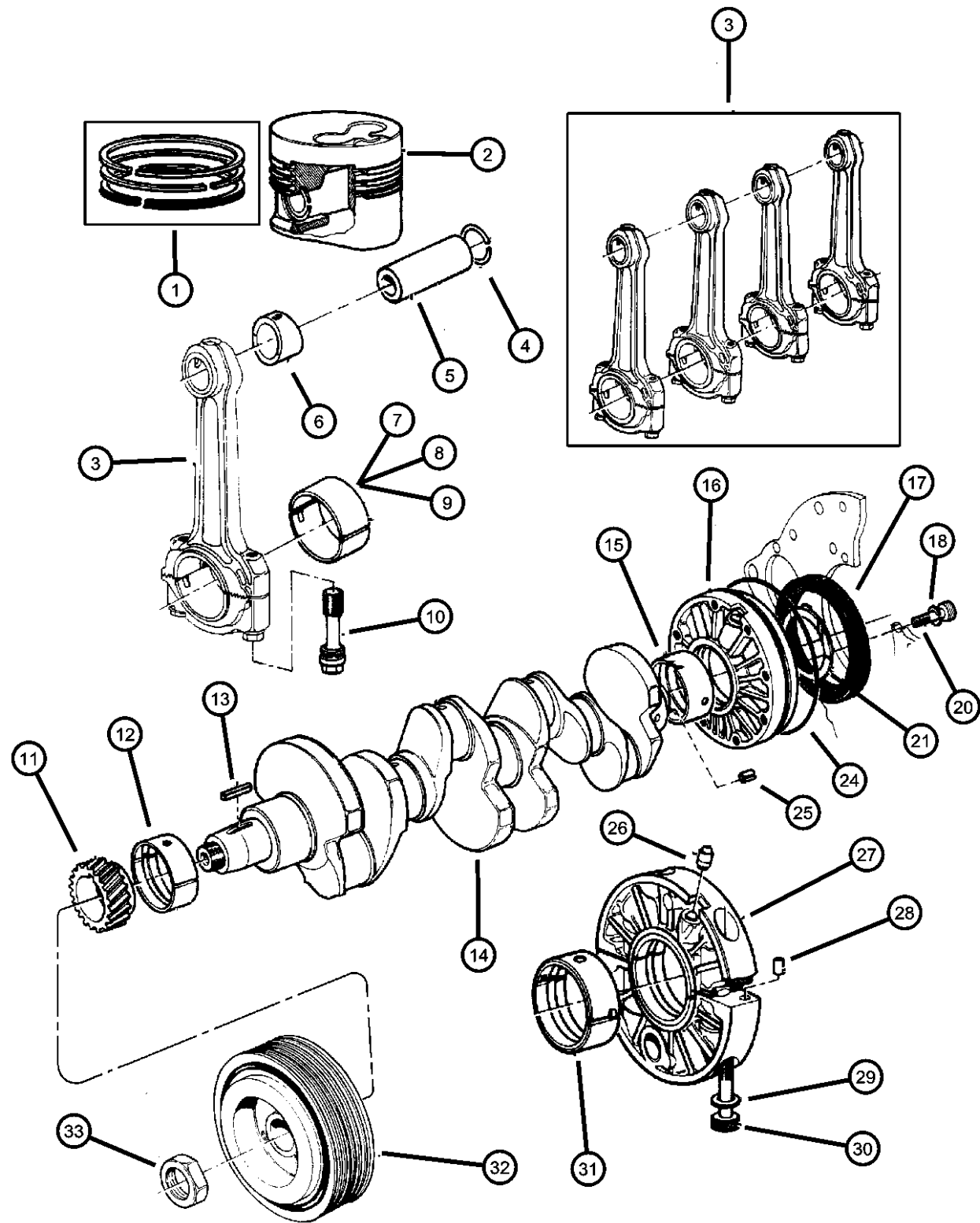
SERIES LINE
 L = LOWLINE B = JEEP - 2WD (RHD)
 U = JEEP - 4WD (RHD)
 T = LHD - (2WD)
 J = JEEP - - LHD (4WD)

BODY
 72 = 2DR (101.4 WB)
 74 = 4 DR (101.4 WB)

ENGINE TRANSMISSION
 ENC = 2.5L 4 Cyl Turbo Diesel Engine DCB = Transmission - 4-Speed Manual,T3340
 EPE = Engine - 2.5L Power Tech I-4 Cyl. DDQ = 5-Speed Manual Transmission
 ERH = 4.0L Power Tech I-6 Engine DDG = 5-Speed HD Manual Transmission
 ENO = Engines - ALL 4/5 CYL Turbo Diesel DGD = 3-Spd. Automatic 30RH Transmission
 ERO = Engines - All 4.0L 6 Cyl Gas DGK = 4-Spd. Automatic 42RE Transmission
 EPO = ENGINES - ALL 2.5L 4 CYL GAS DGS = 4-Speed Automatic AW4 Transmission
 DGT = 4-Spd. Automatic 46RE Transmission
 DGW = TRANSMISSION - 4-SPD. AUTOMATIC,44RE
 DGX = 4-Speed Automatic Transmission
 DGY = No Description Available
 DGZ = Transmission- 4-Spd. Automatic,MT643
 DBB = ALL MANUAL TRANSMISSIONS
 DGO = TRANSMISSIONS - ALL AUTOMATIC

AR = use ase required - = Non illustrated part

Crankshaft, Piston and Torque Converter
Figure 2.5LD-410



ITEM	PART NUMBER	QTY	LINE	SERIES	BODY	ENGINE	TRANS	TRIM	DESCRIPTION
------	-------------	-----	------	--------	------	--------	-------	------	-------------

NOTE: EN0=All 2.5L Diesel Engines

1	04720084	4				EN0			RING KIT, Piston, Standard
2	04864190	4				EN0			PISTON
3	04723122	1				EN0			ROD, Connecting
4	04720099	8				EN0			RING, Piston Pin
5	04720099	8							PIN, Piston, Serviced in Piston, (NOT SERVICED)
6	04723160	4				EN0			BUSHING, Connecting Rod
7	04720877	4				EN0			BUSHING, Connecting Rod
8	04720882	AR				EN0			BEARING, Connecting Rod, .010" U/S
9	04720883	AR				EN0			BEARING, Connecting Rod, .25 mm U/S
10	04883386AA	8				EN0			BOLT, Connecting Rod
11	04882402	1				EN0			GEAR, Crankshaft
12									BEARING, Crankshaft
	04720885	1				EN0			Standard
	04720886	AR				EN0			.125mm
	04720887	AR				EN0			.250mm
13	05003529AA	1				EN0			KEY, Crankshaft Sprocket
14	04864538	1				EN0			CRANKSHAFT
15									BEARING, Crankshaft
	04864539	1				EN0			Standard
	04864540	AR				EN0			.125mm
	04864541	AR				EN0			.250mm

CHEROKEE (XJ)

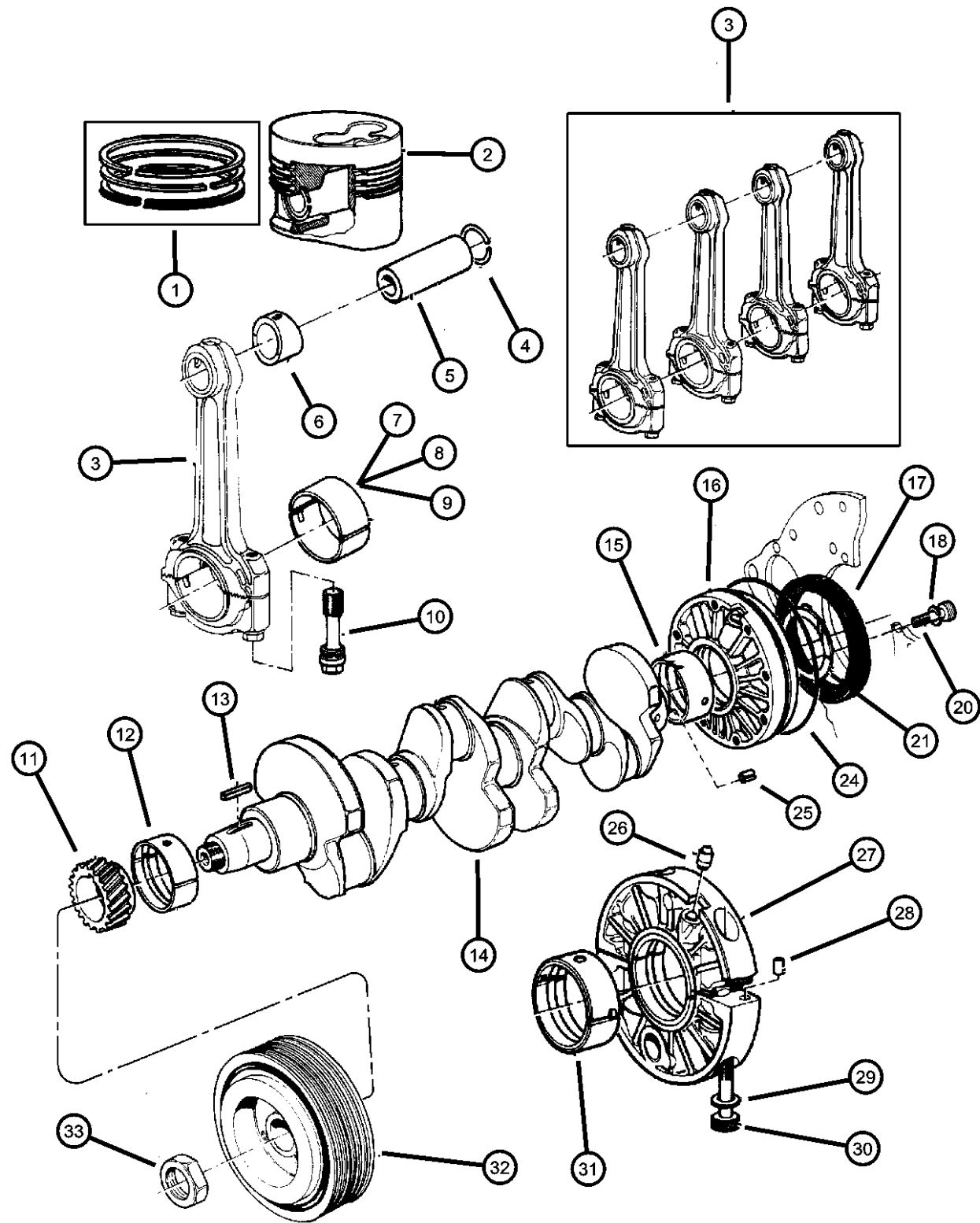
SERIES LINE
 L = LOWLINE B = JEEP - 2WD (RHD)
 U = JEEP - 4WD (RHD)
 T = LHD - (2WD)
 J = JEEP - - LHD (4WD)

BODY
 72 = 2DR (101.4 WB)
 74 = 4 DR (101.4 WB)

ENGINE TRANSMISSION
 ENC = 2.5L 4 Cyl Turbo Diesel Engine DCB = Transmission - 4-Speed Manual,T3340
 EPE = Engine - 2.5L Power Tech I-4 Cyl. DDQ = 5-Speed Manual Transmission
 ERH = 4.0L Power Tech I-6 Engine DDX = 5-Speed HD Manual Transmission
 ENO = Engines - ALL 4/5 CYL Turbo Diesel DGD = 3-Spd. Automatic 30RH Transmission
 ERO = Engines - All 4.0L 6 Cyl Gas DGK = 4-Spd. Automatic 42RE Transmission
 EPO = ENGINES - ALL 2.5L 4 CYL GAS DGS = 4-Speed Automatic AW4 Transmission
 DGT = 4-Spd. Automatic 46RE Transmission
 DGW = TRANSMISSION - 4-SPD. AUTOMATIC,44RE
 DGX = 4-Speed Automatic Transmission
 DGY = No Description Available
 DGZ = Transmission- 4-Spd. Automatic,MT643
 DBB = ALL MANUAL TRANSMISSIONS
 DGO = TRANSMISSIONS - ALL AUTOMATIC

AR = use ase required - = Non illustrated part

Crankshaft, Piston and Torque Converter
Figure 2.5LD-410



ITEM	PART NUMBER	QTY	LINE	SERIES	BODY	ENGINE	TRANS	TRIM	DESCRIPTION
16	04864542	1				ENO			HOUSING, Rear Bearing
17	04720283	1				ENO			SEAL, Rear Main Crankshaft
18	04720283	1							WASHER, Lock, M6, (NOT REQUIRED)
-19	04723204	8				ENO			WASHER, Implement Attaching
20	04720284	8				ENO			SCREW, Rear Crankshaft Support
21	04864046	1				ENO			WASHER, Thrust
-22	04864543	AR				ENO			WASHER, Thrust, 0.10 Oversize
-23	04864544	AR				ENO			WASHER, Thrust, 0.20 Oversize
24	04720277	1				ENO			O RING, Crankshaft Rear Support
25	04723158AB	1				ENO			PIN, Dowel
26	04720246AB	3				ENO			JET, Piston Oil Cooler
27	04723161	3				ENO			HOUSING, Crankshaft Bearing
28	04720241	6				ENO			DOWEL, Center Bearing Housing
29	04720243	6				ENO			WASHER, Lock, M10
30	04720242	6				ENO			SCREW
31									BEARING, Crankshaft
	04720889	3				ENO			Standard
	04720890	AR				ENO			.125mm
	04720892	AR				ENO			.250mm
32	04886225AA	1				ENO			DAMPER, Crankshaft
33	04720273	1				ENO			NUT, Damper Pulley

CHEROKEE (XJ)

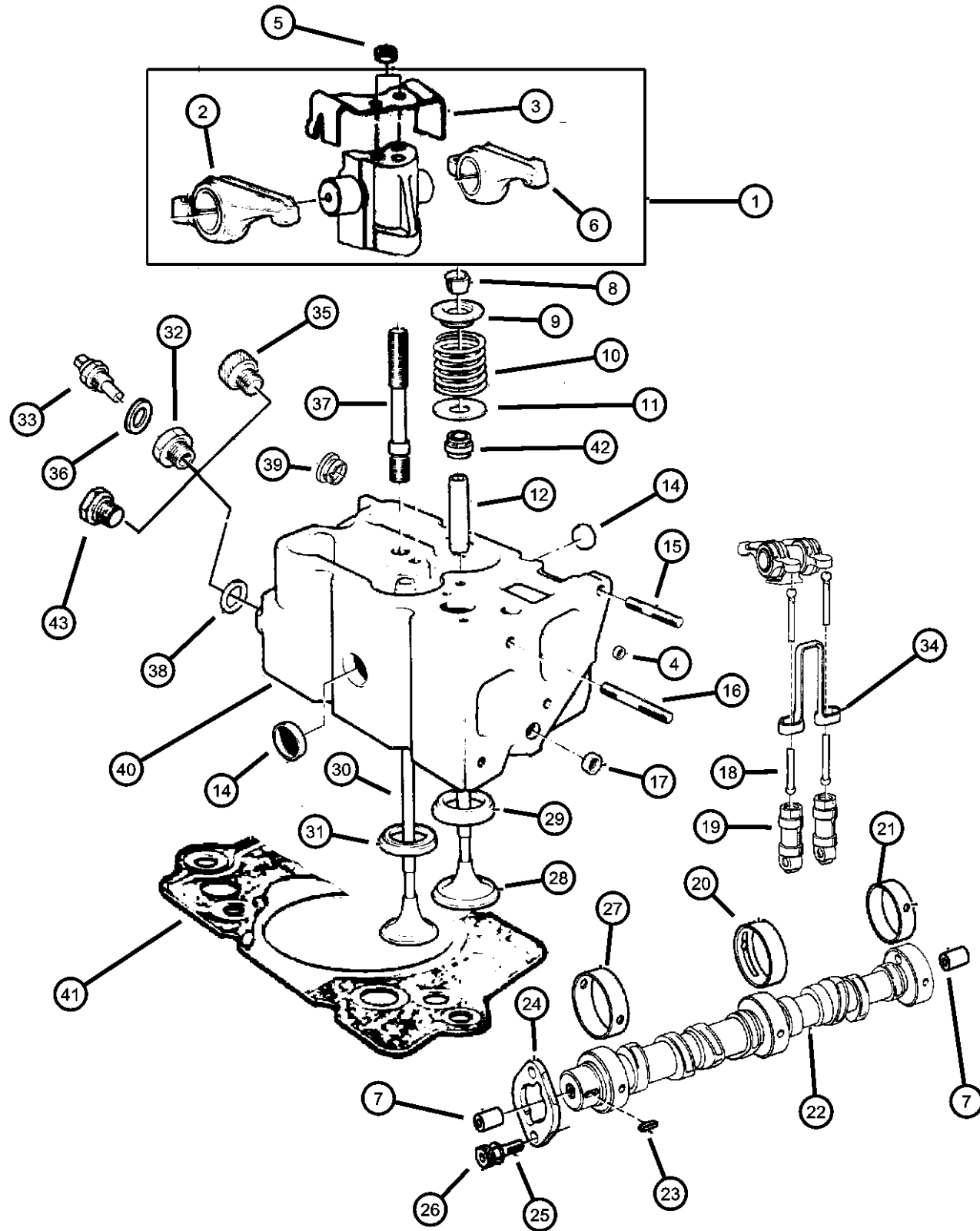
SERIES LINE
 L = LOWLINE B = JEEP - 2WD (RHD)
 U = JEEP - 4WD (RHD)
 T = LHD - (2WD)
 J = JEEP - - LHD (4WD)

BODY
 72 = 2DR (101.4 WB)
 74 = 4 DR (101.4 WB)

ENGINE TRANSMISSION
 ENC = 2.5L 4 Cyl Turbo Diesel Engine DCB = Transmission - 4-Speed Manual, T3340
 EPE = Engine - 2.5L Power Tech I-4 Cyl. DDQ = 5-Speed Manual Transmission
 ERH = 4.0L Power Tech I-6 Engine DDX = 5-Speed HD Manual Transmission
 ENO = Engines - ALL 4/5 CYL Turbo Diesel DGD = 3-Spd. Automatic 30RH Transmission
 ERO = Engines - All 4.0L 6 Cyl Gas DGK = 4-Spd. Automatic 42RE Transmission
 EPO = ENGINES - ALL 2.5L 4 CYL GAS DGS = 4-Speed Automatic AW4 Transmission
 DGT = 4-Spd. Automatic 46RE Transmission
 DGW = TRANSMISSION - 4-SPD. AUTOMATIC, 44RE
 DGX = 4-Speed Automatic Transmission
 DGY = No Description Available
 DGZ = Transmission- 4-Spd. Automatic, MT643
 DBB = ALL MANUAL TRANSMISSIONS
 DGO = TRANSMISSIONS - ALL AUTOMATIC

AR = use ase required - = Non illustrated part

Camshaft and Valves
Figure 2.5LD-510



ITEM	PART NUMBER	QTY	LINE	SERIES	BODY	ENGINE	TRANS	TRIM	DESCRIPTION
------	-------------	-----	------	--------	------	--------	-------	------	-------------

NOTE: EN0=All 2.5L Diesel Engines

1	04883397AA	4				EN0			ROCKER ARM, Inlet and Exhaust Valve
2	04883399AA	4				EN0			ROCKER ARM, Exhaust
3	04863861	4				EN0			SPRING, Valve
4	04723196AB	2				EN0			PLUG, Camshaft
5	04883396AA	8				EN0			NUT
6	04883398AA	4				EN0			ROCKER ARM, Intake
7	04723196AB	2				EN0			PLUG, Camshaft
8	04720155	16				EN0			LOCK, Valve Spring Retainer
9	04720152	8				EN0			RETAINER, Valve Spring
10	04720158	8				EN0			SPRING, Valve
11	04720153	8				EN0			WASHER, Plain
12	04883417AA	8				EN0			GUIDE, Intake/Exhaust Valve, Standard Size
-13	04883820AA	AR				EN0			GUIDE, Intake/Exhaust Valve, 0.10mm Oversize
14	04723228	8				EN0			PLUG, Cylinder Block Oil Hole
15	04723241	3				EN0			STUD
16	04882405	8				EN0			STUD
17	04723210	4				EN0			PLUG, Cylinder Block Oil Hole
18	04883395AA	8				EN0			PUSH ROD, Valve
19	04773712	8				EN0			TAPPET, Valve
20	04720220	1				EN0			BEARING, Camshaft
21	04720219	1				EN0			BEARING, Camshaft

CHEROKEE (XJ)

SERIES LINE
L = LOWLINE B = JEEP - 2WD (RHD)
U = JEEP - 4WD (RHD)
T = LHD - (2WD)
J = JEEP - - LHD (4WD)

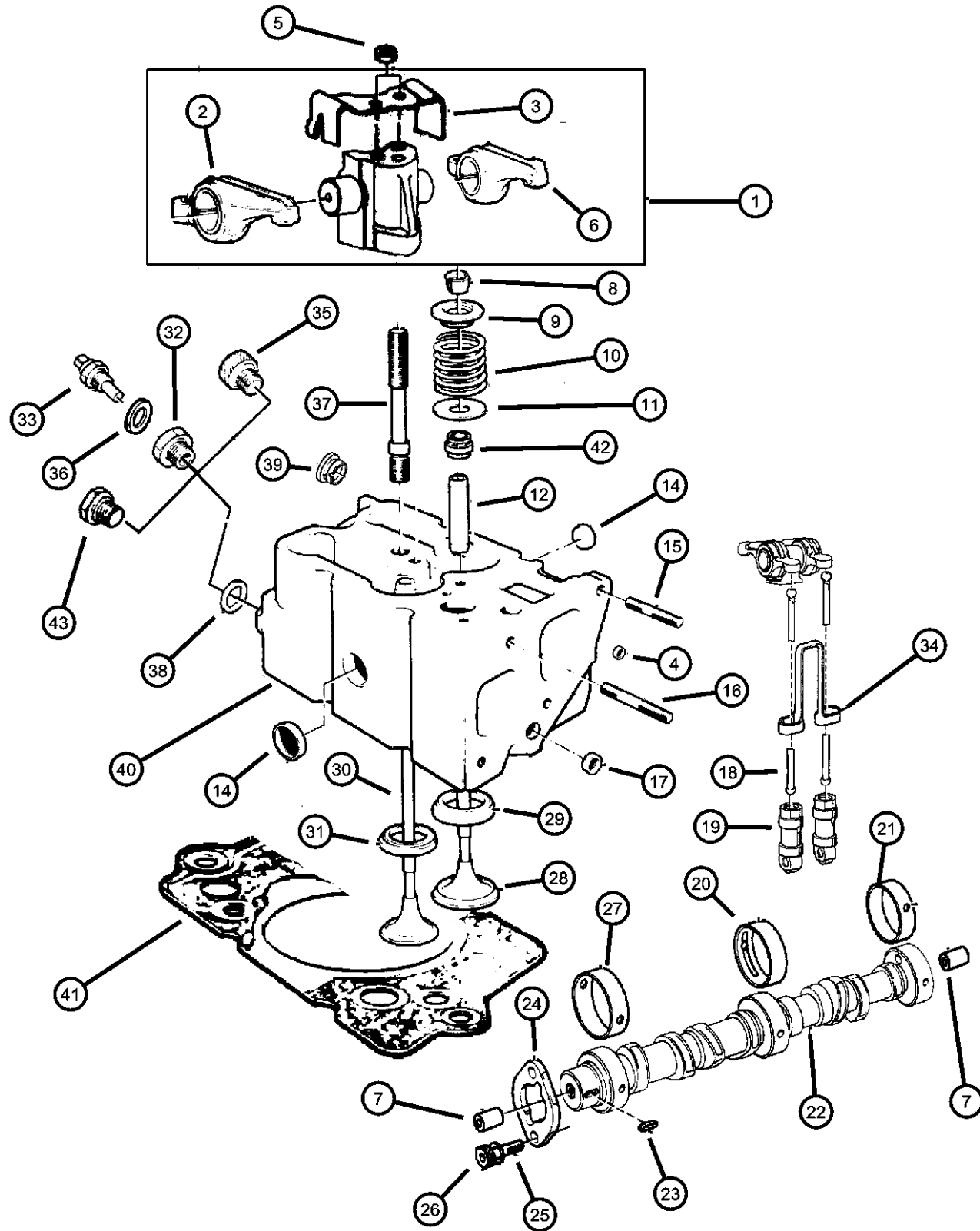
BODY
72 = 2DR (101.4 WB)
74 = 4 DR (101.4 WB)

ENGINE TRANSMISSION
ENC = 2.5L 4 Cyl Turbo Diesel Engine DCB = Transmission - 4-Speed Manual, T3340
EPE = Engine - 2.5L Power Tech I-4 Cyl. DDQ = 5-Speed Manual Transmission
ERH = 4.0L Power Tech I-6 Engine DDX = 5-Speed HD Manual Transmission
DGD = 3-Spd. Automatic 30RH Transmission
ENO = Engines - ALL 4/5 CYL Turbo Diesel DGK = 4-Spd. Automatic 42RE Transmission
ERO = Engines - All 4.0L 6 Cyl Gas DGS = 4-Speed Automatic AW4 Transmission
EPO = ENGINES - ALL 2.5L 4 CYL GAS DGT = 4-Spd. Automatic 46RE Transmission
DGW = TRANSMISSION - 4-SPD. AUTOMATIC, 44RE
DGX = 4-Speed Automatic Transmission
DGY = No Description Available
DGZ = Transmission- 4-Spd. Automatic, MT643
DBB = ALL MANUAL TRANSMISSIONS
DGO = TRANSMISSIONS - ALL AUTOMATIC

AR = use ase required - = Non illustrated part

1998 XJ

Camshaft and Valves
Figure 2.5LD-510



ITEM	PART NUMBER	QTY	LINE	SERIES	BODY	ENGINE	TRANS	TRIM	DESCRIPTION
22	04882399	1				ENO			CAMSHAFT, Engine
23	04720137	1				ENO			KEY, Camshaft Sprocket
24	04723163	1				ENO			PLATE, Camshaft Thrust
25	04723165	2				ENO			WASHER, P Clip
26	04720135	3				ENO			BOLT, Hex Head, M8x18
27	04720218	1				ENO			BEARING, Camshaft
28	04720146	4				ENO			VALVE, Intake, Standard
29	04883418AA	4				ENO			SEAT, Intake Valve
30	04720148	4				ENO			VALVE, Exhaust, Standard
31	04883419AA	4				ENO			SEAT, Exhaust Valve
32	04720581	1				ENO			ADAPTER, Temperature Sensor
33	04863824	1				ENO			SENSOR, Temperature Sending Unit
34	04773701	4				ENO			BRACKET, Antirotation
35	04720159	1				ENO			PLUG, Cylinder Block Oil Hole
36	04720703	1				ENO			WASHER, Plain
37	04897831AA	8				ENO			STUD
38	04723246	1				ENO			WASHER, Plain
39	04863769	4				ENO			PLUG
40	04883416AA	4				ENO			HEAD, Cylinder
41									GASKET, Cylinder Head
	04863781	1				ENO			1.42
	04863782	AR				ENO			1.52

CHEROKEE (XJ)

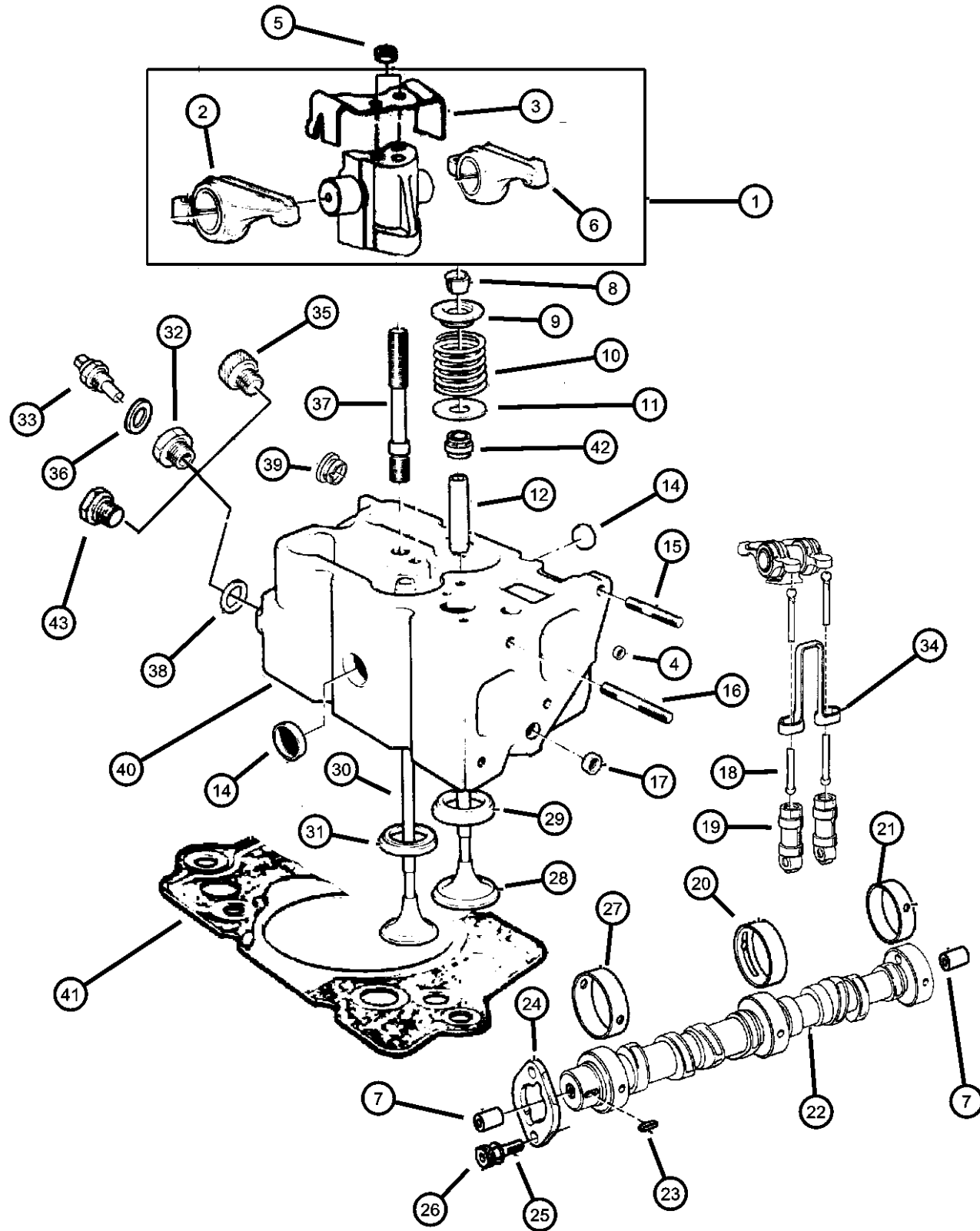
SERIES LINE
 L = LOWLINE B = JEEP - 2WD (RHD)
 U = JEEP - 4WD (RHD)
 T = LHD - (2WD)
 J = JEEP - - LHD (4WD)

BODY
 72 = 2DR (101.4 WB)
 74 = 4 DR (101.4 WB)

ENGINE TRANSMISSION
 ENC = 2.5L 4 Cyl Turbo Diesel Engine
 EPE = Engine - 2.5L Power Tech I-4 Cyl.
 ERH = 4.0L Power Tech I-6 Engine
 ENO = Engines - ALL 4/5 CYL Turbo Diesel
 ERO = Engines - All 4.0L 6 Cyl Gas
 EPO = ENGINES - ALL 2.5L 4 CYL GAS
 DCB = Transmission - 4-Speed Manual, T3340
 DDQ = 5-Speed Manual Transmission
 DDX = 5-Speed HD Manual Transmission
 DGD = 3-Spd. Automatic 30RH Transmission
 DGK = 4-Spd. Automatic 42RE Transmission
 DGS = 4-Speed Automatic AW4 Transmission
 DGT = 4-Spd. Automatic 46RE Transmission
 DGW = TRANSMISSION - 4-SPD. AUTOMATIC, 44RE
 DGX = 4-Speed Automatic Transmission
 DGY = No Description Available
 DGZ = Transmission- 4-Spd. Automatic, MT643
 DBB = ALL MANUAL TRANSMISSIONS
 DGO = TRANSMISSIONS - ALL AUTOMATIC

AR = use ase required - = Non illustrated part

Camshaft and Valves
Figure 2.5LD-510



ITEM	PART NUMBER	QTY	LINE	SERIES	BODY	ENGINE	TRANS	TRIM	DESCRIPTION
	04863783	AR				ENO			1.62
42	04863783	AR							SEAL, Valve Guide, (NOT REQUIRED),
43	04863783	AR							PLUG, (NOT REQUIRED)

CHEROKEE (XJ)

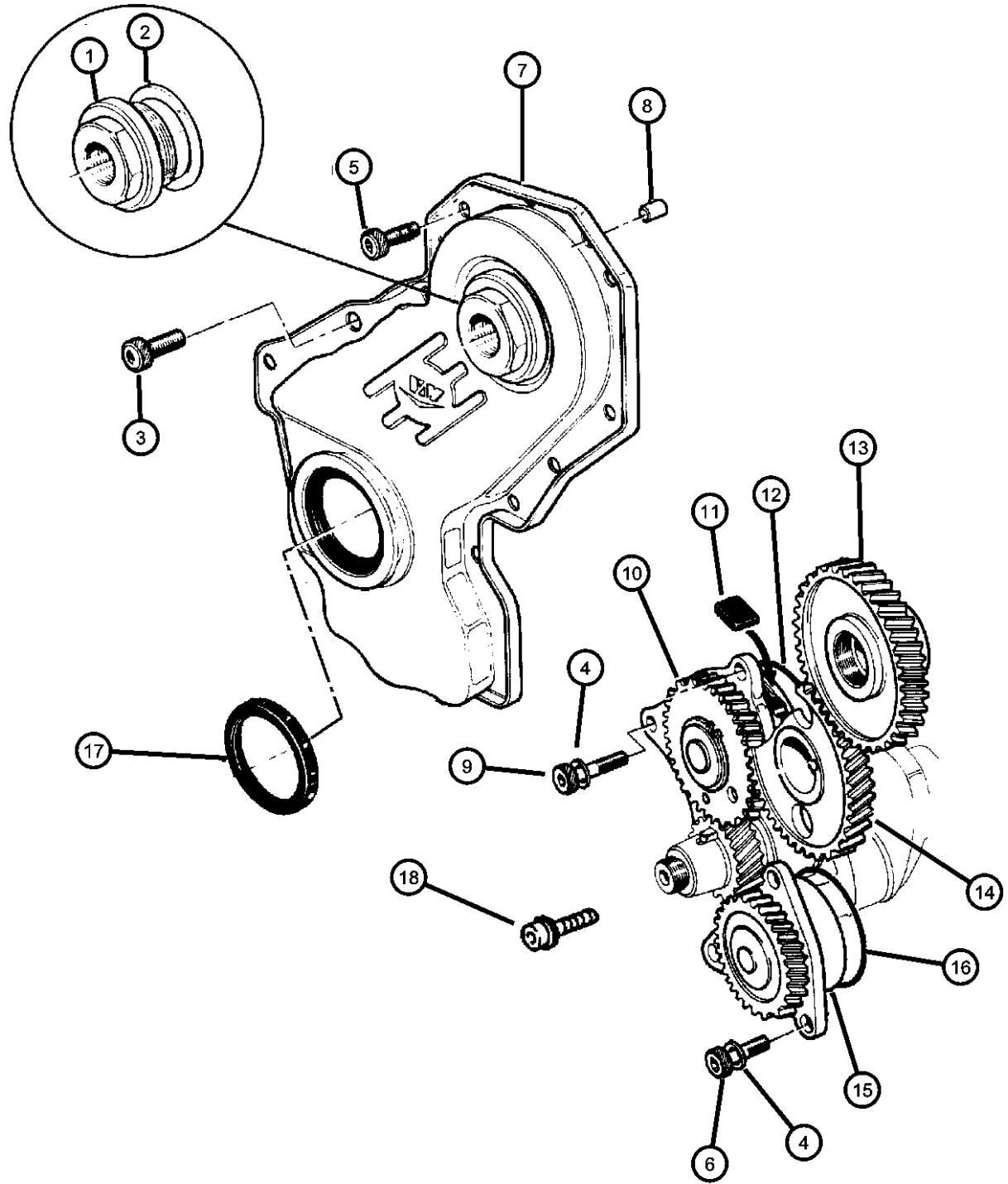
SERIES LINE
L = LOWLINE B = JEEP - 2WD (RHD)
U = JEEP - 4WD (RHD)
T = LHD - (2WD)
J = JEEP - - LHD (4WD)

BODY
72 = 2DR (101.4 WB)
74 = 4 DR (101.4 WB)

ENGINE TRANSMISSION
ENC = 2.5L 4 Cyl Turbo Diesel Engine
EPE = Engine - 2.5L Power Tech I-4 Cyl.
ERH = 4.0L Power Tech I-6 Engine
ENO = Engines - ALL 4/5 CYL Turbo Diesel
ERO = Engines - All 4.0L 6 Cyl Gas
EPO = ENGINES - ALL 2.5L 4 CYL GAS
DCB = Transmission - 4-Speed Manual,T3340
DDQ = 5-Speed Manual Transmission
DDX = 5-Speed HD Manual Transmission
DGD = 3-Spd. Automatic 30RH Transmission
DGK = 4-Spd. Automatic 42RE Transmission
DGS = 4-Speed Automatic AW4 Transmission
DGT = 4-Spd. Automatic 46RE Transmission
DGW = TRANSMISSION - 4-SPD. AUTOMATIC,44RE
DGX = 4-Speed Automatic Transmission
DGY = No Description Available
DGZ = Transmission- 4-Spd. Automatic,MT643
DBB = ALL MANUAL TRANSMISSIONS
DGO = TRANSMISSIONS - ALL AUTOMATIC

AR = use ase required - = Non illustrated part

**Timing Cover
Figure 2.5LD-610**



ITEM	PART NUMBER	QTY	LINE	SERIES	BODY	ENGINE	TRANS	TRIM	DESCRIPTION
------	-------------	-----	------	--------	------	--------	-------	------	-------------

NOTE: EN0=All 2.5L Diesel Engines

1	04778839	1				EN0			COVER, Timing Belt
2	04720290	1				EN0			GASKET, Engine Oil Plug
3	04864559	3				EN0			SCREW
4	04720565	3				EN0			WASHER, Tube Bolt
5	04864550	15				EN0			SCREW
6	04720135	3				EN0			BOLT, Hex Head, M8x18
7	05010853AA	1				EN0			COVER, Timing Belt
8	04720304	2				EN0			DOWEL, Front Cover
9	04720136	3				EN0			BOLT, Hex Head, M8x20
10	05003716AA	1				EN0			PUMP, Vacuum
11	05010821AA	1				EN0			INSERT, Vacuum Pump Rotor
12	05010821AA	1							O RING, (NOT REQUIRED)
13	04882412	1				EN0			GEAR, Injection Pump
14	04882403	1				EN0			GEAR, Camshaft
15	04723233	1				EN0			PUMP, Engine Oil
16	04720239	1				EN0			O RING, Adaptor Plate
17	05010856AA	1				EN0			SEAL, Timing Belt Cover
18	05010856AA	1							BOLT, (NOT REQUIRED)

CHEROKEE (XJ)

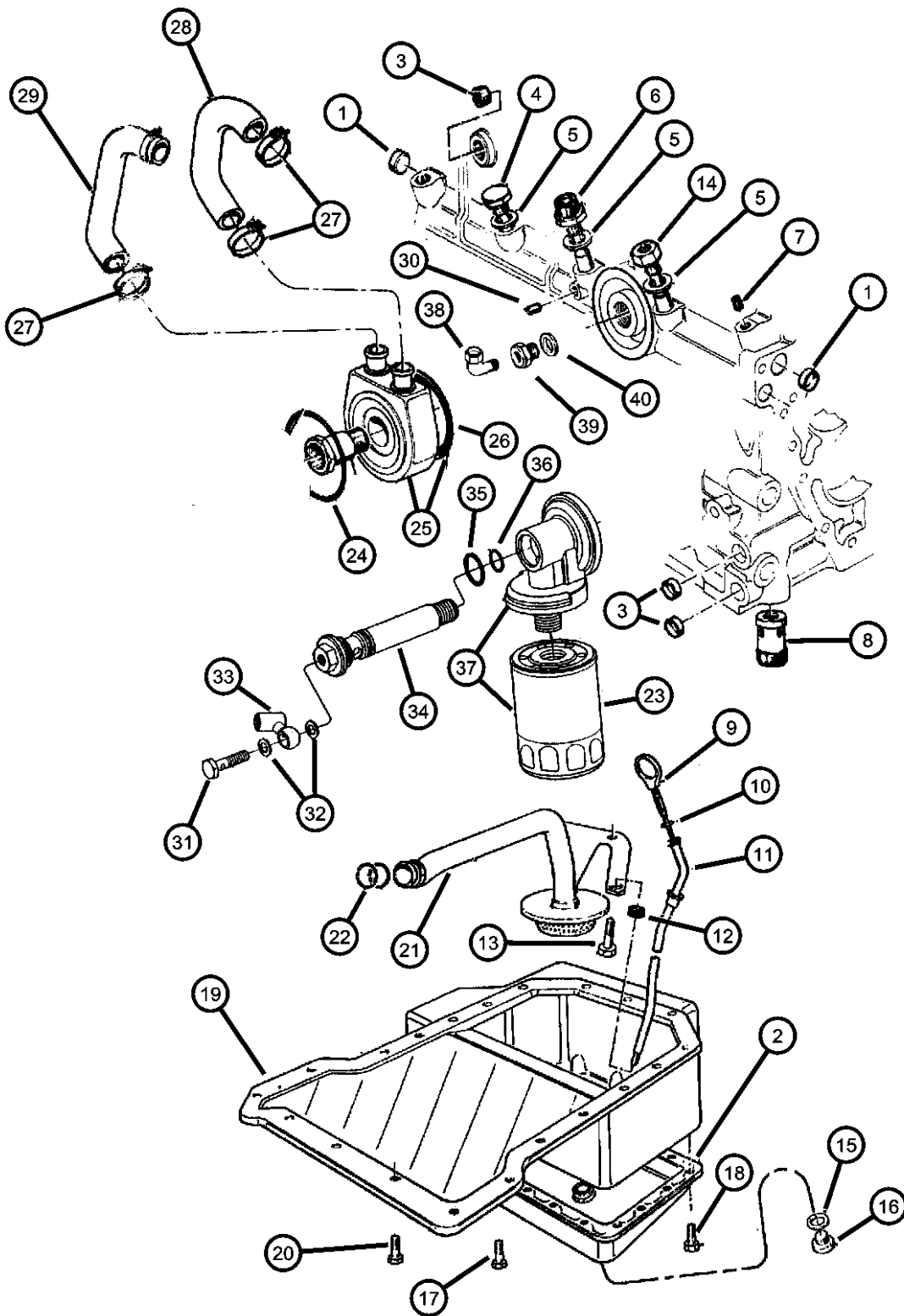
SERIES LINE
 L = LOWLINE B = JEEP - 2WD (RHD)
 U = JEEP - 4WD (RHD)
 T = LHD - (2WD)
 J = JEEP - - LHD (4WD)

BODY
 72 = 2DR (101.4 WB)
 74 = 4 DR (101.4 WB)

ENGINE TRANSMISSION
 ENC = 2.5L 4 Cyl Turbo Diesel Engine
 EPE = Engine - 2.5L Power Tech I-4 Cyl.
 ERH = 4.0L Power Tech I-6 Engine
 ENO = Engines - ALL 4/5 CYL Turbo Diesel
 ERO = Engines - All 4.0L 6 Cyl Gas
 EPO = ENGINES - ALL 2.5L 4 CYL GAS
 DCB = Transmission - 4-Speed Manual,T3340
 DDQ = 5-Speed Manual Transmission
 DDX = 5-Speed HD Manual Transmission
 DGD = 3-Spd. Automatic 30RH Transmission
 DGK = 4-Spd. Automatic 42RE Transmission
 DGS = 4-Speed Automatic AW4 Transmission
 DGT = 4-Spd. Automatic 46RE Transmission
 DGW = TRANSMISSION - 4-SPD. AUTOMATIC,44RE
 DGX = 4-Speed Automatic Transmission
 DGY = No Description Available
 DGZ = Transmission- 4-Spd. Automatic,MT643
 DBB = ALL MANUAL TRANSMISSIONS
 DGO = TRANSMISSIONS - ALL AUTOMATIC

AR = use ase required - = Non illustrated part

**Engine Oiling
Figure 2.5LD-710**



ITEM	PART NUMBER	QTY	LINE	SERIES	BODY	ENGINE	TRANS	TRIM	DESCRIPTION
------	-------------	-----	------	--------	------	--------	-------	------	-------------

NOTE: EN0=All 2.5L Diesel Engines

1	04723211	2				EN0			PLUG, Cylinder Block Oil Hole
2	04778933	1				EN0			COVER, Oil Pump
3	04883424AA	2				EN0			PLUG
4	04720726	2				EN0			BOLT, Oil Feed To Turbo Adapter
5	04720704	4				EN0			WASHER, Oil Pressure Transducer
6	04720709	1				EN0			BOLT, Turbo Oil Feed Adapter
7	04883424AA	2				EN0			PLUG, Cylinder Block
8	05003543AA	1				EN0			VALVE, Oil Pressure Relief
9	04778947	1				EN0			INDICATOR, Engine Oil Level
10	04720373	1				EN0			O RING, Engine Oil Indicator
11	04882408	1				EN0			TUBE, Oil Gauge
12	04720362	1				EN0			GASKET, Engine Oil Indicator Pipe
13	04864550	1				EN0			SCREW
14	04720726	2				EN0			BOLT, Oil Feed To Turbo Adapter
15	04720353	1				EN0			WASHER, Plain
16	04720352	1				EN0			PLUG, Oil Drain
17	04864550	4				EN0			SCREW
18	04864559	3				EN0			SCREW
19	04778935	1				EN0			PAN, Engine Oil
20	04864551	20				EN0			SCREW
21	04778937	1				EN0			PICKUP, Engine Oil
22	04720374	1				EN0			O RING, Oil Suction Tube

CHEROKEE (XJ)

SERIES LINE
 L = LOWLINE B = JEEP - 2WD (RHD)
 U = JEEP - 4WD (RHD)
 T = LHD - (2WD)
 J = JEEP - - LHD (4WD)

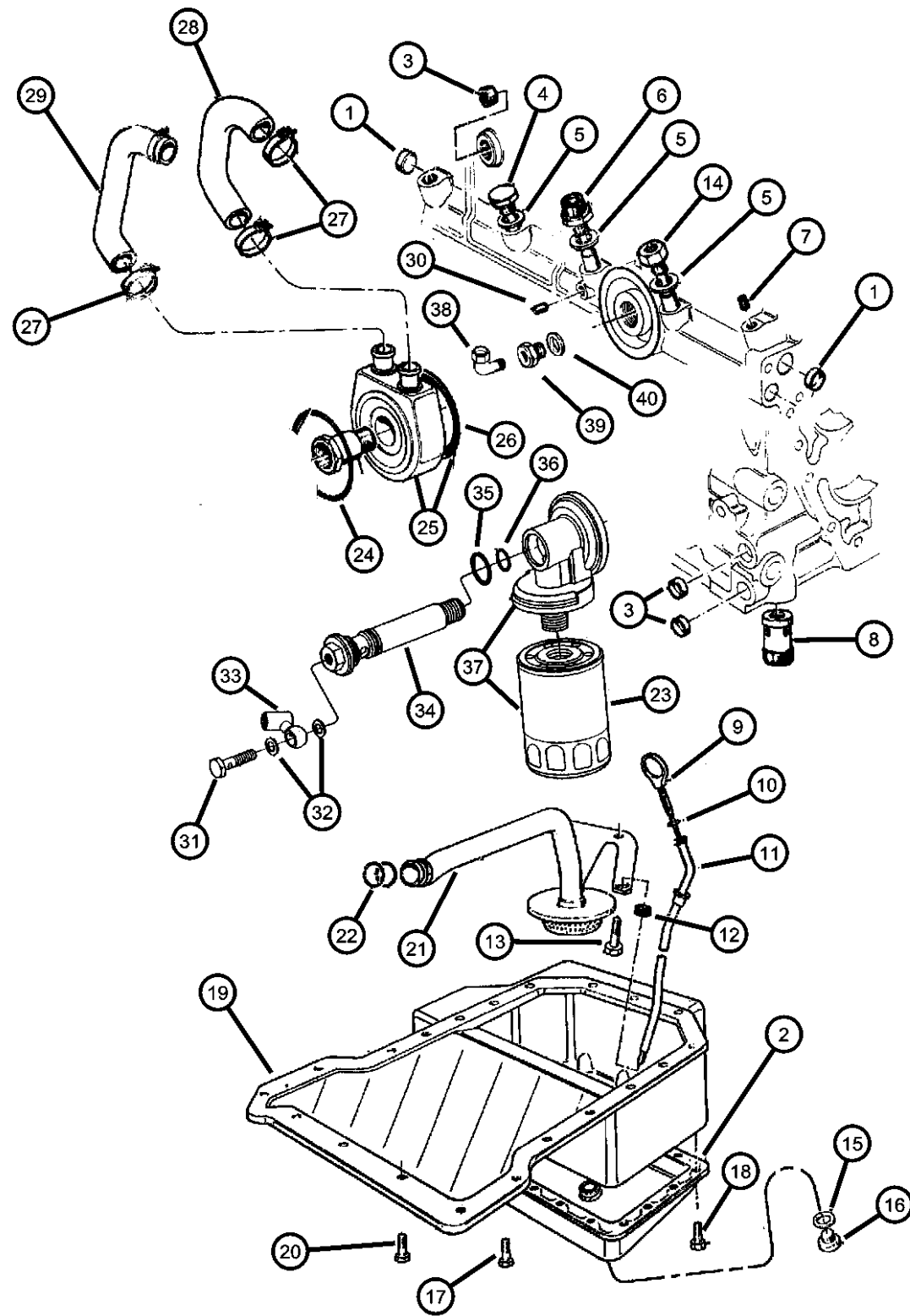
BODY
 72 = 2DR (101.4 WB)
 74 = 4 DR (101.4 WB)

ENGINE TRANSMISSION
 ENC = 2.5L 4 Cyl Turbo Diesel Engine
 EPE = Engine - 2.5L Power Tech I-4 Cyl.
 ERH = 4.0L Power Tech I-6 Engine
 ENO = Engines - ALL 4/5 CYL Turbo Diesel
 ERO = Engines - All 4.0L 6 Cyl Gas
 EPO = ENGINES - ALL 2.5L 4 CYL GAS

DCB = Transmission - 4-Speed Manual,T3340
 DDQ = 5-Speed Manual Transmission
 DDG = 5-Speed HD Manual Transmission
 DGD = 3-Spd. Automatic 30RH Transmission
 DGK = 4-Spd. Automatic 42RE Transmission
 DGS = 4-Speed Automatic AW4 Transmission
 DGT = 4-Spd. Automatic 46RE Transmission
 DGW = TRANSMISSION - 4-SPD. AUTOMATIC,44RE
 DGX = 4-Speed Automatic Transmission
 DGY = No Description Available
 DGZ = Transmission- 4-Spd. Automatic,MT643
 DBB = ALL MANUAL TRANSMISSIONS
 DGO = TRANSMISSIONS - ALL AUTOMATIC

AR = use ase required - = Non illustrated part

Engine Oiling
Figure 2.5LD-710



ITEM	PART NUMBER	QTY	LINE	SERIES	BODY	ENGINE	TRANS	TRIM	DESCRIPTION
23	05003558AA	1				ENO			FILTER, Engine Oil
24	04720375	1				ENO			O RING, Oil Filter Base
25	04720366	1				ENO			COOLER, Engine Oil
26	04723217	1				ENO			O RING, Oil Cooler
27	04883924AA	4				ENO			CLAMP, Heater Hose
28	04864578	1				ENO			HOSE, Oil Cooler
29	04778988	1				ENO			HOSE, Engine Oil Cooler
30	04883424AA	2				ENO			PLUG, Cylinder Block
31	04883424AA	2							BOLT, Banjo, (NOT REQUIRED)
32	04883424AA	2							WASHER, Plain, (NOT REQUIRED)
33	04883424AA	2							BOLT, Banjo, (NOT REQUIRED)
34	05003559AA	1				ENO			ADAPTER, Oil Pressure Sender
35	04723334	1				ENO			GASKET, Valve
36	04886305AA	1				ENO			O RING, Oil Filter Adapter
37	05010893AA	1				ENO			BASE, Oil Filter
38	05010893AA	1							ADAPTER, Oil Pressure Sender, (NOT REQUIRED)
39	05010893AA	1							ADAPTER, Oil Pressure Sender, (NOT REQUIRED)
40	05010893AA	1							WASHER, Plain, 16.2x19.9x1.5, (NOT REQUIRED)

CHEROKEE (XJ)

SERIES LINE
 L = LOWLINE B = JEEP - 2WD (RHD)
 U = JEEP - 4WD (RHD)
 T = LHD - (2WD)
 J = JEEP - - LHD (4WD)

BODY
 72 = 2DR (101.4 WB)
 74 = 4 DR (101.4 WB)

ENGINE TRANSMISSION
 ENC = 2.5L 4 Cyl Turbo Diesel Engine
 EPE = Engine - 2.5L Power Tech I-4 Cyl.
 ERH = 4.0L Power Tech I-6 Engine
 ENO = Engines - ALL 4/5 CYL Turbo Diesel
 ERO = Engines - All 4.0L 6 Cyl Gas
 EPO = ENGINES - ALL 2.5L 4 CYL GAS
 DCB = Transmission - 4-Speed Manual, T3340
 DDQ = 5-Speed Manual Transmission
 DDG = 5-Speed HD Manual Transmission
 DGD = 3-Spd. Automatic 30RH Transmission
 DGK = 4-Spd. Automatic 42RE Transmission
 DGS = 4-Speed Automatic AW4 Transmission
 DGT = 4-Spd. Automatic 46RE Transmission
 DGW = TRANSMISSION - 4-SPD. AUTOMATIC, 44RE
 DGX = 4-Speed Automatic Transmission
 DGY = No Description Available
 DGZ = Transmission- 4-Spd. Automatic, MT643
 DBB = ALL MANUAL TRANSMISSIONS
 DGO = TRANSMISSIONS - ALL AUTOMATIC

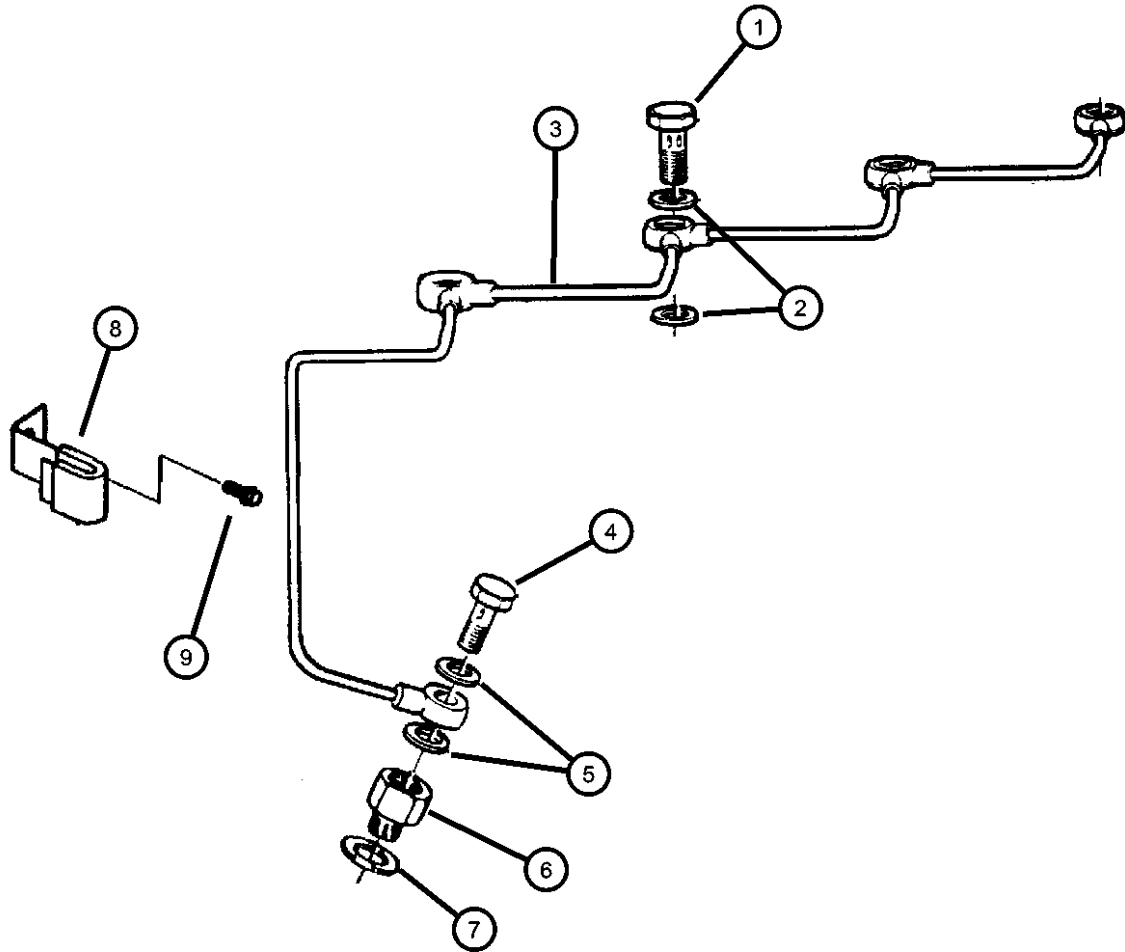
AR = use ase required - = Non illustrated part

Oil Lines
Figure 2.5LD-720

ITEM	PART NUMBER	QTY	LINE	SERIES	BODY	ENGINE	TRANS	TRIM	DESCRIPTION
------	-------------	-----	------	--------	------	--------	-------	------	-------------

NOTE: EN0=All 2.5L Diesel Engines

1	04720358	1				EN0			BOLT, Banjo
2	04720554	2				EN0			WASHER, Banjo
3	04864023	1				EN0			TUBE, Oil Feed
4	04720358	1				EN0			BOLT, Banjo
5	04720554	2				EN0			WASHER, Banjo
6	04863777	1				EN0			UNION
7	04720704	4				EN0			WASHER, Oil Pressure Transducer
8	04720704	4							STIFFENER, Flywheel Housing, (NOT REQUIRED)
9	04720704	4							BOLT, M5x10, (NOT REQUIRED)

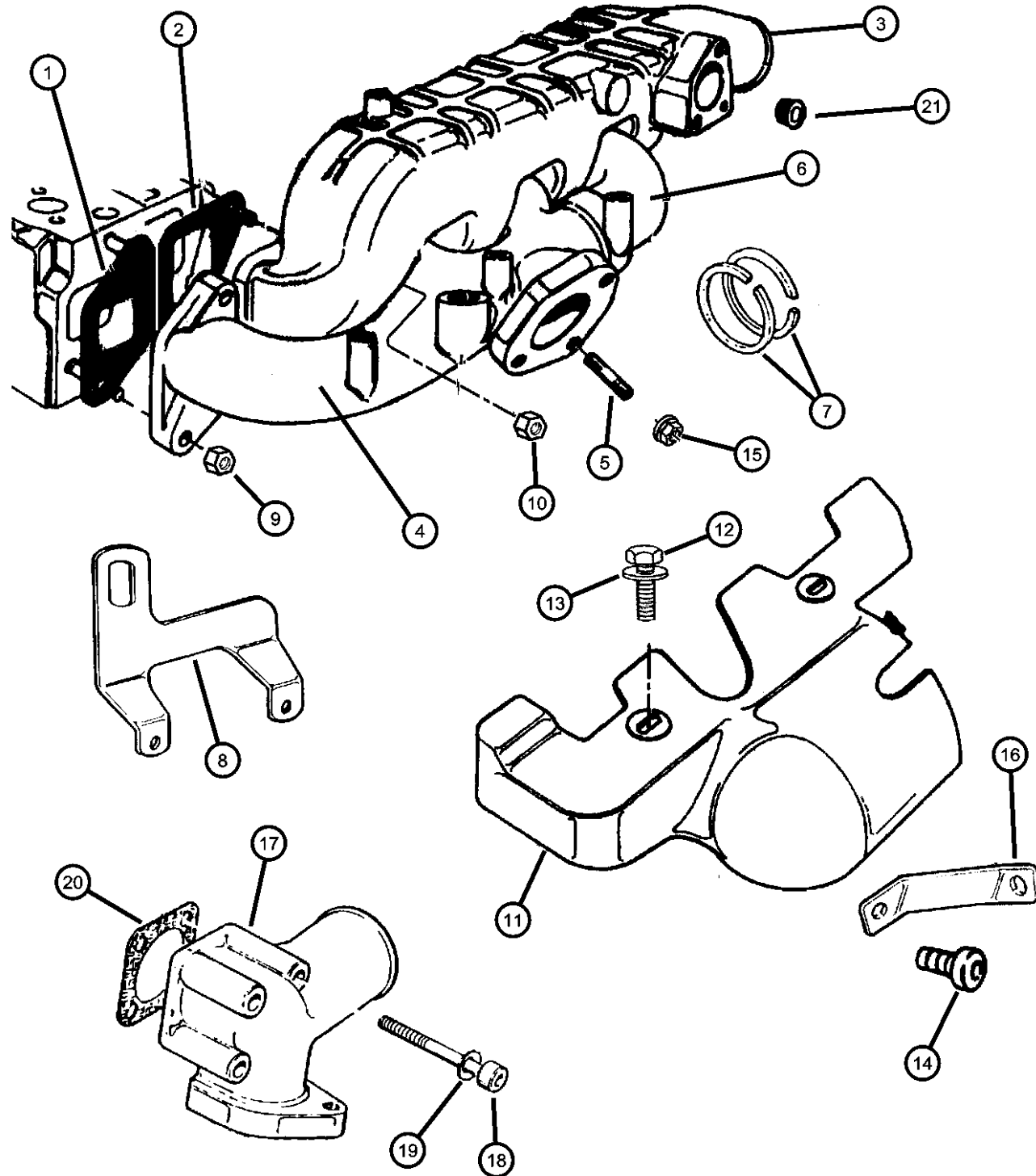


CHEROKEE (XJ)

SERIES	LINE	BODY	ENGINE	TRANSMISSION
L = LOWLINE	B = JEEP - 2WD (RHD) U = JEEP - 4WD (RHD) T = LHD - (2WD) J = JEEP - - LHD (4WD)	72 = 2DR (101.4 WB) 74 = 4 DR (101.4 WB)	ENC = 2.5L 4 Cyl Turbo Diesel Engine EPE = Engine - 2.5L Power Tech I-4 Cyl. ERH = 4.0L Power Tech I-6 Engine ENO = Engines - ALL 4/5 CYL Turbo Diesel ERO = Engines - All 4.0L 6 Cyl Gas EPO = ENGINES - ALL 2.5L 4 CYL GAS	DCB = Transmission - 4-Speed Manual,T3340 DDQ = 5-Speed Manual Transmission DDX = 5-Speed HD Manual Transmission DGD = 3-Spd. Automatic 30RH Transmission DGK = 4-Spd. Automatic 42RE Transmission DGS = 4-Speed Automatic AW4 Transmission DGT = 4-Spd. Automatic 46RE Transmission DGW = TRANSMISSION - 4-SPD. AUTOMATIC,44RE DGX = 4-Speed Automatic Transmission DGY = No Description Available DGZ = Transmission- 4-Spd. Automatic,MT643 DBB = ALL MANUAL TRANSMISSIONS DGO = TRANSMISSIONS - ALL AUTOMATIC

AR = use ase required - = Non illustrated part

**Manifold, Intake and Exhaust
Figure 2.5LD-810**



ITEM	PART NUMBER	QTY	LINE	SERIES	BODY	ENGINE	TRANS	TRIM	DESCRIPTION
NOTE: EN0=All 2.5L Diesel Engines									
1	05003546AA	1				EN0			GASKET, Intake/Exhaust Manifold
2	05003546AA	1							GASKET PACKAGE, Intake Manifold, (NOT REQUIRED)
3	04778959	1				EN0			MANIFOLD, Intake
4	04778957	1				EN0			MANIFOLD, Exhaust
5	04882606	3				EN0			STUD, Turbo Elbow
6	04778960	1				EN0			MANIFOLD, Exhaust
7	04720214	2				EN0			CIRCLIP, Exhaust Manifold
8	04778954	1				EN0			BRACKET, Engine Lift
9	04882611	8				EN0			NUT, Lock
10	04778961	8				EN0			NUT
11	04864752	1				EN0			SHIELD, Heat
12	04728183	2				EN0			BOLT, Exhaust Shield
13	04723279	3				EN0			WASHER, Starter
14	04864550	1				EN0			BOLT, M6x10
15	04882610	3				EN0			NUT, Lock
16	04796396	1				EN0			BRACKET, Heat Shield
17	04778963	1				EN0			ELBOW, Intake Manifold Vacuum
18	04886291AA	4				EN0			BOLT, Water Manifold
19	04723204	4				EN0			WASHER, Implement Attaching
20	04720207	1				EN0			GASKET, Intake Connector
21	04720207	1							PLUG, (NOT REQUIRED)

CHEROKEE (XJ)

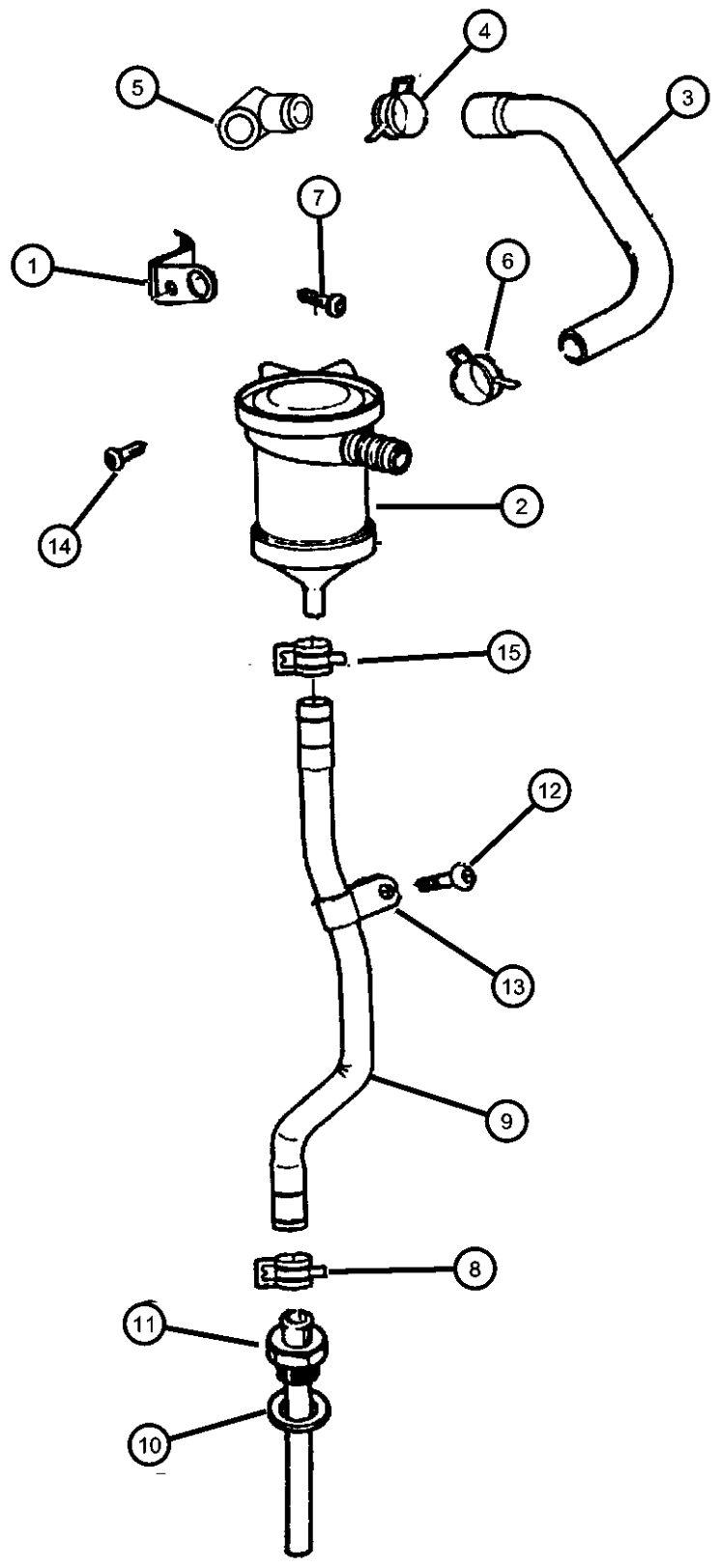
SERIES LINE
 L = LOWLINE B = JEEP - 2WD (RHD)
 U = JEEP - 4WD (RHD)
 T = LHD - (2WD)
 J = JEEP - - LHD (4WD)

BODY
 72 = 2DR (101.4 WB)
 74 = 4 DR (101.4 WB)

ENGINE TRANSMISSION
 ENC = 2.5L 4 Cyl Turbo Diesel Engine DCB = Transmission - 4-Speed Manual,T3340
 EPE = Engine - 2.5L Power Tech I-4 Cyl. DDQ = 5-Speed Manual Transmission
 ERH = 4.0L Power Tech I-6 Engine DDX = 5-Speed HD Manual Transmission
 ENO = Engines - ALL 4/5 CYL Turbo Diesel DGD = 3-Spd. Automatic 30RH Transmission
 ERO = Engines - All 4.0L 6 Cyl Gas DGK = 4-Spd. Automatic 42RE Transmission
 EPO = ENGINES - ALL 2.5L 4 CYL GAS DGS = 4-Speed Automatic AW4 Transmission
 DGT = 4-Spd. Automatic 46RE Transmission
 DGW = TRANSMISSION - 4-SPD. AUTOMATIC,44RE
 DGX = 4-Speed Automatic Transmission
 DGY = No Description Available
 DGZ = Transmission- 4-Spd. Automatic,MT643
 DBB = ALL MANUAL TRANSMISSIONS
 DGO = TRANSMISSIONS - ALL AUTOMATIC

AR = use ase required - = Non illustrated part

**Crankcase Ventilation
Figure 2.5LD-910**



ITEM	PART NUMBER	QTY	LINE	SERIES	BODY	ENGINE	TRANS	TRIM	DESCRIPTION
------	-------------	-----	------	--------	------	--------	-------	------	-------------

NOTE: EN0=All 2.5L Diesel Engines

1	04883452AA	1				EN0			BRACKET, Oil Seperator, Engine
2	04863796	1				EN0			SEPERATOR, Oil
3	04886290AA	1				EN0			PIPE, Oil Separator
4	04886044AA	1				EN0			CLAMP, Heater Hose
5	04720691	1				EN0			ADAPTER, Crankcase Vent
6	04883924AA	1				EN0			CLAMP, Heater Hose
7	04864550	1				EN0			SCREW
8	04886051AA	1				EN0			CLAMP, Oil Seperator Hose
9	04883454AA	1				EN0			TUBE, Oil Separator Drain
10	04720704	1				EN0			WASHER, Oil Pressure Transduser
11	04778942	1				EN0			ADAPTER, Oil Drain Pipe
12	04864559	3				EN0			SCREW
13	04886223AA	1				EN0			P CLIP
14	04864551	20				EN0			SCREW
15	04883924AA	4				EN0			CLAMP, Heater Hose

CHEROKEE (XJ)

SERIES	LINE	BODY	ENGINE	TRANSMISSION
L = LOWLINE	B = JEEP - 2WD (RHD) U = JEEP - 4WD (RHD) T = LHD - (2WD) J = JEEP - - LHD (4WD)	72 = 2DR (101.4 WB) 74 = 4 DR (101.4 WB)	ENC = 2.5L 4 Cyl Turbo Diesel Engine EPE = Engine - 2.5L Power Tech I-4 Cyl. ERH = 4.0L Power Tech I-6 Engine ENO = Engines - ALL 4/5 CYL Turbo Diesel ERO = Engines - All 4.0L 6 Cyl Gas EPO = ENGINES - ALL 2.5L 4 CYL GAS	DCB = Transmission - 4-Speed Manual,T3340 DDQ = 5-Speed Manual Transmission DDX = 5-Speed HD Manual Transmission DGD = 3-Spd. Automatic 30RH Transmission DGK = 4-Spd. Automatic 42RE Transmission DGS = 4-Speed Automatic AW4 Transmission DGT = 4-Spd. Automatic 46RE Transmission DGW = TRANSMISSION - 4-SPD. AUTOMATIC,44RE DGX = 4-Speed Automatic Transmission DGY = No Description Available DGZ = Transmission- 4-Spd. Automatic,MT643 DBB = ALL MANUAL TRANSMISSIONS DGO = TRANSMISSIONS - ALL AUTOMATIC

AR = use ase required - = Non illustrated part

Group - 11

Exhaust

Group - 11 Exhaust

Illustration Title

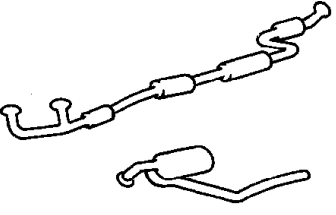
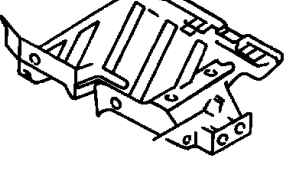
Group-Fig. No.

Exhaust System

Exhaust System Fig. 11 - 120
 Exhaust System Fig. 11 - 140
 Exhaust System Fig. 11 - 145

Heat Shields

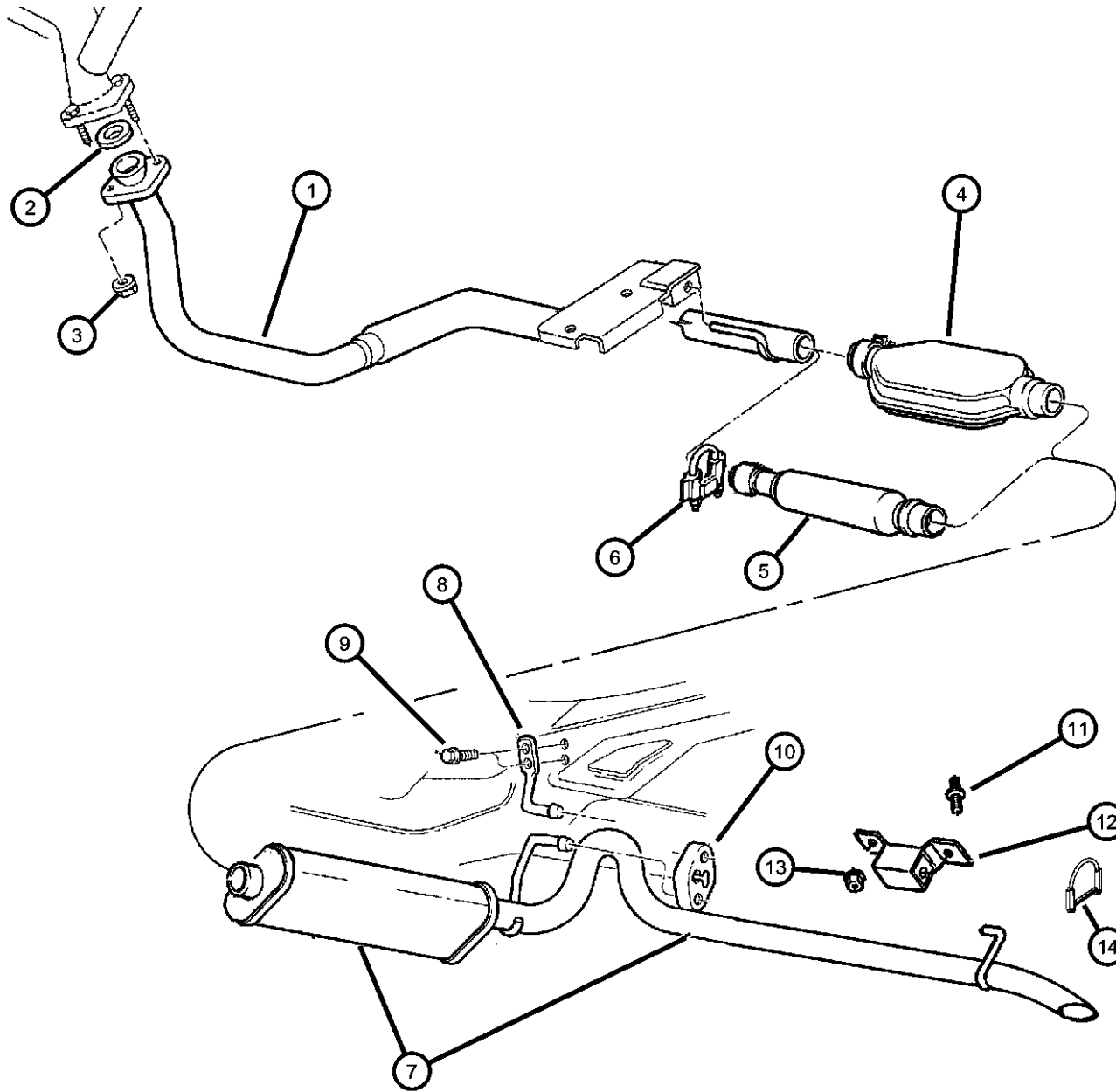
Heat Shields Fig. 11 - 210

<p>011-100 Exhaust System</p> 	<p>011-200 Heat Shields</p> 		
---	--	--	--

**Exhaust System
Figure 11-120**

ITEM	PART NUMBER	QTY	LINE	SERIES	BODY	ENGINE	TRANS	TRIM	DESCRIPTION
------	-------------	-----	------	--------	------	--------	-------	------	-------------

NOTE: EP0=All 2.5L Gas Engines ER0=All 4.0L Engines DD0=All 5 Speed Manual Transmissions



1									PIPE, Exhaust
	52020069	1				ER0			[For 6 Cyl]
	52021003	1				ER0			FRT W/MINI CATALYTIC CONVERTER
	52021047	1				EP0			[For 4 Cyl]
	52101111AB	1				EN0			FRT W/FLEX COUPLING & TWO HANGER
2	52005431	1				ER0			SEAL, Exhaust
	E0031598								Mopar V-Line Alternative Part
3	J4005142	2				EP0, ER0			NUT, Hex Flange Lock
4									CONVERTER, Catalytic
	52019480AD	1				ER0			Federal
	52101221	1				EP0			
	52101401	1				ER0			California
5	52019500	1				EP0, ER0			RESONATOR, Exhaust
6	52018424	1				EP0, ER0			CLAMP, Exhaust
7									MUFFLER AND TAILPIPE, Exhaust
	52101051	1				ER0			
	E0021357								Mopar V-Line Alternative Part Muffler
	E0055188								Mopar V-Line Alternative Part Tailpipe
	E0017340								Dynomax Cat Back Single Exhaust

CHEROKEE (XJ)

SERIES LINE
 L = LOWLINE B = JEEP - 2WD (RHD)
 U = JEEP - 4WD (RHD)
 T = LHD - (2WD)
 J = JEEP - - LHD (4WD)

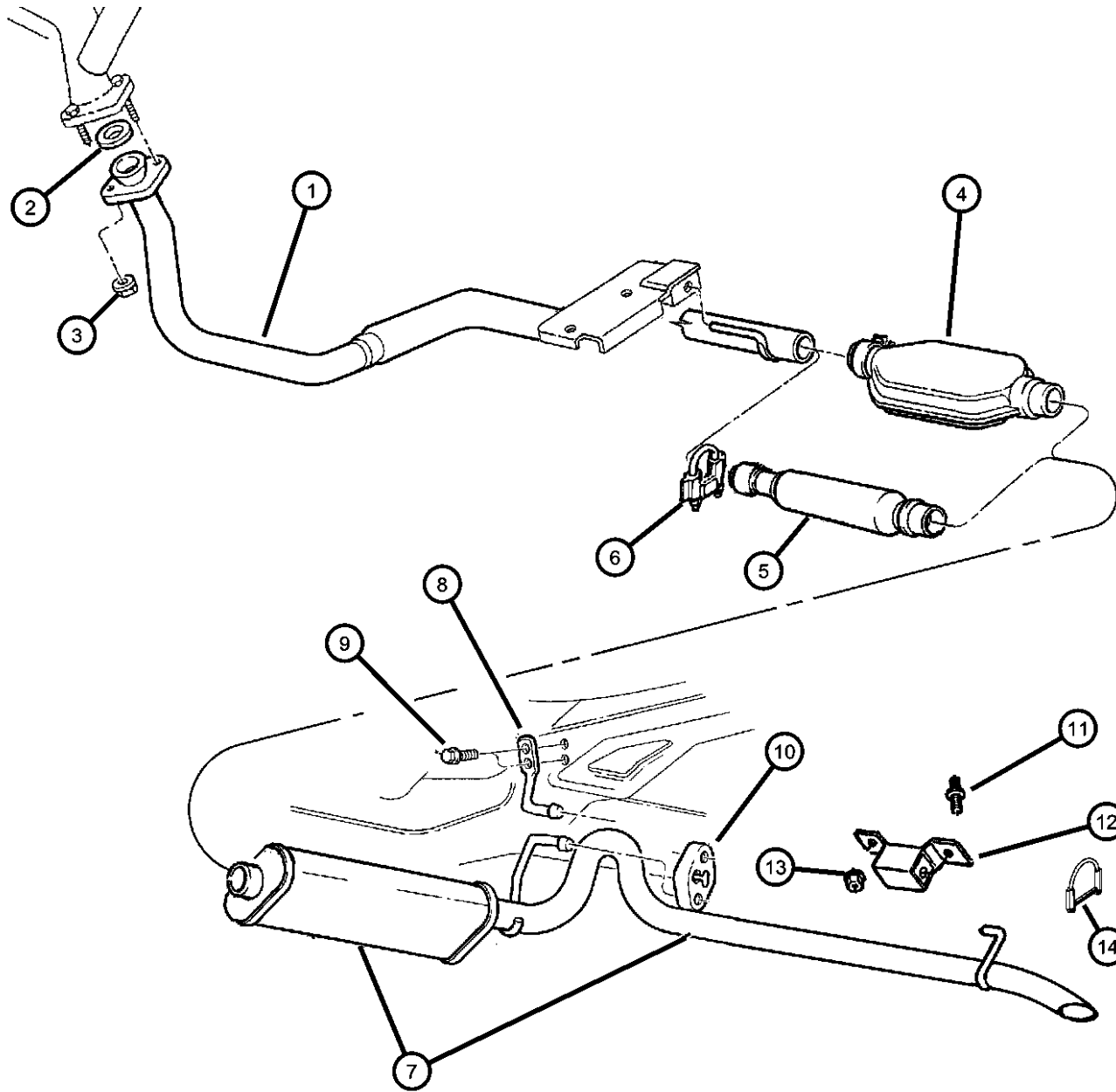
BODY
 72 = 2DR (101.4 WB)
 74 = 4 DR (101.4 WB)

ENGINE TRANSMISSION
 ENC = 2.5L 4 Cyl Turbo Diesel Engine
 EPE = Engine - 2.5L Power Tech I-4 Cyl.
 ERH = 4.0L Power Tech I-6 Engine
 ENO = Engines - ALL 4/5 CYL Turbo Diesel
 ERO = Engines - All 4.0L 6 Cyl Gas
 EP0 = ENGINES - ALL 2.5L 4 CYL GAS
 DCB = Transmission - 4-Speed Manual, T3340
 DDQ = 5-Speed Manual Transmission
 DDX = 5-Speed HD Manual Transmission
 DGD = 3-Spd. Automatic 30RH Transmission
 DGK = 4-Spd. Automatic 42RE Transmission
 DGS = 4-Speed Automatic AW4 Transmission
 DGT = 4-Spd. Automatic 46RE Transmission
 DGW = TRANSMISSION - 4-SPD. AUTOMATIC, 44RE
 DGX = 4-Speed Automatic Transmission
 DGY = No Description Available
 DGZ = Transmission- 4-Spd. Automatic, MT643
 DBB = ALL MANUAL TRANSMISSIONS
 DG0 = TRANSMISSIONS - ALL AUTOMATIC

AR = use ase required - = Non illustrated part

1998 XJ

**Exhaust System
Figure 11-120**



ITEM	PART NUMBER	QTY	LINE	SERIES	BODY	ENGINE	TRANS	TRIM	DESCRIPTION
	52101052	1				EP0			
	E0021357								Mopar V-Line Alternative Part Muffler
	E0055188								Mopar V-Line Alternative Part Tailpipe
	E0017340								Dynomax Cat Back Single Exhaust
8	52002403	1							HANGER, Exhaust
9	J4001933	2							SCREW, Hex Flange Head, .312-x18x.875
10	52001759	1							INSULATOR, Exhaust
11	06504497	2							STUD, Collared, M12x1.75x62
12	52019543AB	1							BRACKET, Tailpipe
13	06100055	2							NUT AND WASHER, Hex Nut-Coned Washer, M12 x 1.75
14	06100055	2							CLAMP, Exhaust, (NOT REQUIRED)
-15									STUD, .375-16x1.69
	J4007109	2				EP0			
		2				ER0			

CHEROKEE (XJ)

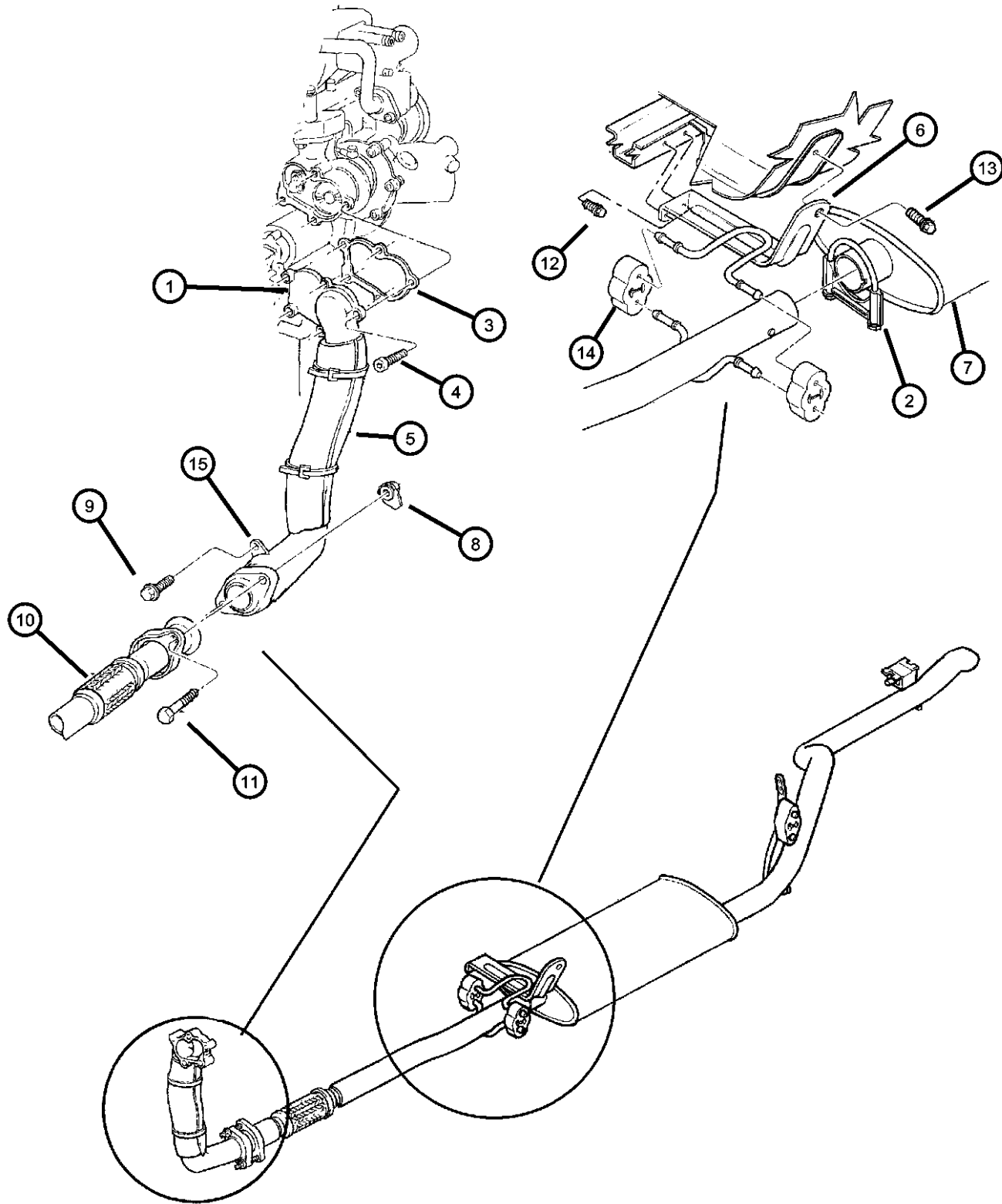
SERIES LINE
 L = LOWLINE B = JEEP - 2WD (RHD)
 U = JEEP - 4WD (RHD)
 T = LHD - (2WD)
 J = JEEP - - LHD (4WD)

BODY
 72 = 2DR (101.4 WB)
 74 = 4 DR (101.4 WB)

ENGINE TRANSMISSION
 ENC = 2.5L 4 Cyl Turbo Diesel Engine DCB = Transmission - 4-Speed Manual,T3340
 EPE = Engine - 2.5L Power Tech I-4 Cyl. DDQ = 5-Speed Manual Transmission
 ERH = 4.0L Power Tech I-6 Engine DDX = 5-Speed HD Manual Transmission
 ENO = Engines - ALL 4/5 CYL Turbo Diesel DGD = 3-Spd. Automatic 30RH Transmission
 ERO = Engines - All 4.0L 6 Cyl Gas DGK = 4-Spd. Automatic 42RE Transmission
 EP0 = ENGINES - ALL 2.5L 4 CYL GAS DGS = 4-Speed Automatic AW4 Transmission
 DGT = 4-Spd. Automatic 46RE Transmission
 DGW = TRANSMISSION - 4-SPD. AUTOMATIC,44RE
 DGX = 4-Speed Automatic Transmission
 DGY = No Description Available
 DGZ = Transmission- 4-Spd. Automatic,MT643
 DBB = ALL MANUAL TRANSMISSIONS
 DG0 = TRANSMISSIONS - ALL AUTOMATIC

AR = use ase required - = Non illustrated part

**Exhaust System
Figure 11-140**



ITEM	PART NUMBER	QTY	LINE	SERIES	BODY	ENGINE	TRANS	TRIM	DESCRIPTION
------	-------------	-----	------	--------	------	--------	-------	------	-------------

NOTE: EN0=All 2.5L Diesel Engines

1	52019388	1				ENC			ADAPTER, Turbo
2	52002144	1							CLAMP, Exhaust
3	52018875	1				EN0			GASKET, Turbo Adapter
4	06504070	5				ENC			SCREW, M8-1.25
5	52079405	1				EN0			SHIELD, Heat
6	52101056	1				EN0			HANGER, Muffler
7	52101063	1				EN0			MUFFLER AND TAILPIPE, Exhaust
8	06031959	3				EN0			NUT, Hex Flange Lock
9	J4001933	2							SCREW, Hex Flange Head, .312-x18x.875
10	52101111	1				EN0			PIPE, Exhaust
11	06034501	3				EN0			SCREW, Hex Head Header Point, .375-16x1.375
12	06101786	2				EN0			SCREW, Self Tapping, M6x1x15
13	06100574	1				EN0			BOLT AND CONED WASHER, Hex Head, M8x20x17
14	52017607	2				EN0			INSULATOR, Exhaust
	E0036369								Mopar V-Line Alternative Part
15	52018818AC	1				EN0			FLANGE, Exhaust Pipe

CHEROKEE (XJ)

SERIES	LINE	BODY	ENGINE	TRANSMISSION
L = LOWLINE	B = JEEP - 2WD (RHD) U = JEEP - 4WD (RHD) T = LHD - (2WD) J = JEEP - - LHD (4WD)	72 = 2DR (101.4 WB) 74 = 4 DR (101.4 WB)	ENC = 2.5L 4 Cyl Turbo Diesel Engine EPE = Engine - 2.5L Power Tech I-4 Cyl. ERH = 4.0L Power Tech I-6 Engine ENO = Engines - ALL 4/5 CYL Turbo Diesel ERO = Engines - All 4.0L 6 Cyl Gas EPO = ENGINES - ALL 2.5L 4 CYL GAS	DCB = Transmission - 4-Speed Manual,T3340 DDQ = 5-Speed Manual Transmission DDX = 5-Speed HD Manual Transmission DGD = 3-Spd. Automatic 30RH Transmission DGK = 4-Spd. Automatic 42RE Transmission DGS = 4-Speed Automatic AW4 Transmission DGT = 4-Spd. Automatic 46RE Transmission DGW = TRANSMISSION - 4-SPD. AUTOMATIC,44RE DGX = 4-Speed Automatic Transmission DGY = No Description Available DGZ = Transmission- 4-Spd. Automatic,MT643 DBB = ALL MANUAL TRANSMISSIONS DGO = TRANSMISSIONS - ALL AUTOMATIC

BODY
72 = 2DR (101.4 WB)
74 = 4 DR (101.4 WB)

ENGINE
ENC = 2.5L 4 Cyl Turbo Diesel Engine
EPE = Engine - 2.5L Power Tech I-4 Cyl.
ERH = 4.0L Power Tech I-6 Engine
ENO = Engines - ALL 4/5 CYL Turbo Diesel
ERO = Engines - All 4.0L 6 Cyl Gas
EPO = ENGINES - ALL 2.5L 4 CYL GAS

TRANSMISSION
DCB = Transmission - 4-Speed Manual,T3340
DDQ = 5-Speed Manual Transmission
DDX = 5-Speed HD Manual Transmission
DGD = 3-Spd. Automatic 30RH Transmission
DGK = 4-Spd. Automatic 42RE Transmission
DGS = 4-Speed Automatic AW4 Transmission
DGT = 4-Spd. Automatic 46RE Transmission
DGW = TRANSMISSION - 4-SPD. AUTOMATIC,44RE
DGX = 4-Speed Automatic Transmission
DGY = No Description Available
DGZ = Transmission- 4-Spd. Automatic,MT643
DBB = ALL MANUAL TRANSMISSIONS
DGO = TRANSMISSIONS - ALL AUTOMATIC

AR = use ase required - = Non illustrated part

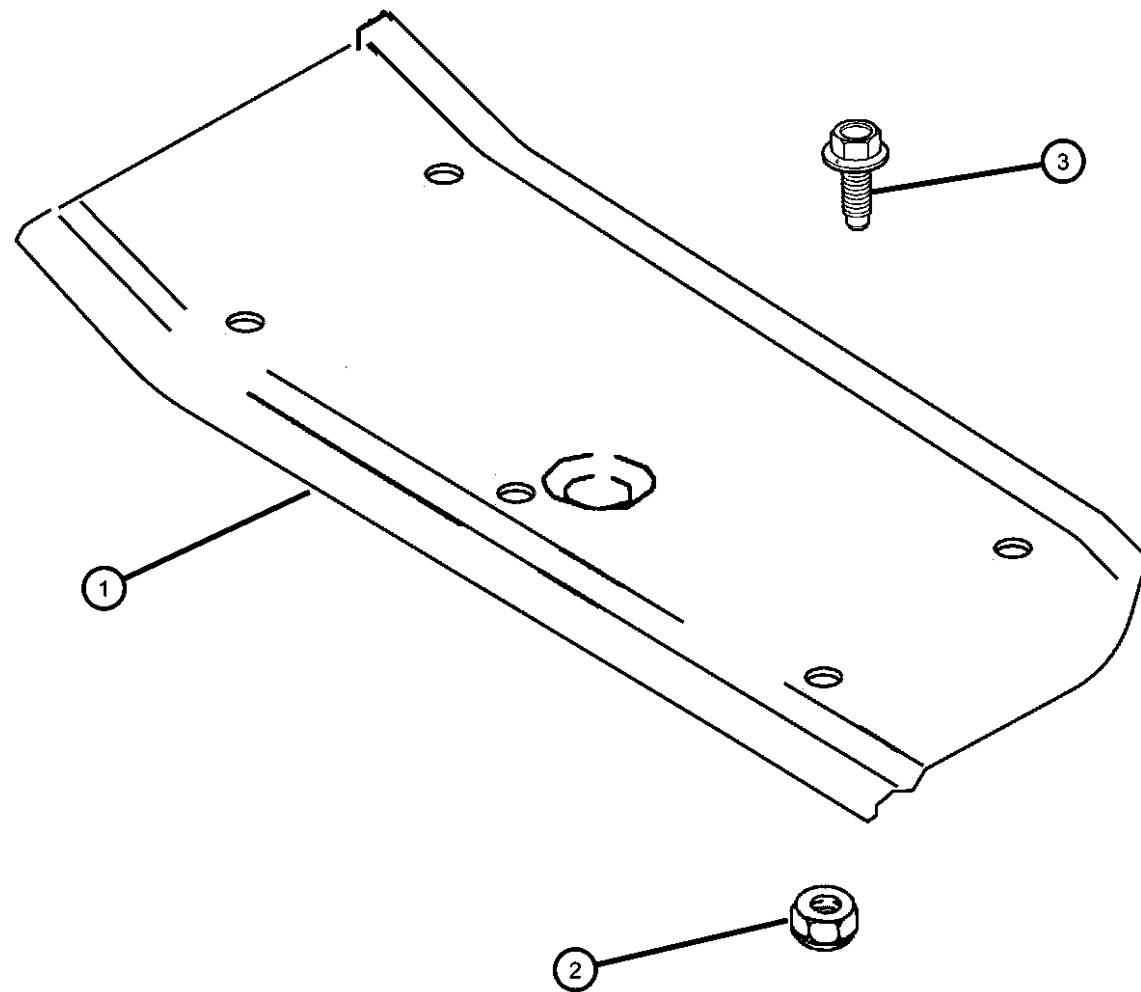
1998 XJ

**Heat Shields
Figure 11-210**

ITEM	PART NUMBER	QTY	LINE	SERIES	BODY	ENGINE	TRANS	TRIM	DESCRIPTION
------	-------------	-----	------	--------	------	--------	-------	------	-------------

NOTE: EP0=All 2.5L Engines ER0=All 4.0L Engines

1	55235811	1				EP0, ER0			SHIELD, Muffler
2	J0120375	5				EP0, ER0			NUT, Hex, .250-20
3	J0120375	5							SCREW, (NOT SERVICED)



CHEROKEE (XJ)

SERIES

L = LOWLINE

LINE

B = JEEP - 2WD (RHD)
U = JEEP - 4WD (RHD)
T = LHD - (2WD)
J = JEEP - - LHD (4WD)

BODY

72 = 2DR (101.4 WB)
74 = 4 DR (101.4 WB)

ENGINE

ENC = 2.5L 4 Cyl Turbo Diesel Engine
EPE = Engine - 2.5L Power Tech I-4 Cyl.
ERH = 4.0L Power Tech I-6 Engine
ENO = Engines - ALL 4/5 CYL Turbo Diesel
ERO = Engines - All 4.0L 6 Cyl Gas
EP0 = ENGINES - ALL 2.5L 4 CYL GAS

TRANSMISSION

DCB = Transmission - 4-Speed Manual,T3340
DDQ = 5-Speed Manual Transmission
DDX = 5-Speed HD Manual Transmission
DGD = 3-Spd. Automatic 30RH Transmission
DGK = 4-Spd. Automatic 42RE Transmission
DGS = 4-Speed Automatic AW4 Transmission
DGT = 4-Spd. Automatic 46RE Transmission
DGW = TRANSMISSION - 4-SPD. AUTOMATIC,44RE
DGX = 4-Speed Automatic Transmission
DGY = No Description Available
DGZ = Transmission- 4-Spd. Automatic,MT643
DBB = ALL MANUAL TRANSMISSIONS
DGO = TRANSMISSIONS - ALL AUTOMATIC

AR = use ase required - = Non illustrated part

1998 XJ

Group - 13

Frames and Bumpers

Group - 13 Frames and Bumpers

Group-Fig. No.

Illustration Title

Front Bumper and Fascia

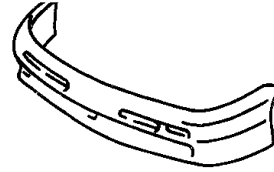
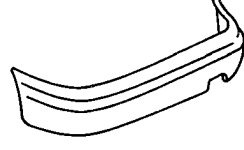
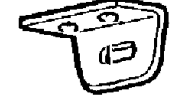
Bumper, FrontFig. 13 - 210

Rear Bumper and Fascia

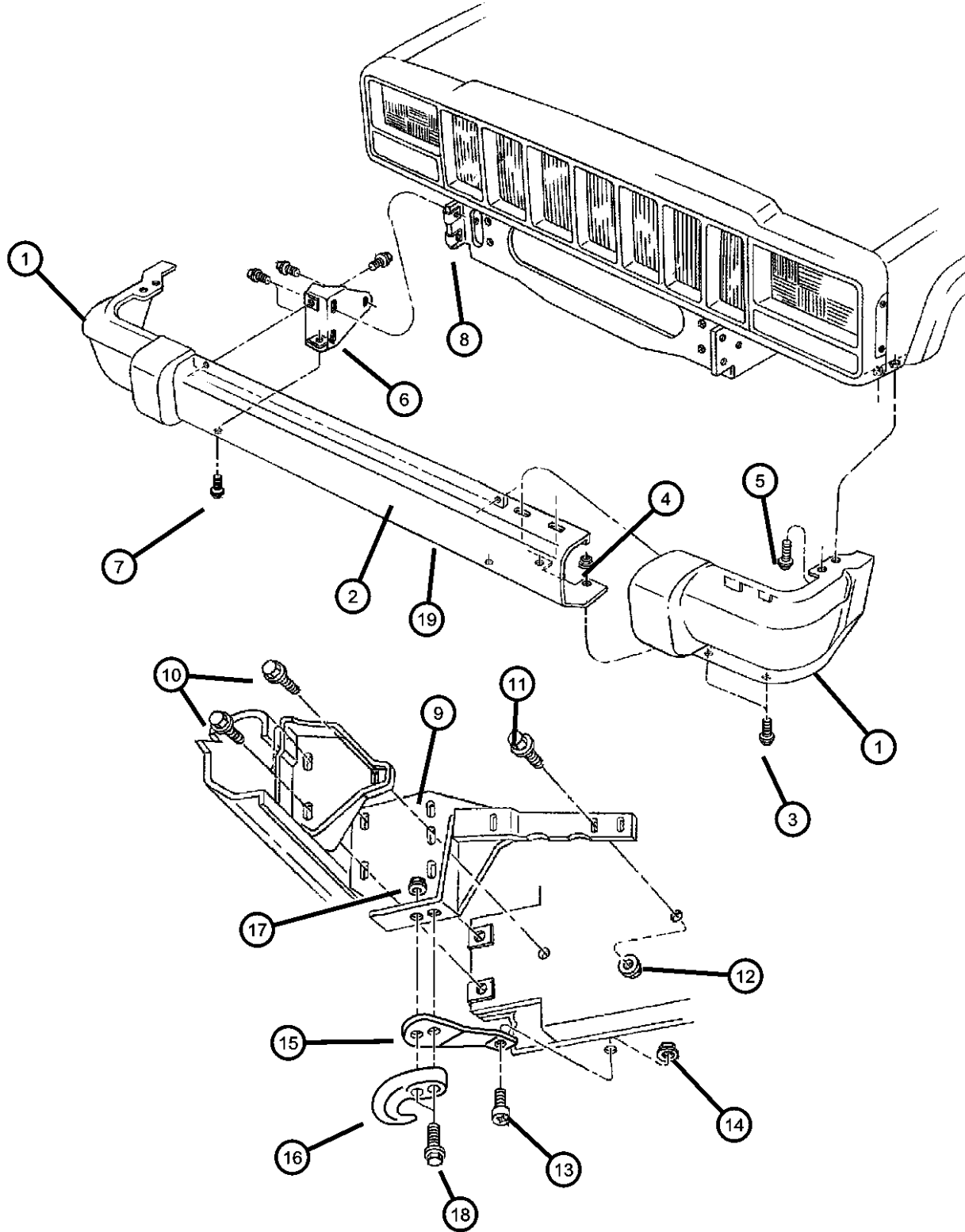
Bumper, Rear.....Fig. 13 - 310

Trailer Tow

Hitch, Trailer Tow.....Fig. 13 - 610

<p>013-200 Front Bumper and Fascia</p> 	<p>013-300 Rear Bumper and Fascia</p> 	<p>013-600 Trailer Tow</p> 	
--	--	--	--

Bumper, Front
Figure 13-210



ITEM	PART NUMBER	QTY	LINE	SERIES	BODY	ENGINE	TRANS	TRIM	DESCRIPTION
------	-------------	-----	------	--------	------	--------	-------	------	-------------

Note: Sales Code MPB = Bumper, Front Body Color

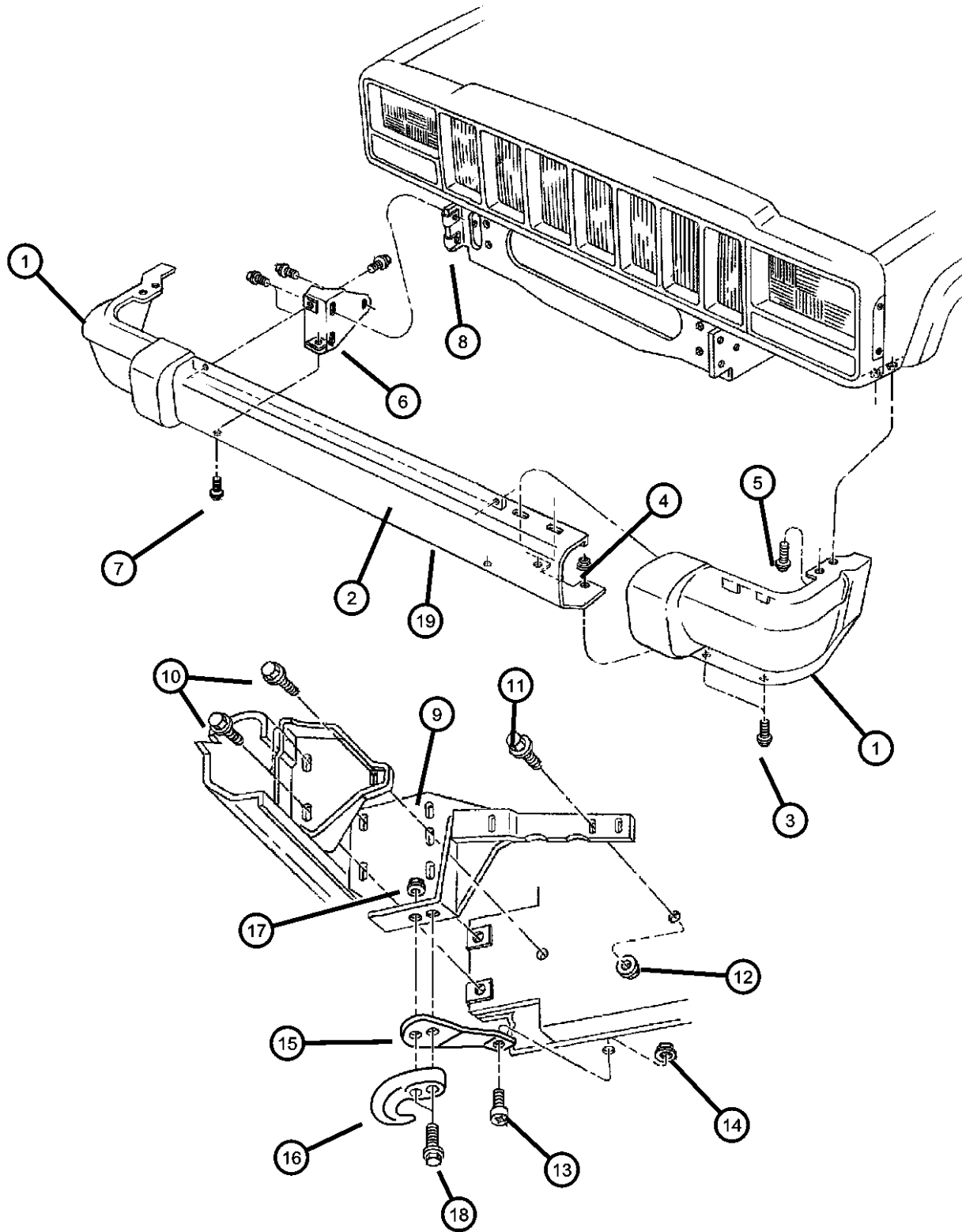
1									END CAP, Bumper
	5DY00DX8AB	1							Black (Sales Code MBP), Right
	5DY00PR4AB	1							Red, Right
	5DY00RJNAB	1							Green, Right
	5DY00SW1AB	1							White, Right
	5DY00TCNAB	1							Amethyst, Right
	5DY00TQ7AB	1							Gunmetal, Right
	5DY00VEAAB	1							Chillipepper Red, Right
	5DY01DX8AB	1							Black (Sales Code MBP), Left
	5DY01PR4AB	1							Red, Left
	5DY01RJNAB	1							Green, Left
	5DY01SW1AB	1							White, Left
	5DY01TCNAB	1							Amethyst, Left
	5DY01TQ7AB	1							Gunmetal, Left
	5DY01VEAAB	1							Chillipepper Red, Left
	5DY40DX9AB	1							Bumper Guard (Sales Code MB1), Right
	5DY41DX9AB	1							Bumper Guard (Sales Code MB1), Left
2									BAR, Bumper Front - Painted
	5EE85DX8AB	1							Black, w/Matching Black Body Color
	5EE85RJNAB	1							Green

CHEROKEE (XJ)

SERIES	LINE	BODY	ENGINE	TRANSMISSION
L = LOWLINE	B = JEEP - 2WD (RHD) U = JEEP - 4WD (RHD) T = LHD - (2WD) J = JEEP - - LHD (4WD)	72 = 2DR (101.4 WB) 74 = 4 DR (101.4 WB)	ENC = 2.5L 4 Cyl Turbo Diesel Engine EPE = Engine - 2.5L Power Tech I-4 Cyl. ERH = 4.0L Power Tech I-6 Engine ENO = Engines - ALL 4/5 CYL Turbo Diesel ERO = Engines - All 4.0L 6 Cyl Gas EPO = ENGINES - ALL 2.5L 4 CYL GAS	DCB = Transmission - 4-Speed Manual,T3340 DDQ = 5-Speed Manual Transmission DDX = 5-Speed HD Manual Transmission DGD = 3-Spd. Automatic 30RH Transmission DGK = 4-Spd. Automatic 42RE Transmission DGS = 4-Speed Automatic AW4 Transmission DGT = 4-Spd. Automatic 46RE Transmission DGW = TRANSMISSION - 4-SPD. AUTOMATIC,44RE DGX = 4-Speed Automatic Transmission DGY = No Description Available DGZ = Transmission- 4-Spd. Automatic,MT643 DBB = ALL MANUAL TRANSMISSIONS DGO = TRANSMISSIONS - ALL AUTOMATIC

AR = use ase required - = Non illustrated part

Bumper, Front
Figure 13-210



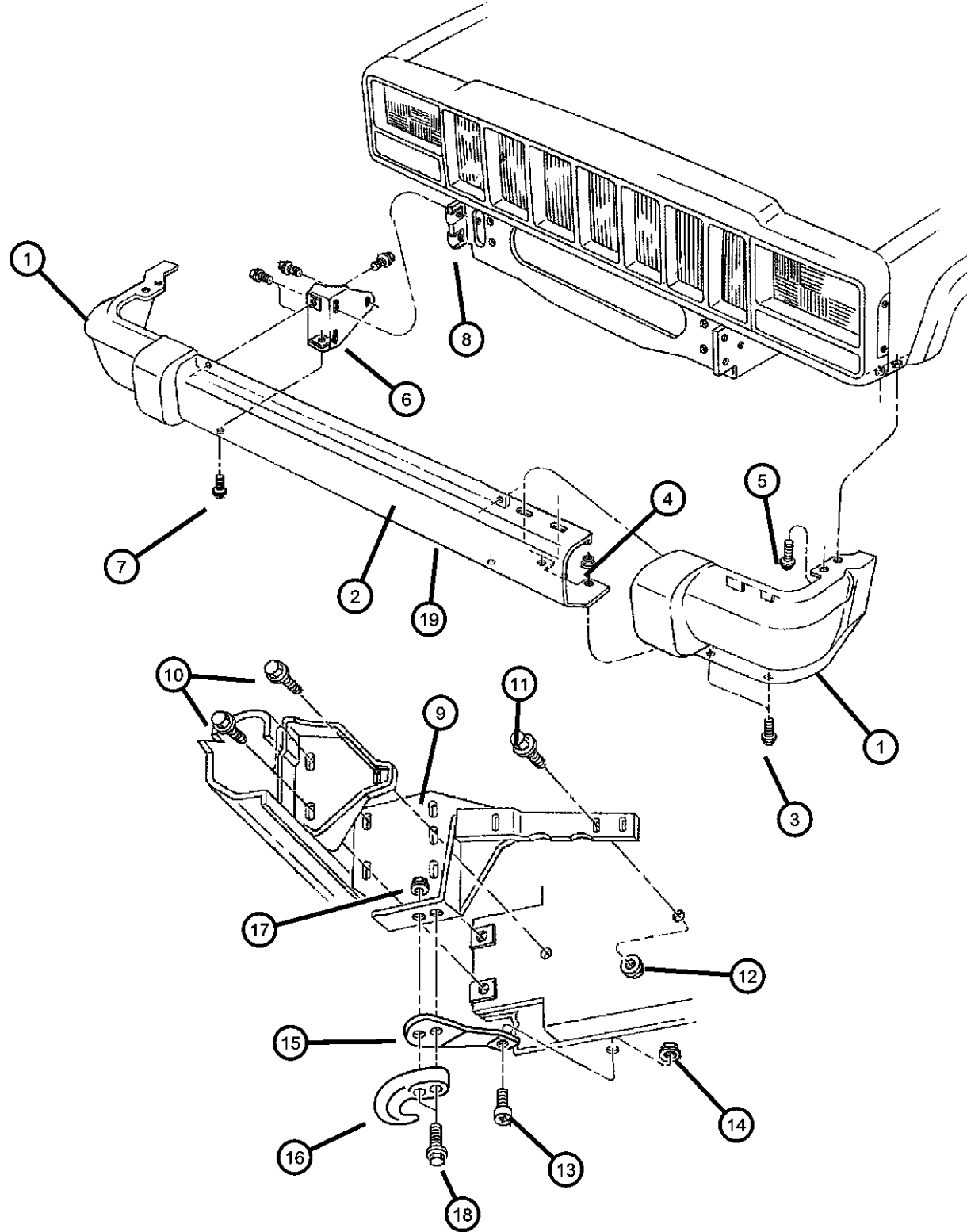
ITEM	PART NUMBER	QTY	LINE	SERIES	BODY	ENGINE	TRANS	TRIM	DESCRIPTION
	5EE85S3XAB	1							Semi Gloss Black, w/o Matching Body Color
	5EE85SW1AB	1							White
	5EE85TCNAB	1							Amethyst
	5EE85TQ7AB	1							Gunmetal
	5EE85VEAAB	1							Chillipepper Red
3	5EE85VEAAB	1							BOLT AND CONED WASHER, Hex Head, M6x20x12.5, (NOT REQUIRED),
4	06101694	4							NUT, M6x1.00
5	06504249	4							SCREW, Hex Head, M6x1x20
6									BRACKET, Bumper
	55175268AB	1							Right
	55175269AB	1							Left
7	11500662	4							NUT, U Type, M10 x 1.50
8	34201540	8							BOLT AND WASHER, Implement Attaching
9									BRACKET, Front Bumper
	55155096AB	1							Right
	55155097AB	1							Left
10	34202219	4							BOLT AND WASHER, Hex Head
11	34202388	1							BOLT, Button Head Torx, M14 x 2.0 x 80
12	06502698	1							NUT
13	06505086AA	4							BOLT, Hex Head, M10x1.50x20

CHEROKEE (XJ)

SERIES	LINE	BODY	ENGINE	TRANSMISSION
L = LOWLINE	B = JEEP - 2WD (RHD) U = JEEP - 4WD (RHD) T = LHD - (2WD) J = JEEP - - LHD (4WD)	72 = 2DR (101.4 WB) 74 = 4 DR (101.4 WB)	ENC = 2.5L 4 Cyl Turbo Diesel Engine EPE = Engine - 2.5L Power Tech I-4 Cyl. ERH = 4.0L Power Tech I-6 Engine ENO = Engines - ALL 4/5 CYL Turbo Diesel ERO = Engines - All 4.0L 6 Cyl Gas EPO = ENGINES - ALL 2.5L 4 CYL GAS	DCB = Transmission - 4-Speed Manual, T3340 DDQ = 5-Speed Manual Transmission DDX = 5-Speed HD Manual Transmission DGD = 3-Spd. Automatic 30RH Transmission DGM = 4-Speed Automatic 42RE Transmission DGS = 4-Speed Automatic AW4 Transmission DGT = 4-Spd. Automatic 46RE Transmission DGW = TRANSMISSION - 4-SPD. AUTOMATIC, 44RE DGX = 4-Speed Automatic Transmission DGY = No Description Available DGZ = Transmission- 4-Spd. Automatic, MT643 DBB = ALL MANUAL TRANSMISSIONS DGO = TRANSMISSIONS - ALL AUTOMATIC

AR = use ase required - = Non illustrated part

Bumper, Front
Figure 13-210



ITEM	PART NUMBER	QTY	LINE	SERIES	BODY	ENGINE	TRANS	TRIM	DESCRIPTION
14	06502135	4							NUT, Hex Flange, M10x1.5
15									BRACE, Tow Hook
	52001972	1							Right
	52001973	1							Left
16	52057999AB	2							HOOK, Tow
17	06502697	4							NUT, Hex Flange Lock, M12x1.75
18	11505098	2							BOLT, Hex Flange Head, M12x1.75x87.50
19									DEFLECTOR, Air
	5EF08DX9	1							
	5EP04SW1	1							Paint as Req.
-20	06035944AA	3							RIVET
-21	52003479	1							BRACKET, License Plate

CHEROKEE (XJ)

SERIES

L = LOWLINE

LINE

B = JEEP - 2WD (RHD)
U = JEEP - 4WD (RHD)
T = LHD - (2WD)
J = JEEP - - LHD (4WD)

BODY

72 = 2DR (101.4 WB)
74 = 4 DR (101.4 WB)

ENGINE

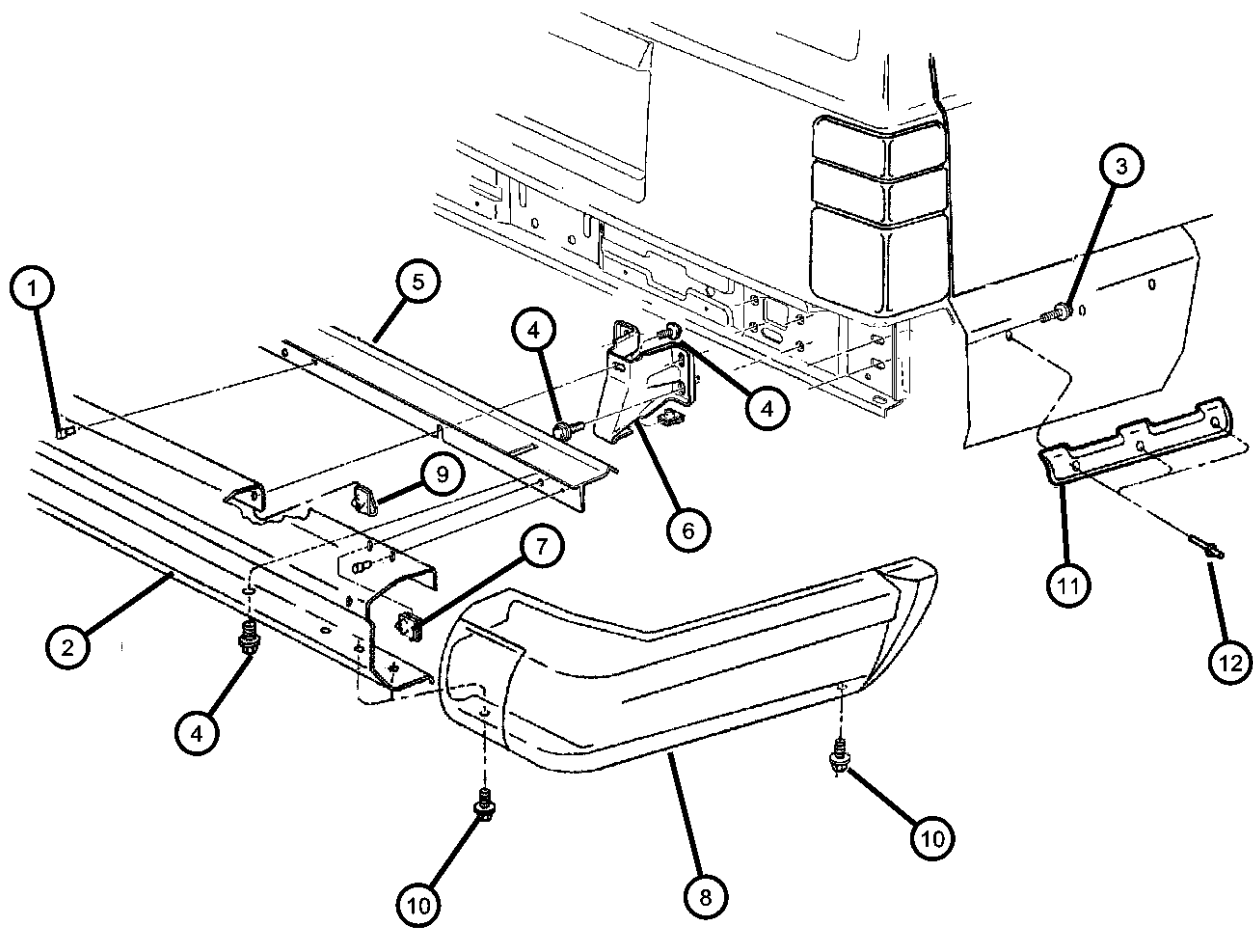
ENC = 2.5L 4 Cyl Turbo Diesel Engine
EPE = Engine - 2.5L Power Tech I-4 Cyl.
ERH = 4.0L Power Tech I-6 Engine
ENO = Engines - ALL 4/5 CYL Turbo Diesel
ERO = Engines - All 4.0L 6 Cyl Gas
EPO = ENGINES - ALL 2.5L 4 CYL GAS

TRANSMISSION

DCB = Transmission - 4-Speed Manual,T3340
DDQ = 5-Speed Manual Transmission
DDX = 5-Speed HD Manual Transmission
DGD = 3-Spd. Automatic 30RH Transmission
DGK = 4-Spd. Automatic 42RE Transmission
DGS = 4-Speed Automatic AW4 Transmission
DGT = 4-Spd. Automatic 46RE Transmission
DGW = TRANSMISSION - 4-SPD. AUTOMATIC,44RE
DGX = 4-Speed Automatic Transmission
DGY = No Description Available
DGZ = Transmission- 4-Spd. Automatic,MT643
DBB = ALL MANUAL TRANSMISSIONS
DGO = TRANSMISSIONS - ALL AUTOMATIC

AR = use ase required - = Non illustrated part

Bumper, Rear
Figure 13-310



ITEM	PART NUMBER	QTY	LINE	SERIES	BODY	ENGINE	TRANS	TRIM	DESCRIPTION
1	34202855	4							RIVET, M5x20.00 Plastic
2	5EE84SX3AC	1							BUMPER, Rear
3	34202467	4							SCREW, Hex Head, M8x1.25x30
4	34201540	8							BOLT AND WASHER, Implement Attaching
5	55026542	1							SHIELD, Bumper
6	55175261AD	2							BRACKET, Bumper
7	06101283	2							U-NUT, M8x1.25
8									END CAP, Bumper
	5DY08DX8	1							[X8], Right
	5DY08PR4	1							[R4], Right
	5DY08RJN	1							[JN], Right
	5DY08SW1	1							[W1], Right
	5DY08TCN	1							[CN], Right
	5DY08TQ7	1							[Q7], Right
	5DY08VEA	1							[EA], Right
	5DY09DX8	1							[X8], Left
	5DY09PR4	1							[R4], Left
	5DY09RJN	1							[JN], Left
	5DY09SW1	1							[W1], Left
	5DY09TCN	1							[CN], Left
	5DY09TQ7	1							[Q7], Left
	5DY09VEA	1							[EA], Left

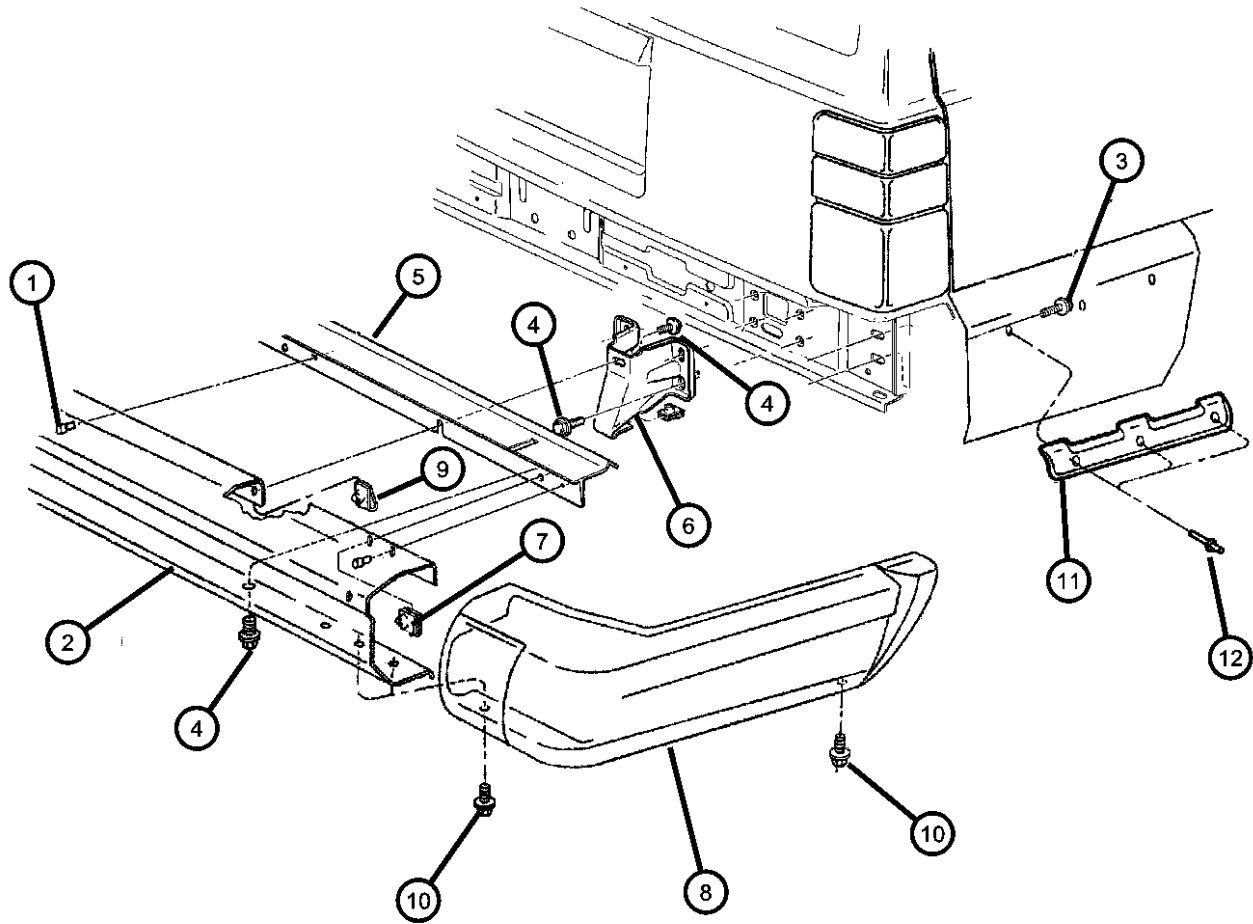
CHEROKEE (XJ)

SERIES	LINE	BODY	ENGINE	TRANSMISSION
L = LOWLINE	B = JEEP - 2WD (RHD) U = JEEP - 4WD (RHD) T = LHD - (2WD) J = JEEP - - LHD (4WD)	72 = 2DR (101.4 WB) 74 = 4 DR (101.4 WB)	ENC = 2.5L 4 Cyl Turbo Diesel Engine EPE = Engine - 2.5L Power Tech I-4 Cyl. ERH = 4.0L Power Tech I-6 Engine ENO = Engines - ALL 4/5 CYL Turbo Diesel ERO = Engines - All 4.0L 6 Cyl Gas EPO = ENGINES - ALL 2.5L 4 CYL GAS	DCB = Transmission - 4-Speed Manual,T3340 DDQ = 5-Speed Manual Transmission DDX = 5-Speed HD Manual Transmission DGD = 3-Spd. Automatic 30RH Transmission DGK = 4-Spd. Automatic 42RE Transmission DGS = 4-Speed Automatic AW4 Transmission DGT = 4-Spd. Automatic 46RE Transmission DGW = TRANSMISSION - 4-SPD. AUTOMATIC,44RE DGX = 4-Speed Automatic Transmission DGY = No Description Available DGZ = Transmission- 4-Spd. Automatic,MT643 DBB = ALL MANUAL TRANSMISSIONS DGO = TRANSMISSIONS - ALL AUTOMATIC

AR = use ase required - = Non illustrated part

Bumper, Rear
Figure 13-310

ITEM	PART NUMBER	QTY	LINE	SERIES	BODY	ENGINE	TRANS	TRIM	DESCRIPTION
	5DY10DX9	1							Flat Black, Right
	5DY11DX9	1							Flat Black, Left
9	11500662	4							NUT, U Type, M10 x 1.50
10	06101455	2							SCREW AND WASHER, Hex Head, M6x1x20
11									BRACKET
	55175692	1							Right
	55175693	1							Left
12	06035122	4							RIVET, .187x.70 Black



CHEROKEE (XJ)

SERIES LINE
L = LOWLINE B = JEEP - 2WD (RHD)
U = JEEP - 4WD (RHD)
T = LHD - (2WD)
J = JEEP - - LHD (4WD)

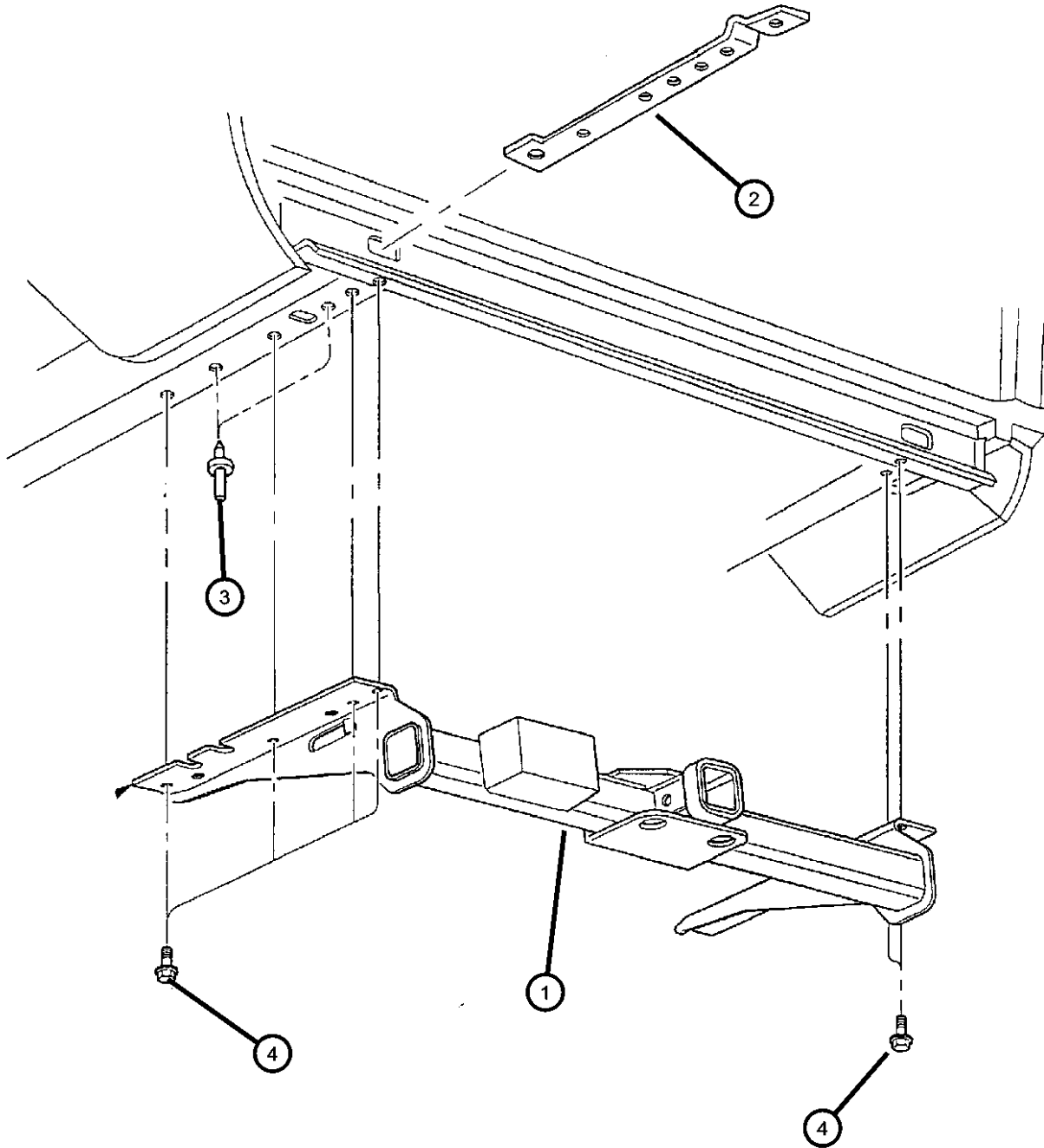
BODY
72 = 2DR (101.4 WB)
74 = 4 DR (101.4 WB)

ENGINE TRANSMISSION
ENC = 2.5L 4 Cyl Turbo Diesel Engine DCB = Transmission - 4-Speed Manual,T3340
EPE = Engine - 2.5L Power Tech I-4 Cyl. DDQ = 5-Speed Manual Transmission
ERH = 4.0L Power Tech I-6 Engine DDX = 5-Speed HD Manual Transmission
DGD = 3-Spd. Automatic 30RH Transmission
ENO = Engines - ALL 4/5 CYL Turbo Diesel DGK = 4-Spd. Automatic 42RE Transmission
ERO = Engines - All 4.0L 6 Cyl Gas DGS = 4-Speed Automatic AW4 Transmission
EPO = ENGINES - ALL 2.5L 4 CYL GAS DGT = 4-Spd. Automatic 46RE Transmission
DGW = TRANSMISSION - 4-SPD. AUTOMATIC,44RE
DGX = 4-Speed Automatic Transmission
DGY = No Description Available
DGZ = Transmission- 4-Spd. Automatic,MT643
DBB = ALL MANUAL TRANSMISSIONS
DGO = TRANSMISSIONS - ALL AUTOMATIC

AR = use ase required - = Non illustrated part

Hitch, Trailer Tow
Figure 13-610

ITEM	PART NUMBER	QTY	LINE	SERIES	BODY	ENGINE	TRANS	TRIM	DESCRIPTION
1	52058266	1							HITCH, Trailer
2	52001174	1							REINFORCEMENT, Sill Right
	52001175	1							Left
3	34201353	4							RIVET, M6.3x14.02
4	34201964	6							BOLT, Hex Flange Head, M12x1.75x40



CHEROKEE (XJ)

SERIES

L = LOWLINE

LINE

B = JEEP - 2WD (RHD)
U = JEEP - 4WD (RHD)
T = LHD - (2WD)
J = JEEP - - LHD (4WD)

BODY

72 = 2DR (101.4 WB)
74 = 4 DR (101.4 WB)

ENGINE

ENC = 2.5L 4 Cyl Turbo Diesel Engine
EPE = Engine - 2.5L Power Tech I-4 Cyl.
ERH = 4.0L Power Tech I-6 Engine
ENO = Engines - ALL 4/5 CYL Turbo Diesel
ERO = Engines - All 4.0L 6 Cyl Gas
EPO = ENGINES - ALL 2.5L 4 CYL GAS

TRANSMISSION

DCB = Transmission - 4-Speed Manual,T3340
DDQ = 5-Speed Manual Transmission
DDX = 5-Speed HD Manual Transmission
DGD = 3-Spd. Automatic 30RH Transmission
DGK = 4-Spd. Automatic 42RE Transmission
DGS = 4-Speed Automatic AW4 Transmission
DGT = 4-Spd. Automatic 46RE Transmission
DGW = TRANSMISSION - 4-SPD. AUTOMATIC,44RE
DGX = 4-Speed Automatic Transmission
DGY = No Description Available
DGZ = Transmission- 4-Spd. Automatic,MT643
DBB = ALL MANUAL TRANSMISSIONS
DGO = TRANSMISSIONS - ALL AUTOMATIC

AR = use ase required - = Non illustrated part

1998 XJ

Group - 14

Fuel

Group - 14 Fuel

Group-Fig. No.

Illustration Title

Tank, Fuel

Fuel TankFig. 14 - 120

Fuel Tank Filler Tube

Fuel Tank Filler Tube.....Fig. 14 - 220

Fuel Lines

Fuel Lines, FrontFig. 14 - 310

Fuel Lines, Rear.....Fig. 14 - 320

Fuel Lines, FrontFig. 14 - 325

Fuel Lines, Rear.....Fig. 14 - 335

Fuel Rail

Fuel Injection SystemFig. 14 - 410

Fuel Injection System.....Fig. 14 - 440

Fuel Injection Pump.....Fig. 14 - 460

Fuel Pump and Sending Unit

Fuel Pump and Sending Unit.....Fig. 14 - 520

Throttle Body

Throttle BodyFig. 14 - 610

TurbochargerFig. 14 - 660

Throttle Controls

Throttle Controls.....Fig. 14 - 720

Air Cleaner

Air Cleaner.....Fig. 14 - 820

Air Cleaner.....Fig. 14 - 835

Air Intake System

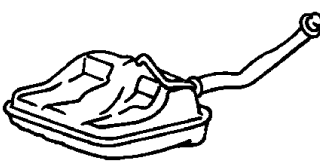
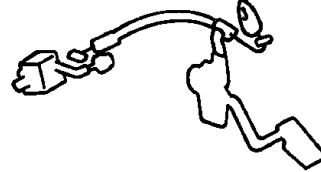

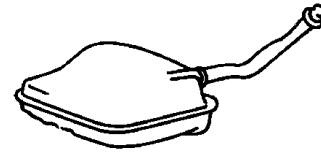
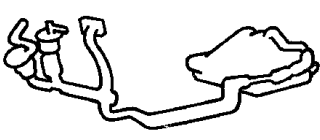
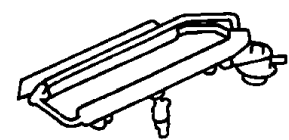
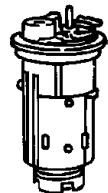

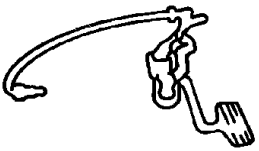
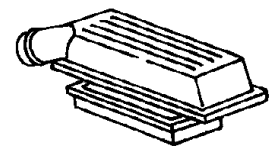

Air Intake SystemFig. 14 - 910

Speed Control

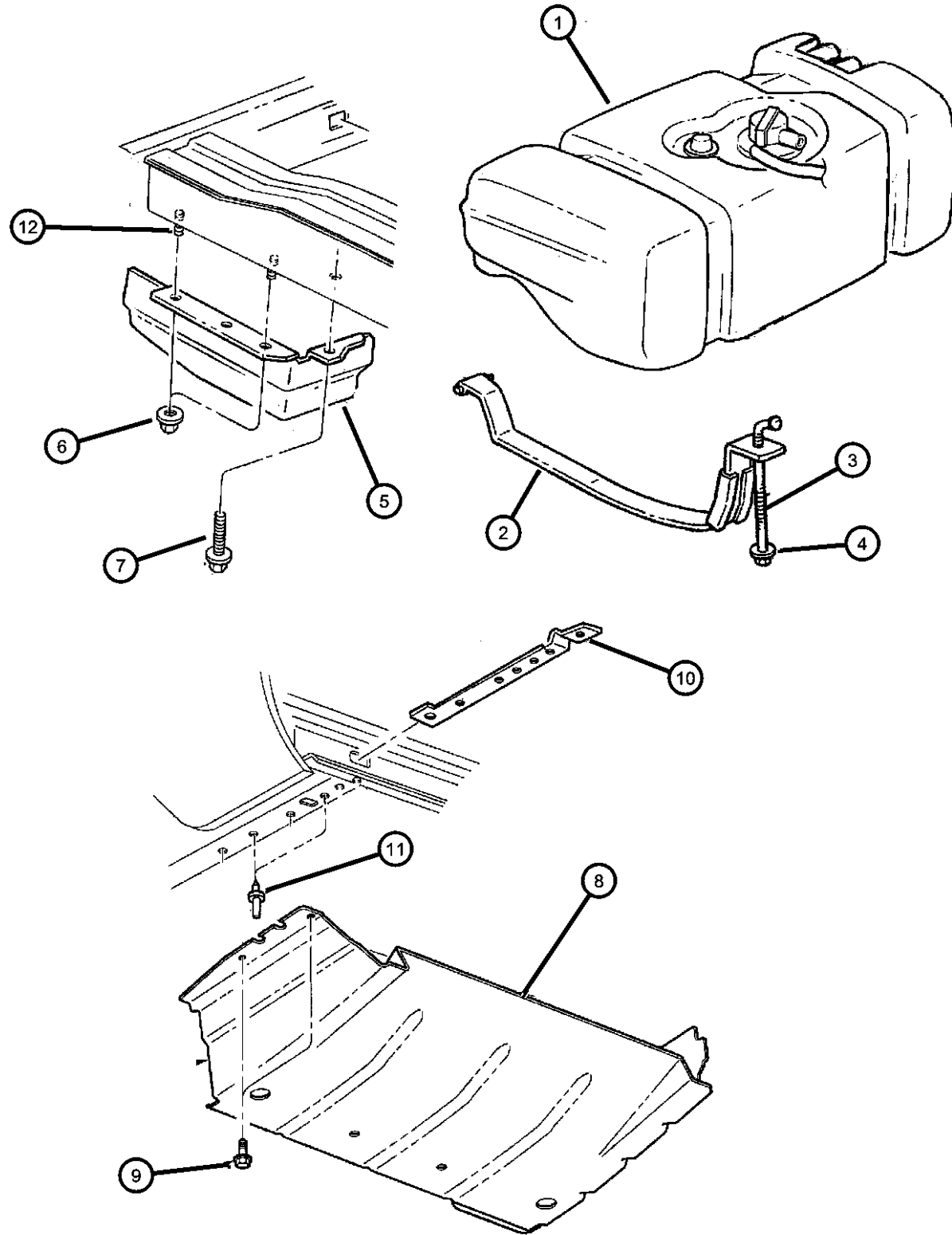
Speed ControlFig. 14 - 1010

Accelerator Pedal

Accelerator PedalFig. 14 - 1110

<p>014-100 Tank, Fuel</p> 	<p>014-1000 Speed Control</p> 	<p>014-1100 Accelerator Pedal</p> 	<p>014-200 Fuel Tank Filler Tube</p> 
<p>014-300 Fuel Lines</p> 	<p>014-400 Fuel Rail</p> 	<p>014-500 Fuel Pump and Sending Unit</p> 	<p>014-600 Throttle Body</p> 
<p>014-700 Throttle Controls</p> 	<p>014-800 Air Cleaner</p> 	<p>014-900 Air Intake System</p> 	

Fuel Tank
Figure 14-120



ITEM	PART NUMBER	QTY	LINE	SERIES	BODY	ENGINE	TRANS	TRIM	DESCRIPTION
------	-------------	-----	------	--------	------	--------	-------	------	-------------

NOTE: EP0=All 2.5L Gas Engines EN0=All 2.5L Diesel Engines ER0=All 4.0L Engines

1	52100179	1				EP0, ER0			TANK, Fuel
		1				EN0			
2	52100009	2							STRAP, Fuel Tank
3	J3240023	2							J BOLT, Fuel Tank Support
4	06034955	2							NUT, Hex Flange Lock, .375-16
5	52100014AB	1							SHIELD, Fuel Tank
6	06100055	2							NUT AND WASHER, Hex Nut-Coned Washer, M12 x 1.75
7	06101777	4							SCREW, Hex Flange Head Tapping, M6x1.00x20.00
8	52100328AA	1							PLATE, Skid
9	34201964	2							BOLT, Hex Flange Head, M12x1.75x40
10									REINFORCEMENT, Sill
	52001174	1							Right
	52001175	1							Left
11	34201353	4							RIVET, M6.3x14.02
12	06504497	2							STUD, M12x1.75x72.00

CHEROKEE (XJ)

SERIES LINE
L = LOWLINE B = JEEP - 2WD (RHD)
U = JEEP - 4WD (RHD)
T = LHD - (2WD)
J = JEEP - - LHD (4WD)

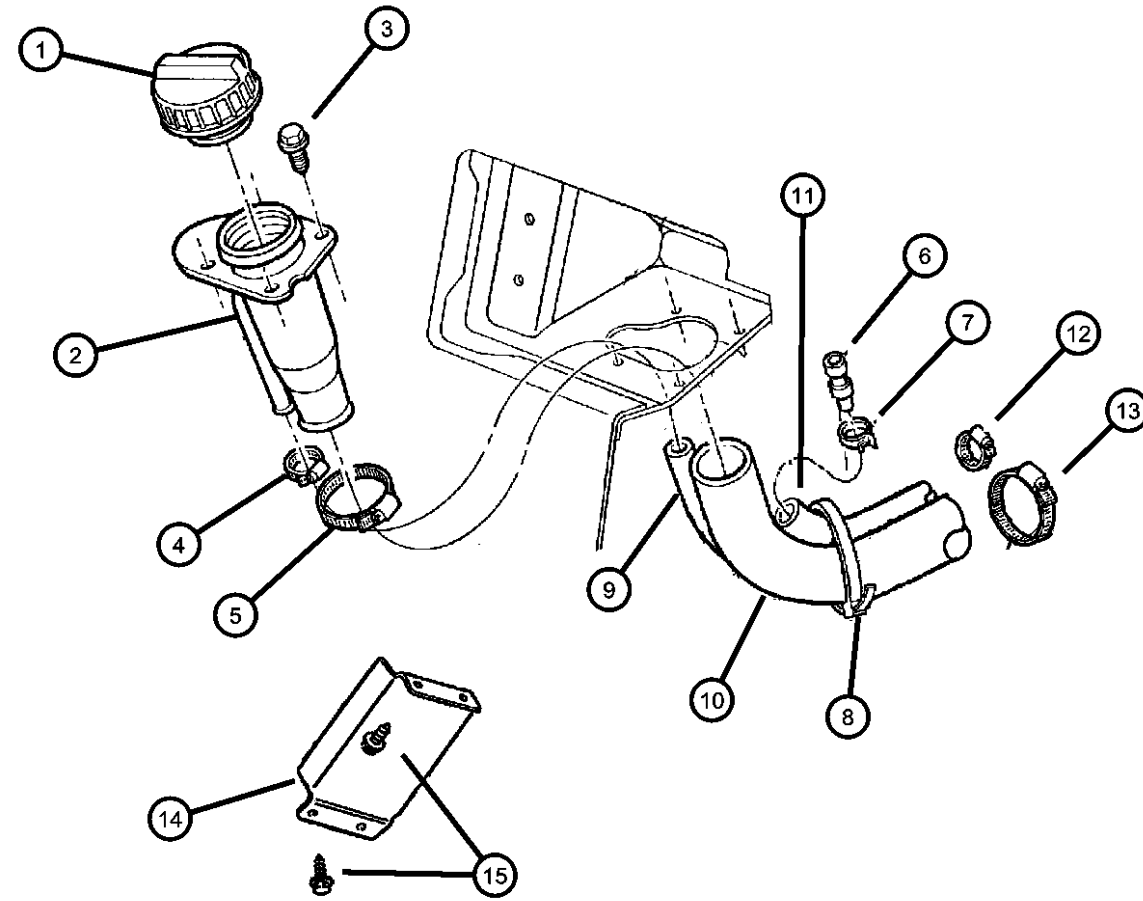
BODY
72 = 2DR (101.4 WB)
74 = 4 DR (101.4 WB)

ENGINE TRANSMISSION
ENC = 2.5L 4 Cyl Turbo Diesel Engine DCB = Transmission - 4-Speed Manual, T3340
EPE = Engine - 2.5L Power Tech I-4 Cyl. DDQ = 5-Speed Manual Transmission
ERH = 4.0L Power Tech I-6 Engine DDG = 5-Speed HD Manual Transmission
ENO = Engines - ALL 4/5 CYL Turbo Diesel DGD = 3-Spd. Automatic 30RH Transmission
ERO = Engines - All 4.0L 6 Cyl Gas DGK = 4-Spd. Automatic 42RE Transmission
EP0 = ENGINES - ALL 2.5L 4 CYL GAS DGS = 4-Speed Automatic AW4 Transmission
DGT = 4-Spd. Automatic 46RE Transmission
DGW = TRANSMISSION - 4-SPD. AUTOMATIC, 44RE
DGX = 4-Speed Automatic Transmission
DGY = No Description Available
DGZ = Transmission- 4-Spd. Automatic, MT643
DBB = ALL MANUAL TRANSMISSIONS
DGO = TRANSMISSIONS - ALL AUTOMATIC

AR = use ase required - = Non illustrated part

1998 XJ

Fuel Tank Filler Tube
Figure 14-220



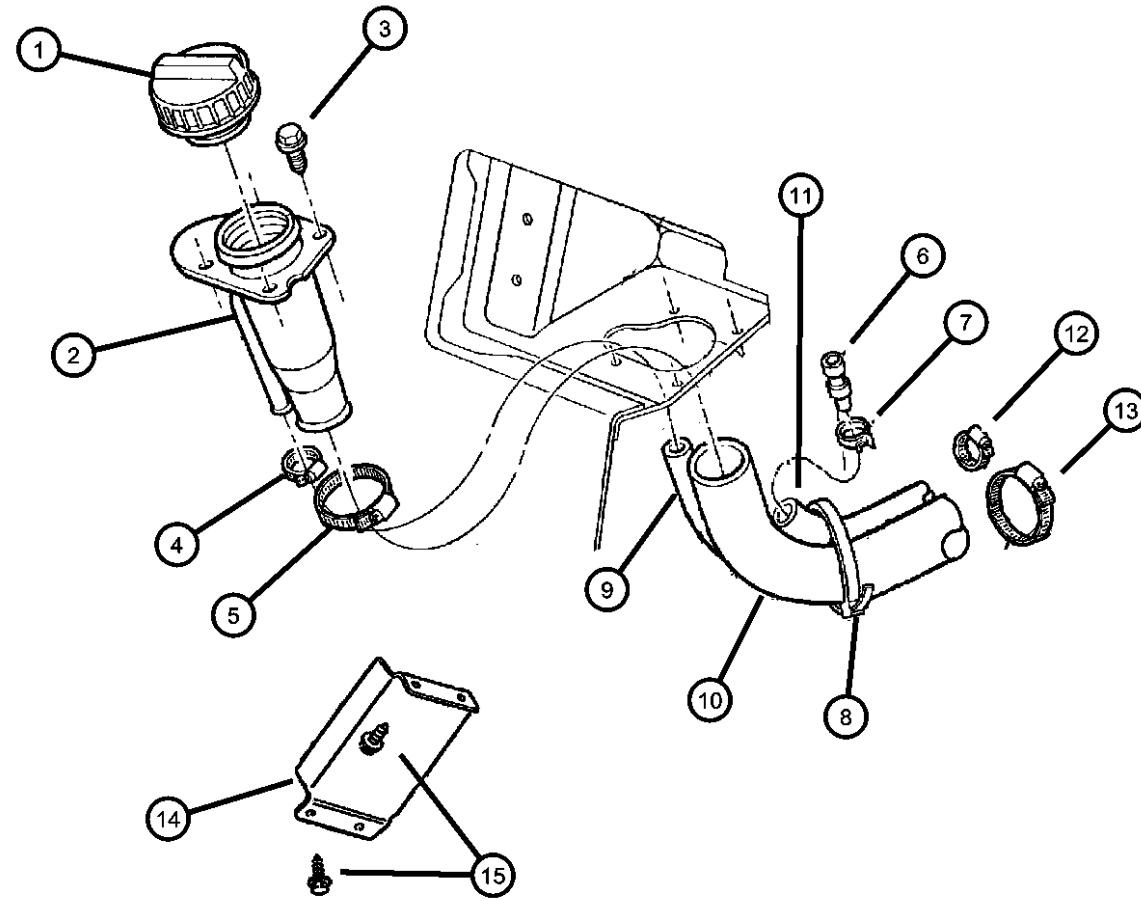
ITEM	PART NUMBER	QTY	LINE	SERIES	BODY	ENGINE	TRANS	TRIM	DESCRIPTION
NOTE: EP0=All 2.5L Gas Engines EN0=All 2.5L Diesel Engines ER0=All 4.0L Engines									
1	52100205	1							CAP, Fuel Filler Without Lock
	52100239	1							With Lock
2	52100173AB	1							TUBE, Fuel Filler Federal, Europe
	52100174AB	1							Leaded Fuel and Diesel
	52100288AA	1				EP0, ER0			
3	00154236	4							SCREW, Stake, .19-24
4	J3203077	1							CLAMP, Hose
5	J3203077	1							CLAMP, (NOT SERVICED)
6	J5352955	1	J, U						VENT, Axle, California
7	06502081	1				EN0			CLAMP, Oil Cooler Line
		1				EP0, ER0			
8	04641780	1				EP0, ER0			STRAP, Tie
9	52100132	1				EN0			HOSE, Fuel Filler Vent
		1				EP0, ER0			
10	52100131AB	1				EN0			HOSE, Fuel Filler
		1				EP0, ER0			
11	52018866	1				EN0			TUBE, Vent

CHEROKEE (XJ)

SERIES	LINE	BODY	ENGINE	TRANSMISSION
L = LOWLINE	B = JEEP - 2WD (RHD) U = JEEP - 4WD (RHD) T = LHD - (2WD) J = JEEP - - LHD (4WD)	72 = 2DR (101.4 WB) 74 = 4 DR (101.4 WB)	ENC = 2.5L 4 Cyl Turbo Diesel Engine EPE = Engine - 2.5L Power Tech I-4 Cyl. ERH = 4.0L Power Tech I-6 Engine ENO = Engines - ALL 4/5 CYL Turbo Diesel ERO = Engines - All 4.0L 6 Cyl Gas EP0 = ENGINES - ALL 2.5L 4 CYL GAS	DCB = Transmission - 4-Speed Manual,T3340 DDQ = 5-Speed Manual Transmission DDX = 5-Speed HD Manual Transmission DGD = 3-Spd. Automatic 30RH Transmission DGK = 4-Spd. Automatic 42RE Transmission DGS = 4-Speed Automatic AW4 Transmission DGT = 4-Spd. Automatic 46RE Transmission DGW = TRANSMISSION - 4-SPD. AUTOMATIC,44RE DGX = 4-Speed Automatic Transmission DGY = No Description Available DGZ = Transmission- 4-Spd. Automatic,MT643 DBB = ALL MANUAL TRANSMISSIONS DGO = TRANSMISSIONS - ALL AUTOMATIC

AR = use ase required - = Non illustrated part

Fuel Tank Filler Tube
Figure 14-220



ITEM	PART NUMBER	QTY	LINE	SERIES	BODY	ENGINE	TRANS	TRIM	DESCRIPTION
12	06502089	1				EP0, ERO			CLAMP, HOSE CLAMP
		1				ENO			
13	06502450	1				EP0, ERO			CLAMP, HOSE CLAMP
		1				ENO			
14	55003285AB	1							SHIELD, Heat
15	34201895	2							SCREW, Hex Head Tapping, M6.3x1.81x16.00

CHEROKEE (XJ)

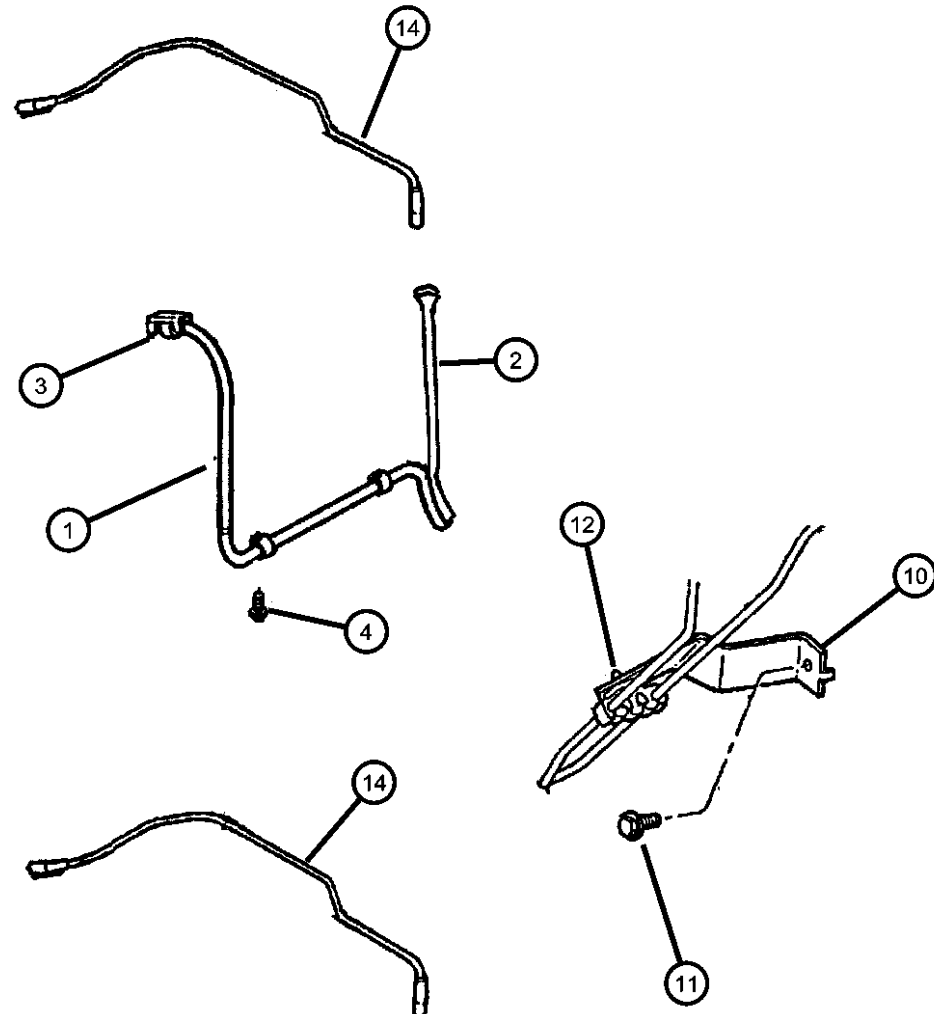
SERIES	LINE	BODY	ENGINE	TRANSMISSION
L = LOWLINE	B = JEEP - 2WD (RHD) U = JEEP - 4WD (RHD) T = LHD - (2WD) J = JEEP - - LHD (4WD)	72 = 2DR (101.4 WB) 74 = 4 DR (101.4 WB)	ENC = 2.5L 4 Cyl Turbo Diesel Engine EPE = Engine - 2.5L Power Tech I-4 Cyl. ERH = 4.0L Power Tech I-6 Engine ENO = Engines - ALL 4/5 CYL Turbo Diesel ERO = Engines - All 4.0L 6 Cyl Gas EP0 = ENGINES - ALL 2.5L 4 CYL GAS	DCB = Transmission - 4-Speed Manual,T3340 DDQ = 5-Speed Manual Transmission DDX = 5-Speed HD Manual Transmission DGD = 3-Spd. Automatic 30RH Transmission DGK = 4-Spd. Automatic 42RE Transmission DGS = 4-Speed Automatic AW4 Transmission DGT = 4-Spd. Automatic 46RE Transmission DGW = TRANSMISSION - 4-SPD. AUTOMATIC,44RE DGX = 4-Speed Automatic Transmission DGY = No Description Available DGZ = Transmission- 4-Spd. Automatic,MT643 DBB = ALL MANUAL TRANSMISSIONS DGO = TRANSMISSIONS - ALL AUTOMATIC

AR = use ase required - = Non illustrated part

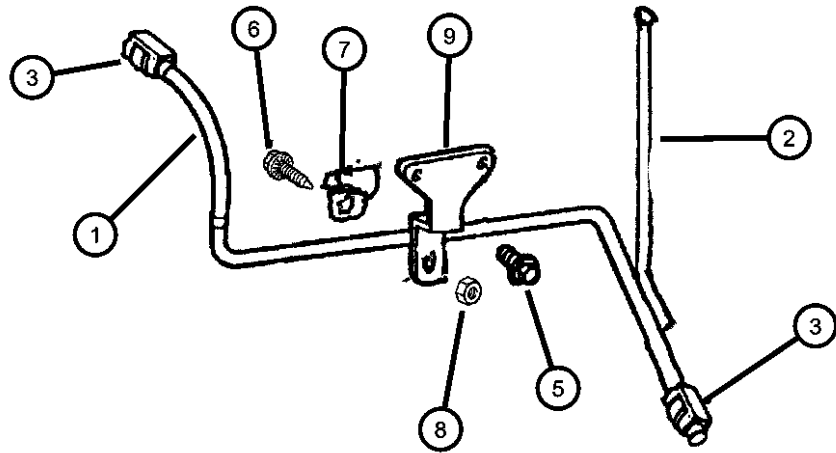
Fuel Lines, Front
Figure 14-310

ITEM	PART NUMBER	QTY	LINE	SERIES	BODY	ENGINE	TRANS	TRIM	DESCRIPTION
------	-------------	-----	------	--------	------	--------	-------	------	-------------

NOTE: EP0=All 2.5L Gas Engines ER0=All 4.0L Engines



1									BUNDLE, Fuel Line
	52100135AE	1				EP0			
	52100137AE	1				ER0			
2	52100162AE	1				EP0, ER0			TUBE, Fuel Vapor
3									CLIP, Fuel Line
	52127788	2				ER0			
		1				EP0			
4	06101786	2				EP0			SCREW, Self Tapping, M6x1x15
5	06503486	2				ER0			STUD
6	06501714	1				ER0			SCREW AND WASHER, Hex Head, M6x1x18
7									CLIP, Fuel Line
	06504589	2				EP0			
		1				ER0			
8									NUT AND WASHER, Hex Nut-Coned Washer, M6 x 1.00
	06100047	1				EP0			
		1				ER0			
9	52007273	1				ER0			CLIP, Fuel Line
10	52100314AA	1							BRACKET, Fuel Line
11	34201895	2							SCREW, Hex Head Tapping, M6.3x1.81x16.00
12	34201895	2							CLIP, Fuel Line, (NOT REQUIRED)
-13	52100286AC	7							CLIP, 5 Way



CHEROKEE (XJ)

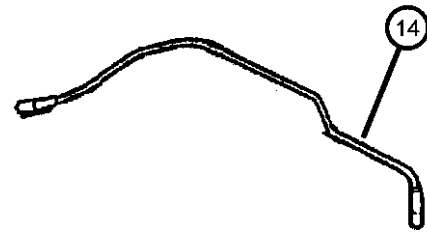
SERIES	LINE	BODY	ENGINE	TRANSMISSION
L = LOWLINE	B = JEEP - 2WD (RHD) U = JEEP - 4WD (RHD) T = LHD - (2WD) J = JEEP - - LHD (4WD)	72 = 2DR (101.4 WB) 74 = 4 DR (101.4 WB)	ENC = 2.5L 4 Cyl Turbo Diesel Engine EPE = Engine - 2.5L Power Tech I-4 Cyl. ERH = 4.0L Power Tech I-6 Engine ENO = Engines - ALL 4/5 CYL Turbo Diesel ERO = Engines - All 4.0L 6 Cyl Gas EP0 = ENGINES - ALL 2.5L 4 CYL GAS	DCB = Transmission - 4-Speed Manual, T3340 DDQ = 5-Speed Manual Transmission DDX = 5-Speed HD Manual Transmission DGD = 3-Spd. Automatic 30RH Transmission DGK = 4-Spd. Automatic 42RE Transmission DGS = 4-Speed Automatic AW4 Transmission DGT = 4-Spd. Automatic 46RE Transmission DGW = TRANSMISSION - 4-SPD. AUTOMATIC, 44RE DGX = 4-Speed Automatic Transmission DGY = No Description Available DGZ = Transmission- 4-Spd. Automatic, MT643 DBB = ALL MANUAL TRANSMISSIONS DGO = TRANSMISSIONS - ALL AUTOMATIC

AR = use ase required - = Non illustrated part

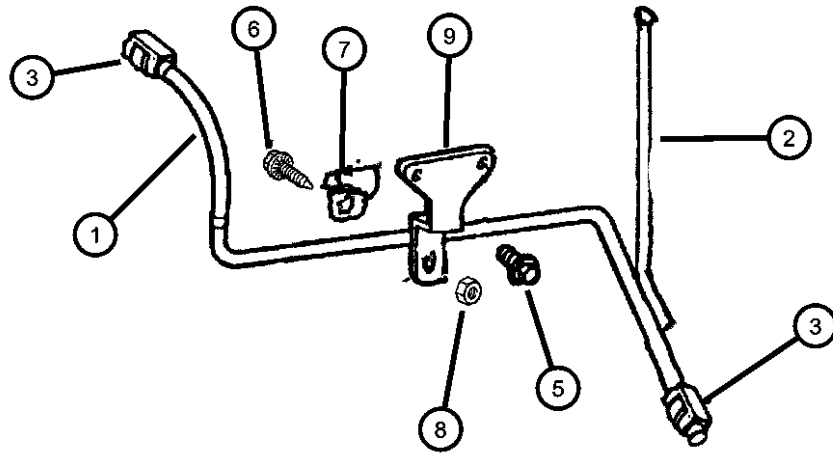
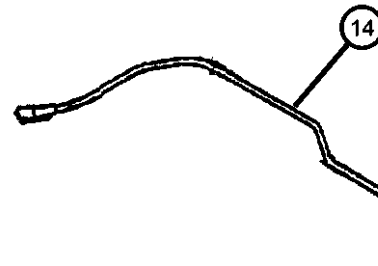
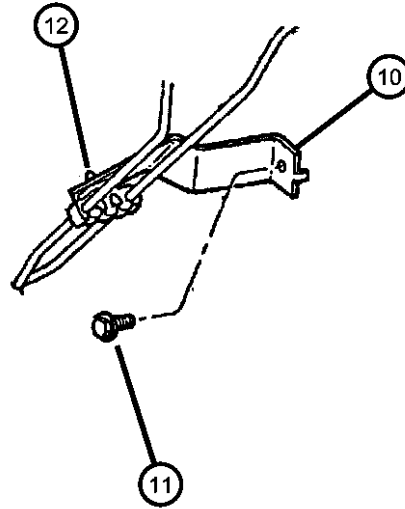
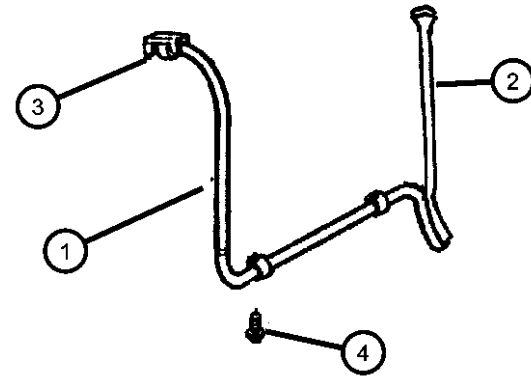
1998 XJ

Fuel Lines, Front
Figure 14-310

ITEM	PART NUMBER	QTY	LINE	SERIES	BODY	ENGINE	TRANS	TRIM	DESCRIPTION
------	-------------	-----	------	--------	------	--------	-------	------	-------------



14									TUBE, Fuel Vapor
	52100039AC	1				EP0, ERO			
	52100126AB	1	B, U			EP0, ERO			



CHEROKEE (XJ)

SERIES	LINE
L = LOWLINE	B = JEEP - 2WD (RHD) U = JEEP - 4WD (RHD) T = LHD - (2WD) J = JEEP - - LHD (4WD)

BODY
72 = 2DR (101.4 WB) 74 = 4 DR (101.4 WB)

ENGINE	TRANSMISSION
ENC = 2.5L 4 Cyl Turbo Diesel Engine	DCB = Transmission - 4-Speed Manual,T3340
EPE = Engine - 2.5L Power Tech I-4 Cyl.	DDQ = 5-Speed Manual Transmission
ERH = 4.0L Power Tech I-6 Engine	DDX = 5-Speed HD Manual Transmission
ENO = Engines - ALL 4/5 CYL Turbo Diesel	DGD = 3-Spd. Automatic 30RH Transmission
ERO = Engines - All 4.0L 6 Cyl Gas	DGK = 4-Spd. Automatic 42RE Transmission
EP0 = ENGINES - ALL 2.5L 4 CYL GAS	DGS = 4-Speed Automatic AW4 Transmission
	DGT = 4-Spd. Automatic 46RE Transmission
	DGW = TRANSMISSION - 4-SPD. AUTOMATIC,44RE
	DGX = 4-Speed Automatic Transmission
	DGY = No Description Available
	DGZ = Transmission- 4-Spd. Automatic,MT643
	DBB = ALL MANUAL TRANSMISSIONS
	DG0 = TRANSMISSIONS - ALL AUTOMATIC

AR = use ase required - = Non illustrated part

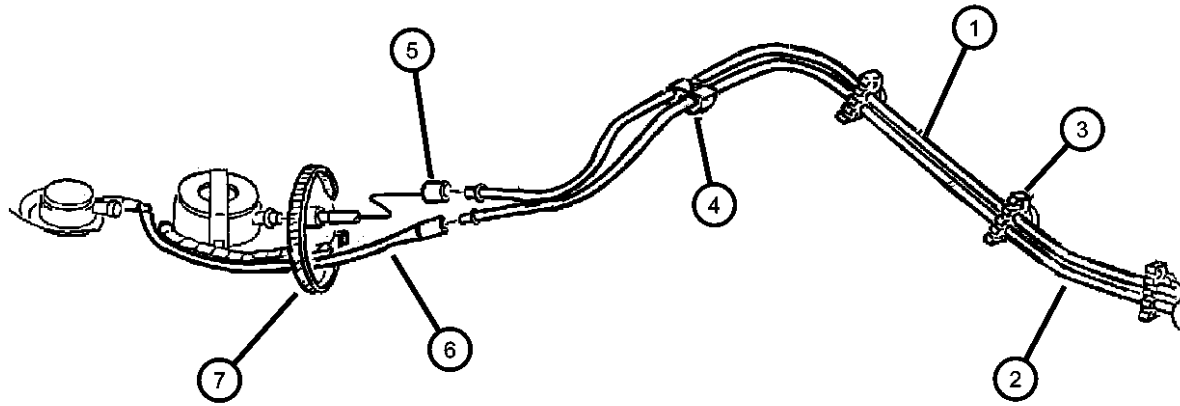
1998 XJ

Fuel Lines, Rear
Figure 14-320

ITEM	PART NUMBER	QTY	LINE	SERIES	BODY	ENGINE	TRANS	TRIM	DESCRIPTION
------	-------------	-----	------	--------	------	--------	-------	------	-------------

NOTE: EP0=All 2.5L Gas Engines ER0=All 4.0L Engines

1	52127896	1							TUBE, Fuel Supply
2	52100162AE	1				EP0, ER0			TUBE, Fuel Vapor
3	52100286AB	6							CLIP, 5 Way
4	04612871AB	1							CLIP, Fuel Bundle
5	52100037AB	1							TUBE, Fuel Supply
6	52100035AB	1							TUBE, Fuel Vapor
7	04641780	1				EP0, ER0			STRAP, Tie



CHEROKEE (XJ)

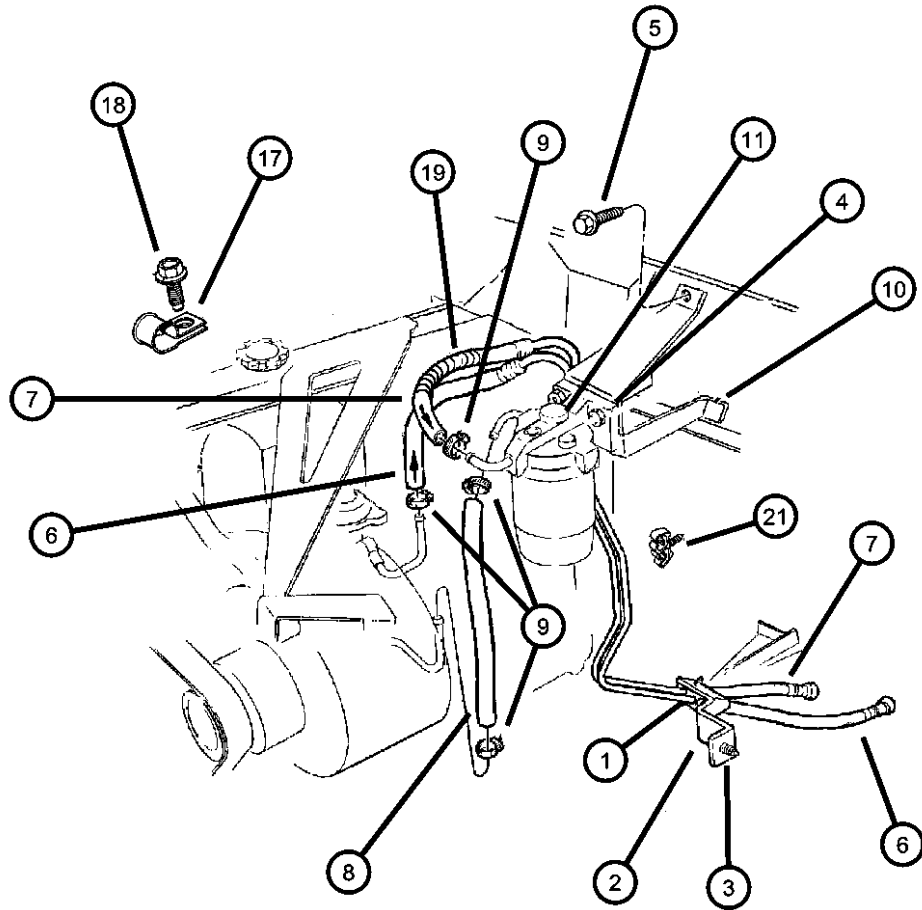
SERIES	LINE	BODY	ENGINE	TRANSMISSION
L = LOWLINE	B = JEEP - 2WD (RHD) U = JEEP - 4WD (RHD) T = LHD - (2WD) J = JEEP - - LHD (4WD)	72 = 2DR (101.4 WB) 74 = 4 DR (101.4 WB)	ENC = 2.5L 4 Cyl Turbo Diesel Engine EPE = Engine - 2.5L Power Tech I-4 Cyl. ERH = 4.0L Power Tech I-6 Engine ENO = Engines - ALL 4/5 CYL Turbo Diesel ERO = Engines - All 4.0L 6 Cyl Gas EP0 = ENGINES - ALL 2.5L 4 CYL GAS	DCB = Transmission - 4-Speed Manual,T3340 DDQ = 5-Speed Manual Transmission DDX = 5-Speed HD Manual Transmission DGD = 3-Spd. Automatic 30RH Transmission DGK = 4-Spd. Automatic 42RE Transmission DGS = 4-Speed Automatic AW4 Transmission DGT = 4-Spd. Automatic 46RE Transmission DGW = TRANSMISSION - 4-SPD. AUTOMATIC,44RE DGX = 4-Speed Automatic Transmission DGY = No Description Available DGZ = Transmission- 4-Spd. Automatic,MT643 DBB = ALL MANUAL TRANSMISSIONS DGO = TRANSMISSIONS - ALL AUTOMATIC

AR = use ase required - = Non illustrated part

1998 XJ

Fuel Lines, Front
Figure 14-325

ITEM	PART NUMBER	QTY	LINE	SERIES	BODY	ENGINE	TRANS	TRIM	DESCRIPTION
NOTE: EN0=All 2.5L Diesel Engines									
1	52100286AB	6							CLIP, 5 Way
2	52100314AA	1							BRACKET, Fuel Line
3	34201381	4							SCREW, Hex Flange Head Tapping, M6x1.00x20.00
4	06101675	2				EN0			NUT, Hex Flange Lock, M8x1.25
5	06101675	2							SCREW AND WASHER, .190-16x.500, (NOT SERVICED)
6	52100079	1				EN0			TUBE, Fuel Return
7	52100107	1				EN0			TUBE, Fuel Supply
8	04443176	1							HOSE, Fuel, .31 I.D. 50 Foot Roll
9	06504502	2	J, T			EN0			CLAMP, Oil Cooler Line
10	53030927	1	J, T			EN0			BRACKET, Fuel Filter
11	53030927	1							FILTER, Fuel, Consists of: #12,13,14,15,16, (NOT SERVICED)
-12	04723899	1				EN0			HEAD, Fuel Filter
-13	04723901	1				EN0			VALVE KIT, Fuel Filter Check
-14	04723905	1				EN0			FILTER, Fuel
-15	04723906	1				EN0			BOWL, Fuel Filter
-16	04723907	1				EN0			DRAIN, Fuel Filter Bowl
17	34202997	1				EN0			CLIP, Wrap Around Sealing
18	06101777	1				EN0			SCREW, Hex Flange Head Tapping, M6x1.00x20.00
19	04592145	1				EN0			SLEEVE, Braided



CHEROKEE (XJ)

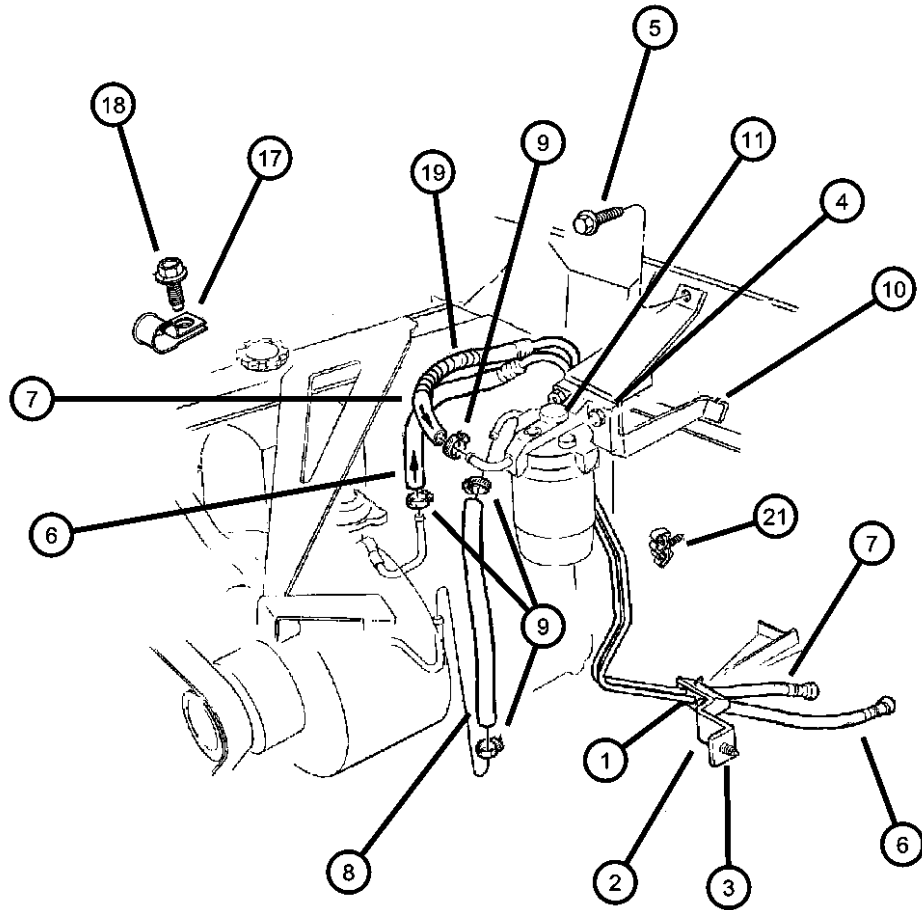
SERIES	LINE	BODY	ENGINE	TRANSMISSION
L = LOWLINE	B = JEEP - 2WD (RHD) U = JEEP - 4WD (RHD) T = LHD - (2WD) J = JEEP - - LHD (4WD)	72 = 2DR (101.4 WB) 74 = 4 DR (101.4 WB)	ENC = 2.5L 4 Cyl Turbo Diesel Engine EPE = Engine - 2.5L Power Tech I-4 Cyl. ERH = 4.0L Power Tech I-6 Engine ENO = Engines - ALL 4/5 CYL Turbo Diesel ERO = Engines - All 4.0L 6 Cyl Gas EPO = ENGINES - ALL 2.5L 4 CYL GAS	DCB = Transmission - 4-Speed Manual,T3340 DDQ = 5-Speed Manual Transmission DDX = 5-Speed HD Manual Transmission DGD = 3-Spd. Automatic 30RH Transmission DGK = 4-Spd. Automatic 42RE Transmission DGS = 4-Speed Automatic AW4 Transmission DGT = 4-Spd. Automatic 46RE Transmission DGW = TRANSMISSION - 4-SPD. AUTOMATIC,44RE DGX = 4-Speed Automatic Transmission DGY = No Description Available DGZ = Transmission- 4-Spd. Automatic,MT643 DBB = ALL MANUAL TRANSMISSIONS DGO = TRANSMISSIONS - ALL AUTOMATIC

AR = use ase required - = Non illustrated part

1998 XJ

Fuel Lines, Front
Figure 14-325

ITEM	PART NUMBER	QTY	LINE	SERIES	BODY	ENGINE	TRANS	TRIM	DESCRIPTION
-20	04546594	1				ENO			SLEEVE, Braided Expandable
21	52100077	1				ENO			CLIP, Tube, 2 Way



CHEROKEE (XJ)

SERIES LINE
 L = LOWLINE B = JEEP - 2WD (RHD)
 U = JEEP - 4WD (RHD)
 T = LHD - (2WD)
 J = JEEP - - LHD (4WD)

BODY
 72 = 2DR (101.4 WB)
 74 = 4 DR (101.4 WB)

ENGINE TRANSMISSION
 ENC = 2.5L 4 Cyl Turbo Diesel Engine DCB = Transmission - 4-Speed Manual,T3340
 EPE = Engine - 2.5L Power Tech I-4 Cyl. DDQ = 5-Speed Manual Transmission
 ERH = 4.0L Power Tech I-6 Engine DDX = 5-Speed HD Manual Transmission
 ENO = Engines - ALL 4/5 CYL Turbo Diesel DGD = 3-Spd. Automatic 30RH Transmission
 ERO = Engines - All 4.0L 6 Cyl Gas DGK = 4-Spd. Automatic 42RE Transmission
 EPO = ENGINES - ALL 2.5L 4 CYL GAS DGS = 4-Speed Automatic AW4 Transmission
 DGT = 4-Spd. Automatic 46RE Transmission
 DGW = TRANSMISSION - 4-SPD. AUTOMATIC,44RE
 DGX = 4-Speed Automatic Transmission
 DGY = No Description Available
 DGZ = Transmission- 4-Spd. Automatic,MT643
 DBB = ALL MANUAL TRANSMISSIONS
 DGO = TRANSMISSIONS - ALL AUTOMATIC

AR = use ase required - = Non illustrated part

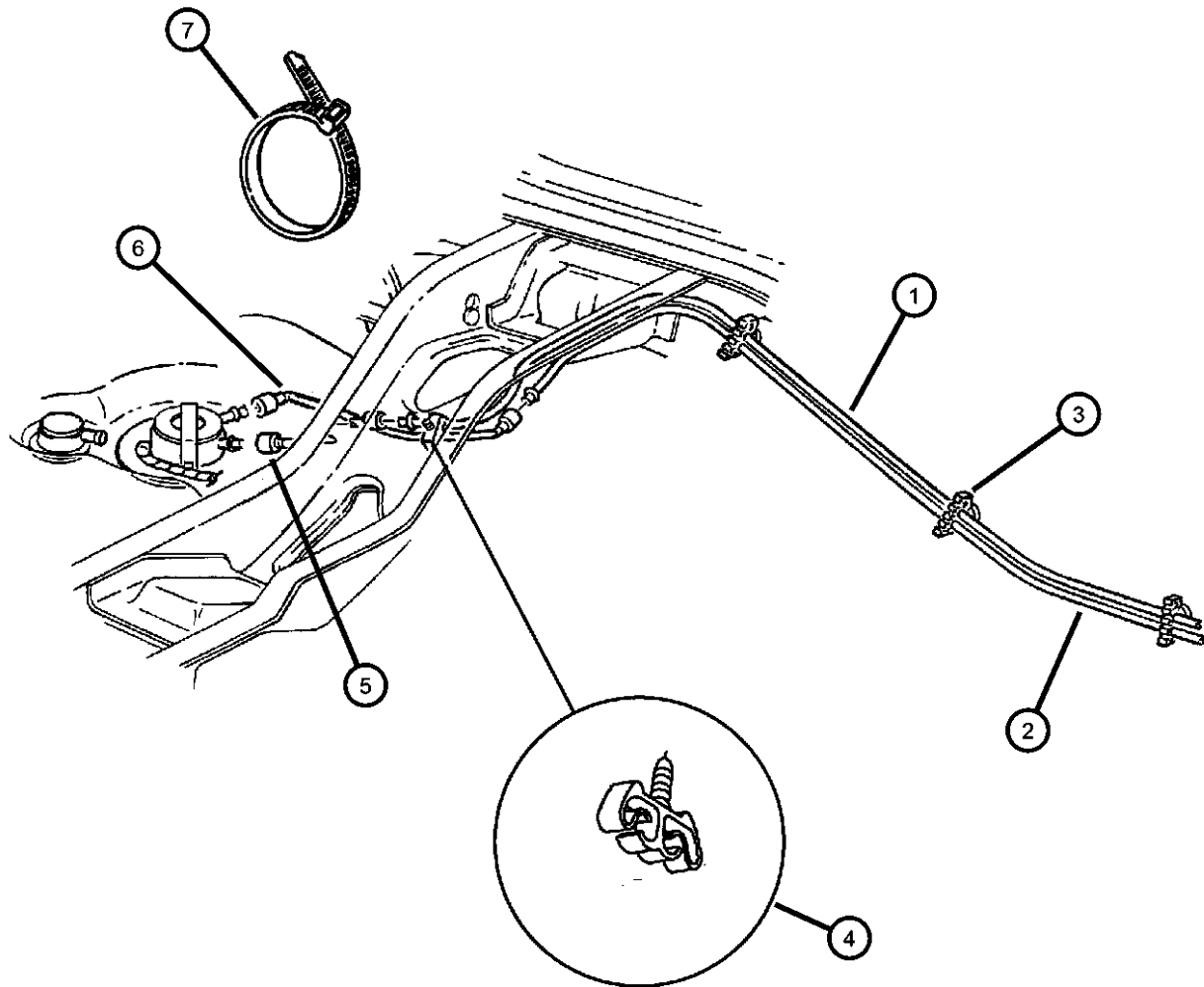
1998 XJ

Fuel Lines, Rear
Figure 14-335

ITEM	PART NUMBER	QTY	LINE	SERIES	BODY	ENGINE	TRANS	TRIM	DESCRIPTION
------	-------------	-----	------	--------	------	--------	-------	------	-------------

NOTE: All 2.5L Diesel Engines

1	52127896	1							TUBE, Fuel Supply
2	52127898	1				ENO			TUBE, Fuel Return
3	52100286AA	6							CLIP, 5 Way
4	04612871AB	1							CLIP, Fuel Bundle
5	52100037AB	1				ENO			TUBE, Fuel Supply
6	52100038	1				ENO			TUBE, Fuel Return
7	04641780	1							STRAP, Tie



CHEROKEE (XJ)

SERIES	LINE	BODY	ENGINE	TRANSMISSION
L = LOWLINE	B = JEEP - 2WD (RHD) U = JEEP - 4WD (RHD) T = LHD - (2WD) J = JEEP - - LHD (4WD)	72 = 2DR (101.4 WB) 74 = 4 DR (101.4 WB)	ENC = 2.5L 4 Cyl Turbo Diesel Engine EPE = Engine - 2.5L Power Tech I-4 Cyl. ERH = 4.0L Power Tech I-6 Engine ENO = Engines - ALL 4/5 CYL Turbo Diesel ERO = Engines - All 4.0L 6 Cyl Gas EPO = ENGINES - ALL 2.5L 4 CYL GAS	DCB = Transmission - 4-Speed Manual,T3340 DDQ = 5-Speed Manual Transmission DDX = 5-Speed HD Manual Transmission DGD = 3-Spd. Automatic 30RH Transmission DGK = 4-Spd. Automatic 42RE Transmission DGS = 4-Speed Automatic AW4 Transmission DGT = 4-Spd. Automatic 46RE Transmission DGW = TRANSMISSION - 4-SPD. AUTOMATIC,44RE DGX = 4-Speed Automatic Transmission DGY = No Description Available DGZ = Transmission- 4-Spd. Automatic,MT643 DBB = ALL MANUAL TRANSMISSIONS DGO = TRANSMISSIONS - ALL AUTOMATIC

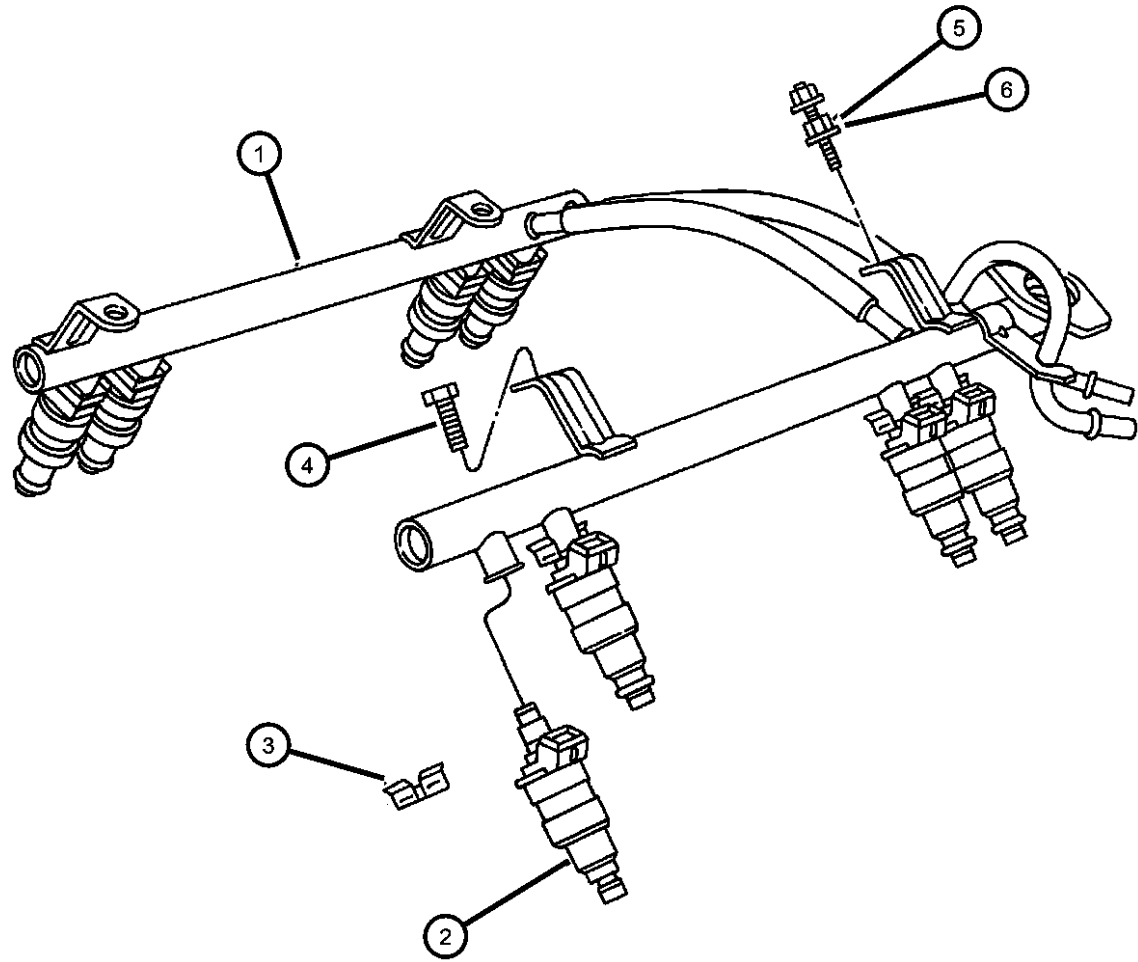
AR = use ase required - = Non illustrated part

1998 XJ

**Fuel Injection System
Figure 14-410**

ITEM	PART NUMBER	QTY	LINE	SERIES	BODY	ENGINE	TRANS	TRIM	DESCRIPTION
------	-------------	-----	------	--------	------	--------	-------	------	-------------

NOTE: EP0=All 2.5L Gas Engines ER0=All 4.0L Engines



1	53013017AB	1				EP0			RAIL, Fuel
	53030699	1				ER0			
2	53030778	6				ER0			INJECTOR, Fuel
		4				EP0			
3	04418257	6				ER0			CLIP, Fuel Injector
		4				EP0			
4	06501979	3				ER0			SCREW AND WASHER, Hex Head, M6x1x17
		2				EP0			
5	06502086	2				EP0			STUD
6	06502647	1				ER0			STUD, M6x1.00x44
-7	05018781AA	1				EP0			CAP
		1				ER0			Diagnostic Port

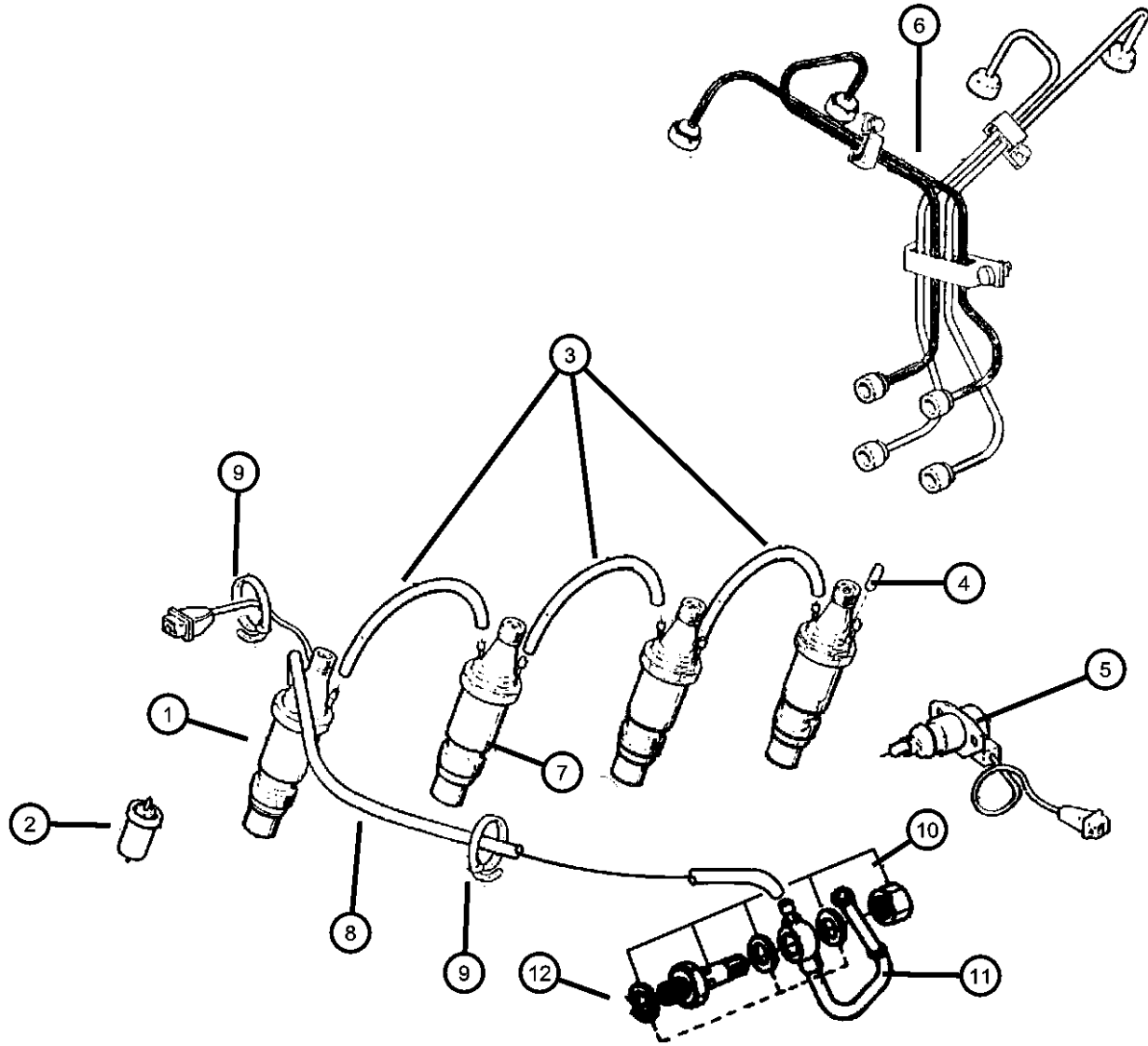
CHEROKEE (XJ)

SERIES	LINE	BODY	ENGINE	TRANSMISSION
L = LOWLINE	B = JEEP - 2WD (RHD) U = JEEP - 4WD (RHD) T = LHD - (2WD) J = JEEP - - LHD (4WD)	72 = 2DR (101.4 WB) 74 = 4 DR (101.4 WB)	ENC = 2.5L 4 Cyl Turbo Diesel Engine EPE = Engine - 2.5L Power Tech I-4 Cyl. ERH = 4.0L Power Tech I-6 Engine ENO = Engines - ALL 4/5 CYL Turbo Diesel ERO = Engines - All 4.0L 6 Cyl Gas EP0 = ENGINES - ALL 2.5L 4 CYL GAS	DCB = Transmission - 4-Speed Manual,T3340 DDQ = 5-Speed Manual Transmission DDX = 5-Speed HD Manual Transmission DGD = 3-Spd. Automatic 30RH Transmission DGK = 4-Spd. Automatic 42RE Transmission DGS = 4-Speed Automatic AW4 Transmission DGT = 4-Spd. Automatic 46RE Transmission DGW = TRANSMISSION - 4-SPD. AUTOMATIC,44RE DGX = 4-Speed Automatic Transmission DGY = No Description Available DGZ = Transmission- 4-Spd. Automatic,MT643 DBB = ALL MANUAL TRANSMISSIONS DGO = TRANSMISSIONS - ALL AUTOMATIC

AR = use ase required - = Non illustrated part

**Fuel Injection System
Figure 14-440**

ITEM	PART NUMBER	QTY	LINE	SERIES	BODY	ENGINE	TRANS	TRIM	DESCRIPTION
NOTE: EN0=All 2.5L Diesel Engines									
1	04886231AA	1				EN0			INJECTOR, Fuel
2	04723346	4				EN0			NOZZLE, Fuel Injector
3	04720189	3				EN0			PIPE, Fuel Spill Return
4	04720197	1				EN0			PLUG, Cylinder Block Oil Hole
5	04797786	1				EN0			ADVANCE, Automatic Injection
6	05003530AA	1				EN0			TUBE, Fuel Injector Supply
7	04720171	3				EN0			INJECTOR, Fuel
8	04720190	1				EN0			PIPE, Fuel Spill Return
9	04728184	3				EN0			CLIP, Spill Return Pipe
10	04728184	3							VALVE, Flow Control, (NOT REQUIRED)
11	04864579	1				EN0			BANJO, Fuel
12	04720703	1				EN0			WASHER, Plain



CHEROKEE (XJ)

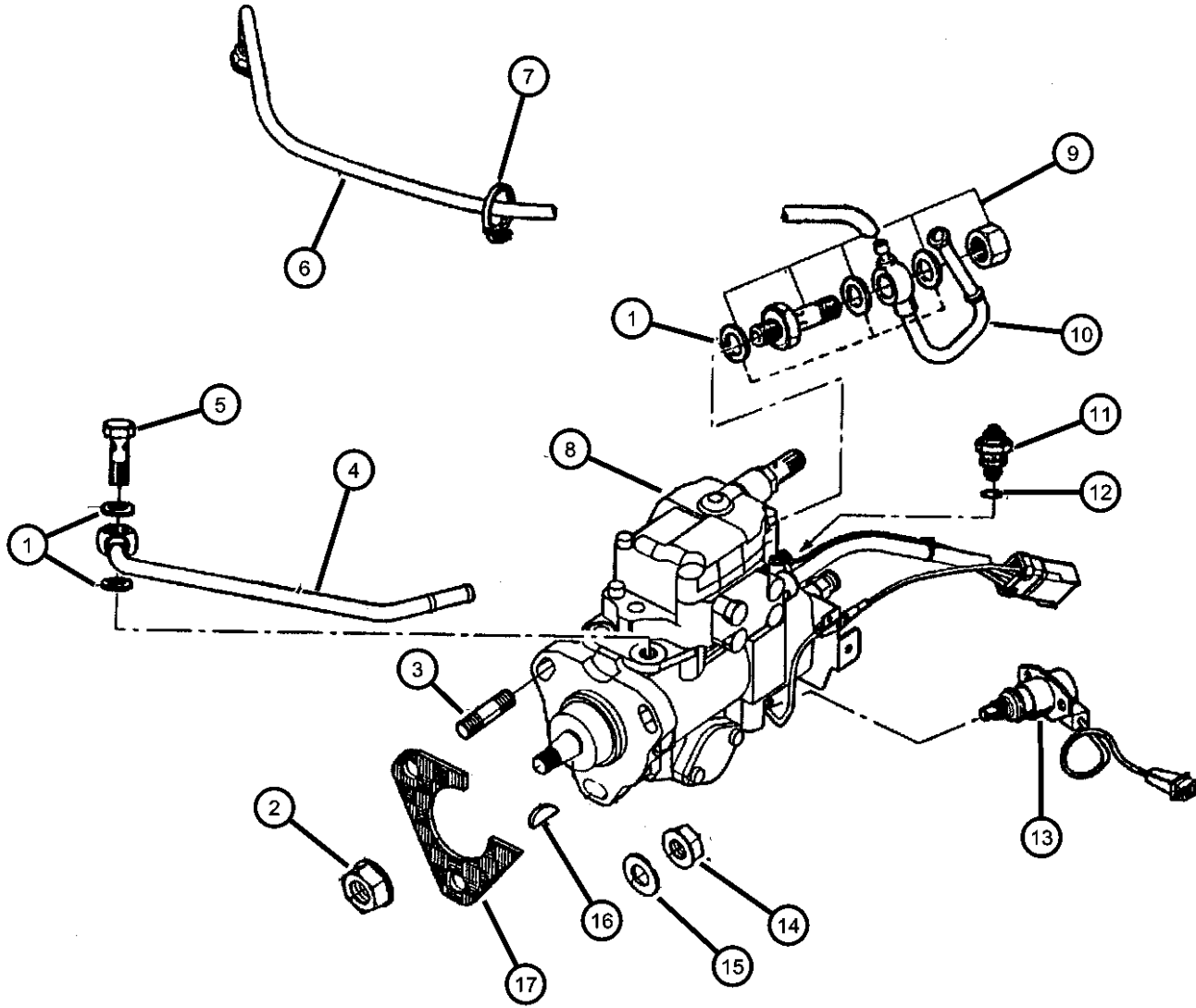
SERIES LINE
 L = LOWLINE B = JEEP - 2WD (RHD)
 U = JEEP - 4WD (RHD)
 T = LHD - (2WD)
 J = JEEP - - LHD (4WD)

BODY
 72 = 2DR (101.4 WB)
 74 = 4 DR (101.4 WB)

ENGINE TRANSMISSION
 ENC = 2.5L 4 Cyl Turbo Diesel Engine DCB = Transmission - 4-Speed Manual,T3340
 EPE = Engine - 2.5L Power Tech I-4 Cyl. DDQ = 5-Speed Manual Transmission
 ERH = 4.0L Power Tech I-6 Engine DDX = 5-Speed HD Manual Transmission
 ENO = Engines - ALL 4/5 CYL Turbo Diesel DGD = 3-Spd. Automatic 30RH Transmission
 ERO = Engines - All 4.0L 6 Cyl Gas DGK = 4-Spd. Automatic 42RE Transmission
 EPO = ENGINES - ALL 2.5L 4 CYL GAS DGS = 4-Speed Automatic AW4 Transmission
 DGT = 4-Spd. Automatic 46RE Transmission
 DGW = TRANSMISSION - 4-SPD. AUTOMATIC,44RE
 DGX = 4-Speed Automatic Transmission
 DGY = No Description Available
 DGZ = Transmission- 4-Spd. Automatic,MT643
 DBB = ALL MANUAL TRANSMISSIONS
 DGO = TRANSMISSIONS - ALL AUTOMATIC

AR = use ase required - = Non illustrated part

Fuel Injection Pump
Figure 14-460



ITEM	PART NUMBER	QTY	LINE	SERIES	BODY	ENGINE	TRANS	TRIM	DESCRIPTION
------	-------------	-----	------	--------	------	--------	-------	------	-------------

NOTE: EN0=All 2.5L Diesel Engines

1	04720703	2				EN0			WASHER, Plain
2	04883402AA	1				EN0			NUT
3	04723241	8				EN0			STUD
4	04886307AA	1				EN0			BANJO, Fuel
5	04797785	1				EN0			BOLT, Banjo
6	04720190	1				EN0			PIPE, Fuel Spill Return
7	04728184	3				EN0			CLIP, Spill Return Pipe
8	04883459AA	1				EN0			PUMP, Fuel Injection
9	04883459AA	1							VALVE, Flow Control, (NOT REQUIRED)
10	04864579	1				EN0			BANJO, Fuel
11	04723264	1				EN0			SOLENOID, Fuel Shut Off Valve
12	04723266	1				EN0			O RING, Fuel Solenoid
13	04797786	1				EN0			ADVANCE, Automatic Injection
14	04778961	3				EN0			NUT
15	04720193	3				EN0			WASHER, Flat
16	04720198	1				EN0			KEY, Fuel Injection Pump
17	04720196	1				EN0			GASKET, Injection Pump

CHEROKEE (XJ)

SERIES	LINE
L = LOWLINE	B = JEEP - 2WD (RHD) U = JEEP - 4WD (RHD) T = LHD - (2WD) J = JEEP - - LHD (4WD)

BODY
72 = 2DR (101.4 WB) 74 = 4 DR (101.4 WB)

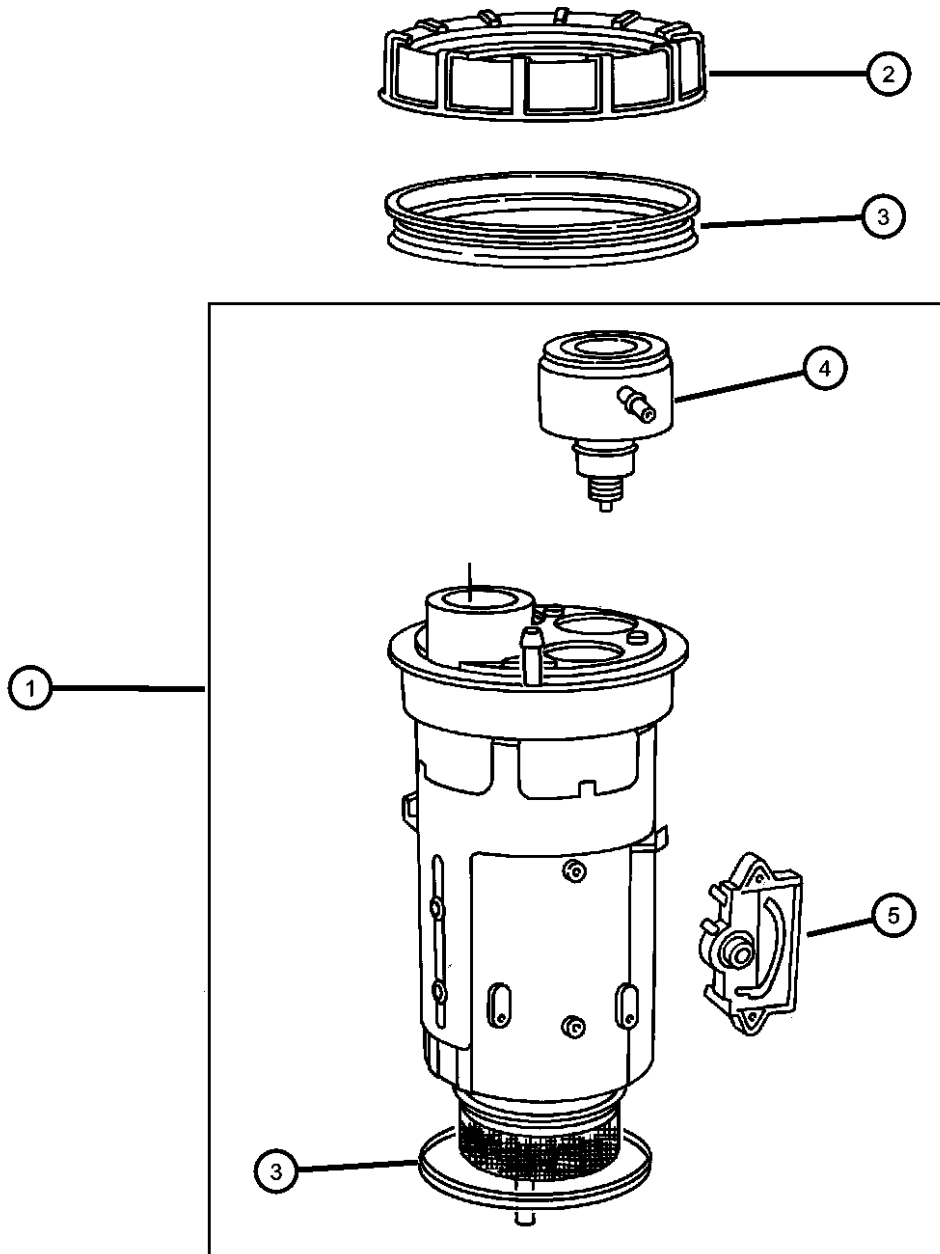
ENGINE	TRANSMISSION
ENC = 2.5L 4 Cyl Turbo Diesel Engine	DCB = Transmission - 4-Speed Manual, T3340
EPE = Engine - 2.5L Power Tech I-4 Cyl.	DDQ = 5-Speed Manual Transmission
ERH = 4.0L Power Tech I-6 Engine	DDX = 5-Speed HD Manual Transmission
ENO = Engines - ALL 4/5 CYL Turbo Diesel	DGD = 3-Spd. Automatic 30RH Transmission
ERO = Engines - All 4.0L 6 Cyl Gas	DGK = 4-Spd. Automatic 42RE Transmission
EPO = ENGINES - ALL 2.5L 4 CYL GAS	DGS = 4-Speed Automatic AW4 Transmission
	DGT = 4-Spd. Automatic 46RE Transmission
	DGW = TRANSMISSION - 4-SPD. AUTOMATIC, 44RE
	DGX = 4-Speed Automatic Transmission
	DGY = No Description Available
	DGZ = Transmission- 4-Spd. Automatic, MT643
	DBB = ALL MANUAL TRANSMISSIONS
	DG0 = TRANSMISSIONS - ALL AUTOMATIC

AR = use ase required - = Non illustrated part

1998 XJ

Fuel Pump and Sending Unit
Figure 14-520

ITEM	PART NUMBER	QTY	LINE	SERIES	BODY	ENGINE	TRANS	TRIM	DESCRIPTION
1	04874173AB	1				EP0, ERO			MODULE PACKAGE, Fuel Tank Includes Seal
	04874272AB	1				ENO			Includes Seal
2	52005389	1				EP0, ERO			NUT, Fuel Pump Module
		1				ENO			
3	52018808	1				EP0, ERO			SEAL, Fuel Pump and Level Unit
		1				ENO			
4	04798301	1				EP0, ERO			FILTER, Fuel
5	05010176AA	1				EP0, ERO			BOARD PACKAGE, Fuel Level Circuit
		1				ENO			



CHEROKEE (XJ)

SERIES

L = LOWLINE

LINE

B = JEEP - 2WD (RHD)
U = JEEP - 4WD (RHD)
T = LHD - (2WD)
J = JEEP - - LHD (4WD)

BODY

72 = 2DR (101.4 WB)
74 = 4 DR (101.4 WB)

ENGINE

ENC = 2.5L 4 Cyl Turbo Diesel Engine
EPE = Engine - 2.5L Power Tech I-4 Cyl.
ERH = 4.0L Power Tech I-6 Engine
ENO = Engines - ALL 4/5 CYL Turbo Diesel
ERO = Engines - All 4.0L 6 Cyl Gas
EP0 = ENGINES - ALL 2.5L 4 CYL GAS

TRANSMISSION

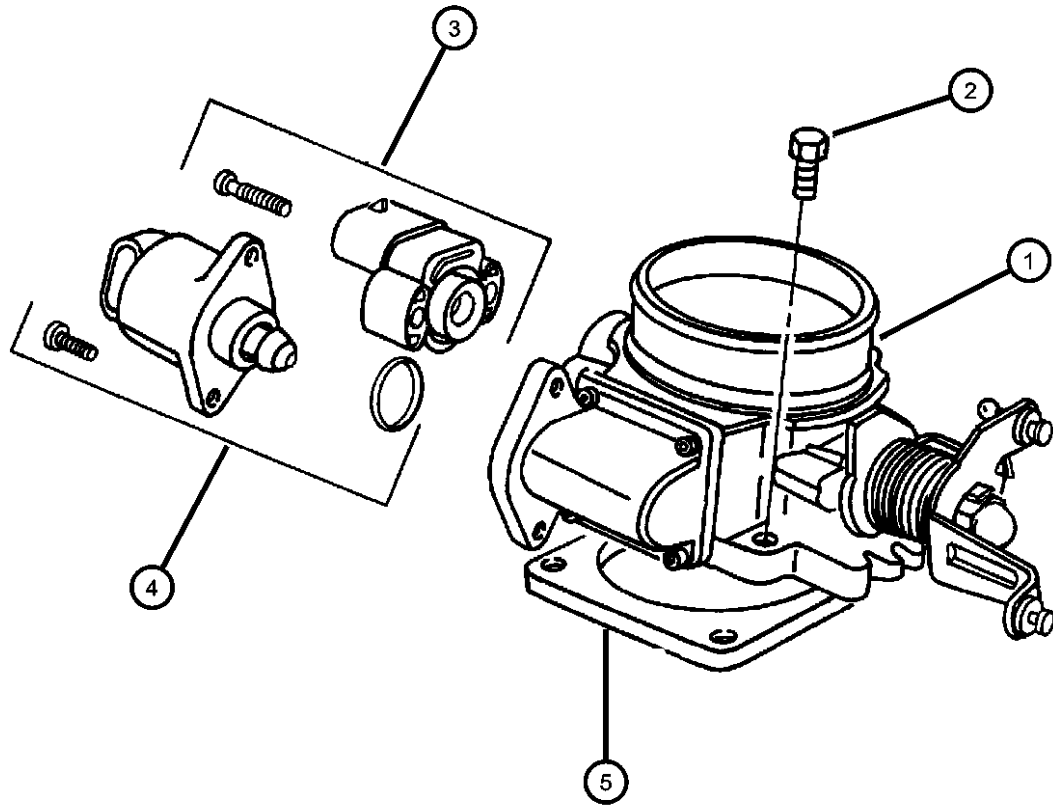
DCB = Transmission - 4-Speed Manual,T3340
DDQ = 5-Speed Manual Transmission
DDX = 5-Speed HD Manual Transmission
DGD = 3-Spd. Automatic 30RH Transmission
DGK = 4-Spd. Automatic 42RE Transmission
DGS = 4-Speed Automatic AW4 Transmission
DGT = 4-Spd. Automatic 46RE Transmission
DGW = TRANSMISSION - 4-SPD. AUTOMATIC,44RE
DGX = 4-Speed Automatic Transmission
DGY = No Description Available
DGZ = Transmission- 4-Spd. Automatic,MT643
DBB = ALL MANUAL TRANSMISSIONS
DGO = TRANSMISSIONS - ALL AUTOMATIC

AR = use ase required - = Non illustrated part

1998 XJ

**Throttle Body
Figure 14-610**

ITEM	PART NUMBER	QTY	LINE	SERIES	BODY	ENGINE	TRANS	TRIM	DESCRIPTION
NOTE: EP0=All 2.5L Gas Engines, ER0=All 4.0L Engines									
1									THROTTLE BODY
	53032016AC	1				EP0			
	53032023AC	1				ER0			
2	06503929	4				EP0, ER0			SCREW AND WASHER, Coned Pilot, M6x1x30
3									SENSOR, Throttle Position
	04874371	1				EP0			
		1				ER0			
4									MOTOR, Air Idle Speed
	53030820	1				EP0			
	53030821	1				ER0			
5	53007543	1				EP0, ER0			GASKET, Throttle Body
-6	53009672	1				EP0, ER0			CONNECTOR, Emission Hose

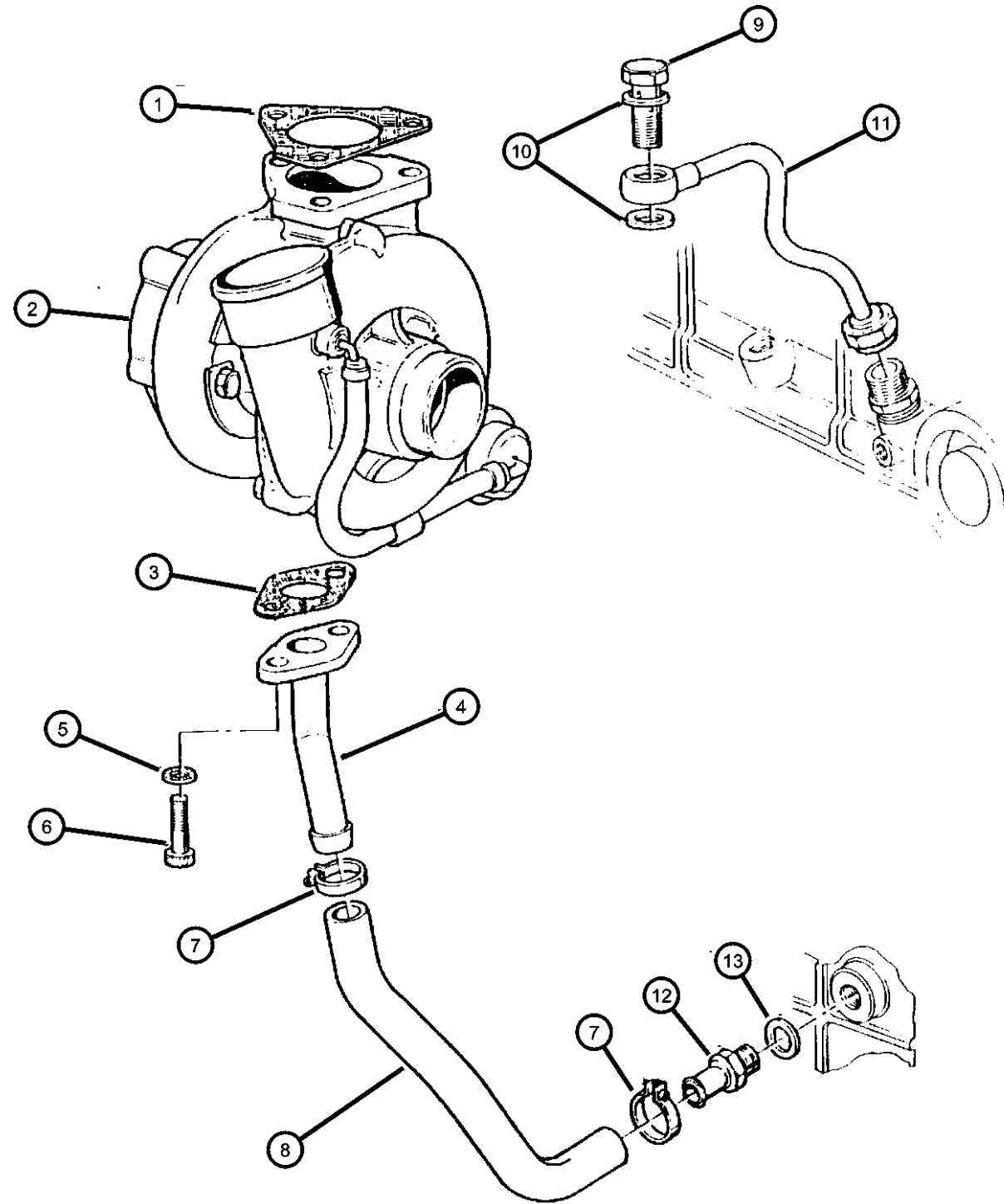


CHEROKEE (XJ)

SERIES	LINE	BODY	ENGINE	TRANSMISSION
L = LOWLINE	B = JEEP - 2WD (RHD) U = JEEP - 4WD (RHD) T = LHD - (2WD) J = JEEP - - LHD (4WD)	72 = 2DR (101.4 WB) 74 = 4 DR (101.4 WB)	ENC = 2.5L 4 Cyl Turbo Diesel Engine EPE = Engine - 2.5L Power Tech I-4 Cyl. ERH = 4.0L Power Tech I-6 Engine ENO = Engines - ALL 4/5 CYL Turbo Diesel ERO = Engines - All 4.0L 6 Cyl Gas EP0 = ENGINES - ALL 2.5L 4 CYL GAS	DCB = Transmission - 4-Speed Manual,T3340 DDQ = 5-Speed Manual Transmission DDX = 5-Speed HD Manual Transmission DGD = 3-Spd. Automatic 30RH Transmission DGK = 4-Spd. Automatic 42RE Transmission DGS = 4-Speed Automatic AW4 Transmission DGT = 4-Spd. Automatic 46RE Transmission DGW = TRANSMISSION - 4-SPD. AUTOMATIC,44RE DGX = 4-Speed Automatic Transmission DGY = No Description Available DGZ = Transmission- 4-Spd. Automatic,MT643 DBB = ALL MANUAL TRANSMISSIONS DGO = TRANSMISSIONS - ALL AUTOMATIC

AR = use ase required - = Non illustrated part

**Turbocharger
Figure 14-660**



NOTE: EN0=All 2.5L Diesel Engines

ITEM	PART NUMBER	QTY	LINE	SERIES	BODY	ENGINE	TRANS	TRIM	DESCRIPTION
1	04720203AB	1				EN0			GASKET, Turbocharger To Manifold
2	04864756	1				EN0			TURBOCHARGER
3	04796007AB	1				EN0			GASKET, Turbo Oil Return Pipe
4	04796008	1				EN0			PIPE, Oil Return
5	04720305	2				EN0			WASHER, Plain
6	04728186	1				EN0			BOLT, Oil Drain Pipe
7	04886052AA	2				EN0			CLAMP, Heater Hose
8	04796009	1				EN0			PIPE, Oil Return
9	04797785	1				EN0			BOLT, Banjo
10	04720703	2				EN0			WASHER, Plain
11	04796400	1				EN0			PIPE, Oil Feed
12	04796010	1				EN0			ADAPTER, Oil Delivery Tube
13	04797784	1				EN0			WASHER, Plain, 16.2x19.9x1.5

CHEROKEE (XJ)

SERIES LINE
 L = LOWLINE B = JEEP - 2WD (RHD)
 U = JEEP - 4WD (RHD)
 T = LHD - (2WD)
 J = JEEP - - LHD (4WD)

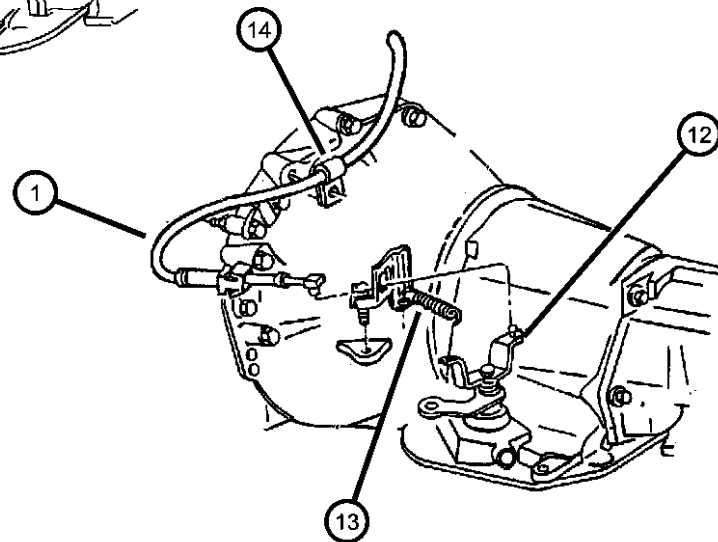
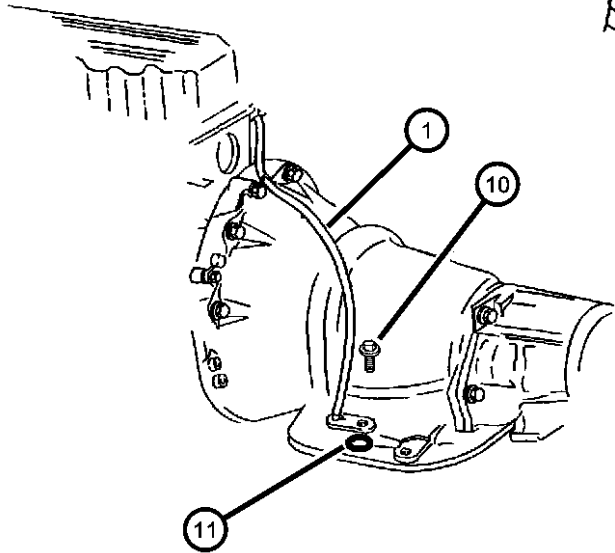
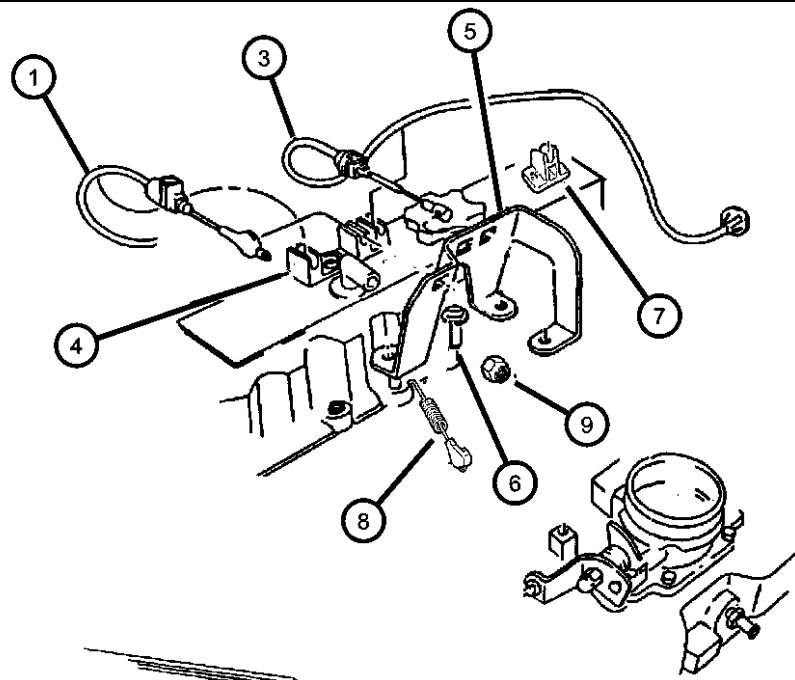
BODY
 72 = 2DR (101.4 WB)
 74 = 4 DR (101.4 WB)

ENGINE TRANSMISSION
 ENC = 2.5L 4 Cyl Turbo Diesel Engine
 EPE = Engine - 2.5L Power Tech I-4 Cyl.
 ERH = 4.0L Power Tech I-6 Engine
 ENO = Engines - ALL 4/5 CYL Turbo Diesel
 ERO = Engines - All 4.0L 6 Cyl Gas
 EPO = ENGINES - ALL 2.5L 4 CYL GAS

DCB = Transmission - 4-Speed Manual,T3340
 DDQ = 5-Speed Manual Transmission
 DDX = 5-Speed HD Manual Transmission
 DGD = 3-Spd. Automatic 30RH Transmission
 DGK = 4-Spd. Automatic 42RE Transmission
 DGS = 4-Speed Automatic AW4 Transmission
 DGT = 4-Spd. Automatic 46RE Transmission
 DGW = TRANSMISSION - 4-SPD. AUTOMATIC,44RE
 DGX = 4-Speed Automatic Transmission
 DGY = No Description Available
 DGZ = Transmission- 4-Spd. Automatic,MT643
 DBB = ALL MANUAL TRANSMISSIONS
 DGO = TRANSMISSIONS - ALL AUTOMATIC

AR = use ase required - = Non illustrated part

Throttle Controls
Figure 14-720



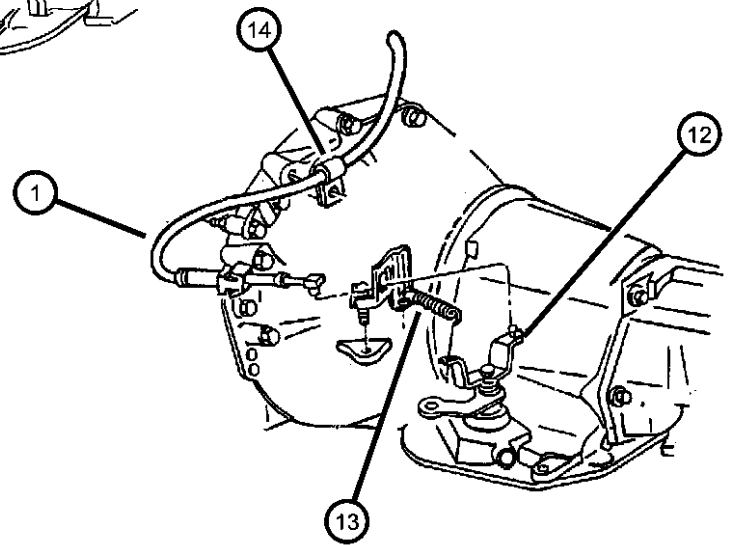
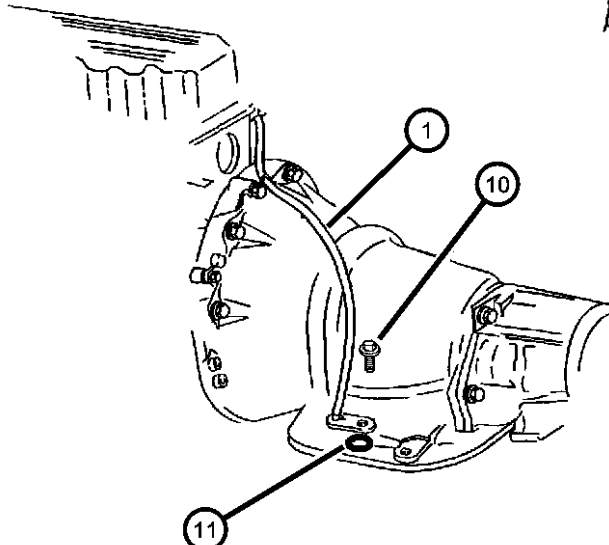
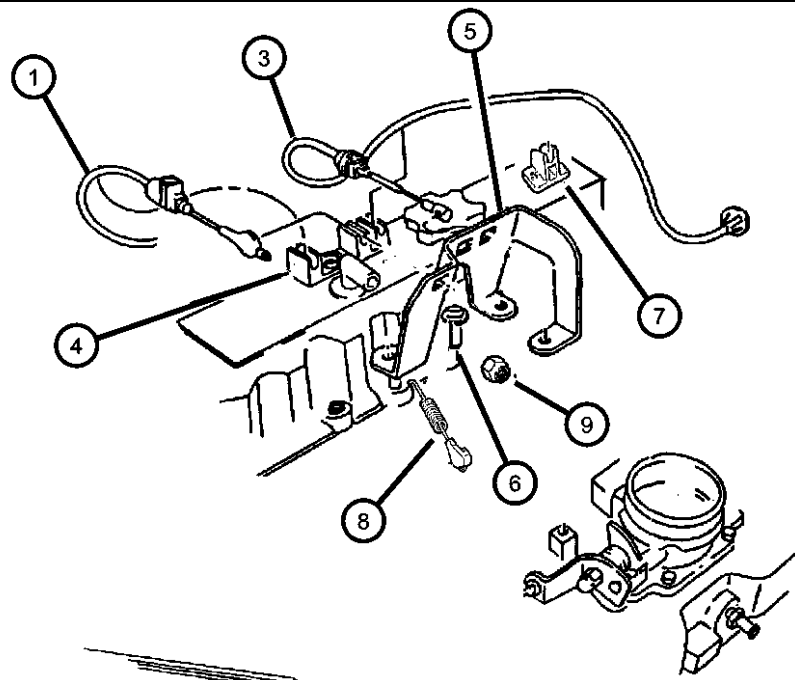
ITEM	PART NUMBER	QTY	LINE	SERIES	BODY	ENGINE	TRANS	TRIM	DESCRIPTION
NOTE: EP0=All 2.5L Gas Engine ER0=All 4.0L Engines									
1	52078171AB	1	J, T			EP0	DG0		CABLE, Throttle Valve
-2	52077578	1	B, T			ER0	DGS		CABLE, Throttle Control
		1	J, U			ER0	DGS		
3	04854087	1	B, U			EP0			CABLE, Accelerator
	52079109	1	B, U			ER0			
	52079504	1	J, T			EP0, ER0			
4	52079029	1				ER0			GUIDE, Accelerator Cable
	53007620	1				EP0			
5	53007485	1				EP0			BRACKET, Accelerator Cable
	53007486	1				ER0			
6	06501979	3				ER0			SCREW AND WASHER, Hex Head, M6x1x17
		2				EP0			
7	52078987	1	J, T			ER0			GUIDE, Accelerator Cable
8	52078102AB	1				EP0, ER0	DBB		SPRING, Throttle Return
	53007985	1	J, T			EP0	DG0		

CHEROKEE (XJ)

SERIES	LINE	BODY	ENGINE	TRANSMISSION
L = LOWLINE	B = JEEP - 2WD (RHD) U = JEEP - 4WD (RHD) T = LHD - (2WD) J = JEEP - - LHD (4WD)	72 = 2DR (101.4 WB) 74 = 4 DR (101.4 WB)	ENC = 2.5L 4 Cyl Turbo Diesel Engine EPE = Engine - 2.5L Power Tech I-4 Cyl. ERH = 4.0L Power Tech I-6 Engine ENO = Engines - ALL 4/5 CYL Turbo Diesel ER0 = Engines - All 4.0L 6 Cyl Gas EP0 = ENGINES - ALL 2.5L 4 CYL GAS	DCB = Transmission - 4-Speed Manual, T3340 DDQ = 5-Speed Manual Transmission DDX = 5-Speed HD Manual Transmission DGD = 3-Spd. Automatic 30RH Transmission DGK = 4-Spd. Automatic 42RE Transmission DGS = 4-Speed Automatic AW4 Transmission DGT = 4-Spd. Automatic 46RE Transmission DGW = TRANSMISSION - 4-SPD. AUTOMATIC, 44RE DGX = 4-Speed Automatic Transmission DGY = No Description Available DGZ = Transmission- 4-Spd. Automatic, MT643 DBB = ALL MANUAL TRANSMISSIONS DG0 = TRANSMISSIONS - ALL AUTOMATIC

AR = use ase required - = Non illustrated part

Throttle Controls
Figure 14-720



ITEM	PART NUMBER	QTY	LINE	SERIES	BODY	ENGINE	TRANS	TRIM	DESCRIPTION
9	06100047	1				EP0			NUT AND WASHER, Hex Nut-Coned Washer, M6 x 1.00
		1				ER0			
10	34201808	AR	J, U			ER0	DGS		SCREW AND CONED WASHER, Hex Head, M6x1.00x16.00
		AR	B, T			ER0	DGS		
11	83503708	1	J, U			ER0	DGS		O RING, Throttle Cable
		1	B, T			ER0	DGS		
12	53007983	1	J, T			EP0	DG0		LEVER, Throttle Valve
13	53007985	1	J, T			EP0	DG0		SPRING, Throttle Return
14	52078465	1				EP0	DGD		CLIP, Cable

CHEROKEE (XJ)

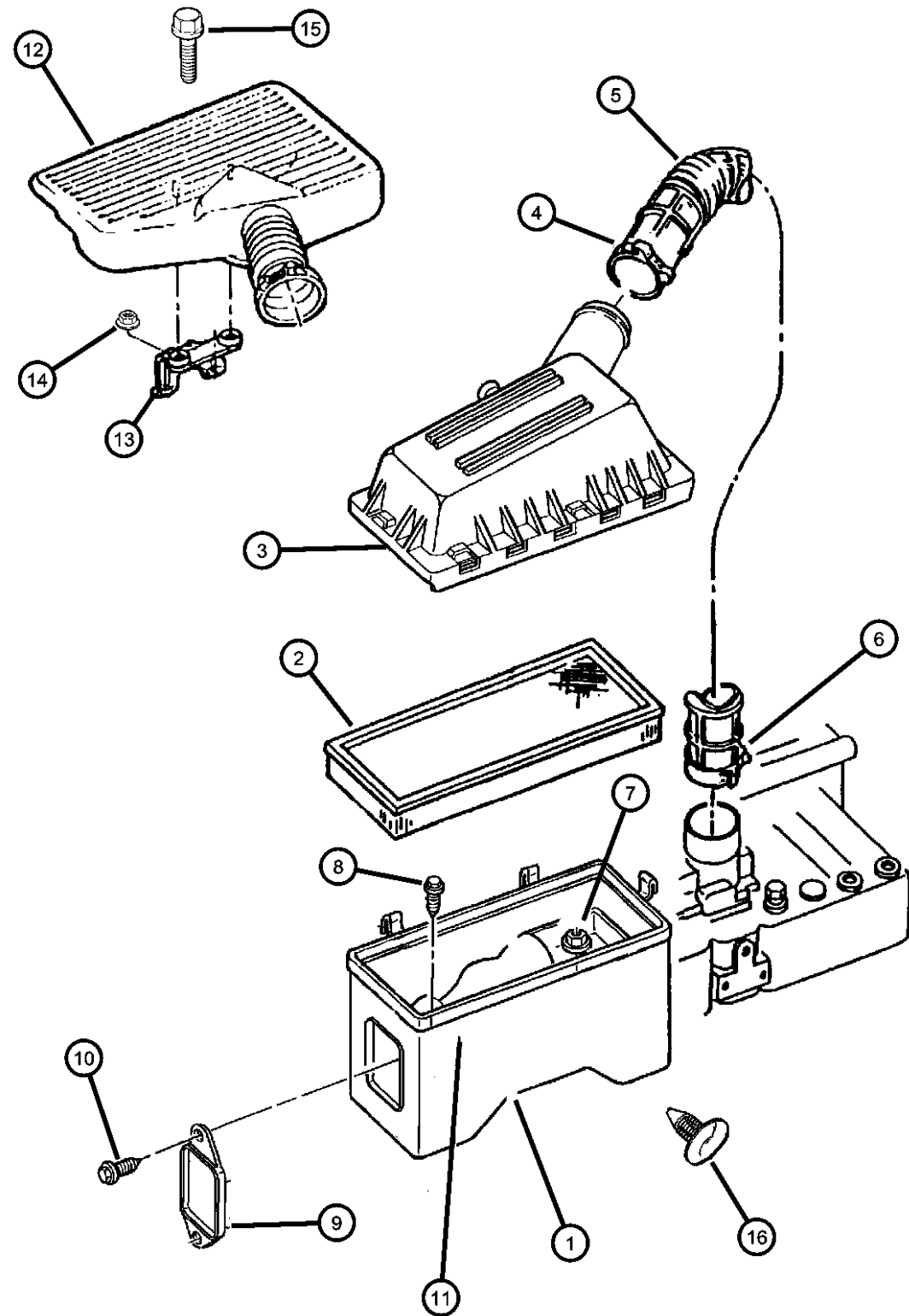
SERIES LINE
L = LOWLINE B = JEEP - 2WD (RHD)
U = JEEP - 4WD (RHD)
T = LHD - (2WD)
J = JEEP - - LHD (4WD)

BODY
72 = 2DR (101.4 WB)
74 = 4 DR (101.4 WB)

ENGINE TRANSMISSION
ENC = 2.5L 4 Cyl Turbo Diesel Engine
EPE = Engine - 2.5L Power Tech I-4 Cyl.
ERH = 4.0L Power Tech I-6 Engine
ENO = Engines - ALL 4/5 CYL Turbo Diesel
ERO = Engines - All 4.0L 6 Cyl Gas
EP0 = ENGINES - ALL 2.5L 4 CYL GAS
DCB = Transmission - 4-Speed Manual,T3340
DDQ = 5-Speed Manual Transmission
DDX = 5-Speed HD Manual Transmission
DGD = 3-Spd. Automatic 30RH Transmission
DGK = 4-Spd. Automatic 42RE Transmission
DGS = 4-Speed Automatic AW4 Transmission
DGT = 4-Spd. Automatic 46RE Transmission
DGW = TRANSMISSION - 4-SPD. AUTOMATIC,44RE
DGX = 4-Speed Automatic Transmission
DGY = No Description Available
DGZ = Transmission- 4-Spd. Automatic,MT643
DBB = ALL MANUAL TRANSMISSIONS
DG0 = TRANSMISSIONS - ALL AUTOMATIC

AR = use ase required - = Non illustrated part

Air Cleaner
Figure 14-820



ITEM	PART NUMBER	QTY	LINE	SERIES	BODY	ENGINE	TRANS	TRIM	DESCRIPTION
NOTE: EP0=All 2.5L Gas Engines ER0=All 4.0L Engines									
1	04854153AC	1				EP0, ER0			BODY, Air Cleaner
2	53004383	1				EP0, ER0			FILTER, Air
	77060008								Performance Cold Air Intake System, AN, 1998-2002, 5.9L
	P4510466								Performance Air Filter, AN, 1999-2002, 4.7L
	P4510467								Performance Air Filter, AN, 1997-1999, 5.2L/5.9L
	P4510468								Performance Air Filter, AN, 2000-2002, 5.9L
	P4510469								Performance Air Filter, BR, 1994-2001, 5.2L/5.9L
	P4510474								Performance Air Filter, XJ, 1991-2001, 4.0L
3	53030707	1				EP0, ER0			COVER, Air Cleaner
4									CLAMP, Hose to Air Cleaner
	53006584	1				ER0			
		1				EP0			
5	53006275	1				ER0			HOSE, Air Cleaner to T/Body
6									CLAMP, Air Cleaner Duct
	53006273	1				ER0			
		1				EP0			
7	06501291	1				EP0, ER0			NUT AND WASHER, Hex Nut-Coned Washer, M8 x 1.25
8	06501291	1							SCREW, M8x1.25x30, (NOT SERVICED)

CHEROKEE (XJ)

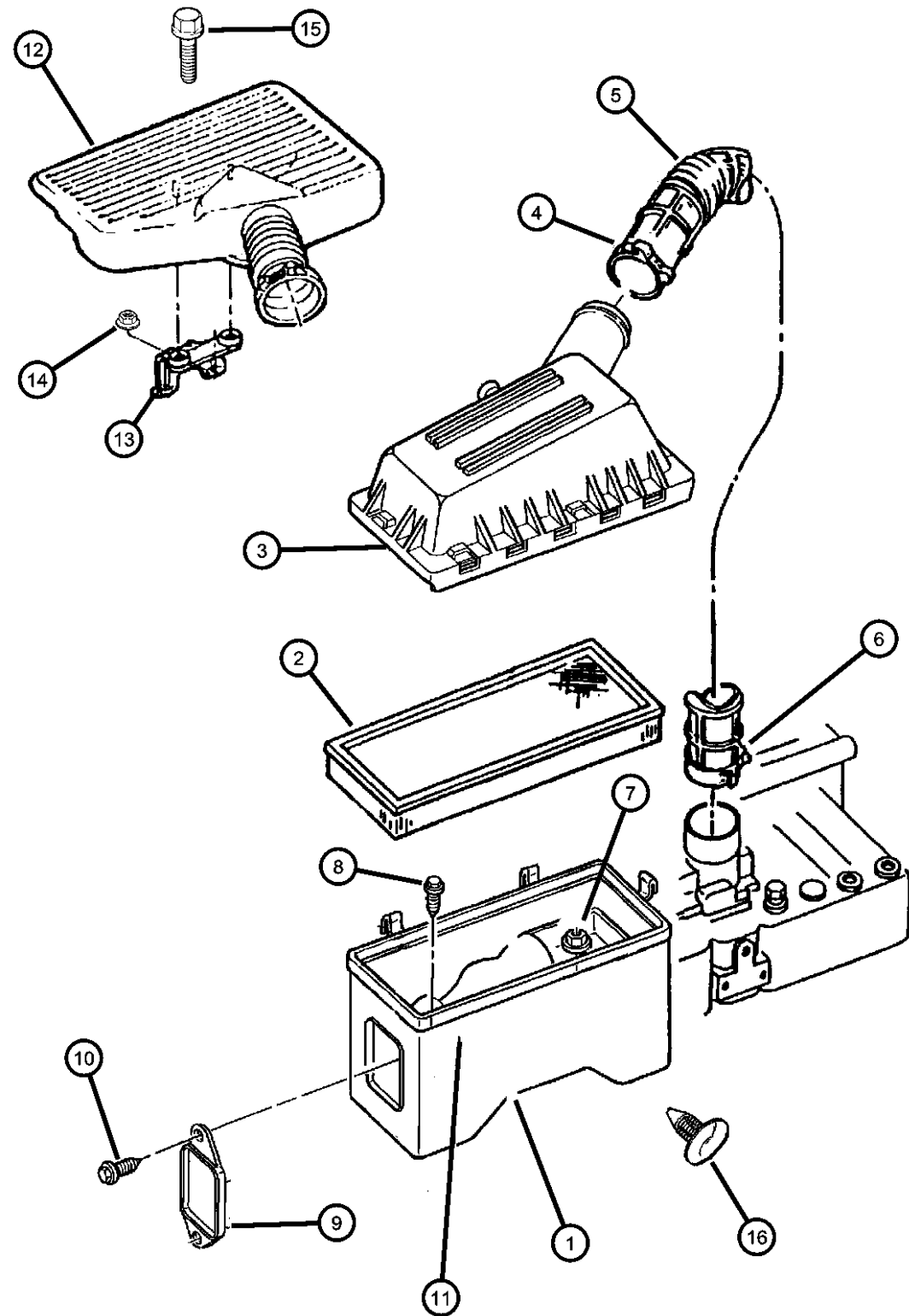
SERIES LINE
 L = LOWLINE B = JEEP - 2WD (RHD)
 U = JEEP - 4WD (RHD)
 T = LHD - (2WD)
 J = JEEP - - LHD (4WD)

BODY
 72 = 2DR (101.4 WB)
 74 = 4 DR (101.4 WB)

ENGINE TRANSMISSION
 ENC = 2.5L 4 Cyl Turbo Diesel Engine DCB = Transmission - 4-Speed Manual,T3340
 EPE = Engine - 2.5L Power Tech I-4 Cyl. DDQ = 5-Speed Manual Transmission
 ERH = 4.0L Power Tech I-6 Engine DDX = 5-Speed HD Manual Transmission
 ENO = Engines - ALL 4/5 CYL Turbo Diesel DGD = 3-Spd. Automatic 30RH Transmission
 ERO = Engines - All 4.0L 6 Cyl Gas DGK = 4-Spd. Automatic 42RE Transmission
 EP0 = ENGINES - ALL 2.5L 4 CYL GAS DGS = 4-Speed Automatic AW4 Transmission
 DGT = 4-Spd. Automatic 46RE Transmission
 DGW = TRANSMISSION - 4-SPD. AUTOMATIC,44RE
 DGX = 4-Speed Automatic Transmission
 DGY = No Description Available
 DGZ = Transmission- 4-Spd. Automatic,MT643
 DBB = ALL MANUAL TRANSMISSIONS
 DG0 = TRANSMISSIONS - ALL AUTOMATIC

AR = use ase required - = Non illustrated part

Air Cleaner
Figure 14-820



ITEM	PART NUMBER	QTY	LINE	SERIES	BODY	ENGINE	TRANS	TRIM	DESCRIPTION
9	06501291	1							COVER, Radiator Baffle, (NOT REQUIRED)
10	06501291	1							SCREW, Tapping, .164-18x.437, (NOT REQUIRED)
11	04854154	1				EP0			INSERT, Air Cleaner Noise
12									RESONATOR, Air Cleaner
	53030797	1				ER0			
	53030982	1				EP0			
13	53030796	1				ER0			BRACKET, Resonator
14	06033560	2				EP0, ER0			NUT AND WASHER, Hex Nut-Coned Washer, .25-20
15	06100288	2				EP0			BOLT AND CONED WASHER, Hex Head, M6x30x20
16	06030441	2							PIN, Retainer

CHEROKEE (XJ)

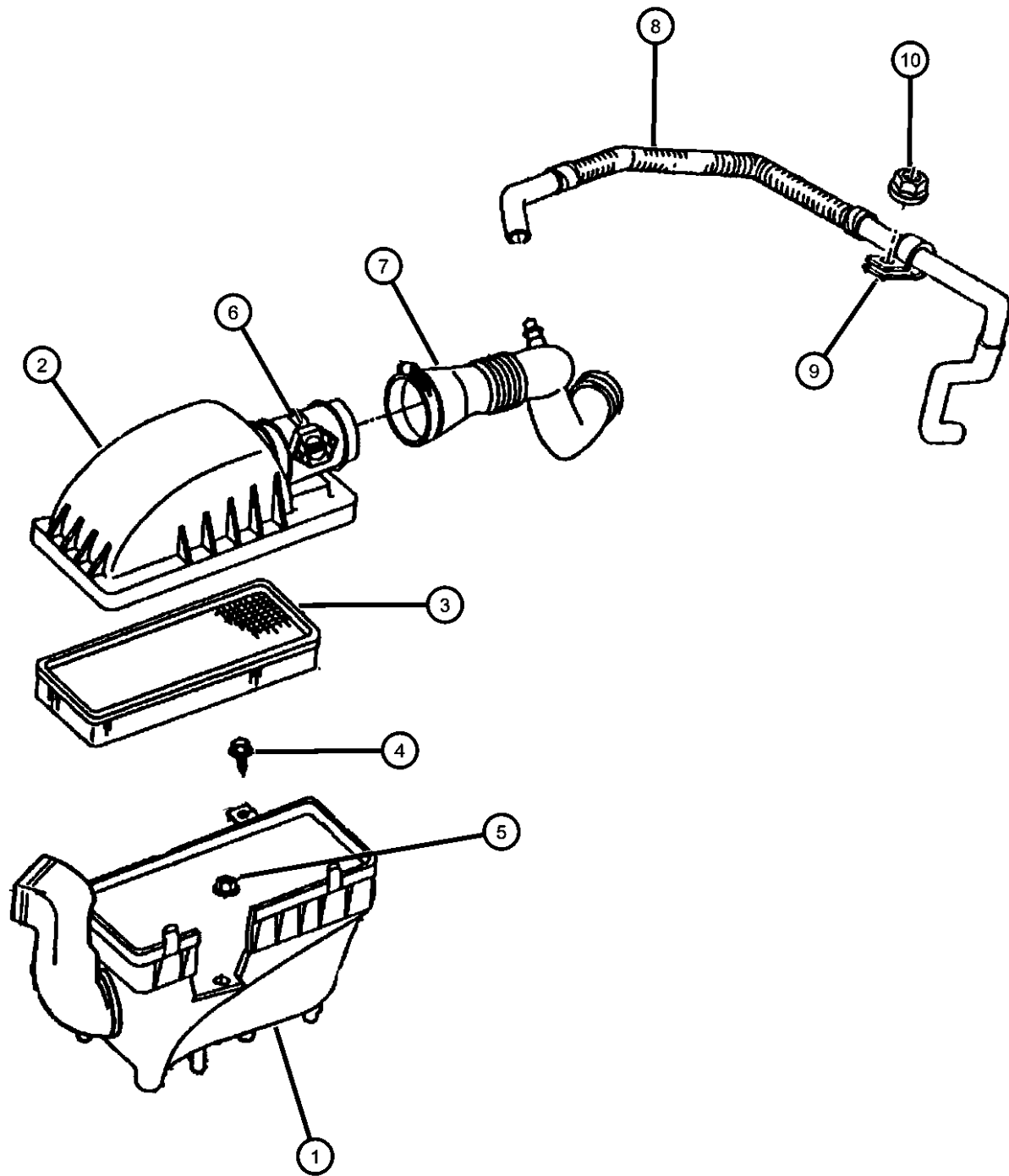
SERIES LINE
 L = LOWLINE B = JEEP - 2WD (RHD)
 U = JEEP - 4WD (RHD)
 T = LHD - (2WD)
 J = JEEP - - LHD (4WD)

BODY
 72 = 2DR (101.4 WB)
 74 = 4 DR (101.4 WB)

ENGINE TRANSMISSION
 ENC = 2.5L 4 Cyl Turbo Diesel Engine DCB = Transmission - 4-Speed Manual,T3340
 EPE = Engine - 2.5L Power Tech I-4 Cyl. DDQ = 5-Speed Manual Transmission
 ERH = 4.0L Power Tech I-6 Engine DDG = 5-Speed HD Manual Transmission
 ENO = Engines - ALL 4/5 CYL Turbo Diesel DGD = 3-Spd. Automatic 30RH Transmission
 ERO = Engines - All 4.0L 6 Cyl Gas DGK = 4-Spd. Automatic 42RE Transmission
 EP0 = ENGINES - ALL 2.5L 4 CYL GAS DGS = 4-Speed Automatic AW4 Transmission
 DGT = 4-Spd. Automatic 46RE Transmission
 DGW = TRANSMISSION - 4-SPD. AUTOMATIC,44RE
 DGX = 4-Speed Automatic Transmission
 DGY = No Description Available
 DGZ = Transmission- 4-Spd. Automatic,MT643
 DBB = ALL MANUAL TRANSMISSIONS
 DGO = TRANSMISSIONS - ALL AUTOMATIC

AR = use ase required - = Non illustrated part

Air Cleaner
Figure 14-835



ITEM	PART NUMBER	QTY	LINE	SERIES	BODY	ENGINE	TRANS	TRIM	DESCRIPTION
NOTE: All 2.5L Diesel Engines									
1	53031036	1				ENO			BODY, Air Cleaner
2	53031037	1				ENO			COVER, Air Cleaner
3	53030730	1				ENO			ELEMENT, Air Cleaner
4	06035668	1				ENO			SCREW AND WASHER, Hex Head Tapping, .25-14x1
5	06501291	1				ENO			NUT AND WASHER, Hex Nut-Coned Washer, M8 x 1.25
6	04883258	1				ENO			SENSOR PACKAGE, Air Flow Meter
7	53030696	1				ENO			HOSE, Air Induction
8	04854047	1				ENO			TUBE, Oil Separator Drain
9	J4007577	1				ENO			CLIP
10	34201358	1	J, T			ENO			NUT AND WASHER, Hex Nut-Sealing Washer, M6 x 1.00

CHEROKEE (XJ)

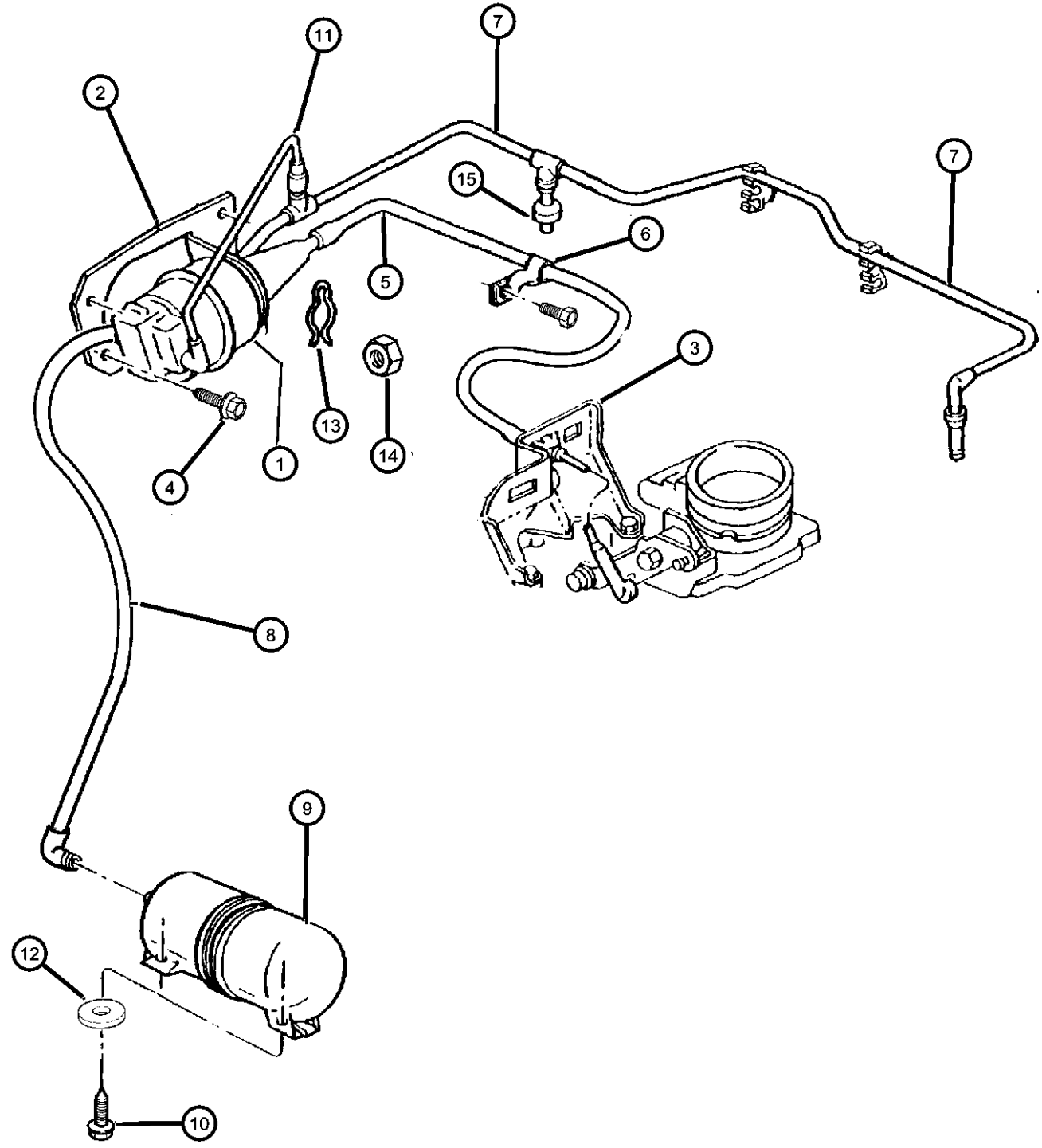
SERIES LINE
 L = LOWLINE B = JEEP - 2WD (RHD)
 U = JEEP - 4WD (RHD)
 T = LHD - (2WD)
 J = JEEP - - LHD (4WD)

BODY
 72 = 2DR (101.4 WB)
 74 = 4 DR (101.4 WB)

ENGINE TRANSMISSION
 ENC = 2.5L 4 Cyl Turbo Diesel Engine
 EPE = Engine - 2.5L Power Tech I-4 Cyl.
 ERH = 4.0L Power Tech I-6 Engine
 ENO = Engines - ALL 4/5 CYL Turbo Diesel
 ERO = Engines - All 4.0L 6 Cyl Gas
 EPO = ENGINES - ALL 2.5L 4 CYL GAS
 DCB = Transmission - 4-Speed Manual,T3340
 DDQ = 5-Speed Manual Transmission
 DDX = 5-Speed HD Manual Transmission
 DGD = 3-Spd. Automatic 30RH Transmission
 DGK = 4-Spd. Automatic 42RE Transmission
 DGS = 4-Speed Automatic AW4 Transmission
 DGT = 4-Spd. Automatic 46RE Transmission
 DGW = TRANSMISSION - 4-SPD. AUTOMATIC,44RE
 DGX = 4-Speed Automatic Transmission
 DGY = No Description Available
 DGZ = Transmission- 4-Spd. Automatic,MT643
 DBB = ALL MANUAL TRANSMISSIONS
 DGO = TRANSMISSIONS - ALL AUTOMATIC

AR = use ase required - = Non illustrated part

**Speed Control
Figure 14-1010**



ITEM	PART NUMBER	QTY	LINE	SERIES	BODY	ENGINE	TRANS	TRIM	DESCRIPTION
------	-------------	-----	------	--------	------	--------	-------	------	-------------

NOTE: EP0=All 2.5L Gas Engines ER0=All 4.0L Engines

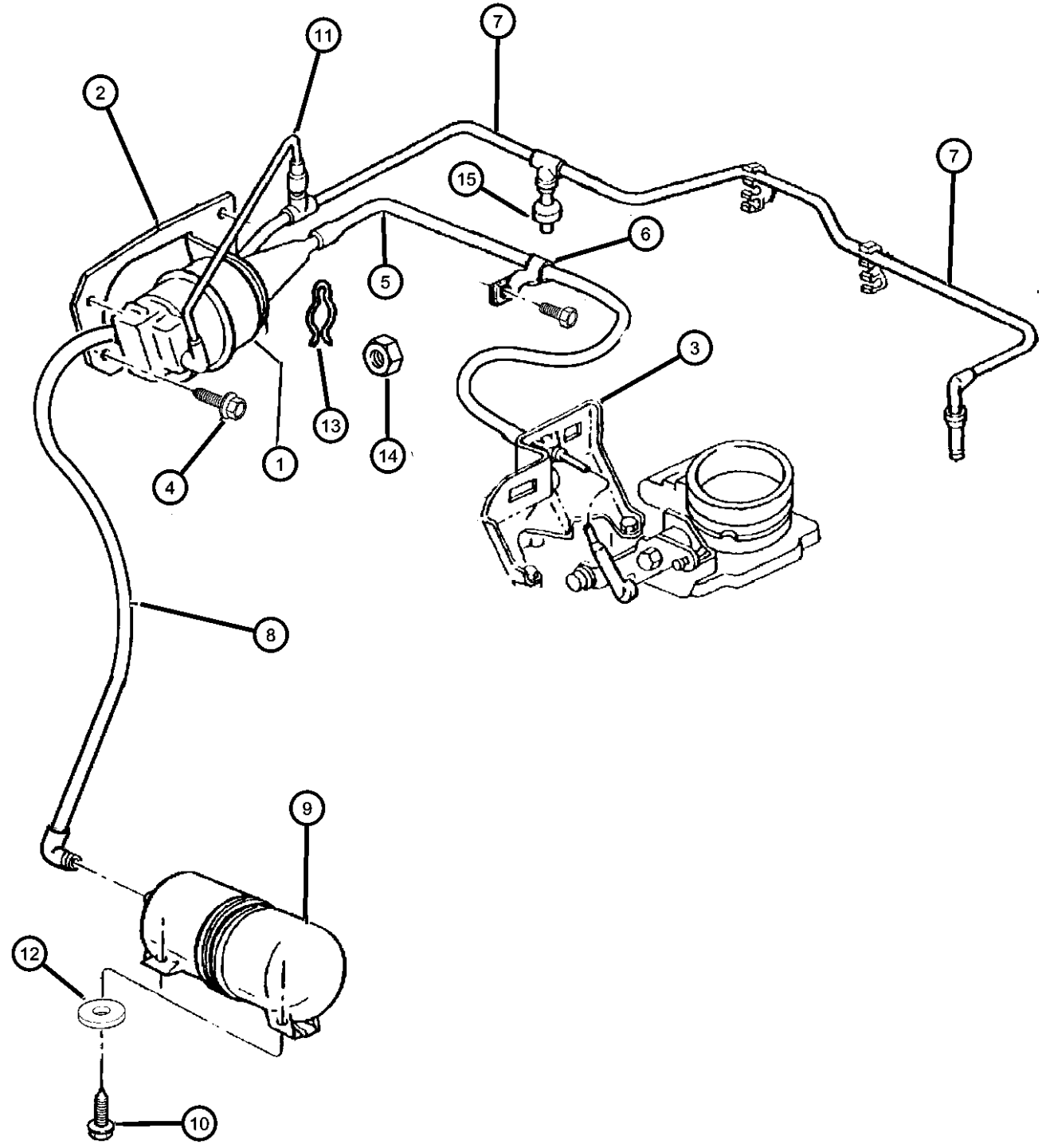
1	04669979	1	J, T			EPE, ERH			SERVO, Speed Control
		1	B, U			EPE, ERH			
2	53007958	1	J, T			EPE, ERH			BRACKET, Speed Control Servo
3									BRACKET, Accelerator Cable
	53007485	1				EP0			
	53007486	1				ER0			
4	06035322	3	J, T			EPE, ERH			SCREW
5	04854001	1	J, T			EPE, ERH			CABLE, Speed Control
6	53009375	1	J, T			EPE, ERH			CLIP, Cable
7	53009375	1							VACUUM HARNESS, Heater and A/C, (NOT REQUIRED) HOSE AND VALVE, Vacuum
8									
	55036909	1	J, T			EP0			
	55036912AB	1	J, T			ER0			
	55036917AB	1	U			EP0			
	55036918AB	1	B, U			ER0			
9	55035902	1				EP0, ER0			RESERVOIR, Speed Control Vacuum
10	34201895	2							SCREW, Hex Head Tapping, M6.3x1.81x16.00
11	52078082	1	J, T			EPE, ERH			HARNESS, Speed Control Vacuum
12	52078082	1							WASHER, (NOT SERVICED)
13									CLIP, Cable

CHEROKEE (XJ)

SERIES	LINE	BODY	ENGINE	TRANSMISSION
L = LOWLINE	B = JEEP - 2WD (RHD) U = JEEP - 4WD (RHD) T = LHD - (2WD) J = JEEP - - LHD (4WD)	72 = 2DR (101.4 WB) 74 = 4 DR (101.4 WB)	ENC = 2.5L 4 Cyl Turbo Diesel Engine EPE = Engine - 2.5L Power Tech I-4 Cyl. ERH = 4.0L Power Tech I-6 Engine ENO = Engines - ALL 4/5 CYL Turbo Diesel ERO = Engines - All 4.0L 6 Cyl Gas EP0 = ENGINES - ALL 2.5L 4 CYL GAS	DCB = Transmission - 4-Speed Manual, T3340 DDQ = 5-Speed Manual Transmission DDX = 5-Speed HD Manual Transmission DGD = 3-Spd. Automatic 30RH Transmission DGK = 4-Spd. Automatic 42RE Transmission DGS = 4-Speed Automatic AW4 Transmission DGT = 4-Spd. Automatic 46RE Transmission DGW = TRANSMISSION - 4-SPD. AUTOMATIC, 44RE DGX = 4-Speed Automatic Transmission DGY = No Description Available DGZ = Transmission- 4-Spd. Automatic, MT643 DBB = ALL MANUAL TRANSMISSIONS DGO = TRANSMISSIONS - ALL AUTOMATIC

AR = use ase required - = Non illustrated part

**Speed Control
Figure 14-1010**



ITEM	PART NUMBER	QTY	LINE	SERIES	BODY	ENGINE	TRANS	TRIM	DESCRIPTION
	06025867	1	J, T			EPE, ERH			
		1	B, U			EPE, ERH			
14	06502493	2	J, T			EPE, ERH			NUT, Hex Flange Serration, M6x1
		2	B, U			EPE, ERH			
15		2							VALVE, Check, 1/4, Serviced in Hose Assembly, (NOT SERVICED)
-16	04549209	1	B, U			EP0			VALVE PACKAGE, Check

CHEROKEE (XJ)

SERIES LINE
 L = LOWLINE B = JEEP - 2WD (RHD)
 U = JEEP - 4WD (RHD)
 T = LHD - (2WD)
 J = JEEP - - LHD (4WD)

BODY
 72 = 2DR (101.4 WB)
 74 = 4 DR (101.4 WB)

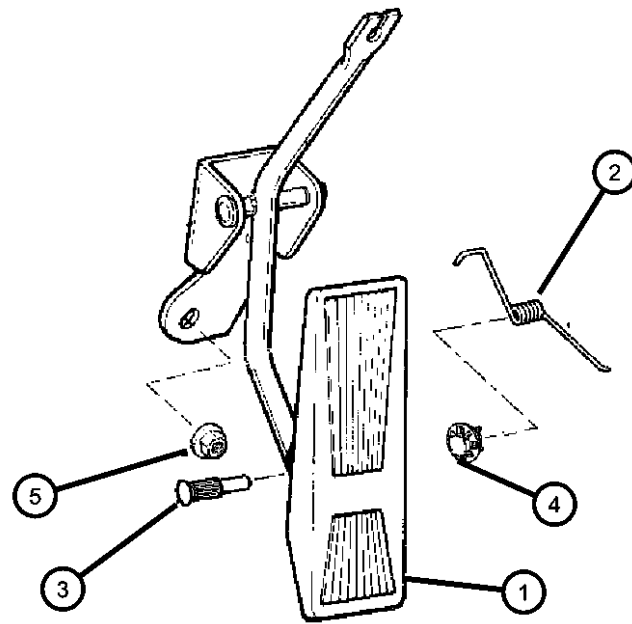
ENGINE TRANSMISSION
 ENC = 2.5L 4 Cyl Turbo Diesel Engine
 EPE = Engine - 2.5L Power Tech I-4 Cyl.
 ERH = 4.0L Power Tech I-6 Engine
 ENO = Engines - ALL 4/5 CYL Turbo Diesel
 ERO = Engines - All 4.0L 6 Cyl Gas
 EP0 = ENGINES - ALL 2.5L 4 CYL GAS
 DCB = Transmission - 4-Speed Manual, T3340
 DDQ = 5-Speed Manual Transmission
 DDX = 5-Speed HD Manual Transmission
 DGD = 3-Spd. Automatic 30RH Transmission
 DGK = 4-Spd. Automatic 42RE Transmission
 DGS = 4-Speed Automatic AW4 Transmission
 DGT = 4-Spd. Automatic 46RE Transmission
 DGW = TRANSMISSION - 4-SPD. AUTOMATIC, 44RE
 DGX = 4-Speed Automatic Transmission
 DGY = No Description Available
 DGZ = Transmission- 4-Spd. Automatic, MT643
 DBB = ALL MANUAL TRANSMISSIONS
 DGO = TRANSMISSIONS - ALL AUTOMATIC

AR = use ase required - = Non illustrated part

**Accelerator Pedal
Figure 14-1110**

ITEM	PART NUMBER	QTY	LINE	SERIES	BODY	ENGINE	TRANS	TRIM	DESCRIPTION
------	-------------	-----	------	--------	------	--------	-------	------	-------------

NOTE: EP0=All 2.5L Gas Engines EN0=2.5L Diesel Engines ER0=All 4.0L Engines



1									PEDAL, Accelerator
	52079117	1	B, U			EN0			No Components Available
	52079206	1	J, T			EP0, ER0			
	52079207	1	B, U			EP0, ER0			
	52079216	1	J, T			EN0			No Components Available
2									SPRING, Torsion
	53030874	1	J, T			EP0, ER0			
		1	B, U			EP0, ER0			
3									PIN, Accelerator Pedal Mtg.
	52079019	1	J, T			EP0, ER0			
		2	B, U			EP0, ER0			
4									BUSHING, Accelerator Pedal
	52078653	2	J, T			EP0, ER0			
		2	B, U			EP0, ER0			
5	11503745	2							NUT, Hex, M6x1

CHEROKEE (XJ)

SERIES	LINE	BODY	ENGINE	TRANSMISSION
L = LOWLINE	B = JEEP - 2WD (RHD) U = JEEP - 4WD (RHD) T = LHD - (2WD) J = JEEP - - LHD (4WD)	72 = 2DR (101.4 WB) 74 = 4 DR (101.4 WB)	ENC = 2.5L 4 Cyl Turbo Diesel Engine EPE = Engine - 2.5L Power Tech I-4 Cyl. ERH = 4.0L Power Tech I-6 Engine ENO = Engines - ALL 4/5 CYL Turbo Diesel ER0 = Engines - All 4.0L 6 Cyl Gas EP0 = ENGINES - ALL 2.5L 4 CYL GAS	DCB = Transmission - 4-Speed Manual,T3340 DDQ = 5-Speed Manual Transmission DDX = 5-Speed HD Manual Transmission DGD = 3-Spd. Automatic 30RH Transmission DGK = 4-Spd. Automatic 42RE Transmission DGS = 4-Speed Automatic AW4 Transmission DGT = 4-Spd. Automatic 46RE Transmission DGW = TRANSMISSION - 4-SPD. AUTOMATIC,44RE DGX = 4-Speed Automatic Transmission DGY = No Description Available DGZ = Transmission- 4-Spd. Automatic,MT643 DBB = ALL MANUAL TRANSMISSIONS DGO = TRANSMISSIONS - ALL AUTOMATIC

AR = use ase required - = Non illustrated part

1998 XJ

Group - 16

Propeller Shafts and U-Joints

Group - 16 Propeller Shafts and U-Joints

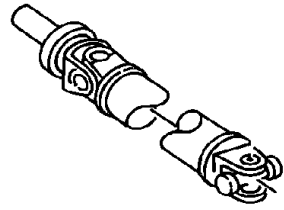
Group-Fig. No.

Illustration Title

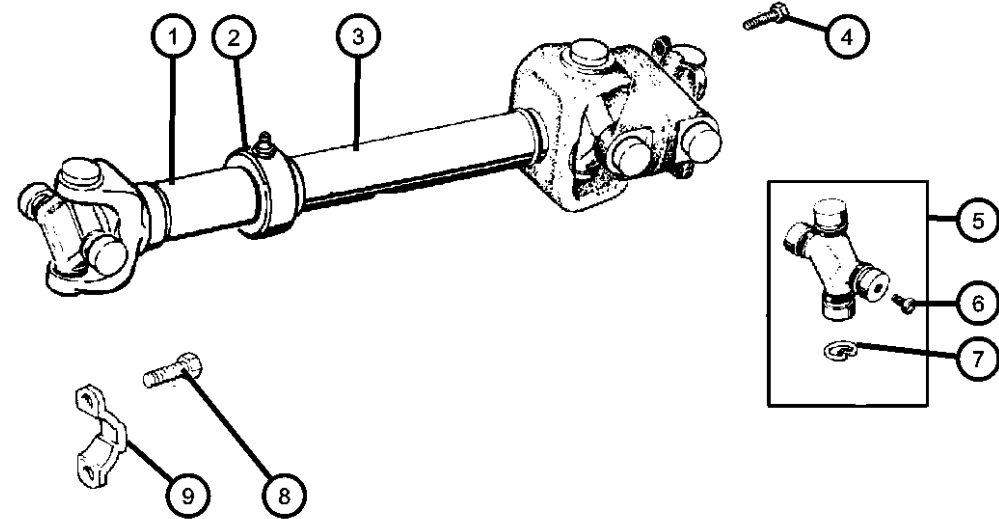
Propeller Shaft

Propeller Shaft, Front.....	Fig. 16 - 110
Propeller Shaft, Rear	Fig. 16 - 120

016-100 Propeller Shaft							
-----------------------------------	--	--	--	--	--	--	--



**Propeller Shaft,Front
Figure 16-110**



ITEM	PART NUMBER	QTY	LINE	SERIES	BODY	ENGINE	TRANS	TRIM	DESCRIPTION
1	83501594	1	J, U			EN0			YOKE, Drive Shaft
		1	J, U			EP0			
		1	J, U			ER0	DG0		
		1	J, U			ER0	DBB		
2	83501595	1	J, U			EN0			SEAL, Drive Shaft Yoke
		1	J, U			EP0			
		1	J, U			ER0	DG0		
		1	J, U			ER0	DBB		
3	52098208	1	J, U			EN0			SHAFT, Front Drive
	53005541	1	J, U			EP0			
	53005542	1	J, U			ER0	DG0		
	53005543	1	J, U			ER0	DBB		
4	06034966	4	J, U						BOLT, .312-24x1.170, Drive Shaft to Transfer Case Yoke, Mounting U JOINT
5	04882793	3	J, U			EN0			As Required

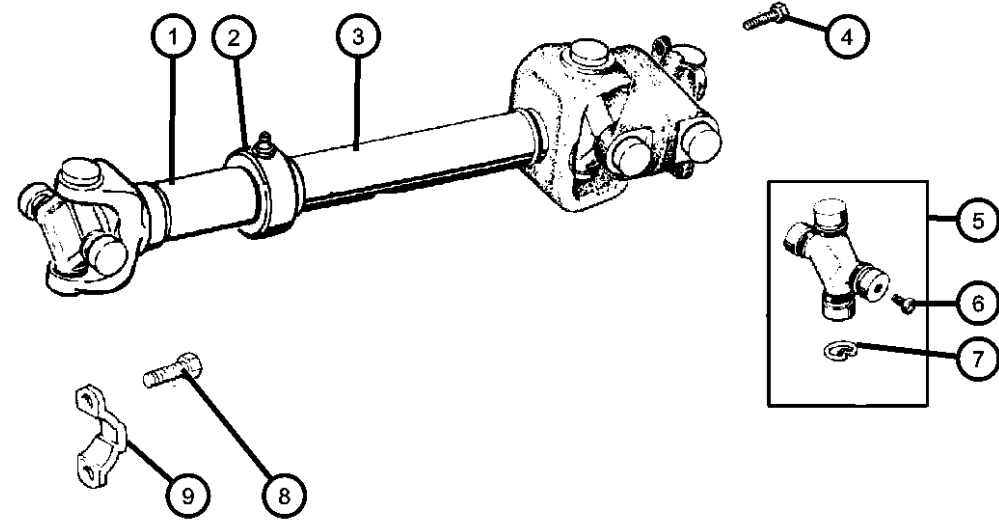
CHEROKEE (XJ)

SERIES	LINE	BODY	ENGINE	TRANSMISSION
L = LOWLINE	B = JEEP - 2WD (RHD) U = JEEP - 4WD (RHD) T = LHD - (2WD) J = JEEP - - LHD (4WD)	72 = 2DR (101.4 WB) 74 = 4 DR (101.4 WB)	ENC = 2.5L 4 Cyl Turbo Diesel Engine EPE = Engine - 2.5L Power Tech I-4 Cyl. ERH = 4.0L Power Tech I-6 Engine ENO = Engines - ALL 4/5 CYL Turbo Diesel ERO = Engines - All 4.0L 6 Cyl Gas EPO = ENGINES - ALL 2.5L 4 CYL GAS	DCB = Transmission - 4-Speed Manual,T3340 DDQ = 5-Speed Manual Transmission DDX = 5-Speed HD Manual Transmission DGD = 3-Spd. Automatic 30RH Transmission DGK = 4-Spd. Automatic 42RE Transmission DGS = 4-Speed Automatic AW4 Transmission DGT = 4-Spd. Automatic 46RE Transmission DGW = TRANSMISSION - 4-SPD. AUTOMATIC,44RE DGX = 4-Speed Automatic Transmission DGY = No Description Available DGZ = Transmission- 4-Spd. Automatic,MT643 DBB = ALL MANUAL TRANSMISSIONS DG0 = TRANSMISSIONS - ALL AUTOMATIC

AR = use ase required - = Non illustrated part

1998 XJ

**Propeller Shaft,Front
Figure 16-110**



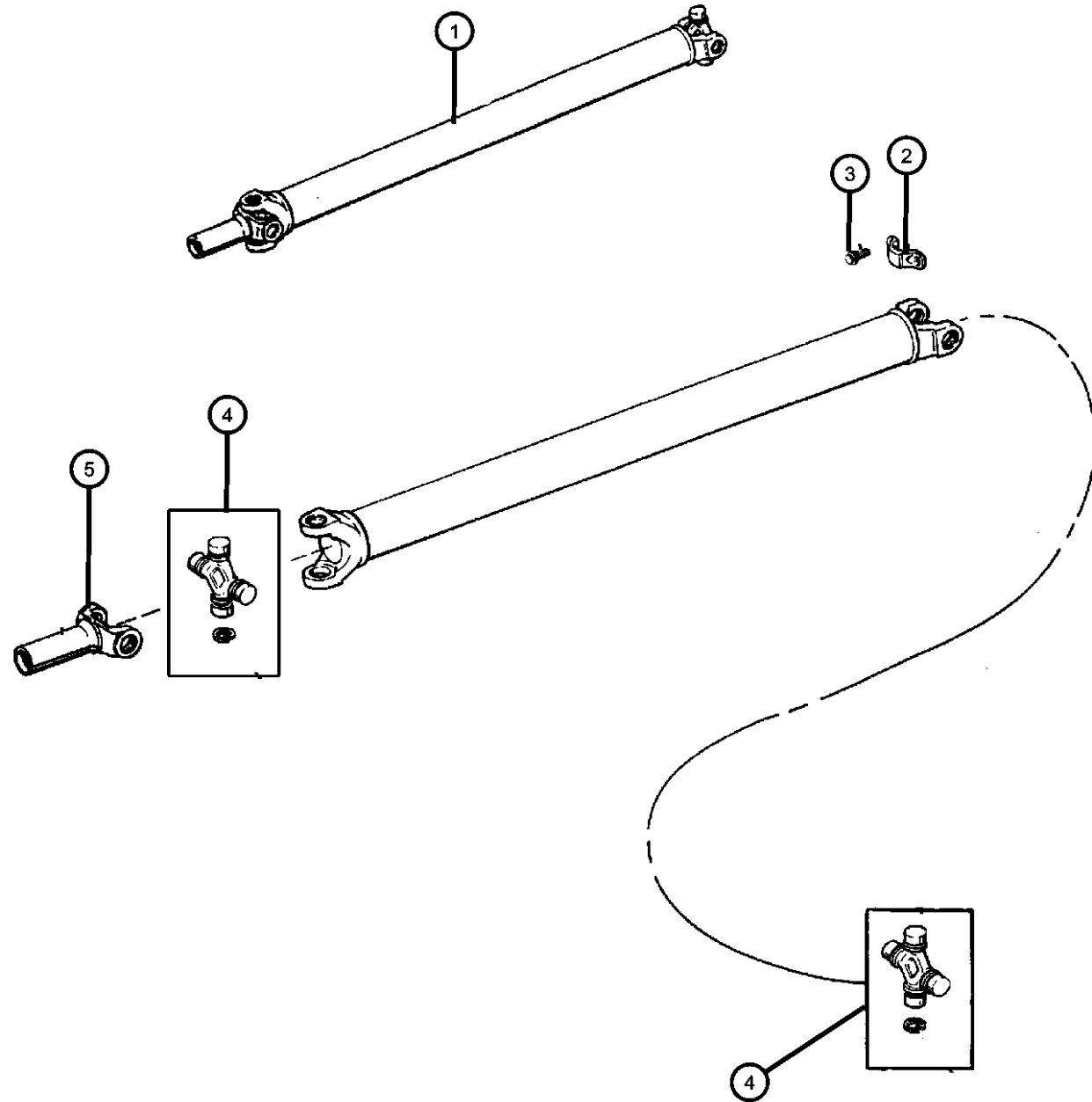
ITEM	PART NUMBER	QTY	LINE	SERIES	BODY	ENGINE	TRANS	TRIM	DESCRIPTION
		1	J, U			EP0			As Required
		1	J, U			ER0	DG0		As Required
		1	J, U			ER0	DBB		As Required
6	83507064	1	J, T						FITTING PACKAGE, Grease, As Required
7	J3207886	4	J, U			EN0			RING, U Joint
		4	J, U			EP0			
		4	J, U			ER0	DG0		
		4	J, U			ER0	DBB		
8	J4006928	4							BOLT, Drive Shaft to Front Axle Yoke, Mounting
9	J3240553	2	J, U						STRAP, Prop Shaft, Drive Shaft to Front Axle Yoke, Mounting

CHEROKEE (XJ)

SERIES	LINE	BODY	ENGINE	TRANSMISSION
L = LOWLINE	B = JEEP - 2WD (RHD) U = JEEP - 4WD (RHD) T = LHD - (2WD) J = JEEP - - LHD (4WD)	72 = 2DR (101.4 WB) 74 = 4 DR (101.4 WB)	ENC = 2.5L 4 Cyl Turbo Diesel Engine EPE = Engine - 2.5L Power Tech I-4 Cyl. ERH = 4.0L Power Tech I-6 Engine ENO = Engines - ALL 4/5 CYL Turbo Diesel ERO = Engines - All 4.0L 6 Cyl Gas EP0 = ENGINES - ALL 2.5L 4 CYL GAS	DCB = Transmission - 4-Speed Manual,T3340 DDQ = 5-Speed Manual Transmission DDX = 5-Speed HD Manual Transmission DGD = 3-Spd. Automatic 30RH Transmission DGK = 4-Spd. Automatic 42RE Transmission DGS = 4-Speed Automatic AW4 Transmission DGT = 4-Spd. Automatic 46RE Transmission DGW = TRANSMISSION - 4-SPD. AUTOMATIC,44RE DGX = 4-Speed Automatic Transmission DGY = No Description Available DGZ = Transmission- 4-Spd. Automatic,MT643 DBB = ALL MANUAL TRANSMISSIONS DG0 = TRANSMISSIONS - ALL AUTOMATIC

AR = use ase required - = Non illustrated part

Propeller Shaft,Rear
Figure 16-120



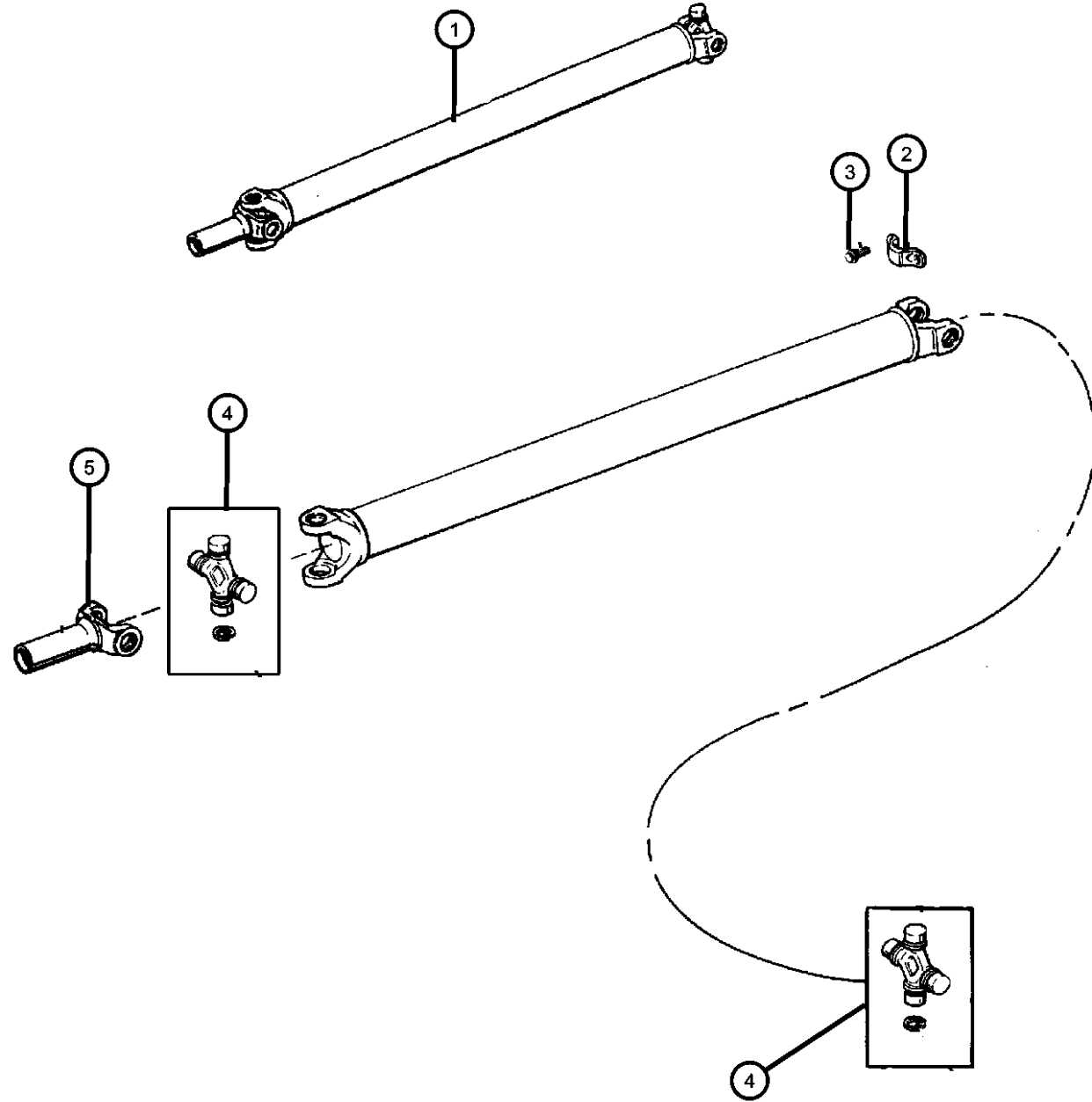
ITEM	PART NUMBER	QTY	LINE	SERIES	BODY	ENGINE	TRANS	TRIM	DESCRIPTION
Note: Sales Codes; DBB= Transmissions - All Manual DG0 = Transmissions - All Automatic DHN =Command-Trac Part Time 4WD System DRA= Axle - Rear, Corporate 8.25 DRJ= Axle - Rear, Dana M35/194MM RBI DRM= Axle - Rear, Dana 35C/194MM EN0=Engines - All 4/5 Cylinder Turbo Diesel EP0=Engines -All 2.5L 4 Cylinder Gas ER0=Engines - All 4.0L 6 Cylinder Gas									
1	52098731	1	J, U			ER0	DG0		SHAFT, Drive [DRJ,DRM]
	52098732	1	J, U			ER0	DBB		[DRA]
	52098744	1	J, U			EP0			[DRA]
	52098814	1	J, U			ER0	DG0		[DRA]
	52098851	1	J, U			ER0	DBB		[DRJ]
	52099054	1	B, T			EP0	DG0		[DRJ]
	52099054AB	1	B, T			EP0	DG0		[DRA]
	52099056	1	B, T			ER0	DG0		[DRA]
	52099057	1	B, T			EP0	DBB		[DRA]
	52099064	1	B, T			ER0	DG0		[DRJ,DRM]
	52099422	1	J, U			EN0	DBB		[DRJ,DRM,DHN]
2	J3240553	2	J, U						STRAP, Prop Shaft
3	J4006928	4	J, U						BOLT
4	04746936	1	J, U			ER0	DBB		U JOINT [DRJ], Front

CHEROKEE (XJ)

SERIES	LINE	BODY	ENGINE	TRANSMISSION
L = LOWLINE	B = JEEP - 2WD (RHD) U = JEEP - 4WD (RHD) T = LHD - (2WD) J = JEEP - - LHD (4WD)	72 = 2DR (101.4 WB) 74 = 4 DR (101.4 WB)	ENC = 2.5L 4 Cyl Turbo Diesel Engine EPE = Engine - 2.5L Power Tech I-4 Cyl. ERH = 4.0L Power Tech I-6 Engine ENO = Engines - ALL 4/5 CYL Turbo Diesel ER0 = Engines - All 4.0L 6 Cyl Gas EP0 = ENGINES - ALL 2.5L 4 CYL GAS	DCB = Transmission - 4-Speed Manual,T3340 DDQ = 5-Speed Manual Transmission DDX = 5-Speed HD Manual Transmission DGD = 3-Spd. Automatic 30RH Transmission DGK = 4-Spd. Automatic 42RE Transmission DGS = 4-Speed Automatic AW4 Transmission DGT = 4-Spd. Automatic 46RE Transmission DGW = TRANSMISSION - 4-SPD. AUTOMATIC,44RE DGX = 4-Speed Automatic Transmission DGY = No Description Available DGZ = Transmission- 4-Spd. Automatic,MT643 DBB = ALL MANUAL TRANSMISSIONS DG0 = TRANSMISSIONS - ALL AUTOMATIC

AR = use ase required - = Non illustrated part

Propeller Shaft,Rear
Figure 16-120



ITEM	PART NUMBER	QTY	LINE	SERIES	BODY	ENGINE	TRANS	TRIM	DESCRIPTION
		1	J, U			EN0	DBB		[DRJ,DRM,DHN], Front
	04882793	1	J, U			ER0	DBB		[DRJ], Rear
		1	J, U			EP0			[DRA], Front or Rear
		1	J, U			ER0	DG0		[DRJ,DRM], Front or Rear
		1	J, U			EN0	DBB		[DRJ,DRM,DHN], Rear
		1	B, T			EP0	DG0		[DRJ], Front or Rear
		1	B, T			EP0	DG0		[DRA], Front or Rear
		1	J, U			ER0	DBB		[DRA], Front or Rear
		1	J, U			ER0	DG0		[DRA], Front or Rear
		1	B, T			ER0	DG0		[DRA], Front or Rear
		1	B, T			EP0	DBB		[DRA], Front or Rear
		1	B, T			ER0	DG0		[DRJ,DRM], Front or Rear
5									YOKE, Drive Shaft
	04882714	1	J, U			ER0	DBB		[DRJ]
		1	J, U			EP0			[DRA]
		1	J, U			ER0	DG0		[DRJ,DRM]
		1	J, U			ER0	DBB		[DRA]
		1	J, U			ER0	DG0		[DRA]
	05012918AA	1	J, U			EN0	DBB		[DRJ,DRM,DHN]
	53001986	1	B, T			EP0	DG0		[DRJ]
		1	B, T			EP0	DG0		[DRA]
	53001987	1	B, T			EP0	DBB		[DRA]

CHEROKEE (XJ)

SERIES LINE
L = LOWLINE B = JEEP - 2WD (RHD)
U = JEEP - 4WD (RHD)
T = LHD - (2WD)
J = JEEP - - LHD (4WD)

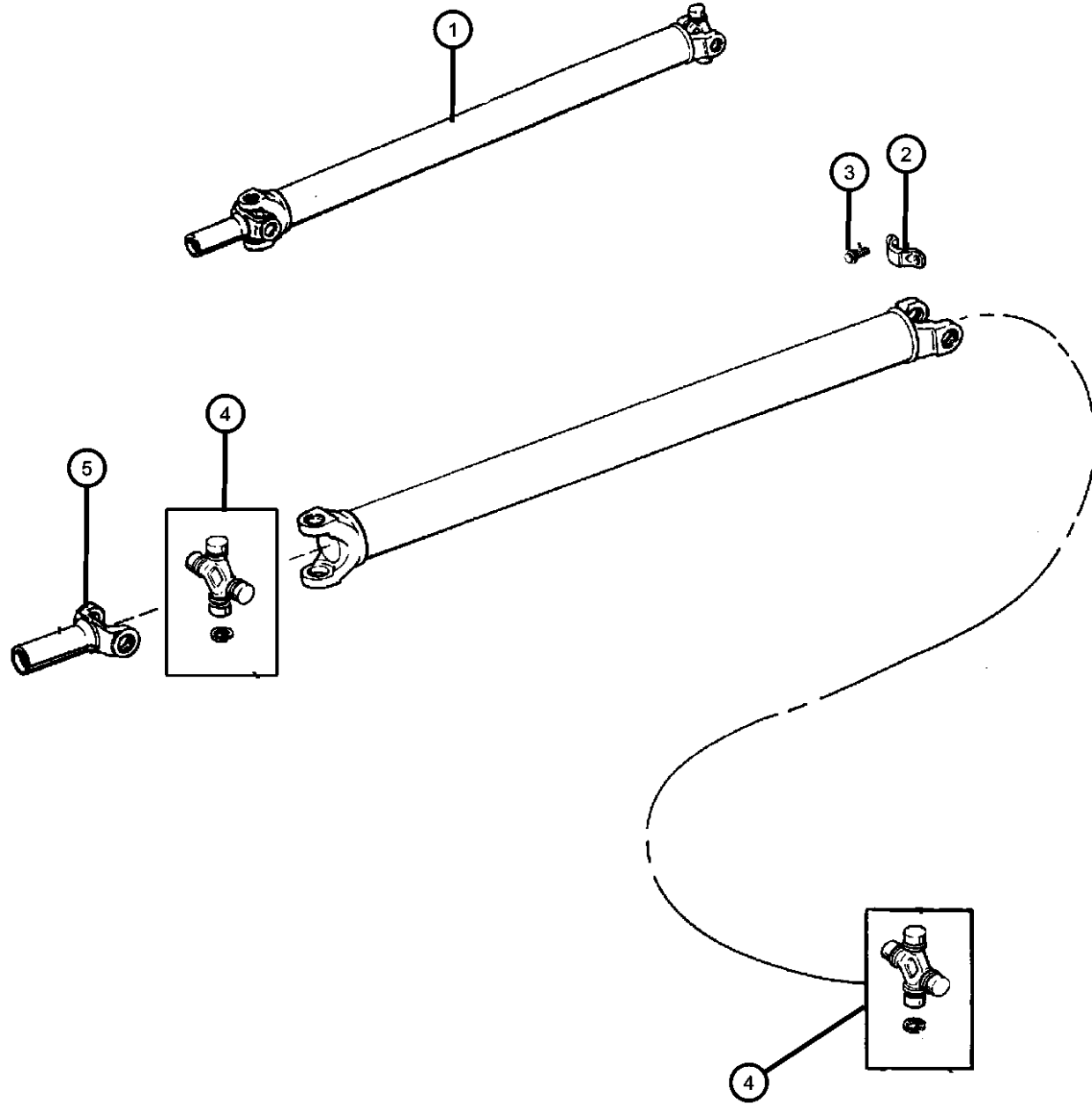
BODY
72 = 2DR (101.4 WB)
74 = 4 DR (101.4 WB)

ENGINE TRANSMISSION
ENC = 2.5L 4 Cyl Turbo Diesel Engine
EPE = Engine - 2.5L Power Tech I-4 Cyl.
ERH = 4.0L Power Tech I-6 Engine
ENO = Engines - ALL 4/5 CYL Turbo Diesel
ERO = Engines - All 4.0L 6 Cyl Gas
EP0 = ENGINES - ALL 2.5L 4 CYL GAS
DCB = Transmission - 4-Speed Manual,T3340
DDQ = 5-Speed Manual Transmission
DDX = 5-Speed HD Manual Transmission
DGD = 3-Spd. Automatic 30RH Transmission
DGK = 4-Spd. Automatic 42RE Transmission
DGS = 4-Speed Automatic AW4 Transmission
DGT = 4-Spd. Automatic 46RE Transmission
DGW = TRANSMISSION - 4-SPD. AUTOMATIC,44RE
DGX = 4-Speed Automatic Transmission
DGY = No Description Available
DGZ = Transmission- 4-Spd. Automatic,MT643
DBB = ALL MANUAL TRANSMISSIONS
DG0 = TRANSMISSIONS - ALL AUTOMATIC

AR = use ase required - = Non illustrated part

Propeller Shaft,Rear
Figure 16-120

ITEM	PART NUMBER	QTY	LINE	SERIES	BODY	ENGINE	TRANS	TRIM	DESCRIPTION
	83503593	1	B, T			ER0	DG0		[DRJ,DRM]
		1	B, T			ER0	DG0		[DRA]



CHEROKEE (XJ)

SERIES

L = LOWLINE
 B = JEEP - 2WD (RHD)
 U = JEEP - 4WD (RHD)
 T = LHD - (2WD)
 J = JEEP - - LHD (4WD)

LINE

BODY

72 = 2DR (101.4 WB)
 74 = 4 DR (101.4 WB)

ENGINE

ENC = 2.5L 4 Cyl Turbo Diesel Engine
 EPE = Engine - 2.5L Power Tech I-4 Cyl.
 ERH = 4.0L Power Tech I-6 Engine
 ENO = Engines - ALL 4/5 CYL Turbo Diesel
 ERO = Engines - All 4.0L 6 Cyl Gas
 EPO = ENGINES - ALL 2.5L 4 CYL GAS

TRANSMISSION

DCB = Transmission - 4-Speed Manual,T3340
 DDQ = 5-Speed Manual Transmission
 DDX = 5-Speed HD Manual Transmission
 DGD = 3-Spd. Automatic 30RH Transmission
 DGK = 4-Spd. Automatic 42RE Transmission
 DGS = 4-Speed Automatic AW4 Transmission
 DGT = 4-Spd. Automatic 46RE Transmission
 DGW = TRANSMISSION - 4-SPD. AUTOMATIC,44RE
 DGX = 4-Speed Automatic Transmission
 DGY = No Description Available
 DGZ = Transmission- 4-Spd. Automatic,MT643
 DBB = ALL MANUAL TRANSMISSIONS
 DG0 = TRANSMISSIONS - ALL AUTOMATIC

AR = use ase required - = Non illustrated part

Group - 17

Rear Suspension

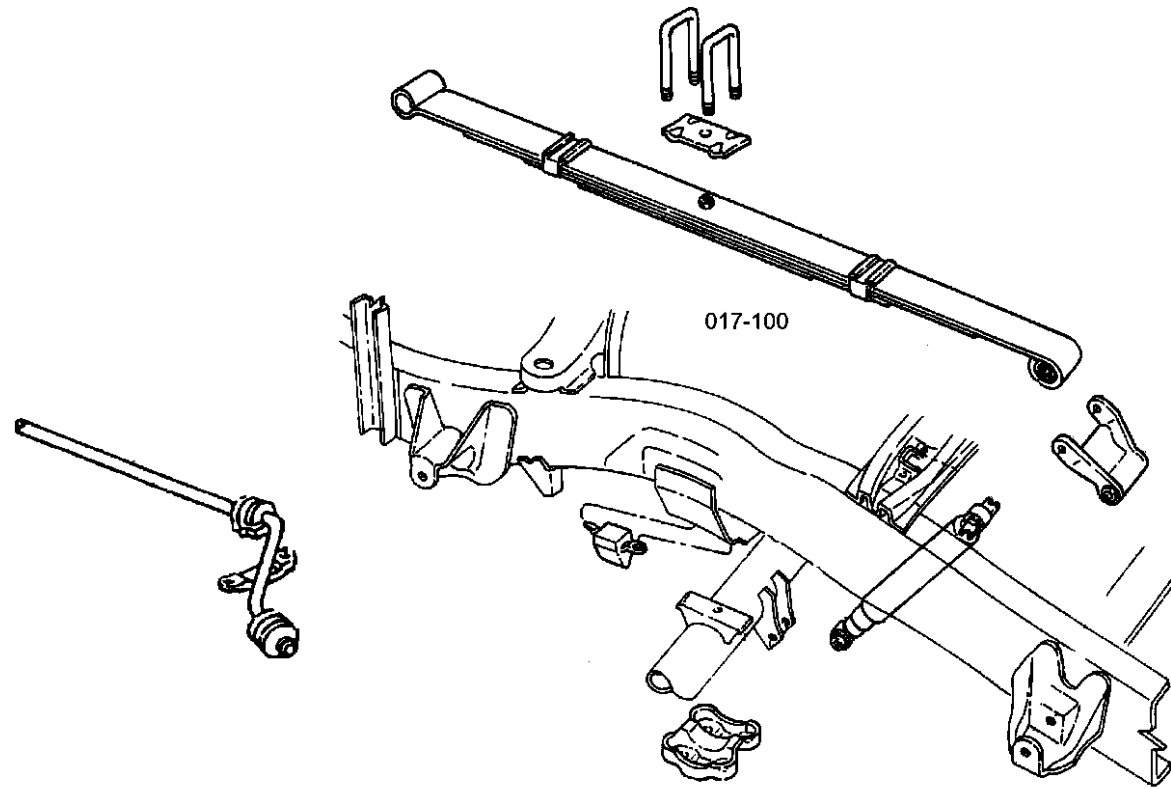
Group - 17 Rear Suspension

Group-Fig. No.

Illustration Title

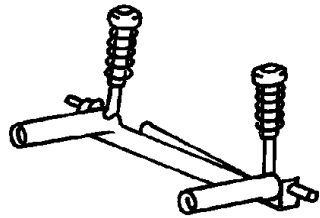
Rear Suspension

Suspension, Rear and Shock Absorber Fig. 17 - 110

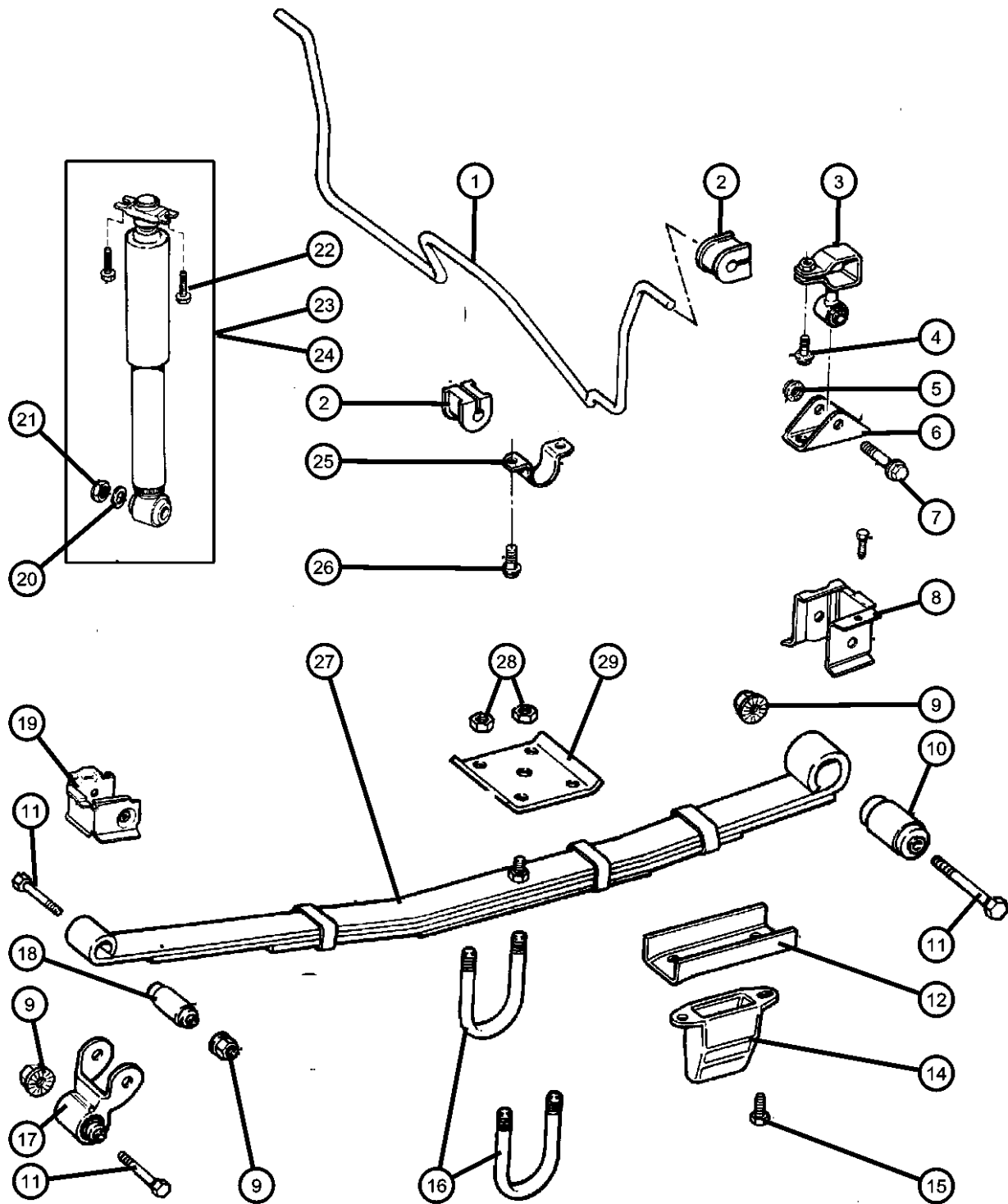


017-100

Rear Suspension



**Suspension, Rear and Shock Absorber
Figure 17-110**



ITEM	PART NUMBER	QTY	LINE	SERIES	BODY	ENGINE	TRANS	TRIM	DESCRIPTION
------	-------------	-----	------	--------	------	--------	-------	------	-------------

Note:Sales Codes:
 [DRA]=Axle - Rear,Corportate 8.25
 [DRJ]=Axle - Rear,Dana M35/194MM
 [DRM]=Axle - Rear,Dana 35C /194MM
 [SDA]=Suspension - Normal Duty
 [SDB]=Suspension - Heavy Duty
 [SDU]=Shocks - High Pressure Gas Charged
 Check VIN Number for The Type of 'Z' Code Springs are on The Truck

1	52001135	1							BAR, Rear Sway, Without [SDU]
2	52001145	4							CUSHION, Sway Eliminator, Without [SDU]
3	52001094	2							LINK, Sway Eliminator, Without [SDU]
4	34201686	2							BOLT, Hex Flange Head, M12x1.18x35, Without [SDU]
5	06502697	2							NUT, Hex Flange Lock, M12x1.75, Without [SDU]
6	52006450	2							BRACKET, Stabilizer Bar, Without [SDU]
7	11505098	2							BOLT, Hex Flange Head, M12x1.75x60, Without [SDU]
8									BRACKET, Spring
	55001100	1							Right Front
	55001101	1							Left Front
9									NUT, Hex Flange Lock, M14z2
	11502814	4							Rear Spring Rear, Mounting
		2							Rear Spring Front, Mounting
10	52000503	1							BUSHING, Spring, Rear Spring Front

CHEROKEE (XJ)

SERIES LINE
 L = LOWLINE B = JEEP - 2WD (RHD)
 U = JEEP - 4WD (RHD)
 T = LHD - (2WD)
 J = JEEP - - LHD (4WD)

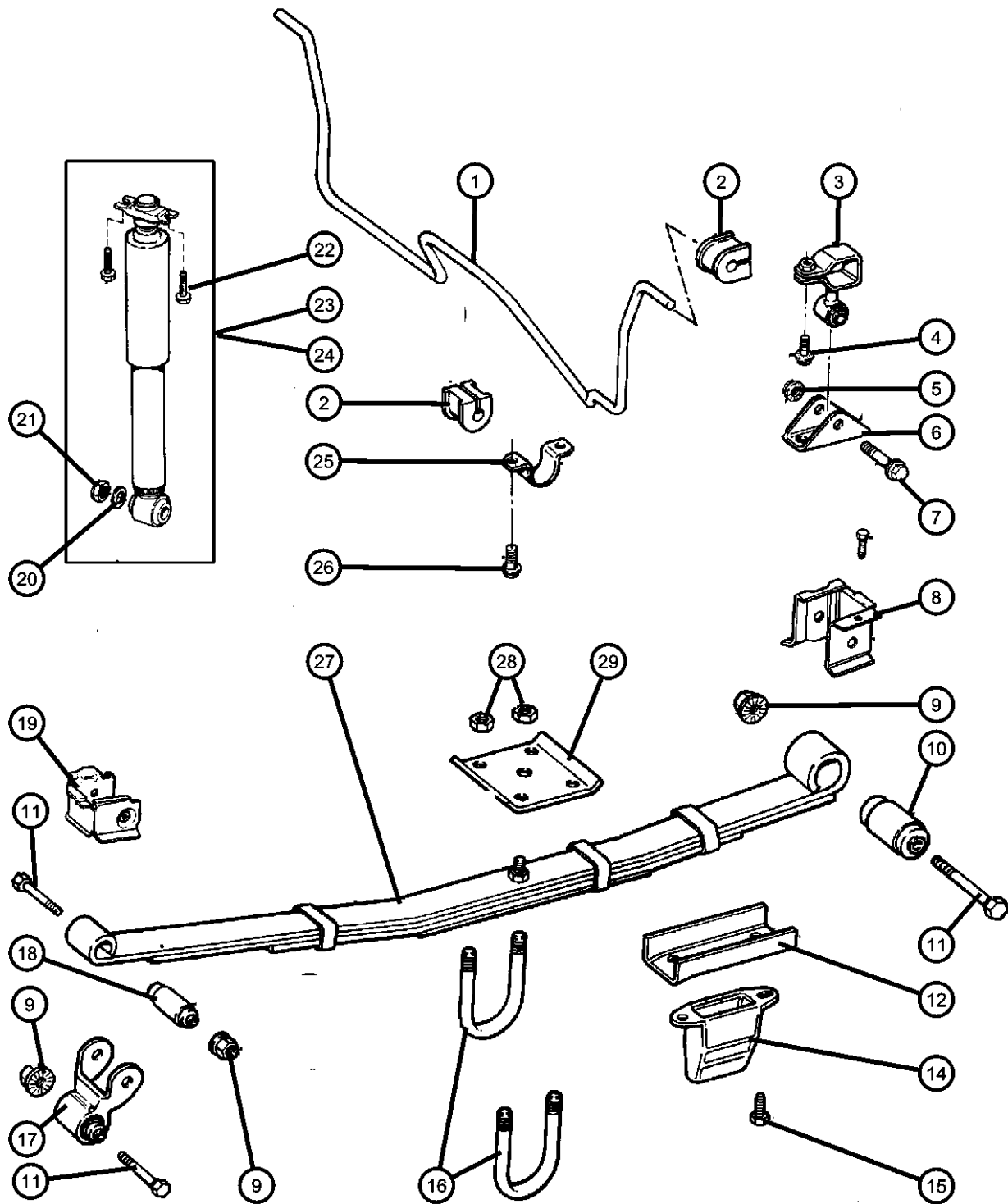
BODY
 72 = 2DR (101.4 WB)
 74 = 4 DR (101.4 WB)

ENGINE TRANSMISSION
 ENC = 2.5L 4 Cyl Turbo Diesel Engine DCB = Transmission - 4-Speed Manual,T3340
 EPE = Engine - 2.5L Power Tech I-4 Cyl. DDQ = 5-Speed Manual Transmission
 ERH = 4.0L Power Tech I-6 Engine DDX = 5-Speed HD Manual Transmission
 ENO = Engines - ALL 4/5 CYL Turbo Diesel DGD = 3-Spd. Automatic 30RH Transmission
 ERO = Engines - All 4.0L 6 Cyl Gas DGK = 4-Spd. Automatic 42RE Transmission
 EPO = ENGINES - ALL 2.5L 4 CYL GAS DGS = 4-Speed Automatic AW4 Transmission
 DGT = 4-Spd. Automatic 46RE Transmission
 DGW = TRANSMISSION - 4-SPD. AUTOMATIC,44RE
 DGX = 4-Speed Automatic Transmission
 DGY = No Description Available
 DGZ = Transmission- 4-Spd. Automatic,MT643
 DBB = ALL MANUAL TRANSMISSIONS
 DGO = TRANSMISSIONS - ALL AUTOMATIC

AR = use ase required - = Non illustrated part

1998 XJ

**Suspension, Rear and Shock Absorber
Figure 17-110**



ITEM	PART NUMBER	QTY	LINE	SERIES	BODY	ENGINE	TRANS	TRIM	DESCRIPTION
22	J4001933	4							SCREW, Hex Flange Head, .312-x18x.875, Shock, Mounting
23									SHOCK ABSORBER, Suspension [SDA]
	52087777	2							Rancho Shock
	0SGR5129								Mopar V-Line Alternative Part
	0SG23197								[SDB]
	52087948	2							Mopar V-Line Alternative Part
	G0089896								Rancho Shock
	0SGR5129								Mopar V-Line Alternative Part
24	04886509AA	2	J, U						SHOCK ABSORBER PACKAGE, Suspension, [SDU]
	0SGR5129								Rancho Shock
	0SG23197								Mopar V-Line Alternative Part
25	52087865	2							RETAINER, Stabilizer Bar GrommetMounting
26	06505574AA	4				EP0			SCREW AND WASHER, Hex Head, M10x1.5x40, Sway Bar Retainer, Mounting
27									SPRING, Rear Leaf
	52000050AB	1							[ZFS,ZUS]
	52000051AB	1							[ZFT,ZUT]
	52000544AB	1							[ZGS,ZVS]
	52000545AB	1							[ZGT,ZVT]
	52000706AB	1							[ZFU,ZUU]

CHEROKEE (XJ)

SERIES LINE
 L = LOWLINE B = JEEP - 2WD (RHD)
 U = JEEP - 4WD (RHD)
 T = LHD - (2WD)
 J = JEEP - - LHD (4WD)

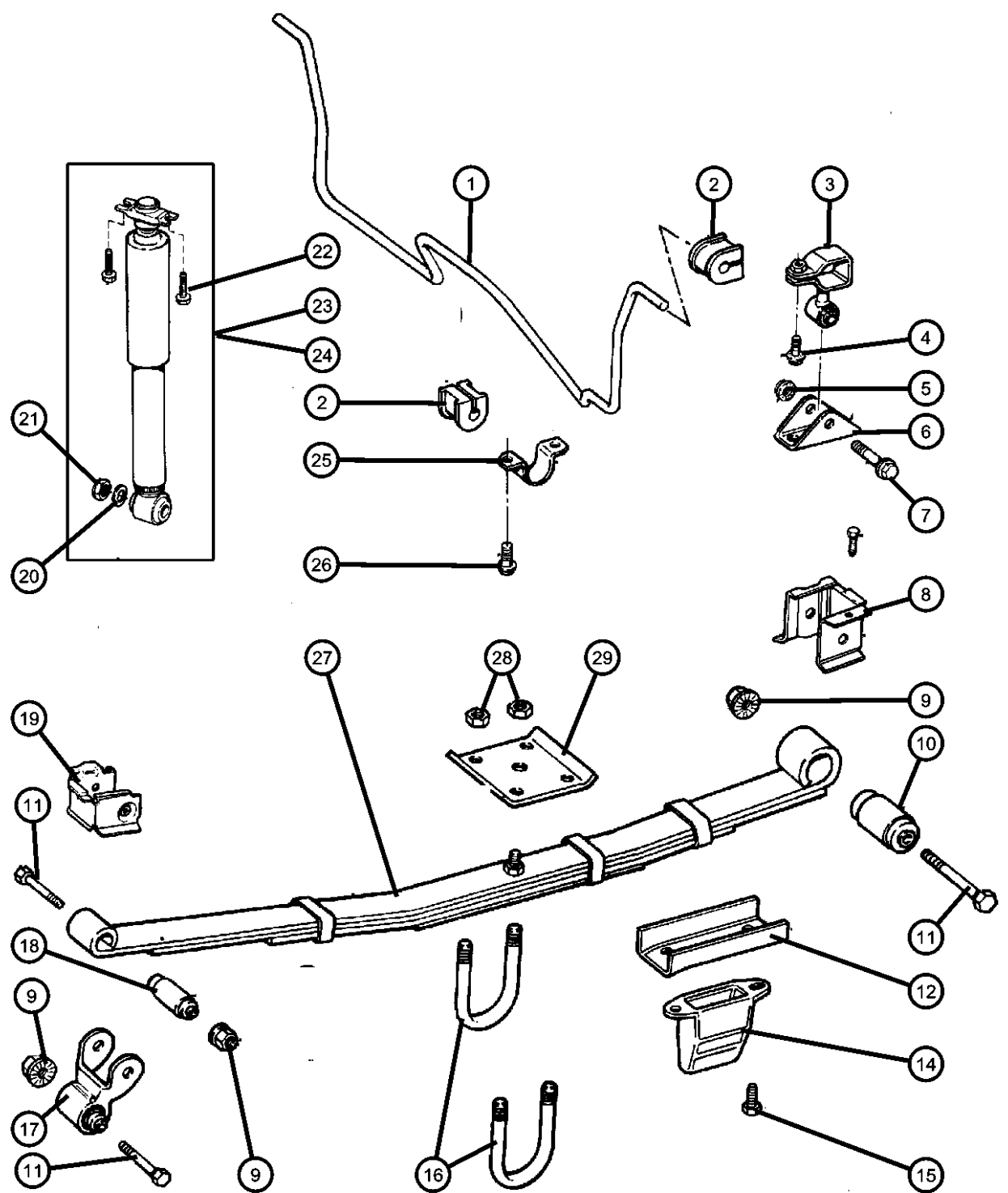
BODY
 72 = 2DR (101.4 WB)
 74 = 4 DR (101.4 WB)

ENGINE TRANSMISSION
 ENC = 2.5L 4 Cyl Turbo Diesel Engine
 EPE = Engine - 2.5L Power Tech I-4 Cyl.
 ERH = 4.0L Power Tech I-6 Engine
 ENO = Engines - ALL 4/5 CYL Turbo Diesel
 ERO = Engines - All 4.0L 6 Cyl Gas
 EP0 = ENGINES - ALL 2.5L 4 CYL GAS
 DCB = Transmission - 4-Speed Manual,T3340
 DDQ = 5-Speed Manual Transmission
 DDX = 5-Speed HD Manual Transmission
 DGD = 3-Spd. Automatic 30RH Transmission
 DGK = 4-Spd. Automatic 42RE Transmission
 DGS = 4-Speed Automatic AW4 Transmission
 DGT = 4-Spd. Automatic 46RE Transmission
 DGW = TRANSMISSION - 4-SPD. AUTOMATIC,44RE
 DGX = 4-Speed Automatic Transmission
 DGY = No Description Available
 DGZ = Transmission- 4-Spd. Automatic,MT643
 DBB = ALL MANUAL TRANSMISSIONS
 DG0 = TRANSMISSIONS - ALL AUTOMATIC

AR = use ase required - = Non illustrated part

**Suspension, Rear and Shock Absorber
Figure 17-110**

ITEM	PART NUMBER	QTY	LINE	SERIES	BODY	ENGINE	TRANS	TRIM	DESCRIPTION
------	-------------	-----	------	--------	------	--------	-------	------	-------------



	52000707AB	1							[ZGU,ZVU]
	52002390AB	1							[ZGV,ZVV]
	52002392AB	1							[ZGW,ZVW]
28	06502697	8							NUT, Hex Flange Lock, M12x1.75, U-Bolt, Mounting
29	52006449	2							PLATE, U BoltMounting

CHEROKEE (XJ)		BODY	ENGINE	TRANSMISSION
SERIES	LINE			
L = LOWLINE	B = JEEP - 2WD (RHD) U = JEEP - 4WD (RHD) T = LHD - (2WD) J = JEEP - - LHD (4WD)	72 = 2DR (101.4 WB) 74 = 4 DR (101.4 WB)	ENC = 2.5L 4 Cyl Turbo Diesel Engine EPE = Engine - 2.5L Power Tech I-4 Cyl. ERH = 4.0L Power Tech I-6 Engine ENO = Engines - ALL 4/5 CYL Turbo Diesel ERO = Engines - All 4.0L 6 Cyl Gas EPO = ENGINES - ALL 2.5L 4 CYL GAS	DCB = Transmission - 4-Speed Manual,T3340 DDQ = 5-Speed Manual Transmission DDX = 5-Speed HD Manual Transmission DGD = 3-Spd. Automatic 30RH Transmission DGK = 4-Spd. Automatic 42RE Transmission DGS = 4-Speed Automatic AW4 Transmission DGT = 4-Spd. Automatic 46RE Transmission DGW = TRANSMISSION - 4-SPD. AUTOMATIC,44RE DGX = 4-Speed Automatic Transmission DGY = No Description Available DGZ = Transmission- 4-Spd. Automatic,MT643 DBB = ALL MANUAL TRANSMISSIONS DGO = TRANSMISSIONS - ALL AUTOMATIC

AR = use ase required - = Non illustrated part

Group - 19

Steering

Group - 19 Steering

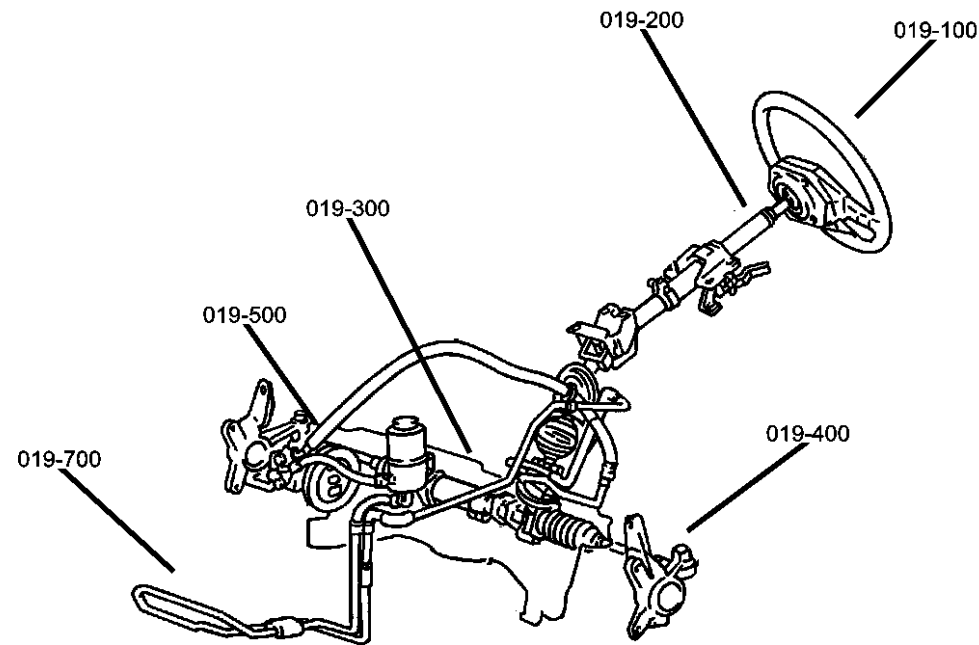


Illustration Title

Group-Fig. No.

Steering Wheel

Wheel Steering Fig. 19 - 110

Steering Column

Column, Steering, Upper and Lower Fig. 19 - 210

Steering Gear

Gear, Steering Fig. 19 - 320

Steering Linkage

Linkage and Damper Fig. 19 - 410

Power Steering Pump

Pump and Mounting, with 2.5L Gas Engine Fig. 19 - 530

Pump and Mounting, with 4.0L Engine Fig. 19 - 535

Pump and Mounting, with 2.5L Diesel Engine Fig. 19 - 545

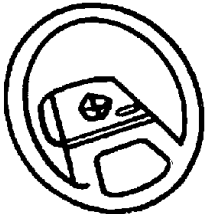
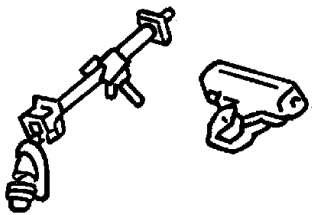
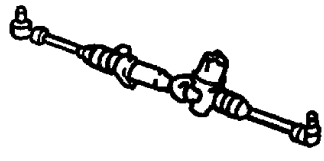
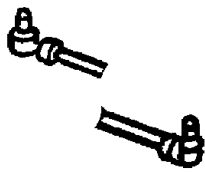
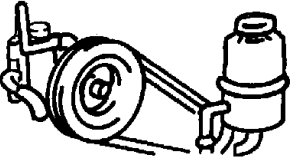
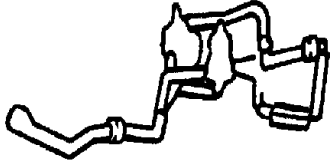
Power Steering Hoses

Hose and Reservoir, with 2.5L Gas Engine, Left Hand Drive Fig. 19 - 720

Hoses and Reservoir, with 2.5L Gas Engine, Right Hand Drive Fig. 19 - 730

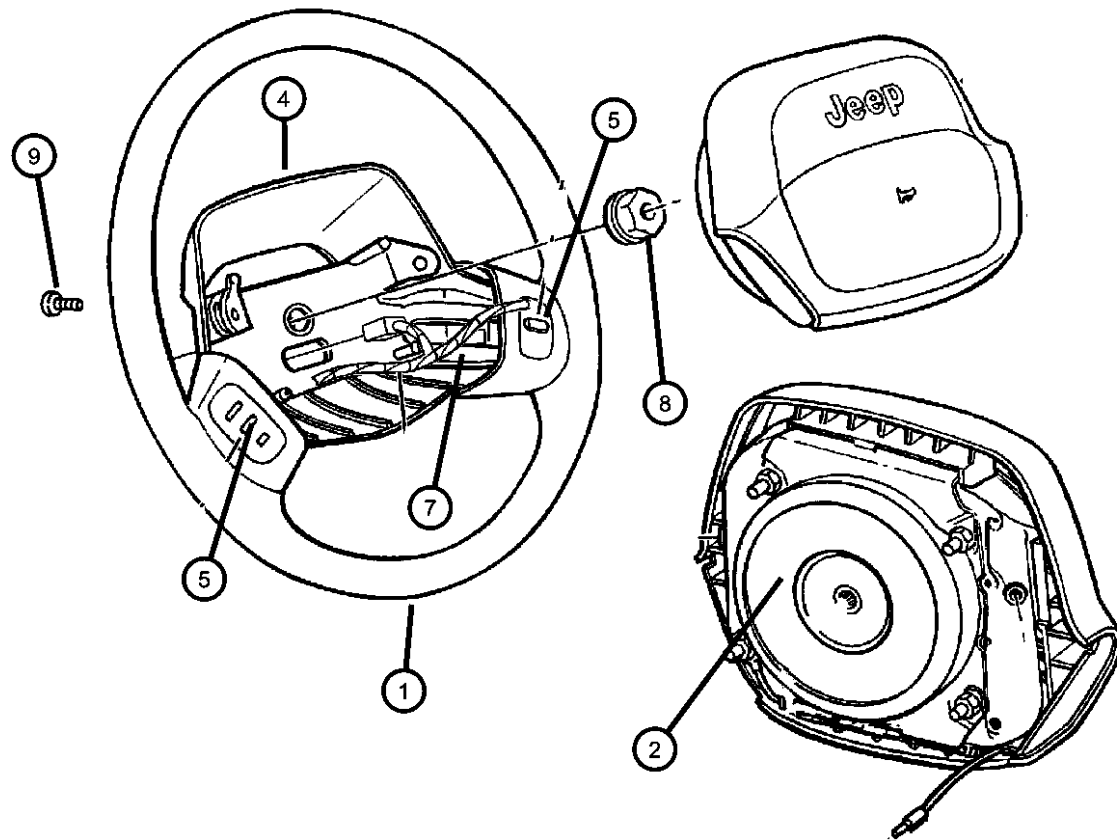
Hoses and Reservoir, with 4.0L Engine Fig. 19 - 740

Hoses and Reservoir, with 2.5L Diesel Engine Fig. 19 - 750

<p>019-100 Steering Wheel</p> 	<p>019-200 Steering Column</p> 	<p>019-300 Steering Gear</p> 	<p>019-400 Steering Linkage</p> 
<p>019-500 Power Steering Pump</p> 	<p>019-700 Power Steering Hoses</p> 		

Wheel Steering
Figure 19-110

ITEM	PART NUMBER	QTY	LINE	SERIES	BODY	ENGINE	TRANS	TRIM	DESCRIPTION
Note: If Horn Switch is defective, you must replace the AIR BAG COVER WITH SWITCH and not the AIR BAG MODULE ASSEMBLY itself.									
1									WHEEL, Steering
	5DR10TAZ	1							With Leather Wrap -Speed Control
	5DR11TAZ	1							Luxury Steering Wheel
	5DY22LAZAB	1							With Leather Wrap and Speed Control
2									AIR BAG, Driver
	5GC50LAZAB	1							without Speed Control (NHM)
	5GC51LAZAB	1							
-3	04798182	1							COVER, Air Bag Module, Includes Horn Switch-With & Without (NHM)
4	04798182	1							COVER, Steering Wheel, (NOT REQUIRED)
5									SWITCH, Speed Control
	56007530AC	1							Right
	56007531AC	1							without Speed Control (NHM), Left
-6									BEZEL, Steering Wheel
	5GK16DX9AA	1							Without (-NHM), Right
	5GK17DX9AA	1							Without (-NHM), Left
7	56009437	1							WIRING, Steering Wheel
8	56009437	1							NUT, Lock, (NOT SERVICED)
9	56009437	1							SCREW, Hex Flange Head, M6x1x23, (NOT SERVICED)



CHEROKEE (XJ)

SERIES

L = LOWLINE

LINE

B = JEEP - 2WD (RHD)
U = JEEP - 4WD (RHD)
T = LHD - (2WD)
J = JEEP - - LHD (4WD)

BODY

72 = 2DR (101.4 WB)
74 = 4 DR (101.4 WB)

ENGINE

ENC = 2.5L 4 Cyl Turbo Diesel Engine
EPE = Engine - 2.5L Power Tech I-4 Cyl.
ERH = 4.0L Power Tech I-6 Engine
ENO = Engines - ALL 4/5 CYL Turbo Diesel
ERO = Engines - All 4.0L 6 Cyl Gas
EPO = ENGINES - ALL 2.5L 4 CYL GAS

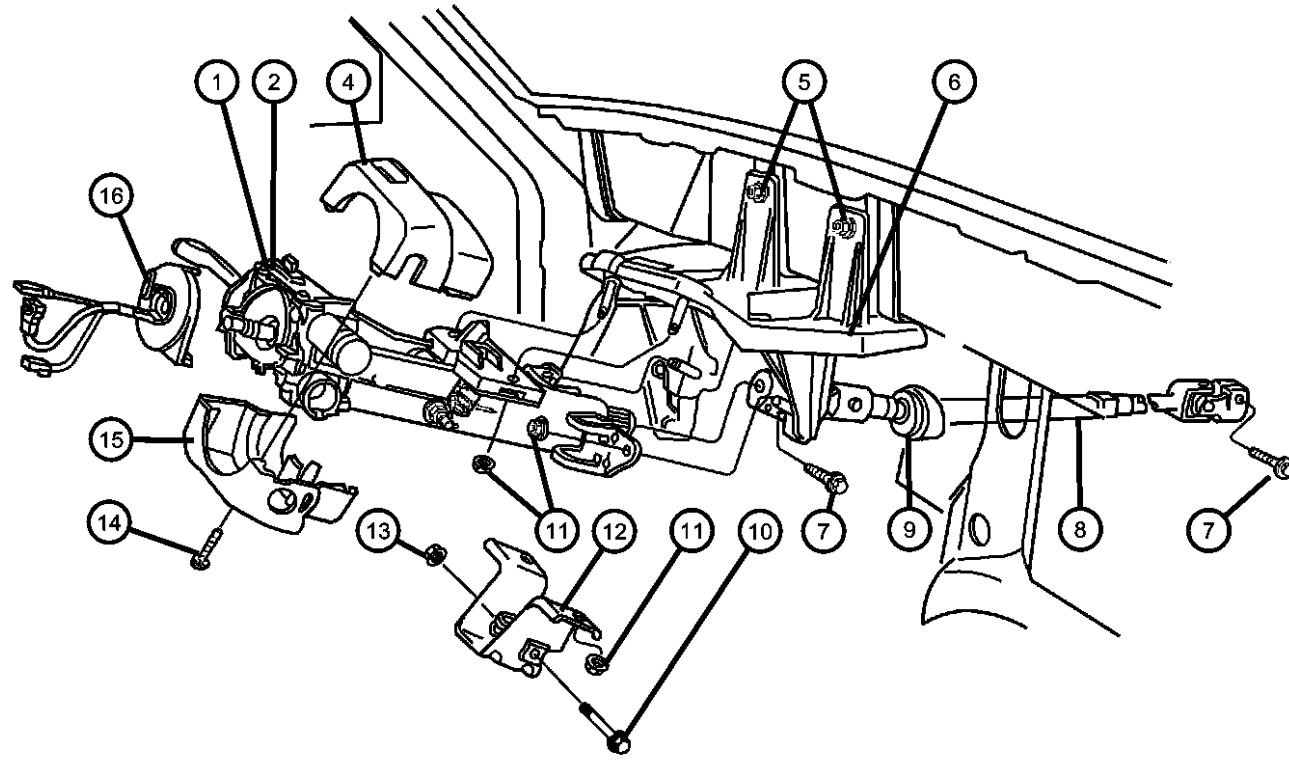
TRANSMISSION

DCB = Transmission - 4-Speed Manual, T3340
DDQ = 5-Speed Manual Transmission
DDX = 5-Speed HD Manual Transmission
DGD = 3-Spd. Automatic 30RH Transmission
DGK = 4-Spd. Automatic 42RE Transmission
DGS = 4-Speed Automatic AW4 Transmission
DGT = 4-Spd. Automatic 46RE Transmission
DGW = TRANSMISSION - 4-SPD. AUTOMATIC, 44RE
DGX = 4-Speed Automatic Transmission
DGY = No Description Available
DGZ = Transmission- 4-Spd. Automatic, MT643
DBB = ALL MANUAL TRANSMISSIONS
DGO = TRANSMISSIONS - ALL AUTOMATIC

AR = use ase required - = Non illustrated part

1998 XJ

**Column,Steering,Upper and Lower
Figure 19-210**



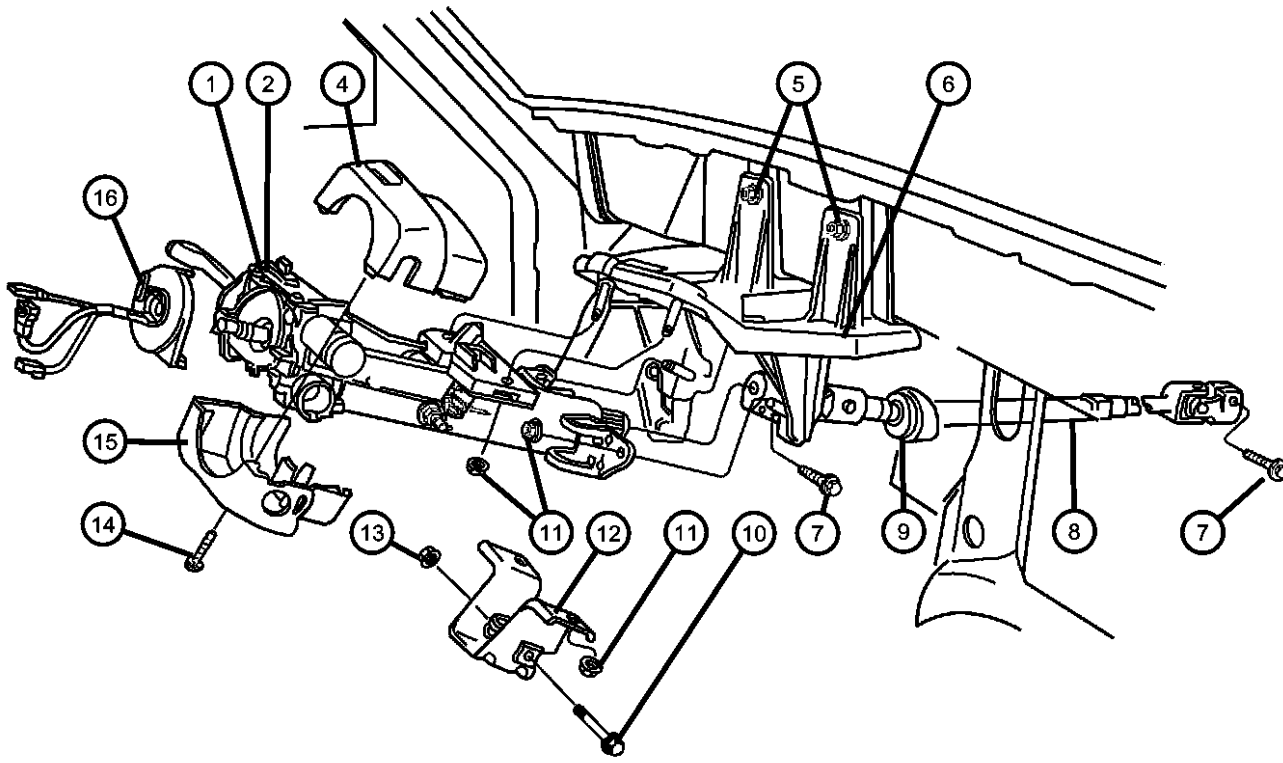
ITEM	PART NUMBER	QTY	LINE	SERIES	BODY	ENGINE	TRANS	TRIM	DESCRIPTION
1									COLUMN, Steering, Non tilt
	04897818AB	1					DG0		
	04897820AB	1					DBB		
2									COLUMN, Steering, Tilt
	04897809AB	1					DG0		without [ABB]
	04897810AB	1					DG0		with [ABB]
	04897811AB	1					DBB		without [ABB]
	04897812AB	1					DBB		with [ABB]
-3									SHIELD, Steering Column
	52079332	1					DG0		
		1					DBB		
4									SHROUD, Steering Column
	5FV71LAZAC	1					DBB		with [SUA], Upper
		1					DG0		with [SUA], Upper
	5FV74LAZAC	1					DBB		without [SUA], Upper
		1					DG0		without [SUA], Upper
5	06501279	5							NUT, Hex Flange Lock, M8x1.25, Bracket to Body, Mounting
6									BRACKET, Steering Column

CHEROKEE (XJ)

SERIES	LINE	BODY	ENGINE	TRANSMISSION
L = LOWLINE	B = JEEP - 2WD (RHD) U = JEEP - 4WD (RHD) T = LHD - (2WD) J = JEEP - - LHD (4WD)	72 = 2DR (101.4 WB) 74 = 4 DR (101.4 WB)	ENC = 2.5L 4 Cyl Turbo Diesel Engine EPE = Engine - 2.5L Power Tech I-4 Cyl. ERH = 4.0L Power Tech I-6 Engine ENO = Engines - ALL 4/5 CYL Turbo Diesel ERO = Engines - All 4.0L 6 Cyl Gas EPO = ENGINES - ALL 2.5L 4 CYL GAS	DCB = Transmission - 4-Speed Manual,T3340 DDQ = 5-Speed Manual Transmission DDX = 5-Speed HD Manual Transmission DGD = 3-Spd. Automatic 30RH Transmission DGK = 4-Spd. Automatic 42RE Transmission DGS = 4-Speed Automatic AW4 Transmission DGT = 4-Spd. Automatic 46RE Transmission DGW = TRANSMISSION - 4-SPD. AUTOMATIC,44RE DGX = 4-Speed Automatic Transmission DGY = No Description Available DGZ = Transmission- 4-Spd. Automatic,MT643 DBB = ALL MANUAL TRANSMISSIONS DG0 = TRANSMISSIONS - ALL AUTOMATIC

AR = use ase required - = Non illustrated part

**Column,Steering,Upper and Lower
Figure 19-210**



ITEM	PART NUMBER	QTY	LINE	SERIES	BODY	ENGINE	TRANS	TRIM	DESCRIPTION
	52078853	1	J, T						
	52078930AB	1	B, U						
7	06503210	2							SCREW, Hex Flange Head, M10x1.5x35.
8	52079010AD	1							SHAFT, Intermediate
9	55314949AB	1							SEAL, Steering Column Shaft, Purchase Intermediate Shaft Assembly
10	06504698	1							SCREW AND WASHER
11	06501279	5							NUT, Hex Flange Lock, M8x1.25, Column to Bracket, Mounting
12	55314986AC	1							BRACKET, Steering ColumnUpper
13	06503182	1							NUT AND WASHER, Hex Lock Nut-Coned Teeth Washer, M8 x 1.25
14	06035434	3							SCREW AND WASHER, Pan Head, Upper to Lower Shroud, Mounting
15									SHROUD, Steering Column
	5FV70LAZAC	1					DG0		without [SUA], Lower
		1					DG0		with [SUA], Lower
	5FV76LAZAC	1					DBB		without [SUA], Lower
		1					DBB		with [SUA], Lower
16									CLOCKSPRING
	56009070	1							without [NHM]
	56009071	1							with [NHM]

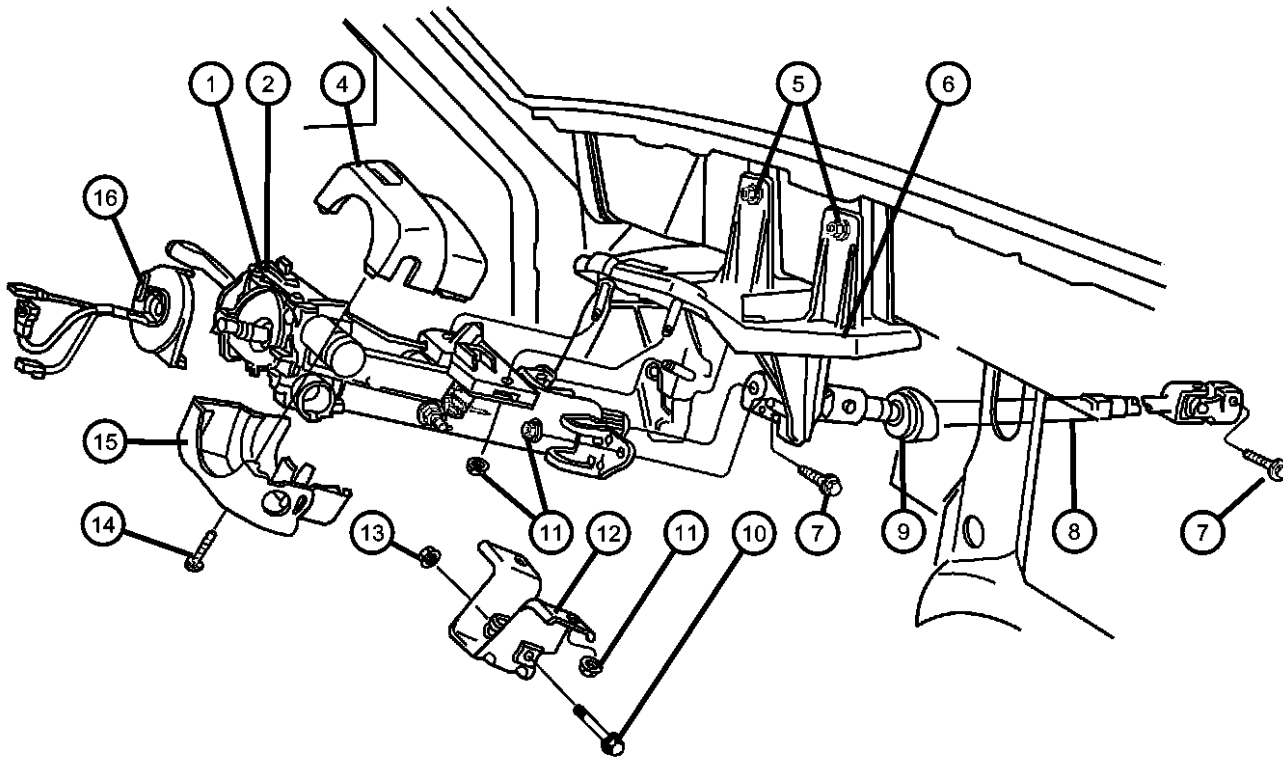
CHEROKEE (XJ)

SERIES	LINE	BODY	ENGINE	TRANSMISSION
L = LOWLINE	B = JEEP - 2WD (RHD) U = JEEP - 4WD (RHD) T = LHD - (2WD) J = JEEP - - LHD (4WD)	72 = 2DR (101.4 WB) 74 = 4 DR (101.4 WB)	ENC = 2.5L 4 Cyl Turbo Diesel Engine EPE = Engine - 2.5L Power Tech I-4 Cyl. ERH = 4.0L Power Tech I-6 Engine ENO = Engines - ALL 4/5 CYL Turbo Diesel ERO = Engines - All 4.0L 6 Cyl Gas EPO = ENGINES - ALL 2.5L 4 CYL GAS	DCB = Transmission - 4-Speed Manual,T3340 DDQ = 5-Speed Manual Transmission DDX = 5-Speed HD Manual Transmission DGD = 3-Spd. Automatic 30RH Transmission DGK = 4-Spd. Automatic 42RE Transmission DGS = 4-Speed Automatic AW4 Transmission DGT = 4-Spd. Automatic 46RE Transmission DGW = TRANSMISSION - 4-SPD. AUTOMATIC,44RE DGX = 4-Speed Automatic Transmission DGY = No Description Available DGZ = Transmission- 4-Spd. Automatic,MT643 DBB = ALL MANUAL TRANSMISSIONS DG0 = TRANSMISSIONS - ALL AUTOMATIC

AR = use ase required - = Non illustrated part

**Column,Steering,Upper and Lower
Figure 19-210**

ITEM	PART NUMBER	QTY	LINE	SERIES	BODY	ENGINE	TRANS	TRIM	DESCRIPTION
-17	55314965AB	1							TRIM RING, Ignition Key Cylinder
-18									BRACKET, Instrument Panel Wiring
	56009146	1	J, T						
	56009147	1	B, U						

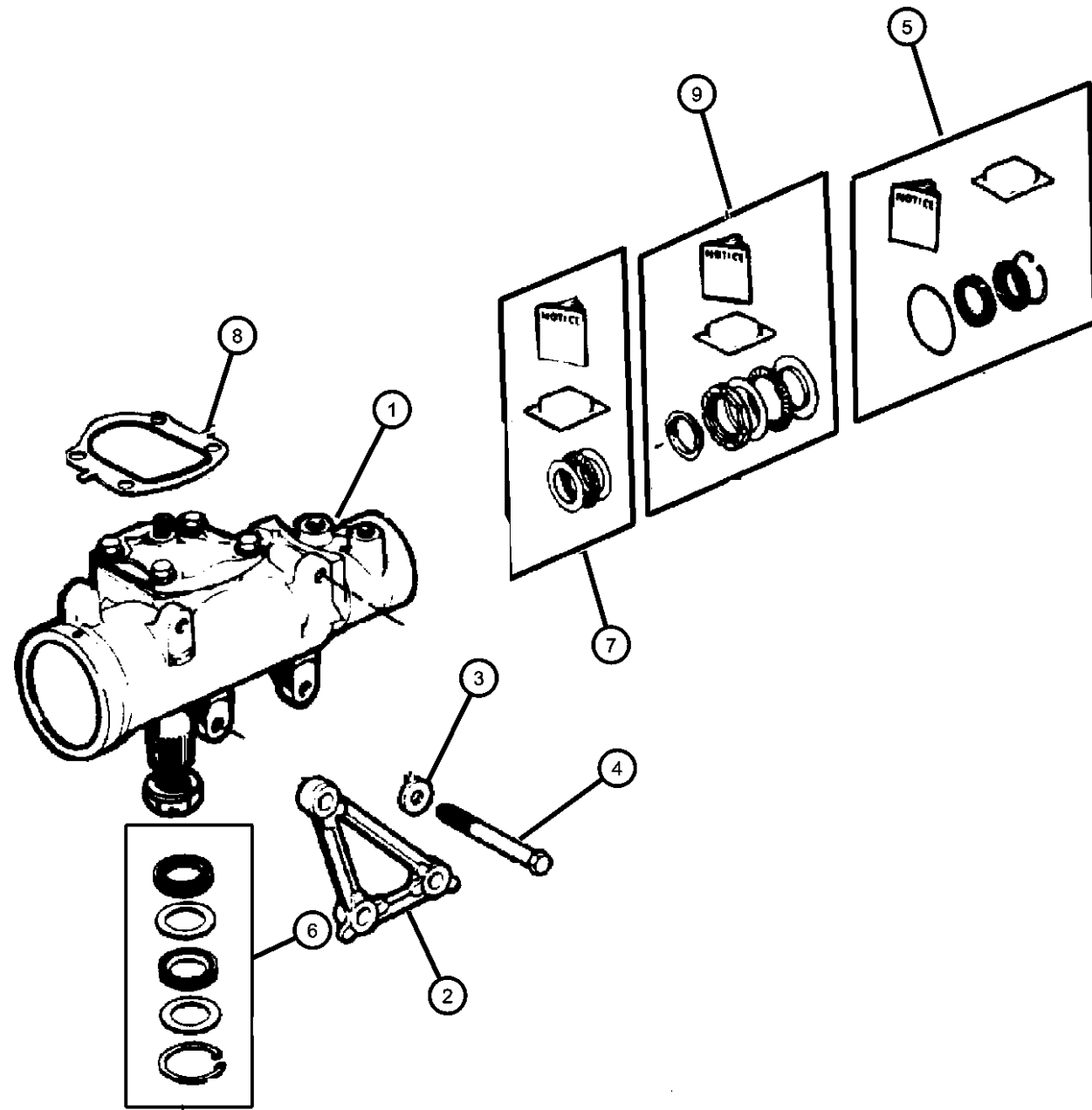


CHEROKEE (XJ)

SERIES	LINE	BODY	ENGINE	TRANSMISSION
L = LOWLINE	B = JEEP - 2WD (RHD) U = JEEP - 4WD (RHD) T = LHD - (2WD) J = JEEP - - LHD (4WD)	72 = 2DR (101.4 WB) 74 = 4 DR (101.4 WB)	ENC = 2.5L 4 Cyl Turbo Diesel Engine EPE = Engine - 2.5L Power Tech I-4 Cyl. ERH = 4.0L Power Tech I-6 Engine ENO = Engines - ALL 4/5 CYL Turbo Diesel ERO = Engines - All 4.0L 6 Cyl Gas EPO = ENGINES - ALL 2.5L 4 CYL GAS	DCB = Transmission - 4-Speed Manual,T3340 DDQ = 5-Speed Manual Transmission DDX = 5-Speed HD Manual Transmission DGD = 3-Spd. Automatic 30RH Transmission DGK = 4-Spd. Automatic 42RE Transmission DGS = 4-Speed Automatic AW4 Transmission DGT = 4-Spd. Automatic 46RE Transmission DGW = TRANSMISSION - 4-SPD. AUTOMATIC,44RE DGX = 4-Speed Automatic Transmission DGY = No Description Available DGZ = Transmission- 4-Spd. Automatic,MT643 DBB = ALL MANUAL TRANSMISSIONS DGO = TRANSMISSIONS - ALL AUTOMATIC

AR = use ase required - = Non illustrated part

Gear, Steering
Figure 19-320



ITEM	PART NUMBER	QTY	LINE	SERIES	BODY	ENGINE	TRANS	TRIM	DESCRIPTION
1	52088386AB	1	J, T						GEAR, Power Steering
	52088532	1	B, U						
2	52000090	1	J, T						ADAPTER, Steering Gear
	52006512	1	B, U						
3	J4003926	3							WASHER, Flat, .437x.875x.135
4	06035939AA	3							SCREW, Hex Head
5	03893557	1	J, T						SEAL KIT, Steering gear end plug
6	04470365	1	J, T						SEAL KIT, Steering gear pitman shaft
7	04897000AA	1	J, T						REPAIR KIT, Thrust Bearing, Steering Gear
		1	B, U						
8	03893558	1	J, T						SEAL, Steering Gear Cover
9	04886349AA	1	J, T						SEAL KIT, Steering gear adjuster plug

CHEROKEE (XJ)

SERIES LINE
 L = LOWLINE B = JEEP - 2WD (RHD)
 U = JEEP - 4WD (RHD)
 T = LHD - (2WD)
 J = JEEP - - LHD (4WD)

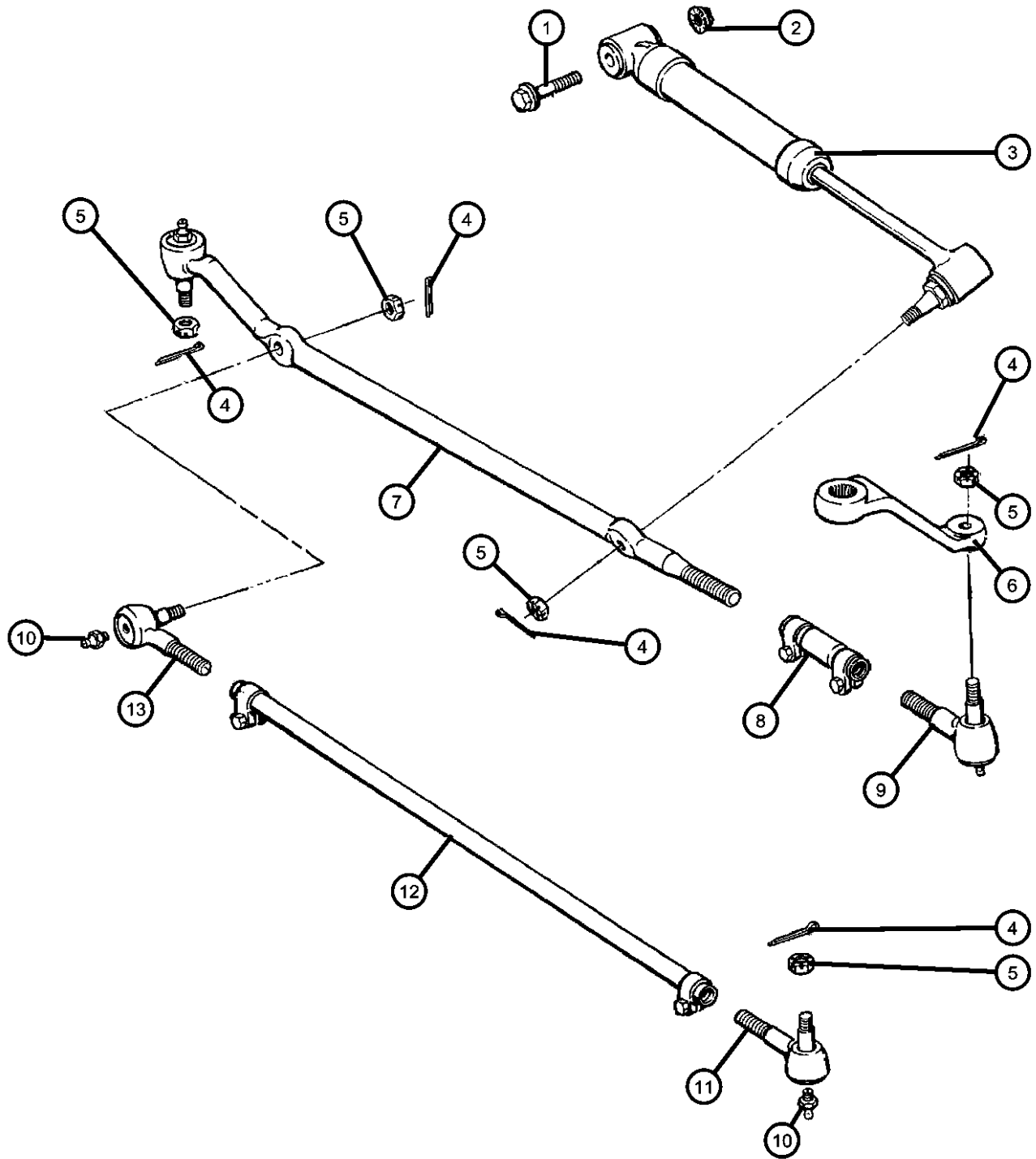
BODY
 72 = 2DR (101.4 WB)
 74 = 4 DR (101.4 WB)

ENGINE TRANSMISSION
 ENC = 2.5L 4 Cyl Turbo Diesel Engine DCB = Transmission - 4-Speed Manual,T3340
 EPE = Engine - 2.5L Power Tech I-4 Cyl. DDQ = 5-Speed Manual Transmission
 ERH = 4.0L Power Tech I-6 Transmission DDX = 5-Speed HD Manual
 Engine DGD = 3-Spd. Automatic 30RH
 ENO = Engines - ALL 4/5 CYL Turbo Diesel Transmission
 ERO = Engines - All 4.0L 6 Cyl Transmission DGK = 4-Spd. Automatic 42RE
 Gas DGS = 4-Speed Automatic AW4
 EPO = ENGINES - ALL 2.5L 4 CYL GAS Transmission
 DGT = 4-Spd. Automatic 46RE
 Transmission
 DGW = TRANSMISSION - 4-SPD. AUTOMATIC,44RE
 DGX = 4-Speed Automatic Transmission
 DGY = No Description Available
 DGZ = Transmission- 4-Spd. Automatic,MT643
 DBB = ALL MANUAL TRANSMISSIONS
 DGO = TRANSMISSIONS - ALL AUTOMATIC

AR = use ase required - = Non illustrated part

1998 XJ

**Linkage and Damper
Figure 19-410**



ITEM	PART NUMBER	QTY	LINE	SERIES	BODY	ENGINE	TRANS	TRIM	DESCRIPTION
1	11505098	1							BOLT, Hex Flange Head, M12x1.75x60
2	06502697	1							NUT, Hex Flange Lock, M12x1.75
3									DAMPER, Steering Linkage
	52037506	1	B, U						
	52087827	1	J, T						
4	34202101	1							PIN, Cotter
5	J0274428	1							NUT, Hex Slotted
6									ARM, Pitman
	52000615	1	J, T						
	52006505	1	B, U						
7									SOCKET, Drag Link
	52006582	1	B, U						Outer
	52006592	1	J, T						Outer
8									TUBE, Tie Rod
	52005742	1	J, T						
		1	B, U						
9									SOCKET
	52005739	1	J, T						Drag Link, Inner
		1	B, U						Drag Link, Inner
10									FITTING PACKAGE, Grease
	83507064	1	J, T						
		1	B, U						

CHEROKEE (XJ)

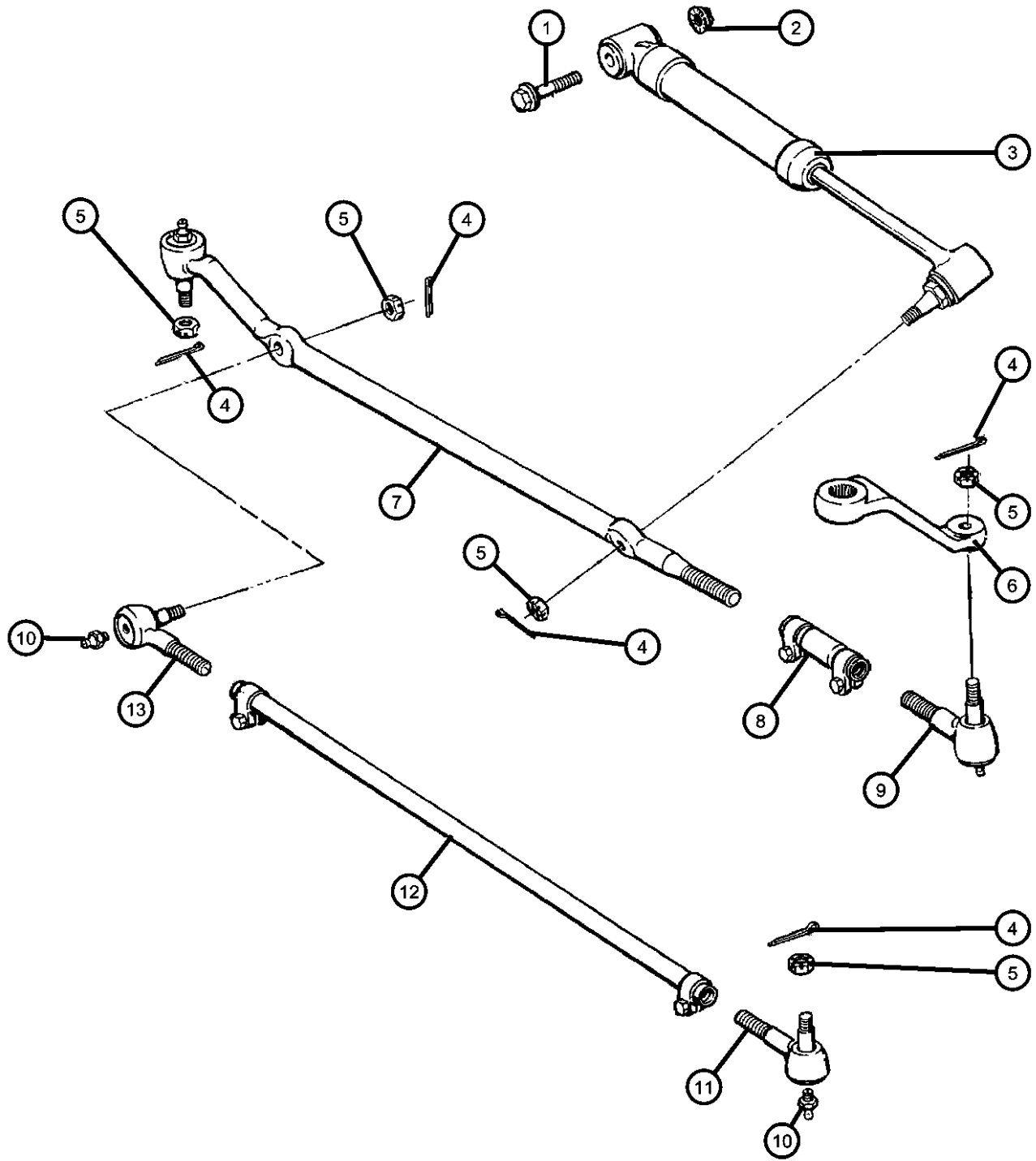
SERIES LINE
 L = LOWLINE B = JEEP - 2WD (RHD)
 U = JEEP - 4WD (RHD)
 T = LHD - (2WD)
 J = JEEP - - LHD (4WD)

BODY
 72 = 2DR (101.4 WB)
 74 = 4 DR (101.4 WB)

ENGINE TRANSMISSION
 ENC = 2.5L 4 Cyl Turbo Diesel Engine DCB = Transmission - 4-Speed Manual,T3340
 EPE = Engine - 2.5L Power Tech I-4 Cyl. DDQ = 5-Speed Manual Transmission
 ERH = 4.0L Power Tech I-6 Transmission DDX = 5-Speed HD Manual Transmission
 Engine DGD = 3-Spd. Automatic 30RH Transmission
 ENO = Engines - ALL 4/5 CYL Turbo Diesel DGK = 4-Spd. Automatic 42RE Transmission
 ERO = Engines - All 4.0L 6 Cyl Gas DGS = 4-Speed Automatic AW4 Transmission
 EPO = ENGINES - ALL 2.5L 4 CYL GAS DGT = 4-Spd. Automatic 46RE Transmission
 DGW = TRANSMISSION - 4-SPD. AUTOMATIC,44RE
 DGX = 4-Speed Automatic Transmission
 DGY = No Description Available
 DGZ = Transmission- 4-Spd. Automatic,MT643
 DBB = ALL MANUAL TRANSMISSIONS
 DG0 = TRANSMISSIONS - ALL AUTOMATIC

AR = use ase required - = Non illustrated part

Linkage and Damper
Figure 19-410



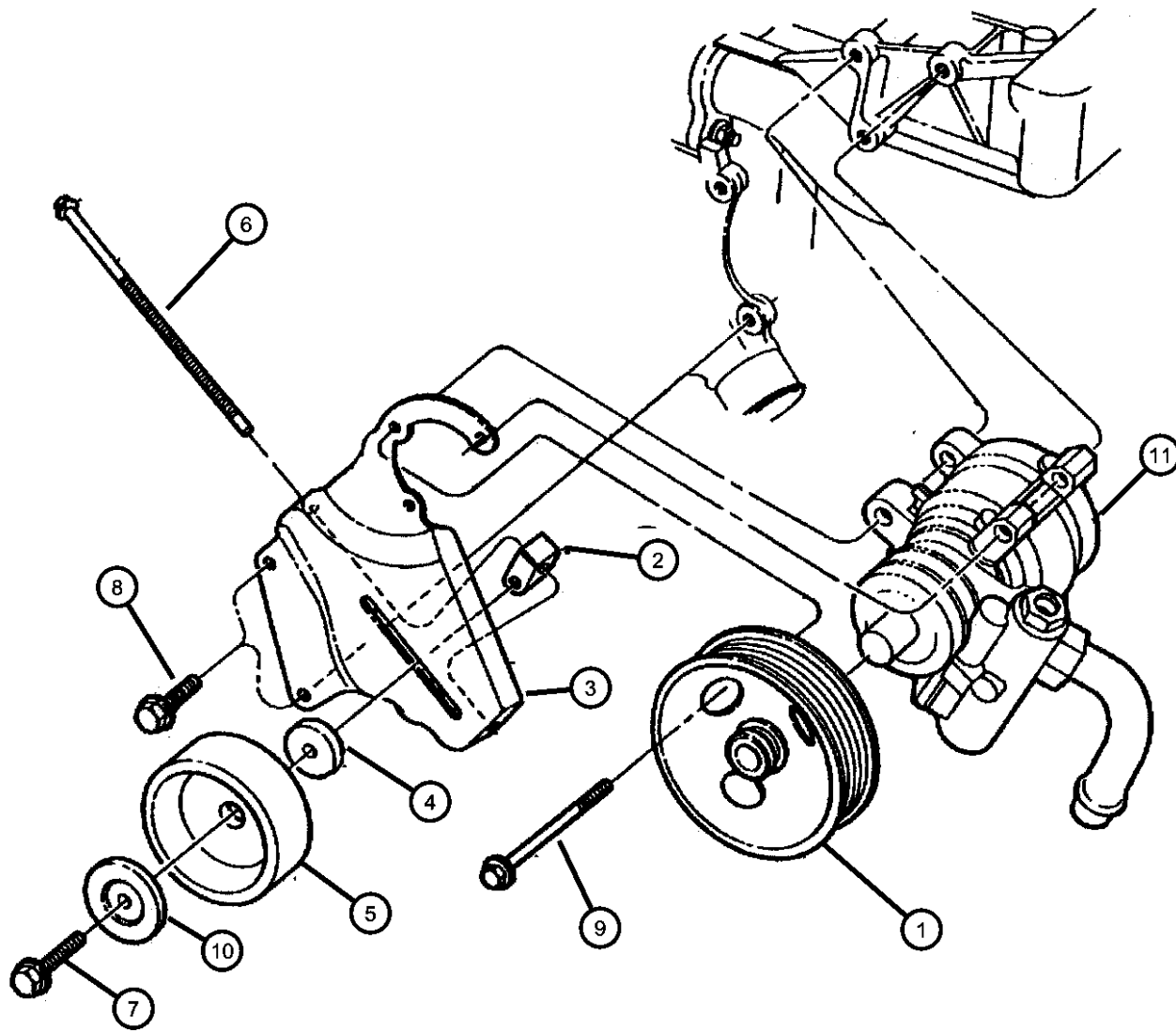
ITEM	PART NUMBER	QTY	LINE	SERIES	BODY	ENGINE	TRANS	TRIM	DESCRIPTION
11	52005741	1	J, T						SOCKET, Tie Rod, Outer
		1	B, U						
12	52005743	1	J, T						TUBE, Tie Rod
		1	B, U						
13	52005740	1	J, T						SOCKET, Tie Rod, Inner
		1	B, U						

CHEROKEE (XJ)

SERIES	LINE	BODY	ENGINE	TRANSMISSION
L = LOWLINE	B = JEEP - 2WD (RHD) U = JEEP - 4WD (RHD) T = LHD - (2WD) J = JEEP - - LHD (4WD)	72 = 2DR (101.4 WB) 74 = 4 DR (101.4 WB)	ENC = 2.5L 4 Cyl Turbo Diesel Engine EPE = Engine - 2.5L Power Tech I-4 Cyl. ERH = 4.0L Power Tech I-6 Engine ENO = Engines - ALL 4/5 CYL Turbo Diesel ERO = Engines - All 4.0L 6 Cyl Gas EPO = ENGINES - ALL 2.5L 4 CYL GAS	DCB = Transmission - 4-Speed Manual,T3340 DDQ = 5-Speed Manual Transmission DDX = 5-Speed HD Manual Transmission DGD = 3-Spd. Automatic 30RH Transmission DGK = 4-Spd. Automatic 42RE Transmission DGS = 4-Speed Automatic AW4 Transmission DGT = 4-Spd. Automatic 46RE Transmission DGW = TRANSMISSION - 4-SPD. AUTOMATIC,44RE DGX = 4-Speed Automatic Transmission DGY = No Description Available DGZ = Transmission- 4-Spd. Automatic,MT643 DBB = ALL MANUAL TRANSMISSIONS DGO = TRANSMISSIONS - ALL AUTOMATIC

AR = use ase required - = Non illustrated part

Pump and Mounting, with 2.5L Gas Engine
Figure 19-530



ITEM	PART NUMBER	QTY	LINE	SERIES	BODY	ENGINE	TRANS	TRIM	DESCRIPTION
NOTES; SALES CODE EPO= ALL 2.5L 14 GAS. ERO=ALL 4.0L 6CYL GAS									
1	53010258	1				EPO, ERO			PULLEY, Power Steering Pump
2									COLLAR, Tensioner Adjustment
	53010149	1	J, T			EPO			
		1	B, U			EPO			
3									BRACKET, Tensioner
	53010148	1	J, T			EPO			
		1	B, U			EPO			
4									SPACER, Belt Tensioner
	06503230	1	J, T			EPO			
		1	B, U			EPO			
5									PULLEY, Idler
	04792112	1	J, T			EPO			
		1	B, U			EPO			
6									BOLT
	06503198	1	J, T			EPO			
		1	B, U			EPO			
7									BOLT, Hex Flange Head, M10x1.50x50
	34202029	1	J, T			EPO			
		1	B, U			EPO			
8	00181112	1	J, T			EPO	DG0		SCREW AND WASHER, .375-16x1.00
9									SCREW AND WASHER, Hex Head, M8x1.25x95

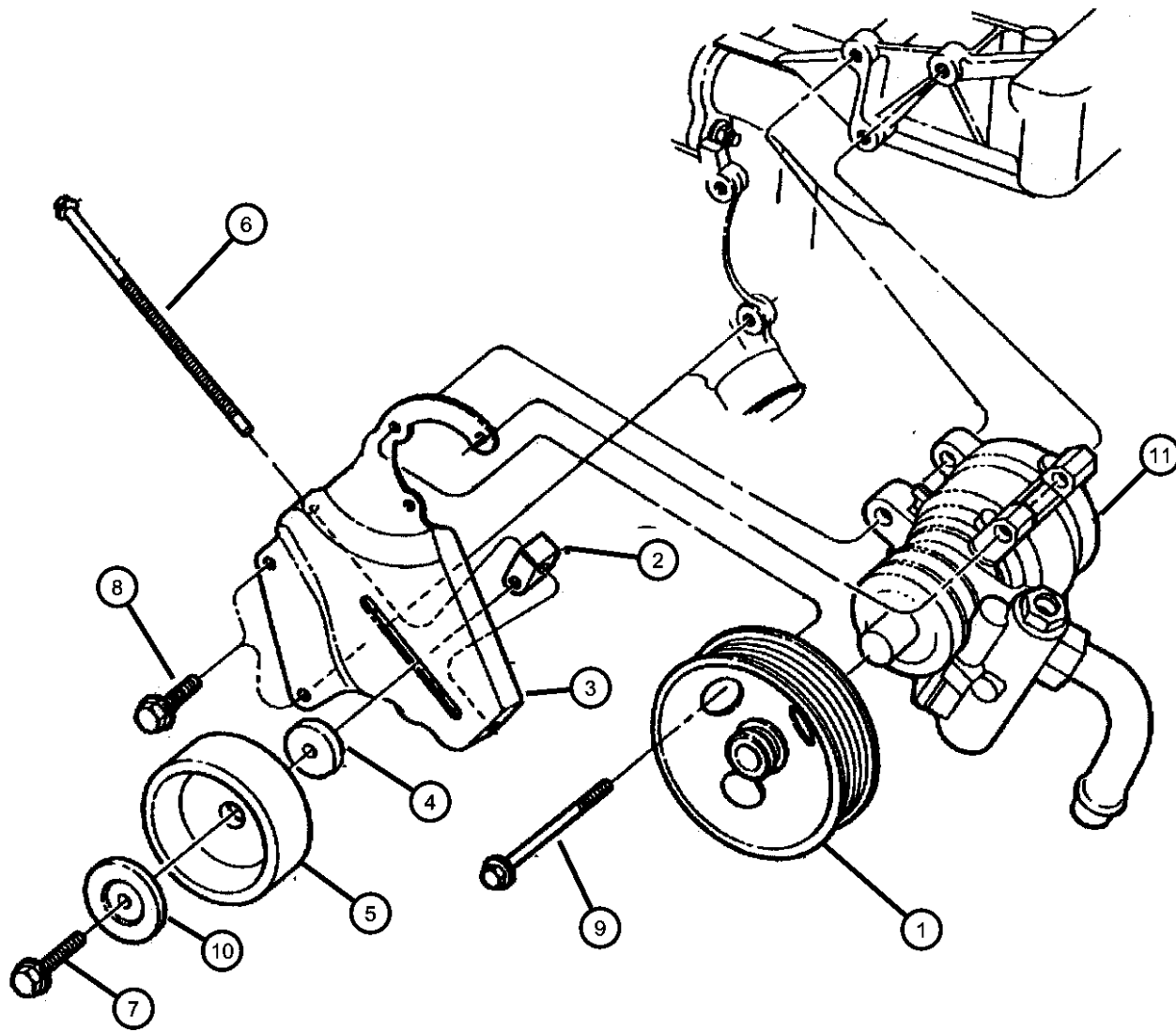
CHEROKEE (XJ)

SERIES	LINE	BODY	ENGINE	TRANSMISSION
L = LOWLINE	B = JEEP - 2WD (RHD) U = JEEP - 4WD (RHD) T = LHD - (2WD) J = JEEP - - LHD (4WD)	72 = 2DR (101.4 WB) 74 = 4 DR (101.4 WB)	ENC = 2.5L 4 Cyl Turbo Diesel Engine EPE = Engine - 2.5L Power Tech I-4 Cyl. ERH = 4.0L Power Tech I-6 Engine ENO = Engines - ALL 4/5 CYL Turbo Diesel ERO = Engines - All 4.0L 6 Cyl Gas EPO = ENGINES - ALL 2.5L 4 CYL GAS	DCB = Transmission - 4-Speed Manual, T3340 DDQ = 5-Speed Manual Transmission DDX = 5-Speed HD Manual Transmission DGD = 3-Spd. Automatic 30RH Transmission DGK = 4-Spd. Automatic 42RE Transmission DGS = 4-Speed Automatic AW4 Transmission DGT = 4-Spd. Automatic 46RE Transmission DGW = TRANSMISSION - 4-SPD. AUTOMATIC, 44RE DGX = 4-Speed Automatic Transmission DGY = No Description Available DGZ = Transmission- 4-Spd. Automatic, MT643 DBB = ALL MANUAL TRANSMISSIONS DG0 = TRANSMISSIONS - ALL AUTOMATIC

AR = use ase required - = Non illustrated part

Pump and Mounting, with 2.5L Gas Engine
Figure 19-530

ITEM	PART NUMBER	QTY	LINE	SERIES	BODY	ENGINE	TRANS	TRIM	DESCRIPTION
	06502425	3	J, T			EP0			
		3	B, U			ER0			
10	33002201	1	B, U			EP0			BUSHING, Idler Pulley
		1	J, T			EP0			
11	52088018AB	1				EP0			PUMP, Power Steering



CHEROKEE (XJ)

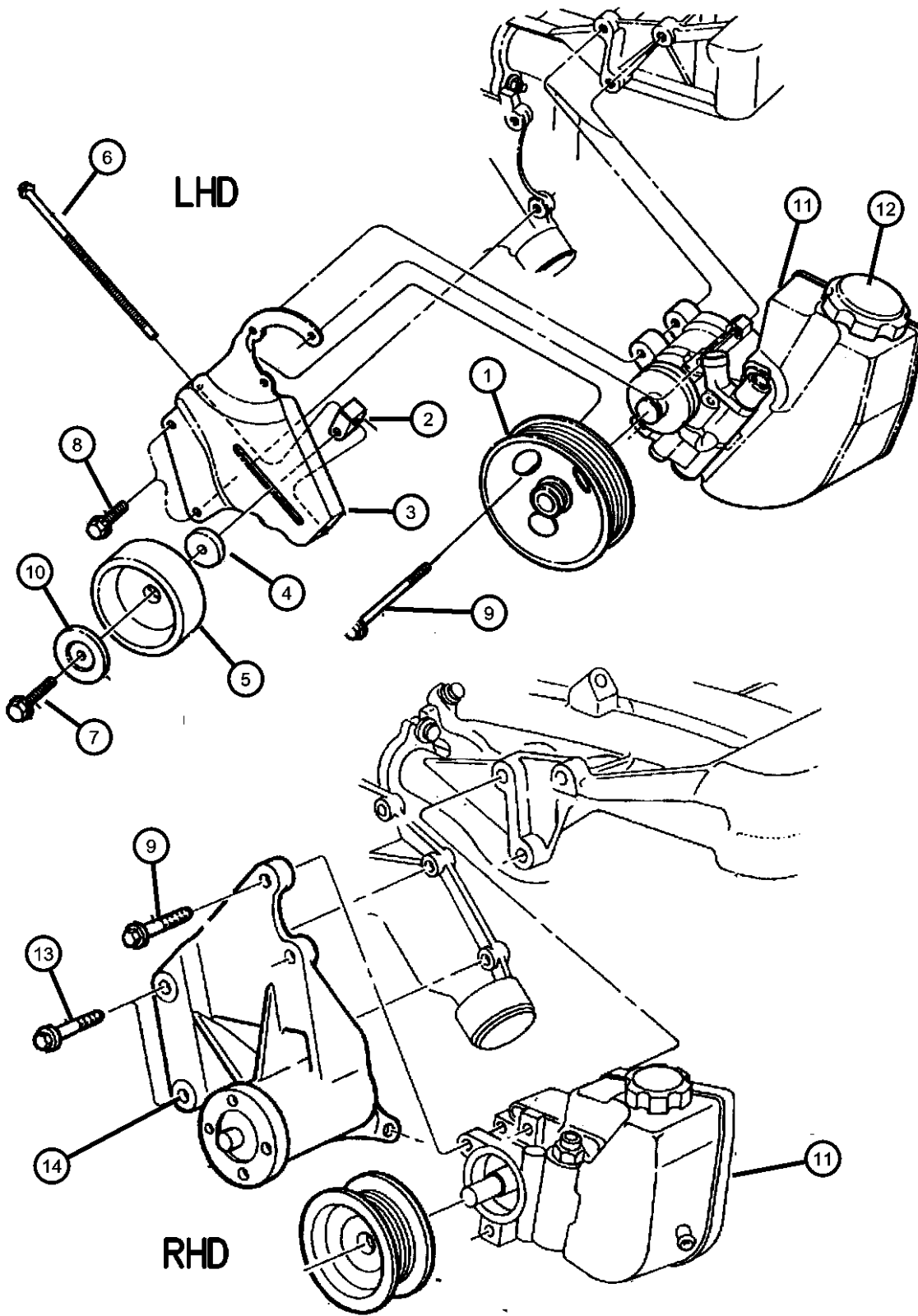
SERIES LINE
 L = LOWLINE B = JEEP - 2WD (RHD)
 U = JEEP - 4WD (RHD)
 T = LHD - (2WD)
 J = JEEP - - LHD (4WD)

BODY
 72 = 2DR (101.4 WB)
 74 = 4 DR (101.4 WB)

ENGINE TRANSMISSION
 ENC = 2.5L 4 Cyl Turbo Diesel Engine
 EPE = Engine - 2.5L Power Tech I-4 Cyl.
 ERH = 4.0L Power Tech I-6 Engine
 ENO = Engines - ALL 4/5 CYL Turbo Diesel
 ERO = Engines - All 4.0L 6 Cyl Gas
 EP0 = ENGINES - ALL 2.5L 4 CYL GAS
 DCB = Transmission - 4-Speed Manual, T3340
 DDQ = 5-Speed Manual Transmission
 DDX = 5-Speed HD Manual Transmission
 DGD = 3-Spd. Automatic 30RH Transmission
 DGK = 4-Spd. Automatic 42RE Transmission
 DGS = 4-Speed Automatic AW4 Transmission
 DGT = 4-Spd. Automatic 46RE Transmission
 DGW = TRANSMISSION - 4-SPD. AUTOMATIC, 44RE
 DGX = 4-Speed Automatic Transmission
 DGY = No Description Available
 DGZ = Transmission- 4-Spd. Automatic, MT643
 DBB = ALL MANUAL TRANSMISSIONS
 DG0 = TRANSMISSIONS - ALL AUTOMATIC

AR = use ase required - = Non illustrated part

Pump and Mounting, with 4.0L Engine
Figure 19-535



ITEM	PART NUMBER	QTY	LINE	SERIES	BODY	ENGINE	TRANS	TRIM	DESCRIPTION
NOTES; SALES CODE EPO= ALL 2.5L I4 GAS, ERO=ALL 4.0L 6CYL GAS									
NOTES; SALES CODE ERO= ALL 4.0L 6CYL GAS									
1	53010258	1				EP0, ERO			PULLEY, Power Steering Pump
2	53010149	1	J, T			EP0			COLLAR, Tensioner Adjustment
		1	B, U			EP0			
3	53010148	1	J, T			EP0			BRACKET, Tensioner
		1	B, U			EP0			
4	06503230	1	J, T			EP0			SPACER, Belt Tensioner
		1	B, U			EP0			
5	04792112	1	J, T			EP0			PULLEY, Idler
		1	B, U			EP0			
6	06503198	1	J, T			EP0			BOLT
		1	B, U			EP0			
7	34202029	1	J, T			EP0			BOLT, Hex Flange Head, M10x1.50x50
		1	B, U			EP0			
8	00181112	1	J, T			EP0	DG0		SCREW AND WASHER, .375-16x1.00

CHEROKEE (XJ)

SERIES

L = LOWLINE
 B = JEEP - 2WD (RHD)
 U = JEEP - 4WD (RHD)
 T = LHD - (2WD)
 J = JEEP - - LHD (4WD)

LINE

BODY

72 = 2DR (101.4 WB)
 74 = 4 DR (101.4 WB)

ENGINE

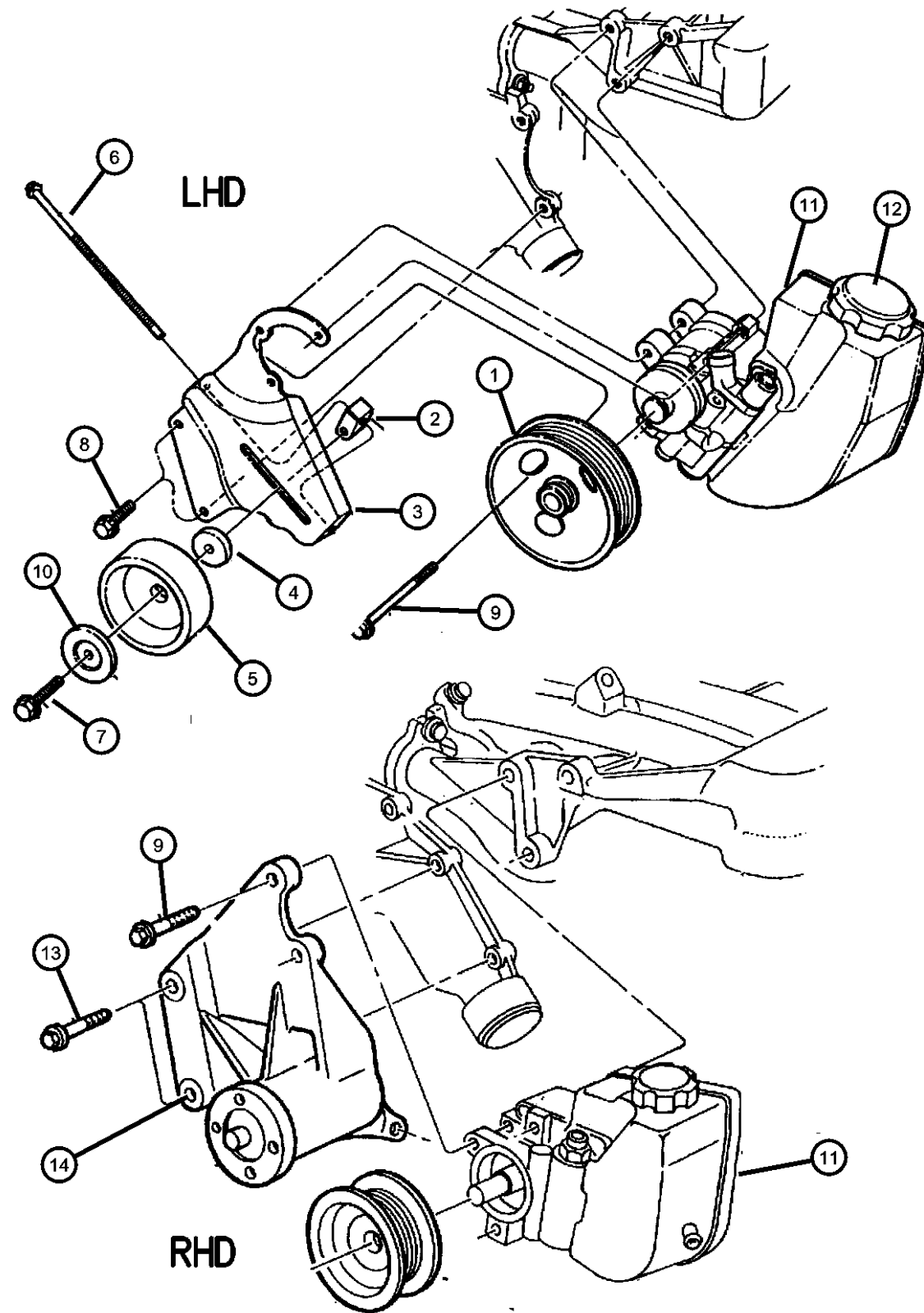
ENC = 2.5L 4 Cyl Turbo Diesel Engine
 EPE = Engine - 2.5L Power Tech I-4 Cyl.
 ERH = 4.0L Power Tech I-6 Engine
 ENO = Engines - ALL 4/5 CYL Turbo Diesel
 ERO = Engines - All 4.0L 6 Cyl Gas
 EPO = ENGINES - ALL 2.5L 4 CYL GAS

TRANSMISSION

DCB = Transmission - 4-Speed Manual, T3340
 DDQ = 5-Speed Manual Transmission
 DDX = 5-Speed HD Manual Transmission
 DGD = 3-Spd. Automatic 30RH Transmission
 DGK = 4-Spd. Automatic 42RE Transmission
 DGS = 4-Speed Automatic AW4 Transmission
 DGT = 4-Spd. Automatic 46RE Transmission
 DGW = TRANSMISSION - 4-SPD. AUTOMATIC, 44RE
 DGX = 4-Speed Automatic Transmission
 DGY = No Description Available
 DGZ = Transmission- 4-Spd. Automatic, MT643
 DBB = ALL MANUAL TRANSMISSIONS
 DG0 = TRANSMISSIONS - ALL AUTOMATIC

AR = use ase required - = Non illustrated part

Pump and Mounting, with 4.0L Engine
Figure 19-535



ITEM	PART NUMBER	QTY	LINE	SERIES	BODY	ENGINE	TRANS	TRIM	DESCRIPTION
9									SCREW AND WASHER, Hex Head, M8x1.25x95
	06502425	3	J, T			EP0			
		3	B, U			ER0			
10									BUSHING, Idler Pulley
	33002201	1	J, T			EP0			
		1	J, T			ER0			
11									PUMP, Power Steering
	52087871AD	1	J, T			ER0			
	R2087871AD								Mopar Remanufactured Part
	52088139AC	1	B, U			ER0			
	R2088139								Mopar Remanufactured Part
12	04897287AA	1	J, T			ER0			CAP, Power Steering Reservoir
13	J4007073	2							SCREW AND WASHER, .375-16x1.125
14	53010243	1	B, U			ER0			BRACKET, Power Steering Pump

CHEROKEE (XJ)

SERIES LINE
 L = LOWLINE B = JEEP - 2WD (RHD)
 U = JEEP - 4WD (RHD)
 T = LHD - (2WD)
 J = JEEP - - LHD (4WD)

BODY
 72 = 2DR (101.4 WB)
 74 = 4 DR (101.4 WB)

ENGINE TRANSMISSION
 ENC = 2.5L 4 Cyl Turbo Diesel Engine
 EPE = Engine - 2.5L Power Tech I-4 Cyl.
 ERH = 4.0L Power Tech I-6 Engine
 ENO = Engines - ALL 4/5 CYL Turbo Diesel
 ERO = Engines - All 4.0L 6 Cyl Gas
 EP0 = ENGINES - ALL 2.5L 4 CYL GAS
 DCB = Transmission - 4-Speed Manual,T3340
 DDQ = 5-Speed Manual Transmission
 DDX = 5-Speed HD Manual Transmission
 DGD = 3-Spd. Automatic 30RH Transmission
 DGK = 4-Spd. Automatic 42RE Transmission
 DGS = 4-Speed Automatic AW4 Transmission
 DGT = 4-Spd. Automatic 46RE Transmission
 DGW = TRANSMISSION - 4-SPD. AUTOMATIC,44RE
 DGX = 4-Speed Automatic Transmission
 DGY = No Description Available
 DGZ = Transmission- 4-Spd. Automatic,MT643
 DBB = ALL MANUAL TRANSMISSIONS
 DGO = TRANSMISSIONS - ALL AUTOMATIC

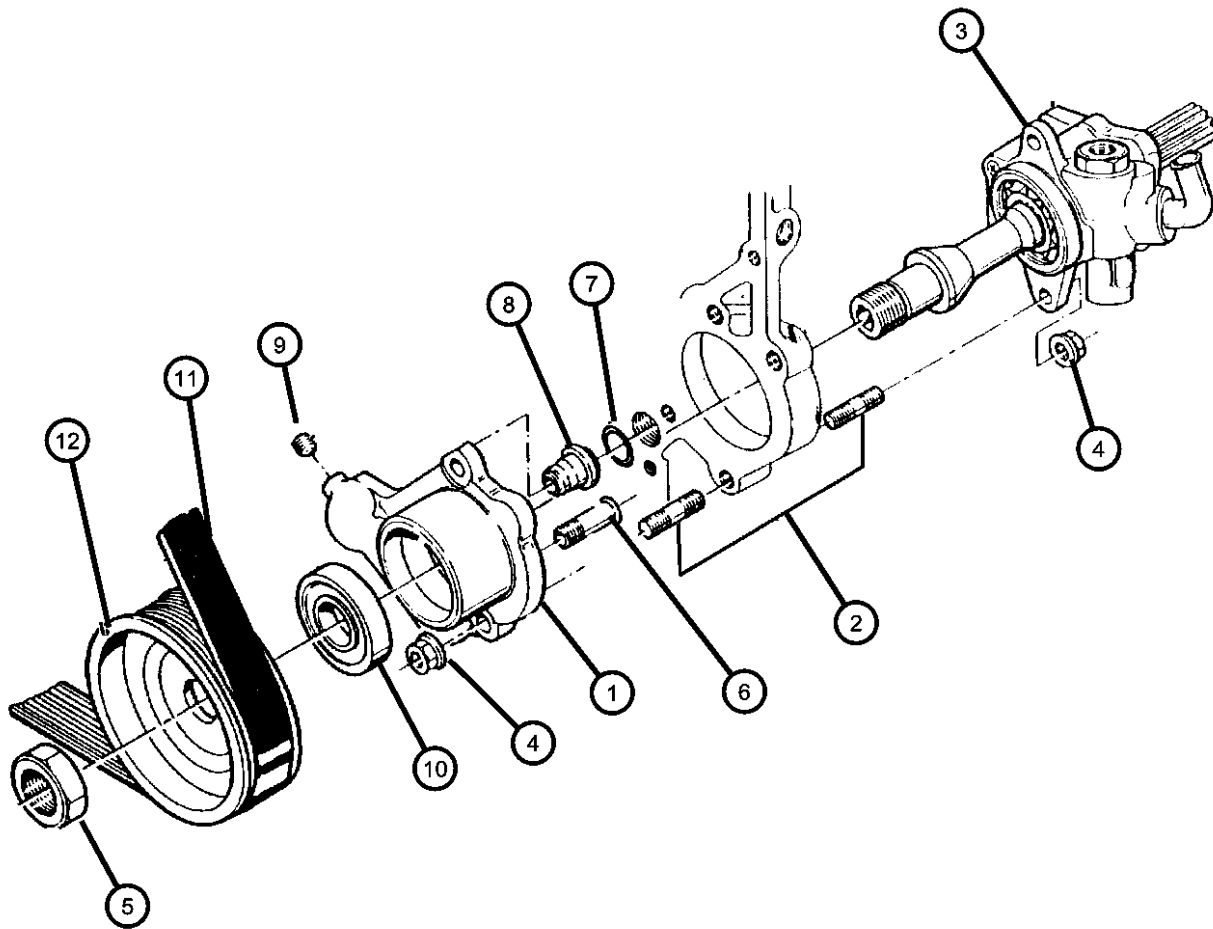
AR = use ase required - = Non illustrated part

**Pump and Mounting, with 2.5L Diesel Engine
Figure 19-545**

ITEM	PART NUMBER	QTY	LINE	SERIES	BODY	ENGINE	TRANS	TRIM	DESCRIPTION
------	-------------	-----	------	--------	------	--------	-------	------	-------------

NOTES; SALES CODE ENO = ALL 4 CYL DIESELS

1	04883461AA	1				ENO			SUPPORT, Power Steering Pump
2	04723331	5				ENO			STUD, M8x25
3	04883460AA	1				ENO			PUMP, Power Steering
4	04883460AA	1							NUT, Hex Lock, M8, (NOT SERVICED)
5	04883460AA	1							NUT, Power Steering Pump Pulley, (NOT SERVICED)
6	05003548AA	1				ENO			PIPE, Vacuum Pump
7	04723334	1				ENO			GASKET, Valve
8	04723335	1				ENO			VALVE, Vacuum Pump
9	04883425AA	1				ENO			PLUG
10	04723339	1				ENO			BEARING, Power Steering Pump Shaft
11	04883445AA	1				ENO			BELT, Accessory Drive
12	04796034	1				ENO			PULLEY, Power Steering Pump



CHEROKEE (XJ)

SERIES	LINE	BODY	ENGINE	TRANSMISSION
L = LOWLINE	B = JEEP - 2WD (RHD) U = JEEP - 4WD (RHD) T = LHD - (2WD) J = JEEP - - LHD (4WD)	72 = 2DR (101.4 WB) 74 = 4 DR (101.4 WB)	ENC = 2.5L 4 Cyl Turbo Diesel Engine EPE = Engine - 2.5L Power Tech I-4 Cyl. ERH = 4.0L Power Tech I-6 Engine ENO = Engines - ALL 4/5 CYL Turbo Diesel ERO = Engines - All 4.0L 6 Cyl Gas EPO = ENGINES - ALL 2.5L 4 CYL GAS	DCB = Transmission - 4-Speed Manual,T3340 DDQ = 5-Speed Manual Transmission DDX = 5-Speed HD Manual Transmission DGD = 3-Spd. Automatic 30RH Transmission DGK = 4-Spd. Automatic 42RE Transmission DGS = 4-Speed Automatic AW4 Transmission DGT = 4-Spd. Automatic 46RE Transmission DGW = TRANSMISSION - 4-SPD. AUTOMATIC,44RE DGX = 4-Speed Automatic Transmission DGY = No Description Available DGZ = Transmission- 4-Spd. Automatic,MT643 DBB = ALL MANUAL TRANSMISSIONS DGO = TRANSMISSIONS - ALL AUTOMATIC

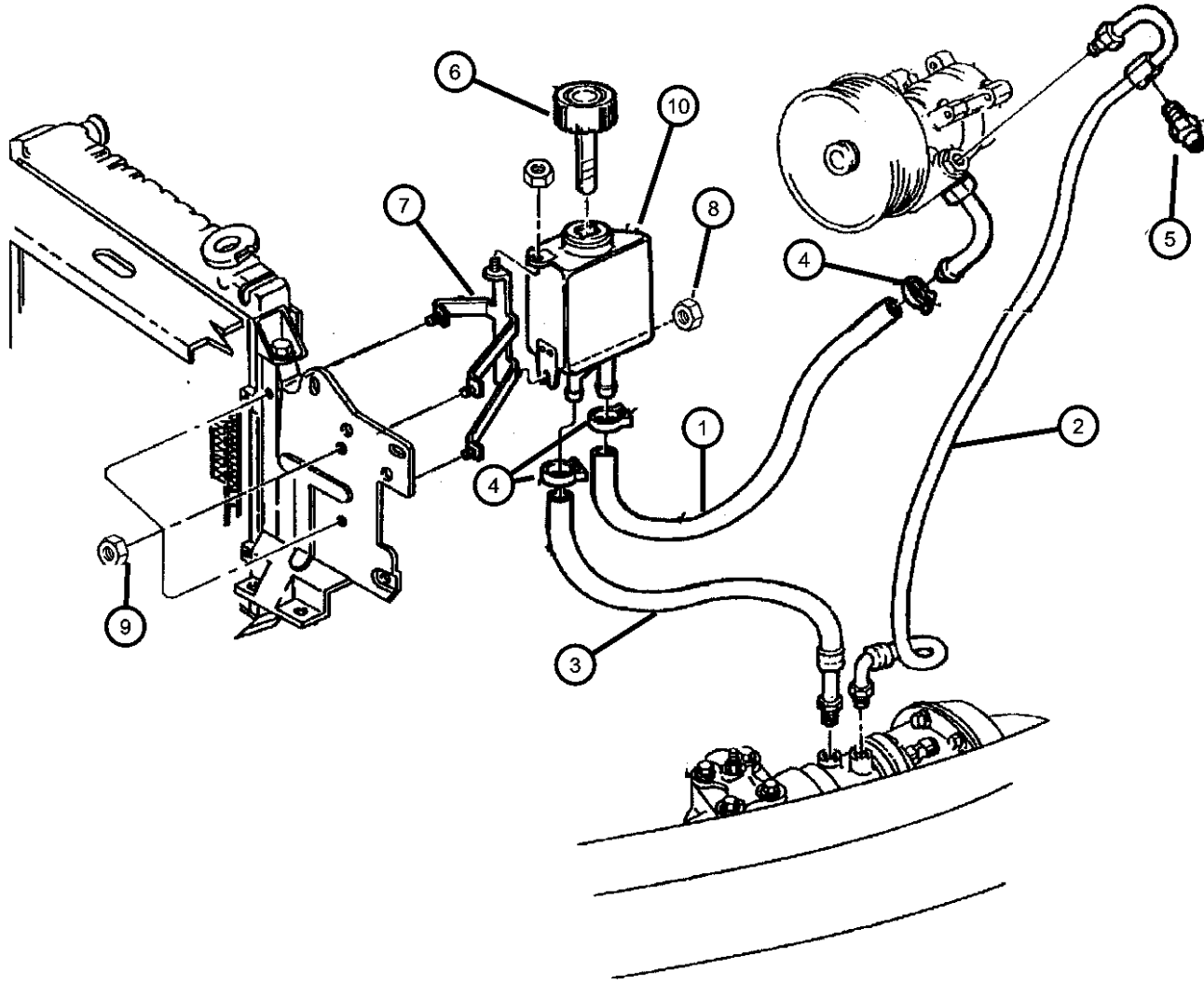
AR = use ase required - = Non illustrated part

1998 XJ

Hose and Reservoir, with 2.5L Gas Engine, Left Hand Drive
Figure 19-720

ITEM	PART NUMBER	QTY	LINE	SERIES	BODY	ENGINE	TRANS	TRIM	DESCRIPTION
------	-------------	-----	------	--------	------	--------	-------	------	-------------

NOTES; SALES CODE EPO = ALL 2.5L 14 GAS, EPE = 2.5L I4 (MPI) GAS, ENO = ALL 4 CYL DIESELS



1									HOSE, Pump Supply
	52088137	1				EPO			
	52088216	1				ENC			
2	52088387AC	1	J, T			EPE			HOSE, Power Steering Pressure
3	52003135AB	1	J, T			EPO			HOSE, Power Steering Return
4	02448770	2				EPO			CLAMP, Hose
5	56027906AB	1	J, T			EPE			SWITCH, Power Steering
6	04694766	1				ENC, EPO			CAP, Power Steering Pump
7	52087766	1				ENC			BRACKET, Power Steering Reservoir
8	11503745	2				ENO			NUT, Hex, M6x1
9	11502722	2				ERO			NUT, Hex Flange, M5x.8
10	52087713AB	1				EPO			RESERVOIR, Power Steering Pump

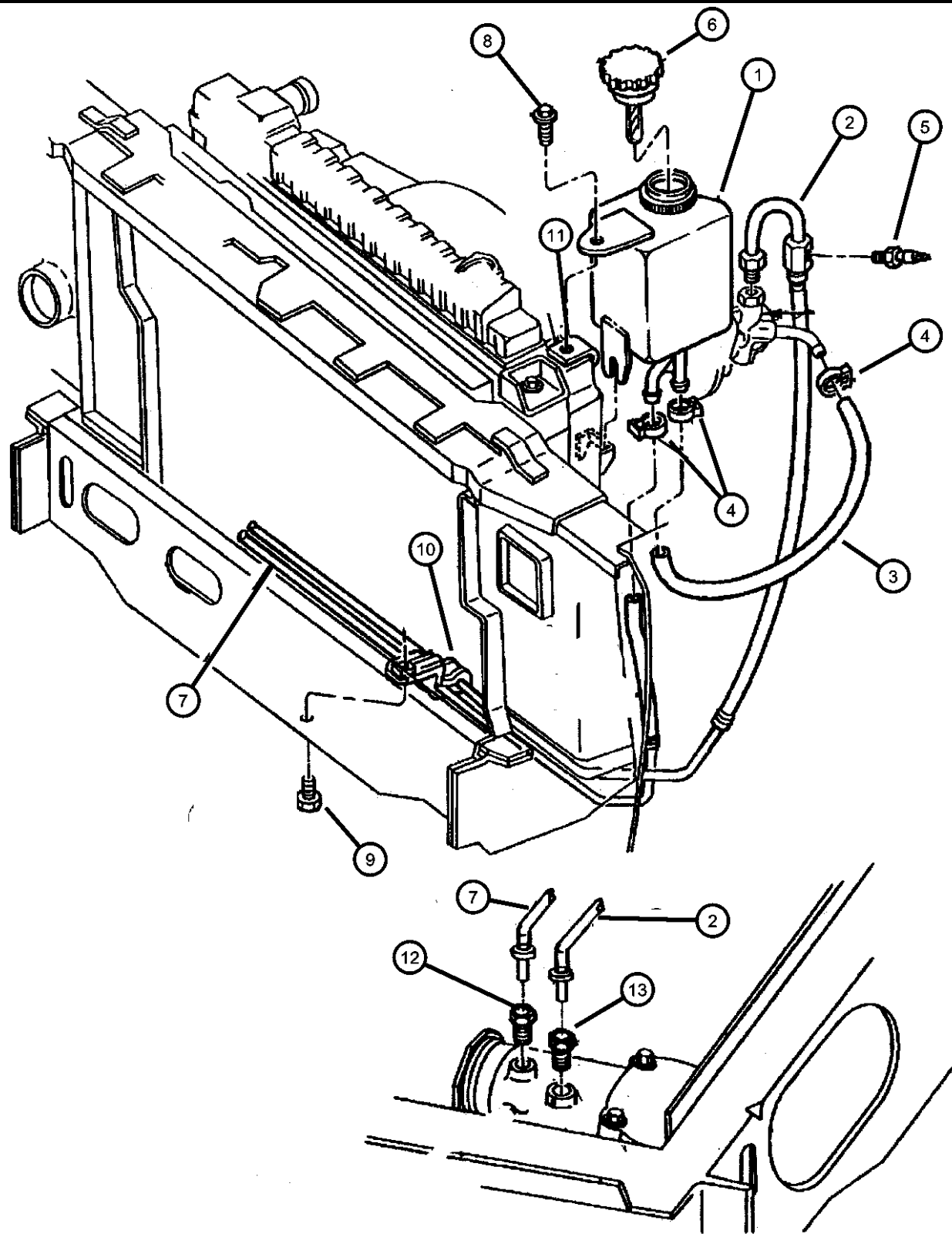
CHEROKEE (XJ)

SERIES	LINE	BODY	ENGINE	TRANSMISSION
L = LOWLINE	B = JEEP - 2WD (RHD) U = JEEP - 4WD (RHD) T = LHD - (2WD) J = JEEP - - LHD (4WD)	72 = 2DR (101.4 WB) 74 = 4 DR (101.4 WB)	ENC = 2.5L 4 Cyl Turbo Diesel Engine EPE = Engine - 2.5L Power Tech I-4 Cyl. ERH = 4.0L Power Tech I-6 Engine ENO = Engines - ALL 4/5 CYL Turbo Diesel ERO = Engines - All 4.0L 6 Cyl Gas EPO = ENGINES - ALL 2.5L 4 CYL GAS	DCB = Transmission - 4-Speed Manual,T3340 DDQ = 5-Speed Manual Transmission DDX = 5-Speed HD Manual Transmission DGD = 3-Spd. Automatic 30RH Transmission DGK = 4-Spd. Automatic 42RE Transmission DGS = 4-Speed Automatic AW4 Transmission DGT = 4-Spd. Automatic 46RE Transmission DGW = TRANSMISSION - 4-SPD. AUTOMATIC,44RE DGX = 4-Speed Automatic Transmission DGY = No Description Available DGZ = Transmission- 4-Spd. Automatic,MT643 DBB = ALL MANUAL TRANSMISSIONS DGO = TRANSMISSIONS - ALL AUTOMATIC

AR = use ase required - = Non illustrated part

1998 XJ

Hoses and Reservoir, with 2.5L Gas Engine, Right Hand Drive
Figure 19-730



ITEM	PART NUMBER	QTY	LINE	SERIES	BODY	ENGINE	TRANS	TRIM	DESCRIPTION
NOTES; SALES CODE EPE = 2.5L I4 (MPI) GAS. EPO = ALL 2.5L I4 GAS, ENC = 2.5L CYL TURBO I/COOLED DIESEL									
1	52087713AC	1				EPO			RESERVOIR, Power Steering Pump
2	52088388AC	1	B, U			EPE			HOSE, Power Steering Pressure
3									HOSE, Pump Supply
	52088137	1				EPO			
	52088216	1				ENC			
4	02448770	2				EPO			CLAMP, Hose
5	56027906AB	1	B, U			EPE			SWITCH, Power Steering
6	04694766	1				ENC, EPO			CAP, Power Steering Pump
7	52088166AD	1	B, U			EPO			HOSE, Power Steering Return
8	34202575	1	B, U			EPO			SCREW AND WASHER, Hex Head
9	34202467	7							SCREW, Hex Head, M8x1.25x30
10	04333457	2	B, U			ENC, EPO			BRACKET, Power Steering Hose
11	06101308	1	B, U			EPO			NUT, U, M6x1
12	52037556	1	B, U			ENC, EPE			FITTING, Power Steering, Quick Connect
13	52037556	1	B, U			ENC, EPE			FITTING, Power Steering, Quick Connect

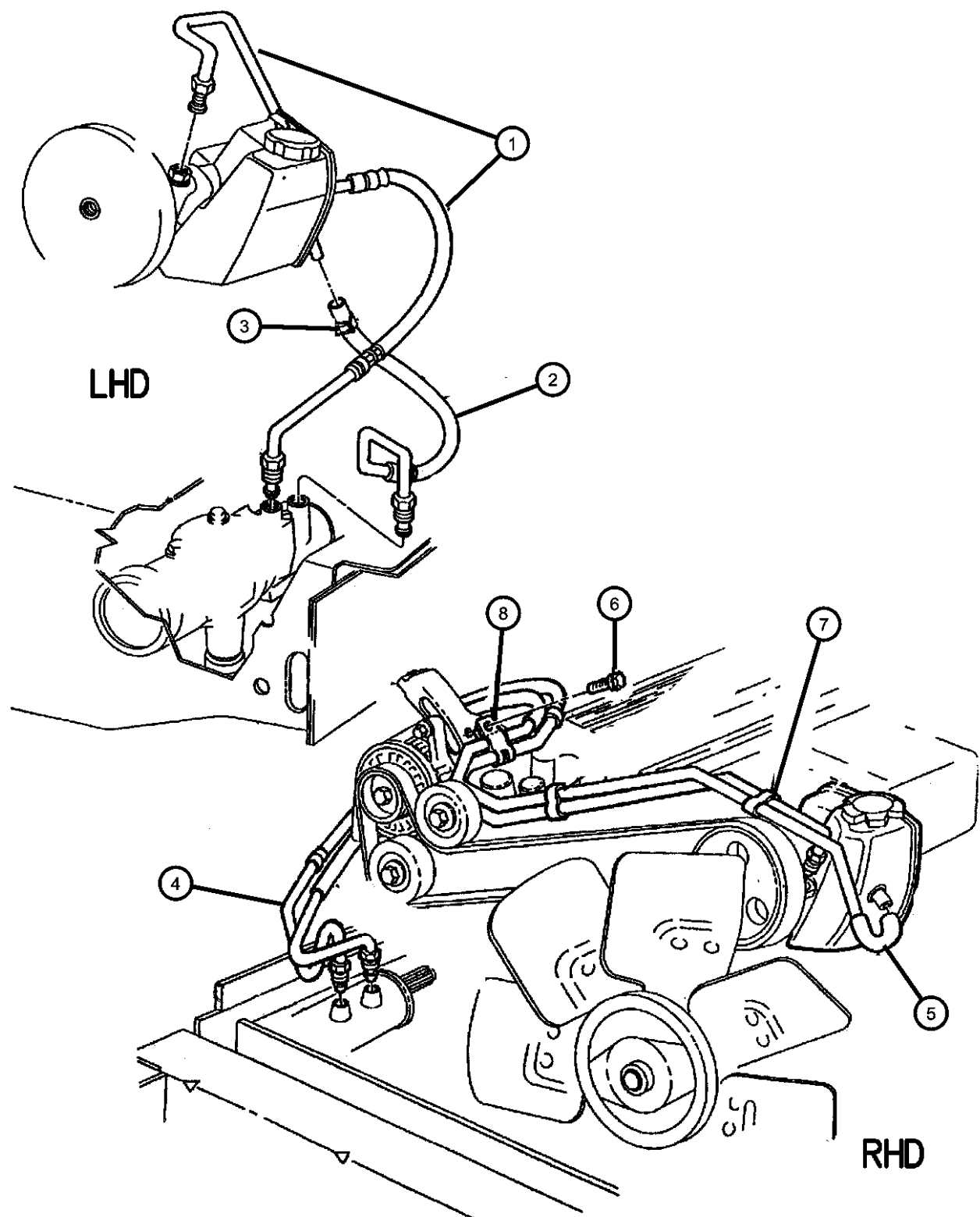
CHEROKEE (XJ)

SERIES	LINE	BODY	ENGINE	TRANSMISSION
L = LOWLINE	B = JEEP - 2WD (RHD) U = JEEP - 4WD (RHD) T = LHD - (2WD) J = JEEP - - LHD (4WD)	72 = 2DR (101.4 WB) 74 = 4 DR (101.4 WB)	ENC = 2.5L 4 Cyl Turbo Diesel Engine EPE = Engine - 2.5L Power Tech I-4 Cyl. ERH = 4.0L Power Tech I-6 Engine ENO = Engines - ALL 4/5 CYL Turbo Diesel ERO = Engines - All 4.0L 6 Cyl Gas EPO = ENGINES - ALL 2.5L 4 CYL GAS	DCB = Transmission - 4-Speed Manual, T3340 DDQ = 5-Speed Manual Transmission DDX = 5-Speed HD Manual Transmission DGD = 3-Spd. Automatic 30RH Transmission DGK = 4-Spd. Automatic 42RE Transmission DGS = 4-Speed Automatic AW4 Transmission DGT = 4-Spd. Automatic 46RE Transmission DGW = TRANSMISSION - 4-SPD. AUTOMATIC, 44RE DGX = 4-Speed Automatic Transmission DGY = No Description Available DGZ = Transmission- 4-Spd. Automatic, MT643 DBB = ALL MANUAL TRANSMISSIONS DGO = TRANSMISSIONS - ALL AUTOMATIC

AR = use ase required - = Non illustrated part

Hoses and Reservoir, with 4.0L Engine

Figure 19-740



ITEM	PART NUMBER	QTY	LINE	SERIES	BODY	ENGINE	TRANS	TRIM	DESCRIPTION
------	-------------	-----	------	--------	------	--------	-------	------	-------------

NOTES; SALES CODE ERO = ALL 4.0L 6CYL GAS, ENC = 2.5L 4CYL TURBO I/COOLED DIESEL, EPO = ALL 2.5L I4 GAS

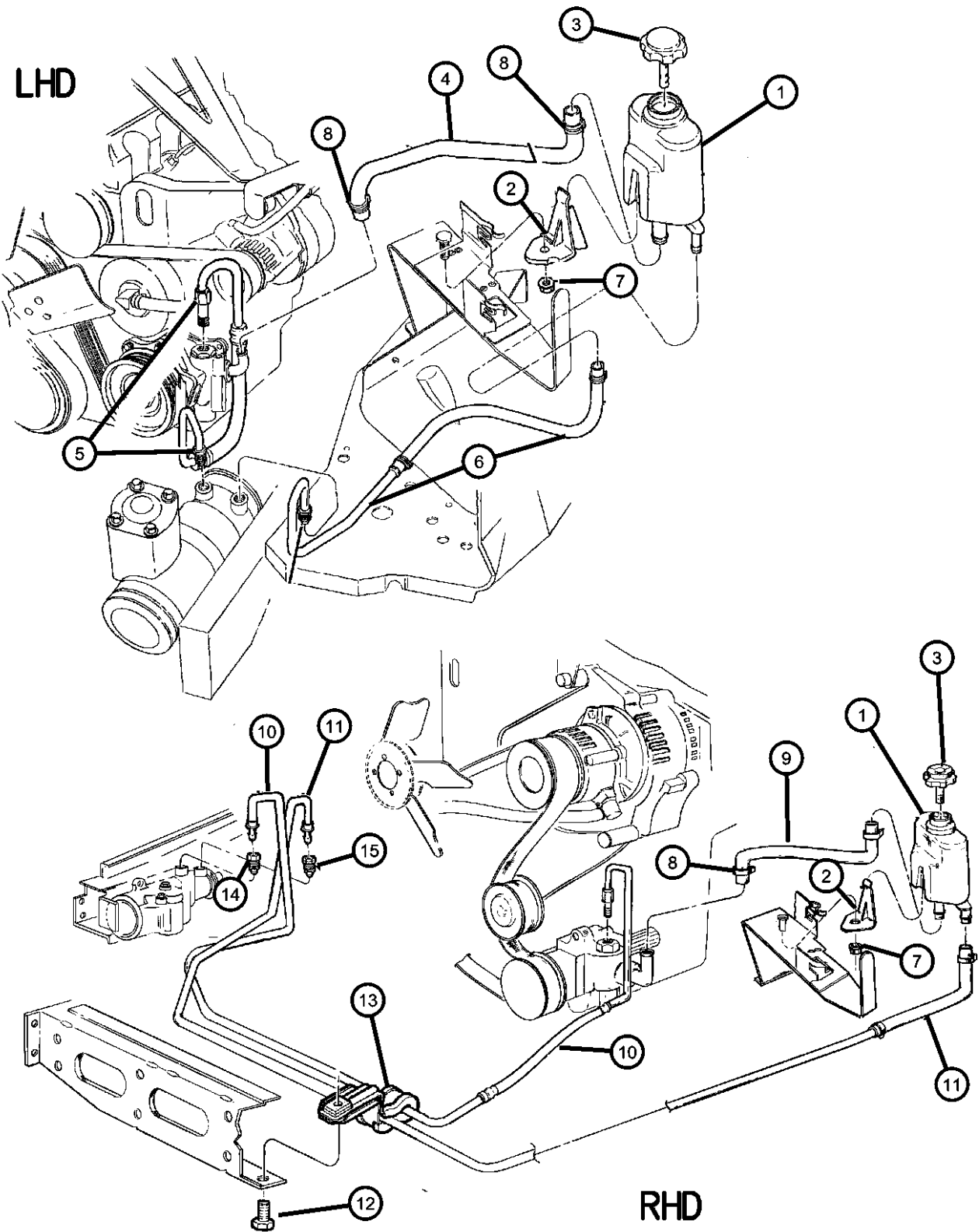
1	52088489	1	J, T			ER0			HOSE, Power Steering Pressure
2	52037645	1	J, T			ER0			HOSE, Power Steering Return
3	02448770	1				ENC, EPO			CLAMP, Hose
4	52088021	1	B, U			ER0			HOSE, Power Steering Pressure
5	52087975	1	B, U			ER0			HOSE, Power Steering Return
6	06502946	1	B, U			ER0			SCREW, Heat Shield, M6x1.00x13.00
7	06502946	1							CLIP, Power Steering Hose, (NOT SERVICED)
8	52087977	1	B, U			ER0			CLIP, Power Steering Hose

CHEROKEE (XJ)

SERIES	LINE	BODY	ENGINE	TRANSMISSION
L = LOWLINE	B = JEEP - 2WD (RHD) U = JEEP - 4WD (RHD) T = LHD - (2WD) J = JEEP - - LHD (4WD)	72 = 2DR (101.4 WB) 74 = 4 DR (101.4 WB)	ENC = 2.5L 4 Cyl Turbo Diesel Engine EPE = Engine - 2.5L Power Tech I-4 Cyl. ERH = 4.0L Power Tech I-6 Engine ENO = Engines - ALL 4/5 CYL Turbo Diesel ERO = Engines - All 4.0L 6 Cyl Gas EPO = ENGINES - ALL 2.5L 4 CYL GAS	DCB = Transmission - 4-Speed Manual, T3340 DDQ = 5-Speed Manual Transmission DDX = 5-Speed HD Manual Transmission DGD = 3-Spd. Automatic 30RH Transmission DGK = 4-Spd. Automatic 42RE Transmission DGS = 4-Speed Automatic AW4 Transmission DGT = 4-Spd. Automatic 46RE Transmission DGW = TRANSMISSION - 4-SPD. AUTOMATIC, 44RE DGX = 4-Speed Automatic Transmission DGY = No Description Available DGZ = Transmission- 4-Spd. Automatic, MT643 DBB = ALL MANUAL TRANSMISSIONS DGO = TRANSMISSIONS - ALL AUTOMATIC

AR = use ase required - = Non illustrated part

Hoses and Reservoir, with 2.5L Diesel Engine
Figure 19-750



ITEM	PART NUMBER	QTY	LINE	SERIES	BODY	ENGINE	TRANS	TRIM	DESCRIPTION
NOTES; SALES CODE ENC = 2.5L 4CYL TURBO I/COOLED DIESEL, EPO = ALL 2.5L I4 GAS, EPE = 2.5L I4 (MPI) GAS									
1	52087713AB	1				ENC			RESERVOIR, Power Steering Pump
2	52087766	1				ENC			BRACKET, Power Steering Reservoir
3	04694766	1				ENC, EPO			CAP, Power Steering Pump
4	52088216	1				ENC			HOSE, Pump Supply
5	52087783	1	J, T			ENC			HOSE, Power Steering Pressure
6	52088184	1	J, T			ENC			HOSE, Power Steering Return
7	06100516	2							NUT, Hex Flange Lock, M6 Phosphate
8	02448770	2				EPO			CLAMP, Hose
9	52088216	1				ENC			HOSE, Pump Supply
10	52087886	1	B, U			ENC			HOSE, Power Steering Pressure
11	52087892	1	B, U			ENC			HOSE, Power Steering Return
12	06501648	1	B, U			ENC, EPO			SCREW, Hex Flange Head, M8x1.25x25.00
13	52088109	1	B, U			ENC, EPO			BRACKET, Power Steering Hose
14	52037556	1	B, U			ENC, EPE			FITTING, Power Steering, Quick Connect
15	52088116	1	B, U			ENC, EPE			FITTING, Power Steering, Quick Connect

CHEROKEE (XJ)

SERIES LINE
L = LOWLINE B = JEEP - 2WD (RHD)
U = JEEP - 4WD (RHD)
T = LHD - (2WD)
J = JEEP - - LHD (4WD)

BODY
72 = 2DR (101.4 WB)
74 = 4 DR (101.4 WB)

ENGINE TRANSMISSION
ENC = 2.5L 4 Cyl Turbo Diesel Engine
EPE = Engine - 2.5L Power Tech I-4 Cyl.
ERH = 4.0L Power Tech I-6 Engine
ENO = Engines - ALL 4/5 CYL Turbo Diesel
ERO = Engines - All 4.0L 6 Cyl Gas
EPO = ENGINES - ALL 2.5L 4 CYL GAS
DCB = Transmission - 4-Speed Manual, T3340
DDQ = 5-Speed Manual Transmission
DDX = 5-Speed HD Manual Transmission
DGD = 3-Spd. Automatic 30RH Transmission
DGK = 4-Spd. Automatic 42RE Transmission
DGS = 4-Speed Automatic AW4 Transmission
DGT = 4-Spd. Automatic 46RE Transmission
DGW = TRANSMISSION - 4-SPD. AUTOMATIC, 44RE
DGX = 4-Speed Automatic Transmission
DGY = No Description Available
DGZ = Transmission- 4-Spd. Automatic, MT643
DBB = ALL MANUAL TRANSMISSIONS
DGO = TRANSMISSIONS - ALL AUTOMATIC

AR = use ase required - = Non illustrated part

1998 XJ

Group - 30RH

Automatic Transmission 3 Speed

Group - 30RH Automatic Transmission 3 Speed

Illustration Title

Group-Fig. No.

Transmission Assembly

Transmission 30RH (DGD) Fig. 30RH - 110

Case and Extension

Case and Related Parts 30RH (DGD) Fig. 30RH - 210

Oil Pump

Oil Pump 30RH (DGD) Fig. 30RH - 310

Gear Train

Gear 30RH (DGD) Fig. 30RH - 410

Gear 30RH (DGD) Fig. 30RH - 420

Bands, Reverse and Kickdown

Bands 30RH (DGD) Fig. 30RH - 510

Governor

Governor 30RH (DGD) Fig. 30RH - 610

Valve Body

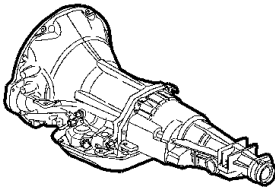
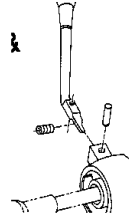
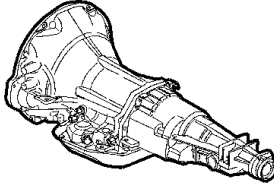

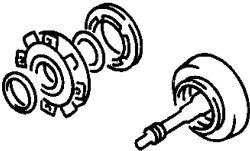
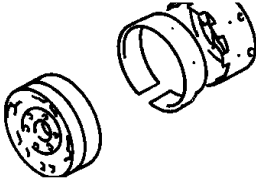
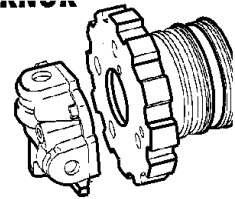
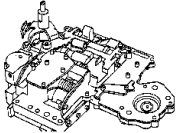
Valve Body 30 RH (DGD) Fig. 30RH - 710

Servos 30RH (DGD) Fig. 30RH - 720

Parking Sprag 30RH (DGD) Fig. 30RH - 730

Gearshift Controls

Gearshift Controls 30RH (DGD) Fig. 30RH - 1210

<p>30RH-100 Transmission Assembly</p> 	<p>30RH-1200 Gearshift Controls</p> 	<p>30RH-200 Case and Extension</p> 	<p>30RH-300 Oil Pump</p> 
<p>30RH-400 Gear Train</p> 	<p>30RH-500 Bands, Reverse and Kickdown</p> 	<p>30RH-600 Governor</p> 	<p>30RH-700 Valve Body</p> 

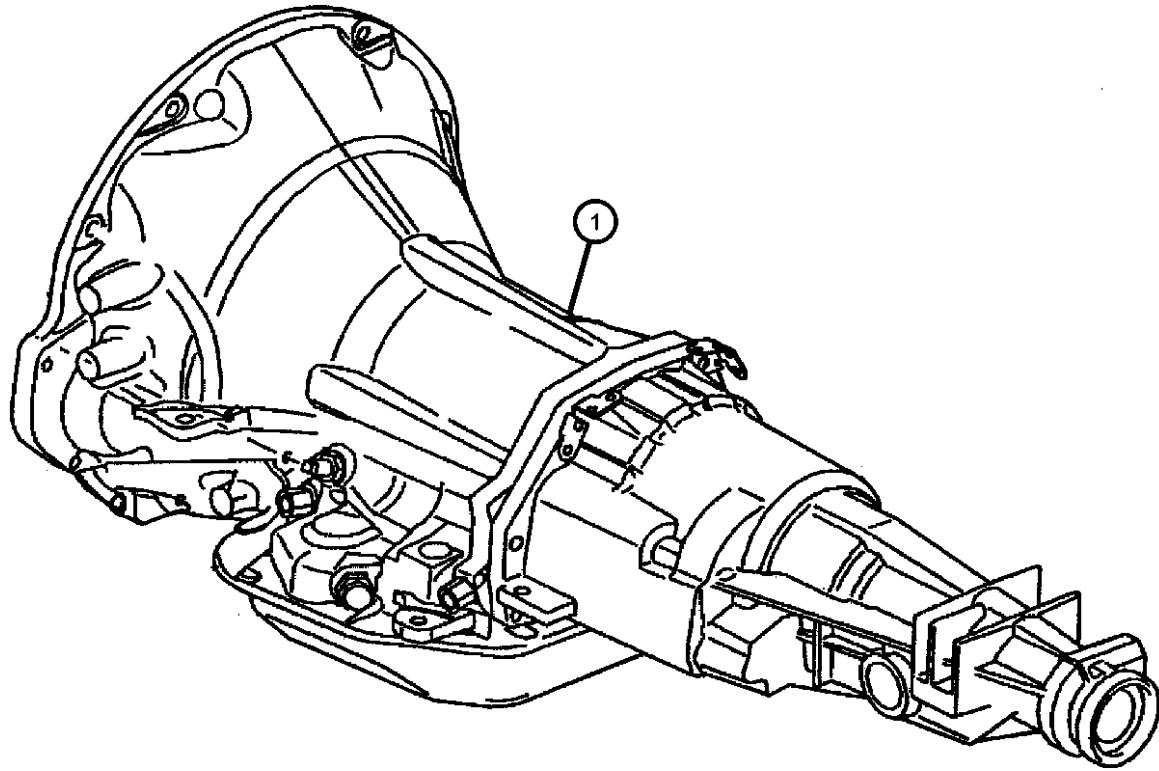
Transmission 30RH (DGD)
Figure 30RH-110

ITEM	PART NUMBER	QTY	LINE	SERIES	BODY	ENGINE	TRANS	TRIM	DESCRIPTION
------	-------------	-----	------	--------	------	--------	-------	------	-------------

Notes:

DGD = 30 RH 3 Speed Automatic Transmission
EP0 = All 2.5L 4 Cylinder Gas Engines

1	05003050AA	1	B, T			EP0	DGD		TRANSMISSION PACKAGE
---	------------	---	------	--	--	-----	-----	--	----------------------



CHEROKEE (XJ)

SERIES

L = LOWLINE

LINE

B = JEEP - 2WD (RHD)
U = JEEP - 4WD (RHD)
T = LHD - (2WD)
J = JEEP - - LHD (4WD)

BODY

72 = 2DR (101.4 WB)
74 = 4 DR (101.4 WB)

ENGINE

ENC = 2.5L 4 Cyl Turbo Diesel Engine
EPE = Engine - 2.5L Power Tech I-4 Cyl.
ERH = 4.0L Power Tech I-6 Engine
ENO = Engines - ALL 4/5 CYL Turbo Diesel
ERO = Engines - All 4.0L 6 Cyl Gas
EP0 = ENGINES - ALL 2.5L 4 CYL GAS

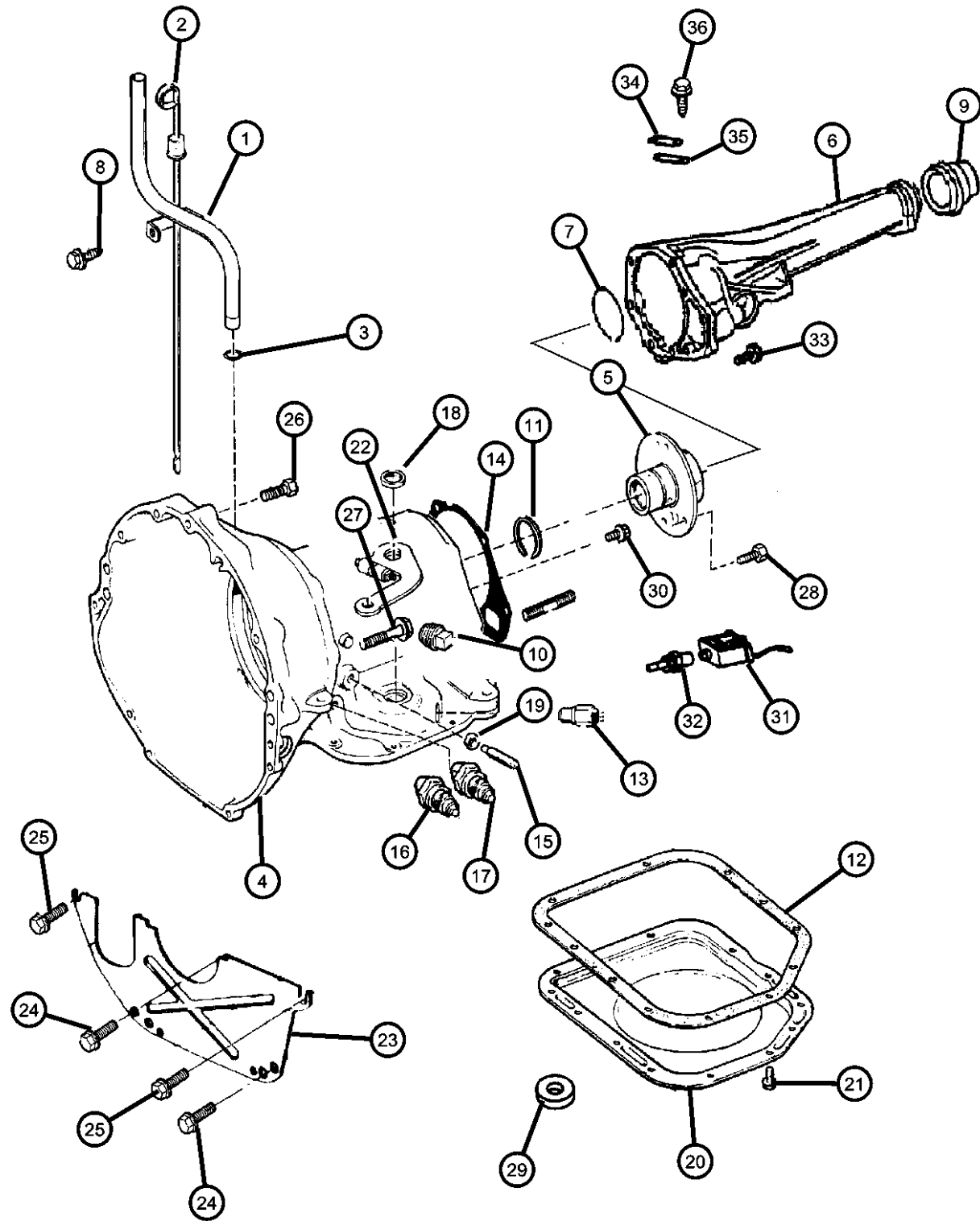
TRANSMISSION

DCB = Transmission - 4-Speed Manual, T3340
DDQ = 5-Speed Manual Transmission
DDX = 5-Speed HD Manual Transmission
DGD = 3-Spd. Automatic 30RH Transmission
DGK = 4-Spd. Automatic 42RE Transmission
DGS = 4-Speed Automatic AW4 Transmission
DGT = 4-Spd. Automatic 46RE Transmission
DGW = TRANSMISSION - 4-SPD. AUTOMATIC, 44RE
DGX = 4-Speed Automatic Transmission
DGY = No Description Available
DGZ = Transmission- 4-Spd. Automatic, MT643
DBB = ALL MANUAL TRANSMISSIONS
DGO = TRANSMISSIONS - ALL AUTOMATIC

AR = use ase required - = Non illustrated part

1998 XJ

Case and Related Parts 30RH (DGD)
Figure 30RH-210



ITEM	PART NUMBER	QTY	LINE	SERIES	BODY	ENGINE	TRANS	TRIM	DESCRIPTION
------	-------------	-----	------	--------	------	--------	-------	------	-------------

Notes:

DG0 = All Automatic Transmissions
DGD = 30 RH 3 Speed Automatic Transmission
EP0 = All 2.5L 4 Cylinder Gas Engines
ER0 = All 4.0L 6 Cylinder Gas Engines

1	52118062	1				EP0, ER0	DG0		TUBE, Transmission Oil Filler
2	52118063	1				EP0	DGD		INDICATOR, Transmission Fluid Level
3	J0940298	1				EP0	DG0		SEAL, Oil Filler Tube
4	52118593	1	B, T			EP0	DGD		CASE, Transmission
5	04431433	1	B, T			EP0	DGD		SUPPORT, Output Shaft
6	52118835AA	1	B, T			EP0	DGD		CASE, Transmission Rear
7	02400185	1	B, T			EP0	DGD		SNAP RING
8	J4001701	AR							SCREW, Hex Self Tapping, .19-16x.50
9	04638941	1	B, T			EP0	DGD		SEAL, Extension
10	06028095	1	B, T			EP0	DGD		PLUG, Pressure Check
11	06033480	1	B, T			EP0	DGD		SNAP RING, Reverse Drum
12	04295875	1	B, T			EP0	DGD		GASKET, Oil Pan
13	56028181	1	B, T			EP0	DGD		SWITCH, Neutral, Safety, Back Up
14	02466954	1	B, T			EP0	DGD		GASKET, Transmission Case
15	01942477	1	B, T			EP0	DGD		SCREW
16	06033879	1	B, T			EP0	DGD		NUT, Inverted Flare, .62-18
17	52028471	1	B, T			EP0	DGD		CONNECTOR, Oil Cooler Tube, .375 Tube x .25 Thread
18	04505098	1	B, T			EP0	DGD		SEAL, Manual Shift Valve, 1.25 OD

CHEROKEE (XJ)

SERIES LINE
L = LOWLINE B = JEEP - 2WD (RHD)
U = JEEP - 4WD (RHD)
T = LHD - (2WD)
J = JEEP - - LHD (4WD)

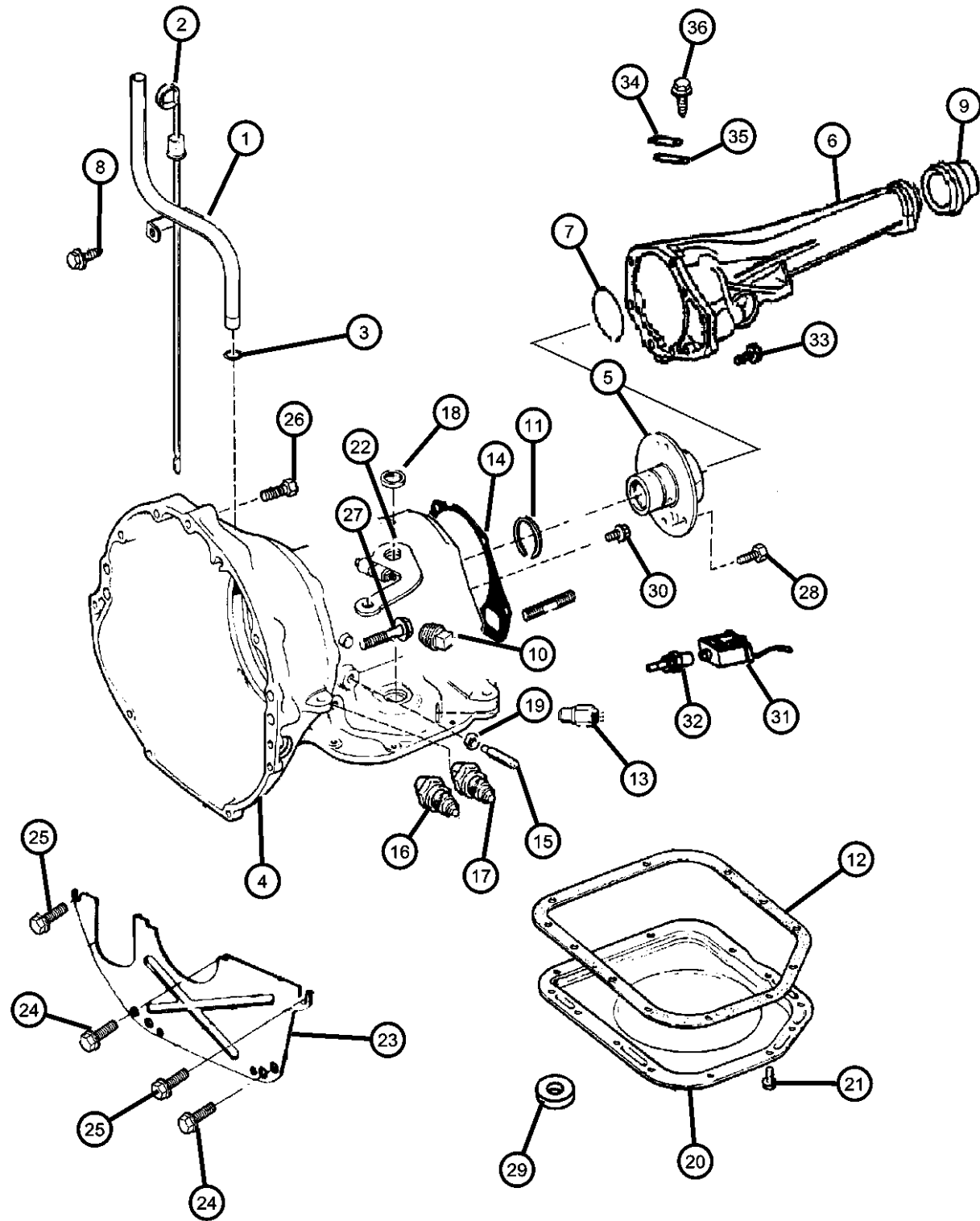
BODY
72 = 2DR (101.4 WB)
74 = 4 DR (101.4 WB)

ENGINE TRANSMISSION
ENC = 2.5L 4 Cyl Turbo Diesel Engine
EPE = Engine - 2.5L Power Tech I-4 Cyl.
ERH = 4.0L Power Tech I-6 Engine
ENO = Engines - ALL 4/5 CYL Turbo Diesel
ERO = Engines - All 4.0L 6 Cyl Gas
EP0 = ENGINES - ALL 2.5L 4 CYL GAS
DCB = Transmission - 4-Speed Manual, T3340
DDQ = 5-Speed Manual Transmission
DDX = 5-Speed HD Manual Transmission
DGD = 3-Spd. Automatic 30RH Transmission
DGK = 4-Spd. Automatic 42RE Transmission
DGS = 4-Speed Automatic AW4 Transmission
DGT = 4-Spd. Automatic 46RE Transmission
DGW = TRANSMISSION - 4-SPD. AUTOMATIC, 44RE
DGX = 4-Speed Automatic Transmission
DGY = No Description Available
DGZ = Transmission- 4-Spd. Automatic, MT643
DBB = ALL MANUAL TRANSMISSIONS
DG0 = TRANSMISSIONS - ALL AUTOMATIC

AR = use ase required - = Non illustrated part

1998 XJ

Case and Related Parts 30RH (DGD)
Figure 30RH-210



ITEM	PART NUMBER	QTY	LINE	SERIES	BODY	ENGINE	TRANS	TRIM	DESCRIPTION
19	04505098	1							NUT, (NOT SERVICED)
20	52118802	1	B, T			EP0	DGD		PAN, Transmission Oil
21	04723548	14	B, T			EP0	DGD		SCREW AND WASHER, Hex Head, .312-18x.625
22	53003090	1	J, T			EP0	DGD		LEVER, Selector
23	02466957	1	B, T			EP0	DGD		COVER, Transmission Converter
24	02466957	1							BOLT, (NOT SERVICED)
25	11502628	2				EP0	DGD		BOLT, Hex Flange Head, M8x1.25x30
26	11502628	2							BOLT, (NOT SERVICED)
27	34201837	1					DGD		BOLT, Hex Flange Head, M12x1.75x90
28	06033479	6	B, T			EP0	DGD		BOLT, Hex Head, .25-28x1-5/8
29	03681601	1	B, T			EP0	DGD		MAGNET, Transmission
30	06033616	5	B, T			EP0	DGD		SCREW, Hex Flange Head, .25-28x.875
31	52118595	1	B, T			EP0	DGD		SOLENOID, Transmission
32	56038235	1	B, T			EP0	DGD		CONNECTOR, Wiring
33	06029531	6	B, T			EP0	DGD		SCREW, Hex Flange Head Lock, .375-16x1.25
34	02466957	1	B, T			EP0	DGD		COVER, Transmission Converter
35	02801398	1	B, T			EP0	DGD		GASKET, Transmission
36	06028022	2	B, T			EP0	DGD		SCREW, Flange Head Locking, .25-20x.62

CHEROKEE (XJ)

SERIES LINE
 L = LOWLINE B = JEEP - 2WD (RHD)
 U = JEEP - 4WD (RHD)
 T = LHD - (2WD)
 J = JEEP - - LHD (4WD)

BODY
 72 = 2DR (101.4 WB)
 74 = 4 DR (101.4 WB)

ENGINE TRANSMISSION
 ENC = 2.5L 4 Cyl Turbo Diesel Engine
 EPE = Engine - 2.5L Power Tech I-4 Cyl.
 ERH = 4.0L Power Tech I-6 Engine
 ENO = Engines - ALL 4/5 CYL Turbo Diesel
 ERO = Engines - All 4.0L 6 Cyl Gas
 EP0 = ENGINES - ALL 2.5L 4 CYL GAS
 DCB = Transmission - 4-Speed Manual, T3340
 DDQ = 5-Speed Manual Transmission
 DDG = 5-Speed HD Manual Transmission
 DGD = 3-Spd. Automatic 30RH Transmission
 DGK = 4-Spd. Automatic 42RE Transmission
 DGS = 4-Speed Automatic AW4 Transmission
 DGT = 4-Spd. Automatic 46RE Transmission
 DGW = TRANSMISSION - 4-SPD. AUTOMATIC, 44RE
 DGX = 4-Speed Automatic Transmission
 DGY = No Description Available
 DGZ = Transmission- 4-Spd. Automatic, MT643
 DBB = ALL MANUAL TRANSMISSIONS
 DGO = TRANSMISSIONS - ALL AUTOMATIC

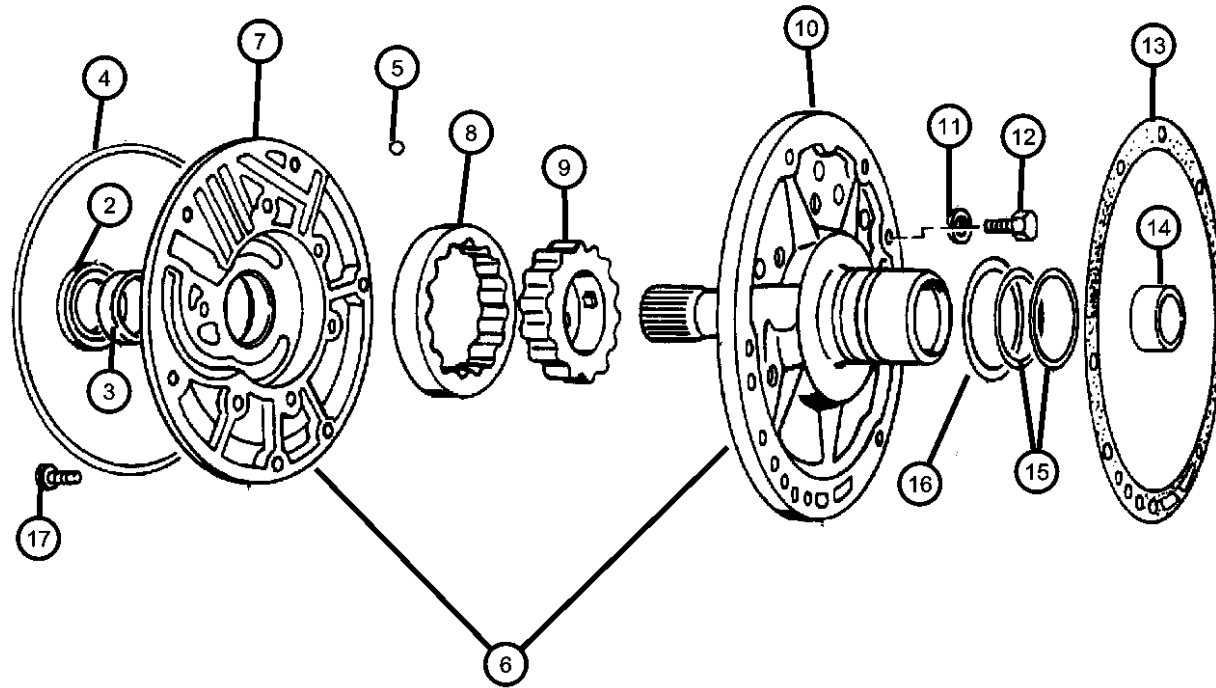
AR = use ase required - = Non illustrated part

1998 XJ

**Oil Pump 30RH (DGD)
Figure 30RH-310**

ITEM	PART NUMBER	QTY	LINE	SERIES	BODY	ENGINE	TRANS	TRIM	DESCRIPTION
-1	04713108	1	B, T			EP0	DGD		GASKET AND SEAL PACKAGE, Transmission Oil Pump
2	04412475	1	B, T			EP0	DGD		SEAL, Impeller Hub, 57.25mm OD
3	02466796	1	B, T			EP0	DGD		BUSHING, Front Pump
4	02204709	1	B, T			EP0	DGD		SEAL, Front Pump Housing
5	00104918	3	B, T			EP0	DGD		BALL, Valve Body Check
6	04778552	1	B, T			EP0	DGD		PUMP, Transmission Oil
7	04778552	1							HOUSING, Pump, (NOT SERVICED)
8	04778552	1							ROTOR, Oil Pump, (NOT SERVICED)
9	04778552	1							ROTOR, Oil Pump, (NOT SERVICED)
10	04778552	1							SHAFT, Oil Pump, (NOT SERVICED)
11	04778552	1							LOCK WASHER, (NOT SERVICED)
12	00179815	6	B, T			EP0	DGD		SCREW, Hex Head, .312-18x.687
13	52118266	1	B, T			EP0	DGD		GASKET, Transmission Oil Pump
14	04058635	1	B, T			EP0	DGD		BUSHING, Reaction Shaft
15	04471874	2	B, T			EP0	DGD		SEAL, Ring Reaction Support, 2 1/16 O.D.
16	04617786	1	B, T			EP0	DGD		THRUST WASHER, Front Clutch
17	06023943	6	B, T			EP0	DGD		SCREW AND WASHER, Hex Flange Head, .312-18x1.375

Notes:
DGD = 30 RH 3 Speed Automatic Transmission
EP0 = All 2.5L 4 Cylinder Gas Engines

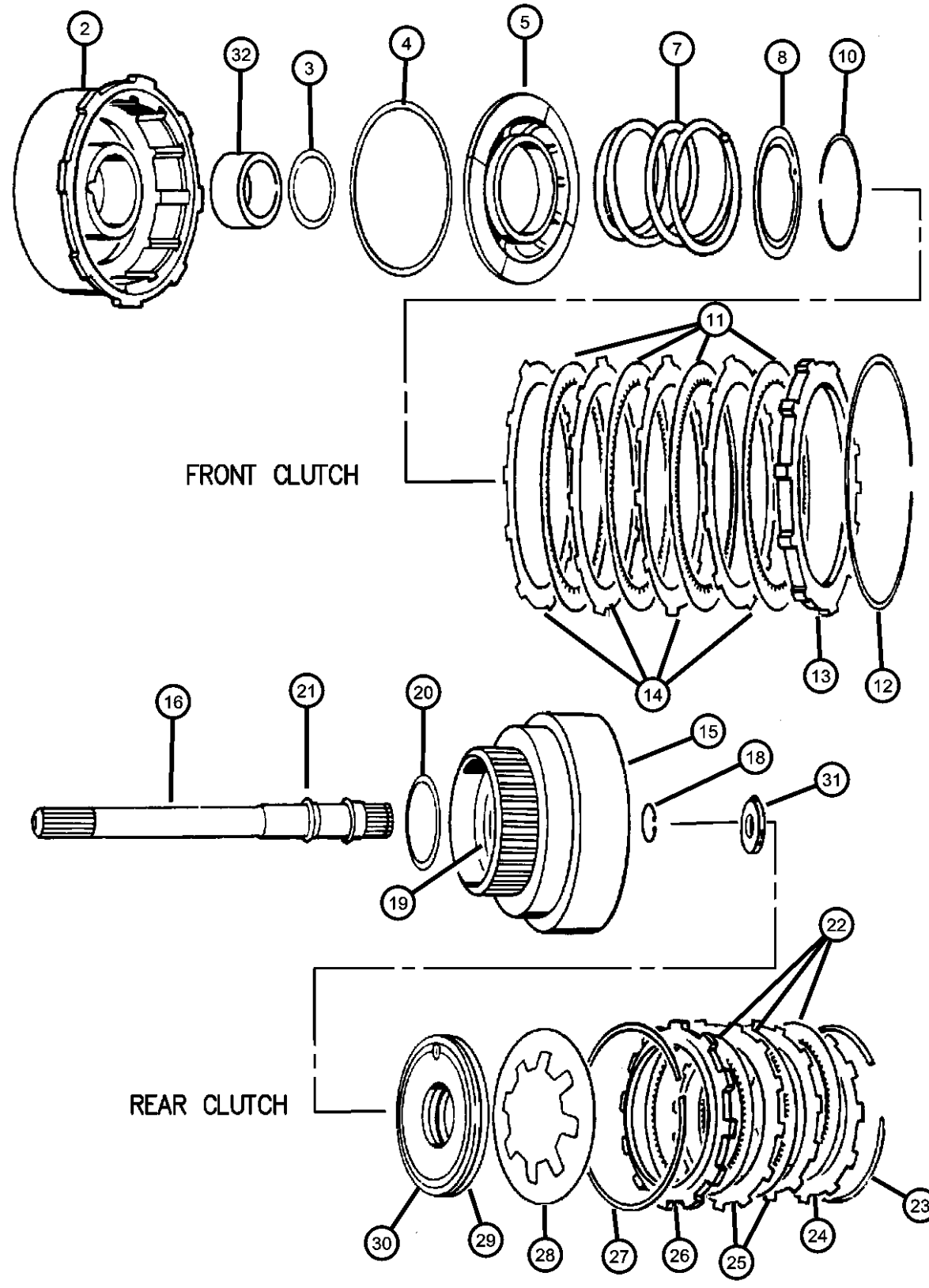


CHEROKEE (XJ)

SERIES	LINE	BODY	ENGINE	TRANSMISSION
L = LOWLINE	B = JEEP - 2WD (RHD) U = JEEP - 4WD (RHD) T = LHD - (2WD) J = JEEP - - LHD (4WD)	72 = 2DR (101.4 WB) 74 = 4 DR (101.4 WB)	ENC = 2.5L 4 Cyl Turbo Diesel Engine EPE = Engine - 2.5L Power Tech I-4 Cyl. ERH = 4.0L Power Tech I-6 Engine ENO = Engines - ALL 4/5 CYL Turbo Diesel ERO = Engines - All 4.0L 6 Cyl Gas EP0 = ENGINES - ALL 2.5L 4 CYL GAS	DCB = Transmission - 4-Speed Manual,T3340 DDQ = 5-Speed Manual Transmission DDX = 5-Speed HD Manual Transmission DGD = 3-Spd. Automatic 30RH Transmission DGK = 4-Spd. Automatic 42RE Transmission DGS = 4-Speed Automatic AW4 Transmission DGT = 4-Spd. Automatic 46RE Transmission DGW = TRANSMISSION - 4-SPD. AUTOMATIC,44RE DGX = 4-Speed Automatic Transmission DGY = No Description Available DGZ = Transmission- 4-Spd. Automatic,MT643 DBB = ALL MANUAL TRANSMISSIONS DGO = TRANSMISSIONS - ALL AUTOMATIC

AR = use ase required - = Non illustrated part

**Gear 30RH (DGD)
Figure 30RH-410**



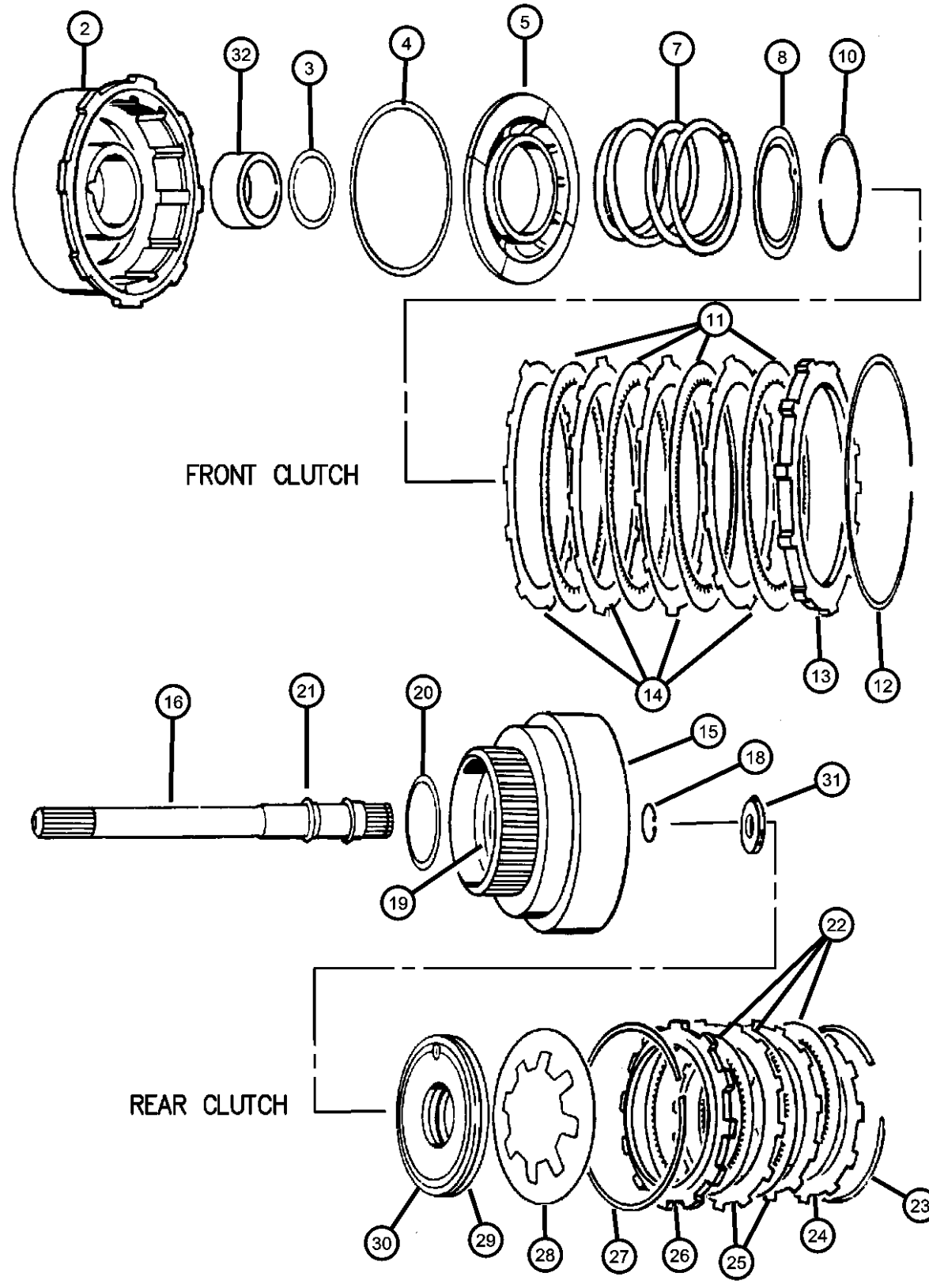
ITEM	PART NUMBER	QTY	LINE	SERIES	BODY	ENGINE	TRANS	TRIM	DESCRIPTION
-1	05252926	1	B, T			EP0	DGD		SEAL PACKAGE, Transmission Clutch
2	04531285	1	B, T			EP0	DGD		RETAINER AND BUSHING, Transmission Front Clutch
3	03515176	1	B, T			EP0	DGD		SEAL, Front Clutch Piston
4	04058487	1	B, T			EP0	DGD		SEAL, Front Piston Clutch
5	03515716	1	B, T			EP0	DGD		PISTON, Clutch
-6	00147483	1	B, T			EP0	DGD		CHECK BALL, Dia-.187
7	03515054	1	B, T			EP0	DGD		SPRING, Front Clutch
8	04617516	1	B, T			EP0	DGD		RETAINER, Transmission Front Clutch Piston Spring
-9	00147483	1	B, T			EP0	DGD		CHECK BALL, Dia-.187
10	01942400	1	B, T			EP0	DGD		SNAP RING
11	04617362	4	B, T			EP0	DGD		DISC, Direct Clutch
12	03410571	1	B, T			EP0	DGD		SNAP RING
13	04617176	1	B, T			EP0	DGD		PLATE, Transmission Clutch Reaction
14	01942403AB	2	B, T			EP0	DGD		PLATE, Clutch Separator
15	02464463	1	B, T			EP0	DGD		RETAINER, Transmission Rear Clutch
16	83506020	1	B, T			EP0	DDQ		SHAFT, Input
-17	00147483	1	B, T			EP0	DGD		CHECK BALL, Dia-.187
18	06022859	1	B, T			EP0	DGD		SNAP RING, .890625

CHEROKEE (XJ)

SERIES	LINE	BODY	ENGINE	TRANSMISSION
L = LOWLINE	B = JEEP - 2WD (RHD) U = JEEP - 4WD (RHD) T = LHD - (2WD) J = JEEP - - LHD (4WD)	72 = 2DR (101.4 WB) 74 = 4 DR (101.4 WB)	ENC = 2.5L 4 Cyl Turbo Diesel Engine EPE = Engine - 2.5L Power Tech I-4 Cyl. ERH = 4.0L Power Tech I-6 Engine ENO = Engines - ALL 4/5 CYL Turbo Diesel ERO = Engines - All 4.0L 6 Cyl Gas EP0 = ENGINES - ALL 2.5L 4 CYL GAS	DCB = Transmission - 4-Speed Manual,T3340 DDQ = 5-Speed Manual Transmission DDX = 5-Speed HD Manual Transmission DGD = 3-Spd. Automatic 30RH Transmission DGK = 4-Spd. Automatic 42RE Transmission DGS = 4-Speed Automatic AW4 Transmission DGT = 4-Spd. Automatic 46RE Transmission DGW = TRANSMISSION - 4-SPD. AUTOMATIC,44RE DGX = 4-Speed Automatic Transmission DGY = No Description Available DGZ = Transmission- 4-Spd. Automatic,MT643 DBB = ALL MANUAL TRANSMISSIONS DGO = TRANSMISSIONS - ALL AUTOMATIC

AR = use ase required - = Non illustrated part

Gear 30RH (DGD)
Figure 30RH-410



ITEM	PART NUMBER	QTY	LINE	SERIES	BODY	ENGINE	TRANS	TRIM	DESCRIPTION
19	04028333	1	B, T			EP0	DGD		SEAL, Rear Clutch, 1.50 ODx.009 Thk
20	04617786	1	B, T			EP0	DGD		THRUST WASHER, Front Clutch
21	01401221	1	B, T			EP0	DGD		SEAL, Input Shaft
22	04713880	3	B, T			EP0	DGD		DISC, Clutch
23	05014226AA	1	B, T			EP0	DGD		SNAP RING PACKAGE, Transmission
24	04617176	1	B, T			EP0	DGD		PLATE, Transmission Clutch Reaction
25	01942403AB	2	B, T			EP0	DGD		PLATE, Clutch Separator
26	02466281	1	B, T			EP0	DGD		PLATE, Clutch Pressure
27	02466283	1	B, T			EP0	DGD		SPRING, Rear Clutch
28	04728487	1	B, T			EP0	DGD		SPRING, Rear Clutch Piston
29	02538510	1	B, T			EP0	DGD		SEAL, Rear Clutch Piston
30	03515716	1	B, T			EP0	DGD		PISTON, Clutch
31	04505185	1	B, T			EP0	DGD		THRUST WASHER, Output Shaft, Gray .052
32	04617157	1	B, T			EP0	DGD		BUSHING, Front Clutch

CHEROKEE (XJ)

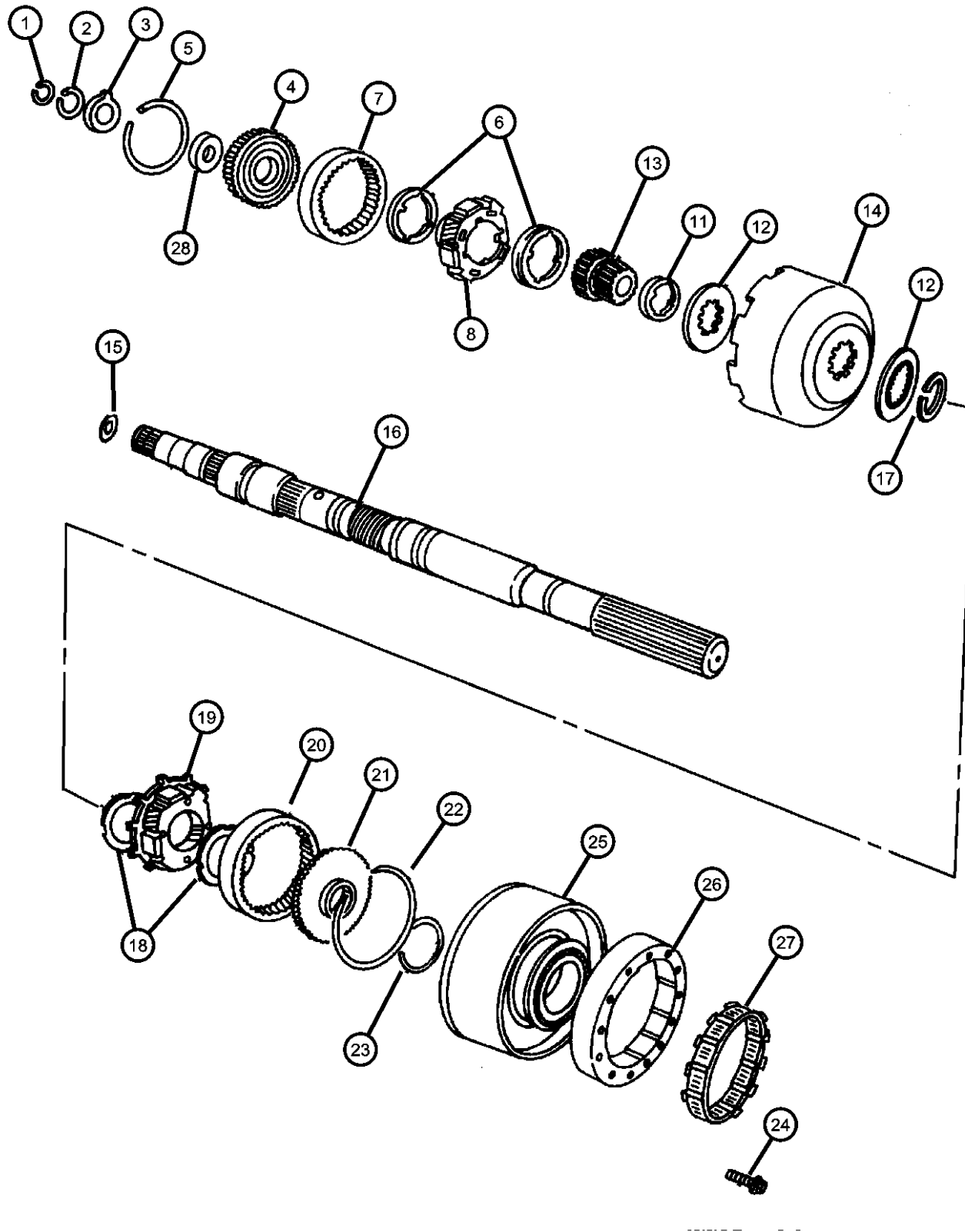
SERIES LINE
 L = LOWLINE B = JEEP - 2WD (RHD)
 U = JEEP - 4WD (RHD)
 T = LHD - (2WD)
 J = JEEP - - LHD (4WD)

BODY
 72 = 2DR (101.4 WB)
 74 = 4 DR (101.4 WB)

ENGINE TRANSMISSION
 ENC = 2.5L 4 Cyl Turbo Diesel Engine DCB = Transmission - 4-Speed Manual,T3340
 EPE = Engine - 2.5L Power Tech I-4 Cyl. DDQ = 5-Speed Manual Transmission
 ERH = 4.0L Power Tech I-6 Engine DDX = 5-Speed HD Manual Transmission
 ENO = Engines - ALL 4/5 CYL Turbo Diesel DGD = 3-Spd. Automatic 30RH Transmission
 ERO = Engines - All 4.0L 6 Cyl Gas DGK = 4-Spd. Automatic 42RE Transmission
 EP0 = ENGINES - ALL 2.5L 4 CYL GAS DGS = 4-Speed Automatic AW4 Transmission
 DGT = 4-Spd. Automatic 46RE Transmission
 DGW = TRANSMISSION - 4-SPD. AUTOMATIC,44RE
 DGX = 4-Speed Automatic Transmission
 DGY = No Description Available
 DGZ = Transmission- 4-Spd. Automatic,MT643
 DBB = ALL MANUAL TRANSMISSIONS
 DGO = TRANSMISSIONS - ALL AUTOMATIC

AR = use ase required - = Non illustrated part

**Gear 30RH (DGD)
Figure 30RH-420**



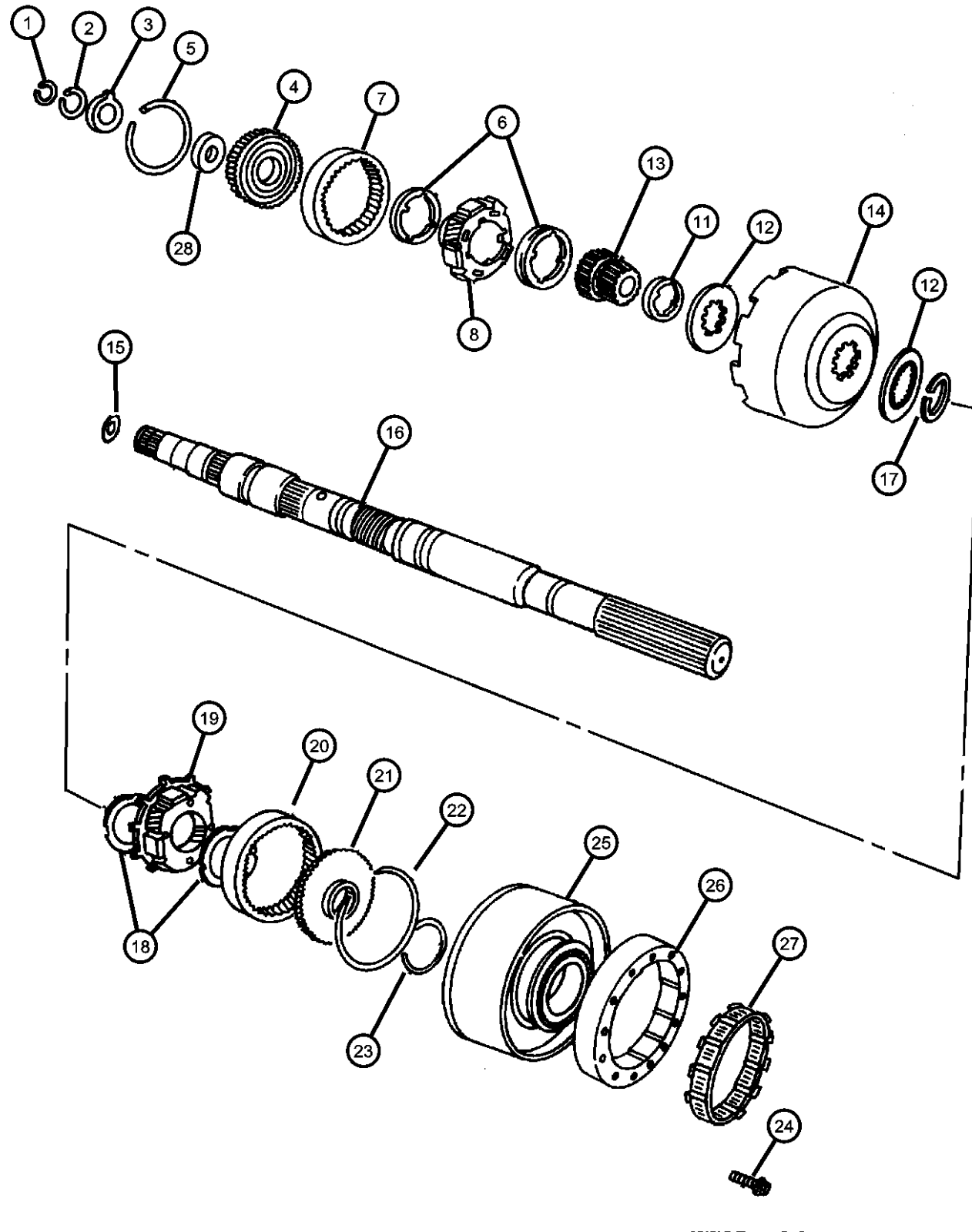
ITEM	PART NUMBER	QTY	LINE	SERIES	BODY	ENGINE	TRANS	TRIM	DESCRIPTION
1	06026289	1	B, T			EP0	DGD		SNAP RING, .946 ID
2	06030576	1	B, T			EP0	DGD		SNAP RING, Annulus Gear, 1.375 ID
3	03681969	1	B, T			EP0	DGD		THRUST WASHER, Annulus Gear
4	04617774	1	B, T			EP0	DGD		SUPPORT, Annulus Gear
5	06030576	1	B, T			EP0	DGD		SNAP RING, Annulus Gear, 1.375 ID
6	04130518	2	B, T			EP0	DGD		THRUST WASHER, Planetary Carrier
7	04130512	1	B, T			EP0	DGD		GEAR, Front Annulus
8	04130514	1	B, T			EP0	DGD		CARRIER, Planetary Pinion
9	03681949	8	B, T			EP0	DGD		THRUST WASHER, Planet Pinion
10	03743664	76	B, T			EP0	DGD		ROLLER, Front and Rear Pinion
11	04130736	1	B, T			EP0	DGD		SPACER, Sun Gear
12	04471566	2	B, T			EP0	DGD		PLATE, Transmission Module
13	04130685	1	B, T			EP0	DGD		GEAR, Sun
14	04531288	1	B, T			EP0	DGD		SHELL, Sun Gear
15	04505188	1	B, T			EP0	DGD		PLATE, Transmission Module
16	04617318	1	B, T			EP0	DGD		MAINSHAFT, Transmission
17	01942439	1	B, T			EP0	DGD		SNAP RING, Sun Gear Shell
18	04130518	2	B, T			EP0	DGD		THRUST WASHER, Planetary Carrier
19	04431438	1	B, T			EP0	DGD		CARRIER, Planetary Pinion

Notes:
DGD = 30 RH 3 Speed Automatic Transmission
EP0 = All 2.5L 4 Cylinder Gas Engines

CHEROKEE (XJ)
 SERIES LINE BODY ENGINE TRANSMISSION
 L = LOWLINE B = JEEP - 2WD (RHD) 72 = 2DR (101.4 WB) ENC = 2.5L 4 Cyl Turbo Diesel DCB = Transmission - 4-Speed Manual,T3340
 U = JEEP - 4WD (RHD) 74 = 4 DR (101.4 WB) EPE = Engine - 2.5L Power Tech I-4 Cyl. DDQ = 5-Speed Manual Transmission
 T = LHD - (2WD) ERH = 4.0L Power Tech I-6 Engine DDX = 5-Speed HD Manual Transmission
 J = JEEP - - LHD (4WD) ENO = Engines - ALL 4/5 CYL Turbo Diesel DGD = 3-Spd. Automatic 30RH Transmission
 ERO = Engines - All 4.0L 6 Cyl Gas DGK = 4-Spd. Automatic 42RE Transmission
 EP0 = ENGINES - ALL 2.5L 4 CYL GAS DGS = 4-Speed Automatic AW4 Transmission
 DGT = 4-Spd. Automatic 46RE Transmission
 DGW = TRANSMISSION - 4-SPD. AUTOMATIC,44RE
 DGX = 4-Speed Automatic Transmission
 DGY = No Description Available
 DGZ = Transmission- 4-Spd. Automatic,MT643
 DBB = ALL MANUAL TRANSMISSIONS
 DGO = TRANSMISSIONS - ALL AUTOMATIC

AR = use ase required - = Non illustrated part

**Gear 30RH (DGD)
Figure 30RH-420**



ITEM	PART NUMBER	QTY	LINE	SERIES	BODY	ENGINE	TRANS	TRIM	DESCRIPTION
20	03743184	1	B, T			EP0	DGD		GEAR, Rear Annulus
21	03515501	1	B, T			EP0	DGD		SUPPORT, Annulus Gear
22	01942444	1	B, T			EP0	DGD		SNAP RING
23	06033480	1	B, T			EP0	DGD		SNAP RING, Reverse Drum
24	06033616	5	B, T			EP0	DGD		SCREW, Hex Flange Head, .25-28x.875
25	04637956	1	B, T			EP0	DGD		DRUM PACKAGE, Transmission
26	04431690	1	B, T			EP0	DGD		CAM, Overrunning Clutch
27	04431432	1	B, T			EP0	DGD		CLUTCH, Overrunning
28	04617775	1	B, T			EP0	DGD		PLATE, Annulus Gear Thrust

CHEROKEE (XJ)

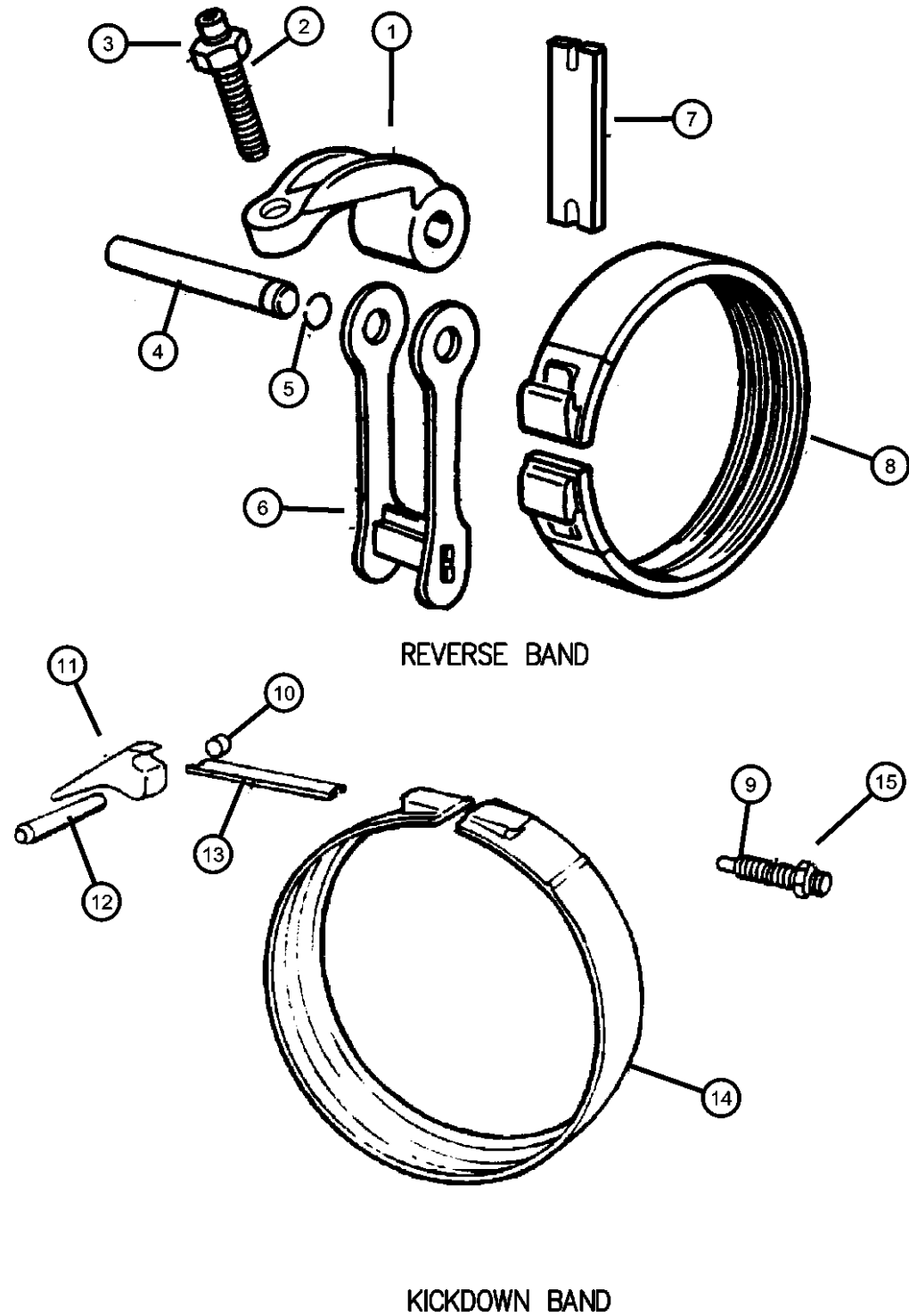
SERIES LINE
 L = LOWLINE B = JEEP - 2WD (RHD)
 U = JEEP - 4WD (RHD)
 T = LHD - (2WD)
 J = JEEP - - LHD (4WD)

BODY
 72 = 2DR (101.4 WB)
 74 = 4 DR (101.4 WB)

ENGINE TRANSMISSION
 ENC = 2.5L 4 Cyl Turbo Diesel Engine DCB = Transmission - 4-Speed Manual, T3340
 EPE = Engine - 2.5L Power Tech I-4 Cyl. DDQ = 5-Speed Manual Transmission
 ERH = 4.0L Power Tech I-6 Engine DDG = 5-Speed HD Manual Transmission
 ENO = Engines - ALL 4/5 CYL Turbo Diesel DGD = 3-Spd. Automatic 30RH Transmission
 ERO = Engines - All 4.0L 6 Cyl Gas DGK = 4-Spd. Automatic 42RE Transmission
 EP0 = ENGINES - ALL 2.5L 4 CYL GAS DGS = 4-Speed Automatic AW4 Transmission
 DGT = 4-Spd. Automatic 46RE Transmission
 DGW = TRANSMISSION - 4-SPD. AUTOMATIC, 44RE
 DGX = 4-Speed Automatic Transmission
 DGY = No Description Available
 DGZ = Transmission- 4-Spd. Automatic, MT643
 DBB = ALL MANUAL TRANSMISSIONS
 DGO = TRANSMISSIONS - ALL AUTOMATIC

AR = use ase required - = Non illustrated part

**Bands 30RH (DGD)
Figure 30RH-510**



ITEM	PART NUMBER	QTY	LINE	SERIES	BODY	ENGINE	TRANS	TRIM	DESCRIPTION
Notes: DGD = 30 RH 3 Speed Automatic Transmission EP0 = All 2.5L 4 Cylinder Gas Engines									
1	03681139	1	B, T			EP0	DGD		LEVER, Reverse Band
2	06030704	1	B, T			EP0	DGD		SCREW, Cap, .437-20x1.812
3	00271506	1	B, T			EP0	DGD		NUT, Hex, .42-20
4	03410102	1	B, T			EP0	DGD		SHAFT, Reverse Band
5	06030657	1	B, T			EP0	DGD		O RING, Steering Gear
6	02464439	1	B, T			EP0	DGD		LINK, Transmission Reverse Band
7	03515589	1	B, T			EP0	DGD		STRUT, Reverse Band
8	04431405	1	B, T			EP0	DGD		BAND, Reverse
9	06036037AA	1	B, T			EP0	DGD		SCREW
10	06036037AA	1							PLUG, (NOT SERVICED)
11	02125067	1	B, T			EP0	DGD		LEVER, Kickdown
12	04531181	1	B, T			EP0	DGD		SHAFT, Band Lever
13	03515084	1	B, T			EP0	DGD		STRUT, Kickdown Band
14	04617849	1	B, T			EP0	DGD		BAND, Kickdown
15	00124934	1	B, T			EP0	DGD		NUT, Hex Jam, .50-20

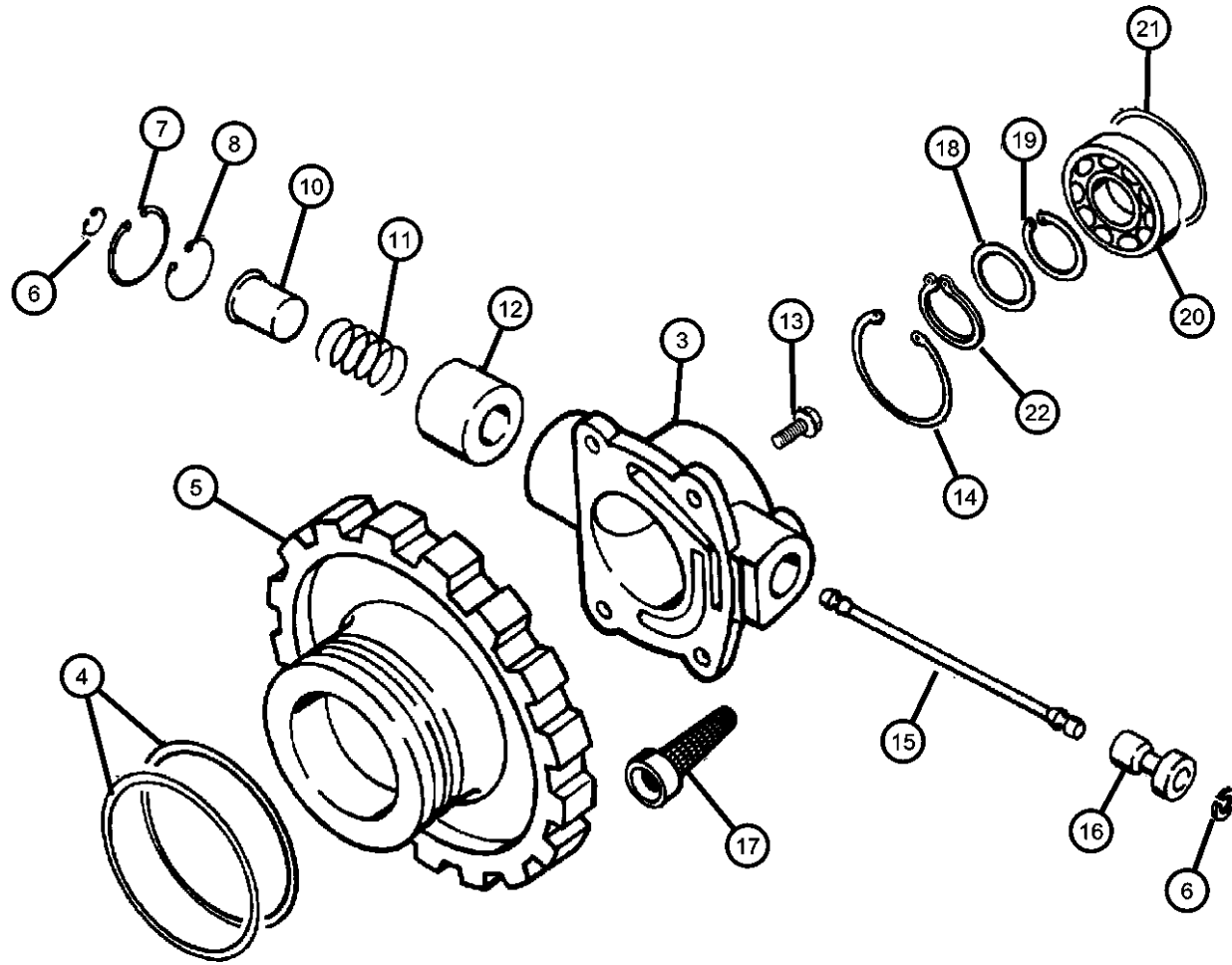
CHEROKEE (XJ)

SERIES	LINE	BODY	ENGINE	TRANSMISSION
L = LOWLINE	B = JEEP - 2WD (RHD) U = JEEP - 4WD (RHD) T = LHD - (2WD) J = JEEP - - LHD (4WD)	72 = 2DR (101.4 WB) 74 = 4 DR (101.4 WB)	ENC = 2.5L 4 Cyl Turbo Diesel Engine EPE = Engine - 2.5L Power Tech I-4 Cyl. ERH = 4.0L Power Tech I-6 Engine ENO = Engines - ALL 4/5 CYL Turbo Diesel ERO = Engines - All 4.0L 6 Cyl Gas EP0 = ENGINES - ALL 2.5L 4 CYL GAS	DCB = Transmission - 4-Speed Manual,T3340 DDQ = 5-Speed Manual Transmission DDX = 5-Speed HD Manual Transmission DGD = 3-Spd. Automatic 30RH Transmission DGK = 4-Spd. Automatic 42RE Transmission DGS = 4-Speed Automatic AW4 Transmission DGT = 4-Spd. Automatic 46RE Transmission DGW = TRANSMISSION - 4-SPD. AUTOMATIC,44RE DGX = 4-Speed Automatic Transmission DGY = No Description Available DGZ = Transmission- 4-Spd. Automatic,MT643 DBB = ALL MANUAL TRANSMISSIONS DGO = TRANSMISSIONS - ALL AUTOMATIC

AR = use ase required - = Non illustrated part

**Governor 30RH (DGD)
Figure 30RH-610**

ITEM	PART NUMBER	QTY	LINE	SERIES	BODY	ENGINE	TRANS	TRIM	DESCRIPTION
19	06029675	1	B, T			EP0	DGD		SNAP RING, Output Shaft, 1.125 OD
20	03410465	1	B, T			EP0	DGD		BEARING, Output Shaft
21	03410465	1							O RING, Output Shaft Bearing, Transmission, (NOT SERVICED)
22	06031392	1	B, T			EP0	DGD		SNAP RING, Brake Master Cylinder



CHEROKEE (XJ)

SERIES LINE
 L = LOWLINE B = JEEP - 2WD (RHD)
 U = JEEP - 4WD (RHD)
 T = LHD - (2WD)
 J = JEEP - - LHD (4WD)

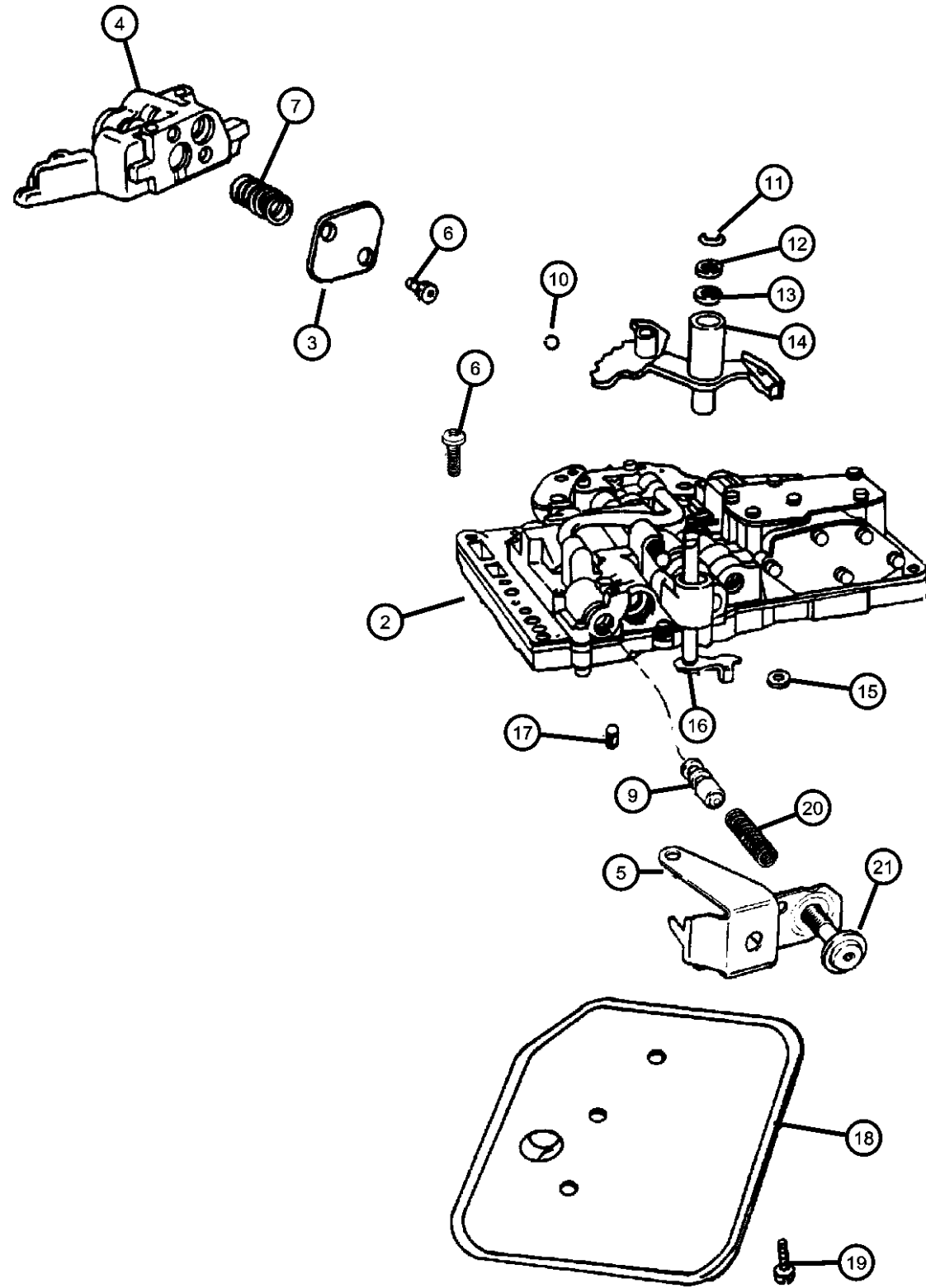
BODY
 72 = 2DR (101.4 WB)
 74 = 4 DR (101.4 WB)

ENGINE TRANSMISSION
 ENC = 2.5L 4 Cyl Turbo Diesel Engine DCB = Transmission - 4-Speed Manual,T3340
 EPE = Engine - 2.5L Power Tech I-4 Cyl. DDQ = 5-Speed Manual Transmission
 ERH = 4.0L Power Tech I-6 Transmission DDX = 5-Speed HD Manual Transmission
 Engine DGD = 3-Spd. Automatic 30RH Transmission
 ENO = Engines - ALL 4/5 CYL Turbo Diesel DGK = 4-Spd. Automatic 42RE Transmission
 ERO = Engines - All 4.0L 6 Cyl Gas DGS = 4-Speed Automatic AW4 Transmission
 EP0 = ENGINES - ALL 2.5L 4 CYL GAS DGT = 4-Spd. Automatic 46RE Transmission
 DGW = TRANSMISSION - 4-SPD. AUTOMATIC,44RE
 DGX = 4-Speed Automatic Transmission
 DGY = No Description Available
 DGZ = Transmission- 4-Spd. Automatic,MT643
 DBB = ALL MANUAL TRANSMISSIONS
 DGO = TRANSMISSIONS - ALL AUTOMATIC

AR = use ase required - = Non illustrated part

1998 XJ

Valve Body 30 RH (DGD)
Figure 30RH-710



ITEM	PART NUMBER	QTY	LINE	SERIES	BODY	ENGINE	TRANS	TRIM	DESCRIPTION
19	06033826	3	B, T			EP0	DGD		SCREW AND WASHER, Oil Filter Mounting, Fillester Head .190-24x2.500
20	04130492	1	B, T			EP0	DGD		SPRING, Switch Valve
21	06030609	1	B, T			EP0	DGD		SCREW, Cap Head Lock, .312-24x1.25

CHEROKEE (XJ)

SERIES LINE
 L = LOWLINE B = JEEP - 2WD (RHD)
 U = JEEP - 4WD (RHD)
 T = LHD - (2WD)
 J = JEEP - - LHD (4WD)

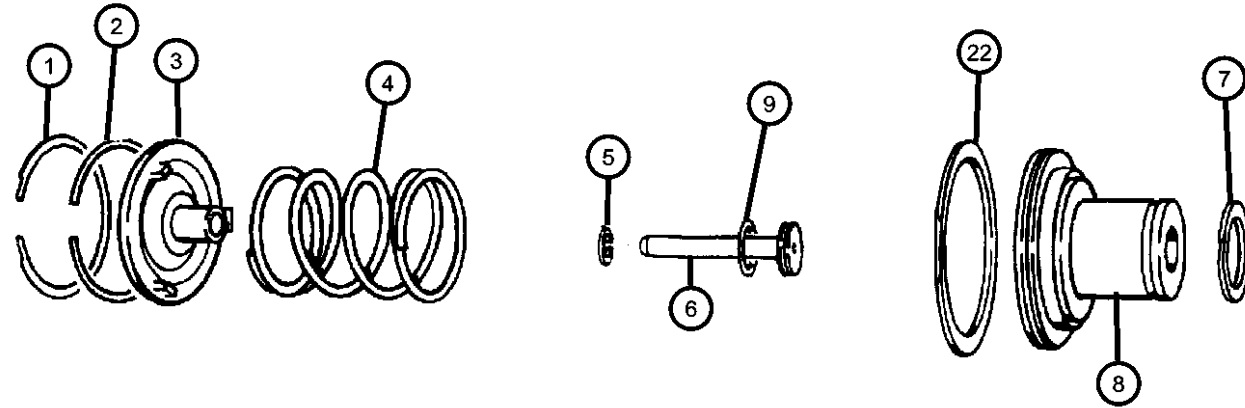
BODY
 72 = 2DR (101.4 WB)
 74 = 4 DR (101.4 WB)

ENGINE TRANSMISSION
 ENC = 2.5L 4 Cyl Turbo Diesel Engine DCB = Transmission - 4-Speed Manual,T3340
 EPE = Engine - 2.5L Power Tech I-4 Cyl. DDQ = 5-Speed Manual Transmission
 ERH = 4.0L Power Tech I-6 Transmission DDX = 5-Speed HD Manual Transmission
 Engine DGD = 3-Spd. Automatic 30RH Transmission
 ENO = Engines - ALL 4/5 CYL Turbo Diesel DGK = 4-Spd. Automatic 42RE Transmission
 ERO = Engines - All 4.0L 6 Cyl Gas DGS = 4-Speed Automatic AW4 Transmission
 EP0 = ENGINES - ALL 2.5L 4 CYL GAS DGT = 4-Spd. Automatic 46RE Transmission
 DGW = TRANSMISSION - 4-SPD. AUTOMATIC,44RE
 DGX = 4-Speed Automatic Transmission
 DGY = No Description Available
 DGZ = Transmission- 4-Spd. Automatic,MT643
 DBB = ALL MANUAL TRANSMISSIONS
 DGO = TRANSMISSIONS - ALL AUTOMATIC

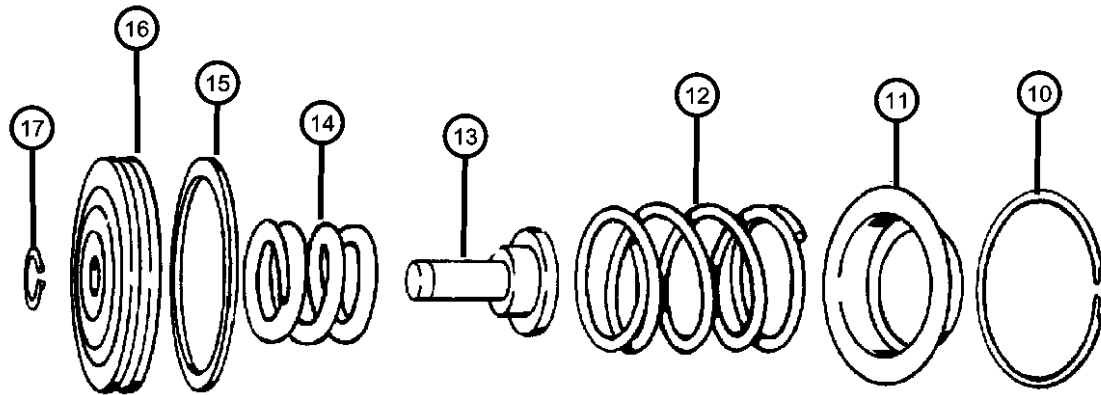
AR = use ase required - = Non illustrated part

1998 XJ

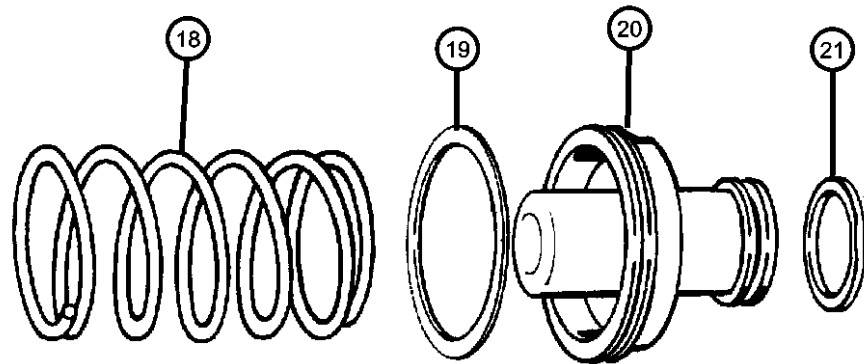
Servos 30RH (DGD)
Figure 30RH-720



KICKDOWN SERVO



LOW AND REVERSE SERVO



ACCUMULATOR PISTON AND SPRING

ITEM	PART NUMBER	QTY	LINE	SERIES	BODY	ENGINE	TRANS	TRIM	DESCRIPTION
1	01942486	1	B, T			EP0	DGD		SNAP RING
2	03743014	1	B, T			EP0	DGD		SEAL, Kickdown Servo
3	01942485	1	B, T			EP0	DGD		GUIDE, Kickdown Servo
4	01942485	1							SPRING, Kickdown Servo Piston, (NOT SERVICED)
5	06025031	1	B, T			EP0	DGD		SNAP RING, 1.205 OD
6	04058943	1	B, T			EP0	DGD		ROD, Kickdown Servo Piston
7	04295965	1	B, T			EP0	DGD		SEAL, Kickdown Servo
8	04058942	1	B, T			EP0	DGD		PISTON, Kickdown Servo
9	06031410	1	B, T			EP0	DGD		O RING, Trans Kickdown Servo
10	02464464	1	B, T			EP0	DGD		SNAP RING
11	02464463	1	B, T			EP0	DGD		RETAINER, Transmission Rear Clutch
12	02801274	1	B, T			EP0	DGD		SPRING, Reverse Servo Piston
13	52118741	1	B, T			EP0	DGD		PLUG, Reverse Servo Piston
14	03743580	1	B, T			EP0	DGD		SPRING, Reverse Servo Piston
15	04202864	1	B, T			EP0	DGD		SEAL, Reverse Servo Piston
16	52118744	1	B, T			EP0	DGD		PISTON, Reverse Servo
17	06027153	1	B, T			EP0	DGD		SNAP RING, .435 ID
18	04531259	1	B, T			EP0	DGD		SPRING, Transmission Accumulator
19	03743013	1	B, T			EP0	DGD		SEAL, Piston Accumulator

Notes:

DGD = 30 RH 3 Speed Automatic Transmission

EP0 = All 2.5L 4 Cylinder Gas Engines

CHEROKEE (XJ)

SERIES

L = LOWLINE

LINE

B = JEEP - 2WD (RHD)

U = JEEP - 4WD (RHD)

T = LHD - (2WD)

J = JEEP - - LHD (4WD)

BODY

72 = 2DR (101.4 WB)

74 = 4 DR (101.4 WB)

ENGINE

ENC = 2.5L 4 Cyl Turbo Diesel Engine

EPE = Engine - 2.5L Power Tech I-4 Cyl.

ERH = 4.0L Power Tech I-6 Engine

ENO = Engines - ALL 4/5 CYL Turbo Diesel

ERO = Engines - All 4.0L 6 Cyl Gas

EP0 = ENGINES - ALL 2.5L 4 CYL GAS

TRANSMISSION

DCB = Transmission - 4-Speed Manual, T3340

DDQ = 5-Speed Manual Transmission

DDX = 5-Speed HD Manual Transmission

DGD = 3-Spd. Automatic 30RH Transmission

DGK = 4-Spd. Automatic 42RE Transmission

DGS = 4-Speed Automatic AW4 Transmission

DGT = 4-Spd. Automatic 46RE Transmission

DGW = TRANSMISSION - 4-SPD. AUTOMATIC, 44RE

DGX = 4-Speed Automatic Transmission

DGY = No Description Available

DGZ = Transmission- 4-Spd. Automatic, MT643

DBB = ALL MANUAL TRANSMISSIONS

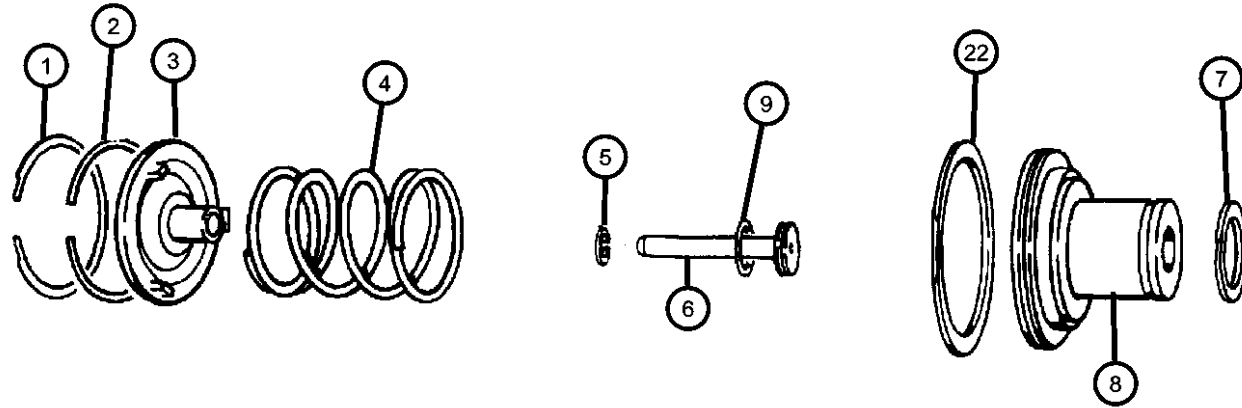
DG0 = TRANSMISSIONS - ALL AUTOMATIC

AR = use ase required - = Non illustrated part

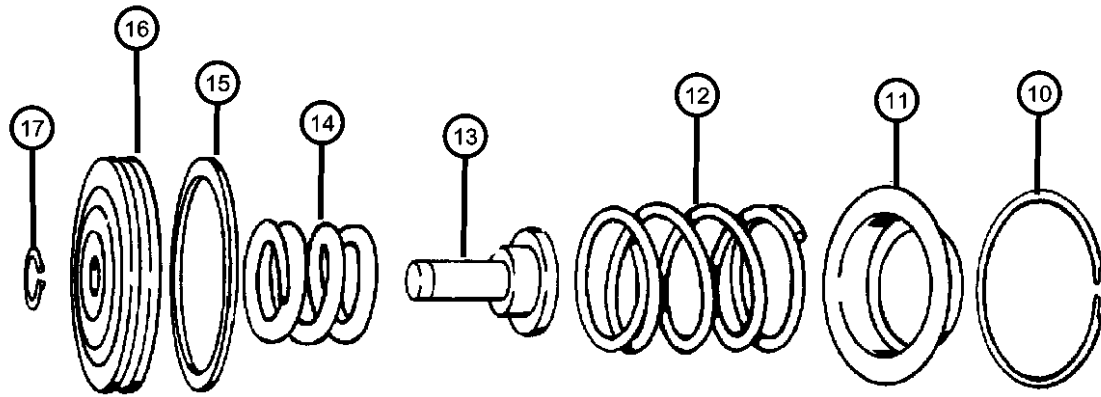
1998 XJ

Servos 30RH (DGD)
Figure 30RH-720

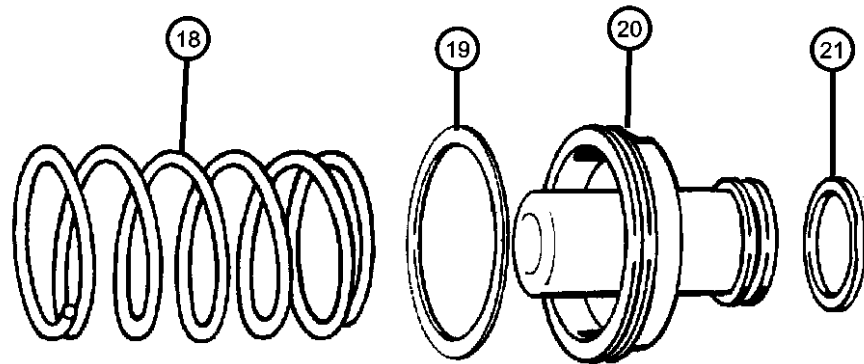
ITEM	PART NUMBER	QTY	LINE	SERIES	BODY	ENGINE	TRANS	TRIM	DESCRIPTION
20	03743650	1	B, T			EP0	DGD		PISTON, Accumulator
21	03743010	1	B, T			EP0	DGD		SEAL, Piston Accumulator
22	01636470	1	B, T			EP0	DGD		SEAL, Servo Piston



KICKDOWN SERVO



LOW AND REVERSE SERVO



ACCUMULATOR PISTON AND SPRING

CHEROKEE (XJ)

SERIES

L = LOWLINE
B = JEEP - 2WD (RHD)
U = JEEP - 4WD (RHD)
T = LHD - (2WD)
J = JEEP - - LHD (4WD)

LINE

BODY

72 = 2DR (101.4 WB)
74 = 4 DR (101.4 WB)

ENGINE

ENC = 2.5L 4 Cyl Turbo Diesel Engine
EPE = Engine - 2.5L Power Tech I-4 Cyl.
ERH = 4.0L Power Tech I-6 Engine
ENO = Engines - ALL 4/5 CYL Turbo Diesel
ERO = Engines - All 4.0L 6 Cyl Gas
EP0 = ENGINES - ALL 2.5L 4 CYL GAS

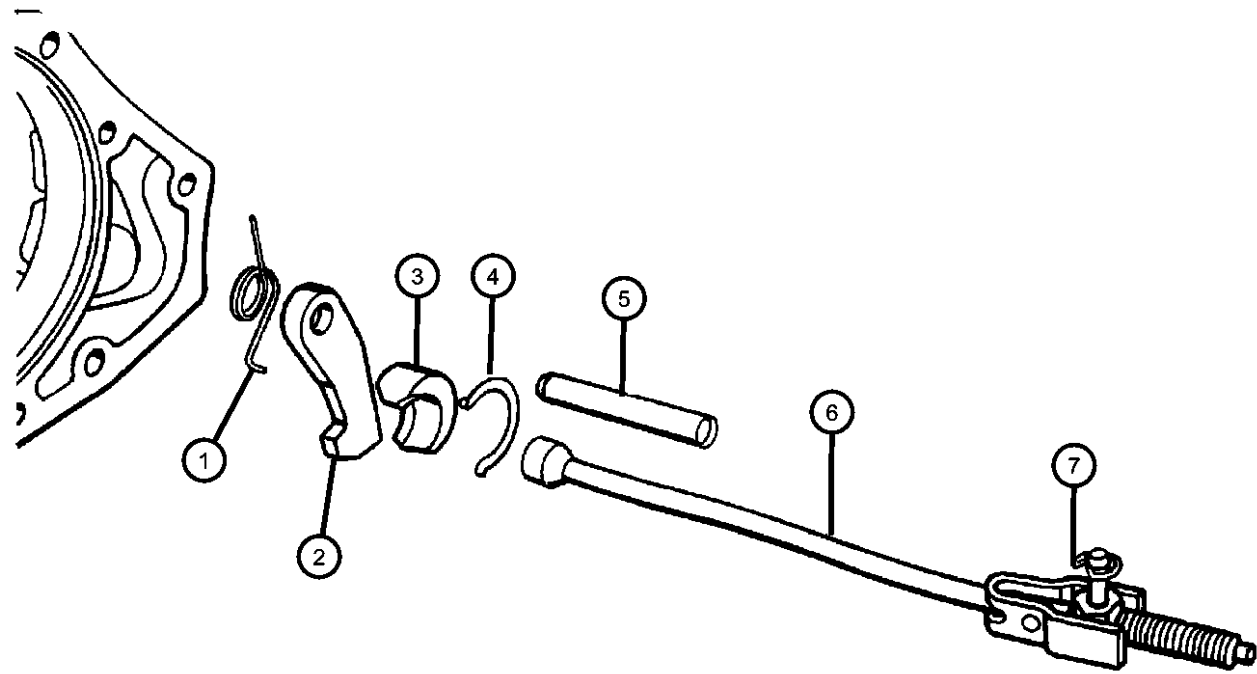
TRANSMISSION

DCB = Transmission - 4-Speed Manual, T3340
DDQ = 5-Speed Manual Transmission
DDX = 5-Speed HD Manual Transmission
DGD = 3-Spd. Automatic 30RH Transmission
DGK = 4-Spd. Automatic 42RE Transmission
DGS = 4-Speed Automatic AW4 Transmission
DGT = 4-Spd. Automatic 46RE Transmission
DGW = TRANSMISSION - 4-SPD. AUTOMATIC, 44RE
DGX = 4-Speed Automatic Transmission
DGY = No Description Available
DGZ = Transmission- 4-Spd. Automatic, MT643
DBB = ALL MANUAL TRANSMISSIONS
DGO = TRANSMISSIONS - ALL AUTOMATIC

AR = use ase required - = Non illustrated part

1998 XJ

**Parking Sprag 30RH (DGD)
Figure 30RH-730**



ITEM	PART NUMBER	QTY	LINE	SERIES	BODY	ENGINE	TRANS	TRIM	DESCRIPTION
1	02466909	1	B, T			EP0	DGD		SPRING, Parking Sprag
2	04471415	1	B, T			EP0	DGD		SPRAG, Transmission Parking
3	02538042	1	B, T			EP0	DGD		PLUG, Parking Sprag
4	02538034	1	B, T			EP0	DGD		SNAP RING, Transmission
5	02466892	1	B, T			EP0	DGD		SHAFT, Parking Sprag
6	02466906	1	B, T			EP0	DGD		ROD, Parking Sprag
7	06035256	1	B, T			EP0	DGD		SNAP RING, Rod

Notes:
DGD = 30 RH 3 Speed Automatic Transmission
EP0 = All 2.5L 4 Cylinder Gas Engines

CHEROKEE (XJ)

SERIES	LINE	BODY	ENGINE	TRANSMISSION
L = LOWLINE	B = JEEP - 2WD (RHD) U = JEEP - 4WD (RHD) T = LHD - (2WD) J = JEEP - - LHD (4WD)	72 = 2DR (101.4 WB) 74 = 4 DR (101.4 WB)	ENC = 2.5L 4 Cyl Turbo Diesel Engine EPE = Engine - 2.5L Power Tech I-4 Cyl. ERH = 4.0L Power Tech I-6 Engine ENO = Engines - ALL 4/5 CYL Turbo Diesel ERO = Engines - All 4.0L 6 Cyl Gas EP0 = ENGINES - ALL 2.5L 4 CYL GAS	DCB = Transmission - 4-Speed Manual,T3340 DDQ = 5-Speed Manual Transmission DDX = 5-Speed HD Manual Transmission DGD = 3-Spd. Automatic 30RH Transmission DGK = 4-Spd. Automatic 42RE Transmission DGS = 4-Speed Automatic AW4 Transmission DGT = 4-Spd. Automatic 46RE Transmission DGW = TRANSMISSION - 4-SPD. AUTOMATIC,44RE DGX = 4-Speed Automatic Transmission DGY = No Description Available DGZ = Transmission- 4-Spd. Automatic,MT643 DBB = ALL MANUAL TRANSMISSIONS DGO = TRANSMISSIONS - ALL AUTOMATIC

AR = use ase required - = Non illustrated part

**Gearshift Controls 30RH (DGD)
Figure 30RH-1210**

ITEM	PART NUMBER	QTY	LINE	SERIES	BODY	ENGINE	TRANS	TRIM	DESCRIPTION
------	-------------	-----	------	--------	------	--------	-------	------	-------------

Notes:

DG0 = All Automatic Transmissions
DGD = 30 RH 3 Speed Automatic Transmission
DGS = Aisin Warner 4 Speed Automatic Transmission
EP0 = All 2.5L 4 Cylinder Gas Engines
ER0 = All 4.0 L 6 Cylinder Gas Engines

1	52104028	1				EP0, ER0	DG0		HANDLE, Gearshift
2	53000211	1				EP0, ER0	DG0		BUTTON, Gearshift Knob
3	53000865	1				EP0, ER0	DG0		LEVER, Gearshift
4	53000866	1				EP0, ER0	DG0		SPRING, Button Return
5	52077561	1				EP0, ER0	DG0		CAP, Gearshift Handle Button
6	52077561	1							SCREW, Hex Head, M8x1.25x18, (NOT SERVICED)
7									BEZEL, Console PRNDL
	5GC35LAZAA	1	J, T				DGD		
	5GC36LAZAA	1	B, U				DGD		
8									CABLE, Park Interlock
	52104144	1	J, T			EP0, ER0	DG0		
	52104144AB	1	B, U			EP0, ER0	DG0		
9	52104144AB	1							SEAL, Shift Housing, (NOT SERVICED)
10									HOUSING, Shift Lever
	52104005	1	J, T				DG0		
	52104007	1	B, U				DG0		
11	52077532	1					DG0		CABLE, Gearshift Control
12									COVER, Gearshift

CHEROKEE (XJ)

SERIES

L = LOWLINE
B = JEEP - 2WD (RHD)
U = JEEP - 4WD (RHD)
T = LHD - (2WD)
J = JEEP - - LHD (4WD)

BODY

72 = 2DR (101.4 WB)
74 = 4 DR (101.4 WB)

ENGINE

ENC = 2.5L 4 Cyl Turbo Diesel Engine
EPE = Engine - 2.5L Power Tech I-4 Cyl.
ERH = 4.0L Power Tech I-6 Engine
ENO = Engines - ALL 4/5 CYL Turbo Diesel
ERO = Engines - All 4.0L 6 Cyl Gas
EP0 = ENGINES - ALL 2.5L 4 CYL GAS

TRANSMISSION

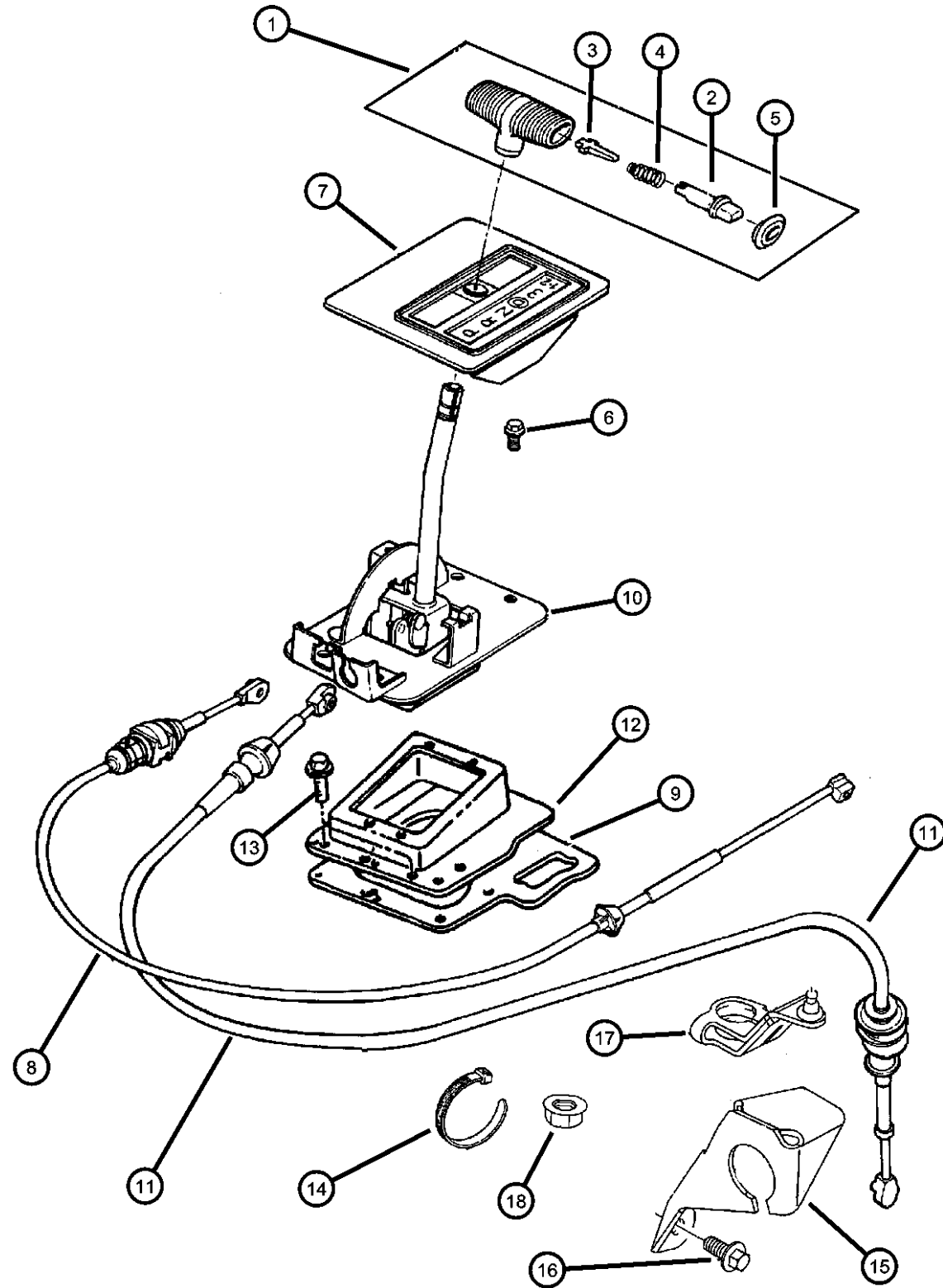
DCB = Transmission - 4-Speed Manual, T3340
DDQ = 5-Speed Manual Transmission
DDX = 5-Speed HD Manual Transmission
DGD = 3-Spd. Automatic 30RH Transmission
DGK = 4-Spd. Automatic 42RE Transmission
DGS = 4-Speed Automatic AW4 Transmission
DGT = 4-Spd. Automatic 46RE Transmission
DGW = TRANSMISSION - 4-SPD. AUTOMATIC, 44RE
DGX = 4-Speed Automatic Transmission
DGY = No Description Available
DGZ = Transmission- 4-Spd. Automatic, MT643
DBB = ALL MANUAL TRANSMISSIONS
DG0 = TRANSMISSIONS - ALL AUTOMATIC

AR = use ase required - = Non illustrated part

1998 XJ

**Gearshift Controls 30RH (DGD)
Figure 30RH-1210**

ITEM	PART NUMBER	QTY	LINE	SERIES	BODY	ENGINE	TRANS	TRIM	DESCRIPTION
	53000704	1	J, T				DG0		
		1	B, U				DG0		
13	J4001701	AR							SCREW, Hex Self Tapping, .19-16x.50
14	04641780	1				EP0, ER0	DG0		STRAP, Tie
15	53007746	1				ER0	DGS		BRACKET, Transmission Control Cable
16	11502850	4				ER0	DG0		BOLT, Square neck, Header Point .437-14x1.25
17	03681227	1	B, T			EP0	DGD		LEVER, Throttle Valve
18	J4004005	1				EP0	DGD		NUT, Hex, .437-14



CHEROKEE (XJ)

SERIES LINE
 L = LOWLINE B = JEEP - 2WD (RHD)
 U = JEEP - 4WD (RHD)
 T = LHD - (2WD)
 J = JEEP - - LHD (4WD)

BODY
 72 = 2DR (101.4 WB)
 74 = 4 DR (101.4 WB)

ENGINE TRANSMISSION
 ENC = 2.5L 4 Cyl Turbo Diesel Engine
 EPE = Engine - 2.5L Power Tech I-4 Cyl.
 ERH = 4.0L Power Tech I-6 Engine
 ENO = Engines - ALL 4/5 CYL Turbo Diesel
 ERO = Engines - All 4.0L 6 Cyl Gas
 EP0 = ENGINES - ALL 2.5L 4 CYL GAS
 DCB = Transmission - 4-Speed Manual, T3340
 DDQ = 5-Speed Manual Transmission
 DDX = 5-Speed HD Manual Transmission
 DGD = 3-Spd. Automatic 30RH Transmission
 DGK = 4-Spd. Automatic 42RE Transmission
 DGS = 4-Speed Automatic AW4 Transmission
 DGT = 4-Spd. Automatic 46RE Transmission
 DGW = TRANSMISSION - 4-SPD. AUTOMATIC, 44RE
 DGX = 4-Speed Automatic Transmission
 DGY = No Description Available
 DGZ = Transmission- 4-Spd. Automatic, MT643
 DBB = ALL MANUAL TRANSMISSIONS
 DG0 = TRANSMISSIONS - ALL AUTOMATIC

AR = use ase required - = Non illustrated part

Group - AW4

Automatic Transmission 4 Speed

Group - AW4 Automatic Transmission 4 Speed

Illustration Title

Group-Fig. No.

Transmission Assembly

Transmission AW4 (DGS) Fig. AW4 - 110

Case and Extension

Case and Related Parts AW4 (DGS) Fig. AW4 - 210

Linkage AW4 (DGS) Fig. AW4 - 220

Oil Pump

Oil Pump AW4 (DGS)..... Fig. AW4 - 310

Gear Train

Overdrive Clutch AW4 (DGS) Fig. AW4 - 410

Clutches, Forward and Direct AW4 (DGS) Fig. AW4 - 420

Clutch and Sun Gear AW4 (DGS) Fig. AW4 - 430

Gear Train AW4 (DGS) Fig. AW4 - 440

Bands, Reverse and Kickdown

Bands AW4 (DGS) Fig. AW4 - 510

Valve Body

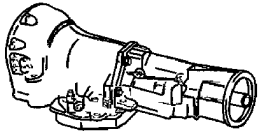
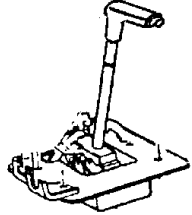
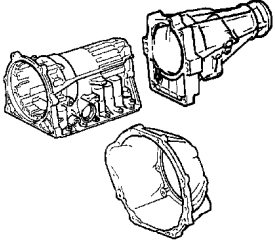

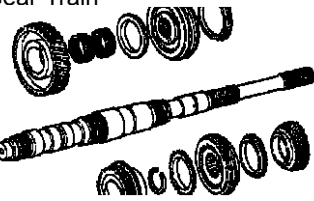
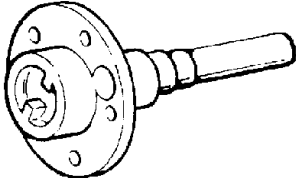
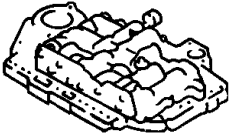
Valve Body AW4 (DGS)..... Fig. AW4 - 710

Accumulator Piston AW4 (DGS) Fig. AW4 - 720

Lock, Parking AW4 (DGS)..... Fig. AW4 - 730

Gearshift Controls

Gearshift Controls AW4 (DGS)..... Fig. AW4 - 1210

<p>AW4-100 Transmission Assembly</p> 	<p>AW4-1200 Gearshift Controls</p> 	<p>AW4-200 Case and Extension</p> 	<p>AW4-300 Oil Pump</p> 
<p>AW4-400 Gear Train</p> 	<p>AW4-500 Bands, Reverse and Kickdown</p> 	<p>AW4-700 Valve Body</p> 	

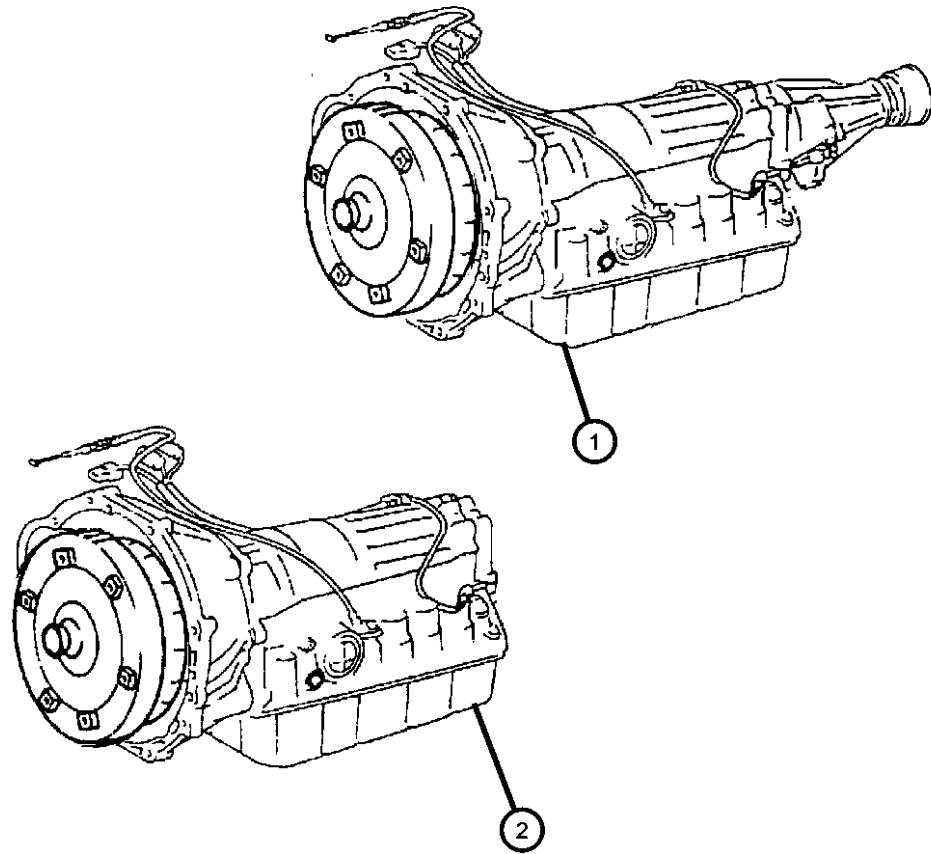
**Transmission AW4 (DGS)
Figure AW4-110**

ITEM	PART NUMBER	QTY	LINE	SERIES	BODY	ENGINE	TRANS	TRIM	DESCRIPTION
1	52104180AB	1	B, T			ER0	DGS		TRANSMISSION, TWO WHEEL DRIVE
2	52104210AB	1	J, U			ER0	DGS		TRANSMISSION, FOUR WHEEL DRIVE

Notes:

ER0 = All 4.0L 6 Cylinder Gas Engines

DGS = Aisin Warner 4 Speed Automatic Transmission



CHEROKEE (XJ)

SERIES

L = LOWLINE

LINE

B = JEEP - 2WD (RHD)
U = JEEP - 4WD (RHD)
T = LHD - (2WD)
J = JEEP - - LHD (4WD)

BODY

72 = 2DR (101.4 WB)
74 = 4 DR (101.4 WB)

ENGINE

ENC = 2.5L 4 Cyl Turbo Diesel Engine
EPE = Engine - 2.5L Power Tech I-4 Cyl.
ERH = 4.0L Power Tech I-6 Engine
ENO = Engines - ALL 4/5 CYL Turbo Diesel
ER0 = Engines - All 4.0L 6 Cyl Gas
EPO = ENGINES - ALL 2.5L 4 CYL GAS

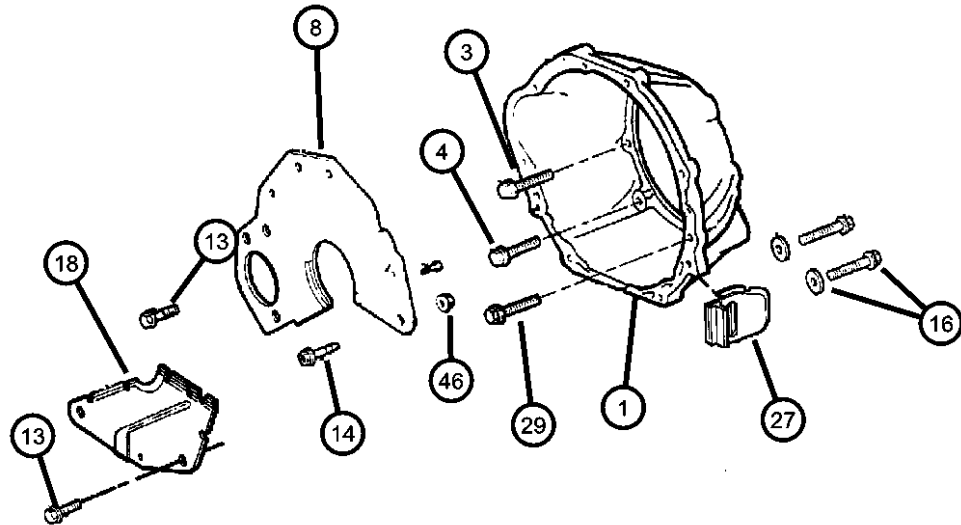
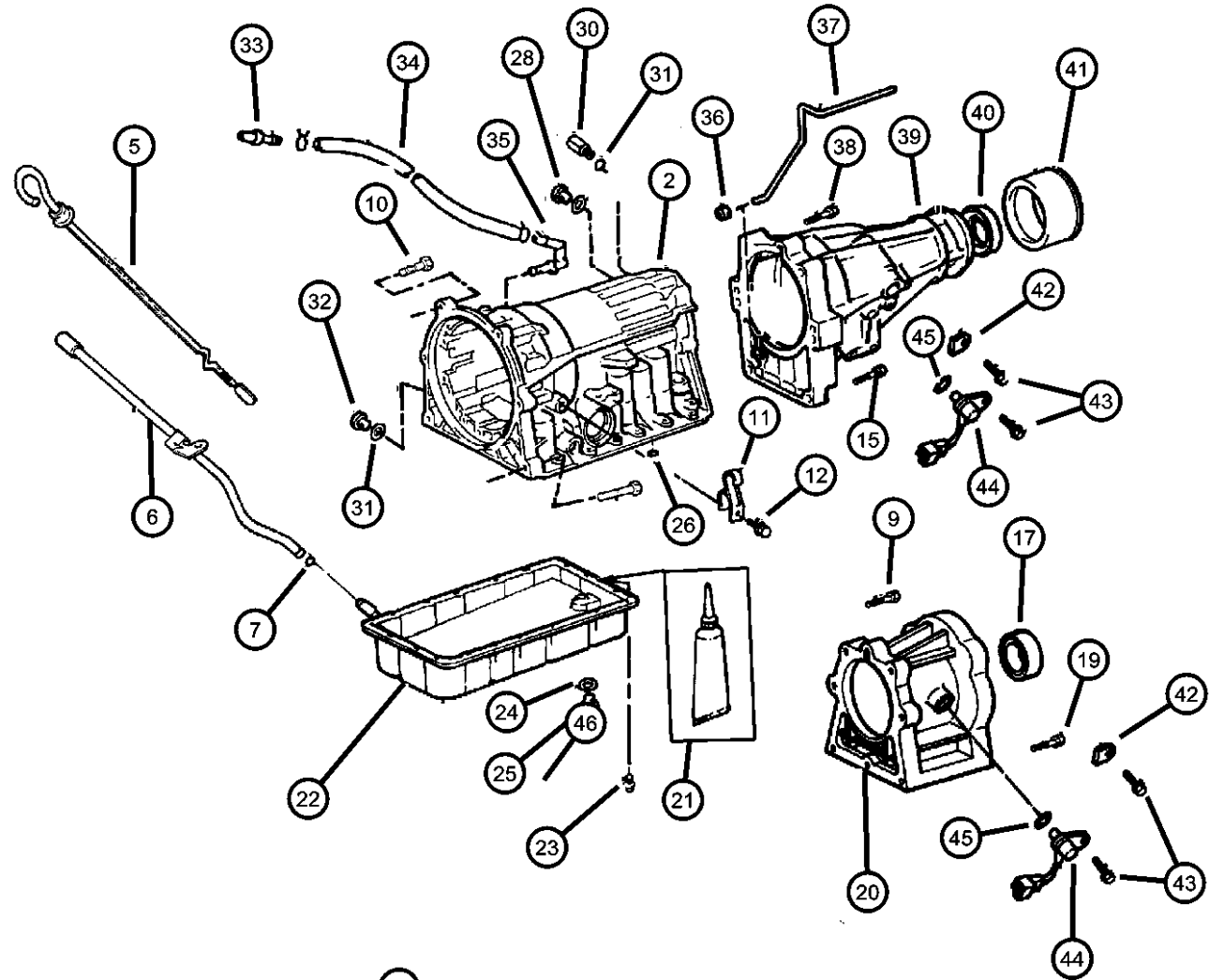
TRANSMISSION

DCB = Transmission - 4-Speed Manual, T3340
DDQ = 5-Speed Manual Transmission
DDX = 5-Speed HD Manual Transmission
DGD = 3-Spd. Automatic 30RH Transmission
DGK = 4-Spd. Automatic 42RE Transmission
DGS = 4-Speed Automatic AW4 Transmission
DGT = 4-Spd. Automatic 46RE Transmission
DGW = TRANSMISSION - 4-SPD. AUTOMATIC, 44RE
DGX = 4-Speed Automatic Transmission
DGY = No Description Available
DGZ = Transmission- 4-Spd. Automatic, MT643
DBB = ALL MANUAL TRANSMISSIONS
DGO = TRANSMISSIONS - ALL AUTOMATIC

AR = use ase required - = Non illustrated part

1998 XJ

**Case and Related Parts AW4 (DGS)
Figure AW4-210**



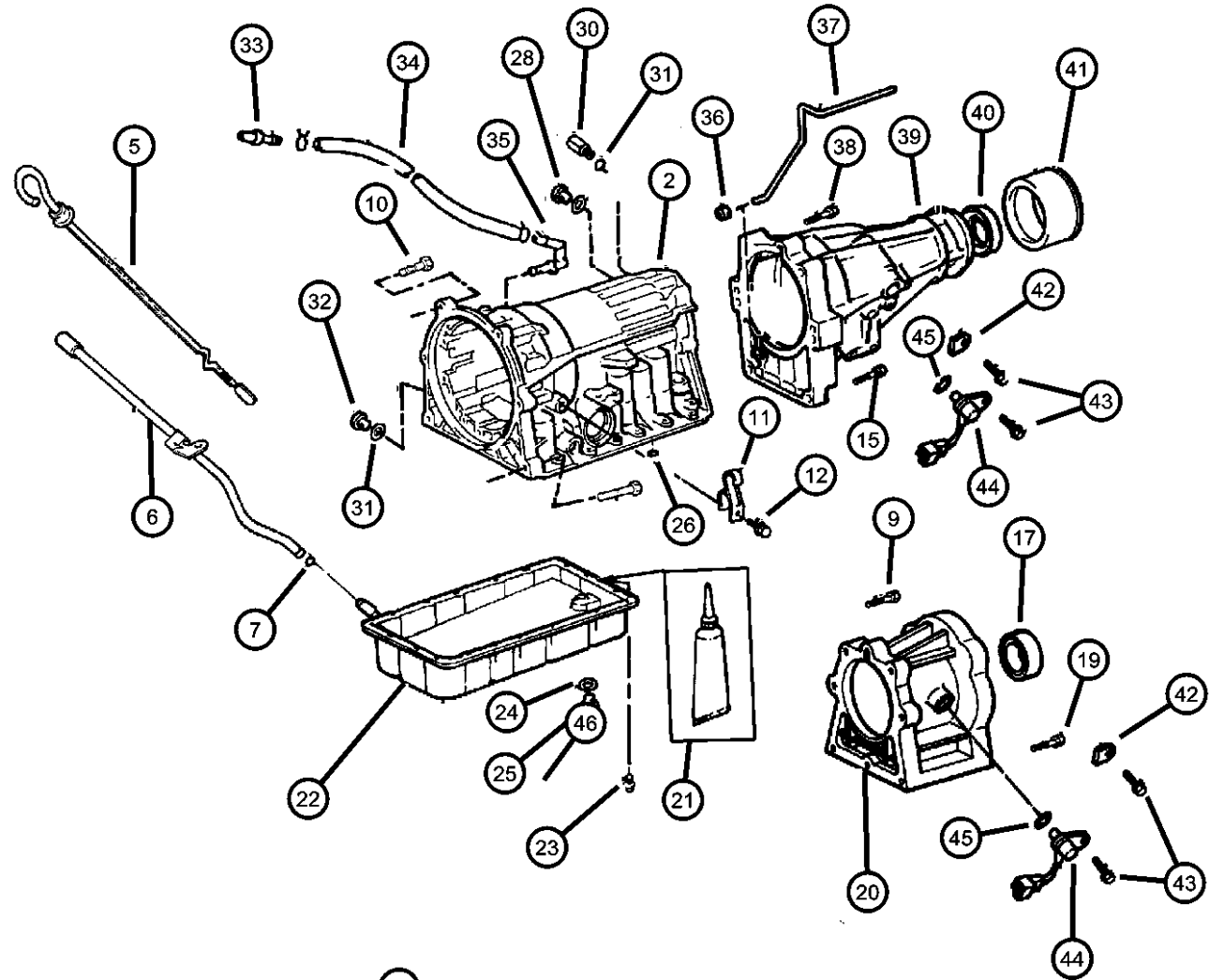
ITEM	PART NUMBER	QTY	LINE	SERIES	BODY	ENGINE	TRANS	TRIM	DESCRIPTION
1	83504062	1	J, U			ER0	DGS		HOUSING, Torque Converter 52104210AB
		1	B, T			ER0	DGS		52104180AB
2	04897731AA	1	J, U			ER0	DGS		CASE, Transmission 52104210AB
		1	B, T			ER0	DGS		52104180AB
3	04637492	4	J, U			ER0	DGS		BOLT, M10x1.50x35 52104210AB
		4	B, T			ER0	DGS		52104180AB
4	83503746	1	J, U			ER0	DGS		BOLT 52104210AB
		1	B, T			ER0	DGS		52104180AB
5	52104146	1				ER0	DG0		INDICATOR, Transmission Fluid Level
6	53002870	1				ER0	DG0		TUBE, Filler
7	53003977	1				ER0	DG0		O RING, Indicator Tube Oil Level, Transmission
8	53004907	1				ER0	DG0		COVER, Converter
9	04637494	2	J, U			ER0	DGS		BOLT, M10x1.5x100
10	83503711	1	B, T			ER0	DGS		BOLT AND WASHER, M8x16

CHEROKEE (XJ)

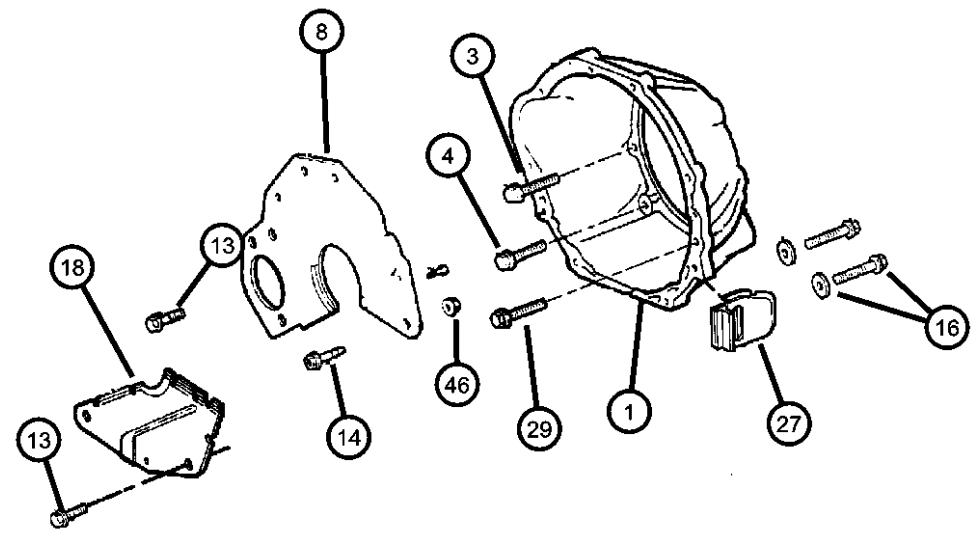
SERIES	LINE	BODY	ENGINE	TRANSMISSION
L = LOWLINE	B = JEEP - 2WD (RHD) U = JEEP - 4WD (RHD) T = LHD - (2WD) J = JEEP - - LHD (4WD)	72 = 2DR (101.4 WB) 74 = 4 DR (101.4 WB)	ENC = 2.5L 4 Cyl Turbo Diesel EPE = Engine - 2.5L Power Tech I-4 Cyl. ERH = 4.0L Power Tech I-6 Engine ENO = Engines - ALL 4/5 CYL Turbo Diesel ERO = Engines - All 4.0L 6 Cyl Gas EPO = ENGINES - ALL 2.5L 4 CYL GAS	DCB = Transmission - 4-Speed Manual,T3340 DDQ = 5-Speed Manual Transmission DDX = 5-Speed HD Manual Transmission DGD = 3-Spd. Automatic 30RH Transmission DGK = 4-Spd. Automatic 42RE Transmission DGS = 4-Speed Automatic AW4 Transmission DGT = 4-Spd. Automatic 46RE Transmission DGW = TRANSMISSION - 4-SPD. AUTOMATIC,44RE DGX = 4-Speed Automatic Transmission DGY = No Description Available DGZ = Transmission- 4-Spd. Automatic,MT643 DBB = ALL MANUAL TRANSMISSIONS DG0 = TRANSMISSIONS - ALL AUTOMATIC

AR = use ase required - = Non illustrated part

Case and Related Parts AW4 (DGS)
Figure AW4-210



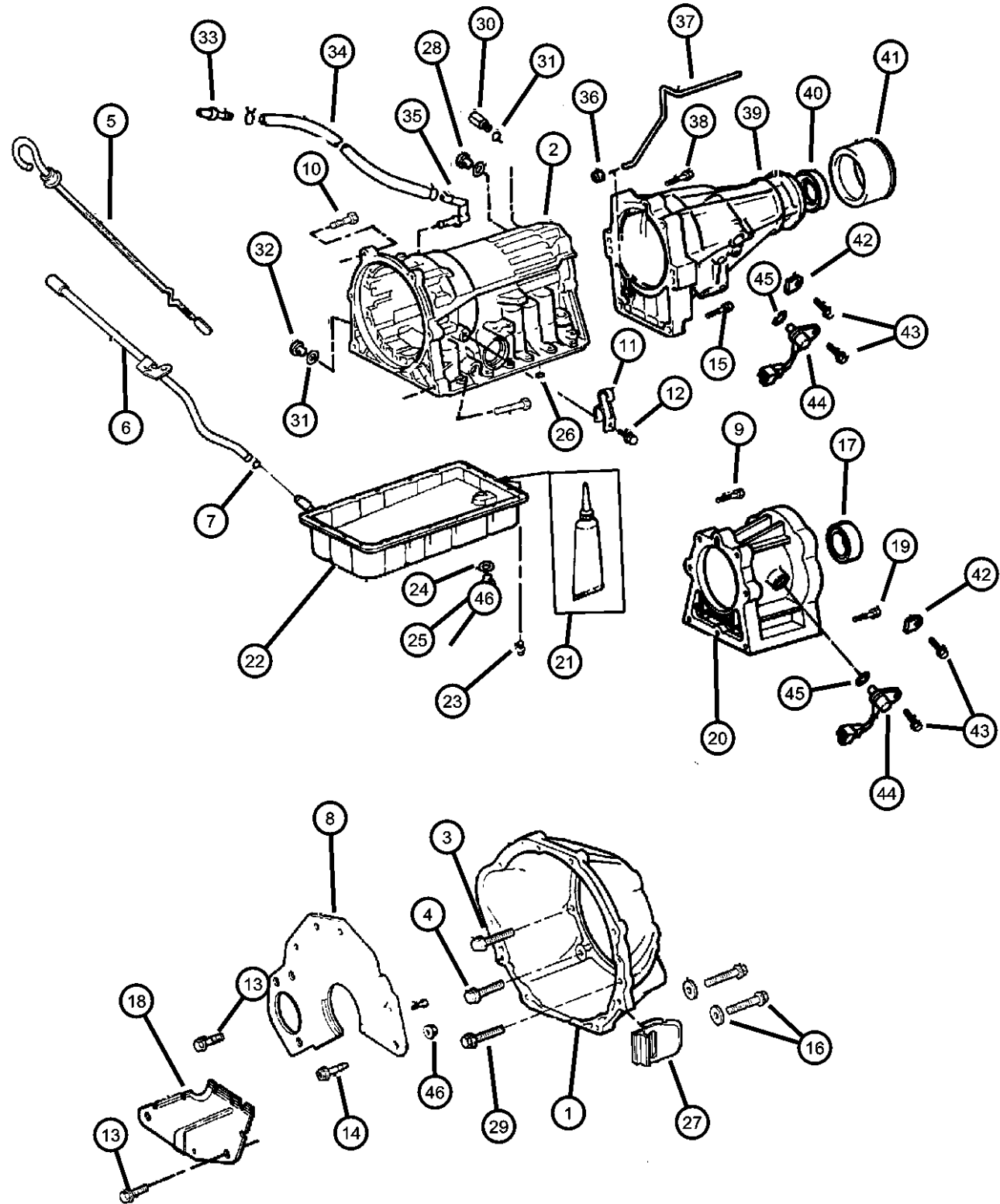
ITEM	PART NUMBER	QTY	LINE	SERIES	BODY	ENGINE	TRANS	TRIM	DESCRIPTION
11	83503715	1	J, U			ER0	DGS		CLAMP, Transmission
12	83503746	1	B, T			ER0	DGS		BOLT
									52104210AB
									52104180AB
13	11502850	4				ER0	DG0		BOLT, Hex Flange Head, M8x1.25x20
14	11504922	2				ER0	DG0		BOLT, Hex Head, M12x1.75x50
15	04637492	AR	B, T			ER0	DGS		BOLT, Transmission Case
		AR	J, U			ER0	DGS		52104210AB
16	04637493	4	B, T			ER0	DGS		BOLT AND WASHER, M10x1.5
17	83504055	1	J, U			ER0	DGS		SEAL, Transmission Case
18	52118078	1				ER0	DG0		COVER, Transmission Dust
19	04637495	5	J, U			ER0	DGS		BOLT AND WASHER, M10x1.5x4
20	04897739AA	1	J, U			ER0	DGS		ADAPTER, Transmission
21	05010428AA	1	B, T			ER0	DGS		GASKET, Sealant
		1	J, U			ER0	DGS		52104210AB
22	83504037	1	J, U			ER0	DGS		PAN, Transmission Oil
		1	B, T			ER0	DGS		52104180AB
23		1	B, T			ER0	DGS		BOLT, Oil Pan



CHEROKEE (XJ)
 SERIES LINE BODY ENGINE TRANSMISSION
 L = LOWLINE B = JEEP - 2WD (RHD) 72 = 2DR (101.4 WB) ENC = 2.5L 4 Cyl Turbo Diesel DCB = Transmission - 4-Speed Manual, T3340
 U = JEEP - 4WD (RHD) 74 = 4 DR (101.4 WB) EPE = Engine - 2.5L Power Tech I-4 Cyl. DDQ = 5-Speed Manual Transmission
 T = LHD - (2WD) ERH = 4.0L Power Tech I-6 Engine DDX = 5-Speed HD Manual Transmission
 J = JEEP - - LHD (4WD) ENO = Engines - ALL 4/5 CYL Turbo Diesel DGD = 3-Spd. Automatic 30RH Transmission
 ERO = Engines - All 4.0L 6 Cyl Gas DGK = 4-Spd. Automatic 42RE Transmission
 DGS = 4-Speed Automatic AW4 Transmission
 EPO = ENGINES - ALL 2.5L 4 CYL GAS DGT = 4-Spd. Automatic 46RE Transmission
 DGW = TRANSMISSION - 4-SPD. AUTOMATIC, 44RE
 DGX = 4-Speed Automatic Transmission
 DGY = No Description Available
 DGZ = Transmission- 4-Spd. Automatic, MT643
 DBB = ALL MANUAL TRANSMISSIONS
 DG0 = TRANSMISSIONS - ALL AUTOMATIC

AR = use ase required - = Non illustrated part

Case and Related Parts AW4 (DGS)
Figure AW4-210



ITEM	PART NUMBER	QTY	LINE	SERIES	BODY	ENGINE	TRANS	TRIM	DESCRIPTION
32									PLUG, Transmission Case
	83503749	2	J, U			ER0	DGS		
		2	B, T			ER0	DGS		
33									BREATHER, Transmission
	83503729	2	J, U			ER0	DGS		52104210AB
		1	B, T			ER0	DGS		52104180AB
34	83503720	1	J, U			ER0	DGS		HOSE, Transmission Vent
35	04897739AA	1	J, U			ER0	DGS		ADAPTER, Transmission
36	83504052	1	B, T			ER0	DGS		SEAL, Transmission Vent
37									TUBE, Valve Body
	83504334	2	J, U			ER0	DGS		
		2	B, T			ER0	DGS		
38	04637493	4	B, T			ER0	DGS		BOLT AND WASHER, M10x1.5
39	04897736AA	1	B, T			ER0	DGS		CASE, Transmission Rear
40									SEAL, Transmission Case
	83504048	1	B, T			ER0	DGS		
	83504055	1	J, U			ER0	DGS		
41	83504050	1	B, T			ER0	DGS		DEFLECTOR, Transfer Case Dust
42									PLATE, Retaining
	83503717	1	J, U			ER0	DGS		52104210AB
		1	B, T			ER0	DGS		52104180AB
43									SCREW AND CONED WASHER, Hex Head, M6x1.00x16.00

CHEROKEE (XJ)

SERIES LINE
 L = LOWLINE B = JEEP - 2WD (RHD)
 U = JEEP - 4WD (RHD)
 T = LHD - (2WD)
 J = JEEP - - LHD (4WD)

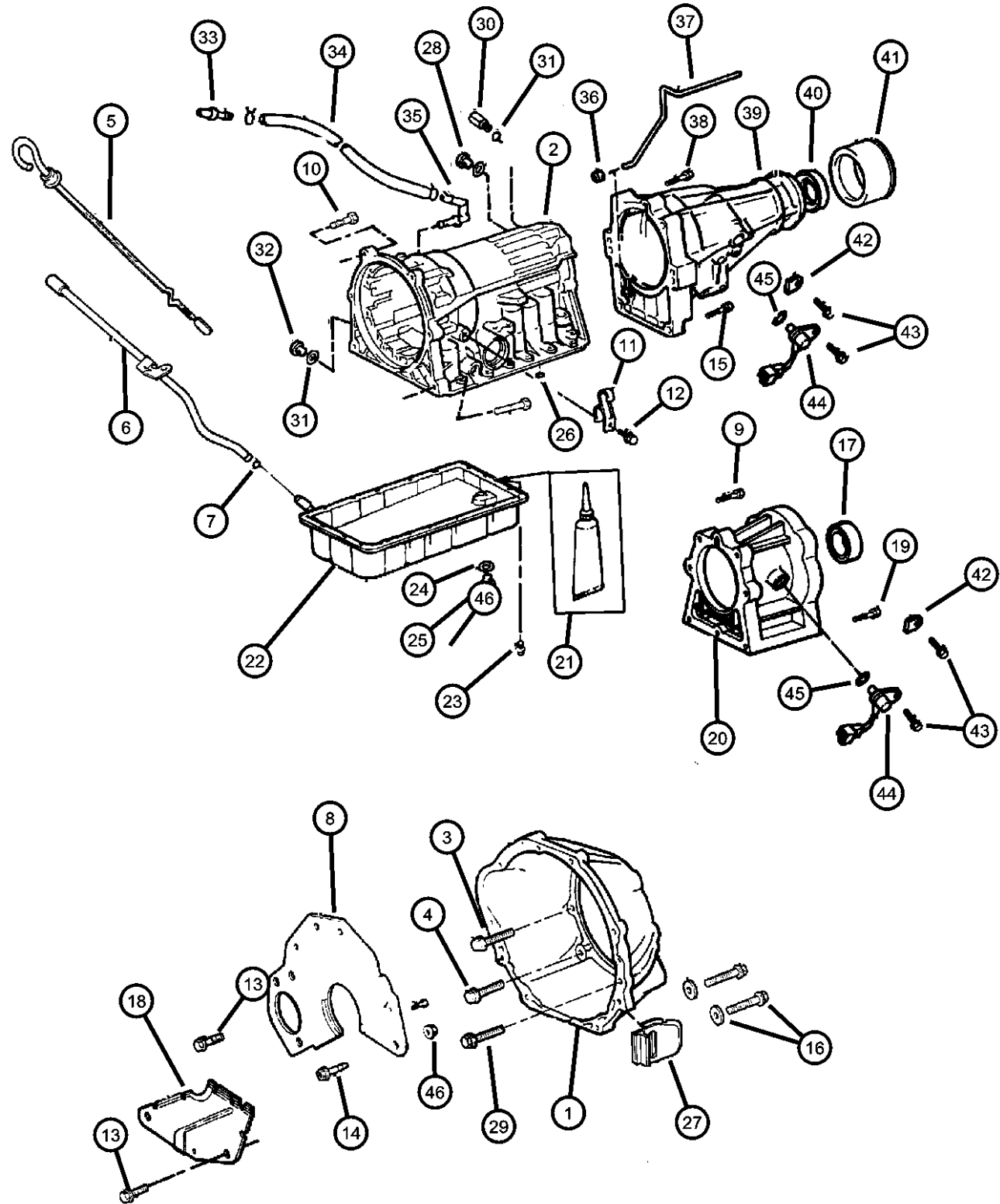
BODY
 72 = 2DR (101.4 WB)
 74 = 4 DR (101.4 WB)

ENGINE TRANSMISSION
 ENC = 2.5L 4 Cyl Turbo Diesel Engine
 EPE = Engine - 2.5L Power Tech I-4 Cyl.
 ERH = 4.0L Power Tech I-6 Engine
 ENO = Engines - ALL 4/5 CYL Turbo Diesel
 ERO = Engines - All 4.0L 6 Cyl Gas
 EPO = ENGINES - ALL 2.5L 4 CYL GAS
 DCB = Transmission - 4-Speed Manual, T3340
 DDQ = 5-Speed Manual Transmission
 DDX = 5-Speed HD Manual Transmission
 DGD = 3-Spd. Automatic 30RH Transmission
 DGK = 4-Spd. Automatic 42RE Transmission
 DGS = 4-Speed Automatic AW4 Transmission
 DGT = 4-Spd. Automatic 46RE Transmission
 DGW = TRANSMISSION - 4-SPD. AUTOMATIC, 44RE
 DGX = 4-Speed Automatic Transmission
 DGY = No Description Available
 DGZ = Transmission- 4-Spd. Automatic, MT643
 DBB = ALL MANUAL TRANSMISSIONS
 DGO = TRANSMISSIONS - ALL AUTOMATIC

AR = use ase required - = Non illustrated part

1998 XJ

Case and Related Parts AW4 (DGS)
Figure AW4-210



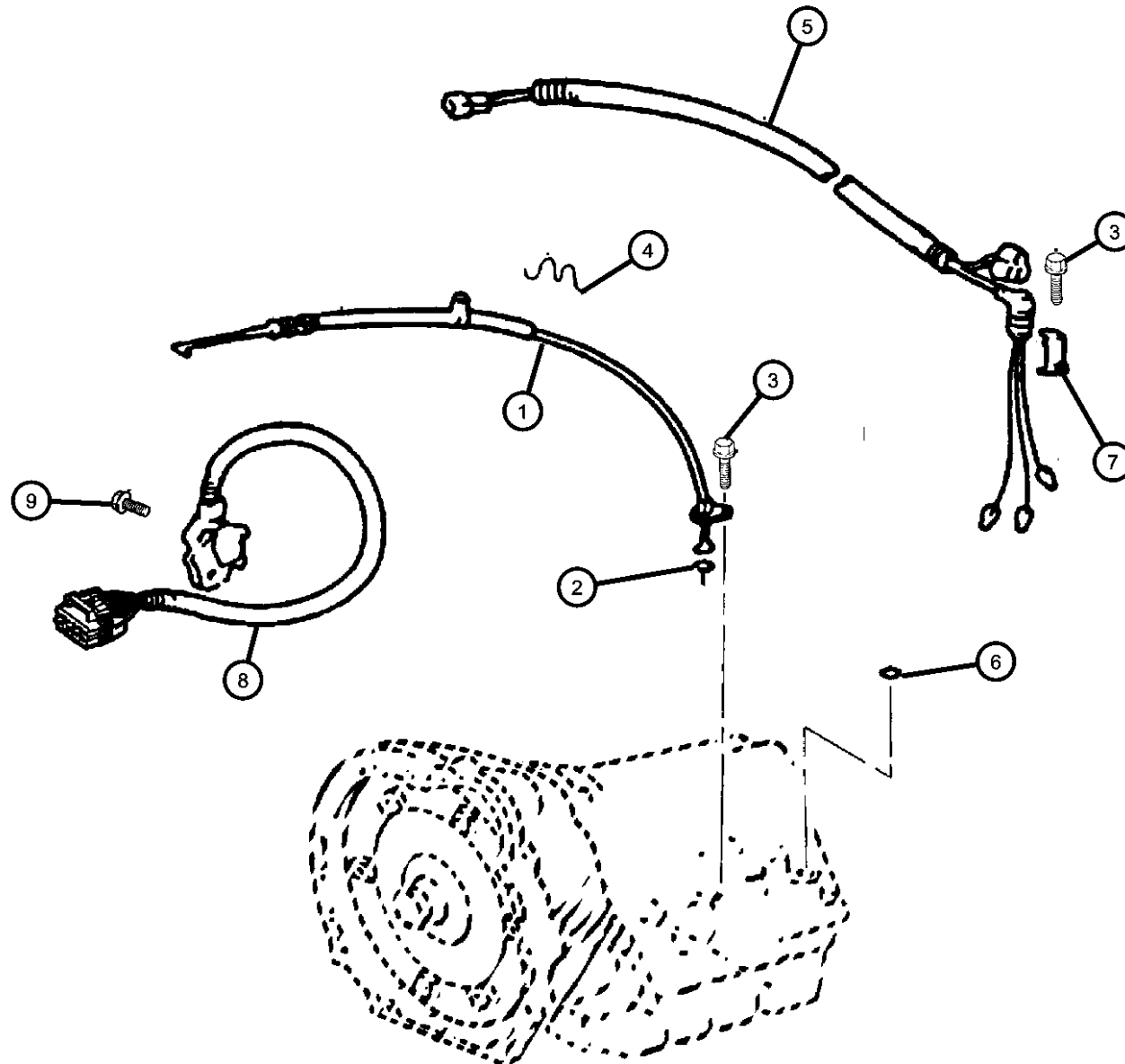
ITEM	PART NUMBER	QTY	LINE	SERIES	BODY	ENGINE	TRANS	TRIM	DESCRIPTION
	34201808	AR	J, U			ER0	DGS		
		AR	B, T			ER0	DGS		
44	04897734AA	1	J, U			ER0	DGS		SENSOR, Vehicle Speed
		2	B, T			ER0	DGS		52104210AB
45	05010301AA	1	J, U			ER0	DGS		O RING, Trans Speedo Adapter
		1	B, T			ER0	DGS		52104210AB
46	06502697	2				ER0			NUT, Hex Flange Lock, M12x1.75

CHEROKEE (XJ)

SERIES	LINE	BODY	ENGINE	TRANSMISSION
L = LOWLINE	B = JEEP - 2WD (RHD) U = JEEP - 4WD (RHD) T = LHD - (2WD) J = JEEP - - LHD (4WD)	72 = 2DR (101.4 WB) 74 = 4 DR (101.4 WB)	ENC = 2.5L 4 Cyl Turbo Diesel Engine EPE = Engine - 2.5L Power Tech I-4 Cyl. ERH = 4.0L Power Tech I-6 Engine ENO = Engines - ALL 4/5 CYL Turbo Diesel ERO = Engines - All 4.0L 6 Cyl Gas EPO = ENGINES - ALL 2.5L 4 CYL GAS	DCB = Transmission - 4-Speed Manual,T3340 DDQ = 5-Speed Manual Transmission DDX = 5-Speed HD Manual Transmission DGD = 3-Spd. Automatic 30RH Transmission DGK = 4-Spd. Automatic 42RE Transmission DGS = 4-Speed Automatic AW4 Transmission DGT = 4-Spd. Automatic 46RE Transmission DGW = TRANSMISSION - 4-SPD. AUTOMATIC,44RE DGX = 4-Speed Automatic Transmission DGY = No Description Available DGZ = Transmission- 4-Spd. Automatic,MT643 DBB = ALL MANUAL TRANSMISSIONS DGO = TRANSMISSIONS - ALL AUTOMATIC

AR = use ase required - = Non illustrated part

Linkage AW4 (DGS)
Figure AW4-220



ITEM	PART NUMBER	QTY	LINE	SERIES	BODY	ENGINE	TRANS	TRIM	DESCRIPTION
1	52077578	1	B, T			ER0	DGS		CABLE, Throttle Control
		1	J, U			ER0	DGS		
2	83503708	1	J, U			ER0	DGS		O RING, Throttle Cable
		1	B, T			ER0	DGS		
3	34201808	AR	J, U			ER0	DGS		SCREW AND CONED WASHER, Hex Head, M6x1.00x16.00
		AR	B, T			ER0	DGS		
4	83503710	1	B, T			ER0	DGS		RETAINER, Throttle Cable Retention
5	04897742AA	1	J, U			ER0	DGS		HARNESS, Valve Body Solenoid
		1	B, T			ER0	DGS		
6	83503719	1	J, U			ER0	DGS		O RING, Solenoid Connector Seal, Transmission
		1	B, T			ER0	DGS		
7	83503717	1	J, U			ER0	DGS		PLATE, Retaining
		1	B, T			ER0	DGS		

CHEROKEE (XJ)

SERIES

L = LOWLINE

B = JEEP - 2WD (RHD)
U = JEEP - 4WD (RHD)
T = LHD - (2WD)
J = JEEP - - LHD (4WD)

BODY

72 = 2DR (101.4 WB)
74 = 4 DR (101.4 WB)

ENGINE

ENC = 2.5L 4 Cyl Turbo Diesel Engine
EPE = Engine - 2.5L Power Tech I-4 Cyl.
ERH = 4.0L Power Tech I-6 Engine
ENO = Engines - ALL 4/5 CYL Turbo Diesel
ERO = Engines - All 4.0L 6 Cyl Gas
EPO = ENGINES - ALL 2.5L 4 CYL GAS

TRANSMISSION

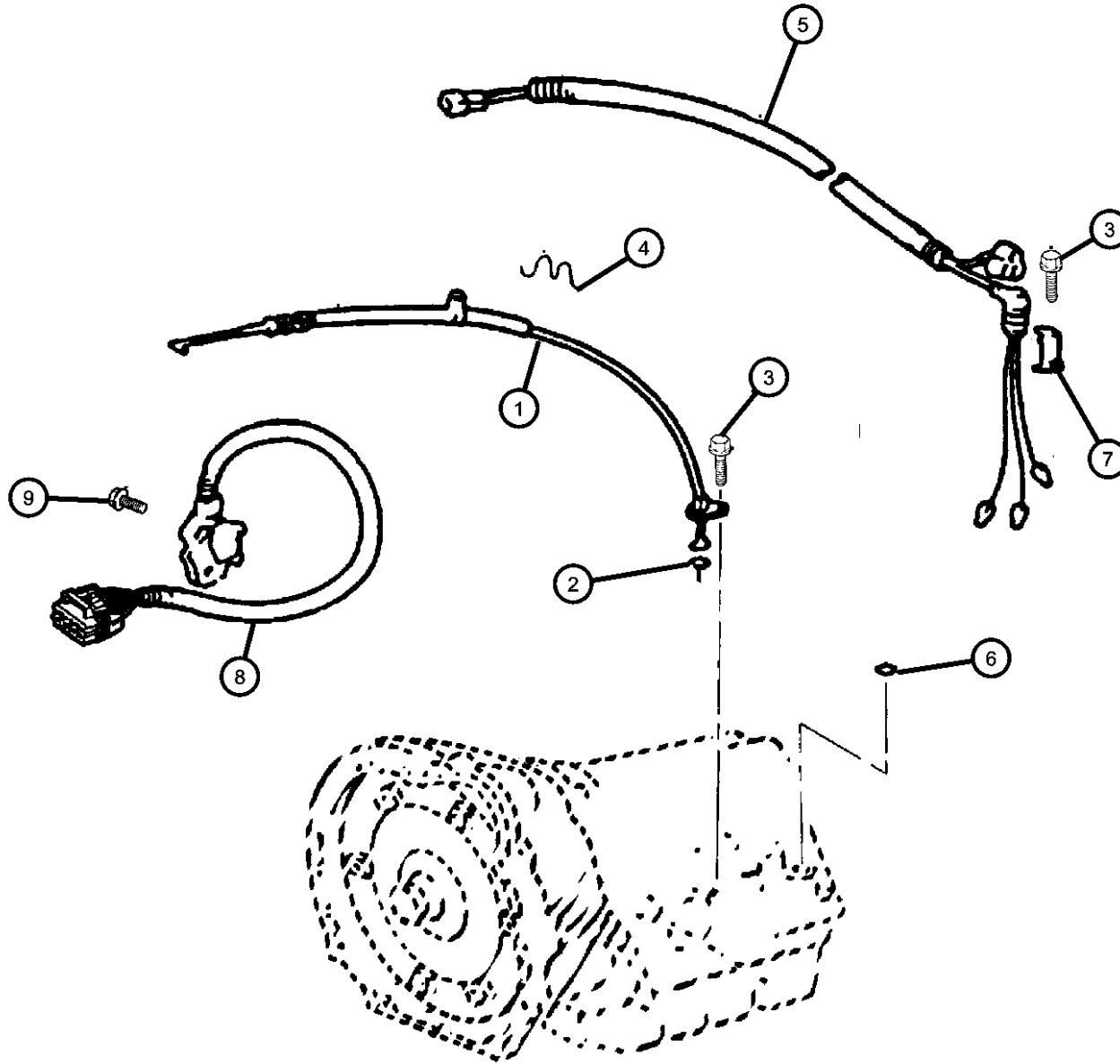
DCB = Transmission - 4-Speed Manual, T3340
DDQ = 5-Speed Manual Transmission
DDX = 5-Speed HD Manual Transmission
DGD = 3-Spd. Automatic 30RH Transmission
DGK = 4-Spd. Automatic 42RE Transmission
DGS = 4-Speed Automatic AW4 Transmission
DGT = 4-Spd. Automatic 46RE Transmission
DGW = TRANSMISSION - 4-SPD. AUTOMATIC, 44RE
DGX = 4-Speed Automatic Transmission
DGY = No Description Available
DGZ = Transmission- 4-Spd. Automatic, MT643
DBB = ALL MANUAL TRANSMISSIONS
DGO = TRANSMISSIONS - ALL AUTOMATIC

AR = use ase required - = Non illustrated part

1998 XJ

Linkage AW4 (DGS)
Figure AW4-220

ITEM	PART NUMBER	QTY	LINE	SERIES	BODY	ENGINE	TRANS	TRIM	DESCRIPTION
8	04882173	1	J, U			ER0	DGS		SWITCH, Neutral, Safety, Back Up
		1	B, T			ER0	DGS		
9	83503714	1	J, U			ER0	DGS		BOLT, M8x1.25x30
		1	B, T			ER0	DGS		



CHEROKEE (XJ)

SERIES LINE
L = LOWLINE B = JEEP - 2WD (RHD)
U = JEEP - 4WD (RHD)
T = LHD - (2WD)
J = JEEP - - LHD (4WD)

BODY
72 = 2DR (101.4 WB)
74 = 4 DR (101.4 WB)

ENGINE TRANSMISSION
ENC = 2.5L 4 Cyl Turbo Diesel Engine DCB = Transmission - 4-Speed Manual,T3340
EPE = Engine - 2.5L Power Tech I-4 Cyl. DDQ = 5-Speed Manual Transmission
ERH = 4.0L Power Tech I-6 Engine DDX = 5-Speed HD Manual Transmission
ENO = Engines - ALL 4/5 CYL Turbo Diesel DGD = 3-Spd. Automatic 30RH Transmission
ERO = Engines - All 4.0L 6 Cyl Gas DGK = 4-Spd. Automatic 42RE Transmission
EPO = ENGINES - ALL 2.5L 4 CYL GAS DGS = 4-Speed Automatic AW4 Transmission
DGT = 4-Spd. Automatic 46RE Transmission
DGW = TRANSMISSION - 4-SPD. AUTOMATIC,44RE
DGX = 4-Speed Automatic Transmission
DGY = No Description Available
DGZ = Transmission- 4-Spd. Automatic,MT643
DBB = ALL MANUAL TRANSMISSIONS
DGO = TRANSMISSIONS - ALL AUTOMATIC

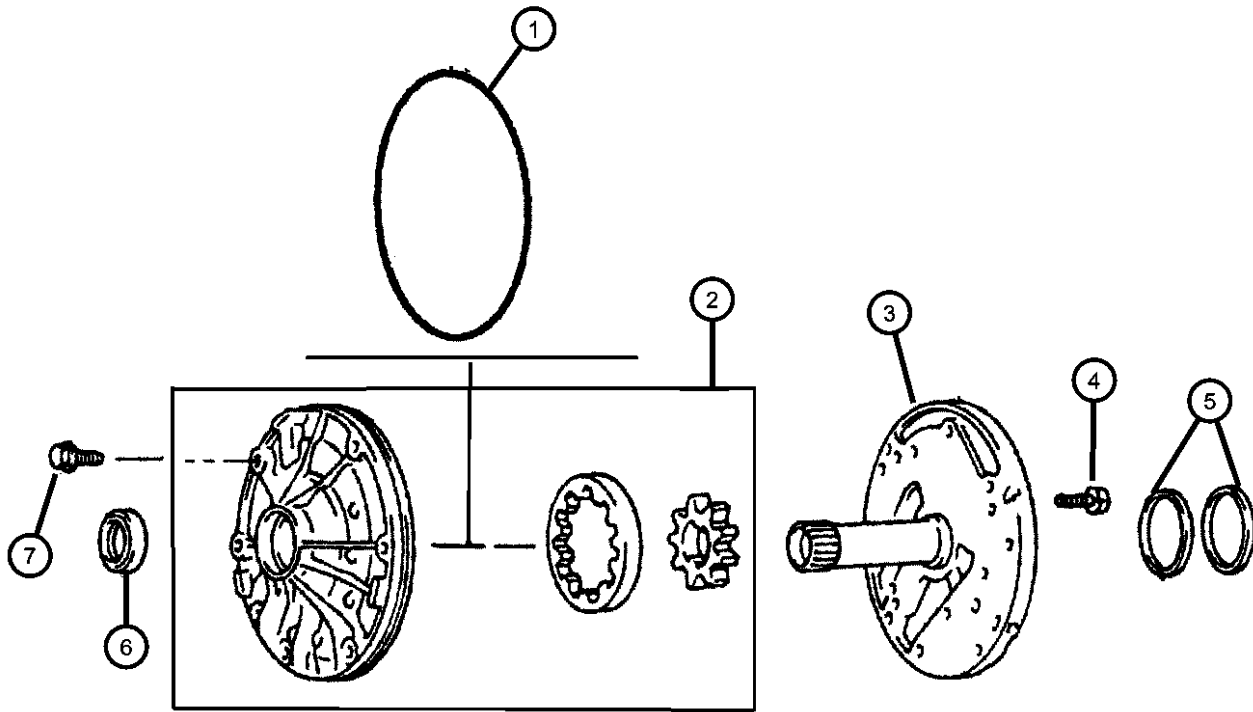
AR = use ase required - = Non illustrated part

1998 XJ

**Oil Pump AW4 (DGS)
Figure AW4-310**

ITEM	PART NUMBER	QTY	LINE	SERIES	BODY	ENGINE	TRANS	TRIM	DESCRIPTION
1	83503758	1	J, U			ER0	DGS		O RING, Transmission Pump Assy
		1	B, T			ER0	DGS		
2	83504283	1	J, U			ER0	DGS		HOUSING, Pump
		1	B, T			ER0	DGS		
3	04626166	1	J, U			ER0	DGS		STATOR, Support
		1	B, T			ER0	DGS		
4	04626167	13	J, U			ER0	DGS		BOLT AND WASHER, Hex Head, M6x1.0x16
		13	B, T			ER0	DGS		
5	83503757	AR	J, U			ER0	DGS		SEAL, Pump Reaction Shaft
		AR	B, T			ER0	DGS		
6	83503752	1	J, U			ER0	DGS		SEAL, Transmission Oil Pump
		1	B, T			ER0	DGS		
7									BOLT

Notes:
ER0 = All 4.0l 6 Cylinder Gas Engines
DGS = Aisin Warner 4 Speed Automatic Transmission



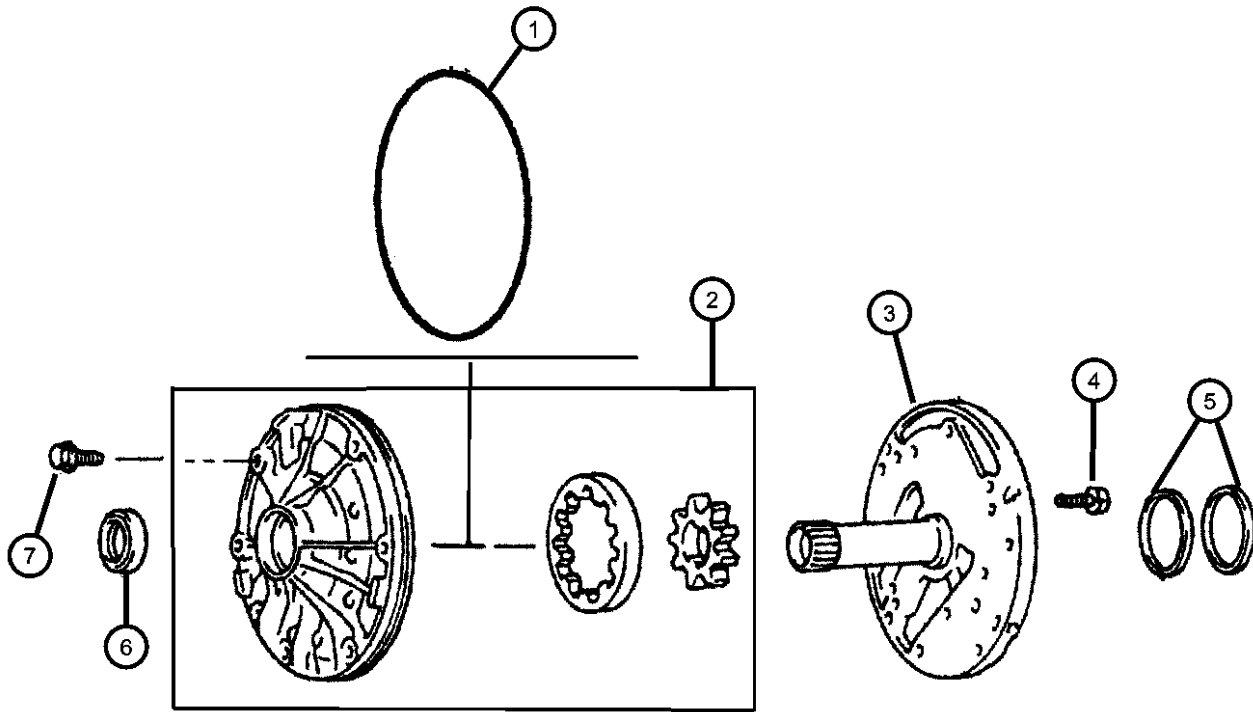
CHEROKEE (XJ)

SERIES	LINE	BODY	ENGINE	TRANSMISSION
L = LOWLINE	B = JEEP - 2WD (RHD) U = JEEP - 4WD (RHD) T = LHD - (2WD) J = JEEP - - LHD (4WD)	72 = 2DR (101.4 WB) 74 = 4 DR (101.4 WB)	ENC = 2.5L 4 Cyl Turbo Diesel Engine EPE = Engine - 2.5L Power Tech I-4 Cyl. ERH = 4.0L Power Tech I-6 Engine ENO = Engines - ALL 4/5 CYL Turbo Diesel ERO = Engines - All 4.0L 6 Cyl Gas EPO = ENGINES - ALL 2.5L 4 CYL GAS	DCB = Transmission - 4-Speed Manual, T3340 DDQ = 5-Speed Manual Transmission DDX = 5-Speed HD Manual Transmission DGD = 3-Spd. Automatic 30RH Transmission DGK = 4-Spd. Automatic 42RE Transmission DGS = 4-Speed Automatic AW4 Transmission DGT = 4-Spd. Automatic 46RE Transmission DGW = TRANSMISSION - 4-SPD. AUTOMATIC, 44RE DGX = 4-Speed Automatic Transmission DGY = No Description Available DGZ = Transmission- 4-Spd. Automatic, MT643 DBB = ALL MANUAL TRANSMISSIONS DGO = TRANSMISSIONS - ALL AUTOMATIC

AR = use ase required - = Non illustrated part

Oil Pump AW4 (DGS)
Figure AW4-310

ITEM	PART NUMBER	QTY	LINE	SERIES	BODY	ENGINE	TRANS	TRIM	DESCRIPTION
	04637491	1	J, U			ER0	DGS		
		1	B, T			ER0	DGS		



CHEROKEE (XJ)

SERIES

L = LOWLINE

LINE

B = JEEP - 2WD (RHD)
U = JEEP - 4WD (RHD)
T = LHD - (2WD)
J = JEEP - - LHD (4WD)

BODY

72 = 2DR (101.4 WB)
74 = 4 DR (101.4 WB)

ENGINE

ENC = 2.5L 4 Cyl Turbo Diesel Engine
EPE = Engine - 2.5L Power Tech I-4 Cyl.
ERH = 4.0L Power Tech I-6 Engine
ENO = Engines - ALL 4/5 CYL Turbo Diesel
ERO = Engines - All 4.0L 6 Cyl Gas
EPO = ENGINES - ALL 2.5L 4 CYL GAS

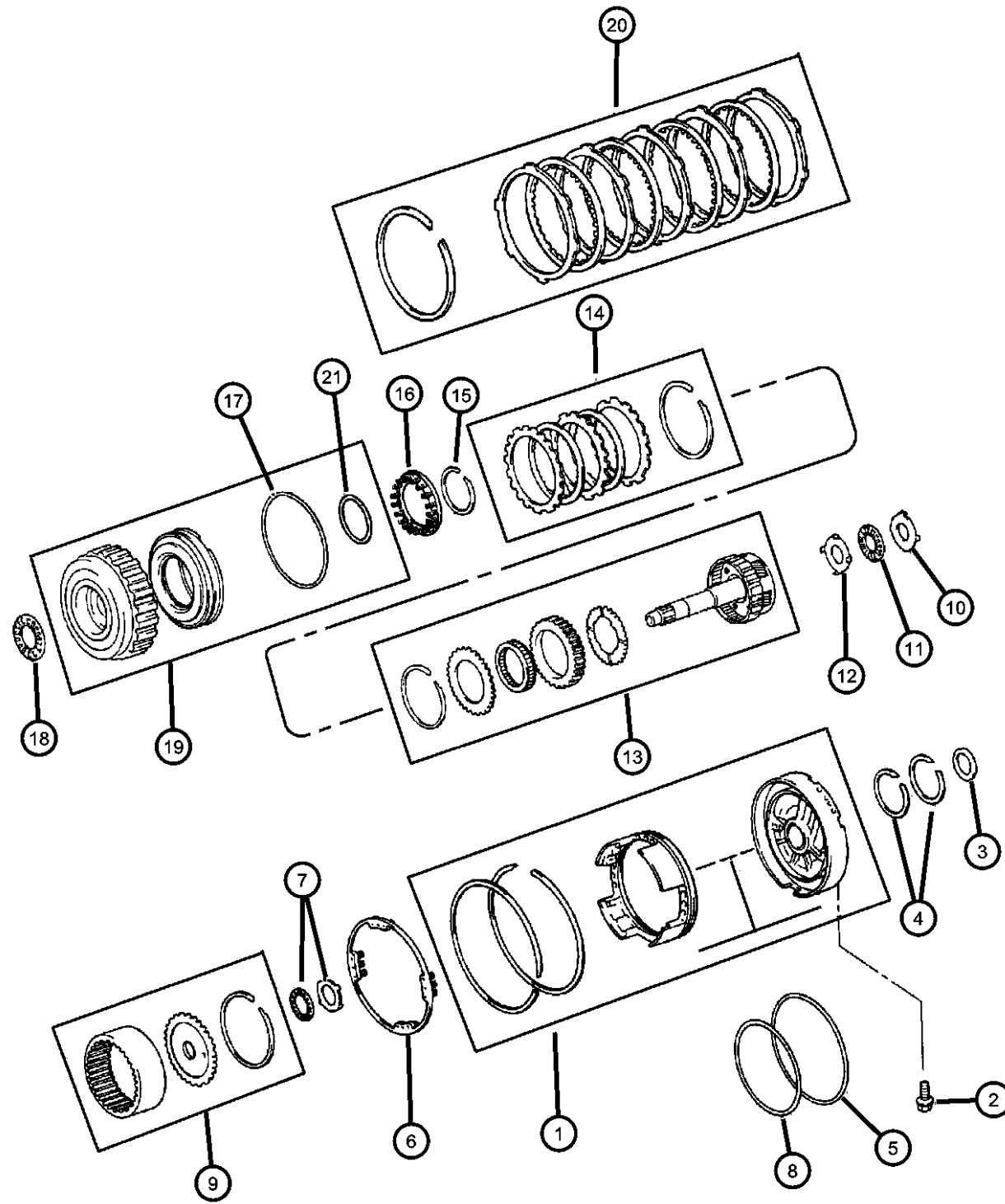
TRANSMISSION

DCB = Transmission - 4-Speed Manual,T3340
DDQ = 5-Speed Manual Transmission
DDX = 5-Speed HD Manual Transmission
DGD = 3-Spd. Automatic 30RH Transmission
DGK = 4-Spd. Automatic 42RE Transmission
DGS = 4-Speed Automatic AW4 Transmission
DGT = 4-Spd. Automatic 46RE Transmission
DGW = TRANSMISSION - 4-SPD. AUTOMATIC,44RE
DGX = 4-Speed Automatic Transmission
DGY = No Description Available
DGZ = Transmission- 4-Spd. Automatic,MT643
DBB = ALL MANUAL TRANSMISSIONS
DGO = TRANSMISSIONS - ALL AUTOMATIC

AR = use ase required - = Non illustrated part

1998 XJ

**Overdrive Clutch AW4 (DGS)
Figure AW4-410**



ITEM	PART NUMBER	QTY	LINE	SERIES	BODY	ENGINE	TRANS	TRIM	DESCRIPTION
------	-------------	-----	------	--------	------	--------	-------	------	-------------

Notes:

ER0 = All 4.0L 6 Cylinder Gas Engines
DGS = Aisin Warner 4 Speed Automatic Transmission

1									OVERDRIVE PACKAGE, Support and Piston
	04636977	1	J, U			ER0	DGS		52104210AB
		1	B, T			ER0	DGS		52104180AB
2									BOLT, Overdrive Support
	04796568	2	J, U			ER0	DGS		
		2	B, T			ER0	DGS		
3									RACE, Thrust Bearing
	83503801	1	J, U			ER0	DGS		52104210AB
		1	B, T			ER0	DGS		52104180AB
4									SEAL, Pump Reaction Shaft
	83503757	AR	J, U			ER0	DGS		
		AR	B, T			ER0	DGS		
5									O RING, O/Drive Support Outer, Transmission
	04636782	1	J, U			ER0	DGS		
		1	B, T			ER0	DGS		
6									SPRING, Overdrive Brake Return
	04636784	1	J, U			ER0	DGS		
		1	B, T			ER0	DGS		
7									THRUST BEARING PACKAGE, Overdrive

CHEROKEE (XJ)

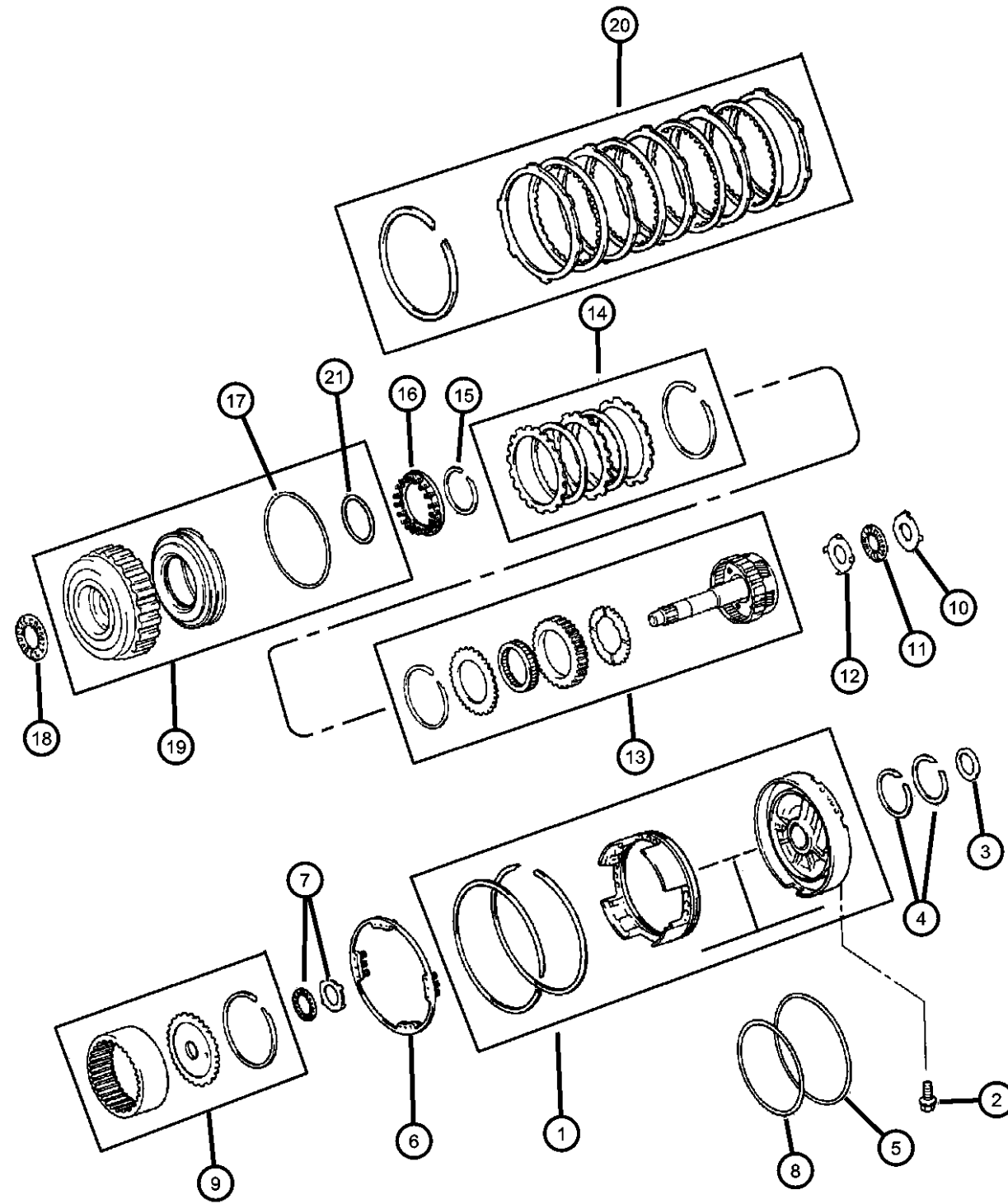
SERIES LINE
L = LOWLINE B = JEEP - 2WD (RHD)
U = JEEP - 4WD (RHD)
T = LHD - (2WD)
J = JEEP - - LHD (4WD)

BODY
72 = 2DR (101.4 WB)
74 = 4 DR (101.4 WB)

ENGINE TRANSMISSION
ENC = 2.5L 4 Cyl Turbo Diesel Engine
EPE = Engine - 2.5L Power Tech I-4 Cyl.
ERH = 4.0L Power Tech I-6 Engine
ENO = Engines - ALL 4/5 CYL Turbo Diesel
ERO = Engines - All 4.0L 6 Cyl Gas
EPO = ENGINES - ALL 2.5L 4 CYL GAS
DCB = Transmission - 4-Speed Manual, T3340
DDQ = 5-Speed Manual Transmission
DDX = 5-Speed HD Manual Transmission
DGD = 3-Spd. Automatic 30RH Transmission
DGK = 4-Spd. Automatic 42RE Transmission
DGS = 4-Speed Automatic AW4 Transmission
DGT = 4-Spd. Automatic 46RE Transmission
DGW = TRANSMISSION - 4-SPD. AUTOMATIC, 44RE
DGX = 4-Speed Automatic Transmission
DGY = No Description Available
DGZ = Transmission- 4-Spd. Automatic, MT643
DBB = ALL MANUAL TRANSMISSIONS
DGO = TRANSMISSIONS - ALL AUTOMATIC

AR = use ase required - = Non illustrated part

**Overdrive Clutch AW4 (DGS)
Figure AW4-410**



ITEM	PART NUMBER	QTY	LINE	SERIES	BODY	ENGINE	TRANS	TRIM	DESCRIPTION
	04637023	AR	J, U			ER0	DGS		52104210AB
		AR	B, T			ER0	DGS		52104180AB
8									O RING, O/Drive Support Inner, Transmission
	04636783	1	J, U			ER0	DGS		
		1	B, T			ER0	DGS		
9									GEAR PACKAGE, Planetary Overdrive
	04886128AA	AR	J, U			ER0	DGS		52104210AB
		AR	B, T			ER0	DGS		52104180AB
10									RACE, Thrust Bearing
	83503916	1	J, U			ER0	DGS		52104210AB
		1	B, T			ER0	DGS		52104180AB
11									THRUST BEARING
	83503802	1	J, U			ER0	DGS		
		1	B, T			ER0	DGS		
12									RACE, Thrust Bearing
	83503915	1	J, U			ER0	DGS		52104210AB
		1	B, T			ER0	DGS		52104180AB
13									GEAR PACKAGE, Planetary Overdrive
	04637024	1	J, U			ER0	DGS		52104210AB
		1	B, T			ER0	DGS		52104180AB
14									CLUTCH PACKAGE, Direct Clutch

CHEROKEE (XJ)

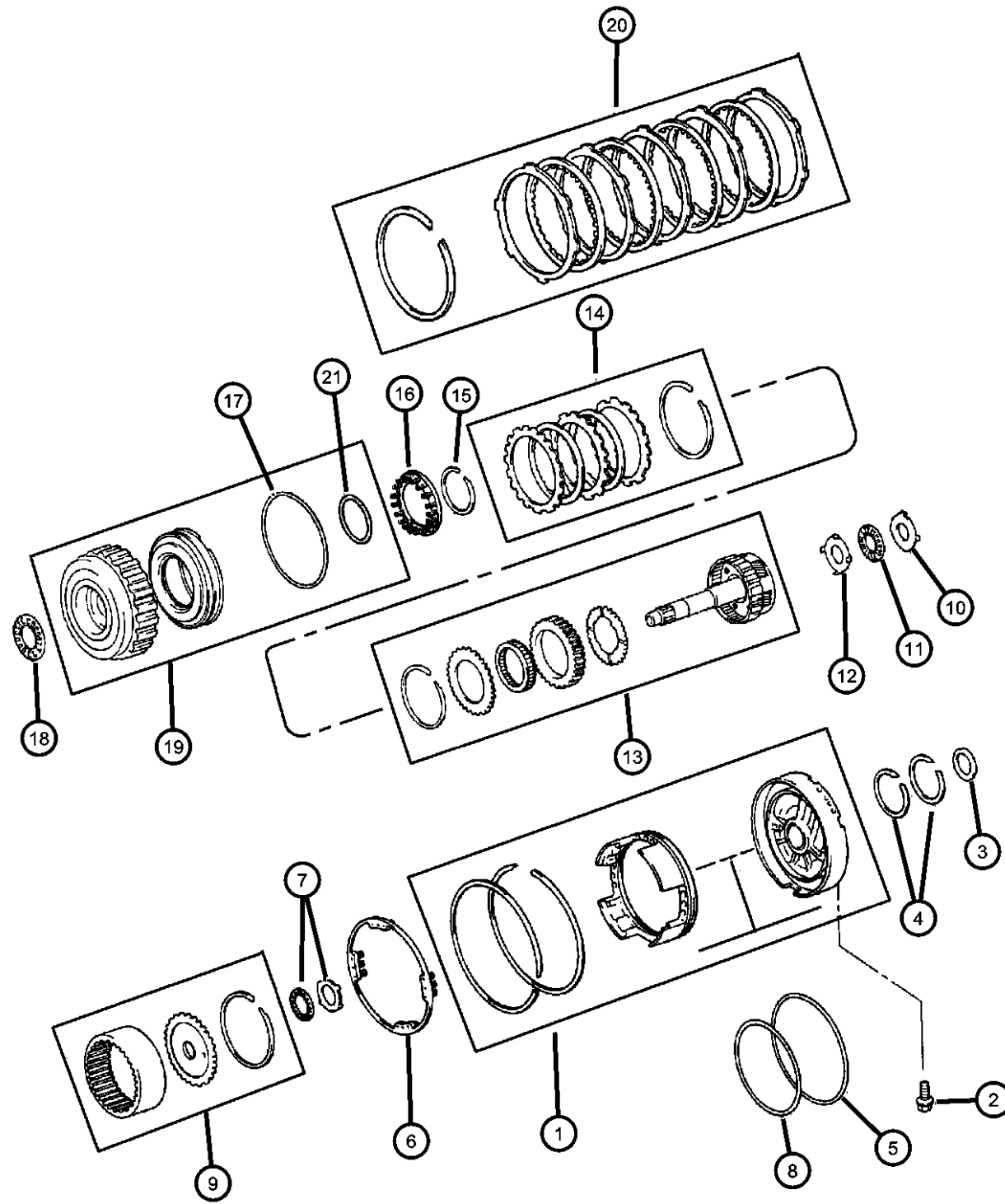
SERIES LINE
 L = LOWLINE B = JEEP - 2WD (RHD)
 U = JEEP - 4WD (RHD)
 T = LHD - (2WD)
 J = JEEP - - LHD (4WD)

BODY
 72 = 2DR (101.4 WB)
 74 = 4 DR (101.4 WB)

ENGINE TRANSMISSION
 ENC = 2.5L 4 Cyl Turbo Diesel Engine DCB = Transmission - 4-Speed Manual,T3340
 EPE = Engine - 2.5L Power Tech I-4 Cyl. DDQ = 5-Speed Manual Transmission
 ERH = 4.0L Power Tech I-6 Engine DDG = 5-Speed HD Manual Transmission
 ENO = Engines - ALL 4/5 CYL Turbo Diesel DGD = 3-Spd. Automatic 30RH Transmission
 ERO = Engines - All 4.0L 6 Cyl Gas DGK = 4-Spd. Automatic 42RE Transmission
 EP0 = ENGINES - ALL 2.5L 4 CYL GAS DGS = 4-Speed Automatic AW4 Transmission
 DGT = 4-Spd. Automatic 46RE Transmission
 DGW = TRANSMISSION - 4-SPD. AUTOMATIC,44RE
 DGX = 4-Speed Automatic Transmission
 DGY = No Description Available
 DGZ = Transmission- 4-Spd. Automatic,MT643
 DBB = ALL MANUAL TRANSMISSIONS
 DG0 = TRANSMISSIONS - ALL AUTOMATIC

AR = use ase required - = Non illustrated part

**Overdrive Clutch AW4 (DGS)
Figure AW4-410**



ITEM	PART NUMBER	QTY	LINE	SERIES	BODY	ENGINE	TRANS	TRIM	DESCRIPTION
	04886127AA	AR	J, U			ER0	DGS		52104210AB
		AR	B, T			ER0	DGS		52104180AB
15	83503810	1	J, U			ER0	DGS		SNAP RING
		1	B, T			ER0	DGS		52104210AB
16	83503928	1	J, U			ER0	DGS		52104180AB
		1	B, T			ER0	DGS		SPRING, Piston Return
17	83503926	1	J, U			ER0	DGS		O RING, Transmission Clutch Piston Outer
		1	B, T			ER0	DGS		
18		1							BEARING, (NOT SERVICED)
19	04637025AB	1	J, U			ER0	DGS		DRUM PACKAGE, Transmission
		1	B, T			ER0	DGS		
20	04886126AA	1	J, U			ER0	DGS		DISC AND PLATE PACKAGE
		1	B, T			ER0	DGS		52104210AB
21	83503811	1	J, U			ER0	DGS		O RING, Transmission Clutch Piston Inner

CHEROKEE (XJ)

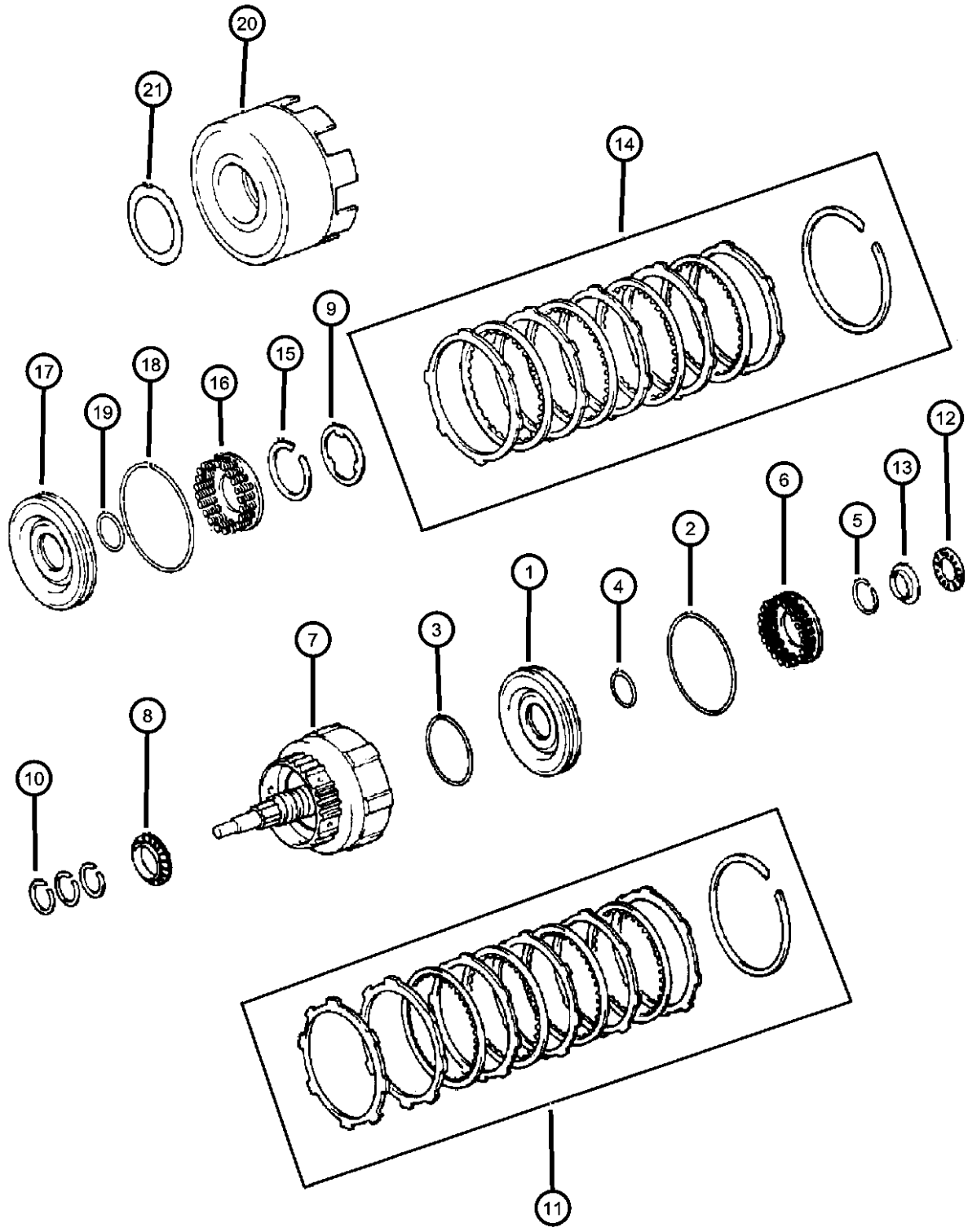
SERIES LINE
 L = LOWLINE B = JEEP - 2WD (RHD)
 U = JEEP - 4WD (RHD)
 T = LHD - (2WD)
 J = JEEP - - LHD (4WD)

BODY
 72 = 2DR (101.4 WB)
 74 = 4 DR (101.4 WB)

ENGINE TRANSMISSION
 ENC = 2.5L 4 Cyl Turbo Diesel Engine
 EPE = Engine - 2.5L Power Tech I-4 Cyl.
 ERH = 4.0L Power Tech I-6 Engine
 ENO = Engines - ALL 4/5 CYL Turbo Diesel
 ERO = Engines - All 4.0L 6 Cyl Gas
 EPO = ENGINES - ALL 2.5L 4 CYL GAS
 DCB = Transmission - 4-Speed Manual,T3340
 DDQ = 5-Speed Manual Transmission
 DDX = 5-Speed HD Manual Transmission
 DGD = 3-Spd. Automatic 30RH Transmission
 DGK = 4-Spd. Automatic 42RE Transmission
 DGS = 4-Speed Automatic AW4 Transmission
 DGT = 4-Spd. Automatic 46RE Transmission
 DGW = TRANSMISSION - 4-SPD. AUTOMATIC,44RE
 DGX = 4-Speed Automatic Transmission
 DGY = No Description Available
 DGZ = Transmission- 4-Spd. Automatic,MT643
 DBB = ALL MANUAL TRANSMISSIONS
 DGO = TRANSMISSIONS - ALL AUTOMATIC

AR = use ase required - = Non illustrated part

**Clutches, Forward and Direct AW4 (DGS)
Figure AW4-420**



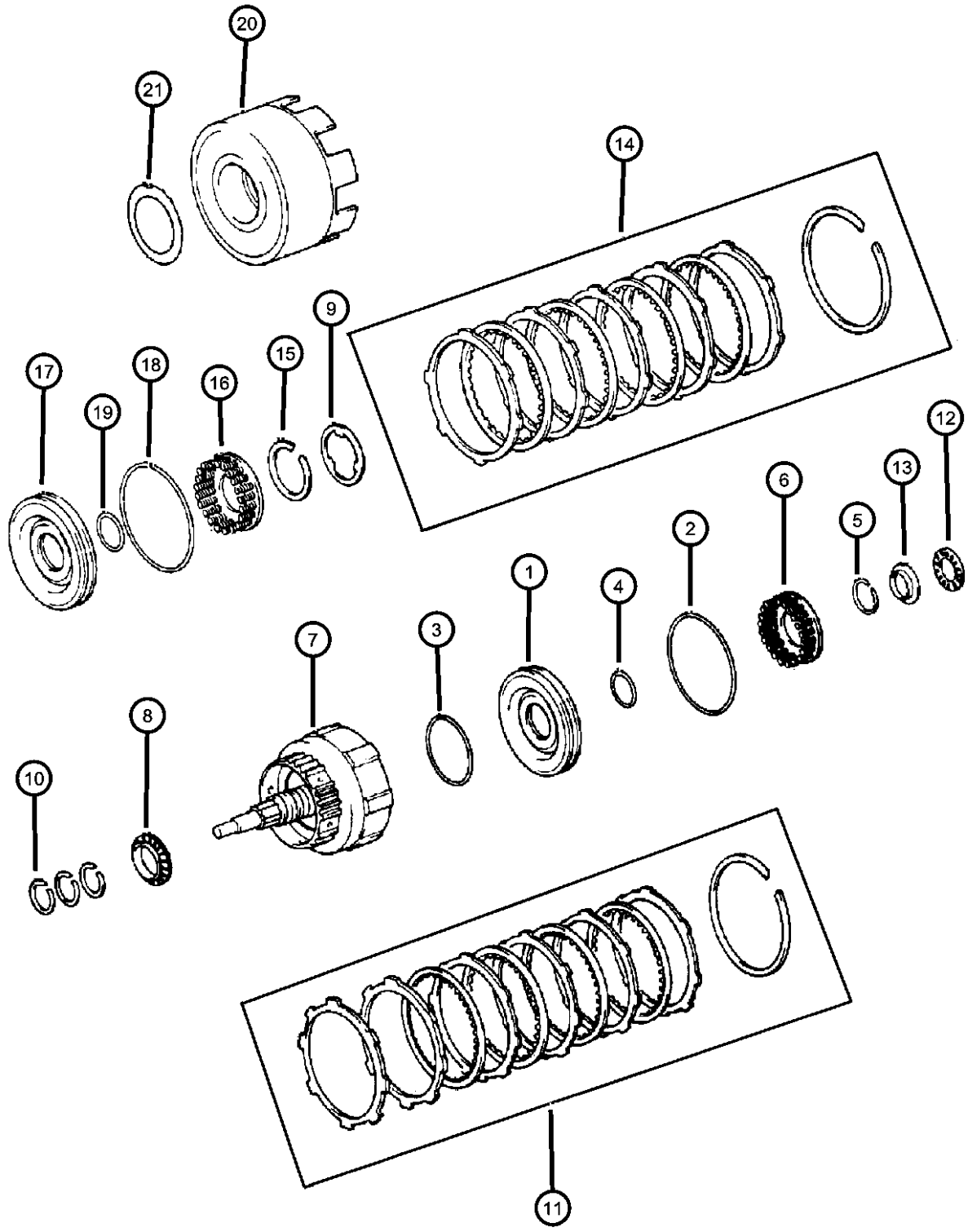
ITEM	PART NUMBER	QTY	LINE	SERIES	BODY	ENGINE	TRANS	TRIM	DESCRIPTION
1	04636683	1	J, U			ER0	DGS		PISTON, Clutch
		1	B, T			ER0	DGS		
2	04637006	AR	B, T			ER0	DGS		O RING, Transmission Clutch
		AR	J, U			ER0	DGS		
3	04626170	1	J, U			ER0	DGS		O RING, Transmission Clutch
		1	B, T			ER0	DGS		
4	04626176	1	J, U			ER0	DGS		O RING, Transmission Clutch
		1	B, T			ER0	DGS		
5	83503792	1	J, U			ER0	DGS		SNAP RING
		1	B, T			ER0	DGS		
6	83503793	1	J, U			ER0	DGS		SPRING, Clutch
		1	B, T			ER0	DGS		
7	04626169	1	J, U			ER0	DGS		INPUT SHAFT, Transmission

Notes:
ER0 = All 4.0L 6 Cylinder Gas Engines
DGS = Aisin Warner 4 Speed Automatic Transmission

CHEROKEE (XJ)				
SERIES	LINE	BODY	ENGINE	TRANSMISSION
L = LOWLINE	B = JEEP - 2WD (RHD) U = JEEP - 4WD (RHD) T = LHD - (2WD) J = JEEP - - LHD (4WD)	72 = 2DR (101.4 WB) 74 = 4 DR (101.4 WB)	ENC = 2.5L 4 Cyl Turbo Diesel Engine EPE = Engine - 2.5L Power Tech I-4 Cyl. ERH = 4.0L Power Tech I-6 Engine ENO = Engines - ALL 4/5 CYL Turbo Diesel ERO = Engines - All 4.0L 6 Cyl Gas EPO = ENGINES - ALL 2.5L 4 CYL GAS	DCB = Transmission - 4-Speed Manual,T3340 DDQ = 5-Speed Manual Transmission DDX = 5-Speed HD Manual Transmission DGD = 3-Spd. Automatic 30RH Transmission DGK = 4-Spd. Automatic 42RE Transmission DGS = 4-Speed Automatic AW4 Transmission DGT = 4-Spd. Automatic 46RE Transmission DGW = TRANSMISSION - 4-SPD. AUTOMATIC,44RE DGX = 4-Speed Automatic Transmission DGY = No Description Available DGZ = Transmission- 4-Spd. Automatic,MT643 DBB = ALL MANUAL TRANSMISSIONS DGO = TRANSMISSIONS - ALL AUTOMATIC

AR = use ase required - = Non illustrated part

**Clutches, Forward and Direct AW4 (DGS)
Figure AW4-420**



ITEM	PART NUMBER	QTY	LINE	SERIES	BODY	ENGINE	TRANS	TRIM	DESCRIPTION
8		1	B, T			ER0	DGS		BEARING, Forward Clutch
	83503785	1	J, U			ER0	DGS		
9		1	B, T			ER0	DGS		THRUST WASHER, Direct Clutch
	83503825	1	J, U			ER0	DGS		
10		1	B, T			ER0	DGS		SEAL, Input Shaft
	83503799	3	J, U			ER0	DGS		
		3	B, T			ER0	DGS		
11		1	J, U			ER0	DGS		CLUTCH, Front
	04637022	1	B, T			ER0	DGS		
12		1	J, U			ER0	DGS		THRUST BEARING
	83503802	1	B, T			ER0	DGS		
13		1	J, U			ER0	DGS		RACE, Thrust Bearing
	83503800	1	B, T			ER0	DGS		52104210AB
		1	J, U			ER0	DGS		52104180AB
14		1	J, U			ER0	DGS		CLUTCH PACKAGE, Direct Clutch
	04886043AA	1	B, T			ER0	DGS		52104210AB
		1				ER0	DGS		52104180AB

CHEROKEE (XJ)

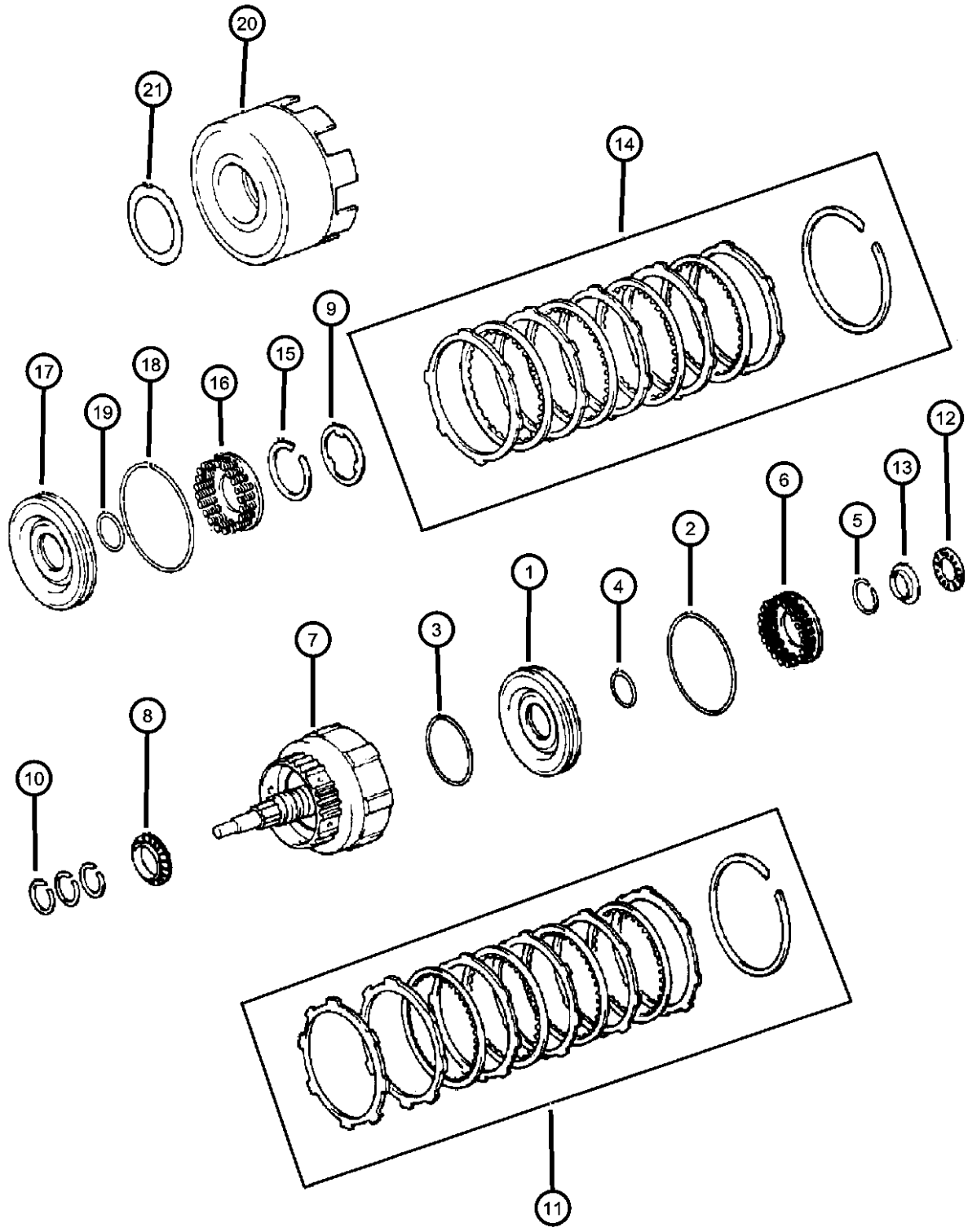
SERIES LINE
 L = LOWLINE B = JEEP - 2WD (RHD)
 U = JEEP - 4WD (RHD)
 T = LHD - (2WD)
 J = JEEP - - LHD (4WD)

BODY
 72 = 2DR (101.4 WB)
 74 = 4 DR (101.4 WB)

ENGINE TRANSMISSION
 ENC = 2.5L 4 Cyl Turbo Diesel Engine
 EPE = Engine - 2.5L Power Tech I-4 Cyl.
 ERH = 4.0L Power Tech I-6 Engine
 ENO = Engines - ALL 4/5 CYL Turbo Diesel
 ERO = Engines - All 4.0L 6 Cyl Gas
 EPO = ENGINES - ALL 2.5L 4 CYL GAS
 DCB = Transmission - 4-Speed Manual, T3340
 DDQ = 5-Speed Manual Transmission
 DDX = 5-Speed HD Manual Transmission
 DGD = 3-Spd. Automatic 30RH Transmission
 DGK = 4-Spd. Automatic 42RE Transmission
 DGS = 4-Speed Automatic AW4 Transmission
 DGT = 4-Spd. Automatic 46RE Transmission
 DGW = TRANSMISSION - 4-SPD. AUTOMATIC, 44RE
 DGX = 4-Speed Automatic Transmission
 DGY = No Description Available
 DGZ = Transmission- 4-Spd. Automatic, MT643
 DBB = ALL MANUAL TRANSMISSIONS
 DGO = TRANSMISSIONS - ALL AUTOMATIC

AR = use ase required - = Non illustrated part

**Clutches, Forward and Direct AW4 (DGS)
Figure AW4-420**



ITEM	PART NUMBER	QTY	LINE	SERIES	BODY	ENGINE	TRANS	TRIM	DESCRIPTION
15	83503792	1	J, U			ER0	DGS		SNAP RING
		1	B, T			ER0	DGS		
16	83503793	1	J, U			ER0	DGS		SPRING, Clutch
		1	B, T			ER0	DGS		
17	04636683	1	J, U			ER0	DGS		PISTON, Clutch
		1	B, T			ER0	DGS		
18	04637006	AR	B, T			ER0	DGS		O RING, Transmission Clutch
		AR	J, U			ER0	DGS		
19	83503811	1	J, U			ER0	DGS		O RING, Transmission Clutch Piston Inner
		1	B, T			ER0	DGS		52104210AB 52104180AB
20	04883917AA	1	J, U			ER0	DGS		DRUM, Automatic Transmission
		1	B, T			ER0	DGS		
21		1							THRUST WASHER, Direct Clutch, (NOT SERVICED)

CHEROKEE (XJ)

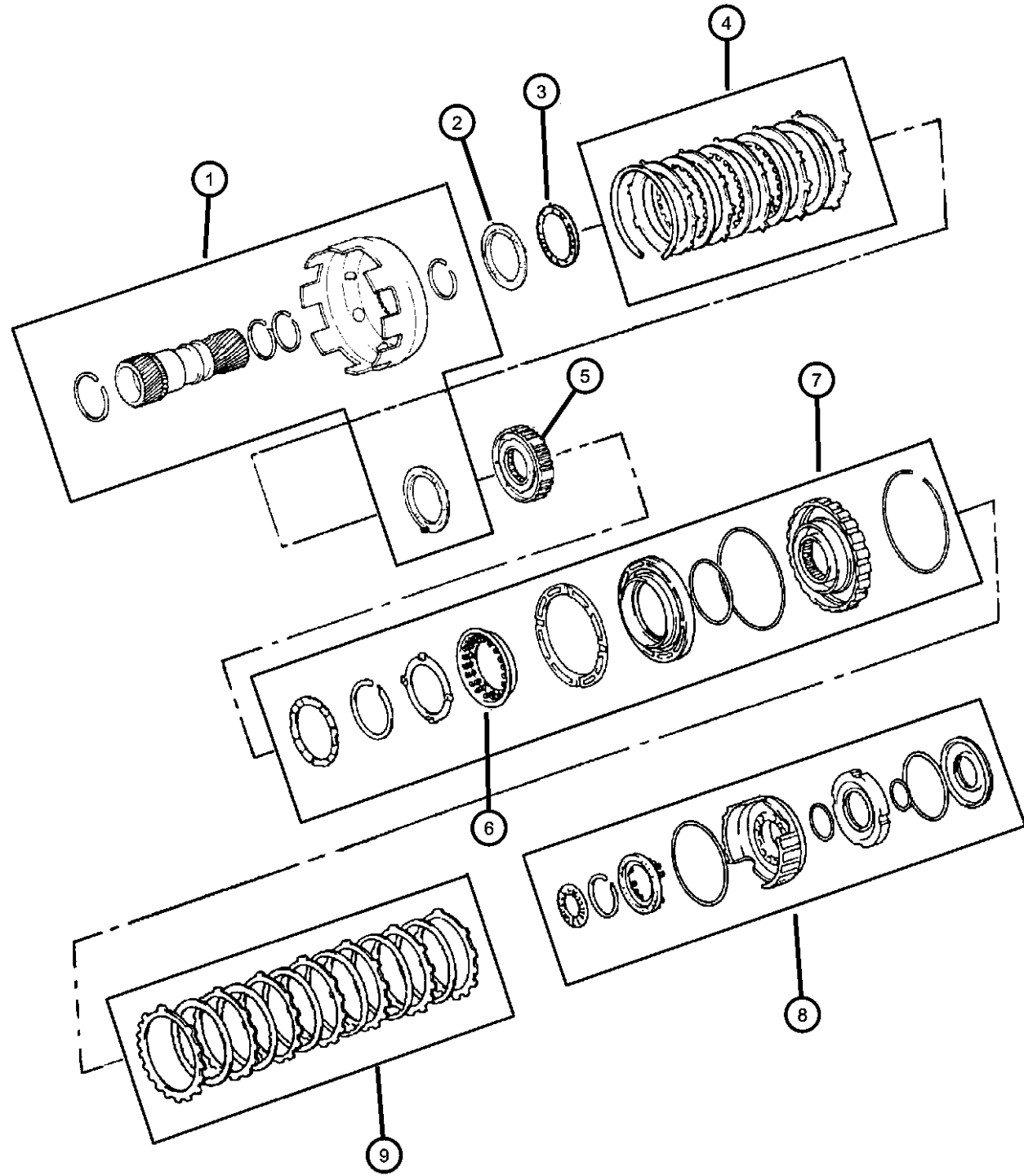
SERIES LINE
 L = LOWLINE B = JEEP - 2WD (RHD)
 U = JEEP - 4WD (RHD)
 T = LHD - (2WD)
 J = JEEP - - LHD (4WD)

BODY
 72 = 2DR (101.4 WB)
 74 = 4 DR (101.4 WB)

ENGINE TRANSMISSION
 ENC = 2.5L 4 Cyl Turbo Diesel Engine DCB = Transmission - 4-Speed Manual,T3340
 EPE = Engine - 2.5L Power Tech I-4 Cyl. DDQ = 5-Speed Manual Transmission
 ERH = 4.0L Power Tech I-6 Engine DDG = 5-Speed HD Manual Transmission
 ENO = Engines - ALL 4/5 CYL Turbo Diesel DGD = 3-Spd. Automatic 30RH Transmission
 ERO = Engines - All 4.0L 6 Cyl Gas DGK = 4-Spd. Automatic 42RE Transmission
 EP0 = ENGINES - ALL 2.5L 4 CYL GAS DGS = 4-Speed Automatic AW4 Transmission
 DGT = 4-Spd. Automatic 46RE Transmission
 DGW = TRANSMISSION - 4-SPD. AUTOMATIC,44RE
 DGX = 4-Speed Automatic Transmission
 DGY = No Description Available
 DGZ = Transmission- 4-Spd. Automatic,MT643
 DBB = ALL MANUAL TRANSMISSIONS
 DG0 = TRANSMISSIONS - ALL AUTOMATIC

AR = use ase required - = Non illustrated part

**Clutch and Sun Gear AW4 (DGS)
Figure AW4-430**



ITEM	PART NUMBER	QTY	LINE	SERIES	BODY	ENGINE	TRANS	TRIM	DESCRIPTION
------	-------------	-----	------	--------	------	--------	-------	------	-------------

Notes:
ER0 = All 4.0L 6 Cylinder Gas Engines
DGS = Aisin Warner 4 Speed Automatic Transmission

1	04637035	AR	J, U			ER0	DGS		GEAR PACKAGE, Sun
		AR	B, T			ER0	DGS		
2	83503872	1	J, U			ER0	DGS		RACE, Thrust Bearing 52104210AB
		1	B, T			ER0	DGS		52104180AB
3	83503878	1	J, U			ER0	DGS		THRUST BEARING, Needle Roller
		1	B, T			ER0	DGS		
4	04886124AA	1	J, U			ER0	DGS		REPAIR PACKAGE, 2nd Brake Coast
		1	B, T			ER0	DGS		
5	04637008	1	J, U			ER0	DGS		CLUTCH, Overrunning
		1	B, T			ER0	DGS		
6	83503837	1	J, U			ER0	DGS		SPRING, Return 2nd Brake
		1	B, T			ER0	DGS		
7	04636979	1	J, U			ER0	DGS		REPAIR PACKAGE, 2nd Brake Coast

CHEROKEE (XJ)

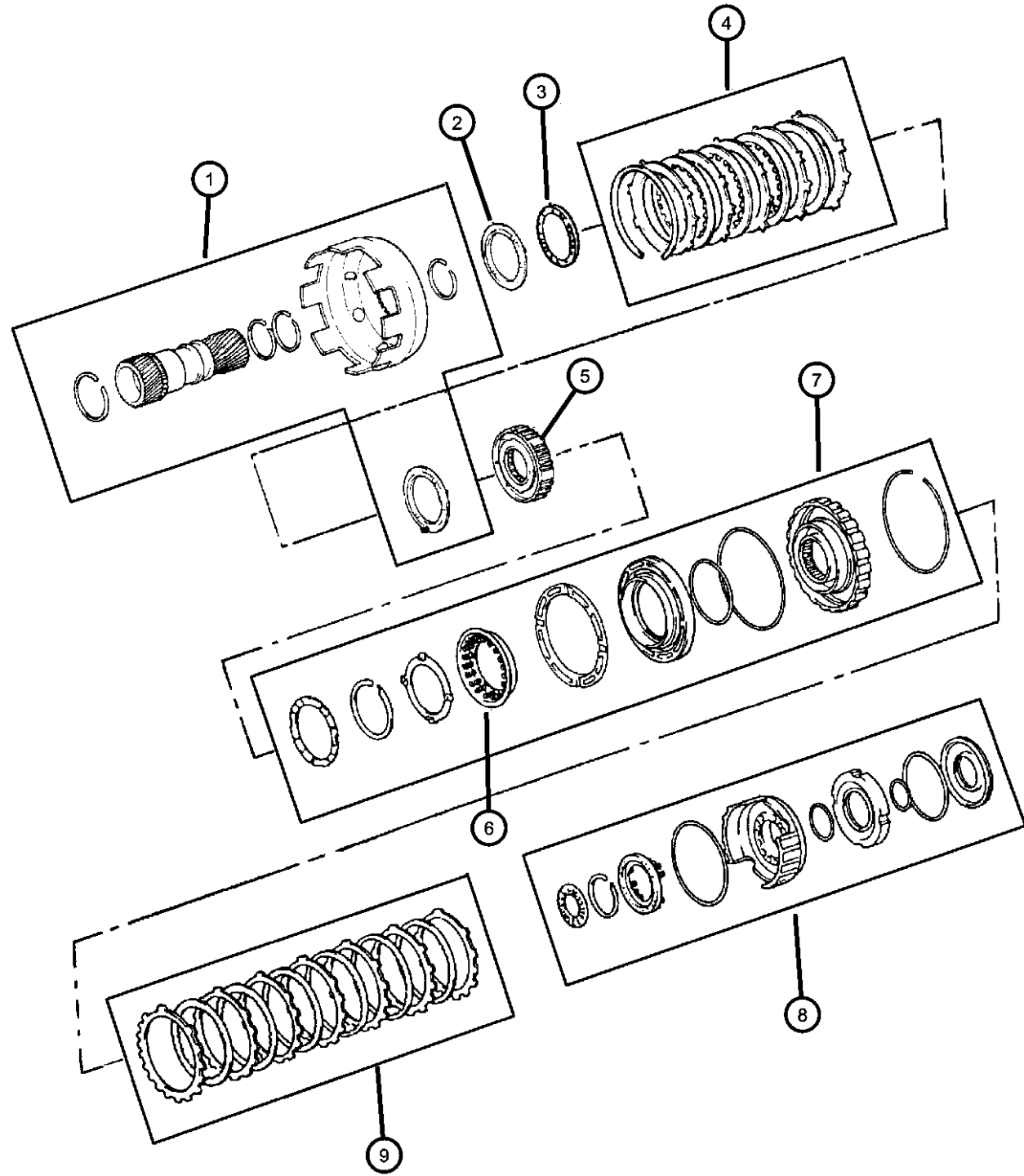
SERIES LINE
L = LOWLINE B = JEEP - 2WD (RHD)
U = JEEP - 4WD (RHD)
T = LHD - (2WD)
J = JEEP - - LHD (4WD)

BODY
72 = 2DR (101.4 WB)
74 = 4 DR (101.4 WB)

ENGINE TRANSMISSION
ENC = 2.5L 4 Cyl Turbo Diesel Engine
EPE = Engine - 2.5L Power Tech I-4 Cyl.
ERH = 4.0L Power Tech I-6 Engine
ENO = Engines - ALL 4/5 CYL Turbo Diesel
ERO = Engines - All 4.0L 6 Cyl Gas
EPO = ENGINES - ALL 2.5L 4 CYL GAS
DCB = Transmission - 4-Speed Manual,T3340
DDQ = 5-Speed Manual Transmission
DDX = 5-Speed HD Manual Transmission
DGD = 3-Spd. Automatic 30RH Transmission
DGK = 4-Spd. Automatic 42RE Transmission
DGS = 4-Speed Automatic AW4 Transmission
DGT = 4-Spd. Automatic 46RE Transmission
DGW = TRANSMISSION - 4-SPD. AUTOMATIC,44RE
DGX = 4-Speed Automatic Transmission
DGY = No Description Available
DGZ = Transmission- 4-Spd. Automatic,MT643
DBB = ALL MANUAL TRANSMISSIONS
DGO = TRANSMISSIONS - ALL AUTOMATIC

AR = use ase required - = Non illustrated part

Clutch and Sun Gear AW4 (DGS)
Figure AW4-430



ITEM	PART NUMBER	QTY	LINE	SERIES	BODY	ENGINE	TRANS	TRIM	DESCRIPTION
8		1	B, T			ER0	DGS		GEAR PACKAGE, First And Reverse
	04637032	1	J, U			ER0	DGS		
9		1	B, T			ER0	DGS		DISC AND PLATE PACKAGE
	04883921AA	1	J, U			ER0	DGS		
		1	B, T			ER0	DGS		

CHEROKEE (XJ)

SERIES LINE
L = LOWLINE B = JEEP - 2WD (RHD)
U = JEEP - 4WD (RHD)
T = LHD - (2WD)
J = JEEP - - LHD (4WD)

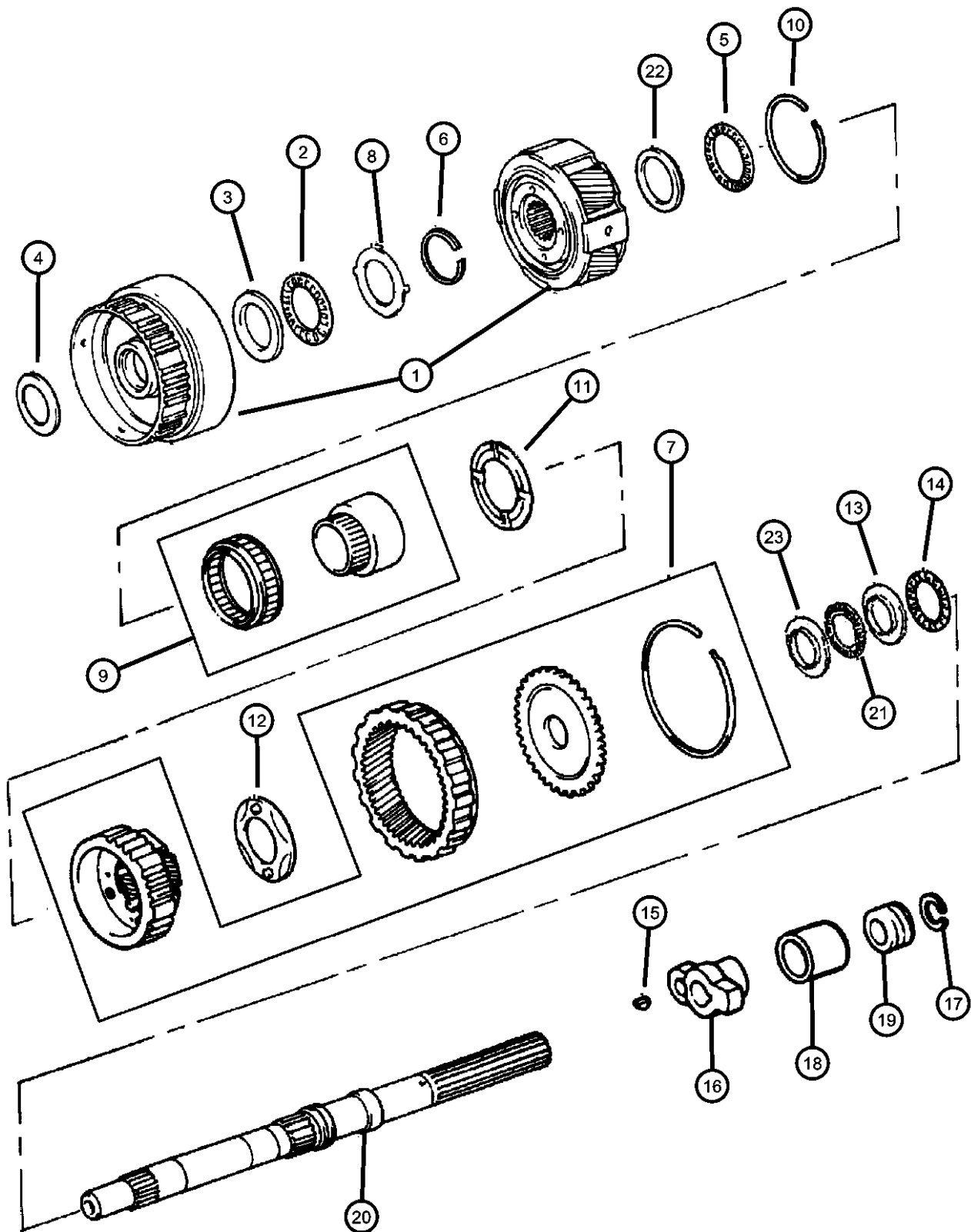
BODY
72 = 2DR (101.4 WB)
74 = 4 DR (101.4 WB)

ENGINE TRANSMISSION
ENC = 2.5L 4 Cyl Turbo Diesel Engine
EPE = Engine - 2.5L Power Tech I-4 Cyl.
ERH = 4.0L Power Tech I-6 Engine
ENO = Engines - ALL 4/5 CYL Turbo Diesel
ERO = Engines - All 4.0L 6 Cyl Gas
EPO = ENGINES - ALL 2.5L 4 CYL GAS
DCB = Transmission - 4-Speed Manual,T3340
DDQ = 5-Speed Manual Transmission
DDX = 5-Speed HD Manual Transmission
DGD = 3-Spd. Automatic 30RH Transmission
DGK = 4-Spd. Automatic 42RE Transmission
DGS = 4-Speed Automatic AW4 Transmission
DGT = 4-Spd. Automatic 46RE Transmission
DGW = TRANSMISSION - 4-SPD. AUTOMATIC,44RE
DGX = 4-Speed Automatic Transmission
DGY = No Description Available
DGZ = Transmission- 4-Spd. Automatic,MT643
DBB = ALL MANUAL TRANSMISSIONS
DGO = TRANSMISSIONS - ALL AUTOMATIC

AR = use ase required - = Non illustrated part

1998 XJ

**Gear Train AW4 (DGS)
Figure AW4-440**



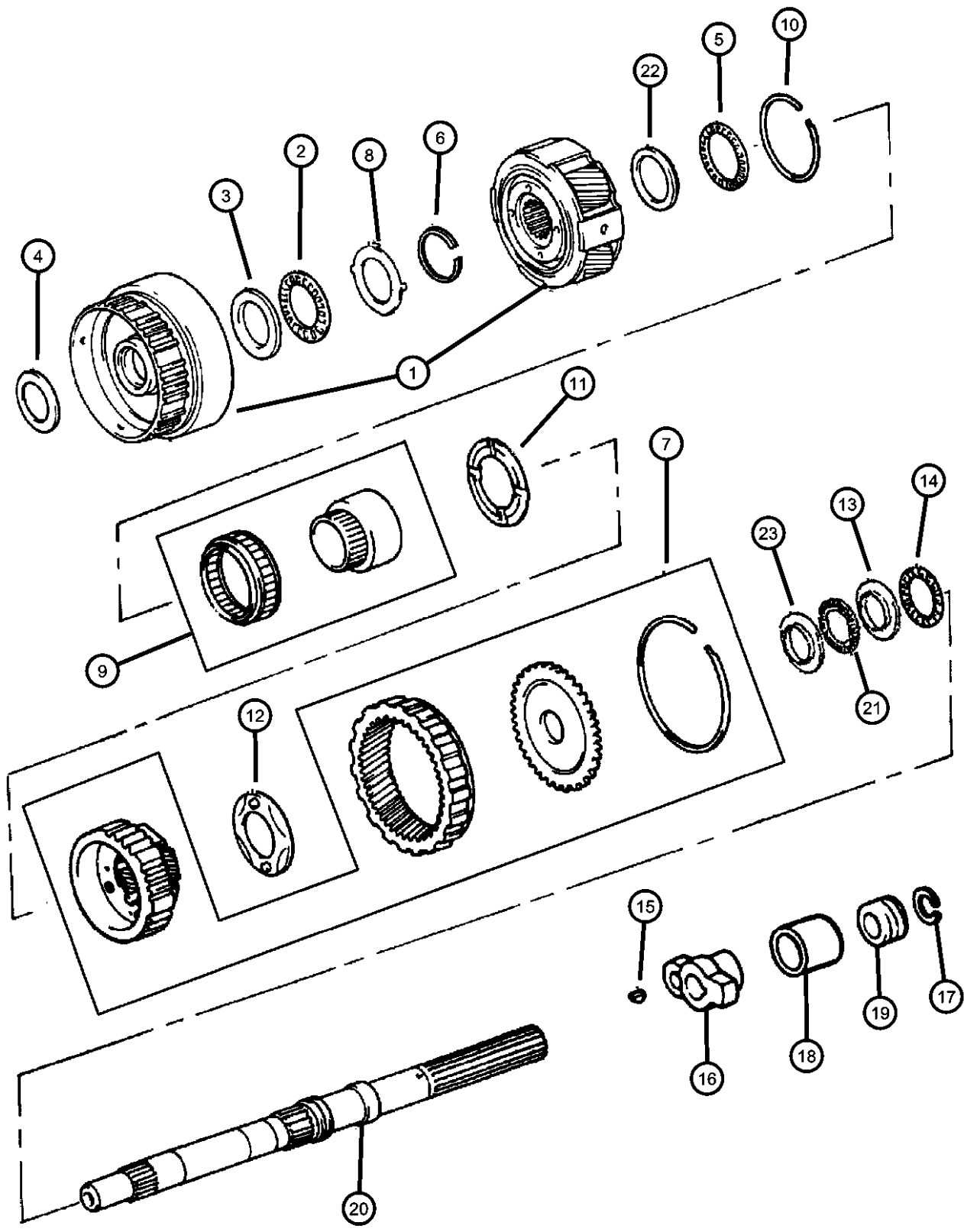
ITEM	PART NUMBER	QTY	LINE	SERIES	BODY	ENGINE	TRANS	TRIM	DESCRIPTION
1	83504326	1	B, T			ER0	DGS		GEAR, Planetary
		1	J, U			ER0	DGS		
2	83503802	1	J, U			ER0	DGS		THRUST BEARING
		1	B, T			ER0	DGS		
3	04637023	AR	J, U			ER0	DGS		THRUST BEARING PACKAGE, Overdrive
		AR	B, T			ER0	DGS		
4	83503801	1	J, U			ER0	DGS		RACE, Thrust Bearing
		1	B, T			ER0	DGS		52104210AB
5	83503878	1	J, U			ER0	DGS		THRUST BEARING, Needle Roller
		1	B, T			ER0	DGS		52104180AB
6	83503879	1	J, U			ER0	DGS		SNAP RING
		1	B, T			ER0	DGS		52104210AB
7	04886128AA	AR	J, U			ER0	DGS		GEAR PACKAGE, Planetary Overdrive
		AR	J, U			ER0	DGS		52104210AB

CHEROKEE (XJ)

SERIES	LINE	BODY	ENGINE	TRANSMISSION
L = LOWLINE	B = JEEP - 2WD (RHD) U = JEEP - 4WD (RHD) T = LHD - (2WD) J = JEEP - - LHD (4WD)	72 = 2DR (101.4 WB) 74 = 4 DR (101.4 WB)	ENC = 2.5L 4 Cyl Turbo Diesel Engine EPE = Engine - 2.5L Power Tech I-4 Cyl. ERH = 4.0L Power Tech I-6 Engine ENO = Engines - ALL 4/5 CYL Turbo Diesel ERO = Engines - All 4.0L 6 Cyl Gas EPO = ENGINES - ALL 2.5L 4 CYL GAS	DCB = Transmission - 4-Speed Manual, T3340 DDQ = 5-Speed Manual Transmission DDX = 5-Speed HD Manual Transmission DGD = 3-Spd. Automatic 30RH Transmission DGK = 4-Spd. Automatic 42RE Transmission DGS = 4-Speed Automatic AW4 Transmission DGT = 4-Spd. Automatic 46RE Transmission DGW = TRANSMISSION - 4-SPD. AUTOMATIC, 44RE DGX = 4-Speed Automatic Transmission DGY = No Description Available DGZ = Transmission- 4-Spd. Automatic, MT643 DBB = ALL MANUAL TRANSMISSIONS DGO = TRANSMISSIONS - ALL AUTOMATIC

AR = use ase required - = Non illustrated part

**Gear Train AW4 (DGS)
Figure AW4-440**



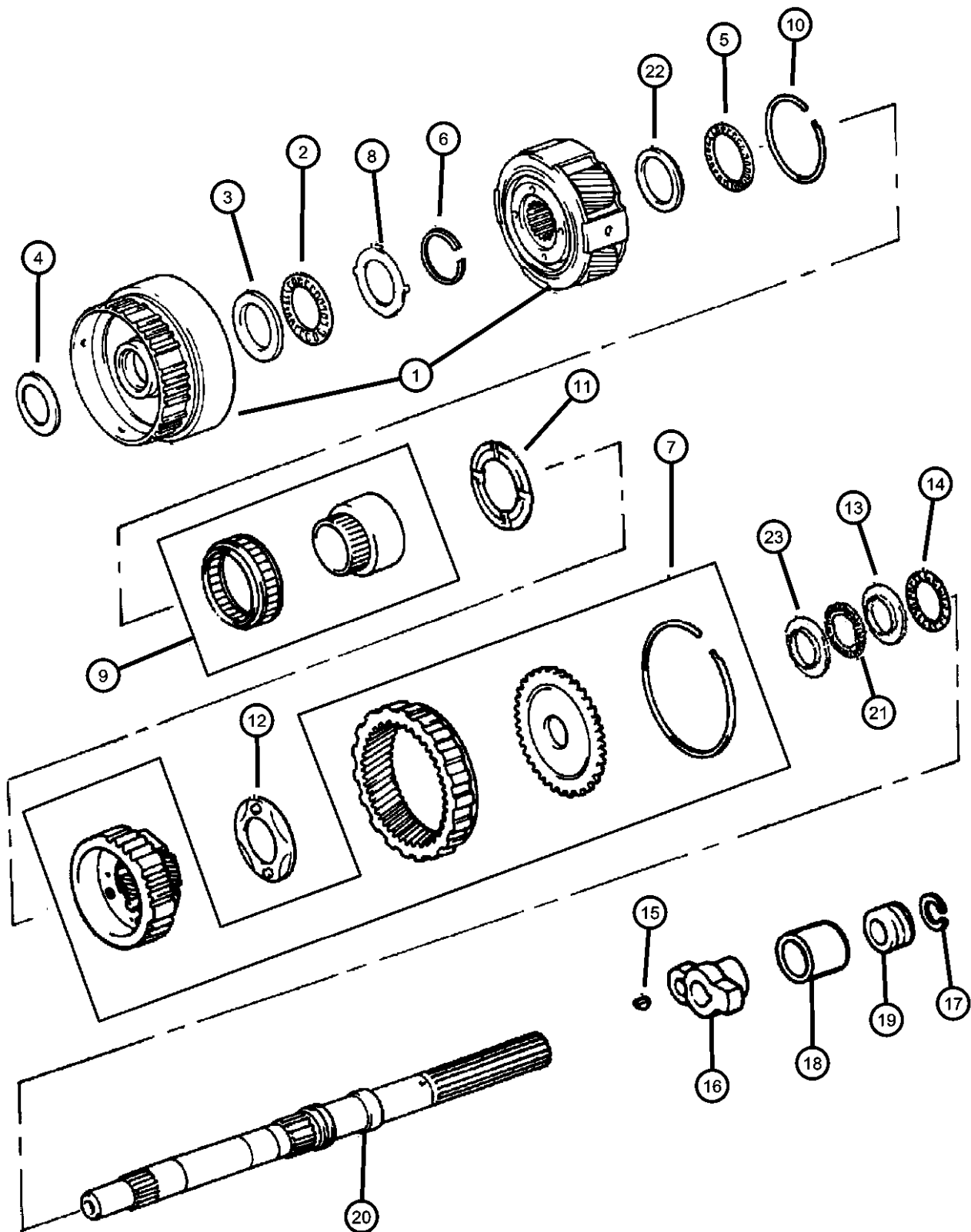
ITEM	PART NUMBER	QTY	LINE	SERIES	BODY	ENGINE	TRANS	TRIM	DESCRIPTION
8		AR	B, T			ER0	DGS		52104180AB THRUST BEARING PACKAGE, Overdrive
	04637023	AR	J, U			ER0	DGS		52104210AB
9		AR	B, T			ER0	DGS		52104180AB CLUTCH PACKAGE
	04637036	AR	B, T			ER0	DGS		52104180AB
		AR	J, U			ER0	DGS		52104210AB
10									SNAP RING
	83503890	1	J, U			ER0	DGS		52104210AB
		1	B, T			ER0	DGS		52104180AB
11									THRUST WASHER, Planetary Carrier
	83503891	1	J, U			ER0	DGS		52104210AB
		1	B, T			ER0	DGS		52104180AB
12									THRUST WASHER, Planetary Carrier
	83503893	1	J, U			ER0	DGS		52104210AB
		1	B, T			ER0	DGS		52104180AB
13									RACE, Thrust Bearing
	83503887	1	J, U			ER0	DGS		52104210AB
		1	B, T			ER0	DGS		52104180AB
14									THRUST BEARING, Needle Roller
	83503897	1	J, U			ER0	DGS		52104210AB

CHEROKEE (XJ)

SERIES	LINE	BODY	ENGINE	TRANSMISSION
L = LOWLINE	B = JEEP - 2WD (RHD) U = JEEP - 4WD (RHD) T = LHD - (2WD) J = JEEP - - LHD (4WD)	72 = 2DR (101.4 WB) 74 = 4 DR (101.4 WB)	ENC = 2.5L 4 Cyl Turbo Diesel Engine EPE = Engine - 2.5L Power Tech I-4 Cyl. ERH = 4.0L Power Tech I-6 Engine ENO = Engines - ALL 4/5 CYL Turbo Diesel ERO = Engines - All 4.0L 6 Cyl Gas EPO = ENGINES - ALL 2.5L 4 CYL GAS	DCB = Transmission - 4-Speed Manual, T3340 DDQ = 5-Speed Manual Transmission DDX = 5-Speed HD Manual Transmission DGD = 3-Spd. Automatic 30RH Transmission DGK = 4-Spd. Automatic 42RE Transmission DGS = 4-Speed Automatic AW4 Transmission DGT = 4-Spd. Automatic 46RE Transmission DGW = TRANSMISSION - 4-SPD. AUTOMATIC, 44RE DGX = 4-Speed Automatic Transmission DGY = No Description Available DGZ = Transmission- 4-Spd. Automatic, MT643 DBB = ALL MANUAL TRANSMISSIONS DGO = TRANSMISSIONS - ALL AUTOMATIC

AR = use ase required - = Non illustrated part

**Gear Train AW4 (DGS)
Figure AW4-440**

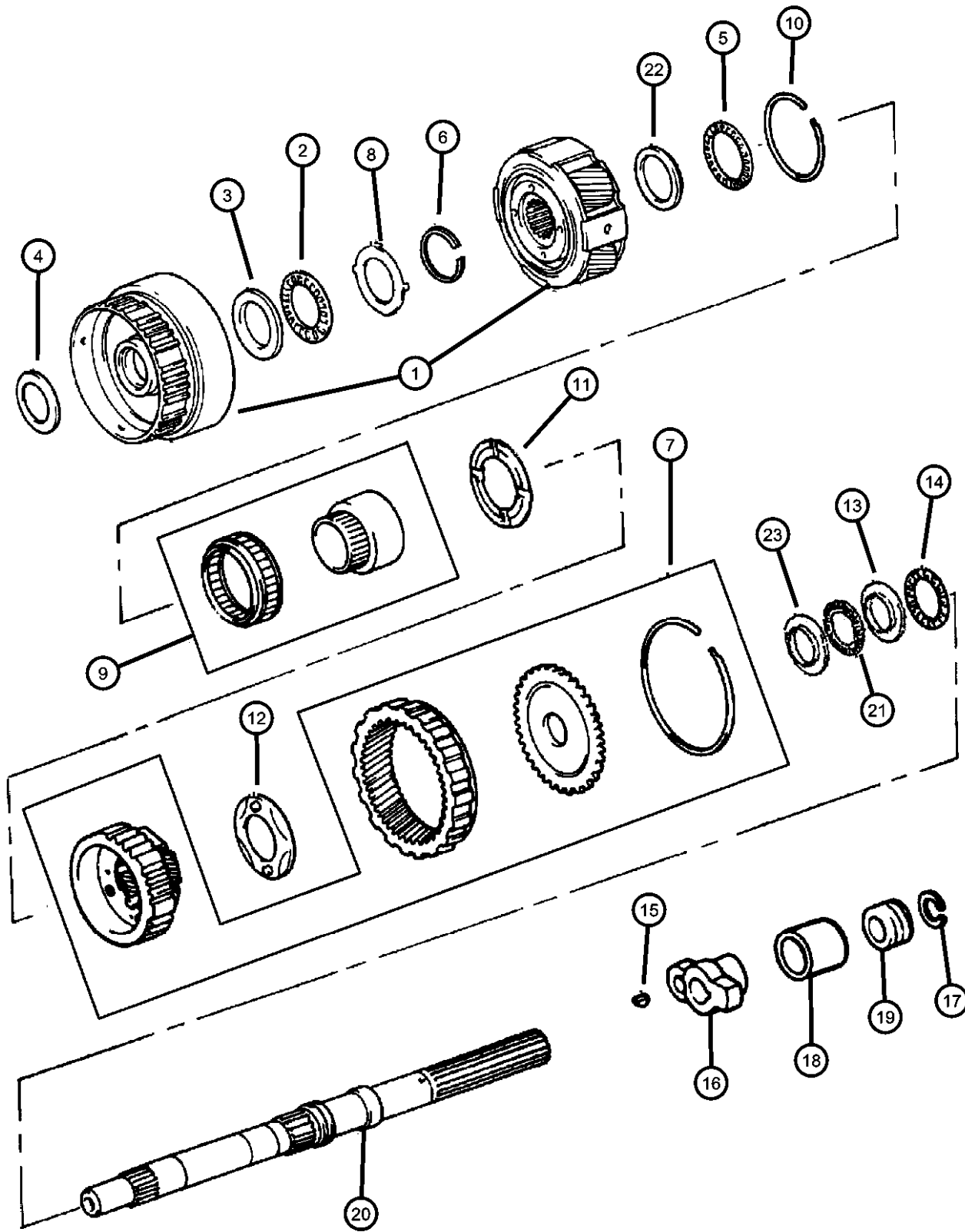


ITEM	PART NUMBER	QTY	LINE	SERIES	BODY	ENGINE	TRANS	TRIM	DESCRIPTION
15		1	B, T			ER0	DGS		52104180AB KEY, Woodruff
	83503947	1	J, U			ER0	DGS		52104210AB
16		1	B, T			ER0	DGS		52104180AB GEAR, Speedometer Drive
	04897740AA	1	J, U			ER0	DGS		
		1	B, T			ER0	DGS		
17									SNAP RING 52104210AB
	83503943	1	J, U			ER0	DGS		
	83503945	1	B, T			ER0	DGS		52104180AB
18	04897741AA	1	B, T			ER0	DGS		SPACER, Speedometer Gear, 52104180AB
19	83503704	1	B, T			ER0	DGS		GEAR, Speedometer Drive, 52104180AB
20	83503944	1	B, T			ER0	DGS		SHAFT, Transmission, 52104180AB
21									THRUST BEARING, Needle Roller 52104210AB
	83503885	1	J, U			ER0	DGS		
		1	B, T			ER0	DGS		52104180AB
22									RACE, Thrust Bearing 52104210AB
	83503877	1	J, U			ER0	DGS		
		1	B, T			ER0	DGS		52104180AB
23									RACE, Thrust Bearing

CHEROKEE (XJ)
 SERIES LINE BODY ENGINE TRANSMISSION
 L = LOWLINE B = JEEP - 2WD (RHD) 72 = 2DR (101.4 WB) ENC = 2.5L 4 Cyl Turbo Diesel DCB = Transmission - 4-Speed Manual,T3340
 U = JEEP - 4WD (RHD) 74 = 4 DR (101.4 WB) EPE = Engine - 2.5L Power Tech I-4 Cyl. DDQ = 5-Speed Manual Transmission
 T = LHD - (2WD) ERH = 4.0L Power Tech I-6 Engine DDX = 5-Speed HD Manual Transmission
 J = JEEP - - LHD (4WD) ENO = Engines - ALL 4/5 CYL Turbo Diesel DGD = 3-Spd. Automatic 30RH Transmission
 ERO = Engines - All 4.0L 6 Cyl Gas DGK = 4-Spd. Automatic 42RE Transmission
 EPO = ENGINES - ALL 2.5L 4 CYL GAS DGS = 4-Speed Automatic AW4 Transmission
 DGT = 4-Spd. Automatic 46RE Transmission
 DGW = TRANSMISSION - 4-SPD. AUTOMATIC,44RE
 DGX = 4-Speed Automatic Transmission
 DGY = No Description Available
 DGZ = Transmission- 4-Spd. Automatic,MT643
 DBB = ALL MANUAL TRANSMISSIONS
 DGO = TRANSMISSIONS - ALL AUTOMATIC

AR = use ase required - = Non illustrated part

**Gear Train AW4 (DGS)
Figure AW4-440**



ITEM	PART NUMBER	QTY	LINE	SERIES	BODY	ENGINE	TRANS	TRIM	DESCRIPTION
	83503886	1	J, U			ER0	DGS		52104210AB
		1	B, T			ER0	DGS		52104180AB

CHEROKEE (XJ)

SERIES LINE
 L = LOWLINE B = JEEP - 2WD (RHD)
 U = JEEP - 4WD (RHD)
 T = LHD - (2WD)
 J = JEEP - - LHD (4WD)

BODY
 72 = 2DR (101.4 WB)
 74 = 4 DR (101.4 WB)

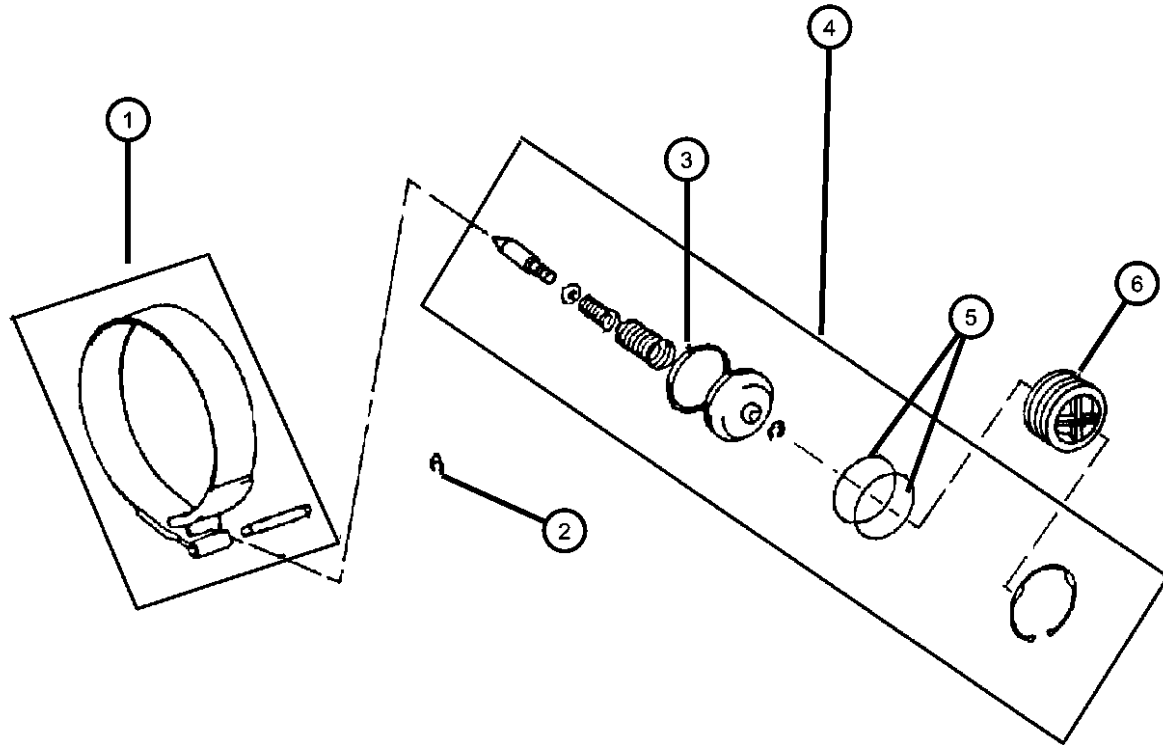
ENGINE TRANSMISSION
 ENC = 2.5L 4 Cyl Turbo Diesel Engine DCB = Transmission - 4-Speed Manual,T3340
 EPE = Engine - 2.5L Power Tech I-4 Cyl. DDQ = 5-Speed Manual Transmission
 ERH = 4.0L Power Tech I-6 Engine DDX = 5-Speed HD Manual Transmission
 ENO = Engines - ALL 4/5 CYL Turbo Diesel DGD = 3-Spd. Automatic 30RH Transmission
 ERO = Engines - All 4.0L 6 Cyl Gas DGK = 4-Spd. Automatic 42RE Transmission
 EPO = ENGINES - ALL 2.5L 4 CYL GAS DGS = 4-Speed Automatic AW4 Transmission
 DGT = 4-Spd. Automatic 46RE Transmission
 DGW = TRANSMISSION - 4-SPD. AUTOMATIC,44RE
 DGX = 4-Speed Automatic Transmission
 DGY = No Description Available
 DGZ = Transmission- 4-Spd. Automatic,MT643
 DBB = ALL MANUAL TRANSMISSIONS
 DGO = TRANSMISSIONS - ALL AUTOMATIC

AR = use ase required - = Non illustrated part

**Bands AW4 (DGS)
Figure AW4-510**

ITEM	PART NUMBER	QTY	LINE	SERIES	BODY	ENGINE	TRANS	TRIM	DESCRIPTION
1									BAND PACKAGE, Transmission Brake
	04886125AA	AR	B, T			ER0	DGS		
		AR	J, U			ER0	DGS		
2		AR							E RING, (NOT SERVICED)
3									SEAL, Transmission Brake
	83503849	1	J, U			ER0	DGS		
		1	B, T			ER0	DGS		
4									PISTON, Brake
	83504299	1	J, U			ER0	DGS		52104210AB
		1	B, T			ER0	DGS		52104180AB
5									O RING, Transmission Coast Break
	83503855	2	J, U			ER0	DGS		
		2	B, T			ER0	DGS		
6									COVER, Brake Band
	83503853	1	J, U			ER0	DGS		
		1	B, T			ER0	DGS		

Notes:
ER0 = All 4.0L 6 Cylinder Gas Engines
DGS = Aisin Warner 4 Speed Automatic Transmission



CHEROKEE (XJ)

SERIES LINE
L = LOWLINE B = JEEP - 2WD (RHD)
U = JEEP - 4WD (RHD)
T = LHD - (2WD)
J = JEEP - - LHD (4WD)

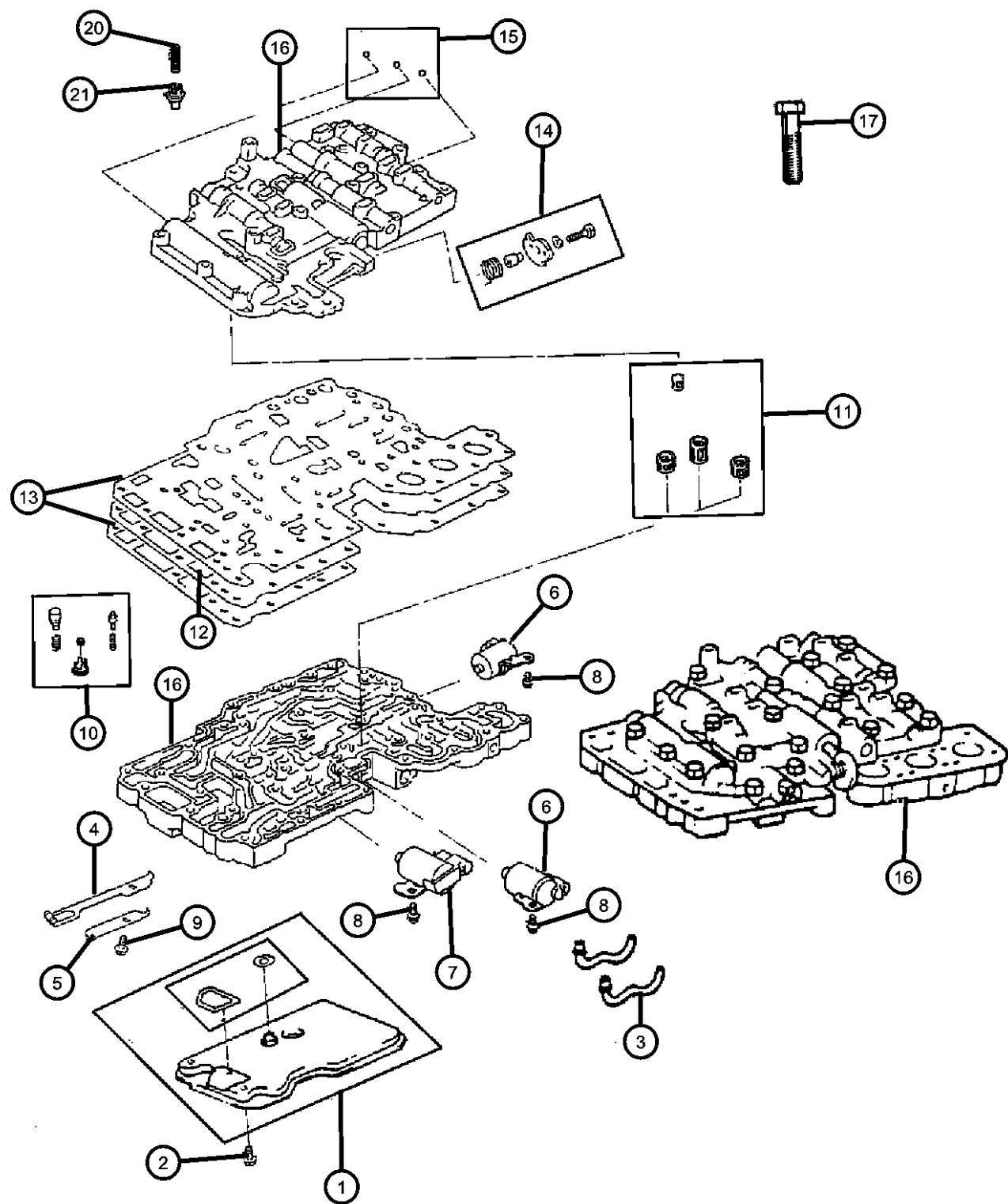
BODY
72 = 2DR (101.4 WB)
74 = 4 DR (101.4 WB)

ENGINE TRANSMISSION
ENC = 2.5L 4 Cyl Turbo Diesel Engine
EPE = Engine - 2.5L Power Tech I-4 Cyl.
ERH = 4.0L Power Tech I-6 Engine
ENO = Engines - ALL 4/5 CYL Turbo Diesel
ERO = Engines - All 4.0L 6 Cyl Gas
EPO = ENGINES - ALL 2.5L 4 CYL GAS
DCB = Transmission - 4-Speed Manual, T3340
DDQ = 5-Speed Manual Transmission
DDX = 5-Speed HD Manual Transmission
DGD = 3-Spd. Automatic 30RH Transmission
DGK = 4-Spd. Automatic 42RE Transmission
DGS = 4-Speed Automatic AW4 Transmission
DGT = 4-Spd. Automatic 46RE Transmission
DGW = TRANSMISSION - 4-SPD. AUTOMATIC, 44RE
DGX = 4-Speed Automatic Transmission
DGY = No Description Available
DGZ = Transmission- 4-Spd. Automatic, MT643
DBB = ALL MANUAL TRANSMISSIONS
DGO = TRANSMISSIONS - ALL AUTOMATIC

AR = use ase required - = Non illustrated part

1998 XJ

**Valve Body AW4 (DGS)
Figure AW4-710**



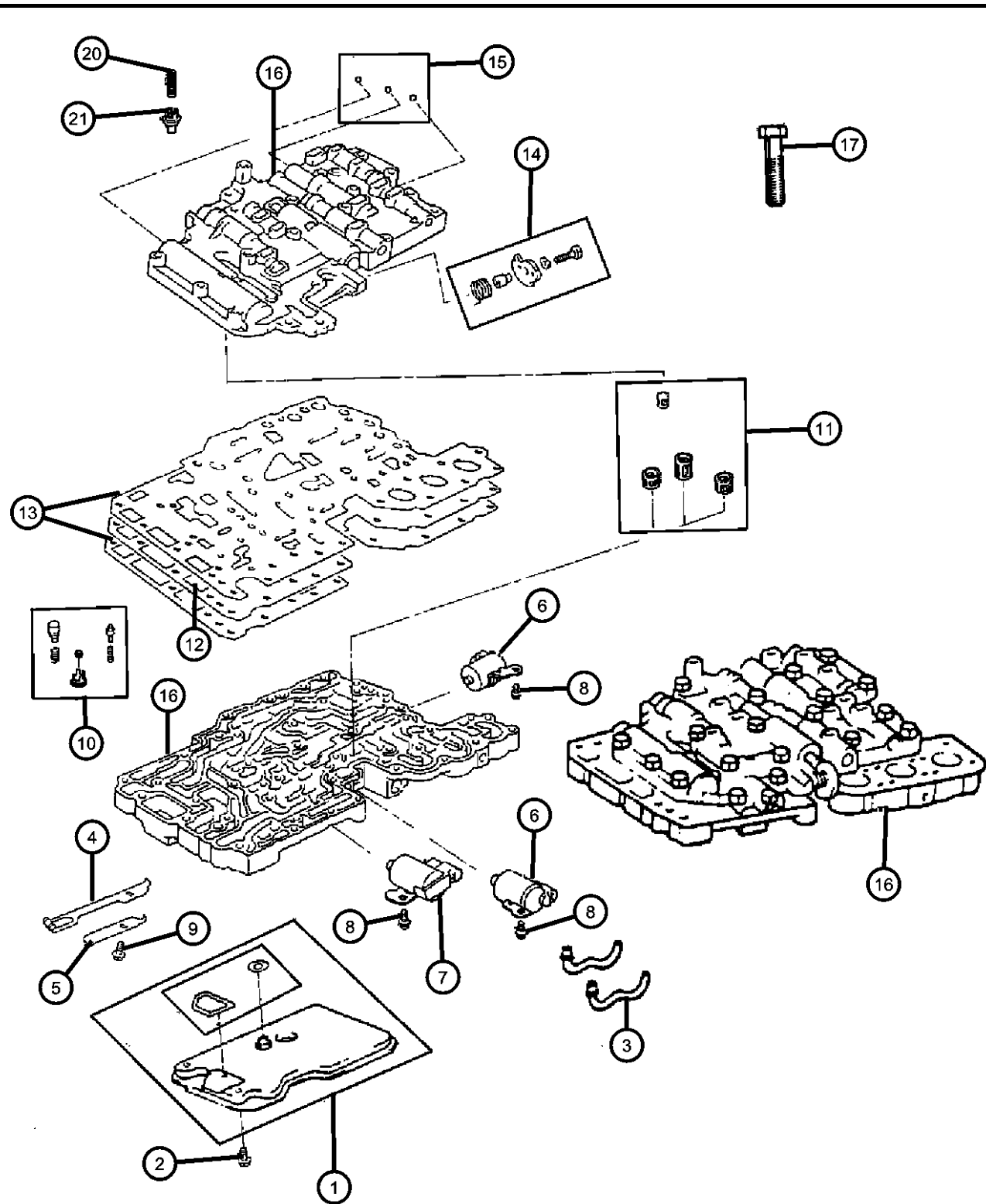
ITEM	PART NUMBER	QTY	LINE	SERIES	BODY	ENGINE	TRANS	TRIM	DESCRIPTION
1	83504032	1	J, U			ER0	DGS		FILTER, Valve Body
		1	B, T			ER0	DGS		
2	83504031	4	J, U			ER0	DGS		BOLT, Hex Head, M6x1.00x12
		4	B, T			ER0	DGS		
3	83504334	2	J, U			ER0	DGS		TUBE, Valve Body
		2	B, T			ER0	DGS		
4	83504016	1	J, U			ER0	DGS		SPRING, Detent Manual
		1	B, T			ER0	DGS		
5	83504015	1	J, U			ER0	DGS		COVER, Transmission Detent
		1	B, T			ER0	DGS		
6	04797402	2	J, U			ER0	DGS		SOLENOID, Transmission
		2	B, T			ER0	DGS		
7	04797403	1	J, U			ER0	DGS		SOLENOID, Transmission

Notes:
ER0 = All 4.0L 6 Cylinder Gas Engines
DGS = Aisin Warner 4 Speed Automatic Transmission

CHEROKEE (XJ)				
SERIES	LINE	BODY	ENGINE	TRANSMISSION
L = LOWLINE	B = JEEP - 2WD (RHD) U = JEEP - 4WD (RHD) T = LHD - (2WD) J = JEEP - - LHD (4WD)	72 = 2DR (101.4 WB) 74 = 4 DR (101.4 WB)	ENC = 2.5L 4 Cyl Turbo Diesel Engine EPE = Engine - 2.5L Power Tech I-4 Cyl. ERH = 4.0L Power Tech I-6 Engine ENO = Engines - ALL 4/5 CYL Turbo Diesel ER0 = Engines - All 4.0L 6 Cyl Gas EPO = ENGINES - ALL 2.5L 4 CYL GAS	DCB = Transmission - 4-Speed Manual, T3340 DDQ = 5-Speed Manual Transmission DDX = 5-Speed HD Manual Transmission DGD = 3-Spd. Automatic 30RH Transmission DGK = 4-Spd. Automatic 42RE Transmission DGS = 4-Speed Automatic AW4 Transmission DGT = 4-Spd. Automatic 46RE Transmission DGW = TRANSMISSION - 4-SPD. AUTOMATIC, 44RE DGX = 4-Speed Automatic Transmission DGY = No Description Available DGZ = Transmission- 4-Spd. Automatic, MT643 DBB = ALL MANUAL TRANSMISSIONS DGO = TRANSMISSIONS - ALL AUTOMATIC

AR = use ase required - = Non illustrated part

Valve Body AW4 (DGS)
Figure AW4-710



ITEM	PART NUMBER	QTY	LINE	SERIES	BODY	ENGINE	TRANS	TRIM	DESCRIPTION
8		1	B, T			ER0	DGS		BOLT, Hex Head, M6x1.00x12
	83504031	3	J, U			ER0	DGS		
		3	B, T			ER0	DGS		
9		1	J, U			ER0	DGS		BOLT, M6x1.00x32
	83504014	1	B, T			ER0	DGS		
10		1	J, U			ER0	DGS		BODY, Check Ball
	83504335	1	B, T			ER0	DGS		52104210AB
		1	B, T			ER0	DGS		52104180AB
11		1	J, U			ER0	DGS		FILTER, Valve Body
	83504336	1	B, T			ER0	DGS		52104210AB
		1	B, T			ER0	DGS		52104180AB
12		1	J, U			ER0	DGS		PLATE, Transmission Valve Body
	04637468	1	B, T			ER0	DGS		
13		1	J, U			ER0	DGS		GASKET, Valve Body
	04882361	1	B, T			ER0	DGS		
14		1	J, U			ER0	DGS		CAM PACKAGE, Throttle Valve
	04637026	1	B, T			ER0	DGS		

CHEROKEE (XJ)

SERIES

L = LOWLINE

LINE

B = JEEP - 2WD (RHD)
U = JEEP - 4WD (RHD)
T = LHD - (2WD)
J = JEEP - - LHD (4WD)

BODY

72 = 2DR (101.4 WB)
74 = 4 DR (101.4 WB)

ENGINE

ENC = 2.5L 4 Cyl Turbo Diesel Engine
EPE = Engine - 2.5L Power Tech I-4 Cyl.
ERH = 4.0L Power Tech I-6 Engine
ENO = Engines - ALL 4/5 CYL Turbo Diesel
ERO = Engines - All 4.0L 6 Cyl Gas
EPO = ENGINES - ALL 2.5L 4 CYL GAS

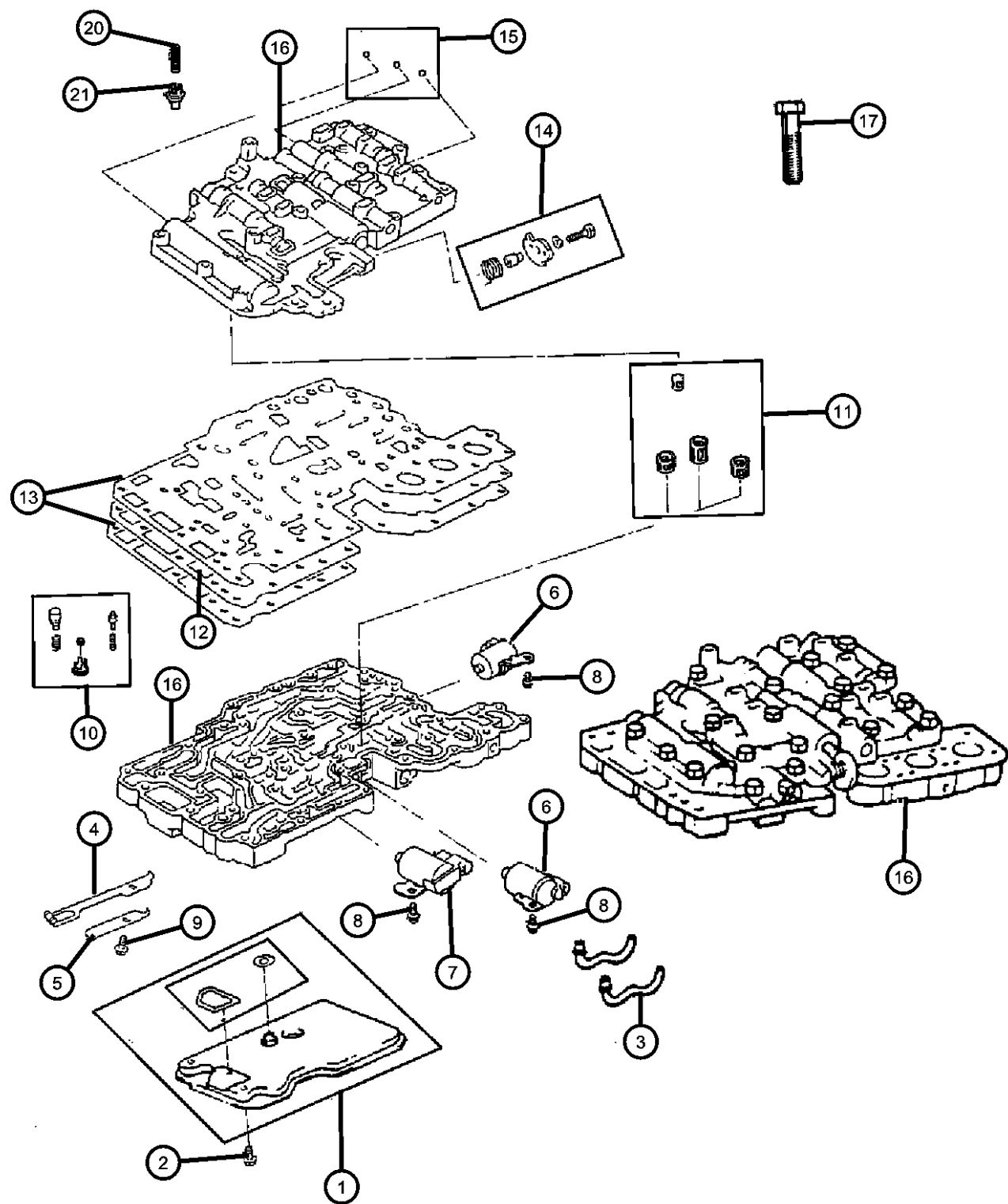
TRANSMISSION

DCB = Transmission - 4-Speed Manual, T3340
DDQ = 5-Speed Manual Transmission
DDX = 5-Speed HD Manual Transmission
DGD = 3-Spd. Automatic 30RH Transmission
DGK = 4-Spd. Automatic 42RE Transmission
DGS = 4-Speed Automatic AW4 Transmission
DGT = 4-Spd. Automatic 46RE Transmission
DGW = TRANSMISSION - 4-SPD. AUTOMATIC, 44RE
DGX = 4-Speed Automatic Transmission
DGY = No Description Available
DGZ = Transmission- 4-Spd. Automatic, MT643
DBB = ALL MANUAL TRANSMISSIONS
DGO = TRANSMISSIONS - ALL AUTOMATIC

AR = use ase required - = Non illustrated part

1998 XJ

Valve Body AW4 (DGS)
Figure AW4-710



ITEM	PART NUMBER	QTY	LINE	SERIES	BODY	ENGINE	TRANS	TRIM	DESCRIPTION
15	04637031	1	J, U			ER0	DGS		CHECK BALL PACKAGE, Valve Body
		1	B, T			ER0	DGS		52104210AB
									52104180AB
16	04797404	1	J, U			ER0	DGS		VALVE BODY
		1	B, T			ER0	DGS		
17	83504031	3	J, U			ER0	DGS		BOLT, Hex Head, M6x1.00x12
		3	B, T			ER0	DGS		52104210AB
									52104180AB
-18	83504014	1	J, U			ER0	DGS		BOLT, M6x1.00x32
		1	B, T			ER0	DGS		52104210AB
									52104180AB
-19	83504011	9	J, U			ER0	DGS		BOLT
		9	B, T			ER0	DGS		52104210AB
									52104180AB
	83504012	3	J, U			ER0	DGS		52104210AB
		3	B, T			ER0	DGS		52104180AB
	83504013	13	J, U			ER0	DGS		52104210AB
		13	B, T			ER0	DGS		52104180AB
20	83504036	1	J, U			ER0	DGS		SPRING, Accumulator
		1	B, T			ER0	DGS		

CHEROKEE (XJ)

SERIES

L = LOWLINE

LINE

B = JEEP - 2WD (RHD)
U = JEEP - 4WD (RHD)
T = LHD - (2WD)
J = JEEP - - LHD (4WD)

BODY

72 = 2DR (101.4 WB)
74 = 4 DR (101.4 WB)

ENGINE

ENC = 2.5L 4 Cyl Turbo Diesel Engine
EPE = Engine - 2.5L Power Tech I-4 Cyl.
ERH = 4.0L Power Tech I-6 Engine
ENO = Engines - ALL 4/5 CYL Turbo Diesel
ERO = Engines - All 4.0L 6 Cyl Gas
EPO = ENGINES - ALL 2.5L 4 CYL GAS

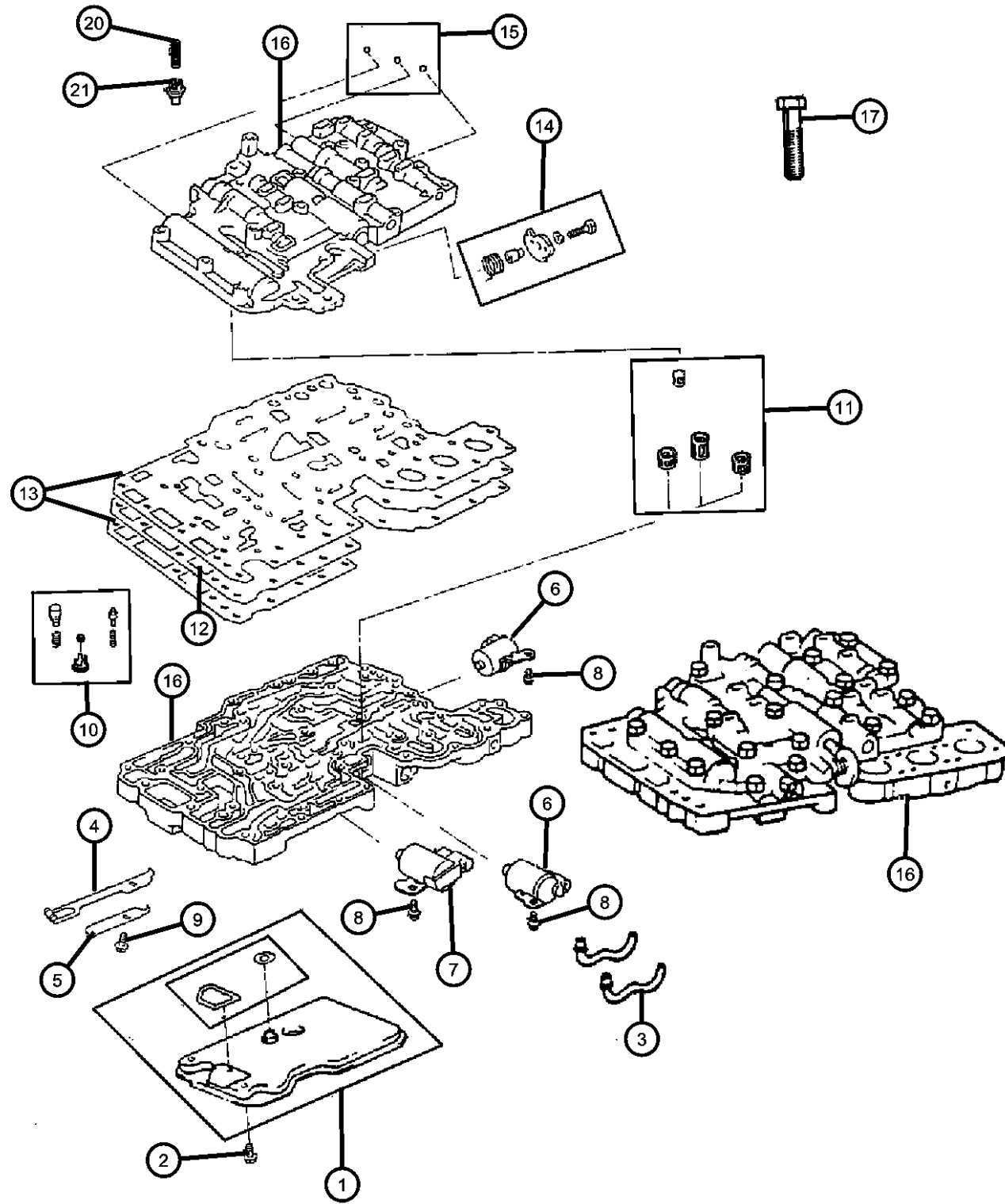
TRANSMISSION

DCB = Transmission - 4-Speed Manual, T3340
DDQ = 5-Speed Manual Transmission
DDX = 5-Speed HD Manual Transmission
DGD = 3-Spd. Automatic 30RH Transmission
DGK = 4-Spd. Automatic 42RE Transmission
DGS = 4-Speed Automatic AW4 Transmission
DGT = 4-Spd. Automatic 46RE Transmission
DGW = TRANSMISSION - 4-SPD. AUTOMATIC, 44RE
DGX = 4-Speed Automatic Transmission
DGY = No Description Available
DGZ = Transmission- 4-Spd. Automatic, MT643
DBB = ALL MANUAL TRANSMISSIONS
DGO = TRANSMISSIONS - ALL AUTOMATIC

AR = use ase required - = Non illustrated part

1998 XJ

Valve Body AW4 (DGS)
Figure AW4-710



ITEM	PART NUMBER	QTY	LINE	SERIES	BODY	ENGINE	TRANS	TRIM	DESCRIPTION
21	83504042	1	J, U			ER0	DGS		BODY, Check Ball
		1	B, T			ER0	DGS		52104210AB
									52104180AB

CHEROKEE (XJ)

SERIES LINE
 L = LOWLINE B = JEEP - 2WD (RHD)
 U = JEEP - 4WD (RHD)
 T = LHD - (2WD)
 J = JEEP - - LHD (4WD)

BODY
 72 = 2DR (101.4 WB)
 74 = 4 DR (101.4 WB)

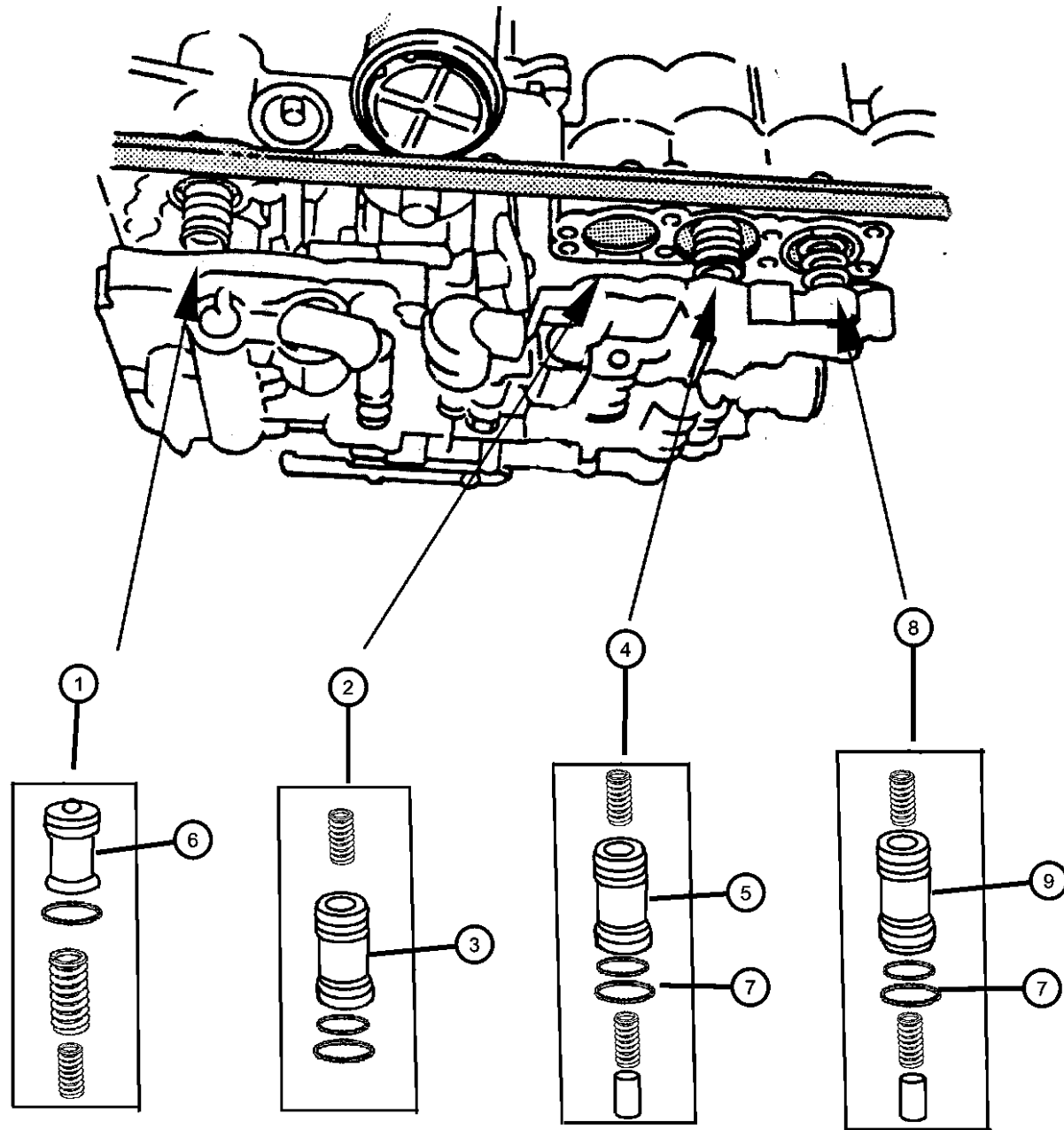
ENGINE TRANSMISSION
 ENC = 2.5L 4 Cyl Turbo Diesel Engine DCB = Transmission - 4-Speed Manual,T3340
 EPE = Engine - 2.5L Power Tech I-4 Cyl. DDQ = 5-Speed Manual Transmission
 ERH = 4.0L Power Tech I-6 Engine DDX = 5-Speed HD Manual Transmission
 ENO = Engines - ALL 4/5 CYL Turbo Diesel DGD = 3-Spd. Automatic 30RH Transmission
 ERO = Engines - All 4.0L 6 Cyl Gas DGK = 4-Spd. Automatic 42RE Transmission
 EPO = ENGINES - ALL 2.5L 4 CYL GAS DGS = 4-Speed Automatic AW4 Transmission
 DGT = 4-Spd. Automatic 46RE Transmission
 DGW = TRANSMISSION - 4-SPD. AUTOMATIC,44RE
 DGX = 4-Speed Automatic Transmission
 DGY = No Description Available
 DGZ = Transmission- 4-Spd. Automatic,MT643
 DBB = ALL MANUAL TRANSMISSIONS
 DGO = TRANSMISSIONS - ALL AUTOMATIC

AR = use ase required - = Non illustrated part

1998 XJ

**Accumulator Piston AW4 (DGS)
Figure AW4-720**

ITEM	PART NUMBER	QTY	LINE	SERIES	BODY	ENGINE	TRANS	TRIM	DESCRIPTION
Notes: ER0 = All 4.0L 6 Cylinder Gas Engines DGS = Aisin Warner 4 Speed Automatic Transmission									
1	83504343	AR	J, U			ER0	DGS		PISTON, Accumulator 52104210AB
		AR	B, T			ER0	DGS		52104180AB
2	04637028	AR	B, T			ER0	DGS		ACCUMULATOR PACKAGE, Piston 52104180AB
		AR	J, U			ER0	DGS		52104210AB
3	04636788	1	J, U			ER0	DGS		PISTON, Accumulator 52104210AB
		1	B, T			ER0	DGS		52104180AB
4	04637029	1	J, U			ER0	DGS		ACCUMULATOR PACKAGE, Piston 52104210AB
		1	B, T			ER0	DGS		52104180AB
5	04636786	1	J, U			ER0	DGS		PISTON, Accumulator 52104210AB
		1	B, T			ER0	DGS		52104180AB
6	83504017	1	J, U			ER0	DGS		PISTON, Accumulator 52104210AB
		1	B, T			ER0	DGS		52104180AB
7									O RING, Transmission Accumulator/Strainer



CHEROKEE (XJ)

SERIES LINE
L = LOWLINE B = JEEP - 2WD (RHD)
U = JEEP - 4WD (RHD)
T = LHD - (2WD)
J = JEEP - - LHD (4WD)

BODY
72 = 2DR (101.4 WB)
74 = 4 DR (101.4 WB)

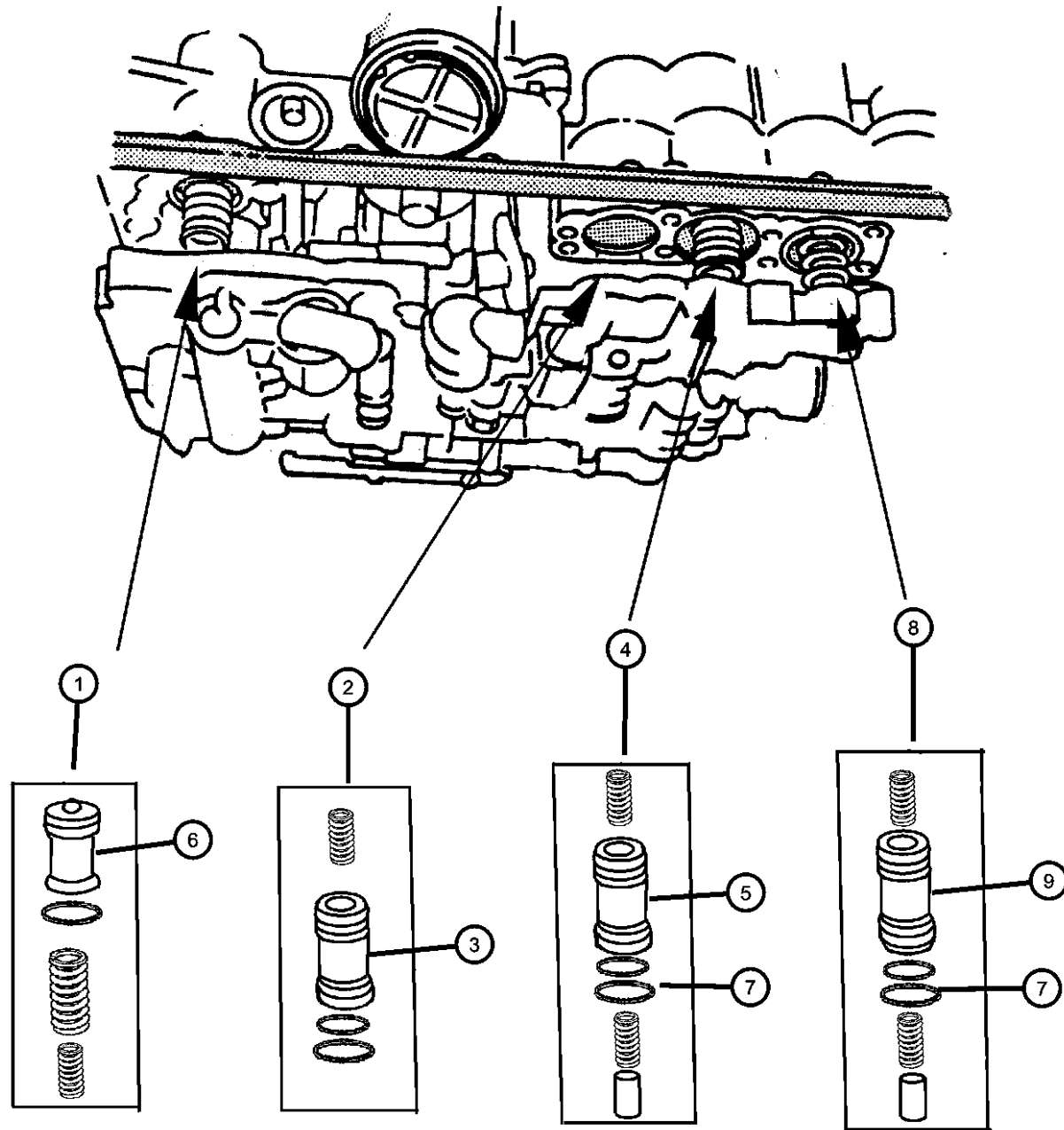
ENGINE TRANSMISSION
ENC = 2.5L 4 Cyl Turbo Diesel Engine DCB = Transmission - 4-Speed Manual, T3340
EPE = Engine - 2.5L Power Tech I-4 Cyl. DDQ = 5-Speed Manual Transmission
ERH = 4.0L Power Tech I-6 Engine DDX = 5-Speed HD Manual Transmission
ENO = Engines - ALL 4/5 CYL Turbo Diesel DGD = 3-Spd. Automatic 30RH Transmission
ERO = Engines - All 4.0L 6 Cyl Gas DGK = 4-Spd. Automatic 42RE Transmission
EPO = ENGINES - ALL 2.5L 4 CYL GAS DGS = 4-Speed Automatic AW4 Transmission
DGT = 4-Spd. Automatic 46RE Transmission
DGW = TRANSMISSION - 4-SPD. AUTOMATIC, 44RE
DGX = 4-Speed Automatic Transmission
DGY = No Description Available
DGZ = Transmission- 4-Spd. Automatic, MT643
DBB = ALL MANUAL TRANSMISSIONS
DGO = TRANSMISSIONS - ALL AUTOMATIC

AR = use ase required - = Non illustrated part

1998 XJ

**Accumulator Piston AW4 (DGS)
Figure AW4-720**

ITEM	PART NUMBER	QTY	LINE	SERIES	BODY	ENGINE	TRANS	TRIM	DESCRIPTION
	83504029	1	J, U			ER0	DGS		52104210AB
		1	B, T			ER0	DGS		52104180AB
8									ACCUMULATOR PACKAGE, Piston
	05003158AA	AR	J, U			ER0	DGS		52104210AB
		AR	B, T			ER0	DGS		52104180AB
9									PISTON, Accumulator
	04636787	1	J, U			ER0	DGS		52104210AB
		1	B, T			ER0	DGS		52104180AB



CHEROKEE (XJ)

SERIES LINE
 L = LOWLINE B = JEEP - 2WD (RHD)
 U = JEEP - 4WD (RHD)
 T = LHD - (2WD)
 J = JEEP - - LHD (4WD)

BODY
 72 = 2DR (101.4 WB)
 74 = 4 DR (101.4 WB)

ENGINE TRANSMISSION
 ENC = 2.5L 4 Cyl Turbo Diesel Engine DCB = Transmission - 4-Speed Manual,T3340
 EPE = Engine - 2.5L Power Tech I-4 Cyl. DDQ = 5-Speed Manual Transmission
 ERH = 4.0L Power Tech I-6 Transmission DDX = 5-Speed HD Manual
 Engine DGD = 3-Spd. Automatic 30RH
 ENO = Engines - ALL 4/5 CYL Transmission
 Turbo Diesel DGK = 4-Spd. Automatic 42RE
 ERO = Engines - All 4.0L 6 Cyl Transmission
 Gas DGS = 4-Speed Automatic AW4
 EPO = ENGINES - ALL 2.5L 4 Transmission
 CYL GAS DGT = 4-Spd. Automatic 46RE
 Transmission
 DGW = TRANSMISSION - 4-SPD. AUTOMATIC,44RE
 AUTOMATIC,44RE
 DGX = 4-Speed Automatic Transmission
 DGY = No Description Available
 DGZ = Transmission- 4-Spd. Automatic,MT643
 DBB = ALL MANUAL TRANSMISSIONS
 DGO = TRANSMISSIONS - ALL AUTOMATIC

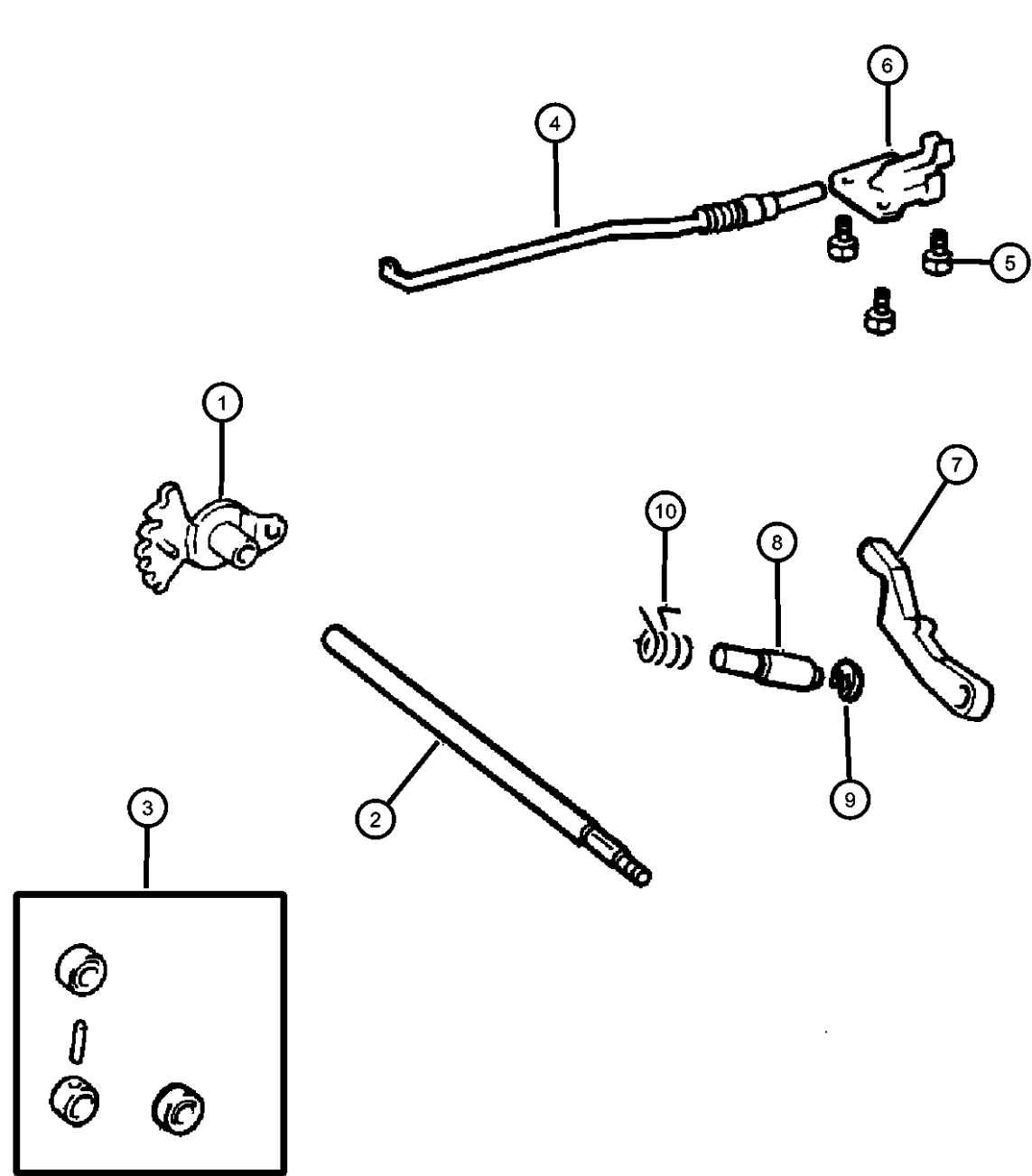
AR = use ase required - = Non illustrated part

1998 XJ

Lock, Parking AW4 (DGS)
Figure AW4-730

ITEM	PART NUMBER	QTY	LINE	SERIES	BODY	ENGINE	TRANS	TRIM	DESCRIPTION
------	-------------	-----	------	--------	------	--------	-------	------	-------------

Notes:
ER0 = All 4.0L 6 Cylinder Gas Engines
DGS = Aisin Warner 4 Speed Automatic Transmission



1	83503774	1	J, U			ER0	DGS		LEVER, Manual Valve 52104210AB
		1	B, T			ER0	DGS		52104180AB
2	83503725	1	J, U			ER0	DGS		SHAFT, Manual Valve 52104210AB
		1	B, T			ER0	DGS		52104180AB
3	83504332	1	J, U			ER0	DGS		LEVER REPAIR PACKAGE, Valve Body 52104210AB
		1	B, T			ER0	DGS		52104180AB
4	04886042AA	1	J, U			ER0	DGS		ROD, Transmission Pawl 52104210AB
		1	B, T			ER0	DGS		52104180AB
5	83503783	3	B, T			ER0	DGS		BOLT, M6x1.00x32 52104180AB
		3	J, U			ER0	DGS		52104210AB
6	04886041AA	1	J, U			ER0	DGS		BRACKET, Park Lock 52104210AB
		1	B, T			ER0	DGS		52104180AB
7	04886040AA	1	J, U			ER0	DGS		PAWL, Parking Sprag 52104210AB

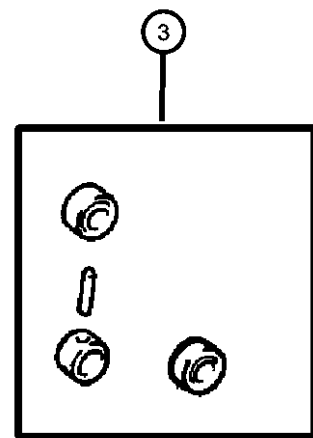
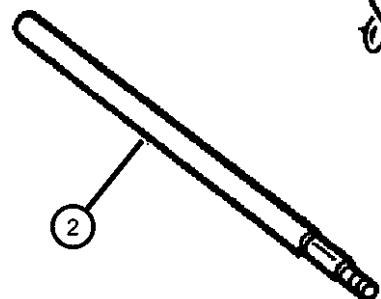
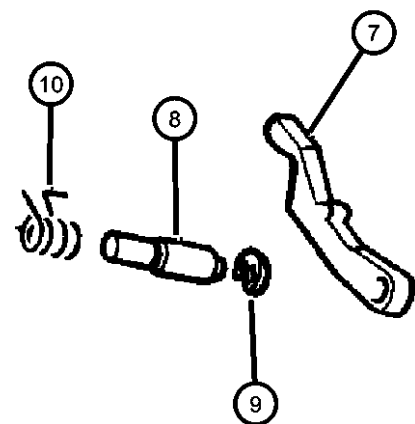
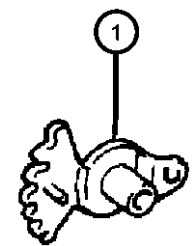
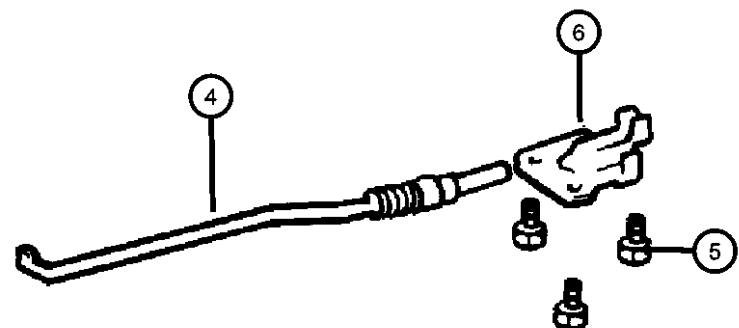
CHEROKEE (XJ)

SERIES	LINE	BODY	ENGINE	TRANSMISSION
L = LOWLINE	B = JEEP - 2WD (RHD) U = JEEP - 4WD (RHD) T = LHD - (2WD) J = JEEP - - LHD (4WD)	72 = 2DR (101.4 WB) 74 = 4 DR (101.4 WB)	ENC = 2.5L 4 Cyl Turbo Diesel Engine EPE = Engine - 2.5L Power Tech I-4 Cyl. ERH = 4.0L Power Tech I-6 Engine ENO = Engines - ALL 4/5 CYL Turbo Diesel ERO = Engines - All 4.0L 6 Cyl Gas EPO = ENGINES - ALL 2.5L 4 CYL GAS	DCB = Transmission - 4-Speed Manual,T3340 DDQ = 5-Speed Manual Transmission DDX = 5-Speed HD Manual Transmission DGD = 3-Spd. Automatic 30RH Transmission DGK = 4-Spd. Automatic 42RE Transmission DGS = 4-Speed Automatic AW4 Transmission DGT = 4-Spd. Automatic 46RE Transmission DGW = TRANSMISSION - 4-SPD. AUTOMATIC,44RE DGX = 4-Speed Automatic Transmission DGY = No Description Available DGZ = Transmission- 4-Spd. Automatic,MT643 DBB = ALL MANUAL TRANSMISSIONS DGO = TRANSMISSIONS - ALL AUTOMATIC

AR = use ase required - = Non illustrated part

Lock, Parking AW4 (DGS)
Figure AW4-730

ITEM	PART NUMBER	QTY	LINE	SERIES	BODY	ENGINE	TRANS	TRIM	DESCRIPTION
8		1	B, T			ER0	DGS		52104180AB SHAFT, Parking Sprag
	83503777	1	J, U			ER0	DGS		52104210AB
9		1	B, T			ER0	DGS		52104180AB SNAP RING, Parking Pawl
	83503776	1	J, U			ER0	DGS		52104210AB
		1	B, T			ER0	DGS		52104180AB
10		1	J, U			ER0	DGS		52104210AB SPRING, Park Lock
	83503778	1	J, U			ER0	DGS		52104210AB
		1	B, T			ER0	DGS		52104180AB



CHEROKEE (XJ)

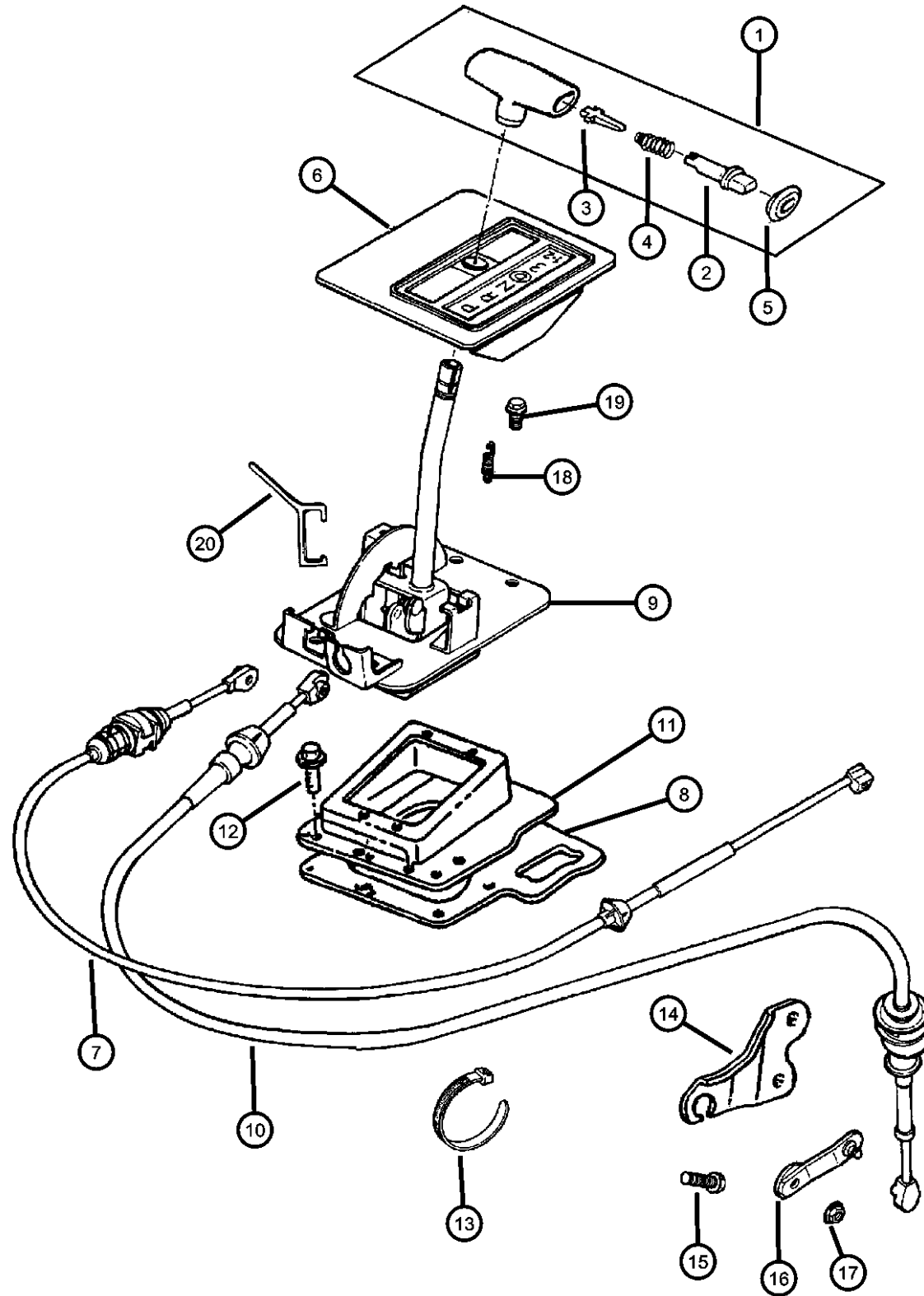
SERIES LINE
L = LOWLINE B = JEEP - 2WD (RHD)
U = JEEP - 4WD (RHD)
T = LHD - (2WD)
J = JEEP - - LHD (4WD)

BODY
72 = 2DR (101.4 WB)
74 = 4 DR (101.4 WB)

ENGINE TRANSMISSION
ENC = 2.5L 4 Cyl Turbo Diesel Engine DCB = Transmission - 4-Speed Manual,T3340
EPE = Engine - 2.5L Power Tech I-4 Cyl. DDQ = 5-Speed Manual Transmission
ERH = 4.0L Power Tech I-6 Engine DDG = 5-Speed HD Manual Transmission
ENO = Engines - ALL 4/5 CYL Turbo Diesel DGD = 3-Spd. Automatic 30RH Transmission
ERO = Engines - All 4.0L 6 Cyl Gas DGK = 4-Spd. Automatic 42RE Transmission
EPO = ENGINES - ALL 2.5L 4 CYL GAS DGS = 4-Speed Automatic AW4 Transmission
DGT = 4-Spd. Automatic 46RE Transmission
DGW = TRANSMISSION - 4-SPD. AUTOMATIC,44RE
DGX = 4-Speed Automatic Transmission
DGY = No Description Available
DGZ = Transmission- 4-Spd. Automatic,MT643
DBB = ALL MANUAL TRANSMISSIONS
DGO = TRANSMISSIONS - ALL AUTOMATIC

AR = use ase required - = Non illustrated part

**Gearshift Controls AW4 (DGS)
Figure AW4-1210**



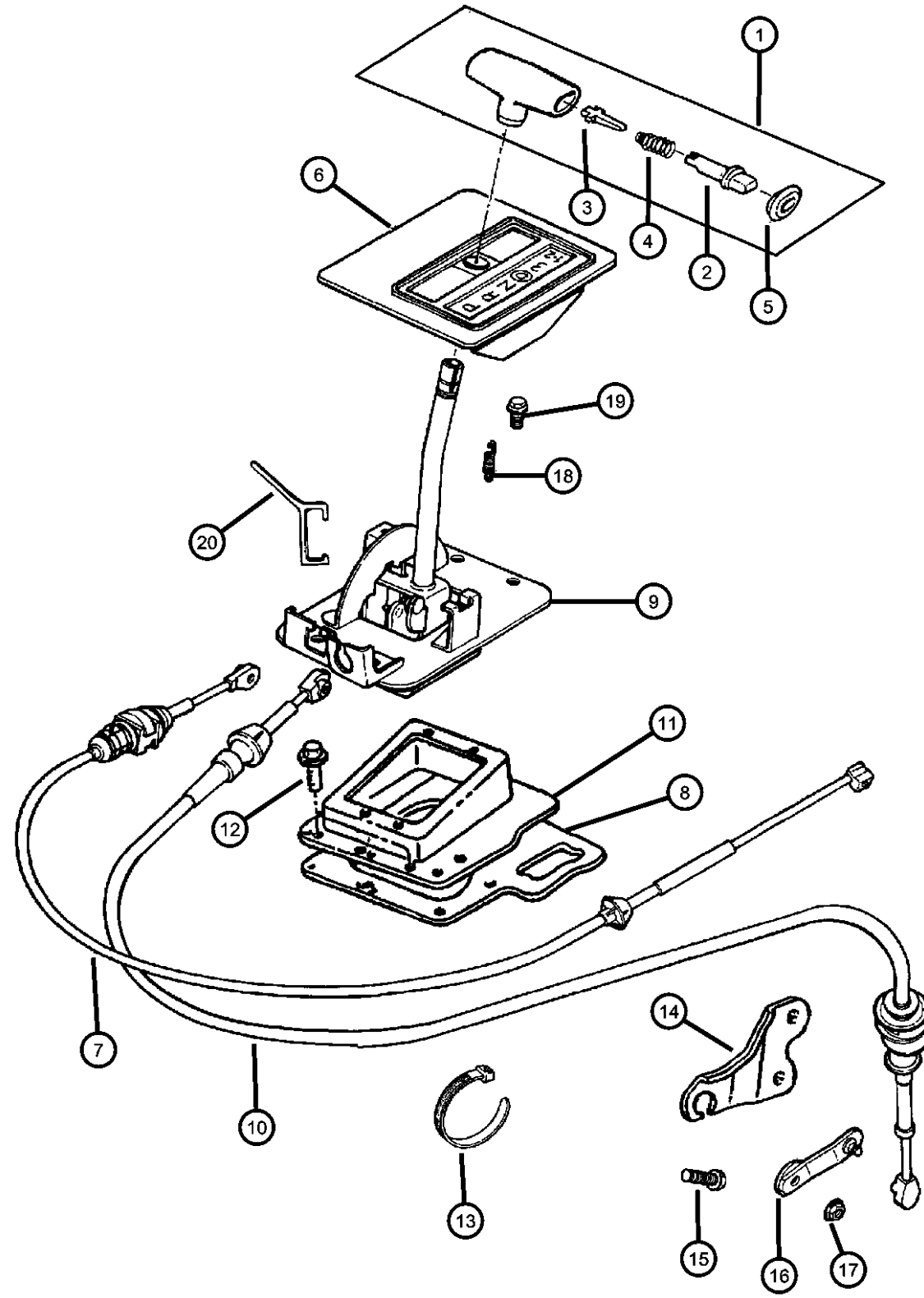
ITEM	PART NUMBER	QTY	LINE	SERIES	BODY	ENGINE	TRANS	TRIM	DESCRIPTION
1	52104028	1				EP0, ER0	DG0		HANDLE, Gearshift
2	53000211	1				EP0, ER0	DG0		BUTTON, Gearshift Knob
3	53000865	1				EP0, ER0	DG0		LEVER, Gearshift
4	53000866	1				EP0, ER0	DG0		SPRING, Button Return
5	52077561	1				EP0, ER0	DG0		CAP, Gearshift Handle Button
6									BEZEL, Console PRNDL
	5EK03LAZ	1	J, T				DGS		
	5EK07LAZ	1	B, U				DGS		
7									CABLE, Park Interlock
	52104144	1	J, T			EP0, ER0	DG0		
	52104144AB	1	B, U			EP0, ER0	DG0		
8	52104144AB	1							SEAL, Shift Housing, (NOT SERVICED)
9									HOUSING, Shift Lever
	52104005	1	J, T				DG0		
	52104007	1	B, U				DG0		
10	52077532	1					DG0		CABLE, Gearshift Control
11									COVER, Gearshift
	53000704	1	J, T				DG0		
		1	B, U				DG0		

Notes:
 EP0 = All 2.5L 4 Cylinder Gas Engines
 ER0 = All 4.0L 6 Cylinder Gas Engines
 DGS = Aisin Warner 4 Speed Automatic Transmission
 DG0 = All Automatic Transmissions

CHEROKEE (XJ)				
SERIES	LINE	BODY	ENGINE	TRANSMISSION
L = LOWLINE	B = JEEP - 2WD (RHD) U = JEEP - 4WD (RHD) T = LHD - (2WD) J = JEEP - - LHD (4WD)	72 = 2DR (101.4 WB) 74 = 4 DR (101.4 WB)	ENC = 2.5L 4 Cyl Turbo Diesel Engine EPE = Engine - 2.5L Power Tech I-4 Cyl. ERH = 4.0L Power Tech I-6 Engine ENO = Engines - ALL 4/5 CYL Turbo Diesel ERO = Engines - All 4.0L 6 Cyl Gas EP0 = ENGINES - ALL 2.5L 4 CYL GAS	DCB = Transmission - 4-Speed Manual,T3340 DDQ = 5-Speed Manual Transmission DDX = 5-Speed HD Manual Transmission DGD = 3-Spd. Automatic 30RH Transmission DGK = 4-Spd. Automatic 42RE Transmission DGS = 4-Speed Automatic AW4 Transmission DGT = 4-Spd. Automatic 46RE Transmission DGW = TRANSMISSION - 4-SPD. AUTOMATIC,44RE DGX = 4-Speed Automatic Transmission DGY = No Description Available DGZ = Transmission- 4-Spd. Automatic,MT643 DBB = ALL MANUAL TRANSMISSIONS DG0 = TRANSMISSIONS - ALL AUTOMATIC

AR = use ase required - = Non illustrated part

**Gearshift Controls AW4 (DGS)
Figure AW4-1210**



ITEM	PART NUMBER	QTY	LINE	SERIES	BODY	ENGINE	TRANS	TRIM	DESCRIPTION
12	J4001701	AR							SCREW, Hex Self Tapping, .19-16x.50
13	34201788	1				EP0, ER0			STRAP, Tie
14	53007746	1				ER0	DGS		BRACKET, Transmission Control Cable
15	34201871	2				ER0	DGS		BOLT, Hex Flange Head, M8x1.25x20
16	53007747	1	B, T			ER0	DGS		LEVER, Gearshift
		1	J, U			ER0	DGS		
17	J4200046	3				EP0, ER0			NUT AND WASHER, Hex Flange, M8x1.25
18	J4200046	3							SPRING, Pawl Return, (NOT SERVICED)
19	11504284	4	J, T				DG0		SCREW, Hex Head, M8x1.25x18
		4	B, U				DG0		
20		4							GAUGE, Transmission Shifter, (NOT SERVICED)

CHEROKEE (XJ)

SERIES LINE
 L = LOWLINE B = JEEP - 2WD (RHD)
 U = JEEP - 4WD (RHD)
 T = LHD - (2WD)
 J = JEEP - - LHD (4WD)

BODY
 72 = 2DR (101.4 WB)
 74 = 4 DR (101.4 WB)

ENGINE TRANSMISSION
 ENC = 2.5L 4 Cyl Turbo Diesel Engine
 EPE = Engine - 2.5L Power Tech I-4 Cyl.
 ERH = 4.0L Power Tech I-6 Engine
 ENO = Engines - ALL 4/5 CYL Turbo Diesel
 ERO = Engines - All 4.0L 6 Cyl Gas
 EP0 = ENGINES - ALL 2.5L 4 CYL GAS
 DCB = Transmission - 4-Speed Manual, T3340
 DDQ = 5-Speed Manual Transmission
 DDX = 5-Speed HD Manual Transmission
 DGD = 3-Spd. Automatic 30RH Transmission
 DGK = 4-Spd. Automatic 42RE Transmission
 DGS = 4-Speed Automatic AW4 Transmission
 DGT = 4-Spd. Automatic 46RE Transmission
 DGW = TRANSMISSION - 4-SPD. AUTOMATIC, 44RE
 DGX = 4-Speed Automatic Transmission
 DGY = No Description Available
 DGZ = Transmission- 4-Spd. Automatic, MT643
 DBB = ALL MANUAL TRANSMISSIONS
 DG0 = TRANSMISSIONS - ALL AUTOMATIC

AR = use ase required - = Non illustrated part

Group - AX

Manual Transmission 5 Speed

Group - AX Manual Transmission 5 Speed

Illustration Title

Group-Fig. No.

Transmission Assembly

Transmission (DDQ) Fig. AX - 110

Case and Extension

Case and Extension AX5 (DDQ) Fig. AX - 210

Case and Related Parts AX 15 (DDQ) Fig. AX - 215

Gear Train

Gear Train AX 5 (DDQ) Fig. AX - 410

Gear Train AX 15 (DDQ) Fig. AX - 415

Reverse Idler Ax 15 (DDQ) Fig. AX - 420

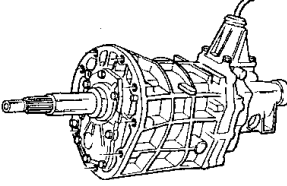
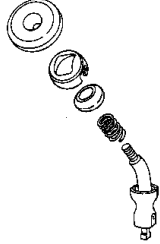
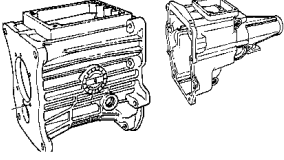
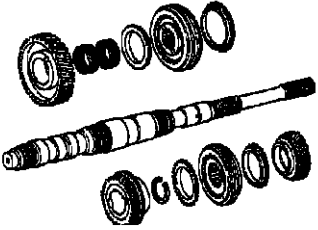
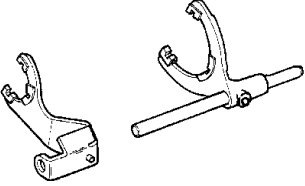
Fork and Rails

Forks AX 5 (DDQ) Fig. AX - 910

Forks AX 15 (DDQ) Fig. AX - 915

Gearshift Controls

Gearshift Controls (DDQ) Fig. AX - 1215

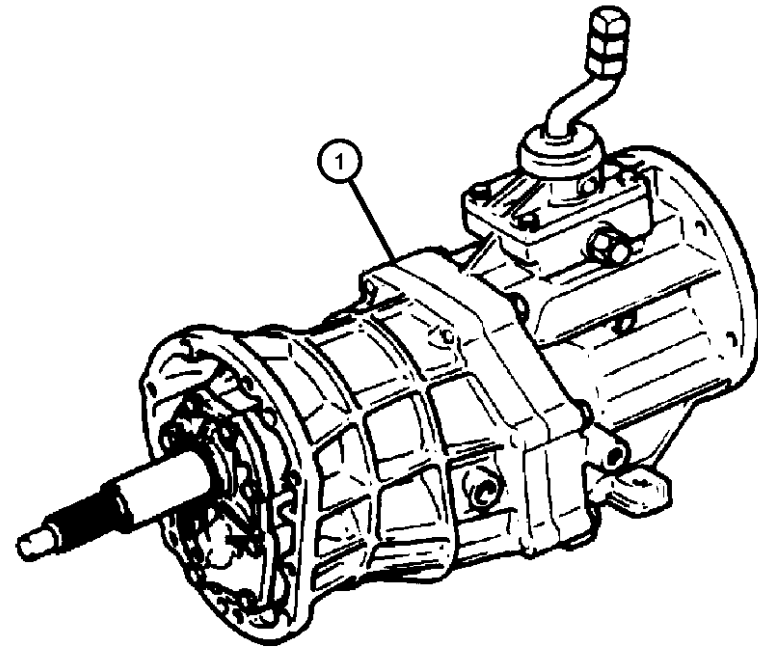
<p>AX-100 Transmission Assembly</p> 	<p>AX-1200 Gearshift Controls</p> 	<p>AX-200 Case and Extension</p> 	<p>AX-400 Gear Train</p> 
<p>AX-900 Fork and Rails</p> 			

Transmission (DDQ)
Figure AX-110

ITEM	PART NUMBER	QTY	LINE	SERIES	BODY	ENGINE	TRANS	TRIM	DESCRIPTION
------	-------------	-----	------	--------	------	--------	-------	------	-------------

Notes:
DDQ = 5 Speed Manual Transmission
EP0 = All 2.5L Gas Engines
ER0 = All 4.0L 6 Cylinder Gas Engines
ENC = 2.5L 4 Cylinder Turbo Diesel Engine

1									TRANSMISSION, 5 Speed
	52104546	1	B, T			EP0	DDQ		
	52104547	1	J, U			EP0	DDQ		
	52108047AB	1	J, U			ER0	DDQ		
	52108048AB	1	B, T			ER0	DDQ		
	52108121AB	1	J, U			ENC	DDQ		



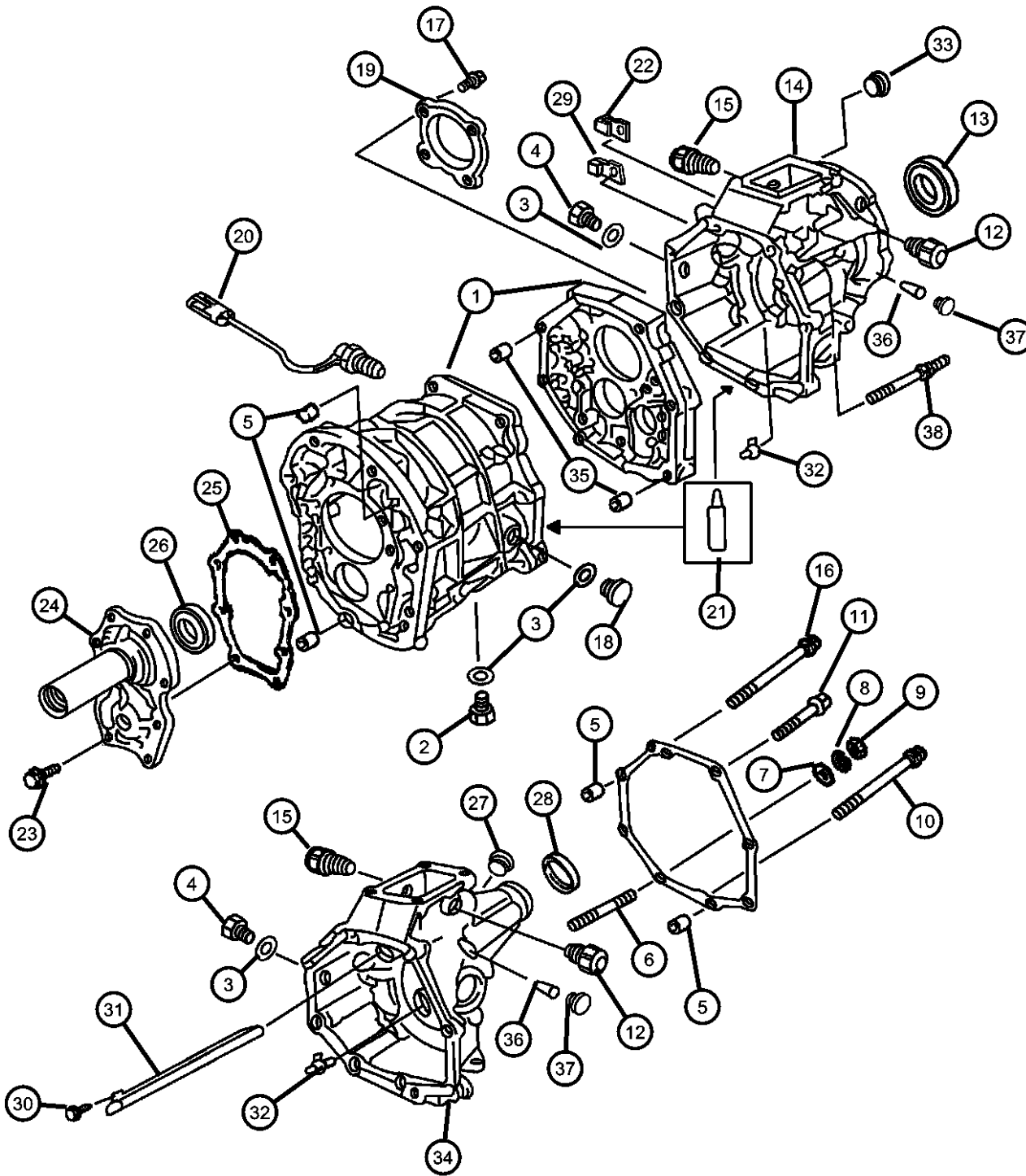
CHEROKEE (XJ)

SERIES	LINE	BODY	ENGINE	TRANSMISSION
L = LOWLINE	B = JEEP - 2WD (RHD) U = JEEP - 4WD (RHD) T = LHD - (2WD) J = JEEP - - LHD (4WD)	72 = 2DR (101.4 WB) 74 = 4 DR (101.4 WB)	ENC = 2.5L 4 Cyl Turbo Diesel Engine EPE = Engine - 2.5L Power Tech I-4 Cyl. ERH = 4.0L Power Tech I-6 Engine ENO = Engines - ALL 4/5 CYL Turbo Diesel ER0 = Engines - All 4.0L 6 Cyl Gas EP0 = ENGINES - ALL 2.5L 4 CYL GAS	DCB = Transmission - 4-Speed Manual,T3340 DDQ = 5-Speed Manual Transmission DDX = 5-Speed HD Manual Transmission DGD = 3-Spd. Automatic 30RH Transmission DGK = 4-Spd. Automatic 42RE Transmission DGS = 4-Speed Automatic AW4 Transmission DGT = 4-Spd. Automatic 46RE Transmission DGW = TRANSMISSION - 4-SPD. AUTOMATIC,44RE DGX = 4-Speed Automatic Transmission DGY = No Description Available DGZ = Transmission- 4-Spd. Automatic,MT643 DBB = ALL MANUAL TRANSMISSIONS DGO = TRANSMISSIONS - ALL AUTOMATIC

AR = use ase required - = Non illustrated part

1998 XJ

Case and Extension AX5 (DDQ)
Figure AX-210



ITEM	PART NUMBER	QTY	LINE	SERIES	BODY	ENGINE	TRANS	TRIM	DESCRIPTION
------	-------------	-----	------	--------	------	--------	-------	------	-------------

Notes:
DDQ = 5 Speed Manual Transmission
EP0 = All 2.5L Gas Engines

1	83506016	1	B, T			EP0	DDQ		CASE, Transmission
		1	J, U			EP0	DDQ		52104546
2	04543303	1	B, T			EP0	DDQ		52104547
		1	J, U			EP0	DDQ		PLUG, Differential Drain
3	83500513	2	B, T			EP0	DDQ		52104546
		2	J, U			EP0	DDQ		52104547
4	83503548	1	B, T			EP0	DDQ		GASKET, Drain Plug
		1	J, U			EP0	DDQ		52104546
5	83500504	4	B, T			EP0	DDQ		BOLT
		4	J, U			EP0	DDQ		52104547
6	83500618	1	B, T			EP0	DDQ		PIN, Locating
		1	J, U			EP0	DDQ		52104546
7	83500627	1	B, T			EP0	DDQ		STUD, Double Ended, M10x1.25x98
		1	J, U			EP0	DDQ		52104547
		1	B, T			EP0	DDQ		WASHER, Flat
		1	J, U			EP0	DDQ		52104546

CHEROKEE (XJ)

SERIES LINE
L = LOWLINE B = JEEP - 2WD (RHD)
U = JEEP - 4WD (RHD)
T = LHD - (2WD)
J = JEEP - - LHD (4WD)

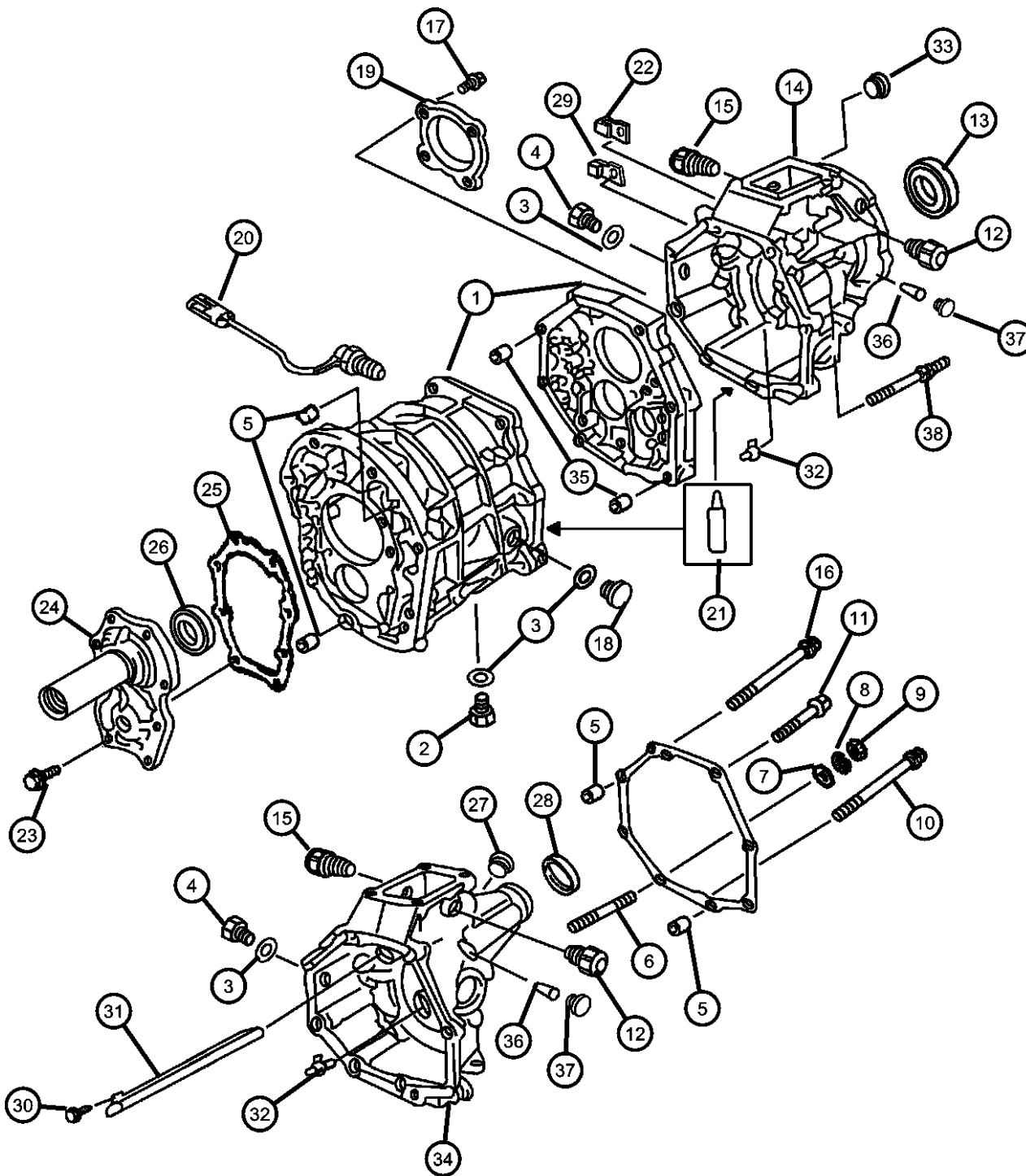
BODY
72 = 2DR (101.4 WB)
74 = 4 DR (101.4 WB)

ENGINE TRANSMISSION
ENC = 2.5L 4 Cyl Turbo Diesel Engine
EPE = Engine - 2.5L Power Tech I-4 Cyl.
ERH = 4.0L Power Tech I-6 Engine
ENO = Engines - ALL 4/5 CYL Turbo Diesel
ERO = Engines - All 4.0L 6 Cyl Gas
EP0 = ENGINES - ALL 2.5L 4 CYL GAS
DCB = Transmission - 4-Speed Manual, T3340
DDQ = 5-Speed Manual Transmission
DDX = 5-Speed HD Manual Transmission
DGD = 3-Spd. Automatic 30RH Transmission
DGK = 4-Spd. Automatic 42RE Transmission
DGS = 4-Speed Automatic AW4 Transmission
DGT = 4-Spd. Automatic 46RE Transmission
DGW = TRANSMISSION - 4-SPD. AUTOMATIC, 44RE
DGX = 4-Speed Automatic Transmission
DGY = No Description Available
DGZ = Transmission- 4-Spd. Automatic, MT643
DBB = ALL MANUAL TRANSMISSIONS
DGO = TRANSMISSIONS - ALL AUTOMATIC

AR = use ase required - = Non illustrated part

1998 XJ

Case and Extension AX5 (DDQ)
Figure AX-210



ITEM	PART NUMBER	QTY	LINE	SERIES	BODY	ENGINE	TRANS	TRIM	DESCRIPTION
8		1	J, U			EP0	DDQ		52104547 WASHER, Lock
	83500626	1	B, T			EP0	DDQ		
9		1	J, U			EP0	DDQ		NUT, Transmission Case
	83500625	1	B, T			EP0	DDQ		52104546
		1	J, U			EP0	DDQ		52104547
10									BOLT
	83503547	1	B, T			EP0	DDQ		52104546
		1	J, U			EP0	DDQ		52104547
11									BOLT
	83503549	5	B, T			EP0	DDQ		
		4	J, U			EP0	DDQ		
12									PIN, Reverse Restrict
	83500516	1	B, T			EP0	DDQ		52104546
		1	J, U			EP0	DDQ		52104547
13	83503108	1	J, U			EP0	DDQ		SEAL, Adapter, 52104547
14	83506037	1	J, U			EP0	DDQ		ADAPTER, Transmission
15									PIN, Reverse
	83500515	1	B, T			EP0	DDQ		52104546
		1	J, U			EP0	DDQ		52104547
16	83503549	5	B, T			EP0	DDQ		BOLT, 52104546

CHEROKEE (XJ)

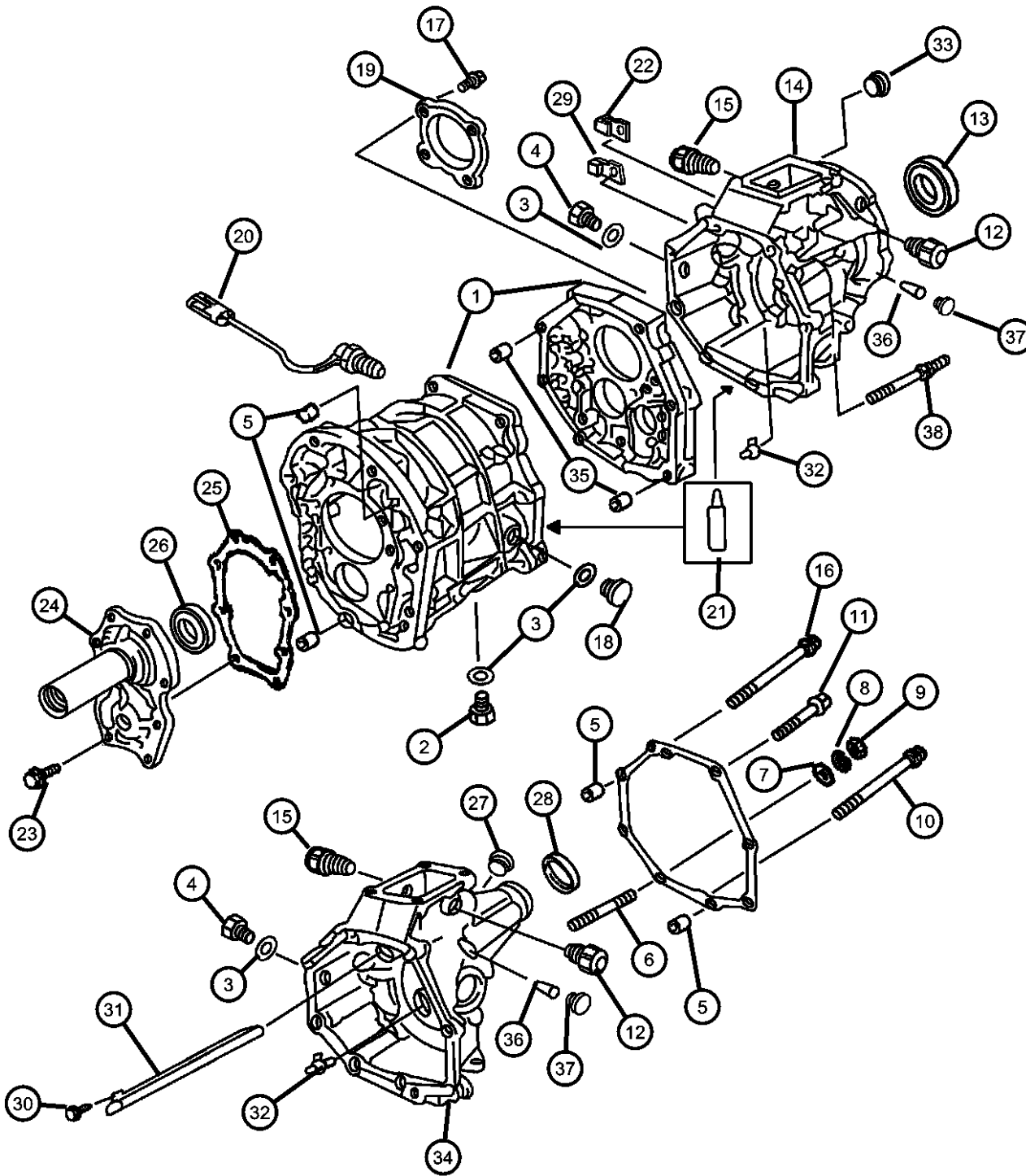
SERIES LINE
 L = LOWLINE B = JEEP - 2WD (RHD)
 U = JEEP - 4WD (RHD)
 T = LHD - (2WD)
 J = JEEP - - LHD (4WD)

BODY
 72 = 2DR (101.4 WB)
 74 = 4 DR (101.4 WB)

ENGINE TRANSMISSION
 ENC = 2.5L 4 Cyl Turbo Diesel Engine
 EPE = Engine - 2.5L Power Tech I-4 Cyl.
 ERH = 4.0L Power Tech I-6 Engine
 ENO = Engines - ALL 4/5 CYL Turbo Diesel
 ERO = Engines - All 4.0L 6 Cyl Gas
 EPO = ENGINES - ALL 2.5L 4 CYL GAS
 DCB = Transmission - 4-Speed Manual, T3340
 DDQ = 5-Speed Manual Transmission
 DDX = 5-Speed HD Manual Transmission
 DGD = 3-Spd. Automatic 30RH Transmission
 DGK = 4-Spd. Automatic 42RE Transmission
 DGS = 4-Speed Automatic AW4 Transmission
 DGT = 4-Spd. Automatic 46RE Transmission
 DGW = TRANSMISSION - 4-SPD. AUTOMATIC, 44RE
 DGX = 4-Speed Automatic Transmission
 DGY = No Description Available
 DGZ = Transmission- 4-Spd. Automatic, MT643
 DBB = ALL MANUAL TRANSMISSIONS
 DGO = TRANSMISSIONS - ALL AUTOMATIC

AR = use ase required - = Non illustrated part

Case and Extension AX5 (DDQ)
Figure AX-210



ITEM	PART NUMBER	QTY	LINE	SERIES	BODY	ENGINE	TRANS	TRIM	DESCRIPTION
17	83500511	4	B, T			EP0	DDQ		SCREW, Manual Transmission
		4	J, U			EP0	DDQ		52104546
18	83500623	1	B, T			EP0	DDQ		PLUG, Oil Fill
		1	J, U			EP0	DDQ		52104547
19	83506034	1	B, T			EP0	DDQ		RETAINER, Bearing
		1	J, U			EP0	DDQ		52104546
20	83500629	1	B, T			EP0	DDQ		SWITCH, Back Up Lamp
		1	J, U			EP0	DDQ		52104547
21	04318025	1	B, T			EP0	DDQ		SEALANT, RTV, 52104546
22	83503551	1	B, T			EP0	DDQ		CLAMP, Transmission
		1	J, U			EP0	DDQ		52104547
23	34201818	8	B, T			EP0	DDQ		SCREW, Hex Head, M8x1.25x25
		8	J, U			EP0	DDQ		52104546
24	04746025	1	J, U			EP0	DDQ		RETAINER, Bearing
	83506034	1	B, T			EP0	DDQ		52104547
		1	J, U			EP0	DDQ		52104546

CHEROKEE (XJ)

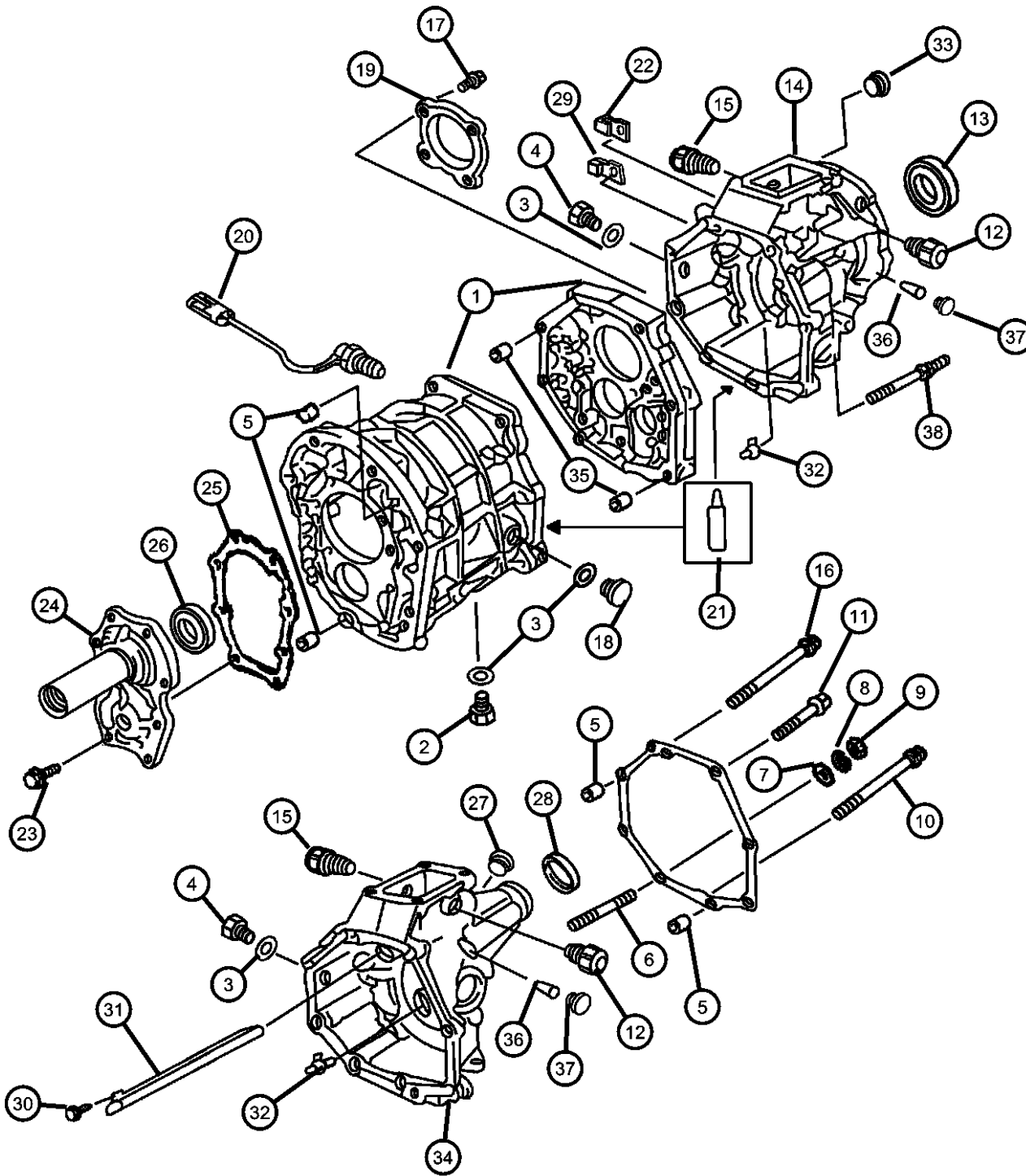
SERIES LINE
 L = LOWLINE B = JEEP - 2WD (RHD)
 U = JEEP - 4WD (RHD)
 T = LHD - (2WD)
 J = JEEP - - LHD (4WD)

BODY
 72 = 2DR (101.4 WB)
 74 = 4 DR (101.4 WB)

ENGINE TRANSMISSION
 ENC = 2.5L 4 Cyl Turbo Diesel Engine
 EPE = Engine - 2.5L Power Tech I-4 Cyl.
 ERH = 4.0L Power Tech I-6 Engine
 ENO = Engines - ALL 4/5 CYL Turbo Diesel
 ERO = Engines - All 4.0L 6 Cyl Gas
 EPO = ENGINES - ALL 2.5L 4 CYL GAS
 DCB = Transmission - 4-Speed Manual, T3340
 DDQ = 5-Speed Manual Transmission
 DDX = 5-Speed HD Manual Transmission
 DGD = 3-Spd. Automatic 30RH Transmission
 DGK = 4-Spd. Automatic 42RE Transmission
 DGS = 4-Speed Automatic AW4 Transmission
 DGT = 4-Spd. Automatic 46RE Transmission
 DGW = TRANSMISSION - 4-SPD. AUTOMATIC, 44RE
 DGX = 4-Speed Automatic Transmission
 DGY = No Description Available
 DGZ = Transmission- 4-Spd. Automatic, MT643
 DBB = ALL MANUAL TRANSMISSIONS
 DGO = TRANSMISSIONS - ALL AUTOMATIC

AR = use ase required - = Non illustrated part

Case and Extension AX5 (DDQ)
Figure AX-210



ITEM	PART NUMBER	QTY	LINE	SERIES	BODY	ENGINE	TRANS	TRIM	DESCRIPTION
25	83500505	1	B, T			EP0	DDQ		GASKET, Input Gear Retainer 52104546
		1	J, U			EP0	DDQ		52104547
26	83506045	1	B, T			EP0	DDQ		SEAL, Main Shaft 52104546
		1	J, U			EP0	DDQ		52104547
27	83502124	1	B, T			EP0	DDQ		PLUG, Extension Housing, 52104546
28	83502118	1	B, T			EP0	DDQ		SEAL, Extension, 52104546
29	83500631	1	B, T			EP0	DDQ		CLAMP, Transmission 52104546
		1	J, U			EP0	DDQ		52104547
30	83502126	1	B, T			EP0	DDQ		BOLT, Oil Receiver Pipe
31	83502122	1	B, T			EP0	DDQ		PIPE, Oil Receiver
32	83500646	1	B, T			EP0	DDQ		PIPE, Oil Receiver
		1	J, U			EP0	DDQ		
33	83503109	AR	B, T			EP0	DDQ		CAP, Detent, 52104546
34	83506013	1	B, T			EP0	DDQ		HOUSING, Transmission Rear Extension
35	05003663AA	2	B, T			EP0	DDQ		PIN, Locating
		2	J, U			EP0	DDQ		

CHEROKEE (XJ)

SERIES

L = LOWLINE
B = JEEP - 2WD (RHD)
U = JEEP - 4WD (RHD)
T = LHD - (2WD)
J = JEEP - - LHD (4WD)

LINE

BODY

72 = 2DR (101.4 WB)
74 = 4 DR (101.4 WB)

ENGINE

ENC = 2.5L 4 Cyl Turbo Diesel Engine
EPE = Engine - 2.5L Power Tech I-4 Cyl.
ERH = 4.0L Power Tech I-6 Engine
ENO = Engines - ALL 4/5 CYL Turbo Diesel
ERO = Engines - All 4.0L 6 Cyl Gas
EP0 = ENGINES - ALL 2.5L 4 CYL GAS

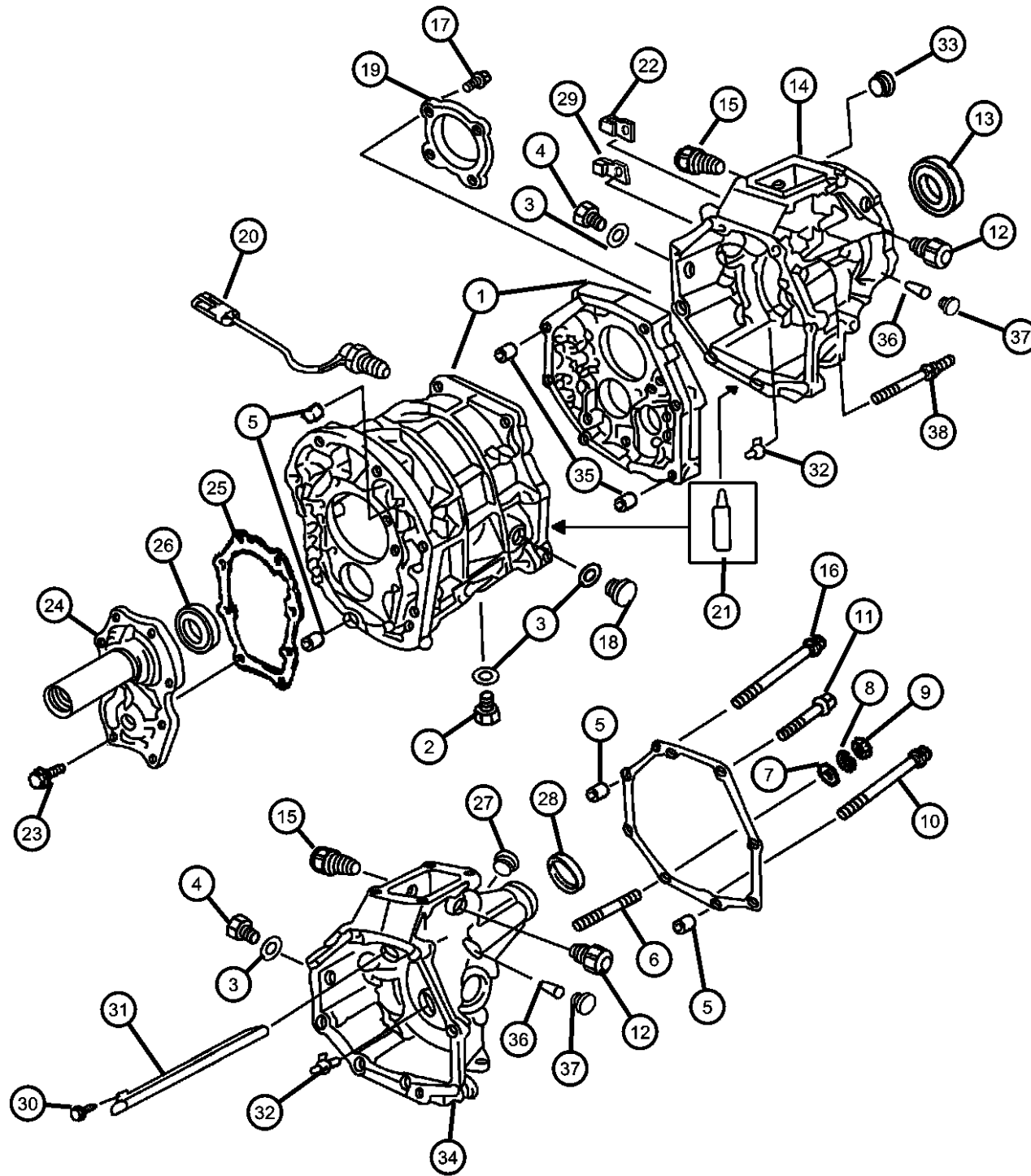
TRANSMISSION

DCB = Transmission - 4-Speed Manual, T3340
DDQ = 5-Speed Manual Transmission
DDX = 5-Speed HD Manual Transmission
DGD = 3-Spd. Automatic 30RH Transmission
DGK = 4-Spd. Automatic 42RE Transmission
DGS = 4-Speed Automatic AW4 Transmission
DGT = 4-Spd. Automatic 46RE Transmission
DGW = TRANSMISSION - 4-SPD. AUTOMATIC, 44RE
DGX = 4-Speed Automatic Transmission
DGY = No Description Available
DGZ = Transmission- 4-Spd. Automatic, MT643
DBB = ALL MANUAL TRANSMISSIONS
DGO = TRANSMISSIONS - ALL AUTOMATIC

AR = use ase required - = Non illustrated part

1998 XJ

Case and Extension AX5 (DDQ)
Figure AX-210



ITEM	PART NUMBER	QTY	LINE	SERIES	BODY	ENGINE	TRANS	TRIM	DESCRIPTION
36	83500540	2	B, T			EP0	DDQ		PIN, Shift Shaft
		2	J, U			EP0	DDQ		
37	83500524	AR	B, T			EP0	DDQ		PLUG, Transmission
		AR	J, U			EP0	DDQ		
38	83500972	1	J, U			EP0	DDQ		STUD, Hex Shoulder, M10x1.25x105

CHEROKEE (XJ)

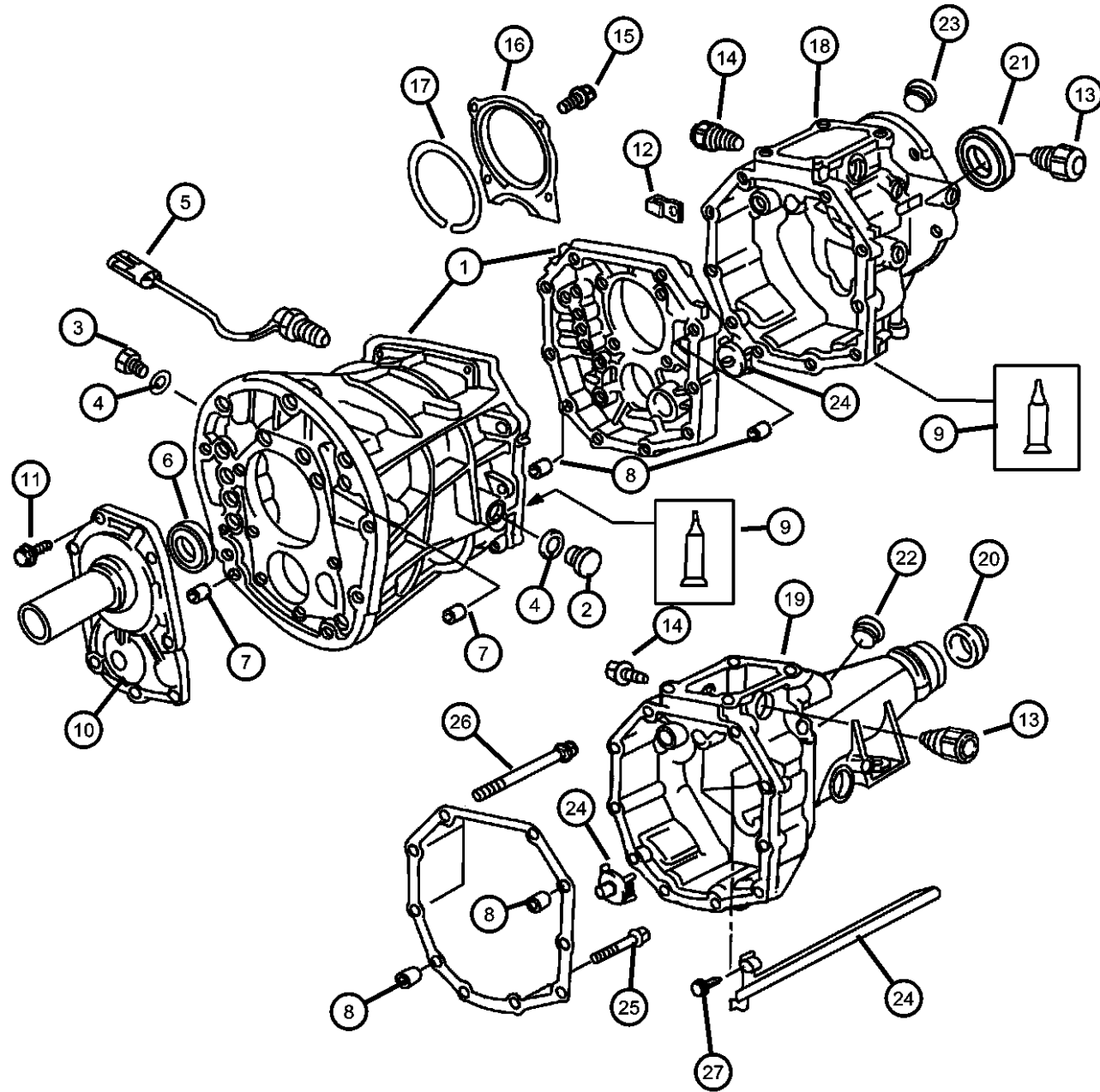
SERIES LINE
 L = LOWLINE B = JEEP - 2WD (RHD)
 U = JEEP - 4WD (RHD)
 T = LHD - (2WD)
 J = JEEP - - LHD (4WD)

BODY
 72 = 2DR (101.4 WB)
 74 = 4 DR (101.4 WB)

ENGINE TRANSMISSION
 ENC = 2.5L 4 Cyl Turbo Diesel Engine
 EPE = Engine - 2.5L Power Tech I-4 Cyl.
 ERH = 4.0L Power Tech I-6 Engine
 ENO = Engines - ALL 4/5 CYL Turbo Diesel
 ERO = Engines - All 4.0L 6 Cyl Gas
 EP0 = ENGINES - ALL 2.5L 4 CYL GAS
 DCB = Transmission - 4-Speed Manual, T3340
 DDQ = 5-Speed Manual Transmission
 DDX = 5-Speed HD Manual Transmission
 DGD = 3-Spd. Automatic 30RH Transmission
 DGK = 4-Spd. Automatic 42RE Transmission
 DGS = 4-Speed Automatic AW4 Transmission
 DGT = 4-Spd. Automatic 46RE Transmission
 DGW = TRANSMISSION - 4-SPD. AUTOMATIC, 44RE
 DGX = 4-Speed Automatic Transmission
 DGY = No Description Available
 DGZ = Transmission- 4-Spd. Automatic, MT643
 DBB = ALL MANUAL TRANSMISSIONS
 DGO = TRANSMISSIONS - ALL AUTOMATIC

AR = use ase required - = Non illustrated part

**Case and Related Parts AX 15 (DDQ)
Figure AX-215**



ITEM	PART NUMBER	QTY	LINE	SERIES	BODY	ENGINE	TRANS	TRIM	DESCRIPTION
1	05252034	1	J, U			ER0	DDQ		CASE, Transmission
		1	B, T			ER0	DDQ		52108048AB
2	83500623	1	J, U			ER0	DDQ		PLUG, Oil Fill
		1	B, T			ER0	DDQ		52108048AB
		1	J, U			ENC	DDQ		52108121AB
3	04543303	1	J, U			ER0	DDQ		PLUG, Differential Drain
		1	B, T			ER0	DDQ		52108048AB
		1	J, U			ENC	DDQ		52108121AB
4	83500513	2	J, U			ER0	DDQ		GASKET, Drain Plug
		2	B, T			ER0			52108048AB
5	83500629	1	J, U			ER0	DDQ		SWITCH, Back Up Lamp
		1	B, T			ER0	DDQ		52108048AB
6	05252053	1	J, U			ER0	DDQ		SEAL, Front Retainer
									52108047AB

Notes:

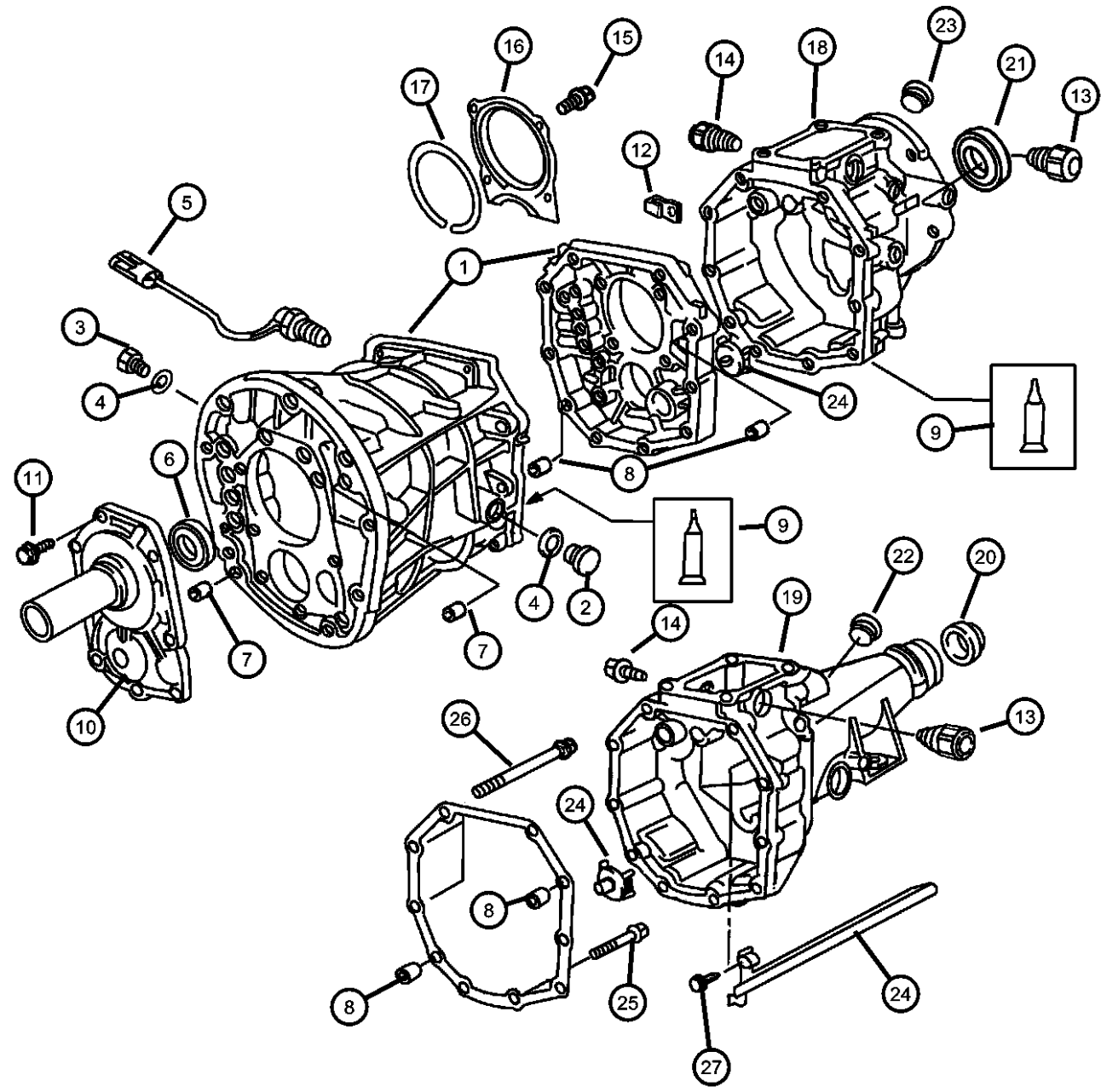
DGS = Aisin Warner 4 Speed Automatic Transmission
 DDQ = 5 Speed Manual Transmission
 ER0 = All 4.0L 6 Cylinder Gas Engines
 ENC = 2.5L 4 Cylinder Turbo Diesel Engine

CHEROKEE (XJ)

SERIES	LINE	BODY	ENGINE	TRANSMISSION
L = LOWLINE	B = JEEP - 2WD (RHD) U = JEEP - 4WD (RHD) T = LHD - (2WD) J = JEEP - - LHD (4WD)	72 = 2DR (101.4 WB) 74 = 4 DR (101.4 WB)	ENC = 2.5L 4 Cyl Turbo Diesel Engine EPE = Engine - 2.5L Power Tech I-4 Cyl. ERH = 4.0L Power Tech I-6 Engine ENO = Engines - ALL 4/5 CYL Turbo Diesel ERO = Engines - All 4.0L 6 Cyl Gas EPO = ENGINES - ALL 2.5L 4 CYL GAS	DCB = Transmission - 4-Speed Manual,T3340 DDQ = 5-Speed Manual Transmission DDX = 5-Speed HD Manual Transmission DGD = 3-Spd. Automatic 30RH Transmission DGK = 4-Spd. Automatic 42RE Transmission DGS = 4-Speed Automatic AW4 Transmission DGT = 4-Spd. Automatic 46RE Transmission DGW = TRANSMISSION - 4-SPD. AUTOMATIC,44RE DGX = 4-Speed Automatic Transmission DGY = No Description Available DGZ = Transmission- 4-Spd. Automatic,MT643 DBB = ALL MANUAL TRANSMISSIONS DGO = TRANSMISSIONS - ALL AUTOMATIC

AR = use ase required - = Non illustrated part

Case and Related Parts AX 15 (DDQ)
Figure AX-215

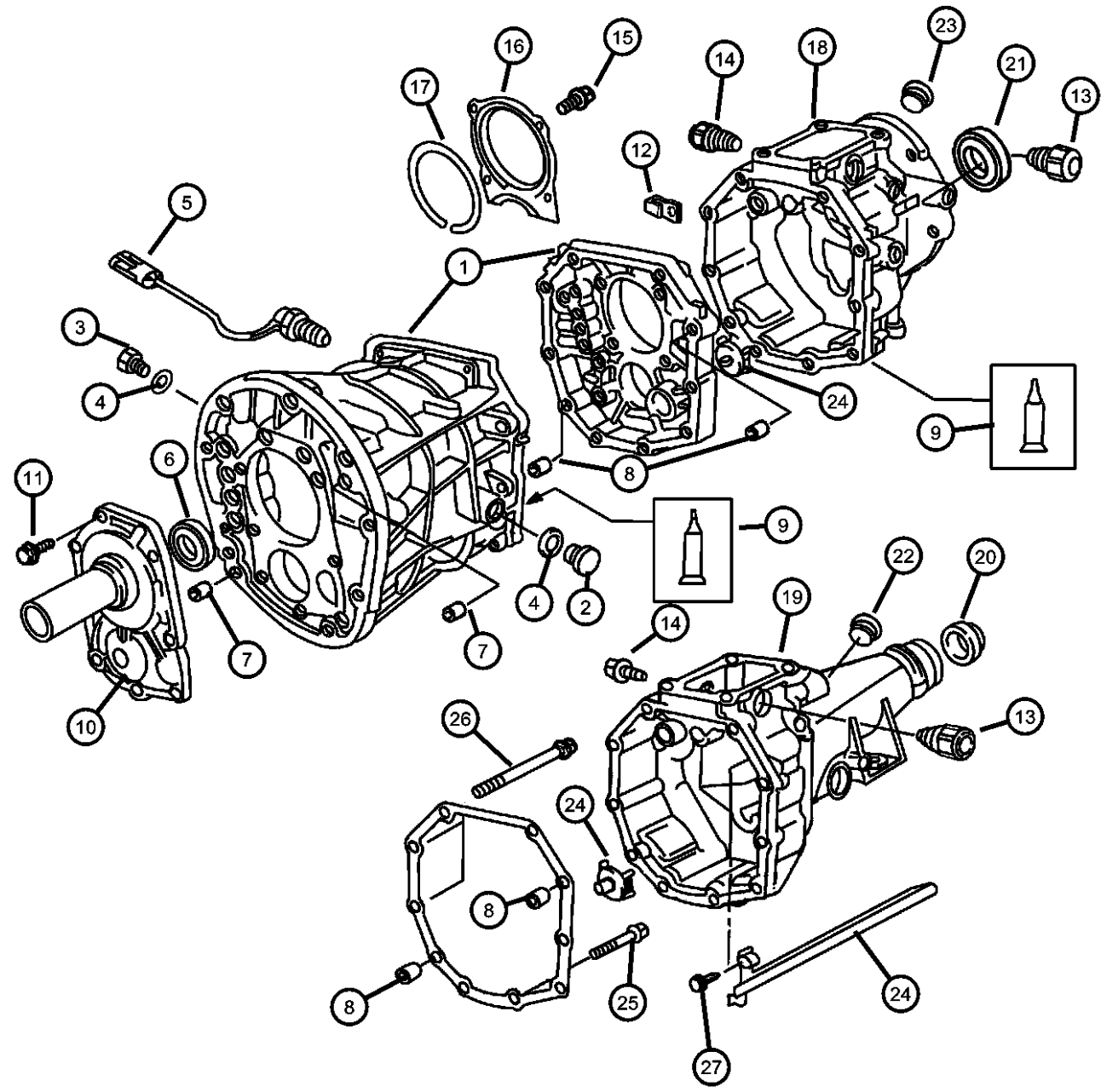


ITEM	PART NUMBER	QTY	LINE	SERIES	BODY	ENGINE	TRANS	TRIM	DESCRIPTION
		1	B, T			ER0	DDQ		52108048AB
7									PIN, Shift Shaft
	83500540	AR	J, U			ER0	DDQ		52108047AB
		AR	B, T			ER0			52108048AB
		AR	J, U			ENC			52108121AB
8									PIN, Locating
	83500504	2	J, U			ER0	DDQ		52108047AB
		2	B, T			ER0			52108048AB
9									SEALANT, RTV
	05010428AA	1	B, T			ER0	DGS		52104180AB
		1	J, U			ER0	DGS		52104210AB
10									RETAINER, Bearing
	04636382	1	J, U			ER0	DDQ		52108047AB
		1	B, T			ER0	DDQ		52108048AB
11									SCREW, Hex Head, M8x1.25x25
	34201818	AR	J, U			ER0	DDQ		52108047AB
		AR	B, T			ER0			52108048AB
		AR	J, U			ENC			52108121AB
12	83500631	1	J, U			ER0	DDQ		CLAMP, Transmission
13									PIN, Reverse Restrict
	83500516	1	J, U			ER0	DDQ		52108047AB
		1	B, T			ER0	DDQ		52108048AB

CHEROKEE (XJ)
 SERIES LINE BODY ENGINE TRANSMISSION
 L = LOWLINE B = JEEP - 2WD (RHD) 72 = 2DR (101.4 WB) ENC = 2.5L 4 Cyl Turbo Diesel DCB = Transmission - 4-Speed Manual, T3340
 U = JEEP - 4WD (RHD) 74 = 4 DR (101.4 WB) EPE = Engine - 2.5L Power Tech I-4 Cyl. DDQ = 5-Speed Manual Transmission
 T = LHD - (2WD) ERH = 4.0L Power Tech I-6 Engine DDG = 5-Speed HD Manual Transmission
 J = JEEP - - LHD (4WD) ENO = Engines - ALL 4/5 CYL Turbo Diesel DGD = 3-Spd. Automatic 30RH Transmission
 ERO = Engines - All 4.0L 6 Cyl Gas DGK = 4-Spd. Automatic 42RE Transmission
 DGS = 4-Speed Automatic AW4 Transmission
 EPO = ENGINES - ALL 2.5L 4 CYL GAS DGT = 4-Spd. Automatic 46RE Transmission
 DGW = TRANSMISSION - 4-SPD. AUTOMATIC, 44RE
 DGX = 4-Speed Automatic Transmission
 DGY = No Description Available
 DGZ = Transmission- 4-Spd. Automatic, MT643
 DBB = ALL MANUAL TRANSMISSIONS
 DGO = TRANSMISSIONS - ALL AUTOMATIC

AR = use ase required - = Non illustrated part

Case and Related Parts AX 15 (DDQ)
Figure AX-215

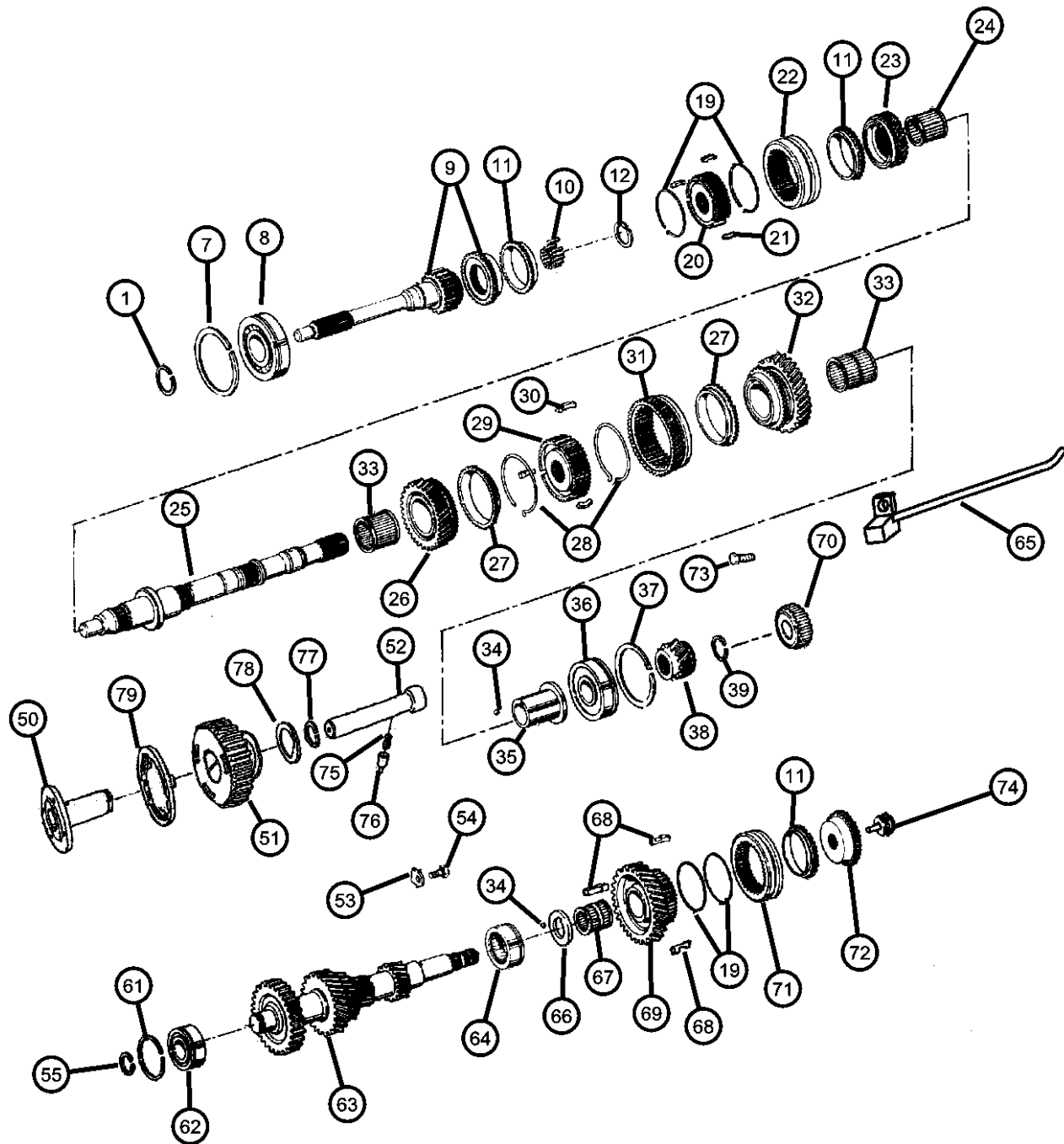


ITEM	PART NUMBER	QTY	LINE	SERIES	BODY	ENGINE	TRANS	TRIM	DESCRIPTION
	83500646	1	J, U			ER0	DDQ		52108047AB
		1	B, T			ER0	DDQ		52108048AB
		1	J, U			ENC	DDQ		52108121AB
25									BOLT, Transmission Case
	04746274	8	J, U			ER0	DDQ		52108047AB
		8	B, T			ER0			52108048AB
		8	J, U			ENC			52108121AB
26									BOLT
	83503548	2	J, U			ER0	DDQ		52108047AB
		2	B, T			ER0			52108048AB
		2	J, U			ENC			52108121AB
27	04897134AA	1	B, T			ER0	DDQ		BOLT, Oil Receiver Pipe

CHEROKEE (XJ)
 SERIES LINE BODY ENGINE TRANSMISSION
 L = LOWLINE B = JEEP - 2WD (RHD) 72 = 2DR (101.4 WB) ENC = 2.5L 4 Cyl Turbo Diesel DCB = Transmission - 4-Speed Manual,T3340
 U = JEEP - 4WD (RHD) 74 = 4 DR (101.4 WB) EPE = Engine - 2.5L Power Tech I-4 Cyl. DDQ = 5-Speed Manual Transmission
 T = LHD - (2WD) ERH = 4.0L Power Tech I-6 Transmission DDX = 5-Speed HD Manual
 J = JEEP - - LHD (4WD) Engine DGD = 3-Spd. Automatic 30RH Transmission
 ENO = Engines - ALL 4/5 CYL Turbo Diesel DGK = 4-Spd. Automatic 42RE Transmission
 ERO = Engines - All 4.0L 6 Cyl Gas DGS = 4-Speed Automatic AW4 Transmission
 EPO = ENGINES - ALL 2.5L 4 CYL GAS DGT = 4-Spd. Automatic 46RE Transmission
 DGW = TRANSMISSION - 4-SPD. AUTOMATIC,44RE
 DGX = 4-Speed Automatic Transmission
 DGY = No Description Available
 DGZ = Transmission- 4-Spd. Automatic,MT643
 DBB = ALL MANUAL TRANSMISSIONS
 DGO = TRANSMISSIONS - ALL AUTOMATIC

AR = use ase required - = Non illustrated part

**Gear Train AX 5 (DDQ)
Figure AX-410**



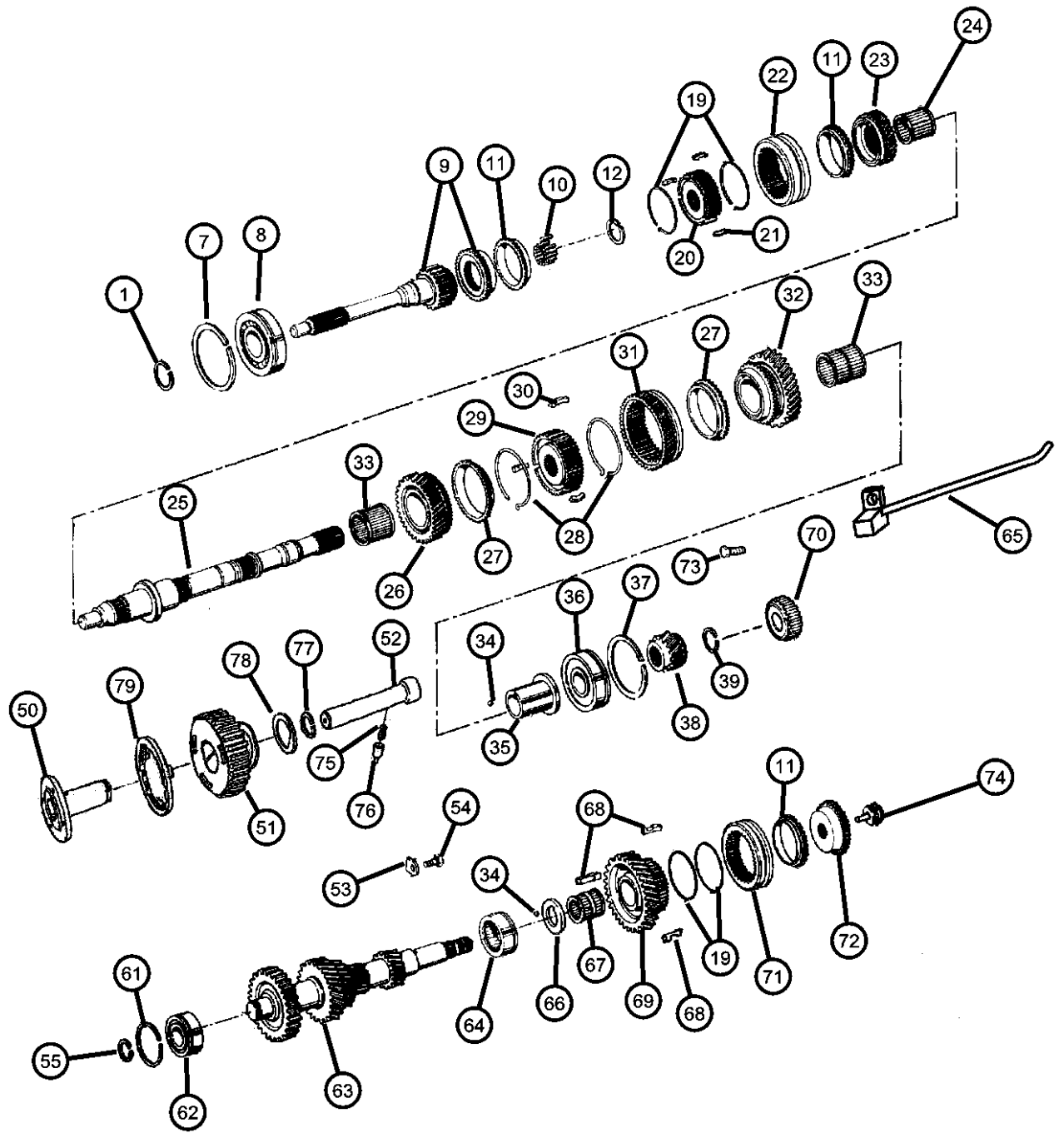
ITEM	PART NUMBER	QTY	LINE	SERIES	BODY	ENGINE	TRANS	TRIM	DESCRIPTION
1	83500645	1	B, T			EP0	DDQ		SNAP RING 52104546
		1	J, U			EP0	DDQ		52104547
-2	83500607	1	B, T			EP0	DDQ		SNAP RING, Input Shaft, 2.10mm 52104546
		1	J, U			EP0	DDQ		52104547
-3	83500608	1	B, T			EP0	DDQ		SNAP RING, Input Shaft, 2.15mm 52104546
		1	J, U			EP0	DDQ		52104547
-4	83500609	1	B, T			EP0	DDQ		SNAP RING, Input Shaft, 2.20mm 52104546
		1	J, U			EP0	DDQ		52104547
-5	83500610	1	B, T			EP0	DDQ		SNAP RING, Input Shaft, 2.25mm 52104546
		1	J, U			EP0	DDQ		52104547
-6	83500611	1	B, T			EP0	DDQ		SNAP RING, Input Shaft, 2.30mm 52104546
		1	J, U			EP0	DDQ		52104547
7	83500614	1	B, T			EP0	DDQ		SNAP RING 52104546

Notes:
DDQ = 5 Speed Manual Transmission
EP0 = All 2.5L Gas Engines

CHEROKEE (XJ)				
SERIES	LINE	BODY	ENGINE	TRANSMISSION
L = LOWLINE	B = JEEP - 2WD (RHD) U = JEEP - 4WD (RHD) T = LHD - (2WD) J = JEEP - - LHD (4WD)	72 = 2DR (101.4 WB) 74 = 4 DR (101.4 WB)	ENC = 2.5L 4 Cyl Turbo Diesel Engine EPE = Engine - 2.5L Power Tech I-4 Cyl. ERH = 4.0L Power Tech I-6 Engine ENO = Engines - ALL 4/5 CYL Turbo Diesel ERO = Engines - All 4.0L 6 Cyl Gas EP0 = ENGINES - ALL 2.5L 4 CYL GAS	DCB = Transmission - 4-Speed Manual, T3340 DDQ = 5-Speed Manual Transmission DDX = 5-Speed HD Manual Transmission DGD = 3-Spd. Automatic 30RH Transmission DGK = 4-Spd. Automatic 42RE Transmission DGS = 4-Speed Automatic AW4 Transmission DGT = 4-Spd. Automatic 46RE Transmission DGW = TRANSMISSION - 4-SPD. AUTOMATIC, 44RE DGX = 4-Speed Automatic Transmission DGY = No Description Available DGZ = Transmission- 4-Spd. Automatic, MT643 DBB = ALL MANUAL TRANSMISSIONS DGO = TRANSMISSIONS - ALL AUTOMATIC

AR = use ase required - = Non illustrated part

**Gear Train AX 5 (DDQ)
Figure AX-410**

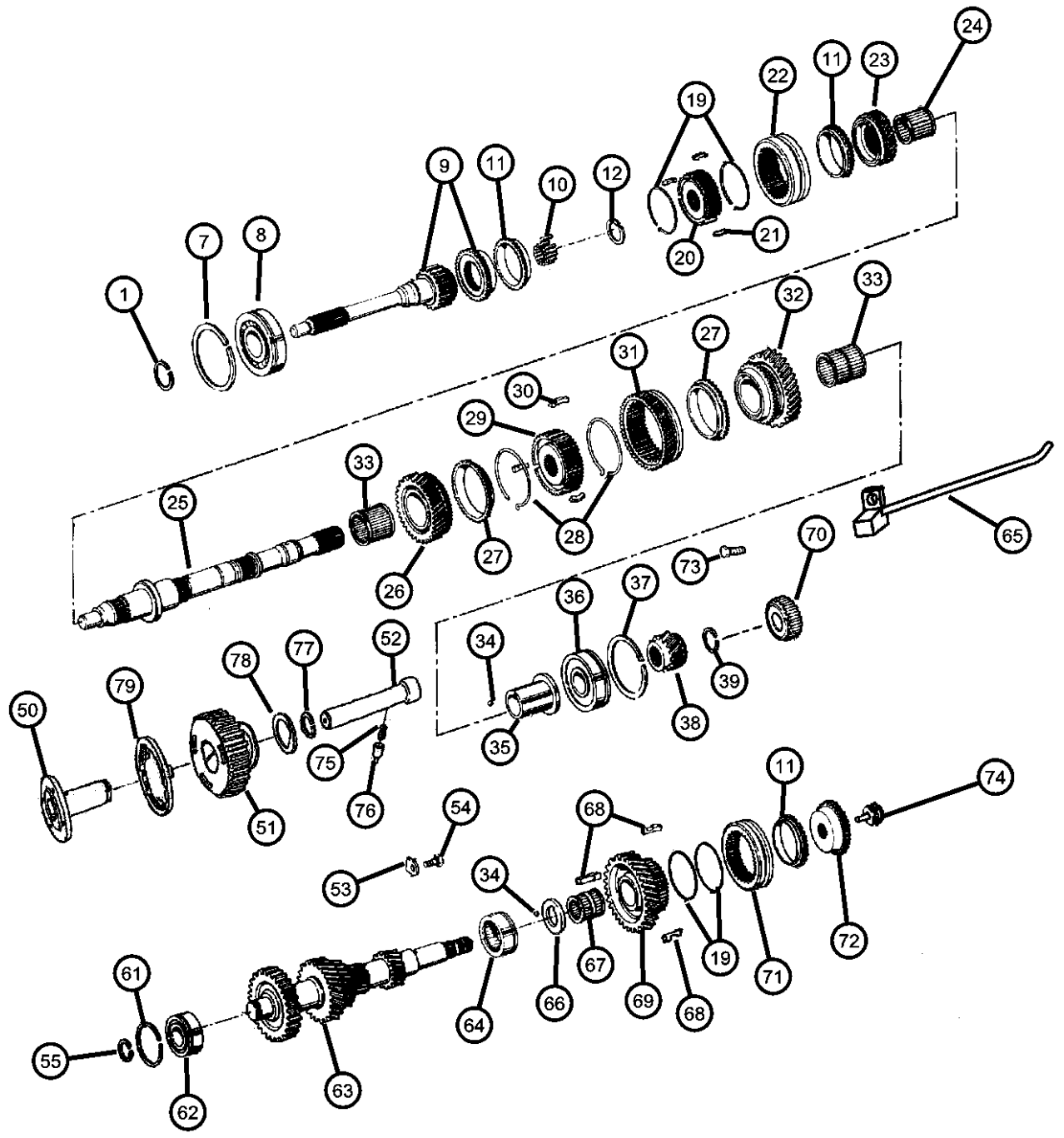


ITEM	PART NUMBER	QTY	LINE	SERIES	BODY	ENGINE	TRANS	TRIM	DESCRIPTION
									52104547
8	83502681	1	J, U			EP0	DDQ		BEARING, Input Shaft, 52104546
9		1	B, T			EP0	DDQ		SHAFT, Input
	83506020	1	B, T			EP0	DDQ		52104546
		1	J, U			EP0	DDQ		52104547
10									ROLLER, Input Gear
	83502680	13	B, T			EP0	DDQ		52104546
		13	J, U			EP0	DDQ		52104547
11									STOP RING, Synchronizer
	83500566	3	B, T			EP0	DDQ		52104546
		3	J, U			EP0	DDQ		52104547
12									SNAP RING, Mainshaft, 1.75mm
	83500598	1	B, T			EP0	DDQ		52104546
		1	J, U			EP0	DDQ		52104547
-13									SNAP RING, Mainshaft, 1.80mm
	83500599	1	B, T			EP0	DDQ		52104546
		1	J, U			EP0	DDQ		52104547
-14									SNAP RING, Mainshaft, 1.85mm
	83500602	1	B, T			EP0	DDQ		52104546
		1	J, U			EP0	DDQ		52104547
-15									SNAP RING, Mainshaft, 1.90mm
	83500603	1	B, T			EP0	DDQ		52104546

CHEROKEE (XJ)
SERIES LINE BODY ENGINE TRANSMISSION
 L = LOWLINE B = JEEP - 2WD (RHD) 72 = 2DR (101.4 WB) ENC = 2.5L 4 Cyl Turbo Diesel DCB = Transmission - 4-Speed Manual, T3340
 U = JEEP - 4WD (RHD) 74 = 4 DR (101.4 WB) EPE = Engine - 2.5L Power Tech I-4 Cyl. DDQ = 5-Speed Manual Transmission
 T = LHD - (2WD) ERH = 4.0L Power Tech I-6 Engine DDG = 5-Speed HD Manual Transmission
 J = JEEP - - LHD (4WD) ENO = Engines - ALL 4/5 CYL Turbo Diesel DGD = 3-Spd. Automatic 30RH Transmission
 ERO = Engines - All 4.0L 6 Cyl Gas DGK = 4-Spd. Automatic 42RE Transmission
 DGS = 4-Speed Automatic AW4 Transmission
 EP0 = ENGINES - ALL 2.5L 4 CYL GAS DGT = 4-Spd. Automatic 46RE Transmission
 DGW = TRANSMISSION - 4-SPD. AUTOMATIC, 44RE
 DGX = 4-Speed Automatic Transmission
 DGY = No Description Available
 DGZ = Transmission- 4-Spd. Automatic, MT643
 DBB = ALL MANUAL TRANSMISSIONS
 DGO = TRANSMISSIONS - ALL AUTOMATIC

AR = use ase required - = Non illustrated part

**Gear Train AX 5 (DDQ)
Figure AX-410**



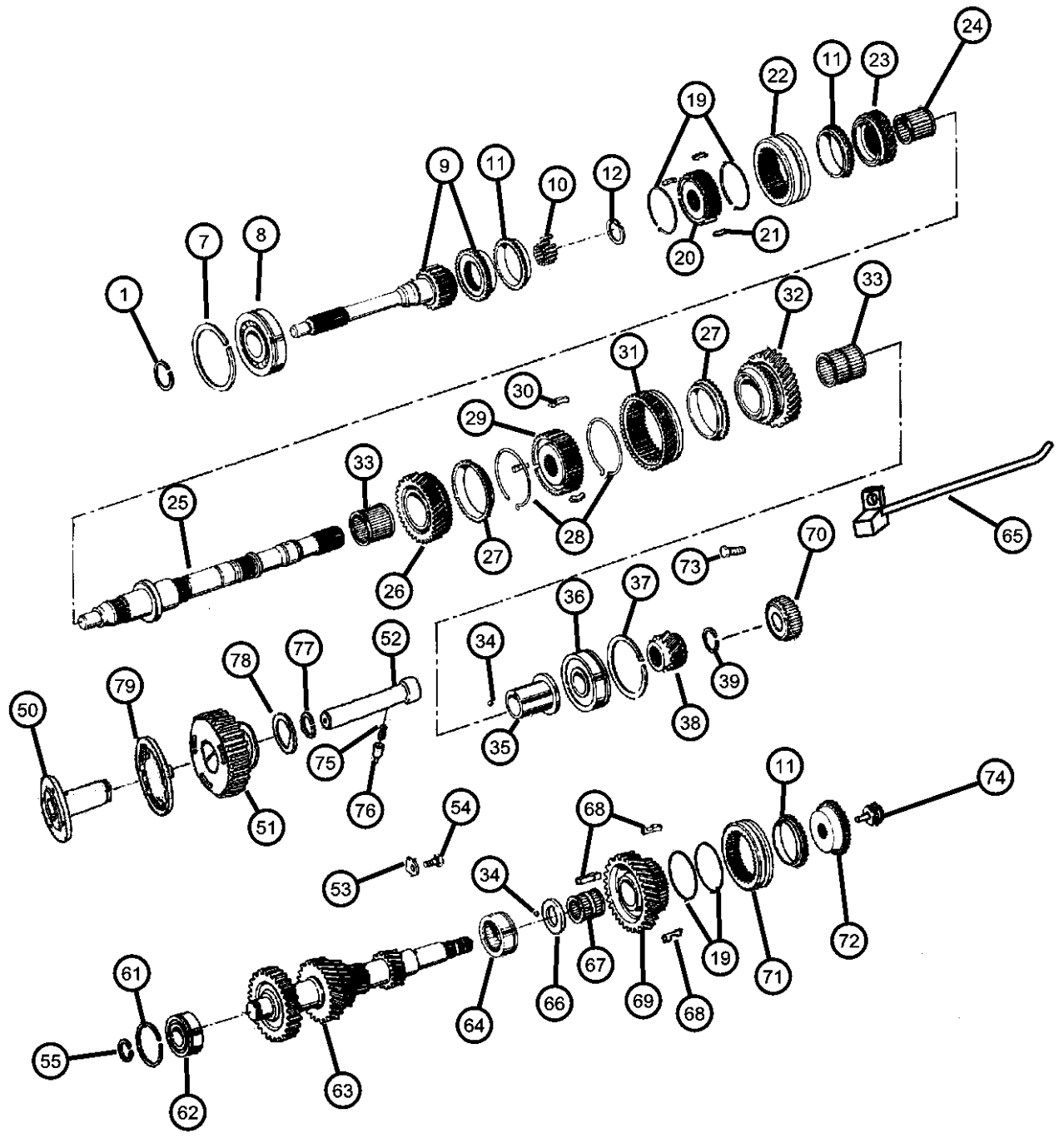
ITEM	PART NUMBER	QTY	LINE	SERIES	BODY	ENGINE	TRANS	TRIM	DESCRIPTION
	83506019	1	B, T			EP0	DDQ		52104546
		1	J, U			EP0	DDQ		52104547
24	83500576	1	B, T			EP0	DDQ		BEARING, Third Gear
		1	J, U			EP0	DDQ		52104547
25	83502117	1	B, T			EP0	DDQ		MAINSHAFT, Transmission
	83503105	1	J, U			EP0	DDQ		52104547
26	83506018	1	B, T			EP0	DDQ		GEAR, Second
		1	J, U			EP0	DDQ		52104547
27	83500567	2	B, T			EP0	DDQ		STOP RING, Synchronizer
		2	J, U			EP0	DDQ		52104547
28	83500569	2	B, T			EP0	DDQ		SPRING, Synchronizer Key
		2	J, U			EP0	DDQ		52104547
29	83500561	1	B, T			EP0	DDQ		SYNCHRONIZER, First and Second
		1	J, U			EP0	DDQ		52104547
30	83500564	3	B, T			EP0	DDQ		KEY, Synchronizer
									52104546

CHEROKEE (XJ)

SERIES	LINE	BODY	ENGINE	TRANSMISSION
L = LOWLINE	B = JEEP - 2WD (RHD) U = JEEP - 4WD (RHD) T = LHD - (2WD) J = JEEP - - LHD (4WD)	72 = 2DR (101.4 WB) 74 = 4 DR (101.4 WB)	ENC = 2.5L 4 Cyl Turbo Diesel Engine EPE = Engine - 2.5L Power Tech I-4 Cyl. ERH = 4.0L Power Tech I-6 Engine ENO = Engines - ALL 4/5 CYL Turbo Diesel ERO = Engines - All 4.0L 6 Cyl Gas EP0 = ENGINES - ALL 2.5L 4 CYL GAS	DCB = Transmission - 4-Speed Manual,T3340 DDQ = 5-Speed Manual Transmission DDX = 5-Speed HD Manual Transmission DGD = 3-Spd. Automatic 30RH Transmission DGK = 4-Spd. Automatic 42RE Transmission DGS = 4-Speed Automatic AW4 Transmission DGT = 4-Spd. Automatic 46RE Transmission DGW = TRANSMISSION - 4-SPD. AUTOMATIC,44RE DGX = 4-Speed Automatic Transmission DGY = No Description Available DGZ = Transmission- 4-Spd. Automatic,MT643 DBB = ALL MANUAL TRANSMISSIONS DGO = TRANSMISSIONS - ALL AUTOMATIC

AR = use ase required - = Non illustrated part

**Gear Train AX 5 (DDQ)
Figure AX-410**

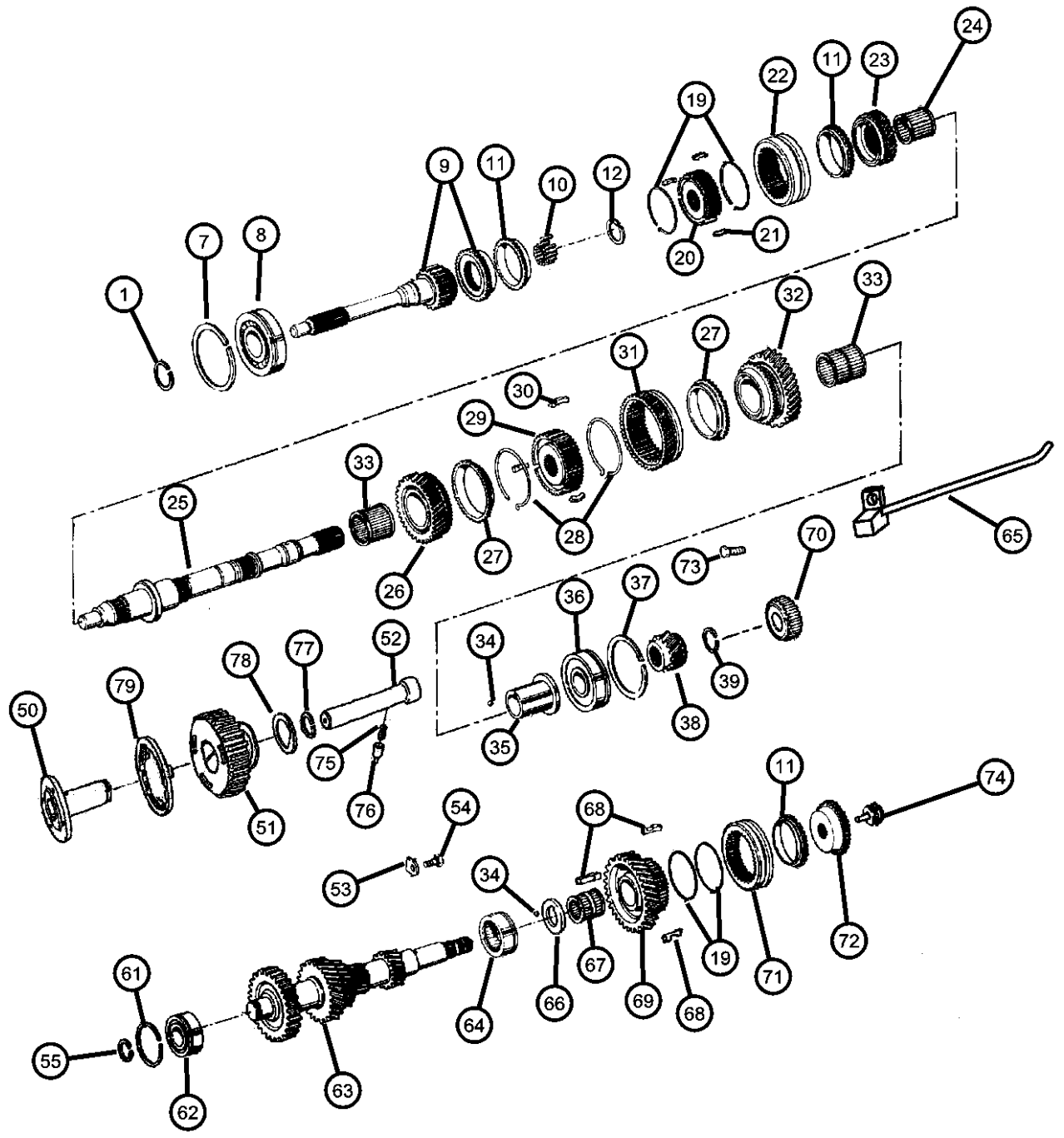


ITEM	PART NUMBER	QTY	LINE	SERIES	BODY	ENGINE	TRANS	TRIM	DESCRIPTION
		3	J, U			EP0	DDQ		52104547
31		1	B, T			EP0	DDQ		GEAR, Reverse
	04897101AA	1	J, U			EP0	DDQ		52104546
32		1	B, T			EP0	DDQ		GEAR, First
	83506017	1	J, U			EP0	DDQ		52104546
33	83506031	1	B, T			EP0	DDQ		BEARING, First Gear, 52104546
34	83500573	2	B, T			EP0	DDQ		BALL, Reverse, 52104546
35		1	B, T			EP0	DDQ		RACE, First Gear
	83506026	1	J, U			EP0	DDQ		52104547
36		1	B, T			EP0	DDQ		BEARING, Mainshaft
	83506030	1	J, U			EP0	DDQ		52104547
37		1	B, T			EP0	DDQ		SNAP RING
	83500613	1	J, U			EP0	DDQ		52104547
38		1	B, T			EP0	DDQ		GEAR, Fifth
	83500971	1	J, U			EP0	DDQ		52104547
39		1							SNAP RING, Mainshaft, 2.67-2.72mm

CHEROKEE (XJ)
 SERIES LINE BODY ENGINE TRANSMISSION
 L = LOWLINE B = JEEP - 2WD (RHD) 72 = 2DR (101.4 WB) ENC = 2.5L 4 Cyl Turbo Diesel DCB = Transmission - 4-Speed Manual, T3340
 U = JEEP - 4WD (RHD) 74 = 4 DR (101.4 WB) EPE = Engine - 2.5L Power Tech I-4 Cyl. DDQ = 5-Speed Manual Transmission
 T = LHD - (2WD) ERH = 4.0L Power Tech I-6 Engine DDG = 5-Speed HD Manual Transmission
 J = JEEP - - LHD (4WD) ENO = Engines - ALL 4/5 CYL Turbo Diesel DGD = 3-Spd. Automatic 30RH Transmission
 ERO = Engines - All 4.0L 6 Cyl Gas DGK = 4-Spd. Automatic 42RE Transmission
 DGS = 4-Speed Automatic AW4 Transmission
 EP0 = ENGINES - ALL 2.5L 4 CYL GAS DGT = 4-Spd. Automatic 46RE Transmission
 DGW = TRANSMISSION - 4-SPD. AUTOMATIC, 44RE
 DGX = 4-Speed Automatic Transmission
 DGY = No Description Available
 DGZ = Transmission- 4-Spd. Automatic, MT643
 DBB = ALL MANUAL TRANSMISSIONS
 DGO = TRANSMISSIONS - ALL AUTOMATIC

AR = use ase required - = Non illustrated part

**Gear Train AX 5 (DDQ)
Figure AX-410**

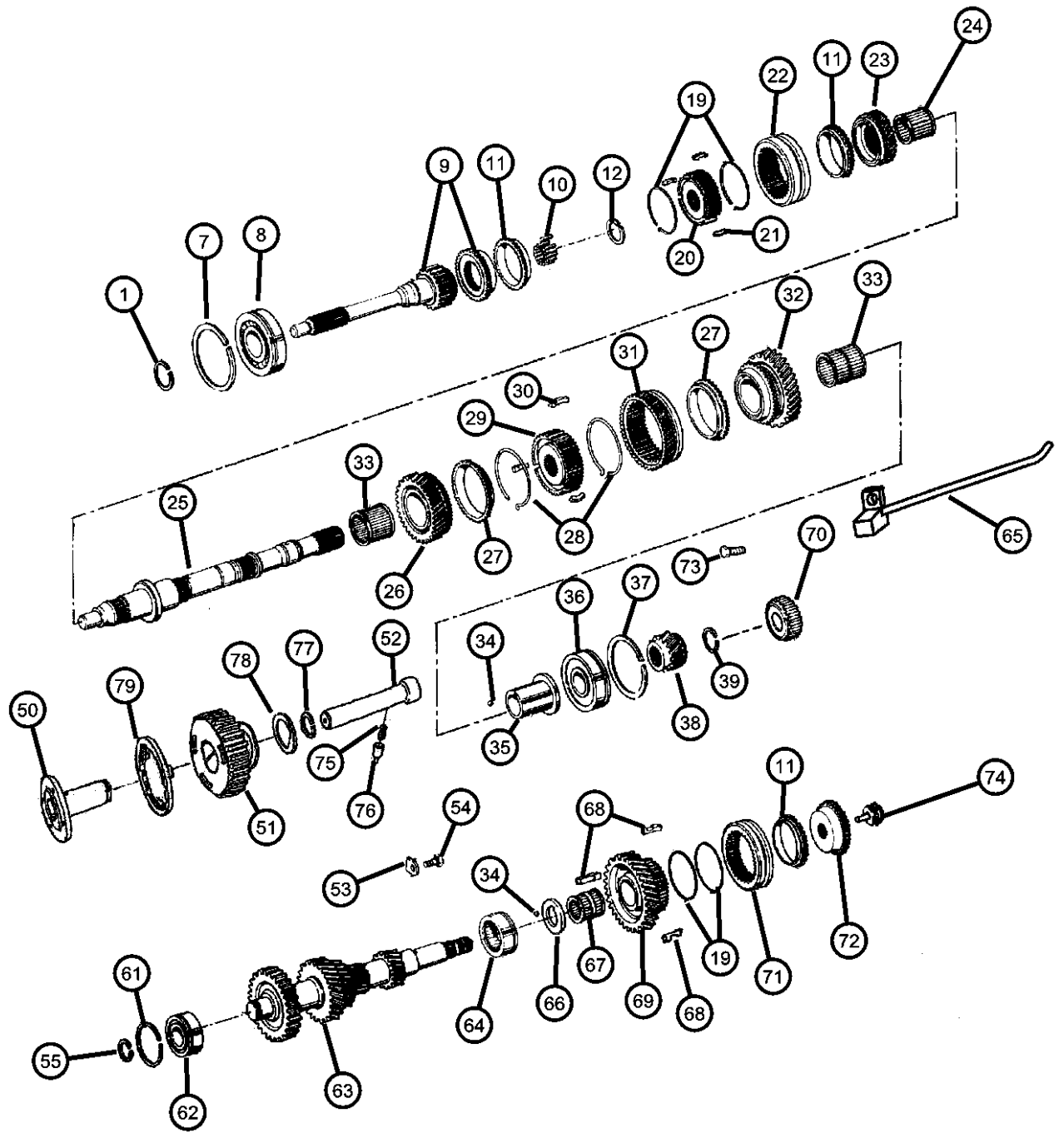


ITEM	PART NUMBER	QTY	LINE	SERIES	BODY	ENGINE	TRANS	TRIM	DESCRIPTION
	83500587	1	B, T			EP0	DDQ		52104546
		1	J, U			EP0	DDQ		52104547
-40									SNAP RING, Mainshaft, 2.73-2.78mm
	83500588	1	B, T			EP0	DDQ		52104546
		1	J, U			EP0	DDQ		52104547
-41									SNAP RING, Mainshaft, 2.79-2.84mm
	83500589	1	B, T			EP0	DDQ		52104546
		1	J, U			EP0	DDQ		52104547
-42									SNAP RING, Mainshaft, 2.85-2.90mm
	83500590	1	B, T			EP0	DDQ		52104546
		1	J, U			EP0	DDQ		52104547
-43									SNAP RING, Mainshaft, 2.91-2.96mm
	83500591	1	B, T			EP0	DDQ		52104546
		1	J, U			EP0	DDQ		52104547
-44									SNAP RING, Mainshaft, 2.97-3.02mm
	83500592	1	B, T			EP0	DDQ		52104546
		1	J, U			EP0	DDQ		52104547
-45									SNAP RING, Mainshaft, 3.03-3.08mm
	83500593	1	B, T			EP0	DDQ		52104546
		1	J, U			EP0	DDQ		52104747

CHEROKEE (XJ)
 SERIES LINE BODY ENGINE TRANSMISSION
 L = LOWLINE B = JEEP - 2WD (RHD) 72 = 2DR (101.4 WB) ENC = 2.5L 4 Cyl Turbo Diesel DCB = Transmission - 4-Speed Manual, T3340
 U = JEEP - 4WD (RHD) 74 = 4 DR (101.4 WB) EPE = Engine - 2.5L Power Tech I-4 Cyl. DDQ = 5-Speed Manual Transmission
 T = LHD - (2WD) ERH = 4.0L Power Tech I-6 Engine DDX = 5-Speed HD Manual Transmission
 J = JEEP - - LHD (4WD) ENO = Engines - ALL 4/5 CYL Turbo Diesel DGD = 3-Spd. Automatic 30RH Transmission
 ERO = Engines - All 4.0L 6 Cyl Gas DGK = 4-Spd. Automatic 42RE Transmission
 DGS = 4-Speed Automatic AW4 Transmission
 EP0 = ENGINES - ALL 2.5L 4 CYL GAS DGT = 4-Spd. Automatic 46RE Transmission
 DGW = TRANSMISSION - 4-SPD. AUTOMATIC, 44RE
 DGX = 4-Speed Automatic Transmission
 DGY = No Description Available
 DGZ = Transmission- 4-Spd. Automatic, MT643
 DBB = ALL MANUAL TRANSMISSIONS
 DGO = TRANSMISSIONS - ALL AUTOMATIC

AR = use ase required - = Non illustrated part

**Gear Train AX 5 (DDQ)
Figure AX-410**

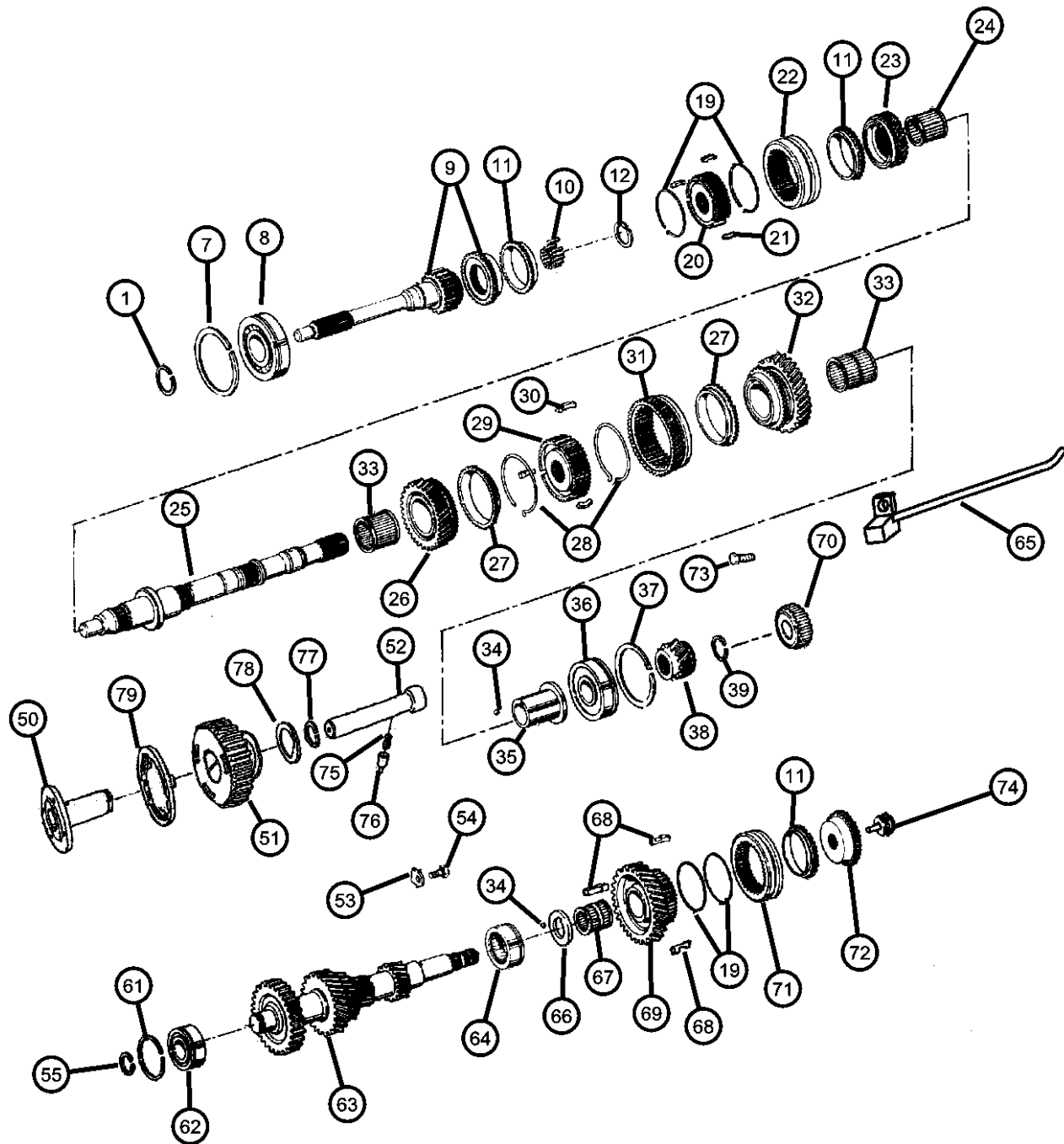


ITEM	PART NUMBER	QTY	LINE	SERIES	BODY	ENGINE	TRANS	TRIM	DESCRIPTION
-46									SNAP RING, Mainshaft, 3.09-3.14mm
	83500594	1	B, T			EP0	DDQ		52104546
		1	J, U			EP0	DDQ		52104547
-47									SNAP RING, Mainshaft, 3.15-3.20mm
	83500595	1	B, T			EP0	DDQ		52104546
		1	J, U			EP0	DDQ		52104547
-48									SNAP RING, Mainshaft, 3.21-3.26mm
	83500596	1	B, T			EP0	DDQ		52104546
		1	J, U			EP0	DDQ		52104547
-49									SNAP RING, Mainshaft
	83500597	1	B, T			EP0	DDQ		3.27mm/3.32mm. 52104546
		1	J, U			EP0	DDQ		3.27mm/3.32mm. 52104547
50									RACE, Idler Gear
	04897107AA	1	B, T			EP0	DDQ		52104546
		1	J, U			EP0	DDQ		52104547
51									GEAR, Reverse Idler
	04897102AA	1	B, T			EP0	DDQ		52104546
		1	J, U			EP0	DDQ		52104547
52									IDLER SHAFT, Transmission
	04897104AA	1	B, T			EP0	DDQ		52104546
		1	J, U			EP0	DDQ		52104547

CHEROKEE (XJ)
 SERIES LINE BODY ENGINE TRANSMISSION
 L = LOWLINE B = JEEP - 2WD (RHD) 72 = 2DR (101.4 WB) ENC = 2.5L 4 Cyl Turbo Diesel DCB = Transmission - 4-Speed Manual, T3340
 U = JEEP - 4WD (RHD) 74 = 4 DR (101.4 WB) EPE = Engine - 2.5L Power Tech I-4 Cyl. DDQ = 5-Speed Manual Transmission
 T = LHD - (2WD) ERH = 4.0L Power Tech I-6 Engine DDG = 5-Speed HD Manual Transmission
 J = JEEP - - LHD (4WD) ENO = Engines - ALL 4/5 CYL Turbo Diesel DGD = 3-Spd. Automatic 30RH Transmission
 ERO = Engines - All 4.0L 6 Cyl Gas DGK = 4-Spd. Automatic 42RE Transmission
 DGS = 4-Speed Automatic AW4 Transmission
 EP0 = ENGINES - ALL 2.5L 4 CYL GAS DGT = 4-Spd. Automatic 46RE Transmission
 DGW = TRANSMISSION - 4-SPD. AUTOMATIC, 44RE
 DGX = 4-Speed Automatic Transmission
 DGY = No Description Available
 DGZ = Transmission- 4-Spd. Automatic, MT643
 DBB = ALL MANUAL TRANSMISSIONS
 DGO = TRANSMISSIONS - ALL AUTOMATIC

AR = use ase required - = Non illustrated part

**Gear Train AX 5 (DDQ)
Figure AX-410**



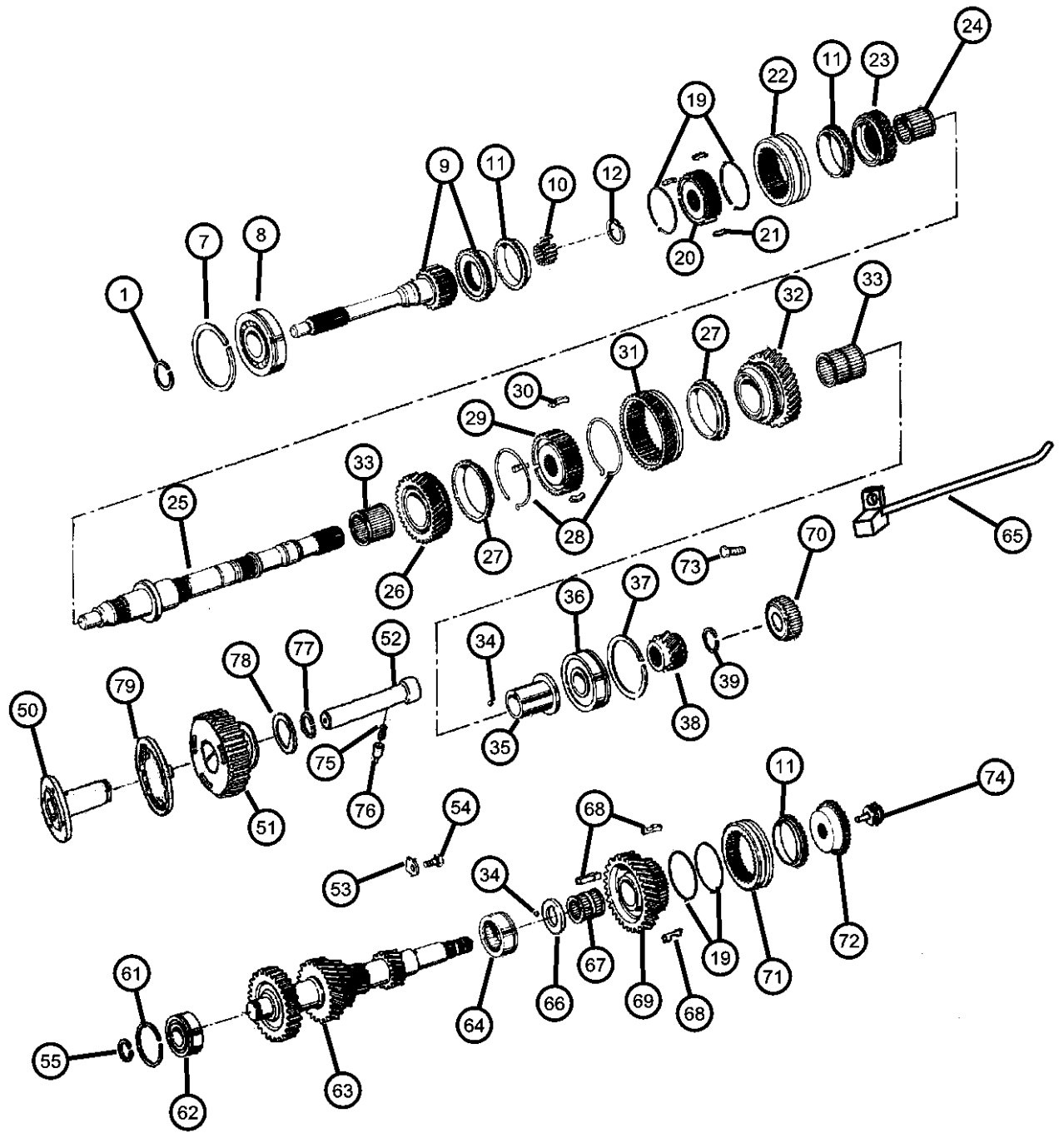
ITEM	PART NUMBER	QTY	LINE	SERIES	BODY	ENGINE	TRANS	TRIM	DESCRIPTION
-60									SNAP RING, Cluster Gear, 2.30mm
	83500586	1	B, T			EP0	DDQ		52104546
		1	J, U			EP0	DDQ		52104547
61									SNAP RING
	83500612	1	B, T			EP0	DDQ		52104546
		1	J, U			EP0	DDQ		52104547
62									BEARING, Cluster Gear
	83506032	1	B, T			EP0	DDQ		52104546
		1	J, U			EP0	DDQ		52104547
63									GEAR, Countershaft
	04897103AA	1	B, T			EP0	DDQ		
		1	J, U			EP0	DDQ		
64									BEARING, Cluster Gear
	83506033	1	B, T			EP0	DDQ		52104546
		1	J, U			EP0	DDQ		52104547
65	83502122	1	B, T			EP0	DDQ		PIPE, Oil Receiver, 52104546
66									THRUST WASHER, Fourth Gear
	83506025	1	B, T			EP0	DDQ		52104546
		1	J, U			EP0	DDQ		52104547
67	83500644	1	B, T			EP0	DDQ		NEEDLE BEARING, Fifth Gear, 52104546
68									KEY, Synchronizer
	83500641	3	B, T			EP0	DDQ		52104546

CHEROKEE (XJ)

SERIES	LINE	BODY	ENGINE	TRANSMISSION
L = LOWLINE	B = JEEP - 2WD (RHD) U = JEEP - 4WD (RHD) T = LHD - (2WD) J = JEEP - - LHD (4WD)	72 = 2DR (101.4 WB) 74 = 4 DR (101.4 WB)	ENC = 2.5L 4 Cyl Turbo Diesel Engine EPE = Engine - 2.5L Power Tech I-4 Cyl. ERH = 4.0L Power Tech I-6 Engine ENO = Engines - ALL 4/5 CYL Turbo Diesel ERO = Engines - All 4.0L 6 Cyl Gas EP0 = ENGINES - ALL 2.5L 4 CYL GAS	DCB = Transmission - 4-Speed Manual, T3340 DDQ = 5-Speed Manual Transmission DDX = 5-Speed HD Manual Transmission DGD = 3-Spd. Automatic 30RH Transmission DGK = 4-Spd. Automatic 42RE Transmission DGS = 4-Speed Automatic AW4 Transmission DGT = 4-Spd. Automatic 46RE Transmission DGW = TRANSMISSION - 4-SPD. AUTOMATIC, 44RE DGX = 4-Speed Automatic Transmission DGY = No Description Available DGZ = Transmission- 4-Spd. Automatic, MT643 DBB = ALL MANUAL TRANSMISSIONS DGO = TRANSMISSIONS - ALL AUTOMATIC

AR = use ase required - = Non illustrated part

**Gear Train AX 5 (DDQ)
Figure AX-410**

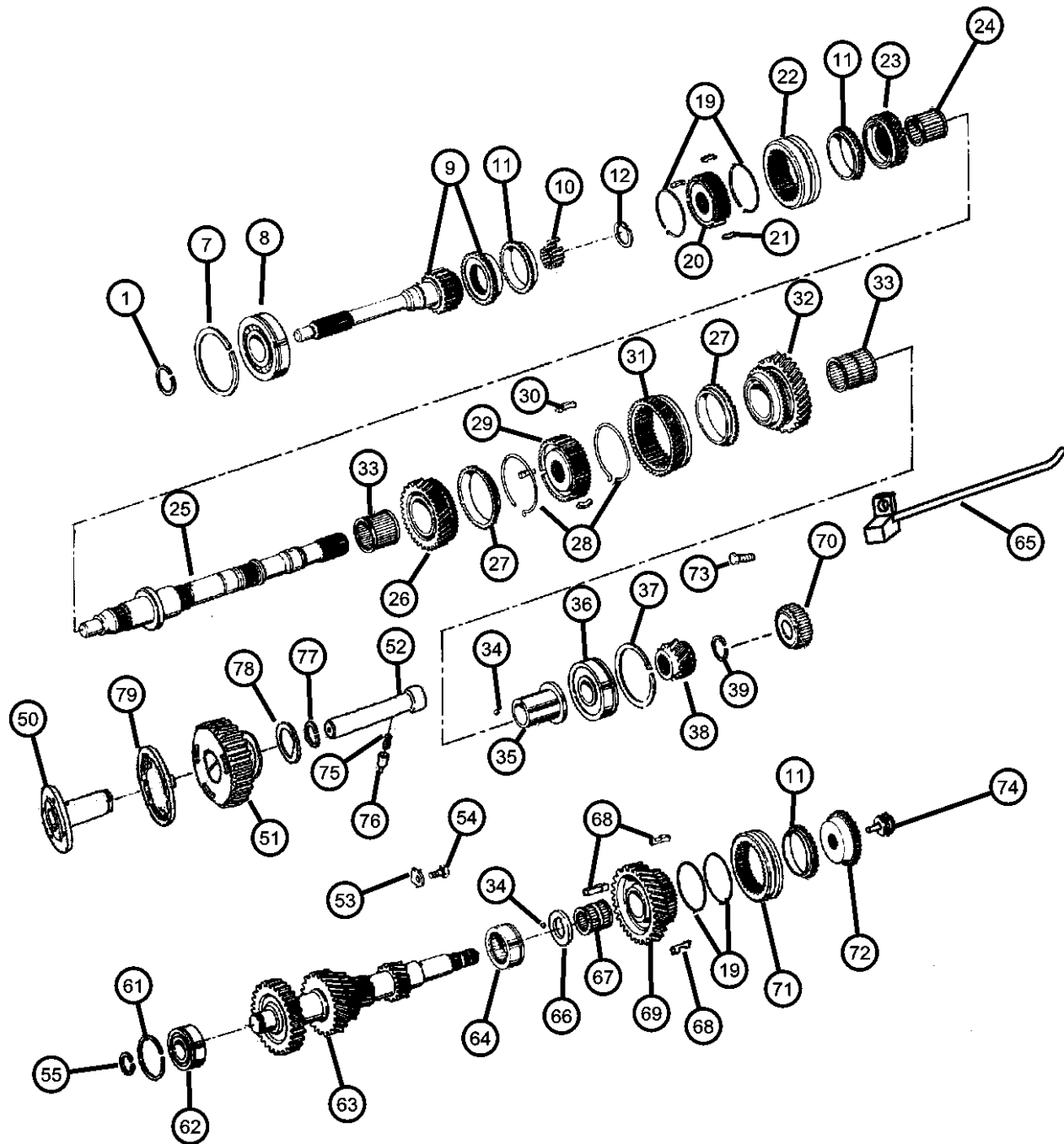


ITEM	PART NUMBER	QTY	LINE	SERIES	BODY	ENGINE	TRANS	TRIM	DESCRIPTION
		3	J, U			EP0	DDQ		52104547
69		1	B, T			EP0	DDQ		GEAR, Countershaft Fifth
	83506022	1	J, U			EP0	DDQ		52104546
70	83502121	1	B, T			EP0	DDQ		GEAR, Speedometer Drive, 52104546
71		1	J, U			EP0	DDQ		SLEEVE, Synchronizer
	04746657	1	B, T			EP0	DDQ		52104546
72		1	J, U			EP0	DDQ		52104547
72	83506024	1	B, T			EP0	DDQ		GEAR, Fifth Splined
		1	J, U			EP0	DDQ		52104547
73	83502126	1	B, T			EP0	DDQ		BOLT, Oil Receiver Pipe, 52104546
74		1	B, T			EP0	DDQ		PIPE, Oil Receiver
	83500646	1	J, U			EP0	DDQ		52104546
		1	J, U			EP0	DDQ		52104547
75		1	B, T			EP0	DDQ		SPRING, Compression
	04897110AA	1	J, U			EP0	DDQ		52104547
		1	J, U			EP0	DDQ		52104547
76		1	B, T			EP0	DDQ		PIN
	04897109AA	1	J, U			EP0	DDQ		52104546
		1	J, U			EP0	DDQ		52104547
77									RING, Snap

CHEROKEE (XJ)
 SERIES LINE BODY ENGINE TRANSMISSION
 L = LOWLINE B = JEEP - 2WD (RHD) 72 = 2DR (101.4 WB) ENC = 2.5L 4 Cyl Turbo Diesel DCB = Transmission - 4-Speed Manual, T3340
 U = JEEP - 4WD (RHD) 74 = 4 DR (101.4 WB) EPE = Engine - 2.5L Power Tech I-4 Cyl. DDQ = 5-Speed Manual Transmission
 T = LHD - (2WD) ERH = 4.0L Power Tech I-6 Engine DDG = 5-Speed HD Manual Transmission
 J = JEEP - - LHD (4WD) ENO = Engines - ALL 4/5 CYL Turbo Diesel DGD = 3-Spd. Automatic 30RH Transmission
 ERO = Engines - All 4.0L 6 Cyl Gas DGK = 4-Spd. Automatic 42RE Transmission
 DGS = 4-Speed Automatic AW4 Transmission
 EP0 = ENGINES - ALL 2.5L 4 CYL GAS DGT = 4-Spd. Automatic 46RE Transmission
 DGW = TRANSMISSION - 4-SPD. AUTOMATIC, 44RE
 DGX = 4-Speed Automatic Transmission
 DGY = No Description Available
 DGZ = Transmission- 4-Spd. Automatic, MT643
 DBB = ALL MANUAL TRANSMISSIONS
 DGO = TRANSMISSIONS - ALL AUTOMATIC

AR = use ase required - = Non illustrated part

**Gear Train AX 5 (DDQ)
Figure AX-410**

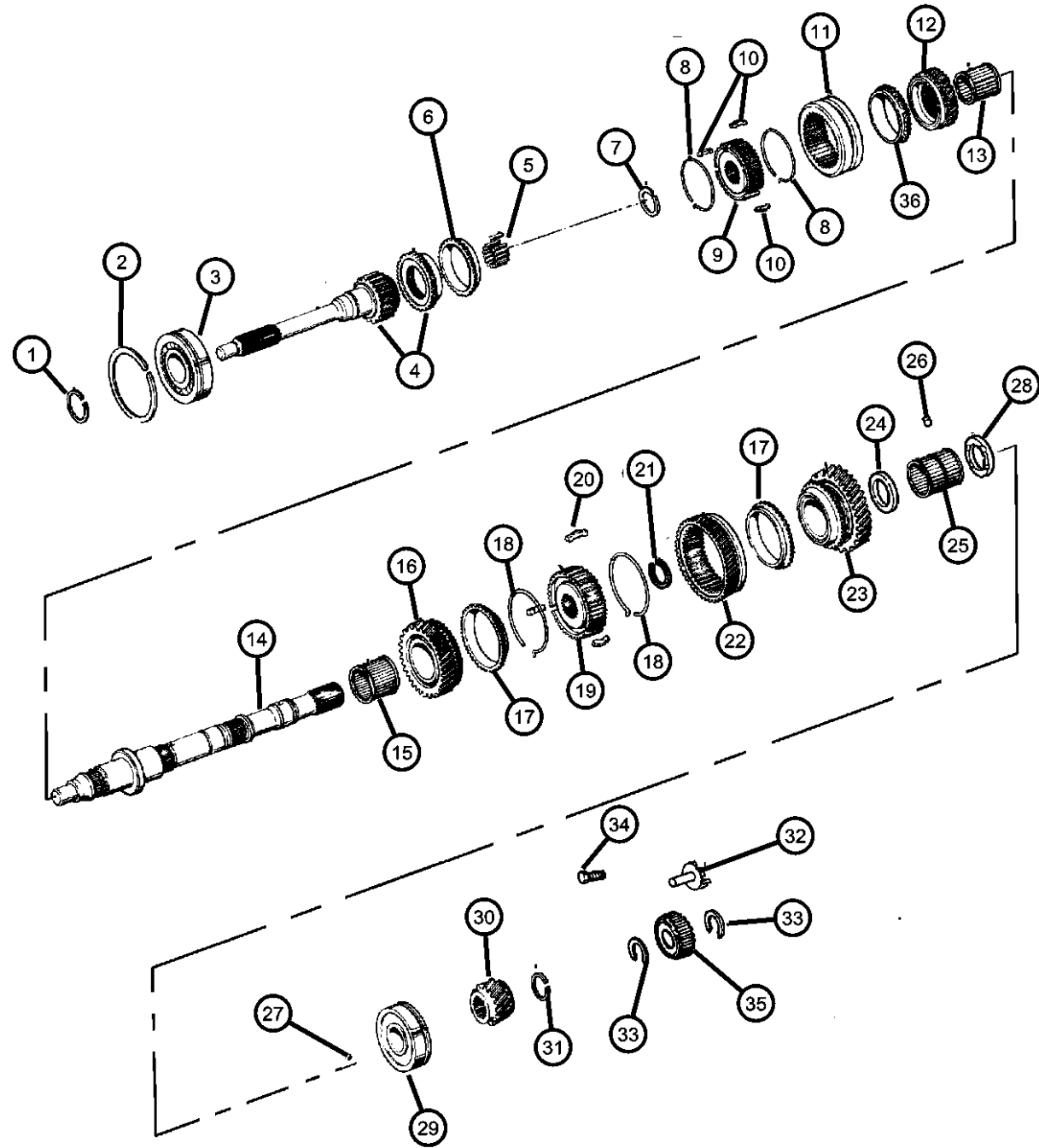


ITEM	PART NUMBER	QTY	LINE	SERIES	BODY	ENGINE	TRANS	TRIM	DESCRIPTION
	04897112AA	1	B, T			EP0	DDQ		52104546
		1	J, U			EP0	DDQ		52104547
78									PLATE, Transmission Idler Shaft
	04897108AA	1	B, T			EP0	DDQ		52104546
		1	J, U			EP0	DDQ		52104547
79									RING, Transmission
	04897111AA	1	B, T			EP0	DDQ		52104546
		1	J, U			EP0	DDQ		52104547

CHEROKEE (XJ)
 SERIES LINE BODY ENGINE TRANSMISSION
 L = LOWLINE B = JEEP - 2WD (RHD) 72 = 2DR (101.4 WB) ENC = 2.5L 4 Cyl Turbo Diesel DCB = Transmission - 4-Speed Manual,T3340
 U = JEEP - 4WD (RHD) 74 = 4 DR (101.4 WB) EPE = Engine - 2.5L Power Tech I-4 Cyl. DDQ = 5-Speed Manual Transmission
 T = LHD - (2WD) ERH = 4.0L Power Tech I-6 Transmission
 J = JEEP - - LHD (4WD) Engine DGD = 3-Spd. Automatic 30RH Transmission
 ENO = Engines - ALL 4/5 CYL Turbo Diesel DGK = 4-Spd. Automatic 42RE Transmission
 ERO = Engines - All 4.0L 6 Cyl Gas DGS = 4-Speed Automatic AW4 Transmission
 EP0 = ENGINES - ALL 2.5L 4 CYL GAS DGT = 4-Spd. Automatic 46RE Transmission
 DGW = TRANSMISSION - 4-SPD. AUTOMATIC,44RE
 DGX = 4-Speed Automatic Transmission
 DGY = No Description Available
 DGZ = Transmission- 4-Spd. Automatic,MT643
 DBB = ALL MANUAL TRANSMISSIONS
 DGO = TRANSMISSIONS - ALL AUTOMATIC

AR = use ase required - = Non illustrated part

**Gear Train AX 15 (DDQ)
Figure AX-415**



ITEM	PART NUMBER	QTY	LINE	SERIES	BODY	ENGINE	TRANS	TRIM	DESCRIPTION
------	-------------	-----	------	--------	------	--------	-------	------	-------------

Notes:
DDQ = 5 Speed Manual Transmission
ER0 = All 4.0L 6 Cylinder Gas Engines
ENC = 2.5L 4 Cylinder Turbo Diesel Engine

1	83506099	1	J, U			ER0	DDQ		SNAP RING Stamped A (X=2.10mm/2.15mm). 52108047AB
		1	B, T			ER0	DDQ		Stamped A (X=2.10mm/2.15mm). 52108048AB
		1	J, U			ENC	DDQ		Stamped A (X=2.10mm/2.15mm). 52108121AB
	83506214	1	J, U			ER0	DDQ		Stamped B (X=2.15mm/2.20mm). 52108047AB
		1	B, T			ER0	DDQ		Stamped B (X=2.15mm/2.20mm). 52108048AB
		1	J, U			ENC	DDQ		Stamped B (X=2.15mm/2.20mm). 52108121AB
	83506215	1	J, U			ER0	DDQ		Stamped C (X=2.20mm/2.25mm). 52108047AB
		1	B, T			ER0	DDQ		Stamped C (X=2.20mm/2.25mm). 52108048AB
		1	J, U			ENC	DDQ		Stamped C (X=2.20mm/2.25mm). 52108121AB

CHEROKEE (XJ)

SERIES LINE
L = LOWLINE B = JEEP - 2WD (RHD)
U = JEEP - 4WD (RHD)
T = LHD - (2WD)
J = JEEP - - LHD (4WD)

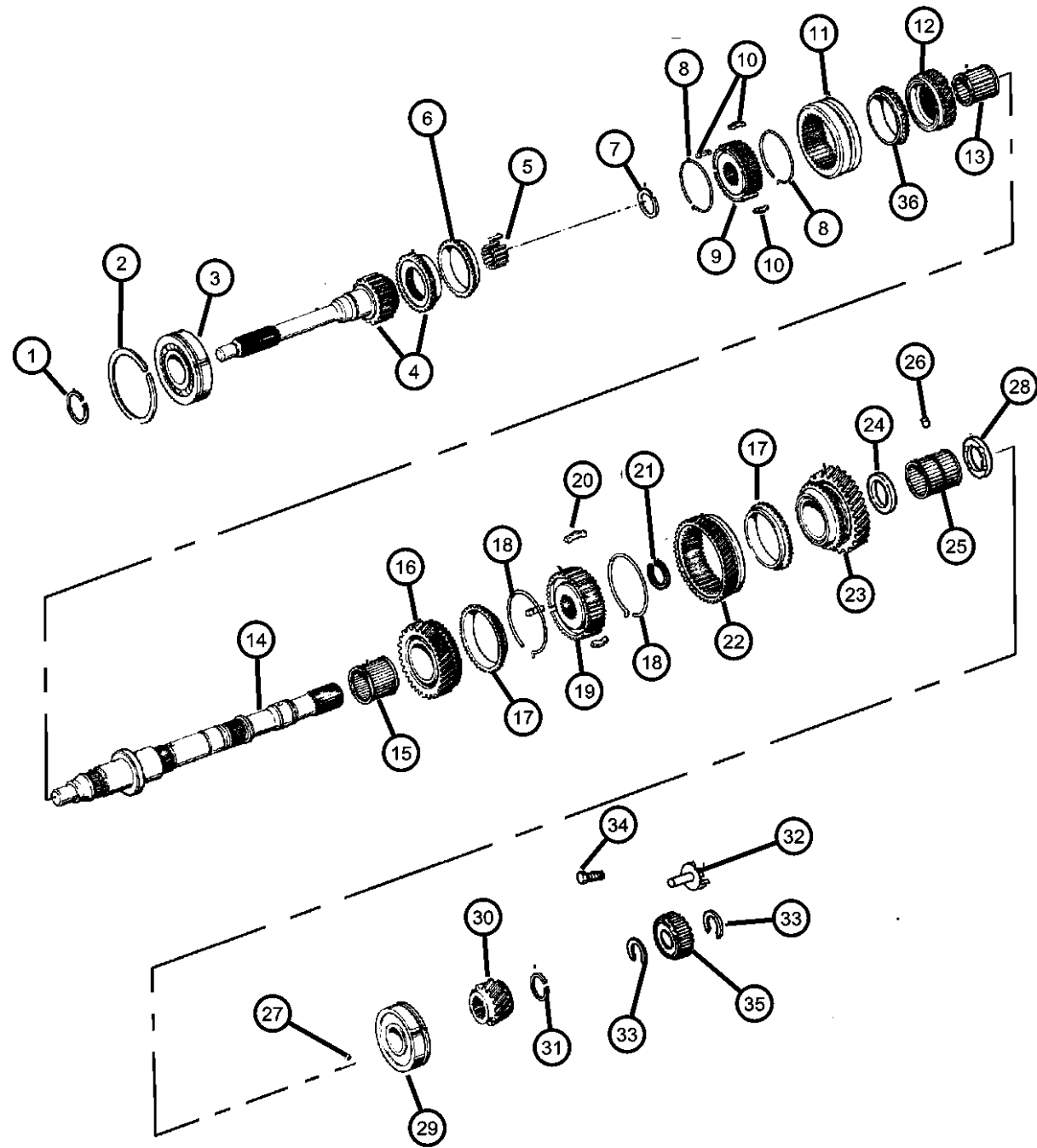
BODY
72 = 2DR (101.4 WB)
74 = 4 DR (101.4 WB)

ENGINE TRANSMISSION
ENC = 2.5L 4 Cyl Turbo Diesel Engine DCB = Transmission - 4-Speed Manual, T3340
EPE = Engine - 2.5L Power Tech I-4 Cyl. DDQ = 5-Speed Manual Transmission
ERH = 4.0L Power Tech I-6 Engine DDX = 5-Speed HD Manual Transmission
ENO = Engines - ALL 4/5 CYL Turbo Diesel DGD = 3-Spd. Automatic 30RH Transmission
ER0 = Engines - All 4.0L 6 Cyl Gas DGK = 4-Spd. Automatic 42RE Transmission
EPO = ENGINES - ALL 2.5L 4 CYL GAS DGS = 4-Speed Automatic AW4 Transmission
DGT = 4-Spd. Automatic 46RE Transmission
DGW = TRANSMISSION - 4-SPD. AUTOMATIC, 44RE
DGX = 4-Speed Automatic Transmission
DGY = No Description Available
DGZ = Transmission- 4-Spd. Automatic, MT643
DBB = ALL MANUAL TRANSMISSIONS
DGO = TRANSMISSIONS - ALL AUTOMATIC

AR = use ase required - = Non illustrated part

1998 XJ

**Gear Train AX 15 (DDQ)
Figure AX-415**



ITEM	PART NUMBER	QTY	LINE	SERIES	BODY	ENGINE	TRANS	TRIM	DESCRIPTION
	83506216	1	J, U			ER0	DDQ		Stamped D (X=2.25mm/2.30mm). 52105047AB
		1	B, T			ER0	DDQ		Stamped D (X=2.25mm/2.30mm). 52108048AB
		1	J, U			ENC	DDQ		Stamped D (X=2.25mm/2.30mm). 52108121AB
	83506217	1	J, U			ER0	DDQ		Stamped E (X=2.30mm/2.35mm). 52108047AB
		1	B, T			ER0	DDQ		Stamped E (X=2.30mm/2.35mm). 52108048AB
		1	J, U			ENC	DDQ		Stamped E (X=2.30mm/2.35mm). 52108121AB
	83506218	1	J, U			ER0	DDQ		Stamped F (X=2.35mm/2.40mm). 52108047AB
		1	B, T			ER0	DDQ		Stamped F (X=2.35mm/2.40mm). 52108048AB
		1	J, U			ENC	DDQ		Stamped F (X=2.35mm/2.40mm). 52108121AB
	83506219	1	J, U			ER0	DDQ		Stamped G (X=2.40mm/2.45mm). 52108047AB

CHEROKEE (XJ)

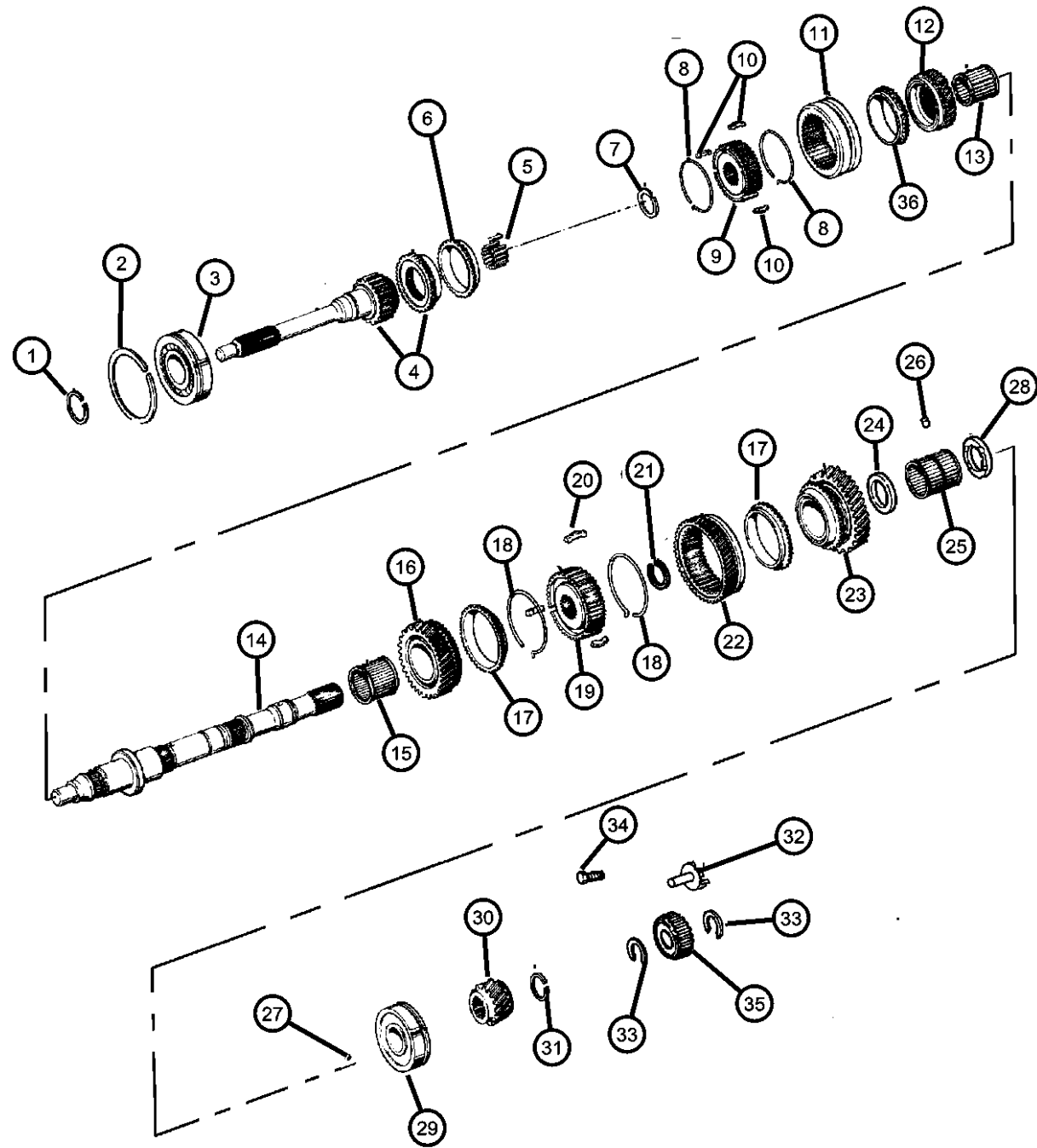
SERIES LINE
 L = LOWLINE B = JEEP - 2WD (RHD)
 U = JEEP - 4WD (RHD)
 T = LHD - (2WD)
 J = JEEP - - LHD (4WD)

BODY
 72 = 2DR (101.4 WB)
 74 = 4 DR (101.4 WB)

ENGINE TRANSMISSION
 ENC = 2.5L 4 Cyl Turbo Diesel Engine
 EPE = Engine - 2.5L Power Tech I-4 Cyl.
 ERH = 4.0L Power Tech I-6 Engine
 ENO = Engines - ALL 4/5 CYL Turbo Diesel
 ERO = Engines - All 4.0L 6 Cyl GAS
 EPO = ENGINES - ALL 2.5L 4 CYL GAS
 DCB = Transmission - 4-Speed Manual, T3340
 DDQ = 5-Speed Manual Transmission
 DDX = 5-Speed HD Manual Transmission
 DGD = 3-Spd. Automatic 30RH Transmission
 DKG = 4-Spd. Automatic 42RE Transmission
 DGS = 4-Speed Automatic AW4 Transmission
 DGT = 4-Spd. Automatic 46RE Transmission
 DGW = TRANSMISSION - 4-SPD. AUTOMATIC, 44RE
 DGX = 4-Speed Automatic Transmission
 DGY = No Description Available
 DGZ = Transmission- 4-Spd. Automatic, MT643
 DBB = ALL MANUAL TRANSMISSIONS
 DGO = TRANSMISSIONS - ALL AUTOMATIC

AR = use ase required - = Non illustrated part

**Gear Train AX 15 (DDQ)
Figure AX-415**



ITEM	PART NUMBER	QTY	LINE	SERIES	BODY	ENGINE	TRANS	TRIM	DESCRIPTION
		1	B, T			ER0	DDQ		Stamped G (X=2.40mm/2.45mm). 52108048AB
		1	J, U			ENC	DDQ		Stamped G (X=2.40mm/2.45mm). 52108121AB
2	83506222	1	J, U			ER0	DDQ		SNAP RING 52108047AB
		1	B, T			ER0	DDQ		52108048AB
		1	J, U			ENC	DDQ		52108121AB
3	83506074	1	J, U			ER0	DDQ		BEARING, Input Shaft 52108047AB
		1	B, T			ER0	DDQ		52108047AB
		1	J, U			ENC	DDQ		52108121AB
4	04897048AA	1	J, U			ER0	DDQ		INPUT SHAFT, Transmission 52108047AB
		1	B, T			ER0	DDQ		52108048AB
		1	J, U			ENC	DDQ		52108121AB
5	83506078	1	J, U			ER0	DDQ		NEEDLE BEARING, Input Shaft 52108047AB
		1	B, T			ER0	DDQ		52108048AB
		1	J, U			ENC	DDQ		52108121AB
6	04897052AA	1	J, U			ER0	DDQ		STOP RING, Synchronizer 52108047AB

CHEROKEE (XJ)

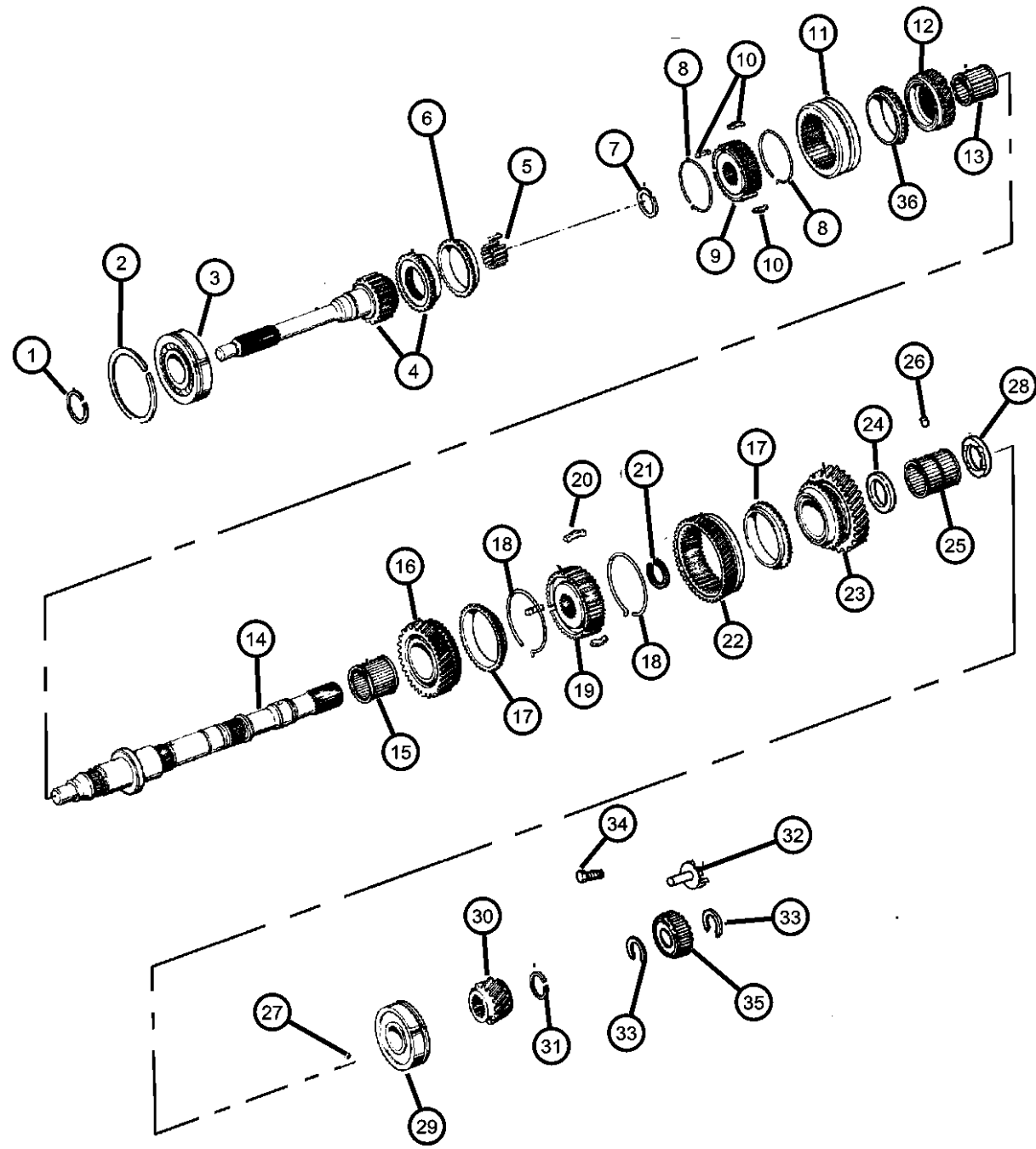
SERIES LINE
 L = LOWLINE B = JEEP - 2WD (RHD)
 U = JEEP - 4WD (RHD)
 T = LHD - (2WD)
 J = JEEP - - LHD (4WD)

BODY
 72 = 2DR (101.4 WB)
 74 = 4 DR (101.4 WB)

ENGINE TRANSMISSION
 ENC = 2.5L 4 Cyl Turbo Diesel Engine
 EPE = Engine - 2.5L Power Tech I-4 Cyl.
 ERH = 4.0L Power Tech I-6 Engine
 ENO = Engines - ALL 4/5 CYL Turbo Diesel
 ERO = Engines - All 4.0L 6 Cyl Gas
 EPO = ENGINES - ALL 2.5L 4 CYL GAS
 DCB = Transmission - 4-Speed Manual, T3340
 DDQ = 5-Speed Manual Transmission
 DDX = 5-Speed HD Manual Transmission
 DGD = 3-Spd. Automatic 30RH Transmission
 DGK = 4-Spd. Automatic 42RE Transmission
 DGS = 4-Speed Automatic AW4 Transmission
 DGT = 4-Spd. Automatic 46RE Transmission
 DGW = TRANSMISSION - 4-SPD. AUTOMATIC, 44RE
 DGX = 4-Speed Automatic Transmission
 DGY = No Description Available
 DGZ = Transmission- 4-Spd. Automatic, MT643
 DBB = ALL MANUAL TRANSMISSIONS
 DGO = TRANSMISSIONS - ALL AUTOMATIC

AR = use ase required - = Non illustrated part

**Gear Train AX 15 (DDQ)
Figure AX-415**



ITEM	PART NUMBER	QTY	LINE	SERIES	BODY	ENGINE	TRANS	TRIM	DESCRIPTION
		1	B, T			ER0	DDQ		52108048AB
		1	J, U			ENC	DDQ		52108121AB
7	83506086	1	J, U			ER0	DDQ		SNAP RING Stamped A (X=1.80mm/1.85mm). 52108047AB
		1	B, T			ER0	DDQ		Stamped A (X=1.80mm/1.85mm). 52108048AB
	83506087	1	J, U			ENC	DDQ		Stamped A (X=1.80mm/1.85mm). 52108121AB
		1	J, U			ER0	DDQ		Stamped B (X=1.85mm/1.90mm). 52108047AB
		1	B, T			ER0	DDQ		Stamped B (X=1.85mm/190mm). 52108048AB
	83506088	1	J, U			ENC	DDQ		Stamped B (X=1.85mm/1.90mm). 52108121AB
		1	J, U			ER0	DDQ		Stamped C (X=1.90mm/1.95mm). 52108047AB
		1	B, T			ER0	DDQ		Stamped C (X=1.90mm/1.95mm). 52108048AB
		1	J, U			ENC	DDQ		Stamped C (X=1.90mm/1.95mm). 52108121AB

CHEROKEE (XJ)

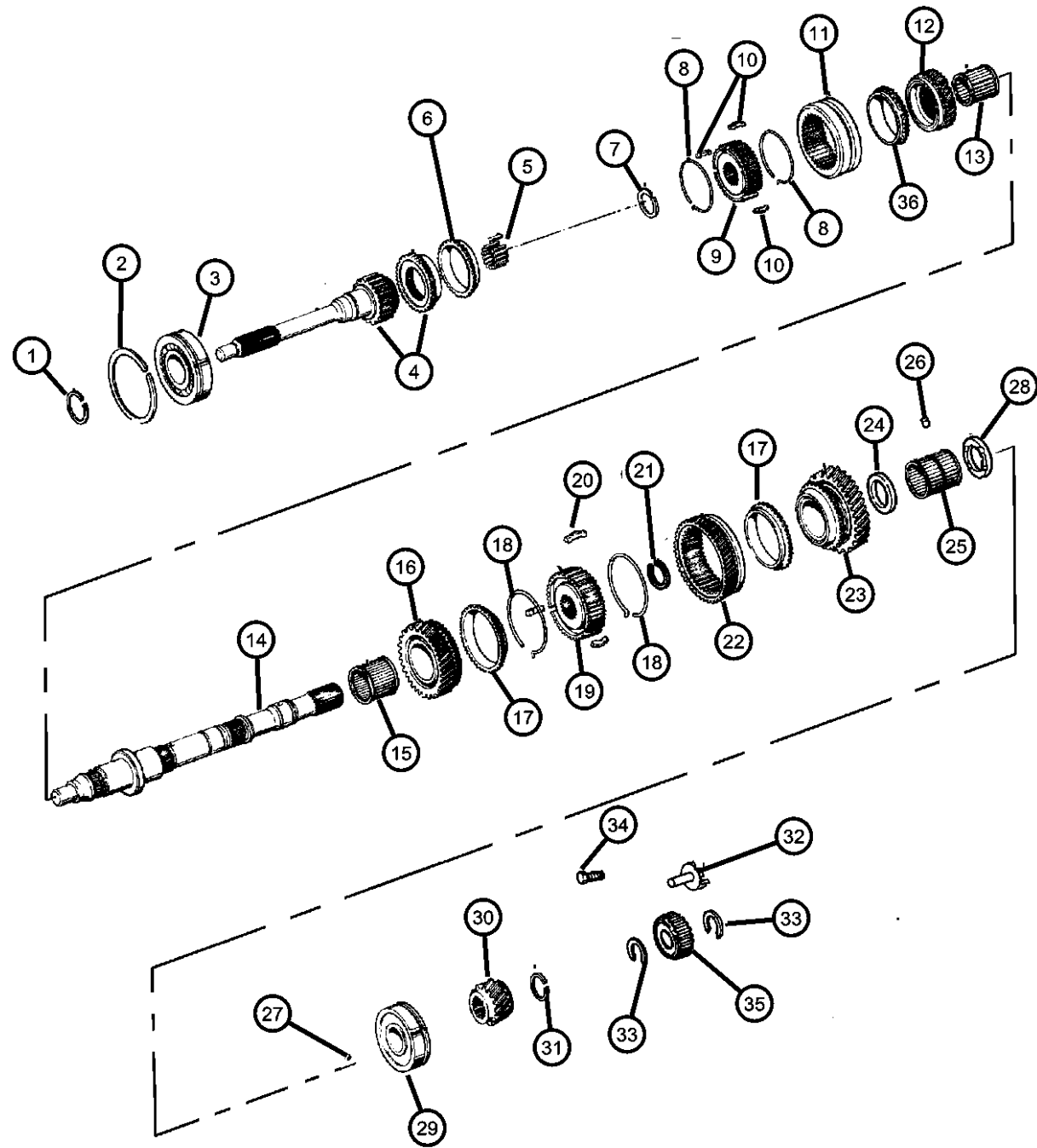
SERIES LINE
 L = LOWLINE B = JEEP - 2WD (RHD)
 U = JEEP - 4WD (RHD)
 T = LHD - (2WD)
 J = JEEP - - LHD (4WD)

BODY
 72 = 2DR (101.4 WB)
 74 = 4 DR (101.4 WB)

ENGINE TRANSMISSION
 ENC = 2.5L 4 Cyl Turbo Diesel Engine
 EPE = Engine - 2.5L Power Tech I-4 Cyl.
 ERH = 4.0L Power Tech I-6 Engine
 ENO = Engines - ALL 4/5 CYL Turbo Diesel
 ERO = Engines - All 4.0L 6 Cyl Gas
 EPO = ENGINES - ALL 2.5L 4 CYL GAS
 DCB = Transmission - 4-Speed Manual, T3340
 DDQ = 5-Speed Manual Transmission
 DDX = 5-Speed HD Manual Transmission
 DGD = 3-Spd. Automatic 30RH Transmission
 DGK = 4-Spd. Automatic 42RE Transmission
 DGS = 4-Speed Automatic AW4 Transmission
 DGT = 4-Spd. Automatic 46RE Transmission
 DGW = TRANSMISSION - 4-SPD. AUTOMATIC, 44RE
 DGX = 4-Speed Automatic Transmission
 DGY = No Description Available
 DGZ = Transmission- 4-Spd. Automatic, MT643
 DBB = ALL MANUAL TRANSMISSIONS
 DGO = TRANSMISSIONS - ALL AUTOMATIC

AR = use ase required - = Non illustrated part

**Gear Train AX 15 (DDQ)
Figure AX-415**



ITEM	PART NUMBER	QTY	LINE	SERIES	BODY	ENGINE	TRANS	TRIM	DESCRIPTION
	83506089	1	J, U			ER0	DDQ		Stamped D (X=1.95mm/2.00mm). 52108047AB
		1	B, T			ER0	DDQ		Stamped D (X=1.95mm/2.00mm). 52108048AB
		1	J, U			ENC	DDQ		Stamped D (X=1.95mm/2.00mm). 52108121AB
	83506090	1	J, U			ER0	DDQ		Stamped E (X=2.00mm/2.05mm). 52108047AB
		1	B, T			ER0	DDQ		Stamped E (X=2.00mm/2.05mm). 52108048AB
		1	J, U			ENC	DDQ		Stamped E (X=2.00mm/2.05mm). 52108121AB
	83506091	1	J, U			ER0	DDQ		Stamped F (X=2.05mm/2.10mm). 52108047AB
		1	B, T			ER0	DDQ		Stamped F (X=2.05mm/2.10mm). 52108048AB
		1	J, U			ENC	DDQ		Stamped F (X=2.05mm/2.10mm). 52108121AB
	83506092	1	J, U			ER0	DDQ		Stamped G (X=2.10mm/2.15mm). 52108047AB

CHEROKEE (XJ)

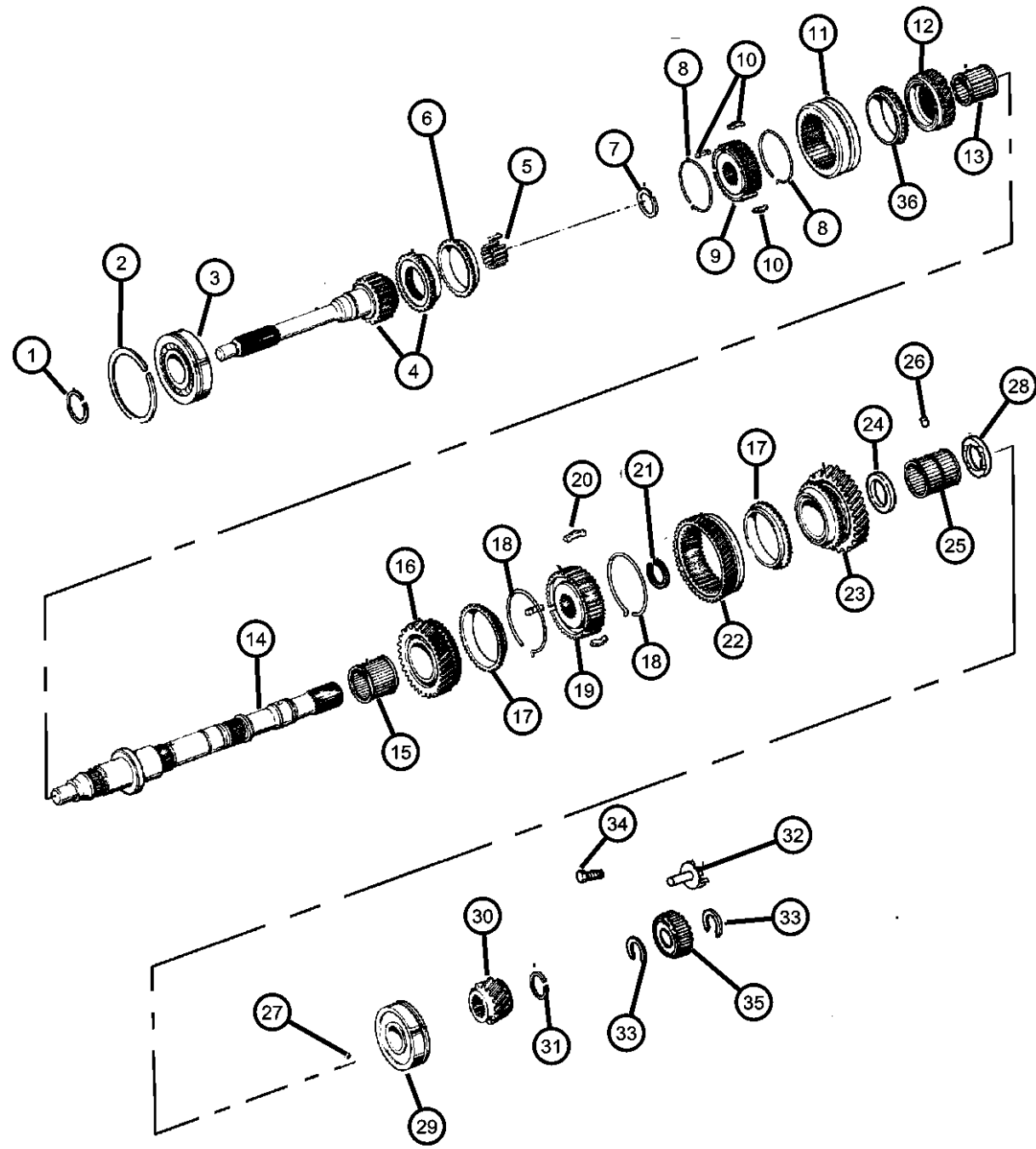
SERIES LINE
 L = LOWLINE B = JEEP - 2WD (RHD)
 U = JEEP - 4WD (RHD)
 T = LHD - (2WD)
 J = JEEP - - LHD (4WD)

BODY
 72 = 2DR (101.4 WB)
 74 = 4 DR (101.4 WB)

ENGINE TRANSMISSION
 ENC = 2.5L 4 Cyl Turbo Diesel Engine
 EPE = Engine - 2.5L Power Tech I-4 Cyl.
 ERH = 4.0L Power Tech I-6 Engine
 ENO = Engines - ALL 4/5 CYL Turbo Diesel
 ERO = Engines - All 4.0L 6 Cyl Gas
 EPO = ENGINES - ALL 2.5L 4 CYL GAS
 DCB = Transmission - 4-Speed Manual, T3340
 DDQ = 5-Speed Manual Transmission
 DDX = 5-Speed HD Manual Transmission
 DGD = 3-Spd. Automatic 30RH Transmission
 DGK = 4-Spd. Automatic 42RE Transmission
 DGS = 4-Speed Automatic AW4 Transmission
 DGT = 4-Spd. Automatic 46RE Transmission
 DGW = TRANSMISSION - 4-SPD. AUTOMATIC, 44RE
 DGX = 4-Speed Automatic Transmission
 DGY = No Description Available
 DGZ = Transmission- 4-Spd. Automatic, MT643
 DBB = ALL MANUAL TRANSMISSIONS
 DGO = TRANSMISSIONS - ALL AUTOMATIC

AR = use ase required - = Non illustrated part

**Gear Train AX 15 (DDQ)
Figure AX-415**



ITEM	PART NUMBER	QTY	LINE	SERIES	BODY	ENGINE	TRANS	TRIM	DESCRIPTION
		1	B, T			ER0	DDQ		Stamped G (X=2.10mm/2.15mm). 52108048AB
		1	J, U			ENC	DDQ		Stamped G (X=2.10mm/2.15mm).52108121AB
8	83506255	2	J, U			ER0	DDQ		52108047AB
		2	B, T			ER0			52108048AB
		2	J, U			ENC			52108121AB
9	83506248	1	J, U			ER0	DDQ		HUB, Synchronizer 52108047AB
		1	B, T			ER0	DDQ		52108048AB
		1	J, U			ENC	DDQ		52108121AB
10	83506251	3	J, U			ER0	DDQ		KEY, Synchronizer 52108047AB
		3	B, T			ER0			52108048AB
		3	J, U			ENC			52108121AB
11	04897050AA	1	J, U			ER0	DDQ		SLEEVE, Synchronizer 52108047AB
		1	B, T			ER0	DDQ		52108048AB
		1	J, U			ENC	DDQ		52108121AB
12	04897047AA	1	J, U			ER0	DDQ		GEAR, Third 52108047AB
		1	B, T			ER0	DDQ		52108048AB

CHEROKEE (XJ)

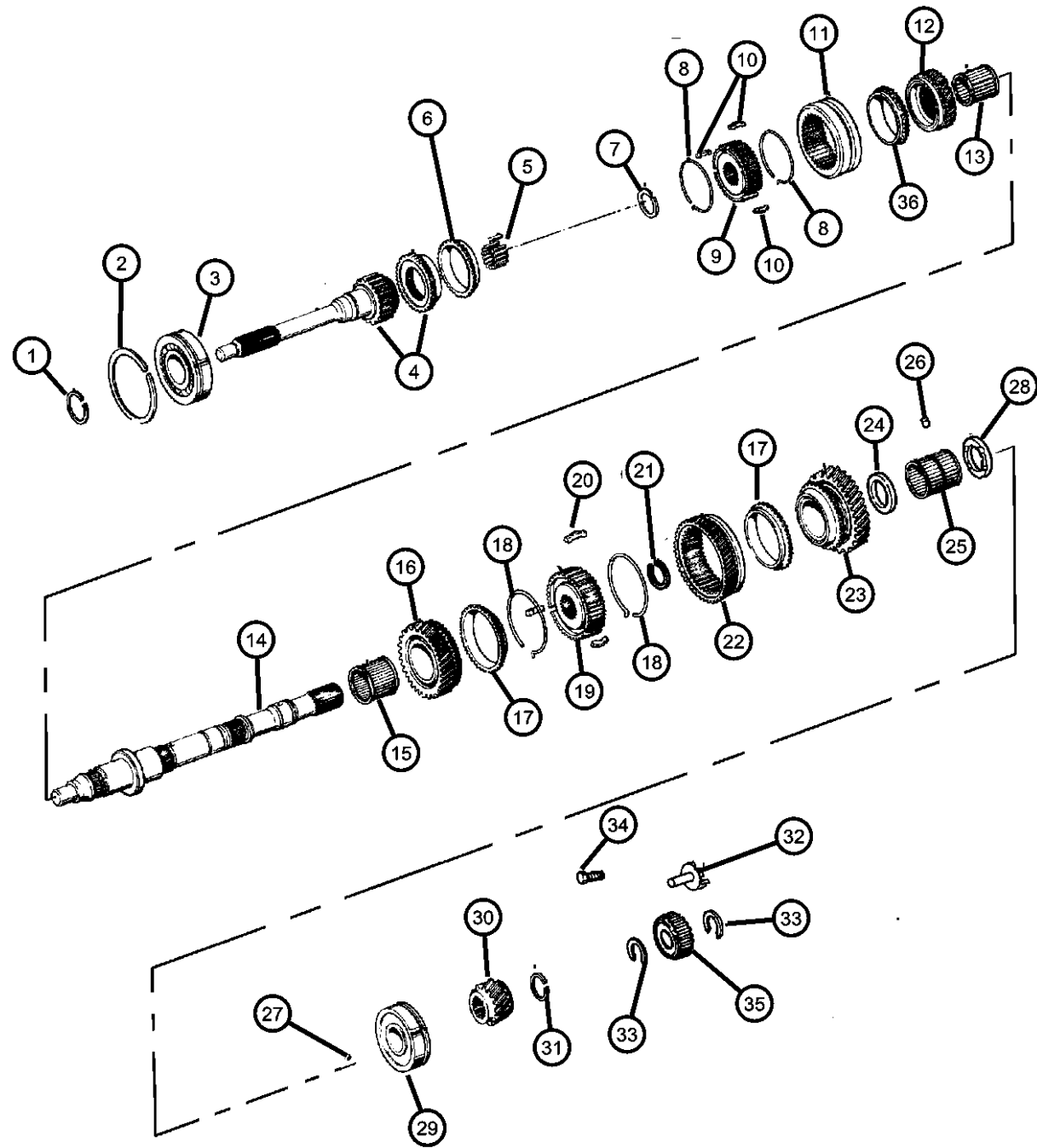
SERIES LINE
 L = LOWLINE B = JEEP - 2WD (RHD)
 U = JEEP - 4WD (RHD)
 T = LHD - (2WD)
 J = JEEP - - LHD (4WD)

BODY
 72 = 2DR (101.4 WB)
 74 = 4 DR (101.4 WB)

ENGINE TRANSMISSION
 ENC = 2.5L 4 Cyl Turbo Diesel Engine DCB = Transmission - 4-Speed Manual,T3340
 EPE = Engine - 2.5L Power Tech I-4 Cyl. DDQ = 5-Speed Manual Transmission
 ERH = 4.0L Power Tech I-6 Engine DDG = 5-Speed HD Manual Transmission
 ENO = Engines - ALL 4/5 CYL Turbo Diesel DGD = 3-Spd. Automatic 30RH Transmission
 ERO = Engines - All 4.0L 6 Cyl Gas DGK = 4-Spd. Automatic 42RE Transmission
 EPO = ENGINES - ALL 2.5L 4 CYL GAS DGS = 4-Speed Automatic AW4 Transmission
 DGT = 4-Spd. Automatic 46RE Transmission
 DGW = TRANSMISSION - 4-SPD. AUTOMATIC,44RE
 DGX = 4-Speed Automatic Transmission
 DGY = No Description Available
 DGZ = Transmission- 4-Spd. Automatic,MT643
 DBB = ALL MANUAL TRANSMISSIONS
 DGO = TRANSMISSIONS - ALL AUTOMATIC

AR = use ase required - = Non illustrated part

**Gear Train AX 15 (DDQ)
Figure AX-415**



ITEM	PART NUMBER	QTY	LINE	SERIES	BODY	ENGINE	TRANS	TRIM	DESCRIPTION
13		1	J, U			ENC	DDQ		52108121AB NEEDLE BEARING, Third Gear
	83506077	1	J, U			ER0	DDQ		52108047AB
		1	B, T			ER0	DDQ		52108048AB
		1	J, U			ENC	DDQ		52108121AB
14									SHAFT, Output
	04874288	1	B, T			ER0	DDQ		52108048AB
	83506243	1	J, U			ER0	DDQ		52108047AB
		1	J, U			ENC	DDQ		52108121AB
15									NEEDLE BEARING, Second Gear
	83506076	1	J, U			ER0	DDQ		52108047AB
		1	B, T			ER0	DDQ		52108048AB
		1	J, U			ENC	DDQ		52108121AB
16									GEAR, Second
	04636369	1	J, U			ER0	DDQ		52108047AB
		1	B, T			ER0	DDQ		52108048AB
		1	J, U			ENC	DDQ		52108121AB
17									STOP RING, Synchronizer
	83506252	2	J, U			ER0	DDQ		52108047AB
		2	B, T			ER0			52108048AB
		2	J, U			ENC			52108121AB
18									SPRING, Synchronizer Key

CHEROKEE (XJ)

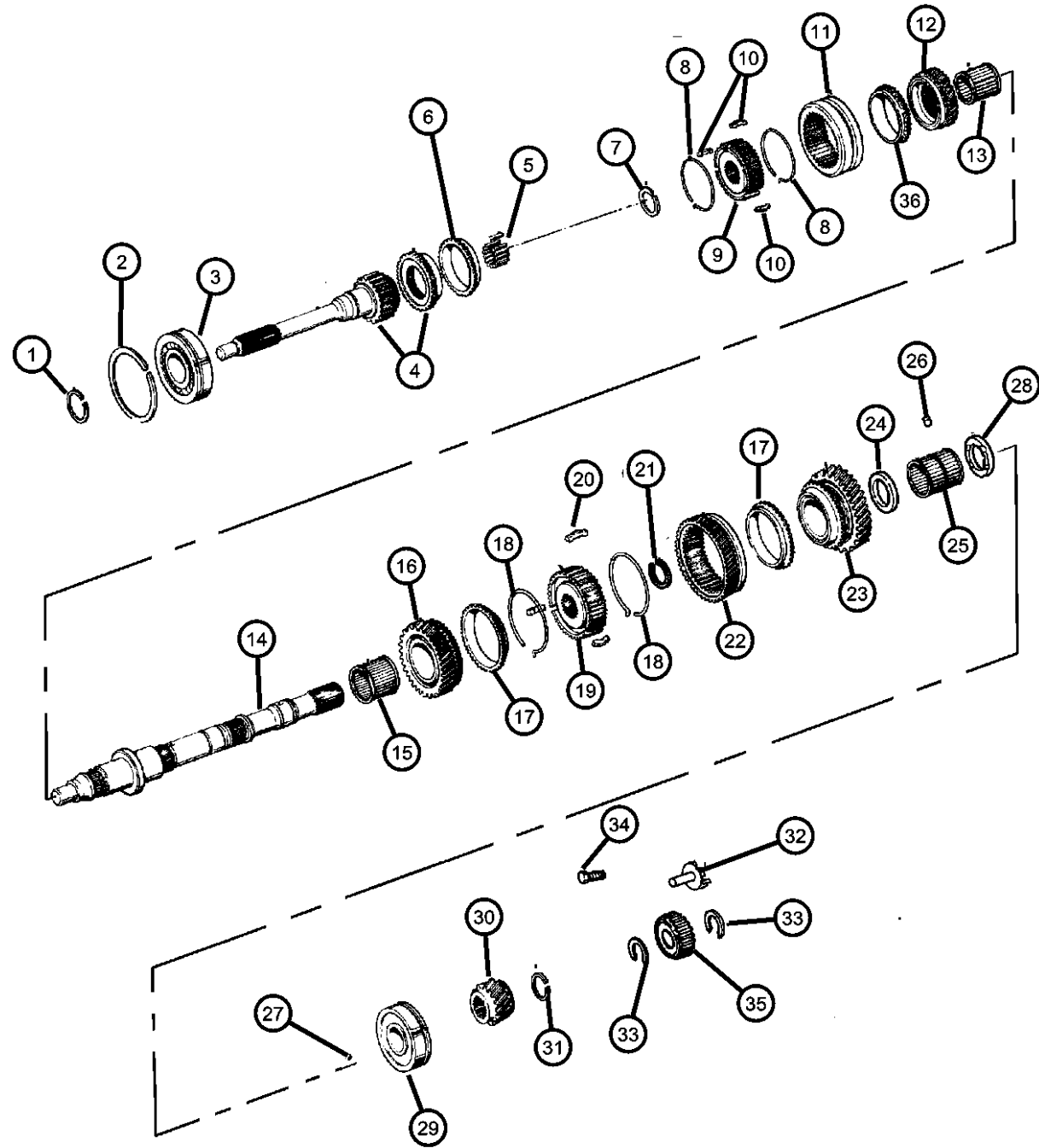
SERIES LINE
 L = LOWLINE B = JEEP - 2WD (RHD)
 U = JEEP - 4WD (RHD)
 T = LHD - (2WD)
 J = JEEP - - LHD (4WD)

BODY
 72 = 2DR (101.4 WB)
 74 = 4 DR (101.4 WB)

ENGINE TRANSMISSION
 ENC = 2.5L 4 Cyl Turbo Diesel Engine
 EPE = Engine - 2.5L Power Tech I-4 Cyl.
 ERH = 4.0L Power Tech I-6 Engine
 ENO = Engines - ALL 4/5 CYL Turbo Diesel
 ERO = Engines - All 4.0L 6 Cyl Gas
 EPO = ENGINES - ALL 2.5L 4 CYL GAS
 DCB = Transmission - 4-Speed Manual, T3340
 DDQ = 5-Speed Manual Transmission
 DDX = 5-Speed HD Manual Transmission
 DGD = 3-Spd. Automatic 30RH Transmission
 DGK = 4-Spd. Automatic 42RE Transmission
 DGS = 4-Speed Automatic AW4 Transmission
 DGT = 4-Spd. Automatic 46RE Transmission
 DGW = TRANSMISSION - 4-SPD. AUTOMATIC, 44RE
 DGX = 4-Speed Automatic Transmission
 DGY = No Description Available
 DGZ = Transmission- 4-Spd. Automatic, MT643
 DBB = ALL MANUAL TRANSMISSIONS
 DGO = TRANSMISSIONS - ALL AUTOMATIC

AR = use ase required - = Non illustrated part

**Gear Train AX 15 (DDQ)
Figure AX-415**



ITEM	PART NUMBER	QTY	LINE	SERIES	BODY	ENGINE	TRANS	TRIM	DESCRIPTION
	83506254	2	J, U			ER0	DDQ		52108047AB
		2	B, T			ER0			52108048AB
		2	J, U			ENC			52108121AB
19								HUB, Synchronizer	
	83506247	1	J, U			ER0	DDQ		52108047AB
		1	B, T			ER0	DDQ		52108048AB
		1	J, U			ENC	DDQ		52108121AB
20								KEY, Synchronizer	
	83506250	3	J, U			ER0	DDQ		52108047AB
		3	B, T			ER0			52108048AB
		3	J, U			ENC			52108121AB
21								SNAP RING	
	83506093	1	J, U			ER0	DDQ		Stamped B (X=2.35mm/2.40mm). 52108047AB
		1	B, T			ER0	DDQ		Stamped B (X=2.35mm/2.40mm). 52108048AB
	83506094	1	J, U			ENC	DDQ		Stamped B (X=2.35mm/2.40mm).52108121AB
		1	J, U			ER0	DDQ		Stamped C (X=2.40mm/2.45mm). 52108047AB
		1	B, T			ER0	DDQ		Stamped C (X=2.40mm/2.45mm). 52108048AB

CHEROKEE (XJ)

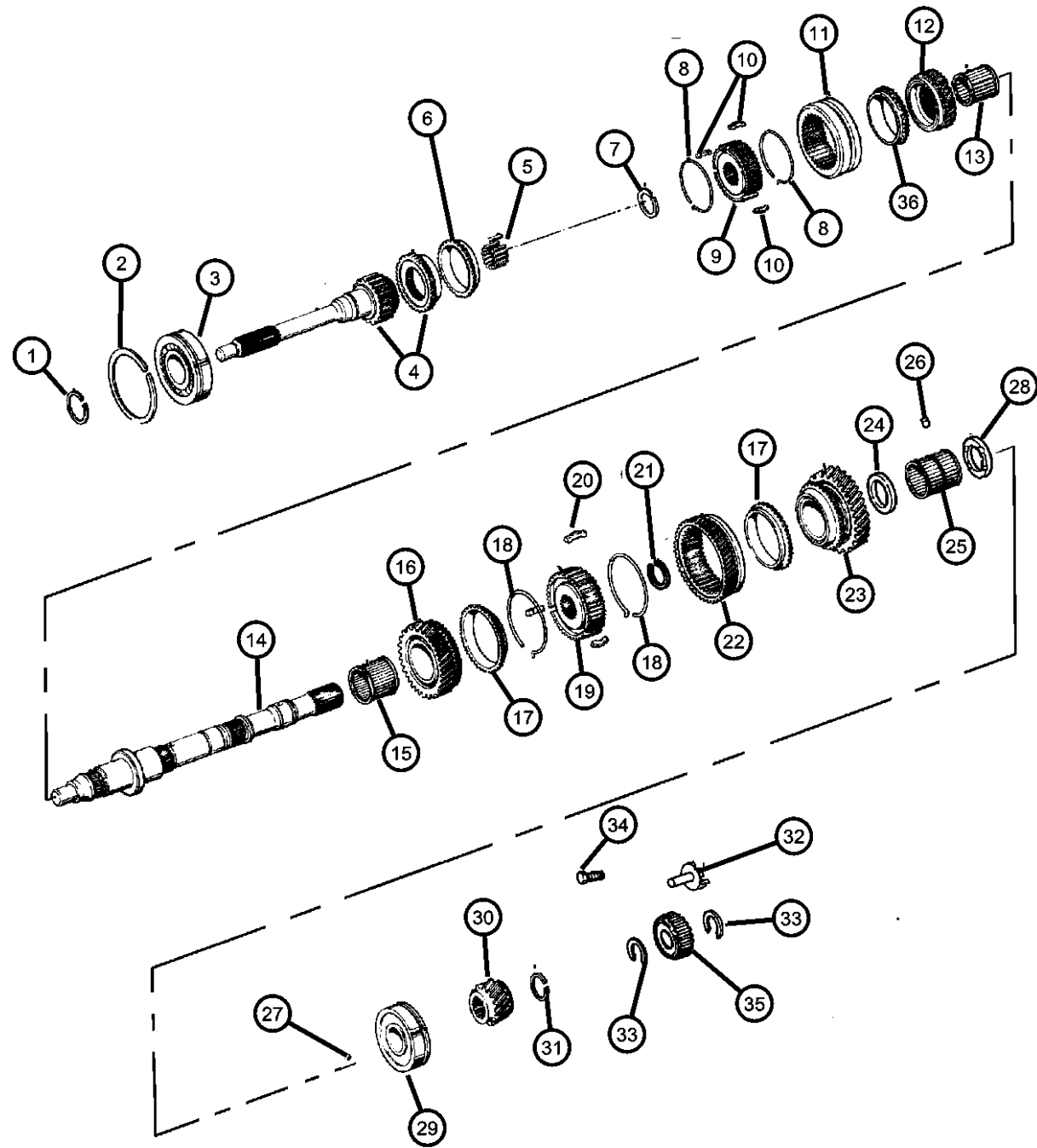
SERIES LINE
 L = LOWLINE B = JEEP - 2WD (RHD)
 U = JEEP - 4WD (RHD)
 T = LHD - (2WD)
 J = JEEP - - LHD (4WD)

BODY
 72 = 2DR (101.4 WB)
 74 = 4 DR (101.4 WB)

ENGINE TRANSMISSION
 ENC = 2.5L 4 Cyl Turbo Diesel Engine
 EPE = Engine - 2.5L Power Tech I-4 Cyl.
 ERH = 4.0L Power Tech I-6 Engine
 ENO = Engines - ALL 4/5 CYL Turbo Diesel
 ERO = Engines - All 4.0L 6 Cyl Gas
 EPO = ENGINES - ALL 2.5L 4 CYL GAS
 DCB = Transmission - 4-Speed Manual, T3340
 DDQ = 5-Speed Manual Transmission
 DDX = 5-Speed HD Manual Transmission
 DGD = 3-Spd. Automatic 30RH Transmission
 DGK = 4-Spd. Automatic 42RE Transmission
 DGS = 4-Speed Automatic AW4 Transmission
 DGT = 4-Spd. Automatic 46RE Transmission
 DGW = TRANSMISSION - 4-SPD. AUTOMATIC, 44RE
 DGX = 4-Speed Automatic Transmission
 DGY = No Description Available
 DGZ = Transmission- 4-Spd. Automatic, MT643
 DBB = ALL MANUAL TRANSMISSIONS
 DGO = TRANSMISSIONS - ALL AUTOMATIC

AR = use ase required - = Non illustrated part

**Gear Train AX 15 (DDQ)
Figure AX-415**



ITEM	PART NUMBER	QTY	LINE	SERIES	BODY	ENGINE	TRANS	TRIM	DESCRIPTION
		1	J, U			ENC	DDQ		Stamped C (X=2.40mm/2.45mm). 52108121AB
	83506095	1	J, U			ER0	DDQ		Stamped D (X=2.45mm/2.50mm). 52108047AB
		1	B, T			ER0	DDQ		Stamped D (X=2.45mm/2.50mm). 52108048AB
		1	J, U			ENC	DDQ		Stamped D (X=2.45mm/2.50mm). 52108121AB
	83506096	1	J, U			ER0	DDQ		Stamped E (X=2.50mm/2.55mm). 52108047AB
		1	B, T			ER0	DDQ		Stamped E (X=2.50mm/2.55mm). 52108048AB
		1	J, U			ENC	DDQ		Stamped E (X=2.45mm/2.50mm). 52108121AB,
	83506097	1	J, U			ER0	DDQ		Stamped F (X=2.55mm/2.60mm). 52108047AB
		1	B, T			ER0	DDQ		Stamped F (X=2.55mm/2.60mm). 52108048AB
		1	J, U			ENC	DDQ		Stamped F (X=2.55mm/2.60mm). 52108121AB

CHEROKEE (XJ)

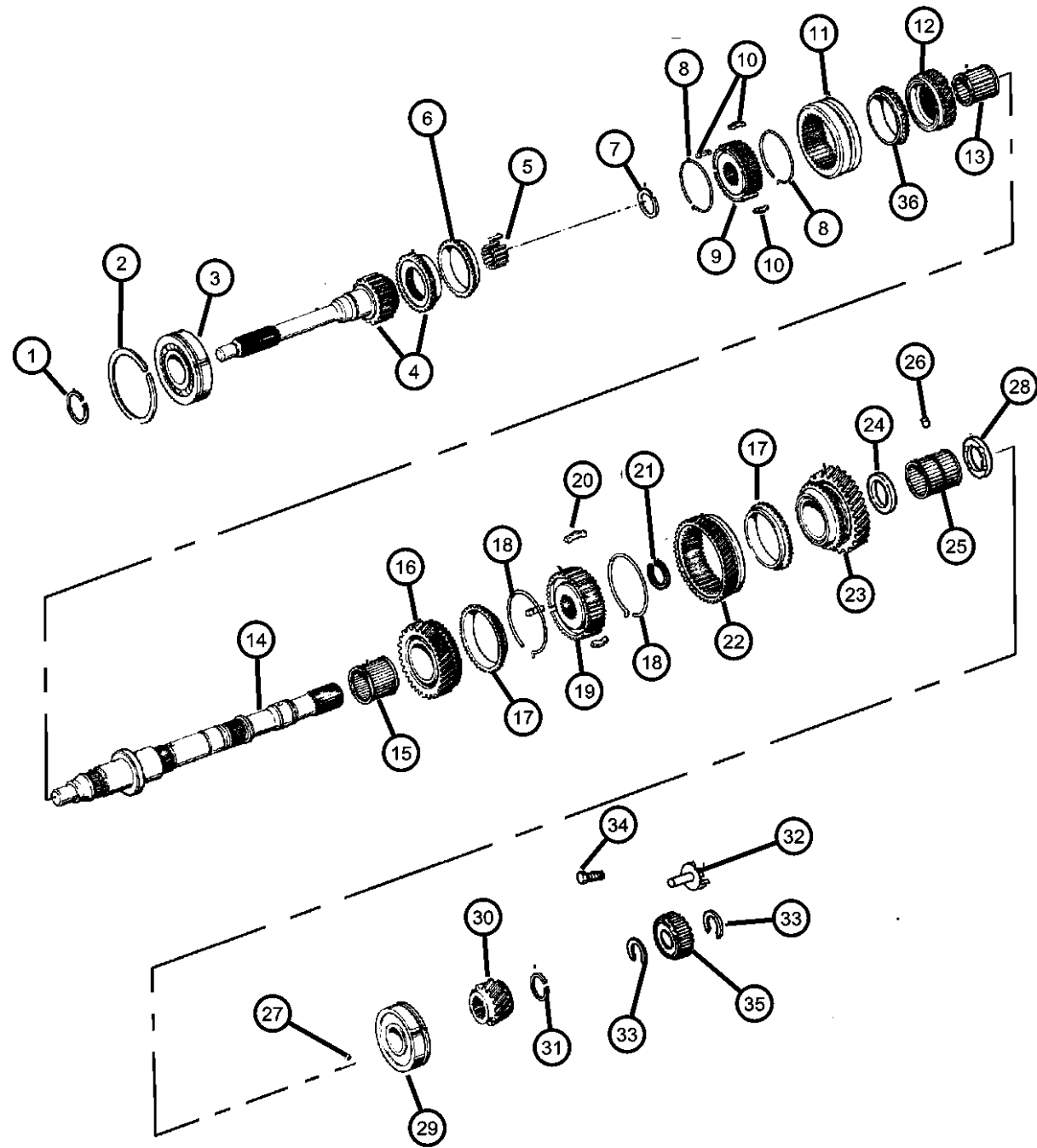
SERIES LINE
 L = LOWLINE B = JEEP - 2WD (RHD)
 U = JEEP - 4WD (RHD)
 T = LHD - (2WD)
 J = JEEP - - LHD (4WD)

BODY
 72 = 2DR (101.4 WB)
 74 = 4 DR (101.4 WB)

ENGINE TRANSMISSION
 ENC = 2.5L 4 Cyl Turbo Diesel Engine
 EPE = Engine - 2.5L Power Tech I-4 Cyl.
 ERH = 4.0L Power Tech I-6 Engine
 ENO = Engines - ALL 4/5 CYL Turbo Diesel
 ERO = Engines - All 4.0L 6 Cyl GAS
 EPO = ENGINES - ALL 2.5L 4 CYL GAS
 DCB = Transmission - 4-Speed Manual, T3340
 DDQ = 5-Speed Manual Transmission
 DDX = 5-Speed HD Manual Transmission
 DGD = 3-Spd. Automatic 30RH Transmission
 DGK = 4-Spd. Automatic 42RE Transmission
 DGS = 4-Speed Automatic AW4 Transmission
 DGT = 4-Spd. Automatic 46RE Transmission
 DGW = TRANSMISSION - 4-SPD. AUTOMATIC, 44RE
 DGX = 4-Speed Automatic Transmission
 DGY = No Description Available
 DGZ = Transmission- 4-Spd. Automatic, MT643
 DBB = ALL MANUAL TRANSMISSIONS
 DGO = TRANSMISSIONS - ALL AUTOMATIC

AR = use ase required - = Non illustrated part

**Gear Train AX 15 (DDQ)
Figure AX-415**



ITEM	PART NUMBER	QTY	LINE	SERIES	BODY	ENGINE	TRANS	TRIM	DESCRIPTION
	83506098	1	J, U			ER0	DDQ		Stamped G (X=2.60mm/2.65mm). 52108047AB
		1	B, T			ER0	DDQ		Stamped G (X=2.60mm/2.65mm). 52108048AB
		1	J, U			ENC	DDQ		Stamped F (X=2.60mm/2.65mm). 52108121AB
22									GEAR, Reverse
	05252082	1	J, U			ER0	DDQ		52108047AB
		1	B, T			ER0	DDQ		52108048AB
		1	J, U			ENC	DDQ		52108121AB
23									GEAR, First
	04636368	1	J, U			ER0	DDQ		52108047AB
		1	B, T			ER0	DDQ		52108048AB
	04796002	1	J, U			ENC	DDQ		52108121AB
24									SPACER, Output Shaft
	83506280	1	J, U			ER0	DDQ		521058047AB
		1	B, T			ER0	DDQ		52108048AB
		1	J, U			ENC	DDQ		52108121AB
25									NEEDLE BEARING, First Gear
	83506075	1	J, U			ER0	DDQ		52108047AB
		1	B, T			ER0	DDQ		52108048AB
		1	J, U			ENC	DDQ		52108121AB

CHEROKEE (XJ)

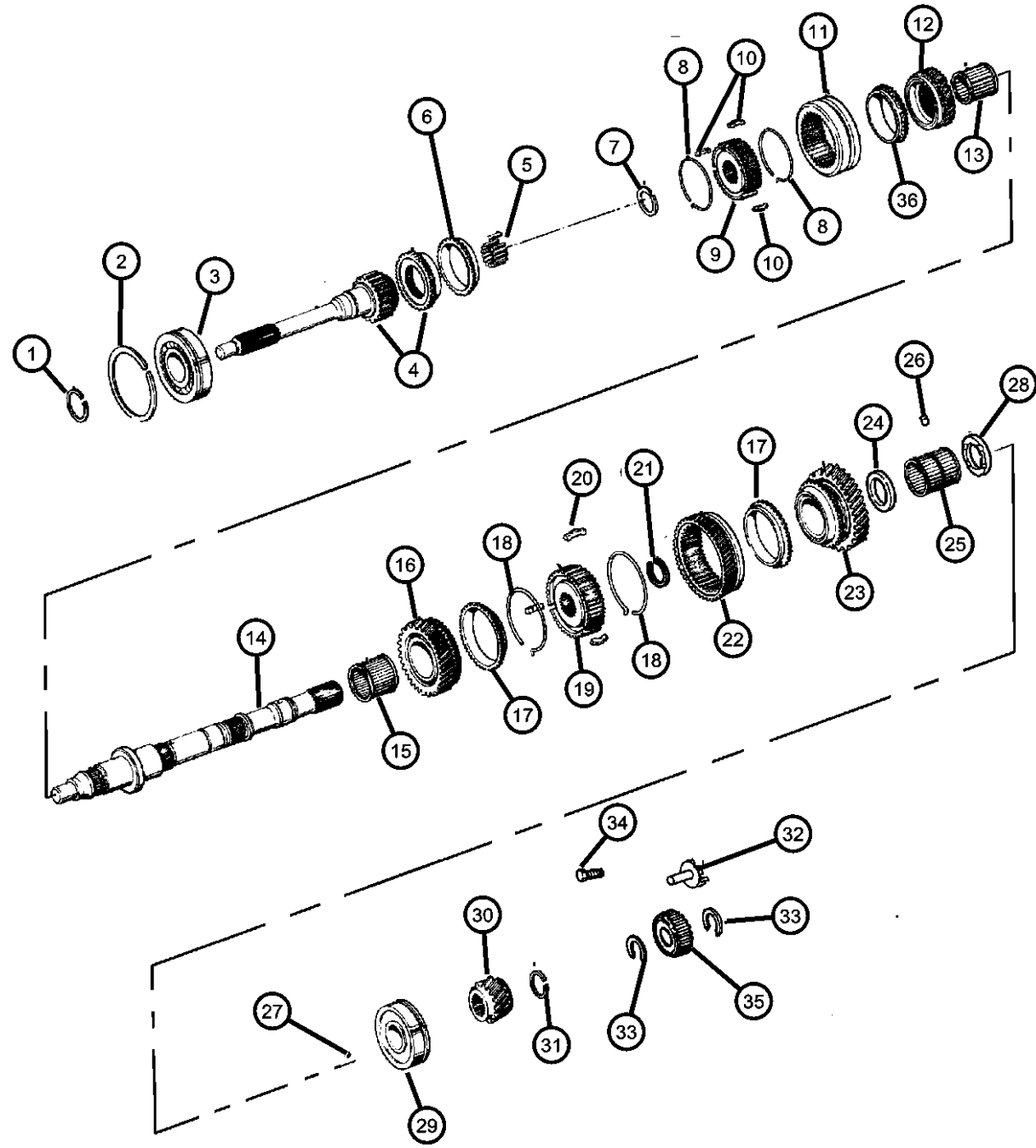
SERIES LINE
 L = LOWLINE B = JEEP - 2WD (RHD)
 U = JEEP - 4WD (RHD)
 T = LHD - (2WD)
 J = JEEP - - LHD (4WD)

BODY
 72 = 2DR (101.4 WB)
 74 = 4 DR (101.4 WB)

ENGINE TRANSMISSION
 ENC = 2.5L 4 Cyl Turbo Diesel Engine
 EPE = Engine - 2.5L Power Tech I-4 Cyl.
 ERH = 4.0L Power Tech I-6 Engine
 ENO = Engines - ALL 4/5 CYL Turbo Diesel
 ERO = Engines - All 4.0L 6 Cyl Gas
 EPO = ENGINES - ALL 2.5L 4 CYL GAS
 DCB = Transmission - 4-Speed Manual, T3340
 DDQ = 5-Speed Manual Transmission
 DDX = 5-Speed HD Manual Transmission
 DGD = 3-Spd. Automatic 30RH Transmission
 DKG = 4-Spd. Automatic 42RE Transmission
 DGS = 4-Speed Automatic AW4 Transmission
 DGT = 4-Spd. Automatic 46RE Transmission
 DGW = TRANSMISSION - 4-SPD. AUTOMATIC, 44RE
 DGX = 4-Speed Automatic Transmission
 DGY = No Description Available
 DGZ = Transmission- 4-Spd. Automatic, MT643
 DBB = ALL MANUAL TRANSMISSIONS
 DGO = TRANSMISSIONS - ALL AUTOMATIC

AR = use ase required - = Non illustrated part

**Gear Train AX 15 (DDQ)
Figure AX-415**



ITEM	PART NUMBER	QTY	LINE	SERIES	BODY	ENGINE	TRANS	TRIM	DESCRIPTION
26	83506008	1	J, U			ER0	DDQ		PIN, Mainshaft 52108047AB
			B, T			ER0	DDQ		52108048AB
			J, U			ENC	DDQ		52108121AB
27	83500573	1	J, U			ER0	DDQ		BALL, Reverse 52108047AB
			B, T			ER0	DDQ		52108048AB
			J, U			ENC	DDQ		52108121AB
28	83506246	1	J, U			ER0	DDQ		THRUST WASHER, First Gear 52108047AB
			B, T			ER0	DDQ		52108048AB
			J, U			ENC	DDQ		52108121AB
29	83506073	1	J, U			ER0	DDQ		BEARING, Output Shaft 52108047AB
			B, T			ER0	DDQ		52108048AB
			J, U			ENC	DDQ		52108121AB
30	05252083	1	J, U			ER0	DDQ		GEAR, Fifth 52108047AB
			B, T			ER0	DDQ		52108048AB
			J, U			ENC	DDQ		52108121AB
31								SNAP RING	

CHEROKEE (XJ)

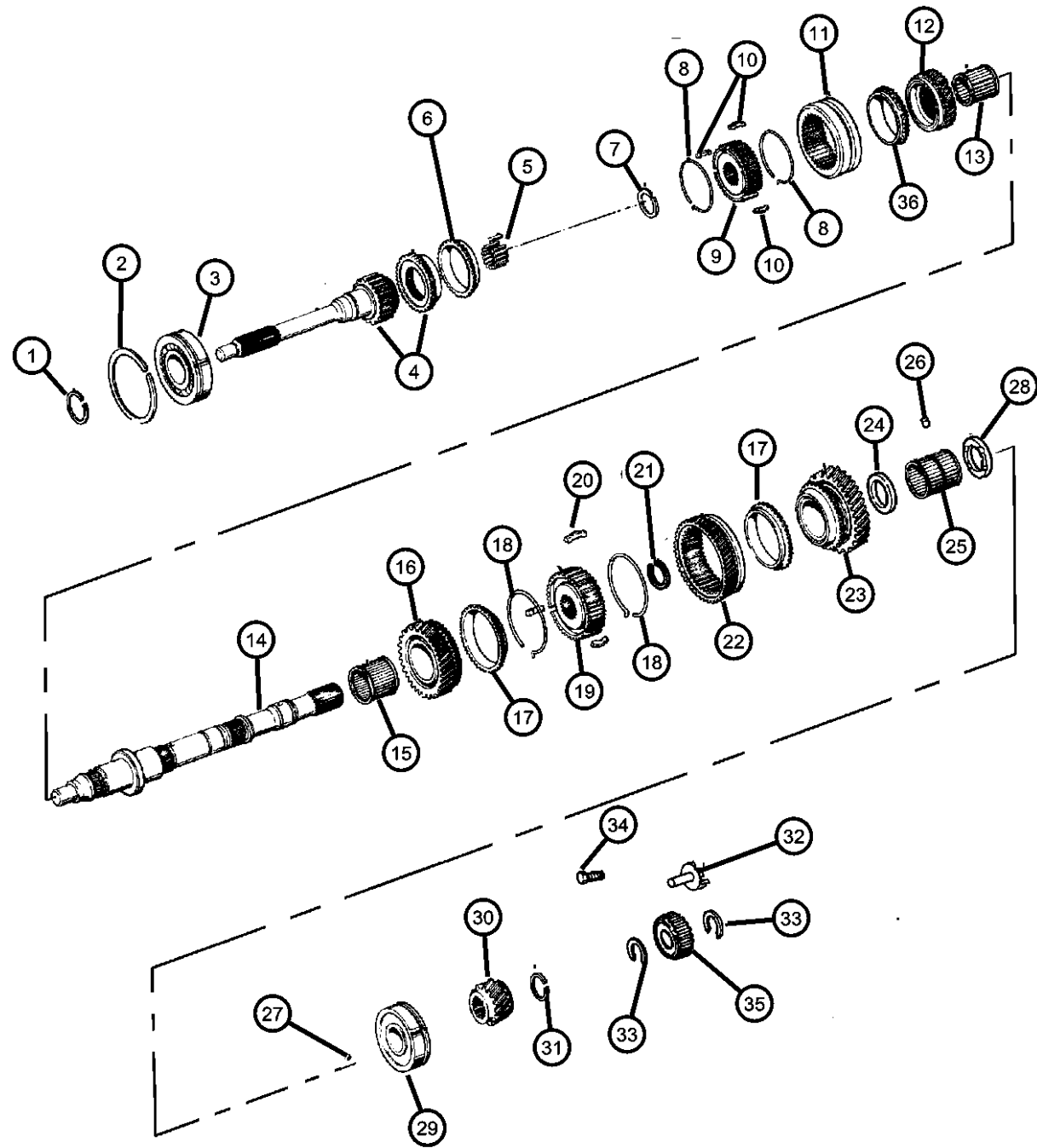
SERIES LINE
 L = LOWLINE B = JEEP - 2WD (RHD)
 U = JEEP - 4WD (RHD)
 T = LHD - (2WD)
 J = JEEP - - LHD (4WD)

BODY
 72 = 2DR (101.4 WB)
 74 = 4 DR (101.4 WB)

ENGINE TRANSMISSION
 ENC = 2.5L 4 Cyl Turbo Diesel Engine
 EPE = Engine - 2.5L Power Tech I-4 Cyl.
 ERH = 4.0L Power Tech I-6 Engine
 ENO = Engines - ALL 4/5 CYL Turbo Diesel
 ERO = Engines - All 4.0L 6 Cyl Gas
 EPO = ENGINES - ALL 2.5L 4 CYL GAS
 DCB = Transmission - 4-Speed Manual, T3340
 DDQ = 5-Speed Manual Transmission
 DDX = 5-Speed HD Manual Transmission
 DGD = 3-Spd. Automatic 30RH Transmission
 DGK = 4-Spd. Automatic 42RE Transmission
 DGS = 4-Speed Automatic AW4 Transmission
 DGT = 4-Spd. Automatic 46RE Transmission
 DGW = TRANSMISSION - 4-SPD. AUTOMATIC, 44RE
 DGX = 4-Speed Automatic Transmission
 DGY = No Description Available
 DGZ = Transmission- 4-Spd. Automatic, MT643
 DBB = ALL MANUAL TRANSMISSIONS
 DGO = TRANSMISSIONS - ALL AUTOMATIC

AR = use ase required - = Non illustrated part

**Gear Train AX 15 (DDQ)
Figure AX-415**



ITEM	PART NUMBER	QTY	LINE	SERIES	BODY	ENGINE	TRANS	TRIM	DESCRIPTION
	83506268	1	J, U			ER0	DDQ		Stamped A (X=2.75mm/2.80mm). 52108047AB
		1	B, T			ER0	DDQ		Stamped A (X=2.75mm/2.80mm). 52108048AB
		1	J, U			ENC	DDQ		Stamped A (X=2.75mm/2.80mm). 52108121AB
	83506269	1	J, U			ER0	DDQ		Stamped B (X=2.80mm/2.85mm). 52108047AB
		1	B, T			ER0	DDQ		Stamped B (X=2.80mm/2.85mm). 52108048AB
		1	J, U			ENC	DDQ		Stamped B (X=2.80mm/2.85mm). 52108121AB
	83506270	1	J, U			ER0	DDQ		Stamped C (X=2.85mm/2.90mm). 52108047AB
		1	B, T			ER0	DDQ		Stamped C (X=2.85mm/2.90mm). 52108048AB
		1	J, U			ENC	DDQ		Stamped C (X=2.85mm/2.90mm). 52108121AB
	83506271	1	J, U			ER0	DDQ		Stamped D (X=2.90mm/2.95mm). 52108047AB

CHEROKEE (XJ)

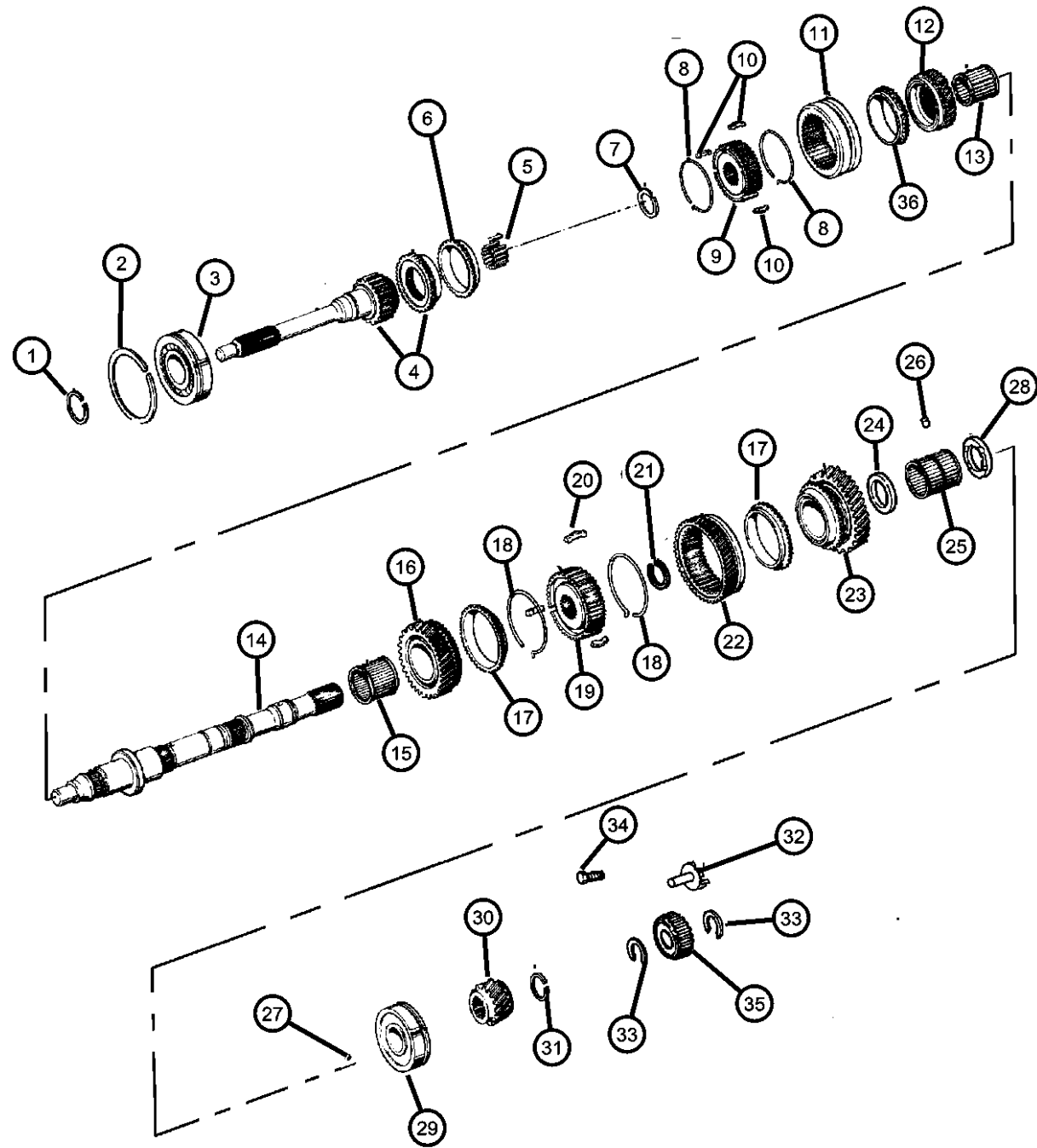
SERIES LINE
 L = LOWLINE B = JEEP - 2WD (RHD)
 U = JEEP - 4WD (RHD)
 T = LHD - (2WD)
 J = JEEP - - LHD (4WD)

BODY
 72 = 2DR (101.4 WB)
 74 = 4 DR (101.4 WB)

ENGINE TRANSMISSION
 ENC = 2.5L 4 Cyl Turbo Diesel Engine
 EPE = Engine - 2.5L Power Tech I-4 Cyl.
 ERH = 4.0L Power Tech I-6 Engine
 ENO = Engines - ALL 4/5 CYL Turbo Diesel
 ERO = Engines - All 4.0L 6 Cyl GAS
 EPO = ENGINES - ALL 2.5L 4 CYL GAS
 DCB = Transmission - 4-Speed Manual, T3340
 DDQ = 5-Speed Manual Transmission
 DDX = 5-Speed HD Manual Transmission
 DGD = 3-Spd. Automatic 30RH Transmission
 DGK = 4-Spd. Automatic 42RE Transmission
 DGS = 4-Speed Automatic AW4 Transmission
 DGT = 4-Spd. Automatic 46RE Transmission
 DGW = TRANSMISSION - 4-SPD. AUTOMATIC, 44RE
 DGX = 4-Speed Automatic Transmission
 DGY = No Description Available
 DGZ = Transmission- 4-Spd. Automatic, MT643
 DBB = ALL MANUAL TRANSMISSIONS
 DGO = TRANSMISSIONS - ALL AUTOMATIC

AR = use ase required - = Non illustrated part

**Gear Train AX 15 (DDQ)
Figure AX-415**



ITEM	PART NUMBER	QTY	LINE	SERIES	BODY	ENGINE	TRANS	TRIM	DESCRIPTION
		1	B, T			ER0	DDQ		Stamped D (X=2.90mm/2.95mm). 52108048AB
		1	J, U			ENC	DDQ		Stamped D (X=2.90mm/2.95mm). 52108121AB
	83506272	1	J, U			ER0	DDQ		Stamped E (X=2.95mm/3.00mm). 52108047AB
		1	B, T			ER0	DDQ		Stamped E (X+2.95mm/3.00mm). 52108048AB
		1	J, U			ENC	DDQ		Stamped E (X=2.95mm/3.00mm). 52108121AB
	83506273	1	J, U			ER0	DDQ		Stamped F (X=3.00mm/3.05mm). 52108047AB
		1	B, T			ER0	DDQ		Stamped F (X=3.00mm/3.05mm). 52108048AB
		1	J, U			ENC	DDQ		Stamped F (X=3.00mm/3.05mm). 52108121AB
	83506274	1	J, U			ER0	DDQ		Stamped G (X=3.05mm/3.10mm). 52108047AB
		1	B, T			ER0	DDQ		Stamped G (X=3.05mm/3.10mm). 52108048AB
		1	J, U			ENC	DDQ		Stamped G (X=3.05mm/3.10mm). 52108121AB

CHEROKEE (XJ)

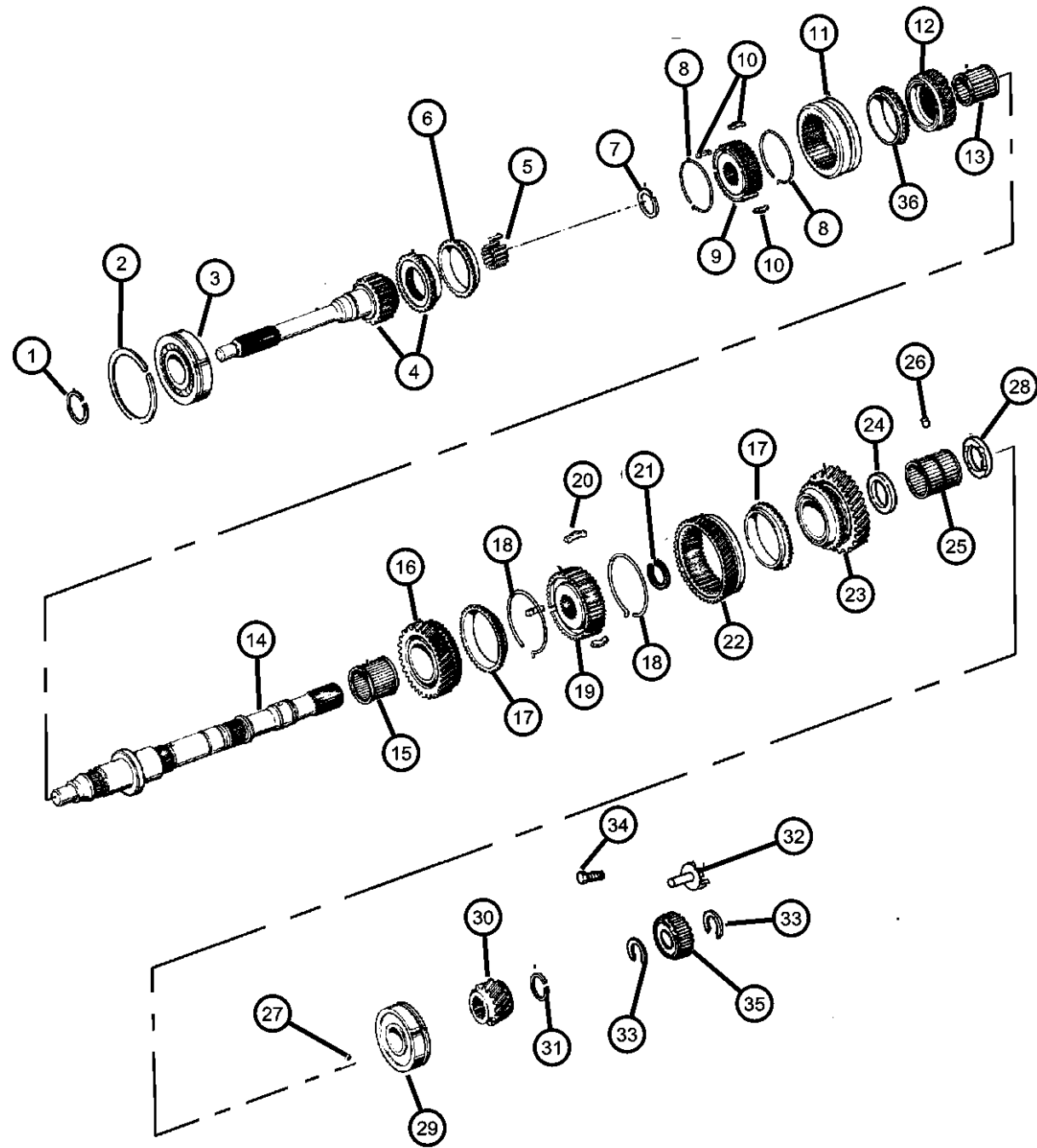
SERIES LINE
 L = LOWLINE B = JEEP - 2WD (RHD)
 U = JEEP - 4WD (RHD)
 T = LHD - (2WD)
 J = JEEP - - LHD (4WD)

BODY
 72 = 2DR (101.4 WB)
 74 = 4 DR (101.4 WB)

ENGINE TRANSMISSION
 ENC = 2.5L 4 Cyl Turbo Diesel Engine
 EPE = Engine - 2.5L Power Tech I-4 Cyl.
 ERH = 4.0L Power Tech I-6 Engine
 ENO = Engines - ALL 4/5 CYL Turbo Diesel
 ERO = Engines - All 4.0L 6 Cyl Gas
 EPO = ENGINES - ALL 2.5L 4 CYL GAS
 DCB = Transmission - 4-Speed Manual, T3340
 DDQ = 5-Speed Manual Transmission
 DDX = 5-Speed HD Manual Transmission
 DGD = 3-Spd. Automatic 30RH Transmission
 DGK = 4-Spd. Automatic 42RE Transmission
 DGS = 4-Speed Automatic AW4 Transmission
 DGT = 4-Spd. Automatic 46RE Transmission
 DGW = TRANSMISSION - 4-SPD. AUTOMATIC, 44RE
 DGX = 4-Speed Automatic Transmission
 DGY = No Description Available
 DGZ = Transmission- 4-Spd. Automatic, MT643
 DBB = ALL MANUAL TRANSMISSIONS
 DGO = TRANSMISSIONS - ALL AUTOMATIC

AR = use ase required - = Non illustrated part

**Gear Train AX 15 (DDQ)
Figure AX-415**



ITEM	PART NUMBER	QTY	LINE	SERIES	BODY	ENGINE	TRANS	TRIM	DESCRIPTION
	83506275	1	J, U			ER0	DDQ		Stamped H (X=3.10mm/3.15mm). 52108047AB
		1	B, T			ER0	DDQ		Stamped H (X=3.10mm/3.15mm). 52108048AB
		1	J, U			ENC	DDQ		Stamped H (X=3.10mm/3.15mm). 52108121AB
	83506276	1	J, U			ER0	DDQ		Stamped I (X=3.15mm/3.20mm). 52108047AB
		1	B, T			ER0	DDQ		Stamped I (X=3.15mm/3.20mm). 52108048AB
		1	J, U			ENC	DDQ		Stamped I (X=3.15mm/3.20mm). 52108121AB
	83506277	1	J, U			ER0	DDQ		Stamped J (X=3.20mm/3.25mm). 52108047AB
		1	B, T			ER0	DDQ		Stamped J (X=3.20mm/3.25mm). 52108048AB
		1	J, U			ENC	DDQ		Stamped J (X=3.20mm/3.25mm). 52108121AB
	83506278	1	J, U			ER0	DDQ		Stamped K (X=3.25mm/3.30mm). 52108047AB
		1	B, T			ER0	DDQ		Stamped K (X=3.25mm/3.30mm). 52108048AB
		1	J, U			ENC	DDQ		Stamped K (X=3.25mm/3.30mm). 52108121AB

CHEROKEE (XJ)

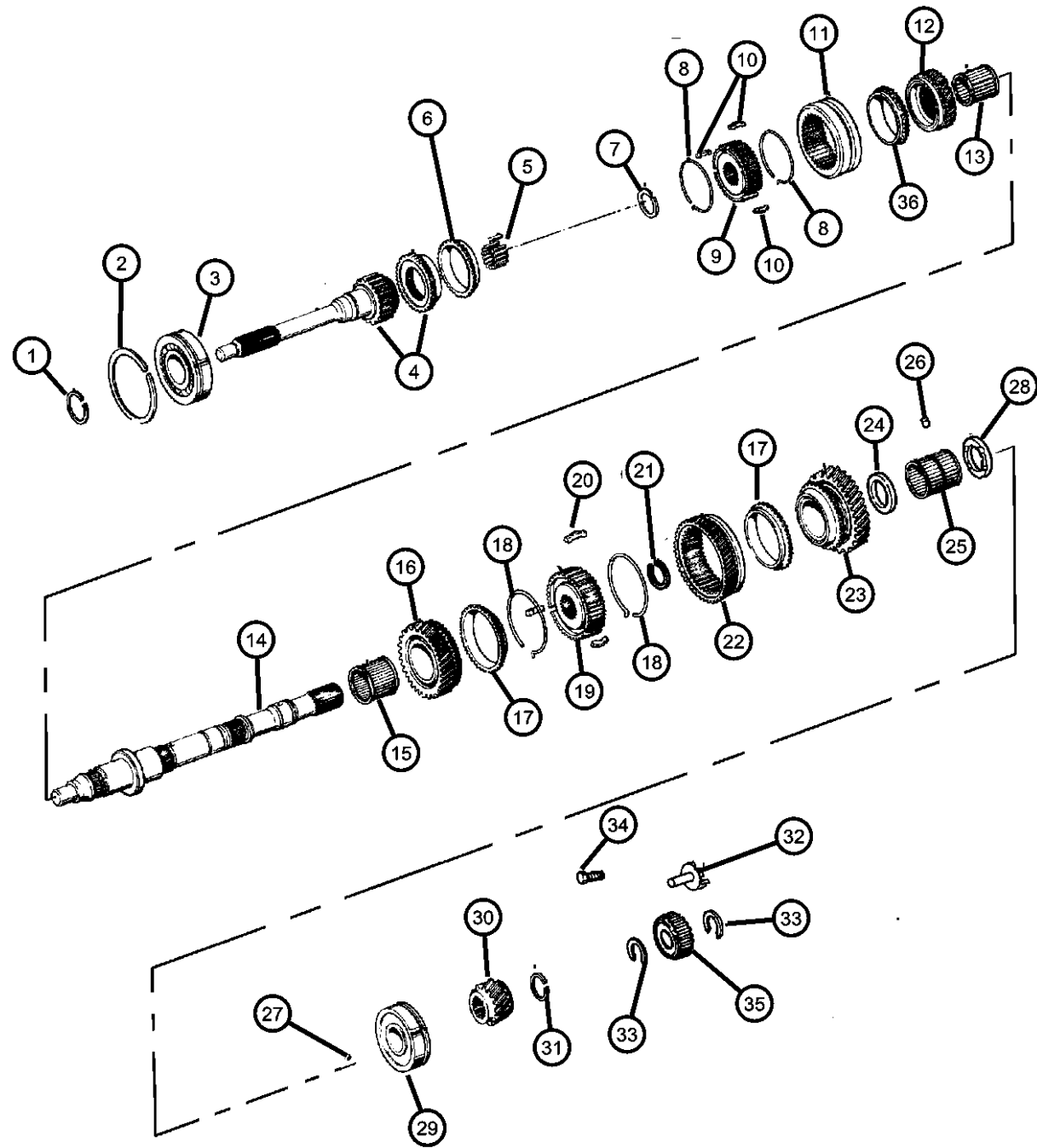
SERIES LINE
 L = LOWLINE B = JEEP - 2WD (RHD)
 U = JEEP - 4WD (RHD)
 T = LHD - (2WD)
 J = JEEP - - LHD (4WD)

BODY
 72 = 2DR (101.4 WB)
 74 = 4 DR (101.4 WB)

ENGINE TRANSMISSION
 ENC = 2.5L 4 Cyl Turbo Diesel Engine
 EPE = Engine - 2.5L Power Tech I-4 Cyl.
 ERH = 4.0L Power Tech I-6 Engine
 ENO = Engines - ALL 4/5 CYL Turbo Diesel
 ERO = Engines - All 4.0L 6 Cyl GAS
 EPO = ENGINES - ALL 2.5L 4 CYL GAS
 DCB = Transmission - 4-Speed Manual, T3340
 DDQ = 5-Speed Manual Transmission
 DDX = 5-Speed HD Manual Transmission
 DGD = 3-Spd. Automatic 30RH Transmission
 DKG = 4-Spd. Automatic 42RE Transmission
 DGS = 4-Speed Automatic AW4 Transmission
 DGT = 4-Spd. Automatic 46RE Transmission
 DGW = TRANSMISSION - 4-SPD. AUTOMATIC, 44RE
 DGX = 4-Speed Automatic Transmission
 DGY = No Description Available
 DGZ = Transmission- 4-Spd. Automatic, MT643
 DBB = ALL MANUAL TRANSMISSIONS
 DGO = TRANSMISSIONS - ALL AUTOMATIC

AR = use ase required - = Non illustrated part

**Gear Train AX 15 (DDQ)
Figure AX-415**



ITEM	PART NUMBER	QTY	LINE	SERIES	BODY	ENGINE	TRANS	TRIM	DESCRIPTION
	83506279	1	J, U			ER0	DDQ		Stamped L (X=3.30mm/3.35mm). 52108047AB
		1	B, T			ER0	DDQ		Stamped L (X=3.30mm/3.35mm). 52108048AB
		1	J, U			ENC	DDQ		Stamped L (X=3.30mm/3.35mm). 52108121AB
32									PIPE, Oil Receiver
	83500646	1	J, U			ER0	DDQ		52108047AB
		1	B, T			ER0	DDQ		52108048AB
		1	J, U			ENC	DDQ		52108121AB
33									SNAP RING
	83506222	1	J, U			ER0	DDQ		52108047AB
		1	J, U			ENC	DDQ		52108121AB
	83506229	2	B, T			ER0	DDQ		52108048AB
34	04897134AA	1	B, T			ER0	DDQ		BOLT, Oil Receiver Pipe, 52108048AB
35	83506228	1	B, T			ER0	DDQ		GEAR, Speedometer Drive, 52108048AB
36									STOP RING, Synchronizer
	04637533	1	J, U			ER0	DDQ		
		1	B, T			ER0	DDQ		
	04897051AA	1	J, U			ER0	DDQ		3RD GEAR
		1	B, T			ER0	DDQ		3RD GEAR

CHEROKEE (XJ)

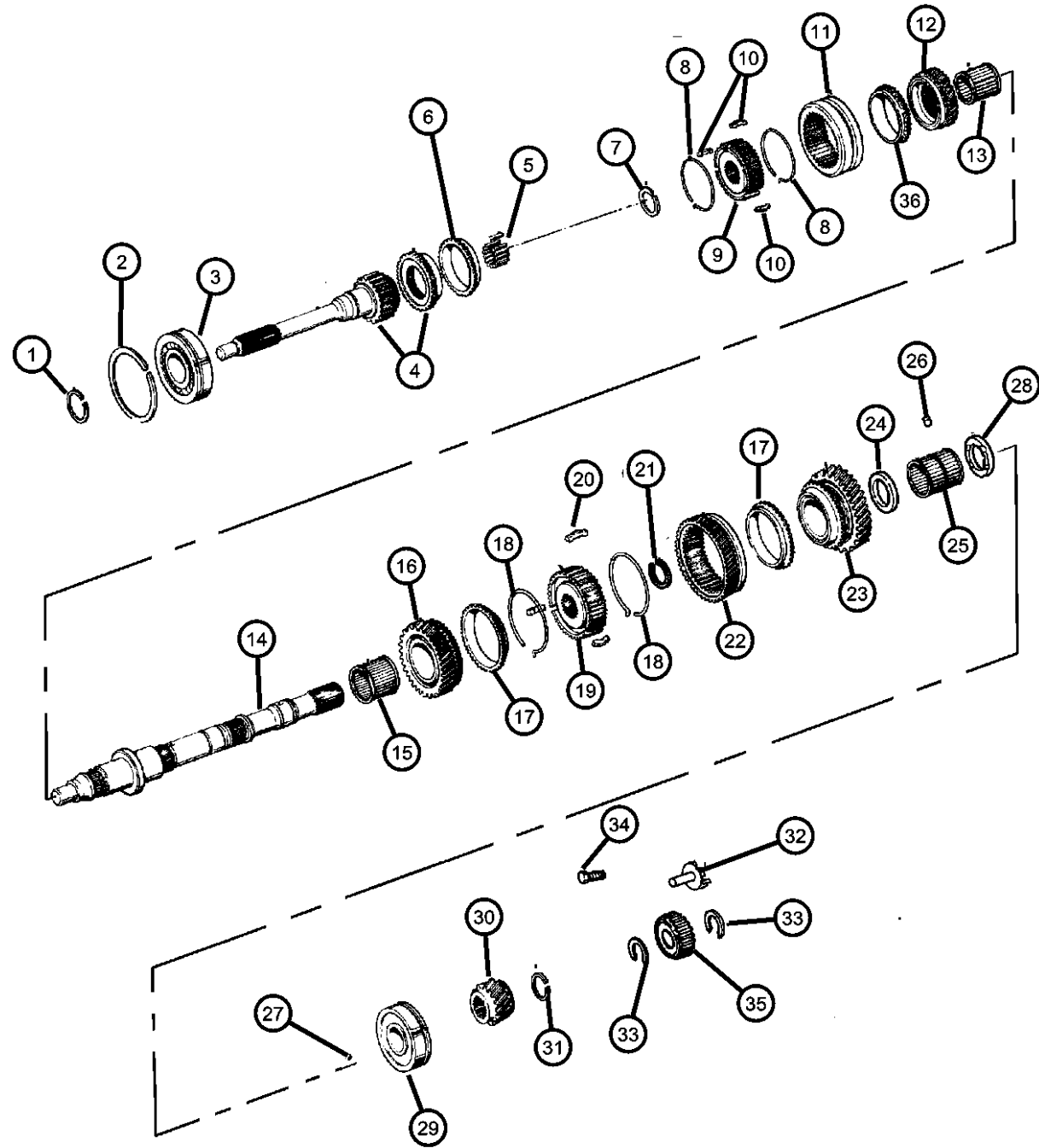
SERIES LINE
 L = LOWLINE B = JEEP - 2WD (RHD)
 U = JEEP - 4WD (RHD)
 T = LHD - (2WD)
 J = JEEP - - LHD (4WD)

BODY
 72 = 2DR (101.4 WB)
 74 = 4 DR (101.4 WB)

ENGINE TRANSMISSION
 ENC = 2.5L 4 Cyl Turbo Diesel Engine
 EPE = Engine - 2.5L Power Tech I-4 Cyl.
 ERH = 4.0L Power Tech I-6 Engine
 ENO = Engines - ALL 4/5 CYL Turbo Diesel
 ERO = Engines - All 4.0L 6 Cyl Gas
 EPO = ENGINES - ALL 2.5L 4 CYL GAS
 DCB = Transmission - 4-Speed Manual, T3340
 DDQ = 5-Speed Manual Transmission
 DDX = 5-Speed HD Manual Transmission
 DGD = 3-Spd. Automatic 30RH Transmission
 DKG = 4-Spd. Automatic 42RE Transmission
 DGS = 4-Speed Automatic AW4 Transmission
 DGT = 4-Spd. Automatic 46RE Transmission
 DGW = TRANSMISSION - 4-SPD. AUTOMATIC, 44RE
 DGX = 4-Speed Automatic Transmission
 DGY = No Description Available
 DGZ = Transmission- 4-Spd. Automatic, MT643
 DBB = ALL MANUAL TRANSMISSIONS
 DGO = TRANSMISSIONS - ALL AUTOMATIC

AR = use ase required - = Non illustrated part

**Gear Train AX 15 (DDQ)
Figure AX-415**



ITEM	PART NUMBER	QTY	LINE	SERIES	BODY	ENGINE	TRANS	TRIM	DESCRIPTION
	04897052AA	1	J, U			ER0	DDQ		4TH GEAR
		1	B, T			ER0	DDQ		4TH GEAR
	83500566	3	B, T			EP0	DDQ		
		3	J, U			EP0	DDQ		

CHEROKEE (XJ)

SERIES LINE
 L = LOWLINE B = JEEP - 2WD (RHD)
 U = JEEP - 4WD (RHD)
 T = LHD - (2WD)
 J = JEEP - - LHD (4WD)

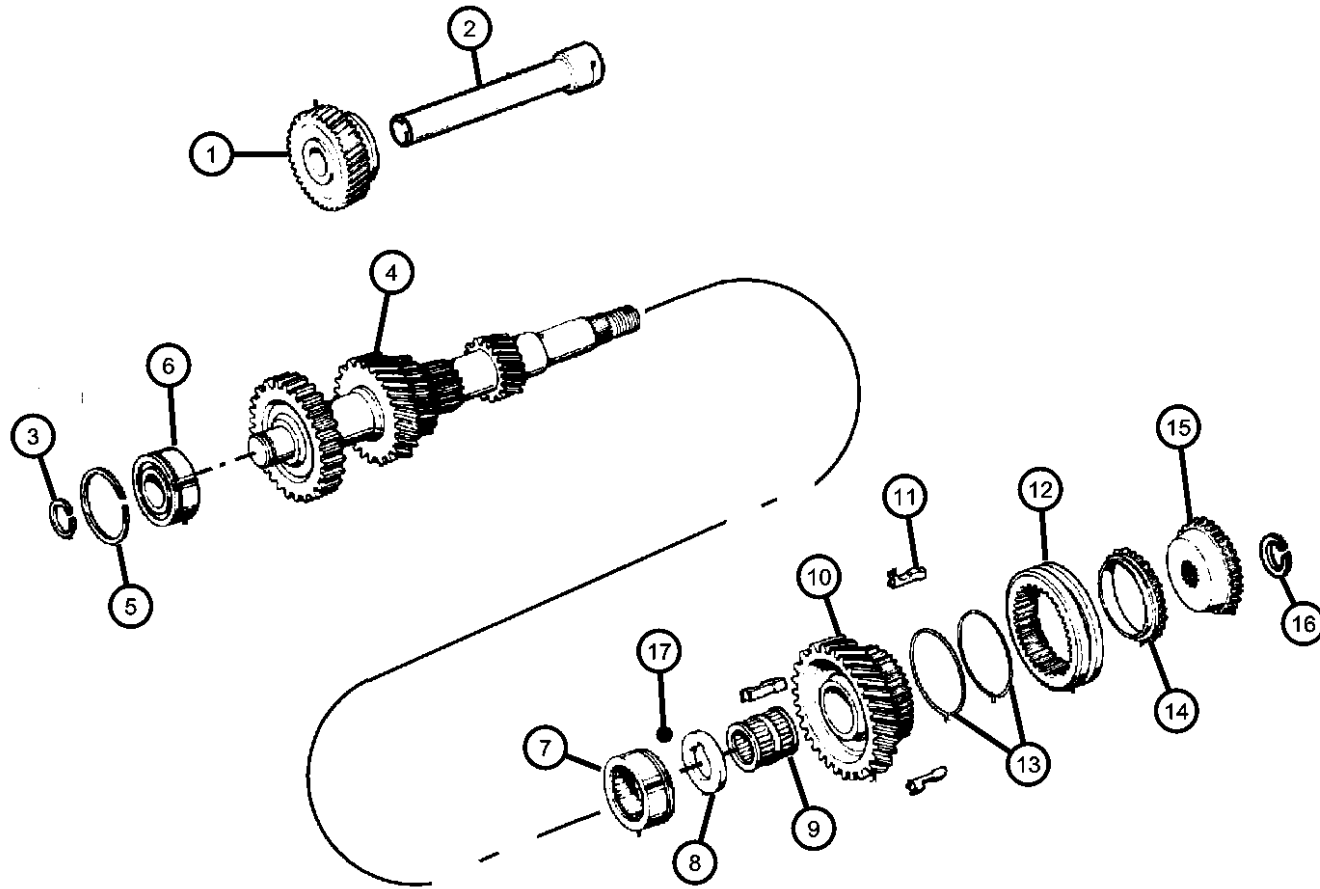
BODY
 72 = 2DR (101.4 WB)
 74 = 4 DR (101.4 WB)

ENGINE TRANSMISSION
 ENC = 2.5L 4 Cyl Turbo Diesel Engine DCB = Transmission - 4-Speed Manual,T3340
 EPE = Engine - 2.5L Power Tech I-4 Cyl. DDQ = 5-Speed Manual Transmission
 ERH = 4.0L Power Tech I-6 Engine DDX = 5-Speed HD Manual Transmission
 ENO = Engines - ALL 4/5 CYL Turbo Diesel DGD = 3-Spd. Automatic 30RH Transmission
 ERO = Engines - All 4.0L 6 Cyl Gas DGK = 4-Spd. Automatic 42RE Transmission
 EP0 = ENGINES - ALL 2.5L 4 CYL GAS DGS = 4-Speed Automatic AW4 Transmission
 DGT = 4-Spd. Automatic 46RE Transmission
 DGW = TRANSMISSION - 4-SPD. AUTOMATIC,44RE
 DGX = 4-Speed Automatic Transmission
 DGY = No Description Available
 DGZ = Transmission- 4-Spd. Automatic,MT643
 DBB = ALL MANUAL TRANSMISSIONS
 DG0 = TRANSMISSIONS - ALL AUTOMATIC

AR = use ase required - = Non illustrated part

**Reverse Idler Ax 15 (DDQ)
Figure AX-420**

ITEM	PART NUMBER	QTY	LINE	SERIES	BODY	ENGINE	TRANS	TRIM	DESCRIPTION
									Notes: DDQ = 5 Speed Manual Transmission ER0 = All 4.0L 6 Cylinder Gas Engines ENC = 2.5L 4 Cylinder Turbo Diesel Engine
1									GEAR, Reverse Idler
	05252084	1	J, U			ER0	DDQ		52108047AB
		1	B, T			ER0	DDQ		52108048AB
		1	J, U			ENC	DDQ		52108121AB
2									IDLER SHAFT, Transmission
	83506258	1	J, U			ER0	DDQ		52108047AB
		1	B, T			ER0	DDQ		52108048AB
		1	J, U			ENC	DDQ		52108121AB
3									SNAP RING
	83506081	1	J, U			ER0	DDQ		Stamped A (X=2.00mm/2.05mm)
		1	B, T			ER0	DDQ		Stamped A (X=2.00mm/2.05mm)
		1	J, U			ENC	DDQ		Stamped A (X=2.00mm/2.05mm)
	83506082	1	J, U			ER0	DDQ		Stamped B (X=2.05mm/2.10mm)
		1	B, T			ER0	DDQ		Stamped B (X=2.05mm/2.10mm)
		1	J, U			ENC	DDQ		Stamped B (X=2.05mm/2.10mm)
	83506083	1	J, U			ER0	DDQ		Stamped C (X=2.10mm/2.15mm)
		1	B, T			ER0	DDQ		Stamped C (X=2.10mm/2.15mm)
		1	J, U			ENC	DDQ		Stamped C (X=2.10mm/2.15mm)
	83506084	1	J, U			ER0	DDQ		Stamped D (X=2.15mm/2.20mm)
		1	B, T			ER0	DDQ		Stamped D (X=2.15mm/2.20mm)



CHEROKEE (XJ)

SERIES LINE
L = LOWLINE B = JEEP - 2WD (RHD)
U = JEEP - 4WD (RHD)
T = LHD - (2WD)
J = JEEP - - LHD (4WD)

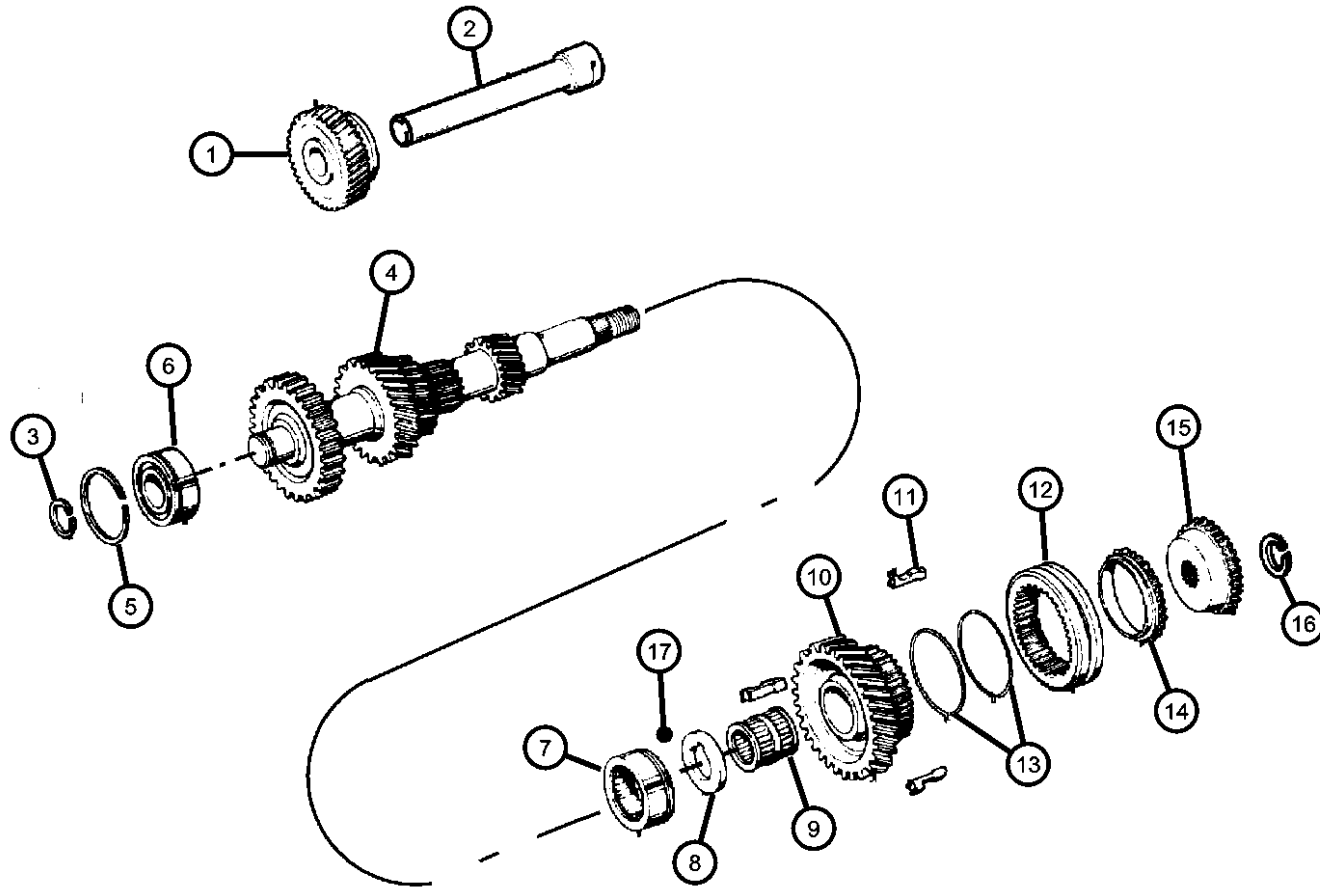
BODY
72 = 2DR (101.4 WB)
74 = 4 DR (101.4 WB)

ENGINE TRANSMISSION
ENC = 2.5L 4 Cyl Turbo Diesel Engine DCB = Transmission - 4-Speed Manual, T3340
EPE = Engine - 2.5L Power Tech I-4 Cyl. DDQ = 5-Speed Manual Transmission
ERH = 4.0L Power Tech I-6 Transmission
Engine DGD = 3-Spd. Automatic 30RH
Transmission
ENO = Engines - ALL 4/5 CYL Turbo Diesel DGK = 4-Spd. Automatic 42RE
Transmission
ER0 = Engines - All 4.0L 6 Cyl Gas DGS = 4-Speed Automatic AW4
Transmission
EPO = ENGINES - ALL 2.5L 4 CYL GAS DGT = 4-Spd. Automatic 46RE
Transmission
DGW = TRANSMISSION - 4-SPD. AUTOMATIC, 44RE
DGX = 4-Speed Automatic Transmission
DGY = No Description Available
DGZ = Transmission- 4-Spd. Automatic, MT643
DBB = ALL MANUAL TRANSMISSIONS
DGO = TRANSMISSIONS - ALL AUTOMATIC

AR = use ase required - = Non illustrated part

1998 XJ

Reverse Idler Ax 15 (DDQ)
Figure AX-420



ITEM	PART NUMBER	QTY	LINE	SERIES	BODY	ENGINE	TRANS	TRIM	DESCRIPTION
		1	J, U			ENC	DDQ		Stamped D (X=2.15mm/2.20mm)
	83506085	1	J, U			ER0	DDQ		Stamped E (X=2.20mm/2.25mm)
		1	B, T			ER0	DDQ		Stamped E (X=2.20mm/2.25mm)
		1	J, U			ENC	DDQ		Stamped E (X=2.20mm/2.25mm)
4									GEAR, Countershaft
	04636371	1	J, U			ER0	DDQ		52108047AB
		1	B, T			ER0	DDQ		52108048AB
5									SNAP RING
	83506220	1	J, U			ER0	DDQ		52108047AB
		1	B, T			ER0	DDQ		52108048AB
		1	J, U			ENC	DDQ		52108121AB
6									BEARING, Countershaft
	83506259	1	J, U			ER0	DDQ		52108047AB
		1	B, T			ER0	DDQ		52108048AB
		1	J, U			ENC	DDQ		52108121AB
7									NEEDLE BEARING, Countershaft
	83506080	1	J, U			ER0	DDQ		52108047AB
		1	B, T			ER0	DDQ		52108048AB
		1	J, U			ENC	DDQ		52108121AB
8									THRUST WASHER, Fifth Gear
	83506245	1	J, U			ER0	DDQ		52108047AB
		1	B, T			ER0	DDQ		52108048AB

CHEROKEE (XJ)

SERIES LINE
L = LOWLINE B = JEEP - 2WD (RHD)
U = JEEP - 4WD (RHD)
T = LHD - (2WD)
J = JEEP - - LHD (4WD)

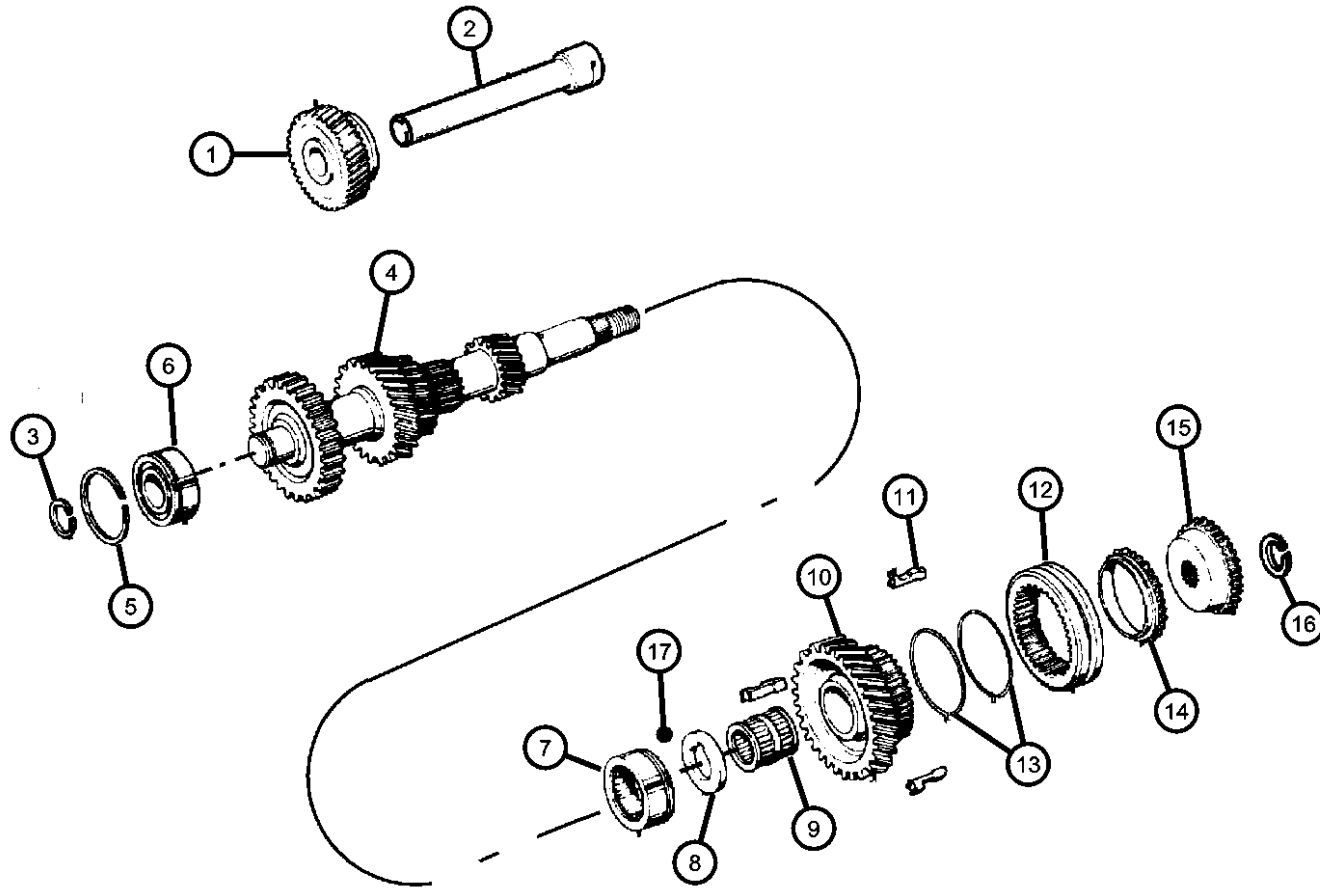
BODY
72 = 2DR (101.4 WB)
74 = 4 DR (101.4 WB)

ENGINE TRANSMISSION
ENC = 2.5L 4 Cyl Turbo Diesel Engine
EPE = Engine - 2.5L Power Tech I-4 Cyl.
ERH = 4.0L Power Tech I-6 Engine
ENO = Engines - ALL 4/5 CYL Turbo Diesel
ERO = Engines - All 4.0L 6 Cyl Gas
EPO = ENGINES - ALL 2.5L 4 CYL GAS
DCB = Transmission - 4-Speed Manual, T3340
DDQ = 5-Speed Manual Transmission
DDX = 5-Speed HD Manual Transmission
DGD = 3-Spd. Automatic 30RH Transmission
DGK = 4-Spd. Automatic 42RE Transmission
DGS = 4-Speed Automatic AW4 Transmission
DGT = 4-Spd. Automatic 46RE Transmission
DGW = TRANSMISSION - 4-SPD. AUTOMATIC, 44RE
DGX = 4-Speed Automatic Transmission
DGY = No Description Available
DGZ = Transmission- 4-Spd. Automatic, MT643
DBB = ALL MANUAL TRANSMISSIONS
DGO = TRANSMISSIONS - ALL AUTOMATIC

AR = use ase required - = Non illustrated part

1998 XJ

Reverse Idler Ax 15 (DDQ)
Figure AX-420



ITEM	PART NUMBER	QTY	LINE	SERIES	BODY	ENGINE	TRANS	TRIM	DESCRIPTION
9		1	J, U			ENC	DDQ		52108121AB NEEDLE BEARING, Fifth Gear
	83506079	1	J, U			ER0	DDQ		52108047AB
		1	B, T			ER0	DDQ		52108048AB
		1	J, U			ENC	DDQ		52108121AB
10		1	J, U			ER0	DDQ		52108047AB GEAR, Countershaft Fifth
	04637527	1	B, T			ER0	DDQ		52108048AB
		1	J, U			ENC	DDQ		52108121AB
11		3	J, U			ER0	DDQ		52108047AB KEY, Synchronizer
	04637532	3	B, T			ER0			52108048AB
		3	J, U			ENC			52108121AB
12		1	J, U			ER0	DDQ		52108047AB SLEEVE, Synchronizer
	83506257	1	B, T			ER0	DDQ		52108048AB
		1	J, U			ENC	DDQ		52108121AB
13		2	J, U			ER0	DDQ		52108047AB SPRING, Synchronizer
	04637534	2	B, T			ER0			52108048AB
		2	J, U			ENC			52108121AB
14									STOP RING, Synchronizer

CHEROKEE (XJ)

SERIES LINE
L = LOWLINE B = JEEP - 2WD (RHD)
U = JEEP - 4WD (RHD)
T = LHD - (2WD)
J = JEEP - - LHD (4WD)

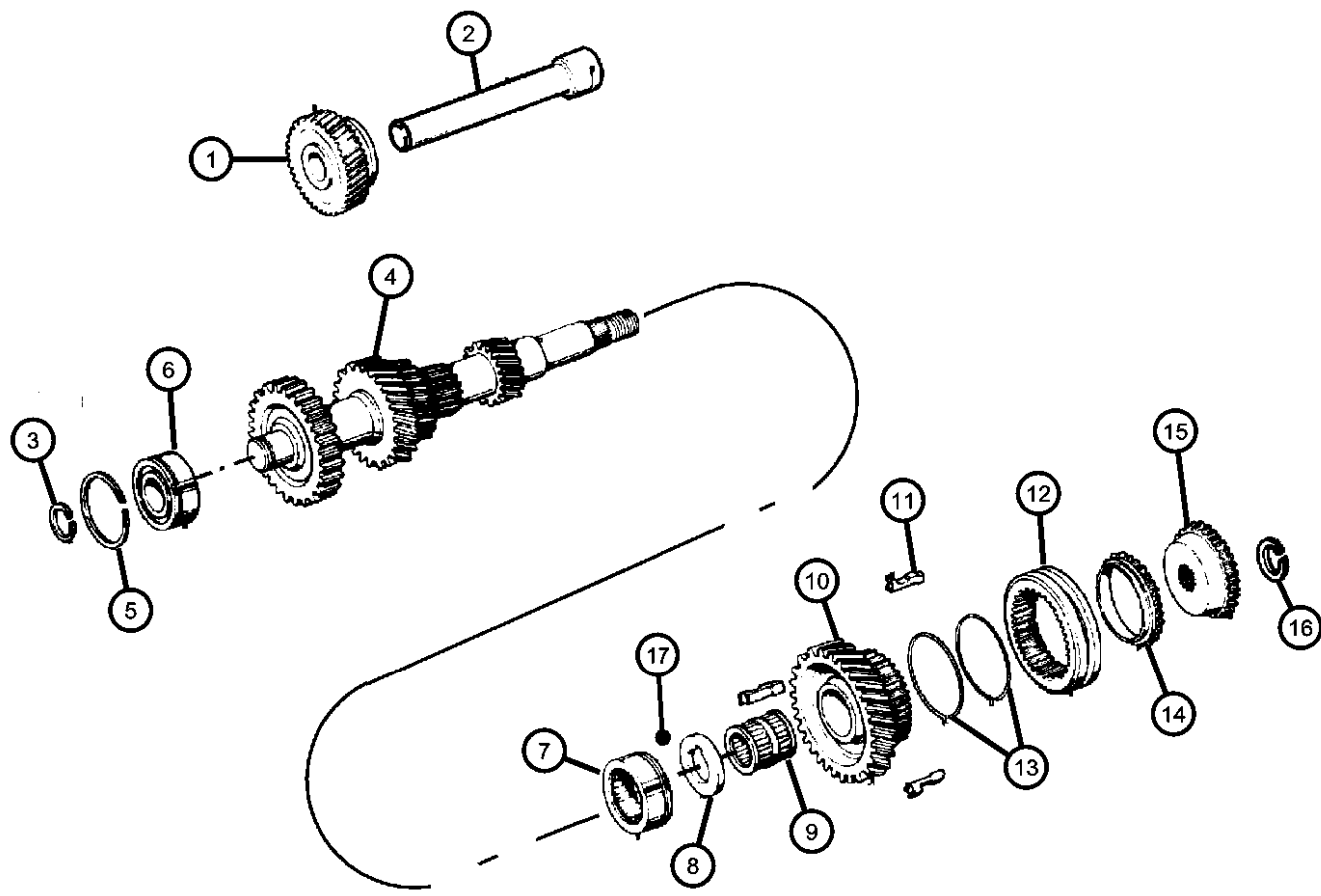
BODY
72 = 2DR (101.4 WB)
74 = 4 DR (101.4 WB)

ENGINE TRANSMISSION
ENC = 2.5L 4 Cyl Turbo Diesel Engine
EPE = Engine - 2.5L Power Tech I-4 Cyl.
ERH = 4.0L Power Tech I-6 Engine
ENO = Engines - ALL 4/5 CYL Turbo Diesel
ERO = Engines - All 4.0L 6 Cyl Gas
EPO = ENGINES - ALL 2.5L 4 CYL GAS
DCB = Transmission - 4-Speed Manual, T3340
DDQ = 5-Speed Manual Transmission
DDX = 5-Speed HD Manual Transmission
DGD = 3-Spd. Automatic 30RH Transmission
DGK = 4-Spd. Automatic 42RE Transmission
DGS = 4-Speed Automatic AW4 Transmission
DGT = 4-Spd. Automatic 46RE Transmission
DGW = TRANSMISSION - 4-SPD. AUTOMATIC, 44RE
DGX = 4-Speed Automatic Transmission
DGY = No Description Available
DGZ = Transmission- 4-Spd. Automatic, MT643
DBB = ALL MANUAL TRANSMISSIONS
DGO = TRANSMISSIONS - ALL AUTOMATIC

AR = use ase required - = Non illustrated part

1998 XJ

Reverse Idler Ax 15 (DDQ)
Figure AX-420



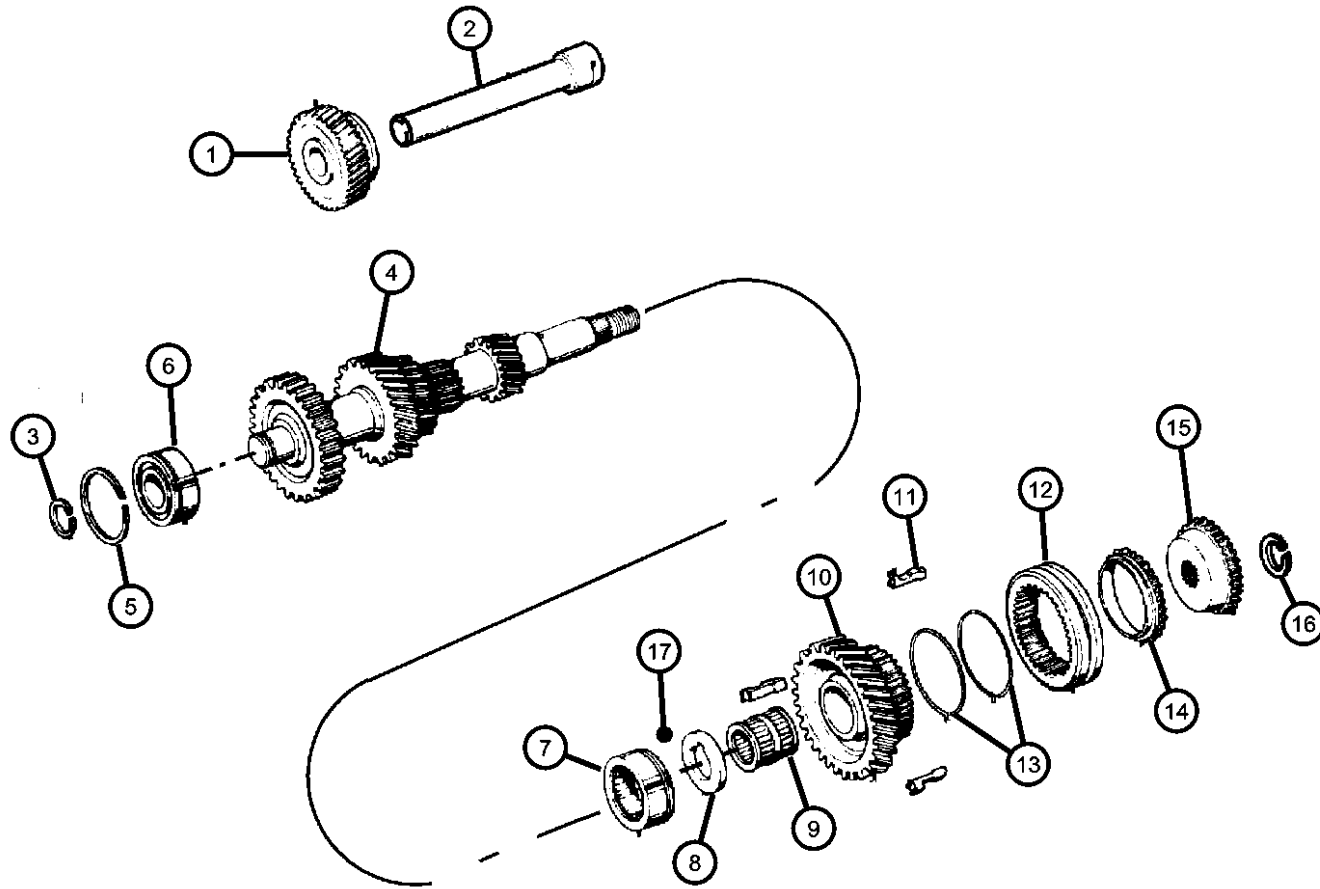
ITEM	PART NUMBER	QTY	LINE	SERIES	BODY	ENGINE	TRANS	TRIM	DESCRIPTION
	04637533	1	J, U			ER0	DDQ		52108047AB
		1	B, T			ER0	DDQ		52108048AB
		1	J, U			ENC	DDQ		52108121AB
15									GEAR, Fifth Splined
	83506242	1	J, U			ER0	DDQ		52108047AB
		1	B, T			ER0	DDQ		52108048AB
		1	J, U			ENC	DDQ		52108121AB
16									SNAP RING
	83506260	1	J, U			ER0	DDQ		Stamped A (X=2.80mm/2.85mm)
		1	B, T			ER0	DDQ		Stamped A (X=2.80mm/2.85mm)
		1	J, U			ENC	DDQ		Stamped A (X=2.80mm/2.85mm)
	83506261	1	J, U			ER0	DDQ		Stamped B (X=2.85mm/2.90mm)
		1	B, T			ER0	DDQ		Stamped B (X=2.85mm/2.90mm)
		1	J, U			ENC	DDQ		Stamped B (X=2.85mm/2.90mm)
	83506262	1	J, U			ER0	DDQ		Stamped C (X=2.90mm/2.95mm)
		1	B, T			ER0	DDQ		Stamped C (X=2.90mm/2.95mm)
		1	J, U			ENC	DDQ		Stamped C (X=2.90mm/2.95mm)
	83506263	1	J, U			ER0	DDQ		Stamped D (X=2.95mm/3.00mm)
		1	B, T			ER0	DDQ		Stamped D (X=2.95mm/3.00mm)
		1	J, U			ENC	DDQ		Stamped D (X=2.95mm/3.00mm)
	83506264	1	J, U			ER0	DDQ		Stamped E (X=3.00mm/3.05mm)
		1	B, T			ER0	DDQ		Stamped E (X=3.00mm/3.05mm)

CHEROKEE (XJ)
 SERIES LINE BODY ENGINE TRANSMISSION
 L = LOWLINE B = JEEP - 2WD (RHD) 72 = 2DR (101.4 WB) ENC = 2.5L 4 Cyl Turbo Diesel DCB = Transmission - 4-Speed Manual, T3340
 U = JEEP - 4WD (RHD) 74 = 4 DR (101.4 WB) EPE = Engine - 2.5L Power Tech I-4 Cyl. DDQ = 5-Speed Manual Transmission
 T = LHD - (2WD) ERH = 4.0L Power Tech I-6 Engine DDG = 5-Speed HD Manual Transmission
 J = JEEP - - LHD (4WD) ENO = Engines - ALL 4/5 CYL Turbo Diesel DGD = 3-Spd. Automatic 30RH Transmission
 ERO = Engines - All 4.0L 6 Cyl Gas DGK = 4-Spd. Automatic 42RE Transmission
 EPO = ENGINES - ALL 2.5L 4 CYL GAS DGS = 4-Speed Automatic AW4 Transmission
 DGT = 4-Spd. Automatic 46RE Transmission
 DGW = TRANSMISSION - 4-SPD. AUTOMATIC, 44RE
 DGX = 4-Speed Automatic Transmission
 DGY = No Description Available
 DGZ = Transmission- 4-Spd. Automatic, MT643
 DBB = ALL MANUAL TRANSMISSIONS
 DGO = TRANSMISSIONS - ALL AUTOMATIC

AR = use ase required - = Non illustrated part

Reverse Idler Ax 15 (DDQ)
Figure AX-420

ITEM	PART NUMBER	QTY	LINE	SERIES	BODY	ENGINE	TRANS	TRIM	DESCRIPTION
		1	J, U			ENC	DDQ		Stamped E (X=3.00mm/3.05mm)
	83506265	1	J, U			ER0	DDQ		Stamped F (X=3.05mm/3.10mm)
		1	B, T			ER0	DDQ		Stamped F (X=3.05mm/3.10mm)
		1	J, U			ENC	DDQ		Stamped F (X=3.05mm/3.10mm)
	83506266	1	J, U			ER0	DDQ		Stamped G (X=3.10mm/3.15mm)
		1	B, T			ER0	DDQ		Stamped G (X=3.10mm/3.15mm)
		1	J, U			ENC	DDQ		Stamped G (X=3.10mm/3.15mm)
	83506267	1	J, U			ER0	DDQ		Stamped H (X=3.15mm/3.20mm)
		1	B, T			ER0	DDQ		Stamped H (X=3.15mm/3.20mm)
		1	J, U			ENC	DDQ		Stamped H (X=3.15mm/3.20mm)
17									BALL, Reverse
	83500573	1	J, U			ER0	DDQ		52108047AB
		1	B, T			ER0	DDQ		52108048AB
		1	J, U			ENC	DDQ		52108121AB



CHEROKEE (XJ)

SERIES LINE
L = LOWLINE B = JEEP - 2WD (RHD)
U = JEEP - 4WD (RHD)
T = LHD - (2WD)
J = JEEP - - LHD (4WD)

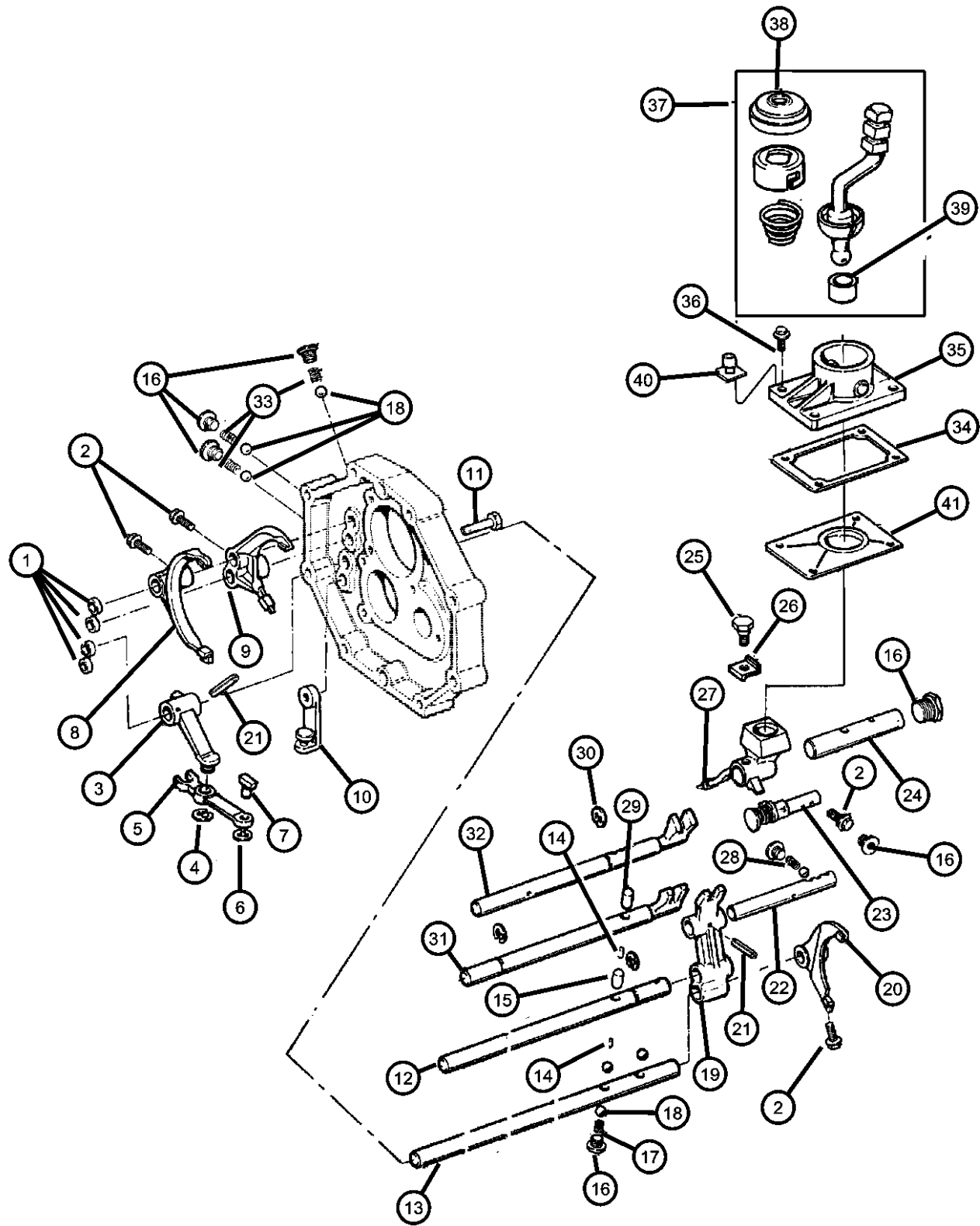
BODY
72 = 2DR (101.4 WB)
74 = 4 DR (101.4 WB)

ENGINE TRANSMISSION
ENC = 2.5L 4 Cyl Turbo Diesel Engine DCB = Transmission - 4-Speed Manual, T3340
EPE = Engine - 2.5L Power Tech I-4 Cyl. DDQ = 5-Speed Manual Transmission
ERH = 4.0L Power Tech I-6 Engine DDX = 5-Speed HD Manual Transmission
ENO = Engines - ALL 4/5 CYL Turbo Diesel DGD = 3-Spd. Automatic 30RH Transmission
ERO = Engines - All 4.0L 6 Cyl Gas DGK = 4-Spd. Automatic 42RE Transmission
EPO = ENGINES - ALL 2.5L 4 CYL GAS DGS = 4-Speed Automatic AW4 Transmission
DGT = 4-Spd. Automatic 46RE Transmission
DGW = TRANSMISSION - 4-SPD. AUTOMATIC, 44RE
DGX = 4-Speed Automatic Transmission
DGY = No Description Available
DGZ = Transmission- 4-Spd. Automatic, MT643
DBB = ALL MANUAL TRANSMISSIONS
DGO = TRANSMISSIONS - ALL AUTOMATIC

AR = use ase required - = Non illustrated part

1998 XJ

Forks AX 5 (DDQ)
Figure AX-910



ITEM	PART NUMBER	QTY	LINE	SERIES	BODY	ENGINE	TRANS	TRIM	DESCRIPTION
8		1	J, U			EP0	DDQ		FORK PACKAGE, Shift
	04740236	1	B, T			EP0	DDQ		
9		1	J, U			EP0	DDQ		FORK, Transmission
	83502662	1	B, T			EP0	DDQ		
10		1	J, U			EP0	DDQ		BRACKET, Reverse Arm
	83500531	1	B, T			EP0	DDQ		
11		1	J, U			EP0	DDQ		BOLT, Bearing Retainer
	83500549	2	B, T			EP0	DDQ		
12		2	J, U			EP0	DDQ		SHAFT, Gear Shift Fork, Number 3
	04746659	1	B, T			EP0	DDQ		52104546
		1	J, U			EP0	DDQ		52104547
13		1	B, T			EP0	DDQ		SHAFT, Gear Shift Fork, Number 4
	04746660	1	B, T			EP0	DDQ		52104546
		1	J, U			EP0	DDQ		52104547
14		2	B, T			EP0	DDQ		PIN, Shift Shaft
	83500537	2	B, T			EP0	DDQ		
		2	J, U			EP0	DDQ		

CHEROKEE (XJ)

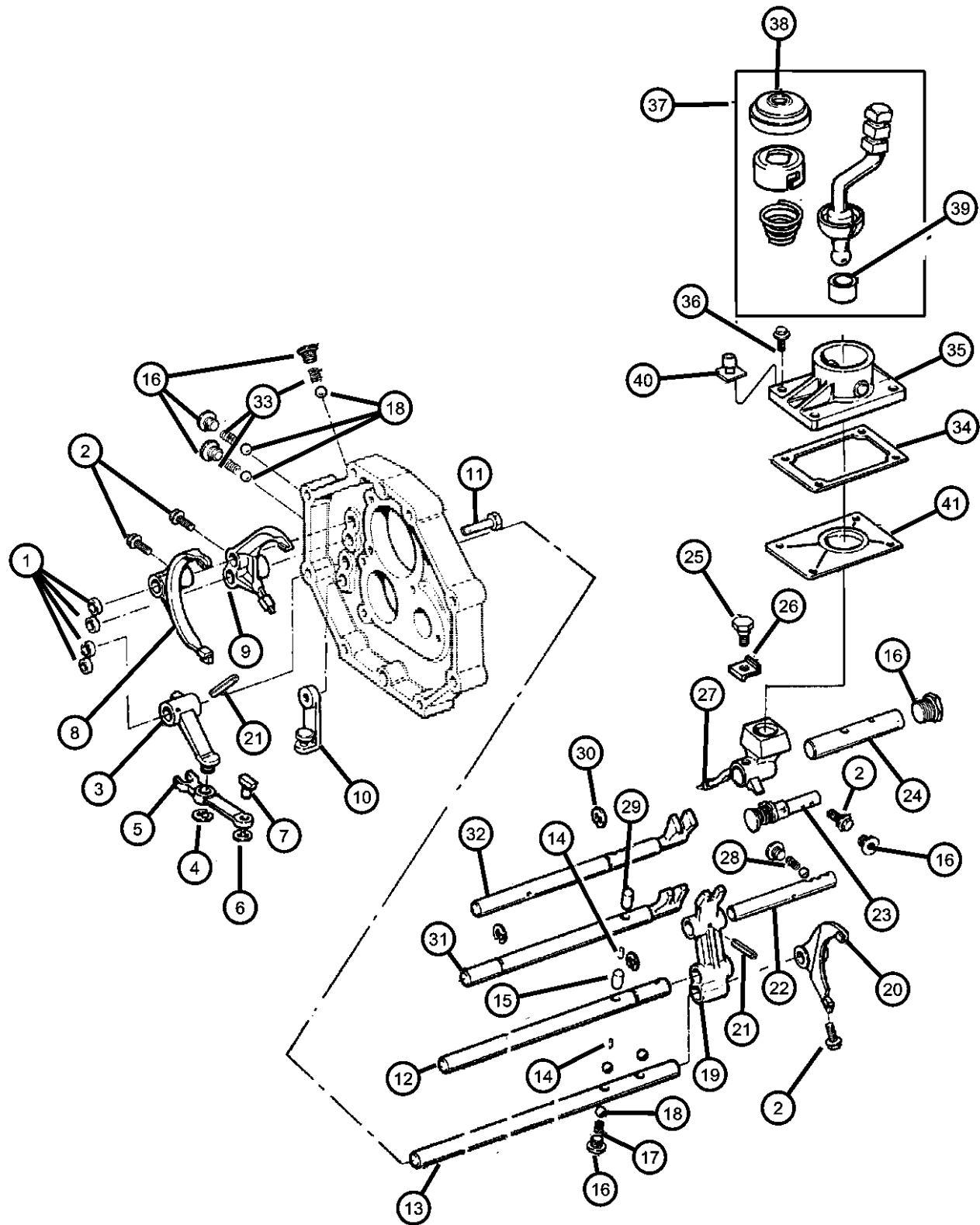
SERIES LINE
 L = LOWLINE B = JEEP - 2WD (RHD)
 U = JEEP - 4WD (RHD)
 T = LHD - (2WD)
 J = JEEP - - LHD (4WD)

BODY
 72 = 2DR (101.4 WB)
 74 = 4 DR (101.4 WB)

ENGINE TRANSMISSION
 ENC = 2.5L 4 Cyl Turbo Diesel Engine
 EPE = Engine - 2.5L Power Tech I-4 Cyl.
 ERH = 4.0L Power Tech I-6 Engine
 ENO = Engines - ALL 4/5 CYL Turbo Diesel
 ERO = Engines - All 4.0L 6 Cyl Gas
 EP0 = ENGINES - ALL 2.5L 4 CYL GAS
 DCB = Transmission - 4-Speed Manual,T3340
 DDQ = 5-Speed Manual Transmission
 DDX = 5-Speed HD Manual Transmission
 DGD = 3-Spd. Automatic 30RH Transmission
 DGK = 4-Spd. Automatic 42RE Transmission
 DGS = 4-Speed Automatic AW4 Transmission
 DGT = 4-Spd. Automatic 46RE Transmission
 DGW = TRANSMISSION - 4-SPD. AUTOMATIC,44RE
 DGX = 4-Speed Automatic Transmission
 DGY = No Description Available
 DGZ = Transmission- 4-Spd. Automatic,MT643
 DBB = ALL MANUAL TRANSMISSIONS
 DGO = TRANSMISSIONS - ALL AUTOMATIC

AR = use ase required - = Non illustrated part

Forks AX 5 (DDQ)
Figure AX-910



ITEM	PART NUMBER	QTY	LINE	SERIES	BODY	ENGINE	TRANS	TRIM	DESCRIPTION
15									PIN, Interlock, 21.6mm
	83500541	1	B, T			EP0	DDQ		
		1	J, U			EP0	DDQ		
16									PLUG, Transmission
	83503109	AR	B, T			EP0	DDQ		
		AR	J, U			EP0	DDQ		
17									SPRING, Compression Shift
	83500638	1	B, T			EP0	DDQ		
		1	J, U			EP0	DDQ		
18									BALL, Gearshift Fork Lock
	83500542	7	B, T			EP0	DDQ		
		7	J, U			EP0	DDQ		
19									HEAD, Shifter Shaft
	04746658	1	B, T			EP0	DDQ		52104546
		1	J, U			EP0	DDQ		52104547
20									FORK, Transmission
	04746656	1	B, T			EP0	DDQ		52104546
		1	J, U			EP0	DDQ		52104547
21									PIN, Shift Shaft
	83500540	2	B, T			EP0	DDQ		
		2	J, U			EP0	DDQ		
22									SHAFT, Selector

CHEROKEE (XJ)

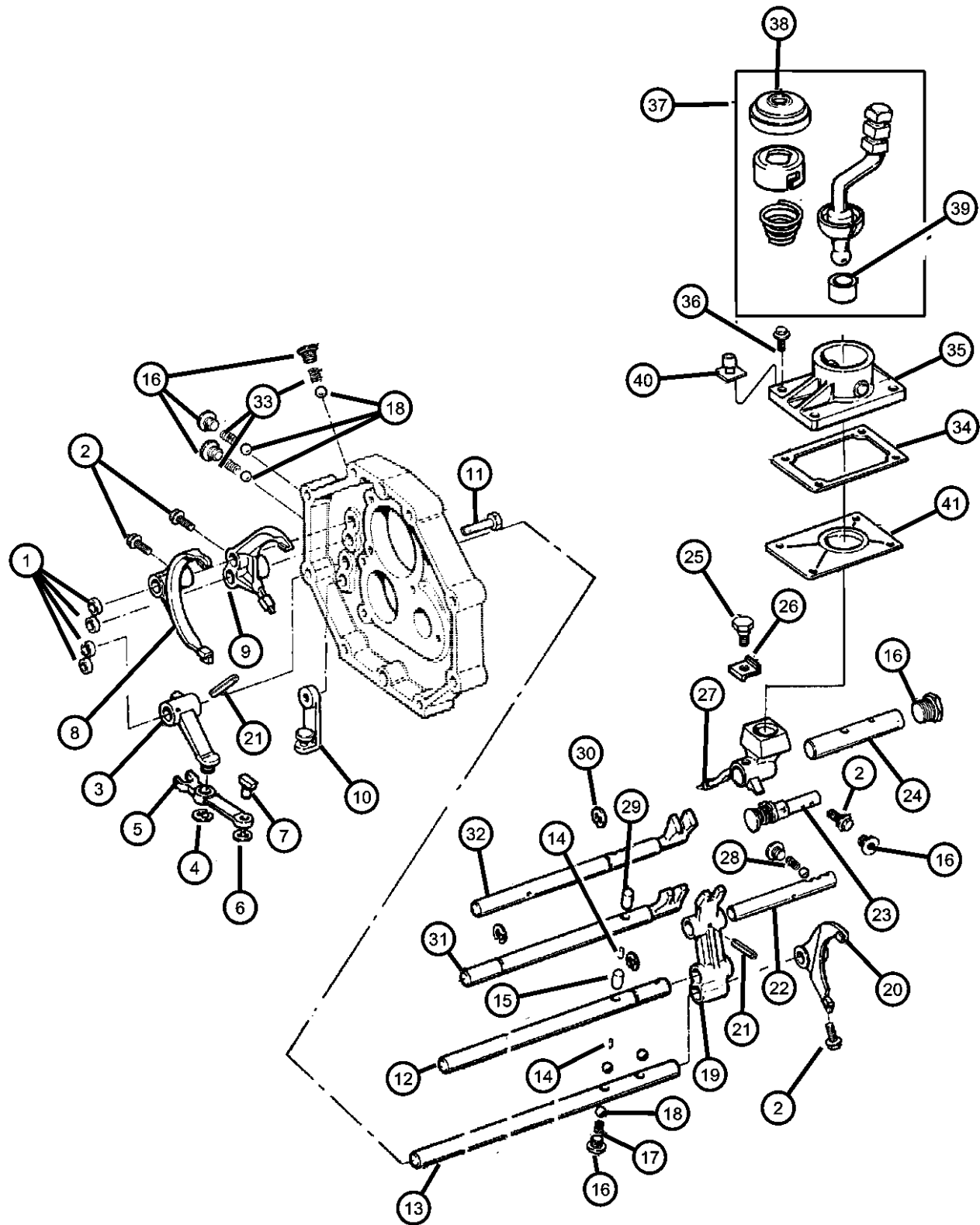
SERIES LINE
 L = LOWLINE B = JEEP - 2WD (RHD)
 U = JEEP - 4WD (RHD)
 T = LHD - (2WD)
 J = JEEP - - LHD (4WD)

BODY
 72 = 2DR (101.4 WB)
 74 = 4 DR (101.4 WB)

ENGINE TRANSMISSION
 ENC = 2.5L 4 Cyl Turbo Diesel Engine
 EPE = Engine - 2.5L Power Tech I-4 Cyl.
 ERH = 4.0L Power Tech I-6 Engine
 ENO = Engines - ALL 4/5 CYL Turbo Diesel
 ERO = Engines - All 4.0L 6 Cyl Gas
 EP0 = ENGINES - ALL 2.5L 4 CYL GAS
 DCB = Transmission - 4-Speed Manual, T3340
 DDQ = 5-Speed Manual Transmission
 DDX = 5-Speed HD Manual Transmission
 DGD = 3-Spd. Automatic 30RH Transmission
 DGK = 4-Spd. Automatic 42RE Transmission
 DGS = 4-Speed Automatic AW4 Transmission
 DGT = 4-Spd. Automatic 46RE Transmission
 DGW = TRANSMISSION - 4-SPD. AUTOMATIC, 44RE
 DGX = 4-Speed Automatic Transmission
 DGY = No Description Available
 DGZ = Transmission- 4-Spd. Automatic, MT643
 DBB = ALL MANUAL TRANSMISSIONS
 DGO = TRANSMISSIONS - ALL AUTOMATIC

AR = use ase required - = Non illustrated part

Forks AX 5 (DDQ)
Figure AX-910



ITEM	PART NUMBER	QTY	LINE	SERIES	BODY	ENGINE	TRANS	TRIM	DESCRIPTION
	83500536	1	B, T			EP0	DDQ		52104546
		1	J, U			EP0	DDQ		52104547
23	83500635	1	B, T			EP0	DDQ		PIN, Reverse
		1	J, U			EP0	DDQ		
24	83500514	1	B, T			EP0	DDQ		SHAFT, Shift Lever
		1	J, U			EP0	DDQ		
25	83506036	1	B, T			EP0	DDQ		BOLT
		1	J, U			EP0	DDQ		
26	83506036	1	B, T			EP0	DDQ		WASHER, Lock
		1	J, U			EP0	DDQ		
27	83500626	1	B, T			EP0	DDQ		HOUSING, Shift Lever
		1	J, U			EP0	DDQ		
28	83500636	1	B, T			EP0	DDQ		SPRING, Compression
		1	J, U			EP0	DDQ		
29	83500544	1	B, T			EP0	DDQ		PIN, Interlock, 30.3mm
		1	J, U			EP0	DDQ		
	83500543	1	B, T			EP0	DDQ		

CHEROKEE (XJ)

SERIES LINE
 L = LOWLINE B = JEEP - 2WD (RHD)
 U = JEEP - 4WD (RHD)
 T = LHD - (2WD)
 J = JEEP - - LHD (4WD)

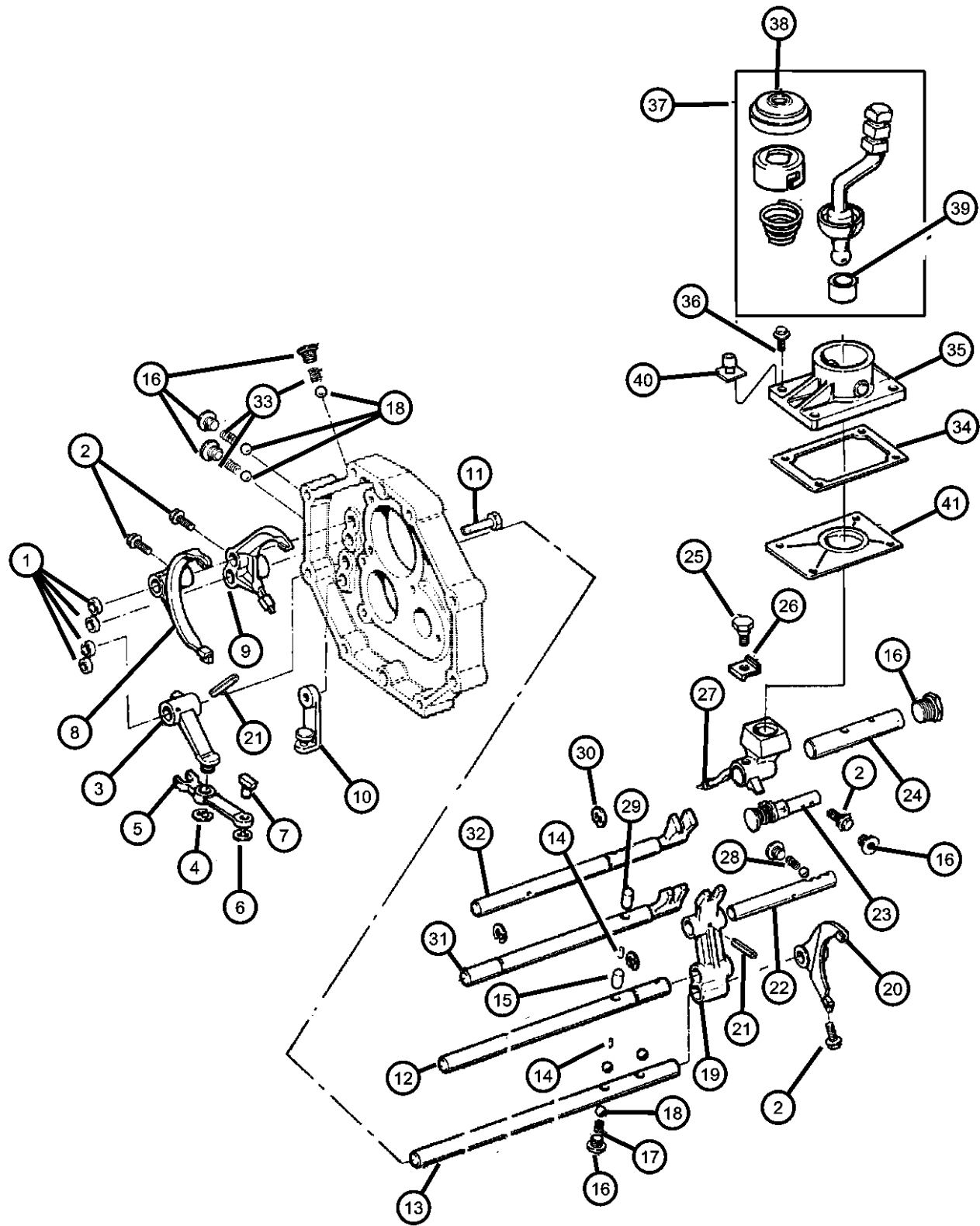
BODY
 72 = 2DR (101.4 WB)
 74 = 4 DR (101.4 WB)

ENGINE TRANSMISSION
 ENC = 2.5L 4 Cyl Turbo Diesel Engine
 EPE = Engine - 2.5L Power Tech I-4 Cyl.
 ERH = 4.0L Power Tech I-6 Engine
 ENO = Engines - ALL 4/5 CYL Turbo Diesel
 ERO = Engines - All 4.0L 6 Cyl Gas
 EP0 = ENGINES - ALL 2.5L 4 CYL GAS
 DCB = Transmission - 4-Speed Manual, T3340
 DDQ = 5-Speed Manual Transmission
 DDX = 5-Speed HD Manual Transmission
 DGD = 3-Spd. Automatic 30RH Transmission
 DGK = 4-Spd. Automatic 42RE Transmission
 DGS = 4-Speed Automatic AW4 Transmission
 DGT = 4-Spd. Automatic 46RE Transmission
 DGW = TRANSMISSION - 4-SPD. AUTOMATIC, 44RE
 DGX = 4-Speed Automatic Transmission
 DGY = No Description Available
 DGZ = Transmission- 4-Spd. Automatic, MT643
 DBB = ALL MANUAL TRANSMISSIONS
 DGO = TRANSMISSIONS - ALL AUTOMATIC

AR = use ase required - = Non illustrated part

1998 XJ

Forks AX 5 (DDQ)
Figure AX-910



ITEM	PART NUMBER	QTY	LINE	SERIES	BODY	ENGINE	TRANS	TRIM	DESCRIPTION
						EP0	DDQ		
30		1	J, U						SNAP RING
	83506054	3	B, T			EP0	DDQ		52104546
		3	J, U			EP0	DDQ		52104547
31		1	B, T			EP0	DDQ		SHAFT, Gear Shift Fork, Number 1
	04874510	1	J, U			EP0	DDQ		
32		1	B, T			EP0	DDQ		SHAFT, Gear Shift Fork, Number 2
	83506047	1	J, U			EP0	DDQ		
33		1	B, T			EP0	DDQ		SPRING, Compression Detent
	83500545	3	J, U			EP0	DDQ		
34		3	B, T			EP0	DDQ		GASKET, Shift Lever Housing
	83500521	1	J, U			EP0	DDQ		
35		1	B, T			EP0	DDQ		RETAINER, Control Shift Lever
	04864208	1	J, U			EP0	DDQ		
36		1	B, T			EP0	DDQ		BOLT AND LOCK WASHER, Hex Head, M8x1.25x30
	83500525	4	J, U			EP0	DDQ		
		4	B, T			EP0	DDQ		

CHEROKEE (XJ)

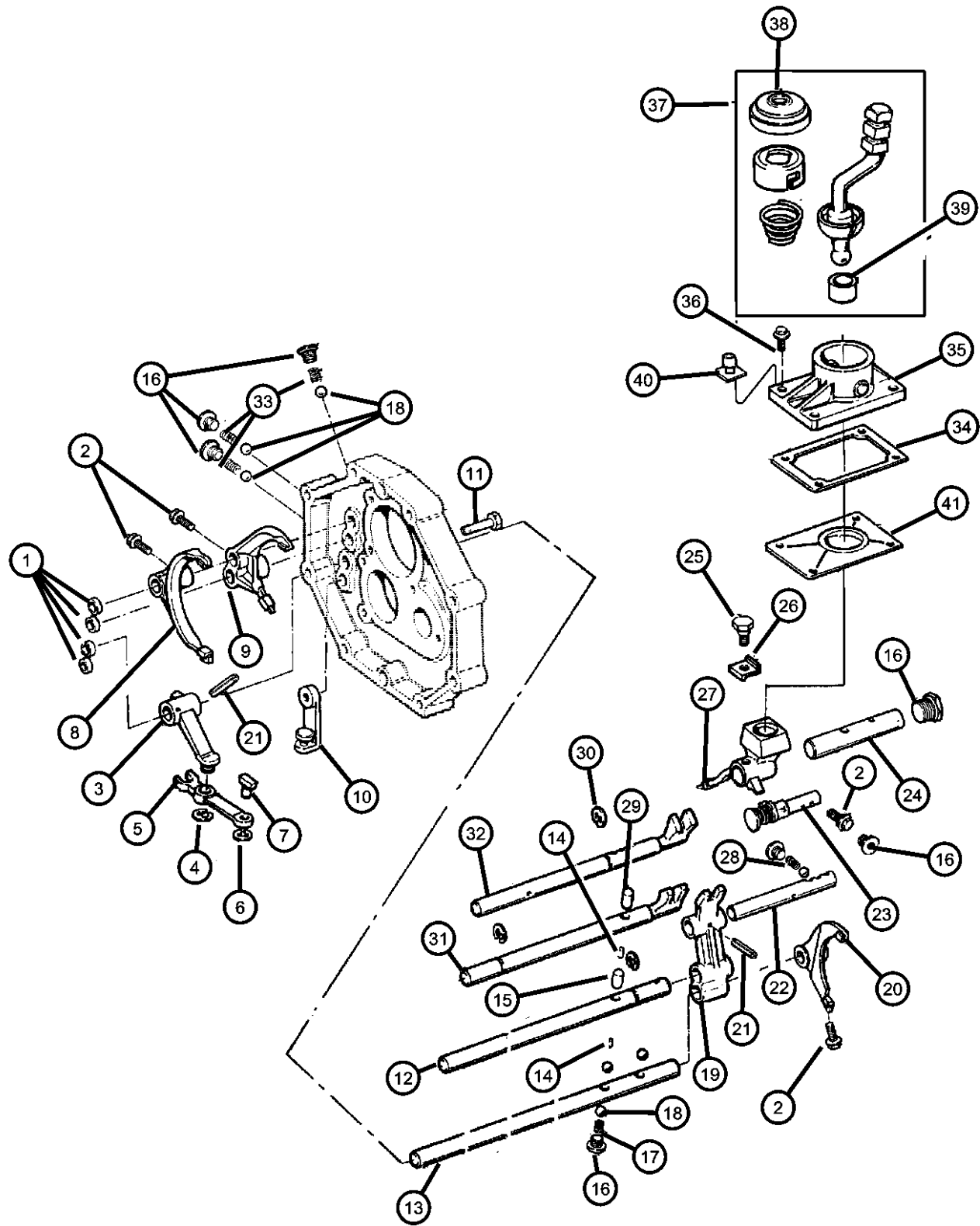
SERIES LINE
 L = LOWLINE B = JEEP - 2WD (RHD)
 U = JEEP - 4WD (RHD)
 T = LHD - (2WD)
 J = JEEP - - LHD (4WD)

BODY
 72 = 2DR (101.4 WB)
 74 = 4 DR (101.4 WB)

ENGINE TRANSMISSION
 ENC = 2.5L 4 Cyl Turbo Diesel Engine
 EPE = Engine - 2.5L Power Tech I-4 Cyl.
 ERH = 4.0L Power Tech I-6 Engine
 ENO = Engines - ALL 4/5 CYL Turbo Diesel
 ERO = Engines - All 4.0L 6 Cyl Gas
 EP0 = ENGINES - ALL 2.5L 4 CYL GAS
 DCB = Transmission - 4-Speed Manual, T3340
 DDQ = 5-Speed Manual Transmission
 DDX = 5-Speed HD Manual Transmission
 DGD = 3-Spd. Automatic 30RH Transmission
 DGK = 4-Spd. Automatic 42RE Transmission
 DGS = 4-Speed Automatic AW4 Transmission
 DGT = 4-Spd. Automatic 46RE Transmission
 DGW = TRANSMISSION - 4-SPD. AUTOMATIC, 44RE
 DGX = 4-Speed Automatic Transmission
 DGY = No Description Available
 DGZ = Transmission- 4-Spd. Automatic, MT643
 DBB = ALL MANUAL TRANSMISSIONS
 DG0 = TRANSMISSIONS - ALL AUTOMATIC

AR = use ase required - = Non illustrated part

Forks AX 5 (DDQ)
Figure AX-910



ITEM	PART NUMBER	QTY	LINE	SERIES	BODY	ENGINE	TRANS	TRIM	DESCRIPTION
37	04874289	1	B, T			EP0	DDQ		LEVER, Gearshift
		1	J, U			EP0	DDQ		
38	83500520	1	B, T			EP0	DDQ		BOOT, Gearshift
		1	J, U			EP0	DDQ		
39	83500519	1	B, T			EP0	DDQ		BUSHING, Shift Lever
		1	J, U			EP0	DDQ		
40	04864215	1	B, T			EP0	DDQ		CAP, Vent
		1	J, U			EP0	DDQ		52104546
41	04864216	1	B, T			EP0	DDQ		SHIELD, Transmission
		1	J, U			EP0	DDQ		52104547

CHEROKEE (XJ)

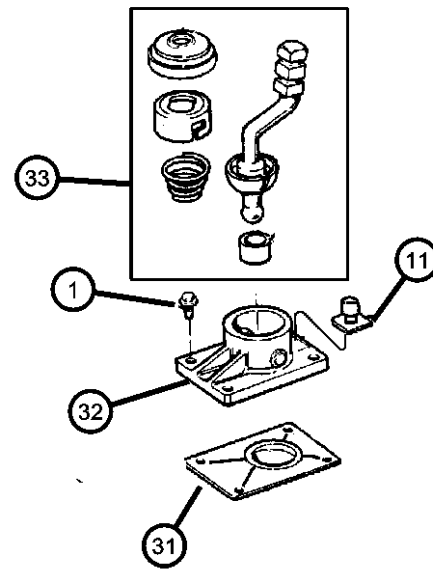
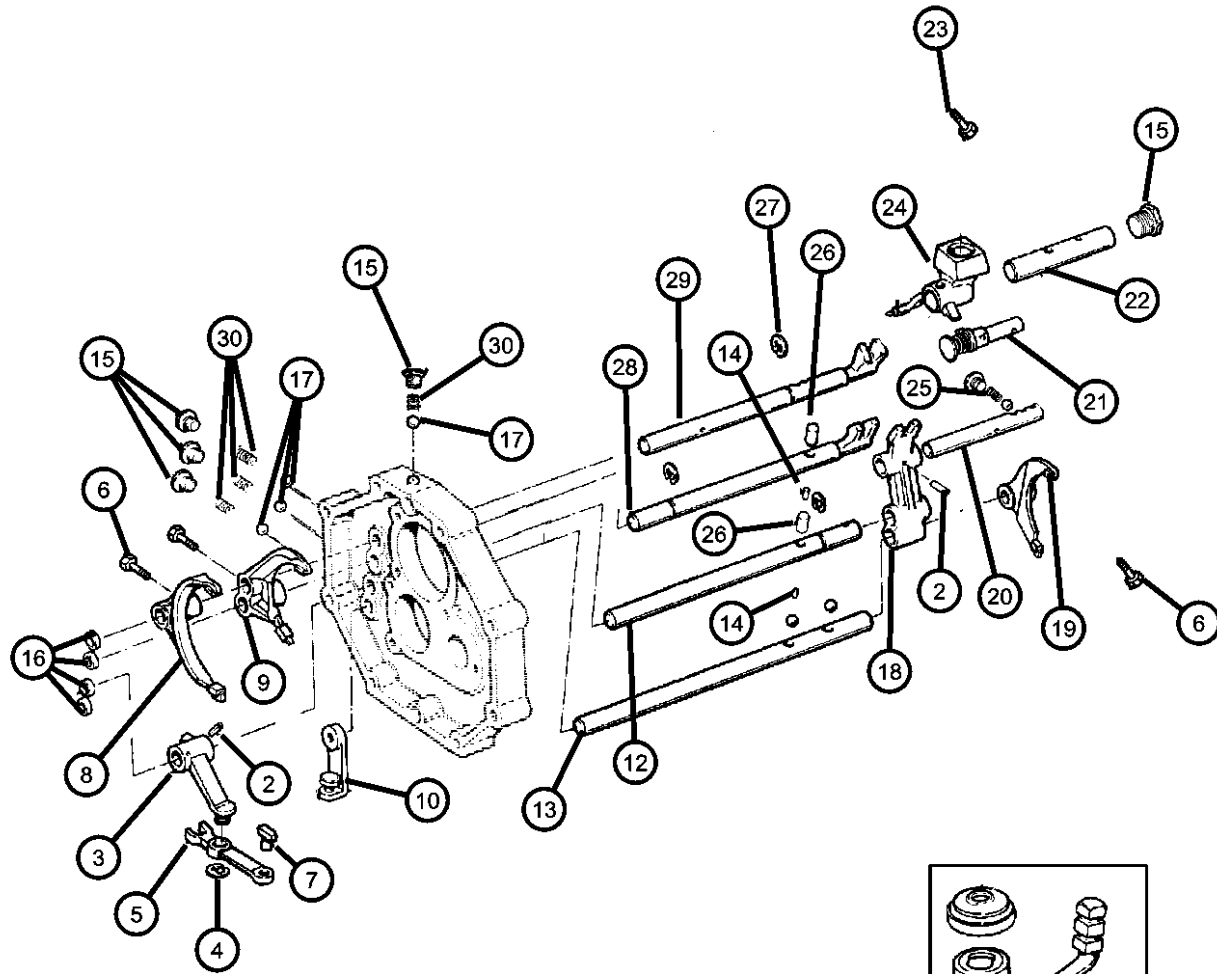
SERIES LINE
 L = LOWLINE B = JEEP - 2WD (RHD)
 U = JEEP - 4WD (RHD)
 T = LHD - (2WD)
 J = JEEP - - LHD (4WD)

BODY
 72 = 2DR (101.4 WB)
 74 = 4 DR (101.4 WB)

ENGINE TRANSMISSION
 ENC = 2.5L 4 Cyl Turbo Diesel Engine
 EPE = Engine - 2.5L Power Tech I-4 Cyl.
 ERH = 4.0L Power Tech I-6 Engine
 ENO = Engines - ALL 4/5 CYL Turbo Diesel
 ERO = Engines - All 4.0L 6 Cyl Gas
 EP0 = ENGINES - ALL 2.5L 4 CYL GAS
 DCB = Transmission - 4-Speed Manual,T3340
 DDQ = 5-Speed Manual Transmission
 DDX = 5-Speed HD Manual Transmission
 DGD = 3-Spd. Automatic 30RH Transmission
 DGK = 4-Spd. Automatic 42RE Transmission
 DGS = 4-Speed Automatic AW4 Transmission
 DGT = 4-Spd. Automatic 46RE Transmission
 DGW = TRANSMISSION - 4-SPD. AUTOMATIC,44RE
 DGX = 4-Speed Automatic Transmission
 DGY = No Description Available
 DGZ = Transmission- 4-Spd. Automatic,MT643
 DBB = ALL MANUAL TRANSMISSIONS
 DGO = TRANSMISSIONS - ALL AUTOMATIC

AR = use ase required - = Non illustrated part

Forks AX 15 (DDQ)
Figure AX-915



ITEM	PART NUMBER	QTY	LINE	SERIES	BODY	ENGINE	TRANS	TRIM	DESCRIPTION
Notes: DDQ = 5 Speed Manual Transmission ER0 = All 4.0L 6 Cylinder Gas Engines ENC = 2.5L 4 Cylinder Turbo Diesel Engine									
1									BOLT AND LOCK WASHER, Hex Head, M8x1.25x30
	83500525	4	J, U			ER0	DDQ		52108047AB
		4	B, T			ER0			52108048AB
		4	J, U			ENC			52108121AB
2									PIN, Shift Shaft
	83500540	AR	J, U			ER0	DDQ		52108047AB
		AR	B, T			ER0			52108048AB
		AR	J, U			ENC			52108121AB
3									FORK, Transmission
	05252056	1	J, U			ER0	DDQ		52108047AB
		1	B, T			ER0	DDQ		52108048AB
		1	J, U			ENC	DDQ		52108121AB
4									SNAP RING
	83500548	1	J, U			ER0	DDQ		52108047AB
		1	B, T			ER0	DDQ		52108048AB
		1	J, U			ENC	DDQ		52108121AB
5									ARM, Reverse Shift
	05252060	1	J, U			ER0	DDQ		52108047AB
		1	B, T			ER0	DDQ		52108048AB

CHEROKEE (XJ)

SERIES

L = LOWLINE

LINE

B = JEEP - 2WD (RHD)

U = JEEP - 4WD (RHD)

T = LHD - (2WD)

J = JEEP - - LHD (4WD)

BODY

72 = 2DR (101.4 WB)

74 = 4 DR (101.4 WB)

ENGINE

ENC = 2.5L 4 Cyl Turbo Diesel Engine

EPE = Engine - 2.5L Power Tech I-4 Cyl.

ERH = 4.0L Power Tech I-6 Engine

ENO = Engines - ALL 4/5 CYL Turbo Diesel

ER0 = Engines - All 4.0L 6 Cyl Gas

EPO = ENGINES - ALL 2.5L 4 CYL GAS

TRANSMISSION

DCB = Transmission - 4-Speed Manual, T3340

DDQ = 5-Speed Manual Transmission

DDX = 5-Speed HD Manual Transmission

DGD = 3-Spd. Automatic 30RH Transmission

DGK = 4-Spd. Automatic 42RE Transmission

DGS = 4-Speed Automatic AW4 Transmission

DGT = 4-Spd. Automatic 46RE Transmission

DGW = TRANSMISSION - 4-SPD. AUTOMATIC, 44RE

DGX = 4-Speed Automatic Transmission

DGY = No Description Available

DGZ = Transmission- 4-Spd. Automatic, MT643

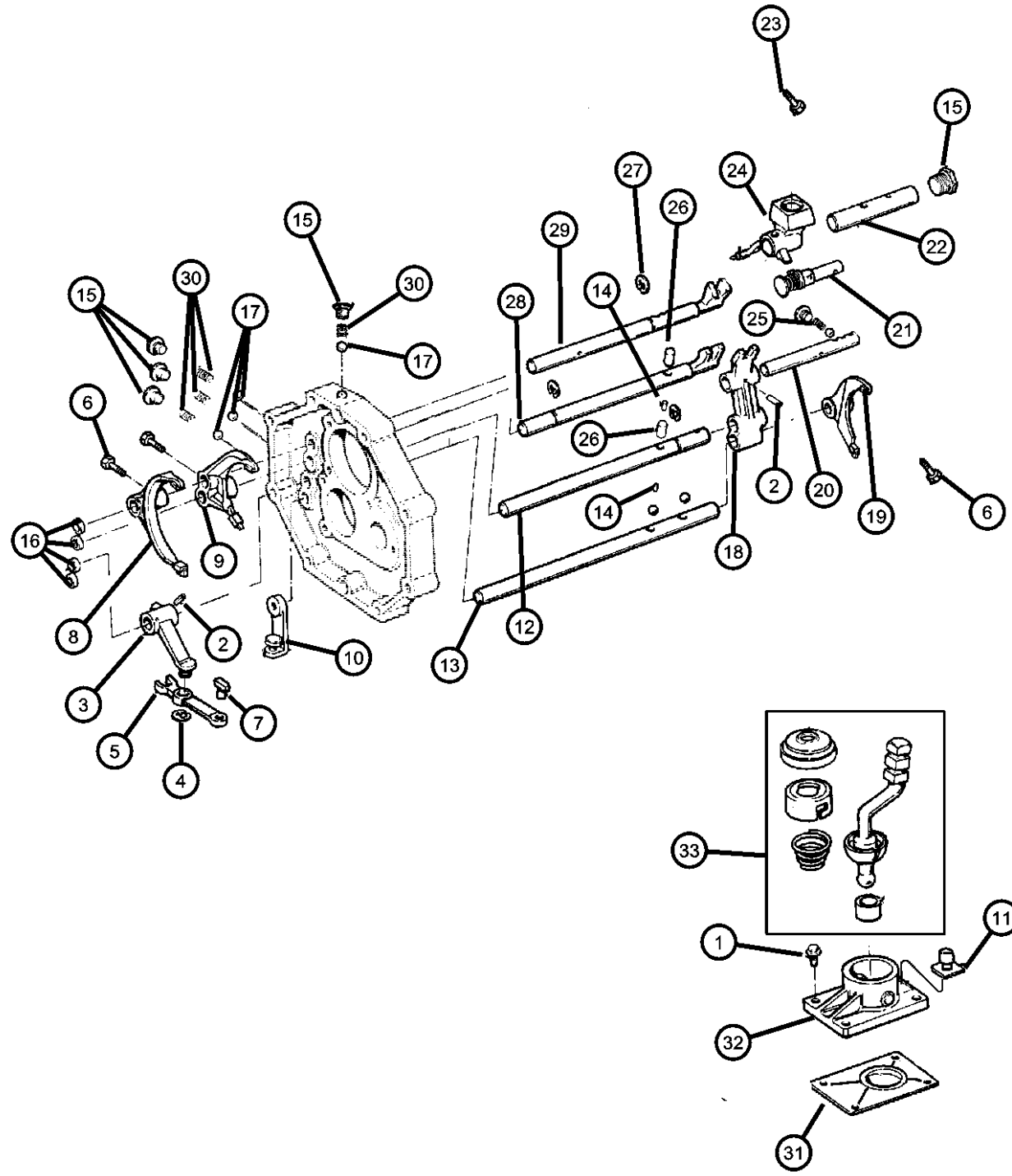
DBB = ALL MANUAL TRANSMISSIONS

DG0 = TRANSMISSIONS - ALL AUTOMATIC

AR = use ase required - = Non illustrated part

1998 XJ

Forks AX 15 (DDQ)
Figure AX-915



ITEM	PART NUMBER	QTY	LINE	SERIES	BODY	ENGINE	TRANS	TRIM	DESCRIPTION
6		1	J, U			ENC	DDQ		52108121AB BOLT AND WASHER, Gear Shift Fork
	05252214	3	J, U			ER0	DDQ		52108047AB
		3	B, T			ER0			52108048AB
		3	J, U			ENC			52108121AB
7									SHOE, Shift Lever
	05252062	1	J, U			ER0	DDQ		52108047AB
		1	B, T			ER0	DDQ		52108048AB
		1	J, U			ENC	DDQ		52108121AB
8									FORK, Transmission
	05252058	1	J, U			ER0	DDQ		52108047AB
		1	B, T			ER0	DDQ		52108048AB
		1	J, U			ENC	DDQ		52108121AB
9									FORK, Transmission
	05252057	1	J, U			ER0	DDQ		52108047AB
		1	B, T			ER0	DDQ		52108048AB
		1	J, U			ENC	DDQ		52108121AB
10									BRACKET, Reverse Shift Rod
	05252063	1	J, U			ER0	DDQ		52108047AB
		1	B, T			ER0	DDQ		52108048AB
		1	J, U			ENC	DDQ		52108121AB
11									CAP, Vent

CHEROKEE (XJ)

SERIES

L = LOWLINE

LINE

B = JEEP - 2WD (RHD)
U = JEEP - 4WD (RHD)
T = LHD - (2WD)
J = JEEP - - LHD (4WD)

BODY

72 = 2DR (101.4 WB)
74 = 4 DR (101.4 WB)

ENGINE

ENC = 2.5L 4 Cyl Turbo Diesel Engine
EPE = Engine - 2.5L Power Tech I-4 Cyl.
ERH = 4.0L Power Tech I-6 Engine
ENO = Engines - ALL 4/5 CYL Turbo Diesel
ERO = Engines - All 4.0L 6 Cyl Gas
EPO = ENGINES - ALL 2.5L 4 CYL GAS

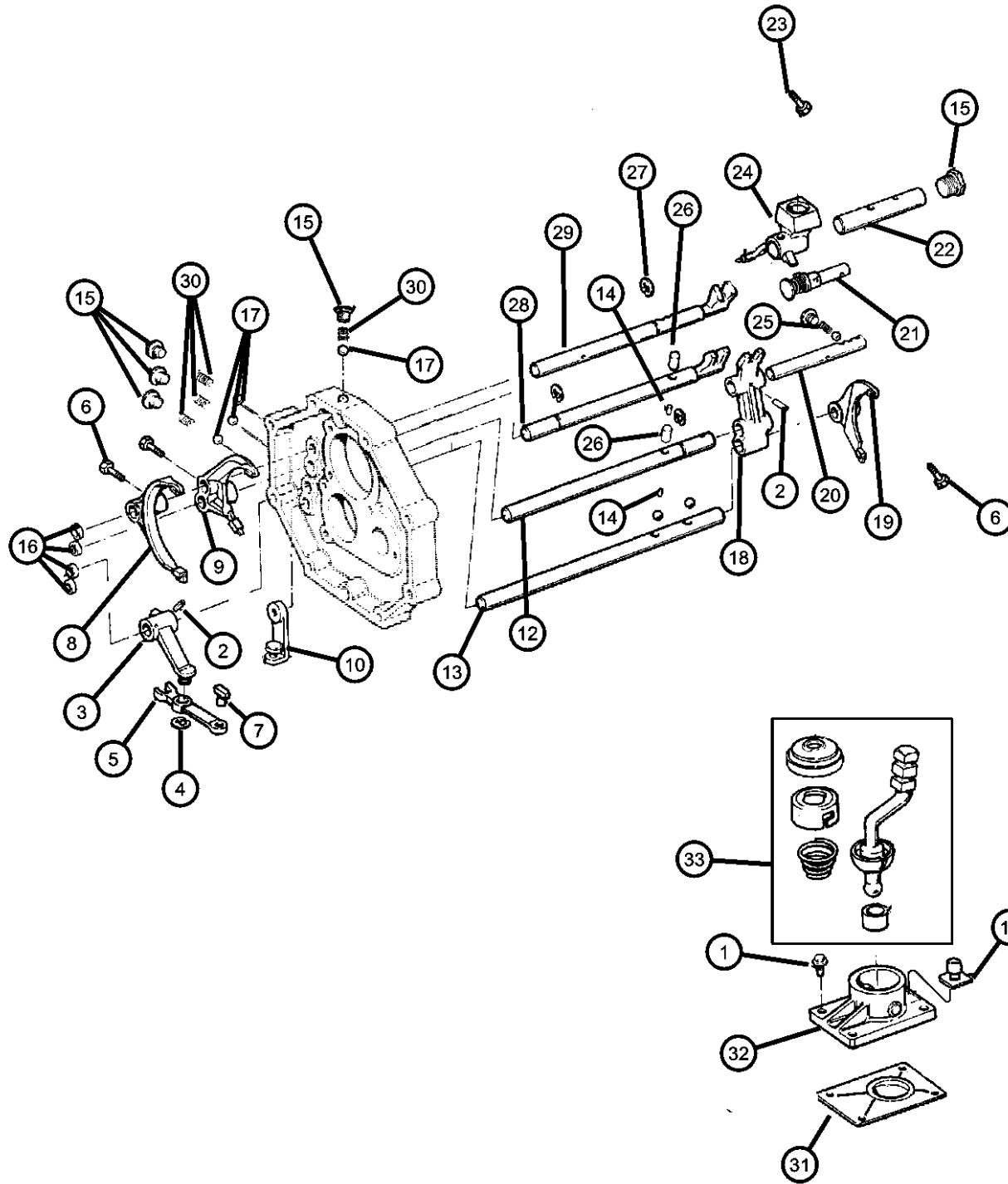
TRANSMISSION

DCB = Transmission - 4-Speed Manual, T3340
DDQ = 5-Speed Manual Transmission
DDX = 5-Speed HD Manual Transmission
DGD = 3-Spd. Automatic 30RH Transmission
DGK = 4-Spd. Automatic 42RE Transmission
DGS = 4-Speed Automatic AW4 Transmission
DGT = 4-Spd. Automatic 46RE Transmission
DGW = TRANSMISSION - 4-SPD. AUTOMATIC, 44RE
DGX = 4-Speed Automatic Transmission
DGY = No Description Available
DGZ = Transmission- 4-Spd. Automatic, MT643
DBB = ALL MANUAL TRANSMISSIONS
DGO = TRANSMISSIONS - ALL AUTOMATIC

AR = use ase required - = Non illustrated part

1998 XJ

Forks AX 15 (DDQ)
Figure AX-915



ITEM	PART NUMBER	QTY	LINE	SERIES	BODY	ENGINE	TRANS	TRIM	DESCRIPTION
	04864223	1	J, U			ER0	DDQ		52108047AB
		1	B, T			ER0	DDQ		52108048AB
		1	J, U			ENC	DDQ		52108121AB
12	05252070	1	J, U			ER0	DDQ		52108047AB
		1	B, T			ER0	DDQ		52108048AB
		1	J, U			ENC	DDQ		52108121AB
13	05252071	1	J, U			ER0	DDQ		52108047AB
		1	B, T			ER0	DDQ		52108048AB
		1	J, U			ENC	DDQ		52108121AB
14	83500537	2	J, U			ER0	DDQ		52108047AB
		2	B, T			ER0			52108048AB
		2	J, U			ENC			52108121AB
15	83503109	AR	J, U			ER0	DDQ		52108047AB
		AR	B, T			ER0	DDQ		52108048AB
		AR	J, U			ENC	DDQ		52108121AB
16	83500503	4	B, T			ER0	DDQ		52108048AB
		4	J, U			ENC	DDQ		52108121AB

CHEROKEE (XJ)

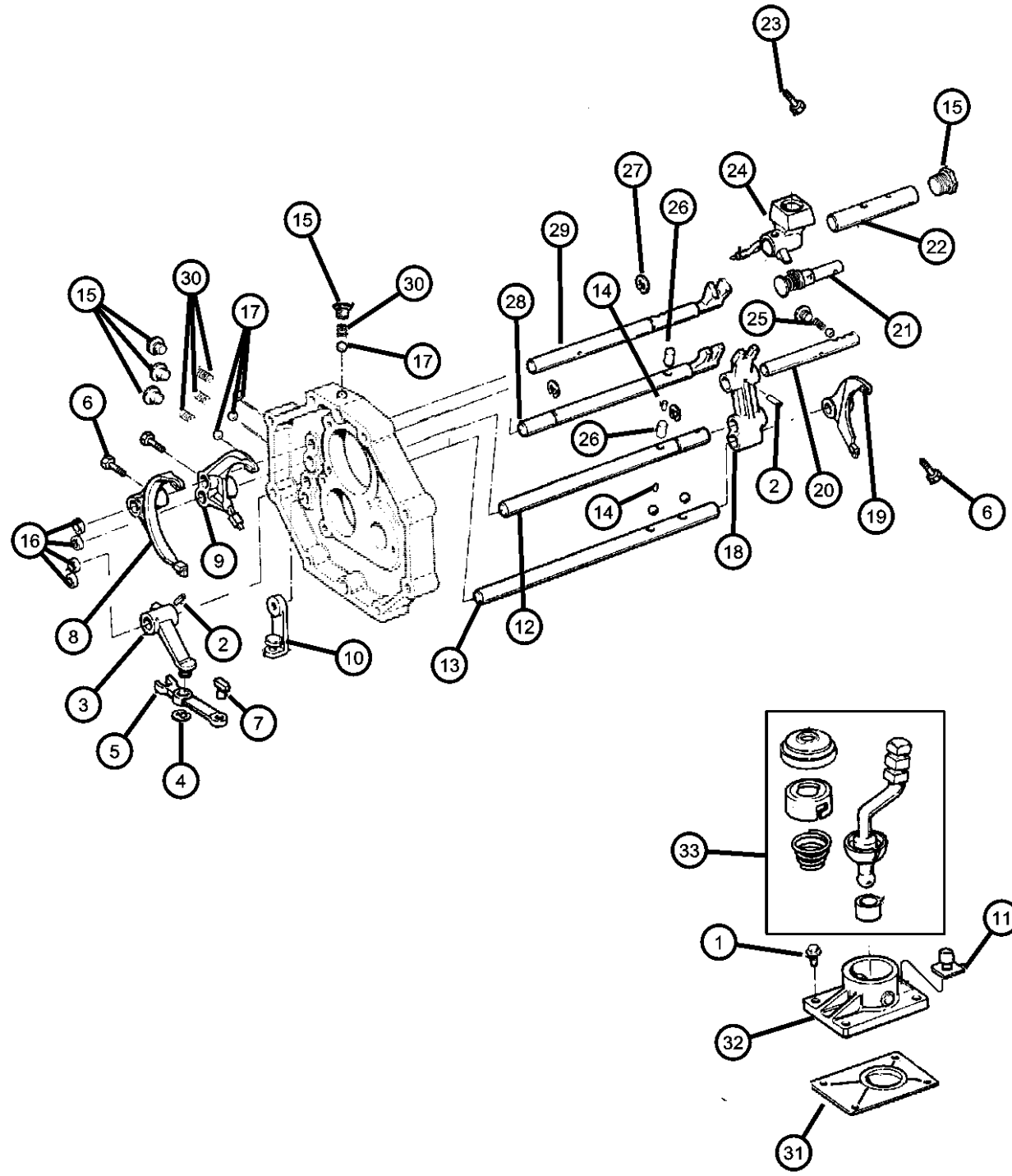
SERIES LINE
 L = LOWLINE B = JEEP - 2WD (RHD)
 U = JEEP - 4WD (RHD)
 T = LHD - (2WD)
 J = JEEP - - LHD (4WD)

BODY
 72 = 2DR (101.4 WB)
 74 = 4 DR (101.4 WB)

ENGINE TRANSMISSION
 ENC = 2.5L 4 Cyl Turbo Diesel Engine
 EPE = Engine - 2.5L Power Tech I-4 Cyl.
 ERH = 4.0L Power Tech I-6 Engine
 ENO = Engines - ALL 4/5 CYL Turbo Diesel
 ERO = Engines - All 4.0L 6 Cyl Gas
 EPO = ENGINES - ALL 2.5L 4 CYL GAS
 DCB = Transmission - 4-Speed Manual, T3340
 DDQ = 5-Speed Manual Transmission
 DDX = 5-Speed HD Manual Transmission
 DGD = 3-Spd. Automatic 30RH Transmission
 DGK = 4-Spd. Automatic 42RE Transmission
 DGS = 4-Speed Automatic AW4 Transmission
 DGT = 4-Spd. Automatic 46RE Transmission
 DGW = TRANSMISSION - 4-SPD. AUTOMATIC, 44RE
 DGX = 4-Speed Automatic Transmission
 DGY = No Description Available
 DGZ = Transmission- 4-Spd. Automatic, MT643
 DBB = ALL MANUAL TRANSMISSIONS
 DGO = TRANSMISSIONS - ALL AUTOMATIC

AR = use ase required - = Non illustrated part

Forks AX 15 (DDQ)
Figure AX-915



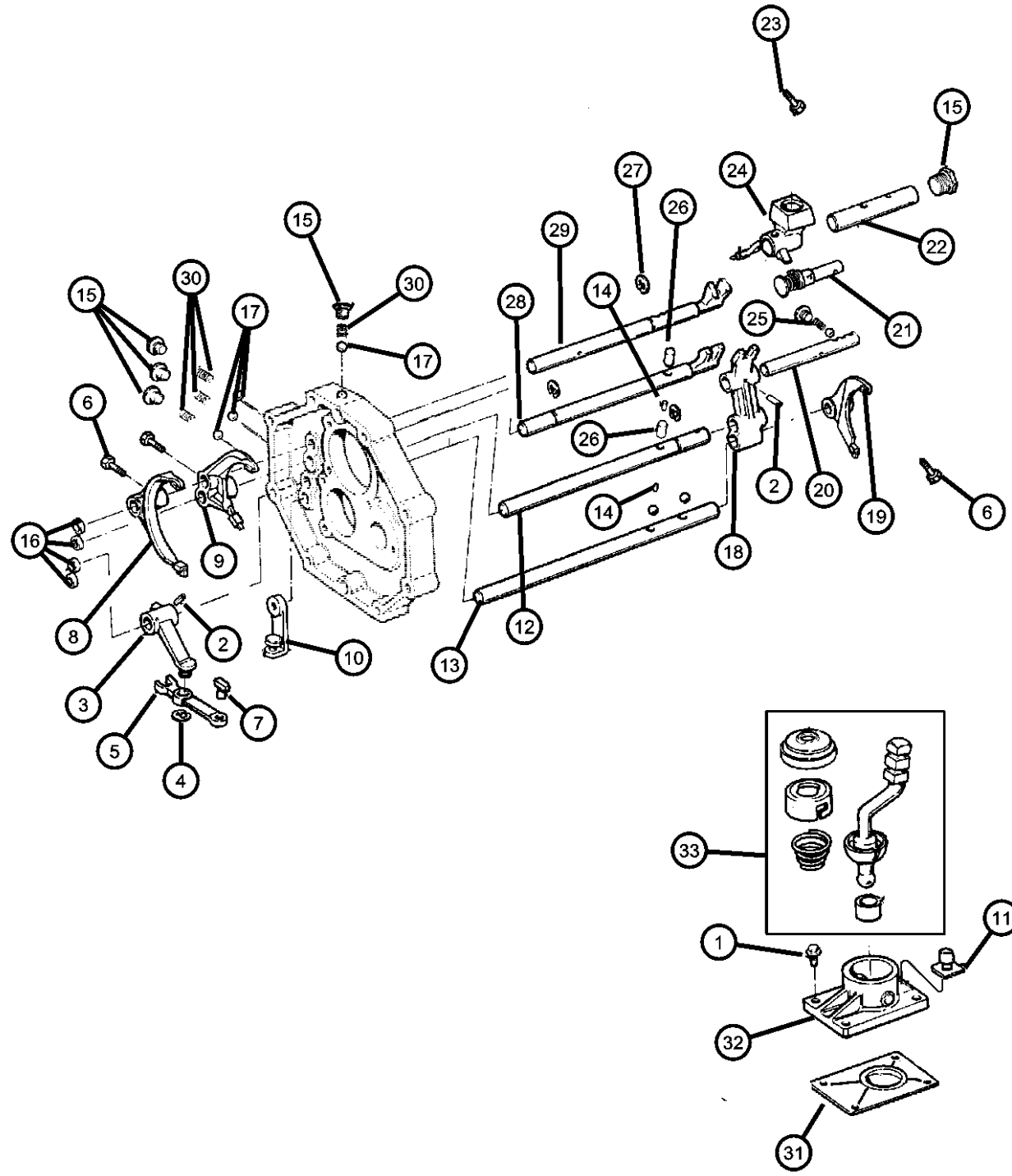
ITEM	PART NUMBER	QTY	LINE	SERIES	BODY	ENGINE	TRANS	TRIM	DESCRIPTION
17		4	J, U			ER0	DDQ		52108047AB BALL, Gearshift Fork Lock
	83500542	7	J, U			ER0	DDQ		52108047AB
		7	B, T			ER0			52108048AB
		7	J, U			ENC			52108121AB
18									HEAD, Shifter Shaft
	05252064	1	J, U			ER0	DDQ		52108047AB
		1	B, T			ER0	DDQ		52108048AB
		1	J, U			ENC	DDQ		52108121AB
19									FORK, Transmission
	05252059	1	J, U			ER0	DDQ		52108047AB
		1	B, T			ER0	DDQ		52108048AB
		1	J, U			ENC	DDQ		52105121AB
20									SHAFT, Gear Shift Fork, Number 5
	05252065	1	J, U			ER0	DDQ		52108047AB
		1	B, T			ER0	DDQ		52108048AB
		1	J, U			ENC	DDQ		52108121AB
21									PIN, Reverse
	83500635	1	J, U			ER0	DDQ		52108047AB
		1	B, T			ER0	DDQ		52108048AB
		1	J, U			ENC	DDQ		52108121AB
22									SHAFT, Shift Lever

CHEROKEE (XJ)

SERIES	LINE	BODY	ENGINE	TRANSMISSION
L = LOWLINE	B = JEEP - 2WD (RHD) U = JEEP - 4WD (RHD) T = LHD - (2WD) J = JEEP - - LHD (4WD)	72 = 2DR (101.4 WB) 74 = 4 DR (101.4 WB)	ENC = 2.5L 4 Cyl Turbo Diesel Engine EPE = Engine - 2.5L Power Tech I-4 Cyl. ERH = 4.0L Power Tech I-6 Engine ENO = Engines - ALL 4/5 CYL Turbo Diesel ERO = Engines - All 4.0L 6 Cyl Gas EPO = ENGINES - ALL 2.5L 4 CYL GAS	DCB = Transmission - 4-Speed Manual, T3340 DDQ = 5-Speed Manual Transmission DDX = 5-Speed HD Manual Transmission DGD = 3-Spd. Automatic 30RH Transmission DGK = 4-Spd. Automatic 42RE Transmission DGS = 4-Speed Automatic AW4 Transmission DGT = 4-Spd. Automatic 46RE Transmission DGW = TRANSMISSION - 4-SPD. AUTOMATIC, 44RE DGX = 4-Speed Automatic Transmission DGY = No Description Available DGZ = Transmission- 4-Spd. Automatic, MT643 DBB = ALL MANUAL TRANSMISSIONS DGO = TRANSMISSIONS - ALL AUTOMATIC

AR = use ase required - = Non illustrated part

Forks AX 15 (DDQ)
Figure AX-915



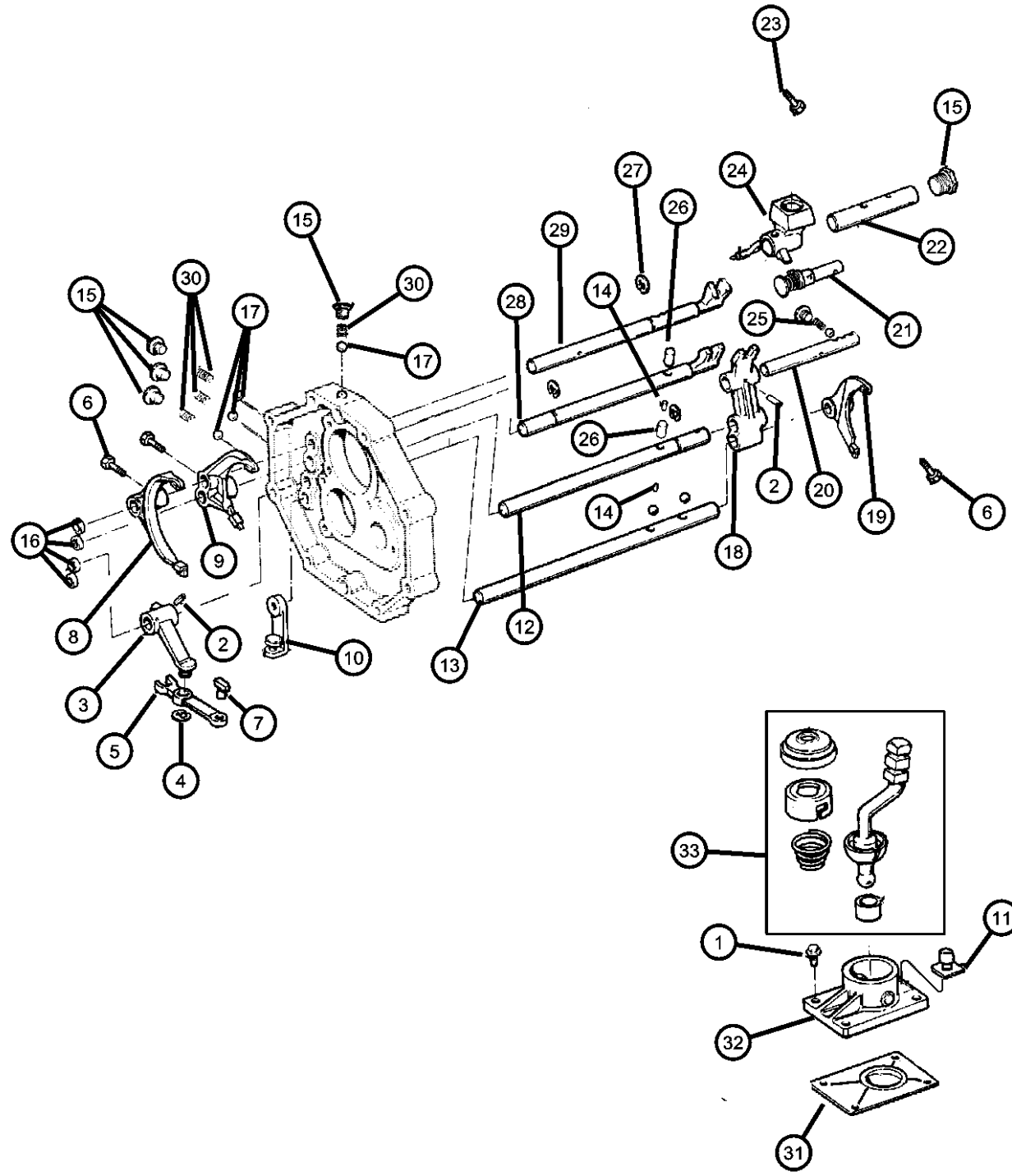
ITEM	PART NUMBER	QTY	LINE	SERIES	BODY	ENGINE	TRANS	TRIM	DESCRIPTION
	05252037	1	J, U			ER0	DDQ		52108047AB
		1	B, T			ER0	DDQ		52108048AB
		1	J, U			ENC	DDQ		52108121AB
23									BOLT, Hex Head, M8x1.25x22
	34201373	1	J, U			ER0	DDQ		52108047AB
		1	B, T			ER0	DDQ		52108048AB
		1	J, U			ENC	DDQ		52108121AB
24									HOUSING, Shift Lever
	05252041	1	J, U			ER0	DDQ		52108047AB
		1	B, T			ER0	DDQ		52108048AB
		1	J, U			ENC	DDQ		52108121AB
25									SPRING, Compression
	83500544	1	J, U			ER0	DDQ		52108047AB
		1	B, T			ER0	DDQ		52108048AB
		1	J, U			ENC	DDQ		52108121AB
26									PIN, Interlock, 30.3mm
	83500543	2	J, U			ER0	DDQ		52108047AB
		2	B, T			ER0			52108048AB
		2	J, U			ENC			52108121AB
27									SNAP RING
	05252076	3	J, U			ER0	DDQ		52108047AB
		3	B, T			ER0			52108048AB

CHEROKEE (XJ)

SERIES	LINE	BODY	ENGINE	TRANSMISSION
L = LOWLINE	B = JEEP - 2WD (RHD) U = JEEP - 4WD (RHD) T = LHD - (2WD) J = JEEP - - LHD (4WD)	72 = 2DR (101.4 WB) 74 = 4 DR (101.4 WB)	ENC = 2.5L 4 Cyl Turbo Diesel Engine EPE = Engine - 2.5L Power Tech I-4 Cyl. ERH = 4.0L Power Tech I-6 Engine ENO = Engines - ALL 4/5 CYL Turbo Diesel ERO = Engines - All 4.0L 6 Cyl Gas EPO = ENGINES - ALL 2.5L 4 CYL GAS	DCB = Transmission - 4-Speed Manual,T3340 DDQ = 5-Speed Manual Transmission DDX = 5-Speed HD Manual Transmission DGD = 3-Spd. Automatic 30RH Transmission DGK = 4-Spd. Automatic 42RE Transmission DGS = 4-Speed Automatic AW4 Transmission DGT = 4-Spd. Automatic 46RE Transmission DGW = TRANSMISSION - 4-SPD. AUTOMATIC,44RE DGX = 4-Speed Automatic Transmission DGY = No Description Available DGZ = Transmission- 4-Spd. Automatic,MT643 DBB = ALL MANUAL TRANSMISSIONS DGO = TRANSMISSIONS - ALL AUTOMATIC

AR = use ase required - = Non illustrated part

Forks AX 15 (DDQ)
Figure AX-915



ITEM	PART NUMBER	QTY	LINE	SERIES	BODY	ENGINE	TRANS	TRIM	DESCRIPTION
		3	J, U			ENC			52108121AB
28	05252066	1	J, U			ER0	DDQ		SHAFT, Gear Shift Fork, Number 1
		1	B, T			ER0	DDQ		52108047AB
		1	J, U			ENC	DDQ		52108048AB
29	05252068	1	J, U			ER0	DDQ		SHAFT, Gear Shift Fork, Number 2
		1	B, T			ER0	DDQ		52108047AB
		1	J, U			ENC	DDQ		52108048AB
30	05252075	4	J, U			ER0	DDQ		SPRING, Compression
		4	B, T			ER0			52108047AB
		4	J, U			ENC			52108048AB
31	04864224	1	J, U			ER0	DDQ		SHIELD, Transmission
		1	B, T			ER0	DDQ		52108047AB
		1	J, U			ENC	DDQ		52108048AB
32	04864221	1	B, T			ER0	DDQ		RETAINER, Control Shift Lever
		1	J, U			ER0	DDQ		52108047AB
		1	J, U			ENC	DDQ		52108121AB
33									LEVER, Gearshift

CHEROKEE (XJ)

SERIES LINE
 L = LOWLINE B = JEEP - 2WD (RHD)
 U = JEEP - 4WD (RHD)
 T = LHD - (2WD)
 J = JEEP - - LHD (4WD)

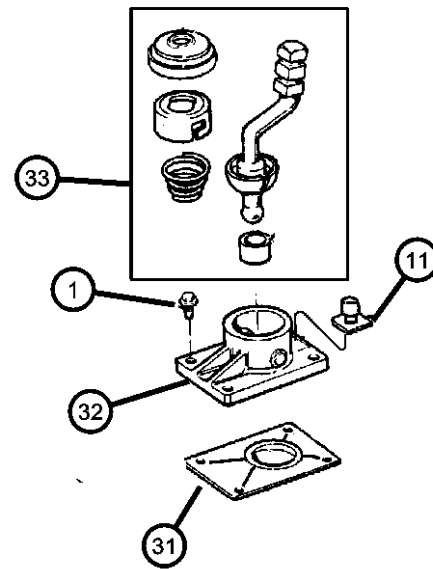
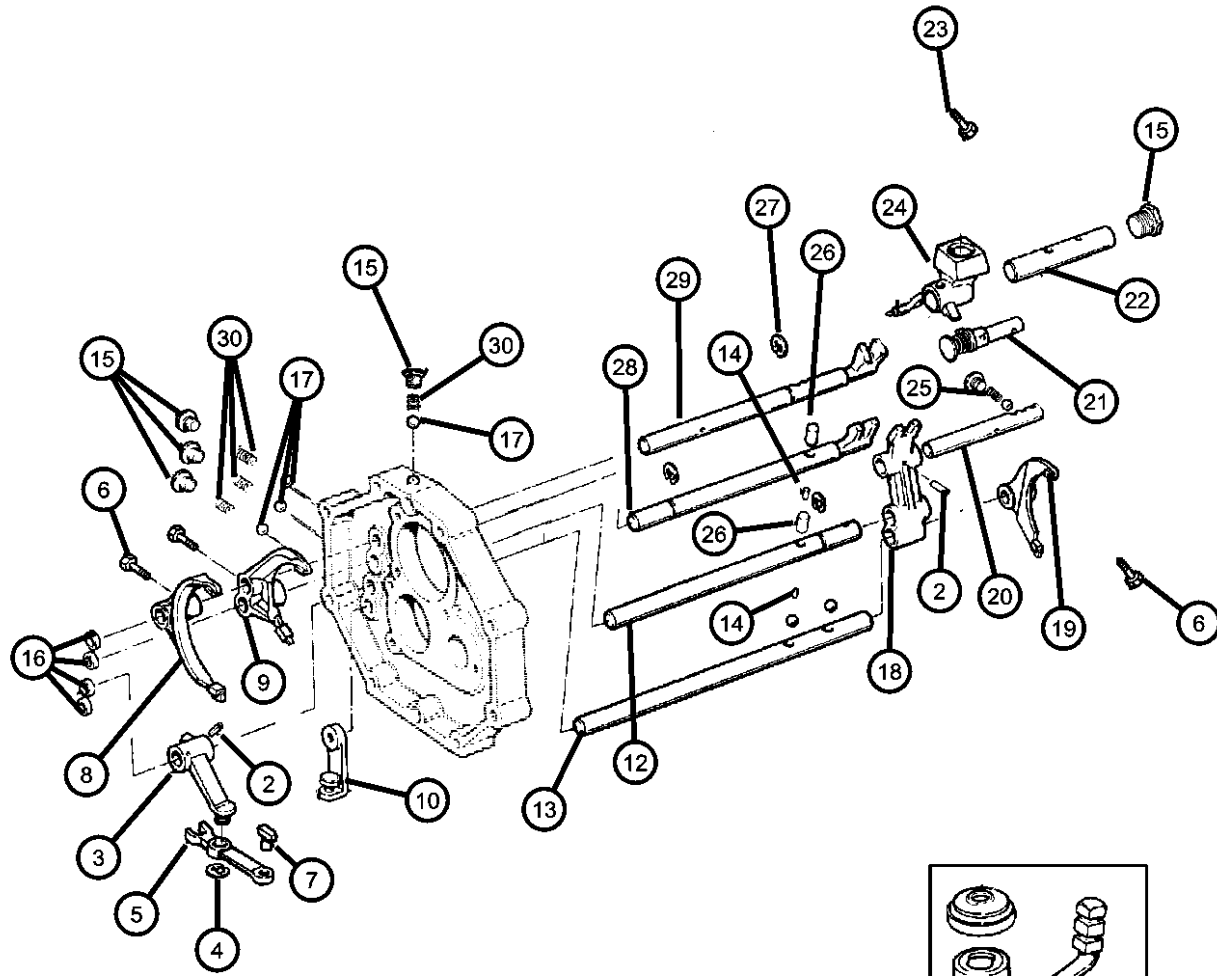
BODY
 72 = 2DR (101.4 WB)
 74 = 4 DR (101.4 WB)

ENGINE TRANSMISSION
 ENC = 2.5L 4 Cyl Turbo Diesel Engine
 EPE = Engine - 2.5L Power Tech I-4 Cyl.
 ERH = 4.0L Power Tech I-6 Engine
 ENO = Engines - ALL 4/5 CYL Turbo Diesel
 ERO = Engines - All 4.0L 6 Cyl Gas
 EPO = ENGINES - ALL 2.5L 4 CYL GAS
 DCB = Transmission - 4-Speed Manual, T3340
 DDQ = 5-Speed Manual Transmission
 DDX = 5-Speed HD Manual Transmission
 DGD = 3-Spd. Automatic 30RH Transmission
 DGK = 4-Spd. Automatic 42RE Transmission
 DGS = 4-Speed Automatic AW4 Transmission
 DGT = 4-Spd. Automatic 46RE Transmission
 DGW = TRANSMISSION - 4-SPD. AUTOMATIC, 44RE
 DGX = 4-Speed Automatic Transmission
 DGY = No Description Available
 DGZ = Transmission- 4-Spd. Automatic, MT643
 DBB = ALL MANUAL TRANSMISSIONS
 DGO = TRANSMISSIONS - ALL AUTOMATIC

AR = use ase required - = Non illustrated part

Forks AX 15 (DDQ)
Figure AX-915

ITEM	PART NUMBER	QTY	LINE	SERIES	BODY	ENGINE	TRANS	TRIM	DESCRIPTION
	04874290	1	J, U			ENC	DDQ		52108121AB
	05252042	1	J, U			ER0	DDQ		52108047AB
		1	B, T			ER0	DDQ		52108048AB



CHEROKEE (XJ)

SERIES LINE
 L = LOWLINE B = JEEP - 2WD (RHD)
 U = JEEP - 4WD (RHD)
 T = LHD - (2WD)
 J = JEEP - - LHD (4WD)

BODY
 72 = 2DR (101.4 WB)
 74 = 4 DR (101.4 WB)

ENGINE TRANSMISSION
 ENC = 2.5L 4 Cyl Turbo Diesel Engine DCB = Transmission - 4-Speed Manual, T3340
 EPE = Engine - 2.5L Power Tech I-4 Cyl. DDQ = 5-Speed Manual Transmission
 ERH = 4.0L Power Tech I-6 Engine DDX = 5-Speed HD Manual Transmission
 ENO = Engines - ALL 4/5 CYL Turbo Diesel DGD = 3-Spd. Automatic 30RH Transmission
 ERO = Engines - All 4.0L 6 Cyl Gas DGK = 4-Spd. Automatic 42RE Transmission
 EPO = ENGINES - ALL 2.5L 4 CYL GAS DGS = 4-Speed Automatic AW4 Transmission
 DGT = 4-Spd. Automatic 46RE Transmission
 DGW = TRANSMISSION - 4-SPD. AUTOMATIC, 44RE
 DGX = 4-Speed Automatic Transmission
 DGY = No Description Available
 DGZ = Transmission- 4-Spd. Automatic, MT643
 DBB = ALL MANUAL TRANSMISSIONS
 DGO = TRANSMISSIONS - ALL AUTOMATIC

AR = use ase required - = Non illustrated part

Group - 231

Transfer Case Model 231 [DHJ, DHK, DHN]

Group - 231 Transfer Case Model 231 [DHJ, DHK, DHN]

Illustration Title

Group-Fig. No.

Transfer Case Assembly

Transfer Case Command Trac (DHN) Fig. 231 - 110

Case and Related Parts

Case and Related Parts Command Trac (DHN) Fig. 231 - 210

Gear Train

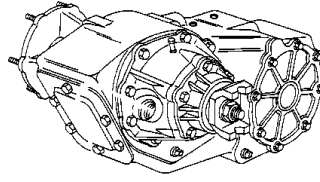
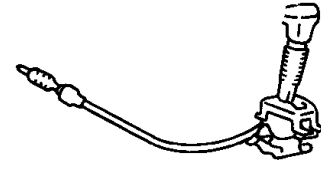
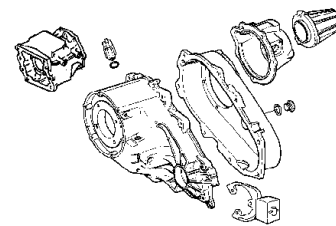
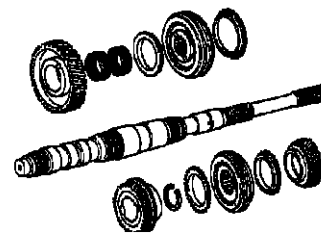
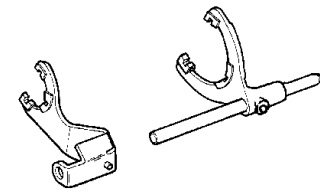
Gear Train Command Trac (DHN) Fig. 231 - 410

Fork and Rails

Fork and Rails Command Trac (DHN) Fig. 231 - 910

Gearshift Controls

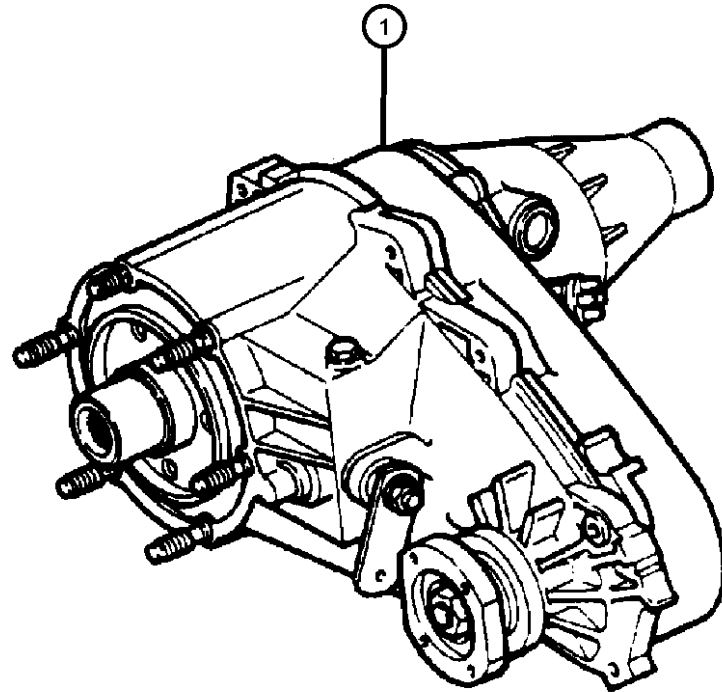
Gearshift Controls Command Trac (DHN) Fig. 231 - 1220

<p>231-100 Transfer Case Assembly</p> 	<p>231-1200 Gearshift Controls</p> 	<p>231-200 Case and Related Parts</p> 	<p>231-400 Gear Train</p> 
<p>231-900 Fork and Rails</p> 			

**Transfer Case Command Trac (DHN)
Figure 231-110**

ITEM	PART NUMBER	QTY	LINE	SERIES	BODY	ENGINE	TRANS	TRIM	DESCRIPTION
1									TRANSFER CASE, NV231
	52098913	1	J, U			EN0	DDQ		Mopar Reman Manual Transmission
	R2098913								Mopar Remanufactured Part
	52099212	1	J, U			ER0			Mopar Remanufactured Part
	R2099212								Mopar Remanufactured Part
	52099310	1	J, U			EP0	DDQ		Mopar Remanufactured Part
	R2099310								Mopar Remanufactured Part

Notes:
 EP0= All 2.5L, 4 Cylinder, Gas Engine
 ER0= All 4.0L., 6 Cylinder, Gas Engine
 EN0= All 4/5 Cylinder, Turbo Diesel Engine
 DDQ = 5 Speed Manual Transmission

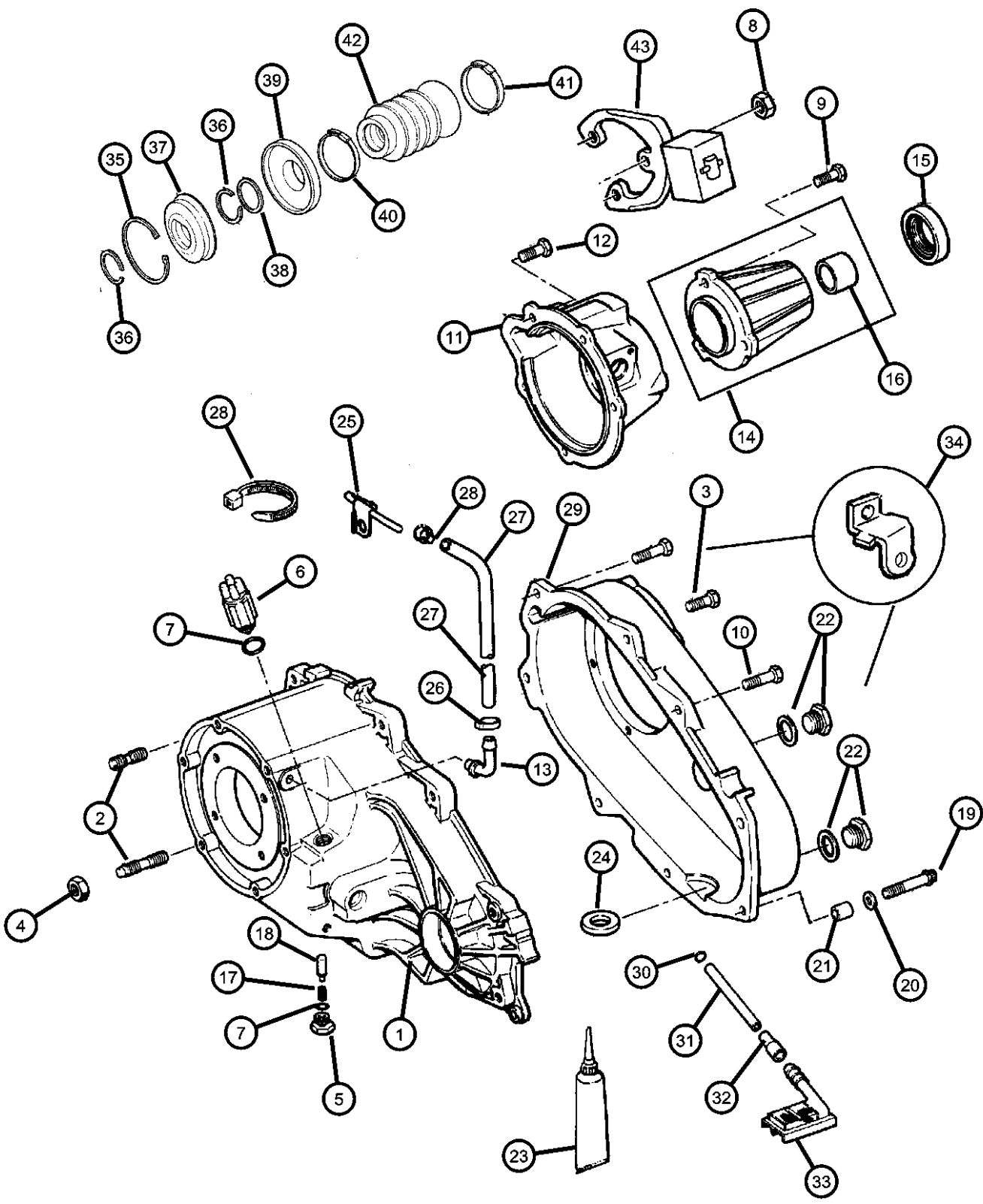


CHEROKEE (XJ)

SERIES	LINE	BODY	ENGINE	TRANSMISSION
L = LOWLINE	B = JEEP - 2WD (RHD) U = JEEP - 4WD (RHD) T = LHD - (2WD) J = JEEP - - LHD (4WD)	72 = 2DR (101.4 WB) 74 = 4 DR (101.4 WB)	ENC = 2.5L 4 Cyl Turbo Diesel Engine EPE = Engine - 2.5L Power Tech I-4 Cyl. ERH = 4.0L Power Tech I-6 Engine ENO = Engines - ALL 4/5 CYL Turbo Diesel ERO = Engines - All 4.0L 6 Cyl Gas EP0 = ENGINES - ALL 2.5L 4 CYL GAS	DCB = Transmission - 4-Speed Manual,T3340 DDQ = 5-Speed Manual Transmission DDX = 5-Speed HD Manual Transmission DGD = 3-Spd. Automatic 30RH Transmission DGK = 4-Spd. Automatic 42RE Transmission DGS = 4-Speed Automatic AW4 Transmission DGT = 4-Spd. Automatic 46RE Transmission DGW = TRANSMISSION - 4-SPD. AUTOMATIC,44RE DGX = 4-Speed Automatic Transmission DGY = No Description Available DGZ = Transmission- 4-Spd. Automatic,MT643 DBB = ALL MANUAL TRANSMISSIONS DGO = TRANSMISSIONS - ALL AUTOMATIC

AR = use ase required - = Non illustrated part

**Case and Related Parts Command Trac (DHN)
Figure 231-210**



ITEM	PART NUMBER	QTY	LINE	SERIES	BODY	ENGINE	TRANS	TRIM	DESCRIPTION
------	-------------	-----	------	--------	------	--------	-------	------	-------------

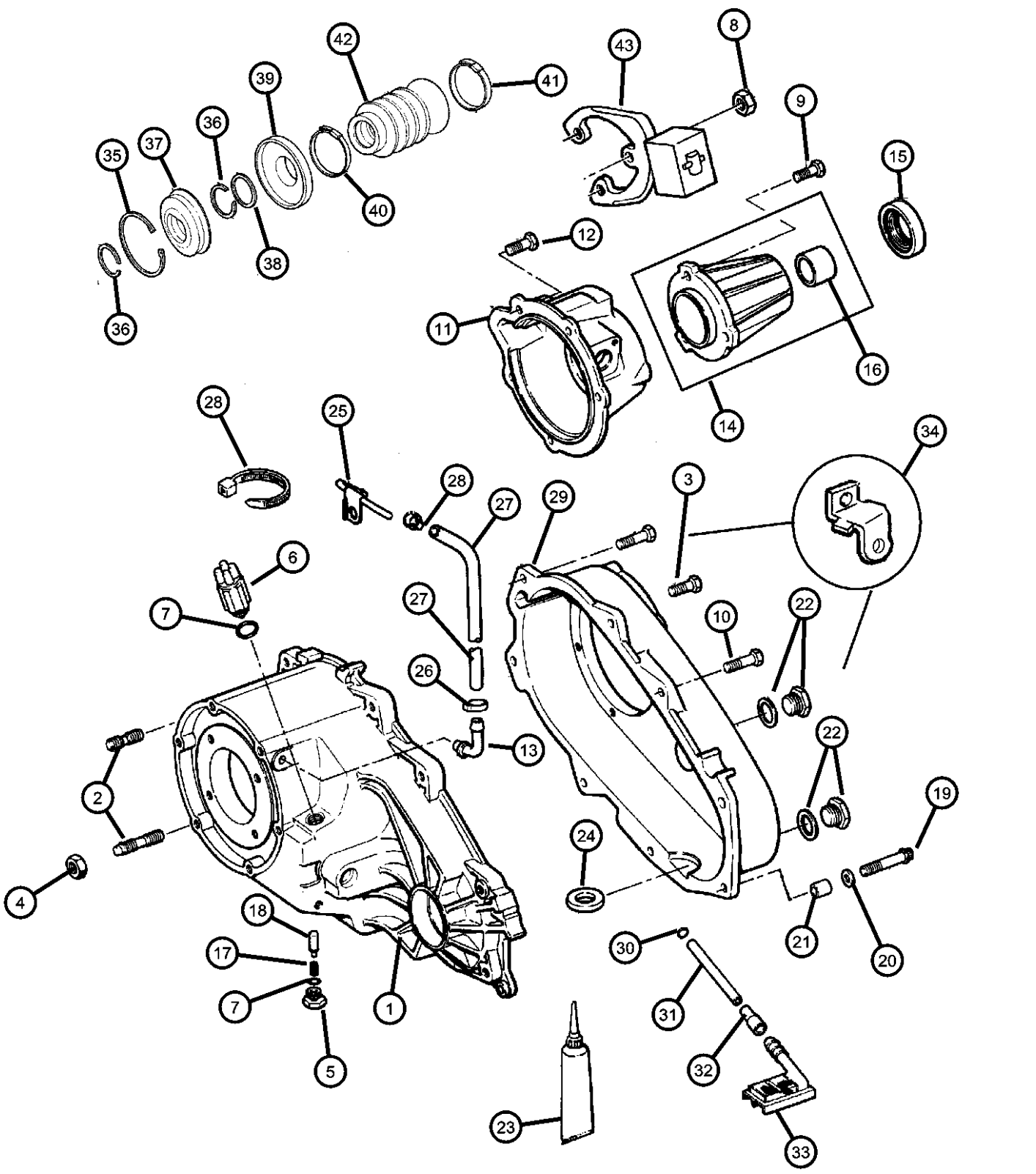
Notes:
 EPO= All 2.5L, 4 Cylinder, Gas Engine
 ERO= All 4.0L., 6 Cylinder, Gas Engine
 ENO= All 4/5 Cylinder, Turbo Diesel Engine
 DDQ = 5 Speed Manual Transmission

1									CASE, Transfer Front
	04796949	1	J, U			ENO	DDQ		52098913
	04798111	1	J, U			EPO	DDQ		52099310
		1	J, U			ERO			52099212
2									STUD, M10x1.54x36
	04505365	6	J, U			EPO	DDQ		52099310
		6	J, U			ERO			52099212
		6	J, U			ENO	DDQ		52098913
3									BOLT, Twelve Point Head, M10x1.5x48
	J8130979	1	J, U			EPO	DDQ		52099310
		1	J, U			ERO			52099212
		1	J, U			ENO	DDQ		52098913
4									NUT AND CONED WASHER, Hex, .375-24
	J4006681	6	J, U			EPO	DG0		
		6	J, U			ENO, ERO			
5									SCREW
	04886473AA	1	J, U			EPO	DDQ		52099310
		1	J, U			ERO			52099212

CHEROKEE (XJ)								
SERIES	LINE		BODY		ENGINE		TRANSMISSION	
L = LOWLINE	B = JEEP - 2WD (RHD) U = JEEP - 4WD (RHD) T = LHD - (2WD) J = JEEP - - LHD (4WD)		72 = 2DR (101.4 WB) 74 = 4 DR (101.4 WB)		ENC = 2.5L 4 Cyl Turbo Diesel Engine EPE = Engine - 2.5L Power Tech I-4 Cyl. ERH = 4.0L Power Tech I-6 Engine ENO = Engines - ALL 4/5 CYL Turbo Diesel ERO = Engines - All 4.0L 6 Cyl Gas EPO = ENGINES - ALL 2.5L 4 CYL GAS		DCB = Transmission - 4-Speed Manual, T3340 DDQ = 5-Speed Manual Transmission DDX = 5-Speed HD Manual Transmission DGD = 3-Spd. Automatic 30RH Transmission DGK = 4-Spd. Automatic 42RE Transmission DGS = 4-Speed Automatic AW4 Transmission DGT = 4-Spd. Automatic 46RE Transmission DGW = TRANSMISSION - 4-SPD. AUTOMATIC, 44RE DGX = 4-Speed Automatic Transmission DGY = No Description Available DGZ = Transmission- 4-Spd. Automatic, MT643 DBB = ALL MANUAL TRANSMISSIONS DG0 = TRANSMISSIONS - ALL AUTOMATIC	

AR = use ase required - = Non illustrated part

**Case and Related Parts Command Trac (DHN)
Figure 231-210**

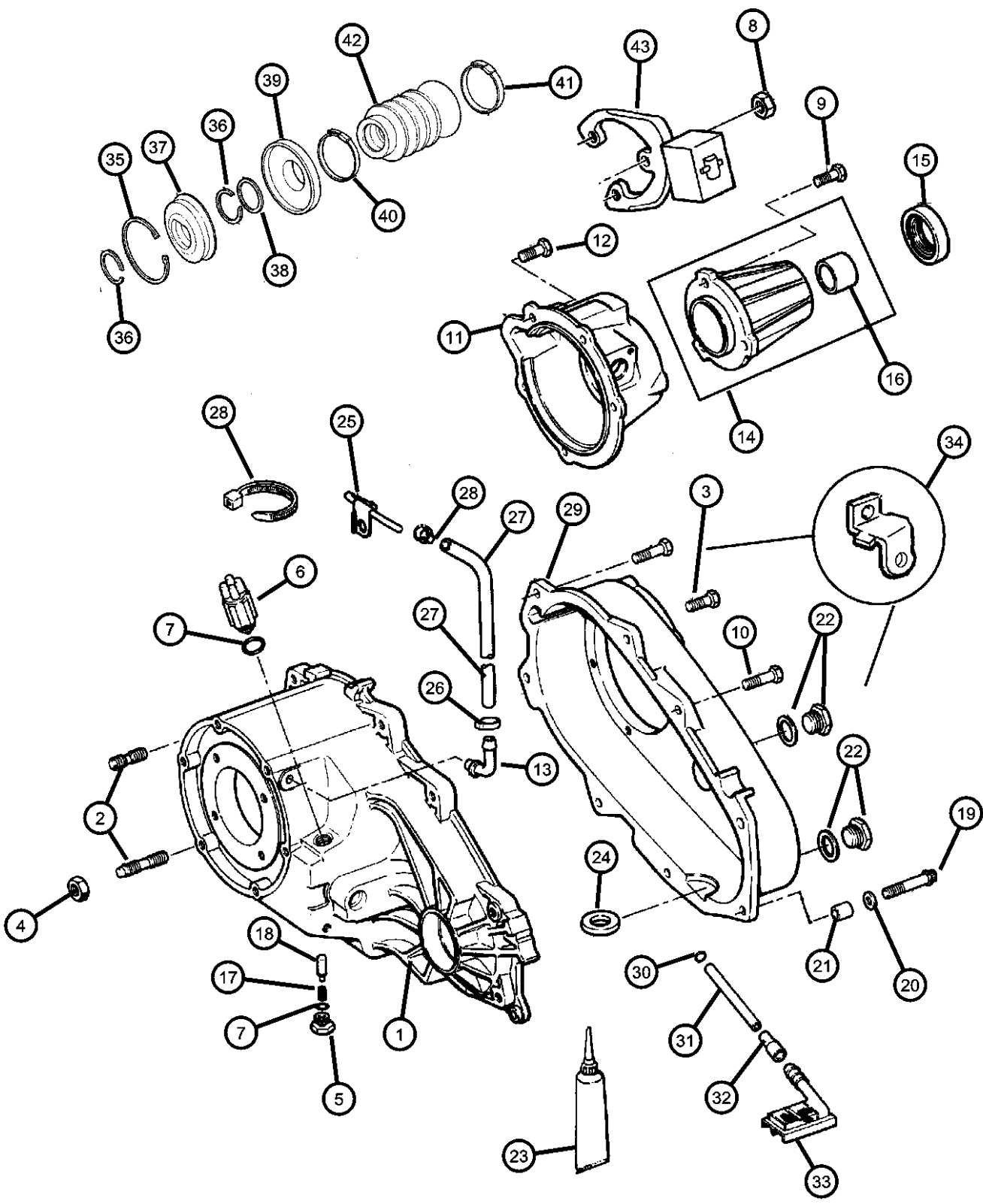


ITEM	PART NUMBER	QTY	LINE	SERIES	BODY	ENGINE	TRANS	TRIM	DESCRIPTION
6		1	J, U			EN0	DDQ		52098913 SWITCH, Transfer Case Mode
	J8134473	1	J, U			EP0	DDQ		52099310
		1	J, U			ER0			52099212
		1	J, U			EN0	DDQ		52098913
7		2	J, U			EP0	DDQ		52099310 SEAL, Vacuum Switch
	04338956	2	J, U			ER0			52099212
		1	J, U			EN0	DDQ		52098913
8		3	J, U				DGD		NUT, M10x1.5
	06502337	3	J, U						
9		3	J, U			EN0	DDQ		STUD, 52098913
	04720708	3	J, U			EN0	DDQ		
10		5	J, U			EP0	DDQ		BOLT, Transfer Case
	04210617	5	J, U			ER0			52099310
		5	J, U			EN0	DDQ		52099212
		5	J, U			EN0	DDQ		52098913
11		1	J, U			EN0	DDQ		RETAINER, Transfer Case Rear
	04741243	1	J, U			EN0	DDQ		52098913
	04798115	1	J, U			EP0	DDQ		52099310
		1	J, U			ER0			52099212
12									BOLT

CHEROKEE (XJ)
 SERIES LINE BODY ENGINE TRANSMISSION
 L = LOWLINE B = JEEP - 2WD (RHD) 72 = 2DR (101.4 WB) ENC = 2.5L 4 Cyl Turbo Diesel DCB = Transmission - 4-Speed Manual, T3340
 U = JEEP - 4WD (RHD) 74 = 4 DR (101.4 WB) EPE = Engine - 2.5L Power Tech I-4 Cyl. DDQ = 5-Speed Manual Transmission
 T = LHD - (2WD) ERH = 4.0L Power Tech I-6 Transmission
 J = JEEP - - LHD (4WD) Engine DGD = 3-Spd. Automatic 30RH Transmission
 ENO = Engines - ALL 4/5 CYL Turbo Diesel DGK = 4-Spd. Automatic 42RE Transmission
 ERO = Engines - All 4.0L 6 Cyl Gas DGS = 4-Speed Automatic AW4 Transmission
 EP0 = ENGINES - ALL 2.5L 4 CYL GAS DGT = 4-Spd. Automatic 46RE Transmission
 DGW = TRANSMISSION - 4-SPD. AUTOMATIC, 44RE
 DGX = 4-Speed Automatic Transmission
 DGY = No Description Available
 DGZ = Transmission- 4-Spd. Automatic, MT643
 DBB = ALL MANUAL TRANSMISSIONS
 DGO = TRANSMISSIONS - ALL AUTOMATIC

AR = use ase required - = Non illustrated part

Case and Related Parts Command Trac (DHN)
Figure 231-210

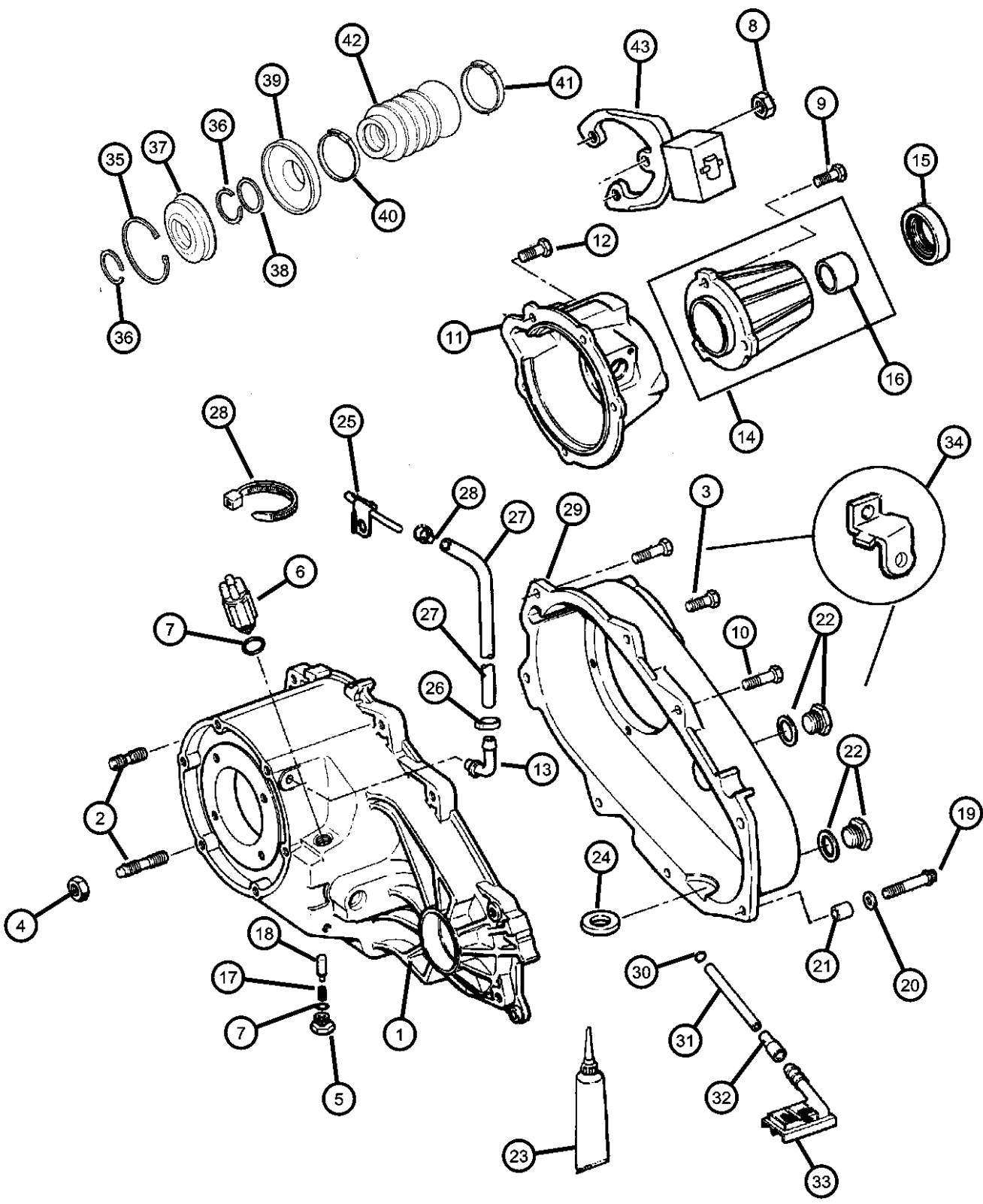


ITEM	PART NUMBER	QTY	LINE	SERIES	BODY	ENGINE	TRANS	TRIM	DESCRIPTION
	06500318	9	J, U			EP0	DDQ		52099310
		9	J, U			ER0			52099212
		9	J, U			EN0	DDQ		52098913
13									VENT, Transfer Case
	04796910	1	J, U			EP0	DDQ		52099310
		1	J, U			ER0			52099212
		1	J, U			EN0	DDQ		52098913
14	83503156	1	J, U			EN0	DDQ		EXTENSION, Transfer Case
15									SEAL, Output
	04638904	1	J, U			EN0	DDQ		52098913
	04798112	1	J, U			EP0	DDQ		52099310
	04798117	1	J, U			ER0	DG0		52099212
16	J8134490	1	J, U			EN0	DDQ		BUSHING, Extension Housing, 52098913
17									SPRING, Shift Detent
	04638497	1	J, U			EP0	DDQ		52099310
		1	J, U			ER0			52099212
		1	J, U			EN0	DDQ		52098913
18									PLUNGER
	53008217	1	J, U			EP0	DDQ		52099310
		1	J, U			ER0			52099212
		1	J, U			EN0	DDQ		52098913
19									BOLT, Hex Flange Head

CHEROKEE (XJ)
 SERIES LINE BODY ENGINE TRANSMISSION
 L = LOWLINE B = JEEP - 2WD (RHD) 72 = 2DR (101.4 WB) ENC = 2.5L 4 Cyl Turbo Diesel DCB = Transmission - 4-Speed Manual, T3340
 U = JEEP - 4WD (RHD) 74 = 4 DR (101.4 WB) EPE = Engine - 2.5L Power Tech I-4 Cyl. DDQ = 5-Speed Manual Transmission
 T = LHD - (2WD) ERH = 4.0L Power Tech I-6 Engine DDG = 5-Speed HD Manual Transmission
 J = JEEP - - LHD (4WD) ENO = Engines - ALL 4/5 CYL Turbo Diesel DGD = 3-Spd. Automatic 30RH Transmission
 ERO = Engines - All 4.0L 6 Cyl Gas DGK = 4-Spd. Automatic 42RE Transmission
 DGS = 4-Speed Automatic AW4 Transmission
 EP0 = ENGINES - ALL 2.5L 4 CYL GAS DGT = 4-Spd. Automatic 46RE Transmission
 DGW = TRANSMISSION - 4-SPD. AUTOMATIC, 44RE
 DGX = 4-Speed Automatic Transmission
 DGY = No Description Available
 DGZ = Transmission- 4-Spd. Automatic, MT643
 DBB = ALL MANUAL TRANSMISSIONS
 DG0 = TRANSMISSIONS - ALL AUTOMATIC

AR = use ase required - = Non illustrated part

**Case and Related Parts Command Trac (DHN)
Figure 231-210**

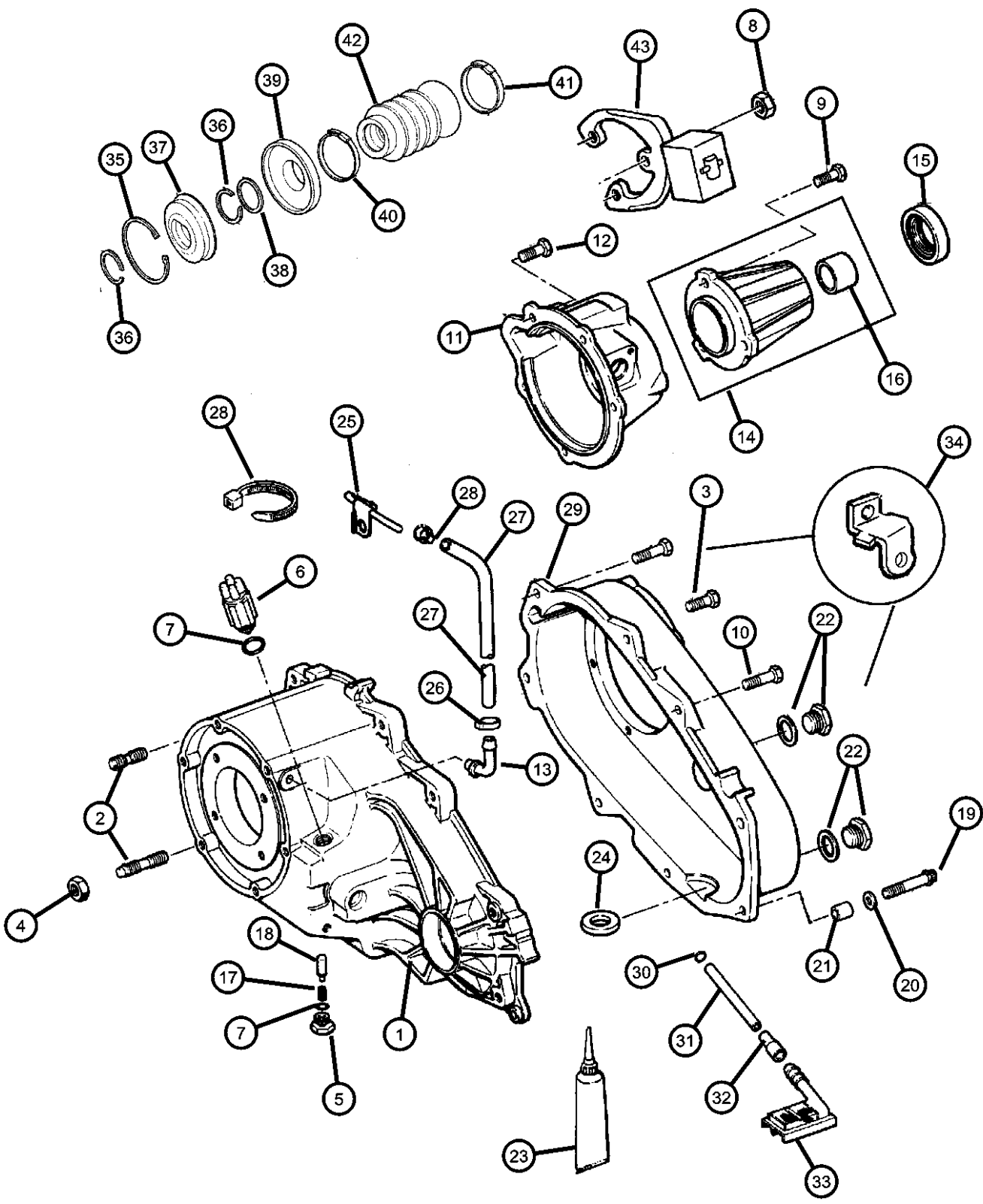


ITEM	PART NUMBER	QTY	LINE	SERIES	BODY	ENGINE	TRANS	TRIM	DESCRIPTION
20	04210614	1	J, U			EP0	DDQ		52099310
		1	J, U			ER0			52099212
		1	J, U			EN0	DDQ		52098913
21	04210983	1	J, U			EP0	DDQ		52099310
		1	J, U			ER0			52099212
		1	J, U			EN0	DDQ		52098913
22	04116310	1	J, U			EP0	DDQ		DOWEL, Transfer Case
		1	J, U			ER0			52099212
		1	J, U			EN0	DDQ		52098913
23	04856641	2	J, U			EN0	DDQ		PLUG, Oil Fill
		2	J, U			ER0			52099212
		2	J, U			EP0	DDQ		52099310
24	04318025	1	J, U			EP0	DDQ		SEALANT, RTV
		1	J, U			ER0			52099212
		1	J, U			EN0	DDQ		52098913
24	03681601	1	J, U			EP0	DDQ		MAGNET, Transmission
		1	J, U			ER0			52099212

CHEROKEE (XJ)
 SERIES LINE BODY ENGINE TRANSMISSION
 L = LOWLINE B = JEEP - 2WD (RHD) 72 = 2DR (101.4 WB) ENC = 2.5L 4 Cyl Turbo Diesel DCB = Transmission - 4-Speed Manual, T3340
 U = JEEP - 4WD (RHD) 74 = 4 DR (101.4 WB) EPE = Engine - 2.5L Power Tech I-4 Cyl. DDQ = 5-Speed Manual Transmission
 T = LHD - (2WD) ERH = 4.0L Power Tech I-6 Transmission DDX = 5-Speed HD Manual
 J = JEEP - - LHD (4WD) Engine DGD = 3-Spd. Automatic 30RH Transmission
 ENO = Engines - ALL 4/5 CYL Turbo Diesel DGK = 4-Spd. Automatic 42RE Transmission
 ERO = Engines - All 4.0L 6 Cyl Gas DGS = 4-Speed Automatic AW4 Transmission
 EP0 = ENGINES - ALL 2.5L 4 CYL GAS DGT = 4-Spd. Automatic 46RE Transmission
 DGW = TRANSMISSION - 4-SPD. AUTOMATIC, 44RE
 DGX = 4-Speed Automatic Transmission
 DGY = No Description Available
 DGZ = Transmission- 4-Spd. Automatic, MT643
 DBB = ALL MANUAL TRANSMISSIONS
 DGO = TRANSMISSIONS - ALL AUTOMATIC

AR = use ase required - = Non illustrated part

**Case and Related Parts Command Trac (DHN)
Figure 231-210**

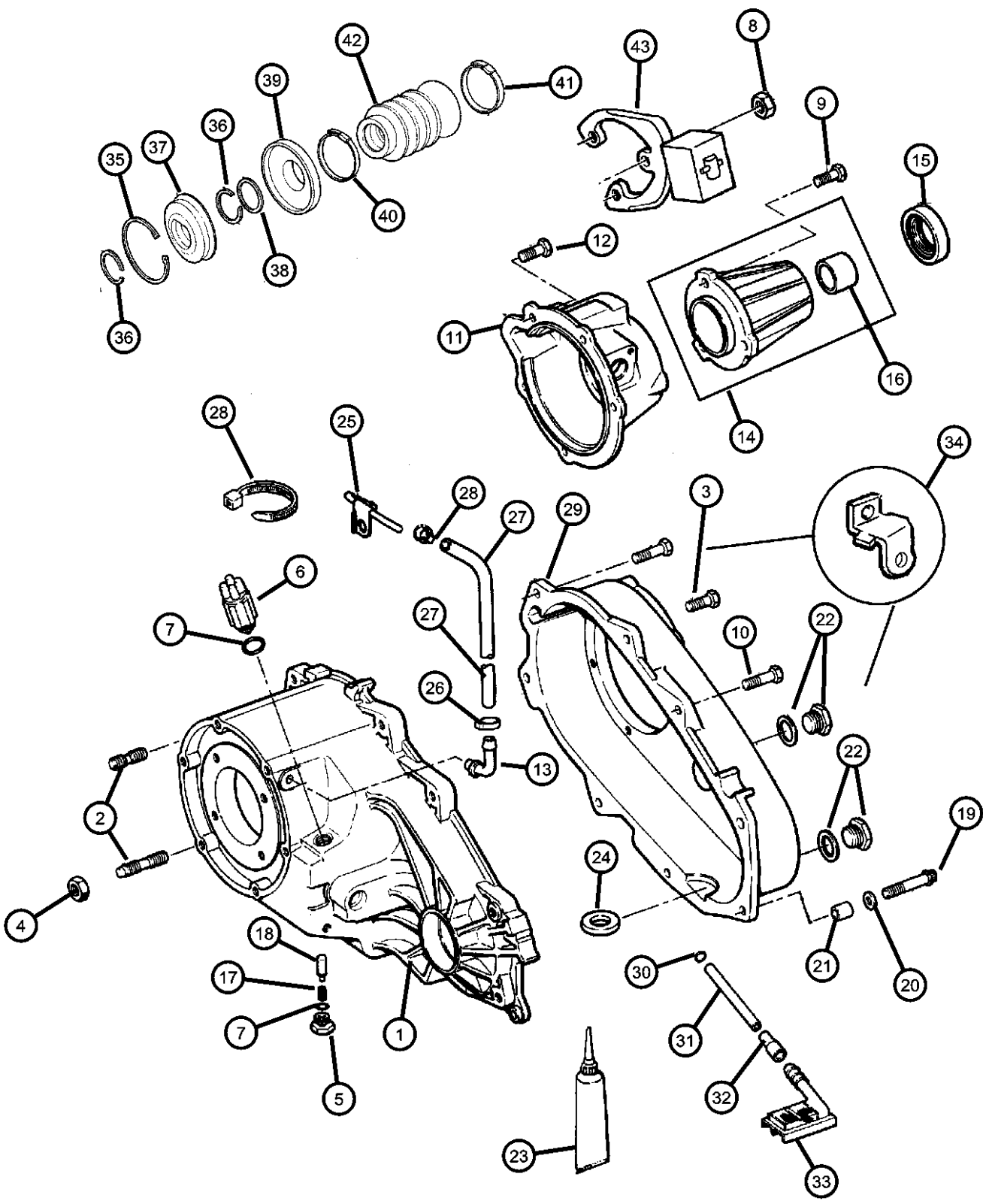


ITEM	PART NUMBER	QTY	LINE	SERIES	BODY	ENGINE	TRANS	TRIM	DESCRIPTION
25	J5352955	1	J, U			ENO	DDQ		52098913
26	06502081	2	J, U						VENT, Axle
27	04443176	1							CLAMP, Oil Cooler Line
28	04641780	3							HOSE, Fuel, .31 I.D. 50 Foot Roll, Transfer Case
29	04886222AA	1	J, U			EP0	DDQ		52099212
		1	J, U			ER0			52099310
		1	J, U			ENO	DDQ		52098913
30	04338942	1	J, U			EP0	DDQ		52099310
		1	J, U			ER0			52099212
		1	J, U			ENO	DDQ		52098913
31	04338941	1	J, U			EP0	DDQ		52099310
		1	J, U			ER0			52099212
		1	J, U			ENO	DDQ		52098913
32	04338944	1	J, U			EP0	DDQ		52099310
		1	J, U			ER0			52099212
		1	J, U			ENO	DDQ		52098913
33									FILTER, Transfer Case Oil

CHEROKEE (XJ)
 SERIES LINE BODY ENGINE TRANSMISSION
 L = LOWLINE B = JEEP - 2WD (RHD) 72 = 2DR (101.4 WB) ENC = 2.5L 4 Cyl Turbo Diesel DCB = Transmission - 4-Speed Manual, T3340
 U = JEEP - 4WD (RHD) 74 = 4 DR (101.4 WB) EPE = Engine - 2.5L Power Tech I-4 Cyl. DDQ = 5-Speed Manual Transmission
 T = LHD - (2WD) ERH = 4.0L Power Tech I-6 Engine DDX = 5-Speed HD Manual Transmission
 J = JEEP - - LHD (4WD) ENO = Engines - ALL 4/5 CYL Turbo Diesel DGD = 3-Spd. Automatic 30RH Transmission
 ERO = Engines - All 4.0L 6 Cyl Gas DGK = 4-Spd. Automatic 42RE Transmission
 DGS = 4-Speed Automatic AW4 Transmission
 EP0 = ENGINES - ALL 2.5L 4 CYL GAS DGT = 4-Spd. Automatic 46RE Transmission
 DGW = TRANSMISSION - 4-SPD. AUTOMATIC, 44RE
 DGX = 4-Speed Automatic Transmission
 DGY = No Description Available
 DGZ = Transmission- 4-Spd. Automatic, MT643
 DBB = ALL MANUAL TRANSMISSIONS
 DGO = TRANSMISSIONS - ALL AUTOMATIC

AR = use ase required - = Non illustrated part

Case and Related Parts Command Trac (DHN)
Figure 231-210

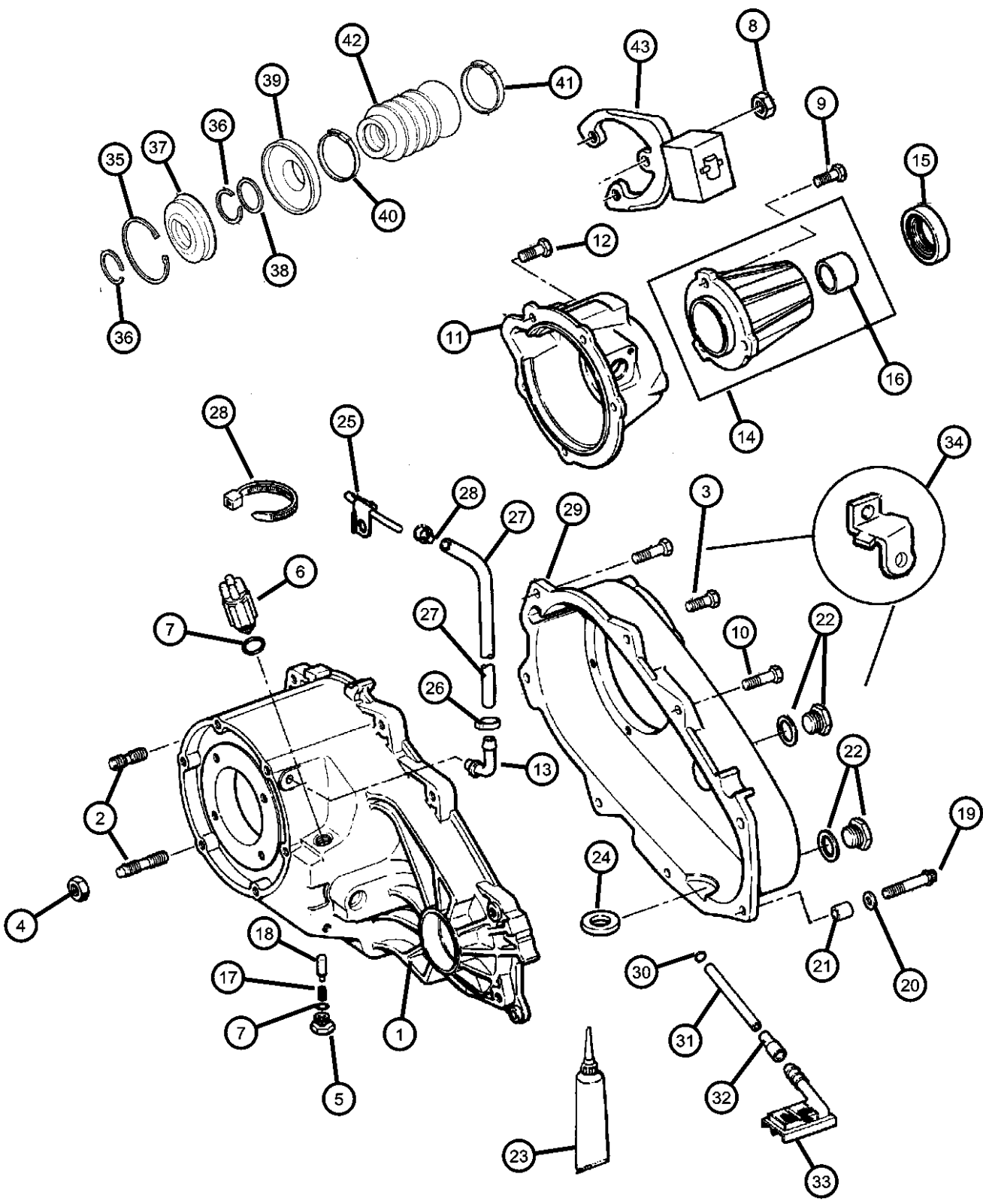


ITEM	PART NUMBER	QTY	LINE	SERIES	BODY	ENGINE	TRANS	TRIM	DESCRIPTION
	04338943	1	J, U			EP0	DDQ		52099310
		1	J, U			ER0			52099212
		1	J, U			EN0	DDQ		52098913
34	52098522	1	J, U			EP0, ER0			BRACKET, Tube
35									SNAP RING
	04338933	1	J, U			EN0	DDQ		52098913
	04798116	1	J, U			EP0	DDQ		52099310
		1	J, U			ER0			52099212
36									SNAP RING
	J8134488	2	J, U			EP0	DDQ		52099310
		2	J, U			ER0			52099212
		2	J, U			EN0	DDQ		52098913
37									SEAL, Output Shaft
	04798117	1	J, U			EP0	DDQ		52099310
		1	J, U			ER0			52099212
38									WASHER
	04798118	1	J, U			EP0	DDQ		
		1	J, U			ER0			
39									SLINGER, Oil
	04798119	1	J, U			EP0	DDQ		52099310
		1	J, U			ER0			52099212
40									CLAMP, Boot

CHEROKEE (XJ)
 SERIES LINE BODY ENGINE TRANSMISSION
 L = LOWLINE B = JEEP - 2WD (RHD) 72 = 2DR (101.4 WB) ENC = 2.5L 4 Cyl Turbo Diesel DCB = Transmission - 4-Speed Manual, T3340
 U = JEEP - 4WD (RHD) 74 = 4 DR (101.4 WB) EPE = Engine - 2.5L Power Tech I-4 Cyl. DDQ = 5-Speed Manual Transmission
 T = LHD - (2WD) ERH = 4.0L Power Tech I-6 Engine DDG = 5-Speed HD Manual Transmission
 J = JEEP - - LHD (4WD) ENO = Engines - ALL 4/5 CYL Turbo Diesel DGD = 3-Spd. Automatic 30RH Transmission
 ERO = Engines - All 4.0L 6 Cyl Gas DGK = 4-Spd. Automatic 42RE Transmission
 DGS = 4-Speed Automatic AW4 Transmission
 EP0 = ENGINES - ALL 2.5L 4 CYL GAS DGT = 4-Spd. Automatic 46RE Transmission
 DGW = TRANSMISSION - 4-SPD. AUTOMATIC, 44RE
 DGX = 4-Speed Automatic Transmission
 DGY = No Description Available
 DGZ = Transmission- 4-Spd. Automatic, MT643
 DBB = ALL MANUAL TRANSMISSIONS
 DGO = TRANSMISSIONS - ALL AUTOMATIC

AR = use ase required - = Non illustrated part

Case and Related Parts Command Trac (DHN)
Figure 231-210

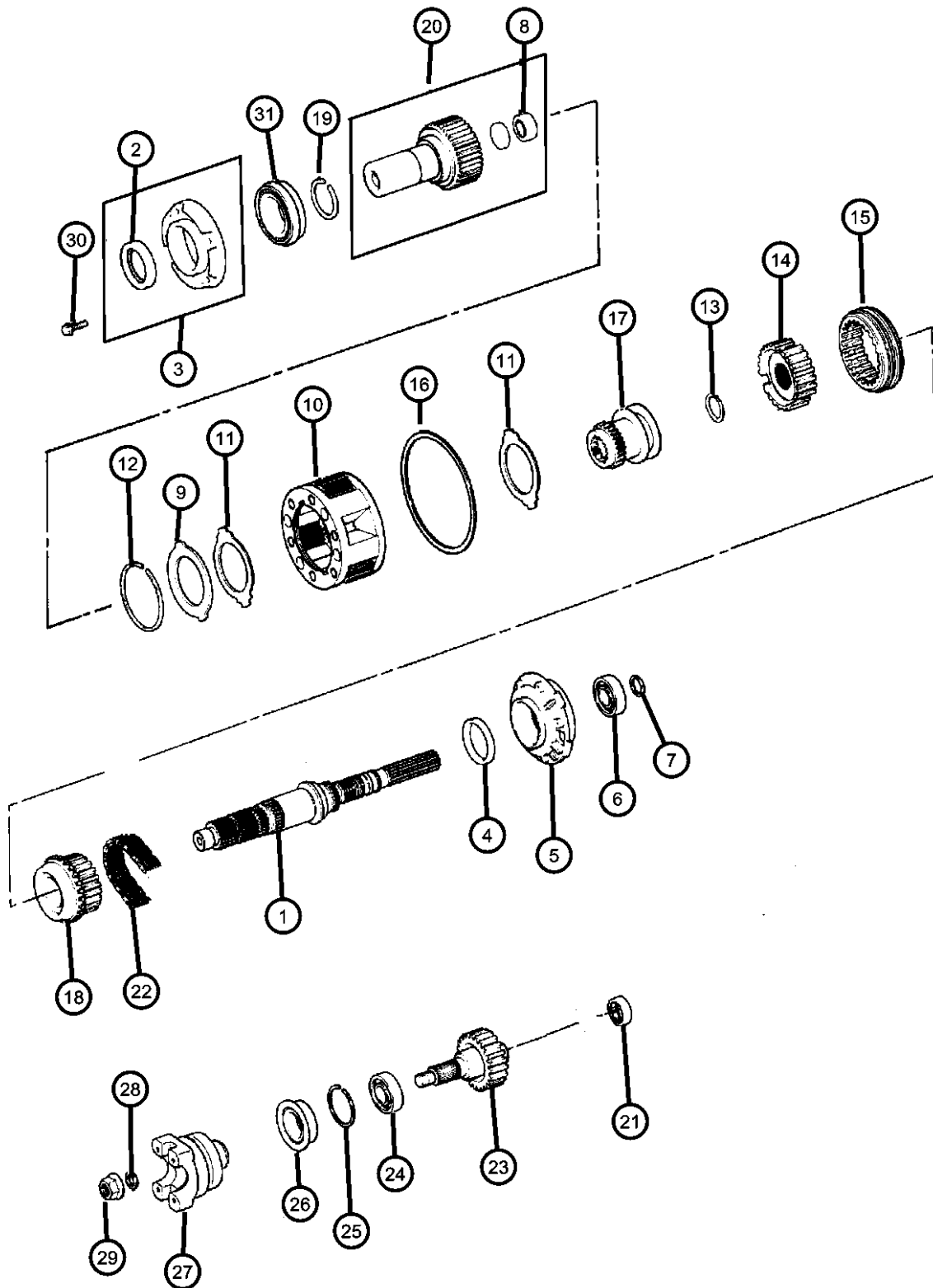


ITEM	PART NUMBER	QTY	LINE	SERIES	BODY	ENGINE	TRANS	TRIM	DESCRIPTION
	04798121	1	J, U			EP0	DDQ		52099310
		1	J, U			ER0			52099212
41									CLAMP, Boot
	04798121	1	J, U			EP0	DDQ		52099310
		1	J, U			ER0			52099212
42									BOOT, Driveshaft
	04798123	1	J, U			EP0	DDQ		52099310
		1	J, U			ER0			52099212
43	52098509	1	J, U			ENC			DAMPER, Transfer Case

CHEROKEE (XJ)
 SERIES LINE BODY ENGINE TRANSMISSION
 L = LOWLINE B = JEEP - 2WD (RHD) 72 = 2DR (101.4 WB) ENC = 2.5L 4 Cyl Turbo Diesel DCB = Transmission - 4-Speed Manual,T3340
 U = JEEP - 4WD (RHD) 74 = 4 DR (101.4 WB) EPE = Engine - 2.5L Power Tech I-4 Cyl. DDQ = 5-Speed Manual Transmission
 T = LHD - (2WD) ERH = 4.0L Power Tech I-6 Transmission DDX = 5-Speed HD Manual
 J = JEEP - - LHD (4WD) Engine DGD = 3-Spd. Automatic 30RH Transmission
 ENO = Engines - ALL 4/5 CYL Turbo Diesel DGK = 4-Spd. Automatic 42RE Transmission
 ERO = Engines - All 4.0L 6 Cyl Gas DGS = 4-Speed Automatic AW4 Transmission
 EP0 = ENGINES - ALL 2.5L 4 CYL GAS DGT = 4-Spd. Automatic 46RE Transmission
 DGW = TRANSMISSION - 4-SPD. AUTOMATIC,44RE
 DGX = 4-Speed Automatic Transmission
 DGY = No Description Available
 DGZ = Transmission- 4-Spd. Automatic,MT643
 DBB = ALL MANUAL TRANSMISSIONS
 DGO = TRANSMISSIONS - ALL AUTOMATIC

AR = use ase required - = Non illustrated part

**Gear Train Command Trac (DHN)
Figure 231-410**



ITEM	PART NUMBER	QTY	LINE	SERIES	BODY	ENGINE	TRANS	TRIM	DESCRIPTION
1	04796907	1	J, U			EN0	DDQ		MAINSHAFT, Transfer Case 52098913
	04798114	1	J, U			EP0	DDQ		52099310
		1	J, U			ER0			52099212
2	04167929	1	J, U			EP0	DDQ		SEAL, Input Gear 52099310
		1	J, U			ER0			52099212
		1	J, U			EN0	DDQ		52098913
3	04338973	1	J, U			EP0	DDQ		EXTENSION, Transfer Case 52099310
		1	J, U			ER0			52099212
		1	J, U			EN0	DDQ		52098913
4	04210603	1	J, U			EP0	DDQ		SEAL, Main Shaft 52099310
		1	J, U			ER0			52099212
		1	J, U			EN0	DDQ		52098913
5	04338936	1	J, U			EP0	DDQ		PUMP, Transfer Case Oil 52099310
		1	J, U			ER0			52099212

CHEROKEE (XJ)

SERIES

L = LOWLINE
B = JEEP - 2WD (RHD)
U = JEEP - 4WD (RHD)
T = LHD - (2WD)
J = JEEP - - LHD (4WD)

LINE

BODY

72 = 2DR (101.4 WB)
74 = 4 DR (101.4 WB)

ENGINE

ENC = 2.5L 4 Cyl Turbo Diesel Engine
EPE = Engine - 2.5L Power Tech I-4 Cyl.
ERH = 4.0L Power Tech I-6 Engine
ENO = Engines - ALL 4/5 CYL Turbo Diesel
ERO = Engines - All 4.0L 6 Cyl Gas
EPO = ENGINES - ALL 2.5L 4 CYL GAS

TRANSMISSION

DCB = Transmission - 4-Speed Manual, T3340
DDQ = 5-Speed Manual Transmission
DDX = 5-Speed HD Manual Transmission
DGD = 3-Spd. Automatic 30RH Transmission
DGK = 4-Spd. Automatic 42RE Transmission
DGS = 4-Speed Automatic AW4 Transmission
DGT = 4-Spd. Automatic 46RE Transmission
DGW = TRANSMISSION - 4-SPD. AUTOMATIC, 44RE
DGX = 4-Speed Automatic Transmission
DGY = No Description Available
DGZ = Transmission- 4-Spd. Automatic, MT643
DBB = ALL MANUAL TRANSMISSIONS
DGO = TRANSMISSIONS - ALL AUTOMATIC

AR = use ase required - = Non illustrated part

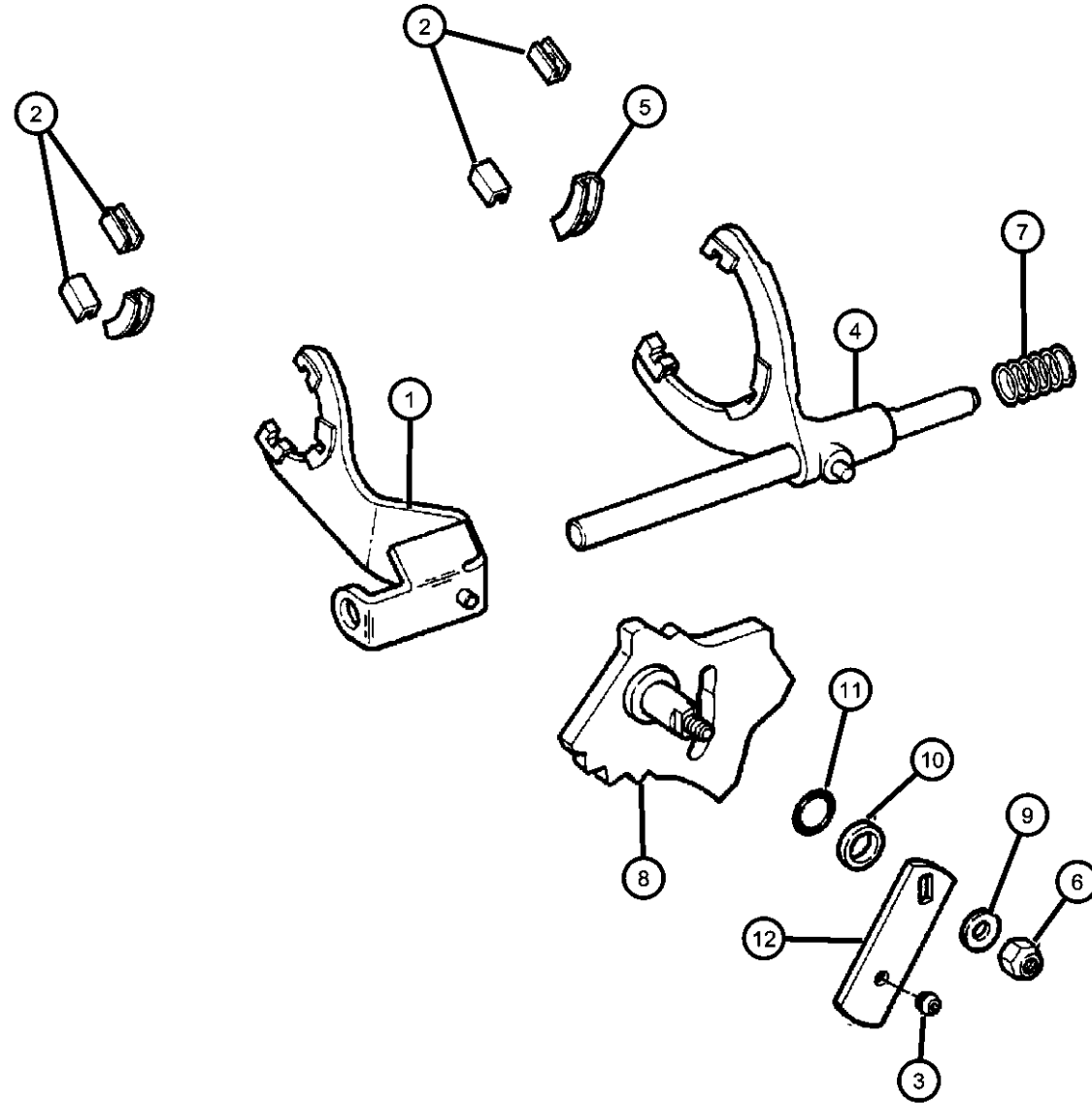
1998 XJ

Fork and Rails Command Trac (DHN)
Figure 231-910

ITEM	PART NUMBER	QTY	LINE	SERIES	BODY	ENGINE	TRANS	TRIM	DESCRIPTION
------	-------------	-----	------	--------	------	--------	-------	------	-------------

Notes:

EPO= All 2.5L, 4 Cylinder, Gas Engine
ER0= All 4.0L., 6 Cylinder, Gas Engine
EN0= All 4/5 Cylinder, Turbo Diesel Engine
DDQ = 5 Speed Manual Transmission
DG0 = All Automatic Transmissions



1	04638913	1	J, U			EPO	DDQ		FORK, Range 52099310
		1	J, U			ER0			52099212
		1	J, U			EN0	DDQ		52098913
2	04167969	2	J, U			ER0			PAD, Shift Fork 52099212
		2	J, U			EPO	DDQ		52099310
3	53004810	1	J, U			EN0	DDQ		BUSHING, Shift Lever 52098913
		1	J, U			ER0			52099212
		1	J, U			EPO	DDQ		52099310
4	04741237	1	J, U			EPO	DDQ		FORK, Transfer Case Mode Shift 52099310
		1	J, U			ER0			52099212
		1	J, U			EN0	DDQ		52098913
5	04219073	1	J, U			EPO	DDQ		PAD, Shift Fork 52099310
		1	J, U			ER0			52099212

CHEROKEE (XJ)

SERIES LINE
L = LOWLINE B = JEEP - 2WD (RHD)
U = JEEP - 4WD (RHD)
T = LHD - (2WD)
J = JEEP - - LHD (4WD)

BODY
72 = 2DR (101.4 WB)
74 = 4 DR (101.4 WB)

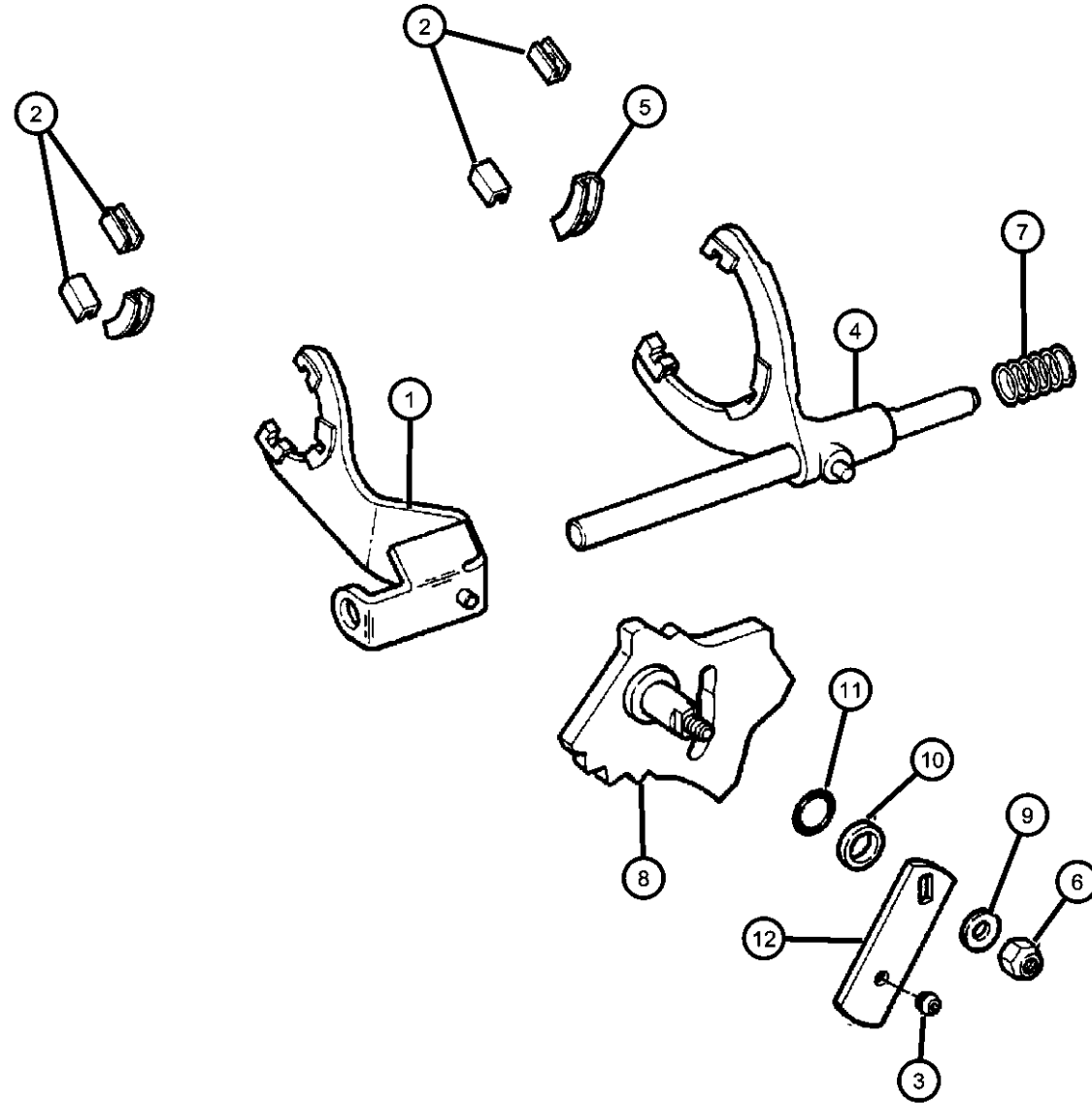
ENGINE TRANSMISSION
ENC = 2.5L 4 Cyl Turbo Diesel Engine DCB = Transmission - 4-Speed Manual, T3340
EPE = Engine - 2.5L Power Tech I-4 Cyl. DDQ = 5-Speed Manual Transmission
ERH = 4.0L Power Tech I-6 Engine DDX = 5-Speed HD Manual Transmission
ENO = Engines - ALL 4/5 CYL Turbo Diesel DGD = 3-Spd. Automatic 30RH Transmission
ERO = Engines - All 4.0L 6 Cyl Gas DGK = 4-Spd. Automatic 42RE Transmission
EPO = ENGINES - ALL 2.5L 4 CYL GAS DGS = 4-Speed Automatic AW4 Transmission
DGT = 4-Spd. Automatic 46RE Transmission
DGW = TRANSMISSION - 4-SPD. AUTOMATIC, 44RE
DGX = 4-Speed Automatic Transmission
DGY = No Description Available
DGZ = Transmission- 4-Spd. Automatic, MT643
DBB = ALL MANUAL TRANSMISSIONS
DG0 = TRANSMISSIONS - ALL AUTOMATIC

AR = use ase required - = Non illustrated part

1998 XJ

Fork and Rails Command Trac (DHN)
Figure 231-910

ITEM	PART NUMBER	QTY	LINE	SERIES	BODY	ENGINE	TRANS	TRIM	DESCRIPTION
6		1	J, U			EN0	DDQ		52098913 NUT, .375-24
	00152345	1	J, U			EN0	DDQ		52098913
		1	J, U			ER0			52099212
		1	J, U			EP0	DDQ		52099310
7		1	J, U			EP0	DDQ		52099310 SPRING, Mode Shift Rail
	04338925	1	J, U			EP0	DDQ		52099310
		1	J, U			ER0			52099212
		1	J, U			EN0	DDQ		52098913
8		1	J, U			EP0	DDQ		52099310 SECTOR, Transfer Case
	04638845	1	J, U			EP0	DDQ		52099310
		1	J, U			ER0			52099212
		1	J, U			EN0	DDQ		52098913
9		1	J, U			EP0	DDQ		52099310 WASHER, Flat
	S2436163	1	J, U			EP0	DDQ		52099310
		1	J, U			ER0			52099212
		1	J, U			EN0	DDQ		52098913
10		1	J, U			EP0	DDQ		52099310 RETAINER, Rear Clutch
	04167964	1	J, U			EP0	DDQ		52099310
		1	J, U			ER0			52099212
		1	J, U			EN0	DDQ		52098913
11		1	J, U			EN0	DDQ		52098913 SEAL, O-Ring



CHEROKEE (XJ)

SERIES LINE
L = LOWLINE B = JEEP - 2WD (RHD)
U = JEEP - 4WD (RHD)
T = LHD - (2WD)
J = JEEP - - LHD (4WD)

BODY
72 = 2DR (101.4 WB)
74 = 4 DR (101.4 WB)

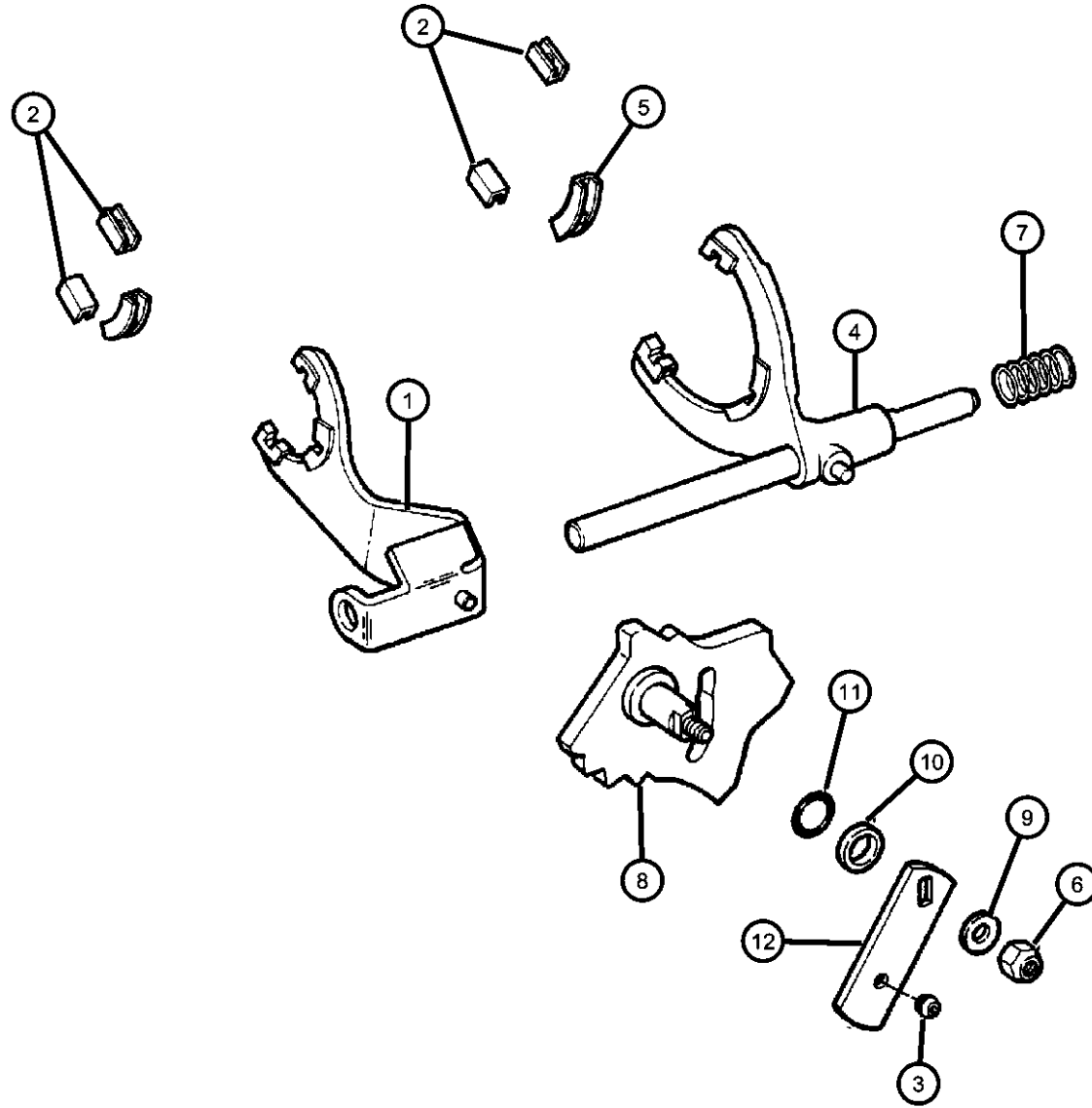
ENGINE TRANSMISSION
ENC = 2.5L 4 Cyl Turbo Diesel Engine DCB = Transmission - 4-Speed Manual,T3340
EPE = Engine - 2.5L Power Tech I-4 Cyl. DDQ = 5-Speed Manual Transmission
ERH = 4.0L Power Tech I-6 Transmission DDX = 5-Speed HD Manual
Engine DGD = 3-Spd. Automatic 30RH
EN0 = Engines - ALL 4/5 CYL Transmission
Turbo Diesel DGK = 4-Spd. Automatic 42RE
ER0 = Engines - All 4.0L 6 Cyl Transmission
Gas DGS = 4-Speed Automatic AW4
EP0 = ENGINES - ALL 2.5L 4 Transmission
CYL GAS DGT = 4-Spd. Automatic 46RE
Transmission
DGW = TRANSMISSION - 4-SPD. AUTOMATIC,44RE
DGX = 4-Speed Automatic Transmission
DGY = No Description Available
DGZ = Transmission- 4-Spd. Automatic,MT643
DBB = ALL MANUAL TRANSMISSIONS
DGO = TRANSMISSIONS - ALL AUTOMATIC

AR = use ase required - = Non illustrated part

1998 XJ

Fork and Rails Command Trac (DHN)
Figure 231-910

ITEM	PART NUMBER	QTY	LINE	SERIES	BODY	ENGINE	TRANS	TRIM	DESCRIPTION
	04167963	1	J, U			ER0			52099212
		1	J, U			EN0	DDQ		52098913
		1	J, U			ER0	DG0		52098899
12									LEVER, Selector
	04897185AA	1	J, U			EP0	DDQ		52099310
		1	J, U			ER0			52099212
		1	J, U			EN0	DDQ		52098913



CHEROKEE (XJ)

SERIES LINE
L = LOWLINE B = JEEP - 2WD (RHD)
U = JEEP - 4WD (RHD)
T = LHD - (2WD)
J = JEEP - - LHD (4WD)

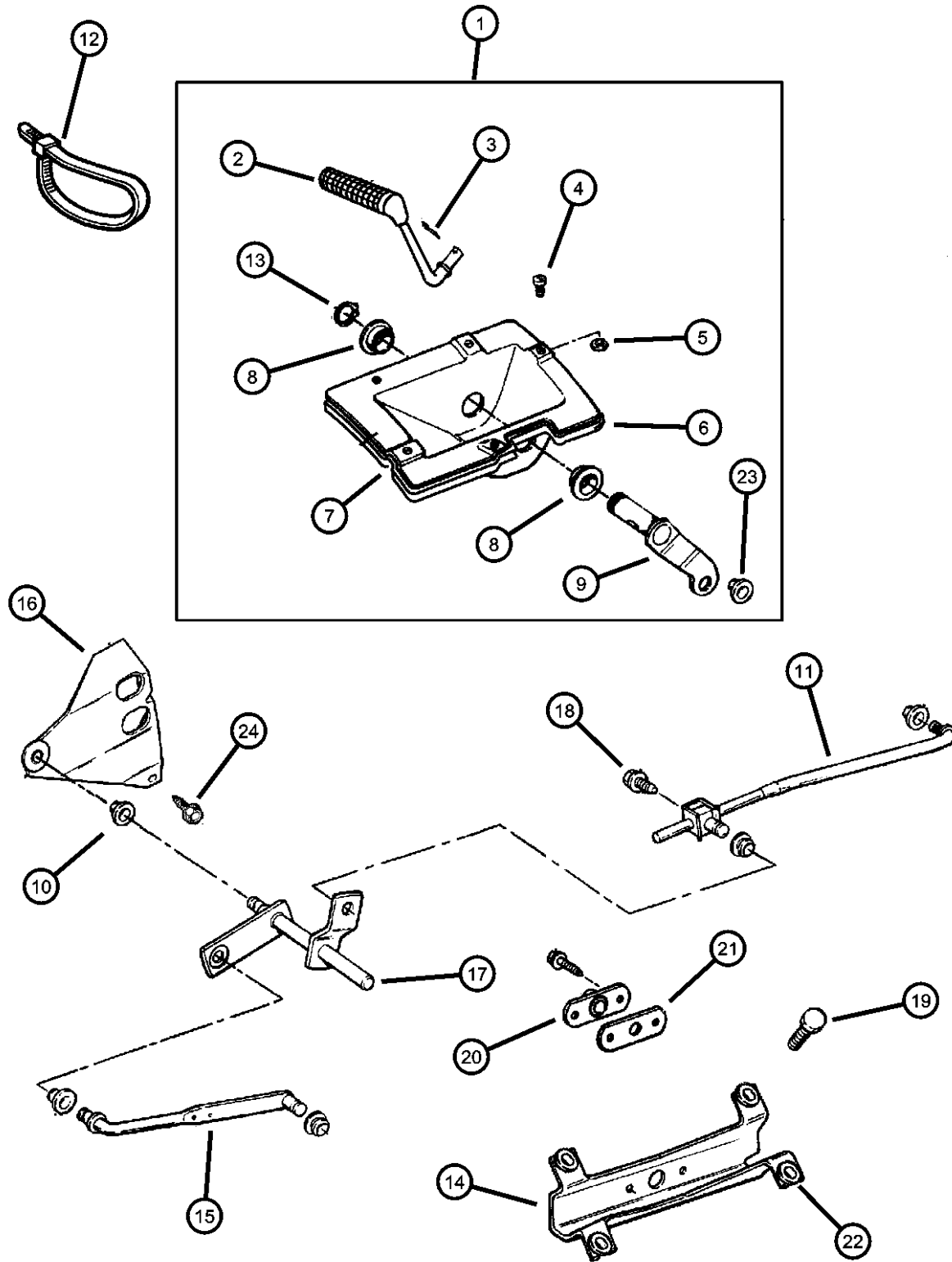
BODY
72 = 2DR (101.4 WB)
74 = 4 DR (101.4 WB)

ENGINE TRANSMISSION
ENC = 2.5L 4 Cyl Turbo Diesel Engine DCB = Transmission - 4-Speed Manual,T3340
EPE = Engine - 2.5L Power Tech I-4 Cyl. DDQ = 5-Speed Manual Transmission
ERH = 4.0L Power Tech I-6 Engine DDX = 5-Speed HD Manual Transmission
ENO = Engines - ALL 4/5 CYL Turbo Diesel DGD = 3-Spd. Automatic 30RH Transmission
ERO = Engines - All 4.0L 6 Cyl Gas DGK = 4-Spd. Automatic 42RE Transmission
EP0 = ENGINES - ALL 2.5L 4 CYL GAS DGS = 4-Speed Automatic AW4 Transmission
DGT = 4-Spd. Automatic 46RE Transmission
DGW = TRANSMISSION - 4-SPD. AUTOMATIC,44RE
DGX = 4-Speed Automatic Transmission
DGY = No Description Available
DGZ = Transmission- 4-Spd. Automatic,MT643
DBB = ALL MANUAL TRANSMISSIONS
DG0 = TRANSMISSIONS - ALL AUTOMATIC

AR = use ase required - = Non illustrated part

1998 XJ

**Gearshift Controls Command Trac (DHN)
Figure 231-1220**



ITEM	PART NUMBER	QTY	LINE	SERIES	BODY	ENGINE	TRANS	TRIM	DESCRIPTION
------	-------------	-----	------	--------	------	--------	-------	------	-------------

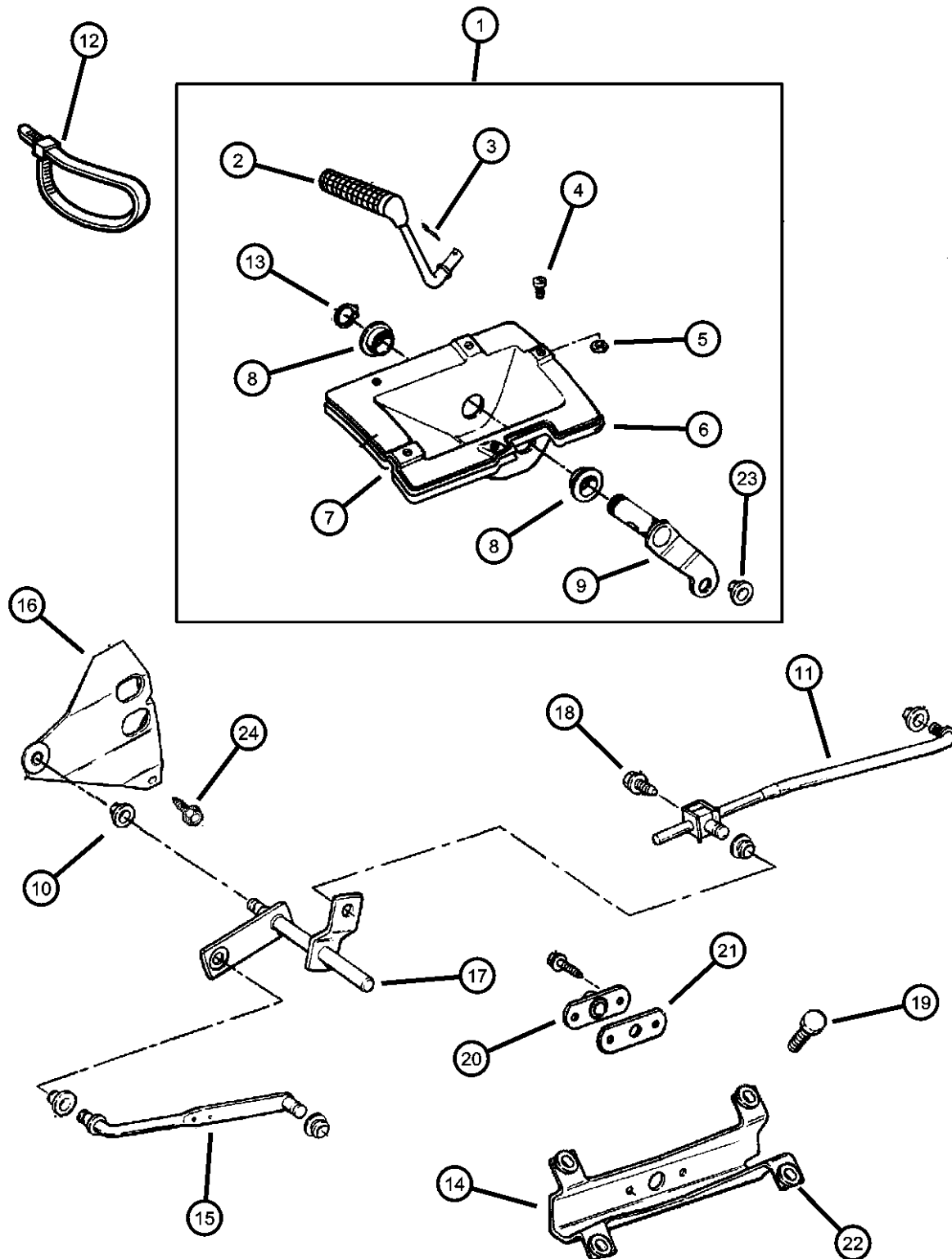
Notes:
 EPO= All 2.5L, 4 Cylinder, Gas Engine
 ER0= All 4.0L., 6 Cylinder, Gas Engine
 ENC= 2.5L 4 Cylinder Turbo Diesel Engine
 DDQ = 5 Speed Manual Transmission
 DG0 = All Automatic Transmission
 DBB = All Manual Transmissions

1									SHIFTER, Transfer Case
	52104100AB	1	J						
	52104101AB	1	U						
2									LEVER, Transfer Case Shifter
	52079256	1	J						
		1	U						
3									PIN, Cotter
	J4006723	1	J						
		1	U						
4									FASTENER, Push On
	52077650	1	U						
	53000809	1	J						
5	52077671	1	J						NUT, Push, M5
6									BOOT, Transfer Case Lever
	52104019	1	J						
		1	U						
7									HOUSING, Shift Lever
	53001284	1	J						

CHEROKEE (XJ)		BODY		ENGINE		TRANSMISSION	
SERIES	LINE						
L = LOWLINE	B = JEEP - 2WD (RHD) U = JEEP - 4WD (RHD) T = LHD - (2WD) J = JEEP - - LHD (4WD)	72 = 2DR (101.4 WB) 74 = 4 DR (101.4 WB)		ENC = 2.5L 4 Cyl Turbo Diesel Engine EPE = Engine - 2.5L Power Tech I-4 Cyl. ERH = 4.0L Power Tech I-6 Engine ENO = Engines - ALL 4/5 CYL Turbo Diesel ERO = Engines - All 4.0L 6 Cyl Gas EPO = ENGINES - ALL 2.5L 4 CYL GAS	DCB = Transmission - 4-Speed Manual,T3340 DDQ = 5-Speed Manual Transmission DDX = 5-Speed HD Manual Transmission DGD = 3-Spd. Automatic 30RH Transmission DGK = 4-Spd. Automatic 42RE Transmission DGS = 4-Speed Automatic AW4 Transmission DGT = 4-Spd. Automatic 46RE Transmission DGW = TRANSMISSION - 4-SPD. AUTOMATIC,44RE DGX = 4-Speed Automatic Transmission DGY = No Description Available DGZ = Transmission- 4-Spd. Automatic,MT643 DBB = ALL MANUAL TRANSMISSIONS DG0 = TRANSMISSIONS - ALL AUTOMATIC		

AR = use ase required - = Non illustrated part

**Gearshift Controls Command Trac (DHN)
Figure 231-1220**



ITEM	PART NUMBER	QTY	LINE	SERIES	BODY	ENGINE	TRANS	TRIM	DESCRIPTION
		1	U						
8	53000639	2	J						BUSHING, Shift Control
9	53005150AC	1	J						LEVER, Transfer Case
		1	U						
10	53004810	1	J, U			ENC	DBB		BUSHING, Shift Lever
		1	J, U			EP0			
		1	J, U			ER0	DDQ		
		1	J, U			ER0	DG0		
11	52104073	1	J, U			EP0			ROD, Gear Shift Control, Transfer Case
		1	J, U			ER0	DG0		
12	J3693058	1	J						STRAP, Retaining
		1	U						
13	11505389	1	J						SNAP RING
		1	U						52104100AB
		1	U						52104101AB
14	52104017	1	J, U			EP0			BRACKET, Torque Shaft
		1	J, U			ER0	DG0		

CHEROKEE (XJ)

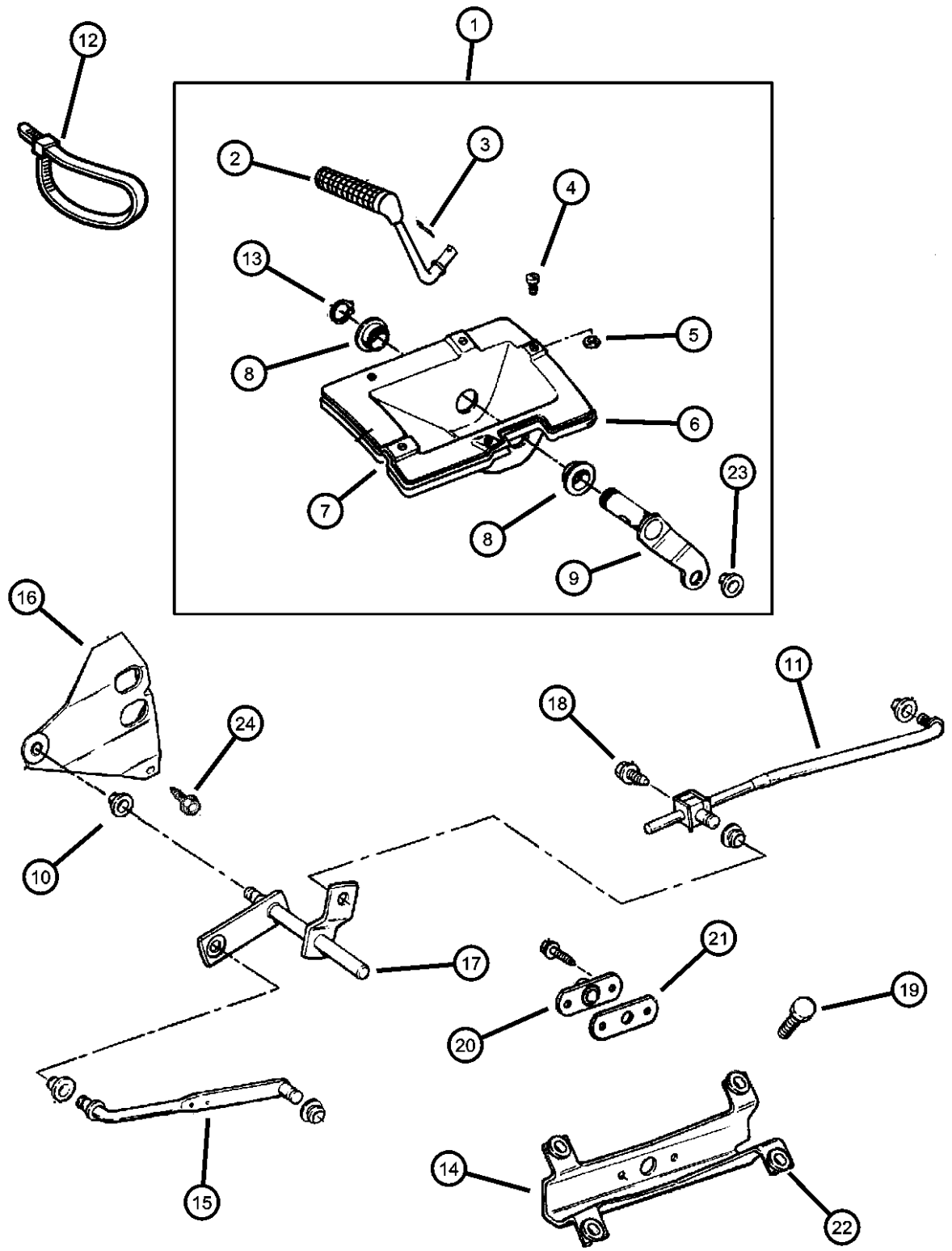
SERIES LINE
 L = LOWLINE B = JEEP - 2WD (RHD)
 U = JEEP - 4WD (RHD)
 T = LHD - (2WD)
 J = JEEP - - LHD (4WD)

BODY
 72 = 2DR (101.4 WB)
 74 = 4 DR (101.4 WB)

ENGINE TRANSMISSION
 ENC = 2.5L 4 Cyl Turbo Diesel Engine DCB = Transmission - 4-Speed Manual, T3340
 EPE = Engine - 2.5L Power Tech I-4 Cyl. DDQ = 5-Speed Manual Transmission
 ERH = 4.0L Power Tech I-6 Engine DDX = 5-Speed HD Manual Transmission
 ENO = Engines - ALL 4/5 CYL Turbo Diesel DGD = 3-Spd. Automatic 30RH Transmission
 ERO = Engines - All 4.0L 6 Cyl Gas DGK = 4-Spd. Automatic 42RE Transmission
 EP0 = ENGINES - ALL 2.5L 4 CYL GAS DGS = 4-Speed Automatic AW4 Transmission
 DGT = 4-Spd. Automatic 46RE Transmission
 DGW = TRANSMISSION - 4-SPD. AUTOMATIC, 44RE
 DGX = 4-Speed Automatic Transmission
 DGY = No Description Available
 DGZ = Transmission- 4-Spd. Automatic, MT643
 DBB = ALL MANUAL TRANSMISSIONS
 DG0 = TRANSMISSIONS - ALL AUTOMATIC

AR = use ase required - = Non illustrated part

**Gearshift Controls Command Trac (DHN)
Figure 231-1220**

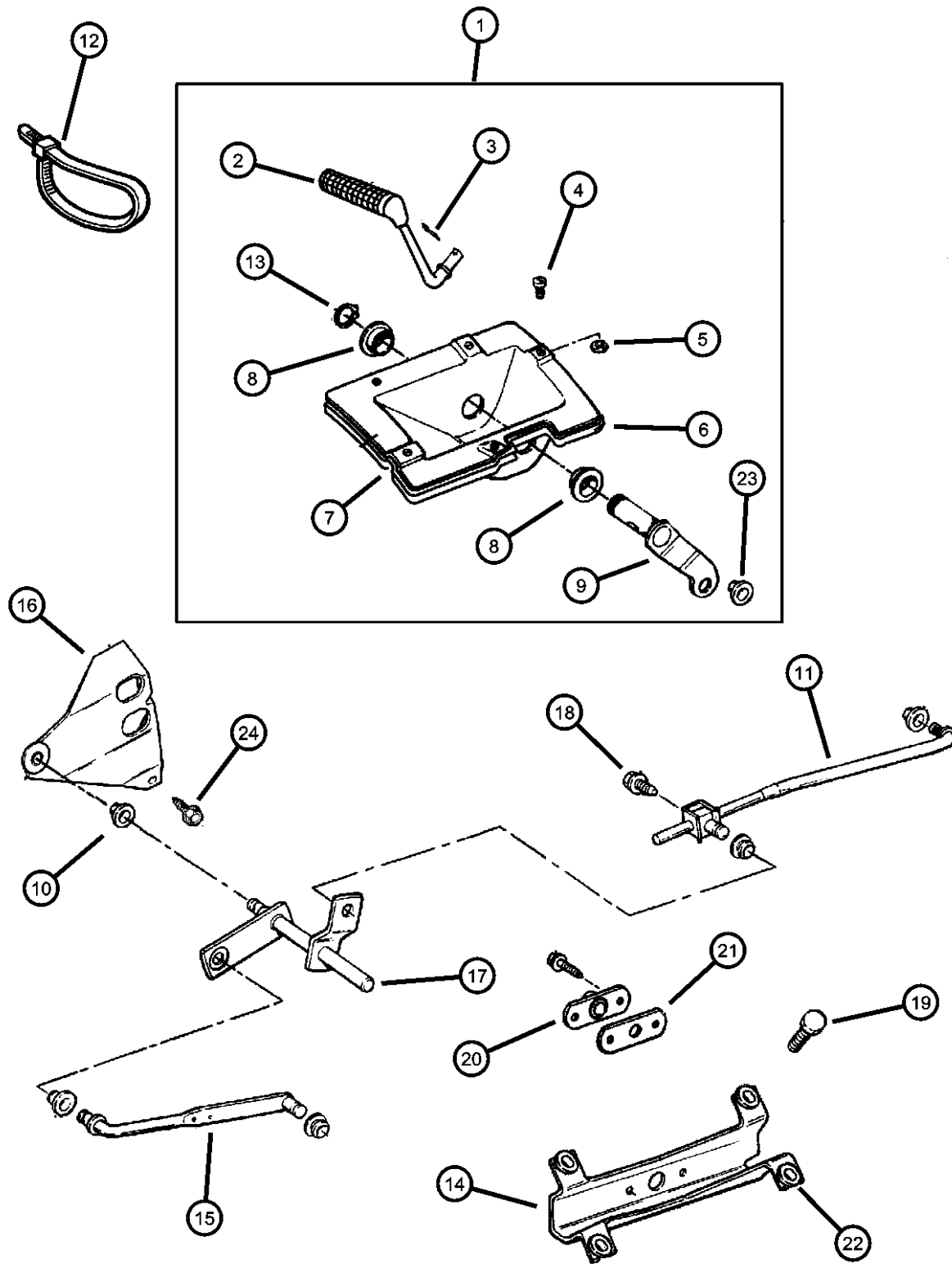


ITEM	PART NUMBER	QTY	LINE	SERIES	BODY	ENGINE	TRANS	TRIM	DESCRIPTION
15	52104018	1	J, U			ENC, ER0	DDQ		ROD, Gear Shift Control, Transfer Case
	53004941	1	J, U			EP0			
	53004942	1	J, U			ER0	DG0		
	53005448	1	J, U			ER0	DDQ		
16									BRACKET, Torque Shaft
	52077574	1	J, U			ER0	DDQ		
	52078605	1	J, U			ENC	DBB		
	53005069	1	J, U			EP0			
	53005071	1	J, U			ER0	DG0		
17									TORQUE SHAFT, Transfer Case
	52078541	1	J, U			ENC	DBB		
	53005151	1	J, U			EP0			
	53005552	1	J, U			ER0	DDQ		
18	J4006036	1	J, U						BOLT, Hex Head, .312-18x.50
19	06503811	4	J, U						BOLT, Hex Head, M6x1.00x20.00
20	52078134	1	J, U			EP0			BEARING, Transfer Case Shift
21									GASKET, Gearshift Control Rod
	53005154	1	J, U			ER0	DG0		
		1	J, U			ENC, ER0	DDQ		
22									GROMMET
	52104014	4	J, U			EP0			52104017

CHEROKEE (XJ)
 SERIES LINE BODY ENGINE TRANSMISSION
 L = LOWLINE B = JEEP - 2WD (RHD) 72 = 2DR (101.4 WB) ENC = 2.5L 4 Cyl Turbo Diesel DCB = Transmission - 4-Speed Manual,T3340
 U = JEEP - 4WD (RHD) 74 = 4 DR (101.4 WB) Engine EPE = Engine - 2.5L Power Tech I-4 Cyl. DDQ = 5-Speed Manual Transmission
 T = LHD - (2WD) Engine ERH = 4.0L Power Tech I-6 Transmission DDX = 5-Speed HD Manual
 J = JEEP - - LHD (4WD) Engine ENO = Engines - ALL 4/5 CYL Turbo Diesel DGK = 4-Spd. Automatic 42RE
 ER0 = Engines - All 4.0L 6 Cyl Transmission DGS = 4-Speed Automatic AW4
 Gas EPO = ENGINES - ALL 2.5L 4 CYL GAS Transmission DGT = 4-Spd. Automatic 46RE
 Transmission DGW = TRANSMISSION - 4-SPD. AUTOMATIC,44RE
 DGX = 4-Speed Automatic Transmission DGY = No Description Available
 DGZ = Transmission- 4-Spd. Automatic,MT643
 DBB = ALL MANUAL TRANSMISSIONS
 DG0 = TRANSMISSIONS - ALL AUTOMATIC

AR = use ase required - = Non illustrated part

**Gearshift Controls Command Trac (DHN)
Figure 231-1220**



ITEM	PART NUMBER	QTY	LINE	SERIES	BODY	ENGINE	TRANS	TRIM	DESCRIPTION
		4	J, U			ER0	DG0		52104017
		4	J, U			ENC, ER0	DDQ		52104018
23									GROMMET, Control Rod Front
	03575333	AR	J, U			ENC	DBB		
		AR	J, U			EP0			
		AR	J, U			ER0			
24	11504336	1	J, U			ER0	DG0		BOLT, Hex Head, M8x1.25x16

CHEROKEE (XJ)

SERIES LINE
 L = LOWLINE B = JEEP - 2WD (RHD)
 U = JEEP - 4WD (RHD)
 T = LHD - (2WD)
 J = JEEP - - LHD (4WD)

BODY
 72 = 2DR (101.4 WB)
 74 = 4 DR (101.4 WB)

ENGINE TRANSMISSION
 ENC = 2.5L 4 Cyl Turbo Diesel Engine
 EPE = Engine - 2.5L Power Tech I-4 Cyl.
 ERH = 4.0L Power Tech I-6 Engine
 ENO = Engines - ALL 4/5 CYL Turbo Diesel
 ERO = Engines - All 4.0L 6 Cyl Gas
 EP0 = ENGINES - ALL 2.5L 4 CYL GAS

DCB = Transmission - 4-Speed Manual,T3340
 DDQ = 5-Speed Manual Transmission
 DDX = 5-Speed HD Manual Transmission
 DGD = 3-Spd. Automatic 30RH Transmission
 DGK = 4-Spd. Automatic 42RE Transmission
 DGS = 4-Speed Automatic AW4 Transmission
 DGT = 4-Spd. Automatic 46RE Transmission
 DGW = TRANSMISSION - 4-SPD. AUTOMATIC,44RE
 DGX = 4-Speed Automatic Transmission
 DGY = No Description Available
 DGZ = Transmission- 4-Spd. Automatic,MT643
 DBB = ALL MANUAL TRANSMISSIONS
 DG0 = TRANSMISSIONS - ALL AUTOMATIC

AR = use ase required - = Non illustrated part

Group - 242

Transfer Case Model 242 [DHC, DHP]

Group - 242 Transfer Case Model 242 [DHC, DHP]

Illustration Title

Group-Fig. No.

Transfer Case Assembly

Transfer Case Select Trac (DHP) Fig. 242 - 110

Case and Related Parts

Case and Related Parts Select Trac (DHP) Fig. 242 - 210

Gear Train

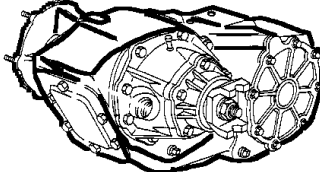
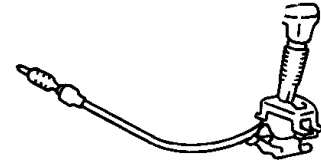
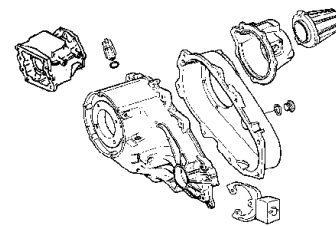
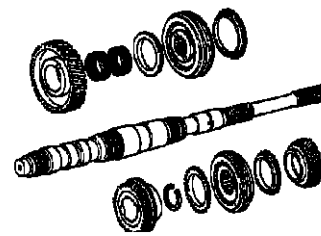
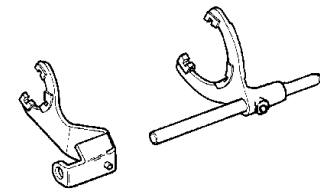
Gear Train Select Trac (DHP) Fig. 242 - 410

Fork and Rails

Fork and Rails Select Trac (DHP) Fig. 242 - 910

Gearshift Controls

Gearshift Controls Select Trac (DHP) Fig. 242 - 1210

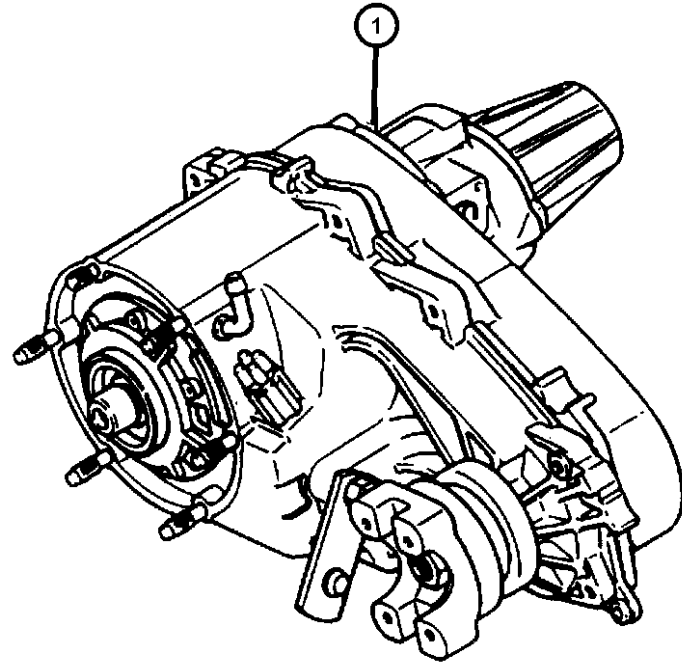
<p>242-100 Transfer Case Assembly</p> 	<p>242-1200 Gearshift Controls</p> 	<p>242-200 Case and Related Parts</p> 	<p>242-400 Gear Train</p> 
<p>242-900 Fork and Rails</p> 			

**Transfer Case Select Trac (DHP)
Figure 242-110**

ITEM	PART NUMBER	QTY	LINE	SERIES	BODY	ENGINE	TRANS	TRIM	DESCRIPTION
------	-------------	-----	------	--------	------	--------	-------	------	-------------

Notes:
ER0 = All 4.0L 6 Cylinder Gas Engine
DG0 = All Automatic Transmissions

1									TRANSFER CASE, NP242
	52098899	1	J, U			ER0	DG0		w/o Export Package (ABE), w/o Police Package (AHB) Mopar Remanufactured Part
	R2098899								
	52111083	1	J, U			ER0	DG0		w/ Export Package (ABE), w/ Police Package (AHB). Mopar Remanufactured Part
	R2111083								



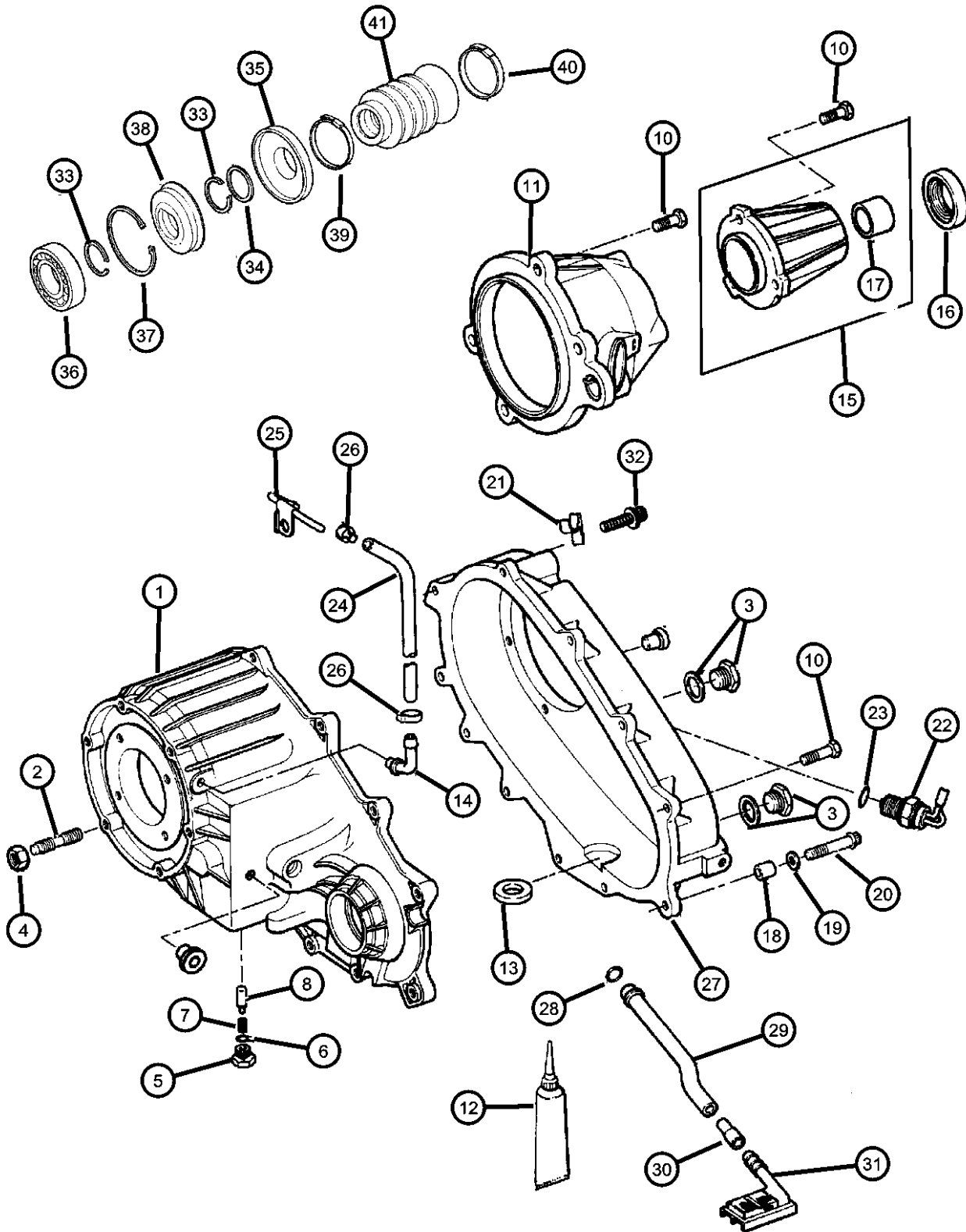
CHEROKEE (XJ)

SERIES	LINE	BODY	ENGINE	TRANSMISSION
L = LOWLINE	B = JEEP - 2WD (RHD) U = JEEP - 4WD (RHD) T = LHD - (2WD) J = JEEP - - LHD (4WD)	72 = 2DR (101.4 WB) 74 = 4 DR (101.4 WB)	ENC = 2.5L 4 Cyl Turbo Diesel Engine EPE = Engine - 2.5L Power Tech I-4 Cyl. ERH = 4.0L Power Tech I-6 Engine ENO = Engines - ALL 4/5 CYL Turbo Diesel ER0 = Engines - All 4.0L 6 Cyl Gas EPO = ENGINES - ALL 2.5L 4 CYL GAS	DCB = Transmission - 4-Speed Manual,T3340 DDQ = 5-Speed Manual Transmission DDX = 5-Speed HD Manual Transmission DGD = 3-Spd. Automatic 30RH Transmission DGK = 4-Spd. Automatic 42RE Transmission DGS = 4-Speed Automatic AW4 Transmission DGT = 4-Spd. Automatic 46RE Transmission DGW = TRANSMISSION - 4-SPD. AUTOMATIC,44RE DGX = 4-Speed Automatic Transmission DGY = No Description Available DGZ = Transmission- 4-Spd. Automatic,MT643 DBB = ALL MANUAL TRANSMISSIONS DG0 = TRANSMISSIONS - ALL AUTOMATIC

AR = use ase required - = Non illustrated part

1998 XJ

**Case and Related Parts Select Trac (DHP)
Figure 242-210**



ITEM	PART NUMBER	QTY	LINE	SERIES	BODY	ENGINE	TRANS	TRIM	DESCRIPTION
------	-------------	-----	------	--------	------	--------	-------	------	-------------

Notes:
 EPO= All 2.5L, 4 Cylinder, Gas Engine
 ER0= All 4.0L., 6 Cylinder, Gas Engine
 EN0= All 4/5 Cylinder, Turbo Diesel Engine
 DG0 = All Automatic Transmissions

1	04856389	1	J, U			ER0	DG0		CASE, Transfer Front 52111083
		1	J, U			ER0	DG0		52098899
2	04505365	6	J, U			ER0	DG0		STUD, M10x1.54x36 52098899
		6	J, U			ER0	DG0		52111083
3	04856641	2	J, U			ER0	DG0		PLUG, Oil Fill 52111083
		2	J, U			ER0	DG0		52098899
4	J4006681	6	J, U			EN0, ER0			NUT AND CONED WASHER, Hex, .375-24
5	04886473AA	1	J, U			ER0	DG0		SCREW
	53008216	1	J, U			ER0	DG0		With Transfer Case #(52098899) & (52111083)
6	04167963	1	J, U			ER0	DG0		SEAL, Vacuum Switch 52111083
		1	J, U			ER0	DG0		52098899
7	04638497	1	J, U			ER0	DG0		SPRING, Shift Detent 52111083

CHEROKEE (XJ)

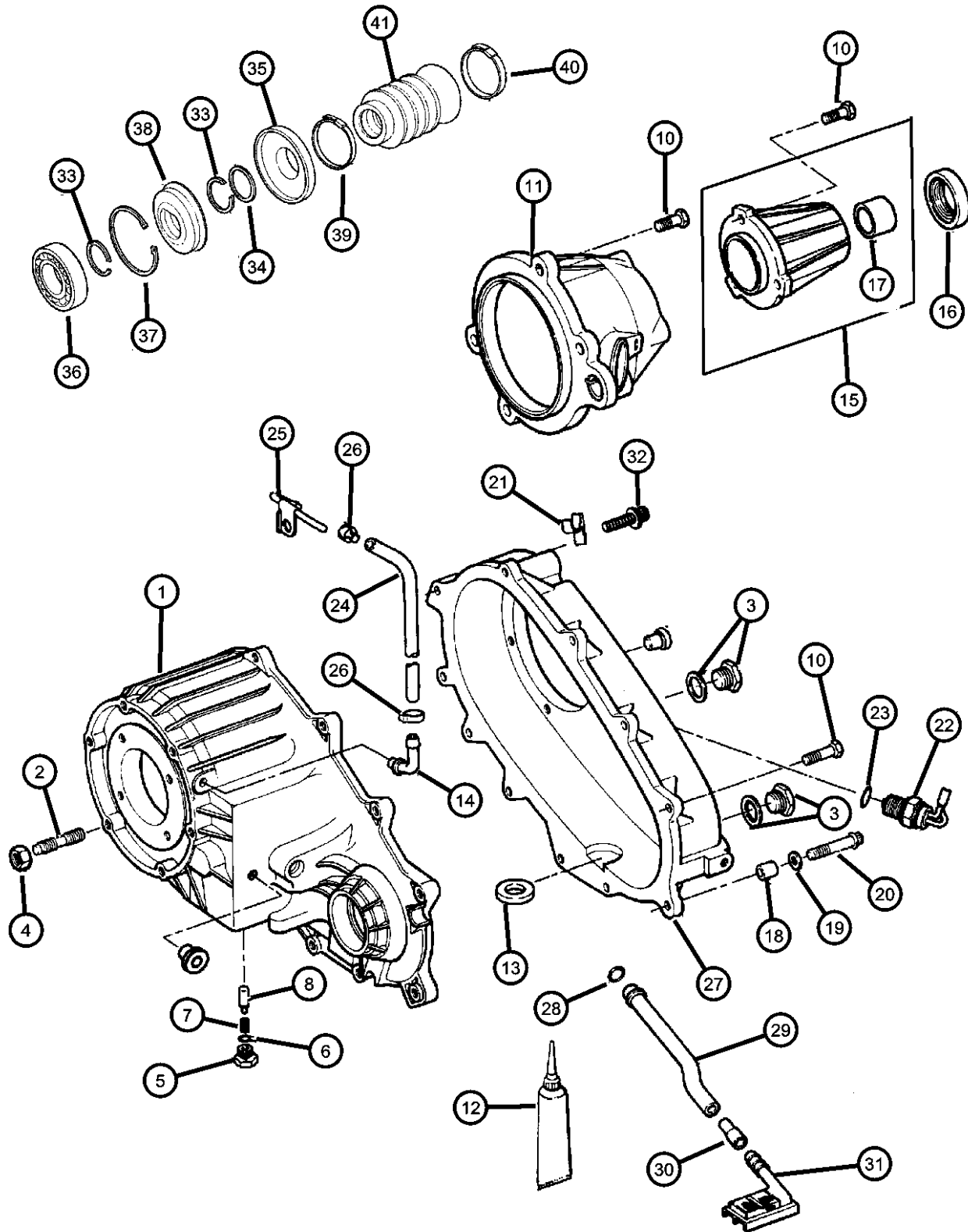
SERIES LINE
 L = LOWLINE B = JEEP - 2WD (RHD)
 U = JEEP - 4WD (RHD)
 T = LHD - (2WD)
 J = JEEP - - LHD (4WD)

BODY
 72 = 2DR (101.4 WB)
 74 = 4 DR (101.4 WB)

ENGINE TRANSMISSION
 ENC = 2.5L 4 Cyl Turbo Diesel Engine
 EPE = Engine - 2.5L Power Tech I-4 Cyl.
 ERH = 4.0L Power Tech I-6 Engine
 ENO = Engines - ALL 4/5 CYL Turbo Diesel
 ERO = Engines - All 4.0L 6 Cyl Gas
 EPO = ENGINES - ALL 2.5L 4 CYL GAS
 DCB = Transmission - 4-Speed Manual, T3340
 DDQ = 5-Speed Manual Transmission
 DDX = 5-Speed HD Manual Transmission
 DGD = 3-Spd. Automatic 30RH Transmission
 DGK = 4-Spd. Automatic 42RE Transmission
 DGS = 4-Speed Automatic AW4 Transmission
 DGT = 4-Spd. Automatic 46RE Transmission
 DGW = TRANSMISSION - 4-SPD. AUTOMATIC, 44RE
 DGX = 4-Speed Automatic Transmission
 DGY = No Description Available
 DGZ = Transmission- 4-Spd. Automatic, MT643
 DBB = ALL MANUAL TRANSMISSIONS
 DG0 = TRANSMISSIONS - ALL AUTOMATIC

AR = use ase required - = Non illustrated part

Case and Related Parts Select Trac (DHP)
Figure 242-210



ITEM	PART NUMBER	QTY	LINE	SERIES	BODY	ENGINE	TRANS	TRIM	DESCRIPTION
8		1	J, U			ER0	DG0		52098899 PLUNGER
	53008217	1	J, U			ER0	DG0		52098899
		1	J, U			ER0	DG0		52111083
-9		1							PLUG, (NOT SERVICED),
10									BOLT, Transfer Case
	04210617	12	J, U			ER0	DG0		52098899
		8	J, U			ER0	DG0		52111083
11									RETAINER, Transfer Case Rear
	04856391	1	J, U			ER0	DG0		52111083
		1	J, U			ER0	DG0		52098899
12									SEALANT, RTV
	04318025	1	J, U			ER0	DG0		52098899
		1	J, U			ER0	DG0		52111083
13									MAGNET, Transmission
	03681601	1	J, U			ER0	DG0		52111083
		1	J, U			ER0	DG0		52098899
14									VENT, Transfer Case
	04796910	1	J, U			ER0	DG0		52111083
		1	J, U			ER0	DG0		52098899
15									EXTENSION, Transfer Case
	04338973	1	J, U			ER0	DG0		52111083

CHEROKEE (XJ)

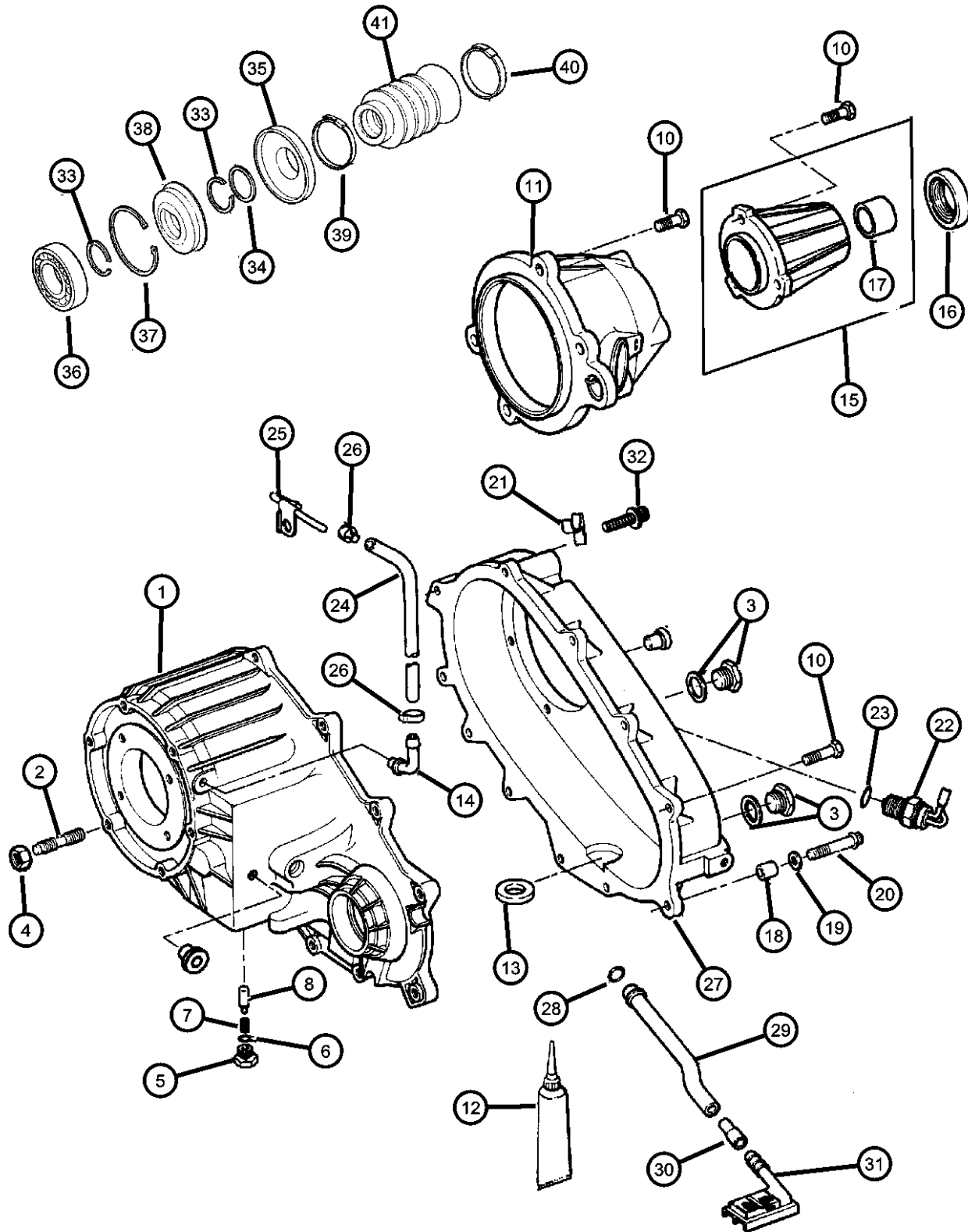
SERIES LINE
 L = LOWLINE B = JEEP - 2WD (RHD)
 U = JEEP - 4WD (RHD)
 T = LHD - (2WD)
 J = JEEP - - LHD (4WD)

BODY
 72 = 2DR (101.4 WB)
 74 = 4 DR (101.4 WB)

ENGINE TRANSMISSION
 ENC = 2.5L 4 Cyl Turbo Diesel Engine
 EPE = Engine - 2.5L Power Tech I-4 Cyl.
 ERH = 4.0L Power Tech I-6 Engine
 ENO = Engines - ALL 4/5 CYL Turbo Diesel
 ERO = Engines - All 4.0L 6 Cyl Gas
 EPO = ENGINES - ALL 2.5L 4 CYL GAS
 DCB = Transmission - 4-Speed Manual, T3340
 DDQ = 5-Speed Manual Transmission
 DDX = 5-Speed HD Manual Transmission
 DGD = 3-Spd. Automatic 30RH Transmission
 DGK = 4-Spd. Automatic 42RE Transmission
 DGS = 4-Speed Automatic AW4 Transmission
 DGT = 4-Spd. Automatic 46RE Transmission
 DGW = TRANSMISSION - 4-SPD. AUTOMATIC, 44RE
 DGX = 4-Speed Automatic Transmission
 DGY = No Description Available
 DGZ = Transmission- 4-Spd. Automatic, MT643
 DBB = ALL MANUAL TRANSMISSIONS
 DG0 = TRANSMISSIONS - ALL AUTOMATIC

AR = use ase required - = Non illustrated part

Case and Related Parts Select Trac (DHP)
Figure 242-210



ITEM	PART NUMBER	QTY	LINE	SERIES	BODY	ENGINE	TRANS	TRIM	DESCRIPTION
16		1	J, U			ER0	DG0		52098899 SEAL, Output Shaft
	04798117	1	J, U			ER0	DG0		52111083
		1	J, U			ER0	DG0		52098899
17		1	J, U			ER0	DG0		52098899 BUSHING, Extension Housing
	J8134490	1	J, U			ER0	DG0		52111083
		1	J, U			ER0	DG0		52111083
18		2	J, U			ER0	DG0		52098899 DOWEL, Transfer Case
	04116310	2	J, U			ER0	DG0		52111083
		2	J, U			ER0	DG0		52098899
19		1	J, U			ER0	DG0		52111083 WASHER, Flat
	83503512	1	J, U			ER0	DG0		52098899
		1	J, U			ER0	DG0		52098899
20		2	J, U			ER0	DG0		52111083 BOLT, Hex Flange Head
	04210614	2	J, U			ER0	DG0		52098899
		2	J, U			ER0	DG0		52098899
21		1	J, U			ER0	DG0		52098899 CLIP
	52118181	1	J, U			ER0	DG0		52111083
		1	J, U			ER0	DG0		52111083
22		1	J, U			ER0	DG0		52098899 SWITCH, Transfer Case Mode
	56006755	1	J, U			ER0	DG0		52111083
		1	J, U			ER0	DG0		52111083

CHEROKEE (XJ)

SERIES LINE
L = LOWLINE B = JEEP - 2WD (RHD)
U = JEEP - 4WD (RHD)
T = LHD - (2WD)
J = JEEP - - LHD (4WD)

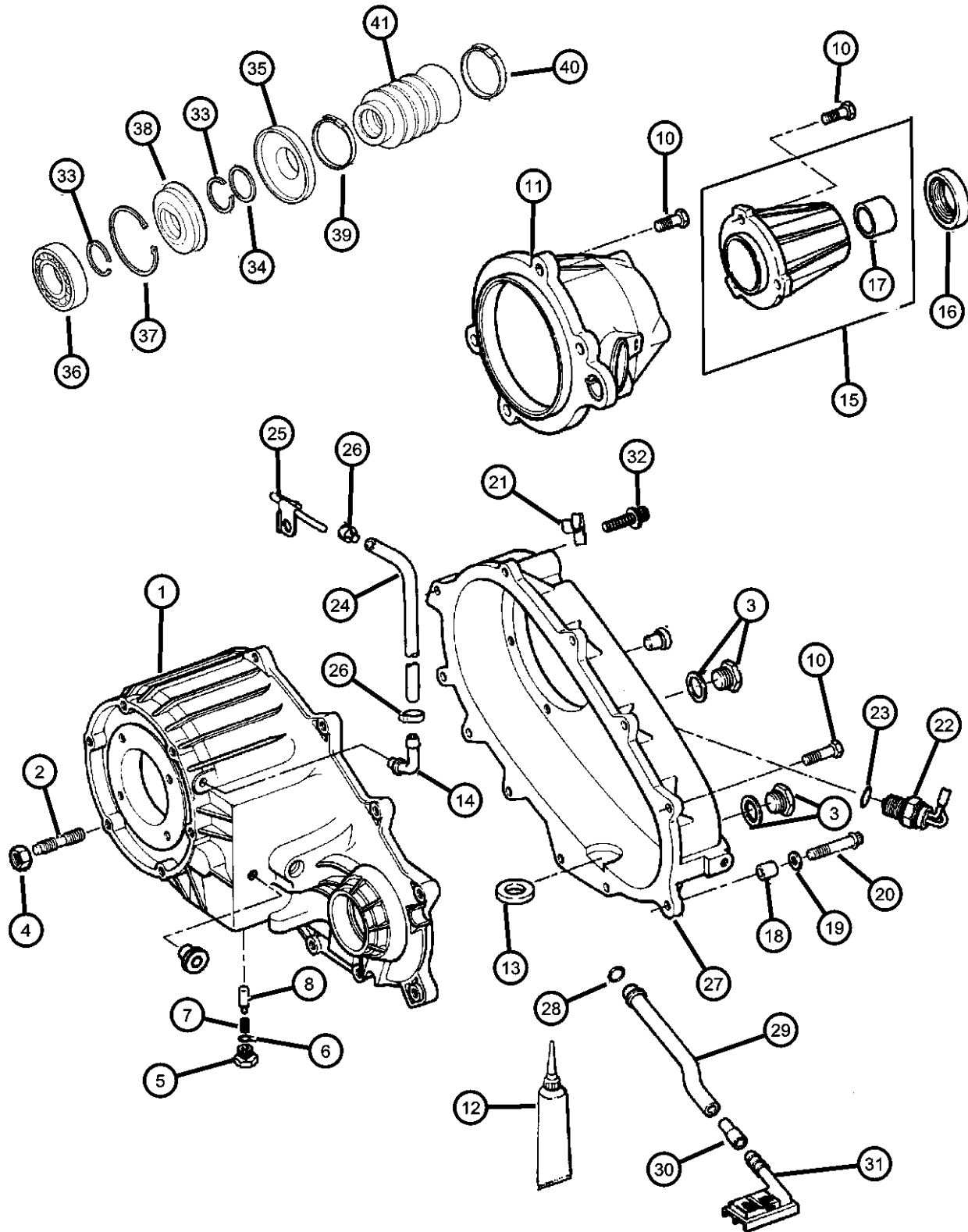
BODY
72 = 2DR (101.4 WB)
74 = 4 DR (101.4 WB)

ENGINE TRANSMISSION
ENC = 2.5L 4 Cyl Turbo Diesel Engine
EPE = Engine - 2.5L Power Tech I-4 Cyl.
ERH = 4.0L Power Tech I-6 Engine
ENO = Engines - ALL 4/5 CYL Turbo Diesel
ERO = Engines - All 4.0L 6 Cyl Gas
EPO = ENGINES - ALL 2.5L 4 CYL GAS
DCB = Transmission - 4-Speed Manual, T3340
DDQ = 5-Speed Manual Transmission
DDX = 5-Speed HD Manual Transmission
DGD = 3-Spd. Automatic 30RH Transmission
DGK = 4-Spd. Automatic 42RE Transmission
DGS = 4-Speed Automatic AW4 Transmission
DGT = 4-Spd. Automatic 46RE Transmission
DGW = TRANSMISSION - 4-SPD. AUTOMATIC, 44RE
DGX = 4-Speed Automatic Transmission
DGY = No Description Available
DGZ = Transmission- 4-Spd. Automatic, MT643
DBB = ALL MANUAL TRANSMISSIONS
DG0 = TRANSMISSIONS - ALL AUTOMATIC

AR = use ase required - = Non illustrated part

1998 XJ

Case and Related Parts Select Trac (DHP)
Figure 242-210



ITEM	PART NUMBER	QTY	LINE	SERIES	BODY	ENGINE	TRANS	TRIM	DESCRIPTION
23	04338956	1	J, U			ER0	DG0		SEAL, Vacuum Switch 52098899
		1	J, U			ER0	DG0		52111083
24	04443176	1							HOSE, Fuel, .31 I.D. 50 Foot Roll
25	53007494	1	J, U						VENT, Transfer Case
26	06502081	2	J, U						CLAMP, Oil Cooler Line
27									CASE, Transfer Case Rear
	04874298	1	J, U			ER0	DG0		52111083
		1	J, U			ER0	DG0		52098899
28									SEAL, Oil
	04338942	1	J, U			ER0	DG0		52111083
		1	J, U			ER0	DG0		52098899
29									TUBE, Oil Pickup
	83503523	1	J, U			ER0	DG0		52111083
		1	J, U			ER0	DG0		52098899
30									CONNECTOR, Oil Tube Pickup
	04338944	1	J, U			ER0	DG0		52111083
		1	J, U			ER0	DG0		52098899
31									FILTER, Transfer Case Oil
	04338943	1	J, U			ER0	DG0		52111083
		1	J, U			ER0	DG0		52098899
32									BOLT, Twelve Point Head, M10x1.5x48

CHEROKEE (XJ)

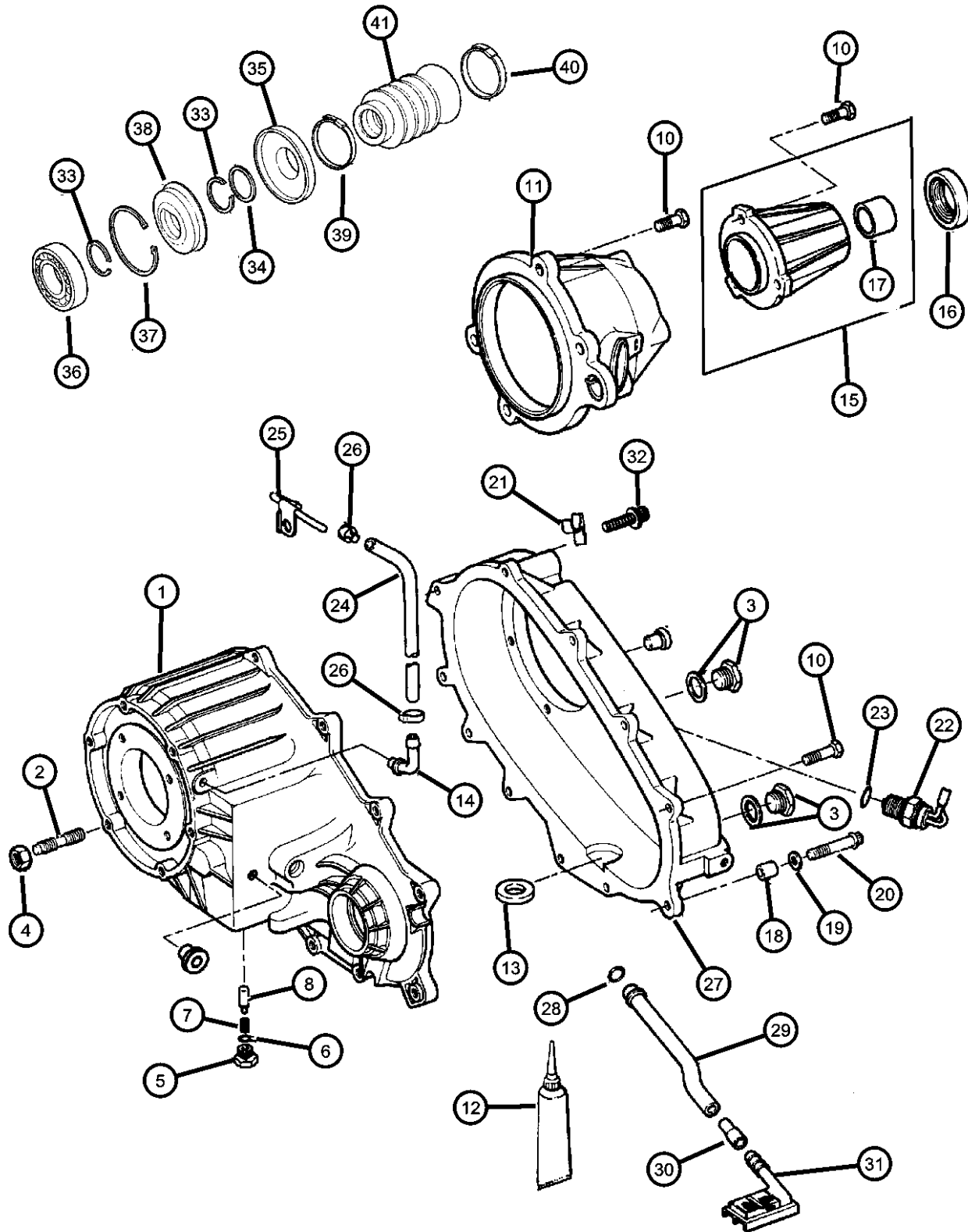
SERIES LINE
L = LOWLINE B = JEEP - 2WD (RHD)
U = JEEP - 4WD (RHD)
T = LHD - (2WD)
J = JEEP - - LHD (4WD)

BODY
72 = 2DR (101.4 WB)
74 = 4 DR (101.4 WB)

ENGINE TRANSMISSION
ENC = 2.5L 4 Cyl Turbo Diesel Engine
EPE = Engine - 2.5L Power Tech I-4 Cyl.
ERH = 4.0L Power Tech I-6 Engine
ENO = Engines - ALL 4/5 CYL Turbo Diesel
ERO = Engines - All 4.0L 6 Cyl Gas
EPO = ENGINES - ALL 2.5L 4 CYL GAS
DCB = Transmission - 4-Speed Manual,T3340
DDQ = 5-Speed Manual Transmission
DDX = 5-Speed HD Manual Transmission
DGD = 3-Spd. Automatic 30RH Transmission
DGK = 4-Spd. Automatic 42RE Transmission
DGS = 4-Speed Automatic AW4 Transmission
DGT = 4-Spd. Automatic 46RE Transmission
DGW = TRANSMISSION - 4-SPD. AUTOMATIC,44RE
DGX = 4-Speed Automatic Transmission
DGY = No Description Available
DGZ = Transmission- 4-Spd. Automatic,MT643
DBB = ALL MANUAL TRANSMISSIONS
DG0 = TRANSMISSIONS - ALL AUTOMATIC

AR = use ase required - = Non illustrated part

Case and Related Parts Select Trac (DHP)
Figure 242-210



ITEM	PART NUMBER	QTY	LINE	SERIES	BODY	ENGINE	TRANS	TRIM	DESCRIPTION
	J8130979	1	J, U			ER0	DG0		52111083
		1	J, U			ER0	DG0		52098899
33	J8134488	2	J, U			ER0	DG0		SNAP RING 52111083
		2	J, U			ER0	DG0		52098899
34	04798118	1	J, U			ER0	DG0		WASHER 52111083
		1	J, U			ER0	DG0		52098899
35	04798119	1	J, U			ER0	DG0		SLINGER, Oil 52111083
		1	J, U			ER0	DG0		52098899
36	04338892	2	J, U			ER0	DG0		BEARING 52111083
		1	J, U			ER0	DG0		52098899
37	04798116	1	J, U			ER0	DG0		SNAP RING 52111083
		1	J, U			ER0	DG0		52098899
38	04798117	1	J, U			ER0	DG0		SEAL, Output Shaft 52111083
		1	J, U			ER0	DG0		52098899
39	04798121	1	J, U			ER0	DG0		CLAMP, Boot 52111083

CHEROKEE (XJ)

SERIES LINE
L = LOWLINE B = JEEP - 2WD (RHD)
U = JEEP - 4WD (RHD)
T = LHD - (2WD)
J = JEEP - - LHD (4WD)

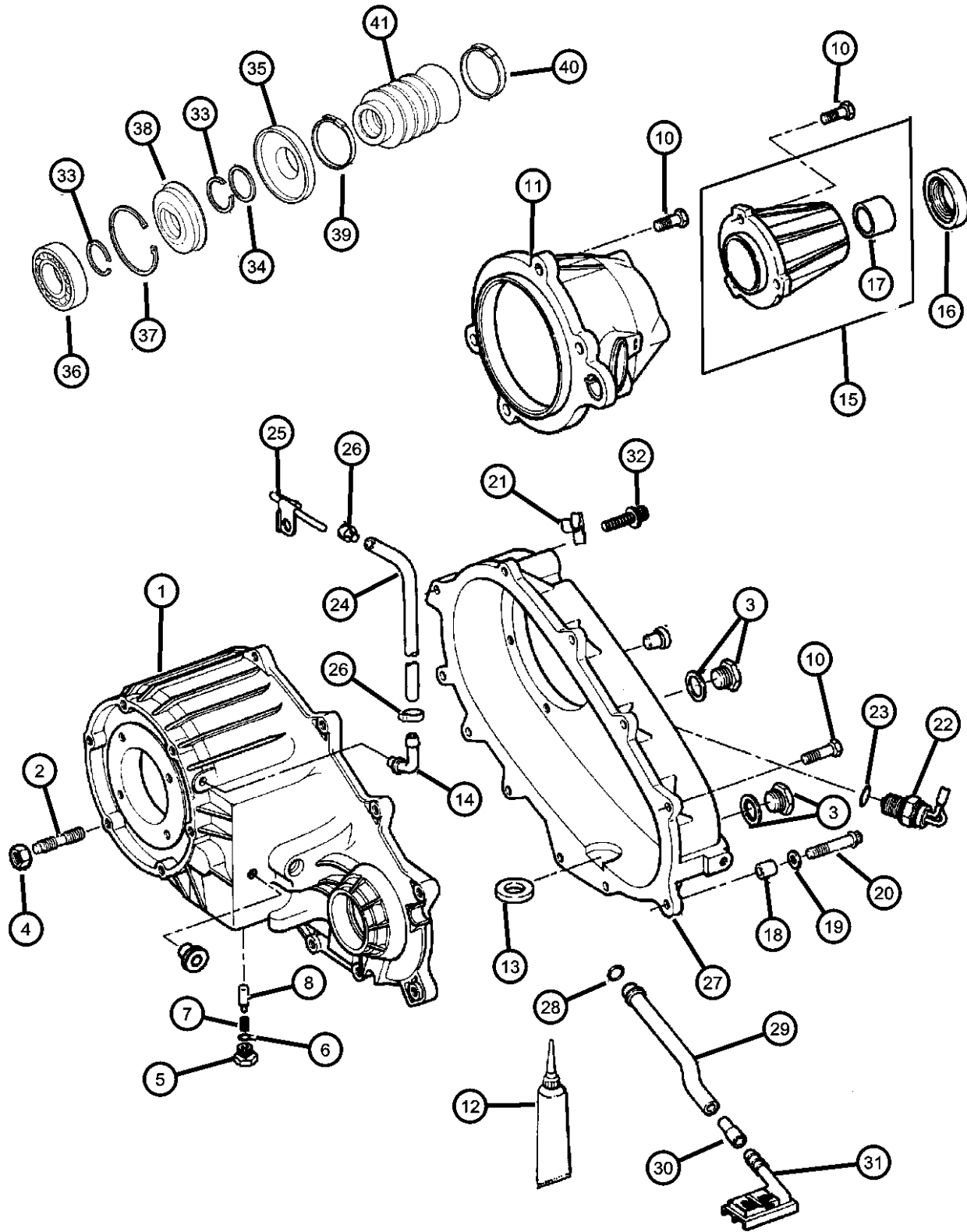
BODY
72 = 2DR (101.4 WB)
74 = 4 DR (101.4 WB)

ENGINE TRANSMISSION
ENC = 2.5L 4 Cyl Turbo Diesel Engine
EPE = Engine - 2.5L Power Tech I-4 Cyl.
ERH = 4.0L Power Tech I-6 Engine
ENO = Engines - ALL 4/5 CYL Turbo Diesel
ERO = Engines - All 4.0L 6 Cyl Gas
EPO = ENGINES - ALL 2.5L 4 CYL GAS
DCB = Transmission - 4-Speed Manual, T3340
DDQ = 5-Speed Manual Transmission
DDX = 5-Speed HD Manual Transmission
DGD = 3-Spd. Automatic 30RH Transmission
DGK = 4-Spd. Automatic 42RE Transmission
DGS = 4-Speed Automatic AW4 Transmission
DGT = 4-Spd. Automatic 46RE Transmission
DGW = TRANSMISSION - 4-SPD. AUTOMATIC, 44RE
DGX = 4-Speed Automatic Transmission
DGY = No Description Available
DGZ = Transmission- 4-Spd. Automatic, MT643
DBB = ALL MANUAL TRANSMISSIONS
DG0 = TRANSMISSIONS - ALL AUTOMATIC

AR = use ase required - = Non illustrated part

1998 XJ

Case and Related Parts Select Trac (DHP)
Figure 242-210



ITEM	PART NUMBER	QTY	LINE	SERIES	BODY	ENGINE	TRANS	TRIM	DESCRIPTION
40		1	J, U			ER0	DG0		52098899 CLAMP, Boot
	04798122	1	J, U			ER0	DG0		52111083
41		1	J, U			ER0	DG0		52098899 BOOT, Driveshaft
	04798123	1	J, U			ER0	DG0		52111083
		1	J, U			ER0	DG0		52098899

CHEROKEE (XJ)

SERIES LINE
L = LOWLINE B = JEEP - 2WD (RHD)
U = JEEP - 4WD (RHD)
T = LHD - (2WD)
J = JEEP - - LHD (4WD)

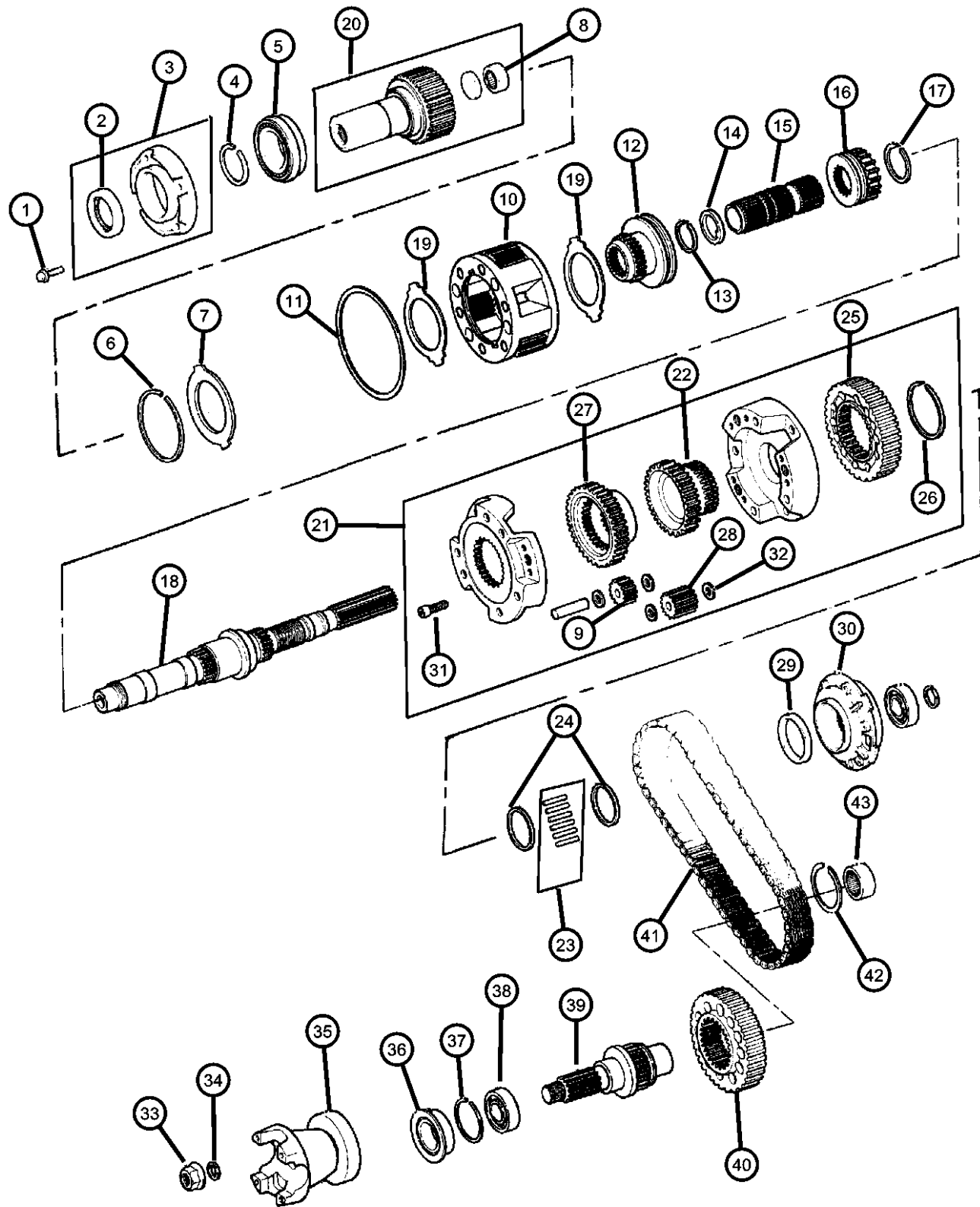
BODY
72 = 2DR (101.4 WB)
74 = 4 DR (101.4 WB)

ENGINE TRANSMISSION
ENC = 2.5L 4 Cyl Turbo Diesel Engine DCB = Transmission - 4-Speed Manual,T3340
EPE = Engine - 2.5L Power Tech I-4 Cyl. DDQ = 5-Speed Manual Transmission
ERH = 4.0L Power Tech I-6 Transmission DDX = 5-Speed HD Manual
Engine DGD = 3-Spd. Automatic 30RH
ENO = Engines - ALL 4/5 CYL Turbo Diesel Transmission
ERO = Engines - All 4.0L 6 Cyl Gas DGK = 4-Spd. Automatic 42RE
EPO = ENGINES - ALL 2.5L 4 CYL GAS DGS = 4-Speed Automatic AW4 Transmission
CYL GAS DGT = 4-Spd. Automatic 46RE Transmission
DGW = TRANSMISSION - 4-SPD. AUTOMATIC,44RE
DGX = 4-Speed Automatic Transmission
DGY = No Description Available
DGZ = Transmission- 4-Spd. Automatic,MT643
DBB = ALL MANUAL TRANSMISSIONS
DG0 = TRANSMISSIONS - ALL AUTOMATIC

AR = use ase required - = Non illustrated part

1998 XJ

**Gear Train Select Trac (DHP)
Figure 242-410**



ITEM	PART NUMBER	QTY	LINE	SERIES	BODY	ENGINE	TRANS	TRIM	DESCRIPTION
1	06500318	4	J, U			ER0	DG0		BOLT
		4	J, U			ER0	DG0		52111083
									52098899
2	04167929	1	J, U			ER0	DG0		SEAL, Input Gear
		1	J, U			ER0	DG0		52111083
									52098899
3	04338973	1	J, U			ER0	DG0		EXTENSION, Transfer Case
		1	J, U			ER0	DG0		52111083
									52098899
4	03821558	1	J, U			ER0	DG0		SNAP RING
		1	J, U			ER0	DG0		52111083
						EP0	DDQ		52099310
5	04746155	1	J, U			ER0	DG0		BEARING, Input Gear
		1	J, U			ER0	DG0		52111083
						ER0	DG0		52098899
6	04338910	1	J, U			ER0	DG0		SNAP RING
		1	J, U			ER0	DG0		52111083
						ER0	DG0		52098899
7	04338909	1	J, U			ER0	DG0		RING
		1	J, U			ER0	DG0		52111083

Notes:
ER0= All 4.0L., 6 Cylinder, Gas Engine
DG0 = All Automatic Transmissions

CHEROKEE (XJ)

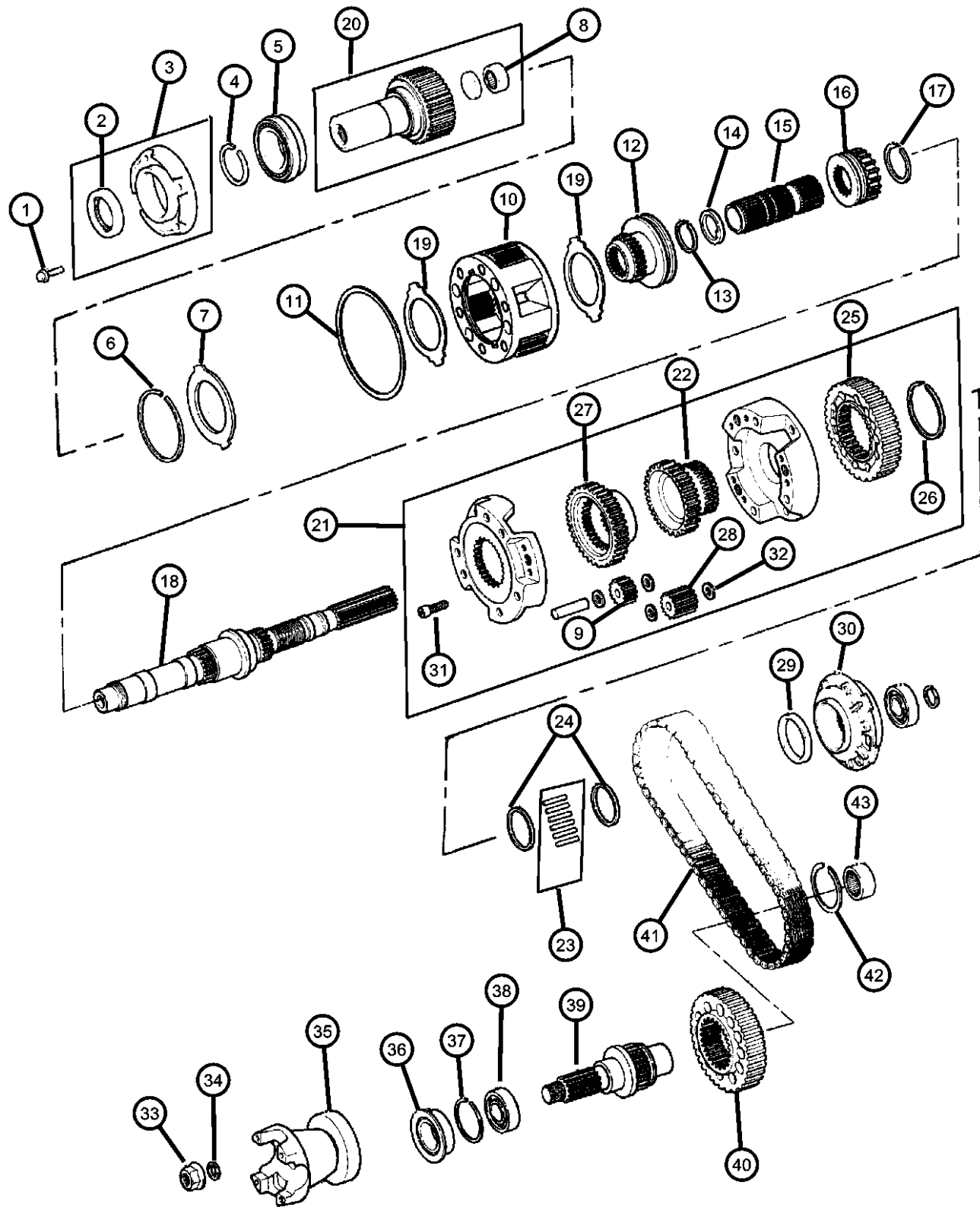
SERIES LINE
L = LOWLINE B = JEEP - 2WD (RHD)
U = JEEP - 4WD (RHD)
T = LHD - (2WD)
J = JEEP - - LHD (4WD)

BODY
72 = 2DR (101.4 WB)
74 = 4 DR (101.4 WB)

ENGINE TRANSMISSION
ENC = 2.5L 4 Cyl Turbo Diesel Engine
EPE = Engine - 2.5L Power Tech I-4 Cyl.
ERH = 4.0L Power Tech I-6 Engine
ENO = Engines - ALL 4/5 CYL Turbo Diesel
ER0 = Engines - All 4.0L 6 Cyl Gas
EP0 = ENGINES - ALL 2.5L 4 CYL GAS
DCB = Transmission - 4-Speed Manual,T3340
DDQ = 5-Speed Manual Transmission
DDX = 5-Speed HD Manual Transmission
DGD = 3-Spd. Automatic 30RH Transmission
DGK = 4-Spd. Automatic 42RE Transmission
DGS = 4-Speed Automatic AW4 Transmission
DGT = 4-Spd. Automatic 46RE Transmission
DGW = TRANSMISSION - 4-SPD. AUTOMATIC,44RE
DGX = 4-Speed Automatic Transmission
DGY = No Description Available
DGZ = Transmission- 4-Spd. Automatic,MT643
DBB = ALL MANUAL TRANSMISSIONS
DG0 = TRANSMISSIONS - ALL AUTOMATIC

AR = use ase required - = Non illustrated part

**Gear Train Select Trac (DHP)
Figure 242-410**



ITEM	PART NUMBER	QTY	LINE	SERIES	BODY	ENGINE	TRANS	TRIM	DESCRIPTION
15	04798277	1	J, U			ER0	DG0		SHAFT, Intermediate
		1	J, U			ER0	DG0		52111083
									52098899
16	83503542	1	J, U			ER0	DG0		SLEEVE, Mode Synchronizer
		1	J, U			ER0	DG0		52111083
									52098899
17	83503537	1	J, U			ER0	DG0		SNAP RING
		1	J, U			ER0	DG0		52111083
									52098899
18	04798145	1	J, U			ER0	DG0		MAINSHAFT, Transfer Case
		1	J, U			ER0	DG0		52111083
									52098899
19	04338908	2	J, U			ER0	DG0		THRUST WASHER, Planetary Carrier
		2	J, U			ER0	DG0		52111083
									52098899
20	04798126	1	J, U			ER0	DG0		GEAR, Input
		1	J, U			ER0	DG0		52111083
									52098899
21	83503529	1	J, U			ER0	DG0		DIFFERENTIAL, Transfer Case
		1	J, U			ER0	DG0		52111083
									52098899
22									SPROCKET, Transfer Case

CHEROKEE (XJ)

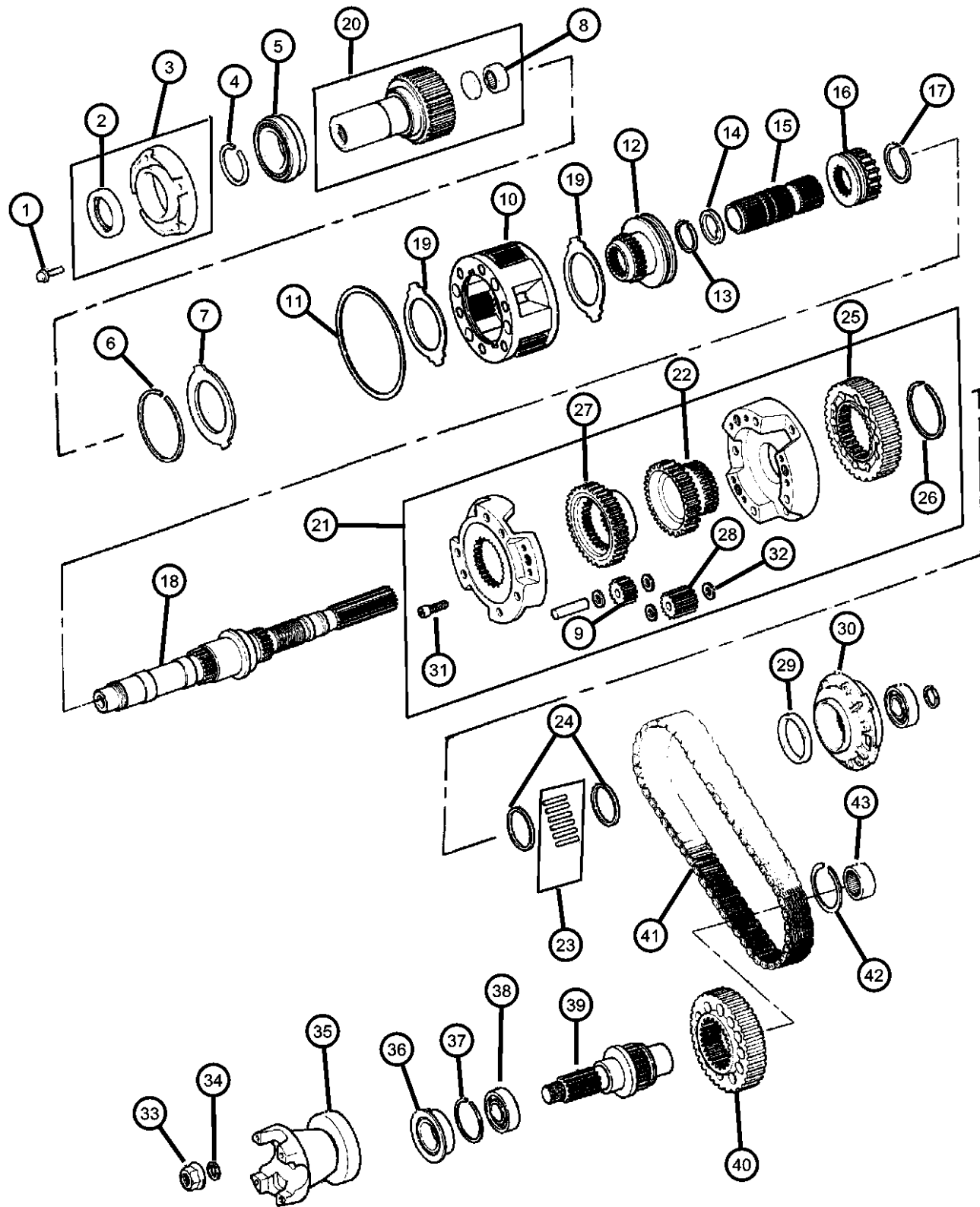
SERIES LINE
 L = LOWLINE B = JEEP - 2WD (RHD)
 U = JEEP - 4WD (RHD)
 T = LHD - (2WD)
 J = JEEP - - LHD (4WD)

BODY
 72 = 2DR (101.4 WB)
 74 = 4 DR (101.4 WB)

ENGINE TRANSMISSION
 ENC = 2.5L 4 Cyl Turbo Diesel Engine
 EPE = Engine - 2.5L Power Tech I-4 Cyl.
 ERH = 4.0L Power Tech I-6 Engine
 ENO = Engines - ALL 4/5 CYL Turbo Diesel
 ERO = Engines - All 4.0L 6 Cyl Gas
 EPO = ENGINES - ALL 2.5L 4 CYL GAS
 DCB = Transmission - 4-Speed Manual, T3340
 DDQ = 5-Speed Manual Transmission
 DDX = 5-Speed HD Manual Transmission
 DGD = 3-Spd. Automatic 30RH Transmission
 DGK = 4-Spd. Automatic 42RE Transmission
 DGS = 4-Speed Automatic AW4 Transmission
 DGT = 4-Spd. Automatic 46RE Transmission
 DGW = TRANSMISSION - 4-SPD. AUTOMATIC, 44RE
 DGX = 4-Speed Automatic Transmission
 DGY = No Description Available
 DGZ = Transmission- 4-Spd. Automatic, MT643
 DBB = ALL MANUAL TRANSMISSIONS
 DG0 = TRANSMISSIONS - ALL AUTOMATIC

AR = use ase required - = Non illustrated part

**Gear Train Select Trac (DHP)
Figure 242-410**



ITEM	PART NUMBER	QTY	LINE	SERIES	BODY	ENGINE	TRANS	TRIM	DESCRIPTION
23	83503530	1	J, U			ER0	DG0		52111083
		1	J, U			ER0	DG0		52098899
24	83503543	1	J, U			ER0	DG0		BEARING PACKAGE, Transfer Case
		1	J, U			ER0	DG0		52111083
25	83503533	1	J, U			ER0	DG0		52098899
		2	J, U			ER0	DG0		SPACER, Sprocket
26	83503531	1	J, U			ER0	DG0		52111083
		1	J, U			ER0	DG0		52098899
27	83503532	2	J, U			ER0	DG0		SPROCKET, Transfer Case
		1	J, U			ER0	DG0		52111083
28	83503536	1	J, U			ER0	DG0		52098899
		1	J, U			ER0	DG0		SNAP RING
29	83504169	3	J, U			ER0	DG0		52111083
		1	J, U			ER0	DG0		52098899
	04210603	1	J, U			ER0	DG0		SEAL, Main Shaft

CHEROKEE (XJ)

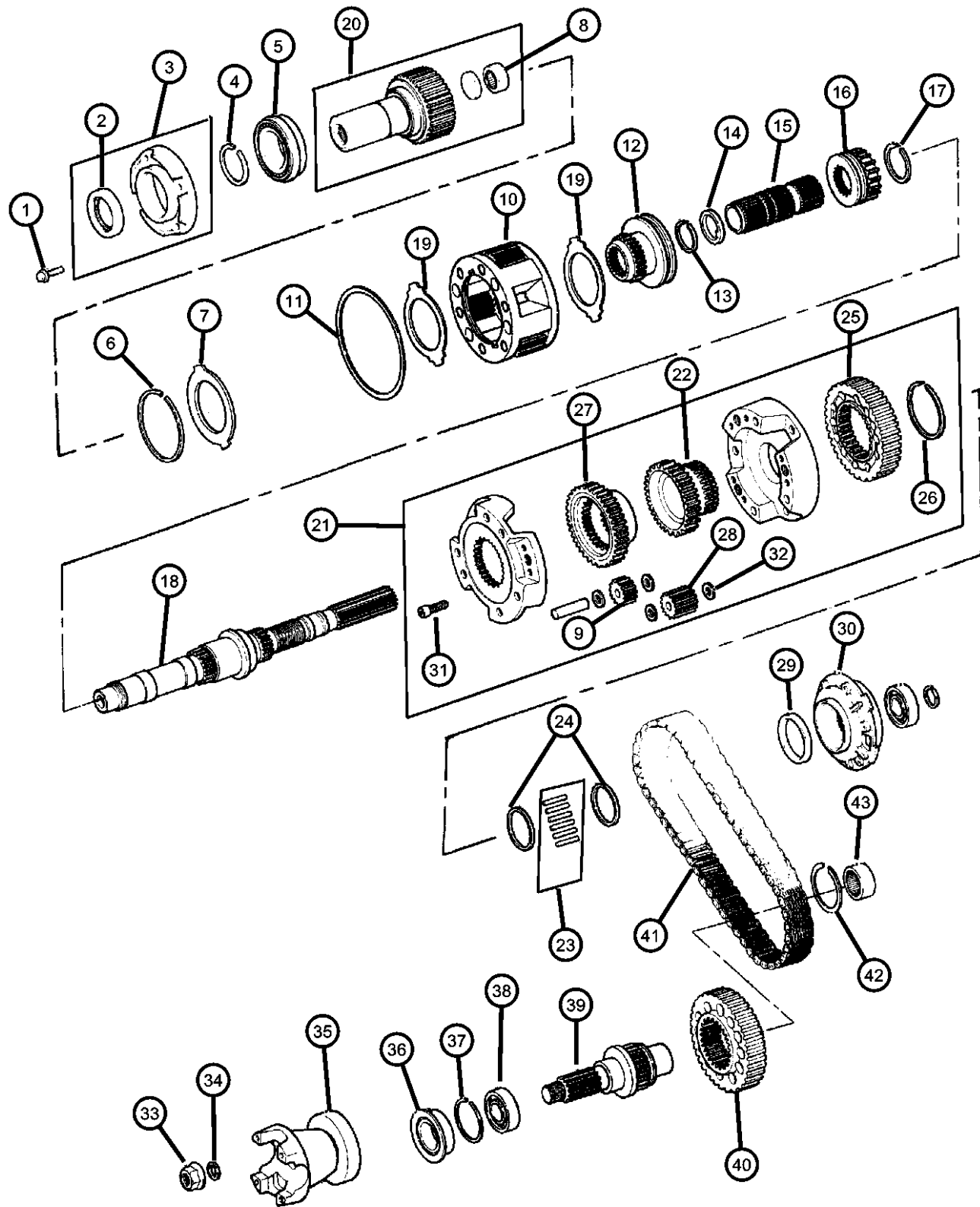
SERIES LINE
L = LOWLINE B = JEEP - 2WD (RHD)
 U = JEEP - 4WD (RHD)
 T = LHD - (2WD)
 J = JEEP - - LHD (4WD)

BODY
72 = 2DR (101.4 WB)
74 = 4 DR (101.4 WB)

ENGINE TRANSMISSION
ENC = 2.5L 4 Cyl Turbo Diesel Engine DCB = Transmission - 4-Speed Manual, T3340
EPE = Engine - 2.5L Power Tech I-4 Cyl. DDQ = 5-Speed Manual Transmission
ERH = 4.0L Power Tech I-6 Engine DDG = 5-Speed HD Manual Transmission
 DGD = 3-Spd. Automatic 30RH Transmission
ENO = Engines - ALL 4/5 CYL Turbo Diesel DGK = 4-Spd. Automatic 42RE Transmission
ERO = Engines - All 4.0L 6 Cyl Gas DGS = 4-Speed Automatic AW4 Transmission
EPO = ENGINES - ALL 2.5L 4 CYL GAS DGT = 4-Spd. Automatic 46RE Transmission
 DGW = TRANSMISSION - 4-SPD. AUTOMATIC, 44RE
 DGX = 4-Speed Automatic Transmission
 DGY = No Description Available
 DGZ = Transmission- 4-Spd. Automatic, MT643
 DBB = ALL MANUAL TRANSMISSIONS
 DG0 = TRANSMISSIONS - ALL AUTOMATIC

AR = use ase required - = Non illustrated part

**Gear Train Select Trac (DHP)
Figure 242-410**



ITEM	PART NUMBER	QTY	LINE	SERIES	BODY	ENGINE	TRANS	TRIM	DESCRIPTION
30		1	J, U			ER0	DG0		52098899
	04338936	1	J, U			ER0	DG0		PUMP, Transfer Case Oil
		1	J, U			ER0	DG0		52111083
31		1	J, U			ER0	DG0		52098899
	03820898	3	J, U			ER0	DG0		SCREW
		3	J, U			ER0	DG0		52111083
			J, U			ER0	DG0		52098899
32		12	J, U			ER0	DG0		WASHER, Differential Gear
	83504168	12	J, U			ER0	DG0		52111083
		1	J, U			ER0	DG0		52098899
33			J, U			ER0	DG0		NUT, Transfer Case Yoke
	04167924	1	J, U			ER0	DG0		52111083
		1	J, U			ER0	DG0		52098899
34			J, U			ER0	DG0		WASHER, Transfer Case Yoke
	04210973	1	J, U			ER0	DG0		52098899
		1	J, U			ER0	DG0		52111083
35			J, U			ER0	DG0		YOKE, Transfer Case
	04798138	1	J, U			ER0	DG0		52111083
		1	J, U			ER0	DG0		52098899
36			J, U			ER0	DG0		SEAL, Output Shaft
	04798125	1	J, U			ER0	DG0		52111083
		1	J, U			ER0	DG0		52098899

CHEROKEE (XJ)

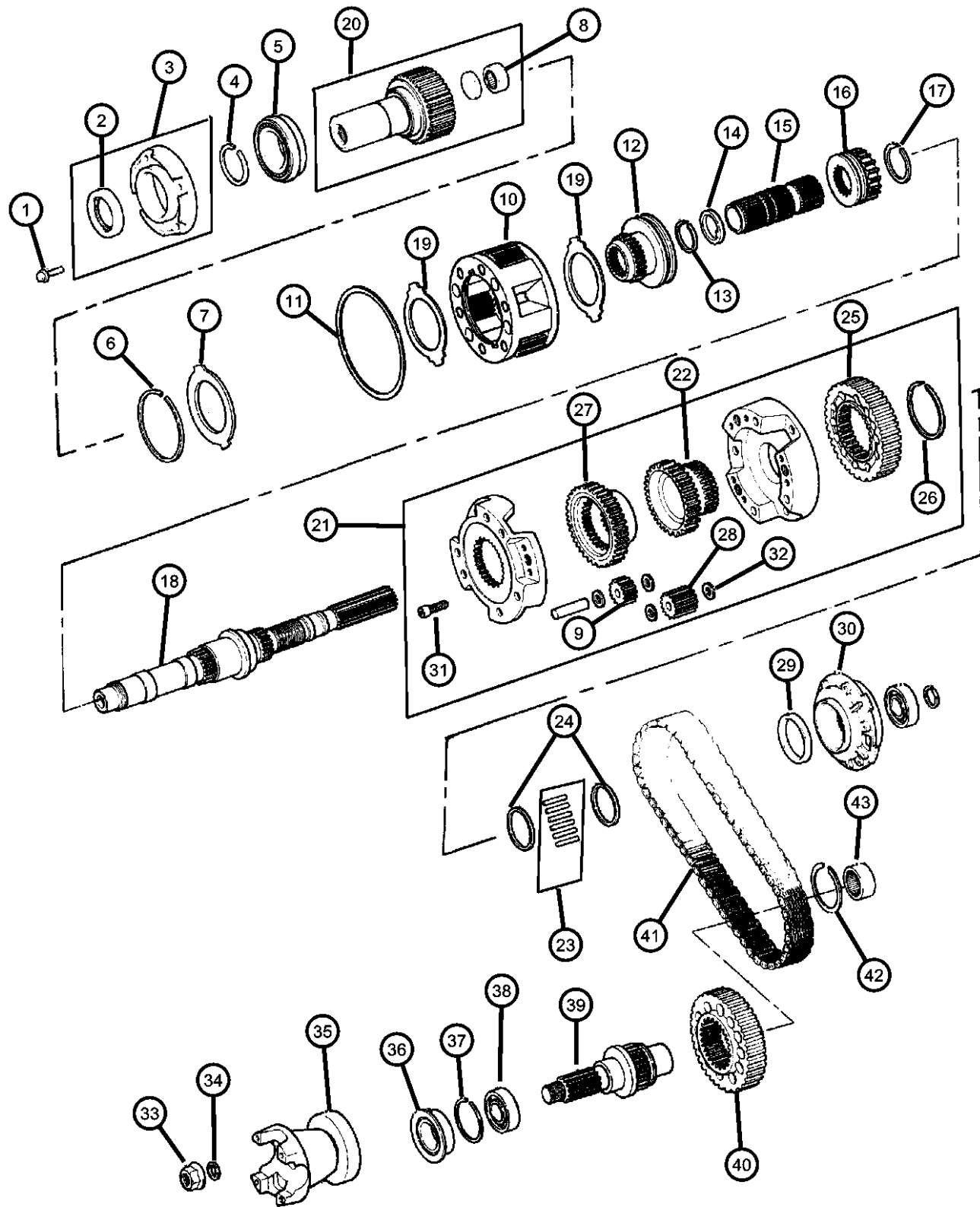
SERIES LINE
 L = LOWLINE B = JEEP - 2WD (RHD)
 U = JEEP - 4WD (RHD)
 T = LHD - (2WD)
 J = JEEP - - LHD (4WD)

BODY
 72 = 2DR (101.4 WB)
 74 = 4 DR (101.4 WB)

ENGINE TRANSMISSION
 ENC = 2.5L 4 Cyl Turbo Diesel Engine
 EPE = Engine - 2.5L Power Tech I-4 Cyl.
 ERH = 4.0L Power Tech I-6 Engine
 ENO = Engines - ALL 4/5 CYL Turbo Diesel
 ERO = Engines - All 4.0L 6 Cyl Gas
 EPO = ENGINES - ALL 2.5L 4 CYL GAS
 DCB = Transmission - 4-Speed Manual, T3340
 DDQ = 5-Speed Manual Transmission
 DDX = 5-Speed HD Manual Transmission
 DGD = 3-Spd. Automatic 30RH Transmission
 DGK = 4-Spd. Automatic 42RE Transmission
 DGS = 4-Speed Automatic AW4 Transmission
 DGT = 4-Spd. Automatic 46RE Transmission
 DGW = TRANSMISSION - 4-SPD. AUTOMATIC, 44RE
 DGX = 4-Speed Automatic Transmission
 DGY = No Description Available
 DGZ = Transmission- 4-Spd. Automatic, MT643
 DBB = ALL MANUAL TRANSMISSIONS
 DG0 = TRANSMISSIONS - ALL AUTOMATIC

AR = use ase required - = Non illustrated part

**Gear Train Select Trac (DHP)
Figure 242-410**



ITEM	PART NUMBER	QTY	LINE	SERIES	BODY	ENGINE	TRANS	TRIM	DESCRIPTION
37	0089331A	1	J, U			ER0	DG0		SNAP RING 52111083
		1	J, U			ER0	DG0		52098899
38	04269189	1	J, U			ER0	DG0		BEARING, Output Shaft 52111083
		1	J, U			ER0	DG0		52098899
39	83503517	1	J, U			ER0	DG0		OUTPUT SHAFT, Transfer Case 52111083
		1	J, U			ER0	DG0		52098899
40	83503518	1	J, U			ER0	DG0		SPROCKET, Transfer Case 52111083
		1	J, U			ER0	DG0		52098899
41	04638890	1	J, U			ER0	DG0		CHAIN, Transfer Case 52111083
	83504575	1	J, U			ER0	DG0		52098899
42	04167991	1	J, U			ER0	DG0		SNAP RING, Bearing 52111083
		1	J, U			ER0	DG0		52098899
43	04269189	1	J, U			ER0	DG0		BEARING, Output Shaft 52111083
		1	J, U			ER0	DG0		52098899

CHEROKEE (XJ)

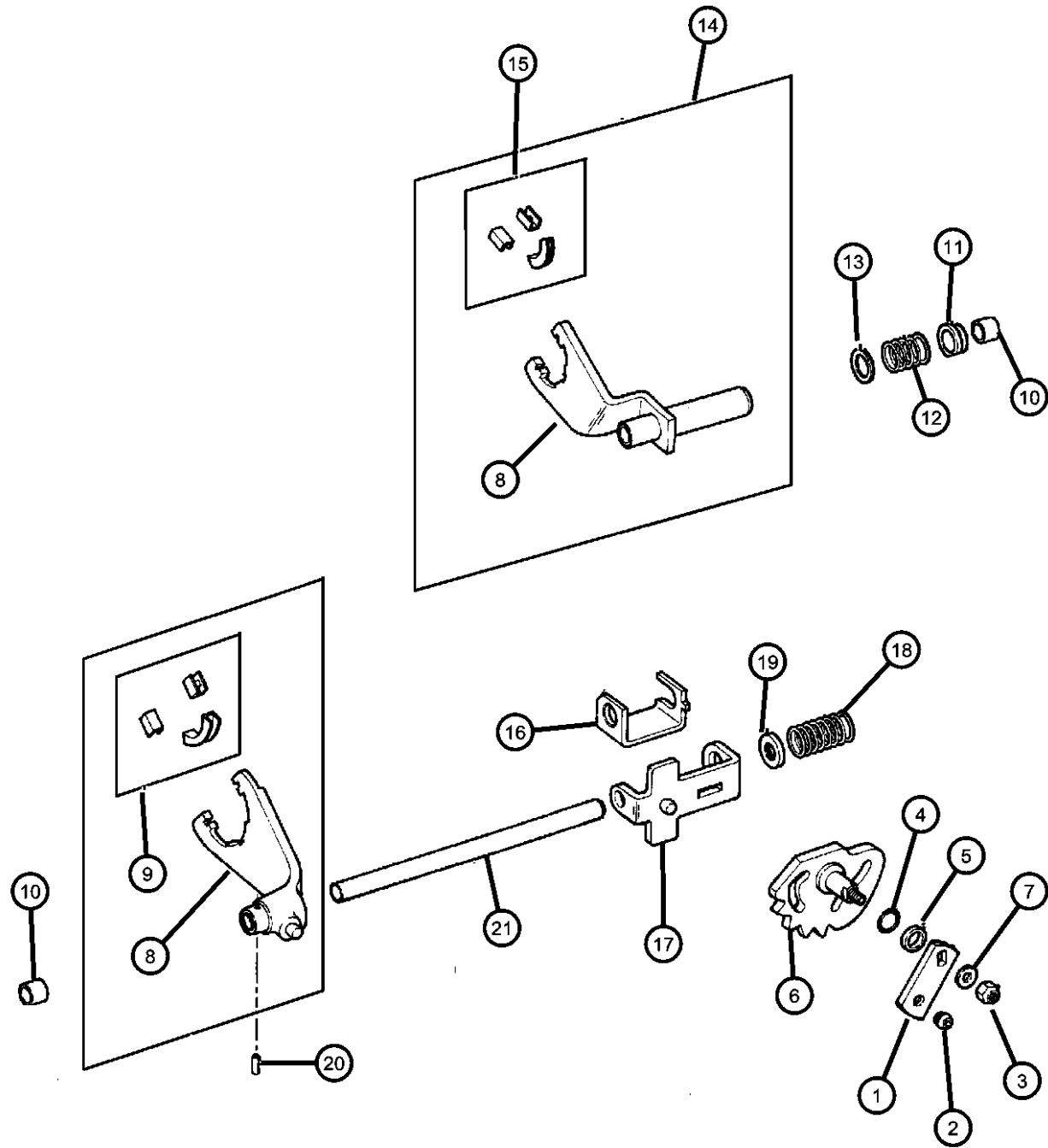
SERIES LINE
 L = LOWLINE B = JEEP - 2WD (RHD)
 U = JEEP - 4WD (RHD)
 T = LHD - (2WD)
 J = JEEP - - LHD (4WD)

BODY
 72 = 2DR (101.4 WB)
 74 = 4 DR (101.4 WB)

ENGINE TRANSMISSION
 ENC = 2.5L 4 Cyl Turbo Diesel Engine DCB = Transmission - 4-Speed Manual, T3340
 EPE = Engine - 2.5L Power Tech I-4 Cyl. DDQ = 5-Speed Manual Transmission
 ERH = 4.0L Power Tech I-6 Engine DDG = 5-Speed HD Manual Transmission
 ENO = Engines - ALL 4/5 CYL Turbo Diesel DGD = 3-Spd. Automatic 30RH Transmission
 ERO = Engines - All 4.0L 6 Cyl Gas DGK = 4-Spd. Automatic 42RE Transmission
 EPO = ENGINES - ALL 2.5L 4 CYL GAS DGS = 4-Speed Automatic AW4 Transmission
 DGT = 4-Spd. Automatic 46RE Transmission
 DGW = TRANSMISSION - 4-SPD. AUTOMATIC, 44RE
 DGX = 4-Speed Automatic Transmission
 DGY = No Description Available
 DGZ = Transmission- 4-Spd. Automatic, MT643
 DBB = ALL MANUAL TRANSMISSIONS
 DG0 = TRANSMISSIONS - ALL AUTOMATIC

AR = use ase required - = Non illustrated part

Fork and Rails Select Trac (DHP)
Figure 242-910



ITEM	PART NUMBER	QTY	LINE	SERIES	BODY	ENGINE	TRANS	TRIM	DESCRIPTION
1									LEVER, Transfer Case
	53004227	1	J, U			ER0	DG0		52111083
		1	J, U			ER0	DG0		52098899
2									BUSHING, Shift Lever
	53004810	1	J, U			ER0	DG0		52098899
		1	J, U			ER0	DG0		52111083
3									NUT, .375-24
	00152345	1	J, U			ER0	DG0		52098899
		1	J, U			ER0	DG0		52111083
4									SEAL, O-Ring
	04167963	1	J, U			ER0	DG0		52111083
		2	J, U			ER0	DG0		52098899
5									RETAINER, Rear Clutch
	04167964	1	J, U			ER0	DG0		52111083
		1	J, U			ER0	DG0		52098899
6									SECTOR, Transfer Case
	04638949	1	J, U			ER0	DG0		52111083
		1	J, U			ER0	DG0		52098899
7		1							WASHER, (NOT SERVICED),

CHEROKEE (XJ)

SERIES LINE
L = LOWLINE B = JEEP - 2WD (RHD)
U = JEEP - 4WD (RHD)
T = LHD - (2WD)
J = JEEP - - LHD (4WD)

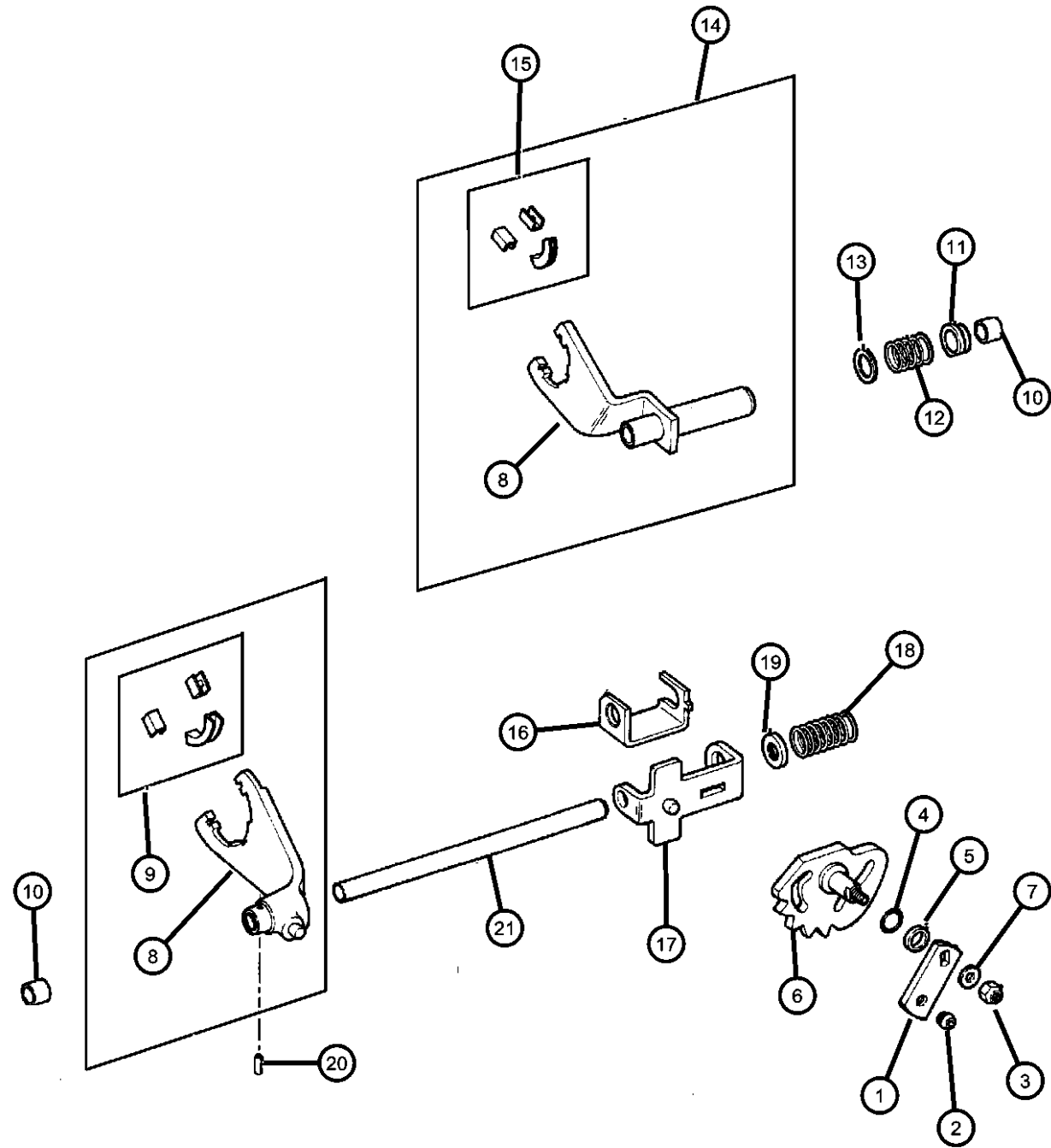
BODY
72 = 2DR (101.4 WB)
74 = 4 DR (101.4 WB)

ENGINE TRANSMISSION
ENC = 2.5L 4 Cyl Turbo Diesel Engine
EPE = Engine - 2.5L Power Tech I-4 Cyl.
ERH = 4.0L Power Tech I-6 Engine
ENO = Engines - ALL 4/5 CYL Turbo Diesel
ER0 = Engines - All 4.0L 6 Cyl Gas
EPO = ENGINES - ALL 2.5L 4 CYL GAS
DCB = Transmission - 4-Speed Manual, T3340
DDQ = 5-Speed Manual Transmission
DDX = 5-Speed HD Manual Transmission
DGD = 3-Spd. Automatic 30RH Transmission
DGK = 4-Spd. Automatic 42RE Transmission
DGS = 4-Speed Automatic AW4 Transmission
DGT = 4-Spd. Automatic 46RE Transmission
DGW = TRANSMISSION - 4-SPD. AUTOMATIC, 44RE
DGX = 4-Speed Automatic Transmission
DGY = No Description Available
DGZ = Transmission- 4-Spd. Automatic, MT643
DBB = ALL MANUAL TRANSMISSIONS
DG0 = TRANSMISSIONS - ALL AUTOMATIC

AR = use ase required - = Non illustrated part

1998 XJ

Fork and Rails Select Trac (DHP)
Figure 242-910



ITEM	PART NUMBER	QTY	LINE	SERIES	BODY	ENGINE	TRANS	TRIM	DESCRIPTION
8	05003459AA	1	J, U			ER0	DG0		FORK, Range 52111083
		1	J, U			ER0	DG0		52098899
9	04167969	4	J, U			ER0	DG0		PAD, Shift Fork 52111083
		2	J, U			ER0	DG0		52098899
	04167970	1	J, U			ER0	DG0		52111083
		1	J, U			ER0	DG0		52098899
10	J8134291	1	J, U			ER0	DG0		BUSHING, Shift Fork 52111083
		1	J, U			ER0	DG0		52098899
11	04338945	2	J, U			ER0	DG0		BUSHING, Shift Rail 52111083
		1	J, U			ER0	DG0		52098899
12	83503513	1	J, U			ER0	DG0		SPRING, Mode Shift Fork 52111083
		1	J, U			ER0	DG0		52098899
13	83503512	1	J, U			ER0	DG0		WASHER, Flat 52111083
		1	J, U			ER0	DG0		52098899
14	04638950	1	J, U			ER0	DG0		FORK, Transfer Case Mode Shift 52111083

CHEROKEE (XJ)

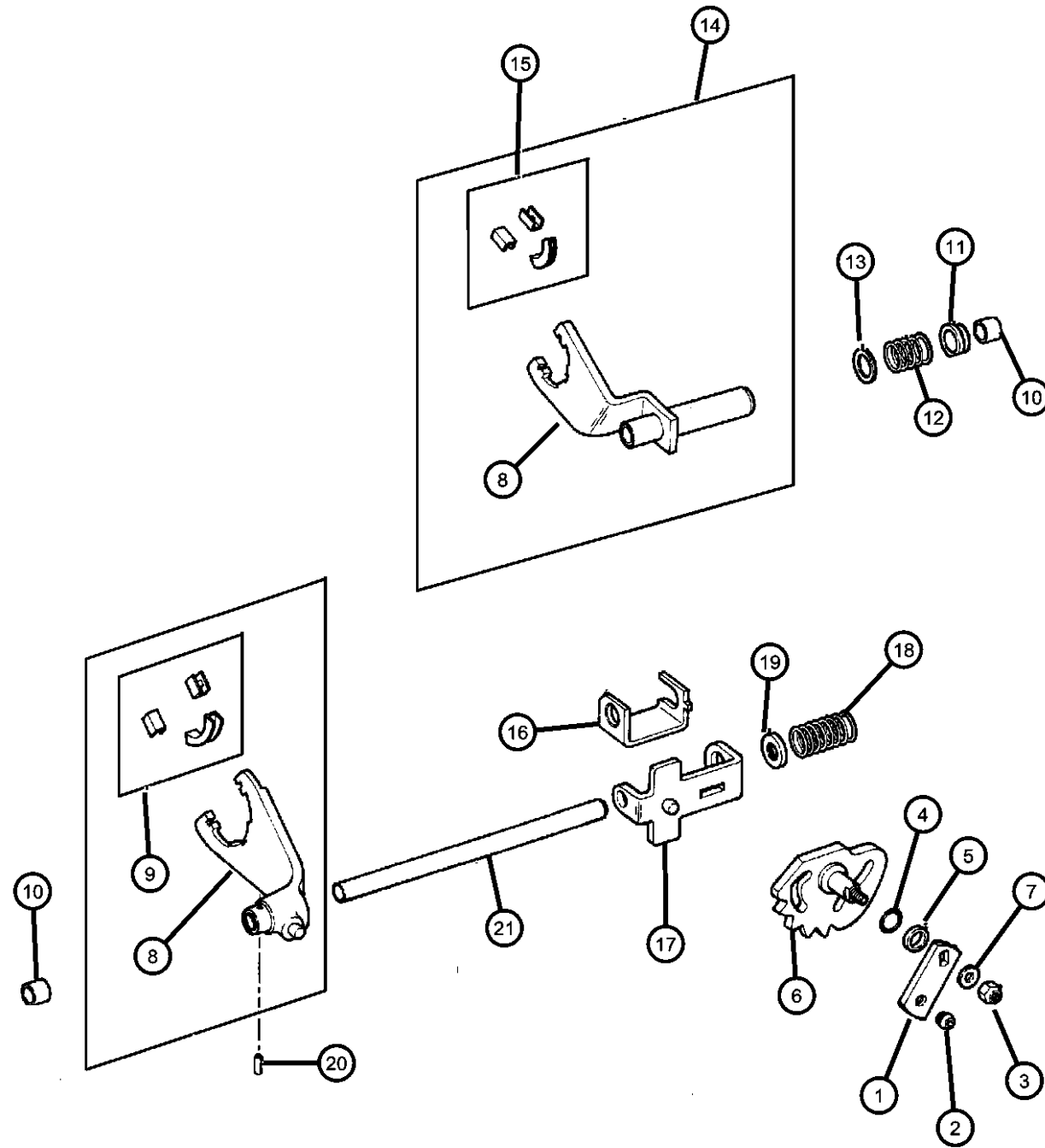
SERIES LINE
L = LOWLINE B = JEEP - 2WD (RHD)
U = JEEP - 4WD (RHD)
T = LHD - (2WD)
J = JEEP - - LHD (4WD)

BODY
72 = 2DR (101.4 WB)
74 = 4 DR (101.4 WB)

ENGINE TRANSMISSION
ENC = 2.5L 4 Cyl Turbo Diesel Engine DCB = Transmission - 4-Speed Manual,T3340
EPE = Engine - 2.5L Power Tech I-4 Cyl. DDQ = 5-Speed Manual Transmission
ERH = 4.0L Power Tech I-6 Engine DDG = 5-Speed HD Manual Transmission
ENO = Engines - ALL 4/5 CYL Turbo Diesel DGD = 3-Spd. Automatic 30RH Transmission
ERO = Engines - All 4.0L 6 Cyl Gas DGK = 4-Spd. Automatic 42RE Transmission
EPO = ENGINES - ALL 2.5L 4 CYL GAS DGS = 4-Speed Automatic AW4 Transmission
DGT = 4-Spd. Automatic 46RE Transmission
DGW = TRANSMISSION - 4-SPD. AUTOMATIC,44RE
DGX = 4-Speed Automatic Transmission
DGY = No Description Available
DGZ = Transmission- 4-Spd. Automatic,MT643
DBB = ALL MANUAL TRANSMISSIONS
DG0 = TRANSMISSIONS - ALL AUTOMATIC

AR = use ase required - = Non illustrated part

Fork and Rails Select Trac (DHP)
Figure 242-910



ITEM	PART NUMBER	QTY	LINE	SERIES	BODY	ENGINE	TRANS	TRIM	DESCRIPTION
		1	J, U			ER0	DG0		52098899
15									PAD, Shift Fork
	04167969	4	J, U			ER0	DG0		52111083
		2	J, U			EN0	DDQ		52098899
	04167970	1	J, U			ER0	DG0		52111083
		1	J, U			ER0	DG0		52098899
16									BRACKET, Shift Mode
	83503510	1	J, U			ER0	DG0		52111083
		1	J, U			ER0	DG0		52098899
17									BRACKET, Shift Mode
	83503511	1	J, U			ER0	DG0		52111083
		1	J, U			ER0	DG0		52098899
18									SPRING, Mode Shift Fork
	83503516	1	J, U			ER0	DG0		52111083
		1	J, U			ER0	DG0		52098899
19									CUP, Shift Fork Spring
	83503515	1	J, U			ER0	DG0		52111083
		1	J, U			ER0	DG0		52098899
20									PIN, Shift Fork
	01664355	1	J, U			ER0	DG0		52111083
		1	J, U			ER0	DG0		52098899
21									RAIL, Transfer Case

CHEROKEE (XJ)

SERIES LINE
L = LOWLINE B = JEEP - 2WD (RHD)
U = JEEP - 4WD (RHD)
T = LHD - (2WD)
J = JEEP - - LHD (4WD)

BODY
72 = 2DR (101.4 WB)
74 = 4 DR (101.4 WB)

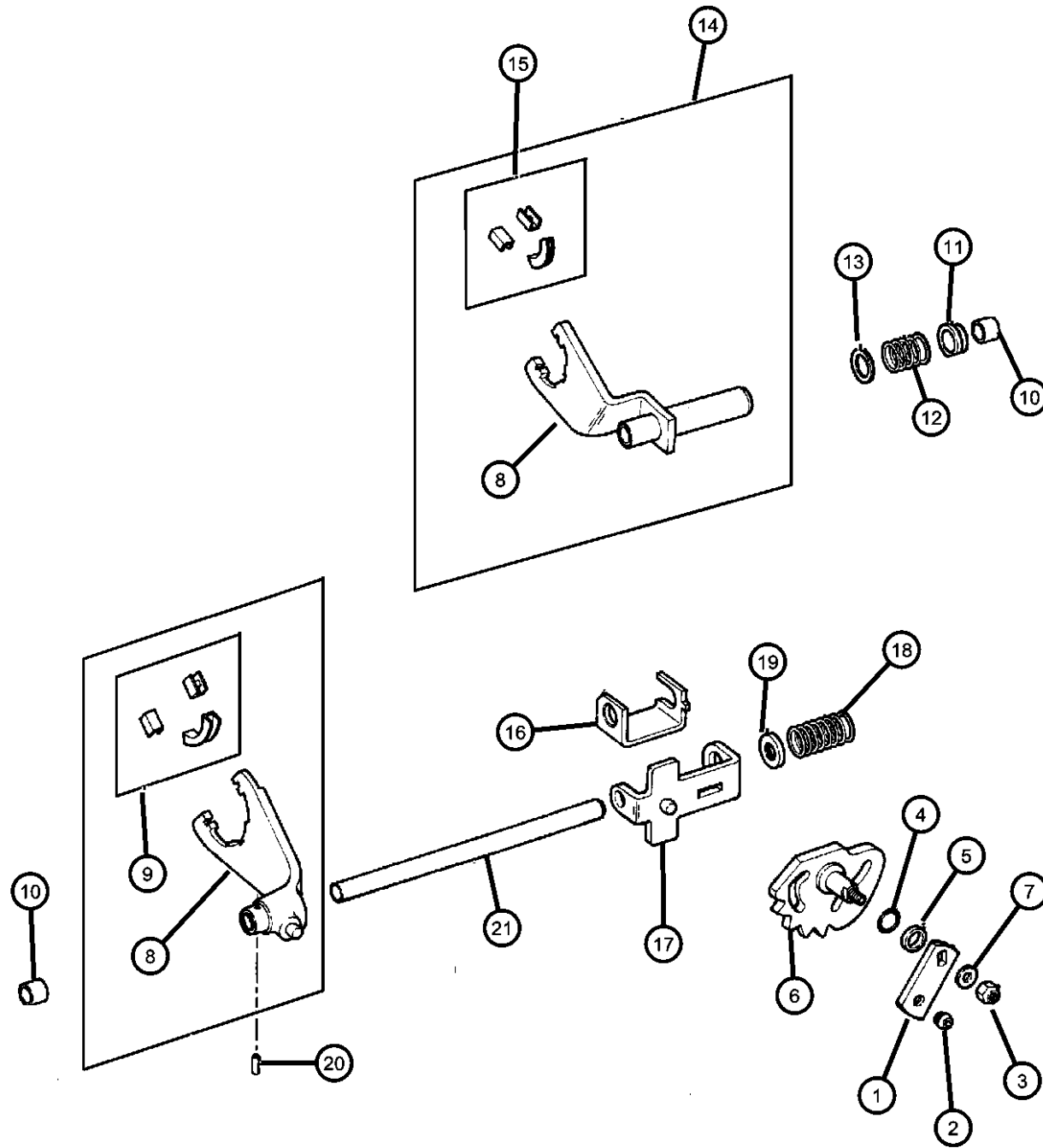
ENGINE TRANSMISSION
ENC = 2.5L 4 Cyl Turbo Diesel Engine
EPE = Engine - 2.5L Power Tech I-4 Cyl.
ERH = 4.0L Power Tech I-6 Engine
ENO = Engines - ALL 4/5 CYL Turbo Diesel
ERO = Engines - All 4.0L 6 Cyl Gas
EPO = ENGINES - ALL 2.5L 4 CYL GAS
DCB = Transmission - 4-Speed Manual,T3340
DDQ = 5-Speed Manual Transmission
DDX = 5-Speed HD Manual Transmission
DGD = 3-Spd. Automatic 30RH Transmission
DGK = 4-Spd. Automatic 42RE Transmission
DGS = 4-Speed Automatic AW4 Transmission
DGT = 4-Spd. Automatic 46RE Transmission
DGW = TRANSMISSION - 4-SPD. AUTOMATIC,44RE
DGX = 4-Speed Automatic Transmission
DGY = No Description Available
DGZ = Transmission- 4-Spd. Automatic,MT643
DBB = ALL MANUAL TRANSMISSIONS
DG0 = TRANSMISSIONS - ALL AUTOMATIC

AR = use ase required - = Non illustrated part

Fork and Rails Select Trac (DHP)
Figure 242-910

ITEM	PART NUMBER	QTY	LINE	SERIES	BODY	ENGINE	TRANS	TRIM	DESCRIPTION
------	-------------	-----	------	--------	------	--------	-------	------	-------------

	83504469	1	J, U			ER0	DG0		52111083
		1	J, U			ER0	DG0		52098899



CHEROKEE (XJ)

SERIES LINE
L = LOWLINE B = JEEP - 2WD (RHD)
U = JEEP - 4WD (RHD)
T = LHD - (2WD)
J = JEEP - - LHD (4WD)

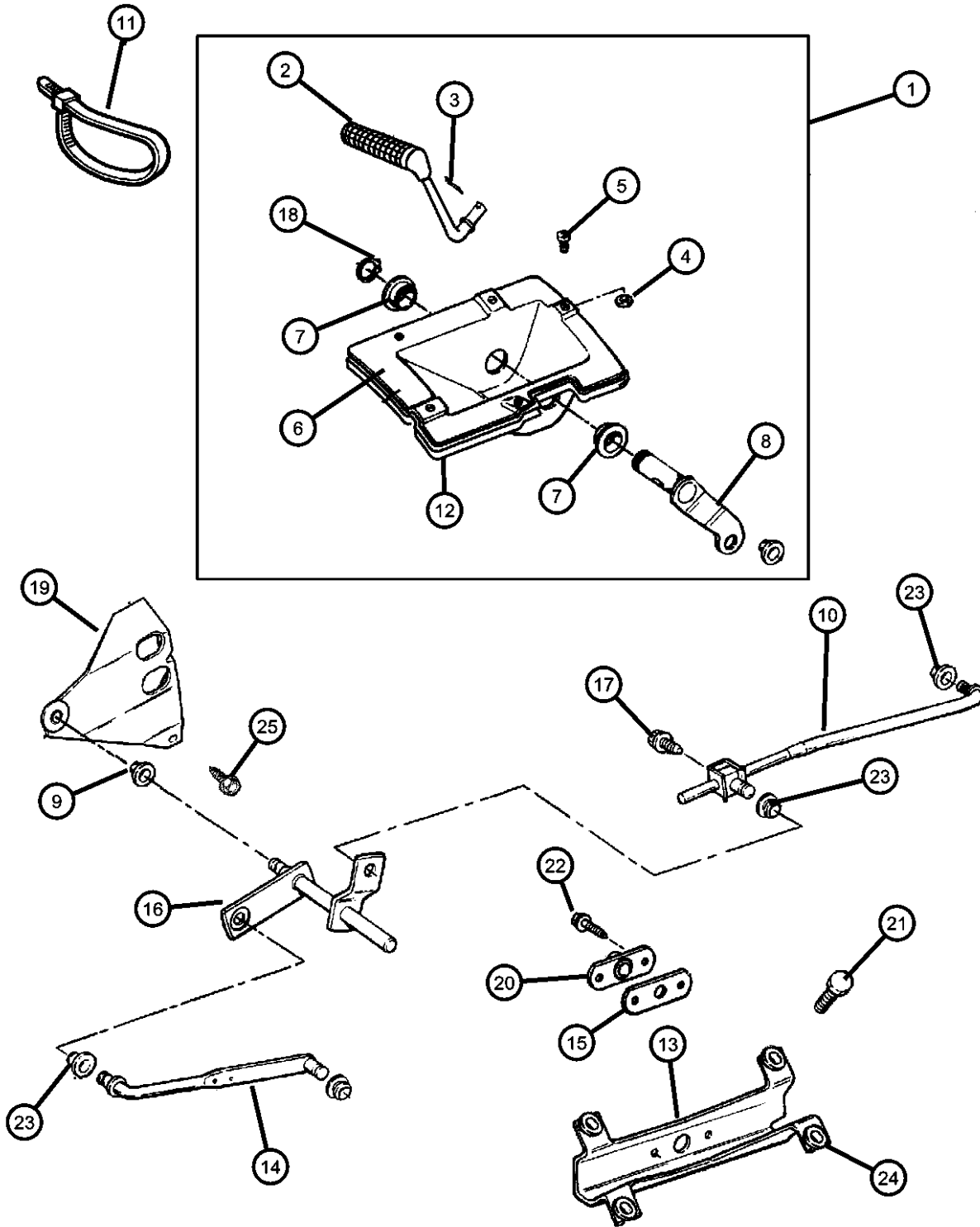
BODY
72 = 2DR (101.4 WB)
74 = 4 DR (101.4 WB)

ENGINE TRANSMISSION
ENC = 2.5L 4 Cyl Turbo Diesel Engine DCB = Transmission - 4-Speed Manual,T3340
EPE = Engine - 2.5L Power Tech I-4 Cyl. DDQ = 5-Speed Manual Transmission
ERH = 4.0L Power Tech I-6 Engine DDX = 5-Speed HD Manual Transmission
ENO = Engines - ALL 4/5 CYL Turbo Diesel DGD = 3-Spd. Automatic 30RH Transmission
ERO = Engines - All 4.0L 6 Cyl Gas DGK = 4-Spd. Automatic 42RE Transmission
EPO = ENGINES - ALL 2.5L 4 CYL GAS DGS = 4-Speed Automatic AW4 Transmission
DGT = 4-Spd. Automatic 46RE Transmission
DGW = TRANSMISSION - 4-SPD. AUTOMATIC,44RE
DGX = 4-Speed Automatic Transmission
DGY = No Description Available
DGZ = Transmission- 4-Spd. Automatic,MT643
DBB = ALL MANUAL TRANSMISSIONS
DG0 = TRANSMISSIONS - ALL AUTOMATIC

AR = use ase required - = Non illustrated part

1998 XJ

**Gearshift Controls Select Trac (DHP)
Figure 242-1210**



ITEM	PART NUMBER	QTY	LINE	SERIES	BODY	ENGINE	TRANS	TRIM	DESCRIPTION
------	-------------	-----	------	--------	------	--------	-------	------	-------------

Notes:
 EPO= All 2.5L, 4 Cylinder, Gas Engine
 ER0= All 4.0L., 6 Cylinder, Gas Engine
 ENC= 2.5L 4 Cykinder Turbo Diesel Engine
 DBB = All Manual Transmissions
 DDQ = 5 Speed Manual Transmission
 DG0 = All Automatic Transmissions

1									SHIFTER, Transfer Case
	52104102	1	J				DG0		
	52104103	1	U				DG0		
2									LEVER, Transfer Case Shifter
	52079256	1	J				DG0		
		1	U				DG0		
3									PIN, Cotter
	J4006723	1	J				DG0		
		1	U				DG0		
4									NUT, Push, M5
	52077650	1	U				DG0		
	53000809	1	J				DG0		
5									FASTENER, Push On
	52077671	1	J				DG0		52104102
		1	U				DG0		52104103
6									HOUSING, Shift Lever
	53001284	1	J				DG0		
		1	U				DG0		

CHEROKEE (XJ)

SERIES LINE
 L = LOWLINE B = JEEP - 2WD (RHD)
 U = JEEP - 4WD (RHD)
 T = LHD - (2WD)
 J = JEEP - - LHD (4WD)

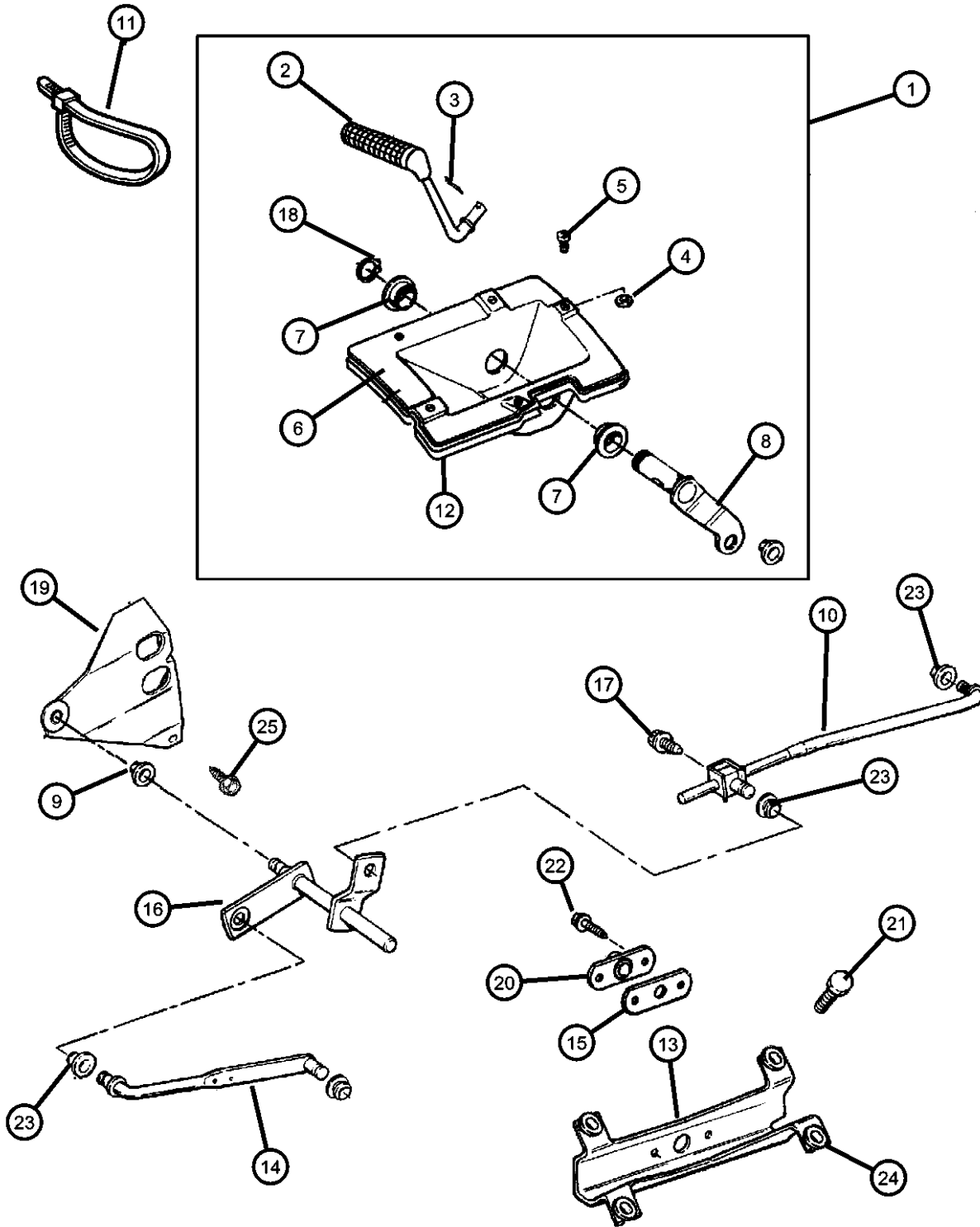
BODY
 72 = 2DR (101.4 WB)
 74 = 4 DR (101.4 WB)

ENGINE TRANSMISSION
 ENC = 2.5L 4 Cyl Turbo Diesel Engine
 EPE = Engine - 2.5L Power Tech I-4 Cyl.
 ERH = 4.0L Power Tech I-6 Engine
 ENO = Engines - ALL 4/5 CYL Turbo Diesel
 ERO = Engines - All 4.0L 6 Cyl Gas
 EPO = ENGINES - ALL 2.5L 4 CYL GAS
 DCB = Transmission - 4-Speed Manual,T3340
 DDQ = 5-Speed Manual Transmission
 DDX = 5-Speed HD Manual Transmission
 DGD = 3-Spd. Automatic 30RH Transmission
 DGK = 4-Spd. Automatic 42RE Transmission
 DGS = 4-Speed Automatic AW4 Transmission
 DGT = 4-Spd. Automatic 46RE Transmission
 DGW = TRANSMISSION - 4-SPD. AUTOMATIC,44RE
 DGX = 4-Speed Automatic Transmission
 DGY = No Description Available
 DGZ = Transmission- 4-Spd. Automatic,MT643
 DBB = ALL MANUAL TRANSMISSIONS
 DG0 = TRANSMISSIONS - ALL AUTOMATIC

AR = use ase required - = Non illustrated part

1998 XJ

**Gearshift Controls Select Trac (DHP)
Figure 242-1210**



ITEM	PART NUMBER	QTY	LINE	SERIES	BODY	ENGINE	TRANS	TRIM	DESCRIPTION
7	53000639	2	J				DG0		BUSHING, Shift Control
8	53005150	1	J				DG0		LEVER, Transfer Case
		1	U				DG0		
9	53004810	1	J, U			EP0			BUSHING, Shift Lever
		1	J, U			ER0	DDQ		53005069
		1	J, U			ER0	DG0		52077574
									53005071
10	52104073	1	J, U			EP0			ROD, Gear Shift Control, Transfer Case
		1	J, U			ER0	DG0		
11	J3693058	1	J				DG0		STRAP, Retaining
		1	U				DG0		52104102
									521041030
12	52104019	1	J				DG0		BOOT, Transfer Case Lever
		1	U				DG0		
13	52104017	1	J, U			EP0			BRACKET, Torque Shaft
		1	J, U			ER0	DG0		
	52104018	1	J, U			ENC, ER0	DDQ		

CHEROKEE (XJ)

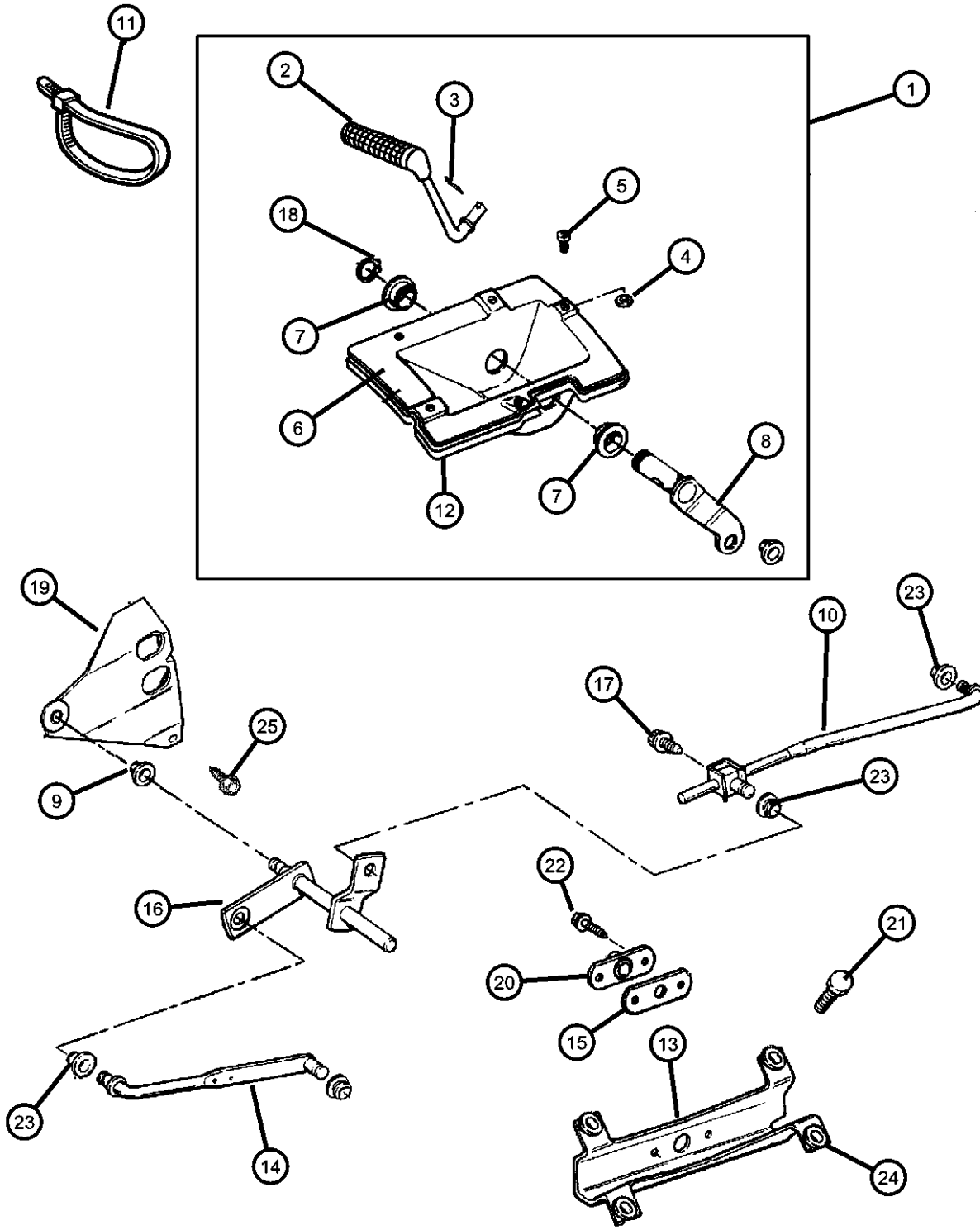
SERIES LINE
 L = LOWLINE B = JEEP - 2WD (RHD)
 U = JEEP - 4WD (RHD)
 T = LHD - (2WD)
 J = JEEP - - LHD (4WD)

BODY
 72 = 2DR (101.4 WB)
 74 = 4 DR (101.4 WB)

ENGINE TRANSMISSION
 ENC = 2.5L 4 Cyl Turbo Diesel Engine
 EPE = Engine - 2.5L Power Tech I-4 Cyl.
 ERH = 4.0L Power Tech I-6 Engine
 ENO = Engines - ALL 4/5 CYL Turbo Diesel
 ERO = Engines - All 4.0L 6 Cyl Gas
 EP0 = ENGINES - ALL 2.5L 4 CYL GAS
 DCB = Transmission - 4-Speed Manual, T3340
 DDQ = 5-Speed Manual Transmission
 DDX = 5-Speed HD Manual Transmission
 DGD = 3-Spd. Automatic 30RH Transmission
 DGK = 4-Spd. Automatic 42RE Transmission
 DGS = 4-Speed Automatic AW4 Transmission
 DGT = 4-Spd. Automatic 46RE Transmission
 DGW = TRANSMISSION - 4-SPD. AUTOMATIC, 44RE
 DGX = 4-Speed Automatic Transmission
 DGY = No Description Available
 DGZ = Transmission- 4-Spd. Automatic, MT643
 DBB = ALL MANUAL TRANSMISSIONS
 DG0 = TRANSMISSIONS - ALL AUTOMATIC

AR = use ase required - = Non illustrated part

**Gearshift Controls Select Trac (DHP)
Figure 242-1210**



ITEM	PART NUMBER	QTY	LINE	SERIES	BODY	ENGINE	TRANS	TRIM	DESCRIPTION
14									ROD, Gear Shift Control, Transfer Case
	52104121	1	J, U			ENC			
	52104122	1	J, U			ER0	DBB		
	53004941	1	J, U			EP0			
	53004943	1	J, U			ER0	DG0		
15									GASKET, Gearshift Control Rod
	53005154	1	J, U			EP0			
		1	J, U			ER0	DG0		
		1	J, U			ENC, ER0	DDQ		
16									TORQUE SHAFT, Transfer Case
	53005151	1	J, U			EP0			
		1	J, U			ER0	DG0		
17	J4006036	1	J, U						BOLT, Hex Head, .312-18x.50
18									SNAP RING
	11505389	1	J				DG0		52104102
		1	U				DG0		52104103
19									BRACKET, Torque Shaft
	52077574	1	J, U			ER0	DDQ		
	52078605	1	J, U			ENC	DBB		
	53005069	1	J, U			EP0			
	53005071	1	J, U			ER0	DG0		
20									BEARING, Transfer Case Shift

CHEROKEE (XJ)

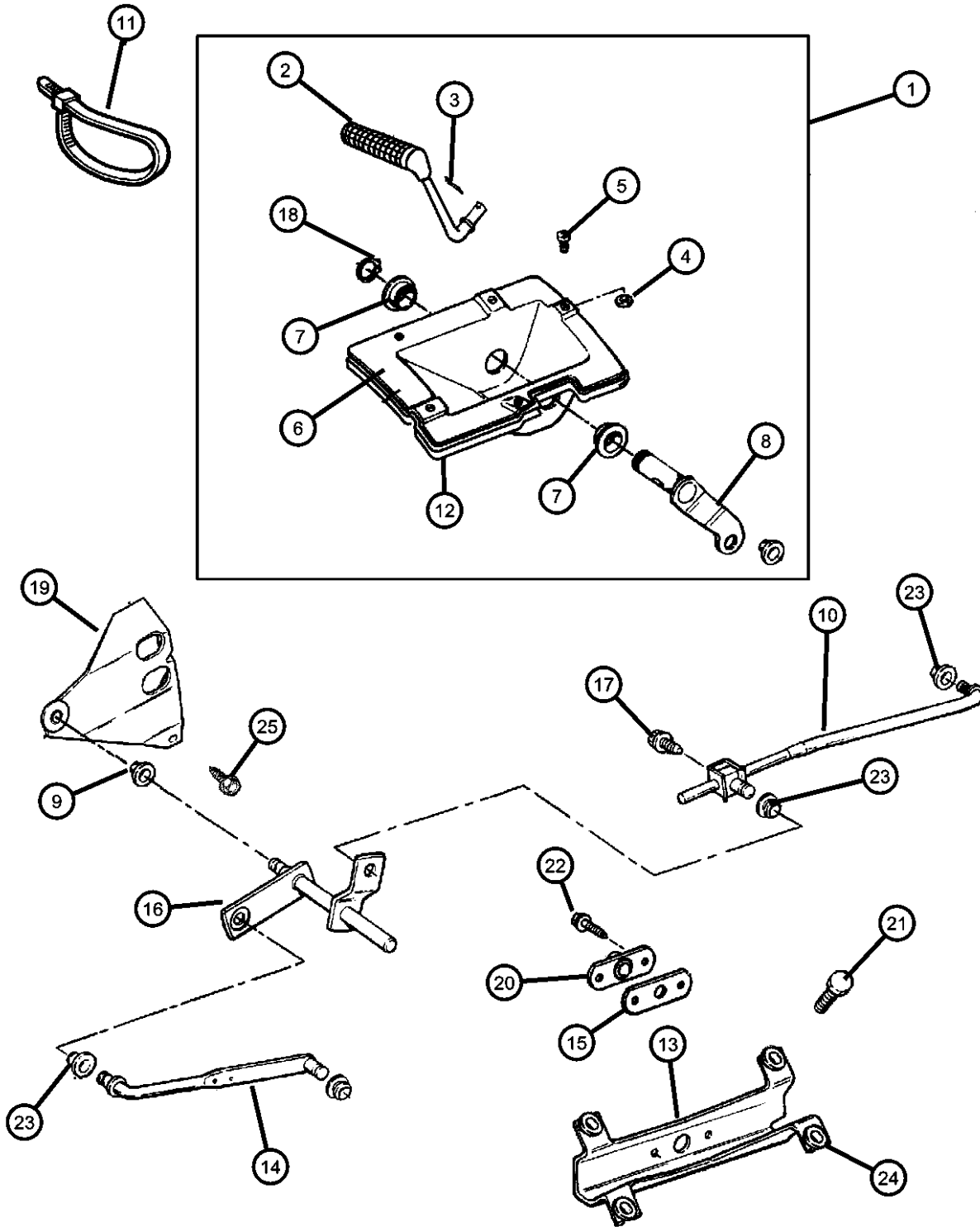
SERIES LINE
 L = LOWLINE B = JEEP - 2WD (RHD)
 U = JEEP - 4WD (RHD)
 T = LHD - (2WD)
 J = JEEP - - LHD (4WD)

BODY
 72 = 2DR (101.4 WB)
 74 = 4 DR (101.4 WB)

ENGINE TRANSMISSION
 ENC = 2.5L 4 Cyl Turbo Diesel Engine
 EPE = Engine - 2.5L Power Tech I-4 Cyl.
 ERH = 4.0L Power Tech I-6 Engine
 ENO = Engines - ALL 4/5 CYL Turbo Diesel
 ERO = Engines - All 4.0L 6 Cyl Gas
 EPO = ENGINES - ALL 2.5L 4 CYL GAS
 DCB = Transmission - 4-Speed Manual, T3340
 DDQ = 5-Speed Manual Transmission
 DDG = 5-Speed HD Manual Transmission
 DGD = 3-Spd. Automatic 30RH Transmission
 DGK = 4-Spd. Automatic 42RE Transmission
 DGS = 4-Speed Automatic AW4 Transmission
 DGT = 4-Spd. Automatic 46RE Transmission
 DGW = TRANSMISSION - 4-SPD. AUTOMATIC, 44RE
 DGX = 4-Speed Automatic Transmission
 DGY = No Description Available
 DGZ = Transmission- 4-Spd. Automatic, MT643
 DBB = ALL MANUAL TRANSMISSIONS
 DG0 = TRANSMISSIONS - ALL AUTOMATIC

AR = use ase required - = Non illustrated part

**Gearshift Controls Select Trac (DHP)
Figure 242-1210**



ITEM	PART NUMBER	QTY	LINE	SERIES	BODY	ENGINE	TRANS	TRIM	DESCRIPTION
	52078134	1	J, U			EP0			
		1	J, U			ER0	DG0		
		1	J, U			ENC, ER0	DDQ		
21	06503811	4	J, U						BOLT, Hex Head, M6x1.00x20.00
22									SCREW, Hex Flange Head Tapping, M6x1.00x20.00
	34201381	2	J, U			EP0			
		2	J, U			ER0	DG0		
23									GROMMET, Control Rod Front
	03575333	AR	J				DG0		
		AR	U				DG0		
24									GROMMET
	52104014	4	J, U			EP0			52104017
		4	J, U			ER0	DG0		52104017
		4	J, U			ENC, ER0	DDQ		52104018
25	11504336	1	J, U			ER0	DG0		BOLT, Hex Head, M8x1.25x16

CHEROKEE (XJ)

SERIES LINE
 L = LOWLINE B = JEEP - 2WD (RHD)
 U = JEEP - 4WD (RHD)
 T = LHD - (2WD)
 J = JEEP - - LHD (4WD)

BODY
 72 = 2DR (101.4 WB)
 74 = 4 DR (101.4 WB)

ENGINE TRANSMISSION
 ENC = 2.5L 4 Cyl Turbo Diesel Engine
 EPE = Engine - 2.5L Power Tech I-4 Cyl.
 ERH = 4.0L Power Tech I-6 Engine
 ENO = Engines - ALL 4/5 CYL Turbo Diesel
 ERO = Engines - All 4.0L 6 Cyl Gas
 EP0 = ENGINES - ALL 2.5L 4 CYL GAS
 DCB = Transmission - 4-Speed Manual,T3340
 DDQ = 5-Speed Manual Transmission
 DDX = 5-Speed HD Manual Transmission
 DGD = 3-Spd. Automatic 30RH Transmission
 DGK = 4-Spd. Automatic 42RE Transmission
 DGS = 4-Speed Automatic AW4 Transmission
 DGT = 4-Spd. Automatic 46RE Transmission
 DGW = TRANSMISSION - 4-SPD. AUTOMATIC,44RE
 DGX = 4-Speed Automatic Transmission
 DGY = No Description Available
 DGZ = Transmission- 4-Spd. Automatic,MT643
 DBB = ALL MANUAL TRANSMISSIONS
 DG0 = TRANSMISSIONS - ALL AUTOMATIC

AR = use ase required - = Non illustrated part

Group - 21P

Speedometer Pinions

Group - 21P Speedometer Pinions

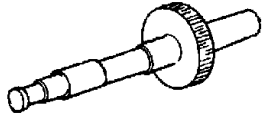
Group-Fig. No.

Illustration Title

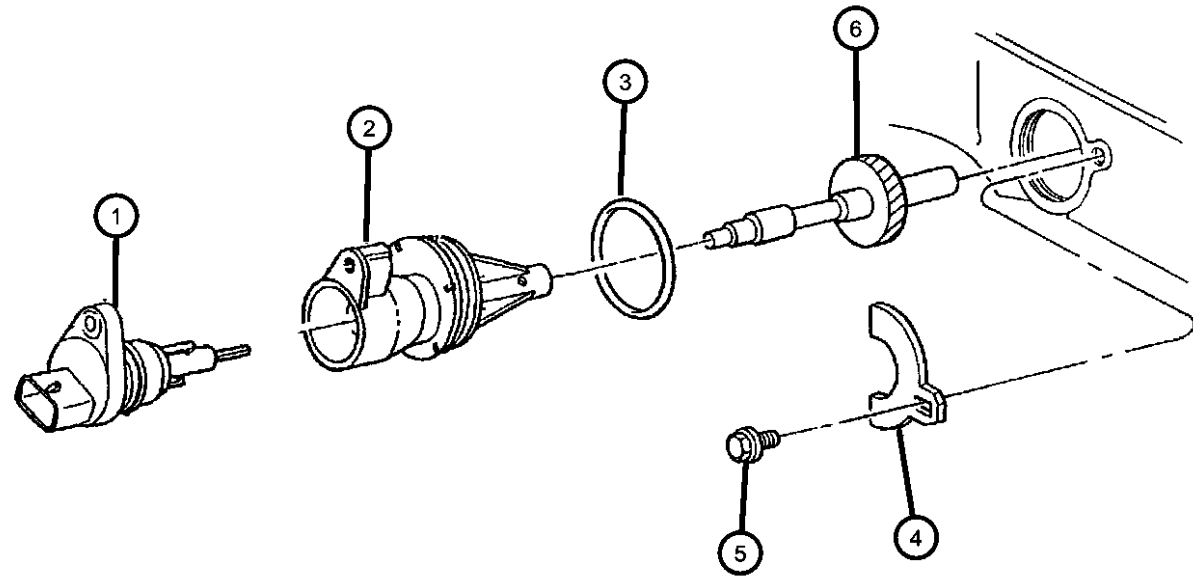
Speedometer Pinions

Speedometer Pinion Fig. 21P - 110

21P-100
Speedometer Pinions



**Speedometer Pinion
Figure 21P-110**



ITEM	PART NUMBER	QTY	LINE	SERIES	BODY	ENGINE	TRANS	TRIM	DESCRIPTION
1	56027905	1							SENSOR, Vehicle Speed
2	52069315	1							HOUSING, Speedometer Drive Gear
3	06035709	1							O RING, Trans Speedo Adapter
4	02892399	1							CLAMP, Speedometer
5	00180077	1							BOLT, Hex Head, 5/16x18x3/4
6									PINION, Speedometer Drive
	52067629	1							3.07 AXLE RATIO, 29 Teeth. P225/75R15 Wrangler RT/S AT
	52067630	1							3.07 AXLE RATIO, 30 Teeth. All P215/75R15/R16/R17, P225/70R15 (OWL) eagle GA A/S.
	52067634	1							3.50 AXLE RATIO, 34 Teeth. P225/75R15 Wrangler RT/S AT Goodyear.
	52067635	1							3.50 AXLE RATIO, 35 Teeth P215/75R15 BSW A/S Wrangler AP
		1							3.50 AXLE RATIO, 35 Teeth. P225/70R15 High Speed Rated Eagle GA, P225/70R15 (OWL) Eagle GA A/S.
	52067636	1							3.70 AXLE RATIO, 36 Teeth. P225/75R15 Wrangler RT/S AT, P225/75R15 (OWL) A/S Goodyear Tires.
	52067637	1							3.70 AXLE RATIO, 37 Teeth. All P215R15/R16/R17 Tires. P225/70R15 (OWL) Eagle GA A/S Tires.

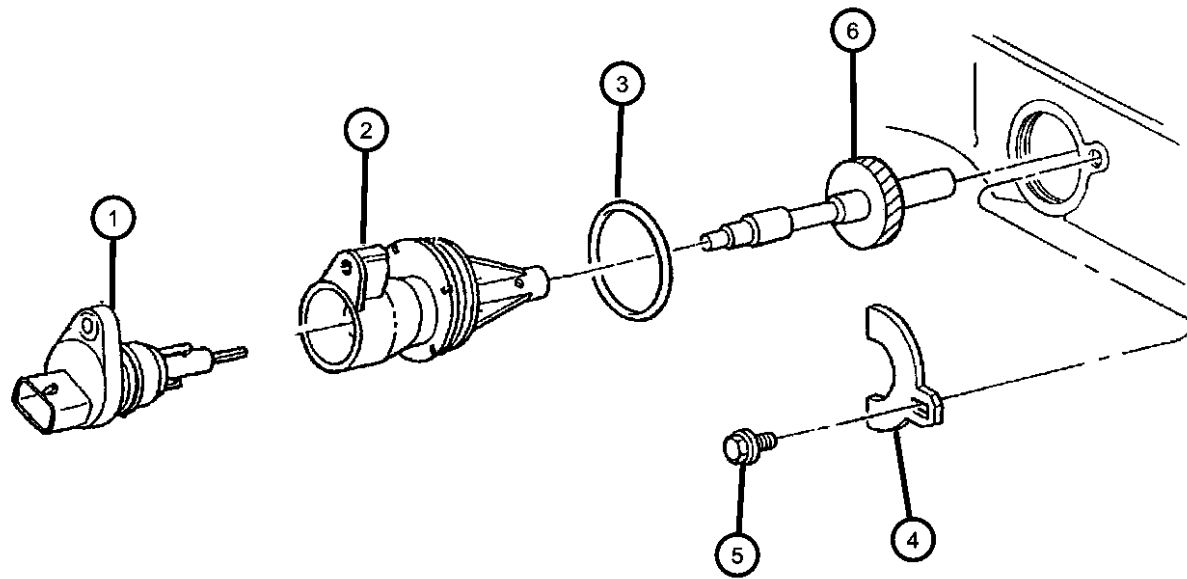
CHEROKEE (XJ)

SERIES	LINE	BODY	ENGINE	TRANSMISSION
L = LOWLINE	B = JEEP - 2WD (RHD) U = JEEP - 4WD (RHD) T = LHD - (2WD) J = JEEP - - LHD (4WD)	72 = 2DR (101.4 WB) 74 = 4 DR (101.4 WB)	ENC = 2.5L 4 Cyl Turbo Diesel Engine EPE = Engine - 2.5L Power Tech I-4 Cyl. ERH = 4.0L Power Tech I-6 Engine ENO = Engines - ALL 4/5 CYL Turbo Diesel ERO = Engines - All 4.0L 6 Cyl Gas EPO = ENGINES - ALL 2.5L 4 CYL GAS	DCB = Transmission - 4-Speed Manual,T3340 DDQ = 5-Speed Manual Transmission DDX = 5-Speed HD Manual Transmission DGD = 3-Spd. Automatic 30RH Transmission DGK = 4-Spd. Automatic 42RE Transmission DGS = 4-Speed Automatic AW4 Transmission DGT = 4-Spd. Automatic 46RE Transmission DGW = TRANSMISSION - 4-SPD. AUTOMATIC,44RE DGX = 4-Speed Automatic Transmission DGY = No Description Available DGZ = Transmission- 4-Spd. Automatic,MT643 DBB = ALL MANUAL TRANSMISSIONS DGO = TRANSMISSIONS - ALL AUTOMATIC

AR = use ase required - = Non illustrated part

**Speedometer Pinion
Figure 21P-110**

ITEM	PART NUMBER	QTY	LINE	SERIES	BODY	ENGINE	TRANS	TRIM	DESCRIPTION
	52067639	1				EPE			4.11 AXLE RATIO, 39 Teeth. P215/75R15 Wrangler RT/S AT .
	52067640	1				EPE			4.11 AXLE RATIO, 40 Teeth. All P215R15/R16/R17 Tires.
	52067641	1				EPE, ERO			4.11 AXLE RATIO, 41 Teeth. P225/70R15 (OWL) A/S.



CHEROKEE (XJ)

SERIES	LINE	BODY	ENGINE	TRANSMISSION
L = LOWLINE	B = JEEP - 2WD (RHD) U = JEEP - 4WD (RHD) T = LHD - (2WD) J = JEEP - - LHD (4WD)	72 = 2DR (101.4 WB) 74 = 4 DR (101.4 WB)	ENC = 2.5L 4 Cyl Turbo Diesel Engine EPE = Engine - 2.5L Power Tech I-4 Cyl. ERH = 4.0L Power Tech I-6 Engine ENO = Engines - ALL 4/5 CYL Turbo Diesel ERO = Engines - All 4.0L 6 Cyl Gas EPO = ENGINES - ALL 2.5L 4 CYL GAS	DCB = Transmission - 4-Speed Manual,T3340 DDQ = 5-Speed Manual Transmission DDX = 5-Speed HD Manual Transmission DGD = 3-Spd. Automatic 30RH Transmission DGK = 4-Spd. Automatic 42RE Transmission DGS = 4-Speed Automatic AW4 Transmission DGT = 4-Spd. Automatic 46RE Transmission DGW = TRANSMISSION - 4-SPD. AUTOMATIC,44RE DGX = 4-Speed Automatic Transmission DGY = No Description Available DGZ = Transmission- 4-Spd. Automatic,MT643 DBB = ALL MANUAL TRANSMISSIONS DGO = TRANSMISSIONS - ALL AUTOMATIC

AR = use ase required - = Non illustrated part

Group - 22

Wheels, Covers and Jacks

Group - 22 Wheels, Covers and Jacks

Illustration Title

Group-Fig. No.

Wheels and Hardware

Wheels and HardwareFig. 22 - 120

Wheel Covers and Center Caps

Wheel Cap.....Fig. 22 - 220


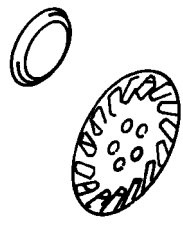
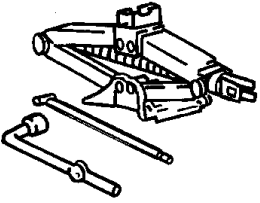
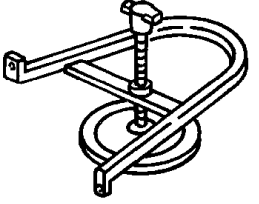
Jack Stowage

Jack Stowage.....Fig. 22 - 310

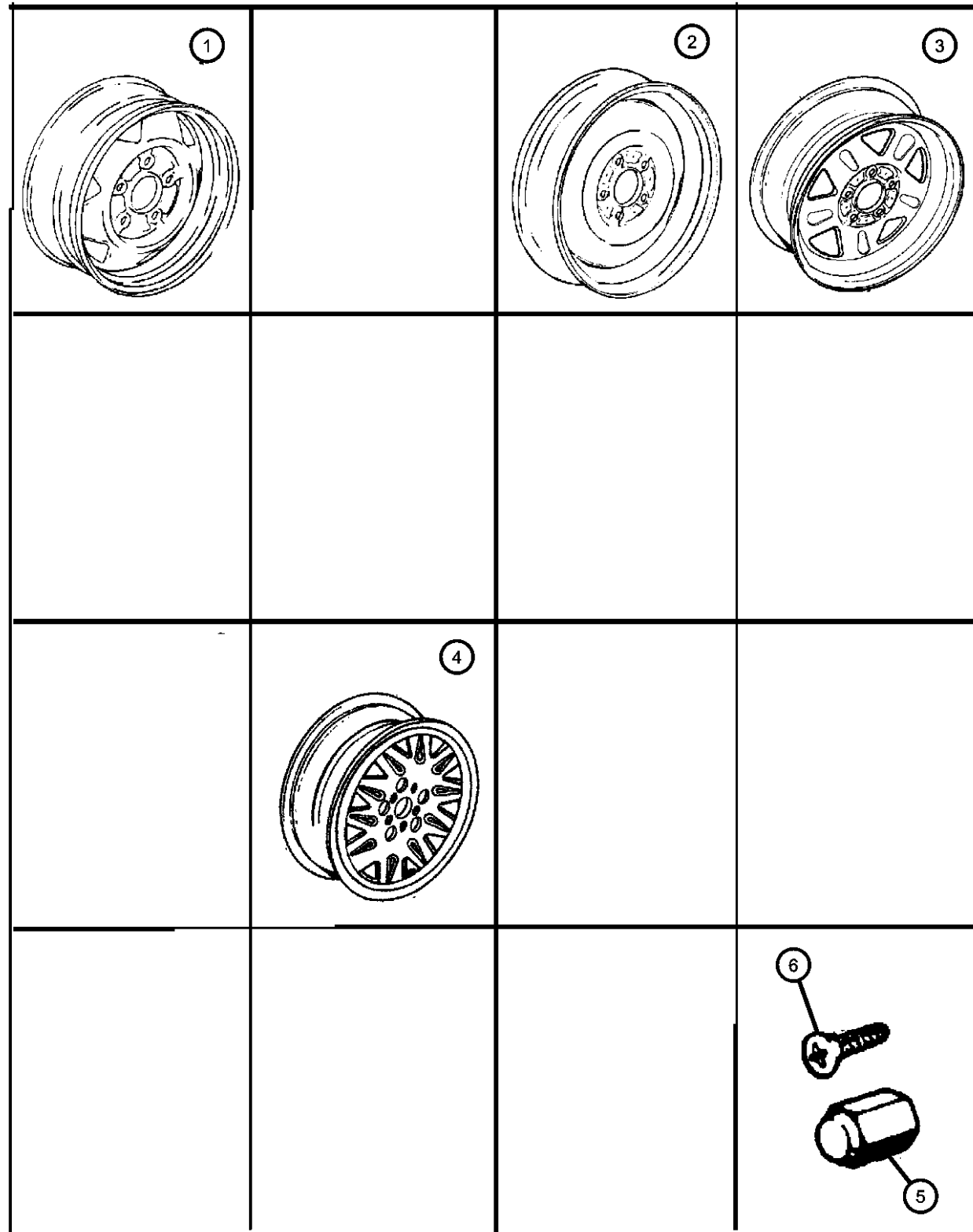
Spare Tire Stowage

Wheel, SpareFig. 22 - 430

Wheel, SpareFig. 22 - 440

<p>022-100 Wheels and Hardware</p> 	<p>022-200 Wheel Covers and Center Caps</p> 	<p>022-300 Jack Stowage</p> 	<p>022-400 Spare Tire Stowage</p> 
---	--	---	--

Wheels and Hardware
Figure 22-120



ITEM	PART NUMBER	QTY	LINE	SERIES	BODY	ENGINE	TRANS	TRIM	DESCRIPTION
Note: Sales Code WJD = Wheels, 15x7.0 Styled Steel Note: Sales Code WJW = Wheels, 15x7.0 Aluminum Note: Sales Code WJ5 = Wheels, 15x7.0 Full Face Steel Note: Sales Code WJ7 = Wheels, 15x7.0 Luxury Aluminum									
1	5EW03T4A	4							WHEEL, Steel, WJD
2	52000019	1							WHEEL, Spare
3	5FV63S4A	4							WHEEL, Steel, WJ5
4									WHEEL, Aluminum
	5CC18KS7	4							[WJ7]
	5DR19TA8	4							[WJE]
	5EE80PAK	4							[WJW]
	5GC85MA8AA	4							[WJ1]
5	J4006956	20							NUT, Wheel, .50x20
6	34202523	12							SCREW, Hex Flange Head, M4.8x1.59x11.00

CHEROKEE (XJ)

SERIES

L = LOWLINE

LINE

B = JEEP - 2WD (RHD)
 U = JEEP - 4WD (RHD)
 T = LHD - (2WD)
 J = JEEP - - LHD (4WD)

BODY

72 = 2DR (101.4 WB)
 74 = 4 DR (101.4 WB)

ENGINE

ENC = 2.5L 4 Cyl Turbo Diesel Engine
 EPE = Engine - 2.5L Power Tech I-4 Cyl.
 ERH = 4.0L Power Tech I-6 Engine
 ENO = Engines - ALL 4/5 CYL Turbo Diesel
 ERO = Engines - All 4.0L 6 Cyl Gas
 EPO = ENGINES - ALL 2.5L 4 CYL GAS

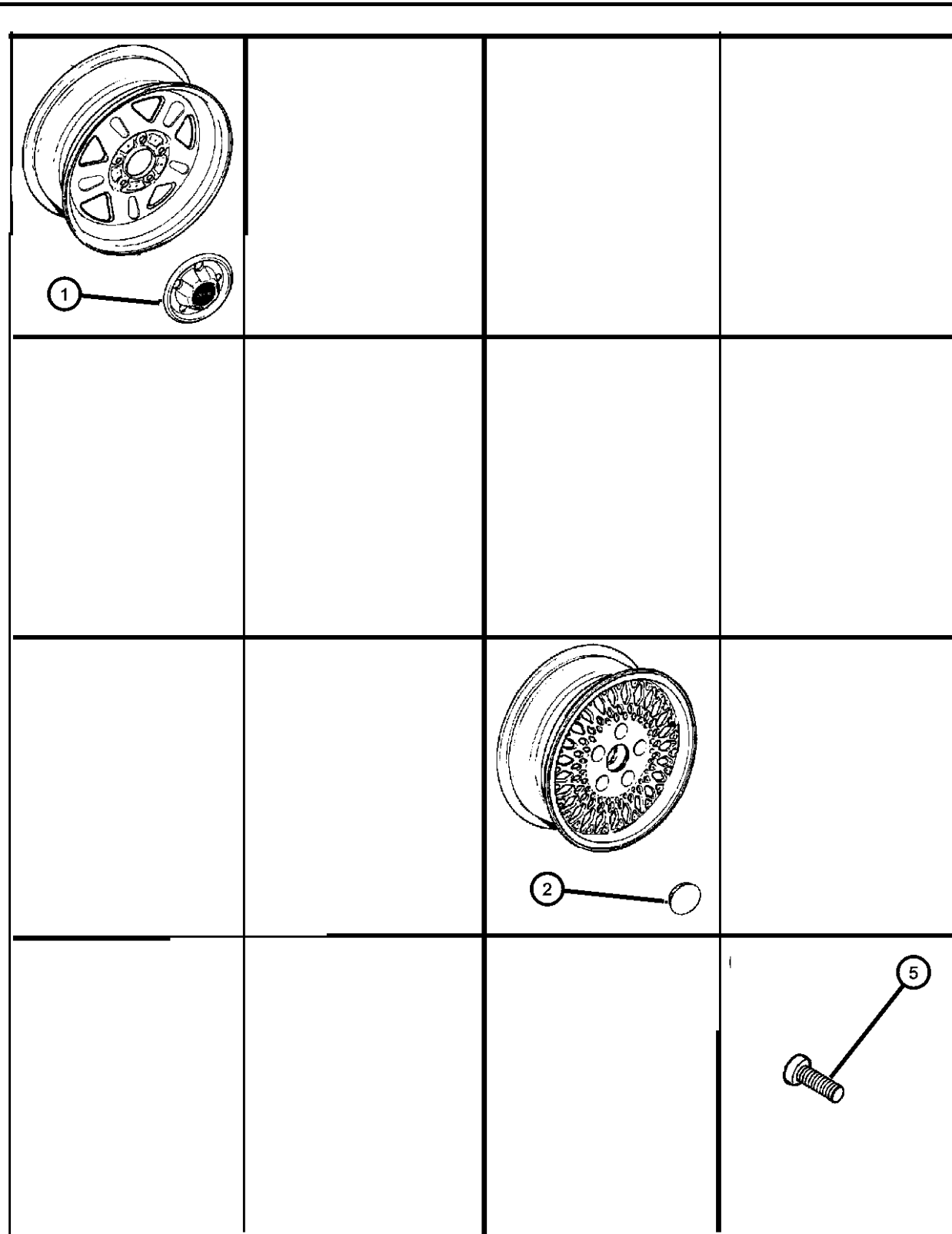
TRANSMISSION

DCB = Transmission - 4-Speed Manual,T3340
 DDQ = 5-Speed Manual Transmission
 DDG = 5-Speed HD Manual Transmission
 DGD = 3-Spd. Automatic 30RH Transmission
 DGK = 4-Spd. Automatic 42RE Transmission
 DGS = 4-Speed Automatic AW4 Transmission
 DGT = 4-Spd. Automatic 46RE Transmission
 DGW = TRANSMISSION - 4-SPD. AUTOMATIC,44RE
 DGX = 4-Speed Automatic Transmission
 DGY = No Description Available
 DGZ = Transmission- 4-Spd. Automatic,MT643
 DBB = ALL MANUAL TRANSMISSIONS
 DG0 = TRANSMISSIONS - ALL AUTOMATIC

AR = use ase required - = Non illustrated part

1998 XJ

Wheel Cap
Figure 22-220



ITEM	PART NUMBER	QTY	LINE	SERIES	BODY	ENGINE	TRANS	TRIM	DESCRIPTION
Note: Sales Code WJ7 = Wheels, 15x7.0 Luxury Aluminum Note: Sales Code WJ5 = Wheels, 15x7.0 Full Face Steel Note: Sales Code WJW = Wheels, 15x7.0 Aluminum Note: Sales Code WJD = Wheels, 15x7.0 Styled Steel									
1	52089008	4							CAP, Wheel Center
2	5CF97L3X	4							CAP, Wheel Center, Brushed Aluminum "Jeep" Name, WJ7 Country Package
-3	5DY07TA8	4							CAP, Wheel Center, WJW
-4									CAP, Wheel Center
	5CF34L4A	4							WJ5
	5DY07TA8	4							WJE
5	34202523	12							SCREW, Hex Flange Head, M4.8x1.59x11.00

CHEROKEE (XJ)

SERIES

L = LOWLINE

LINE

B = JEEP - 2WD (RHD)
 U = JEEP - 4WD (RHD)
 T = LHD - (2WD)
 J = JEEP - - LHD (4WD)

BODY

72 = 2DR (101.4 WB)
 74 = 4 DR (101.4 WB)

ENGINE

ENC = 2.5L 4 Cyl Turbo Diesel Engine
 EPE = Engine - 2.5L Power Tech I-4 Cyl.
 ERH = 4.0L Power Tech I-6 Engine
 ENO = Engines - ALL 4/5 CYL Turbo Diesel
 ERO = Engines - All 4.0L 6 Cyl Gas
 EPO = ENGINES - ALL 2.5L 4 CYL GAS

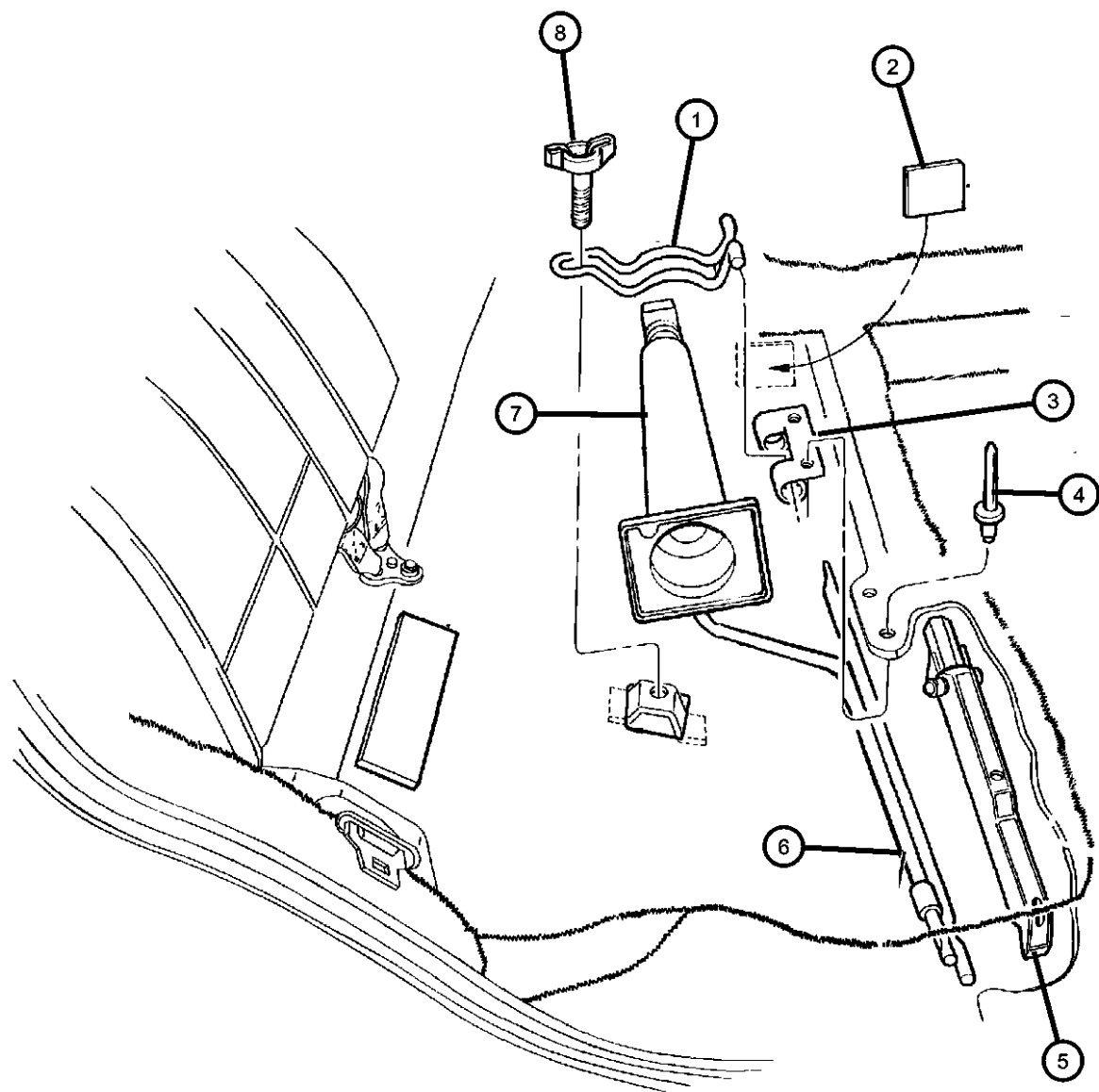
TRANSMISSION

DCB = Transmission - 4-Speed Manual,T3340
 DDQ = 5-Speed Manual Transmission
 DDG = 5-Speed HD Manual Transmission
 DGD = 3-Spd. Automatic 30RH Transmission
 DGK = 4-Spd. Automatic 42RE Transmission
 DGS = 4-Speed Automatic AW4 Transmission
 DGT = 4-Spd. Automatic 46RE Transmission
 DGW = TRANSMISSION - 4-SPD. AUTOMATIC,44RE
 DGX = 4-Speed Automatic Transmission
 DGY = No Description Available
 DGZ = Transmission- 4-Spd. Automatic,MT643
 DBB = ALL MANUAL TRANSMISSIONS
 DG0 = TRANSMISSIONS - ALL AUTOMATIC

AR = use ase required - = Non illustrated part

Jack Stowage
Figure 22-310

ITEM	PART NUMBER	QTY	LINE	SERIES	BODY	ENGINE	TRANS	TRIM	DESCRIPTION
1	52003474	1							RETAINER, Jack Hold Down
2	52004650	1							LABEL, Jack Ok
3	52001202	1							BRACKET, Jack
4	34201684	2							RIVET, M3.18x2.37
5	52003583	1							WRENCH, Wheel Lug Nut
6	52000221	1							HANDLE, Jack
7	52088450	1							JACK
8	52000354	1							WINGSCREW



CHEROKEE (XJ)

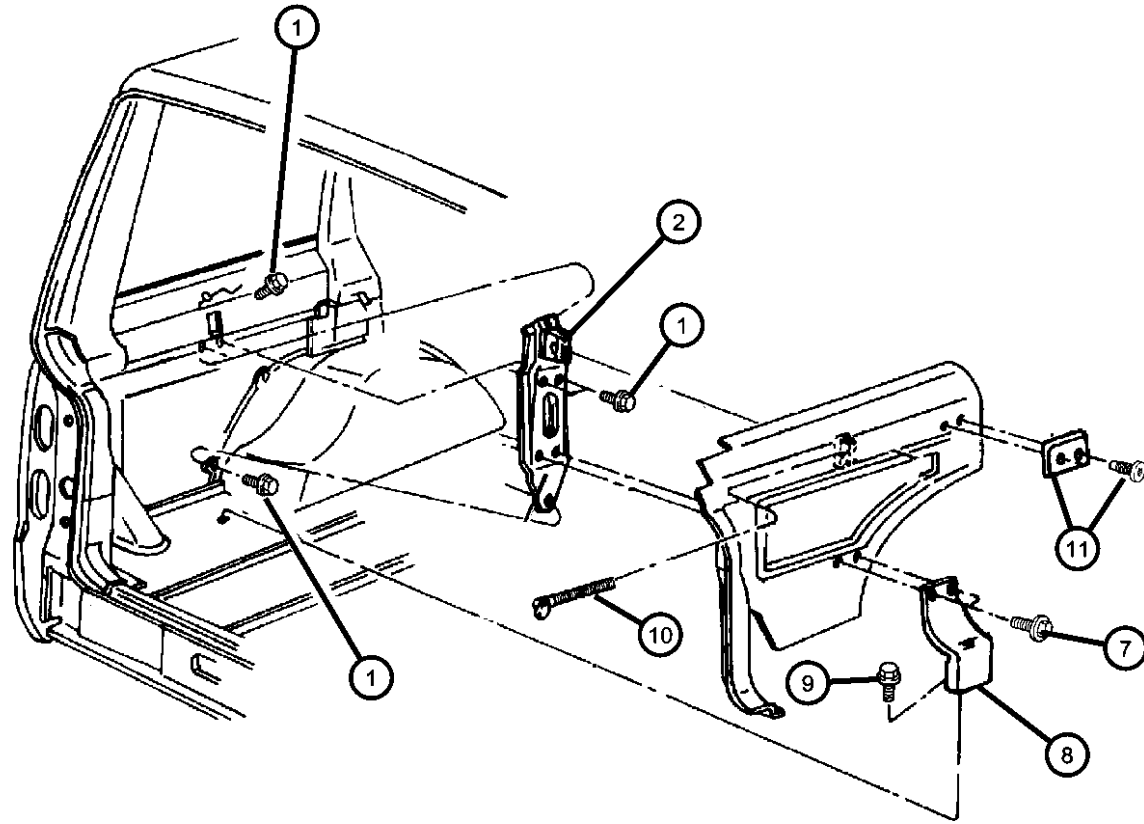
SERIES LINE
 L = LOWLINE B = JEEP - 2WD (RHD)
 U = JEEP - 4WD (RHD)
 T = LHD - (2WD)
 J = JEEP - - LHD (4WD)

BODY
 72 = 2DR (101.4 WB)
 74 = 4 DR (101.4 WB)

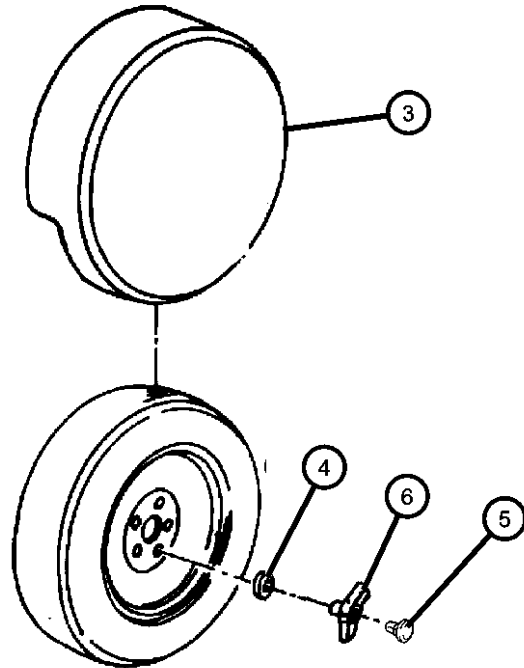
ENGINE TRANSMISSION
 ENC = 2.5L 4 Cyl Turbo Diesel Engine DCB = Transmission - 4-Speed Manual,T3340
 EPE = Engine - 2.5L Power Tech I-4 Cyl. DDQ = 5-Speed Manual Transmission
 ERH = 4.0L Power Tech I-6 Transmission DDX = 5-Speed HD Manual
 Engine DGD = 3-Spd. Automatic 30RH
 ENO = Engines - ALL 4/5 CYL Turbo Diesel Transmission
 ERO = Engines - All 4.0L 6 Cyl Gas DGK = 4-Spd. Automatic 42RE
 EPO = ENGINES - ALL 2.5L 4 CYL GAS DGS = 4-Speed Automatic AW4
 Transmission
 DGT = 4-Spd. Automatic 46RE
 Transmission
 DGW = TRANSMISSION - 4-SPD. AUTOMATIC,44RE
 DGX = 4-Speed Automatic Transmission
 DGY = No Description Available
 DGZ = Transmission- 4-Spd. Automatic,MT643
 DBB = ALL MANUAL TRANSMISSIONS
 DGO = TRANSMISSIONS - ALL AUTOMATIC

AR = use ase required - = Non illustrated part

Wheel, Spare
Figure 22-430



ITEM	PART NUMBER	QTY	LINE	SERIES	BODY	ENGINE	TRANS	TRIM	DESCRIPTION
1	34201381	4							SCREW, Hex Flange Head Tapping, M6x1.00x20.00
2	55235195	1	J, T						BRACKET, Swing Bolt Retainer
3									COVER, Inside Spare Tire
	5FM74TC3	1							Grey, Compact Spare
	5FM74TT6	1							Spice, Compact Spare
	5FM76RC3AB	1							Grey, Standard
	5FM76RT6AB	1							Spice, Standard
4	52087669	1	J, T						CUP, Spare Tire Retention
5	52000733	1							CAP, Spare Tire Wing Nut
6	06503070	1							WINGNUT, Jack and Tire Hold Down
7	34201610	2							SCREW AND WASHER, Hex Head, M6x1x30
8	55000859	1	J, T						BRACKET, Spare Tire
9	03820898	3	J, U						SCREW
10	55235181AB	1	J, T						BOLT, Spare Wheel Hold Down
11	55235181AB	1							REST, Spare Tire, (NOT SERVICED)
-12	52088459	1							PAD, Spare Tire



CHEROKEE (XJ)

SERIES LINE
 L = LOWLINE B = JEEP - 2WD (RHD)
 U = JEEP - 4WD (RHD)
 T = LHD - (2WD)
 J = JEEP - - LHD (4WD)

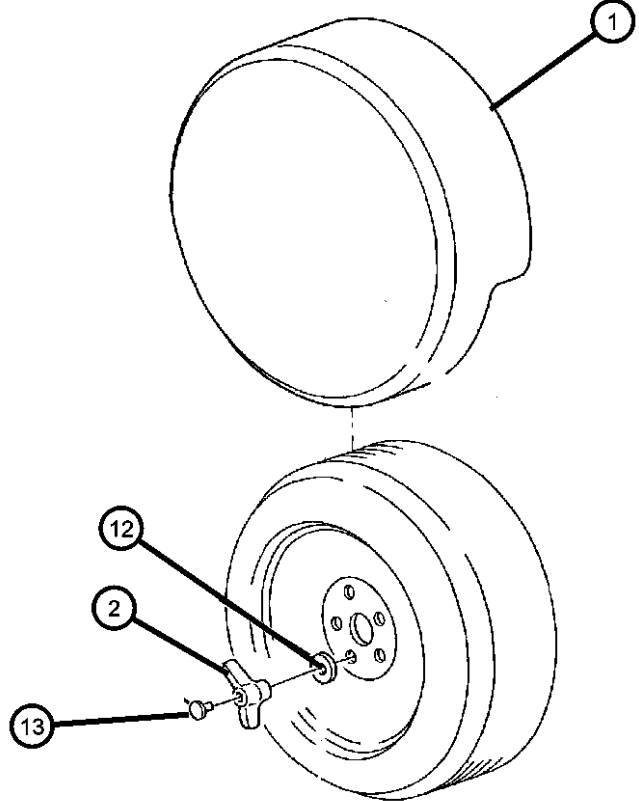
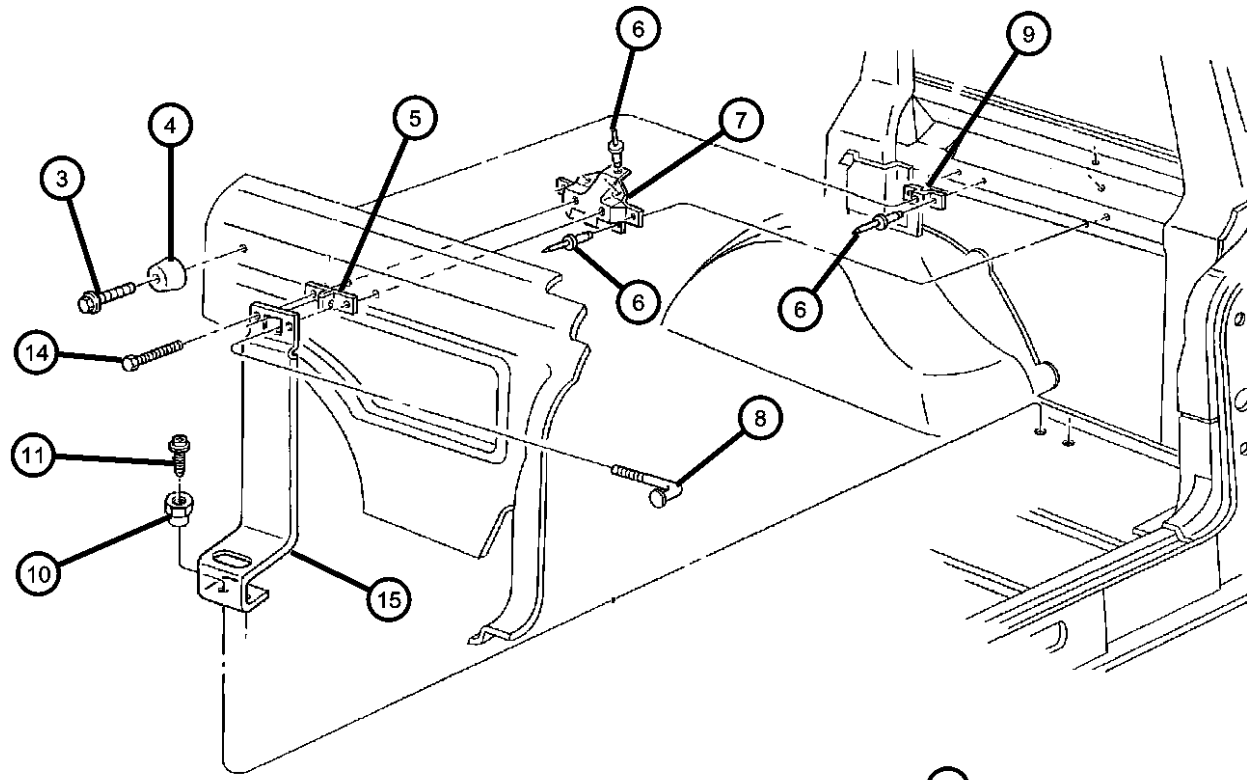
BODY
 72 = 2DR (101.4 WB)
 74 = 4 DR (101.4 WB)

ENGINE TRANSMISSION
 ENC = 2.5L 4 Cyl Turbo Diesel Engine
 EPE = Engine - 2.5L Power Tech I-4 Cyl.
 ERH = 4.0L Power Tech I-6 Engine
 ENO = Engines - ALL 4/5 CYL Turbo Diesel
 ERO = Engines - All 4.0L 6 Cyl Gas
 EPO = ENGINES - ALL 2.5L 4 CYL GAS
 DCB = Transmission - 4-Speed Manual,T3340
 DDQ = 5-Speed Manual Transmission
 DDX = 5-Speed HD Manual Transmission
 DGD = 3-Spd. Automatic 30RH Transmission
 DGK = 4-Spd. Automatic 42RE Transmission
 DGS = 4-Speed Automatic AW4 Transmission
 DGT = 4-Spd. Automatic 46RE Transmission
 DGW = TRANSMISSION - 4-SPD. AUTOMATIC,44RE
 DGX = 4-Speed Automatic Transmission
 DGY = No Description Available
 DGZ = Transmission- 4-Spd. Automatic,MT643
 DBB = ALL MANUAL TRANSMISSIONS
 DGO = TRANSMISSIONS - ALL AUTOMATIC

AR = use ase required - = Non illustrated part

1998 XJ

Wheel, Spare
Figure 22-440



ITEM	PART NUMBER	QTY	LINE	SERIES	BODY	ENGINE	TRANS	TRIM	DESCRIPTION
1	5FM74TC3	1							COVER, Inside Spare Tire Grey, Compact Spare
	5FM74TT6	1							Spice, Compact Spare
	5FM76RC3AB	1							Grey, Standard
	5FM76RT6AB	1							Spice, Standard
2	06503070	1							WINGNUT, Jack and Tire Hold Down
3	06503070	1							SCREW AND WASHER, Hex Head, M8x1.25x20, (NOT SERVICED)
4	06503070	1							REST, Spare Tire, (NOT SERVICED)
5	55345292	1	B, U						BRACKET, Swing Bolt Retainer
6	34201197	2	B, U						RIVET, Blind, M3.17x10.00
7	55235367	1	B, U						BRACKET, Spare Tire
8	55235181AB	1	J, T						BOLT, Spare Wheel Hold Down
9	55235181AB	1							BRACKET, Spare Tire, (NOT SERVICED)
10	06502751	2	B, U						NUT/RIVET, Round, M6.00 x 1.00 x 15.00
11	34201661	2	B, U						SCREW AND WASHER, Button Head
12	52087669	1	J, T						CUP, Spare Tire Retention
13	52000733	1							CAP, Spare Tire Wing Nut
14	52000733	1							SCREW, (NOT SERVICED)
15	55344556	1	B, U						BRACKET, Spare Tire

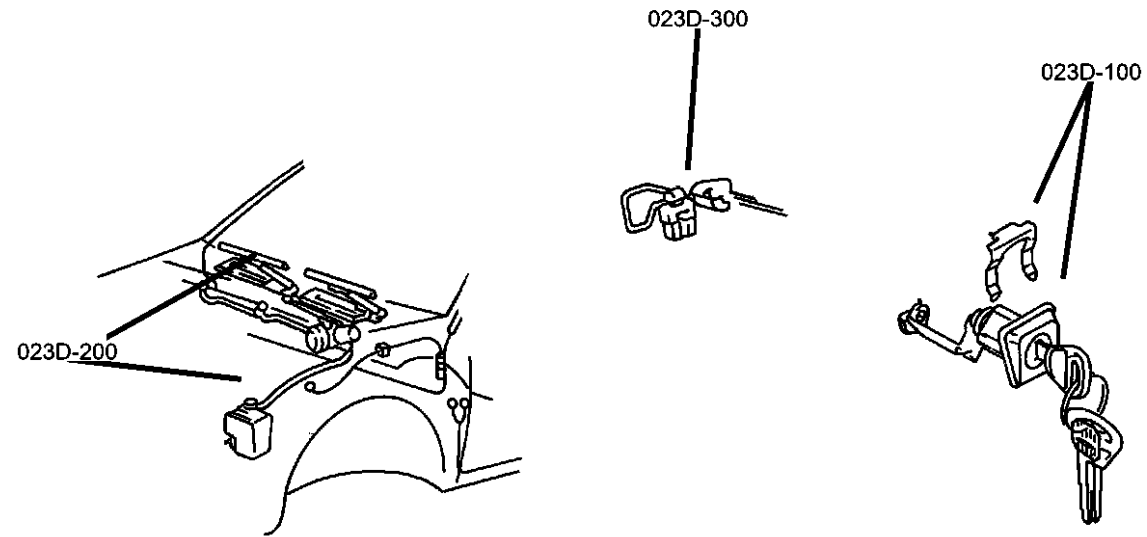
CHEROKEE (XJ)

SERIES	LINE	BODY	ENGINE	TRANSMISSION
L = LOWLINE	B = JEEP - 2WD (RHD) U = JEEP - 4WD (RHD) T = LHD - (2WD) J = JEEP - - LHD (4WD)	72 = 2DR (101.4 WB) 74 = 4 DR (101.4 WB)	ENC = 2.5L 4 Cyl Turbo Diesel EPE = Engine - 2.5L Power Tech I-4 Cyl. ERH = 4.0L Power Tech I-6 Engine ENO = Engines - ALL 4/5 CYL Turbo Diesel ERO = Engines - All 4.0L 6 Cyl Gas EPO = ENGINES - ALL 2.5L 4 CYL GAS	DCB = Transmission - 4-Speed Manual,T3340 DDQ = 5-Speed Manual Transmission DDX = 5-Speed HD Manual Transmission DGD = 3-Spd. Automatic 30RH Transmission DGK = 4-Spd. Automatic 42RE Transmission DGS = 4-Speed Automatic AW4 Transmission DGT = 4-Spd. Automatic 46RE Transmission DGW = TRANSMISSION - 4-SPD. AUTOMATIC,44RE DGX = 4-Speed Automatic Transmission DGY = No Description Available DGZ = Transmission- 4-Spd. Automatic,MT643 DBB = ALL MANUAL TRANSMISSIONS DGO = TRANSMISSIONS - ALL AUTOMATIC

AR = use ase required - = Non illustrated part

Group - 23D

Wiper/Lock Cylinder and Keys



Group - 23D Wiper/Lock Cylinder and Keys

Illustration Title

Group-Fig. No.

Lock Cylinders and Keys

Lock Cylinders & Keys.....Fig. 23D - 120

Windshield Wiper and Washer Systems

Windshield Wiper & Washer L.H.D.....Fig. 23D - 220

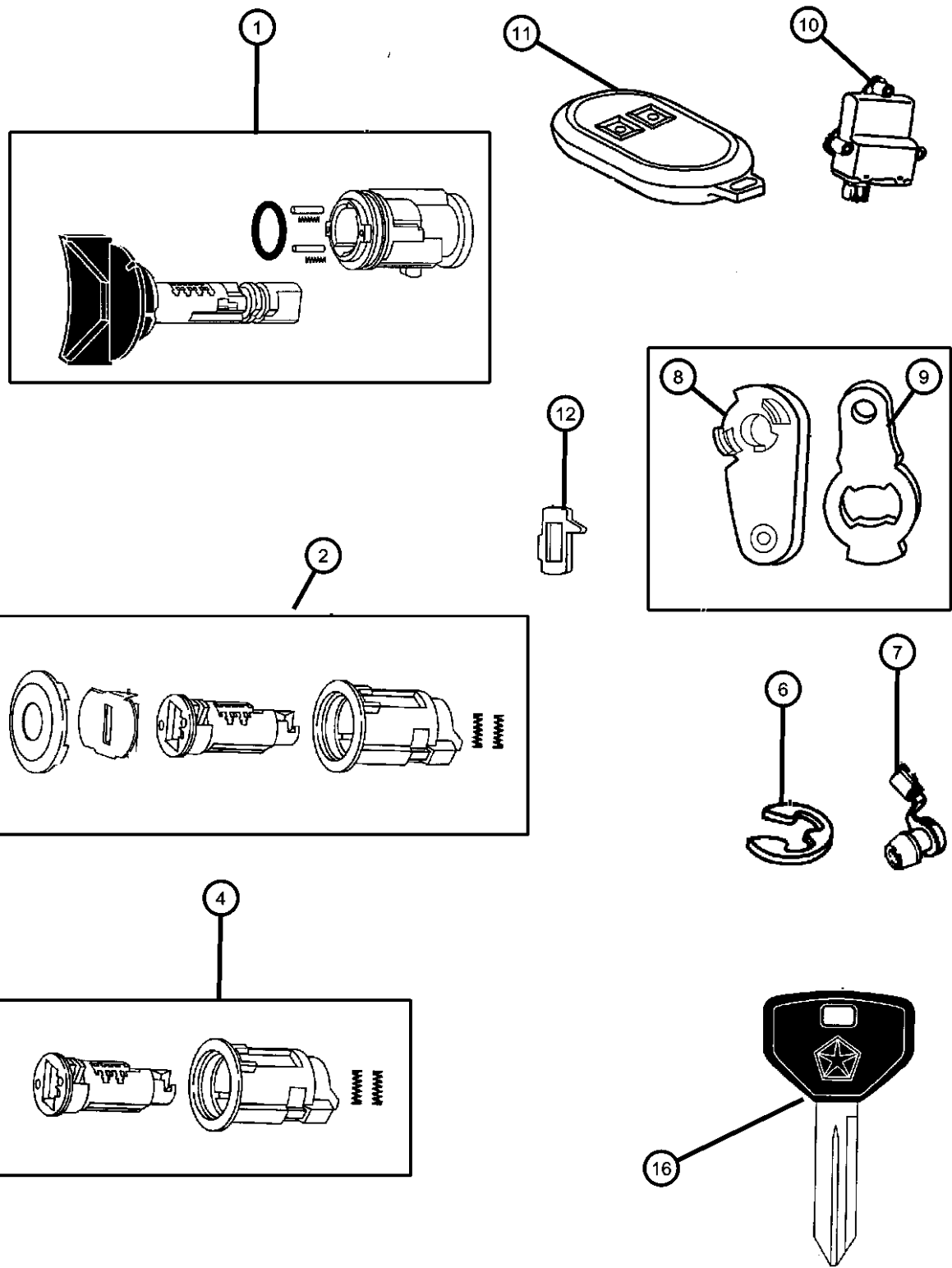
Windshield Wiper & Washer R.H.D.....Fig. 23D - 222

Rear Wiper and Washer System

Rear Wiper & Washer.....Fig. 23D - 320

<p>23D-100 Lock Cylinders and Keys</p>	<p>23D-200 Windshield Wiper and Washer Systems</p>	<p>23D-300 Rear Wiper and Washer System</p>	
---	---	--	--

Lock Cylinders & Keys
Figure 23D-120

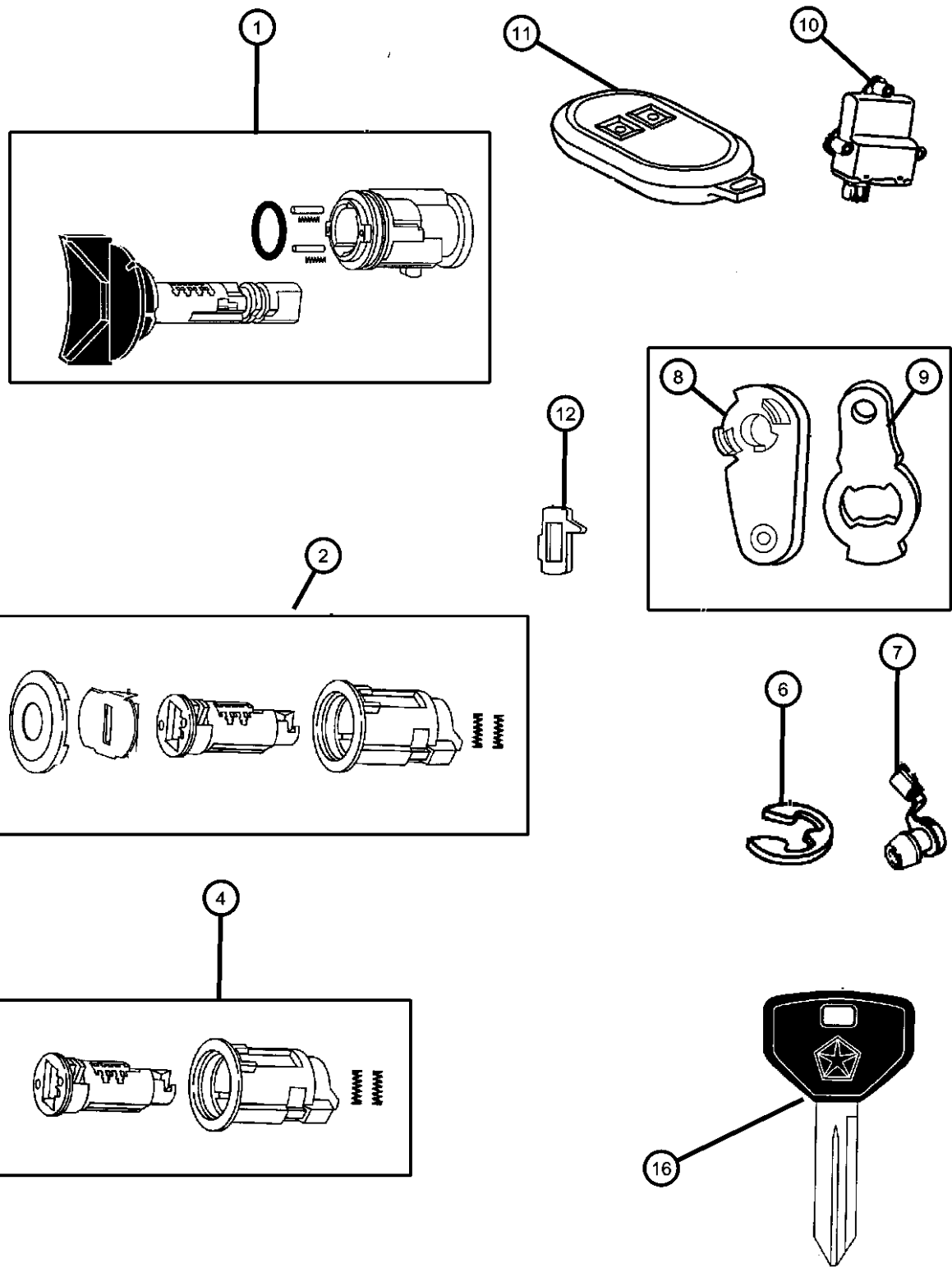


ITEM	PART NUMBER	QTY	LINE	SERIES	BODY	ENGINE	TRANS	TRIM	DESCRIPTION
1	05003843AA	1							CYLINDER, Ignition Lock USA EUROPE
2	04864651	AR							CYLINDER, Door Lock
-3	55235561	2							GASKET, Door Lock Cylinder, Black
4	04746315	AR							CYLINDER, Glove Box Lock
-5	55075837	1							LOCK CYLINDER, Complete, Door/Liftgate, Bright
6	06026125	1							CLIP, Retainer
7	04658444	1							CLIP, Latch Purple
	04658445	1							Orange
8	55075824	1							LEVER, Door Lock Cylinder
9	55075838	1							LEVER, Liftgate Lock Cylinder
10	56009387AC	1							RECEIVER, Keyless Entry w/Immobilizer & w/Full Console (EUROPE) w/Immobilizer & w/Mini Dome Assembly (EUROPE)
	56009390AC	1							w/o Immobilizer & w/Full Console w/o Immobilizer & w/Mini Dome Assembly
11	56008968	1							TRANSMITTER, Keyless Entry w/o Immobilizer
	56008969	1							w/Immobilizer

CHEROKEE (XJ)				
SERIES	LINE	BODY	ENGINE	TRANSMISSION
L = LOWLINE	B = JEEP - 2WD (RHD) U = JEEP - 4WD (RHD) T = LHD - (2WD) J = JEEP - - LHD (4WD)	72 = 2DR (101.4 WB) 74 = 4 DR (101.4 WB)	ENC = 2.5L 4 Cyl Turbo Diesel Engine EPE = Engine - 2.5L Power Tech I-4 Cyl. ERH = 4.0L Power Tech I-6 Engine ENO = Engines - ALL 4/5 CYL Turbo Diesel ERO = Engines - All 4.0L 6 Cyl Gas EPO = ENGINES - ALL 2.5L 4 CYL GAS	DCB = Transmission - 4-Speed Manual,T3340 DDQ = 5-Speed Manual Transmission DDX = 5-Speed HD Manual Transmission DGD = 3-Spd. Automatic 30RH Transmission DGK = 4-Spd. Automatic 42RE Transmission DGS = 4-Speed Automatic AW4 Transmission DGT = 4-Spd. Automatic 46RE Transmission DGW = TRANSMISSION - 4-SPD. AUTOMATIC,44RE DGX = 4-Speed Automatic Transmission DGY = No Description Available DGZ = Transmission- 4-Spd. Automatic,MT643 DBB = ALL MANUAL TRANSMISSIONS DGO = TRANSMISSIONS - ALL AUTOMATIC

AR = use ase required - = Non illustrated part

Lock Cylinders & Keys
Figure 23D-120

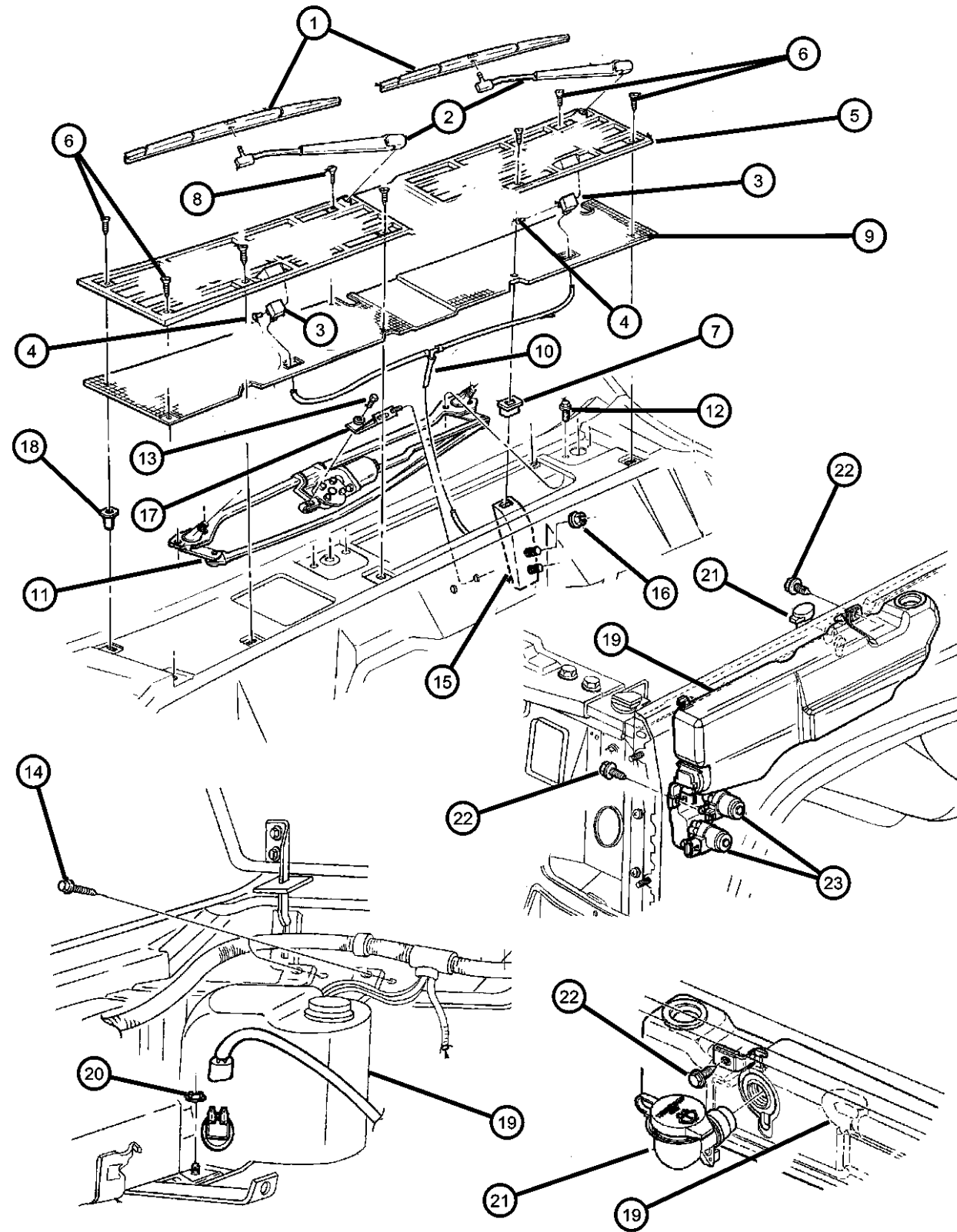


ITEM	PART NUMBER	QTY	LINE	SERIES	BODY	ENGINE	TRANS	TRIM	DESCRIPTION
12	05257132	AR							TUMBLER, Ignition Number 1, Glovebox/Ignition
-13	05257133	AR							TUMBLER, Ignition Number 2, Glovebox/Ignition
-14	05257134	AR							TUMBLER, Ignition Number 3, Glovebox/Ignition
-15	05257135	AR							TUMBLER, Ignition Number 4, Glovebox/Ignition
16	04746316	2							KEY, Blank
-17	05010366AA	1							KEY, Master, Sentry Key w/Immobilizer
-18	55314965AB	1							TRIM RING, Ignition Key Cylinder
-19	55295904	2							RETAINER, Door Cylinder To Handle
-20									MODULE, Security Alarm
	05011619AA	1							w/Keyless Entry
	05012164AA	1							w/o Keyless Entry
	56009712AC	1							w/Sentry Key
-21									MODULE PACKAGE, Keyless Entry
	05003378AB	1							
	05003382AB	1							EUROPE

CHEROKEE (XJ)
 SERIES LINE BODY ENGINE TRANSMISSION
 L = LOWLINE B = JEEP - 2WD (RHD) 72 = 2DR (101.4 WB) ENC = 2.5L 4 Cyl Turbo Diesel Engine DCB = Transmission - 4-Speed Manual,T3340
 U = JEEP - 4WD (RHD) 74 = 4 DR (101.4 WB) EPE = Engine - 2.5L Power Tech I-4 Cyl. DDQ = 5-Speed Manual Transmission
 T = LHD - (2WD) ERH = 4.0L Power Tech I-6 Engine DDG = 5-Speed HD Manual Transmission
 J = JEEP - - LHD (4WD) ENO = Engines - ALL 4/5 CYL Turbo Diesel DGD = 3-Spd. Automatic 30RH Transmission
 ERO = Engines - All 4.0L 6 Cyl Gas DGK = 4-Spd. Automatic 42RE Transmission
 EPO = ENGINES - ALL 2.5L 4 CYL GAS DGS = 4-Speed Automatic AW4 Transmission
 DGT = 4-Spd. Automatic 46RE Transmission
 DGW = TRANSMISSION - 4-SPD. AUTOMATIC,44RE
 DGX = 4-Speed Automatic Transmission
 DGY = No Description Available
 DGZ = Transmission- 4-Spd. Automatic,MT643
 DBB = ALL MANUAL TRANSMISSIONS
 DGO = TRANSMISSIONS - ALL AUTOMATIC

AR = use ase required - = Non illustrated part

Windshield Wiper & Washer L.H.D.
Figure 23D-220



ITEM	PART NUMBER	QTY	LINE	SERIES	BODY	ENGINE	TRANS	TRIM	DESCRIPTION
-26	04778350	1							GROMMET, Washer Reservoir, Filler Neck
-27	55154979	1							SENSOR, Washer Fluid Level

CHEROKEE (XJ)

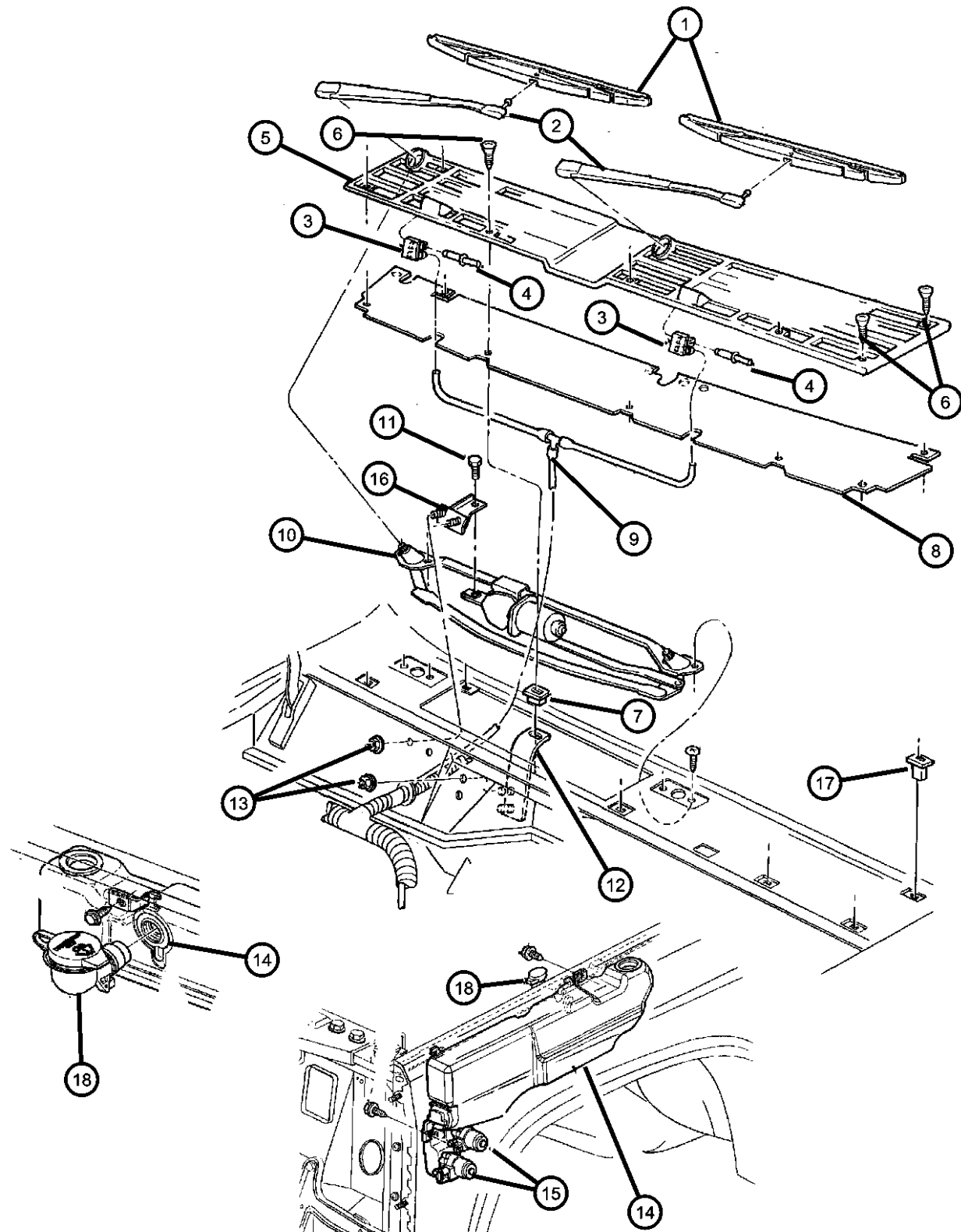
SERIES LINE
L = LOWLINE B = JEEP - 2WD (RHD)
U = JEEP - 4WD (RHD)
T = LHD - (2WD)
J = JEEP - - LHD (4WD)

BODY
72 = 2DR (101.4 WB)
74 = 4 DR (101.4 WB)

ENGINE TRANSMISSION
ENC = 2.5L 4 Cyl Turbo Diesel Engine DCB = Transmission - 4-Speed Manual,T3340
EPE = Engine - 2.5L Power Tech I-4 Cyl. DDQ = 5-Speed Manual Transmission
ERH = 4.0L Power Tech I-6 Engine DDX = 5-Speed HD Manual Transmission
ENO = Engines - ALL 4/5 CYL Turbo Diesel DGD = 3-Spd. Automatic 30RH Transmission
ERO = Engines - All 4.0L 6 Cyl Gas DGK = 4-Spd. Automatic 42RE Transmission
EPO = ENGINES - ALL 2.5L 4 CYL GAS DGS = 4-Speed Automatic AW4 Transmission
DGT = 4-Spd. Automatic 46RE Transmission
DGW = TRANSMISSION - 4-SPD. AUTOMATIC,44RE
DGX = 4-Speed Automatic Transmission
DGY = No Description Available
DGZ = Transmission- 4-Spd. Automatic,MT643
DBB = ALL MANUAL TRANSMISSIONS
DGO = TRANSMISSIONS - ALL AUTOMATIC

AR = use ase required - = Non illustrated part

**Windshield Wiper & Washer R.H.D.
Figure 23D-222**



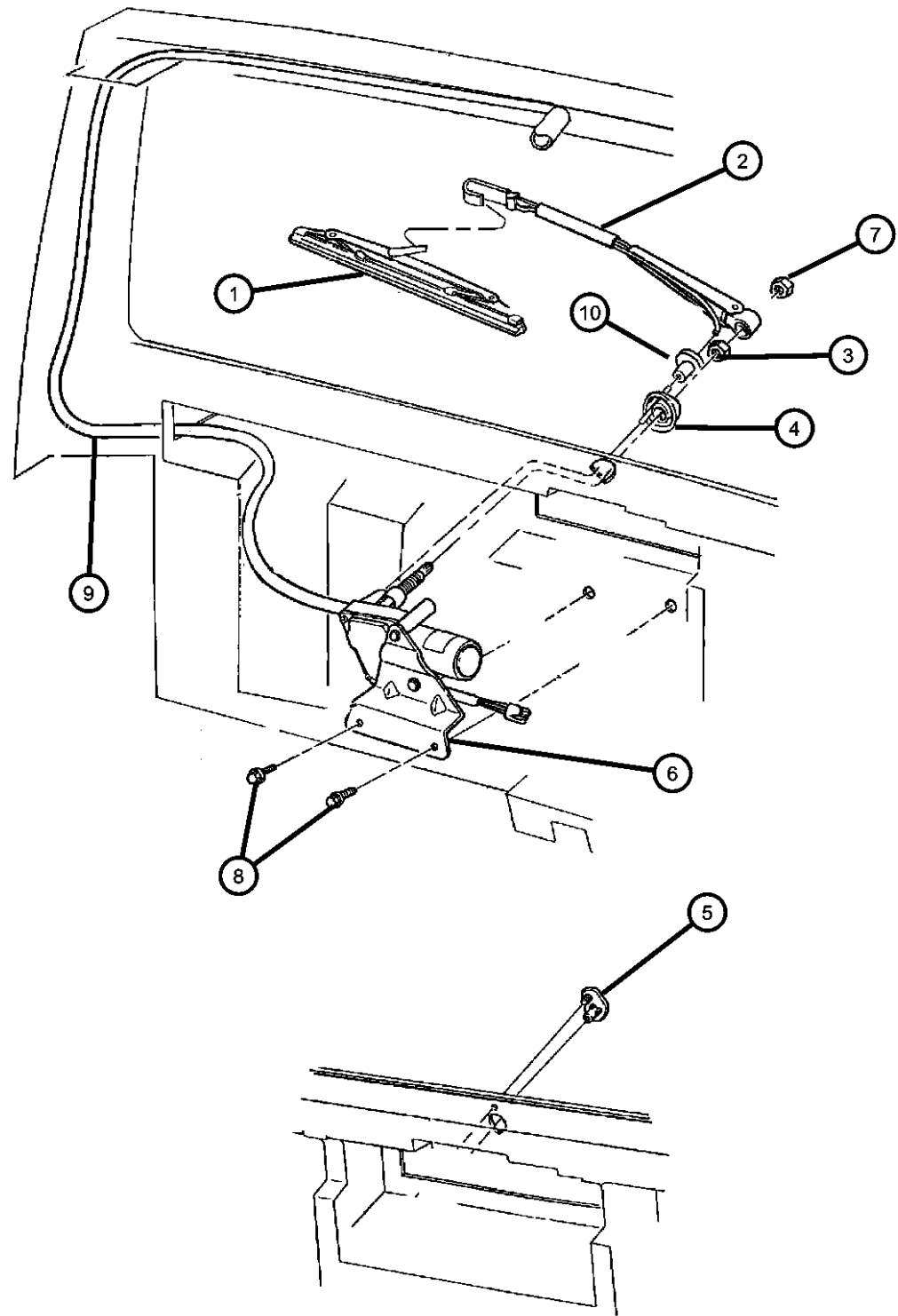
ITEM	PART NUMBER	QTY	LINE	SERIES	BODY	ENGINE	TRANS	TRIM	DESCRIPTION
1	55155652	2	B, U						BLADE, Wiper
2	55155651	2	B, U						ARM, Wiper
3	56001601	2							NOZZLE, Washer, Windshield
4	J4004262	2							PIN, Push, .15x.41
5	55027696	1	B, U						GRILLE, Cowl Panel
6	34201230	7							SCREW, Round Washer Head AB
7	34201872	AR							NUT, Snap In, M4.2 x 1.41
8	55027697	1	B, U						SCREEN, Cowl
9	55027697	1							HOSE, Windshield Washer, 0156 ID=4MM, (NOT SERVICED)
10	55155300	1	B, U						MOTOR, Wiper
11	34201686	1							BOLT, Hex Flange Head, M12x1.18x35
12	55235371AB	1	B, U						BRACKET, Extension to Cowl Top
13	34201358	2							NUT AND WASHER, Hex Nut-Sealing Washer, M6 x 1.00
14									RESERVOIR, Washer
	04778344	1							w/Sensor
	04778345	1							w/o Sensor
15									PUMP, Washer, Windshield
	04778347	1							Front
	04778348	1							Rear
16	55154763	1	B, U						BRACKET, Wiper Motor
17	J4005242	5							NUT, Push

CHEROKEE (XJ)

SERIES	LINE	BODY	ENGINE	TRANSMISSION
L = LOWLINE	B = JEEP - 2WD (RHD) U = JEEP - 4WD (RHD) T = LHD - (2WD) J = JEEP - - LHD (4WD)	72 = 2DR (101.4 WB) 74 = 4 DR (101.4 WB)	ENC = 2.5L 4 Cyl Turbo Diesel Engine EPE = Engine - 2.5L Power Tech I-4 Cyl. ERH = 4.0L Power Tech I-6 Engine ENO = Engines - ALL 4/5 CYL Turbo Diesel ERO = Engines - All 4.0L 6 Cyl Gas EPO = ENGINES - ALL 2.5L 4 CYL GAS	DCB = Transmission - 4-Speed Manual, T3340 DDQ = 5-Speed Manual Transmission DDX = 5-Speed HD Manual Transmission DGD = 3-Spd. Automatic 30RH Transmission DGK = 4-Spd. Automatic 42RE Transmission DGS = 4-Speed Automatic AW4 Transmission DGT = 4-Spd. Automatic 46RE Transmission DGW = TRANSMISSION - 4-SPD. AUTOMATIC, 44RE DGX = 4-Speed Automatic Transmission DGY = No Description Available DGZ = Transmission- 4-Spd. Automatic, MT643 DBB = ALL MANUAL TRANSMISSIONS DGO = TRANSMISSIONS - ALL AUTOMATIC

AR = use ase required - = Non illustrated part

Rear Wiper & Washer
Figure 23D-320



ITEM	PART NUMBER	QTY	LINE	SERIES	BODY	ENGINE	TRANS	TRIM	DESCRIPTION
1	55154920AB	1							BLADE, Wiper
	WBW00013AD								Mopar Alternative Winter Wiper Blades
	WB000013AE								Mopar V-Line Alternative Part
2	55155652	2	B, U						ARM, Wiper
	55154919AB	1							
	55155651	2	B, U						
3	06502299	1							CAPS, M16x1.00
4	55154942AB	1							BEZEL, Liftgate Wiper Motor
5	55154939AB	1							PLUG, Liftgate
6	55154944AB	1							MOTOR, Wiper
7	06500165	1							NUT, Wiper Arm
8	06100287	2							SCREW, M6x1x25
9	55155041AB	1							HOSE, Windshield Washer
10	34201767	1							CLIP, Tube
-11	04778344	1							RESERVOIR, Washer

CHEROKEE (XJ)

SERIES	LINE	BODY	ENGINE	TRANSMISSION
L = LOWLINE	B = JEEP - 2WD (RHD) U = JEEP - 4WD (RHD) T = LHD - (2WD) J = JEEP - - LHD (4WD)	72 = 2DR (101.4 WB) 74 = 4 DR (101.4 WB)	ENC = 2.5L 4 Cyl Turbo Diesel Engine EPE = Engine - 2.5L Power Tech I-4 Cyl. ERH = 4.0L Power Tech I-6 Engine ENO = Engines - ALL 4/5 CYL Turbo Diesel ERO = Engines - All 4.0L 6 Cyl Gas EPO = ENGINES - ALL 2.5L 4 CYL GAS	DCB = Transmission - 4-Speed Manual,T3340 DDQ = 5-Speed Manual Transmission DDX = 5-Speed HD Manual Transmission DGD = 3-Spd. Automatic 30RH Transmission DGK = 4-Spd. Automatic 42RE Transmission DGS = 4-Speed Automatic AW4 Transmission DGT = 4-Spd. Automatic 46RE Transmission DGW = TRANSMISSION - 4-SPD. AUTOMATIC,44RE DGX = 4-Speed Automatic Transmission DGY = No Description Available DGZ = Transmission- 4-Spd. Automatic,MT643 DBB = ALL MANUAL TRANSMISSIONS DGO = TRANSMISSIONS - ALL AUTOMATIC

AR = use ase required - = Non illustrated part

Group - 24

Air Conditioning & Heater

Group - 24 Air Conditioning & Heater

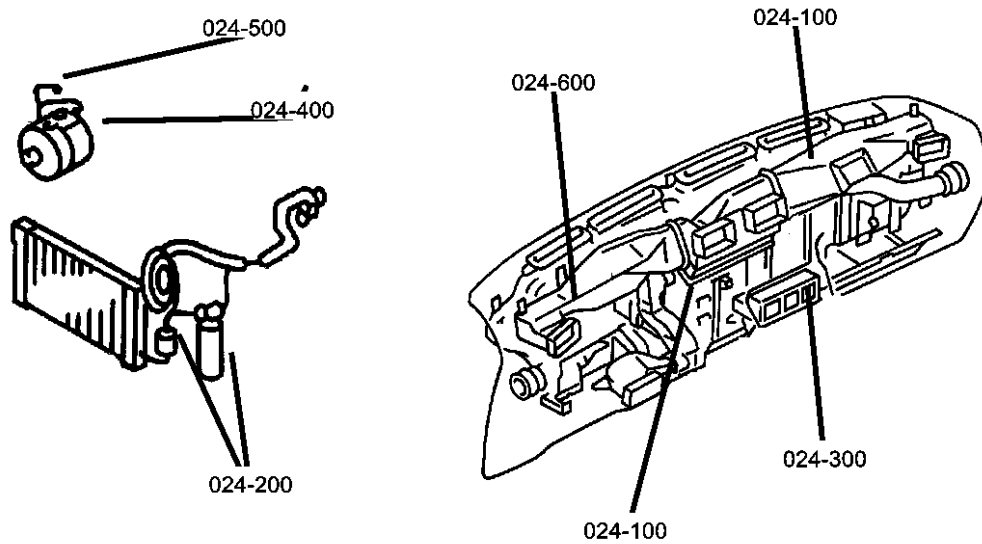


Illustration Title

Group-Fig. No.

Air Conditioner and Heater Units

Hevac Unit Fig. 24 - 110

Air Conditioner and Heater Plumbing

Plumbing, Heater 2.5,4.0L Gas Engines LHD Fig. 24 - 210
 Plumbing, Heater 2.5,4.0L Gas Engines RHD Fig. 24 - 220
 Plumbing, Heater 2.5L Diesel Engine LHD Fig. 24 - 230
 Plumbing, Heater 2.5L Diesel Engine RHD Fig. 24 - 240
 Plumbing, Air Conditioning 2.5,4.0L Gas Engines LHD Fig. 24 - 250
 Plumbing, Air Conditioning 2.5L Gas Engine RHD Fig. 24 - 260
 Plumbing, Air Conditioning 4.0L Engine RHD Fig. 24 - 270
 Plumbing, Air Conditioning 2.5L Diesel Engine LHD Fig. 24 - 280
 Plumbing, Air Conditioning 2.5L Diesel Engine RHD Fig. 24 - 290

Air Conditioner and Heater Controls

Control, Heater and Air Conditioning Fig. 24 - 310

Air Conditioning Compressor

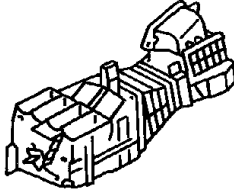
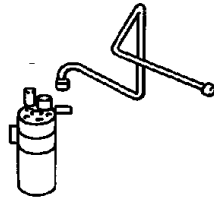
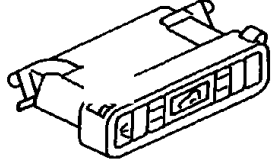
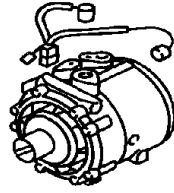
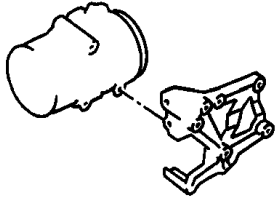
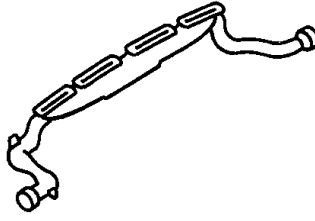
Compressor, Air Conditioning 2.5,4.0L Gas Engines Fig. 24 - 410
 Compressor, Air Conditioning 2.5L Diesel Engine Fig. 24 - 415

Air Conditioning Compressor Mounting

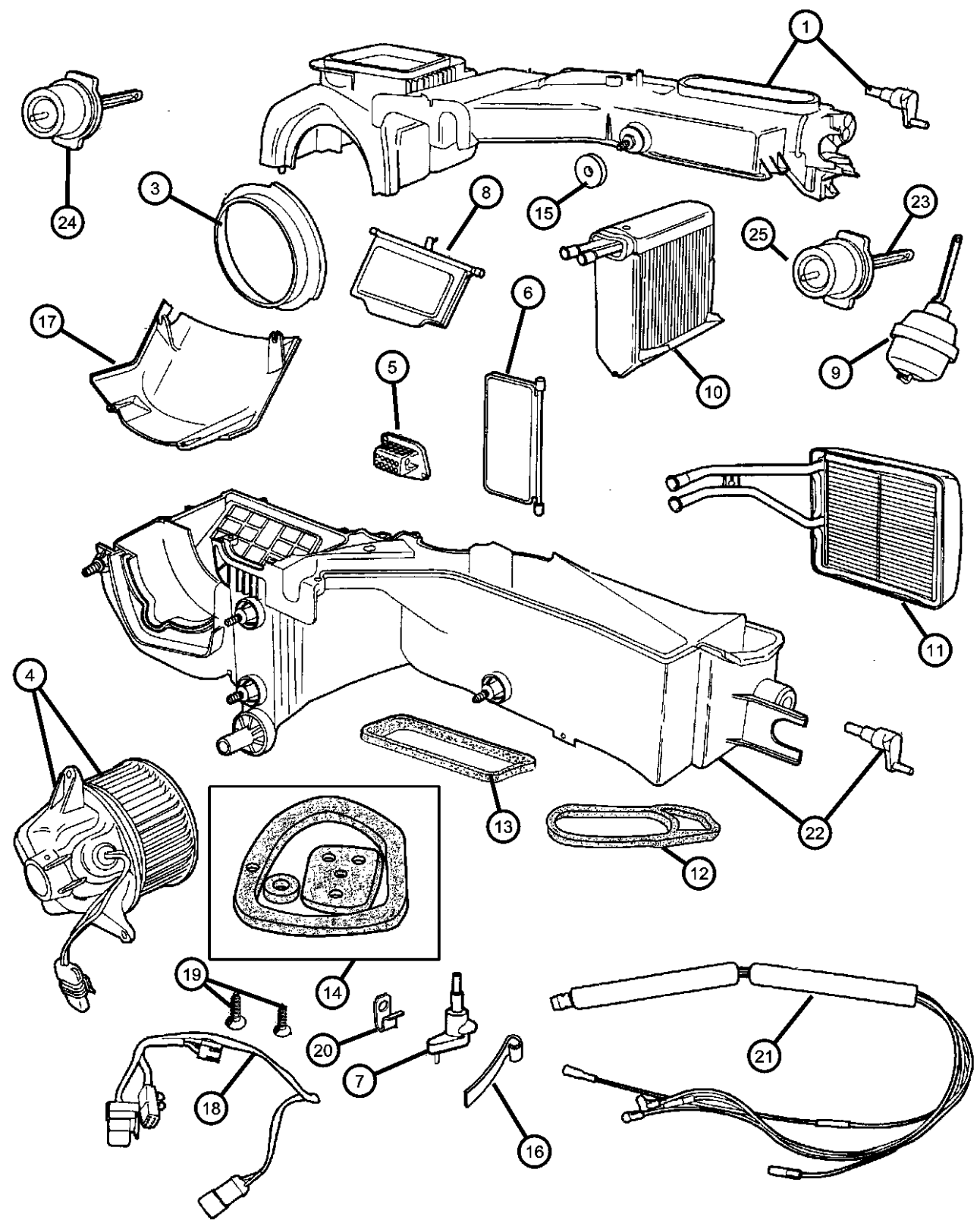
Compressor Mounting Fig. 24 - 510

Air Ducts and Outlets

Air Distribution Ducts Fig. 24 - 610

<p>024-100 Air Conditioner and Heater Units</p> 	<p>024-200 Air Conditioner and Heater Plumbing</p> 	<p>024-300 Air Conditioner and Heater Controls</p> 	<p>024-400 Air Conditioning Compressor</p> 
<p>024-500 Air Conditioning Compressor Mounting</p> 	<p>024-600 Air Ducts and Outlets</p> 		

Hevac Unit
Figure 24-110



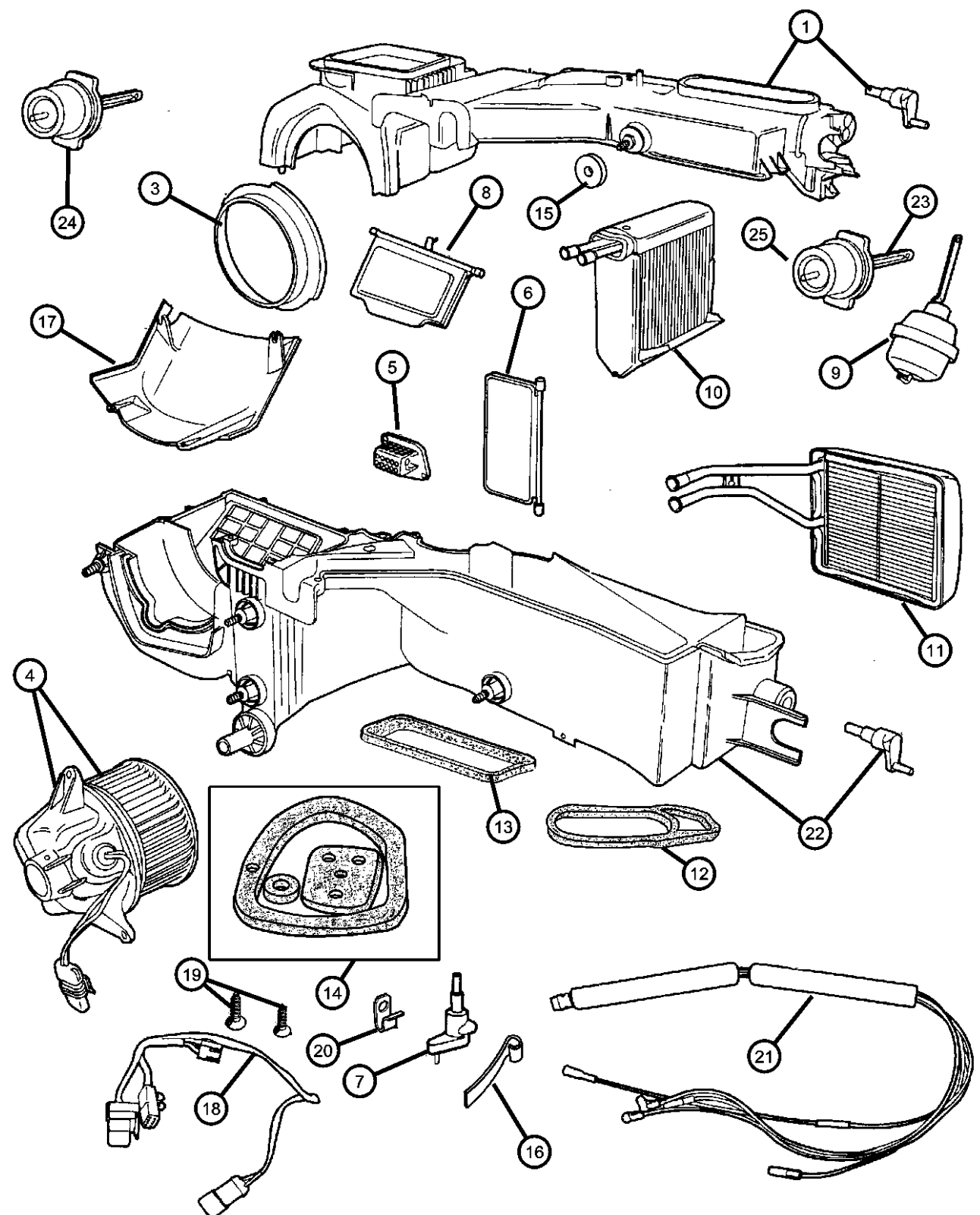
ITEM	PART NUMBER	QTY	LINE	SERIES	BODY	ENGINE	TRANS	TRIM	DESCRIPTION
1	04864943	1	J, T						HOUSING, A/C Upper
	04864945	1	B, U						Upper
-2	05013736AA	1	J, T						HOUSING, Heater
3									RING
	04864951	1	J, T						
		1	B, U						
4									BLOWER
	04864956	1	B, U						
	04886150AA	1	J, T						
5									RESISTOR, Blower Motor
	04864957	1	J, T						
		1	B, U						
6									DOOR, Blend Air
	04897610AA	1	J, T						
	04897611AA	1	B, U						
7									LEVER, Blend Air Door
	04897628AA	1	B, U						
	04897629AA	1	J, T						
8									DOOR, Fresh Air
	04864992	1	J, T						
	04864993	1	B, U						
9									ACTUATOR, Vacuum

CHEROKEE (XJ)

SERIES	LINE	BODY	ENGINE	TRANSMISSION
L = LOWLINE	B = JEEP - 2WD (RHD) U = JEEP - 4WD (RHD) T = LHD - (2WD) J = JEEP - - LHD (4WD)	72 = 2DR (101.4 WB) 74 = 4 DR (101.4 WB)	ENC = 2.5L 4 Cyl Turbo Diesel Engine EPE = Engine - 2.5L Power Tech I-4 Cyl. ERH = 4.0L Power Tech I-6 Engine ENO = Engines - ALL 4/5 CYL Turbo Diesel ERO = Engines - All 4.0L 6 Cyl Gas EPO = ENGINES - ALL 2.5L 4 CYL GAS	DCB = Transmission - 4-Speed Manual,T3340 DDQ = 5-Speed Manual Transmission DDX = 5-Speed HD Manual Transmission DGD = 3-Spd. Automatic 30RH Transmission DGK = 4-Spd. Automatic 42RE Transmission DGS = 4-Speed Automatic AW4 Transmission DGT = 4-Spd. Automatic 46RE Transmission DGW = TRANSMISSION - 4-SPD. AUTOMATIC,44RE DGX = 4-Speed Automatic Transmission DGY = No Description Available DGZ = Transmission- 4-Spd. Automatic,MT643 DBB = ALL MANUAL TRANSMISSIONS DGO = TRANSMISSIONS - ALL AUTOMATIC

AR = use ase required - = Non illustrated part

Hevac Unit
Figure 24-110



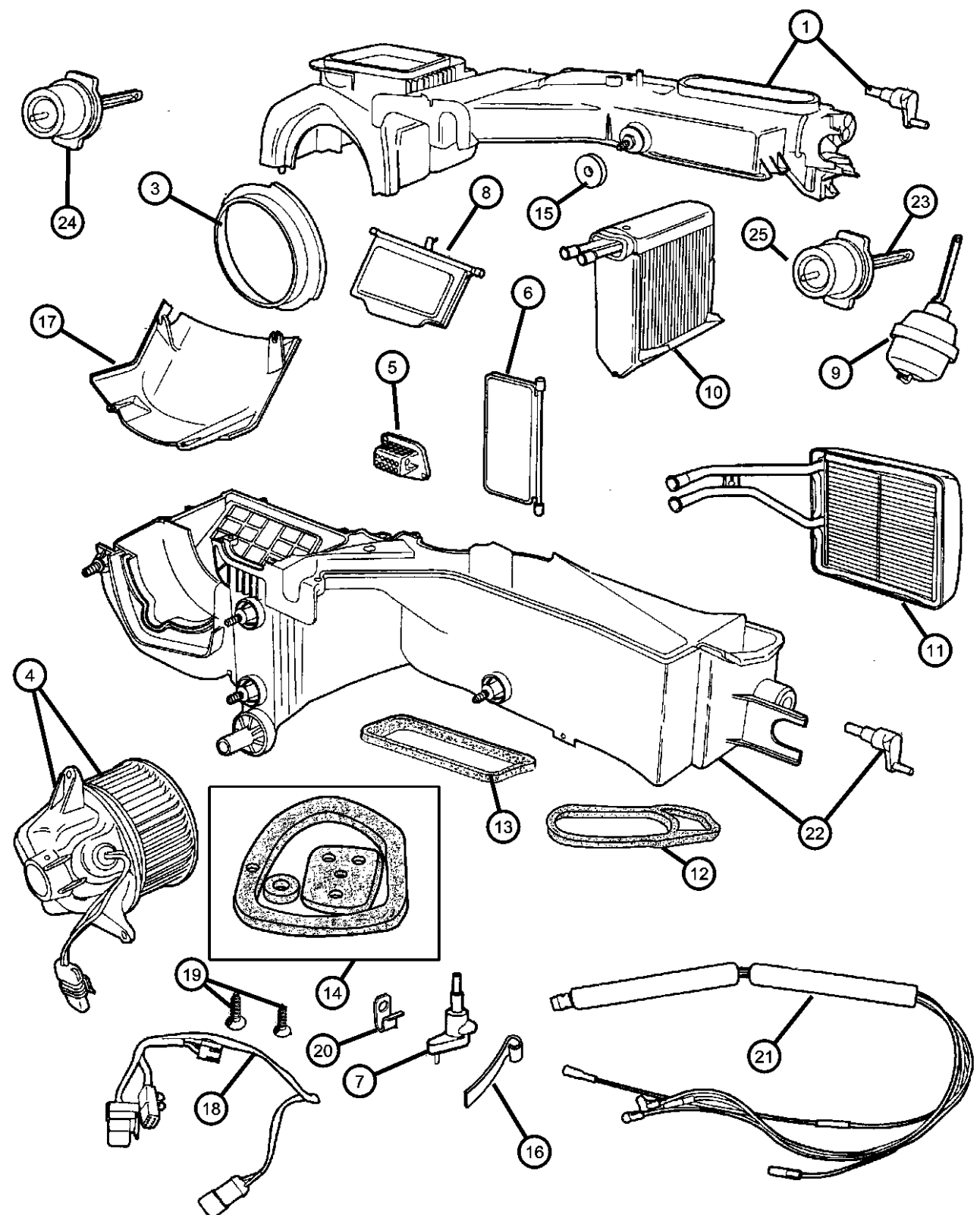
ITEM	PART NUMBER	QTY	LINE	SERIES	BODY	ENGINE	TRANS	TRIM	DESCRIPTION
	04864994	1	J, T						Defrost Door
		1	B, U						Defrost Door
10									EVAPORATOR KIT, A/C
	04864999	1	J, T						
	04874044	1	B, U						
11									CORE, Heater
	04874045	1	J, T						
	04874046	1	B, U						
12									SEAL, Demister
	04874065	1	B, U						
	04874063	1	J, T						
13									SEAL, Vent
	04874068	1	J, T						
		1	B, U						
14									SEAL KIT, A/C And Heater Unit
	04874069AB	1	J, T						with Air Conditioning
	04874070AB	1	B, U						with Air Conditioning
	04874071AB	1	J, T						without Air Conditioning
	04874072AB	1	B, U						without Air Conditioning
15	55005519	1							WASHER, Sealing
16									SPRING, A/C Heater Mode Door
	04874077	1	J, T						

CHEROKEE (XJ)

SERIES	LINE	BODY	ENGINE	TRANSMISSION
L = LOWLINE	B = JEEP - 2WD (RHD) U = JEEP - 4WD (RHD) T = LHD - (2WD) J = JEEP - - LHD (4WD)	72 = 2DR (101.4 WB) 74 = 4 DR (101.4 WB)	ENC = 2.5L 4 Cyl Turbo Diesel Engine EPE = Engine - 2.5L Power Tech I-4 Cyl. ERH = 4.0L Power Tech I-6 Engine ENO = Engines - ALL 4/5 CYL Turbo Diesel ERO = Engines - All 4.0L 6 Cyl Gas EPO = ENGINES - ALL 2.5L 4 CYL GAS	DCB = Transmission - 4-Speed Manual, T3340 DDQ = 5-Speed Manual Transmission DDX = 5-Speed HD Manual Transmission DGD = 3-Spd. Automatic 30RH Transmission DGK = 4-Spd. Automatic 42RE Transmission DGS = 4-Speed Automatic AW4 Transmission DGT = 4-Spd. Automatic 46RE Transmission DGW = TRANSMISSION - 4-SPD. AUTOMATIC, 44RE DGX = 4-Speed Automatic Transmission DGY = No Description Available DGZ = Transmission- 4-Spd. Automatic, MT643 DBB = ALL MANUAL TRANSMISSIONS DGO = TRANSMISSIONS - ALL AUTOMATIC

AR = use ase required - = Non illustrated part

Hevac Unit
Figure 24-110



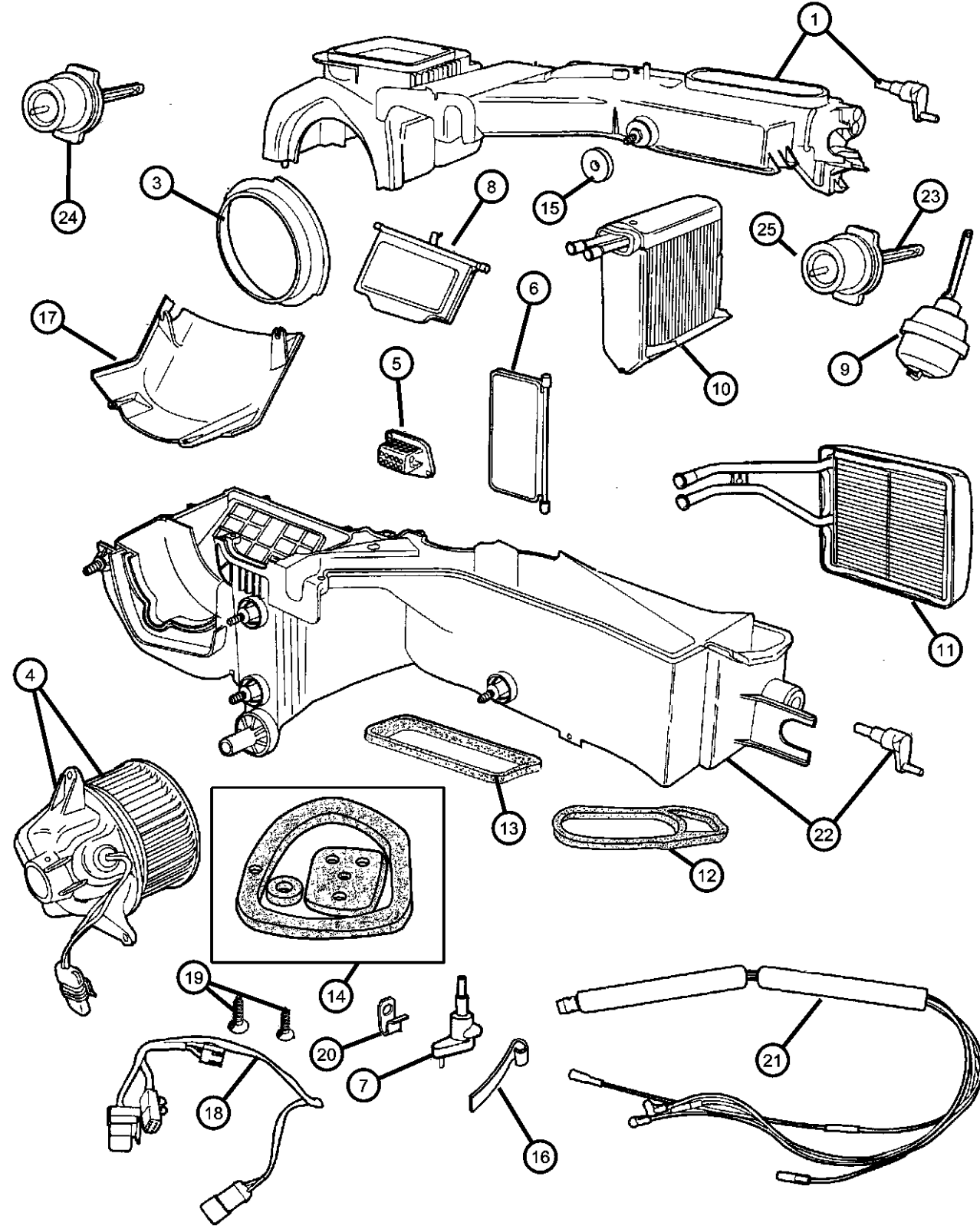
ITEM	PART NUMBER	QTY	LINE	SERIES	BODY	ENGINE	TRANS	TRIM	DESCRIPTION
17		1	B, U						COVER, Recirculating Valve
	04874078	1	J, T						
	04874079	1	B, U						
18									WIRING, Air Conditioning Module
	05013744AA	1	J, T						
		1	B, U						
19									SCREW, Hex Head, M4.8-1.59x19
	04734227	1	J, T						
		1	B, U						
20									CLIP, A/C Heater Housing
	04644388	1	J, T						
		1	B, U						
21									HARNES, Heater Vacuum
	04883888AB	1	J, T						
		1	B, U						
22									HOUSING, A/C Lower Up To 6-2-98
	04864947	1	J, T						
	04864949	1	B, U						
	05014859AA	1	J, T						After 6-2-98
23									ACTUATOR, Vacuum Blend Door
	04864995	1	J, T						

CHEROKEE (XJ)

SERIES	LINE	BODY	ENGINE	TRANSMISSION
L = LOWLINE	B = JEEP - 2WD (RHD) U = JEEP - 4WD (RHD) T = LHD - (2WD) J = JEEP - - LHD (4WD)	72 = 2DR (101.4 WB) 74 = 4 DR (101.4 WB)	ENC = 2.5L 4 Cyl Turbo Diesel Engine EPE = Engine - 2.5L Power Tech I-4 Cyl. ERH = 4.0L Power Tech I-6 Engine ENO = Engines - ALL 4/5 CYL Turbo Diesel ERO = Engines - All 4.0L 6 Cyl Gas EPO = ENGINES - ALL 2.5L 4 CYL GAS	DCB = Transmission - 4-Speed Manual, T3340 DDQ = 5-Speed Manual Transmission DDX = 5-Speed HD Manual Transmission DGD = 3-Spd. Automatic 30RH Transmission DGK = 4-Spd. Automatic 42RE Transmission DGS = 4-Speed Automatic AW4 Transmission DGT = 4-Spd. Automatic 46RE Transmission DGW = TRANSMISSION - 4-SPD. AUTOMATIC, 44RE DGX = 4-Speed Automatic Transmission DGY = No Description Available DGZ = Transmission- 4-Spd. Automatic, MT643 DBB = ALL MANUAL TRANSMISSIONS DGO = TRANSMISSIONS - ALL AUTOMATIC

AR = use ase required - = Non illustrated part

Hevac Unit
Figure 24-110



ITEM	PART NUMBER	QTY	LINE	SERIES	BODY	ENGINE	TRANS	TRIM	DESCRIPTION
24		1	B, U						Blend Door ACTUATOR, Vacuum
	04864996	1	J, T						Recirculating Door
25		1	B, U						Recirculating Door ACTUATOR, Blend Door, Electric
	05013741AA	1	J, T						
		1	B, U						

CHEROKEE (XJ)

SERIES LINE
 L = LOWLINE B = JEEP - 2WD (RHD)
 U = JEEP - 4WD (RHD)
 T = LHD - (2WD)
 J = JEEP - - LHD (4WD)

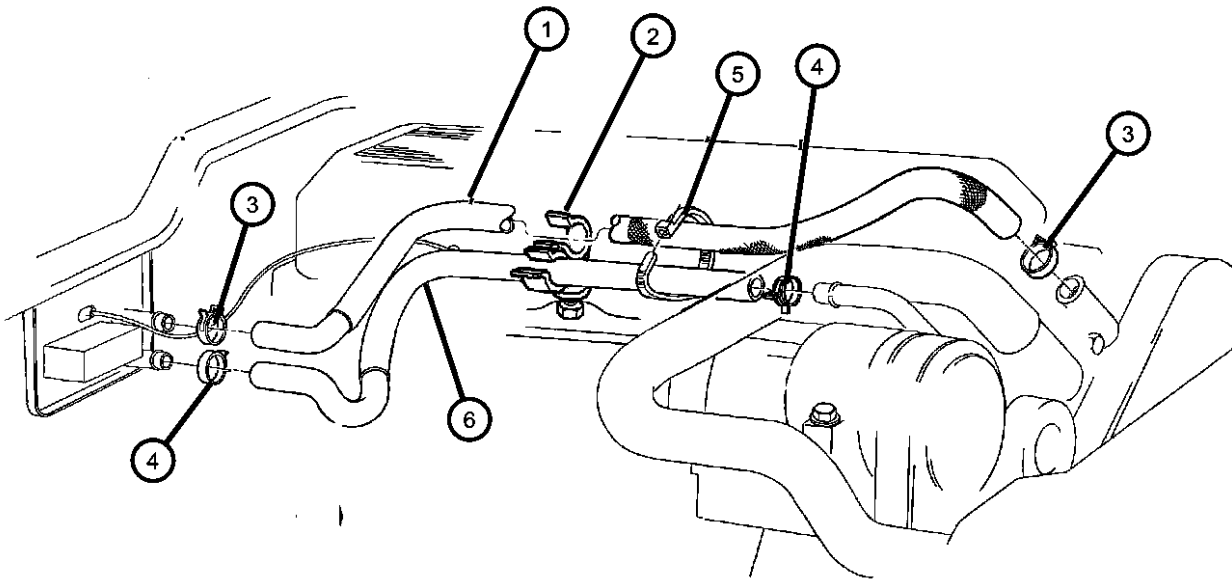
BODY
 72 = 2DR (101.4 WB)
 74 = 4 DR (101.4 WB)

ENGINE TRANSMISSION
 ENC = 2.5L 4 Cyl Turbo Diesel Engine
 EPE = Engine - 2.5L Power Tech I-4 Cyl.
 ERH = 4.0L Power Tech I-6 Engine
 ENO = Engines - ALL 4/5 CYL Turbo Diesel
 ERO = Engines - All 4.0L 6 Cyl Gas
 EPO = ENGINES - ALL 2.5L 4 CYL GAS
 DCB = Transmission - 4-Speed Manual,T3340
 DDQ = 5-Speed Manual Transmission
 DDX = 5-Speed HD Manual Transmission
 DGD = 3-Spd. Automatic 30RH Transmission
 DGK = 4-Spd. Automatic 42RE Transmission
 DGS = 4-Speed Automatic AW4 Transmission
 DGT = 4-Spd. Automatic 46RE Transmission
 DGW = TRANSMISSION - 4-SPD. AUTOMATIC,44RE
 DGX = 4-Speed Automatic Transmission
 DGY = No Description Available
 DGZ = Transmission- 4-Spd. Automatic,MT643
 DBB = ALL MANUAL TRANSMISSIONS
 DGO = TRANSMISSIONS - ALL AUTOMATIC

AR = use ase required - = Non illustrated part

Plumbing, Heater 2.5,4.0L Gas Engines LHD
Figure 24-210

ITEM	PART NUMBER	QTY	LINE	SERIES	BODY	ENGINE	TRANS	TRIM	DESCRIPTION
Note: Sales Code EP0 = 2.5L Gas Engine									
Note: Sales Code ER0 = 4.0L Engine									
1									HOSE, Heater Supply
	55036925	1	J, T			EP0			2.5L Engine
	55037326	1	J, T			ER0			4.0L Engine
2	55035933AB	1	J, T			EP0, ER0			BRACKET, Hose
3	06502018	1				EN0			CLAMP, Hose, M28.9 x 1.60
4	06502017	1				EP0, ER0			CLAMP, Heater Hose
5	04641780	2							STRAP, Tie
6									HOSE, Heater Return
	55036924	1	J, T			ER0			4.0L Engine
	55036926	1	J, T			EP0			2.5L Engine



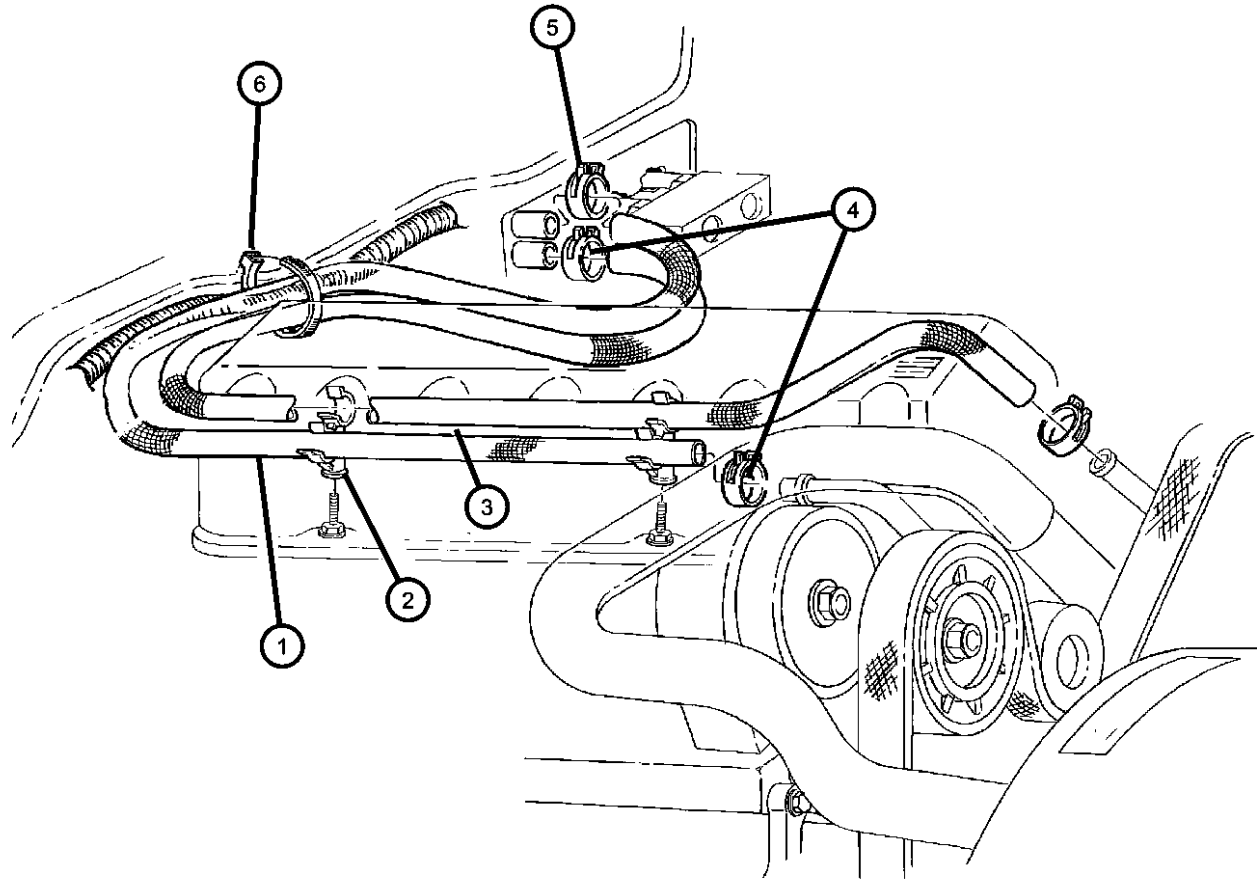
CHEROKEE (XJ)

SERIES	LINE	BODY	ENGINE	TRANSMISSION
L = LOWLINE	B = JEEP - 2WD (RHD) U = JEEP - 4WD (RHD) T = LHD - (2WD) J = JEEP - - LHD (4WD)	72 = 2DR (101.4 WB) 74 = 4 DR (101.4 WB)	ENC = 2.5L 4 Cyl Turbo Diesel Engine EPE = Engine - 2.5L Power Tech I-4 Cyl. ERH = 4.0L Power Tech I-6 Engine ENO = Engines - ALL 4/5 CYL Turbo Diesel ERO = Engines - All 4.0L 6 Cyl Gas EP0 = ENGINES - ALL 2.5L 4 CYL GAS	DCB = Transmission - 4-Speed Manual,T3340 DDQ = 5-Speed Manual Transmission DDX = 5-Speed HD Manual Transmission DGD = 3-Spd. Automatic 30RH Transmission DGK = 4-Spd. Automatic 42RE Transmission DGS = 4-Speed Automatic AW4 Transmission DGT = 4-Spd. Automatic 46RE Transmission DGW = TRANSMISSION - 4-SPD. AUTOMATIC,44RE DGX = 4-Speed Automatic Transmission DGY = No Description Available DGZ = Transmission- 4-Spd. Automatic,MT643 DBB = ALL MANUAL TRANSMISSIONS DGO = TRANSMISSIONS - ALL AUTOMATIC

AR = use ase required - = Non illustrated part

Plumbing, Heater 2.5,4.0L Gas Engines RHD
Figure 24-220

ITEM	PART NUMBER	QTY	LINE	SERIES	BODY	ENGINE	TRANS	TRIM	DESCRIPTION
Note: Sales Code EP0 = 2.5L Gas Engine									
Note: Sales Code ER0 = 4.0L Engine									
1									HOSE, Heater Return
	55037333	1	B, U			ER0			
	55037334	1	B, U			EP0			
2	55035933AB	2	B, U			EP0, ER0			BRACKET, Hose
3									HOSE, Heater Supply
	55037268	1	B, U			EP0			
	55037269	1	B, U			ER0			
4	06502017	1				EP0, ER0			CLAMP, Heater Hose
5	06502018	1				EP0, ER0			CLAMP, Hose, M28.9 x 1.60
6	04641780	1				EP0, ER0			STRAP, Tie



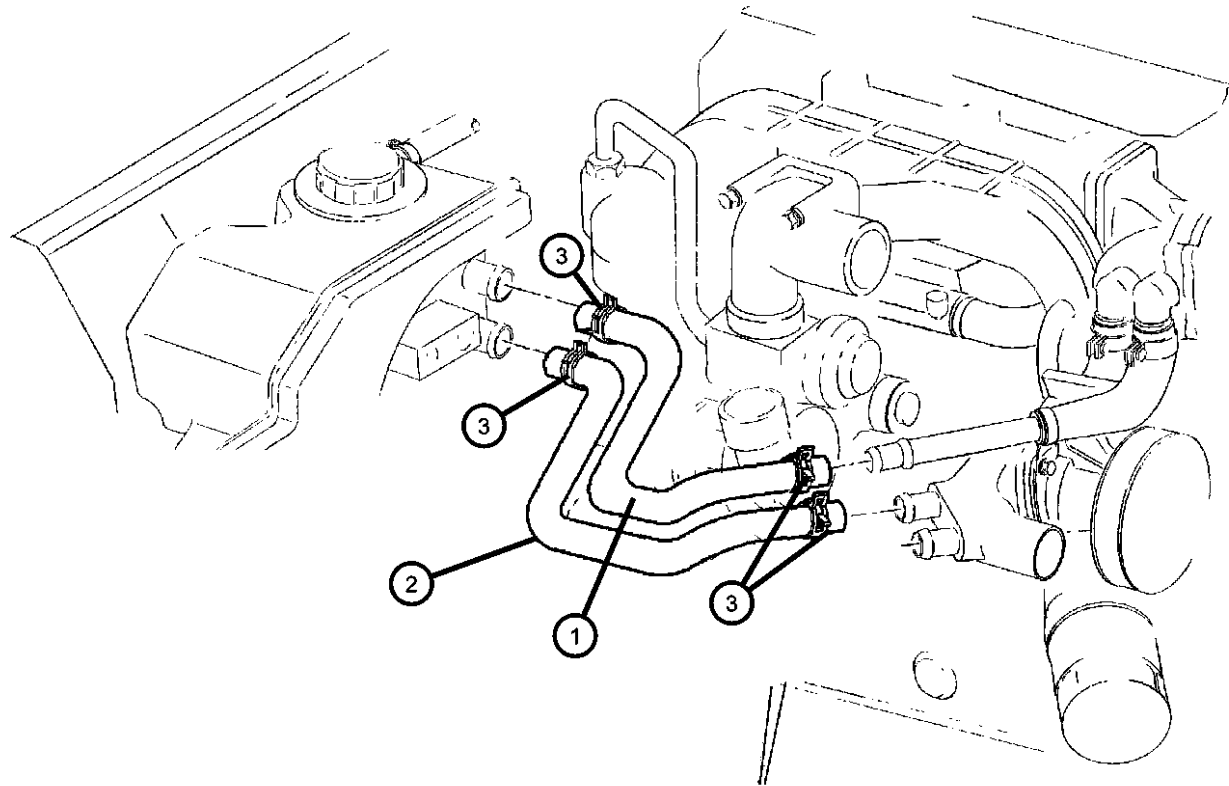
CHEROKEE (XJ)

SERIES	LINE	BODY	ENGINE	TRANSMISSION
L = LOWLINE	B = JEEP - 2WD (RHD) U = JEEP - 4WD (RHD) T = LHD - (2WD) J = JEEP - - LHD (4WD)	72 = 2DR (101.4 WB) 74 = 4 DR (101.4 WB)	ENC = 2.5L 4 Cyl Turbo Diesel Engine EPE = Engine - 2.5L Power Tech I-4 Cyl. ERH = 4.0L Power Tech I-6 Engine ENO = Engines - ALL 4/5 CYL Turbo Diesel ERO = Engines - All 4.0L 6 Cyl Gas EP0 = ENGINES - ALL 2.5L 4 CYL GAS	DCB = Transmission - 4-Speed Manual,T3340 DDQ = 5-Speed Manual Transmission DDX = 5-Speed HD Manual Transmission DGD = 3-Spd. Automatic 30RH Transmission DGK = 4-Spd. Automatic 42RE Transmission DGS = 4-Speed Automatic AW4 Transmission DGT = 4-Spd. Automatic 46RE Transmission DGW = TRANSMISSION - 4-SPD. AUTOMATIC,44RE DGX = 4-Speed Automatic Transmission DGY = No Description Available DGZ = Transmission- 4-Spd. Automatic,MT643 DBB = ALL MANUAL TRANSMISSIONS DGO = TRANSMISSIONS - ALL AUTOMATIC

AR = use ase required - = Non illustrated part

Plumbing, Heater 2.5L Diesel Engine LHD
Figure 24-230

ITEM	PART NUMBER	QTY	LINE	SERIES	BODY	ENGINE	TRANS	TRIM	DESCRIPTION
Note: Sales Code EN0 = 2.5L Diesel Engine									
1	55037301	1	J, T			EN0			HOSE, Heater Supply
2	55037319	1	J, T			EN0			HOSE, Heater Return
3	06502017	3	B, U			EN0			CLAMP, Heater Hose

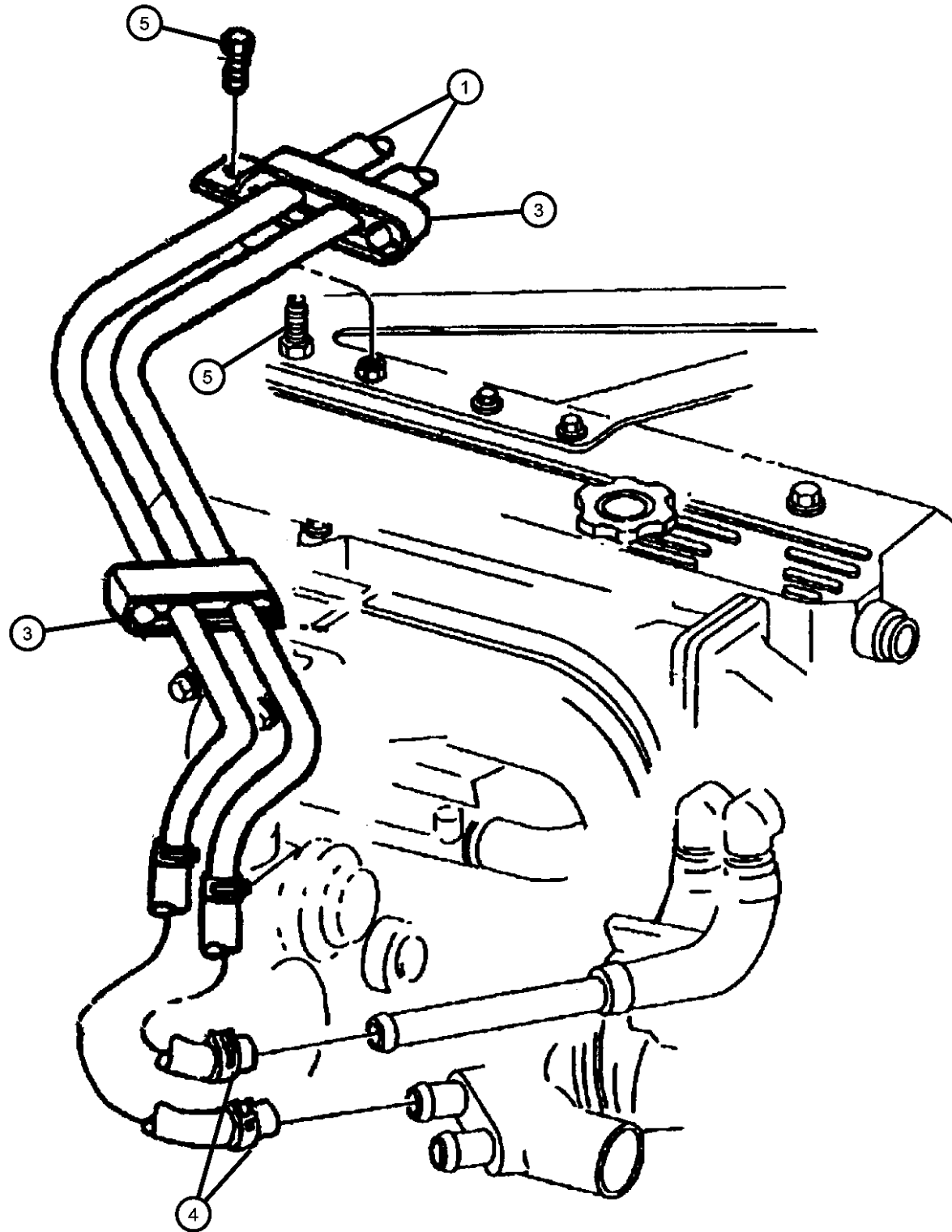


CHEROKEE (XJ)

SERIES	LINE	BODY	ENGINE	TRANSMISSION
L = LOWLINE	B = JEEP - 2WD (RHD) U = JEEP - 4WD (RHD) T = LHD - (2WD) J = JEEP - - LHD (4WD)	72 = 2DR (101.4 WB) 74 = 4 DR (101.4 WB)	ENC = 2.5L 4 Cyl Turbo Diesel Engine EPE = Engine - 2.5L Power Tech I-4 Cyl. ERH = 4.0L Power Tech I-6 Engine ENO = Engines - ALL 4/5 CYL Turbo Diesel ERO = Engines - All 4.0L 6 Cyl Gas EPO = ENGINES - ALL 2.5L 4 CYL GAS	DCB = Transmission - 4-Speed Manual,T3340 DDQ = 5-Speed Manual Transmission DDX = 5-Speed HD Manual Transmission DGD = 3-Spd. Automatic 30RH Transmission DGK = 4-Spd. Automatic 42RE Transmission DGS = 4-Speed Automatic AW4 Transmission DGT = 4-Spd. Automatic 46RE Transmission DGW = TRANSMISSION - 4-SPD. AUTOMATIC,44RE DGX = 4-Speed Automatic Transmission DGY = No Description Available DGZ = Transmission- 4-Spd. Automatic,MT643 DBB = ALL MANUAL TRANSMISSIONS DGO = TRANSMISSIONS - ALL AUTOMATIC

AR = use ase required - = Non illustrated part

Plumbing, Heater 2.5L Diesel Engine RHD
Figure 24-240



ITEM	PART NUMBER	QTY	LINE	SERIES	BODY	ENGINE	TRANS	TRIM	DESCRIPTION
Note: Sales Code EN0 = 2.5L Diesel Engine									
1	55037276	1	B, U			EN0			HOSE, Heater Return
-2	55037277	1	B, U			EN0			HOSE, Heater Supply
3	55036832	2	B, U			EN0			CLIP, Heater Hose
4	06502017	3	B, U			EN0			CLAMP, Heater Hose
5	06502017	3							SCREW, (NOT SERVICED)

CHEROKEE (XJ)

SERIES LINE
L = LOWLINE B = JEEP - 2WD (RHD)
U = JEEP - 4WD (RHD)
T = LHD - (2WD)
J = JEEP - - LHD (4WD)

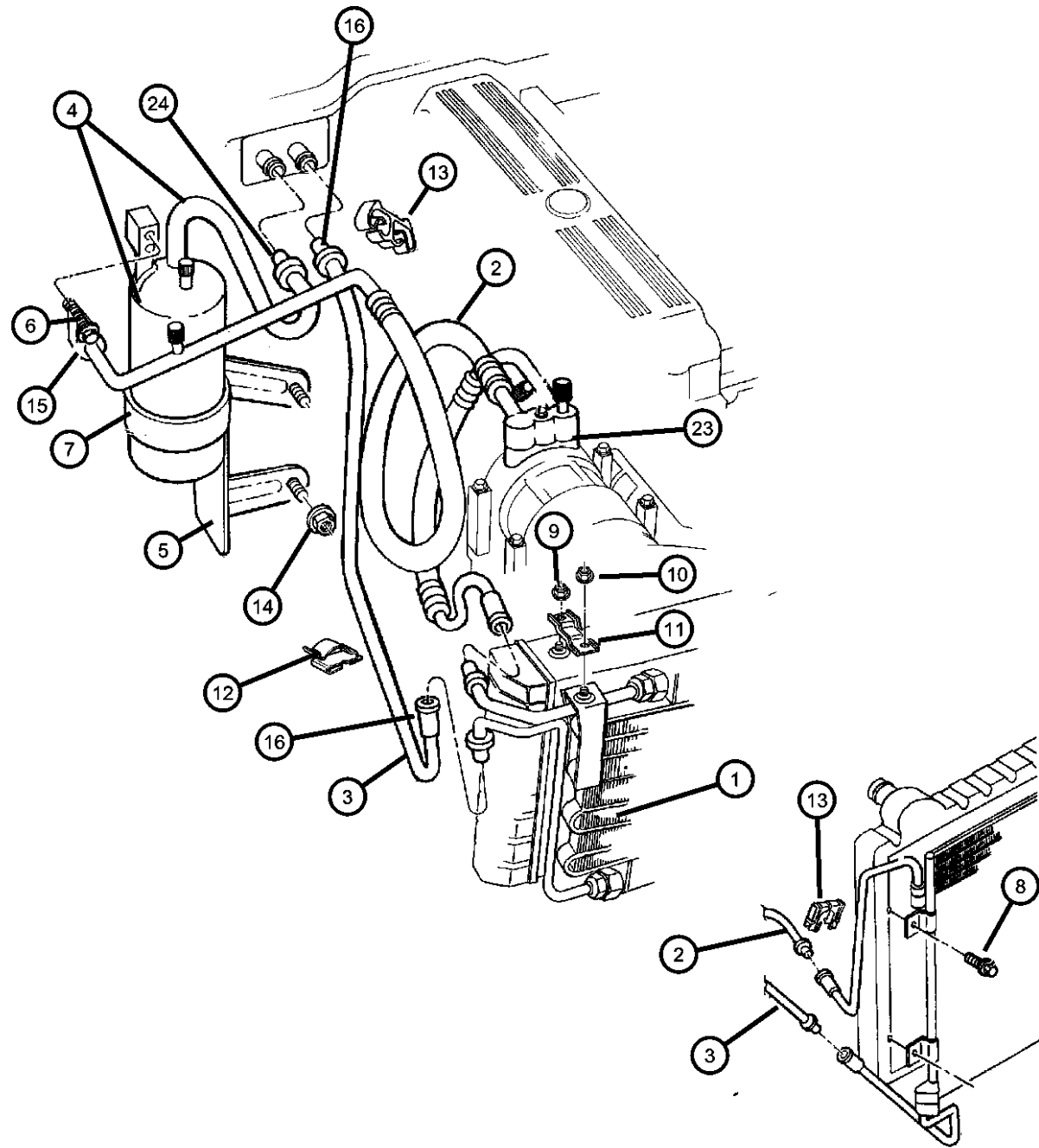
BODY
72 = 2DR (101.4 WB)
74 = 4 DR (101.4 WB)

ENGINE TRANSMISSION
ENC = 2.5L 4 Cyl Turbo Diesel Engine
EPE = Engine - 2.5L Power Tech I-4 Cyl.
ERH = 4.0L Power Tech I-6 Engine
ENO = Engines - ALL 4/5 CYL Turbo Diesel
ERO = Engines - All 4.0L 6 Cyl Gas
EPO = ENGINES - ALL 2.5L 4 CYL GAS
DCB = Transmission - 4-Speed Manual, T3340
DDQ = 5-Speed Manual Transmission
DDX = 5-Speed HD Manual Transmission
DGD = 3-Spd. Automatic 30RH Transmission
DGK = 4-Spd. Automatic 42RE Transmission
DGS = 4-Speed Automatic AW4 Transmission
DGT = 4-Spd. Automatic 46RE Transmission
DGW = TRANSMISSION - 4-SPD. AUTOMATIC, 44RE
DGX = 4-Speed Automatic Transmission
DGY = No Description Available
DGZ = Transmission- 4-Spd. Automatic, MT643
DBB = ALL MANUAL TRANSMISSIONS
DGO = TRANSMISSIONS - ALL AUTOMATIC

AR = use ase required - = Non illustrated part

1998 XJ

Plumbing, Air Conditioning 2.5,4.0L Gas Engines LHD
Figure 24-250



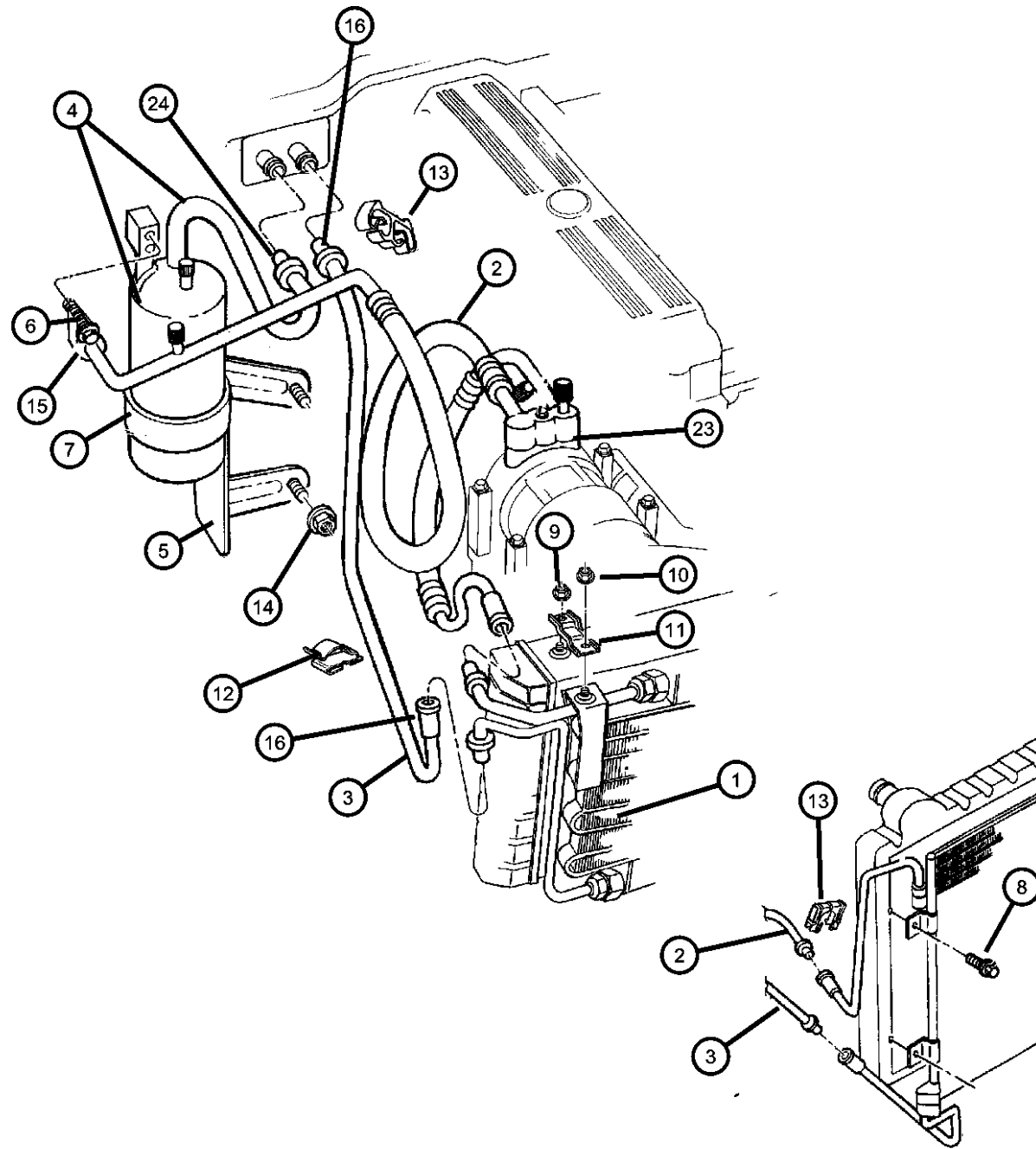
ITEM	PART NUMBER	QTY	LINE	SERIES	BODY	ENGINE	TRANS	TRIM	DESCRIPTION
Note: Sales Code EP0 = 2.5L Gas Engine Note: Sales Code ER0 = 4.0L Engine									
1									CONDENSER, A/C
	55036595AB	1	J, T			EP0, ER0			
	55037434AA	1	B, U			EP0, ER0			
2									LINE, A/C Suction & Discharge
	55036635AC	1	J, T			ER0			
	55037492AA	1	J, T			EP0			
3									LINE, A/C Liquid
	55036632AC	1	J, T			ER0			
	55037218AB	1	B, U			ER0			
	55037495AA	1	B, U			EP0			Evaporator Out
	55037496AA	1	B, U			EP0			Evaporator In
	55037554AA	1	J, T			EP0			
4									ACCUMULATOR, Suction Line
	55036630AB	1	J, T			EP0, ER0			
	55036649AB	1	B, U			EN0, ER0			
	55037479AA	1	B, U			EP0			
5									BRACKET, Accumulator
	55036619	1	J, T			EP0, ER0			
	55037338	1	B, U			EP0, ER0			
6	34201756	2							BOLT, Hex Flange Head, M8x1.25x30
7	55037431AB	1	J, T			EP0, ER0			BAND, Accumulator Retaining

CHEROKEE (XJ)

SERIES	LINE	BODY	ENGINE	TRANSMISSION
L = LOWLINE	B = JEEP - 2WD (RHD) U = JEEP - 4WD (RHD) T = LHD - (2WD) J = JEEP - - LHD (4WD)	72 = 2DR (101.4 WB) 74 = 4 DR (101.4 WB)	ENC = 2.5L 4 Cyl Turbo Diesel Engine EPE = Engine - 2.5L Power Tech I-4 Cyl. ERH = 4.0L Power Tech I-6 Engine ENO = Engines - ALL 4/5 CYL Turbo Diesel ERO = Engines - All 4.0L 6 Cyl Gas EP0 = ENGINES - ALL 2.5L 4 CYL GAS	DCB = Transmission - 4-Speed Manual,T3340 DDQ = 5-Speed Manual Transmission DDX = 5-Speed HD Manual Transmission DGD = 3-Spd. Automatic 30RH Transmission DGK = 4-Spd. Automatic 42RE Transmission DGS = 4-Speed Automatic AW4 Transmission DGT = 4-Spd. Automatic 46RE Transmission DGW = TRANSMISSION - 4-SPD. AUTOMATIC,44RE DGX = 4-Speed Automatic Transmission DGY = No Description Available DGZ = Transmission- 4-Spd. Automatic,MT643 DBB = ALL MANUAL TRANSMISSIONS DGO = TRANSMISSIONS - ALL AUTOMATIC

AR = use ase required - = Non illustrated part

Plumbing, Air Conditioning 2.5,4.0L Gas Engines LHD
Figure 24-250



ITEM	PART NUMBER	QTY	LINE	SERIES	BODY	ENGINE	TRANS	TRIM	DESCRIPTION
8	06100584	4				EP0			BOLT AND CONED WASHER, Hex Head, M8x30x20
9	06503226	4							NUT, Hex Flange, M5x.8
10	06100814	2				EN0, ERO			NUT, Hex, M6
11	56002231	2				ER0			BRACKET, Radiator to Condenser
12									CLIP, A/C Liquid Line
	05003560AA	1	B, U			EP0			
	55037289	1				ER0			
13									CLIP, A/C Quick Disconnect
	04596152	2				EP0			Suction Liquid Line
	04596153	1							Discharge Line
14	06032988	2				EP0, ERO			SCREW
15									O RING, A/C Suction Line
	04740401	1	J, T			EP0, ERO			5/8 Green
		1	B, U			EN0, ERO			5/8 Green
		1	B, U			EP0			5/8 Green
16									O RING, A/C Liquid Line
	04741705	1	B, U			EP0			Green
		1	J, T			EP0			Green
		1	J, T			ER0			Green
-17									SWITCH, A/C High Pressure Cut Off
	04897617AA	1	J, T			ER0			

CHEROKEE (XJ)

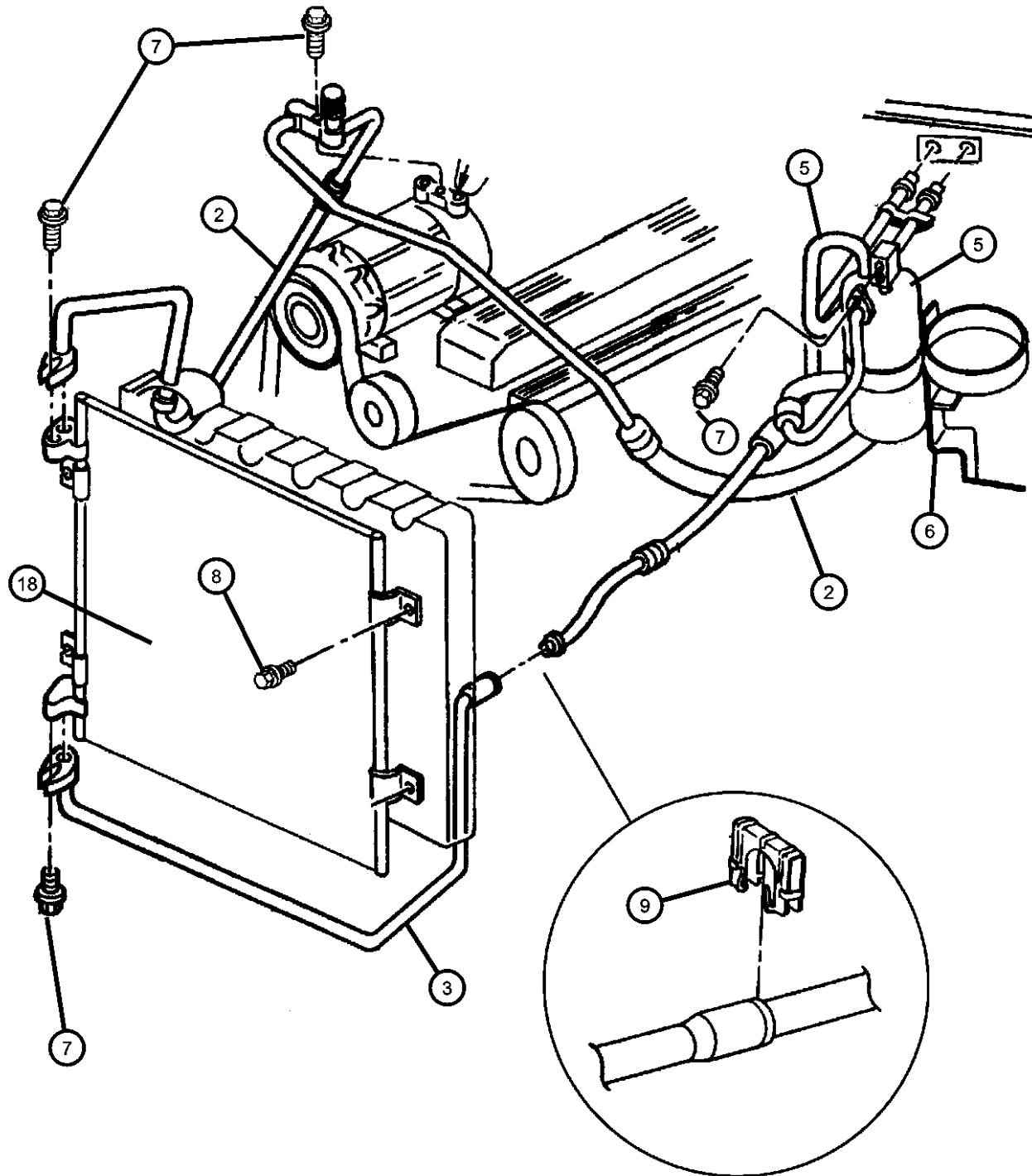
SERIES LINE
 L = LOWLINE B = JEEP - 2WD (RHD)
 U = JEEP - 4WD (RHD)
 T = LHD - (2WD)
 J = JEEP - - LHD (4WD)

BODY
 72 = 2DR (101.4 WB)
 74 = 4 DR (101.4 WB)

ENGINE TRANSMISSION
 ENC = 2.5L 4 Cyl Turbo Diesel Engine
 EPE = Engine - 2.5L Power Tech I-4 Cyl.
 ERH = 4.0L Power Tech I-6 Engine
 ENO = Engines - ALL 4/5 CYL Turbo Diesel
 ERO = Engines - All 4.0L 6 Cyl Gas
 EP0 = ENGINES - ALL 2.5L 4 CYL GAS
 DCB = Transmission - 4-Speed Manual, T3340
 DDQ = 5-Speed Manual Transmission
 DDX = 5-Speed HD Manual Transmission
 DGD = 3-Spd. Automatic 30RH Transmission
 DGK = 4-Spd. Automatic 42RE Transmission
 DGS = 4-Speed Automatic AW4 Transmission
 DGT = 4-Spd. Automatic 46RE Transmission
 DGW = TRANSMISSION - 4-SPD. AUTOMATIC, 44RE
 DGX = 4-Speed Automatic Transmission
 DGY = No Description Available
 DGZ = Transmission- 4-Spd. Automatic, MT643
 DBB = ALL MANUAL TRANSMISSIONS
 DGO = TRANSMISSIONS - ALL AUTOMATIC

AR = use ase required - = Non illustrated part

Plumbing, Air Conditioning 2.5L Gas Engine RHD
Figure 24-260



ITEM	PART NUMBER	QTY	LINE	SERIES	BODY	ENGINE	TRANS	TRIM	DESCRIPTION
Note: Sales Code EP0 = 2.5L Gas Engine									
-1	55036232	1				EP0			HOSE, A/C Discharge
2	55037493AA	1	B, U			EP0			LINE, A/C Suction & Discharge
3									LINE, A/C Liquid
	55037495AA	1	B, U			EP0			Evaporator Inlet
	55037496AA	1	B, U			EP0			Evaporator Outlet
-4	55037220	1	B, U			EP0			BRACKET, A/C Line
5	55037479AA	1	B, U			EP0			ACCUMULATOR, Suction Line
6	55036620AC	1	B, U						BRACKET, Accumulator
7	11502628	1							BOLT, Hex Flange Head, M8x1.25x30
8	06100584	4				EP0			BOLT AND CONED WASHER, Hex Head, M8x30x20
9									CLIP, A/C Quick Disconnect
	04596152	3				EN0			Discharge Line
	04596153	1							Suction Liquid Line
-10	04897617AA	1	B, U			EP0			SWITCH, A/C High Pressure Cut Off
-11	04740401	1	B, U			EP0			O RING, A/C Suction Line
-12	04882334	1	B, U			EP0			VALVE, A/C Discharge Line Check
-13	04882335	1	B, U			EP0			CAP, A/C Check Valve
-14	04761737	1	B, U			EP0			O RING, A/C Suction Line, Stat O Seal, Compressor
-15	04762788	1	B, U			EP0			VALVE CORE, Service Port
-16	04728856	1	B, U			EP0			SPRING, Quick Disconnect

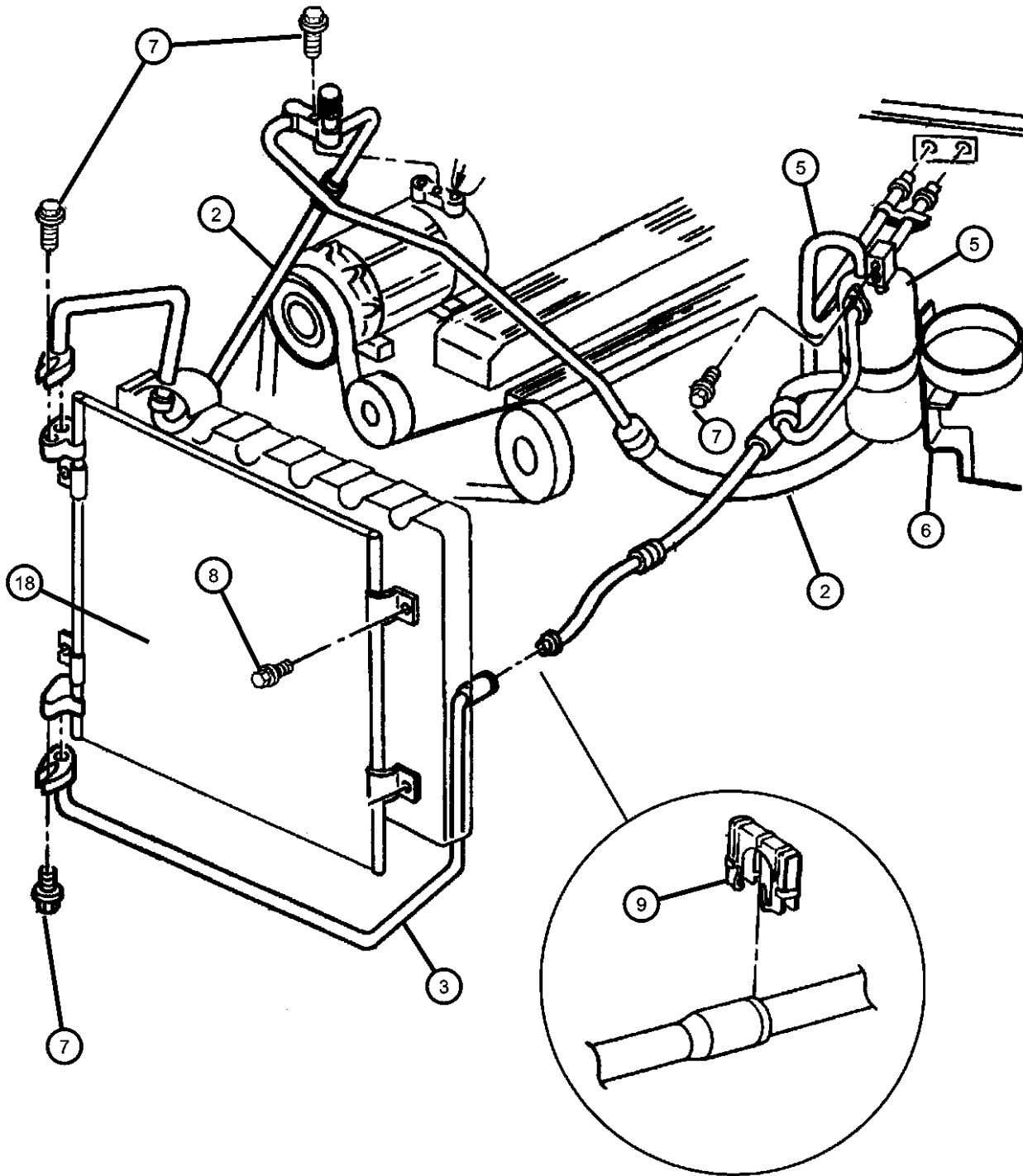
CHEROKEE (XJ)		BODY		ENGINE		TRANSMISSION	
SERIES	LINE	72 = 2DR (101.4 WB)		ENC = 2.5L 4 Cyl Turbo Diesel Engine	DCB = Transmission - 4-Speed Manual, T3340		
L = LOWLINE	B = JEEP - 2WD (RHD)	74 = 4 DR (101.4 WB)		EPE = Engine - 2.5L Power Tech I-4 Cyl.	DDQ = 5-Speed Manual Transmission		
	U = JEEP - 4WD (RHD)			ERH = 4.0L Power Tech I-6 Engine	DDX = 5-Speed HD Manual Transmission		
	T = LHD - (2WD)			ENO = Engines - ALL 4/5 CYL Turbo Diesel	DGD = 3-Spd. Automatic 30RH Transmission		
	J = JEEP - - LHD (4WD)			ERO = Engines - All 4.0L 6 Cyl Gas	DGK = 4-Spd. Automatic 42RE Transmission		
				EP0 = ENGINES - ALL 2.5L 4 CYL GAS	DGS = 4-Speed Automatic AW4 Transmission		
					DGT = 4-Spd. Automatic 46RE Transmission		
					DGW = TRANSMISSION - 4-SPD. AUTOMATIC, 44RE		
					DGX = 4-Speed Automatic Transmission		
					DGY = No Description Available		
					DGZ = Transmission- 4-Spd. Automatic, MT643		
					DBB = ALL MANUAL TRANSMISSIONS		
					DG0 = TRANSMISSIONS - ALL AUTOMATIC		

AR = use ase required - = Non illustrated part

Plumbing, Air Conditioning 2.5L Gas Engine RHD
Figure 24-260

ITEM	PART NUMBER	QTY	LINE	SERIES	BODY	ENGINE	TRANS	TRIM	DESCRIPTION
------	-------------	-----	------	--------	------	--------	-------	------	-------------

-17	04741705	1	B, U			EP0			O RING, A/C Liquid Line
18	55036595AD	1	J, T			EP0, ERO			CONDENSER, A/C



CHEROKEE (XJ)

SERIES	LINE
L = LOWLINE	B = JEEP - 2WD (RHD) U = JEEP - 4WD (RHD) T = LHD - (2WD) J = JEEP - - LHD (4WD)

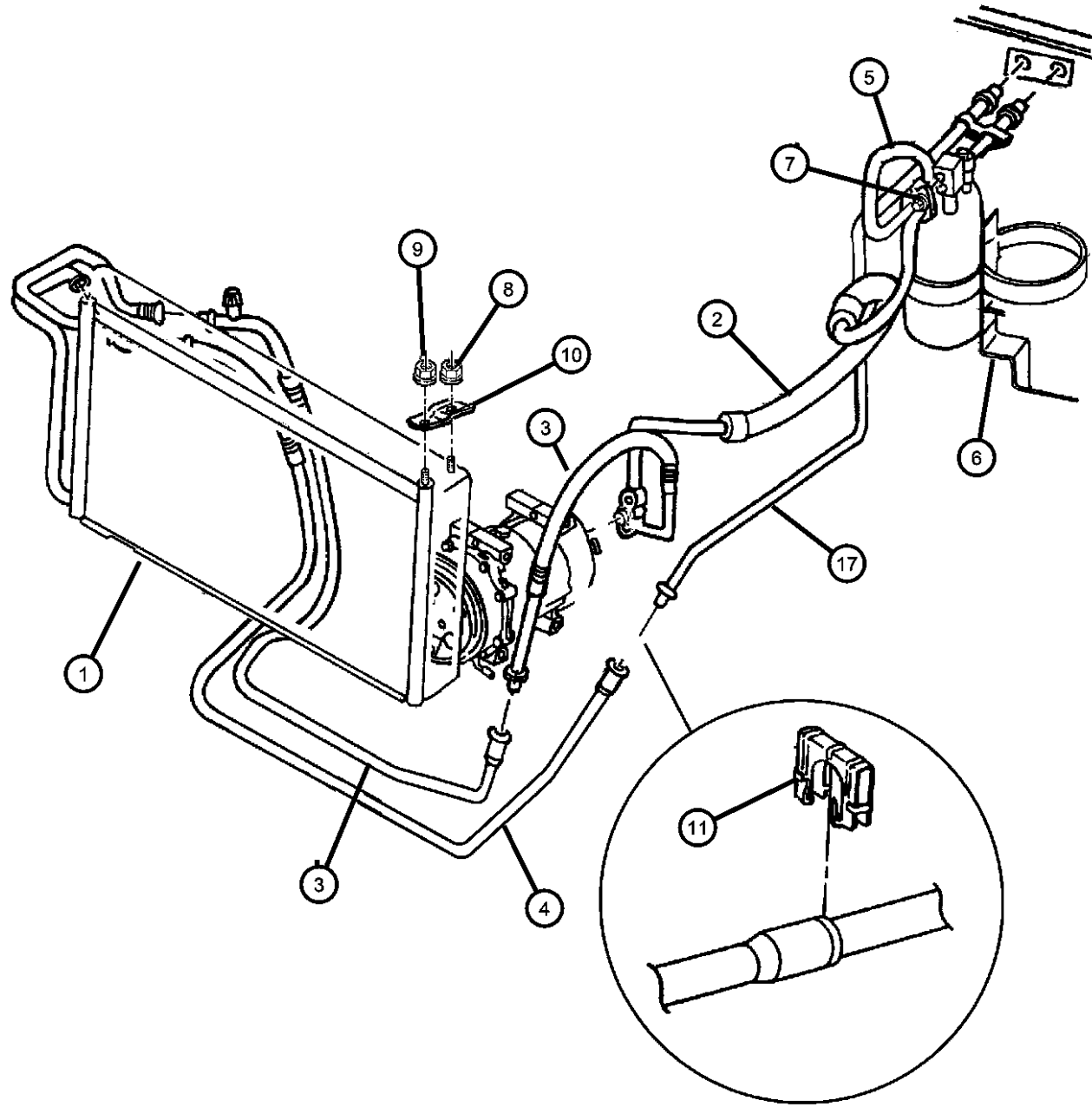
BODY
72 = 2DR (101.4 WB) 74 = 4 DR (101.4 WB)

ENGINE	TRANSMISSION
ENC = 2.5L 4 Cyl Turbo Diesel Engine	DCB = Transmission - 4-Speed Manual, T3340
EPE = Engine - 2.5L Power Tech I-4 Cyl.	DDQ = 5-Speed Manual Transmission
ERH = 4.0L Power Tech I-6 Engine	DDX = 5-Speed HD Manual Transmission
ENO = Engines - ALL 4/5 CYL Turbo Diesel	DGD = 3-Spd. Automatic 30RH Transmission
ERO = Engines - All 4.0L 6 Cyl Gas	DGK = 4-Spd. Automatic 42RE Transmission
EP0 = ENGINES - ALL 2.5L 4 CYL GAS	DGS = 4-Speed Automatic AW4 Transmission
	DGT = 4-Spd. Automatic 46RE Transmission
	DGW = TRANSMISSION - 4-SPD. AUTOMATIC, 44RE
	DGX = 4-Speed Automatic Transmission
	DGY = No Description Available
	DGZ = Transmission- 4-Spd. Automatic, MT643
	DBB = ALL MANUAL TRANSMISSIONS
	DG0 = TRANSMISSIONS - ALL AUTOMATIC

AR = use ase required - = Non illustrated part

1998 XJ

Plumbing, Air Conditioning 4.0L Engine RHD
Figure 24-270



ITEM	PART NUMBER	QTY	LINE	SERIES	BODY	ENGINE	TRANS	TRIM	DESCRIPTION
Note: Sales Code ER0 = 4.0L Engine									
1	55037434AA	1	B, U			EP0, ER0			CONDENSER, A/C
2	55036638	1	B, U			ER0			LINE, A/C Suction & Discharge
3	55037446AB	1	B, U			ER0			LINE, A/C Discharge
4	55036633	1	B, U			ER0			LINE, A/C Liquid
5	55036649AB	1	B, U			EN0, ER0			ACCUMULATOR, Suction Line
6	55036620AB	1	B, U						BRACKET, Accumulator
7	11502628	1							BOLT, Hex Flange Head, M8x1.25x30
8	11502722	2				EN0, ER0			NUT, Hex Flange, M5x.8
9	06100814	2				EN0, ER0			NUT, Hex, M6
10	56002231	2				ER0			BRACKET, Radiator to Condenser
11									CLIP, A/C Quick Disconnect
	04596152	4	B, U			ER0			Discharge Line
	04596153	1							Suction Liquid Line
-12	04897617AA	1	B, U			ER0			SWITCH, A/C High Pressure Cut Off
-13	04740401	1	B, U			EN0, ER0			O RING, A/C Suction Line
-14	04723029	1	B, U						VALVE, A/C Discharge Line Check
-15	05264642	1	B, U			ER0			CAP, A/C Check Valve
-16	04762788	1	B, U			ER0			VALVE CORE, Service Port
17	55036632AC	1	J, T			ER0			LINE, A/C Liquid

CHEROKEE (XJ)

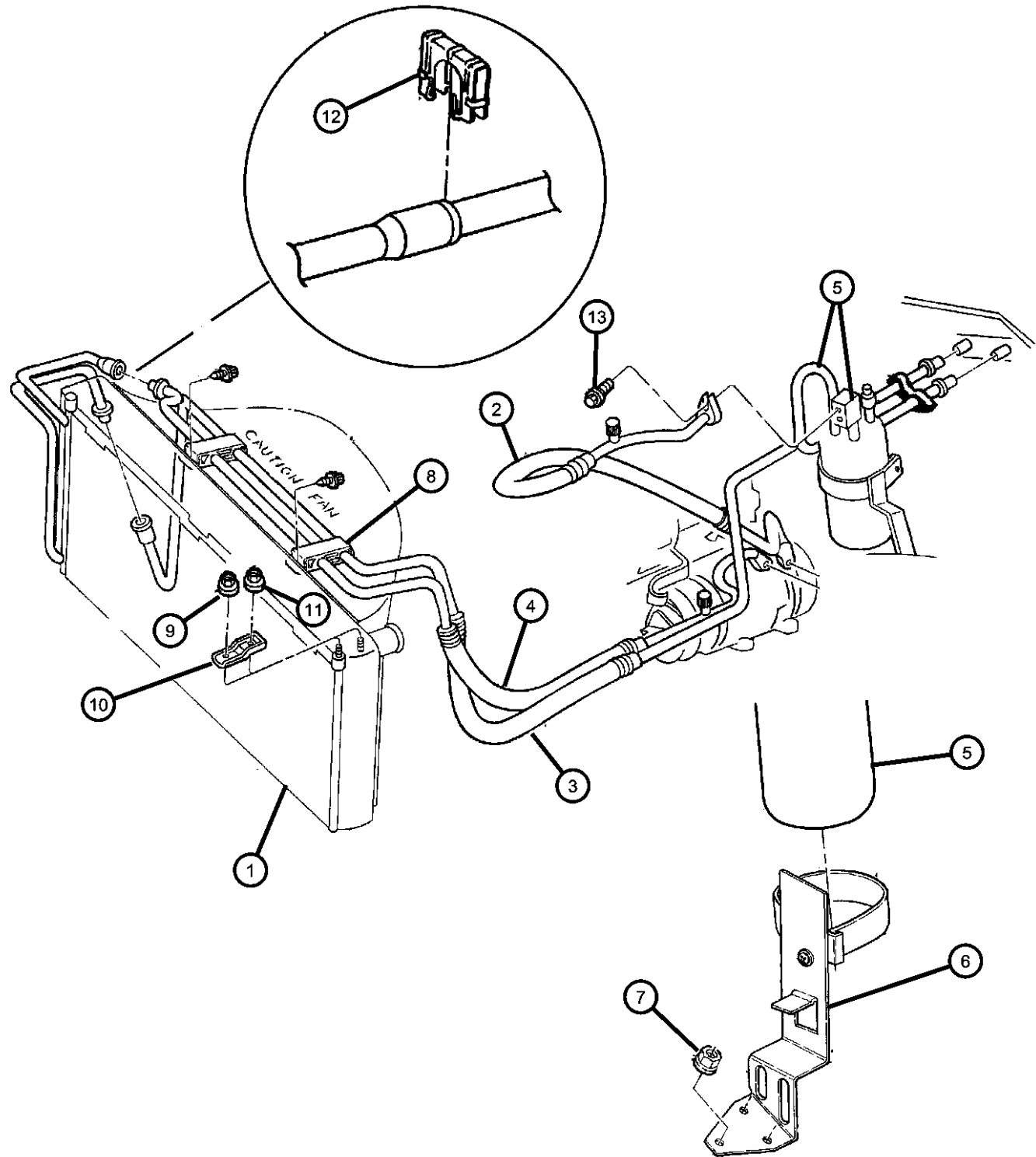
SERIES LINE
L = LOWLINE B = JEEP - 2WD (RHD)
 U = JEEP - 4WD (RHD)
 T = LHD - (2WD)
 J = JEEP - - LHD (4WD)

BODY
72 = 2DR (101.4 WB)
74 = 4 DR (101.4 WB)

ENGINE TRANSMISSION
ENC = 2.5L 4 Cyl Turbo Diesel Engine
EPE = Engine - 2.5L Power Tech I-4 Cyl.
ERH = 4.0L Power Tech I-6 Engine
ENO = Engines - ALL 4/5 CYL Turbo Diesel
ERO = Engines - All 4.0L 6 Cyl Gas
EP0 = ENGINES - ALL 2.5L 4 CYL GAS
DCB = Transmission - 4-Speed Manual, T3340
DDQ = 5-Speed Manual Transmission
DDX = 5-Speed HD Manual Transmission
DGD = 3-Spd. Automatic 30RH Transmission
DGK = 4-Spd. Automatic 42RE Transmission
DGS = 4-Speed Automatic AW4 Transmission
DGT = 4-Spd. Automatic 46RE Transmission
DGW = TRANSMISSION - 4-SPD. AUTOMATIC, 44RE
DGX = 4-Speed Automatic Transmission
DGY = No Description Available
DGZ = Transmission- 4-Spd. Automatic, MT643
DBB = ALL MANUAL TRANSMISSIONS
DGO = TRANSMISSIONS - ALL AUTOMATIC

AR = use ase required - = Non illustrated part

Plumbing, Air Conditioning 2.5L Diesel Engine RHD
Figure 24-290



ITEM	PART NUMBER	QTY	LINE	SERIES	BODY	ENGINE	TRANS	TRIM	DESCRIPTION
------	-------------	-----	------	--------	------	--------	-------	------	-------------

Note: Sales Code EN0 = 2.5L Diesel Engine

1	55036599AB	1				EN0			CONDENSER, A/C
2	55036653AB	1	B, U			EN0			LINE, A/C Suction
3	55037494AA	1	B, U			EN0			LINE, A/C Liquid
4	55037497AA	1	B, U			EN0			LINE, A/C Discharge
5	55036649AB	1	B, U			EN0, ERO			ACCUMULATOR, Suction Line
6	55036647	1	B, U			EN0			BRACKET, Accumulator
7	06033560	3	B, U						NUT AND WASHER, Hex Nut-Coned Washer, .25-20 CLIP, Discharge Line
8									
	55037344	2	B			EN0			
		2	B, U			EN0			
9	06100814	2				EN0, ERO			NUT, Hex, M6
10	56002231	2				ER0			BRACKET, Radiator to Condenser
11	11502722	2				ER0			NUT, Hex Flange, M5x.8
12									CLIP, A/C Quick Disconnect
	04596152	4	B, U			ER0			Discharge Line
	04596153	1							Suction Liquid Line
13	11502628	1							BOLT, Hex Flange Head, M8x1.25x30
-14	04740401	1	B, U			EN0, ERO			O RING, A/C Suction Line
-15	04882334	1	B, U			EN0			VALVE, A/C Discharge Line Check
-16	04882335	1	B, U			EN0			CAP, A/C Check Valve
-17	04762788	1	B, U			EN0			VALVE CORE, Service Port

CHEROKEE (XJ)

SERIES	LINE	BODY	ENGINE	TRANSMISSION
L = LOWLINE	B = JEEP - 2WD (RHD) U = JEEP - 4WD (RHD) T = LHD - (2WD) J = JEEP - - LHD (4WD)	72 = 2DR (101.4 WB) 74 = 4 DR (101.4 WB)	ENC = 2.5L 4 Cyl Turbo Diesel Engine EPE = Engine - 2.5L Power Tech I-4 Cyl. ERH = 4.0L Power Tech I-6 Engine ENO = Engines - ALL 4/5 CYL Turbo Diesel ERO = Engines - All 4.0L 6 Cyl Gas EPO = ENGINES - ALL 2.5L 4 CYL GAS	DCB = Transmission - 4-Speed Manual, T3340 DDQ = 5-Speed Manual Transmission DDX = 5-Speed HD Manual Transmission DGD = 3-Spd. Automatic 30RH Transmission DGK = 4-Spd. Automatic 42RE Transmission DGS = 4-Speed Automatic AW4 Transmission DGT = 4-Spd. Automatic 46RE Transmission DGW = TRANSMISSION - 4-SPD. AUTOMATIC, 44RE DGX = 4-Speed Automatic Transmission DGY = No Description Available DGZ = Transmission- 4-Spd. Automatic, MT643 DBB = ALL MANUAL TRANSMISSIONS DGO = TRANSMISSIONS - ALL AUTOMATIC

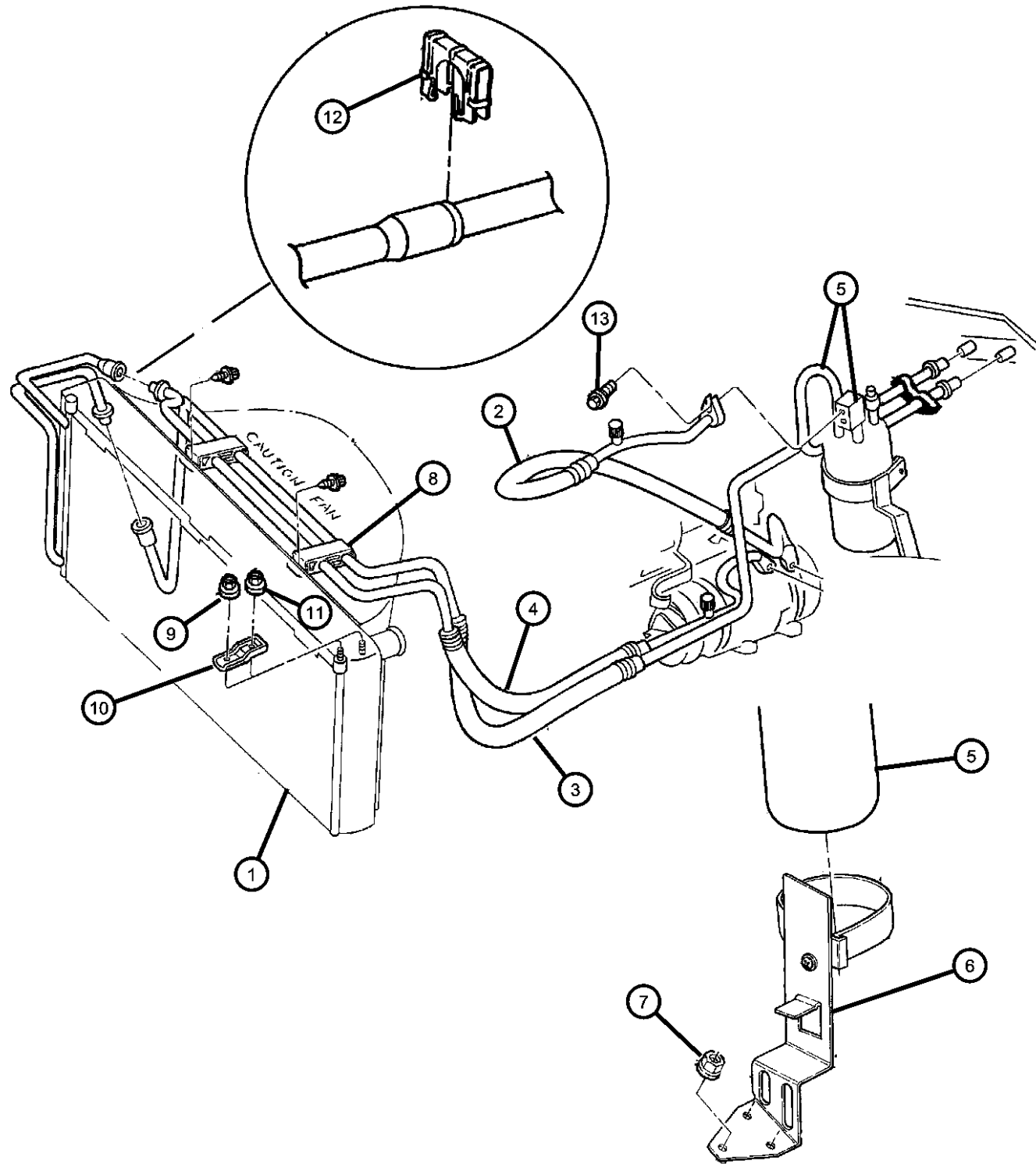
AR = use ase required - = Non illustrated part

1998 XJ

Plumbing, Air Conditioning 2.5L Diesel Engine RHD
Figure 24-290

ITEM	PART NUMBER	QTY	LINE	SERIES	BODY	ENGINE	TRANS	TRIM	DESCRIPTION
------	-------------	-----	------	--------	------	--------	-------	------	-------------

-18	04728856	1	B, U			EN0			SPRING, Quick Disconnect
-19	04741705	1	B, U			EN0			O RING, A/C Liquid Line



CHEROKEE (XJ)

SERIES LINE
L = LOWLINE B = JEEP - 2WD (RHD)
U = JEEP - 4WD (RHD)
T = LHD - (2WD)
J = JEEP - - LHD (4WD)

BODY
72 = 2DR (101.4 WB)
74 = 4 DR (101.4 WB)

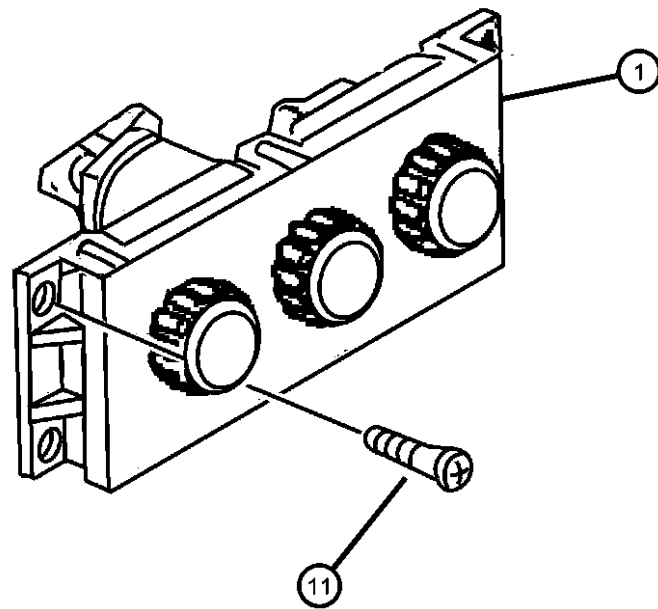
ENGINE TRANSMISSION
ENC = 2.5L 4 Cyl Turbo Diesel Engine
EPE = Engine - 2.5L Power Tech I-4 Cyl.
ERH = 4.0L Power Tech I-6 Engine
ENO = Engines - ALL 4/5 CYL Turbo Diesel
ERO = Engines - All 4.0L 6 Cyl Gas
EPO = ENGINES - ALL 2.5L 4 CYL GAS
DCB = Transmission - 4-Speed Manual,T3340
DDQ = 5-Speed Manual Transmission
DDX = 5-Speed HD Manual Transmission
DGD = 3-Spd. Automatic 30RH Transmission
DGK = 4-Spd. Automatic 42RE Transmission
DGS = 4-Speed Automatic AW4 Transmission
DGT = 4-Spd. Automatic 46RE Transmission
DGW = TRANSMISSION - 4-SPD. AUTOMATIC,44RE
DGX = 4-Speed Automatic Transmission
DGY = No Description Available
DGZ = Transmission- 4-Spd. Automatic,MT643
DBB = ALL MANUAL TRANSMISSIONS
DGO = TRANSMISSIONS - ALL AUTOMATIC

AR = use ase required - = Non illustrated part

1998 XJ

**Control, Heater and Air Conditioning
Figure 24-310**

ITEM	PART NUMBER	QTY	LINE	SERIES	BODY	ENGINE	TRANS	TRIM	DESCRIPTION
1	05011343AA	1	J, T						CONTROL, A/C And Heater
		1	B, U						
-2	05003393AA	1	J, T						CABLE, Temperature Control
	05003394AA	1	B, U						
-3	04882861	3	J, T						KNOB, A/C And Heater Control - Slide
		3	B, U						
-4	05011341AA	1	J, T						HARNES, A/C And Heater Vacuum
		1	B, U						
-5	05003281AA	1	J, T						BULB, Heater and A/C Control
-6	05011342AA	1	J, T						CONTROL, Heater
		1	B, U						
-7	05003393AA	1	J, T						CABLE, Temperature Control
	05003394AA	1	B, U						
-8	04882861	3	J, T						KNOB, A/C And Heater Control - Slide
		3	B, U						



CHEROKEE (XJ)

SERIES LINE
L = LOWLINE B = JEEP - 2WD (RHD)
 U = JEEP - 4WD (RHD)
 T = LHD - (2WD)
 J = JEEP - - LHD (4WD)

BODY
72 = 2DR (101.4 WB)
74 = 4 DR (101.4 WB)

ENGINE TRANSMISSION
ENC = 2.5L 4 Cyl Turbo Diesel Engine
EPE = Engine - 2.5L Power Tech I-4 Cyl.
ERH = 4.0L Power Tech I-6 Engine
ENO = Engines - ALL 4/5 CYL Turbo Diesel
ERO = Engines - All 4.0L 6 Cyl Gas
EPO = ENGINES - ALL 2.5L 4 CYL GAS

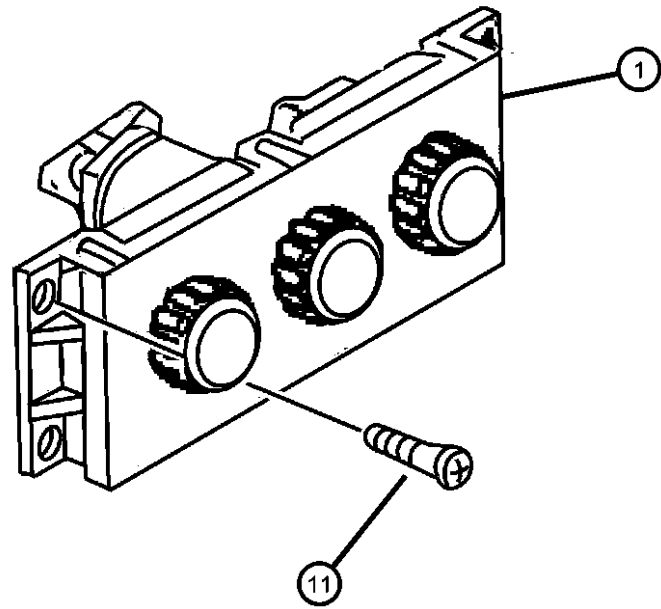
DCB = Transmission - 4-Speed Manual,T3340
DDQ = 5-Speed Manual Transmission
DDX = 5-Speed HD Manual Transmission
DGD = 3-Spd. Automatic 30RH Transmission
DGK = 4-Spd. Automatic 42RE Transmission
DGS = 4-Speed Automatic AW4 Transmission
DGT = 4-Spd. Automatic 46RE Transmission
DGW = TRANSMISSION - 4-SPD. AUTOMATIC,44RE
DGX = 4-Speed Automatic Transmission
DGY = No Description Available
DGZ = Transmission- 4-Spd. Automatic,MT643
DBB = ALL MANUAL TRANSMISSIONS
DGO = TRANSMISSIONS - ALL AUTOMATIC

AR = use ase required - = Non illustrated part

1998 XJ

**Control, Heater and Air Conditioning
Figure 24-310**

ITEM	PART NUMBER	QTY	LINE	SERIES	BODY	ENGINE	TRANS	TRIM	DESCRIPTION
-9	05011340AA	1	J, T						HARNES, Heater Vacuum
-10	05003281AA	1	J, T						BULB, Heater and A/C Control
11	06032723	4							SCREW, Self Tapping, M4.2x1.69x19.05
-12									HOSE AND VALVE, Vacuum
	55036909	1	J, T			EP0			
	55036912AB	1	J, T			ER0			



CHEROKEE (XJ)

SERIES	LINE	BODY	ENGINE	TRANSMISSION
L = LOWLINE	B = JEEP - 2WD (RHD) U = JEEP - 4WD (RHD) T = LHD - (2WD) J = JEEP - - LHD (4WD)	72 = 2DR (101.4 WB) 74 = 4 DR (101.4 WB)	ENC = 2.5L 4 Cyl Turbo Diesel Engine EPE = Engine - 2.5L Power Tech I-4 Cyl. ERH = 4.0L Power Tech I-6 Engine ENO = Engines - ALL 4/5 CYL Turbo Diesel ERO = Engines - All 4.0L 6 Cyl Gas EP0 = ENGINES - ALL 2.5L 4 CYL GAS	DCB = Transmission - 4-Speed Manual,T3340 DDQ = 5-Speed Manual Transmission DDX = 5-Speed HD Manual Transmission DGD = 3-Spd. Automatic 30RH Transmission DGK = 4-Spd. Automatic 42RE Transmission DGS = 4-Speed Automatic AW4 Transmission DGT = 4-Spd. Automatic 46RE Transmission DGW = TRANSMISSION - 4-SPD. AUTOMATIC,44RE DGX = 4-Speed Automatic Transmission DGY = No Description Available DGZ = Transmission- 4-Spd. Automatic,MT643 DBB = ALL MANUAL TRANSMISSIONS DG0 = TRANSMISSIONS - ALL AUTOMATIC

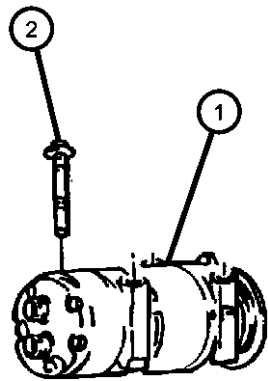
AR = use ase required - = Non illustrated part

**Compressor, Air Conditioning 2.5,4.0L Gas Engines
Figure 24-410**

ITEM	PART NUMBER	QTY	LINE	SERIES	BODY	ENGINE	TRANS	TRIM	DESCRIPTION
------	-------------	-----	------	--------	------	--------	-------	------	-------------

Note: Sales Code EP0 = 2.5L Gas Engine
Note: Sales Code ER0 = 4.0L Engine

1	55037205AD	1				EP0			COMPRESSOR, Air Conditioning
		1	J, T			ER0			
	55037214	1	B, U			ER0			
2	55037214	1							STUD, (NOT SERVICED)
-3	55037347	1	B, U			ER0			JUNCTION BLOCK, Air Conditioning Lines
-4									CLUTCH, A/C Compressor
	04882005	1	J, T			EP0, ER0			
		1	B, U			EP0			
	04882006	1	B, U			ER0			



CHEROKEE (XJ)

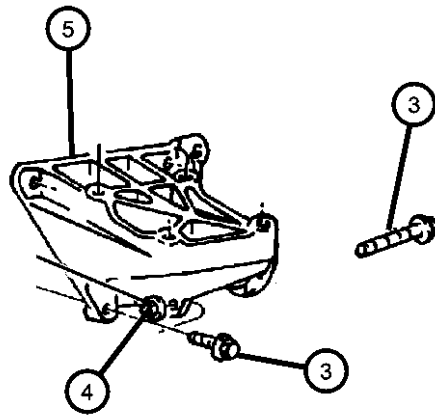
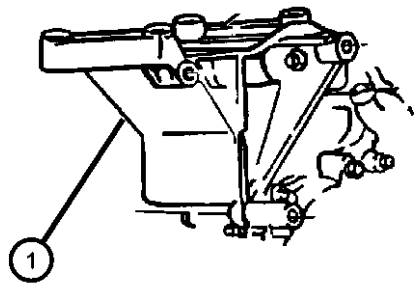
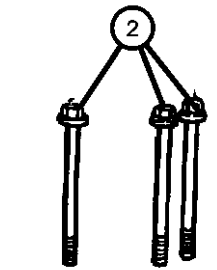
SERIES	LINE	BODY	ENGINE	TRANSMISSION
L = LOWLINE	B = JEEP - 2WD (RHD) U = JEEP - 4WD (RHD) T = LHD - (2WD) J = JEEP - - LHD (4WD)	72 = 2DR (101.4 WB) 74 = 4 DR (101.4 WB)	ENC = 2.5L 4 Cyl Turbo Diesel Engine EPE = Engine - 2.5L Power Tech I-4 Cyl. ERH = 4.0L Power Tech I-6 Engine ENO = Engines - ALL 4/5 CYL Turbo Diesel ERO = Engines - All 4.0L 6 Cyl Gas EP0 = ENGINES - ALL 2.5L 4 CYL GAS	DCB = Transmission - 4-Speed Manual,T3340 DDQ = 5-Speed Manual Transmission DDX = 5-Speed HD Manual Transmission DGD = 3-Spd. Automatic 30RH Transmission DGK = 4-Spd. Automatic 42RE Transmission DGS = 4-Speed Automatic AW4 Transmission DGT = 4-Spd. Automatic 46RE Transmission DGW = TRANSMISSION - 4-SPD. AUTOMATIC,44RE DGX = 4-Speed Automatic Transmission DGY = No Description Available DGZ = Transmission- 4-Spd. Automatic,MT643 DBB = ALL MANUAL TRANSMISSIONS DGO = TRANSMISSIONS - ALL AUTOMATIC

AR = use ase required - = Non illustrated part

1998 XJ

**Compressor Mounting
Figure 24-510**

ITEM	PART NUMBER	QTY	LINE	SERIES	BODY	ENGINE	TRANS	TRIM	DESCRIPTION
Note: Sales Code EP0 = 2.5L Gas Engine Note: Sales Code ER0 = 4.0L Engine									
1	53010207	1	J, T			EP0			BRACKET, Alternator And Compressor
2	06502957	1	J, T			ER0			BOLT, Hex Flange Head, M10-1.5x90.0
3	J4007073	2							SCREW AND WASHER, .375-16x1.125
4	06502135	2							NUT, Hex Flange, M10x1.5
5									BRACKET, A/C Compressor, With Idler Mounting
	53010023	1	B, U			ER0			
	53011002	1	J, T			ER0			



CHEROKEE (XJ)

SERIES	LINE	BODY	ENGINE	TRANSMISSION
L = LOWLINE	B = JEEP - 2WD (RHD) U = JEEP - 4WD (RHD) T = LHD - (2WD) J = JEEP - - LHD (4WD)	72 = 2DR (101.4 WB) 74 = 4 DR (101.4 WB)	ENC = 2.5L 4 Cyl Turbo Diesel Engine EPE = Engine - 2.5L Power Tech I-4 Cyl. ERH = 4.0L Power Tech I-6 Engine ENO = Engines - ALL 4/5 CYL Turbo Diesel ERO = Engines - All 4.0L 6 Cyl Gas EP0 = ENGINES - ALL 2.5L 4 CYL GAS	DCB = Transmission - 4-Speed Manual, T3340 DDQ = 5-Speed Manual Transmission DDX = 5-Speed HD Manual Transmission DGD = 3-Spd. Automatic 30RH Transmission DGK = 4-Spd. Automatic 42RE Transmission DGS = 4-Speed Automatic AW4 Transmission DGT = 4-Spd. Automatic 46RE Transmission DGW = TRANSMISSION - 4-SPD. AUTOMATIC, 44RE DGX = 4-Speed Automatic Transmission DGY = No Description Available DGZ = Transmission- 4-Spd. Automatic, MT643 DBB = ALL MANUAL TRANSMISSIONS DGO = TRANSMISSIONS - ALL AUTOMATIC

AR = use ase required - = Non illustrated part

Group - 25

Emission Systems

Group - 25 Emission Systems

Illustration Title

Group-Fig. No.

Emission Labels

Emission LabelsFig. 25 - 120

EGR System

EGR System.....Fig. 25 - 220

Vacuum Canister

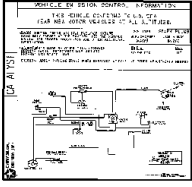
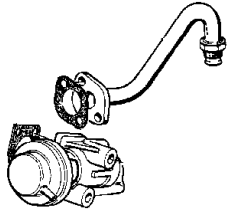

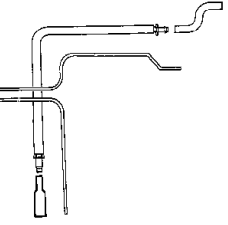
Vacuum CanisterFig. 25 - 335

Emission Harness

Emission Control Vacuum HarnessFig. 25 - 430

Emission Control Vacuum HarnessFig. 25 - 450

Leak Detection Pump.....Fig. 25 - 460

<p>025-100 Emission Labels</p> 	<p>025-200 EGR System</p> 	<p>025-300 Vacuum Canister</p> 	<p>025-400 Emission Harness</p> 
--	--	---	--

Emission Labels
Figure 25-120

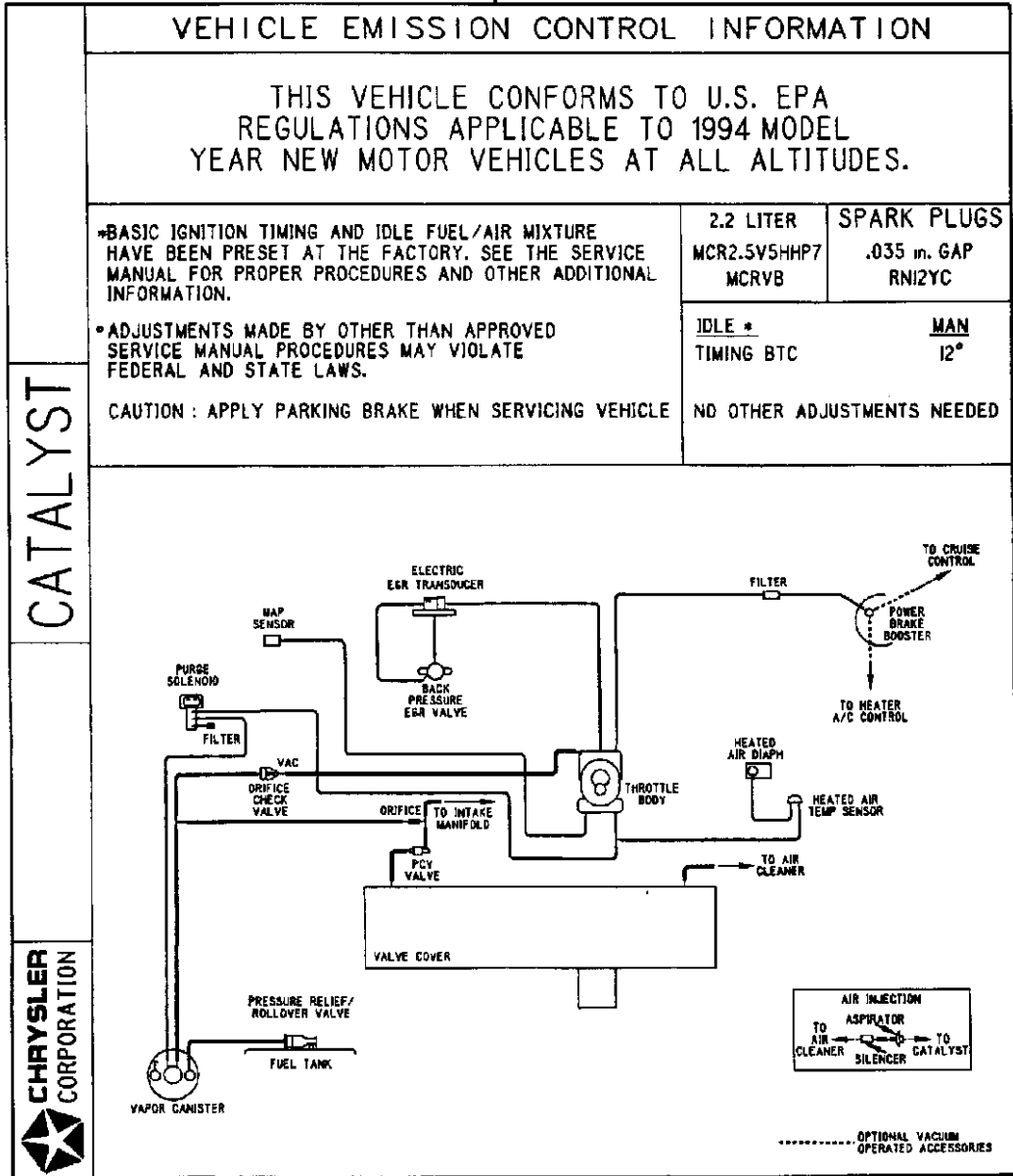
ITEM	PART NUMBER	QTY	LINE	SERIES	BODY	ENGINE	TRANS	TRIM	DESCRIPTION
------	-------------	-----	------	--------	------	--------	-------	------	-------------

NOTE: EN0=All 2.5L Diesel Engines DBB=All Manual Transmissions DG0=All Automatic Transmissions

1									LABEL, Emission
	53013234AA	1	J, U			ERH			Europe
	53013825AA	1				EPE			California
	53013827AA	1	J, T			EPE			Federal
	53013828AA	1	J, U			EPE			Europe
	53013829AA	1	T			ERH			California
		1	J		72	ERH	DBB		California
	53013830AA	1	J		72	ERH	DG0		California
		1	J		74	ERH			California
	53013831AA	1	J		72	ERH	DBB		Federal
		1	B, T			ERH			Federal
	53013832AA	1	J		72	ERH	DG0		Federal
		1	J, U		74	ERH			Federal
	53013833AA	1	J		72	ERH	DBB		Canada
		1	B, T			ERH			Canada
	53013834AA	1	J		72	ERH	DG0		Canada
		1	J, U		74	ERH			Canada

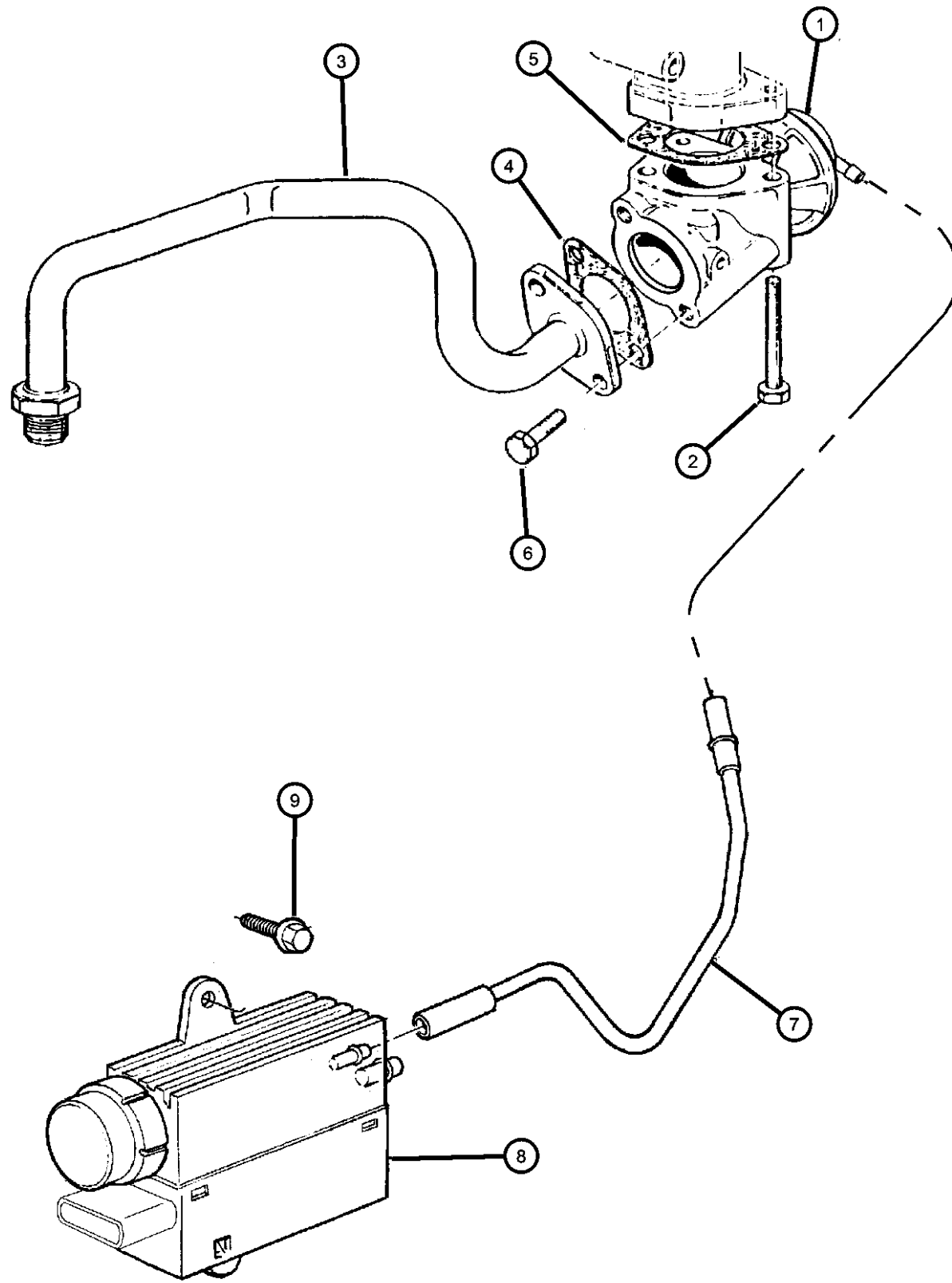
CHEROKEE (XJ)

SERIES	LINE	BODY	ENGINE	TRANSMISSION
L = LOWLINE	B = JEEP - 2WD (RHD) U = JEEP - 4WD (RHD) T = LHD - (2WD) J = JEEP - - LHD (4WD)	72 = 2DR (101.4 WB) 74 = 4 DR (101.4 WB)	ENC = 2.5L 4 Cyl Turbo Diesel Engine EPE = Engine - 2.5L Power Tech I-4 Cyl. ERH = 4.0L Power Tech I-6 Engine ENO = Engines - ALL 4/5 CYL Turbo Diesel ERO = Engines - All 4.0L 6 Cyl Gas EPO = ENGINES - ALL 2.5L 4 CYL GAS	DCB = Transmission - 4-Speed Manual, T3340 DDQ = 5-Speed Manual Transmission DDX = 5-Speed HD Manual Transmission DGD = 3-Spd. Automatic 30RH Transmission DGK = 4-Spd. Automatic 42RE Transmission DGS = 4-Speed Automatic AW4 Transmission DGT = 4-Spd. Automatic 46RE Transmission DGW = TRANSMISSION - 4-SPD. AUTOMATIC, 44RE DGX = 4-Speed Automatic Transmission DGY = No Description Available DGZ = Transmission- 4-Spd. Automatic, MT643 DBB = ALL MANUAL TRANSMISSIONS DG0 = TRANSMISSIONS - ALL AUTOMATIC



AR = use ase required - = Non illustrated part

EGR System
Figure 25-220



ITEM	PART NUMBER	QTY	LINE	SERIES	BODY	ENGINE	TRANS	TRIM	DESCRIPTION
------	-------------	-----	------	--------	------	--------	-------	------	-------------

NOTE: EN0=All 2.5L Diesel Engines

1	04882409	1				EN0			VALVE, EGR
2	04863749	2				EN0			BOLT
3	04864751	1				EN0			PIPE, EGR to Manifold
4	04720208	1				EN0			GASKET, EGR Tube Flange
5	04778965	1				EN0			GASKET, EGR Tube
6	04864537	2				EN0			BOLT, 8Mx20
7	53031542	1				EN0			TUBE, Exhaust Gas Recovery
8	56027094	1				EN0			MODULATOR, Vacuum Electric
9	56027094	1							SCREW/WASHER, Hex Head, .250-14x.500, (NOT SERVICED)

CHEROKEE (XJ)

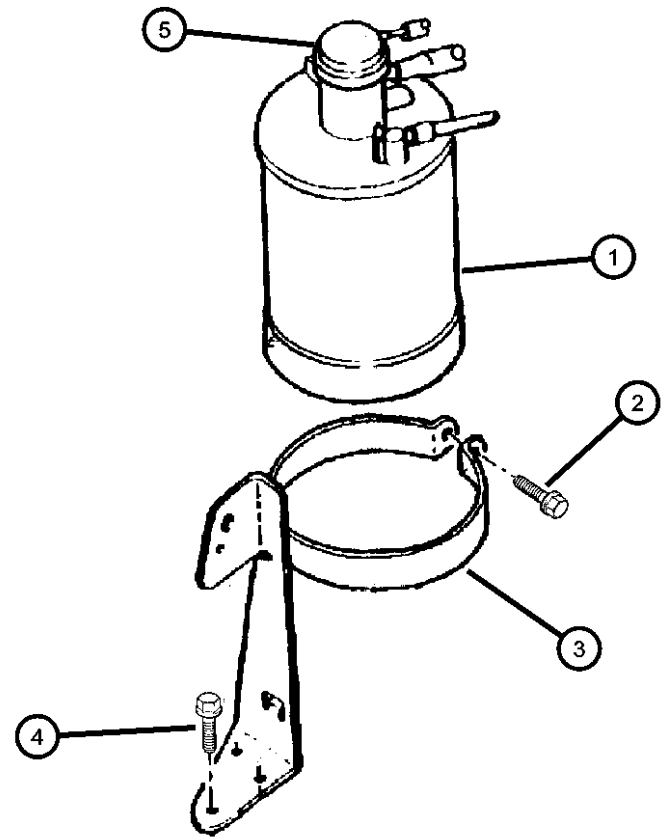
SERIES	LINE
L = LOWLINE	B = JEEP - 2WD (RHD) U = JEEP - 4WD (RHD) T = LHD - (2WD) J = JEEP - - LHD (4WD)

BODY
72 = 2DR (101.4 WB) 74 = 4 DR (101.4 WB)

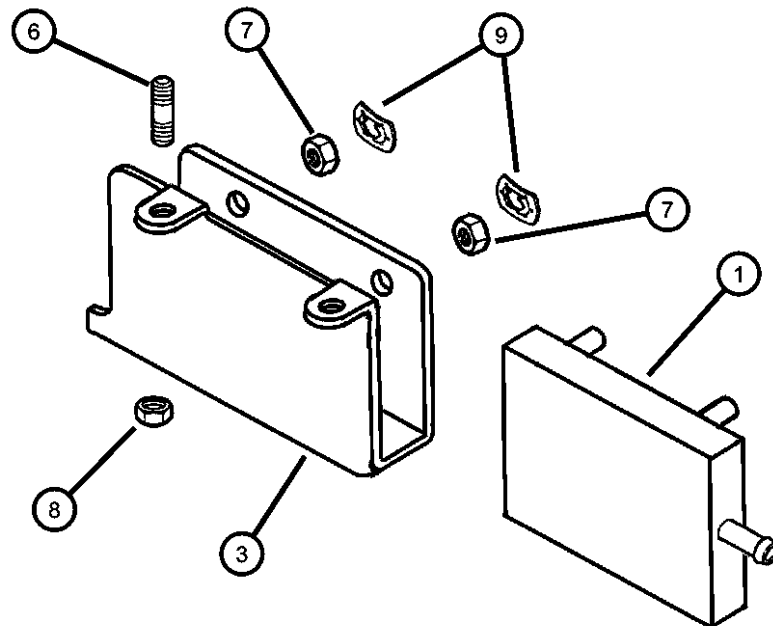
ENGINE	TRANSMISSION
ENC = 2.5L 4 Cyl Turbo Diesel Engine	DCB = Transmission - 4-Speed Manual, T3340
EPE = Engine - 2.5L Power Tech I-4 Cyl.	DDQ = 5-Speed Manual Transmission
ERH = 4.0L Power Tech I-6 Engine	DDX = 5-Speed HD Manual Transmission
ENO = Engines - ALL 4/5 CYL Turbo Diesel	DGD = 3-Spd. Automatic 30RH Transmission
ERO = Engines - All 4.0L 6 Cyl Gas	DGK = 4-Spd. Automatic 42RE Transmission
EPO = ENGINES - ALL 2.5L 4 CYL GAS	DGS = 4-Speed Automatic AW4 Transmission
	DGT = 4-Spd. Automatic 46RE Transmission
	DGW = TRANSMISSION - 4-SPD. AUTOMATIC, 44RE
	DGX = 4-Speed Automatic Transmission
	DGY = No Description Available
	DGZ = Transmission- 4-Spd. Automatic, MT643
	DBB = ALL MANUAL TRANSMISSIONS
	DG0 = TRANSMISSIONS - ALL AUTOMATIC

AR = use ase required - = Non illustrated part

Vacuum Canister
Figure 25-335



ITEM	PART NUMBER	QTY	LINE	SERIES	BODY	ENGINE	TRANS	TRIM	DESCRIPTION
1	04854112	1				EP0, ER0			CANISTER, Vapor Federal, California
	53031904AB	1				EP0, ER0			Europe, Leaded Gas
2	J9420882	1				EP0, ER0			SCREW, Hex Flange Head, .25-14x1.50
3	53007836	1	J, T			EP0, ER0			BRACKET, Vapor Canister Europe, Leaded Gas
	53013040AC	1				EP0, ER0			Federal, California
4	06035058	3	J, T			EP0, ER0			SCREW, Hex Flange Head, .19-16x.50
5	04192074	1				EP0, ER0			CAP, Vapor Canister
6	06503951	2				EP0, ER0			STUD, M6X1.00X.250-14X30.00
7	04669177	2				EP0, ER0			GROMMET, Air Cleaner Bracket
8	06101469	2				EP0, ER0			NUT, Hex, M6x1.00
9	00441263	2				EP0, ER0			NUT, Push
-10	53013041AB	1				EP0, ER0			TUBE, Vent



CHEROKEE (XJ)

SERIES LINE
L = LOWLINE B = JEEP - 2WD (RHD)
U = JEEP - 4WD (RHD)
T = LHD - (2WD)
J = JEEP - - LHD (4WD)

BODY
72 = 2DR (101.4 WB)
74 = 4 DR (101.4 WB)

ENGINE TRANSMISSION
ENC = 2.5L 4 Cyl Turbo Diesel Engine
EPE = Engine - 2.5L Power Tech I-4 Cyl.
ERH = 4.0L Power Tech I-6 Engine
ENO = Engines - ALL 4/5 CYL Turbo Diesel
ERO = Engines - All 4.0L 6 Cyl Gas
EP0 = ENGINES - ALL 2.5L 4 CYL GAS
DCB = Transmission - 4-Speed Manual,T3340
DDQ = 5-Speed Manual Transmission
DDX = 5-Speed HD Manual Transmission
DGD = 3-Spd. Automatic 30RH Transmission
DGK = 4-Spd. Automatic 42RE Transmission
DGS = 4-Speed Automatic AW4 Transmission
DGT = 4-Spd. Automatic 46RE Transmission
DGW = TRANSMISSION - 4-SPD. AUTOMATIC,44RE
DGX = 4-Speed Automatic Transmission
DGY = No Description Available
DGZ = Transmission- 4-Spd. Automatic,MT643
DBB = ALL MANUAL TRANSMISSIONS
DGO = TRANSMISSIONS - ALL AUTOMATIC

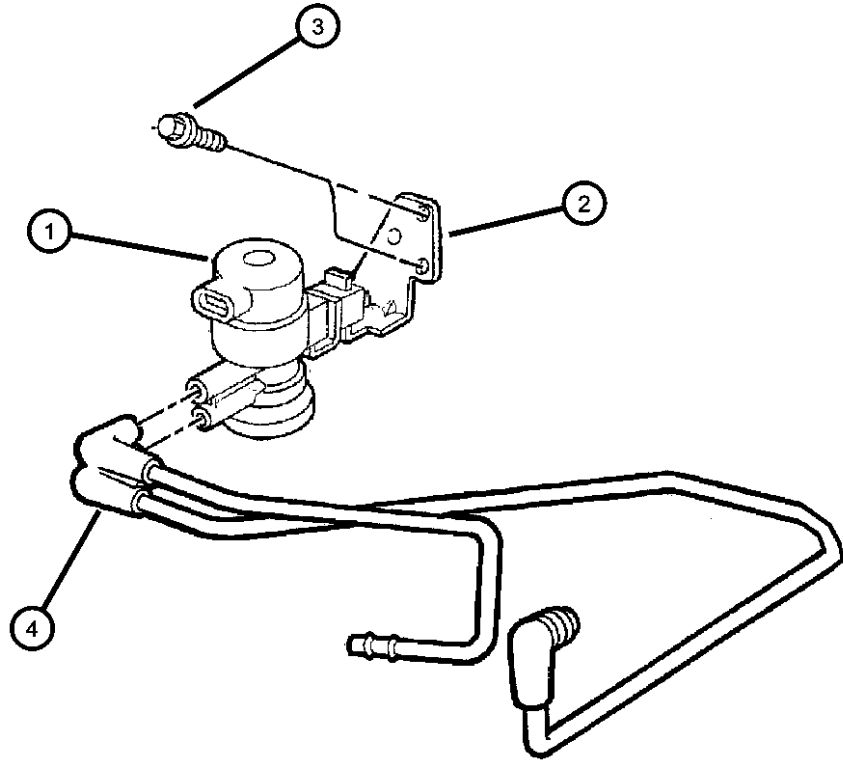
AR = use ase required - = Non illustrated part

1998 XJ

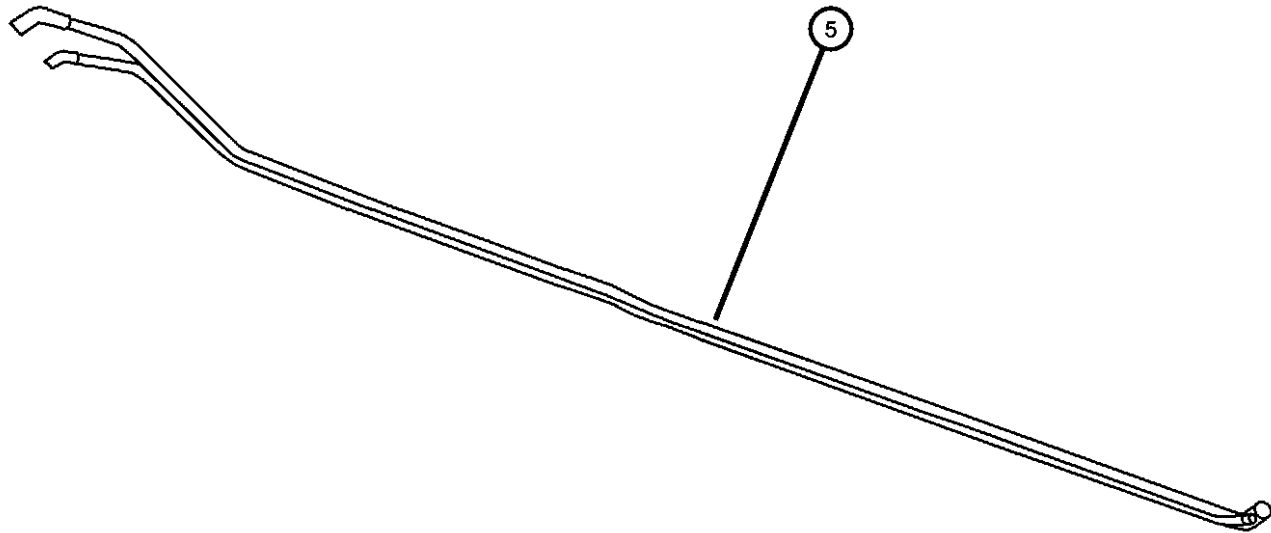
**Emission Control Vacuum Harness
Figure 25-430**

ITEM	PART NUMBER	QTY	LINE	SERIES	BODY	ENGINE	TRANS	TRIM	DESCRIPTION
------	-------------	-----	------	--------	------	--------	-------	------	-------------

NOTE: EP0=All 2.5L Gas Engines ER0=All 4.0L Engines



1	04669475AB	1				EP0, ER0			SOLENOID, Duty Cycle Purge
2	56027773AB	1				EP0, ER0			BRACKET, Duty Cycle Purge Solenoid
3	06032988	2				EP0, ER0			SCREW
4									HARNESS, Duty Cycle Purge Solenoid
	04854149	1	B, U			EP0			
	04854151	1	B, U			ER0			
	04854895	1	J, T			EP0			
	04854896	1	J, T			ER0			
5	04854207AC	1				EP0, ER0			HARNESS, Vacuum Body Side
-6									PORT, Emission Testing
	04591090	1	J, T			EP0			
		1	B, U			EP0			
		1	J, T			ER0			
		1	B, U			ER0			
-7	04854138AD	1	J, T			ER0			HARNESS, Vapor Purge



CHEROKEE (XJ)

SERIES LINE
L = LOWLINE B = JEEP - 2WD (RHD)
U = JEEP - 4WD (RHD)
T = LHD - (2WD)
J = JEEP - - LHD (4WD)

BODY
72 = 2DR (101.4 WB)
74 = 4 DR (101.4 WB)

ENGINE TRANSMISSION
ENC = 2.5L 4 Cyl Turbo Diesel Engine
EPE = Engine - 2.5L Power Tech I-4 Cyl.
ERH = 4.0L Power Tech I-6 Engine
ENO = Engines - ALL 4/5 CYL Turbo Diesel
ERO = Engines - All 4.0L 6 Cyl Gas
EP0 = ENGINES - ALL 2.5L 4 CYL GAS
DCB = Transmission - 4-Speed Manual,T3340
DDQ = 5-Speed Manual Transmission
DDX = 5-Speed HD Manual Transmission
DGD = 3-Spd. Automatic 30RH Transmission
DGK = 4-Spd. Automatic 42RE Transmission
DGS = 4-Speed Automatic AW4 Transmission
DGT = 4-Spd. Automatic 46RE Transmission
DGW = TRANSMISSION - 4-SPD. AUTOMATIC,44RE
DGX = 4-Speed Automatic Transmission
DGY = No Description Available
DGZ = Transmission- 4-Spd. Automatic,MT643
DBB = ALL MANUAL TRANSMISSIONS
DGO = TRANSMISSIONS - ALL AUTOMATIC

AR = use ase required - = Non illustrated part

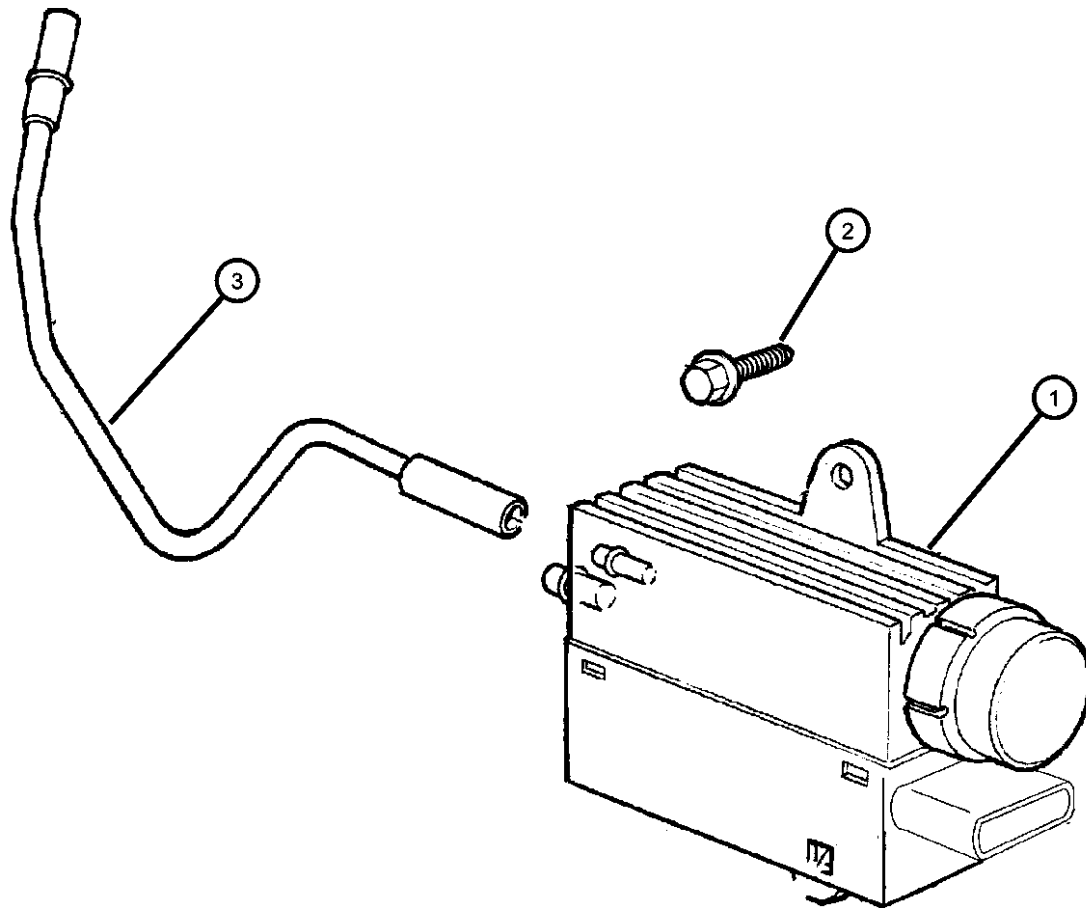
1998 XJ

**Emission Control Vacuum Harness
Figure 25-450**

ITEM	PART NUMBER	QTY	LINE	SERIES	BODY	ENGINE	TRANS	TRIM	DESCRIPTION
------	-------------	-----	------	--------	------	--------	-------	------	-------------

NOTE: All 2.5L Diesel Engines

1	56027094	1				EN0			MODULATOR, Vacuum Electric
2	06034959	2				EN0			SCREW, Hex Flange Head, .25-14x.549
3	53031542	1				EN0			TUBE, Exhaust Gas Recovery



CHEROKEE (XJ)

SERIES LINE
L = LOWLINE B = JEEP - 2WD (RHD)
U = JEEP - 4WD (RHD)
T = LHD - (2WD)
J = JEEP - - LHD (4WD)

BODY
72 = 2DR (101.4 WB)
74 = 4 DR (101.4 WB)

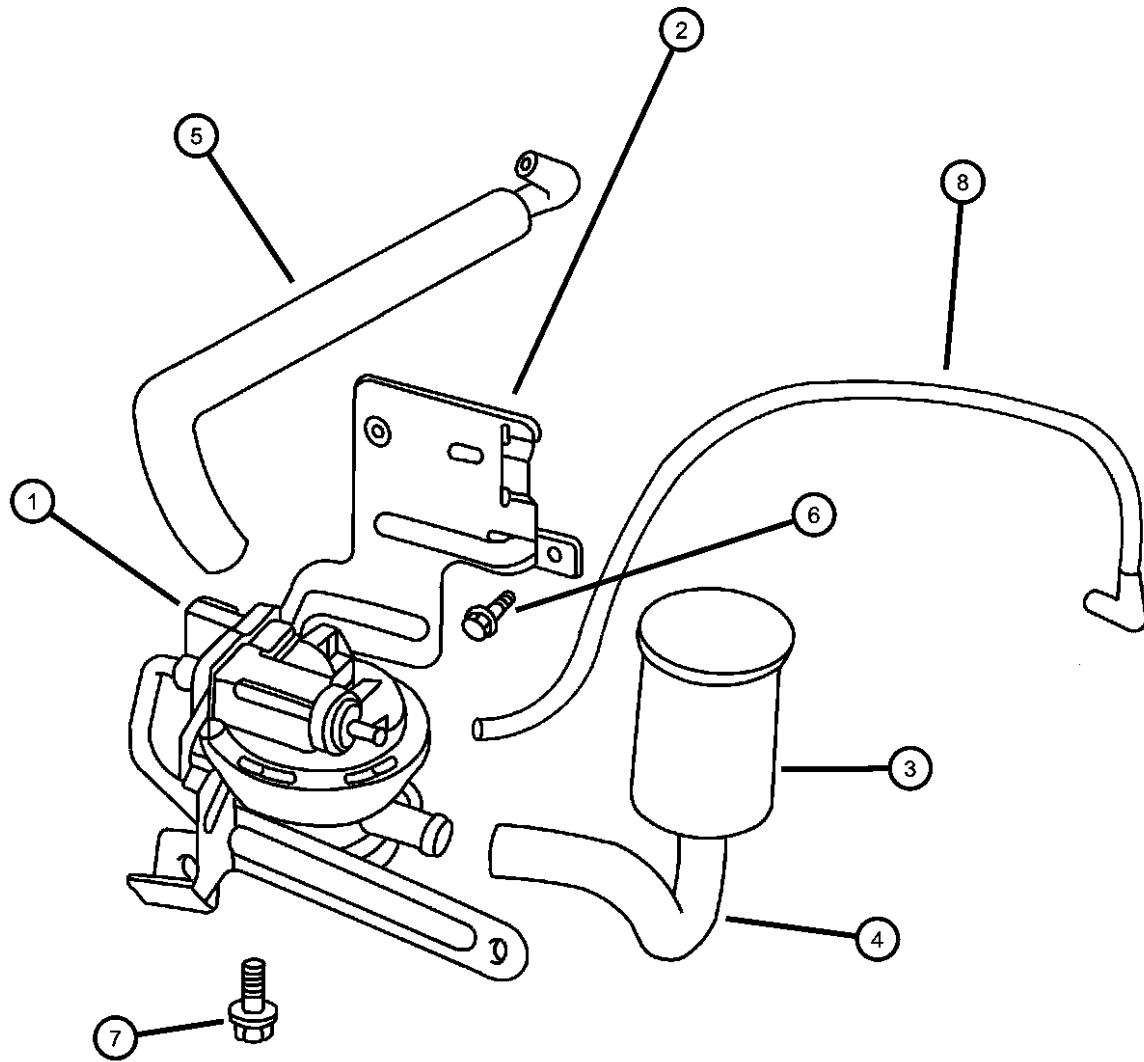
ENGINE TRANSMISSION
ENC = 2.5L 4 Cyl Turbo Diesel Engine DCB = Transmission - 4-Speed Manual,T3340
EPE = Engine - 2.5L Power Tech I-4 Cyl. DDQ = 5-Speed Manual Transmission
ERH = 4.0L Power Tech I-6 Engine DDX = 5-Speed HD Manual Transmission
DGD = 3-Spd. Automatic 30RH
EN0 = Engines - ALL 4/5 CYL Turbo Diesel Transmission
DVK = 4-Spd. Automatic 42RE
ERO = Engines - All 4.0L 6 Cyl Gas Transmission
DGS = 4-Speed Automatic AW4
EPO = ENGINES - ALL 2.5L 4 CYL GAS Transmission
DGT = 4-Spd. Automatic 46RE
Transmission
DGW = TRANSMISSION - 4-SPD. AUTOMATIC,44RE
DGY = No Description Available
DGX = 4-Speed Automatic Transmission
DGY = No Description Available
DGZ = Transmission- 4-Spd. Automatic,MT643
DBB = ALL MANUAL TRANSMISSIONS
DGO = TRANSMISSIONS - ALL AUTOMATIC

AR = use ase required - = Non illustrated part

1998 XJ

**Leak Detection Pump
Figure 25-460**

ITEM	PART NUMBER	QTY	LINE	SERIES	BODY	ENGINE	TRANS	TRIM	DESCRIPTION
1	53013113AA	1	J, T			EP0, ER0			PUMP, Leak Detection
2	04854184	1	J, T			EP0, ER0			BRACKET, Leak Detection Pump
3	04612901	1				EP0, ER0			FILTER, Fuel Vapor Vent
4	53013001AA	1	J, T			EP0, ER0			HOSE, Leak Detection Pump
5	53013030AA	1	J, T			EP0, ER0			HOSE, Leak Detection Pump
6	53013030AA	1							SCREW, M6x1.00x11.00, (NOT SERVICED)
7	06035482	3				EP0, ER0			SCREW, Tapping, .19-16x.375
8									TUBE, LDP to Intake Manifold
	53013042AA	1	J, T			EP0			
	53013043AA	1	J, T			ER0			



CHEROKEE (XJ)

SERIES

L = LOWLINE

LINE

B = JEEP - 2WD (RHD)
U = JEEP - 4WD (RHD)
T = LHD - (2WD)
J = JEEP - - LHD (4WD)

BODY

72 = 2DR (101.4 WB)
74 = 4 DR (101.4 WB)

ENGINE

ENC = 2.5L 4 Cyl Turbo Diesel Engine
EPE = Engine - 2.5L Power Tech I-4 Cyl.
ERH = 4.0L Power Tech I-6 Engine
ENO = Engines - ALL 4/5 CYL Turbo Diesel
ERO = Engines - All 4.0L 6 Cyl Gas
EP0 = ENGINES - ALL 2.5L 4 CYL GAS

TRANSMISSION

DCB = Transmission - 4-Speed Manual,T3340
DDQ = 5-Speed Manual Transmission
DDX = 5-Speed HD Manual Transmission
DGD = 3-Spd. Automatic 30RH Transmission
DGK = 4-Spd. Automatic 42RE Transmission
DGS = 4-Speed Automatic AW4 Transmission
DGT = 4-Spd. Automatic 46RE Transmission
DGW = TRANSMISSION - 4-SPD. AUTOMATIC,44RE
DGX = 4-Speed Automatic Transmission
DGY = No Description Available
DGZ = Transmission- 4-Spd. Automatic,MT643
DBB = ALL MANUAL TRANSMISSIONS
DGO = TRANSMISSIONS - ALL AUTOMATIC

AR = use ase required - = Non illustrated part

1998 XJ

Group - DXJ

Doors and Related Parts

Group - DXJ Doors and Related Parts

Illustration Title

Group-Fig. No.

Front Door

Door, Front.....	Fig. DXJ - 110
Door, Front.....	Fig. DXJ - 120
Door, Front.....	Fig. DXJ - 130

Rear Door

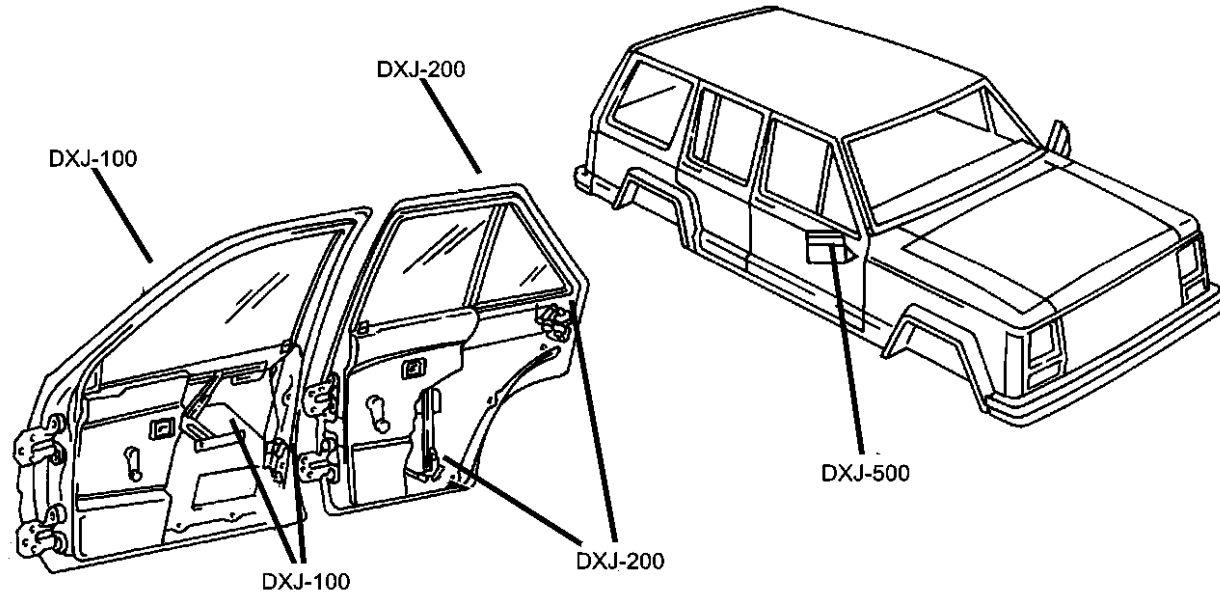
Door, Rear.....	Fig. DXJ - 210
Door, Rear.....	Fig. DXJ - 220
Door, Rear.....	Fig. DXJ - 230

Exterior Mirror

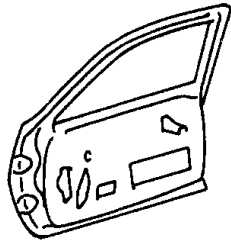
Mirrors, Exterior.....	Fig. DXJ - 510
------------------------	----------------

Weatherstrips and Seals

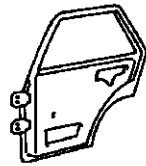
Door, Front.....	Fig. DXJ - 610
Door, Rear.....	Fig. DXJ - 620



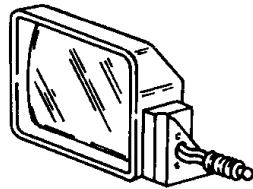
DXJ-100
Front Door



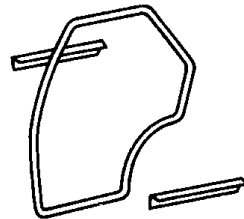
DXJ-200
Rear Door



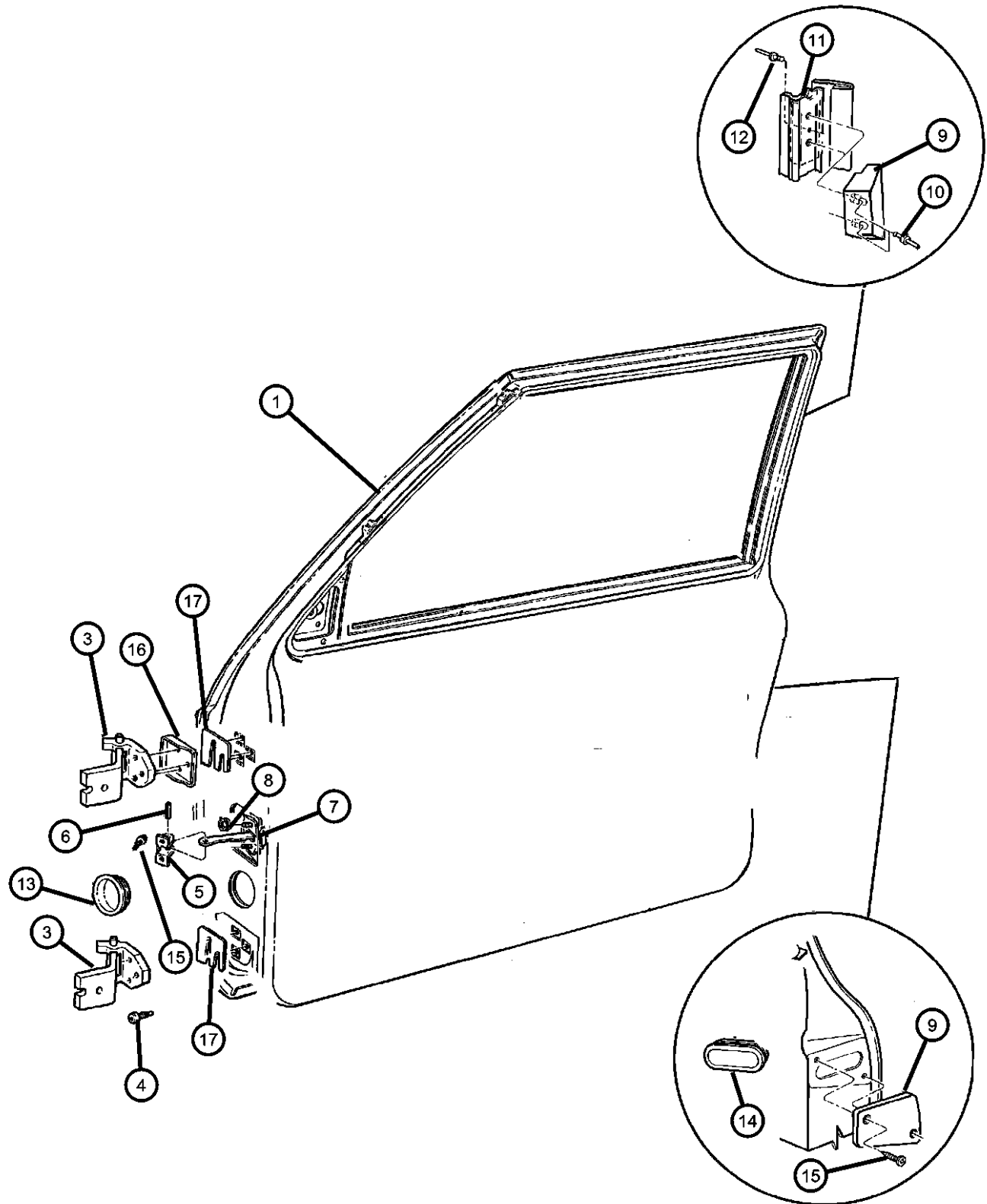
DXJ-500
Exterior Mirror



DXJ-600
Weatherstrips and Seals



Door, Front
Figure DXJ-110



ITEM	PART NUMBER	QTY	LINE	SERIES	BODY	ENGINE	TRANS	TRIM	DESCRIPTION
1									DOOR, Front
	55175424AB	1	J, T, U		72				Right
	55175425AB	1	J, T, U		72				Left
	55175464AB	1			74				Right
	55175465AB	1			74				Left
-2									PANEL, Door Outer Repair
	05003402AA	1			74				Right
	05003403AA	1			74				Left
	05003400AA	1	J, T, U		72				Right
	05003401AA	1	J, T, U		72				Left
3	55235368AB	4							HINGE, Front Door
4	06504957AA	12							SCREW, M8-1.25
5	55002361	2							BRACKET, Check Arm
6	55012900	2			74				PIN, Check Arm
7	55235571	2							CHECK, Front Door
8	55235571	2							LOCK NUT, Hex Flange, M6-1.00, (NOT SERVICED)
9									SPACER, Door
	55074906	1	J, T, U		72				Lower Right
	55074907	1	J, T, U		72				Lower Left
	55074908	1	J, T, U		72				Upper Right
	55074909	1	J, T, U		72				Upper Left
10									RIVET, Blind Expansion (R-Lok)

CHEROKEE (XJ)

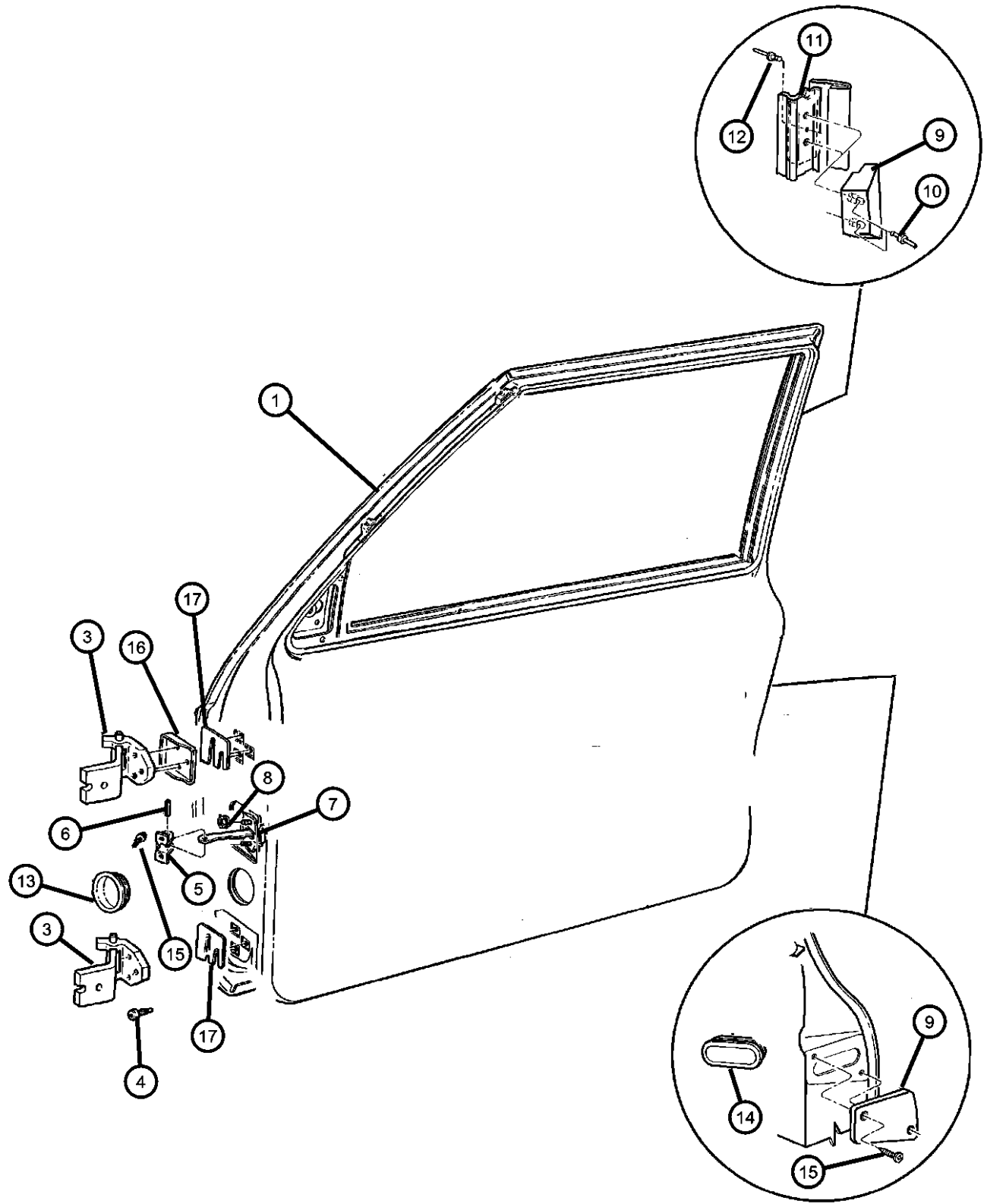
SERIES LINE
 L = LOWLINE B = JEEP - 2WD (RHD)
 U = JEEP - 4WD (RHD)
 T = LHD - (2WD)
 J = JEEP - - LHD (4WD)

BODY
 72 = 2DR (101.4 WB)
 74 = 4 DR (101.4 WB)

ENGINE TRANSMISSION
 ENC = 2.5L 4 Cyl Turbo Diesel Engine
 EPE = Engine - 2.5L Power Tech I-4 Cyl.
 ERH = 4.0L Power Tech I-6 Engine
 ENO = Engines - ALL 4/5 CYL Turbo Diesel
 ERO = Engines - All 4.0L 6 Cyl Gas
 EPO = ENGINES - ALL 2.5L 4 CYL GAS
 DCB = Transmission - 4-Speed Manual,T3340
 DDQ = 5-Speed Manual Transmission
 DDX = 5-Speed HD Manual Transmission
 DGD = 3-Spd. Automatic 30RH Transmission
 DGK = 4-Spd. Automatic 42RE Transmission
 DGS = 4-Speed Automatic AW4 Transmission
 DGT = 4-Spd. Automatic 46RE Transmission
 DGW = TRANSMISSION - 4-SPD. AUTOMATIC,44RE
 DGX = 4-Speed Automatic Transmission
 DGY = No Description Available
 DGZ = Transmission- 4-Spd. Automatic,MT643
 DBB = ALL MANUAL TRANSMISSIONS
 DGO = TRANSMISSIONS - ALL AUTOMATIC

AR = use ase required - = Non illustrated part

Door, Front
Figure DXJ-110



ITEM	PART NUMBER	QTY	LINE	SERIES	BODY	ENGINE	TRANS	TRIM	DESCRIPTION
	06504700	3	B, U						
		3	J, T						
11	55006216	2	J, T, U		72				REINFORCEMENT, Door Spacer
12									RIVET, M3.18x2.37
	34201684	4	J, T, U		72				
		2			74				
13	55002367	2							PLUG, Door Wiring Conduit
14	55002368	2							PLUG, Door Latch
15	55002368	2							SCREW, (NOT SERVICED)
16	55004597	1							PLATE, Door Hinge
17	55004920	AR							SHIM

CHEROKEE (XJ)

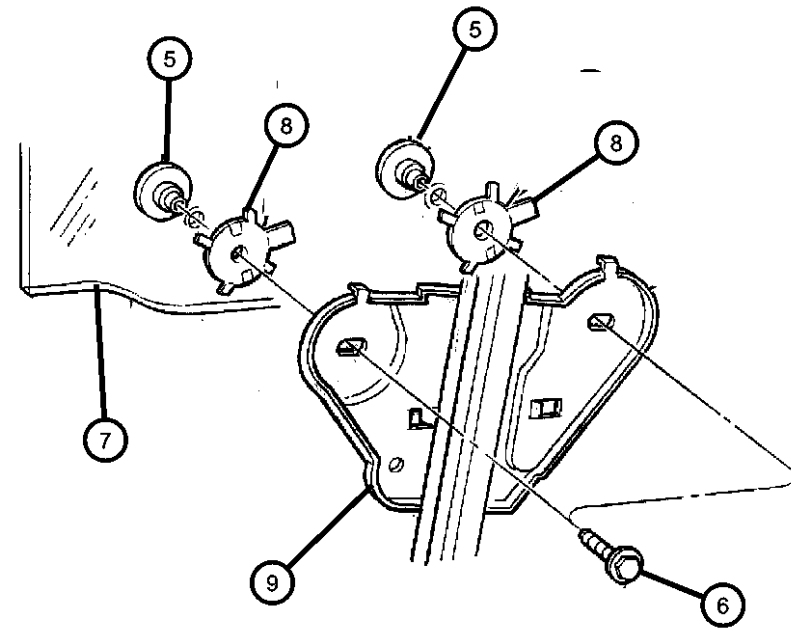
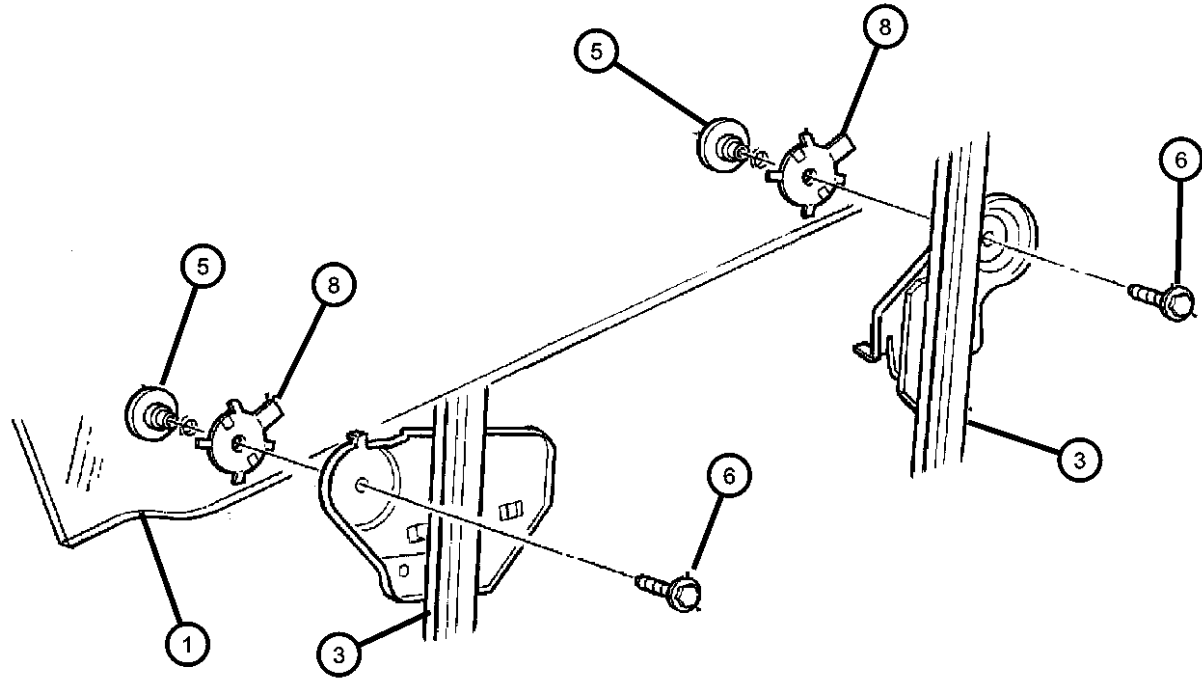
SERIES LINE
 L = LOWLINE B = JEEP - 2WD (RHD)
 U = JEEP - 4WD (RHD)
 T = LHD - (2WD)
 J = JEEP - - LHD (4WD)

BODY
 72 = 2DR (101.4 WB)
 74 = 4 DR (101.4 WB)

ENGINE TRANSMISSION
 ENC = 2.5L 4 Cyl Turbo Diesel Engine
 EPE = Engine - 2.5L Power Tech I-4 Cyl.
 ERH = 4.0L Power Tech I-6 Engine
 ENO = Engines - ALL 4/5 CYL Turbo Diesel
 ERO = Engines - All 4.0L 6 Cyl Gas
 EPO = ENGINES - ALL 2.5L 4 CYL GAS
 DCB = Transmission - 4-Speed Manual, T3340
 DDQ = 5-Speed Manual Transmission
 DDX = 5-Speed HD Manual Transmission
 DGD = 3-Spd. Automatic 30RH Transmission
 DGK = 4-Spd. Automatic 42RE Transmission
 DGS = 4-Speed Automatic AW4 Transmission
 DGT = 4-Spd. Automatic 46RE Transmission
 DGW = TRANSMISSION - 4-SPD. AUTOMATIC, 44RE
 DGX = 4-Speed Automatic Transmission
 DGY = No Description Available
 DGZ = Transmission- 4-Spd. Automatic, MT643
 DBB = ALL MANUAL TRANSMISSIONS
 DGO = TRANSMISSIONS - ALL AUTOMATIC

AR = use ase required - = Non illustrated part

Door, Front
Figure DXJ-120



ITEM	PART NUMBER	QTY	LINE	SERIES	BODY	ENGINE	TRANS	TRIM	DESCRIPTION
1	55175436	1	J, T, U		72				GLASS, Door Right
	DD09230GTN								Collision Replacement Glass
	55175437	1	J, T, U		72				Left
	DD09231GTN								Collision Replacement Glass
-2	55175437	1							CHANNEL, Glass Run Lower, (NOT SERVICED)
3									REGULATOR, Front Door Window
	55076052AE	1			74				Without Power, Right
	55076053AE	1			74				Without Power, Left
	55076276AH	1	J, T, U		72				Without Power, Right
	55076277AH	1	J, T, U		72				Without Power, Left
	55155012AG	1	J, T, U		72				With Power, Right
	55155013AG	1	J, T, U		72				With Power, Left
-4									HANDLE, Window Regulator
	0FW80SC3	2							Grey
	0FW80TT6	2							Spice
5	04415943	4							RETAINER, Glass to Liftplate
6	34201807	4							BOLT, Hex Flange Head, M6x1.00x16
7									GLASS, Front Door
	55175430	1			74				Right
	DD09228GTN								Collision Replacement Glass
	55175431	1			74				Left

CHEROKEE (XJ)

SERIES LINE
L = LOWLINE B = JEEP - 2WD (RHD)
U = JEEP - 4WD (RHD)
T = LHD - (2WD)
J = JEEP - - LHD (4WD)

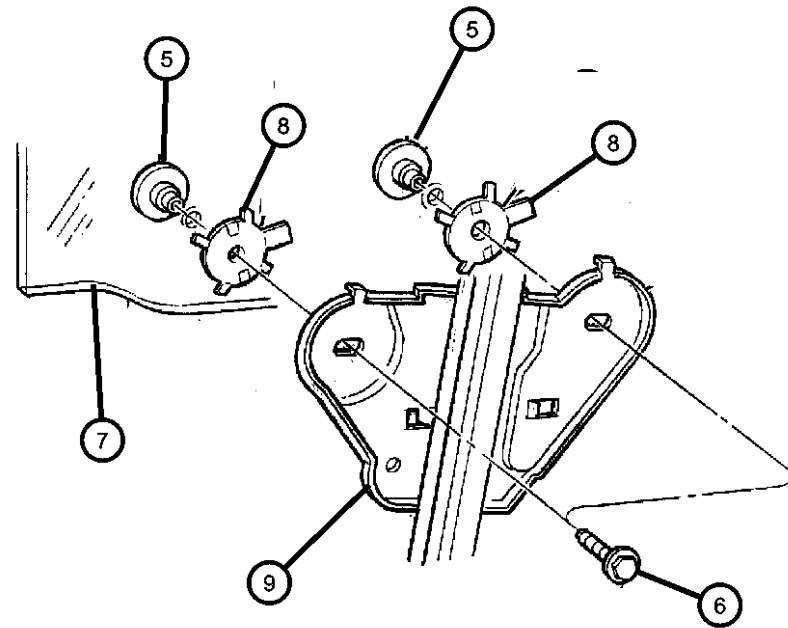
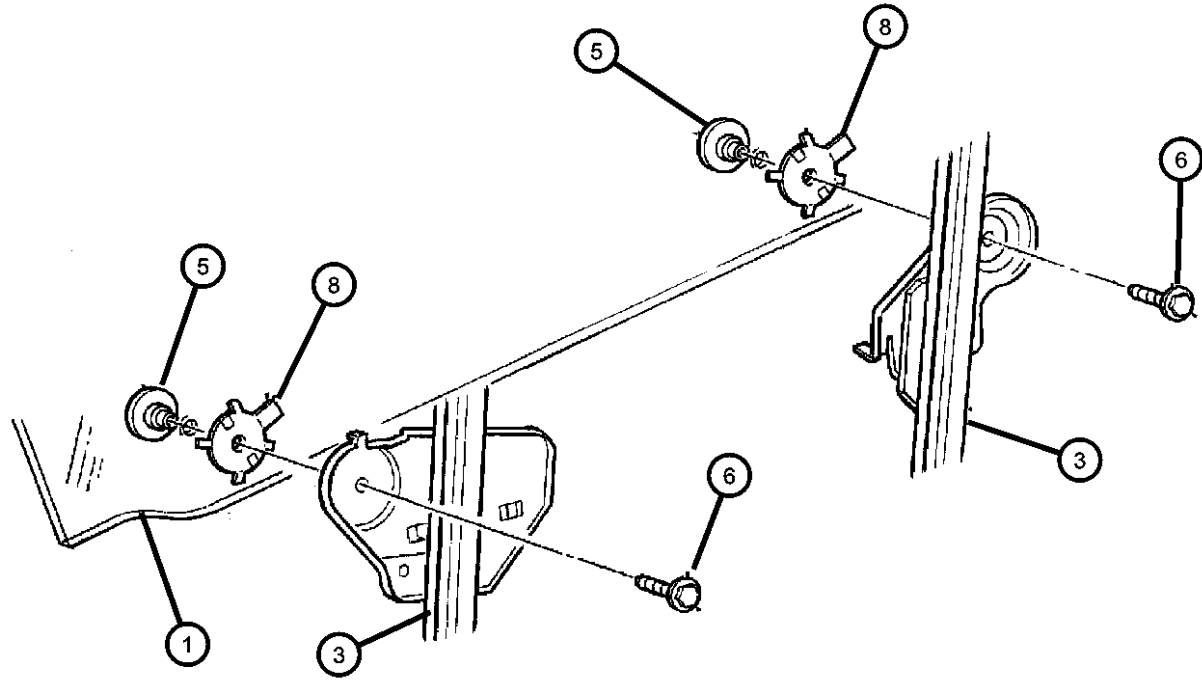
BODY
72 = 2DR (101.4 WB)
74 = 4 DR (101.4 WB)

ENGINE TRANSMISSION
ENC = 2.5L 4 Cyl Turbo Diesel Engine
EPE = Engine - 2.5L Power Tech I-4 Cyl.
ERH = 4.0L Power Tech I-6 Engine
ENO = Engines - ALL 4/5 CYL Turbo Diesel
ERO = Engines - All 4.0L 6 Cyl Gas
EPO = ENGINES - ALL 2.5L 4 CYL GAS
DCB = Transmission - 4-Speed Manual,T3340
DDQ = 5-Speed Manual Transmission
DDX = 5-Speed HD Manual Transmission
DGD = 3-Spd. Automatic 30RH Transmission
DGK = 4-Spd. Automatic 42RE Transmission
DGS = 4-Speed Automatic AW4 Transmission
DGT = 4-Spd. Automatic 46RE Transmission
DGW = TRANSMISSION - 4-SPD. AUTOMATIC,44RE
DGX = 4-Speed Automatic Transmission
DGY = No Description Available
DGZ = Transmission- 4-Spd. Automatic,MT643
DBB = ALL MANUAL TRANSMISSIONS
DGO = TRANSMISSIONS - ALL AUTOMATIC

AR = use ase required - = Non illustrated part

1998 XJ

Door, Front
Figure DXJ-120



ITEM	PART NUMBER	QTY	LINE	SERIES	BODY	ENGINE	TRANS	TRIM	DESCRIPTION
	DD09229GTN								Collision Replacement Glass
8	35026818	4							RETAINER, Glass to Liftplate
9									REGULATOR, Front Door Window
	55076052AE	1			74				Right, Manual Window Regulator
	55076053AE	1			74				Left, Manual Window Regulator
	55154958AG	1			74				Right, Power Window
	55154959AG	1			74				Left, Power Window
-10	55076218	2							SPACER, Door Handle

CHEROKEE (XJ)

SERIES

L = LOWLINE

LINE

B = JEEP - 2WD (RHD)
U = JEEP - 4WD (RHD)
T = LHD - (2WD)
J = JEEP - - LHD (4WD)

BODY

72 = 2DR (101.4 WB)
74 = 4 DR (101.4 WB)

ENGINE

ENC = 2.5L 4 Cyl Turbo Diesel Engine
EPE = Engine - 2.5L Power Tech I-4 Cyl.
ERH = 4.0L Power Tech I-6 Engine
ENO = Engines - ALL 4/5 CYL Turbo Diesel
ERO = Engines - All 4.0L 6 Cyl Gas
EPO = ENGINES - ALL 2.5L 4 CYL GAS

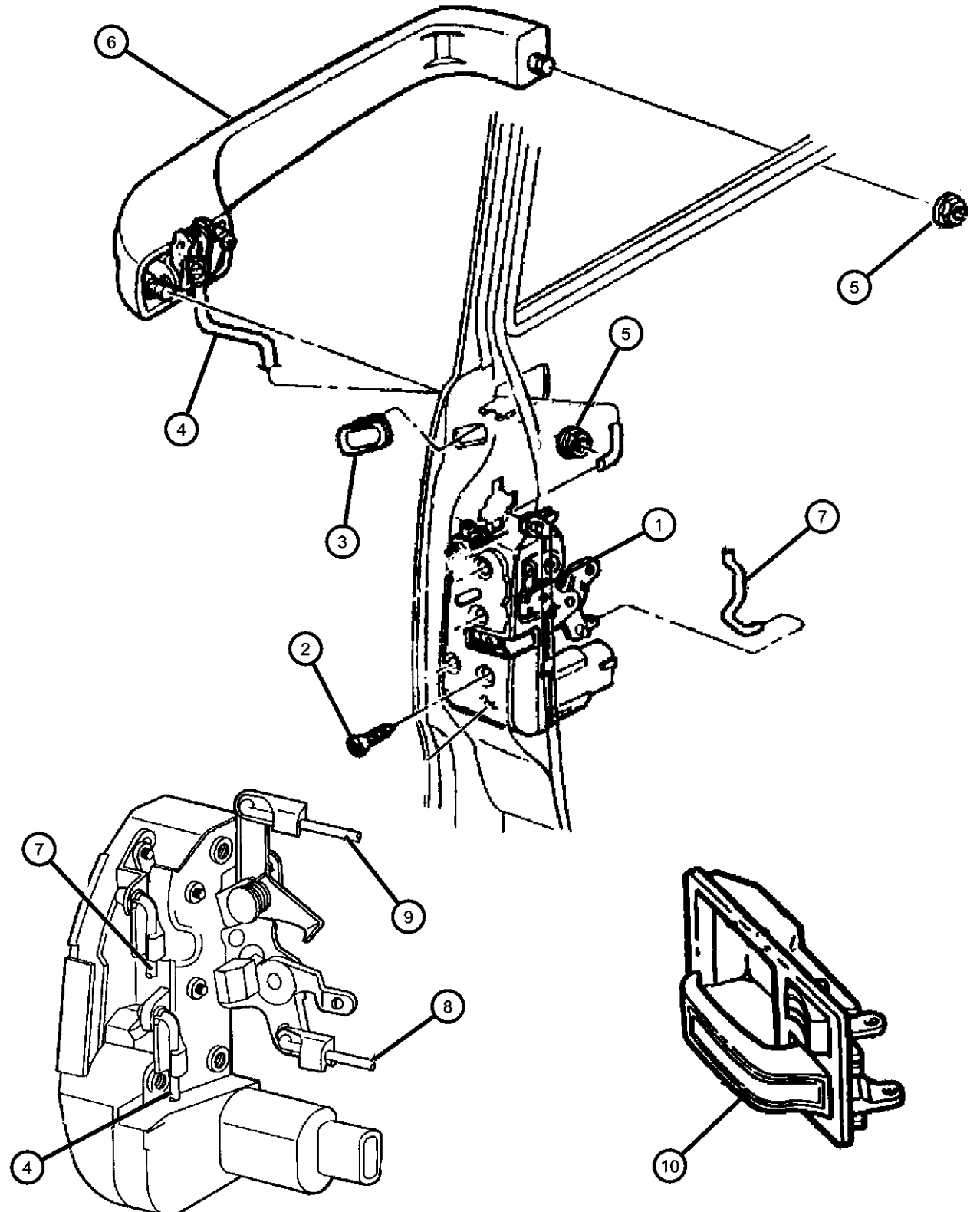
TRANSMISSION

DCB = Transmission - 4-Speed Manual, T3340
DDQ = 5-Speed Manual Transmission
DDX = 5-Speed HD Manual Transmission
DGD = 3-Spd. Automatic 30RH Transmission
DGK = 4-Spd. Automatic 42RE Transmission
DGS = 4-Speed Automatic AW4 Transmission
DGT = 4-Spd. Automatic 46RE Transmission
DGW = TRANSMISSION - 4-SPD. AUTOMATIC, 44RE
DGX = 4-Speed Automatic Transmission
DGY = No Description Available
DGZ = Transmission- 4-Spd. Automatic, MT643
DBB = ALL MANUAL TRANSMISSIONS
DGO = TRANSMISSIONS - ALL AUTOMATIC

AR = use ase required - = Non illustrated part

1998 XJ

Door, Front
Figure DXJ-130



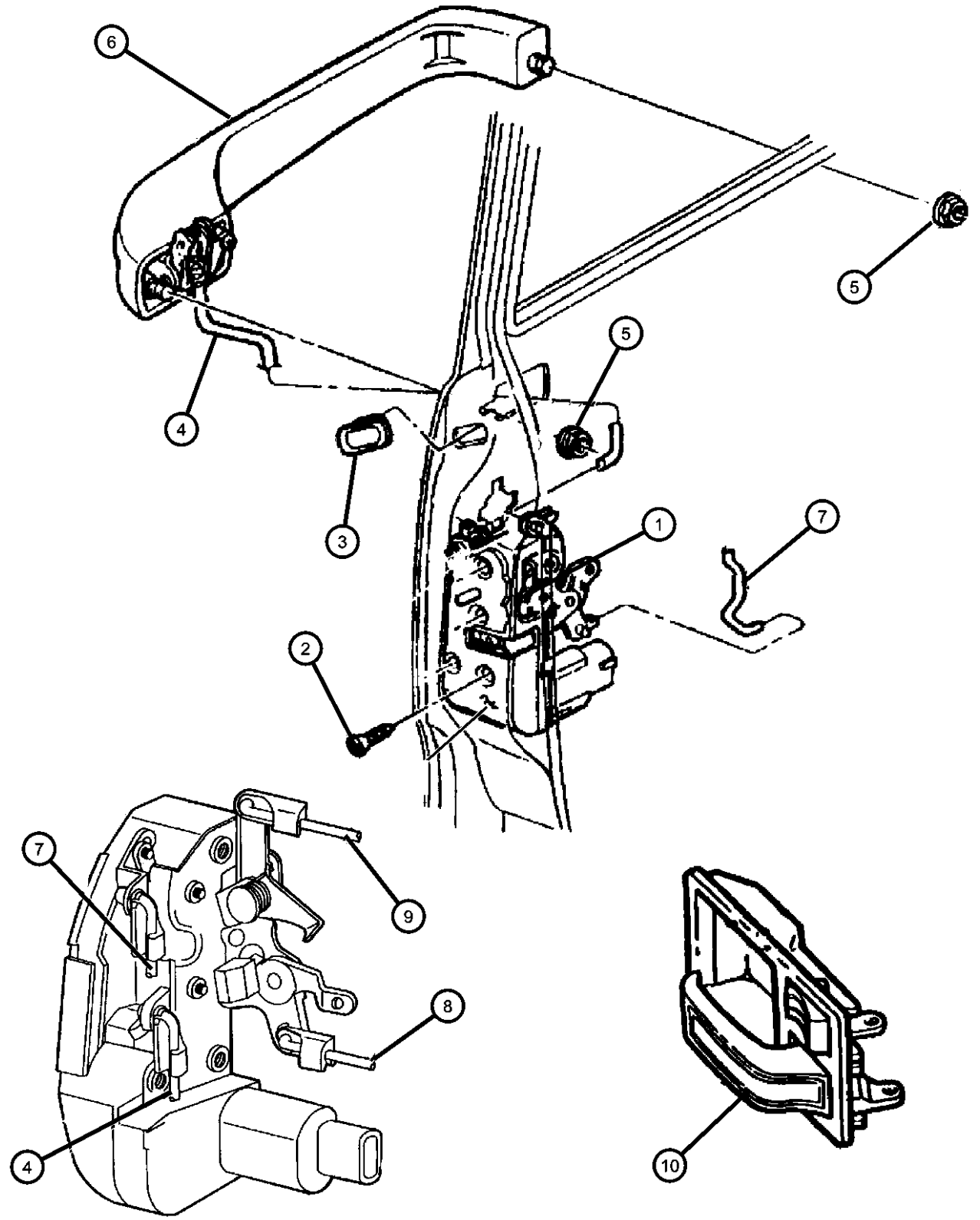
ITEM	PART NUMBER	QTY	LINE	SERIES	BODY	ENGINE	TRANS	TRIM	DESCRIPTION
1	04773636AB	1							LATCH PKG, FRONT DOOR without Power Dr, Locks, Right
	04773637AB	1							without Power Dr, Locks, Left
	04798914AC	1							with Power Dr, Locks, Right
	04798915AC	1							with Power Dr, Locks, Left
2	06033876	6							SCREW, Tapping, M6.3x1.8x38.1
3	55002368	2							PLUG, Door Latch
4									ROD, Outside Handle to Latch
	55076226	1	J, T, U		72				Right
	55076227	1	J, T, U		72				Left
	55235318	1			74				Right
	55235319	1			74				Left
5	06503226	4							NUT, Hex Flange, M5x.8
6									HANDLE, Exterior Door
	55076056AB	1			74				Right
	55076057AB	1			74				Left
7									LINK, Key Cylinder To Latch
	55076046	1	J, T, U		72				Right
	55076047	1	J, T, U		72				Left
	55235326	1			74				Right
	55235327	1			74				Left
8									LINK, Latch Release
	55076040AB	1			74				Right

CHEROKEE (XJ)

SERIES	LINE	BODY	ENGINE	TRANSMISSION
L = LOWLINE	B = JEEP - 2WD (RHD) U = JEEP - 4WD (RHD) T = LHD - (2WD) J = JEEP - - LHD (4WD)	72 = 2DR (101.4 WB) 74 = 4 DR (101.4 WB)	ENC = 2.5L 4 Cyl Turbo Diesel Engine EPE = Engine - 2.5L Power Tech I-4 Cyl. ERH = 4.0L Power Tech I-6 Engine ENO = Engines - ALL 4/5 CYL Turbo Diesel ERO = Engines - All 4.0L 6 Cyl Gas EPO = ENGINES - ALL 2.5L 4 CYL GAS	DCB = Transmission - 4-Speed Manual,T3340 DDQ = 5-Speed Manual Transmission DDX = 5-Speed HD Manual Transmission DGD = 3-Spd. Automatic 30RH Transmission DGK = 4-Spd. Automatic 42RE Transmission DGS = 4-Speed Automatic AW4 Transmission DGT = 4-Spd. Automatic 46RE Transmission DGW = TRANSMISSION - 4-SPD. AUTOMATIC,44RE DGX = 4-Speed Automatic Transmission DGY = No Description Available DGZ = Transmission- 4-Spd. Automatic,MT643 DBB = ALL MANUAL TRANSMISSIONS DGO = TRANSMISSIONS - ALL AUTOMATIC

AR = use ase required - = Non illustrated part

Door, Front
Figure DXJ-130



ITEM	PART NUMBER	QTY	LINE	SERIES	BODY	ENGINE	TRANS	TRIM	DESCRIPTION
	55076041AB	1			74				Left
	55076316AC	1	J, T, U		72				Right
	55076317AC	1	J, T, U		72				Left
9									ROD, Inside Lock to Latch
	55076272AC	1			74				Right
	55076273AC	1			74				Left
	55076320AB	1	J, T, U		72				Right
	55076321AB	1	J, T, U		72				Left
10									HANDLE, Door Interior
	55076054	1			74				Right
		1	J, T		72				Right
	55076055	1			74				Left
		1	J, T		72				Left
-11		1							NUT, M4x.7, 06505449AA, (NOT SERVICED)

CHEROKEE (XJ)

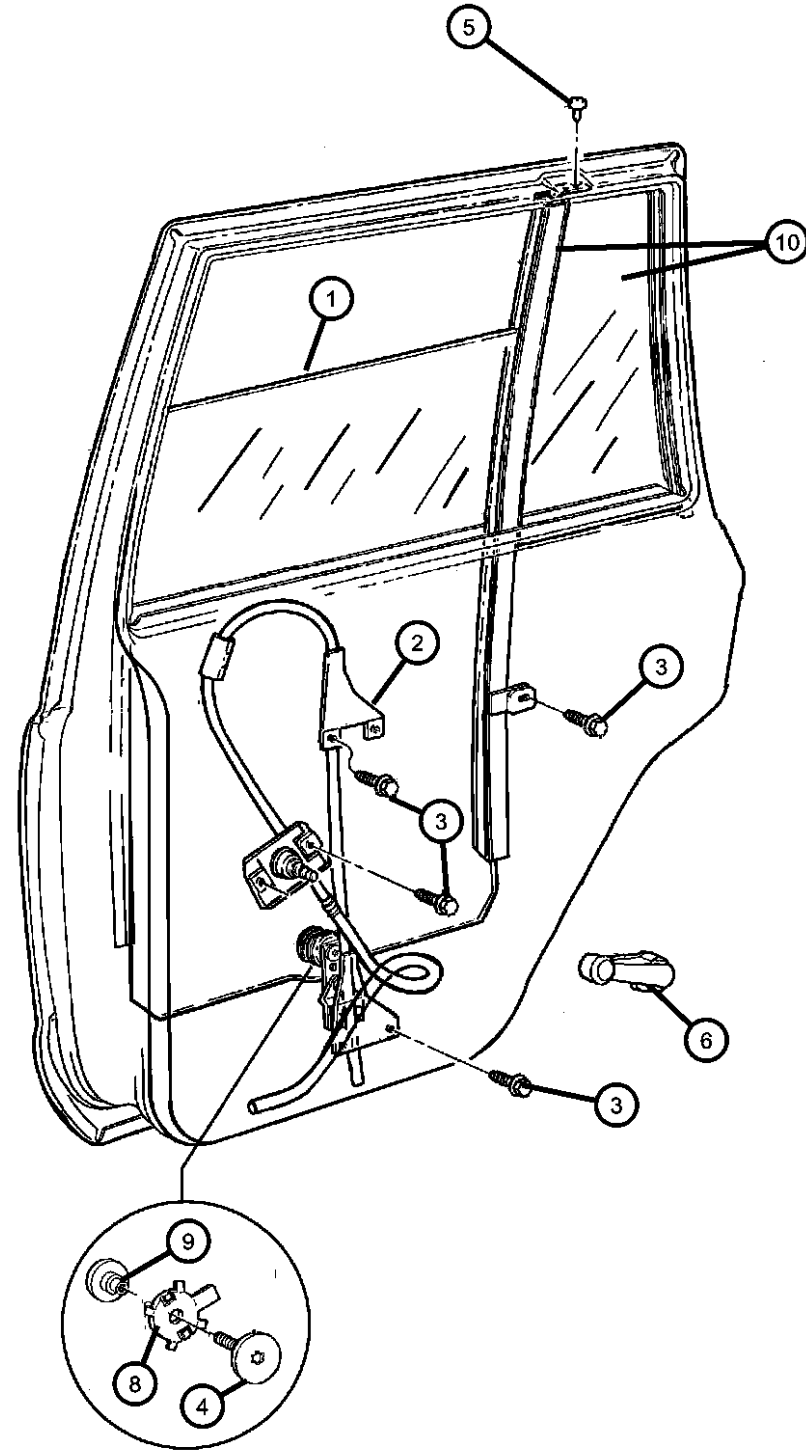
SERIES LINE
 L = LOWLINE B = JEEP - 2WD (RHD)
 U = JEEP - 4WD (RHD)
 T = LHD - (2WD)
 J = JEEP - - LHD (4WD)

BODY
 72 = 2DR (101.4 WB)
 74 = 4 DR (101.4 WB)

ENGINE TRANSMISSION
 ENC = 2.5L 4 Cyl Turbo Diesel Engine DCB = Transmission - 4-Speed Manual,T3340
 EPE = Engine - 2.5L Power Tech I-4 Cyl. DDQ = 5-Speed Manual Transmission
 ERH = 4.0L Power Tech I-6 Engine DDG = 5-Speed HD Manual Transmission
 ENO = Engines - ALL 4/5 CYL Turbo Diesel DGD = 3-Spd. Automatic 30RH Transmission
 ERO = Engines - All 4.0L 6 Cyl Gas DGK = 4-Spd. Automatic 42RE Transmission
 EPO = ENGINES - ALL 2.5L 4 CYL GAS DGS = 4-Speed Automatic AW4 Transmission
 DGT = 4-Spd. Automatic 46RE Transmission
 DGW = TRANSMISSION - 4-SPD. AUTOMATIC,44RE
 DGX = 4-Speed Automatic Transmission
 DGY = No Description Available
 DGZ = Transmission- 4-Spd. Automatic,MT643
 DBB = ALL MANUAL TRANSMISSIONS
 DGO = TRANSMISSIONS - ALL AUTOMATIC

AR = use ase required - = Non illustrated part

Door, Rear
Figure DXJ-220



ITEM	PART NUMBER	QTY	LINE	SERIES	BODY	ENGINE	TRANS	TRIM	DESCRIPTION
1									GLASS, Rear Door
	55000590	1			74				Tinted, Right
	DD06603GTN								Collision Replacement Glass
	55000591	1			74				Tinted, Left
	DD06604GTN								Collision Replacement Glass
	55175066	1			74				Privacy, Right
	DD08680YPN								Collision Replacement Glass
	55175067	1			74				Privacy, Left
	DD08681YPN								Collision Replacement Glass
2									REGULATOR, Rear Door Window
	55076292AC	1			74				Right, Manual Window Regulator
	55076293AC	1			74				Left, Manual Window Regulator
	55154960AE	1			74				Right, Power Window
	55154961AE	1			74				Left, Power Window
3	06504357	2			74				SCREW AND WASHER, Hex Head, M6x1x12
4	55154752	2			74				SCREW FASTNER, Glass To Regulator, M6
5	55154752	2							SCREW, (NOT SERVICED)
6									HANDLE, Window Regulator
	0FW80SC3	2			74				Grey
	0FW80TT6	2			74				Spice
-7	11500654	2			74				NUT, U Multi Thread, M4 x .70 x 17.00
8	04415943	4							RETAINER, Glass to Liftplate

CHEROKEE (XJ)

SERIES LINE
 L = LOWLINE B = JEEP - 2WD (RHD)
 U = JEEP - 4WD (RHD)
 T = LHD - (2WD)
 J = JEEP - - LHD (4WD)

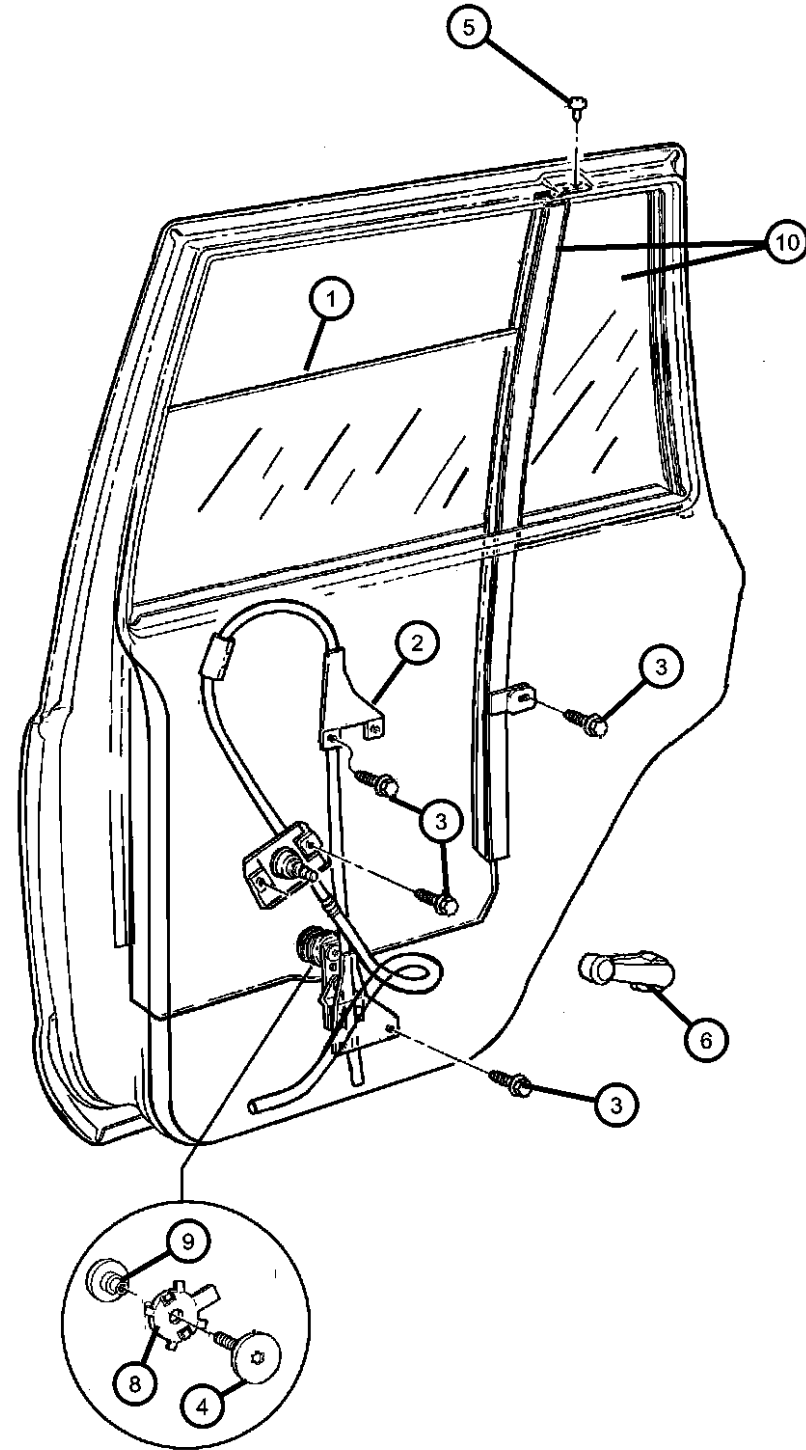
BODY
 72 = 2DR (101.4 WB)
 74 = 4 DR (101.4 WB)

ENGINE TRANSMISSION
 ENC = 2.5L 4 Cyl Turbo Diesel Engine
 EPE = Engine - 2.5L Power Tech I-4 Cyl.
 ERH = 4.0L Power Tech I-6 Engine
 ENO = Engines - ALL 4/5 CYL Turbo Diesel
 ERO = Engines - All 4.0L 6 Cyl Gas
 EPO = ENGINES - ALL 2.5L 4 CYL GAS
 DCB = Transmission - 4-Speed Manual, T3340
 DDQ = 5-Speed Manual Transmission
 DDX = 5-Speed HD Manual Transmission
 DGD = 3-Spd. Automatic 30RH Transmission
 DGK = 4-Spd. Automatic 42RE Transmission
 DGS = 4-Speed Automatic AW4 Transmission
 DGT = 4-Spd. Automatic 46RE Transmission
 DGW = TRANSMISSION - 4-SPD. AUTOMATIC, 44RE
 DGX = 4-Speed Automatic Transmission
 DGY = No Description Available
 DGZ = Transmission- 4-Spd. Automatic, MT643
 DBB = ALL MANUAL TRANSMISSIONS
 DGO = TRANSMISSIONS - ALL AUTOMATIC

AR = use ase required - = Non illustrated part

1998 XJ

Door, Rear
Figure DXJ-220



ITEM	PART NUMBER	QTY	LINE	SERIES	BODY	ENGINE	TRANS	TRIM	DESCRIPTION
9	35026818	2			74				RETAINER, Glass to Liftplate
10									GLASS, Rear Door
	55235562	1			74				Privacy, Right
	55235563	1			74				Privacy, Left
	55235564	1			74				Tinted, Right
	55235565	1			74				Tinted, Left

CHEROKEE (XJ)

SERIES LINE
 L = LOWLINE B = JEEP - 2WD (RHD)
 U = JEEP - 4WD (RHD)
 T = LHD - (2WD)
 J = JEEP - - LHD (4WD)

BODY
 72 = 2DR (101.4 WB)
 74 = 4 DR (101.4 WB)

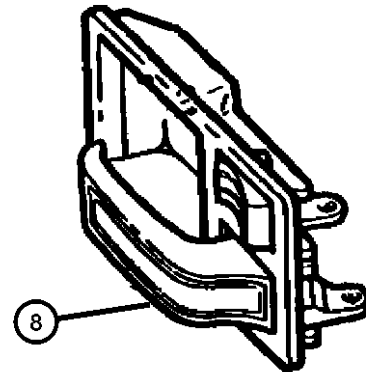
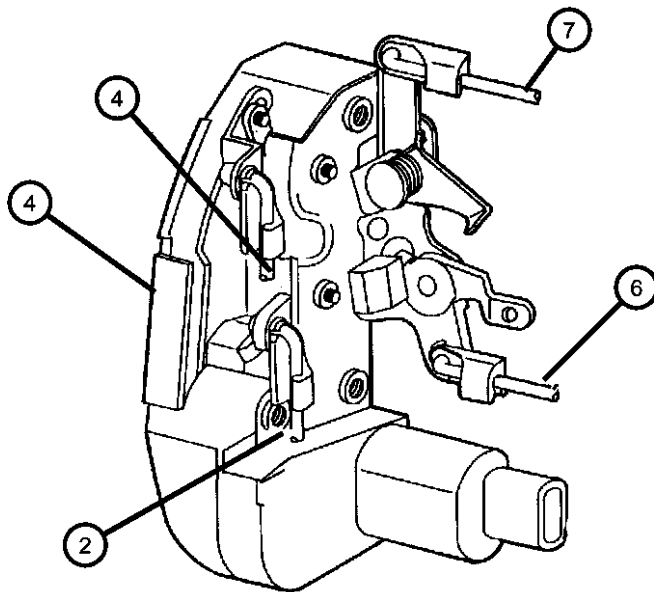
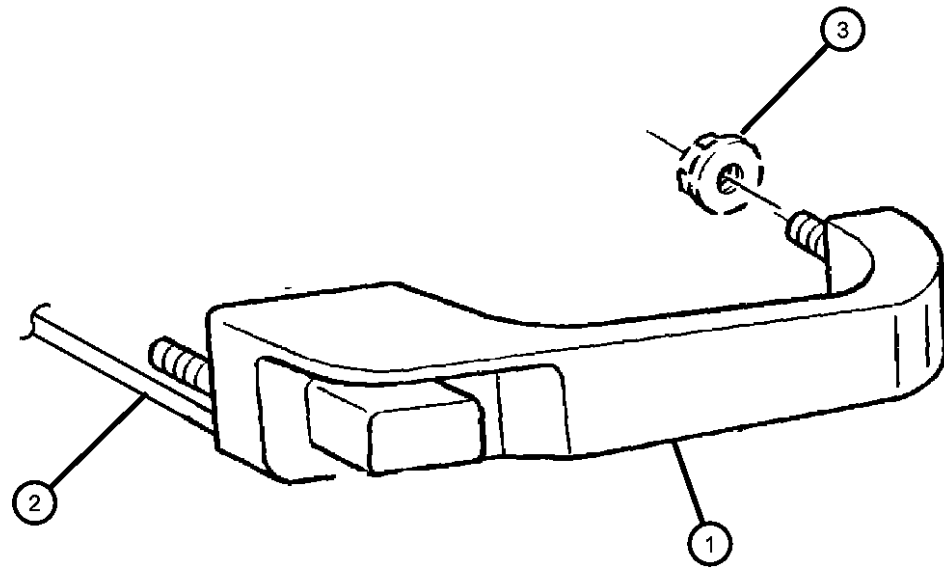
ENGINE TRANSMISSION
 ENC = 2.5L 4 Cyl Turbo Diesel Engine DCB = Transmission - 4-Speed Manual,T3340
 EPE = Engine - 2.5L Power Tech I-4 Cyl. DDQ = 5-Speed Manual Transmission
 ERH = 4.0L Power Tech I-6 Engine DDX = 5-Speed HD Manual Transmission
 ENO = Engines - ALL 4/5 CYL Turbo Diesel DGD = 3-Spd. Automatic 30RH Transmission
 ERO = Engines - All 4.0L 6 Cyl Gas DGK = 4-Spd. Automatic 42RE Transmission
 EPO = ENGINES - ALL 2.5L 4 CYL GAS DGS = 4-Speed Automatic AW4 Transmission
 DGT = 4-Spd. Automatic 46RE Transmission
 DGW = TRANSMISSION - 4-SPD. AUTOMATIC,44RE
 DGX = 4-Speed Automatic Transmission
 DGY = No Description Available
 DGZ = Transmission- 4-Spd. Automatic,MT643
 DBB = ALL MANUAL TRANSMISSIONS
 DGO = TRANSMISSIONS - ALL AUTOMATIC

AR = use ase required - = Non illustrated part

1998 XJ

Door, Rear
Figure DXJ-230

ITEM	PART NUMBER	QTY	LINE	SERIES	BODY	ENGINE	TRANS	TRIM	DESCRIPTION
-9	04520288	2			74				STRIKER, Door Latch
-10	06503120	4			74				SCREW AND WASHER, Button Head Torx



CHEROKEE (XJ)

SERIES LINE
L = LOWLINE B = JEEP - 2WD (RHD)
U = JEEP - 4WD (RHD)
T = LHD - (2WD)
J = JEEP - - LHD (4WD)

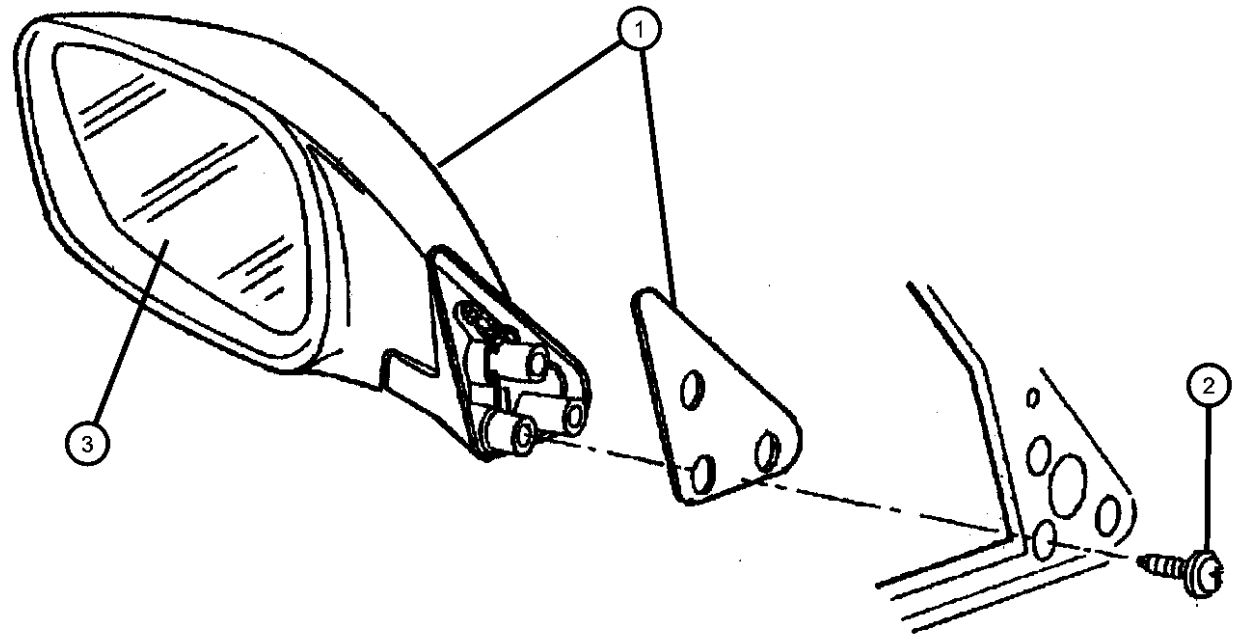
BODY
72 = 2DR (101.4 WB)
74 = 4 DR (101.4 WB)

ENGINE TRANSMISSION
ENC = 2.5L 4 Cyl Turbo Diesel Engine DCB = Transmission - 4-Speed Manual,T3340
EPE = Engine - 2.5L Power Tech I-4 Cyl. DDQ = 5-Speed Manual Transmission
ERH = 4.0L Power Tech I-6 Engine DDX = 5-Speed HD Manual Transmission
DGD = 3-Spd. Automatic 30RH Transmission
ENO = Engines - ALL 4/5 CYL Turbo Diesel DGK = 4-Spd. Automatic 42RE Transmission
ERO = Engines - All 4.0L 6 Cyl Gas DGS = 4-Speed Automatic AW4 Transmission
EPO = ENGINES - ALL 2.5L 4 CYL GAS DGT = 4-Spd. Automatic 46RE Transmission
DGY = No Description Available
DGZ = Transmission- 4-Spd. Automatic,MT643
DBB = ALL MANUAL TRANSMISSIONS
DGO = TRANSMISSIONS - ALL AUTOMATIC

AR = use ase required - = Non illustrated part

1998 XJ

Mirrors, Exterior
Figure DXJ-510



ITEM	PART NUMBER	QTY	LINE	SERIES	BODY	ENGINE	TRANS	TRIM	DESCRIPTION
1									MIRROR, Outside Rearview
	55154946AC	1	J, T						Black Manual Foldaway, Right
	55154947AC	1	J, T						Black Manual Foldaway, Left
	55154948AC	1							Black Electric Foldaway, Right
	55154949AC	1							Black Electric Foldaway, Left
	55154950AC	1							Electric Heated Foldaway, Right
	55154951AC	1	J, T						Electric Heated Foldaway, Left
	55154952AC	1	B, U						Electric Heated, Right
	55154953AC	1	B, U						Electric Heated, Left
	55155654AC	1	J, T						Manual Gulf Foldaway, Right
	55155655AC	1	J, T						Manual Gulf Foldaway, Left
	55156024AC	1	B, U						Black Manual Remote, Right
	55156025AC	1	B, U						Black Manual Remote, Left
2	J4004648	6							SCREW, Pan Head, .25-20x.620
3									GLASS, Mirror Replacement
	05012210AA	1	J, T						For 55154946AC Mirror, Right
		1							For 55154946AC, 55154948AC Mirror, Right
	05012211AA	1							For 55154947AC, 55154949AC Mirror, Left
	05012212AA	1							For 55154950AC Mirror, Right
	05012213AA	1	J, T						For 55154951AC Mirror, Left
	05012214AA	1	B, U						For 55156024AC Mirror, Right
	05012215AA	1	B, U						For 55156025AC Mirror, Left

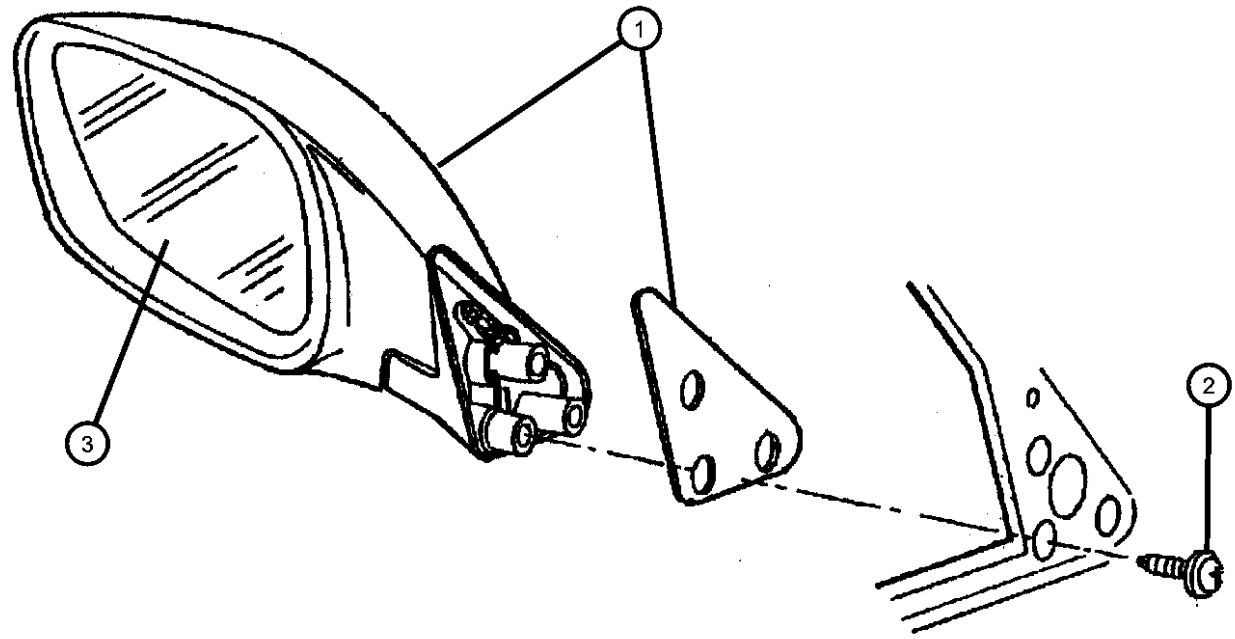
CHEROKEE (XJ)

SERIES	LINE	BODY	ENGINE	TRANSMISSION
L = LOWLINE	B = JEEP - 2WD (RHD) U = JEEP - 4WD (RHD) T = LHD - (2WD) J = JEEP - - LHD (4WD)	72 = 2DR (101.4 WB) 74 = 4 DR (101.4 WB)	ENC = 2.5L 4 Cyl Turbo Diesel Engine EPE = Engine - 2.5L Power Tech I-4 Cyl. ERH = 4.0L Power Tech I-6 Engine ENO = Engines - ALL 4/5 CYL Turbo Diesel ERO = Engines - All 4.0L 6 Cyl Gas EPO = ENGINES - ALL 2.5L 4 CYL GAS	DCB = Transmission - 4-Speed Manual,T3340 DDQ = 5-Speed Manual Transmission DDX = 5-Speed HD Manual Transmission DGD = 3-Spd. Automatic 30RH Transmission DGK = 4-Spd. Automatic 42RE Transmission DGS = 4-Speed Automatic AW4 Transmission DGT = 4-Spd. Automatic 46RE Transmission DGW = TRANSMISSION - 4-SPD. AUTOMATIC,44RE DGX = 4-Speed Automatic Transmission DGY = No Description Available DGZ = Transmission- 4-Spd. Automatic,MT643 DBB = ALL MANUAL TRANSMISSIONS DGO = TRANSMISSIONS - ALL AUTOMATIC

AR = use ase required - = Non illustrated part

Mirrors, Exterior
Figure DXJ-510

ITEM	PART NUMBER	QTY	LINE	SERIES	BODY	ENGINE	TRANS	TRIM	DESCRIPTION
	05012216AA	1	B, U						For 55154952AC Mirror, Right
	05012217AA	1	B, U						For 55154953AC Mirror, Left
	05012218AA	1	B, U						For 55155654AC Mirror, Right
	05012220AA	1	J, T						For 55155655AC Mirror, Right



CHEROKEE (XJ)

SERIES

L = LOWLINE

LINE

B = JEEP - 2WD (RHD)
U = JEEP - 4WD (RHD)
T = LHD - (2WD)
J = JEEP - - LHD (4WD)

BODY

72 = 2DR (101.4 WB)
74 = 4 DR (101.4 WB)

ENGINE

ENC = 2.5L 4 Cyl Turbo Diesel Engine
EPE = Engine - 2.5L Power Tech I-4 Cyl.
ERH = 4.0L Power Tech I-6 Engine
ENO = Engines - ALL 4/5 CYL Turbo Diesel
ERO = Engines - All 4.0L 6 Cyl Gas
EPO = ENGINES - ALL 2.5L 4 CYL GAS

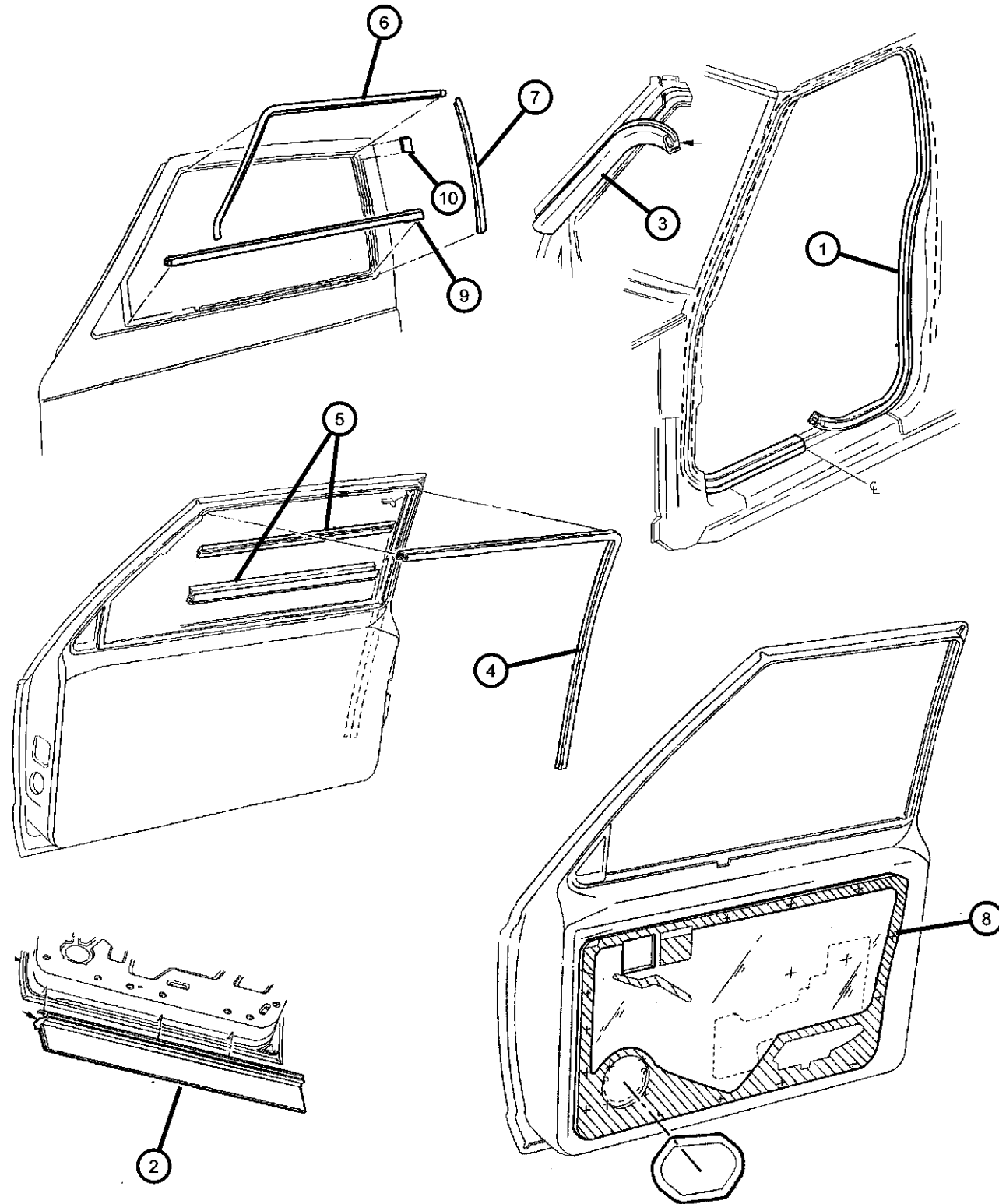
TRANSMISSION

DCB = Transmission - 4-Speed Manual,T3340
DDQ = 5-Speed Manual Transmission
DDX = 5-Speed HD Manual Transmission
DGD = 3-Spd. Automatic 30RH Transmission
DGK = 4-Spd. Automatic 42RE Transmission
DGS = 4-Speed Automatic AW4 Transmission
DGT = 4-Spd. Automatic 46RE Transmission
DGW = TRANSMISSION - 4-SPD. AUTOMATIC,44RE
DGX = 4-Speed Automatic Transmission
DGY = No Description Available
DGZ = Transmission- 4-Spd. Automatic,MT643
DBB = ALL MANUAL TRANSMISSIONS
DGO = TRANSMISSIONS - ALL AUTOMATIC

AR = use ase required - = Non illustrated part

1998 XJ

Door, Front
Figure DXJ-610



ITEM	PART NUMBER	QTY	LINE	SERIES	BODY	ENGINE	TRANS	TRIM	DESCRIPTION
1	55176148	2			74				WEATHERSEAL, Full Door To Body
2	55235410AB	2			74				SEAL, Rocker
3	55175355AC	2							SEAL, Door, Secondary
4									WEATHERSTRIP, Glass Channel Run
	55175352AB	1			74				Right
	55175353AB	1			74				Left
	55175369AC	1	T, U, J		72				Left
	55175368AC	1	J, T, U		72				Right
5									WEATHERSTRIP, Door Belt
	55175358	1			74				Inner, Right
	55175359	1			74				Inner, Left
	55175370	1	J, T, U		72				Inner, Right
	55175371	1	J, T, U		72				Inner, Left
6									MOLDING, Door
	55235898AA	1			74				w/Clips, Right
	55235899AA	1			74				w/Clips, Left
	55235902AA	1	J, T, U		72				w/Clips, Right
	55235903AA	1	J, T, U		72				w/Clips, Left
7									MOLDING, Front Door Frame
	55235778	1							Right
	55235779	1							Left
8									WATERDAM, Front Door

CHEROKEE (XJ)

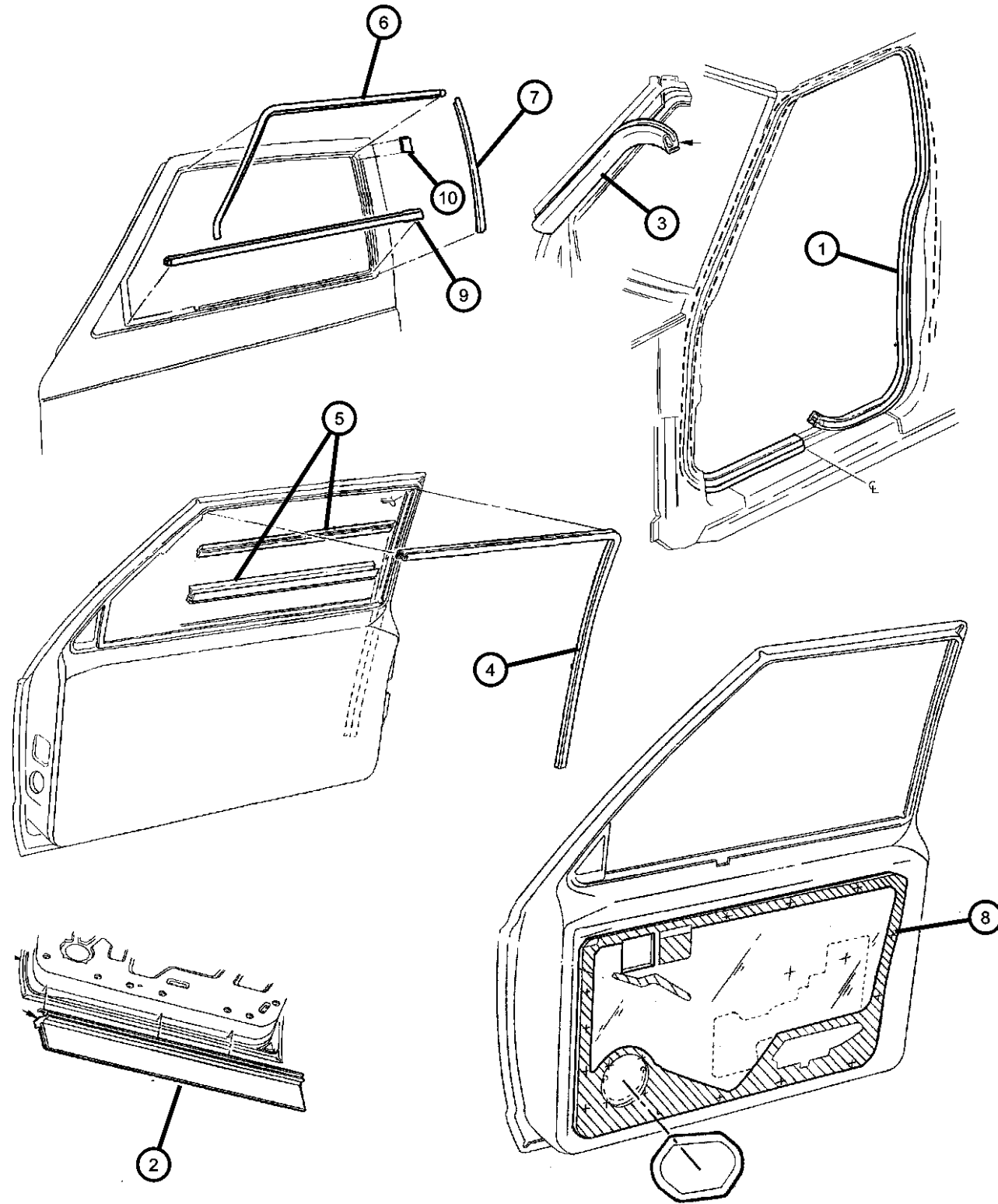
SERIES LINE
 L = LOWLINE B = JEEP - 2WD (RHD)
 U = JEEP - 4WD (RHD)
 T = LHD - (2WD)
 J = JEEP - - LHD (4WD)

BODY
 72 = 2DR (101.4 WB)
 74 = 4 DR (101.4 WB)

ENGINE TRANSMISSION
 ENC = 2.5L 4 Cyl Turbo Diesel Engine
 EPE = Engine - 2.5L Power Tech I-4 Cyl.
 ERH = 4.0L Power Tech I-6 Engine
 ENO = Engines - ALL 4/5 CYL Turbo Diesel
 ERO = Engines - All 4.0L 6 Cyl Gas
 EPO = ENGINES - ALL 2.5L 4 CYL GAS
 DCB = Transmission - 4-Speed Manual,T3340
 DDQ = 5-Speed Manual Transmission
 DDX = 5-Speed HD Manual Transmission
 DGD = 3-Spd. Automatic 30RH Transmission
 DGK = 4-Spd. Automatic 42RE Transmission
 DGS = 4-Speed Automatic AW4 Transmission
 DGT = 4-Spd. Automatic 46RE Transmission
 DGW = TRANSMISSION - 4-SPD. AUTOMATIC,44RE
 DGX = 4-Speed Automatic Transmission
 DGY = No Description Available
 DGZ = Transmission- 4-Spd. Automatic,MT643
 DBB = ALL MANUAL TRANSMISSIONS
 DGO = TRANSMISSIONS - ALL AUTOMATIC

AR = use ase required - = Non illustrated part

Door, Front
Figure DXJ-610



ITEM	PART NUMBER	QTY	LINE	SERIES	BODY	ENGINE	TRANS	TRIM	DESCRIPTION
	55175362AB	1			74				Right
	55175363AB	1			74				Left
9	55175360AB	1			74				WEATHERSTRIP, Door Belt
	55175361AB	1			74				Right
	55175372AB	1	J, T, U		72				Left
	55175373AB	1	J, T, U		72				Right
10	55175373AB	1							Left
									SHIM, (NOT SERVICED)

CHEROKEE (XJ)

SERIES

L = LOWLINE

LINE

B = JEEP - 2WD (RHD)
U = JEEP - 4WD (RHD)
T = LHD - (2WD)
J = JEEP - - LHD (4WD)

BODY

72 = 2DR (101.4 WB)
74 = 4 DR (101.4 WB)

ENGINE

ENC = 2.5L 4 Cyl Turbo Diesel Engine
EPE = Engine - 2.5L Power Tech I-4 Cyl.
ERH = 4.0L Power Tech I-6 Engine
ENO = Engines - ALL 4/5 CYL Turbo Diesel
ERO = Engines - All 4.0L 6 Cyl Gas
EPO = ENGINES - ALL 2.5L 4 CYL GAS

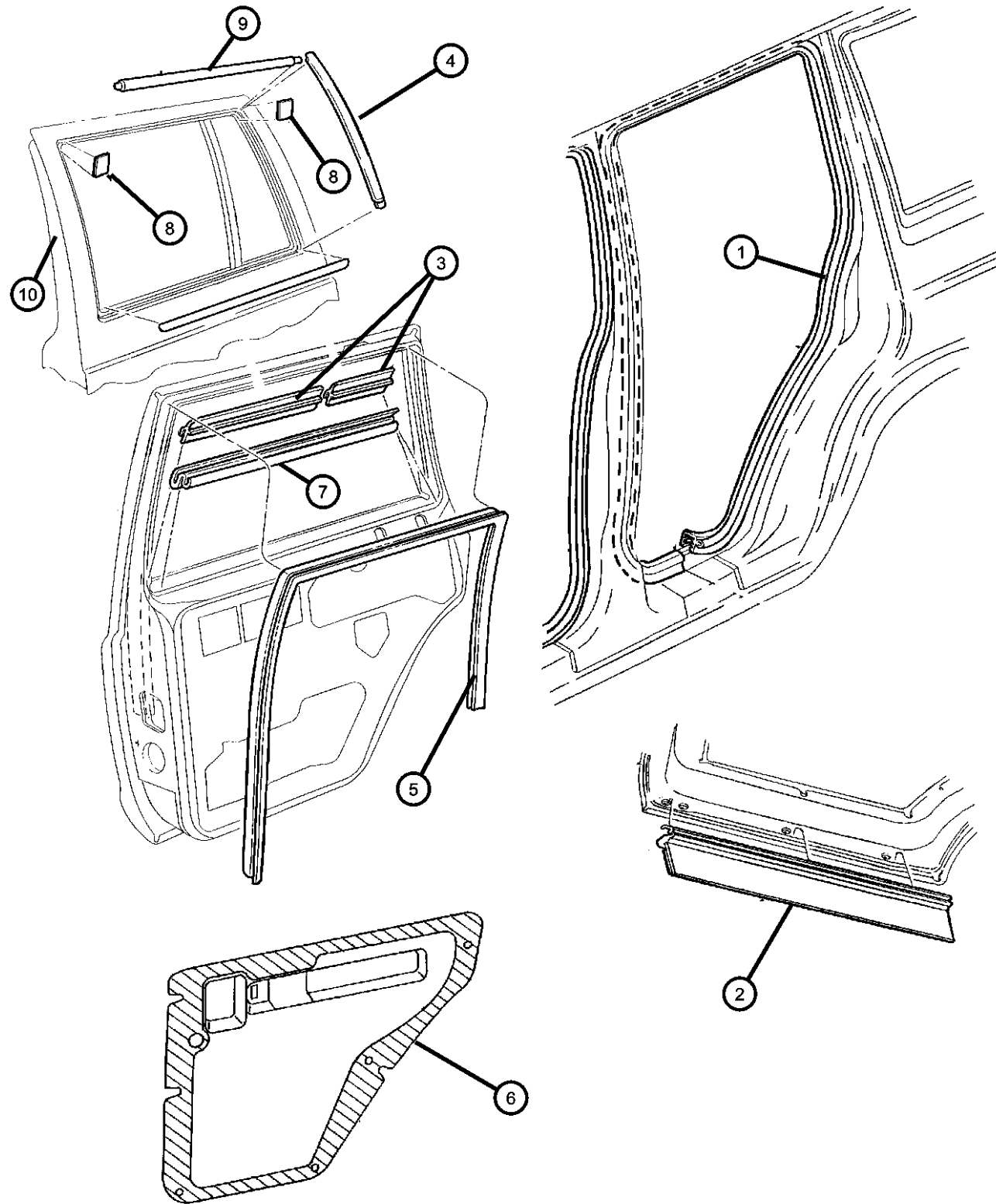
TRANSMISSION

DCB = Transmission - 4-Speed Manual,T3340
DDQ = 5-Speed Manual Transmission
DDX = 5-Speed HD Manual Transmission
DGD = 3-Spd. Automatic 30RH Transmission
DGK = 4-Spd. Automatic 42RE Transmission
DGS = 4-Speed Automatic AW4 Transmission
DGT = 4-Spd. Automatic 46RE Transmission
DGW = TRANSMISSION - 4-SPD. AUTOMATIC,44RE
DGX = 4-Speed Automatic Transmission
DGY = No Description Available
DGZ = Transmission- 4-Spd. Automatic,MT643
DBB = ALL MANUAL TRANSMISSIONS
DGO = TRANSMISSIONS - ALL AUTOMATIC

AR = use ase required - = Non illustrated part

1998 XJ

Door, Rear
Figure DXJ-620



ITEM	PART NUMBER	QTY	LINE	SERIES	BODY	ENGINE	TRANS	TRIM	DESCRIPTION
1	55175351	2			74				WEATHERSEAL, Full Door To Body
2	55235412AB	2			74				SEAL, Rocker
3	55175952AB	2			74				WEATHERSTRIP, BeltOuter
4									MOLDING, Rear Door Frame
	55235780	2			74				Right
	55235781	2			74				Left
5									WEATHERSTRIP, Door Glass Run
	55175356AC	1			74				Right
	55175357AC	1			74				Left
6									WATERDAM, Rear Door
	55235300AB	1	J, T, U		74				Right
	55235301AB	1	J, T, U		74				Left
7	55175948	2			74				WEATHERSTRIP, BeltInner
8	55175948	2			74				SHIM, (NOT SERVICED)
9	55175838	2			74				MOLDING, Rear Door Frame UprUpper
10	55235791AB	2			74				WEATHERSTRIP, B Pillar Secondary

CHEROKEE (XJ)

SERIES LINE
 L = LOWLINE B = JEEP - 2WD (RHD)
 U = JEEP - 4WD (RHD)
 T = LHD - (2WD)
 J = JEEP - - LHD (4WD)

BODY
 72 = 2DR (101.4 WB)
 74 = 4 DR (101.4 WB)

ENGINE TRANSMISSION
 ENC = 2.5L 4 Cyl Turbo Diesel Engine DCB = Transmission - 4-Speed Manual,T3340
 EPE = Engine - 2.5L Power Tech I-4 Cyl. DDQ = 5-Speed Manual Transmission
 ERH = 4.0L Power Tech I-6 Engine DDX = 5-Speed HD Manual Transmission
 ENO = Engines - ALL 4/5 CYL Turbo Diesel DGD = 3-Spd. Automatic 30RH Transmission
 ERO = Engines - All 4.0L 6 Cyl Gas DGK = 4-Spd. Automatic 42RE Transmission
 EPO = ENGINES - ALL 2.5L 4 CYL GAS DGS = 4-Speed Automatic AW4 Transmission
 DGT = 4-Spd. Automatic 46RE Transmission
 DGW = TRANSMISSION - 4-SPD. AUTOMATIC,44RE
 DGX = 4-Speed Automatic Transmission
 DGY = No Description Available
 DGZ = Transmission- 4-Spd. Automatic,MT643
 DBB = ALL MANUAL TRANSMISSIONS
 DGO = TRANSMISSIONS - ALL AUTOMATIC

AR = use ase required - = Non illustrated part

Group - EXJ

Exterior Ornamentation

Group - EXJ Exterior Ornamentation

Illustration Title

Group-Fig. No.

Nameplates

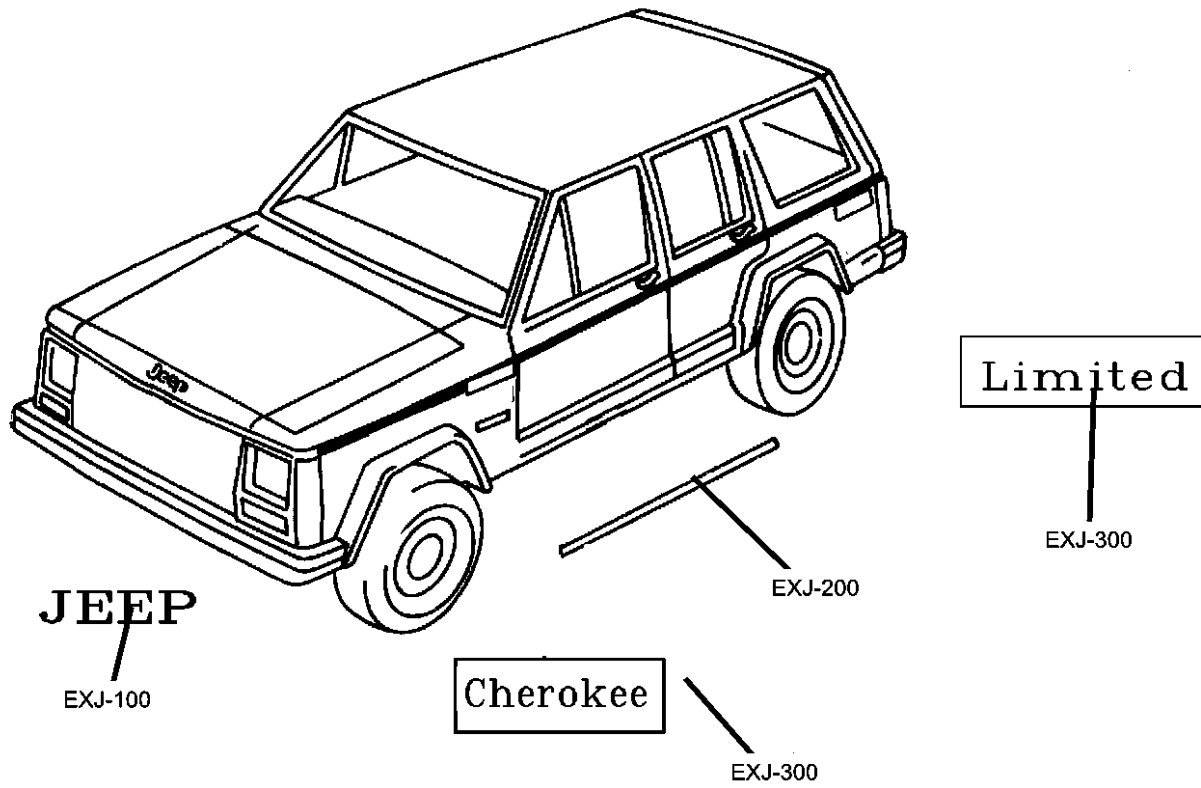
Nameplates Fig. EXJ - 110






Moldings and Ornamentation

Moldings Body Side Fig. EXJ - 215

Decals and Tapestripes

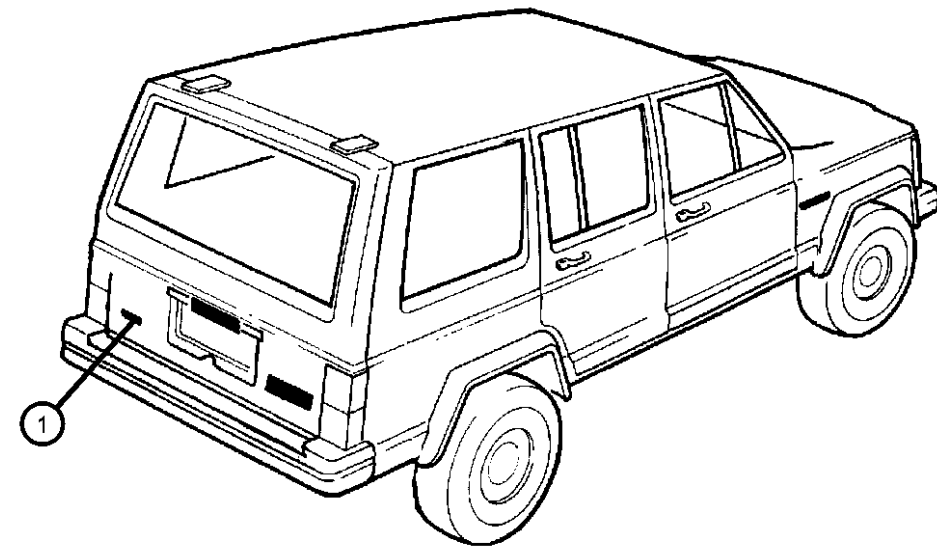
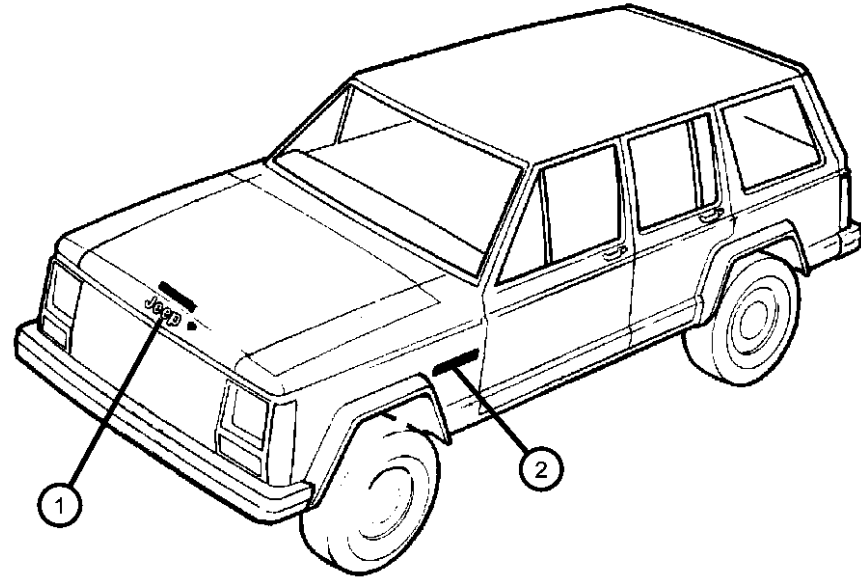
Decals Fig. EXJ - 310



EXJ-100 Nameplates	EXJ-200 Moldings and Ornamentation	EXJ-300 Decals and Tapestripes	
 		 	

**Nameplates
Figure EXJ-110**

ITEM	PART NUMBER	QTY	LINE	SERIES	BODY	ENGINE	TRANS	TRIM	DESCRIPTION
1	5EM87SA1	1							NAMEPLATE, Jeep Silver
	5EM87TD8	1							Quartz
2	5FJ57CA1	2							DECAL, Cherokee Silver
	5FJ57HD8	2							Quartz
-3	5EM91HD8	2							DIMENSIONAL GRAPHIC, Limited Quartz
	5EM91SA1	2							Silver
-4	5GC82CA1AA	2							DIMENSIONAL GRAPHIC, Cherokee Silver
	5GC82HD8AA	2							Quartz



CHEROKEE (XJ)

SERIES

L = LOWLINE

LINE

B = JEEP - 2WD (RHD)
U = JEEP - 4WD (RHD)
T = LHD - (2WD)
J = JEEP - - LHD (4WD)

BODY

72 = 2DR (101.4 WB)
74 = 4 DR (101.4 WB)

ENGINE

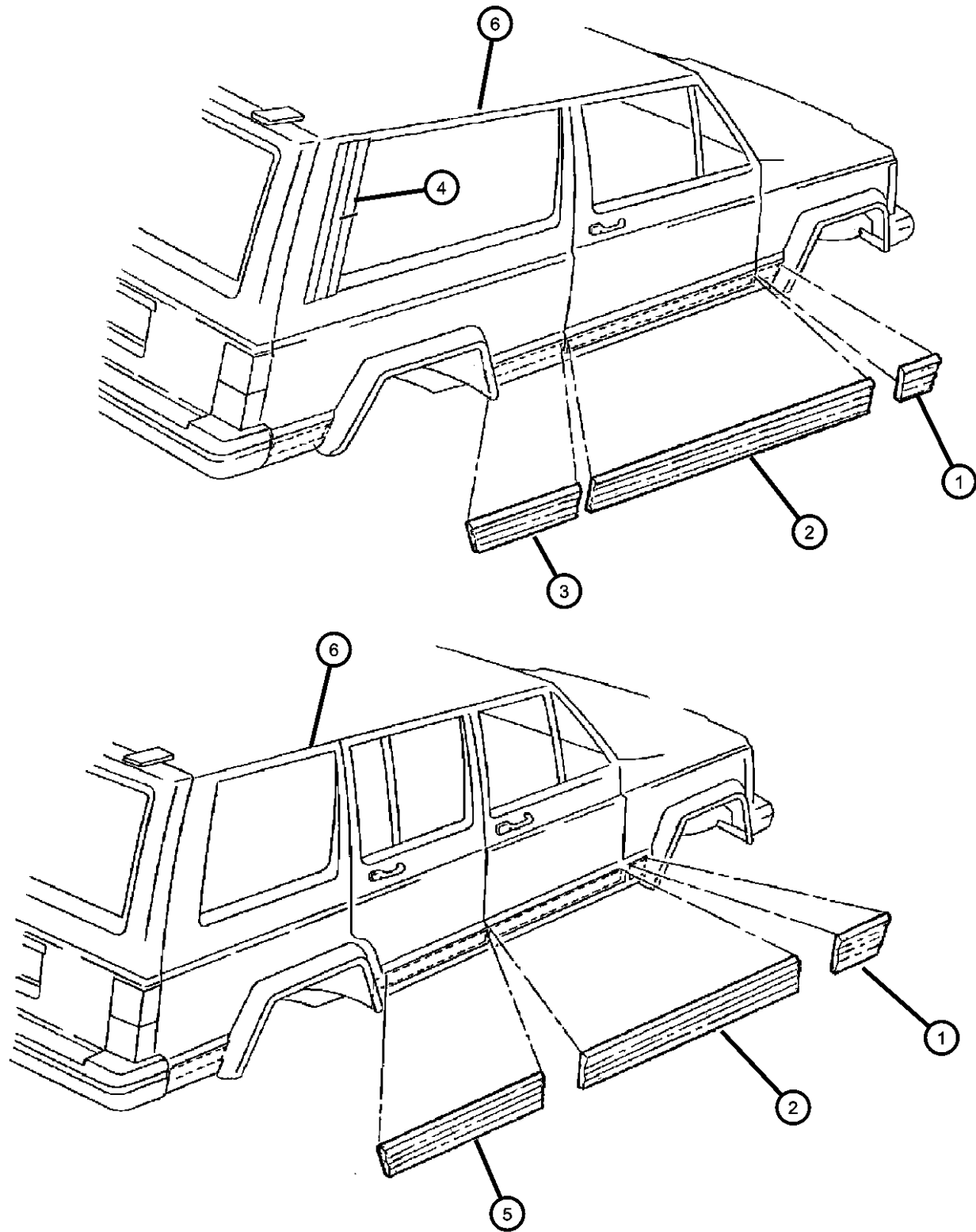
ENC = 2.5L 4 Cyl Turbo Diesel Engine
EPE = Engine - 2.5L Power Tech I-4 Cyl.
ERH = 4.0L Power Tech I-6 Engine
ENO = Engines - ALL 4/5 CYL Turbo Diesel
ERO = Engines - All 4.0L 6 Cyl Gas
EPO = ENGINES - ALL 2.5L 4 CYL GAS

TRANSMISSION

DCB = Transmission - 4-Speed Manual,T3340
DDQ = 5-Speed Manual Transmission
DDX = 5-Speed HD Manual Transmission
DGD = 3-Spd. Automatic 30RH Transmission
DGK = 4-Spd. Automatic 42RE Transmission
DGS = 4-Speed Automatic AW4 Transmission
DGT = 4-Spd. Automatic 46RE Transmission
DGW = TRANSMISSION - 4-SPD. AUTOMATIC,44RE
DGX = 4-Speed Automatic Transmission
DGY = No Description Available
DGZ = Transmission- 4-Spd. Automatic,MT643
DBB = ALL MANUAL TRANSMISSIONS
DGO = TRANSMISSIONS - ALL AUTOMATIC

AR = use ase required - = Non illustrated part

Moldings Body Side
Figure EXJ-215



ITEM	PART NUMBER	QTY	LINE	SERIES	BODY	ENGINE	TRANS	TRIM	DESCRIPTION
1									MOLDING, Fender
	5DY12DX9AB	1							Black w/o Country Package, Right
	5DY13DX9AB	1							Black w/o Country Package, Left
	5EM46DX8AB	1							Black w/Country Package, Right
	5EM46PR4AB	1							Red w/Country Package, Right
	5EM46RJNAB	1							Green w/Country Package, Right
	5EM46SW1AB	1							White w/Country Package, Right
	5EM46TC-NAB	1							Amethyst w/Country Package, Right
	5EM46TQ7AB	1							Aquamarine Blue w/Country Package, Right
	5EM46VEAAB	1							Chilli Pepper Redw/Country Package, Right
	5EM47DX8AB	1							Black w/Country Package, Left
	5EM47PR4AB	1							Red w/Country Package, Left
	5EM47RJNAB	1							Green w/Country Package, Left
	5EM47SW1AB	1							White w/Country Package, Left
	5EM47TC-NAB	1							Amethyst w/Country Package, Left
	5EM47TQ7AB	1							Aquamarine Blue w/Country Package, Left
	5EM47VEAAB	1							Chilli Pepper Redw/Country Package, Left
2									MOLDING, Front Door
	5DY14DX9AB	1	J, T, U		72				Black w/o Country Package, Right

CHEROKEE (XJ)

SERIES LINE
L = LOWLINE B = JEEP - 2WD (RHD)
U = JEEP - 4WD (RHD)
T = LHD - (2WD)
J = JEEP - - LHD (4WD)

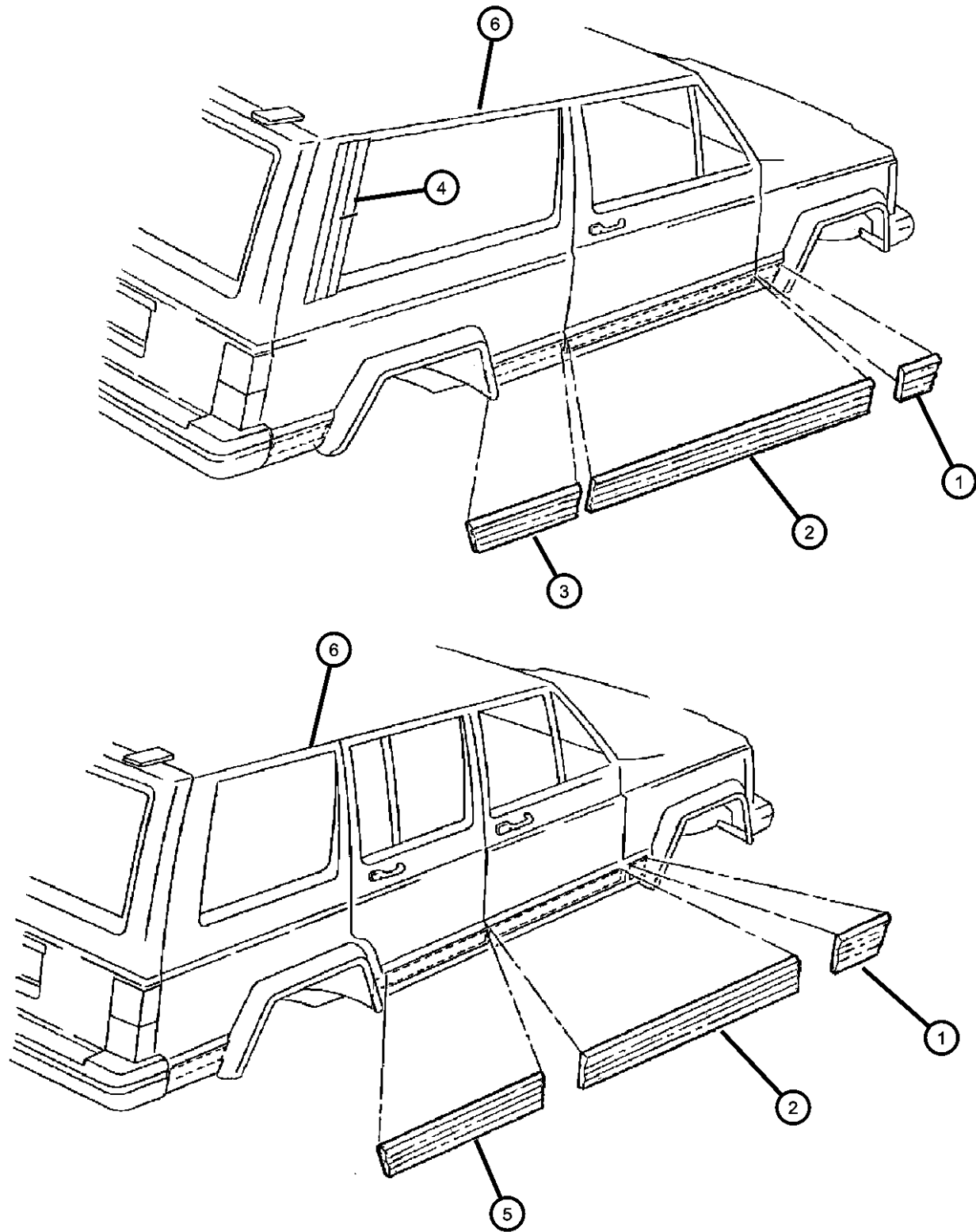
BODY
72 = 2DR (101.4 WB)
74 = 4 DR (101.4 WB)

ENGINE TRANSMISSION
ENC = 2.5L 4 Cyl Turbo Diesel Engine
EPE = Engine - 2.5L Power Tech I-4 Cyl.
ERH = 4.0L Power Tech I-6 Engine
ENO = Engines - ALL 4/5 CYL Turbo Diesel
ERO = Engines - All 4.0L 6 Cyl Gas
EPO = ENGINES - ALL 2.5L 4 CYL GAS
DCB = Transmission - 4-Speed Manual, T3340
DDQ = 5-Speed Manual Transmission
DDX = 5-Speed HD Manual Transmission
DGD = 3-Spd. Automatic 30RH Transmission
DGK = 4-Spd. Automatic 42RE Transmission
DGS = 4-Speed Automatic AW4 Transmission
DGT = 4-Spd. Automatic 46RE Transmission
DGW = TRANSMISSION - 4-SPD. AUTOMATIC, 44RE
DGX = 4-Speed Automatic Transmission
DGY = No Description Available
DGZ = Transmission- 4-Spd. Automatic, MT643
DBB = ALL MANUAL TRANSMISSIONS
DGO = TRANSMISSIONS - ALL AUTOMATIC

AR = use ase required - = Non illustrated part

1998 XJ

Moldings Body Side
Figure EXJ-215



ITEM	PART NUMBER	QTY	LINE	SERIES	BODY	ENGINE	TRANS	TRIM	DESCRIPTION
	5DY15DX9AB	1	J, T, U		72				Black w/o Country Package, Left
	5DY16DX9AB	1			74				Black w/o Country Package, Right
	5DY17DX9AB	1			74				Black w/o Country Package, Left
	5EM56DX8AB	1			74				Black w/Country Package, Right
	5EM56PR4AB	1			74				Red w/Country Package, Right
	5EM56RJNAB	1			74				Green w/Country Package, Right
	5EM56SW1AB	1			74				White w/Country Package, Right
	5EM56TC-NAB	1			74				Amethyst w/Country Package, Right
	5EM56TQ7AB	1			74				Aquamarine Blue w/Country Package, Right
	5EM56VEAAB	1			74				Chilli Pepper Redw/Country Package, Right
	5EM57DX8AB	1			74				Black w/Country Package, Left
	5EM57PR4AB	1			74				Red w/Country Package, Left
	5EM57RJNAB	1			74				Green w/Country Package, Left
	5EM57SW1AB	1			74				White w/Country Package, Left
	5EM57TC-NAB	1			74				Amethyst w/Country Package, Left
	5EM57TQ7AB	1			74				Aquamarine Blue w/Country Package, Left
	5EM57VEAAB	1			74				Chilli Pepper Redw/Country Package, Left
3	5DY26DX9AB	1	J, T, U		72				MOLDING, Quarter Panel Right

CHEROKEE (XJ)

SERIES

L = LOWLINE

LINE

B = JEEP - 2WD (RHD)
U = JEEP - 4WD (RHD)
T = LHD - (2WD)
J = JEEP - - LHD (4WD)

BODY

72 = 2DR (101.4 WB)
74 = 4 DR (101.4 WB)

ENGINE

ENC = 2.5L 4 Cyl Turbo Diesel Engine
EPE = Engine - 2.5L Power Tech I-4 Cyl.
ERH = 4.0L Power Tech I-6 Engine
ENO = Engines - ALL 4/5 CYL Turbo Diesel
ERO = Engines - All 4.0L 6 Cyl Gas
EPO = ENGINES - ALL 2.5L 4 CYL GAS

TRANSMISSION

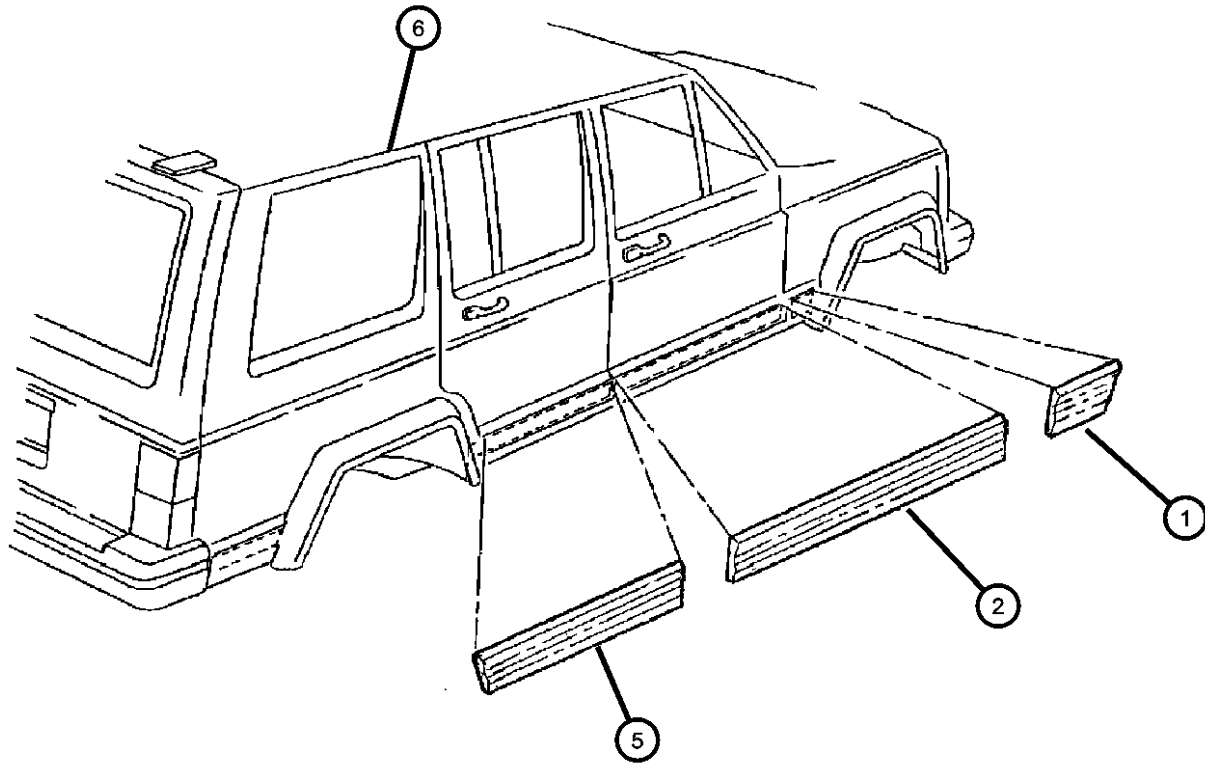
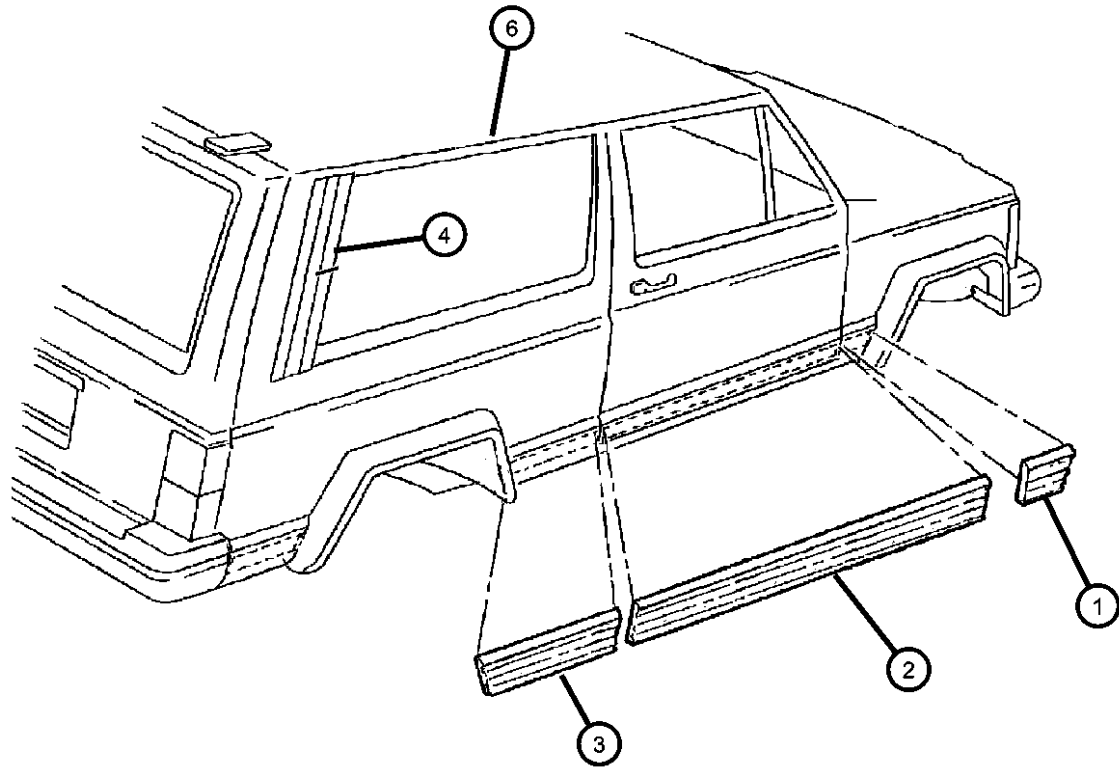
DCB = Transmission - 4-Speed Manual, T3340
DDQ = 5-Speed Manual Transmission
DDX = 5-Speed HD Manual Transmission
DGD = 3-Spd. Automatic 30RH Transmission
DGK = 4-Spd. Automatic 42RE Transmission
DGS = 4-Speed Automatic AW4 Transmission
DGT = 4-Spd. Automatic 46RE Transmission
DGW = TRANSMISSION - 4-SPD. AUTOMATIC, 44RE
DGX = 4-Speed Automatic Transmission
DGY = No Description Available
DGZ = Transmission- 4-Spd. Automatic, MT643
DBB = ALL MANUAL TRANSMISSIONS
DGO = TRANSMISSIONS - ALL AUTOMATIC

AR = use ase required - = Non illustrated part

1998 XJ

Moldings Body Side
Figure EXJ-215

ITEM	PART NUMBER	QTY	LINE	SERIES	BODY	ENGINE	TRANS	TRIM	DESCRIPTION
	5EM59VEAAB	1			74				Chilli Pepper Redw/Country Package, Left
6	55155292	1							MOLDING, Drip Rail
	55155293	1							Right
	55235518	10							Left
									CLIP, Roof Drip Molding



CHEROKEE (XJ)

SERIES LINE
L = LOWLINE B = JEEP - 2WD (RHD)
U = JEEP - 4WD (RHD)
T = LHD - (2WD)
J = JEEP - - LHD (4WD)

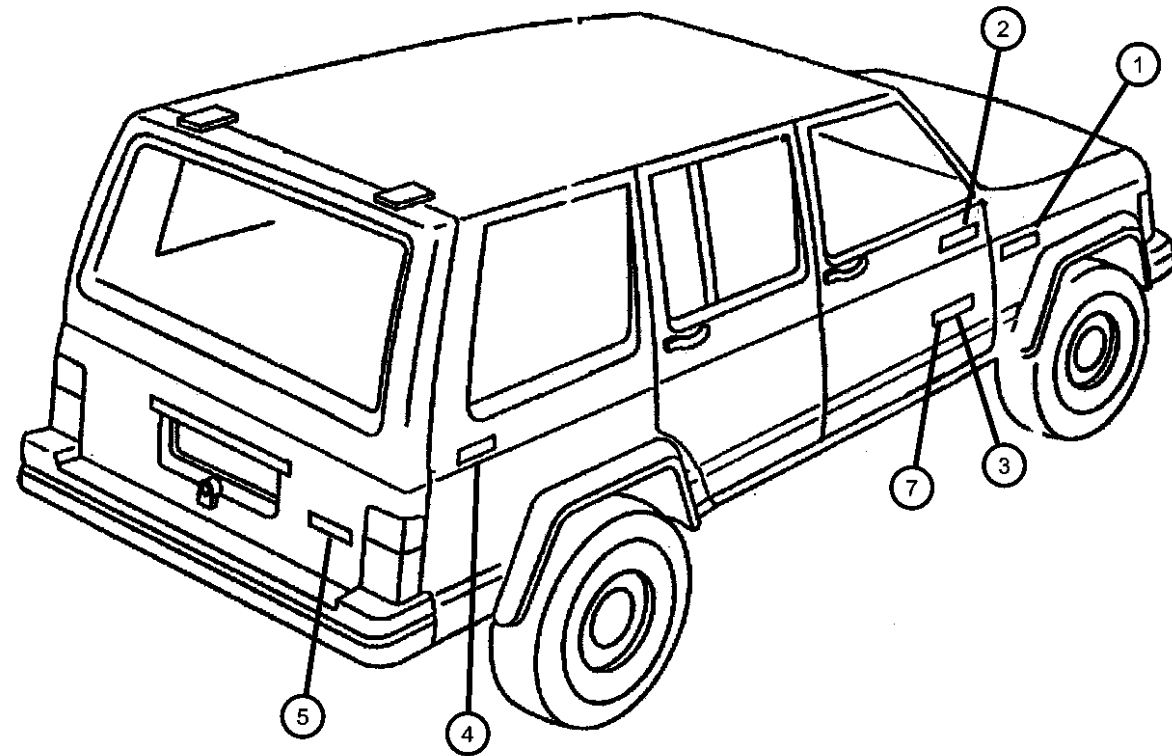
BODY
72 = 2DR (101.4 WB)
74 = 4 DR (101.4 WB)

ENGINE TRANSMISSION
ENC = 2.5L 4 Cyl Turbo Diesel Engine DCB = Transmission - 4-Speed Manual,T3340
EPE = Engine - 2.5L Power Tech I-4 Cyl. DDQ = 5-Speed Manual Transmission
ERH = 4.0L Power Tech I-6 Engine DDX = 5-Speed HD Manual Transmission
ENO = Engines - ALL 4/5 CYL Turbo Diesel DGD = 3-Spd. Automatic 30RH Transmission
ERO = Engines - All 4.0L 6 Cyl Gas DGK = 4-Spd. Automatic 42RE Transmission
EPO = ENGINES - ALL 2.5L 4 CYL GAS DGS = 4-Speed Automatic AW4 Transmission
DGT = 4-Spd. Automatic 46RE Transmission
DGW = TRANSMISSION - 4-SPD. AUTOMATIC,44RE
DGX = 4-Speed Automatic Transmission
DGY = No Description Available
DGZ = Transmission- 4-Spd. Automatic,MT643
DBB = ALL MANUAL TRANSMISSIONS
DGO = TRANSMISSIONS - ALL AUTOMATIC

AR = use ase required - = Non illustrated part

1998 XJ

**Decals
Figure EXJ-310**



ITEM	PART NUMBER	QTY	LINE	SERIES	BODY	ENGINE	TRANS	TRIM	DESCRIPTION
1	5FP50RC4	1							DECAL, Sport Blue, Right
	5FP50SW1	1							White, Right
	5FP51RC4	1							Blue, Left
	5FP51SW1	1							White, Left
2	5DL32MXW	1							DECAL, Country 'Up Country Suspension'
	5FY12CA1AA	2			74				Silver, 'Cherokee Country'
	5FY12HD8AA	2			74				Quartz 'Cherokee Country'
3	5FJ57CA1	2							DECAL, Cherokee Silver
	5FJ57HD8	2							Quartz
4	5FJ61CA1	2	J, U						DECAL, 4 x 4 Silver
	5FJ61HD8	2	J, U						Quartz
5	5FJ64CA1	1							DECAL, 4.0 Litre High Output Silver
	5FJ64HD8	1							Quartz
-6	5FJ65CA1	1							DECAL, Liftgate, Turbo Diesel Silver
	5FJ65HD8	1							Quartz
7									DECAL, Front Door

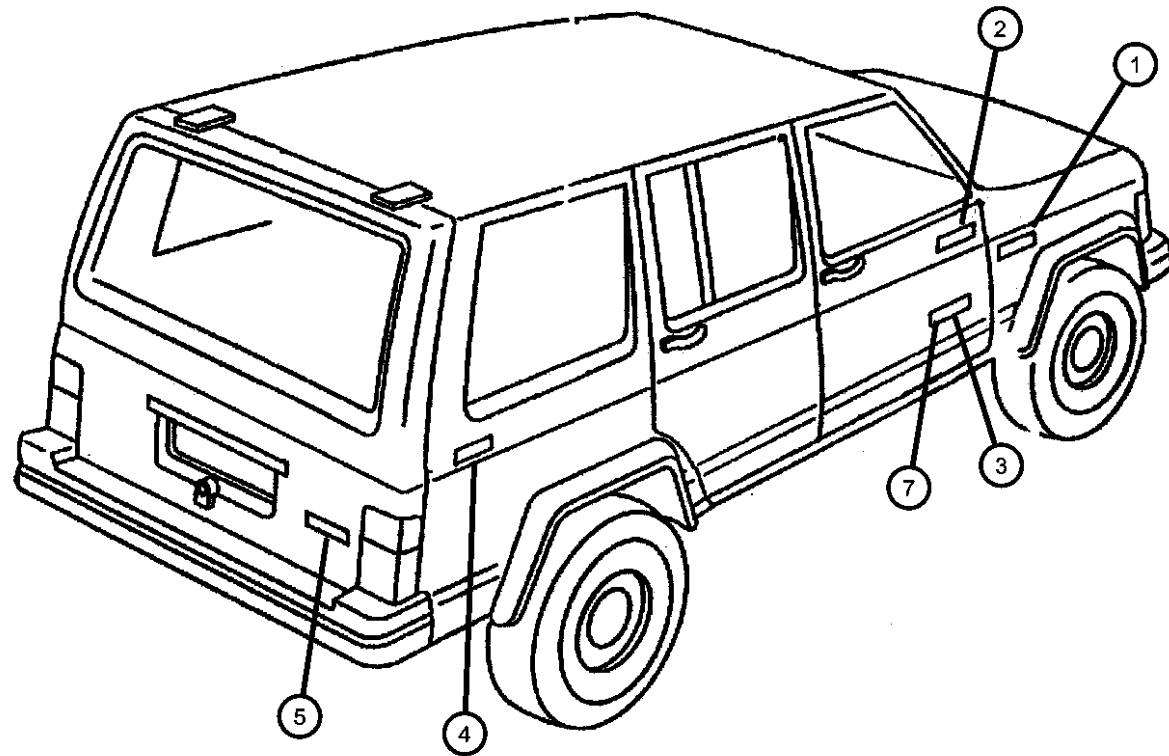
CHEROKEE (XJ)

SERIES	LINE	BODY	ENGINE	TRANSMISSION
L = LOWLINE	B = JEEP - 2WD (RHD) U = JEEP - 4WD (RHD) T = LHD - (2WD) J = JEEP - - LHD (4WD)	72 = 2DR (101.4 WB) 74 = 4 DR (101.4 WB)	ENC = 2.5L 4 Cyl Turbo Diesel Engine EPE = Engine - 2.5L Power Tech I-4 Cyl. ERH = 4.0L Power Tech I-6 Engine ENO = Engines - ALL 4/5 CYL Turbo Diesel ERO = Engines - All 4.0L 6 Cyl Gas EPO = ENGINES - ALL 2.5L 4 CYL GAS	DCB = Transmission - 4-Speed Manual,T3340 DDQ = 5-Speed Manual Transmission DDX = 5-Speed HD Manual Transmission DGD = 3-Spd. Automatic 30RH Transmission DGK = 4-Spd. Automatic 42RE Transmission DGS = 4-Speed Automatic AW4 Transmission DGT = 4-Spd. Automatic 46RE Transmission DGW = TRANSMISSION - 4-SPD. AUTOMATIC,44RE DGX = 4-Speed Automatic Transmission DGY = No Description Available DGZ = Transmission- 4-Spd. Automatic,MT643 DBB = ALL MANUAL TRANSMISSIONS DGO = TRANSMISSIONS - ALL AUTOMATIC

AR = use ase required - = Non illustrated part

Decals
Figure EXJ-310

ITEM	PART NUMBER	QTY	LINE	SERIES	BODY	ENGINE	TRANS	TRIM	DESCRIPTION
	5GD07CA1AA	2							Silver, Cherokee Classic
	5GD07HD8AA	2							Quartz, Cherokee Classic



CHEROKEE (XJ)

SERIES LINE
 L = LOWLINE B = JEEP - 2WD (RHD)
 U = JEEP - 4WD (RHD)
 T = LHD - (2WD)
 J = JEEP - - LHD (4WD)

BODY
 72 = 2DR (101.4 WB)
 74 = 4 DR (101.4 WB)

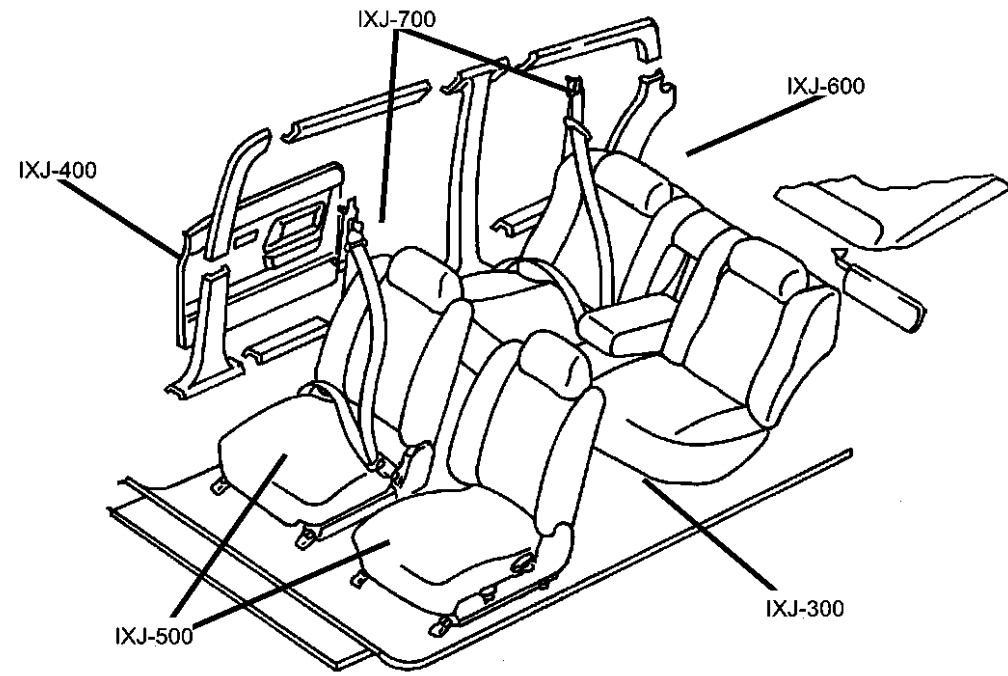
ENGINE TRANSMISSION
 ENC = 2.5L 4 Cyl Turbo Diesel Engine DCB = Transmission - 4-Speed Manual,T3340
 EPE = Engine - 2.5L Power Tech I-4 Cyl. DDQ = 5-Speed Manual Transmission
 ERH = 4.0L Power Tech I-6 Engine DDX = 5-Speed HD Manual Transmission
 ENO = Engines - ALL 4/5 CYL Turbo Diesel DGD = 3-Spd. Automatic 30RH Transmission
 ERO = Engines - All 4.0L 6 Cyl Gas DGK = 4-Spd. Automatic 42RE Transmission
 EP0 = ENGINES - ALL 2.5L 4 CYL GAS DGS = 4-Speed Automatic AW4 Transmission
 DGT = 4-Spd. Automatic 46RE Transmission
 DGW = TRANSMISSION - 4-SPD. AUTOMATIC,44RE
 DGX = 4-Speed Automatic Transmission
 DGY = No Description Available
 DGZ = Transmission- 4-Spd. Automatic,MT643
 DBB = ALL MANUAL TRANSMISSIONS
 DG0 = TRANSMISSIONS - ALL AUTOMATIC

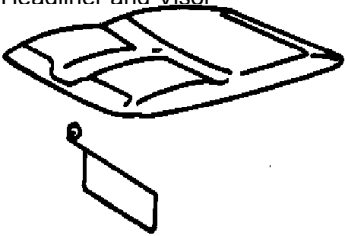
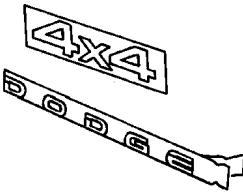
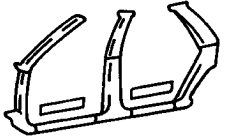
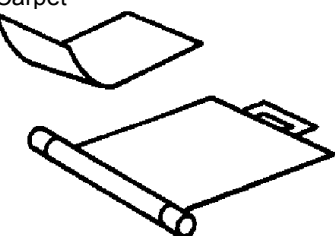
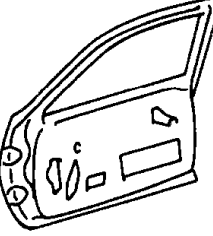
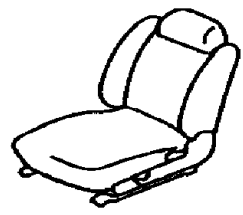
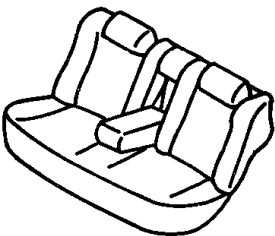
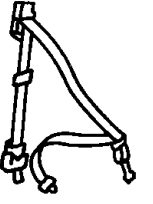
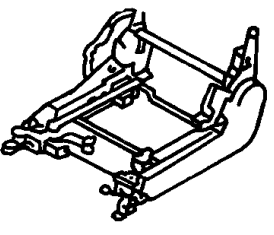
AR = use ase required - = Non illustrated part

1998 XJ

Group - IXJ

Interior Trim

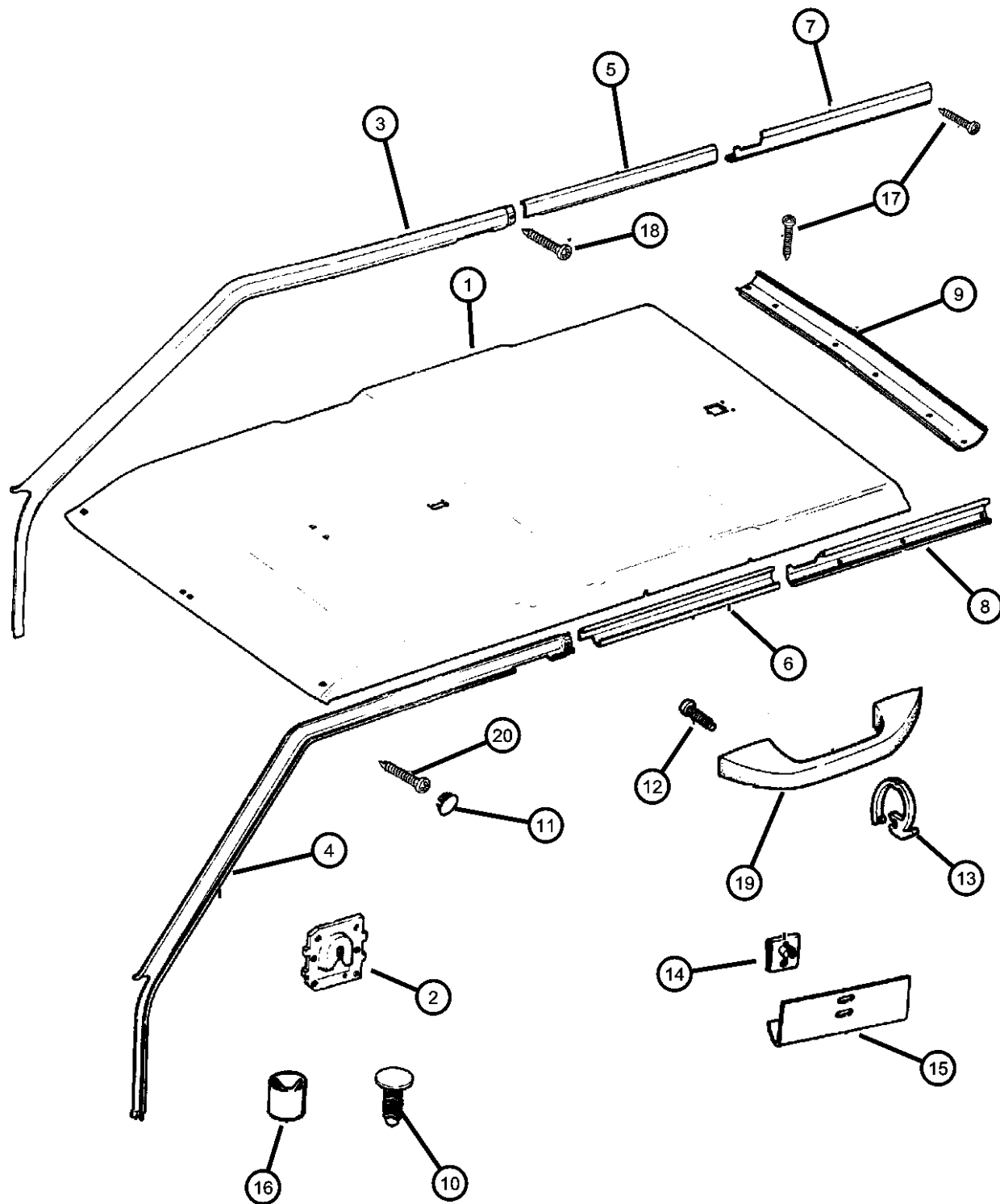


<p>IXJ-100 Headliner and Visor</p> 	<p>IXJ-1000 Lift Gate Trim</p> 	<p>IXJ-200 Moldings, Scuff Plates</p> 	<p>IXJ-300 Carpet</p> 
<p>IXJ-400 Door Trim Panels-Front and Rear</p> 	<p>IXJ-500 Front Seats and Attaching Parts</p> 	<p>IXJ-600 Rear Seats and Attaching Parts</p> 	<p>IXJ-700 Seat Belts-Front and Rear</p> 
<p>IXJ-800 Adjusters, Covers, Shields, and Risers</p> 			

Group - IXJ Interior Trim

Illustration Title	Group-Fig. No.
Headliner and Visor	
Headliner and Upper Trim Moldings	Fig. IXJ - 110
Visors and Vanity Mirrors	Fig. IXJ - 120
Moldings, Scuff Plates	
Panels, Interior Trim, Front	Fig. IXJ - 210
Panels, Interior Trim, Rear	Fig. IXJ - 215
Panels, Interior Trim, Front	Fig. IXJ - 220
Panels, Interior Trim, Rear	Fig. IXJ - 225
Carpet	
Carpets and Mats	Fig. IXJ - 310
Insulation	Fig. IXJ - 320
Cover, Cargo	Fig. IXJ - 330
Door Trim Panels-Front and Rear	
Interior Trim Parts, 2 Door	Fig. IXJ - 410
Interior Trim Parts, 4 Door	Fig. IXJ - 420
Front Seats and Attaching Parts	
Seat Covers and Seat Assemblies	Fig. IXJ - 510
Rear Seats and Attaching Parts	
Frame and Pad	Fig. IXJ - 610
Covers, seat Upholstery	Fig. IXJ - 620
Seat Belts-Front and Rear	
Seat Belts, Front Seat	Fig. IXJ - 710
Seat Belts, Front Seat	Fig. IXJ - 720
Seat Belts, Rear Seats	Fig. IXJ - 730
Adjusters, Covers, Shields, and Risers	
Recliner and Adjuster	Fig. IXJ - 810
Lift Gate Trim	
Liftgate Trim Panel	Fig. IXJ - 1010

Headliner and Upper Trim Moldings Figure IXJ-110



ITEM	PART NUMBER	QTY	LINE	SERIES	BODY	ENGINE	TRANS	TRIM	DESCRIPTION
------	-------------	-----	------	--------	------	--------	-------	------	-------------

P.A.R.= Paint As Required
 Sales Codes:
 [CUN] = Overhead Console
 [LCD] = Lamps Map/Dome Reading
 [LCK] = Lamp Front Dome
 [RCG] = 6 Speakers, Premium Infinity
 [RCR] = 4 Speakers

1	0QB84RC3	1							HEADLINER *00 [C3], With Lamp Front Dome [LCK], Without 6 Speakers Infinity [RCG], Without 4 Speakers [RCR]
	0QB84RT6	1							*00 [T6], With Lamp Front Dome [LCK], Without 6 Speakers Infinity [RCG], Without 4 Speakers [RCR]
	0SF83RC3AA	1							*00 [C3], With Lamp Front Dome [LCK], 6 Speakers Infinity [RCG], 4 Speakers [RCR]
	0SF83RT6AA	1							*00 [T6], With Lamp Front Dome [LCK], 6 Speakers Infinity [RCG], 4 Speakers [RCR]
	0SF86RC3AA	1							*00 [C3], With Lamps Map/Dome Reading [LCD], 6 Speakers Infinity [RCG], 4 Speakers [RCR]
	0SF86RT6AA	1							*00 [T6], With Lamps Map/Dome Reading [LCD], 6 Speakers Infinity [RCG], 4 Speakers [RCR]
	0SF87RC3AA	1							*00 [C3], Overhead Console [CUN]
	0SF87RT6AA	1							*00 [T6], Overhead Console [CUN]

CHEROKEE (XJ)

SERIES	LINE
L = LOWLINE	B = JEEP - 2WD (RHD) U = JEEP - 4WD (RHD) T = LHD - (2WD) J = JEEP - - LHD (4WD)

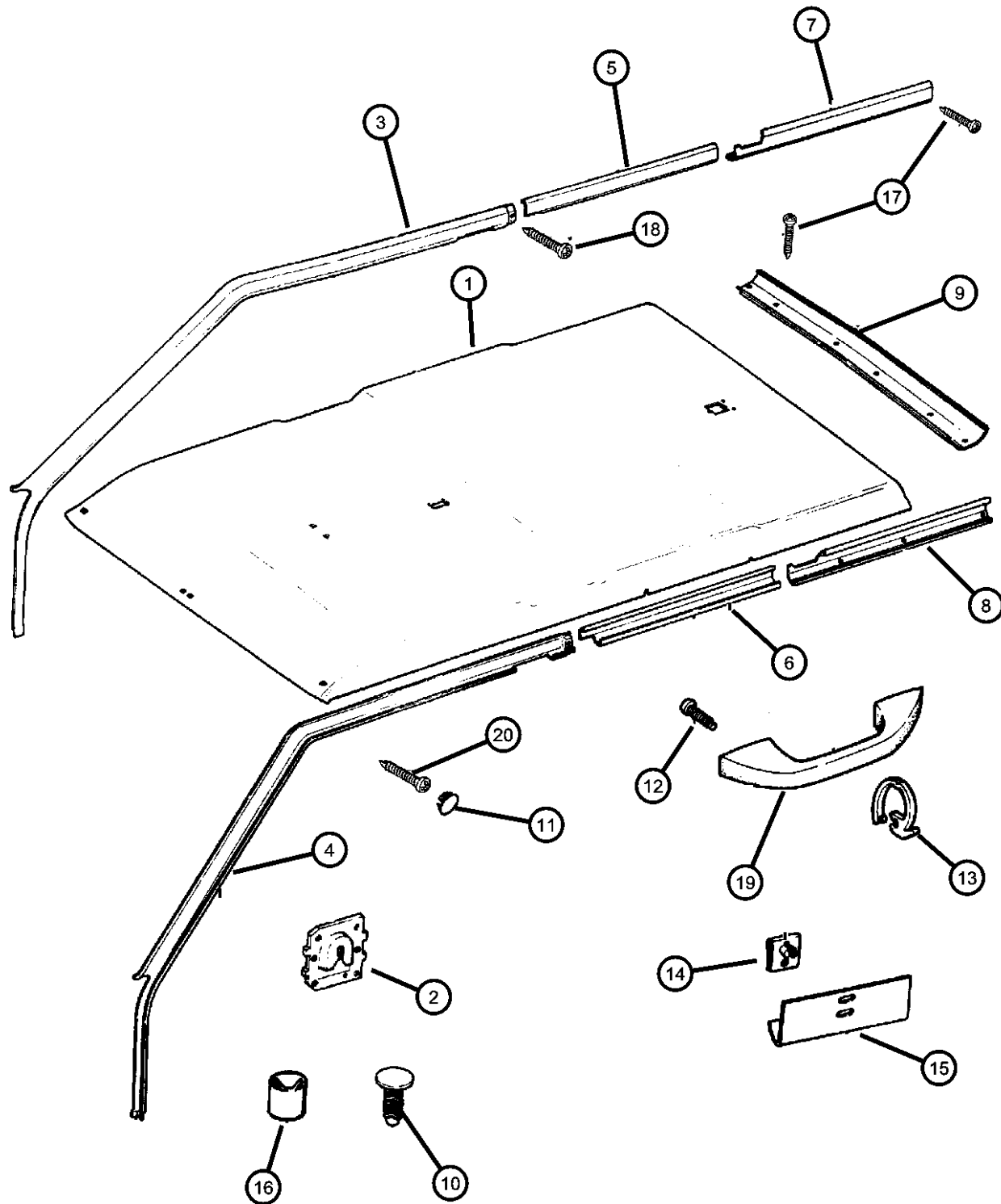
BODY
72 = 2DR (101.4 WB) 74 = 4 DR (101.4 WB)

ENGINE	TRANSMISSION
ENC = 2.5L 4 Cyl Turbo Diesel Engine EPE = Engine - 2.5L Power Tech I-4 Cyl. ERH = 4.0L Power Tech I-6 Engine ENO = Engines - ALL 4/5 CYL Turbo Diesel ERO = Engines - All 4.0L 6 Cyl Gas EPO = ENGINES - ALL 2.5L 4 CYL GAS	DCB = Transmission - 4-Speed Manual,T3340 DDQ = 5-Speed Manual Transmission DDX = 5-Speed HD Manual Transmission DGD = 3-Spd. Automatic 30RH Transmission DGK = 4-Spd. Automatic 42RE Transmission DGS = 4-Speed Automatic AW4 Transmission DGT = 4-Spd. Automatic 46RE Transmission DGW = TRANSMISSION - 4-SPD. AUTOMATIC,44RE DGX = 4-Speed Automatic Transmission DGY = No Description Available DGZ = Transmission- 4-Spd. Automatic,MT643 DBB = ALL MANUAL TRANSMISSIONS DGO = TRANSMISSIONS - ALL AUTOMATIC

AR = use ase required - = Non illustrated part

1998 XJ

Headliner and Upper Trim Moldings
Figure IXJ-110



ITEM	PART NUMBER	QTY	LINE	SERIES	BODY	ENGINE	TRANS	TRIM	DESCRIPTION
8	5AD74TC3	1	J, T, U		72			*O0	P.A.R., Right MOLDING, Headliner
	5AC27TC3	1			74			*O0	P.A.R., Left
9	5AD75TC3	1	J, T, U		72			*O0	Paint As Required, Left MOLDING, Liftgate Upper
	5ER43RC3AC	1						*O0	[C3], Mist Gray
	5ER43RT6AC	1						*O0	[T6], Saddle
10	34201545	2			74				CLIP, Molding
		4	J, T, U		72				
11									PLUG, Button
	0AW91TC3	4						*O0	[C3], Mist Gray
	0AW91TT6	4						*O0	[T6], Saddle
12									SCREW, Pan Head Torx, M5x0.8x30.00
	34202189	6	J, T						
		8	B, U						
13	5AD91TC3	2						*O0	HOOK, Coat, P.A.R.
14	J4000322	1							CLIP, U Type, .625x.719x.020
15	J3681225	1							CLIP, Headliner Mounting
16	55002520	2	J, T, U		72				SPACER, Headliner Molding Rear
17	55002520	2							SCREW, .164-18x.75, (NOT SERVICED)

CHEROKEE (XJ)

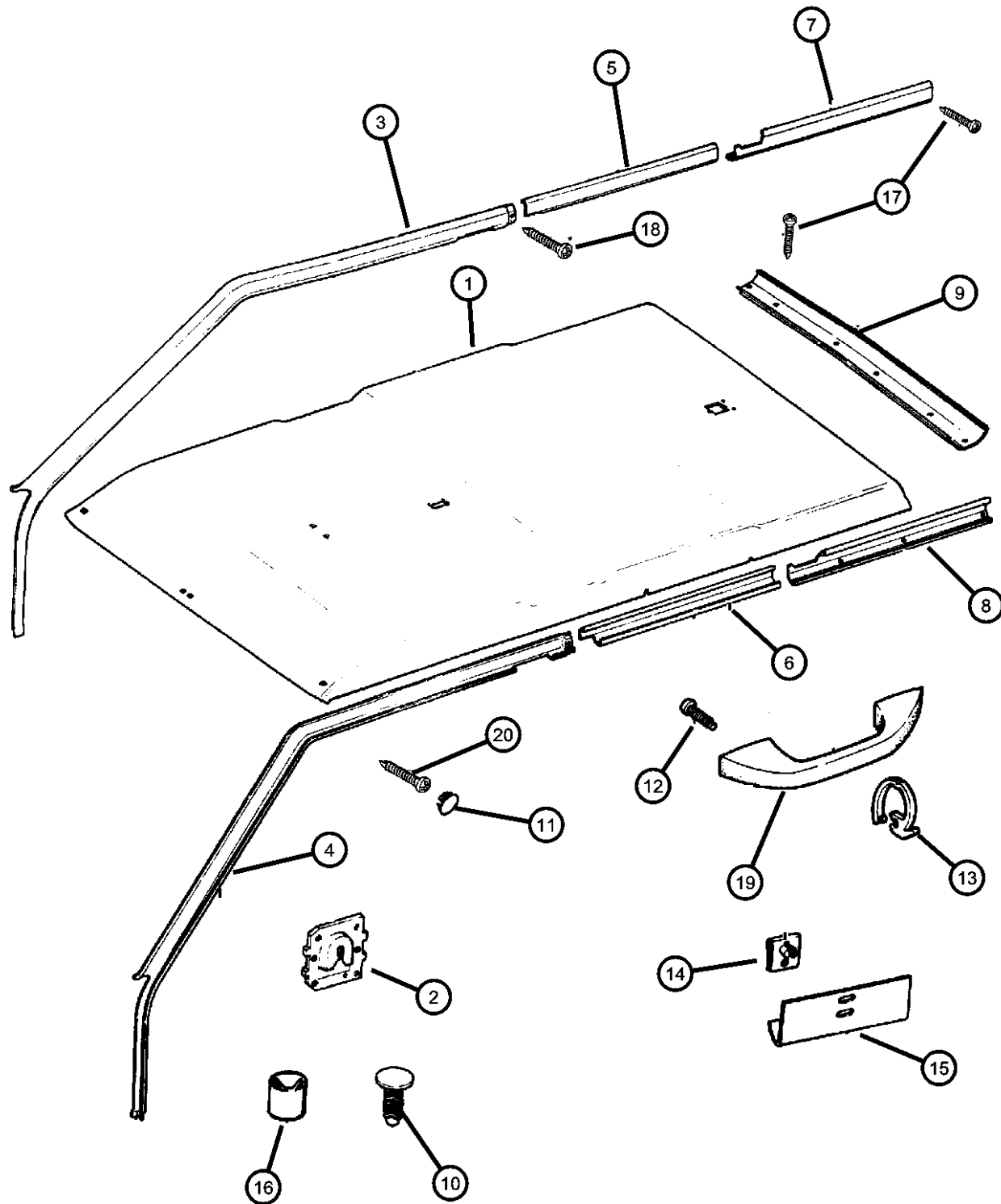
SERIES LINE
 L = LOWLINE B = JEEP - 2WD (RHD)
 U = JEEP - 4WD (RHD)
 T = LHD - (2WD)
 J = JEEP - - LHD (4WD)

BODY
 72 = 2DR (101.4 WB)
 74 = 4 DR (101.4 WB)

ENGINE TRANSMISSION
 ENC = 2.5L 4 Cyl Turbo Diesel Engine DCB = Transmission - 4-Speed Manual, T3340
 EPE = Engine - 2.5L Power Tech I-4 Cyl. DDQ = 5-Speed Manual Transmission
 ERH = 4.0L Power Tech I-6 Engine DDG = 5-Speed HD Manual Transmission
 ENO = Engines - ALL 4/5 CYL Turbo Diesel DGD = 3-Spd. Automatic 30RH Transmission
 ERO = Engines - All 4.0L 6 Cyl Gas DKG = 4-Spd. Automatic 42RE Transmission
 EPO = ENGINES - ALL 2.5L 4 CYL GAS DGS = 4-Speed Automatic AW4 Transmission
 DGT = 4-Spd. Automatic 46RE Transmission
 DGW = TRANSMISSION - 4-SPD. AUTOMATIC, 44RE
 DGX = 4-Speed Automatic Transmission
 DGY = No Description Available
 DGZ = Transmission- 4-Spd. Automatic, MT643
 DBB = ALL MANUAL TRANSMISSIONS
 DG0 = TRANSMISSIONS - ALL AUTOMATIC

AR = use ase required - = Non illustrated part

Headliner and Upper Trim Moldings
Figure IXJ-110



ITEM	PART NUMBER	QTY	LINE	SERIES	BODY	ENGINE	TRANS	TRIM	DESCRIPTION
18	55002520	2							SCREW, Pan Head, .164-18x.75, (NOT SERVICED)
19	5CX10TC3	3	J, T					*O0	HANDLE, Roof Grab
		4	B, U					*O0	[C3], Mist Gray
	5CX10TT6	3	J, T					*O0	[C3], Mist Gray
		4	B, U					*O0	[T6], Saddle
20		4						*O0	[T6], Saddle
		4							SCREW, .164-18x.75, (NOT SERVICED),

CHEROKEE (XJ)

SERIES LINE
 L = LOWLINE B = JEEP - 2WD (RHD)
 U = JEEP - 4WD (RHD)
 T = LHD - (2WD)
 J = JEEP - - LHD (4WD)

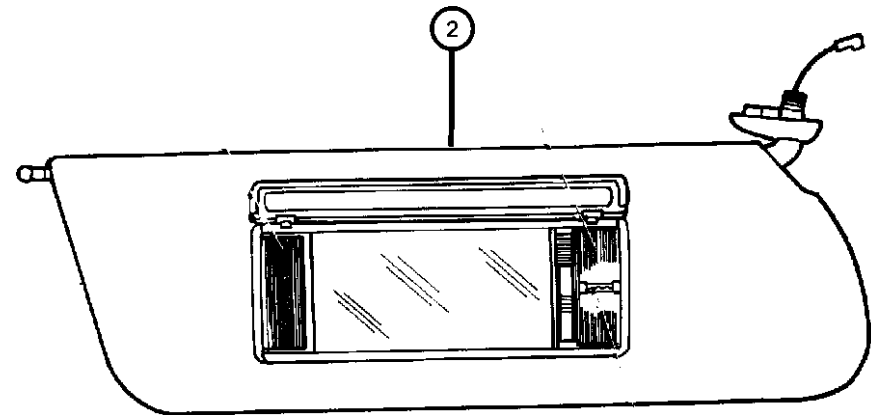
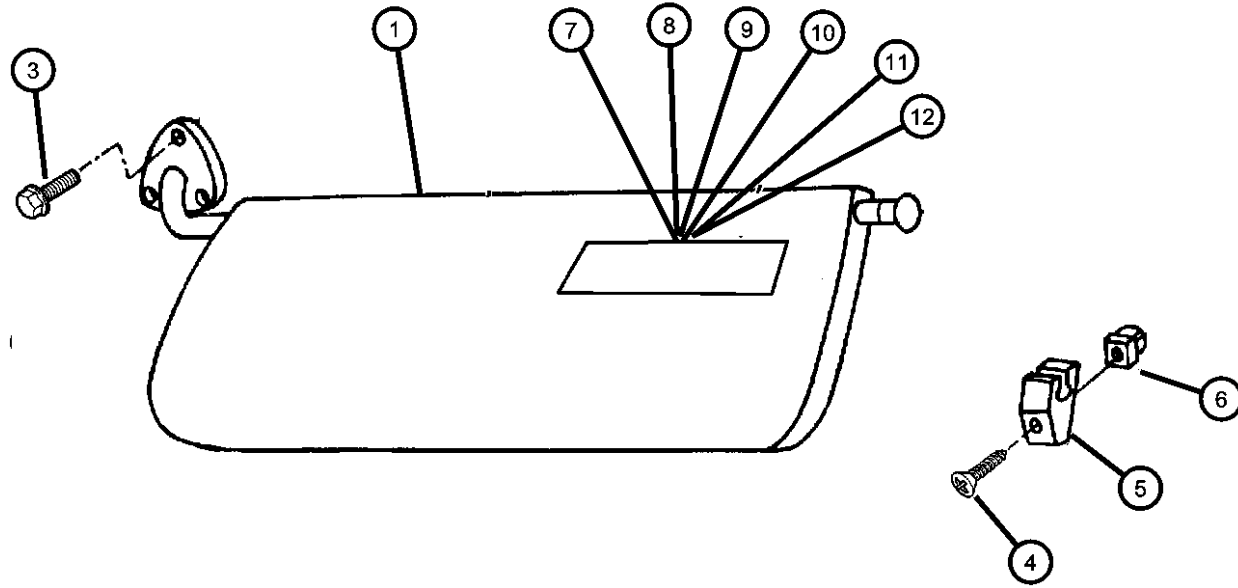
BODY
 72 = 2DR (101.4 WB)
 74 = 4 DR (101.4 WB)

ENGINE TRANSMISSION
 ENC = 2.5L 4 Cyl Turbo Diesel Engine DCB = Transmission - 4-Speed Manual,T3340
 EPE = Engine - 2.5L Power Tech I-4 Cyl. DDQ = 5-Speed Manual Transmission
 ERH = 4.0L Power Tech I-6 Engine DDX = 5-Speed HD Manual Transmission
 ENO = Engines - ALL 4/5 CYL Turbo Diesel DGD = 3-Spd. Automatic 30RH Transmission
 ERO = Engines - All 4.0L 6 Cyl Gas DGK = 4-Spd. Automatic 42RE Transmission
 EPO = ENGINES - ALL 2.5L 4 CYL GAS DGS = 4-Speed Automatic AW4 Transmission
 DGT = 4-Spd. Automatic 46RE Transmission
 DGW = TRANSMISSION - 4-SPD. AUTOMATIC,44RE
 DGX = 4-Speed Automatic Transmission
 DGY = No Description Available
 DGZ = Transmission- 4-Spd. Automatic,MT643
 DBB = ALL MANUAL TRANSMISSIONS
 DG0 = TRANSMISSIONS - ALL AUTOMATIC

AR = use ase required - = Non illustrated part

Visors and Vanity Mirrors
Figure IXJ-120

ITEM	PART NUMBER	QTY	LINE	SERIES	BODY	ENGINE	TRANS	TRIM	DESCRIPTION
10	53009358	1	J, U						Bilingual, With 242 LABEL, Diesel Starting
	52006337	1							English
	55214516	1							French
11	04787437AA	2	J, T						LABEL, Air Bag Warning, English and French, 5 Points
12	55196783AA	2	J, T						LABEL, Airbag, Bi-Lingual



CHEROKEE (XJ)

SERIES LINE
L = LOWLINE B = JEEP - 2WD (RHD)
U = JEEP - 4WD (RHD)
T = LHD - (2WD)
J = JEEP - - LHD (4WD)

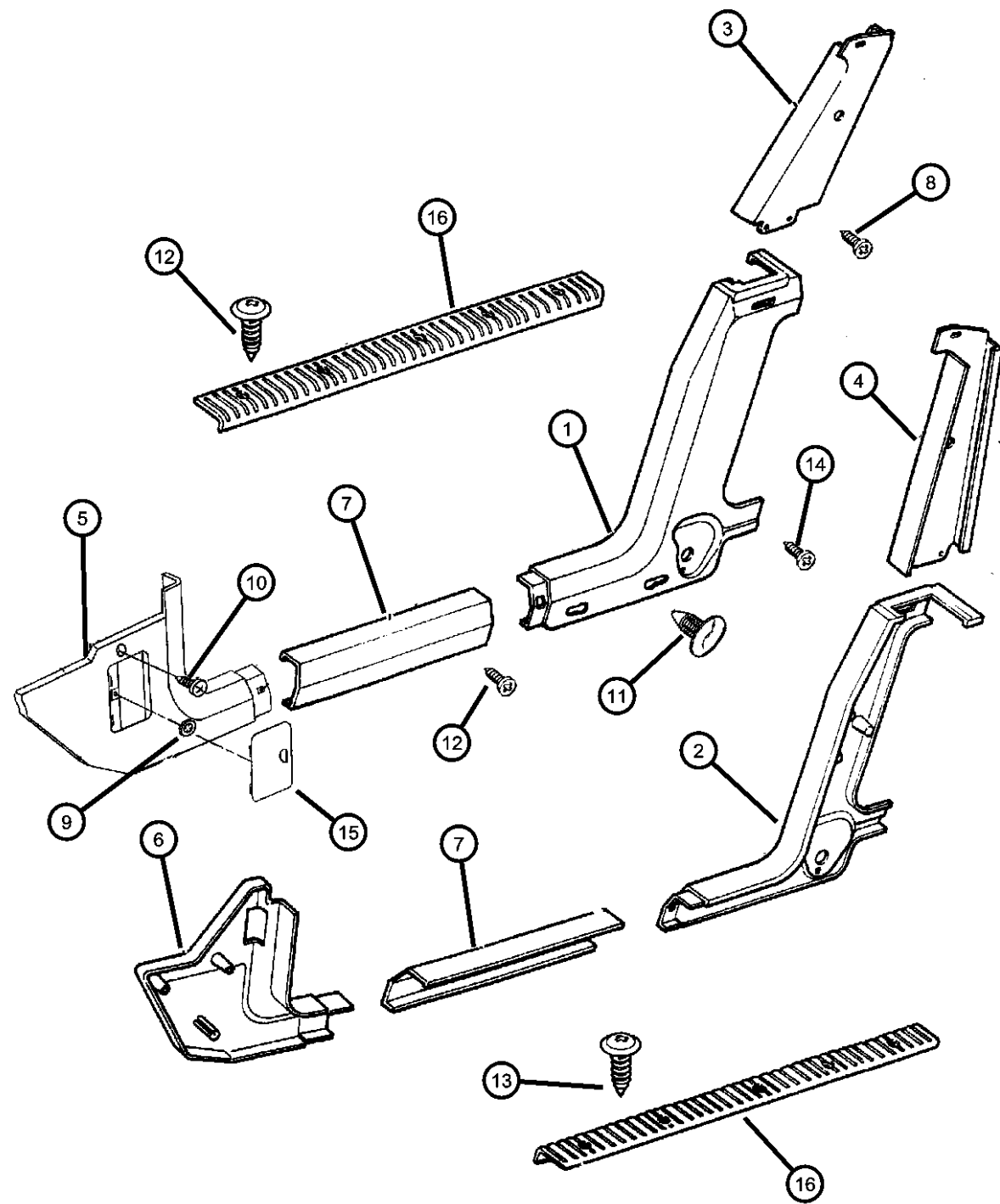
BODY
72 = 2DR (101.4 WB)
74 = 4 DR (101.4 WB)

ENGINE TRANSMISSION
ENC = 2.5L 4 Cyl Turbo Diesel Engine DCB = Transmission - 4-Speed Manual,T3340
EPE = Engine - 2.5L Power Tech I-4 Cyl. DDQ = 5-Speed Manual Transmission
ERH = 4.0L Power Tech I-6 Engine DDX = 5-Speed HD Manual Transmission
ENO = Engines - ALL 4/5 CYL Turbo Diesel DGD = 3-Spd. Automatic 30RH Transmission
ERO = Engines - All 4.0L 6 Cyl Gas DGK = 4-Spd. Automatic 42RE Transmission
EPO = ENGINES - ALL 2.5L 4 CYL GAS DGS = 4-Speed Automatic AW4 Transmission
DGT = 4-Spd. Automatic 46RE Transmission
DGW = TRANSMISSION - 4-SPD. AUTOMATIC,44RE
DGX = 4-Speed Automatic Transmission
DGY = No Description Available
DGZ = Transmission- 4-Spd. Automatic,MT643
DBB = ALL MANUAL TRANSMISSIONS
DGO = TRANSMISSIONS - ALL AUTOMATIC

AR = use ase required - = Non illustrated part

1998 XJ

Panels, Interior Trim, Front
Figure IXJ-210



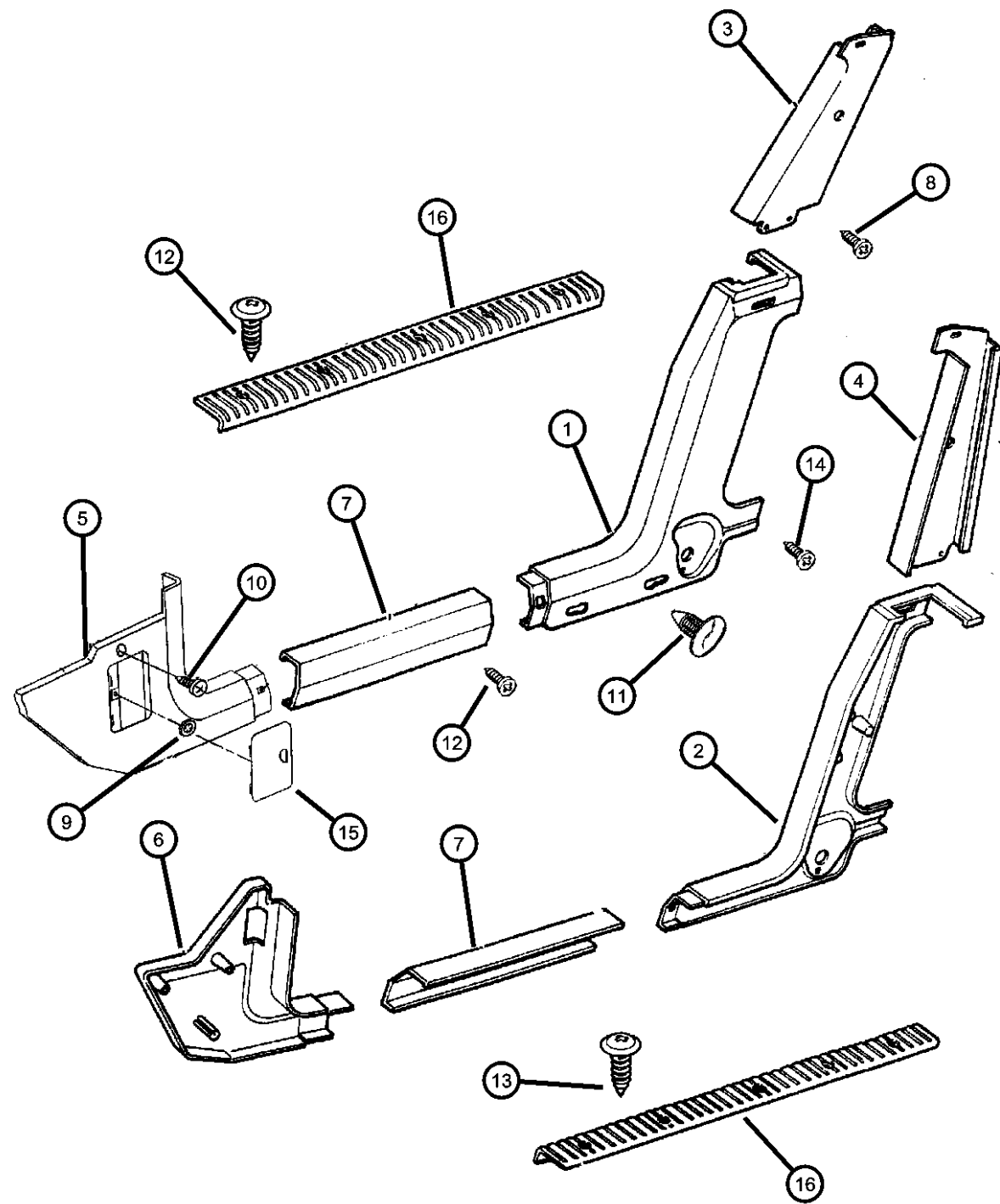
ITEM	PART NUMBER	QTY	LINE	SERIES	BODY	ENGINE	TRANS	TRIM	DESCRIPTION
P.A.R.= Paint As Required									
1	5EW90TC3	1	J, T, U		72			*O0	EXTENSION, B Pillar, P.A.R., Right
2	5EW91TC3	1	J, T, U		72			*O0	EXTENSION, B Pillar, P.A.R., Left
3									COVER, Lock Pillar
	5ER16RC3	1	J, T, U		72			*O0	Mist Gray, Right
	5ER16RT6	1	J, T, U		72			*O0	Saddle, Right
4									COVER, Lock Pillar
	5ER17RC3	1	J, T, U		72			*O0	Mist Gray, Left
	5ER17RT6	1	J, T, U		72			*O0	Saddle, Left
5									PANEL, Cowl Side Trim
	5EG14RC3AC	1						*O0	Mist Gray, Right
	5EG14RT6AC	1						*O0	Saddle, Right
6									PANEL, Cowl Side Trim
	5EG17RC3AC	1	J, T					*O0	Mist Gray, Left
	5EG17RT6AC	1	J, T					*O0	Saddle, Left
	5ES93RC3AC	1	B, U					*O0	Mist Gray, Left
	5ES93RT6AC	1	B, U					*O0	Saddle, Left
7									PLATE, Scuff
	5EW78TC3	1	J, T, U		72			*O0	Mist Gray, Right
	5EW78TT6	1	J, T, U		72			*O0	Saddle, Right
	5EW79TC3	1	J, T, U		72			*O0	Mist Gray, Left
	5EW79TT6	1	J, T, U		72			*O0	Saddle, Left

CHEROKEE (XJ)

SERIES	LINE	BODY	ENGINE	TRANSMISSION
L = LOWLINE	B = JEEP - 2WD (RHD) U = JEEP - 4WD (RHD) T = LHD - (2WD) J = JEEP - - LHD (4WD)	72 = 2DR (101.4 WB) 74 = 4 DR (101.4 WB)	ENC = 2.5L 4 Cyl Turbo Diesel Engine EPE = Engine - 2.5L Power Tech I-4 Cyl. ERH = 4.0L Power Tech I-6 Engine ENO = Engines - ALL 4/5 CYL Turbo Diesel ERO = Engines - All 4.0L 6 Cyl Gas EPO = ENGINES - ALL 2.5L 4 CYL GAS	DCB = Transmission - 4-Speed Manual,T3340 DDQ = 5-Speed Manual Transmission DDX = 5-Speed HD Manual Transmission DGD = 3-Spd. Automatic 30RH Transmission DGK = 4-Spd. Automatic 42RE Transmission DGS = 4-Speed Automatic AW4 Transmission DGT = 4-Spd. Automatic 46RE Transmission DGW = TRANSMISSION - 4-SPD. AUTOMATIC,44RE DGX = 4-Speed Automatic Transmission DGY = No Description Available DGZ = Transmission- 4-Spd. Automatic,MT643 DBB = ALL MANUAL TRANSMISSIONS DGO = TRANSMISSIONS - ALL AUTOMATIC

AR = use ase required - = Non illustrated part

Panels, Interior Trim, Front
Figure IXJ-210

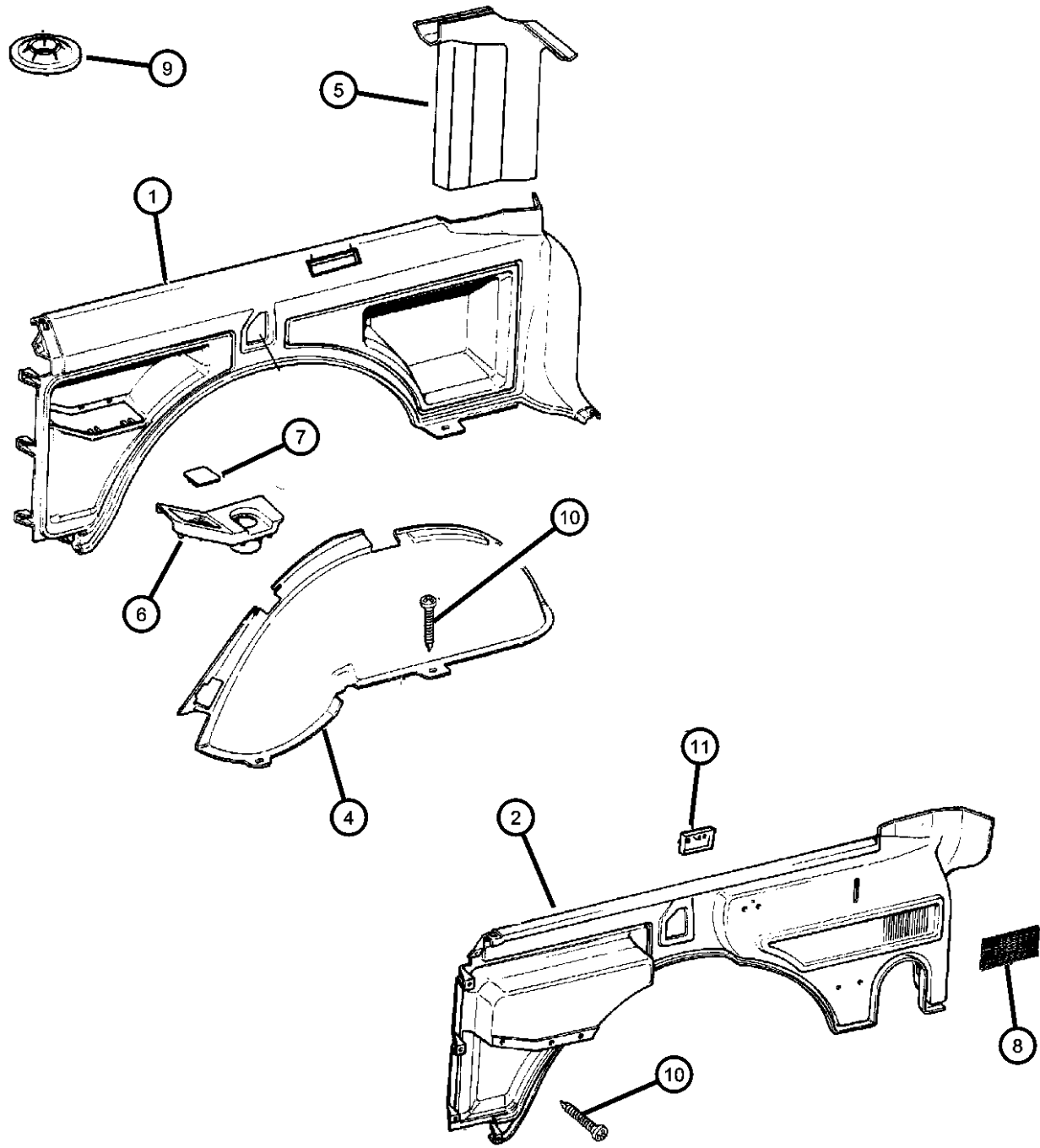


ITEM	PART NUMBER	QTY	LINE	SERIES	BODY	ENGINE	TRANS	TRIM	DESCRIPTION
8	34201314	4						*00	SCREW, Tapping Round Head, .164x18x1.232
9	06033560	1							NUT AND WASHER, Hex Nut-Coned Washer, .25-20
10	06033560	1							SCREW AND WASHER, Pan Head, .19-16x1, (NOT SERVICED)
11	34201545	4	J, T, U		72				CLIP, Molding
12	34201545	4							SCREW, Pan Head, .164-18x1.25, (NOT SERVICED)
13	34201545	4							SCREW, .164-18x.500, (NOT SERVICED)
14	34201400	2	J, T, U		72				SCREW AND FINISH WASHER, Oval Head TR, 40mm Long
15	5FU34RC3	1						*00	Mist Gray
	5FU34RT6	1						*00	Saddle
16	55003374	2	J, T, U		72				PLATE, Scuff

CHEROKEE (XJ)				
SERIES	LINE	BODY	ENGINE	TRANSMISSION
L = LOWLINE	B = JEEP - 2WD (RHD) U = JEEP - 4WD (RHD) T = LHD - (2WD) J = JEEP - - LHD (4WD)	72 = 2DR (101.4 WB) 74 = 4 DR (101.4 WB)	ENC = 2.5L 4 Cyl Turbo Diesel Engine EPE = Engine - 2.5L Power Tech I-4 Cyl. ERH = 4.0L Power Tech I-6 Engine ENO = Engines - ALL 4/5 CYL Turbo Diesel ERO = Engines - All 4.0L 6 Cyl Gas EPO = ENGINES - ALL 2.5L 4 CYL GAS	DCB = Transmission - 4-Speed Manual,T3340 DDQ = 5-Speed Manual Transmission DDX = 5-Speed HD Manual Transmission DGD = 3-Spd. Automatic 30RH Transmission DGK = 4-Spd. Automatic 42RE Transmission DGS = 4-Speed Automatic AW4 Transmission DGT = 4-Spd. Automatic 46RE Transmission DGW = TRANSMISSION - 4-SPD. AUTOMATIC,44RE DGX = 4-Speed Automatic Transmission DGY = No Description Available DGZ = Transmission- 4-Spd. Automatic,MT643 DBB = ALL MANUAL TRANSMISSIONS DGO = TRANSMISSIONS - ALL AUTOMATIC

AR = use ase required - = Non illustrated part

Panels, Interior Trim, Rear
Figure IXJ-215



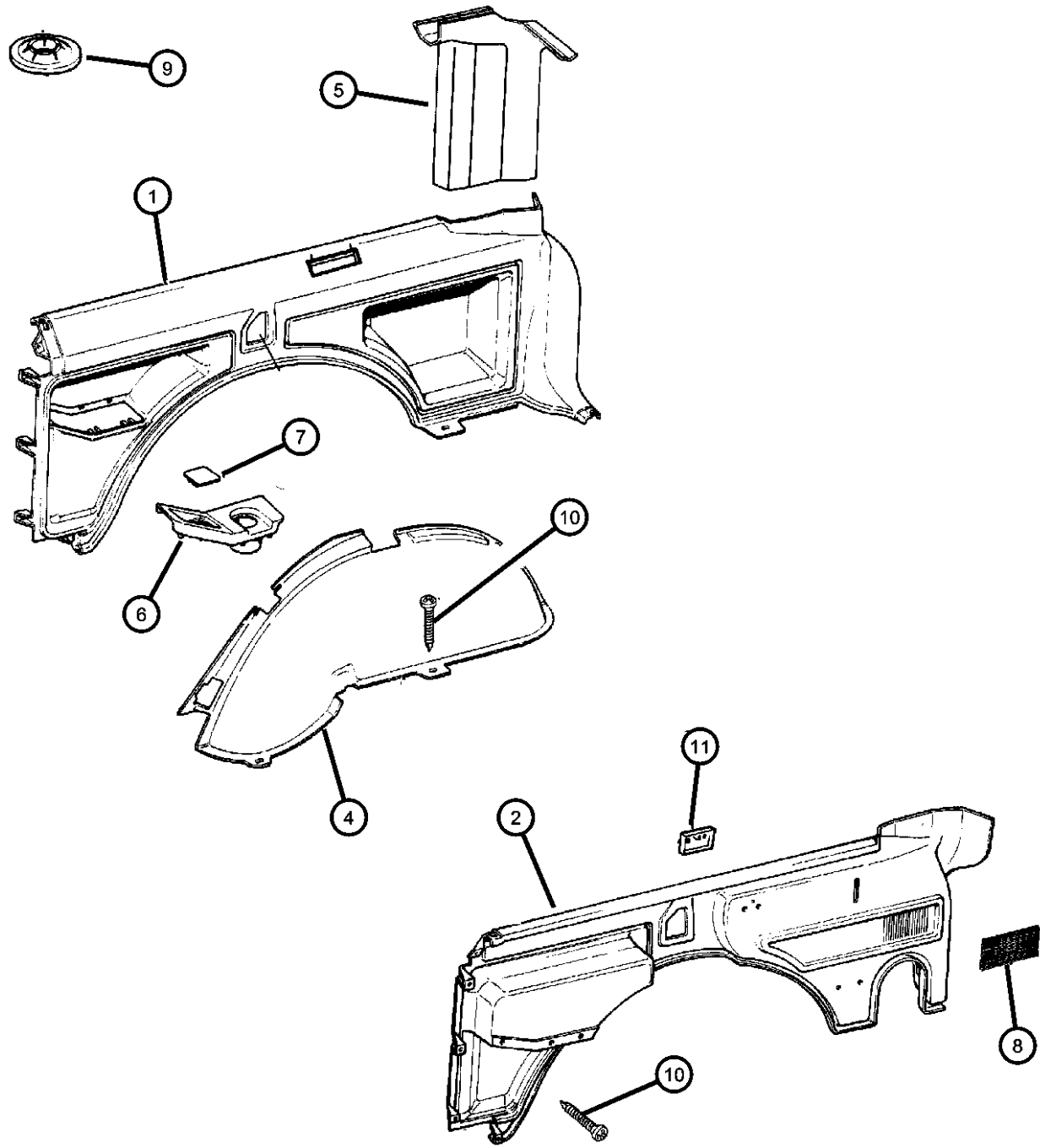
ITEM	PART NUMBER	QTY	LINE	SERIES	BODY	ENGINE	TRANS	TRIM	DESCRIPTION
P.A.R.= Paint As Required									
1									PANEL, Quarter Trim
	5EG04RC3AC	1	J, T, U		72			*O0	Mist Gray, Right
	5EG04RT6AC	1	J, T, U		72			*O0	Saddle, Right
2									PANEL, Quarter Trim
	5EG05RC3AF	1	J, T, U		72			*O0	Mist Gray, Left
	5EG05RT6AF	1	J, T, U		72			*O0	Saddle, Left
-3	5EG05RT6AF	1							PIN, Push .281, (NOT REQUIRED),
4									PANEL, Wheelhouse
	5AC58TC3	1						*O0	Mist Gray, Right
	5AC58TT6	1						*O0	Saddle, Right
	5AC59TC3	1						*O0	Mist Gray, Left
	5AC59TT6	1						*O0	Saddle, Left
5									COVER, Liftgate Pillar
	5ER40RC3AC	1	J, T, U		72			*O0	Mist Gray, Right
	5ER40RT6AC	1	J, T, U		72			*O0	Saddle, Right
	5ER41RC3AC	1	J, T, U		72			*O0	Mist Gray, Left
	5ER41RT6AC	1	J, T, U		72			*O0	Saddle, Left
6	5ER41RT6AC	1							COVER, Armrest, Serviced in Quarter Trim Panel, (NOT SERVICED),
7									COVER, Ash Receiver Opening
	5AC64TC3	2	J, T, U		72			*O0	Mist Gray
	5AC64TT6	2	J, T, U		72			*O0	Saddle

CHEROKEE (XJ)

SERIES	LINE	BODY	ENGINE	TRANSMISSION
L = LOWLINE	B = JEEP - 2WD (RHD) U = JEEP - 4WD (RHD) T = LHD - (2WD) J = JEEP - - LHD (4WD)	72 = 2DR (101.4 WB) 74 = 4 DR (101.4 WB)	ENC = 2.5L 4 Cyl Turbo Diesel Engine EPE = Engine - 2.5L Power Tech I-4 Cyl. ERH = 4.0L Power Tech I-6 Engine ENO = Engines - ALL 4/5 CYL Turbo Diesel ERO = Engines - All 4.0L 6 Cyl Gas EPO = ENGINES - ALL 2.5L 4 CYL GAS	DCB = Transmission - 4-Speed Manual,T3340 DDQ = 5-Speed Manual Transmission DDX = 5-Speed HD Manual Transmission DGD = 3-Spd. Automatic 30RH Transmission DGK = 4-Spd. Automatic 42RE Transmission DGS = 4-Speed Automatic AW4 Transmission DGT = 4-Spd. Automatic 46RE Transmission DGW = TRANSMISSION - 4-SPD. AUTOMATIC,44RE DGX = 4-Speed Automatic Transmission DGY = No Description Available DGZ = Transmission- 4-Spd. Automatic,MT643 DBB = ALL MANUAL TRANSMISSIONS DGO = TRANSMISSIONS - ALL AUTOMATIC

AR = use ase required - = Non illustrated part

Panels, Interior Trim, Rear
Figure IXJ-215

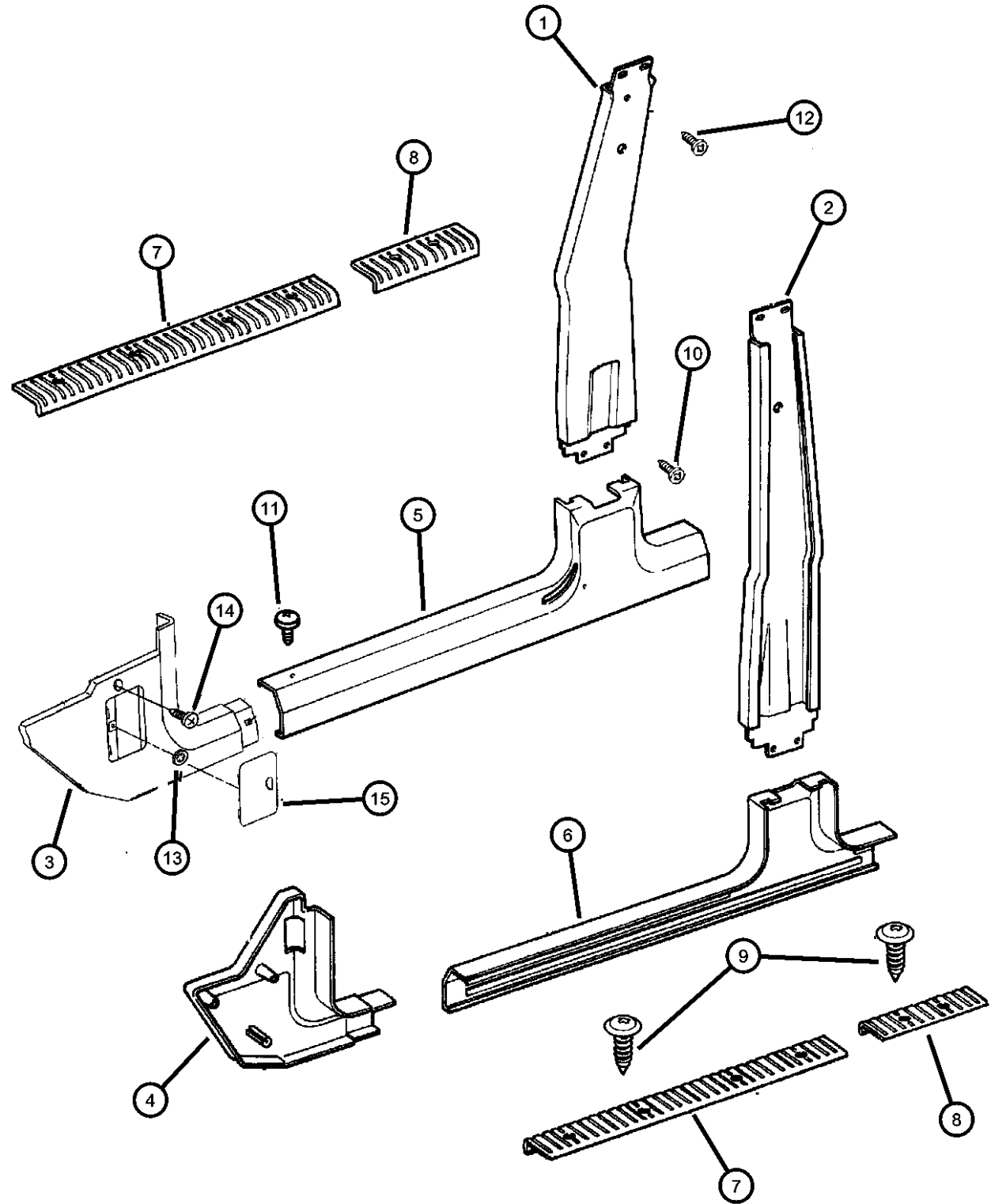


ITEM	PART NUMBER	QTY	LINE	SERIES	BODY	ENGINE	TRANS	TRIM	DESCRIPTION
8	55004406	1	J, T, U		72			*O0	SCREEN, Louvre
9	34201481	6	J, T, U		72			*O0	NUT, Push On
10	34201468	4							SCREW, Round Washer Head, M4.2x1.41x25.00
11	34201468	4							REST, Spare Tire, (NOT SERVICED)

CHEROKEE (XJ)				
SERIES	LINE	BODY	ENGINE	TRANSMISSION
L = LOWLINE	B = JEEP - 2WD (RHD) U = JEEP - 4WD (RHD) T = LHD - (2WD) J = JEEP - - LHD (4WD)	72 = 2DR (101.4 WB) 74 = 4 DR (101.4 WB)	ENC = 2.5L 4 Cyl Turbo Diesel Engine EPE = Engine - 2.5L Power Tech I-4 Cyl. ERH = 4.0L Power Tech I-6 Engine ENO = Engines - ALL 4/5 CYL Turbo Diesel ERO = Engines - All 4.0L 6 Cyl Gas EPO = ENGINES - ALL 2.5L 4 CYL GAS	DCB = Transmission - 4-Speed Manual,T3340 DDQ = 5-Speed Manual Transmission DDX = 5-Speed HD Manual Transmission DGD = 3-Spd. Automatic 30RH Transmission DGK = 4-Spd. Automatic 42RE Transmission DGS = 4-Speed Automatic AW4 Transmission DGT = 4-Spd. Automatic 46RE Transmission DGW = TRANSMISSION - 4-SPD. AUTOMATIC,44RE DGX = 4-Speed Automatic Transmission DGY = No Description Available DGZ = Transmission- 4-Spd. Automatic,MT643 DBB = ALL MANUAL TRANSMISSIONS DGO = TRANSMISSIONS - ALL AUTOMATIC

AR = use ase required - = Non illustrated part

Panels, Interior Trim, Front
Figure IXJ-220



ITEM	PART NUMBER	QTY	LINE	SERIES	BODY	ENGINE	TRANS	TRIM	DESCRIPTION
P.A.R.= Paint As Required									
1	5ER20RT6	1			74			*O0	COVER, B Pillar Trim Panel, P.A.R., Right
2	5ER21RT6	1			74			*O0	COVER, B Pillar Trim Panel, P.A.R., Left
3									PANEL, Cowl Side Trim
	5EG14RC3AC	1						*O0	Mist Gray, Right
	5EG14RT6AC	1						*O0	Saddle, Right
4									PANEL, Cowl Side Trim
	5EG17RC3AC	1	J, T					*O0	Mist Gray, Left
	5EG17RT6AC	1	J, T					*O0	Saddle, Left
	5ES93RC3AC	1	B, U					*O0	Mist Gray, Left
	5ES93RT6AC	1	B, U					*O0	Saddle, Left
5									COVER, B Pillar Trim Panel
	5EW80RC3AC	1			74			*O0	Mist Gray, Right
	5EW80RT6AC	1			74			*O0	Saddle, Right
6									COVER, B Pillar Trim Panel
	5EW81RC3AC	1			74			*O0	Mist Gray, Left
	5EW81RT6AC	1			74			*O0	Saddle, Left
7	55003370	2			74				PLATE, ScuffFront
8	55003372	2			74				PLATE, ScuffRear
9	55003372	2							SCREW, .164-18x.500, (NOT SERVICED)
10	34201545	2			74				CLIP, Molding

CHEROKEE (XJ)

SERIES LINE
 L = LOWLINE B = JEEP - 2WD (RHD)
 U = JEEP - 4WD (RHD)
 T = LHD - (2WD)
 J = JEEP - - LHD (4WD)

BODY
 72 = 2DR (101.4 WB)
 74 = 4 DR (101.4 WB)

ENGINE TRANSMISSION
 ENC = 2.5L 4 Cyl Turbo Diesel Engine DCB = Transmission - 4-Speed Manual,T3340
 EPE = Engine - 2.5L Power Tech I-4 Cyl. DDQ = 5-Speed Manual Transmission
 ERH = 4.0L Power Tech I-6 Engine DDG = 5-Speed HD Manual Transmission
 ENO = Engines - ALL 4/5 CYL Turbo Diesel DGD = 3-Spd. Automatic 30RH Transmission
 ERO = Engines - All 4.0L 6 Cyl Gas DGK = 4-Spd. Automatic 42RE Transmission
 EPO = ENGINES - ALL 2.5L 4 CYL GAS DGS = 4-Speed Automatic AW4 Transmission
 DGT = 4-Spd. Automatic 46RE Transmission
 DGW = TRANSMISSION - 4-SPD. AUTOMATIC,44RE
 DGX = 4-Speed Automatic Transmission
 DGY = No Description Available
 DGZ = Transmission- 4-Spd. Automatic,MT643
 DBB = ALL MANUAL TRANSMISSIONS
 DGO = TRANSMISSIONS - ALL AUTOMATIC

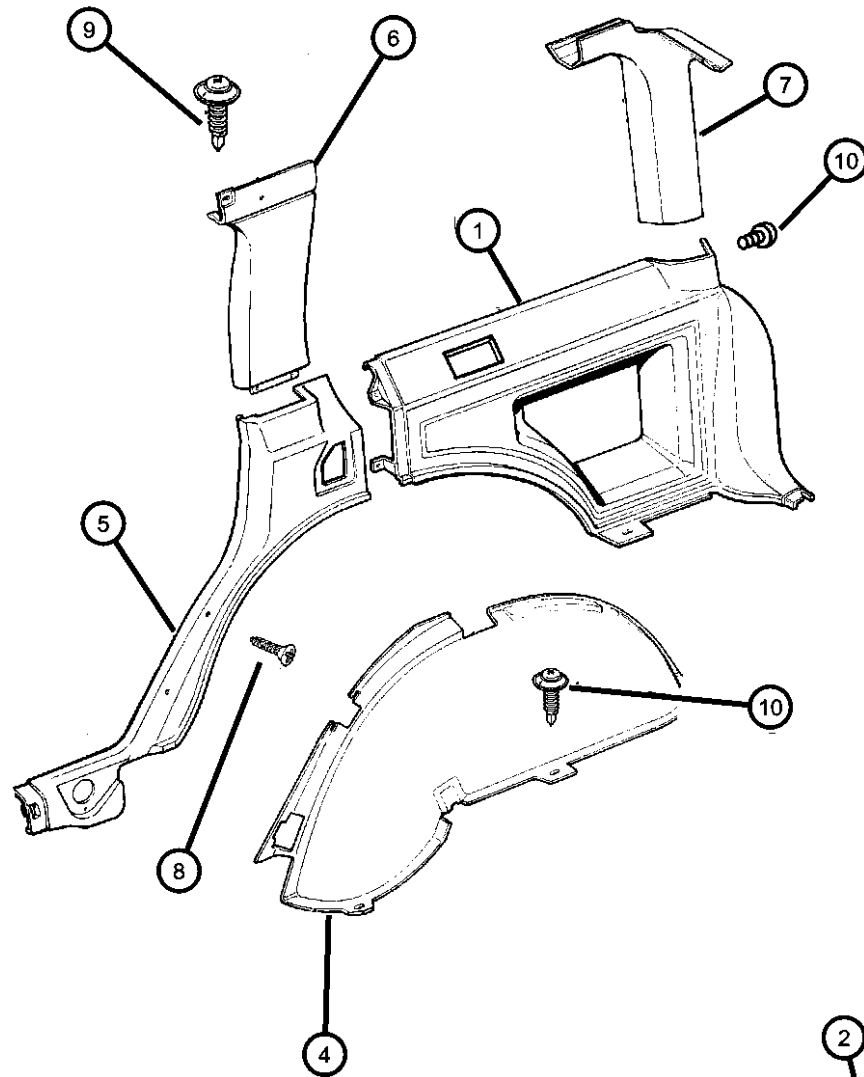
AR = use ase required - = Non illustrated part

1998 XJ

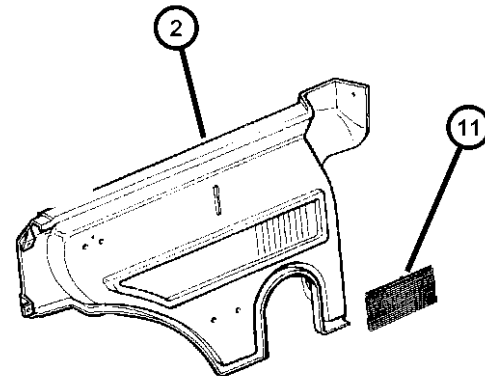
Panels, Interior Trim, Rear
Figure IXJ-225

ITEM	PART NUMBER	QTY	LINE	SERIES	BODY	ENGINE	TRANS	TRIM	DESCRIPTION
------	-------------	-----	------	--------	------	--------	-------	------	-------------

P.A.R.= Paint As Required



1	5EG02RC3AC	1			74			*O0	PANEL, Quarter Trim Mist Gray, Right
	5EG02RT6AC	1			74			*O0	Saddle, Right
2	5EG03RC3AG	1			74			*O0	PANEL, Quarter Trim Mist Gray, Left
	5EG03RT6AG	1			74			*O0	Saddle,
-3	5EG03RT6AG	1							PIN, Push .281, (NOT REQUIRED),
4	5AC58TC3	1						*O0	PANEL, Wheelhouse Mist Gray, Right
	5AC58TT6	1						*O0	Saddle, Right
	5AC59TC3	1						*O0	Mist Gray, Left
	5AC59TT6	1						*O0	Saddle, Left
5	5EW88RC3AC	1			74			*O0	EXTENSION, C Pillar Mist Gray, Right
	5EW88RT6AC	1			74			*O0	Saddle, Right
	5EW89RC3AC	1			74			*O0	Mist Gray, Left
	5EW89RT6AC	1			74			*O0	Saddle, Left
6	5EW86TC3	1			74			*O0	COVER, C Pillar P.A.R., Right
	5EW87TC3	1			74			*O0	P.A.R., Left
7	5FX18RC3AC	1			74			*O0	COVER, Liftgate Mist Gray, Right



CHEROKEE (XJ)

SERIES LINE
 L = LOWLINE B = JEEP - 2WD (RHD)
 U = JEEP - 4WD (RHD)
 T = LHD - (2WD)
 J = JEEP - - LHD (4WD)

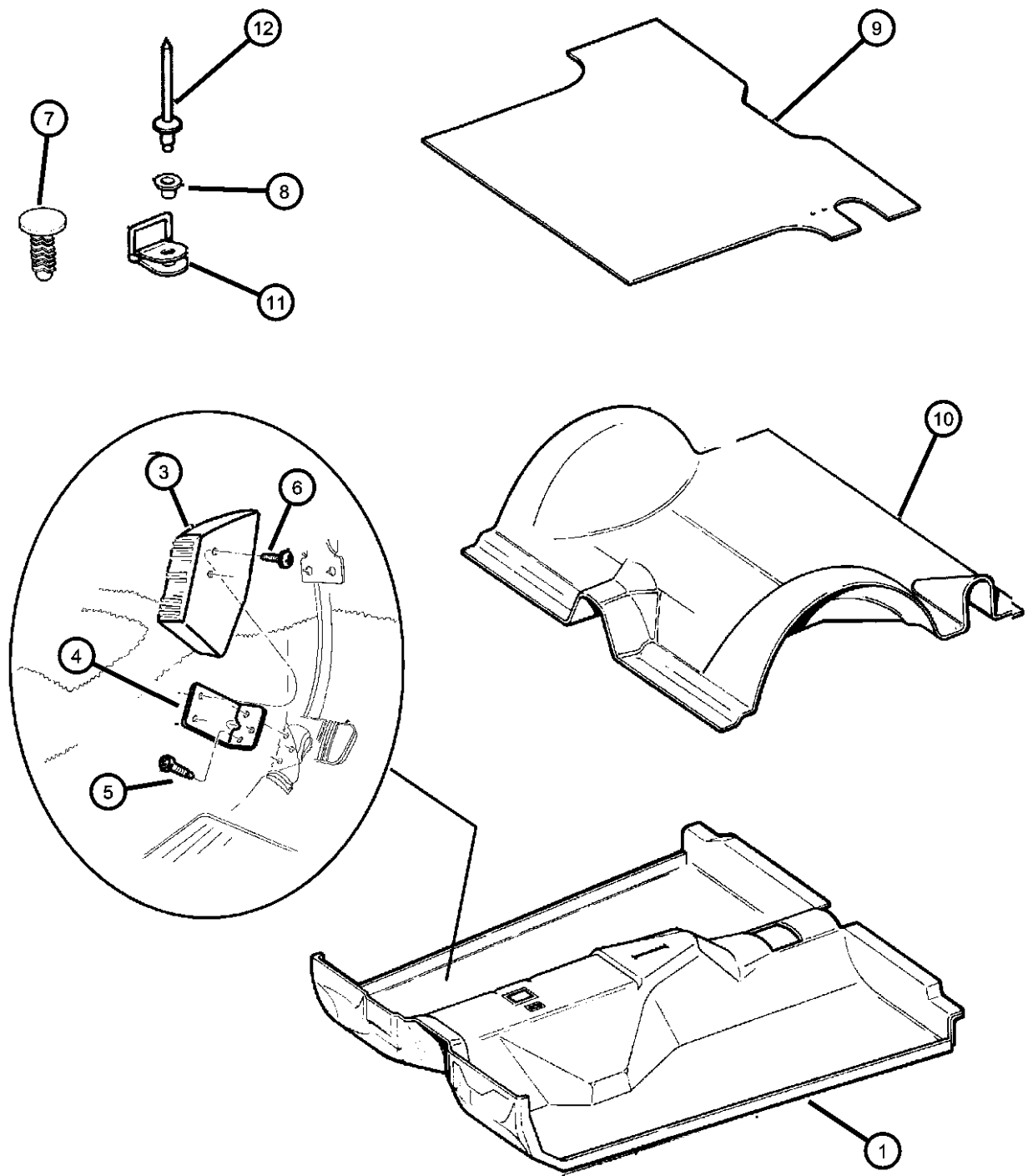
BODY
 72 = 2DR (101.4 WB)
 74 = 4 DR (101.4 WB)

ENGINE TRANSMISSION
 ENC = 2.5L 4 Cyl Turbo Diesel Engine DCB = Transmission - 4-Speed Manual,T3340
 EPE = Engine - 2.5L Power Tech I-4 Cyl. DDQ = 5-Speed Manual Transmission
 ERH = 4.0L Power Tech I-6 Engine DDX = 5-Speed HD Manual Transmission
 ENO = Engines - ALL 4/5 CYL Turbo Diesel DGD = 3-Spd. Automatic 30RH Transmission
 ERO = Engines - All 4.0L 6 Cyl Gas DGK = 4-Spd. Automatic 42RE Transmission
 EPO = ENGINES - ALL 2.5L 4 CYL GAS DGS = 4-Speed Automatic AW4 Transmission
 DGT = 4-Spd. Automatic 46RE Transmission
 DGW = TRANSMISSION - 4-SPD. AUTOMATIC,44RE
 DGX = 4-Speed Automatic Transmission
 DGY = No Description Available
 DGZ = Transmission- 4-Spd. Automatic,MT643
 DBB = ALL MANUAL TRANSMISSIONS
 DG0 = TRANSMISSIONS - ALL AUTOMATIC

AR = use ase required - = Non illustrated part

1998 XJ

Carpets and Mats
Figure IXJ-310



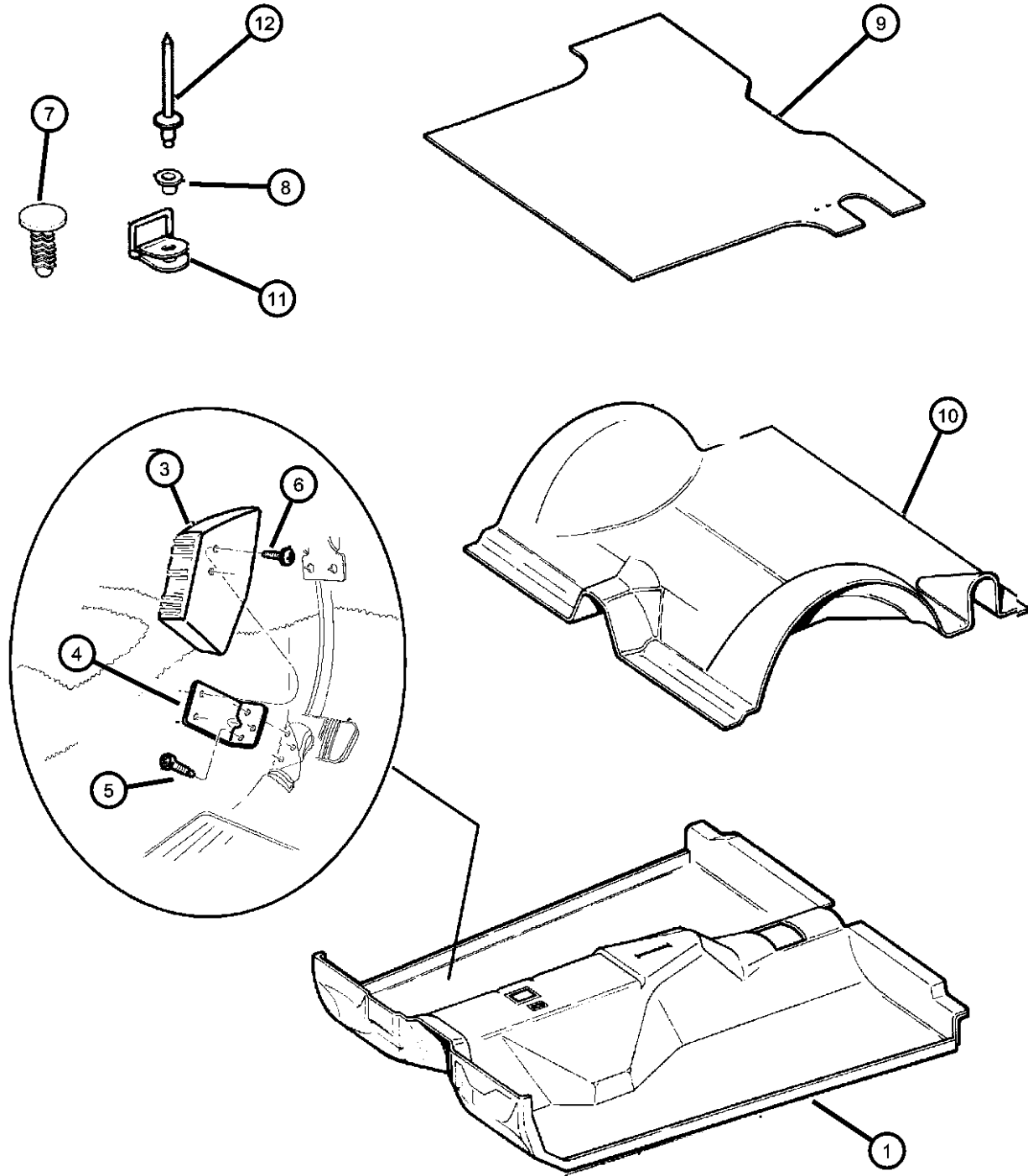
ITEM	PART NUMBER	QTY	LINE	SERIES	BODY	ENGINE	TRANS	TRIM	DESCRIPTION
1	5EY16RC3AI	1	J, T					*O0	CARPET, Floor Mist Gray, Gas Only
	5FY03RT6AH	1	J, T					*O0	Saddle, Diesel
	5EY16RT6AI	1	J, T					*O0	Saddle, Gas Only
	5FM05RC3AG	1	B, U					*O0	Mist Gray
	5FM05RT6AG	1	B, U					*O0	Saddle
	5FY03RC3AH	1	J, T					*O0	Mist Gray, Diesel
-2									MAT, Full Floor, Rubber
	5FM11DX9AE	1	B, U					*O0	
	5FN10DX9AG	1	J, T					*O0	
3	55115066	1	B, U						PAD, Foot Rest
4	55115067	1	B, U						BRACKET, Foot Rest
5	55115067	1							SCREW, 190-16x.625, (NOT SERVICED)
6	55115067	1							SCREW, 190-16x1.00, (NOT SERVICED)
7	55115067	1							PIN, Push .281, (NOT SERVICED)
8	34202365	4							WASHER
9	55008727	1							MAT, Floor
10									CARPET, Cargo Floor
	5FX14RC3AD	1						*O0	Mist Gray
	5FX14RT6AD	1						*O0	Saddle
11	55215609	4							LOOP, Cargo Tie Down
12	06035122	4							RIVET, .187x.70 Black

CHEROKEE (XJ)

SERIES	LINE	BODY	ENGINE	TRANSMISSION
L = LOWLINE	B = JEEP - 2WD (RHD) U = JEEP - 4WD (RHD) T = LHD - (2WD) J = JEEP - - LHD (4WD)	72 = 2DR (101.4 WB) 74 = 4 DR (101.4 WB)	ENC = 2.5L 4 Cyl Turbo Diesel Engine EPE = Engine - 2.5L Power Tech I-4 Cyl. ERH = 4.0L Power Tech I-6 Engine ENO = Engines - ALL 4/5 CYL Turbo Diesel ERO = Engines - All 4.0L 6 Cyl Gas EPO = ENGINES - ALL 2.5L 4 CYL GAS	DCB = Transmission - 4-Speed Manual,T3340 DDQ = 5-Speed Manual Transmission DDX = 5-Speed HD Manual Transmission DGD = 3-Spd. Automatic 30RH Transmission DGK = 4-Spd. Automatic 42RE Transmission DGS = 4-Speed Automatic AW4 Transmission DGT = 4-Spd. Automatic 46RE Transmission DGW = TRANSMISSION - 4-SPD. AUTOMATIC,44RE DGX = 4-Speed Automatic Transmission DGY = No Description Available DGZ = Transmission- 4-Spd. Automatic,MT643 DBB = ALL MANUAL TRANSMISSIONS DGO = TRANSMISSIONS - ALL AUTOMATIC

AR = use ase required - = Non illustrated part

**Carpets and Mats
Figure IXJ-310**



ITEM	PART NUMBER	QTY	LINE	SERIES	BODY	ENGINE	TRANS	TRIM	DESCRIPTION
-13	34202672	2							RIVET, .197 Grip-.187-.375, Carpet Attach MAT, Floor
-14	5FJ35RC3	1	B, U					*O0	Mist Gray
	5FJ35RT6	1	B, U					*O0	Saddle
-15	55196834AA	1	J, T					*O0	CLIP, Carpet
		1	B, U					*O0	

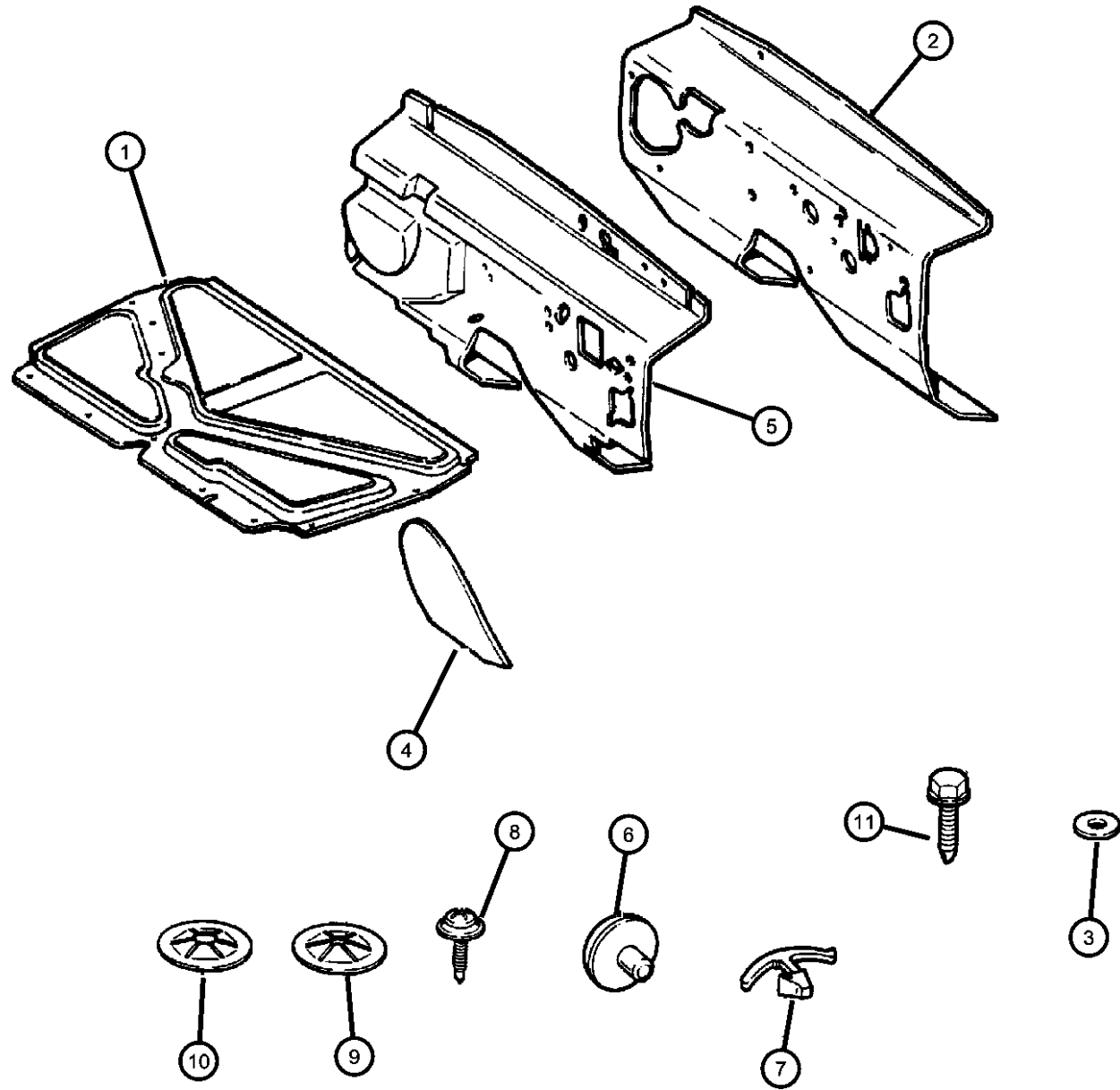
CHEROKEE (XJ)

SERIES	LINE	BODY	ENGINE	TRANSMISSION
L = LOWLINE	B = JEEP - 2WD (RHD) U = JEEP - 4WD (RHD) T = LHD - (2WD) J = JEEP - - LHD (4WD)	72 = 2DR (101.4 WB) 74 = 4 DR (101.4 WB)	ENC = 2.5L 4 Cyl Turbo Diesel Engine EPE = Engine - 2.5L Power Tech I-4 Cyl. ERH = 4.0L Power Tech I-6 Engine ENO = Engines - ALL 4/5 CYL Turbo Diesel ERO = Engines - All 4.0L 6 Cyl Gas EPO = ENGINES - ALL 2.5L 4 CYL GAS	DCB = Transmission - 4-Speed Manual,T3340 DDQ = 5-Speed Manual Transmission DDX = 5-Speed HD Manual Transmission DGD = 3-Spd. Automatic 30RH Transmission DGK = 4-Spd. Automatic 42RE Transmission DGS = 4-Speed Automatic AW4 Transmission DGT = 4-Spd. Automatic 46RE Transmission DGW = TRANSMISSION - 4-SPD. AUTOMATIC,44RE DGX = 4-Speed Automatic Transmission DGY = No Description Available DGZ = Transmission- 4-Spd. Automatic,MT643 DBB = ALL MANUAL TRANSMISSIONS DGO = TRANSMISSIONS - ALL AUTOMATIC

AR = use ase required - = Non illustrated part

Insulation
Figure IXJ-320

ITEM	PART NUMBER	QTY	LINE	SERIES	BODY	ENGINE	TRANS	TRIM	DESCRIPTION
1	55217068AB	1							INSULATION, Hood
2	55217409AF	1	J, T						INSULATION, Dash PanelInner
3	55217409AF	1							WASHER, Flat, (NOT REQUIRED)
4	55004230	1							INSULATION, Toe Board
5	55352647AA	AR							INSULATION, Dash PanelOuter
6	J3081054	7							CLIP, Silencer, Insulation to Dash
7	06003351	13							RETAINER, Hood Insulation, .415x.690
8	06003351	13							SCREW, Flat Head, .312-18x1.00, (NOT REQUIRED)
9	J4005955	4	J, T						NUT, Hood Insulation , Diesel Engine
10	J4000235	2							NUT, Push, .375, Insulation to Accelerator Stud
11	J4000235	2							SCREW, Flat Head, .312-18x1.00, Attach Insulation to Dash Panel, (NOT SERVICED)



CHEROKEE (XJ)

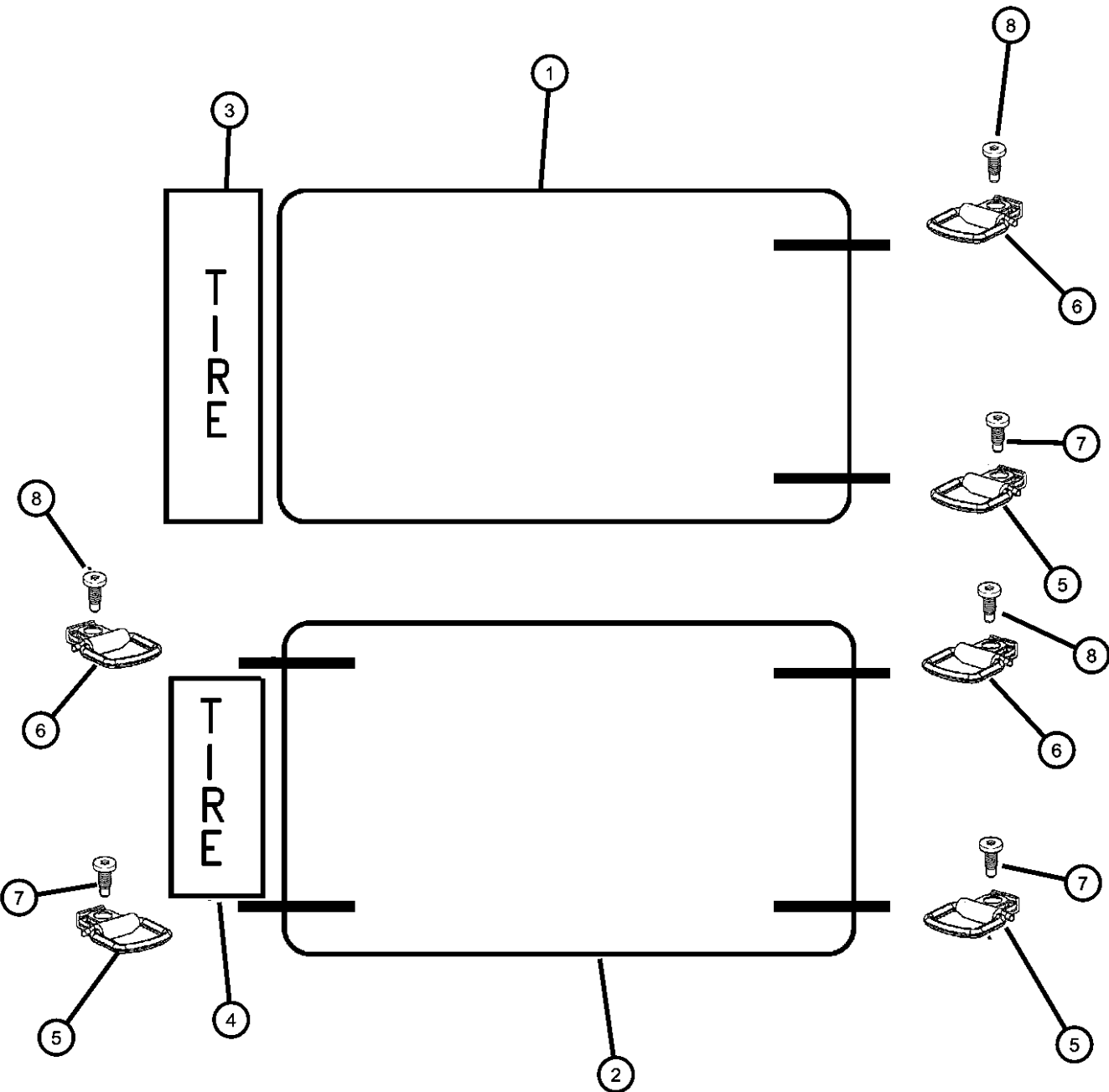
SERIES LINE
L = LOWLINE B = JEEP - 2WD (RHD)
U = JEEP - 4WD (RHD)
T = LHD - (2WD)
J = JEEP - - LHD (4WD)

BODY
72 = 2DR (101.4 WB)
74 = 4 DR (101.4 WB)

ENGINE TRANSMISSION
ENC = 2.5L 4 Cyl Turbo Diesel Engine DCB = Transmission - 4-Speed Manual,T3340
EPE = Engine - 2.5L Power Tech I-4 Cyl. DDQ = 5-Speed Manual Transmission
ERH = 4.0L Power Tech I-6 Engine DDX = 5-Speed HD Manual Transmission
ENO = Engines - ALL 4/5 CYL Turbo Diesel DGD = 3-Spd. Automatic 30RH Transmission
ERO = Engines - All 4.0L 6 Cyl Gas DGK = 4-Spd. Automatic 42RE Transmission
EPO = ENGINES - ALL 2.5L 4 CYL GAS DGS = 4-Speed Automatic AW4 Transmission
DGT = 4-Spd. Automatic 46RE Transmission
DGW = TRANSMISSION - 4-SPD. AUTOMATIC,44RE
DGX = 4-Speed Automatic Transmission
DGY = No Description Available
DGZ = Transmission- 4-Spd. Automatic,MT643
DBB = ALL MANUAL TRANSMISSIONS
DGO = TRANSMISSIONS - ALL AUTOMATIC

AR = use ase required - = Non illustrated part

**Cover, Cargo
Figure IXJ-330**



ITEM	PART NUMBER	QTY	LINE	SERIES	BODY	ENGINE	TRANS	TRIM	DESCRIPTION
1									COVER, Cargo Compartment
	5FX86RC3AA	1						*O0	Mist Gray, With Full Spare
	5FX86RT6AA	1						*O0	Saddle, With Full Spare
	5FX87RC3AA	1	J, U					*O0	Mist Gray, With Compact Spare T155/90D16-Full
	5FX87RT6AA	1	J, U					*O0	Saddle, With Compact Spare T155/90D16-Full
2									COVER, Cargo Compartment
	5FX84RC3AA	1	J, T					*O0	Mist Gray, With Mini Spare
	5FX84RT6AA	1	J, T					*O0	Saddle, With Mini Spare
	5FX88RC3AA	1						*O0	Mist Gray, Outside Spare
	5FX88RT6AA	1						*O0	Saddle, Outside Spare
3									COVER, Spare Tire
	5FX76RC3AB	1	J, U					*O0	Mist Gray, With Compact Spare T155/90D16-Full
	5FX76RT6AB	1	J, U					*O0	Saddle, With Compact Spare T155/90D16-Full
	5FX79RC3AC	1						*O0	Mist Gray, Full Spare
	5FX79RT6AC	1						*O0	Saddle, Full Spare
4									COVER, Inside Spare Tire
	5FM74TC3	1						*O0	Mist Gray, Mini Spare
	5FM74TT6	1						*O0	Saddle, Mini Spare
5	55352692AA	1							LOOP, Cargo Tie DownFront
6	55352697AA	1							LOOP, Cargo Tie DownRear

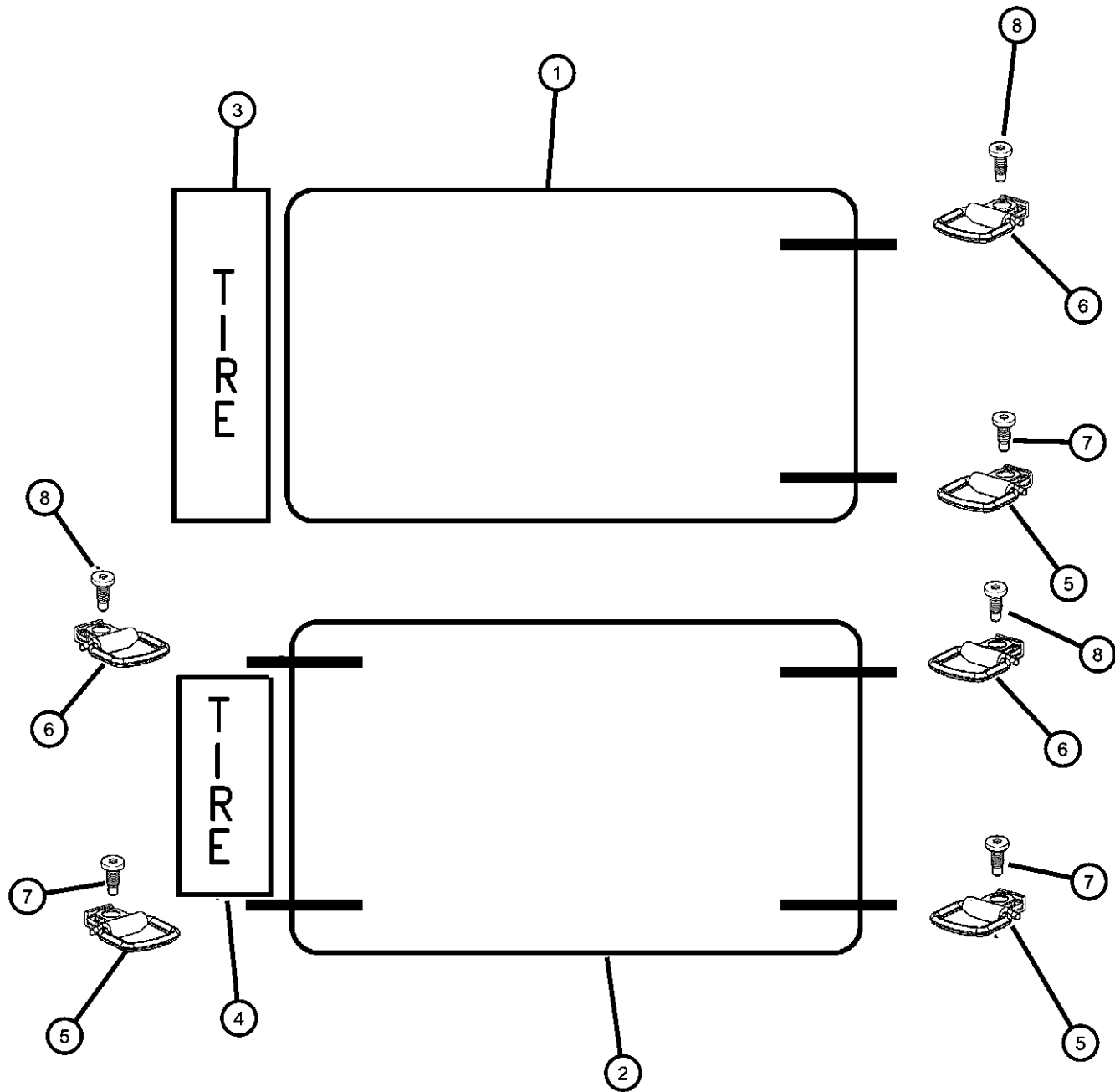
CHEROKEE (XJ)

SERIES	LINE	BODY	ENGINE	TRANSMISSION
L = LOWLINE	B = JEEP - 2WD (RHD) U = JEEP - 4WD (RHD) T = LHD - (2WD) J = JEEP - - LHD (4WD)	72 = 2DR (101.4 WB) 74 = 4 DR (101.4 WB)	ENC = 2.5L 4 Cyl Turbo Diesel Engine EPE = Engine - 2.5L Power Tech I-4 Cyl. ERH = 4.0L Power Tech I-6 Engine ENO = Engines - ALL 4/5 CYL Turbo Diesel ERO = Engines - All 4.0L 6 Cyl Gas EPO = ENGINES - ALL 2.5L 4 CYL GAS	DCB = Transmission - 4-Speed Manual,T3340 DDQ = 5-Speed Manual Transmission DDX = 5-Speed HD Manual Transmission DGD = 3-Spd. Automatic 30RH Transmission DGK = 4-Spd. Automatic 42RE Transmission DGS = 4-Speed Automatic AW4 Transmission DGT = 4-Spd. Automatic 46RE Transmission DGW = TRANSMISSION - 4-SPD. AUTOMATIC,44RE DGX = 4-Speed Automatic Transmission DGY = No Description Available DGZ = Transmission- 4-Spd. Automatic,MT643 DBB = ALL MANUAL TRANSMISSIONS DGO = TRANSMISSIONS - ALL AUTOMATIC

AR = use ase required - = Non illustrated part

Cover, Cargo
Figure IXJ-330

ITEM	PART NUMBER	QTY	LINE	SERIES	BODY	ENGINE	TRANS	TRIM	DESCRIPTION
7	34201400	2							SCREW AND FINISH WASHER, Oval Head TR, 40mm Long
8	34201400	2							SCREW DRILL, Oval Truss Head, .164x18x1.378, (NOT SERVICED)



CHEROKEE (XJ)

SERIES LINE
L = LOWLINE B = JEEP - 2WD (RHD)
U = JEEP - 4WD (RHD)
T = LHD - (2WD)
J = JEEP - - LHD (4WD)

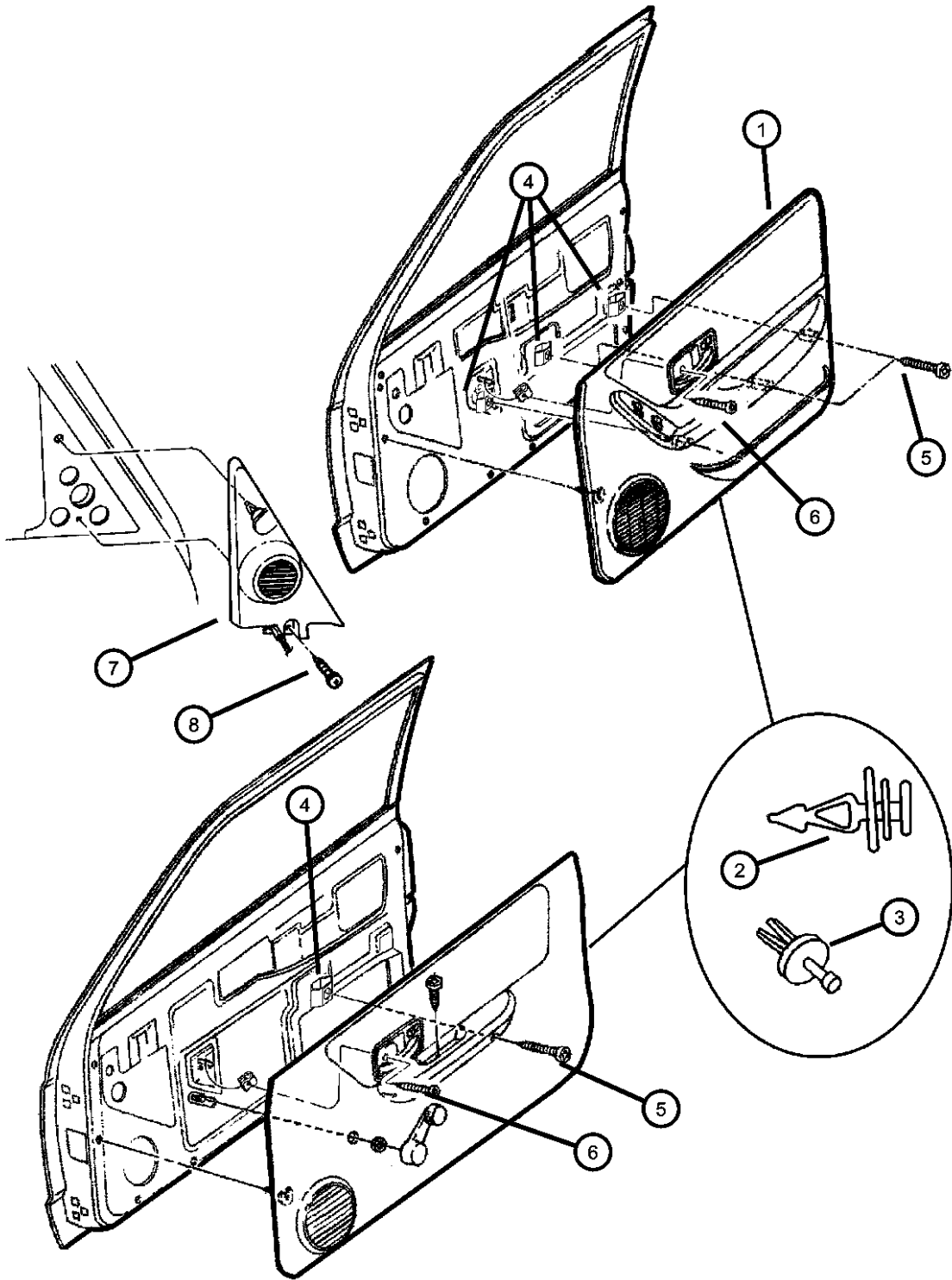
BODY
72 = 2DR (101.4 WB)
74 = 4 DR (101.4 WB)

ENGINE TRANSMISSION
ENC = 2.5L 4 Cyl Turbo Diesel Engine DCB = Transmission - 4-Speed Manual,T3340
EPE = Engine - 2.5L Power Tech I-4 Cyl. DDQ = 5-Speed Manual Transmission
ERH = 4.0L Power Tech I-6 Engine DDX = 5-Speed HD Manual Transmission
ENO = Engines - ALL 4/5 CYL Turbo Diesel DGD = 3-Spd. Automatic 30RH Transmission
ERO = Engines - All 4.0L 6 Cyl Gas DGK = 4-Spd. Automatic 42RE Transmission
EPO = ENGINES - ALL 2.5L 4 CYL GAS DGS = 4-Speed Automatic AW4 Transmission
DGT = 4-Spd. Automatic 46RE Transmission
DGW = TRANSMISSION - 4-SPD. AUTOMATIC,44RE
DGX = 4-Speed Automatic Transmission
DGY = No Description Available
DGZ = Transmission- 4-Spd. Automatic,MT643
DBB = ALL MANUAL TRANSMISSIONS
DGO = TRANSMISSIONS - ALL AUTOMATIC

AR = use ase required - = Non illustrated part

1998 XJ

**Interior Trim Parts, 2 Door
Figure IXJ-410**

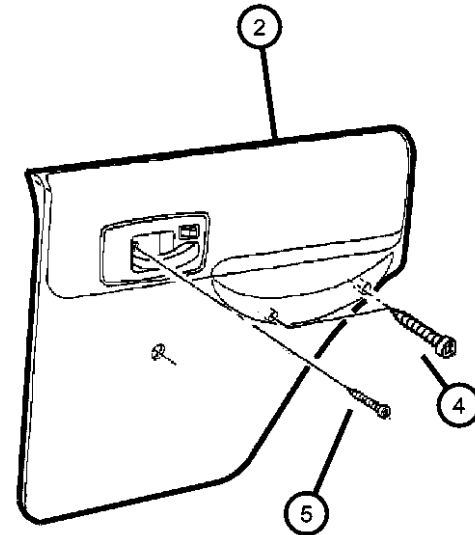
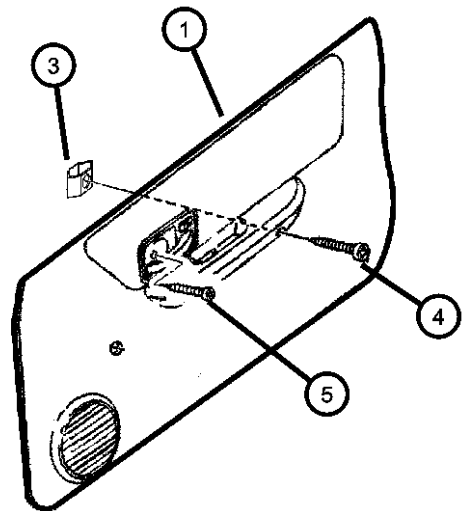
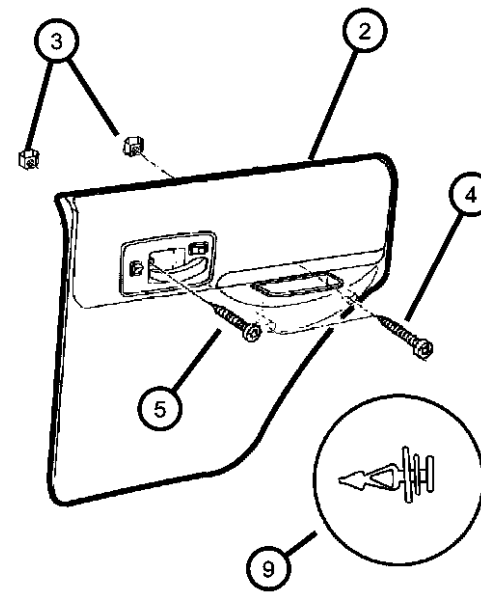
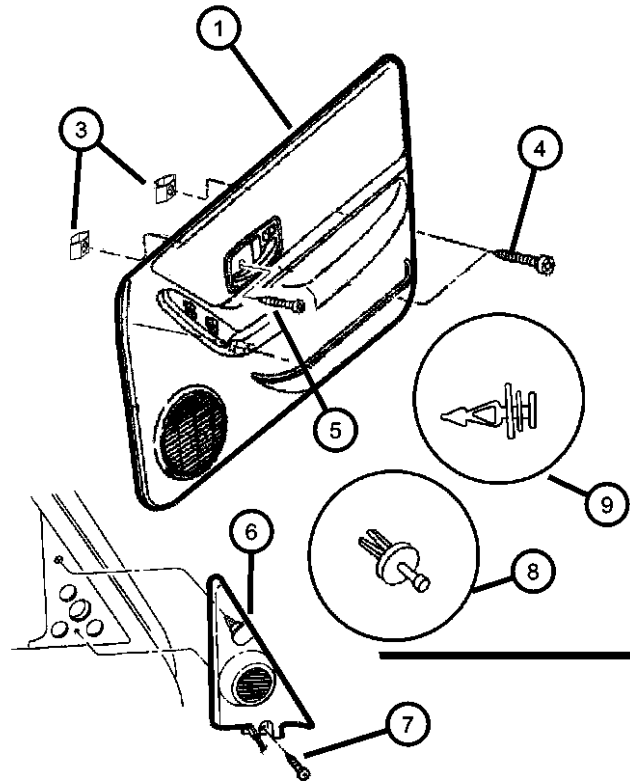


ITEM	PART NUMBER	QTY	LINE	SERIES	BODY	ENGINE	TRANS	TRIM	DESCRIPTION
1									PANEL, Front Door Trim
	0QL601C3	1	J, T		72			*00	Mist Gray, Vinyl, With Power, Up to 2-5-98, Right
	0QL601T6	1	J, T		72			*00	Saddle, Vinyl, With Power, Up to 2-5-98, Right
	0QL611C3	1	J, T		72			*00	Mist Gray, Vinyl, With Power, Up to 2-5-98, Left
	0QL611T6	1	J, T		72			*00	Saddle, Vinyl, With Power, Up to 2-5-98, Left
	0SR121C3AA	1	J, T		72			*00	Mist Gray, Vinyl, With Power, After 2-5-98, Right
	0SR121T6AA	1	J, T		72			*00	Saddle, Vinyl, With Power, After 2-5-98, Right
	0SR131C3AA	1	J, T		72			*00	Mist Gray, Vinyl, With Power, After 2-5-98, Left
	0SR131T6AA	1	J, T		72			*00	Saddle, Vinyl, With Power, After 2-5-98, Left
	5EH321C3AB	1	J, T		72			*00	Mist Gray, Vinyl, Without Power, Up to 2-5-98, Right
	5EH321T6AB	1	J, T		72			*00	Saddle, Vinyl, Without Power, Up to 2-5-98, Right
	5EH321C3AD	1	J, T		72			*00	Mist Gray, Vinyl, Without Power, After 2-5-98, Right
	5EH321T6AD	1	J, T		72			*00	Saddle, Vinyl, Without Power, After 2-5-98, Right
	5EH331C3AB	1	J, T		72			*00	Mist Gray, Vinyl, Without Power, Up to 2-5-98, Left
	5EH331T6AB	1	J, T		72			*00	Saddle, Vinyl, Without Power, Up to 2-5-98, Left
	5EH331C3AD	1	J, T		72			*00	Mist Gray, Vinyl, Without Power, After 2-5-98, Left

CHEROKEE (XJ)									
SERIES	LINE			BODY		ENGINE		TRANSMISSION	
L = LOWLINE	B = JEEP - 2WD (RHD) U = JEEP - 4WD (RHD) T = LHD - (2WD) J = JEEP - - LHD (4WD)			72 = 2DR (101.4 WB) 74 = 4 DR (101.4 WB)		ENC = 2.5L 4 Cyl Turbo Diesel Engine EPE = Engine - 2.5L Power Tech I-4 Cyl. ERH = 4.0L Power Tech I-6 Engine ENO = Engines - ALL 4/5 CYL Turbo Diesel ERO = Engines - All 4.0L 6 Cyl Gas EPO = ENGINES - ALL 2.5L 4 CYL GAS		DCB = Transmission - 4-Speed Manual,T3340 DDQ = 5-Speed Manual Transmission DDX = 5-Speed HD Manual Transmission DGD = 3-Spd. Automatic 30RH Transmission DGK = 4-Spd. Automatic 42RE Transmission DGS = 4-Speed Automatic AW4 Transmission DGT = 4-Spd. Automatic 46RE Transmission DGW = TRANSMISSION - 4-SPD. AUTOMATIC,44RE DGX = 4-Speed Automatic Transmission DGY = No Description Available DGZ = Transmission- 4-Spd. Automatic,MT643 DBB = ALL MANUAL TRANSMISSIONS DGO = TRANSMISSIONS - ALL AUTOMATIC	

AR = use ase required - = Non illustrated part

**Interior Trim Parts, 4 Door
Figure IXJ-420**



ITEM	PART NUMBER	QTY	LINE	SERIES	BODY	ENGINE	TRANS	TRIM	DESCRIPTION
1									PANEL, Front Door Trim
	0QL561C3	1	J, T		74			*00	Mist Gray, With Sales Codes CBW, JPA,JPB, Up to 2-5-98, Right
	0QL561T6	1	J, T		74			*00	Saddle, With Sales Codes CBW, JPA,JPB, Up to 2-5-98, Right
	0QL571C3	1	J, T		74			*00	Mist Gray, With Sales Codes CBW, JPA, JPB, GVB, Up to 2-5-98, Left
	0QL571T6	1	J, T		74			*00	Saddle, With Sales Codes CBW, JPA, JPB, GVB, Up to 2-5-98, Left
	0QL581C3	1	B, U		74			*00	Mist Gray,With Sales Codes CBW, JPA,JPB, Up to 2-5-98, Right
	0QL581T6	1	B, U		74			*00	Saddle, With Sales Codes CBW, JPA,JPB, Up to 2-5-98, Right
	0QL591C3	1	B, U		74			*00	Mist Gray, With Sales Codes CBW, JPA, JPB, GVB, Up to 2-5-98, Left
	0QL591T6	1	B, U		74			*00	Saddle, With Sales Codes CBW, JPA, JPB, GVB, Up to 2-5-98, Left
	0QL661C3	1	J, T		74			*00	Mist Gray, With Sales Code CBV, Up to 2-5-98, Right

CHEROKEE (XJ)

SERIES LINE
 L = LOWLINE B = JEEP - 2WD (RHD)
 U = JEEP - 4WD (RHD)
 T = LHD - (2WD)
 J = JEEP - - LHD (4WD)

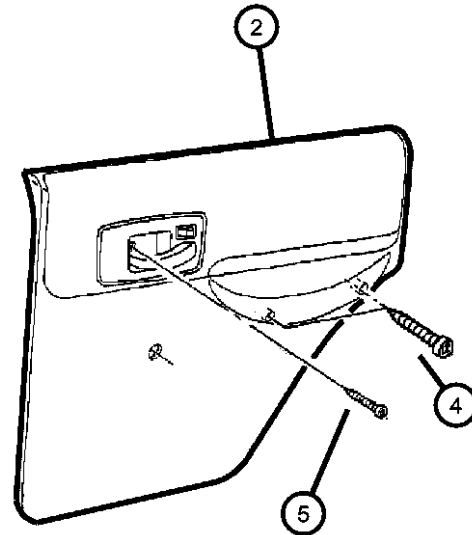
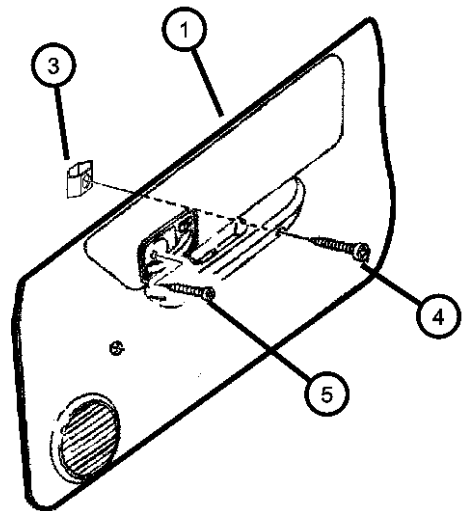
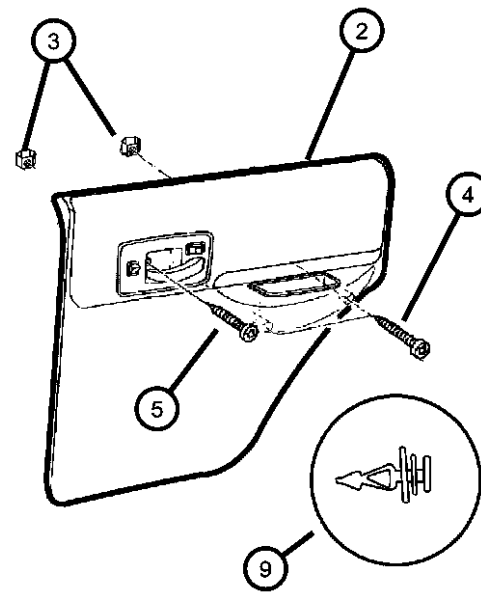
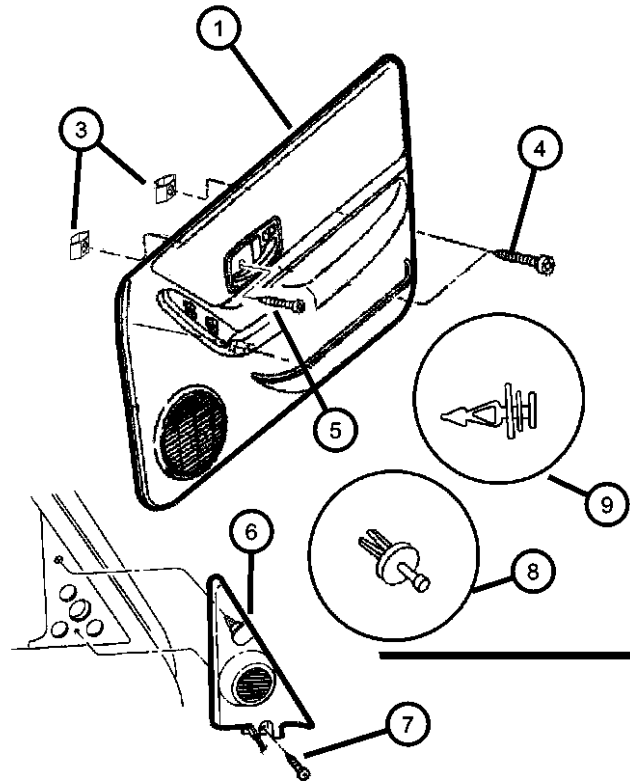
BODY
 72 = 2DR (101.4 WB)
 74 = 4 DR (101.4 WB)

ENGINE TRANSMISSION
 ENC = 2.5L 4 Cyl Turbo Diesel Engine DCB = Transmission - 4-Speed Manual,T3340
 EPE = Engine - 2.5L Power Tech I-4 Cyl. DDQ = 5-Speed Manual Transmission
 ERH = 4.0L Power Tech I-6 Transmission DDG = 5-Speed HD Manual Transmission
 Engine DGD = 3-Spd. Automatic 30RH Transmission
 ENO = Engines - ALL 4/5 CYL Turbo Diesel DGK = 4-Spd. Automatic 42RE Transmission
 ERO = Engines - All 4.0L 6 Cyl Gas DGS = 4-Speed Automatic AW4 Transmission
 EPO = ENGINES - ALL 2.5L 4 CYL GAS DGT = 4-Spd. Automatic 46RE Transmission
 DGW = TRANSMISSION - 4-SPD. AUTOMATIC,44RE
 DGX = 4-Speed Automatic Transmission
 DGY = No Description Available
 DGZ = Transmission- 4-Spd. Automatic,MT643
 DBB = ALL MANUAL TRANSMISSIONS
 DGO = TRANSMISSIONS - ALL AUTOMATIC

AR = use ase required - = Non illustrated part

1998 XJ

**Interior Trim Parts, 4 Door
Figure IXJ-420**



ITEM	PART NUMBER	QTY	LINE	SERIES	BODY	ENGINE	TRANS	TRIM	DESCRIPTION
	0SR061C3AA	1	B, U		74			*00	Mist Gray, With Sales Code CBV, After 2-5-98, Right
	0SR061T6AA	1	B, U		74			*00	Saddle, With Sales Code CBV, After 2-5-98, Right
	0SR071C3AA	1	B, U		74			*00	Mist Gray, With Sales Code CBV, After 2-5-98, Left
	0SR071T6AA	1	B, U		74			*00	Saddle, With Sales Code CBV, After 2-5-98, Left
	0SR081C3AA	1	J, T		74			*00	Mist Gray, With Sales Code CBZ, After 2-5-98, Right
	0SR081T6AA	1	J, T		74			*00	Saddle, With Sales Code CBZ, After 2-5-98, Right
	0SR091C3AA	1	J, T		74			*00	Mist Gray, With Sales Code CBZ, After 2-5-98, Left
	0SR091T6AA	1	J, T		74			*00	Saddle, With Sales Code CBZ, After 2-5-98, Left
	0SR101C3AA	1	B, U		74			*00	Mist Gray, With Sales Code CBZ, After 2-5-98, Right
	0SR101T6AA	1	B, U		74			*00	Saddle, With Sales Code CBZ, After 2-5-98, Right
	0SR111C3AA	1	B, U		74			*00	Mist Gray, With Sales Code CBZ, After 2-5-98, Left
	0SR111T6AA	1	B, U		74			*00	Saddle, With Sales Code CBZ, After 2-5-98, Left
	5EH241C3AB	1	J, T		74			*00	Mist Gray, With Sales Code CBW, Without Power, Up to 2-5-98, Right
		1	B, U		74			*00	Mist Gray, With Sales Code CBW, Without Power, Up to 2-5-98, Right

CHEROKEE (XJ)

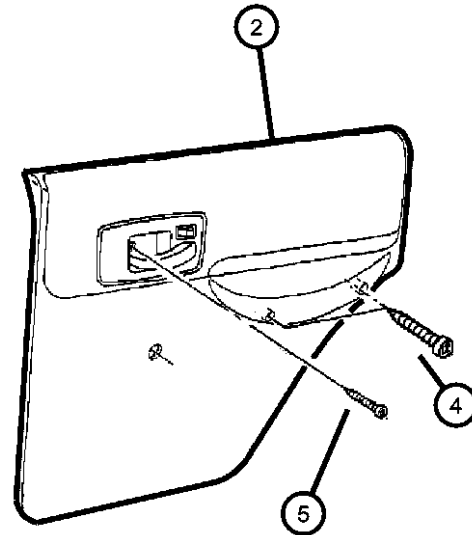
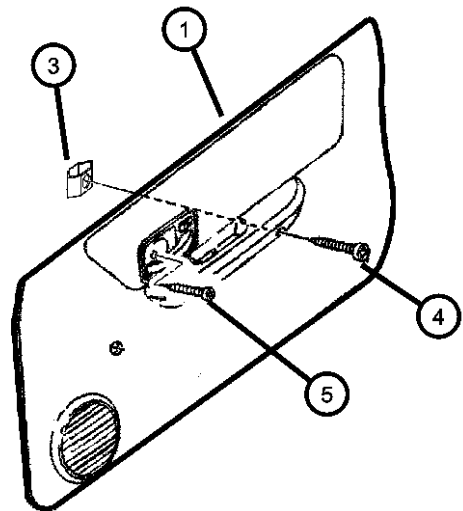
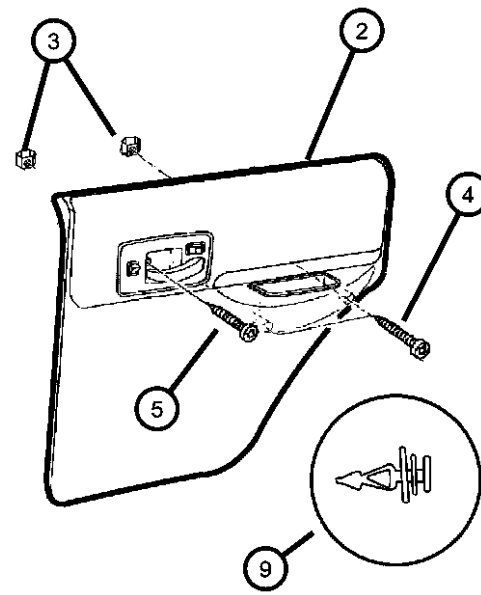
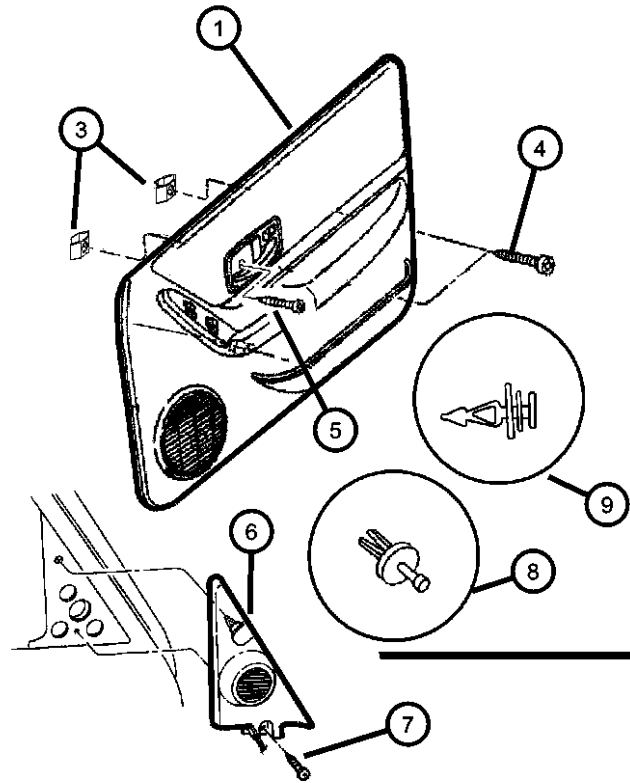
SERIES LINE
 L = LOWLINE B = JEEP - 2WD (RHD)
 U = JEEP - 4WD (RHD)
 T = LHD - (2WD)
 J = JEEP - - LHD (4WD)

BODY
 72 = 2DR (101.4 WB)
 74 = 4 DR (101.4 WB)

ENGINE TRANSMISSION
 ENC = 2.5L 4 Cyl Turbo Diesel Engine DCB = Transmission - 4-Speed Manual,T3340
 EPE = Engine - 2.5L Power Tech I-4 Cyl. DDQ = 5-Speed Manual Transmission
 ERH = 4.0L Power Tech I-6 Engine DDX = 5-Speed HD Manual Transmission
 ENO = Engines - ALL 4/5 CYL Turbo Diesel DGD = 3-Spd. Automatic 30RH Transmission
 ERO = Engines - All 4.0L 6 Cyl Gas DGK = 4-Spd. Automatic 42RE Transmission
 EPO = ENGINES - ALL 2.5L 4 CYL GAS DGS = 4-Speed Automatic AW4 Transmission
 DGT = 4-Spd. Automatic 46RE Transmission
 DGW = TRANSMISSION - 4-SPD. AUTOMATIC,44RE
 DGX = 4-Speed Automatic Transmission
 DGY = No Description Available
 DGZ = Transmission- 4-Spd. Automatic,MT643
 DBB = ALL MANUAL TRANSMISSIONS
 DGO = TRANSMISSIONS - ALL AUTOMATIC

AR = use ase required - = Non illustrated part

**Interior Trim Parts, 4 Door
Figure IXJ-420**



ITEM	PART NUMBER	QTY	LINE	SERIES	BODY	ENGINE	TRANS	TRIM	DESCRIPTION
		1	B, U		74			*00	Mist Gray, With Sales Code CBW, Without Power, After 2-5-98, Left
	5EH251T6AD	1	J, T		74			*00	Saddle, With Sales Code CBW, Without Power, After 2-5-98, Left
		1	B, U		74			*00	Saddle, With Sales Code CBW, Without Power, After 2-5-98, Left
	5EH261C3AB	1	B, U		74			*00	Mist Gray, With Sales Code CBW, Without Power Locks, Windows, Doors, With Power Mirrors, Up to 2-5-98, Right
	5EH261T6AB	1	B, U		74			*00	Saddle, With Sales Code CBW, Without Power Locks, Windows, Doors, With Power Mirrors, Up to 2-5-98, Right
	5EH261C3AE	1	B, U		74			*00	Mist Gray, With Sales Code CBW, Without Power Locks, Windows, Doors, With Power Mirrors, After 2-5-98, Right
	5EH261T6AE	1	B, U		74			*00	Saddle, With Sales Code CBW, Without Power Locks, Windows, Doors, With Power Mirrors, After 2-5-98, Right
	5EH271C3AB	1	J, T		74			*00	Mist Gray, With Sales Code CBW, Without Power Locks, Windows, Doors, With Power Mirrors, Up to 2-5-98, Left
	5EH271T6AB	1	J, T		74			*00	Saddle, With Sales Code CBW, Without Power Locks, Windows, Doors, With Power Mirrors, Up to 2-5-98, Left

CHEROKEE (XJ)

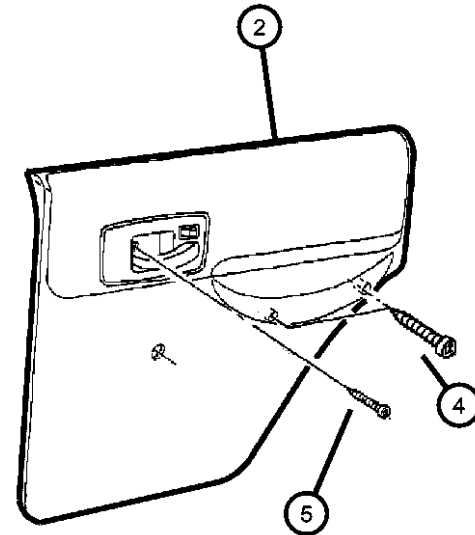
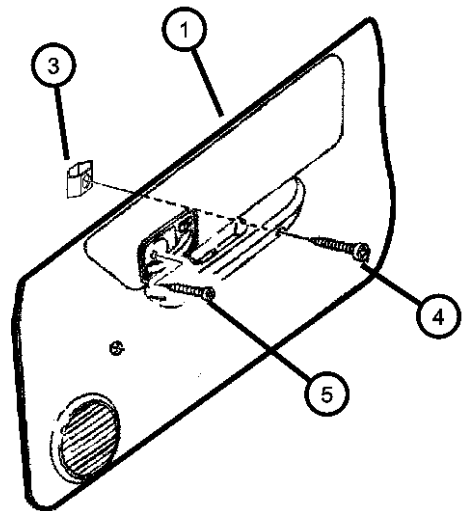
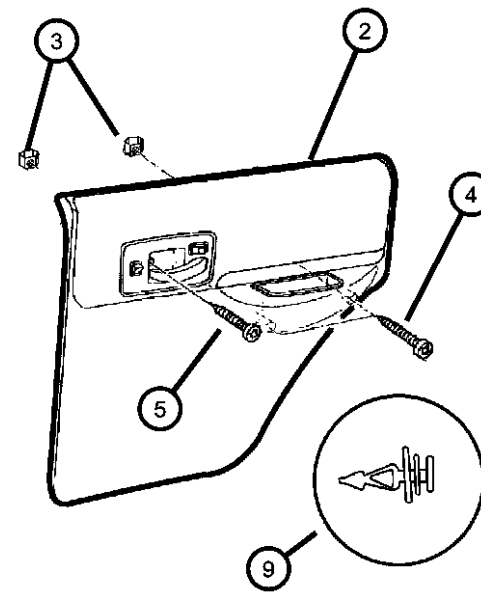
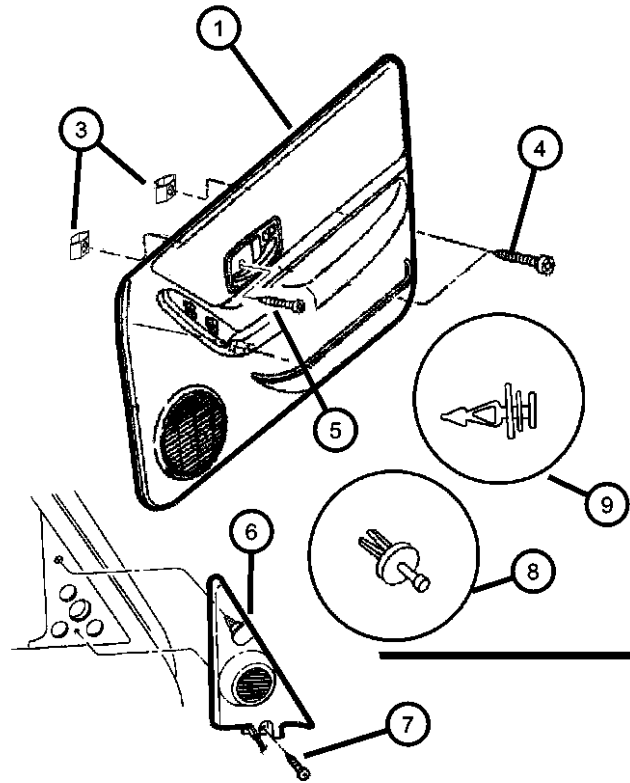
SERIES LINE
 L = LOWLINE B = JEEP - 2WD (RHD)
 U = JEEP - 4WD (RHD)
 T = LHD - (2WD)
 J = JEEP - - LHD (4WD)

BODY
 72 = 2DR (101.4 WB)
 74 = 4 DR (101.4 WB)

ENGINE TRANSMISSION
 ENC = 2.5L 4 Cyl Turbo Diesel Engine DCB = Transmission - 4-Speed Manual,T3340
 EPE = Engine - 2.5L Power Tech I-4 Cyl. DDQ = 5-Speed Manual Transmission
 ERH = 4.0L Power Tech I-6 Transmission DDX = 5-Speed HD Manual Transmission
 Engine DGD = 3-Spd. Automatic 30RH Transmission
 ENO = Engines - ALL 4/5 CYL Turbo Diesel DGK = 4-Spd. Automatic 42RE Transmission
 ERO = Engines - All 4.0L 6 Cyl Gas DGS = 4-Speed Automatic AW4 Transmission
 EPO = ENGINES - ALL 2.5L 4 CYL GAS DGT = 4-Spd. Automatic 46RE Transmission
 DGW = TRANSMISSION - 4-SPD. AUTOMATIC,44RE
 DGX = 4-Speed Automatic Transmission
 DGY = No Description Available
 DGZ = Transmission- 4-Spd. Automatic,MT643
 DBB = ALL MANUAL TRANSMISSIONS
 DGO = TRANSMISSIONS - ALL AUTOMATIC

AR = use ase required - = Non illustrated part

**Interior Trim Parts, 4 Door
Figure IXJ-420**



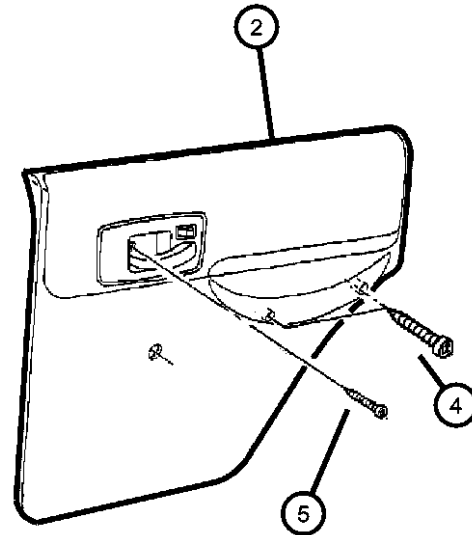
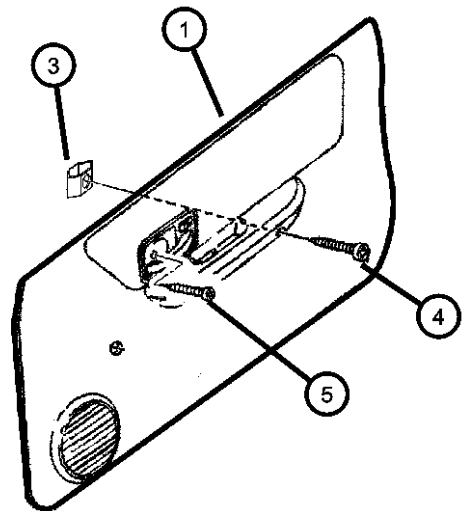
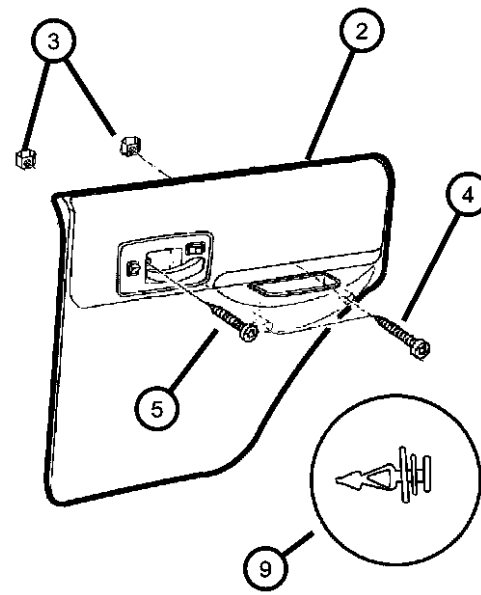
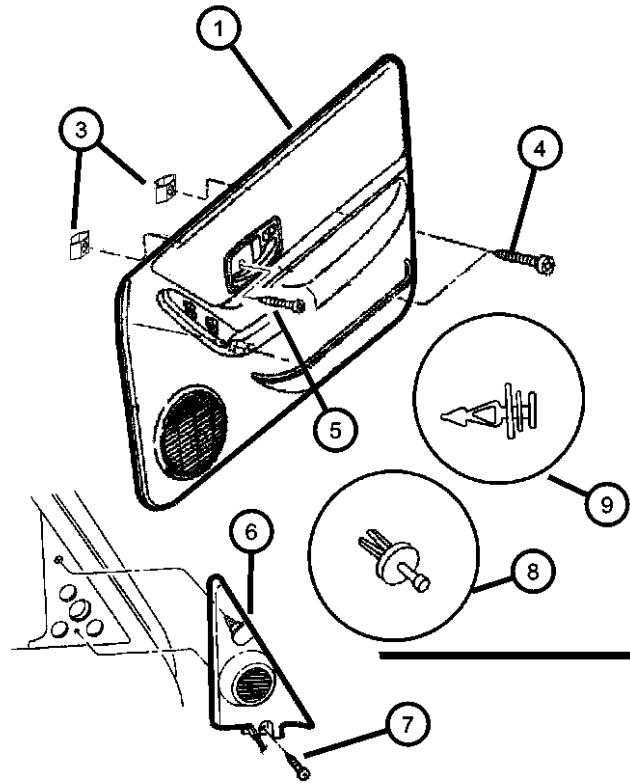
ITEM	PART NUMBER	QTY	LINE	SERIES	BODY	ENGINE	TRANS	TRIM	DESCRIPTION
	5EH271C3AE	1	J, T		74			*00	Mist Gray, With Sales Code CBW, Without Power Locks, Windows, Doors, With Power Mirrors, After 2-5-98, Left
	5EH271T6AE	1	J, T		74			*00	Saddle, With Sales Code CBW, Without Power Locks, Windows, Doors, With Power Mirrors, After 2-5-98, Left
2	0QL781C3	1			74			*00	Mist Gray, With Sales Codes CBW,JPA, JPB, Right
	0QL781T6	1			74			*00	Saddle, With Sales Codes CBW,JPA, JPB, Right
	0QL791C3	1			74			*00	Mist Gray, With Sales Codes CBW,JPA, JPB, Left
	0QL791T6	1			74			*00	Saddle, With Sales Codes CBW,JPA, JPB, Left
	0QL801C3	1			74			*00	Mist Gray, With Sales Code CBV, Right
	0QL801T6	1			74			*00	Saddle, With Sales Code CBV, Right
	0QL811C3	1			74			*00	Mist Gray, With Sales Code CBV, Left
	0QL811T6	1			74			*00	Saddle, With Sales Code CBV, Left
	0QL821C3	1			74			*00	Mist Gray, With Sales Code CBZ, Right
	0QL821T6	1			74			*00	Saddle, With Sales Code CBZ, Right
	0QL831C3	1			74			*00	Mist Gray, With Sales Code CBZ, Left

PANEL, Rear Door Trim

CHEROKEE (XJ)				
SERIES	LINE	BODY	ENGINE	TRANSMISSION
L = LOWLINE	B = JEEP - 2WD (RHD) U = JEEP - 4WD (RHD) T = LHD - (2WD) J = JEEP - - LHD (4WD)	72 = 2DR (101.4 WB) 74 = 4 DR (101.4 WB)	ENC = 2.5L 4 Cyl Turbo Diesel Engine EPE = Engine - 2.5L Power Tech I-4 Cyl. ERH = 4.0L Power Tech I-6 Engine ENO = Engines - ALL 4/5 CYL Turbo Diesel ERO = Engines - All 4.0L 6 Cyl Gas EPO = ENGINES - ALL 2.5L 4 CYL GAS	DCB = Transmission - 4-Speed Manual,T3340 DDQ = 5-Speed Manual Transmission DDX = 5-Speed HD Manual Transmission DGD = 3-Spd. Automatic 30RH Transmission DGN = 4-Spd. Automatic 42RE Transmission DGS = 4-Speed Automatic AW4 Transmission DGT = 4-Spd. Automatic 46RE Transmission DGW = TRANSMISSION - 4-SPD. AUTOMATIC,44RE DGX = 4-Speed Automatic Transmission DGY = No Description Available DGZ = Transmission- 4-Spd. Automatic,MT643 DBB = ALL MANUAL TRANSMISSIONS DGO = TRANSMISSIONS - ALL AUTOMATIC

AR = use ase required - = Non illustrated part

**Interior Trim Parts, 4 Door
Figure IXJ-420**



ITEM	PART NUMBER	QTY	LINE	SERIES	BODY	ENGINE	TRANS	TRIM	DESCRIPTION
	0QL831T6	1			74			*00	Saddle, With Sales Code CBZ, Left
	5EG821C3AB	1			74			*00	Mist Gray, With Sales Code CBW, Without Power, Right
	5EG821T6AB	1			74			*00	Saddle, With Sales Code CBW, Without Power, Right
	5EG831C3AB	1			74			*00	Mist Gray, With Sales Code CBW, Without Power, Left
	5EG831T6AB	1			74			*00	Saddle, With Sales Code CBW, Without Power, Left
3	06029509	6			74				U-NUT, .250-14
4	06029509	6							SCREW, Pan Head Tapping, .250x14x1.772, (NOT SERVICED)
5	06029509	6							SCREW, Remote Control Handle, M4x.7x16, (NOT SERVICED)
6									COVER, Mirror Opening
	5FM02RC3AB	1						*00	Mist Gray, With 2 or 4 Speaker System, Right
	5FM02RT6AB	1						*00	Saddle, With 2 or 4 Speaker System, Right
	5FM03RC3AB	1						*00	Mist Gray, With 2 or 4 Speaker System, Left
	5FM03RT6AB	1						*00	Saddle, With 2 or 4 Speaker System, Left
	5FV14RC3AB	1						*00	Mist Gray, With 6 Speaker System, Right
	5FV14RT6AB	1						*00	Saddle, With 6 Speaker System, Right
	5FV15RC3AB	1						*00	Mist Gray, With 6 Speaker System, Left

CHEROKEE (XJ)

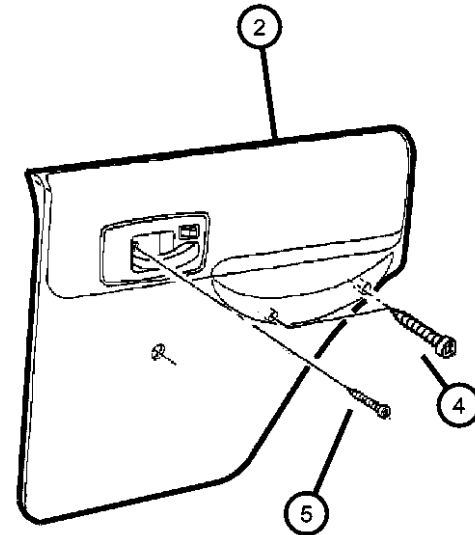
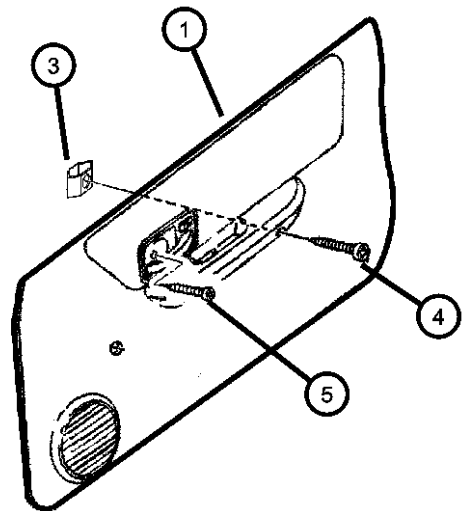
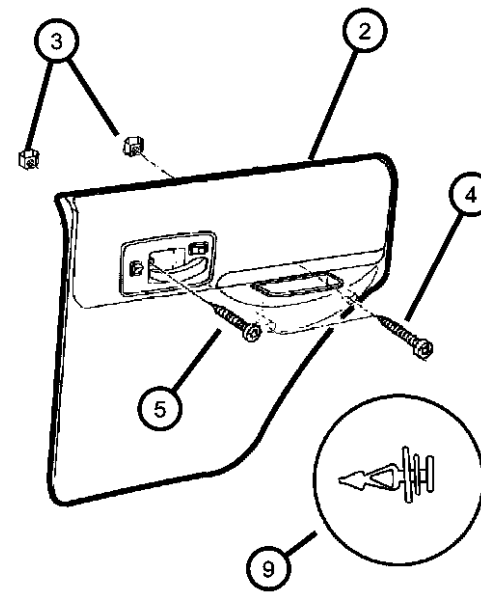
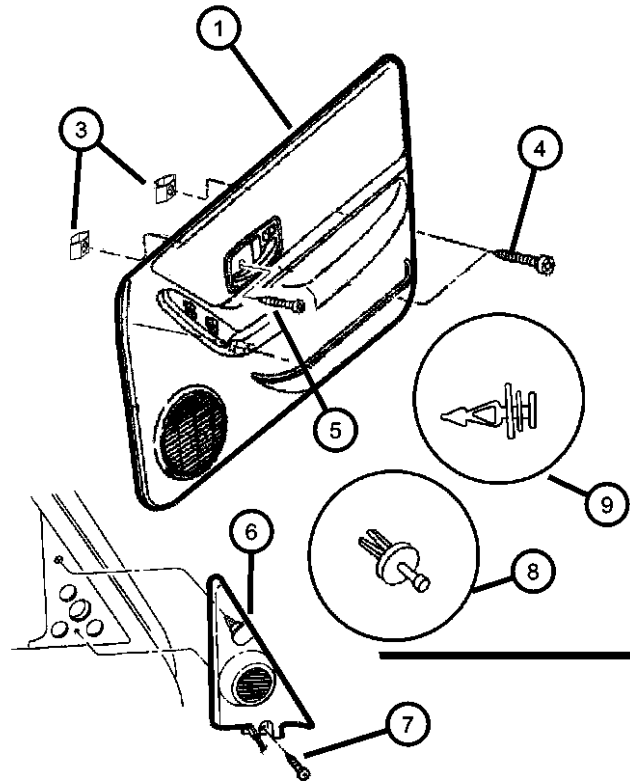
SERIES LINE
 L = LOWLINE B = JEEP - 2WD (RHD)
 U = JEEP - 4WD (RHD)
 T = LHD - (2WD)
 J = JEEP - - LHD (4WD)

BODY
 72 = 2DR (101.4 WB)
 74 = 4 DR (101.4 WB)

ENGINE TRANSMISSION
 ENC = 2.5L 4 Cyl Turbo Diesel Engine DCB = Transmission - 4-Speed Manual,T3340
 EPE = Engine - 2.5L Power Tech I-4 Cyl. DDQ = 5-Speed Manual Transmission
 ERH = 4.0L Power Tech I-6 Engine DDX = 5-Speed HD Manual Transmission
 ENO = Engines - ALL 4/5 CYL Turbo Diesel DGD = 3-Spd. Automatic 30RH Transmission
 ERO = Engines - All 4.0L 6 Cyl Gas DGK = 4-Spd. Automatic 42RE Transmission
 EPO = ENGINES - ALL 2.5L 4 CYL GAS DGS = 4-Speed Automatic AW4 Transmission
 DGT = 4-Spd. Automatic 46RE Transmission
 DGW = TRANSMISSION - 4-SPD. AUTOMATIC,44RE
 DGX = 4-Speed Automatic Transmission
 DGY = No Description Available
 DGZ = Transmission- 4-Spd. Automatic,MT643
 DBB = ALL MANUAL TRANSMISSIONS
 DGO = TRANSMISSIONS - ALL AUTOMATIC

AR = use ase required - = Non illustrated part

**Interior Trim Parts, 4 Door
Figure IXJ-420**



ITEM	PART NUMBER	QTY	LINE	SERIES	BODY	ENGINE	TRANS	TRIM	DESCRIPTION
	5FV15RT6AB	1						*00	Saddle, With 6 Speaker System, Left
7	5FV15RT6AB	1							SCREW, .164-18x.625, (NOT SERVICED),
8	06505009AA	AR							FASTENER, Door Trim Panel, Black
9	06504014	AR							FASTENER, Door Trim Panel, White
-10	06032723	2							SCREW, Self Tapping, M4.2x1.69x19.05, Used on Front Door Trim Panel Tab

CHEROKEE (XJ)

SERIES LINE
 L = LOWLINE B = JEEP - 2WD (RHD)
 U = JEEP - 4WD (RHD)
 T = LHD - (2WD)
 J = JEEP - - LHD (4WD)

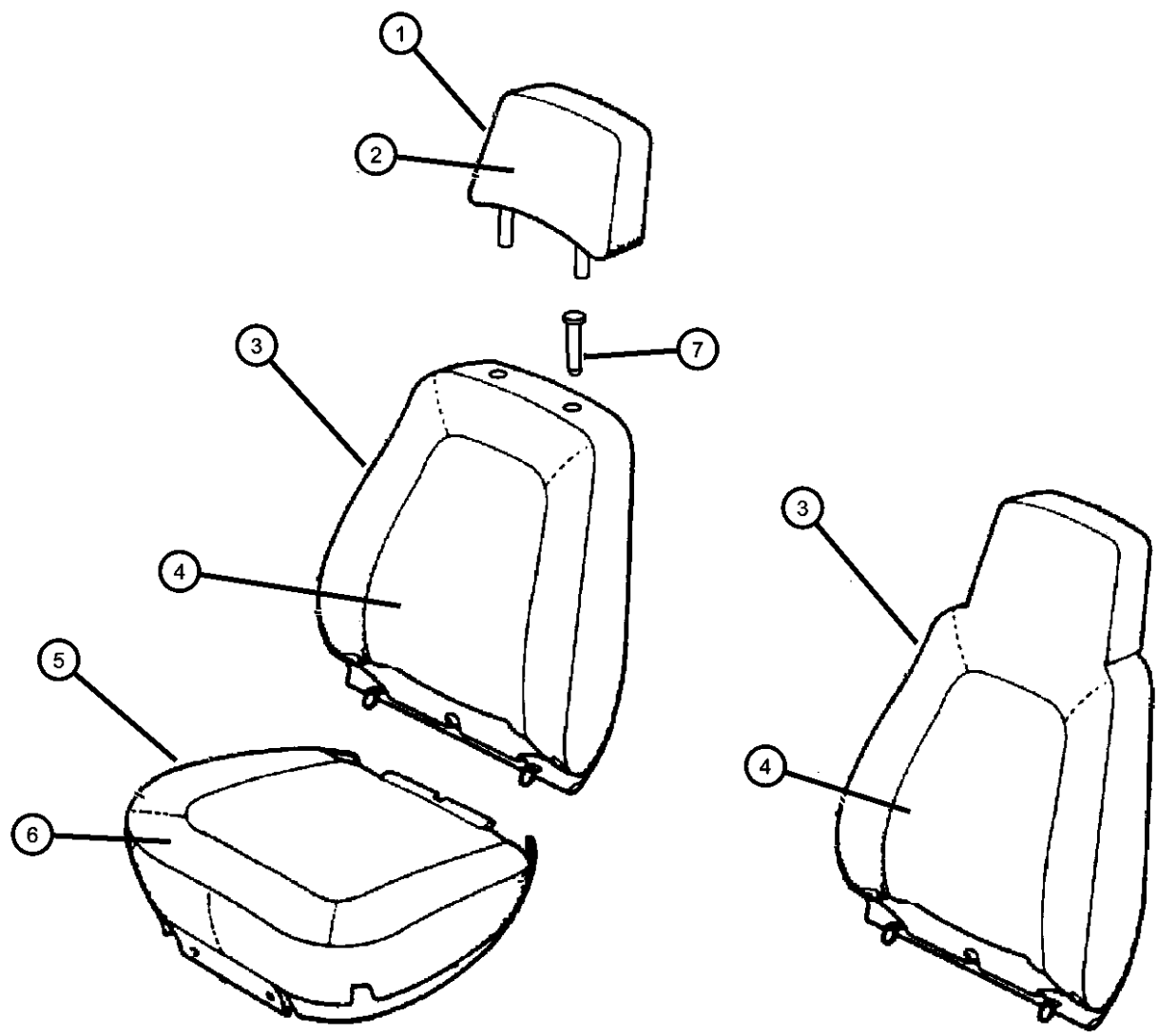
BODY
 72 = 2DR (101.4 WB)
 74 = 4 DR (101.4 WB)

ENGINE TRANSMISSION
 ENC = 2.5L 4 Cyl Turbo Diesel Engine DCB = Transmission - 4-Speed Manual,T3340
 EPE = Engine - 2.5L Power Tech I-4 Cyl. DDQ = 5-Speed Manual Transmission
 ERH = 4.0L Power Tech I-6 Transmission DDX = 5-Speed HD Manual Transmission
 Engine DGD = 3-Spd. Automatic 30RH Transmission
 ENO = Engines - ALL 4/5 CYL Turbo Diesel DGK = 4-Spd. Automatic 42RE Transmission
 ERO = Engines - All 4.0L 6 Cyl Gas DGS = 4-Speed Automatic AW4 Transmission
 EPO = ENGINES - ALL 2.5L 4 CYL GAS DGT = 4-Spd. Automatic 46RE Transmission
 DGW = TRANSMISSION - 4-SPD. AUTOMATIC,44RE
 DGX = 4-Speed Automatic Transmission
 DGY = No Description Available
 DGZ = Transmission- 4-Spd. Automatic,MT643
 DBB = ALL MANUAL TRANSMISSIONS
 DGO = TRANSMISSIONS - ALL AUTOMATIC

AR = use ase required - = Non illustrated part

Seat Covers and Seat Assemblies
Figure IXJ-510

ITEM	PART NUMBER	QTY	LINE	SERIES	BODY	ENGINE	TRANS	TRIM	DESCRIPTION
1	0QW181C3AA	2	J, T		74			*DL	HEADREST, Front Mist Gray
		2	B, U		74			*DL	Mist Gray
		2	J, T		74			*DL	Saddle
		2	B, U		74			*DL	Saddle
	0QW631C3AA	2	J, T		74			*XJ	Mist Gray
		2	J, T		72			*XJ	Mist Gray
		2	B, U		74			*XJ	Mist Gray
		2	B, U		74			*XJ	Saddle
	0QW631T6AA	2	J, T		72			*XJ	Saddle
		2	J, T		74			*XJ	Saddle
		2	B, U		74			*XJ	Saddle
		2	B, U		74			*XJ	Saddle
2	0QW201C3AA	2	B, U		74			*DL	COVER, Seat Headrest Mist Gray
		2	J, T		74			*DL	Mist Gray
		2	J, T		74			*DL	Saddle
		2	B, U		74			*DL	Saddle
	0QW651C3AA	2	J, T		74			*XJ	Mist Gray
		2	J, T		72			*XJ	Mist Gray
		2	B, U		74			*XJ	Mist Gray
		2	B, U		74			*XJ	Saddle
	0QW651T6AA	2	J, T		74			*XJ	Saddle
		2	J, T		72			*XJ	Saddle
		2	B, U		74			*XJ	Saddle
		2	B, U		74			*XJ	Saddle
3								BACK, Front Seat	

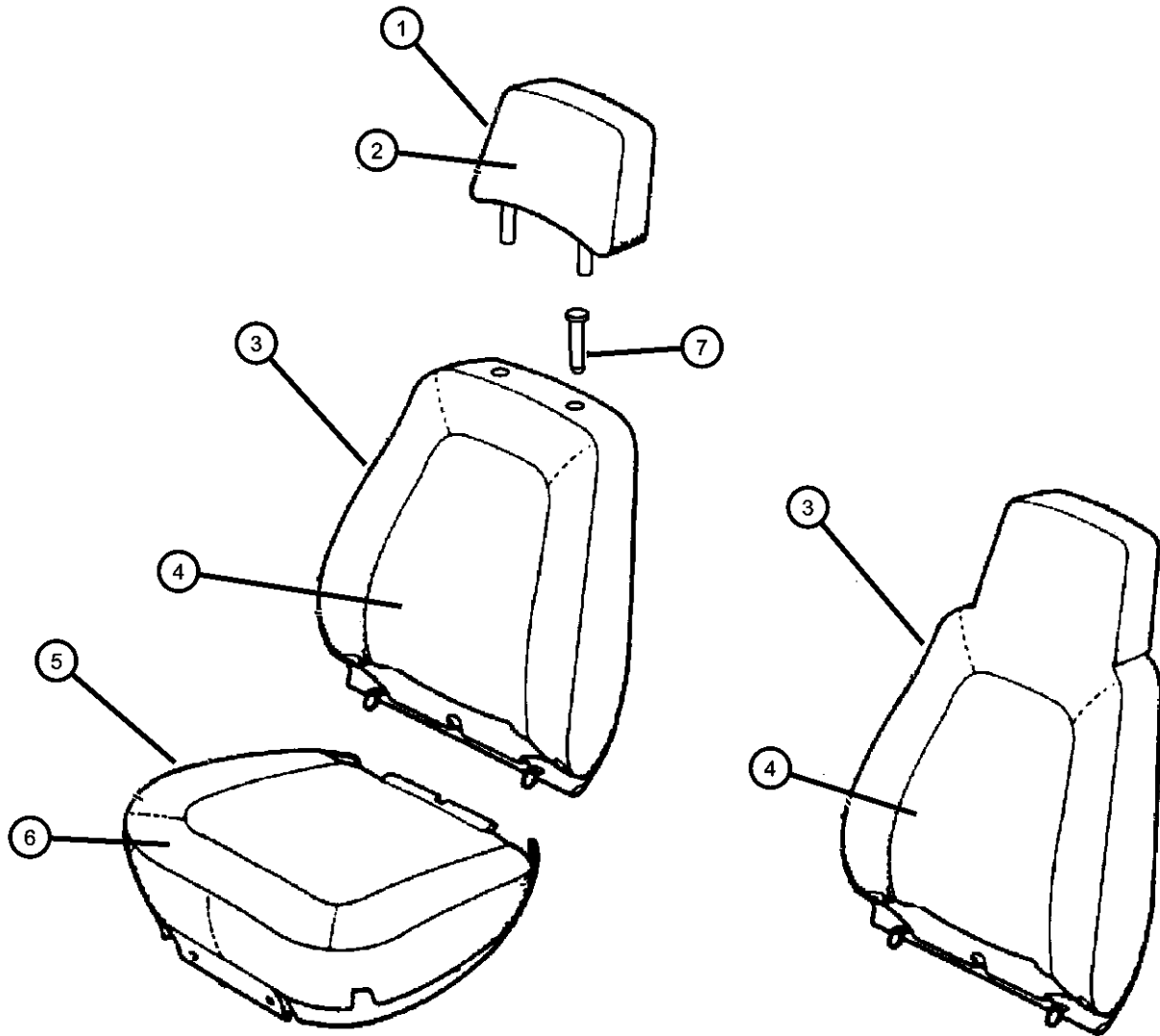


CHEROKEE (XJ)
SERIES **LINE** **BODY** **ENGINE** **TRANSMISSION**
L = LOWLINE B = JEEP - 2WD (RHD) 72 = 2DR (101.4 WB) ENC = 2.5L 4 Cyl Turbo Diesel Engine DCB = Transmission - 4-Speed Manual,T3340
U = JEEP - 4WD (RHD) 74 = 4 DR (101.4 WB) EPE = Engine - 2.5L Power Tech I-4 Cyl. DDQ = 5-Speed Manual Transmission
T = LHD - (2WD) ERH = 4.0L Power Tech I-6 Engine DDX = 5-Speed HD Manual Transmission
J = JEEP - - LHD (4WD) ENO = Engines - ALL 4/5 CYL Turbo Diesel DGD = 3-Spd. Automatic 30RH Transmission
ERO = Engines - All 4.0L 6 Cyl Gas DGS = 4-Speed Automatic AW4 Transmission
EPO = ENGINES - ALL 2.5L 4 CYL GAS DGT = 4-Spd. Automatic 46RE Transmission
DGW = TRANSMISSION - 4-SPD. AUTOMATIC,44RE
DGX = 4-Speed Automatic Transmission
DGY = No Description Available
DGZ = Transmission- 4-Spd. Automatic,MT643
DBB = ALL MANUAL TRANSMISSIONS
DGO = TRANSMISSIONS - ALL AUTOMATIC

AR = use ase required - = Non illustrated part

Seat Covers and Seat Assemblies
Figure IXJ-510

ITEM	PART NUMBER	QTY	LINE	SERIES	BODY	ENGINE	TRANS	TRIM	DESCRIPTION
4									COVER, Seat Back
	0QV951C3AA	2	J, T, U		72			*B6	Mist Gray, Highback
		2	J, T		74			*B6	Mist Gray, Highback
		2	B, U		74			*B6	Mist Gray, Highback
	0QV951T6AA	2	J, T, U		72			*B6	Saddle, Highback
		2	J, T		74			*B6	Saddle, Highback
		2	B, U		74			*B6	Saddle, Highback
	0QW041C3AA	2	J, T		74			*DL	Mist Gray, Lowback
		2	B, U		74			*DL	Mist Gray, Lowback
	0QW041T6AA	2	J, T		74			*DL	Saddle, Lowback
		2	B, U		74			*DL	Saddle, Lowback
	0QW241C3AA	2	J, T		72			*M5	Mist Gray, Highback
		2	J, T		74			*M5	Mist Gray, Highback
		2	B, U		74			*M5	Mist Gray, Highback
	0QW241T6AA	2	J, T		72			*M5	Saddle, Highback
		2	J, T		74			*M5	Saddle, Highback
		2	B, U		74			*M5	Saddle, Highback
	0QW461C3AA	2	J, T		74			*XJ	Mist Gray, Lowback
		2	J, T		72			*XJ	Mist Gray, Lowback
		2	B, U		74			*XJ	Mist Gray, Lowback
	0QW461T6AA	2	J, T		74			*XJ	Saddle, Lowback
		2	J, T		72			*XJ	Saddle, Lowback



CHEROKEE (XJ)

SERIES LINE
 L = LOWLINE B = JEEP - 2WD (RHD)
 U = JEEP - 4WD (RHD)
 T = LHD - (2WD)
 J = JEEP - - LHD (4WD)

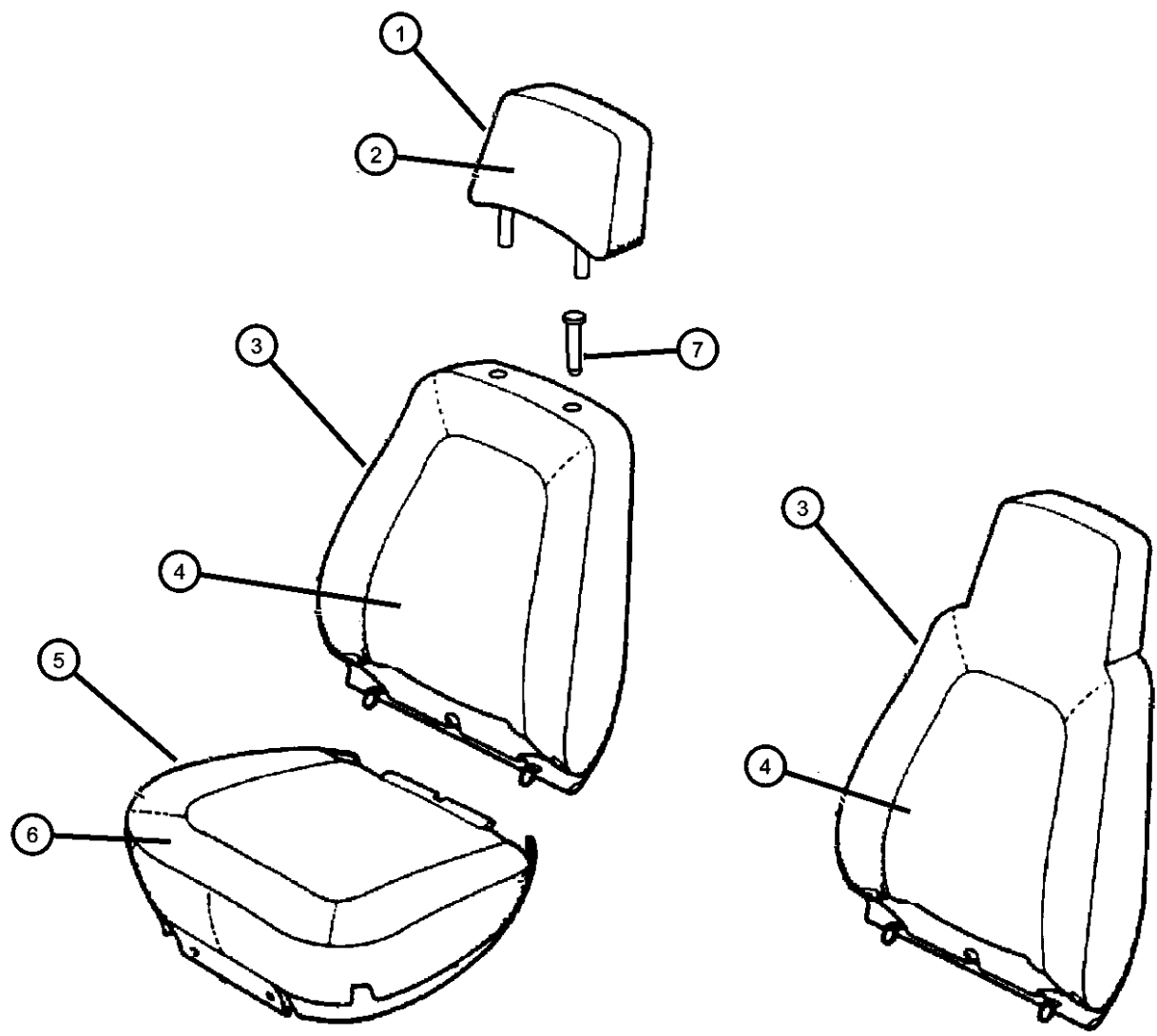
BODY
 72 = 2DR (101.4 WB)
 74 = 4 DR (101.4 WB)

ENGINE TRANSMISSION
 ENC = 2.5L 4 Cyl Turbo Diesel Engine
 EPE = Engine - 2.5L Power Tech I-4 Cyl.
 ERH = 4.0L Power Tech I-6 Engine
 ENO = Engines - ALL 4/5 CYL Turbo Diesel
 ERO = Engines - All 4.0L 6 Cyl Gas
 EPO = ENGINES - ALL 2.5L 4 CYL GAS
 DCB = Transmission - 4-Speed Manual,T3340
 DDQ = 5-Speed Manual Transmission
 DDG = 5-Speed HD Manual Transmission
 DGD = 3-Spd. Automatic 30RH Transmission
 DGK = 4-Spd. Automatic 42RE Transmission
 DGS = 4-Speed Automatic AW4 Transmission
 DGT = 4-Spd. Automatic 46RE Transmission
 DGW = TRANSMISSION - 4-SPD. AUTOMATIC,44RE
 DGX = 4-Speed Automatic Transmission
 DGY = No Description Available
 DGZ = Transmission- 4-Spd. Automatic,MT643
 DBB = ALL MANUAL TRANSMISSIONS
 DG0 = TRANSMISSIONS - ALL AUTOMATIC

AR = use ase required - = Non illustrated part

Seat Covers and Seat Assemblies
Figure IXJ-510

ITEM	PART NUMBER	QTY	LINE	SERIES	BODY	ENGINE	TRANS	TRIM	DESCRIPTION
		2	B, U		74			*XJ	Saddle, Lowback
5									FRAME, Front Seat
	04856470	1	J, T, U		72			*B6	Right
		1	J, T		74			*B6	Right
		1	J, T		72			*M5	Right
		1	J, T		74			*M5	Right
		1	J, T		74			*XJ	Right
		1	J, T		72			*XJ	Right
		1	B, U		74			*XJ	Right
		1	J, T		74			*X5	Right
		1	B, U		74			*M5	Right
		1	B, U		74			*B6	Right
		1	J, T		74			*DL	Right
		1	B, U		74			*DL	Right
	04856471	1	J, T, U		72			*B6	Left
		1	J, T		74			*B6	Left
		1	J, T		74			*DL	Left
		1	J, T		72			*M5	Left
		1	J, T		74			*M5	Left
		1	J, T		72			*XJ	Left
		1	J, T		74			*XJ	Left
		1	B, U		74			*XJ	Left

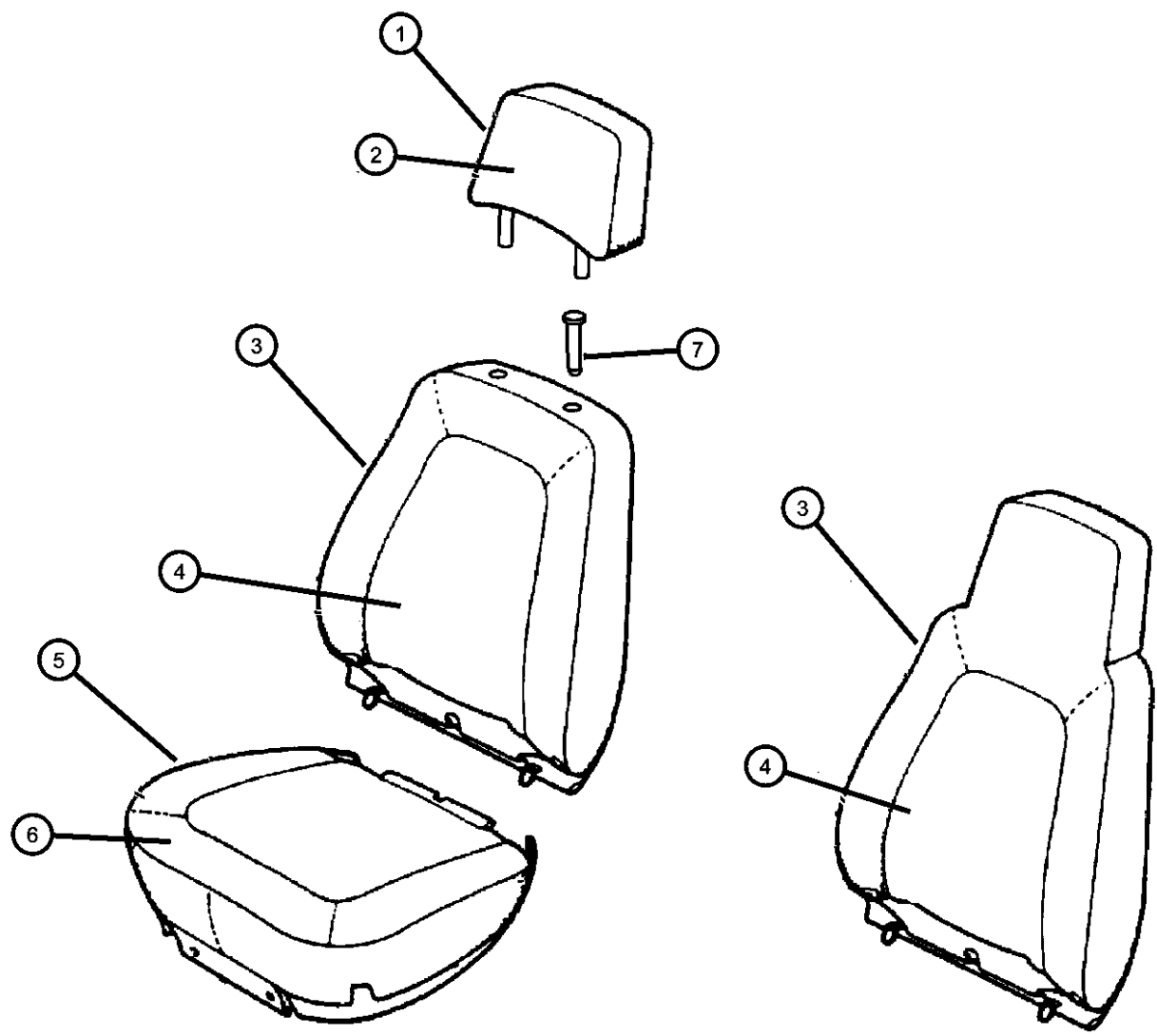


CHEROKEE (XJ)
 SERIES LINE BODY ENGINE TRANSMISSION
 L = LOWLINE B = JEEP - 2WD (RHD) 72 = 2DR (101.4 WB) ENC = 2.5L 4 Cyl Turbo Diesel DCB = Transmission - 4-Speed Manual, T3340
 U = JEEP - 4WD (RHD) 74 = 4 DR (101.4 WB) EPE = Engine - 2.5L Power Tech I-4 Cyl. DDQ = 5-Speed Manual Transmission
 T = LHD - (2WD) ERH = 4.0L Power Tech I-6 Engine DDX = 5-Speed HD Manual Transmission
 J = JEEP - - LHD (4WD) ENO = Engines - ALL 4/5 CYL Turbo Diesel DGD = 3-Spd. Automatic 30RH Transmission
 ERO = Engines - All 4.0L 6 Cyl Gas DGK = 4-Spd. Automatic 42RE Transmission
 EPO = ENGINES - ALL 2.5L 4 CYL GAS DGS = 4-Speed Automatic AW4 Transmission
 DGT = 4-Spd. Automatic 46RE Transmission
 DGW = TRANSMISSION - 4-SPD. AUTOMATIC, 44RE
 DGX = 4-Speed Automatic Transmission
 DGY = No Description Available
 DGZ = Transmission- 4-Spd. Automatic, MT643
 DBB = ALL MANUAL TRANSMISSIONS
 DGO = TRANSMISSIONS - ALL AUTOMATIC

AR = use ase required - = Non illustrated part

Seat Covers and Seat Assemblies
Figure IXJ-510

ITEM	PART NUMBER	QTY	LINE	SERIES	BODY	ENGINE	TRANS	TRIM	DESCRIPTION
		1	J, T		74			*M5	Mist Gray, Right
		1	J, T		74			*X5	Mist Gray, Right
	0RG701T6AA	1	J, T		72			*M5	Saddle, Right
		1	J, T		74			*M5	Saddle, Right
		1	J, T		74			*X5	Saddle, Right
	0RG711C3AA	1	J, T		72			*M5	Mist Gray, Left
		1	J, T		74			*M5	Mist Gray, Left
		1	J, T		74			*X5	Mist Gray, Left
	0RG711T6AA	1	J, T		72			*M5	Saddle, Left
		1	J, T		74			*M5	Saddle, Left
		1	J, T		74			*X5	Saddle, Left
	0RG721C3AA	1	J, T		72			*XJ	Mist Gray, Right
		1	J, T		74			*XJ	Mist Gray, Right
		1	B, U		74			*XJ	Mist Gray, Right
	0RG721T6AA	1	J, T		72			*XJ	Saddle, Right
		1	J, T		74			*XJ	Saddle, Right
		1	B, U		74			*XJ	Saddle, Right
	0RG731C3AA	1	J, T		72			*XJ	Mist Gray, Left
		1	J, T		74			*XJ	Mist Gray, Left
		1	B, U		74			*XJ	Mist Gray, Left
	0RG731T6AA	1	J, T		72			*XJ	Saddle, Left
		1	J, T		74			*XJ	Saddle, Left



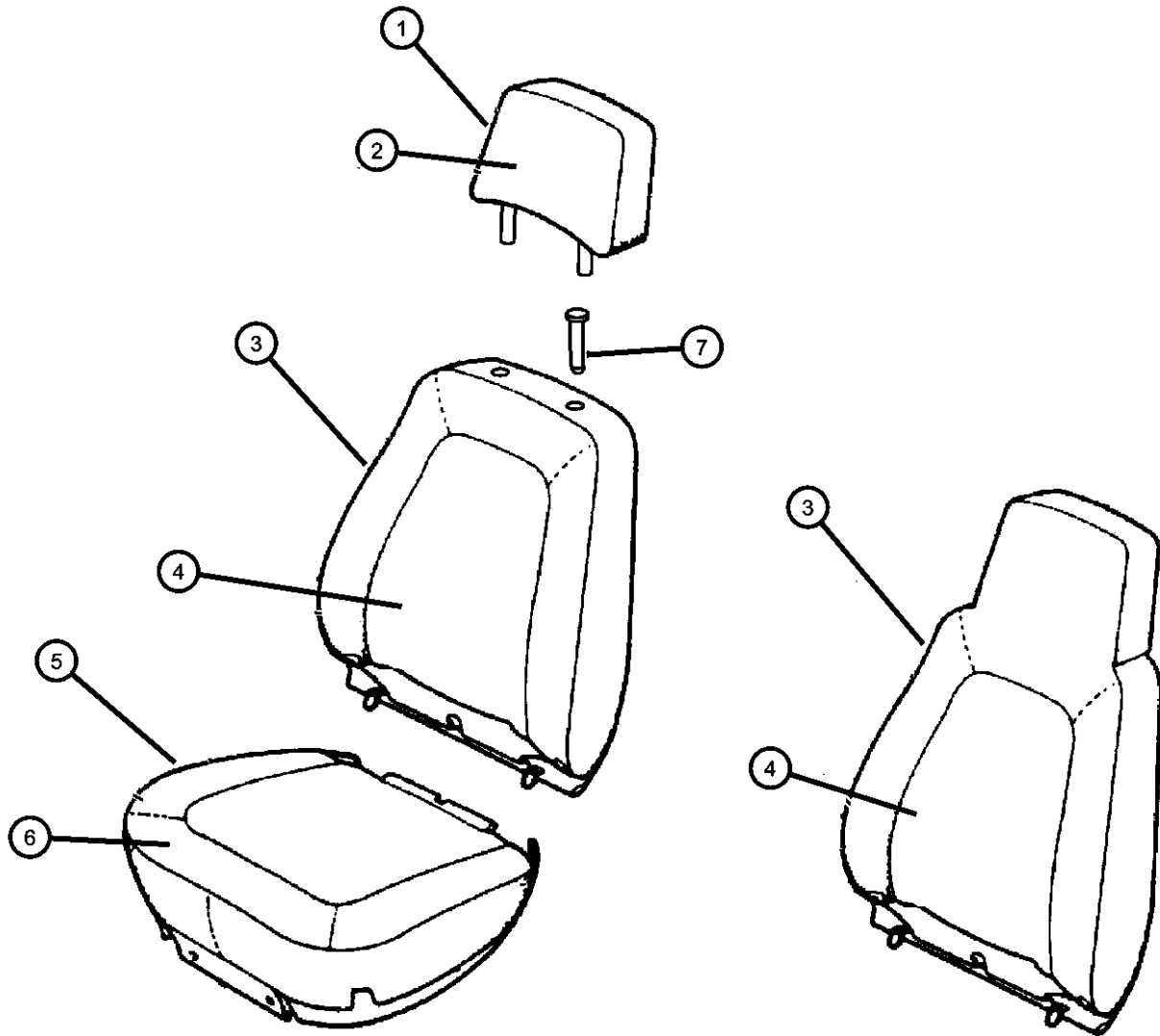
CHEROKEE (XJ)

SERIES	LINE	BODY	ENGINE	TRANSMISSION
L = LOWLINE	B = JEEP - 2WD (RHD) U = JEEP - 4WD (RHD) T = LHD - (2WD) J = JEEP - - LHD (4WD)	72 = 2DR (101.4 WB) 74 = 4 DR (101.4 WB)	ENC = 2.5L 4 Cyl Turbo Diesel Engine EPE = Engine - 2.5L Power Tech I-4 Cyl. ERH = 4.0L Power Tech I-6 Engine ENO = Engines - ALL 4/5 CYL Turbo Diesel ERO = Engines - All 4.0L 6 Cyl Gas EPO = ENGINES - ALL 2.5L 4 CYL GAS	DCB = Transmission - 4-Speed Manual,T3340 DDQ = 5-Speed Manual Transmission DDX = 5-Speed HD Manual Transmission DGD = 3-Spd. Automatic 30RH Transmission DGK = 4-Spd. Automatic 42RE Transmission DGS = 4-Speed Automatic AW4 Transmission DGT = 4-Spd. Automatic 46RE Transmission DGW = TRANSMISSION - 4-SPD. AUTOMATIC,44RE DGX = 4-Speed Automatic Transmission DGY = No Description Available DGZ = Transmission- 4-Spd. Automatic,MT643 DBB = ALL MANUAL TRANSMISSIONS DGO = TRANSMISSIONS - ALL AUTOMATIC

AR = use ase required - = Non illustrated part

Seat Covers and Seat Assemblies
Figure IXJ-510

ITEM	PART NUMBER	QTY	LINE	SERIES	BODY	ENGINE	TRANS	TRIM	DESCRIPTION
7		1	B, U		74			*XJ	Saddle, Left CYLINDER, Headrest
	04723834	2	J, T		74			*DL	
		2	J, T		74			*XJ	
		4	J, T		72			*XJ	
		4	B, U		74			*XJ	



CHEROKEE (XJ)

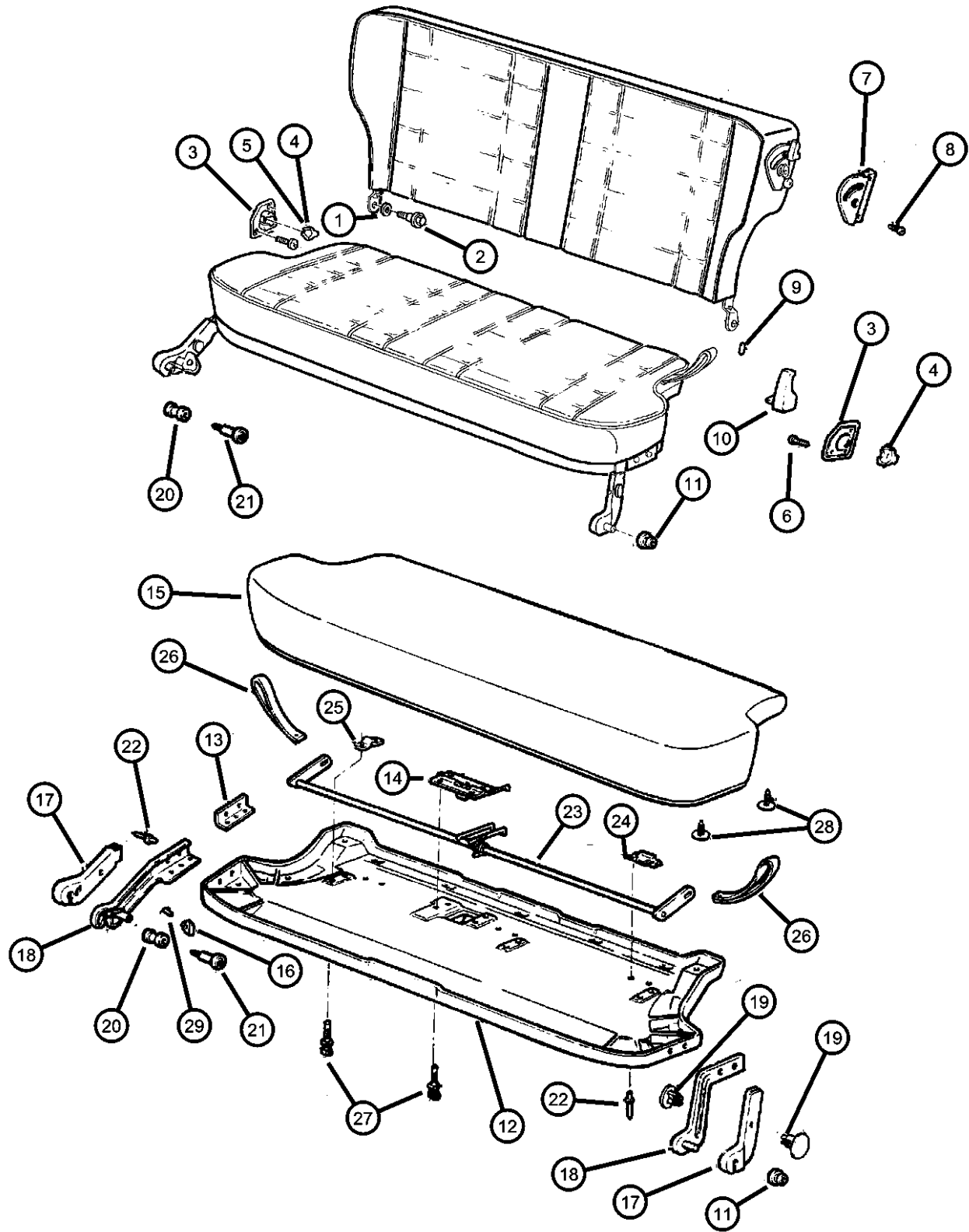
SERIES LINE
 L = LOWLINE B = JEEP - 2WD (RHD)
 U = JEEP - 4WD (RHD)
 T = LHD - (2WD)
 J = JEEP - - LHD (4WD)

BODY
 72 = 2DR (101.4 WB)
 74 = 4 DR (101.4 WB)

ENGINE TRANSMISSION
 ENC = 2.5L 4 Cyl Turbo Diesel Engine DCB = Transmission - 4-Speed Manual,T3340
 EPE = Engine - 2.5L Power Tech I-4 Cyl. DDQ = 5-Speed Manual Transmission
 ERH = 4.0L Power Tech I-6 Engine DDX = 5-Speed HD Manual Transmission
 ENO = Engines - ALL 4/5 CYL Turbo Diesel DGD = 3-Spd. Automatic 30RH Transmission
 ERO = Engines - All 4.0L 6 Cyl Gas DGK = 4-Spd. Automatic 42RE Transmission
 EPO = ENGINES - ALL 2.5L 4 CYL GAS DGS = 4-Speed Automatic AW4 Transmission
 DGT = 4-Spd. Automatic 46RE Transmission
 DGW = TRANSMISSION - 4-SPD. AUTOMATIC,44RE
 DGX = 4-Speed Automatic Transmission
 DGY = No Description Available
 DGZ = Transmission- 4-Spd. Automatic,MT643
 DBB = ALL MANUAL TRANSMISSIONS
 DGO = TRANSMISSIONS - ALL AUTOMATIC

AR = use ase required - = Non illustrated part

Frame and Pad
Figure IXJ-610



ITEM	PART NUMBER	QTY	LINE	SERIES	BODY	ENGINE	TRANS	TRIM	DESCRIPTION
1	55005617	1							SPACER, Seat Back Pivot
2	34201537	2							SCREW, Hex Washer Shoulder, M10x1.50x25.00
3									BRACKET, Seat Lock Striker
	55195980	1							Right
	55195981	1							Left
4	55001212	1							BUMPER, Latch StrikerRight
5	55001213	1							BUMPER, Seat BackLeft
6									SCREW, Pan Head Torx, M5x0.8x30.00
	34202189	6	J, T						
		8	B, U						
7									BEZEL, Seat Latch
	5AC661C3	1	J, T, U		72			*B6	Mist Gray, Right
		1	J, T		74			*B6	Mist Gray, Right
		1	J, T		74			*DL	Mist Gray, Right
		1	J, T		72			*M5	Mist Gray, Right
		1	J, T		74			*M5	Mist Gray, Right
		1	J, T		74			*XJ	Mist Gray, Right
		1	B, U		74			*XJ	Mist Gray, Right
		1	J, T		74			*X5	Mist Gray, Right
		1	B, U		74			*M5	Mist Gray, Right
		1	B, U		74			*B6	Mist Gray, Right
		1	J, T		72			*XJ	Mist Gray, Right

CHEROKEE (XJ)

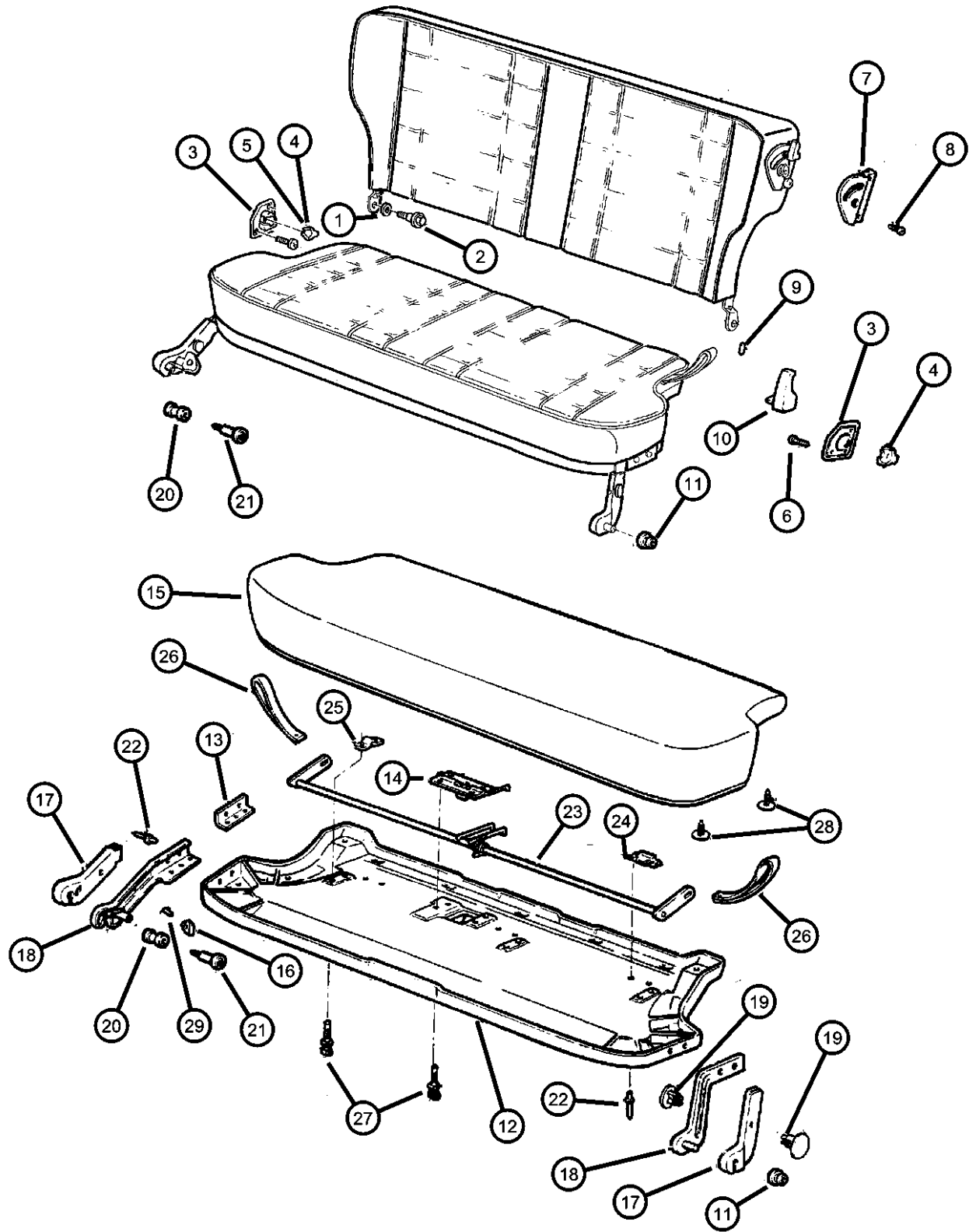
SERIES LINE
 L = LOWLINE B = JEEP - 2WD (RHD)
 U = JEEP - 4WD (RHD)
 T = LHD - (2WD)
 J = JEEP - - LHD (4WD)

BODY
 72 = 2DR (101.4 WB)
 74 = 4 DR (101.4 WB)

ENGINE TRANSMISSION
 ENC = 2.5L 4 Cyl Turbo Diesel Engine
 EPE = Engine - 2.5L Power Tech I-4 Cyl.
 ERH = 4.0L Power Tech I-6 Engine
 ENO = Engines - ALL 4/5 CYL Turbo Diesel
 ERO = Engines - All 4.0L 6 Cyl Gas
 EPO = ENGINES - ALL 2.5L 4 CYL GAS
 DCB = Transmission - 4-Speed Manual, T3340
 DDQ = 5-Speed Manual Transmission
 DDX = 5-Speed HD Manual Transmission
 DGD = 3-Spd. Automatic 30RH Transmission
 DGK = 4-Spd. Automatic 42RE Transmission
 DGS = 4-Speed Automatic AW4 Transmission
 DGT = 4-Spd. Automatic 46RE Transmission
 DGW = TRANSMISSION - 4-SPD. AUTOMATIC, 44RE
 DGX = 4-Speed Automatic Transmission
 DGY = No Description Available
 DGZ = Transmission- 4-Spd. Automatic, MT643
 DBB = ALL MANUAL TRANSMISSIONS
 DGO = TRANSMISSIONS - ALL AUTOMATIC

AR = use ase required - = Non illustrated part

Frame and Pad
Figure IXJ-610



ITEM	PART NUMBER	QTY	LINE	SERIES	BODY	ENGINE	TRANS	TRIM	DESCRIPTION
	5AC661T6	1	B, U		74			*DL	Mist Gray, Right
		1	J, T, U		72			*B6	Saddle, Right
		1	J, T		74			*B6	Saddle, Right
		1	J, T		74			*DL	Saddle, Right
		1	J, T		72			*M5	Saddle, Right
		1	J, T		74			*M5	Saddle, Right
		1	J, T		74			*XJ	Saddle, Right
		1	J, T		72			*XJ	Saddle, Right
		1	B, U		74			*XJ	Saddle, Right
		1	J, T		74			*X5	Saddle, Right
		1	B, U		74			*M5	Saddle, Right
		1	B, U		74			*B6	Saddle, Right
	5AC671C3	1	B, U		74			*DL	Saddle, Right
		1	J, T, U		72			*B6	Mist Gray, Left
		1	J, T		74			*B6	Mist Gray, Left
		1	J, T		74			*DL	Mist Gray, Left
		1	J, T		72			*M5	Mist Gray, Left
		1	J, T		74			*M5	Mist Gray, Left
		1	J, T		74			*XJ	Mist Gray, Left
		1	J, T		72			*XJ	Mist Gray, Left
		1	B, U		74			*XJ	Mist Gray, Left
		1	J, T		74			*X5	Mist Gray, Left

CHEROKEE (XJ)

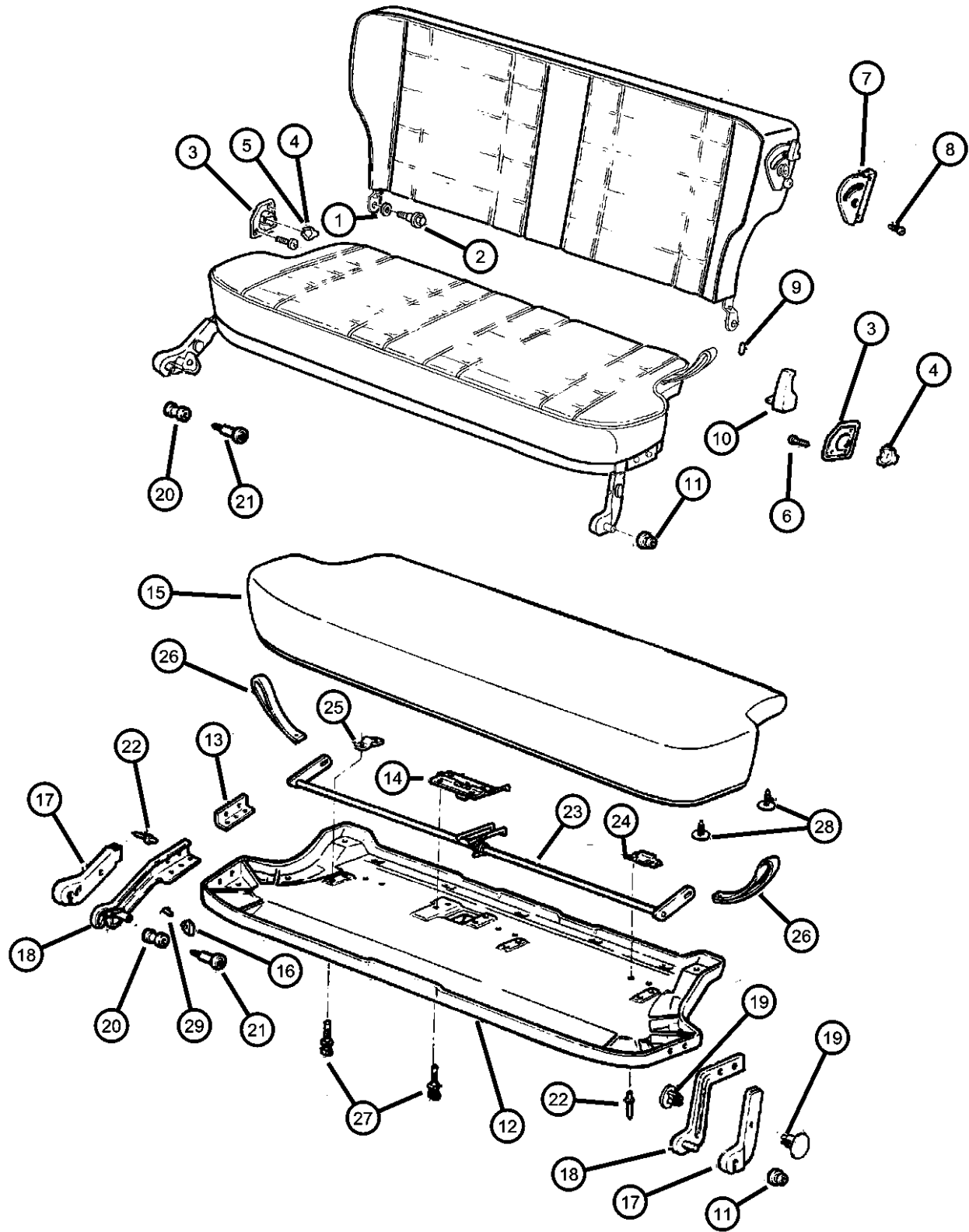
SERIES LINE
 L = LOWLINE B = JEEP - 2WD (RHD)
 U = JEEP - 4WD (RHD)
 T = LHD - (2WD)
 J = JEEP - - LHD (4WD)

BODY
 72 = 2DR (101.4 WB)
 74 = 4 DR (101.4 WB)

ENGINE TRANSMISSION
 ENC = 2.5L 4 Cyl Turbo Diesel Engine
 EPE = Engine - 2.5L Power Tech I-4 Cyl.
 ERH = 4.0L Power Tech I-6 Engine
 ENO = Engines - ALL 4/5 CYL Turbo Diesel
 ERO = Engines - All 4.0L 6 Cyl Gas
 EPO = ENGINES - ALL 2.5L 4 CYL GAS
 DCB = Transmission - 4-Speed Manual,T3340
 DDQ = 5-Speed Manual Transmission
 DDX = 5-Speed HD Manual Transmission
 DGD = 3-Spd. Automatic 30RH Transmission
 DGK = 4-Spd. Automatic 42RE Transmission
 DGS = 4-Speed Automatic AW4 Transmission
 DGT = 4-Spd. Automatic 46RE Transmission
 DGW = TRANSMISSION - 4-SPD. AUTOMATIC,44RE
 DGX = 4-Speed Automatic Transmission
 DGY = No Description Available
 DGZ = Transmission- 4-Spd. Automatic,MT643
 DBB = ALL MANUAL TRANSMISSIONS
 DGO = TRANSMISSIONS - ALL AUTOMATIC

AR = use ase required - = Non illustrated part

Frame and Pad
Figure IXJ-610



ITEM	PART NUMBER	QTY	LINE	SERIES	BODY	ENGINE	TRANS	TRIM	DESCRIPTION
		1	B, U		74			*M5	Mist Gray, Left
		1	B, U		74			*B6	Mist Gray, Left
		1	B, U		74			*DL	Mist Gray, Left
	5AC671T6	1	J, T, U		72			*B6	Saddle, Left
		1	J, T		74			*B6	Saddle, Left
		1	J, T		74			*DL	Saddle, Left
		1	J, T		72			*M5	Saddle, Left
		1	J, T		74			*M5	Saddle, Left
		1	J, T		74			*XJ	Saddle, Left
		1	J, T		72			*XJ	Saddle, Left
		1	B, U		74			*XJ	Saddle, Left
		1	J, T		74			*X5	Saddle, Left
		1	B, U		74			*M5	Saddle, Left
		1	B, U		74			*B6	Saddle, Left
		1	B, U		74			*DL	Saddle, Left
8	34201314	4						*O0	SCREW, Tapping Round Head, .164x18x1.232
9	J0455735	4	J, T, U		72			*B6	SPRING, Pin
		4	J, T		74			*B6	
		4	J, T		74			*DL	
		4	J, T		72			*M5	
		4	J, T		74			*M5	

CHEROKEE (XJ)

SERIES LINE
 L = LOWLINE B = JEEP - 2WD (RHD)
 U = JEEP - 4WD (RHD)
 T = LHD - (2WD)
 J = JEEP - - LHD (4WD)

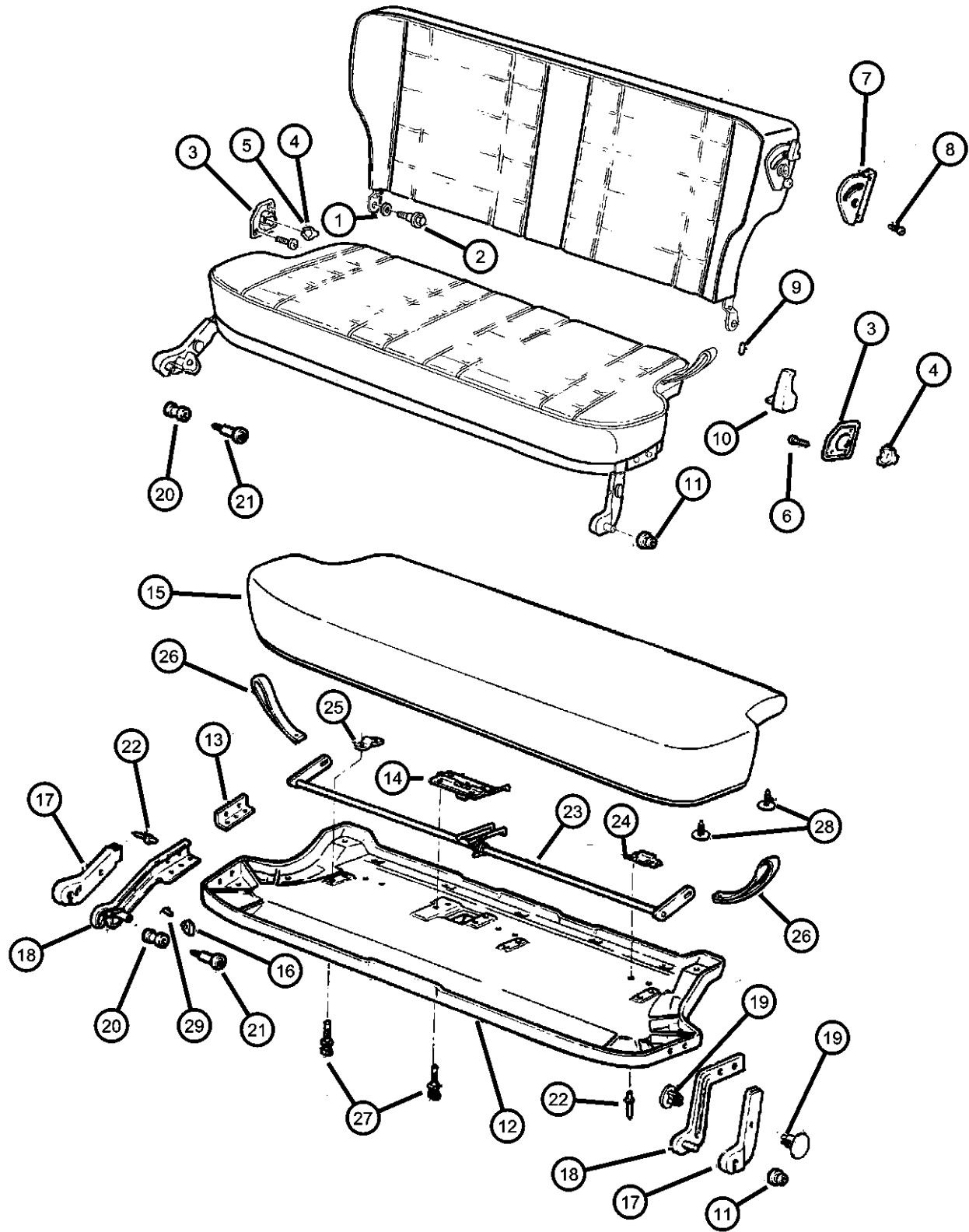
BODY
 72 = 2DR (101.4 WB)
 74 = 4 DR (101.4 WB)

ENGINE TRANSMISSION
 ENC = 2.5L 4 Cyl Turbo Diesel Engine
 EPE = Engine - 2.5L Power Tech I-4 Cyl.
 ERH = 4.0L Power Tech I-6 Engine
 ENO = Engines - ALL 4/5 CYL Turbo Diesel
 ERO = Engines - All 4.0L 6 Cyl Gas
 EPO = ENGINES - ALL 2.5L 4 CYL GAS
 DCB = Transmission - 4-Speed Manual, T3340
 DDQ = 5-Speed Manual Transmission
 DDG = 5-Speed HD Manual Transmission
 DGD = 3-Spd. Automatic 30RH Transmission
 DGK = 4-Spd. Automatic 42RE Transmission
 DGS = 4-Speed Automatic AW4 Transmission
 DGT = 4-Spd. Automatic 46RE Transmission
 DGW = TRANSMISSION - 4-SPD. AUTOMATIC, 44RE
 DGX = 4-Speed Automatic Transmission
 DGY = No Description Available
 DGZ = Transmission- 4-Spd. Automatic, MT643
 DBB = ALL MANUAL TRANSMISSIONS
 DGO = TRANSMISSIONS - ALL AUTOMATIC

AR = use ase required - = Non illustrated part

1998 XJ

Frame and Pad
Figure IXJ-610



ITEM	PART NUMBER	QTY	LINE	SERIES	BODY	ENGINE	TRANS	TRIM	DESCRIPTION
		4	J, T		74			*XJ	
		4	J, T		72			*XJ	
		4	B, U		74			*XJ	
		4	J, T		74			*X5	
		4	B, U		74			*M5	
		4	B, U		74			*B6	
		4	B, U		74			*DL	
10									KNOB, Seat Back Latch
	0QC041C3	1	J, T, U		72			*B6	Mist Gray, Right
		1	J, T		74			*B6	Mist Gray, Right
		1	J, T		74			*DL	Mist Gray, Right
		1	J, T		72			*M5	Mist Gray, Right
		1	J, T		74			*M5	Mist Gray, Right
		1	J, T		74			*XJ	Mist Gray, Right
		1	J, T		72			*XJ	Mist Gray, Right
		1	B, U		74			*XJ	Mist Gray, Right
		1	J, T		74			*X5	Mist Gray, Right
		1	B, U		74			*M5	Mist Gray, Right
		1	B, U		74			*B6	Mist Gray, Right
	0QC041T6	1	J, T, U		72			*B6	Saddle, Right
		1	J, T		74			*B6	Saddle, Right

CHEROKEE (XJ)

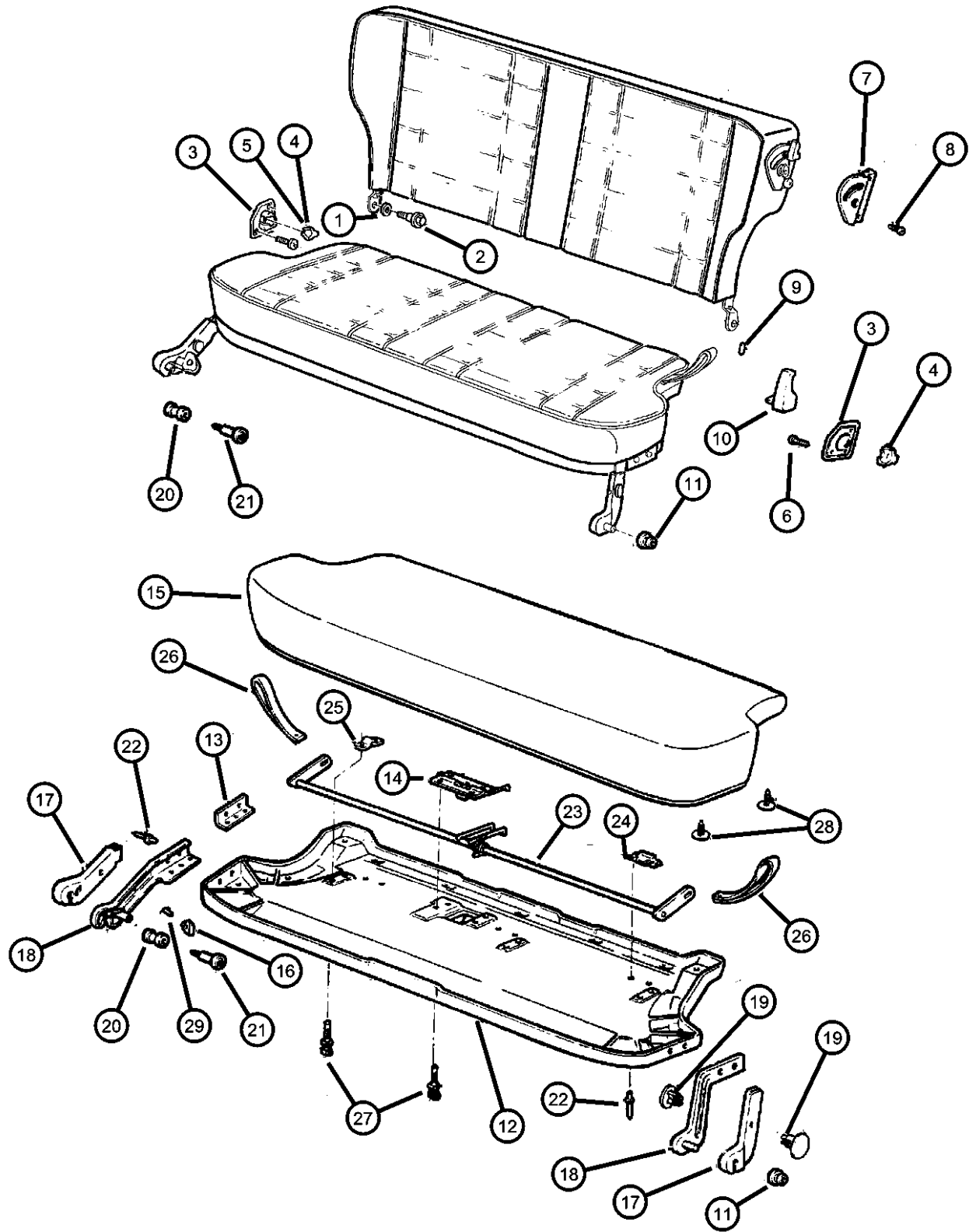
SERIES LINE
 L = LOWLINE B = JEEP - 2WD (RHD)
 U = JEEP - 4WD (RHD)
 T = LHD - (2WD)
 J = JEEP - - LHD (4WD)

BODY
 72 = 2DR (101.4 WB)
 74 = 4 DR (101.4 WB)

ENGINE TRANSMISSION
 ENC = 2.5L 4 Cyl Turbo Diesel Engine
 EPE = Engine - 2.5L Power Tech I-4 Cyl.
 ERH = 4.0L Power Tech I-6 Engine
 ENO = Engines - ALL 4/5 CYL Turbo Diesel
 ERO = Engines - All 4.0L 6 Cyl Gas
 EPO = ENGINES - ALL 2.5L 4 CYL GAS
 DCB = Transmission - 4-Speed Manual,T3340
 DDQ = 5-Speed Manual Transmission
 DDX = 5-Speed HD Manual Transmission
 DGD = 3-Spd. Automatic 30RH Transmission
 DGK = 4-Spd. Automatic 42RE Transmission
 DGS = 4-Speed Automatic AW4 Transmission
 DGT = 4-Spd. Automatic 46RE Transmission
 DGW = TRANSMISSION - 4-SPD. AUTOMATIC,44RE
 DGX = 4-Speed Automatic Transmission
 DGY = No Description Available
 DGZ = Transmission- 4-Spd. Automatic,MT643
 DBB = ALL MANUAL TRANSMISSIONS
 DGO = TRANSMISSIONS - ALL AUTOMATIC

AR = use ase required - = Non illustrated part

Frame and Pad
Figure IXJ-610



ITEM	PART NUMBER	QTY	LINE	SERIES	BODY	ENGINE	TRANS	TRIM	DESCRIPTION
		1	J, T		74			*DL	Saddle, Right
		1	J, T		72			*M5	Saddle, Right
		1	J, T		74			*M5	Saddle, Right
		1	J, T		74			*XJ	Saddle, Right
		1	J, T		72			*XJ	Saddle, Right
		1	J, T		74			*X5	Saddle, Right
		1	B, U		74			*M5	Saddle, Right
		1	B, U		74			*B6	Saddle, Right
		1	B, U		74			*XJ	Saddle, Right
		1	B, U		74			*DL	Saddle, Right
	0QC051C3	1	J, T, U		72			*B6	Mist Gray, Left
		1	J, T		74			*B6	Mist Gray, Left
		1	J, T		74			*DL	Mist Gray, Left
		1	J, T		72			*M5	Mist Gray, Left
		1	J, T		74			*M5	Mist Gray, Left
		1	J, T		74			*XJ	Mist Gray, Left
		1	J, T		72			*XJ	Mist Gray, Left
		1	J, T		74			*X5	Mist Gray, Left
		1	B, U		74			*M5	Mist Gray, Left
		1	B, U		74			*B6	Mist Gray, Left
		1	B, U		74			*XJ	Mist Gray, Left
		1	B, U		74			*DL	Mist Gray, Left

CHEROKEE (XJ)

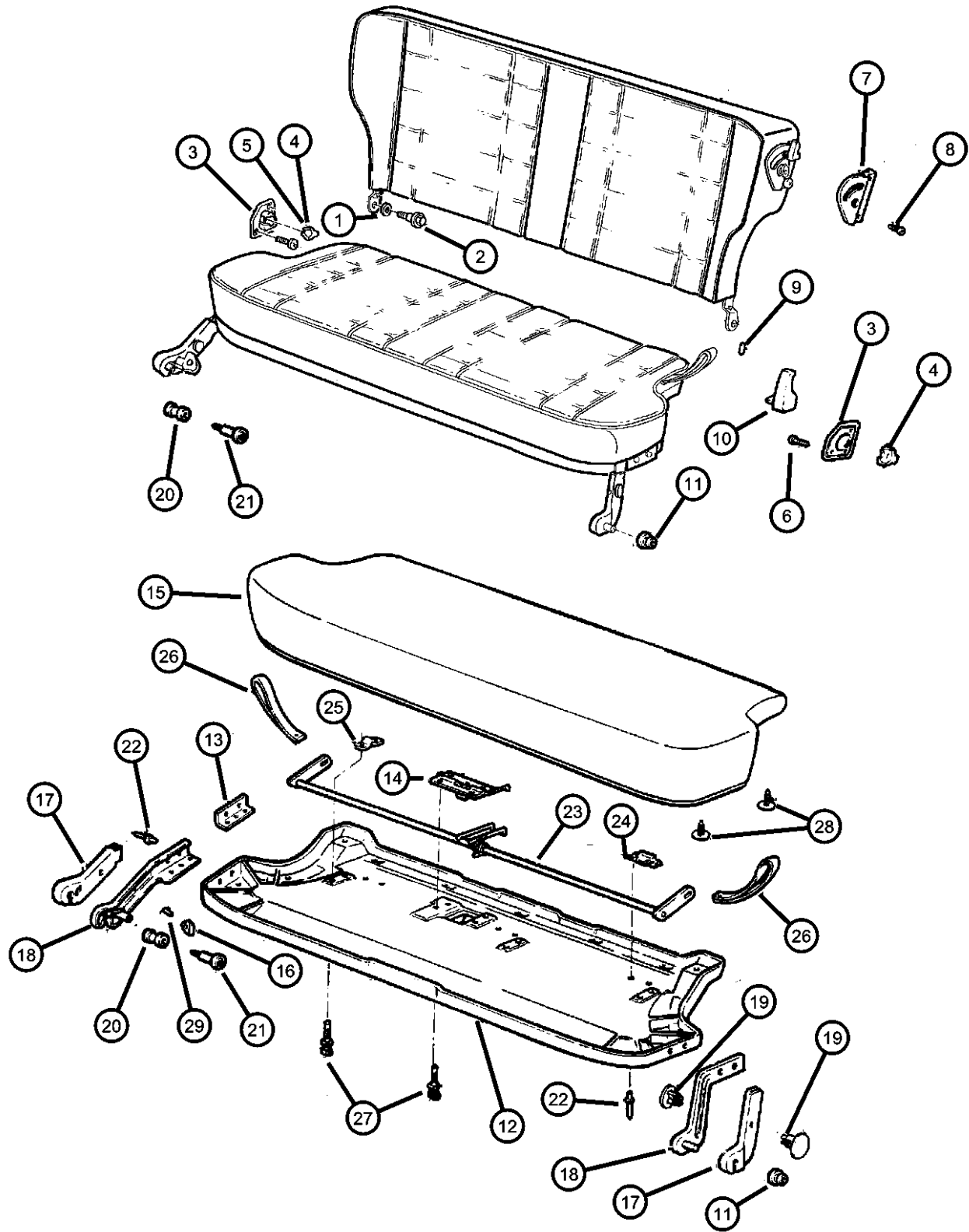
SERIES LINE
 L = LOWLINE B = JEEP - 2WD (RHD)
 U = JEEP - 4WD (RHD)
 T = LHD - (2WD)
 J = JEEP - - LHD (4WD)

BODY
 72 = 2DR (101.4 WB)
 74 = 4 DR (101.4 WB)

ENGINE TRANSMISSION
 ENC = 2.5L 4 Cyl Turbo Diesel Engine
 EPE = Engine - 2.5L Power Tech I-4 Cyl.
 ERH = 4.0L Power Tech I-6 Engine
 ENO = Engines - ALL 4/5 CYL Turbo Diesel
 ERO = Engines - All 4.0L 6 Cyl Gas
 EPO = ENGINES - ALL 2.5L 4 CYL GAS
 DCB = Transmission - 4-Speed Manual,T3340
 DDQ = 5-Speed Manual Transmission
 DDX = 5-Speed HD Manual Transmission
 DGD = 3-Spd. Automatic 30RH Transmission
 DGK = 4-Spd. Automatic 42RE Transmission
 DGS = 4-Speed Automatic AW4 Transmission
 DGT = 4-Spd. Automatic 46RE Transmission
 DGW = TRANSMISSION - 4-SPD. AUTOMATIC,44RE
 DGX = 4-Speed Automatic Transmission
 DGY = No Description Available
 DGZ = Transmission- 4-Spd. Automatic,MT643
 DBB = ALL MANUAL TRANSMISSIONS
 DGO = TRANSMISSIONS - ALL AUTOMATIC

AR = use ase required - = Non illustrated part

Frame and Pad
Figure IXJ-610



ITEM	PART NUMBER	QTY	LINE	SERIES	BODY	ENGINE	TRANS	TRIM	DESCRIPTION
	0QC051T6	1	J, T, U		72			*B6	Saddle, Left
		1	J, T		74			*B6	Saddle, Left
		1	J, T		74			*DL	Saddle, Left
		1	J, T		72			*M5	Saddle, Left
		1	J, T		74			*M5	Saddle, Left
		1	J, T		74			*XJ	Saddle, Left
		1	J, T		72			*XJ	Saddle, Left
		1	B, U		74			*XJ	Saddle, Left
		1	J, T		74			*X5	Saddle, Left
		1	B, U		74			*M5	Saddle, Left
		1	B, U		74			*B6	Saddle, Left
		1	B, U		74			*DL	Saddle, Left
11	55001230	1							GROMMET, Rear Seat
12									PANEL, Seat Cushion
	55195237	1	J, T, U		72			*B6	
		1	J, T		74			*B6	
		1	J, T		74			*DL	
		1	J, T		72			*M5	
		1	J, T		74			*M5	
		1	J, T		74			*XJ	
		1	J, T		72			*XJ	
		1	B, U		74			*XJ	

CHEROKEE (XJ)

SERIES LINE
 L = LOWLINE B = JEEP - 2WD (RHD)
 U = JEEP - 4WD (RHD)
 T = LHD - (2WD)
 J = JEEP - - LHD (4WD)

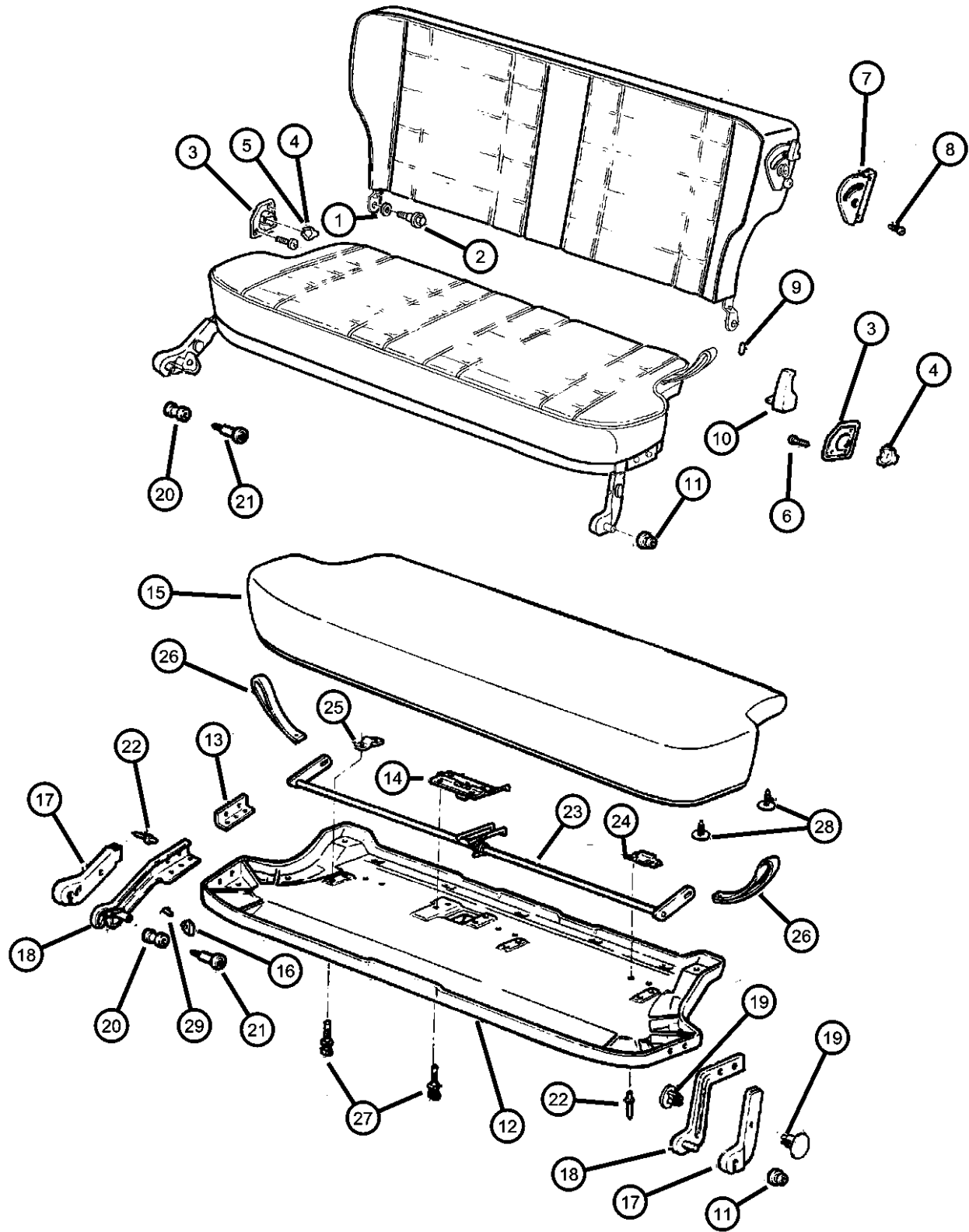
BODY
 72 = 2DR (101.4 WB)
 74 = 4 DR (101.4 WB)

ENGINE TRANSMISSION
 ENC = 2.5L 4 Cyl Turbo Diesel Engine
 EPE = Engine - 2.5L Power Tech I-4 Cyl.
 ERH = 4.0L Power Tech I-6 Engine
 ENO = Engines - ALL 4/5 CYL Turbo Diesel
 ERO = Engines - All 4.0L 6 Cyl Gas
 EPO = ENGINES - ALL 2.5L 4 CYL GAS
 DCB = Transmission - 4-Speed Manual,T3340
 DDQ = 5-Speed Manual Transmission
 DDX = 5-Speed HD Manual Transmission
 DGD = 3-Spd. Automatic 30RH Transmission
 DGK = 4-Spd. Automatic 42RE Transmission
 DGS = 4-Speed Automatic AW4 Transmission
 DGT = 4-Spd. Automatic 46RE Transmission
 DGW = TRANSMISSION - 4-SPD. AUTOMATIC,44RE
 DGX = 4-Speed Automatic Transmission
 DGY = No Description Available
 DGZ = Transmission- 4-Spd. Automatic,MT643
 DBB = ALL MANUAL TRANSMISSIONS
 DGO = TRANSMISSIONS - ALL AUTOMATIC

AR = use ase required - = Non illustrated part

1998 XJ

Frame and Pad
Figure IXJ-610



ITEM	PART NUMBER	QTY	LINE	SERIES	BODY	ENGINE	TRANS	TRIM	DESCRIPTION
13	55002833	1	J, T		74			*X5	REINFORCEMENT, Seat Cushion Hinge
		1	B, U		74			*M5	
		1	B, U		74			*B6	
		1	B, U		74			*DL	
		2	J, T		74			*B6	
		2	J, T		74			*DL	
		2	J, T		72			*M5	
		2	J, T		74			*M5	
		2	J, T		74			*XJ	
		2	J, T		72			*XJ	
		2	B, U		74			*XJ	
		2	J, T		74			*X5	
		2	B, U		74			*M5	
14	55195372	2	B, U		74			*B6	LATCH, Seat
		2	B, U		74			*DL	
		2	J, T, U		72			*B6	
		1	J, T, U		72			*B6	
		1	J, T		74			*B6	
		1	J, T		74			*DL	
		1	J, T		72			*M5	

CHEROKEE (XJ)

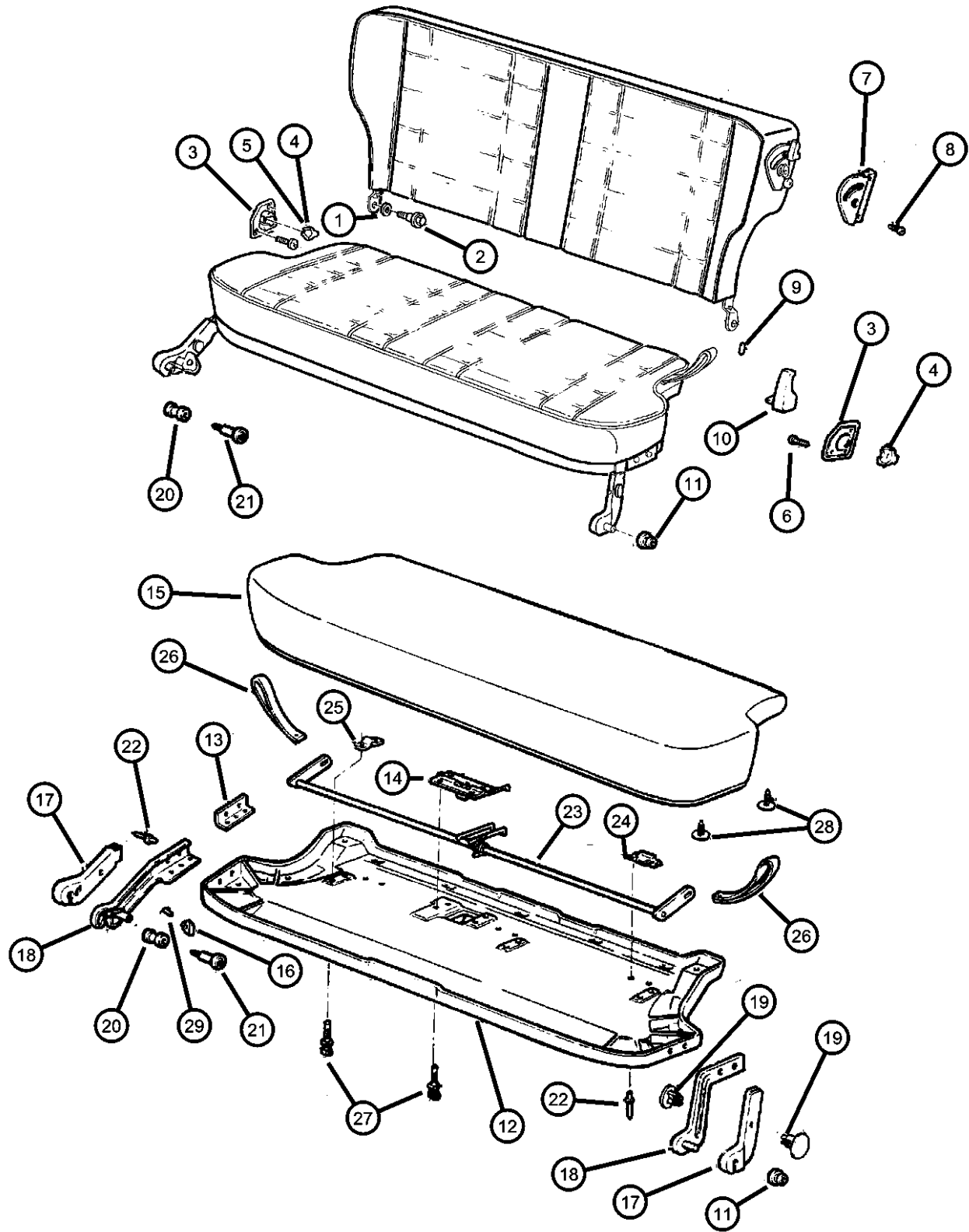
SERIES LINE
 L = LOWLINE B = JEEP - 2WD (RHD)
 U = JEEP - 4WD (RHD)
 T = LHD - (2WD)
 J = JEEP - - LHD (4WD)

BODY
 72 = 2DR (101.4 WB)
 74 = 4 DR (101.4 WB)

ENGINE TRANSMISSION
 ENC = 2.5L 4 Cyl Turbo Diesel Engine
 EPE = Engine - 2.5L Power Tech I-4 Cyl.
 ERH = 4.0L Power Tech I-6 Engine
 ENO = Engines - ALL 4/5 CYL Turbo Diesel
 ERO = Engines - All 4.0L 6 Cyl Gas
 EPO = ENGINES - ALL 2.5L 4 CYL GAS
 DCB = Transmission - 4-Speed Manual,T3340
 DDQ = 5-Speed Manual Transmission
 DDX = 5-Speed HD Manual Transmission
 DGD = 3-Spd. Automatic 30RH Transmission
 DGK = 4-Spd. Automatic 42RE Transmission
 DGS = 4-Speed Automatic AW4 Transmission
 DGT = 4-Spd. Automatic 46RE Transmission
 DGW = TRANSMISSION - 4-SPD. AUTOMATIC,44RE
 DGX = 4-Speed Automatic Transmission
 DGY = No Description Available
 DGZ = Transmission- 4-Spd. Automatic,MT643
 DBB = ALL MANUAL TRANSMISSIONS
 DGO = TRANSMISSIONS - ALL AUTOMATIC

AR = use ase required - = Non illustrated part

Frame and Pad
Figure IXJ-610



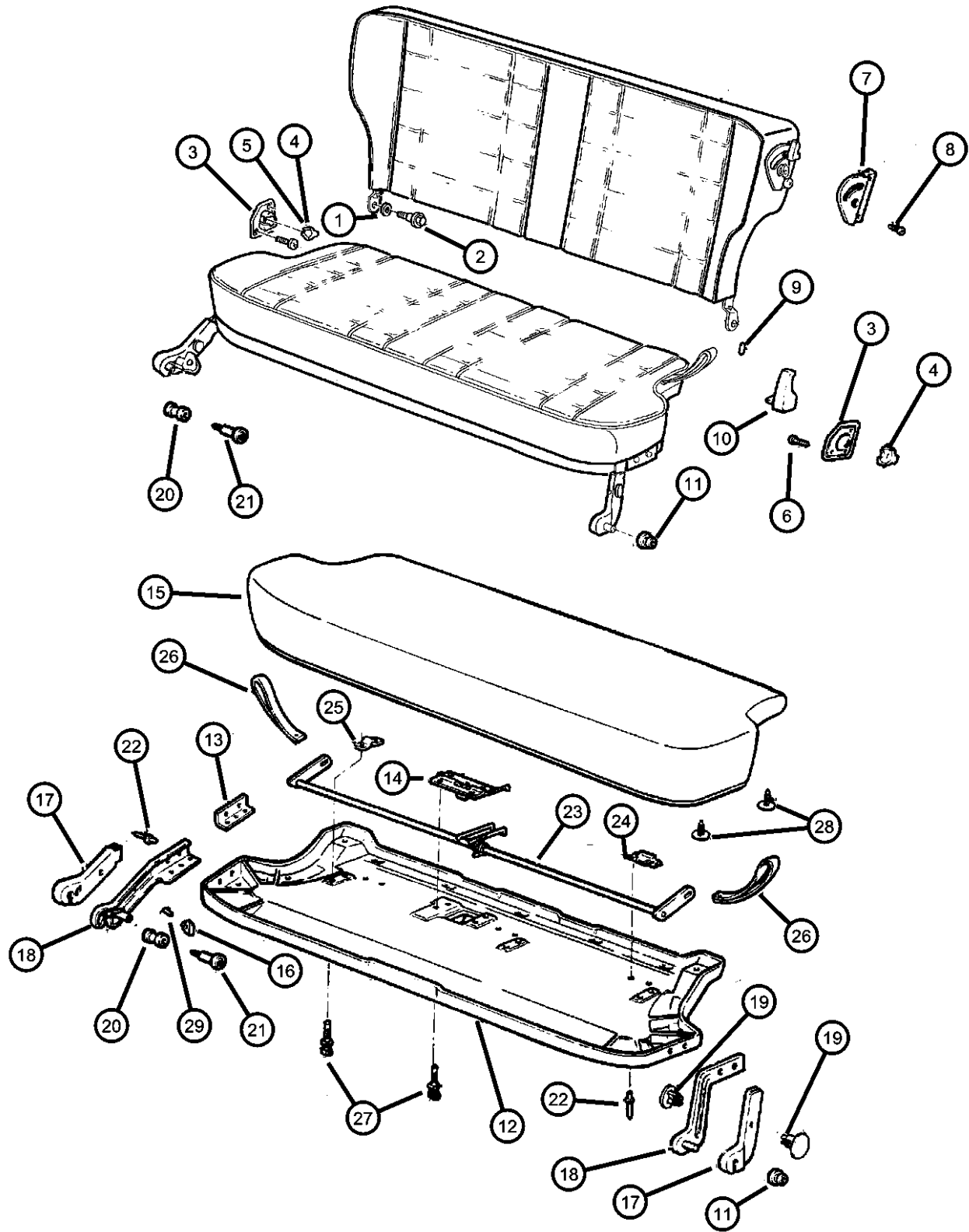
ITEM	PART NUMBER	QTY	LINE	SERIES	BODY	ENGINE	TRANS	TRIM	DESCRIPTION
		1	J, T		74			*M5	
		1	J, T		74			*XJ	
		1	J, T		72			*XJ	
		1	B, U		74			*XJ	
		1	J, T		74			*X5	
		1	B, U		74			*M5	
		1	B, U		74			*B6	
		1	B, U		74			*DL	
15									PAD, Rear Seat Cushion
	55004573	1	J, T, U		72			*B6	
		1	J, T		74			*B6	
		1	J, T		74			*DL	
		1	J, T		72			*M5	
		1	J, T		74			*M5	
		1	J, T		74			*XJ	
		1	J, T		72			*XJ	
		1	B, U		74			*XJ	
		1	J, T		74			*X5	
		1	B, U		74			*M5	
		1	B, U		74			*B6	
		1	B, U		74			*DL	

16 KNOB, Seat Back Latch

CHEROKEE (XJ)		BODY		ENGINE		TRANSMISSION	
SERIES	LINE	72 = 2DR (101.4 WB)		ENC = 2.5L 4 Cyl Turbo Diesel Engine	DCB = Transmission - 4-Speed Manual, T3340		
L = LOWLINE	B = JEEP - 2WD (RHD)	74 = 4 DR (101.4 WB)		EPE = Engine - 2.5L Power Tech I-4 Cyl.	DDQ = 5-Speed Manual Transmission		
	U = JEEP - 4WD (RHD)			ERH = 4.0L Power Tech I-6 Engine	DDX = 5-Speed HD Manual Transmission		
	T = LHD - (2WD)			ENO = Engines - ALL 4/5 CYL Turbo Diesel	DGD = 3-Spd. Automatic 30RH Transmission		
	J = JEEP - - LHD (4WD)			ERO = Engines - All 4.0L 6 Cyl Gas	DGK = 4-Spd. Automatic 42RE Transmission		
				EPO = ENGINES - ALL 2.5L 4 CYL GAS	DGS = 4-Speed Automatic AW4 Transmission		
					DGT = 4-Spd. Automatic 46RE Transmission		
					DGW = TRANSMISSION - 4-SPD. AUTOMATIC, 44RE		
					DGX = 4-Speed Automatic Transmission		
					DGY = No Description Available		
					DGZ = Transmission- 4-Spd. Automatic, MT643		
					DBB = ALL MANUAL TRANSMISSIONS		
					DG0 = TRANSMISSIONS - ALL AUTOMATIC		

AR = use ase required - = Non illustrated part

Frame and Pad
Figure IXJ-610



ITEM	PART NUMBER	QTY	LINE	SERIES	BODY	ENGINE	TRANS	TRIM	DESCRIPTION
	5AC681C3	2	J, T		74			*B6	Mist Gray
		2	J, T		74			*DL	Mist Gray
		2	J, T		72			*M5	Mist Gray
		2	J, T		74			*M5	Mist Gray
		2	J, T		74			*XJ	Mist Gray
		2	J, T		72			*XJ	Mist Gray
		2	B, U		74			*XJ	Mist Gray
		2	J, T		74			*X5	Mist Gray
		2	B, U		74			*M5	Mist Gray
		2	B, U		74			*B6	Mist Gray
		2	B, U		74			*DL	Mist Gray
	5AC681T6	2	J, T, U		72			*B6	Mist Gray
		2	J, T		74			*B6	Saddle
		2	J, T		74			*DL	Saddle
		2	J, T		72			*M5	Saddle
		2	J, T		74			*M5	Saddle
		2	J, T		74			*XJ	Saddle
		2	J, T		72			*XJ	Saddle
		2	B, U		74			*XJ	Saddle
		2	J, T		74			*X5	Saddle
		2	B, U		74			*M5	Saddle
		2	B, U		74			*B6	Saddle

CHEROKEE (XJ)

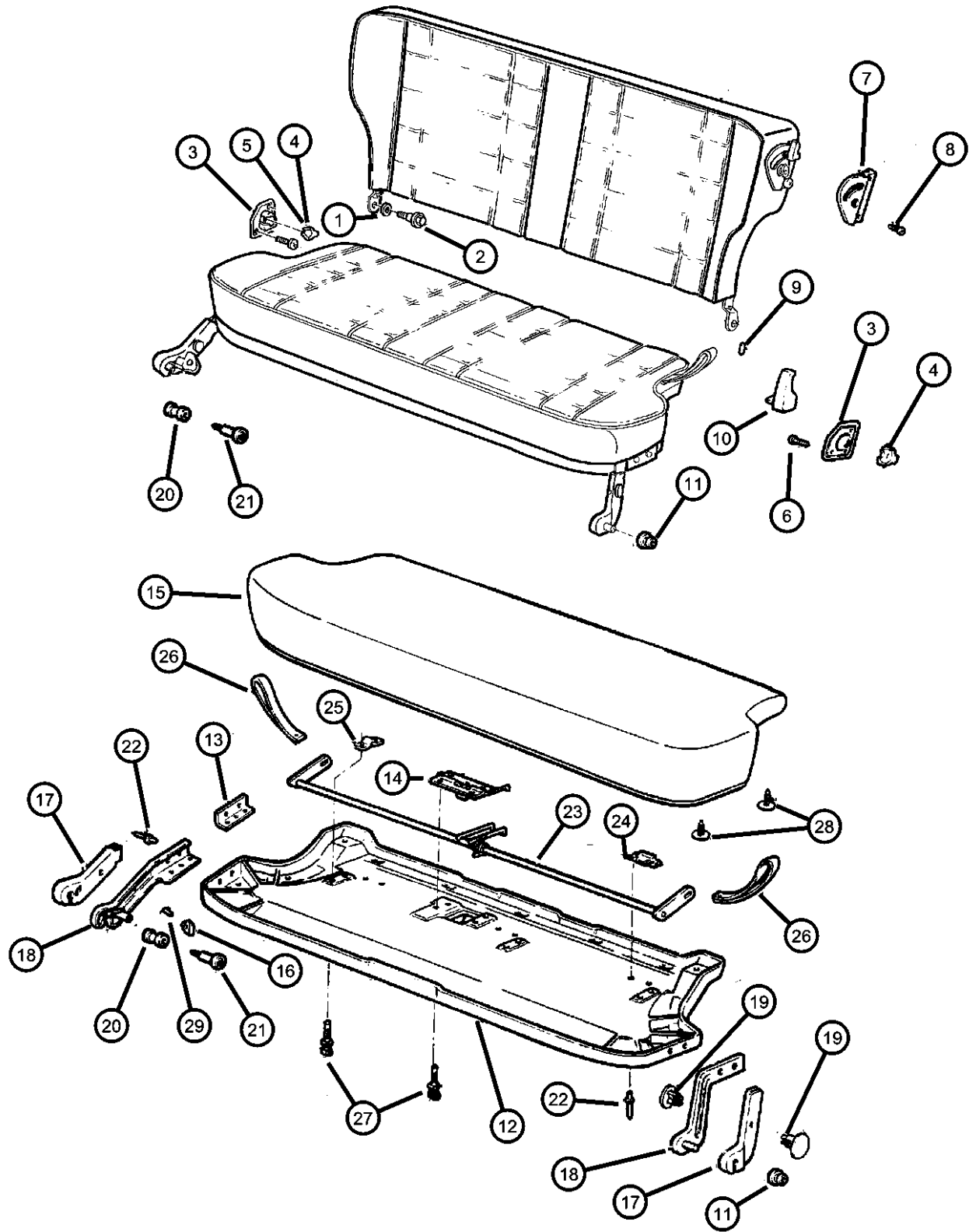
SERIES LINE
 L = LOWLINE B = JEEP - 2WD (RHD)
 U = JEEP - 4WD (RHD)
 T = LHD - (2WD)
 J = JEEP - - LHD (4WD)

BODY
 72 = 2DR (101.4 WB)
 74 = 4 DR (101.4 WB)

ENGINE TRANSMISSION
 ENC = 2.5L 4 Cyl Turbo Diesel Engine
 EPE = Engine - 2.5L Power Tech I-4 Cyl.
 ERH = 4.0L Power Tech I-6 Engine
 ENO = Engines - ALL 4/5 CYL Turbo Diesel
 ERO = Engines - All 4.0L 6 Cyl Gas
 EPO = ENGINES - ALL 2.5L 4 CYL GAS
 DCB = Transmission - 4-Speed Manual, T3340
 DDQ = 5-Speed Manual Transmission
 DDX = 5-Speed HD Manual Transmission
 DGD = 3-Spd. Automatic 30RH Transmission
 DGK = 4-Spd. Automatic 42RE Transmission
 DGS = 4-Speed Automatic AW4 Transmission
 DGT = 4-Spd. Automatic 46RE Transmission
 DGW = TRANSMISSION - 4-SPD. AUTOMATIC, 44RE
 DGX = 4-Speed Automatic Transmission
 DGY = No Description Available
 DGZ = Transmission- 4-Spd. Automatic, MT643
 DBB = ALL MANUAL TRANSMISSIONS
 DGO = TRANSMISSIONS - ALL AUTOMATIC

AR = use ase required - = Non illustrated part

Frame and Pad
Figure IXJ-610

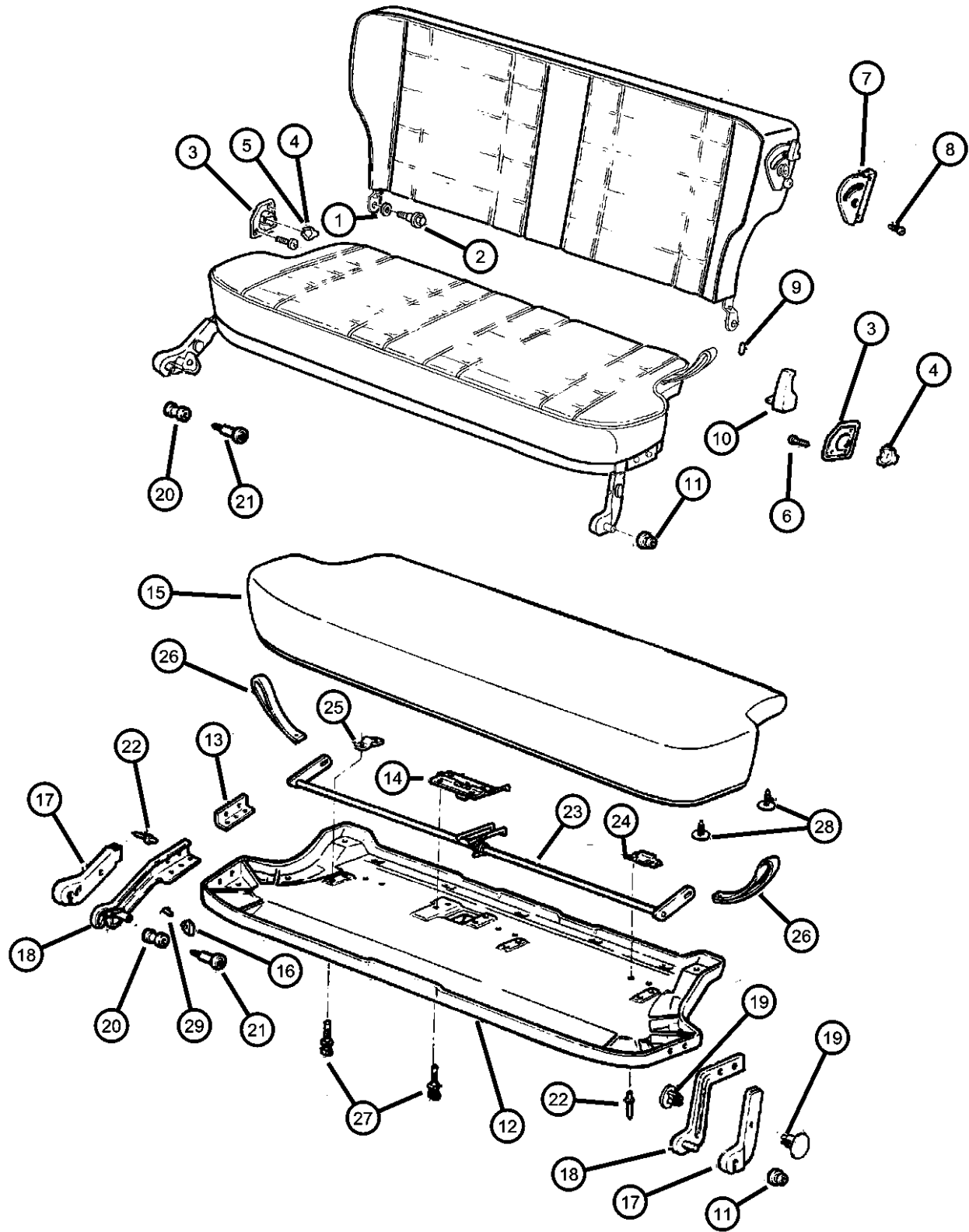


ITEM	PART NUMBER	QTY	LINE	SERIES	BODY	ENGINE	TRANS	TRIM	DESCRIPTION		
17	5AC461C3	2	B, U		74			*DL	Saddle		
		2	J, T, U		72			*B6	Saddle		
		1	J, T, U		72			*B6	COVER, Rear Seat Hinge		
		1	J, T		74			*B6	Mist Gray, Right		
		1	J, T		74			*DL	Mist Gray, Right		
		1	J, T		72			*M5	Mist Gray, Right		
		1	J, T		74			*XJ	Mist Gray, Right		
		1	J, T		72			*XJ	Mist Gray, Right		
		1	J, T		74			*M5	Mist Gray, Right		
		1	J, T		74			*XJ	Mist Gray, Right		
		1	B, U		74			*XJ	Mist Gray, Right		
		1	J, T		74			*X5	Mist Gray, Right		
		1	B, U		74			*M5	Mist Gray, Right		
		1	B, U		74			*B6	Mist Gray, Right		
		1	B, U		74			*DL	Mist Gray, Right		
		1	5AC461T6	1	J, T, U		72			*B6	Saddle, Right
		1		1	J, T		74			*B6	Saddle, Right
1		1	J, T		74			*DL	Saddle, Right		
1		1	J, T		72			*M5	Saddle, Right		
1		1	J, T		72			*XJ	Saddle, Right		
1		1	J, T		74			*M5	Saddle, Right		
1		1	B, U		74			*XJ	Saddle, Right		

CHEROKEE (XJ)
 SERIES LINE BODY ENGINE TRANSMISSION
 L = LOWLINE B = JEEP - 2WD (RHD) 72 = 2DR (101.4 WB) ENC = 2.5L 4 Cyl Turbo Diesel DCB = Transmission - 4-Speed Manual,T3340
 U = JEEP - 4WD (RHD) 74 = 4 DR (101.4 WB) EPE = Engine - 2.5L Power Tech I-4 Cyl. DDQ = 5-Speed Manual Transmission
 T = LHD - (2WD) ERH = 4.0L Power Tech I-6 Engine DDG = 5-Speed HD Manual Transmission
 J = JEEP - - LHD (4WD) ENO = Engines - ALL 4/5 CYL Turbo Diesel DGD = 3-Spd. Automatic 30RH Transmission
 ERO = Engines - All 4.0L 6 Cyl Gas DGK = 4-Spd. Automatic 42RE Transmission
 DGS = 4-Speed Automatic AW4 Transmission
 EPO = ENGINES - ALL 2.5L 4 CYL GAS DGT = 4-Spd. Automatic 46RE Transmission
 DGW = TRANSMISSION - 4-SPD. AUTOMATIC,44RE
 DGX = 4-Speed Automatic Transmission
 DGY = No Description Available
 DGZ = Transmission- 4-Spd. Automatic,MT643
 DBB = ALL MANUAL TRANSMISSIONS
 DGO = TRANSMISSIONS - ALL AUTOMATIC

AR = use ase required - = Non illustrated part

Frame and Pad
Figure IXJ-610



ITEM	PART NUMBER	QTY	LINE	SERIES	BODY	ENGINE	TRANS	TRIM	DESCRIPTION
		1	J, T		74			*X5	Saddle, Right
		1	B, U		74			*M5	Saddle, Right
		1	B, U		74			*B6	Saddle, Right
		1	B, U		74			*DL	Saddle, Right
	5AC471C3	1	J, T, U		72			*B6	Mist Gray, Left
		1	J, T		74			*B6	Mist Gray, Left
		1	J, T		74			*DL	Mist Gray, Left
		1	J, T		74			*XJ	Mist Gray, Left
		1	J, T		72			*M5	Mist Gray, Left
		1	J, T		74			*M5	Mist Gray, Left
		1	B, U		74			*XJ	Mist Gray, Left
		1	J, T		74			*X5	Mist Gray, Left
		1	B, U		74			*M5	Mist Gray, Left
		1	B, U		74			*B6	Mist Gray, Left
		1	J, T		72			*XJ	Mist Gray, Left
		1	B, U		74			*DL	Mist Gray, Left
	5AC471T6	1	J, T, U		72			*B6	Saddle, Left
		1	J, T		74			*B6	Saddle, Left
		1	J, T		74			*DL	Saddle, Left
		1	J, T		72			*M5	Saddle, Left
		1	J, T		74			*XJ	Saddle, Left
		1	J, T		72			*XJ	Left

CHEROKEE (XJ)

SERIES LINE
 L = LOWLINE B = JEEP - 2WD (RHD)
 U = JEEP - 4WD (RHD)
 T = LHD - (2WD)
 J = JEEP - - LHD (4WD)

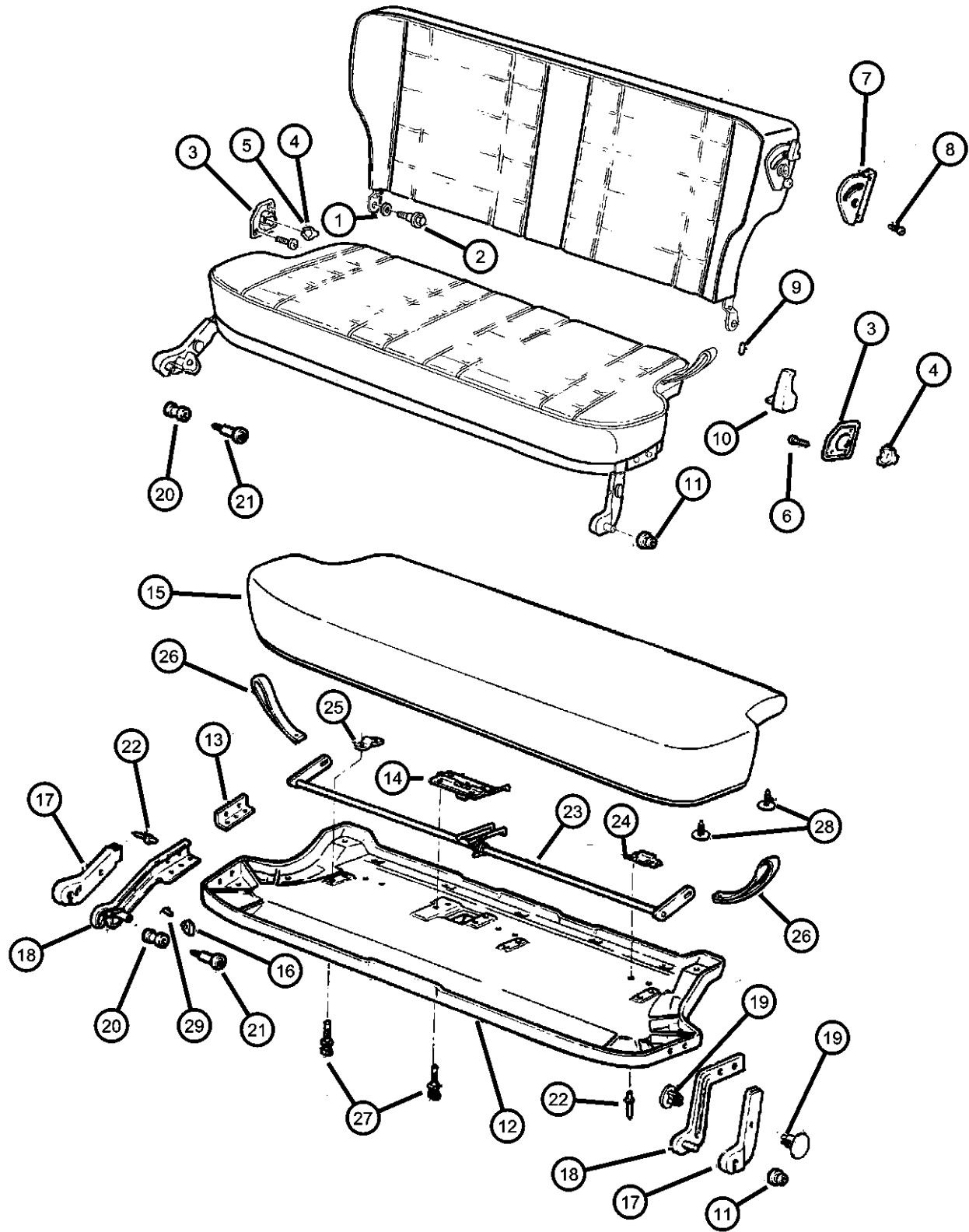
BODY
 72 = 2DR (101.4 WB)
 74 = 4 DR (101.4 WB)

ENGINE TRANSMISSION
 ENC = 2.5L 4 Cyl Turbo Diesel Engine
 EPE = Engine - 2.5L Power Tech I-4 Cyl.
 ERH = 4.0L Power Tech I-6 Engine
 ENO = Engines - ALL 4/5 CYL Turbo Diesel
 ERO = Engines - All 4.0L 6 Cyl Gas
 EPO = ENGINES - ALL 2.5L 4 CYL GAS
 DCB = Transmission - 4-Speed Manual, T3340
 DDQ = 5-Speed Manual Transmission
 DDX = 5-Speed HD Manual Transmission
 DGD = 3-Spd. Automatic 30RH Transmission
 DGK = 4-Spd. Automatic 42RE Transmission
 DGS = 4-Speed Automatic AW4 Transmission
 DGT = 4-Spd. Automatic 46RE Transmission
 DGW = TRANSMISSION - 4-SPD. AUTOMATIC, 44RE
 DGX = 4-Speed Automatic Transmission
 DGY = No Description Available
 DGZ = Transmission- 4-Spd. Automatic, MT643
 DBB = ALL MANUAL TRANSMISSIONS
 DGO = TRANSMISSIONS - ALL AUTOMATIC

AR = use ase required - = Non illustrated part

1998 XJ

Frame and Pad
Figure IXJ-610



ITEM	PART NUMBER	QTY	LINE	SERIES	BODY	ENGINE	TRANS	TRIM	DESCRIPTION
		1	J, T		74			*M5	Saddle, Left
		1	B, U		74			*XJ	Left
		1	J, T		74			*X5	Saddle, Left
		1	B, U		74			*M5	Saddle, Left
		1	B, U		74			*B6	Saddle, Left
		1	B, U		74			*DL	Saddle, Left
18									HINGE, Seat Cushion
	55001136	1	J, T, U		72			*B6	Right
		1	J, T		74			*B6	Right
		1	J, T		74			*DL	Right
		1	J, T		72			*M5	Right
		1	J, T		74			*M5	Right
		1	J, T		72			*XJ	Right
		1	J, T		74			*XJ	Right
		1	B, U		74			*XJ	Right
		1	J, T		74			*X5	Right
		1	B, U		74			*M5	Right
		1	B, U		74			*B6	Right
		1	B, U		74			*DL	Right
	55001137	1	J, T, U		72			*B6	Left
		1	J, T		74			*B6	Left
		1	J, T		74			*DL	Left

CHEROKEE (XJ)

SERIES LINE
 L = LOWLINE B = JEEP - 2WD (RHD)
 U = JEEP - 4WD (RHD)
 T = LHD - (2WD)
 J = JEEP - - LHD (4WD)

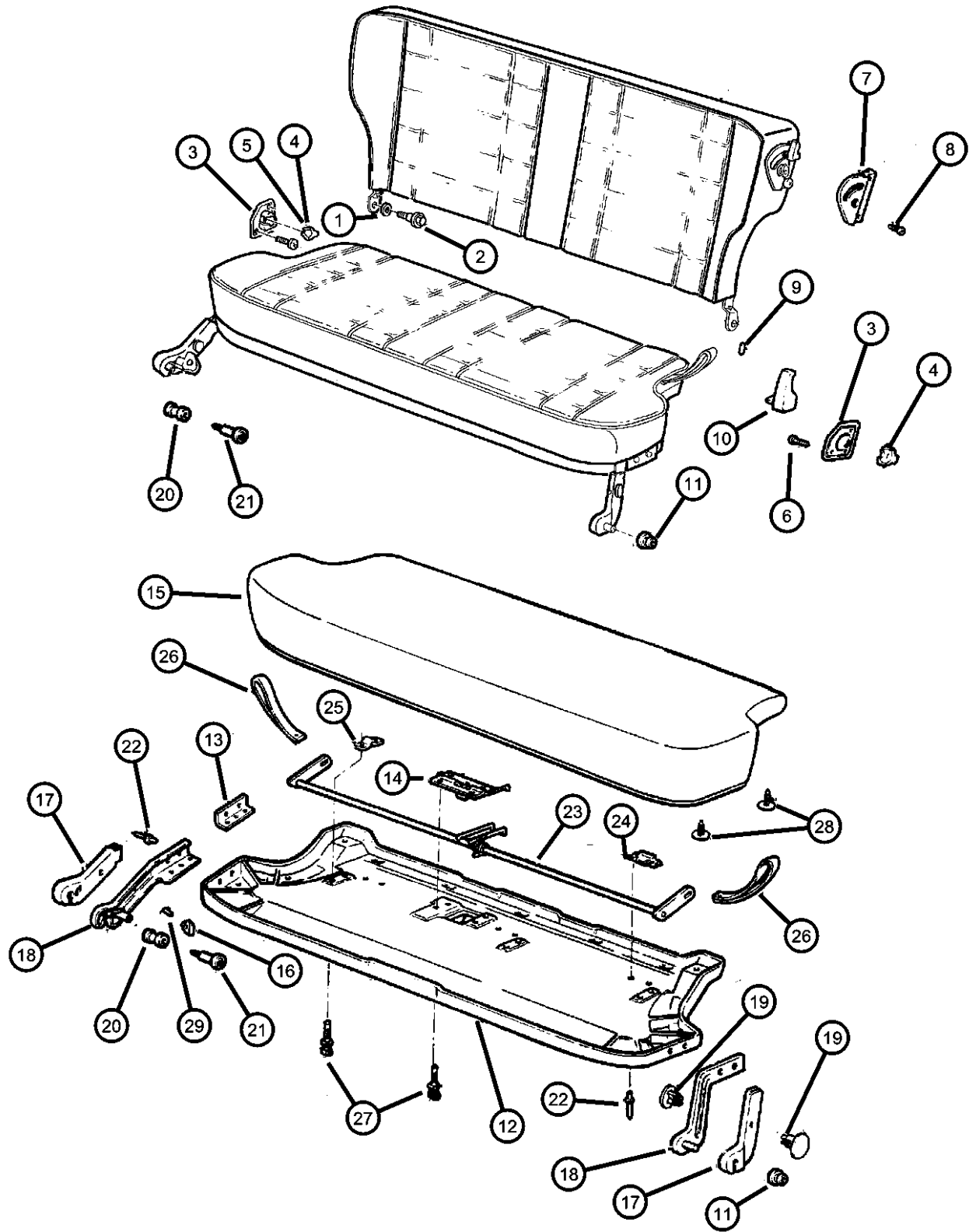
BODY
 72 = 2DR (101.4 WB)
 74 = 4 DR (101.4 WB)

ENGINE TRANSMISSION
 ENC = 2.5L 4 Cyl Turbo Diesel Engine
 EPE = Engine - 2.5L Power Tech I-4 Cyl.
 ERH = 4.0L Power Tech I-6 Engine
 ENO = Engines - ALL 4/5 CYL Turbo Diesel
 ERO = Engines - All 4.0L 6 Cyl Gas
 EPO = ENGINES - ALL 2.5L 4 CYL GAS
 DCB = Transmission - 4-Speed Manual,T3340
 DDQ = 5-Speed Manual Transmission
 DDX = 5-Speed HD Manual Transmission
 DGD = 3-Spd. Automatic 30RH Transmission
 DGK = 4-Spd. Automatic 42RE Transmission
 DGS = 4-Speed Automatic AW4 Transmission
 DGT = 4-Spd. Automatic 46RE Transmission
 DGW = TRANSMISSION - 4-SPD. AUTOMATIC,44RE
 DGX = 4-Speed Automatic Transmission
 DGY = No Description Available
 DGZ = Transmission- 4-Spd. Automatic,MT643
 DBB = ALL MANUAL TRANSMISSIONS
 DGO = TRANSMISSIONS - ALL AUTOMATIC

AR = use ase required - = Non illustrated part

1998 XJ

Frame and Pad
Figure IXJ-610



ITEM	PART NUMBER	QTY	LINE	SERIES	BODY	ENGINE	TRANS	TRIM	DESCRIPTION
		1	J, T		72			*M5	Left
		1	J, T		74			*M5	Left
		1	J, T		74			*XJ	Left
		1	J, T		72			*XJ	Left
		1	J, T		74			*X5	Left
		1	B, U		74			*M5	Left
		1	B, U		74			*B6	Left
		1	B, U		74			*XJ	Left
		1	B, U		74			*DL	Left
19									RIVET, M8x12.40 Ratchet Type
	34201845	4	J, T		74			*B6	
		4	J, T		74			*DL	
		4	J, T		72			*M5	
		4	J, T		74			*M5	
		4	J, T		74			*XJ	
		4	J, T		72			*XJ	
		4	J, T		74			*X5	
		4	B, U		74			*M5	
		4	B, U		74			*B6	
		4	B, U		74			*XJ	
		4	B, U		74			*DL	
20	55002437	1							BUSHING, Seat Cushion

CHEROKEE (XJ)

SERIES LINE
 L = LOWLINE B = JEEP - 2WD (RHD)
 U = JEEP - 4WD (RHD)
 T = LHD - (2WD)
 J = JEEP - - LHD (4WD)

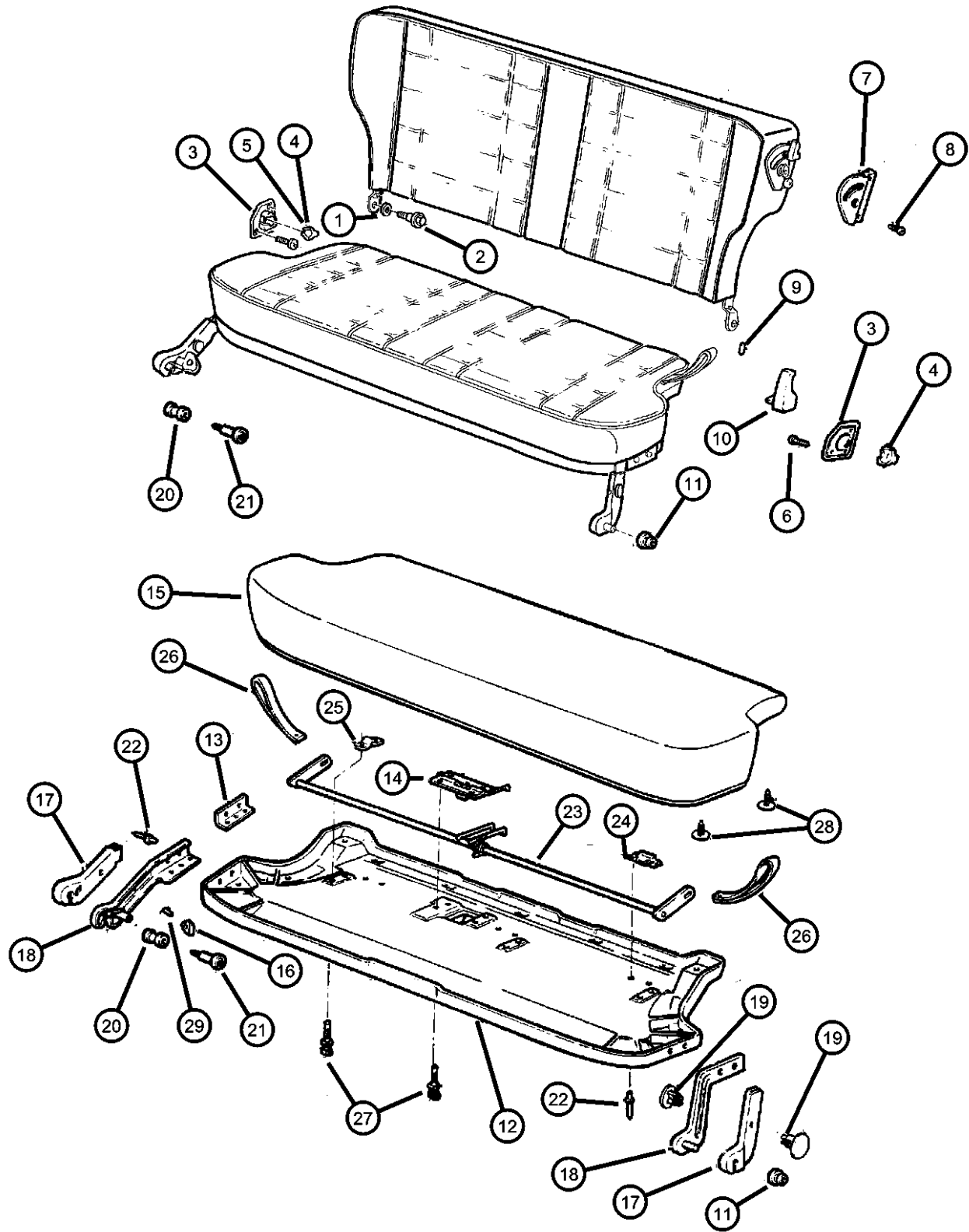
BODY
 72 = 2DR (101.4 WB)
 74 = 4 DR (101.4 WB)

ENGINE TRANSMISSION
 ENC = 2.5L 4 Cyl Turbo Diesel Engine DCB = Transmission - 4-Speed Manual,T3340
 EPE = Engine - 2.5L Power Tech I-4 Cyl. DDQ = 5-Speed Manual Transmission
 ERH = 4.0L Power Tech I-6 Engine DDG = 5-Speed HD Manual Transmission
 ENO = Engines - ALL 4/5 CYL Turbo Diesel DGD = 3-Spd. Automatic 30RH Transmission
 ERO = Engines - All 4.0L 6 Cyl Gas DGK = 4-Spd. Automatic 42RE Transmission
 EP0 = ENGINES - ALL 2.5L 4 CYL GAS DGS = 4-Speed Automatic AW4 Transmission
 DGT = 4-Spd. Automatic 46RE Transmission
 DGW = TRANSMISSION - 4-SPD. AUTOMATIC,44RE
 DGX = 4-Speed Automatic Transmission
 DGY = No Description Available
 DGZ = Transmission- 4-Spd. Automatic,MT643
 DBB = ALL MANUAL TRANSMISSIONS
 DGO = TRANSMISSIONS - ALL AUTOMATIC

AR = use ase required - = Non illustrated part

1998 XJ

Frame and Pad
Figure IXJ-610



ITEM	PART NUMBER	QTY	LINE	SERIES	BODY	ENGINE	TRANS	TRIM	DESCRIPTION
21	34201530	1							BOLT, Shoulder, M10x1.50x50.6
22	34201557	2	J, T		74			*B6	RIVET, M6.3x23.47
		2	J, T		74			*DL	
		2	J, T		72			*M5	
		2	J, T		74			*M5	
		2	J, T		74			*XJ	
		2	J, T		72			*XJ	
		2	J, T		74			*X5	
		2	B, U		74			*M5	
		2	B, U		74			*B6	
		2	B, U		74			*XJ	
		2	B, U		74			*DL	
23	55004302	1	J, T, U		72				RELEASE, Seat Latch
		1	J, T		74			*B6	
		1	J, T		74			*DL	
		1	J, T		72			*M5	
		1	J, T		74			*M5	
		1	J, T		74			*XJ	
		1	J, T		72			*XJ	
		1	B, U		74			*XJ	

CHEROKEE (XJ)

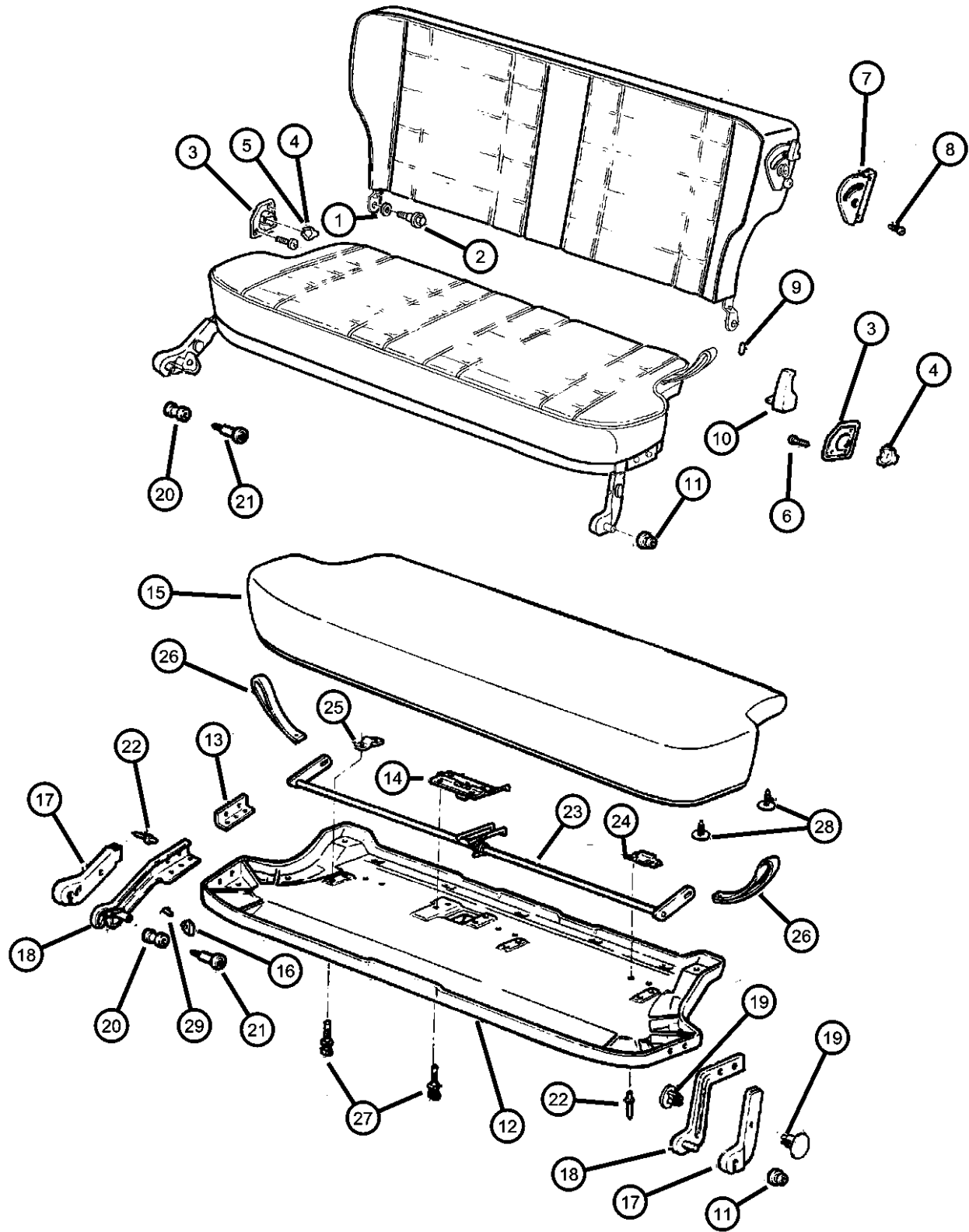
SERIES LINE
 L = LOWLINE B = JEEP - 2WD (RHD)
 U = JEEP - 4WD (RHD)
 T = LHD - (2WD)
 J = JEEP - - LHD (4WD)

BODY
 72 = 2DR (101.4 WB)
 74 = 4 DR (101.4 WB)

ENGINE TRANSMISSION
 ENC = 2.5L 4 Cyl Turbo Diesel Engine
 EPE = Engine - 2.5L Power Tech I-4 Cyl.
 ERH = 4.0L Power Tech I-6 Engine
 ENO = Engines - ALL 4/5 CYL Turbo Diesel
 ERO = Engines - All 4.0L 6 Cyl Gas
 EPO = ENGINES - ALL 2.5L 4 CYL GAS
 DCB = Transmission - 4-Speed Manual, T3340
 DDQ = 5-Speed Manual Transmission
 DDX = 5-Speed HD Manual Transmission
 DGD = 3-Spd. Automatic 30RH Transmission
 DGK = 4-Spd. Automatic 42RE Transmission
 DGS = 4-Speed Automatic AW4 Transmission
 DGT = 4-Spd. Automatic 46RE Transmission
 DGW = TRANSMISSION - 4-SPD. AUTOMATIC, 44RE
 DGX = 4-Speed Automatic Transmission
 DGY = No Description Available
 DGZ = Transmission- 4-Spd. Automatic, MT643
 DBB = ALL MANUAL TRANSMISSIONS
 DGO = TRANSMISSIONS - ALL AUTOMATIC

AR = use ase required - = Non illustrated part

Frame and Pad
Figure IXJ-610



ITEM	PART NUMBER	QTY	LINE	SERIES	BODY	ENGINE	TRANS	TRIM	DESCRIPTION
24	55195937	1	J, T		74			*X5	BRACKET, Seat Cushion
		1	B, U		74			*M5	
		1	B, U		74			*B6	
		1	B, U		74			*DL	
		1	J, T, U		72			*B6	
		1	J, T		74			*B6	
		1	J, T		74			*DL	
		1	J, T		72			*M5	
		1	J, T		74			*M5	
		1	J, T		72			*XJ	
		1	B, U		74			*XJ	
		1	J, T		74			*X5	
25	55004301	1	B, U		74			*M5	BRACKET, Seat Latch
		1	B, U		74			*B6	
		1	B, U		74			*DL	
		2	J, T		74			*B6	
		2	J, T		74			*DL	
		2	J, T		72			*M5	
		2	J, T		74			*M5	
		2	J, T		74			*XJ	

CHEROKEE (XJ)

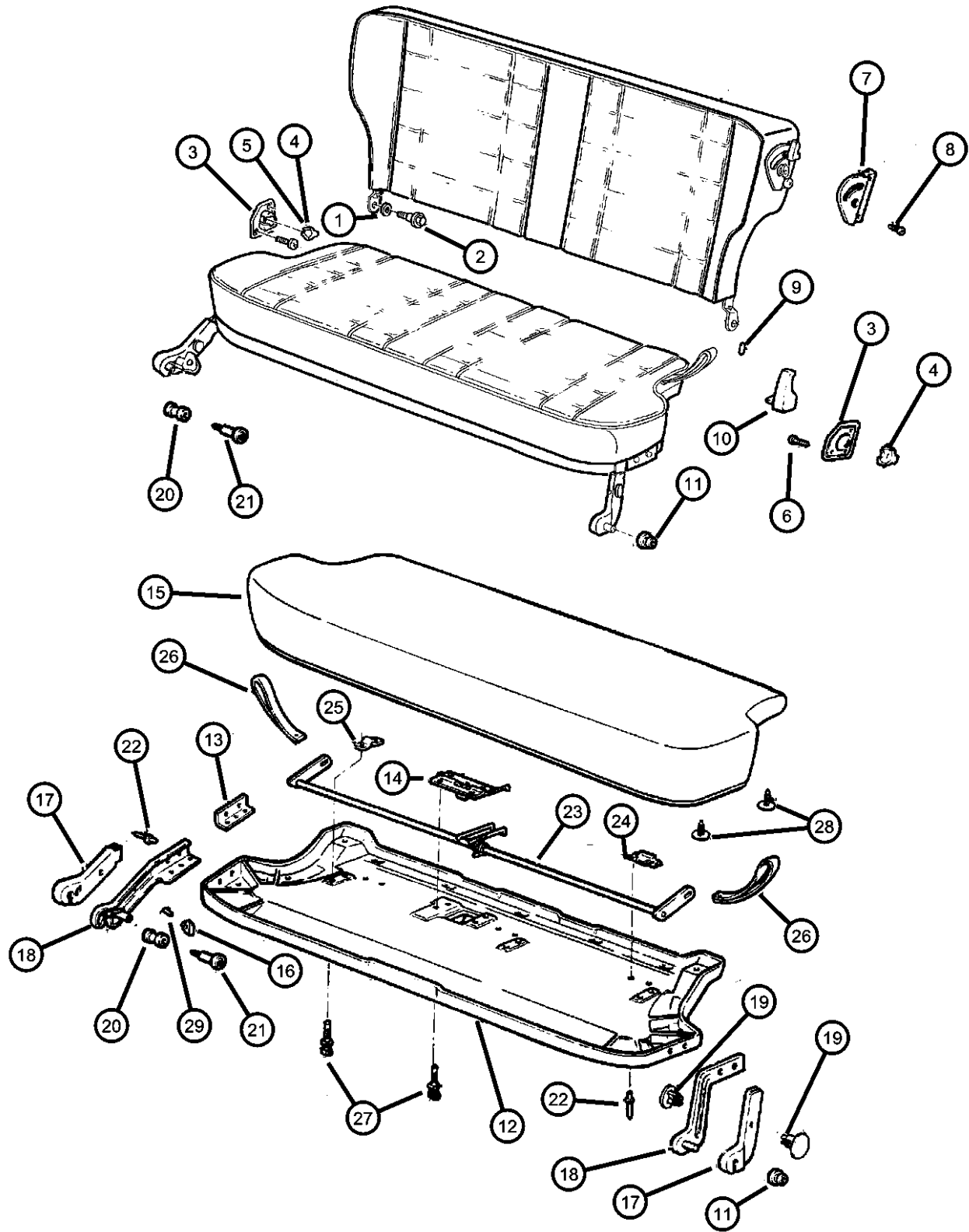
SERIES LINE
 L = LOWLINE B = JEEP - 2WD (RHD)
 U = JEEP - 4WD (RHD)
 T = LHD - (2WD)
 J = JEEP - - LHD (4WD)

BODY
 72 = 2DR (101.4 WB)
 74 = 4 DR (101.4 WB)

ENGINE TRANSMISSION
 ENC = 2.5L 4 Cyl Turbo Diesel Engine
 EPE = Engine - 2.5L Power Tech I-4 Cyl.
 ERH = 4.0L Power Tech I-6 Engine
 ENO = Engines - ALL 4/5 CYL Turbo Diesel
 ERO = Engines - All 4.0L 6 Cyl Gas
 EPO = ENGINES - ALL 2.5L 4 CYL GAS
 DCB = Transmission - 4-Speed Manual,T3340
 DDQ = 5-Speed Manual Transmission
 DDX = 5-Speed HD Manual Transmission
 DGD = 3-Spd. Automatic 30RH Transmission
 DGK = 4-Spd. Automatic 42RE Transmission
 DGS = 4-Speed Automatic AW4 Transmission
 DGT = 4-Spd. Automatic 46RE Transmission
 DGW = TRANSMISSION - 4-SPD. AUTOMATIC,44RE
 DGX = 4-Speed Automatic Transmission
 DGY = No Description Available
 DGZ = Transmission- 4-Spd. Automatic,MT643
 DBB = ALL MANUAL TRANSMISSIONS
 DGO = TRANSMISSIONS - ALL AUTOMATIC

AR = use ase required - = Non illustrated part

Frame and Pad
Figure IXJ-610



ITEM	PART NUMBER	QTY	LINE	SERIES	BODY	ENGINE	TRANS	TRIM	DESCRIPTION
		2	J, T		72			*XJ	
		2	J, T		74			*X5	
		2	B, U		74			*M5	
		2	B, U		74			*B6	
		2	B, U		74			*XJ	
		2	B, U		74			*DL	
		2	J, T, U		72			*B6	
26	5AJ471C3	2	J, T		74			*B6	STRAP, Rear Seat Latch
		2	J, T		74			*DL	Mist Gray
		2	J, T		72			*M5	Mist Gray
		2	J, T		74			*XJ	Mist Gray
		2	J, T		72			*XJ	Mist Gray
		2	J, T		74			*M5	Mist Gray
		2	J, T		74			*X5	Mist Gray
		2	B, U		74			*M5	Mist Gray
		2	B, U		74			*B6	Mist Gray
		2	B, U		74			*XJ	Mist Gray
		2	B, U		74			*DL	Mist Gray
	5AJ471T6	1	J, T, U		72			*B6	Mist Gray
		2	J, T		74			*B6	Saddle
		2	J, T		74			*DL	Saddle

CHEROKEE (XJ)

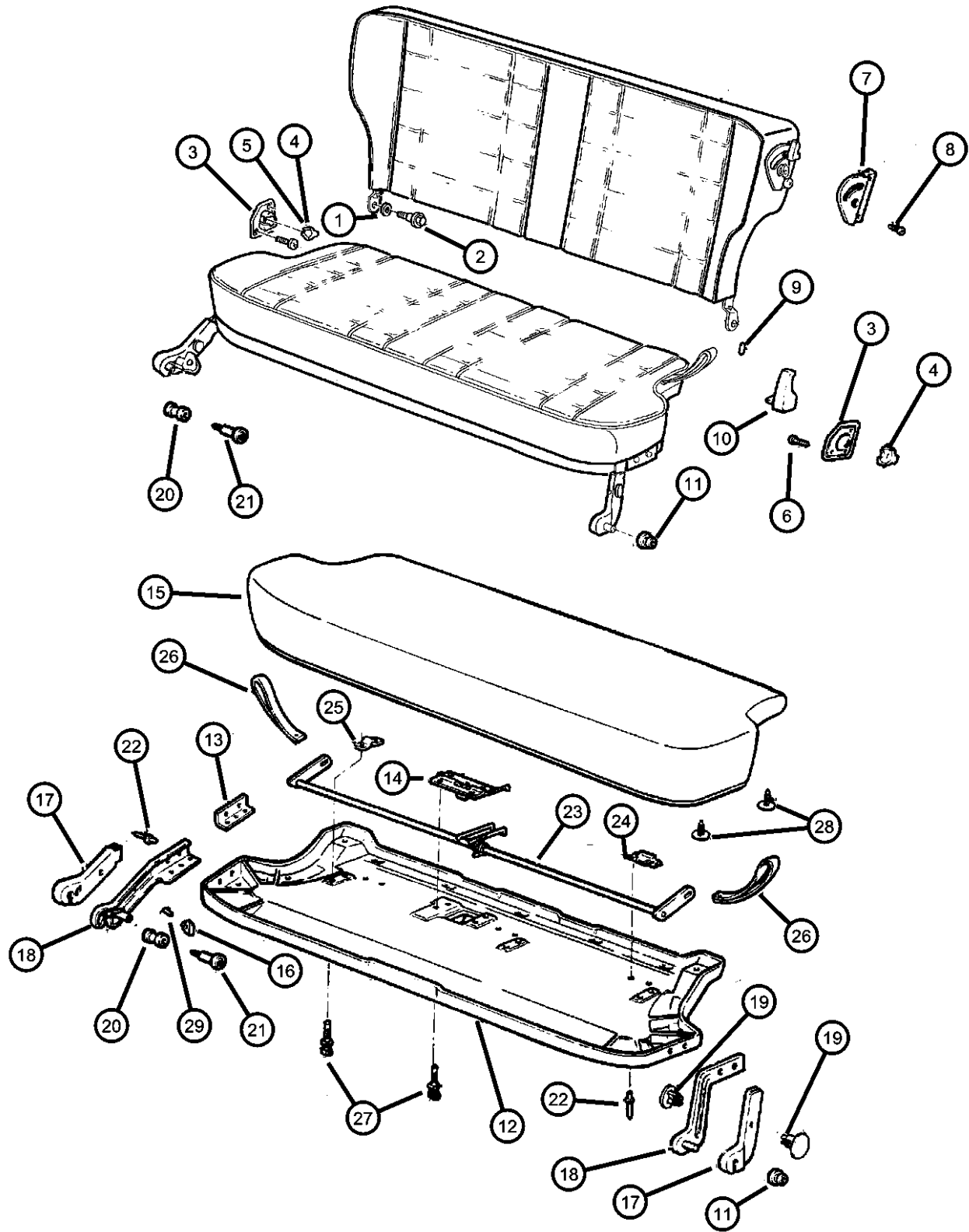
SERIES LINE
 L = LOWLINE B = JEEP - 2WD (RHD)
 U = JEEP - 4WD (RHD)
 T = LHD - (2WD)
 J = JEEP - - LHD (4WD)

BODY
 72 = 2DR (101.4 WB)
 74 = 4 DR (101.4 WB)

ENGINE TRANSMISSION
 ENC = 2.5L 4 Cyl Turbo Diesel Engine DCB = Transmission - 4-Speed Manual,T3340
 EPE = Engine - 2.5L Power Tech I-4 Cyl. DDQ = 5-Speed Manual Transmission
 ERH = 4.0L Power Tech I-6 Engine DDG = 5-Speed HD Manual Transmission
 ENO = Engines - ALL 4/5 CYL Turbo Diesel DGD = 3-Spd. Automatic 30RH Transmission
 ERO = Engines - All 4.0L 6 Cyl Gas DGK = 4-Spd. Automatic 42RE Transmission
 EPO = ENGINES - ALL 2.5L 4 CYL GAS DGS = 4-Speed Automatic AW4 Transmission
 DGT = 4-Spd. Automatic 46RE Transmission
 DGW = TRANSMISSION - 4-SPD. AUTOMATIC,44RE
 DGX = 4-Speed Automatic Transmission
 DGY = No Description Available
 DGZ = Transmission- 4-Spd. Automatic,MT643
 DBB = ALL MANUAL TRANSMISSIONS
 DGO = TRANSMISSIONS - ALL AUTOMATIC

AR = use ase required - = Non illustrated part

Frame and Pad
Figure IXJ-610



ITEM	PART NUMBER	QTY	LINE	SERIES	BODY	ENGINE	TRANS	TRIM	DESCRIPTION
		2	J, T		72			*M5	Saddle
		2	J, T		74			*XJ	Saddle
		2	J, T		72			*XJ	Saddle
		2	J, T		74			*M5	Saddle
		2	J, T		74			*X5	Saddle
		2	B, U		74			*M5	Saddle
		2	B, U		74			*B6	Saddle
		2	B, U		74			*XJ	Saddle
		2	B, U		74			*DL	Saddle
		1	J, T, U		72			*B6	Saddle
27	34202078	6	J, T		74				RIVET, Blind, M6.25x28
		6	J, T		74			*B6	
		6	J, T		74			*DL	
		6	J, T		72			*M5	
		6	J, T		74			*M5	
		6	J, T		74			*X5	
		6	B, U		74			*M5	
		6	B, U		74			*B6	
		6	J, T		72			*XJ	
		6	J, T		74			*XJ	
		6	B, U		74			*XJ	
		6	B, U		74			*DL	

CHEROKEE (XJ)

SERIES LINE
 L = LOWLINE B = JEEP - 2WD (RHD)
 U = JEEP - 4WD (RHD)
 T = LHD - (2WD)
 J = JEEP - - LHD (4WD)

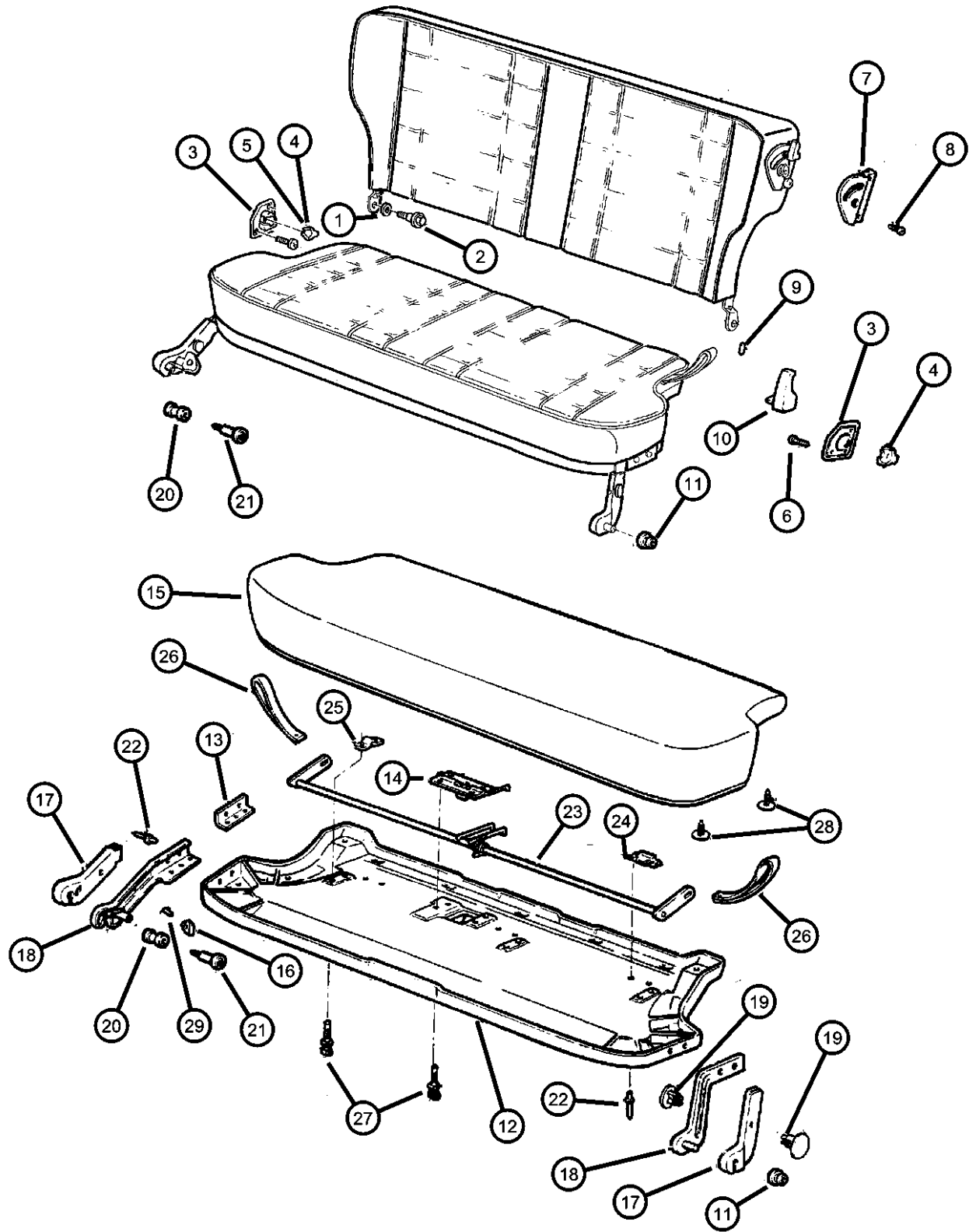
BODY
 72 = 2DR (101.4 WB)
 74 = 4 DR (101.4 WB)

ENGINE TRANSMISSION
 ENC = 2.5L 4 Cyl Turbo Diesel Engine
 EPE = Engine - 2.5L Power Tech I-4 Cyl.
 ERH = 4.0L Power Tech I-6 Engine
 ENO = Engines - ALL 4/5 CYL Turbo Diesel
 ERO = Engines - All 4.0L 6 Cyl Gas
 EPO = ENGINES - ALL 2.5L 4 CYL GAS
 DCB = Transmission - 4-Speed Manual, T3340
 DDQ = 5-Speed Manual Transmission
 DDG = 5-Speed HD Manual Transmission
 DGD = 3-Spd. Automatic 30RH Transmission
 DGK = 4-Spd. Automatic 42RE Transmission
 DGS = 4-Speed Automatic AW4 Transmission
 DGT = 4-Spd. Automatic 46RE Transmission
 DGW = TRANSMISSION - 4-SPD. AUTOMATIC, 44RE
 DGX = 4-Speed Automatic Transmission
 DGY = No Description Available
 DGZ = Transmission- 4-Spd. Automatic, MT643
 DBB = ALL MANUAL TRANSMISSIONS
 DGO = TRANSMISSIONS - ALL AUTOMATIC

AR = use ase required - = Non illustrated part

1998 XJ

Frame and Pad
Figure IXJ-610



ITEM	PART NUMBER	QTY	LINE	SERIES	BODY	ENGINE	TRANS	TRIM	DESCRIPTION
28		6	J, T, U		72			*B6	FASTENER, .193 Hole
	5AA341C3	6	J, T		74			*B6	Mist Gray
		6	J, T		74			*DL	Mist Gray
		6	J, T		72			*M5	Mist Gray
		6	J, T		74			*M5	Mist Gray
		6	J, T		72			*XJ	Mist Gray
		6	J, T		74			*XJ	Mist Gray
		6	B, U		74			*XJ	Mist Gray
		6	B, U		74			*DL	Mist Gray
		6	J, T		74			*X5	Mist Gray
		6	B, U		74			*M5	Mist Gray
		6	B, U		74			*B6	Mist Gray
	5AA341T6	6	J, T, U		72			*B6	Mist Gray
		6	J, T		74			*B6	Saddle
		6	J, T		74			*DL	Saddle
		6	J, T		72			*XJ	Saddle
		6	J, T		74			*XJ	Saddle
		6	J, T		74			*M5	Saddle
		6	B, U		74			*XJ	Saddle
		6	B, U		74			*DL	Saddle
		6	J, T		74			*X5	Saddle

CHEROKEE (XJ)

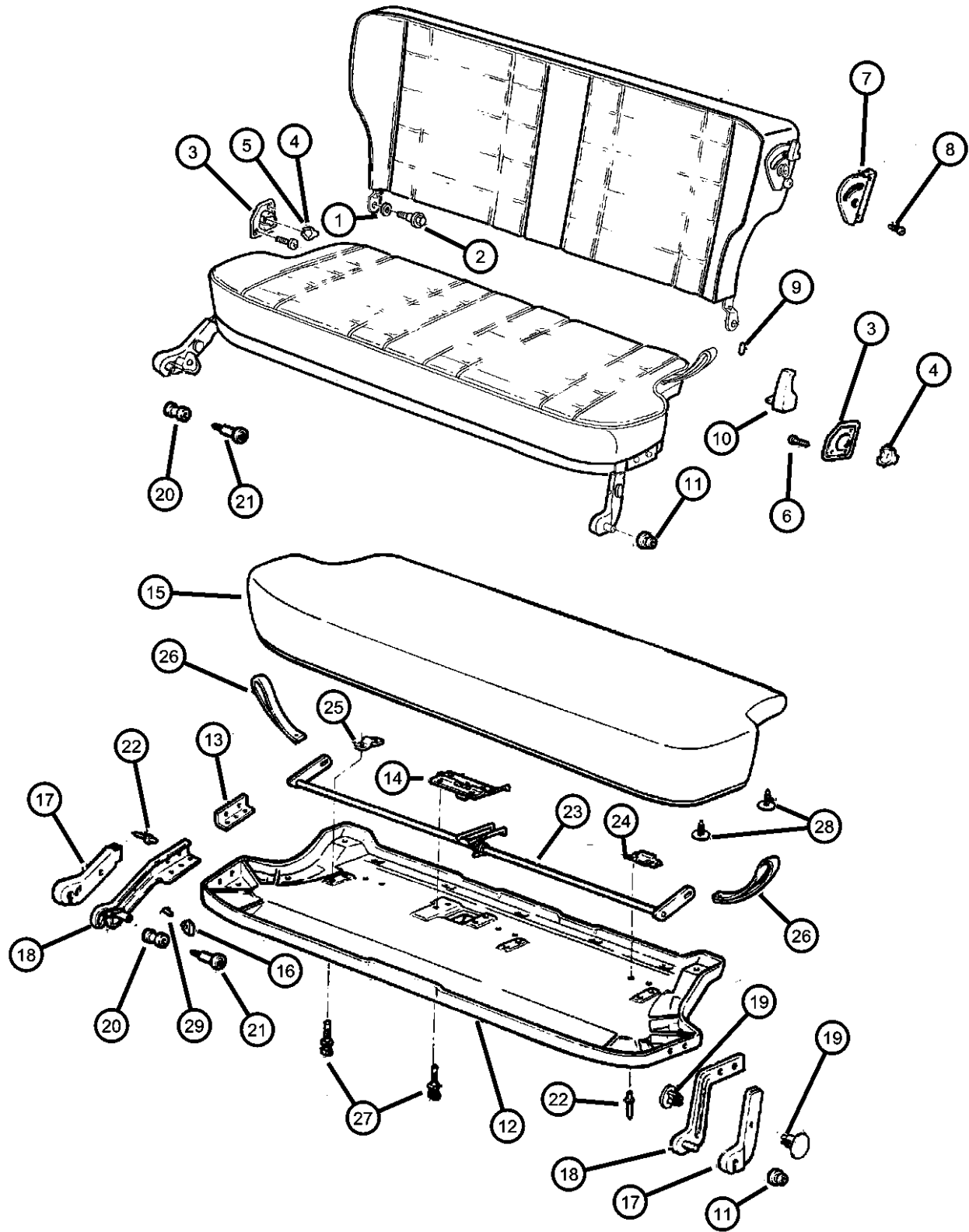
SERIES LINE
 L = LOWLINE B = JEEP - 2WD (RHD)
 U = JEEP - 4WD (RHD)
 T = LHD - (2WD)
 J = JEEP - - LHD (4WD)

BODY
 72 = 2DR (101.4 WB)
 74 = 4 DR (101.4 WB)

ENGINE TRANSMISSION
 ENC = 2.5L 4 Cyl Turbo Diesel Engine
 EPE = Engine - 2.5L Power Tech I-4 Cyl.
 ERH = 4.0L Power Tech I-6 Engine
 ENO = Engines - ALL 4/5 CYL Turbo Diesel
 ERO = Engines - All 4.0L 6 Cyl Gas
 EPO = ENGINES - ALL 2.5L 4 CYL GAS
 DCB = Transmission - 4-Speed Manual,T3340
 DDQ = 5-Speed Manual Transmission
 DDX = 5-Speed HD Manual Transmission
 DGD = 3-Spd. Automatic 30RH Transmission
 DGK = 4-Spd. Automatic 42RE Transmission
 DGS = 4-Speed Automatic AW4 Transmission
 DGT = 4-Spd. Automatic 46RE Transmission
 DGW = TRANSMISSION - 4-SPD. AUTOMATIC,44RE
 DGX = 4-Speed Automatic Transmission
 DGY = No Description Available
 DGZ = Transmission- 4-Spd. Automatic,MT643
 DBB = ALL MANUAL TRANSMISSIONS
 DGO = TRANSMISSIONS - ALL AUTOMATIC

AR = use ase required - = Non illustrated part

Frame and Pad
Figure IXJ-610



ITEM	PART NUMBER	QTY	LINE	SERIES	BODY	ENGINE	TRANS	TRIM	DESCRIPTION
29	J0455735	6	B, U		74			*M5	Saddle
		6	B, U		74			*B6	Saddle
		6	J, T, U		72			*B6	Saddle
		4	J, T, U		72				SPRING, Pin
		4	J, T		74			*B6	
		4	J, T		72			*M5	
		4	J, T		74			*M5	
		4	J, T		74			*XJ	
		4	J, T		72			*XJ	
		4	B, U		74			*XJ	
		4	J, T		74			*X5	
		4	B, U		74			*M5	
-30		4	B, U		74			*B6	
		4	J, T		74			*DL	
		4	B, U		74			*DL	
		4							TETHER PACKAGE, Child Seat, (NOT REQUIRED)

CHEROKEE (XJ)

SERIES LINE
L = LOWLINE B = JEEP - 2WD (RHD)
U = JEEP - 4WD (RHD)
T = LHD - (2WD)
J = JEEP - - LHD (4WD)

BODY
72 = 2DR (101.4 WB)
74 = 4 DR (101.4 WB)

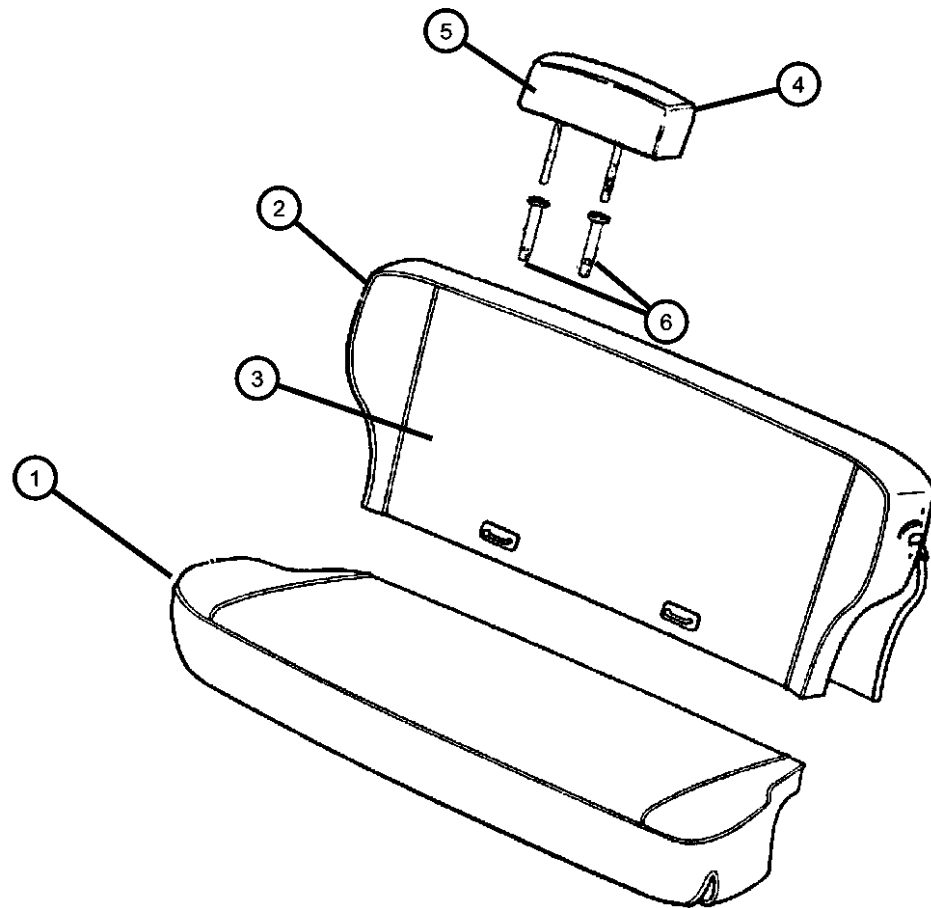
ENGINE TRANSMISSION
ENC = 2.5L 4 Cyl Turbo Diesel Engine DCB = Transmission - 4-Speed Manual,T3340
EPE = Engine - 2.5L Power Tech I-4 Cyl. DDQ = 5-Speed Manual Transmission
ERH = 4.0L Power Tech I-6 Engine DDX = 5-Speed HD Manual Transmission
DGD = 3-Spd. Automatic 30RH Transmission
ENO = Engines - ALL 4/5 CYL Turbo Diesel DGK = 4-Spd. Automatic 42RE Transmission
ERO = Engines - All 4.0L 6 Cyl Gas DGS = 4-Speed Automatic AW4 Transmission
EPO = ENGINES - ALL 2.5L 4 CYL GAS DGT = 4-Spd. Automatic 46RE Transmission
DGW = TRANSMISSION - 4-SPD. AUTOMATIC,44RE
DGX = 4-Speed Automatic Transmission
DGY = No Description Available
DGZ = Transmission- 4-Spd. Automatic,MT643
DBB = ALL MANUAL TRANSMISSIONS
DGO = TRANSMISSIONS - ALL AUTOMATIC

AR = use ase required - = Non illustrated part

1998 XJ

**Covers, seat Upholstery
Figure IXJ-620**

ITEM	PART NUMBER	QTY	LINE	SERIES	BODY	ENGINE	TRANS	TRIM	DESCRIPTION
1									COVER, Rear Seat Cushion
	0RG611C3AA	1	J, T, U		72			*B6	Mist Gray
		1	J, T		74			*B6	Mist Gray
		1	J, T		74			*X5	Mist Gray
		1	B, U		74			*B6	Mist Gray
	0RG611T6AA	1	J, T, U		72			*B6	Saddle
		1	J, T		74			*B6	Saddle
		1	J, T		74			*X5	Saddle
		1	B, U		74			*B6	Saddle
	0RG641C3AA	1	J, T		74			*DL	Mist Gray
		1	B, U		74			*DL	Mist Gray
	0RG641T6AA	1	J, T		74			*DL	Saddle
		1	B, U		74			*DL	Saddle
	0RG741C3AA	1	J, T		72			*M5	Mist Gray
		1	J, T		74			*M5	Mist Gray
		1	B, U		74			*M5	Mist Gray
	0RG741T6AA	1	J, T		72			*M5	Saddle
		1	J, T		74			*M5	Saddle
		1	B, U		74			*M5	Saddle
	0RG751C3AA	1	J, T		72			*XJ	Mist Gray
		1	J, T		74			*XJ	Mist Gray
		1	B, U		74			*XJ	Mist Gray
	0RG751T6AA	1	J, T		72			*XJ	Saddle



CHEROKEE (XJ)

SERIES

L = LOWLINE

LINE

B = JEEP - 2WD (RHD)
U = JEEP - 4WD (RHD)
T = LHD - (2WD)
J = JEEP - - LHD (4WD)

BODY

72 = 2DR (101.4 WB)
74 = 4 DR (101.4 WB)

ENGINE

ENC = 2.5L 4 Cyl Turbo Diesel Engine
EPE = Engine - 2.5L Power Tech I-4 Cyl.
ERH = 4.0L Power Tech I-6 Engine
ENO = Engines - ALL 4/5 CYL Turbo Diesel
ERO = Engines - All 4.0L 6 Cyl Gas
EPO = ENGINES - ALL 2.5L 4 CYL GAS

TRANSMISSION

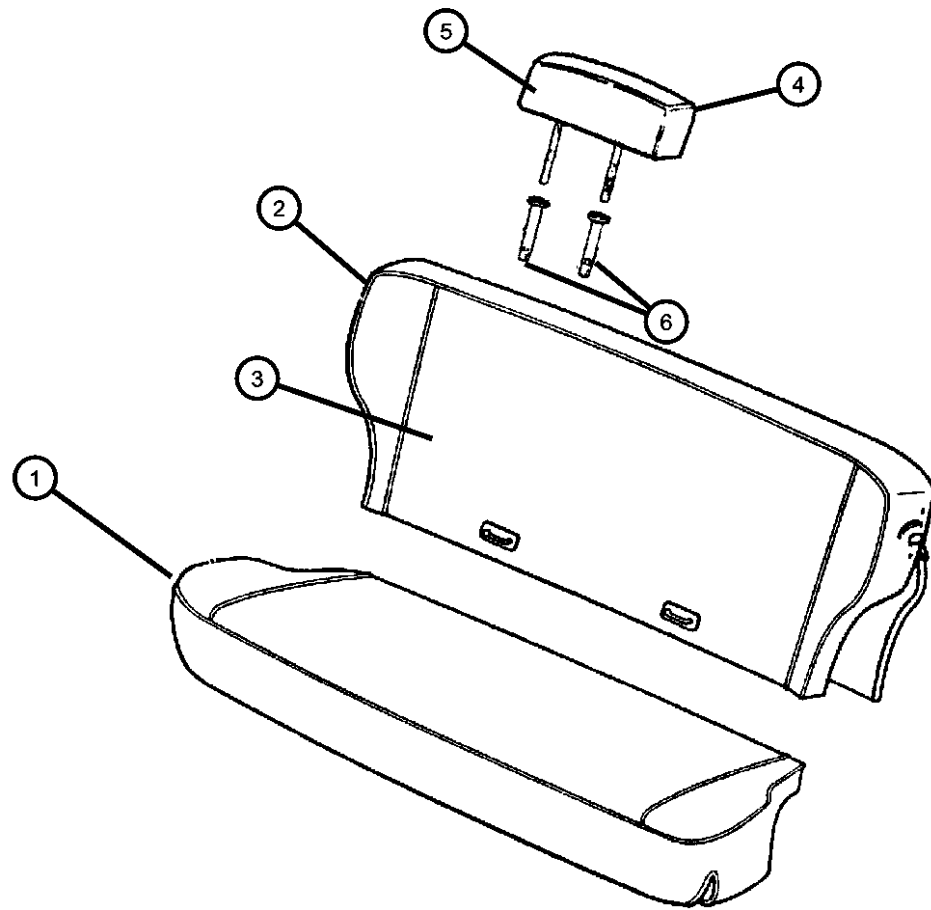
DCB = Transmission - 4-Speed Manual,T3340
DDQ = 5-Speed Manual Transmission
DDX = 5-Speed HD Manual Transmission
DGD = 3-Spd. Automatic 30RH Transmission
DGK = 4-Spd. Automatic 42RE Transmission
DGS = 4-Speed Automatic AW4 Transmission
DGT = 4-Spd. Automatic 46RE Transmission
DGW = TRANSMISSION - 4-SPD. AUTOMATIC,44RE
DGX = 4-Speed Automatic Transmission
DGY = No Description Available
DGZ = Transmission- 4-Spd. Automatic,MT643
DBB = ALL MANUAL TRANSMISSIONS
DGO = TRANSMISSIONS - ALL AUTOMATIC

AR = use ase required - = Non illustrated part

1998 XJ

**Covers, seat Upholstery
Figure IXJ-620**

ITEM	PART NUMBER	QTY	LINE	SERIES	BODY	ENGINE	TRANS	TRIM	DESCRIPTION
		1	J, T		74			*XJ	Saddle
		1	B, U		74			*XJ	Saddle
2									SEAT BACK, Rear
	0QV961C3AA	1	J, T, U		72			*B6	Mist Gray
		1	J, T		74			*B6	Mist Gray
		1	B, U		74			*B6	Mist Gray
		1	J, T		74			*X5	Mist Gray
	0QV961T6AA	1	J, T, U		72			*B6	Saddle
		1	J, T		74			*B6	Saddle
		1	B, U		74			*B6	Saddle
		1	J, T		74			*X5	Saddle
	0QW081C3AA	1	J, T		74			*DL	Mist Gray
	0QW081T6AA	1	J, T		74			*DL	Saddle
	0QW101C3AA	1	B, U		74			*DL	Mist Gray
	0QW101T6AA	1	B, U		74			*DL	Saddle
	0QW251C3AA	1	J, T		72			*M5	Mist Gray
		1	J, T		74			*M5	Mist Gray
		1	B, U		74			*M5	Mist Gray
	0QW251T6AA	1	J, T		72			*M5	Saddle
		1	J, T		74			*M5	Saddle
		1	B, U		74			*M5	Saddle
	0QW471C3AA	1	J, T		74			*XJ	Mist Gray



CHEROKEE (XJ)

SERIES LINE
L = LOWLINE B = JEEP - 2WD (RHD)
 U = JEEP - 4WD (RHD)
 T = LHD - (2WD)
 J = JEEP - - LHD (4WD)

BODY
72 = 2DR (101.4 WB)
74 = 4 DR (101.4 WB)

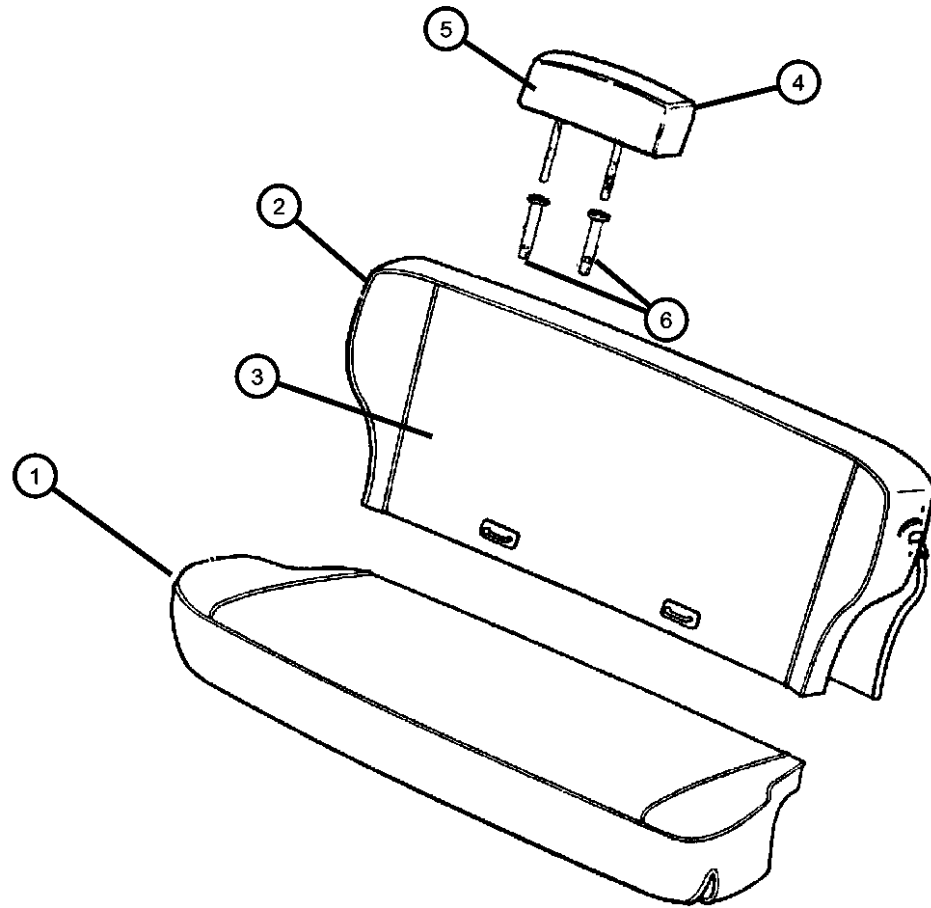
ENGINE TRANSMISSION
ENC = 2.5L 4 Cyl Turbo Diesel Engine
EPE = Engine - 2.5L Power Tech I-4 Cyl.
ERH = 4.0L Power Tech I-6 Engine
ENO = Engines - ALL 4/5 CYL Turbo Diesel
ERO = Engines - All 4.0L 6 Cyl Gas
EPO = ENGINES - ALL 2.5L 4 CYL GAS

DCB = Transmission - 4-Speed Manual,T3340
DDQ = 5-Speed Manual Transmission
DDX = 5-Speed HD Manual Transmission
DGD = 3-Spd. Automatic 30RH Transmission
DGK = 4-Spd. Automatic 42RE Transmission
DGS = 4-Speed Automatic AW4 Transmission
DGT = 4-Spd. Automatic 46RE Transmission
DGW = TRANSMISSION - 4-SPD. AUTOMATIC,44RE
DGX = 4-Speed Automatic Transmission
DGY = No Description Available
DGZ = Transmission- 4-Spd. Automatic,MT643
DBB = ALL MANUAL TRANSMISSIONS
DGO = TRANSMISSIONS - ALL AUTOMATIC

AR = use ase required - = Non illustrated part

Covers, seat Upholstery
Figure IXJ-620

ITEM	PART NUMBER	QTY	LINE	SERIES	BODY	ENGINE	TRANS	TRIM	DESCRIPTION
	0QW471T6AA	1	J, T		74			*XJ	Saddle
	0QW531C3AA	1	J, T		72			*XJ	Mist Gray
		1	B, U		74			*XJ	Mist Gray
	0QW531T6AA	1	J, T		72			*XJ	Saddle
		1	B, U		74			*XJ	Saddle
3									COVER, Rear Seat Back
	0QV991C3AA	1	J, T, U		72			*B6	Mist Gray
		1	J, T		74			*B6	Mist Gray
		1	J, T		74			*X5	Mist Gray
		1	B, U		74			*B6	Mist Gray
	0QV991T6AA	1	J, T, U		72			*B6	Saddle
		1	J, T		74			*B6	Saddle
		1	J, T		74			*X5	Saddle
		1	B, U		74			*B6	Saddle
	0QW091C3AA	1	J, T		74			*DL	Mist Gray
	0QW091T6AA	1	J, T		74			*DL	Saddle
	0QW111C3AA	1	J, T		74			*DL	Export, Mist Gray
		1	B, U		74			*DL	Export, Mist Gray
	0QW111T6AA	1	J, T		74			*DL	Export, Saddle
		1	B, U		74			*DL	Export, Saddle
	0QW421C3AA	1	J, T		72			*M5	Mist Gray
		1	J, T		74			*M5	Mist Gray



CHEROKEE (XJ)

SERIES

L = LOWLINE

LINE

B = JEEP - 2WD (RHD)
U = JEEP - 4WD (RHD)
T = LHD - (2WD)
J = JEEP - - LHD (4WD)

BODY

72 = 2DR (101.4 WB)
74 = 4 DR (101.4 WB)

ENGINE

ENC = 2.5L 4 Cyl Turbo Diesel Engine
EPE = Engine - 2.5L Power Tech I-4 Cyl.
ERH = 4.0L Power Tech I-6 Engine
ENO = Engines - ALL 4/5 CYL Turbo Diesel
ERO = Engines - All 4.0L 6 Cyl Gas
EPO = ENGINES - ALL 2.5L 4 CYL GAS

TRANSMISSION

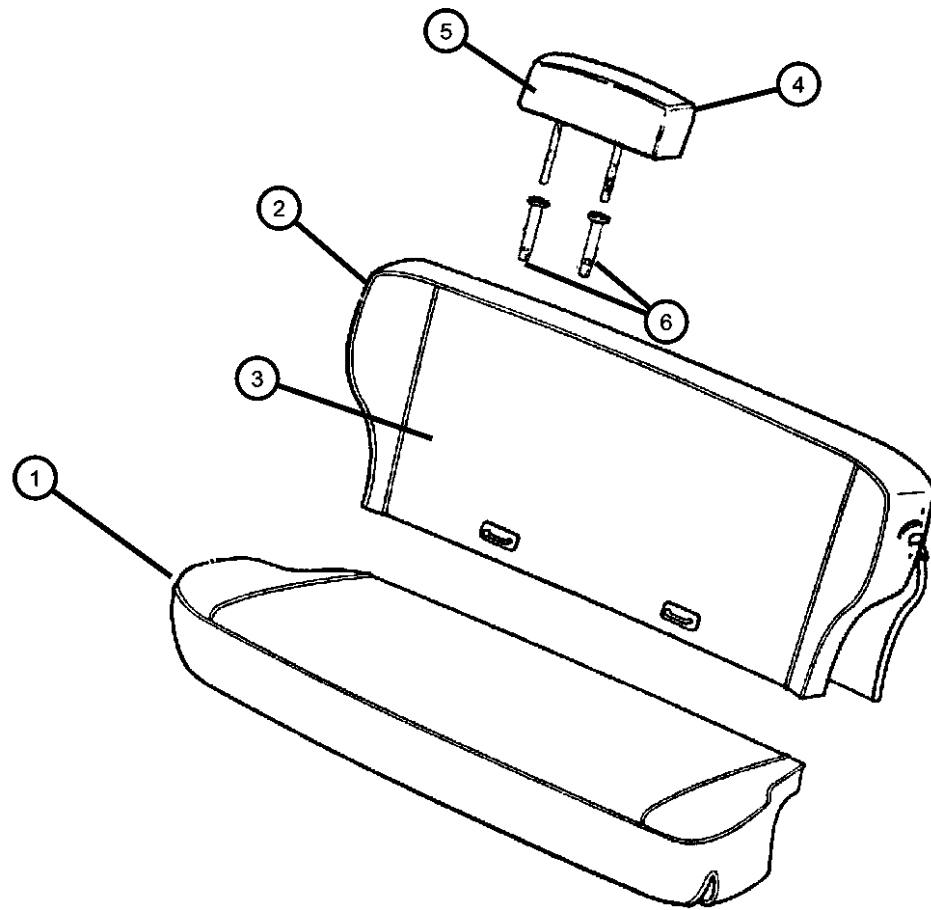
DCB = Transmission - 4-Speed Manual,T3340
DDQ = 5-Speed Manual Transmission
DDX = 5-Speed HD Manual Transmission
DGD = 3-Spd. Automatic 30RH Transmission
DGK = 4-Spd. Automatic 42RE Transmission
DGS = 4-Speed Automatic AW4 Transmission
DGT = 4-Spd. Automatic 46RE Transmission
DGW = TRANSMISSION - 4-SPD. AUTOMATIC,44RE
DGX = 4-Speed Automatic Transmission
DGY = No Description Available
DGZ = Transmission- 4-Spd. Automatic,MT643
DBB = ALL MANUAL TRANSMISSIONS
DGO = TRANSMISSIONS - ALL AUTOMATIC

AR = use ase required - = Non illustrated part

1998 XJ

**Covers, seat Upholstery
Figure IXJ-620**

ITEM	PART NUMBER	QTY	LINE	SERIES	BODY	ENGINE	TRANS	TRIM	DESCRIPTION
		1	B, U		74			*M5	Mist Gray
	0QW421T6AA	1	J, T		72			*M5	Saddle
		1	J, T		74			*M5	Saddle
		1	B, U		74			*M5	Saddle
	0QW521C3AA	1	J, T		74			*XJ	Mist Gray
	0QW521T6AA	1	J, T		74			*XJ	Saddle
	0QW601C3AA	1	J, T		72			*XJ	Export, Mist Gray
		1	J, T		74			*XJ	Export, Mist Gray
	0QW601T6AA	1	B, U		74			*XJ	Export, Mist Gray
		1	J, T		72			*XJ	Export, Saddle
		1	J, T		74			*XJ	Export, Saddle
		1	B, U		74			*XJ	Export, Saddle
4									HEADREST, Rear
	0QW191C3AA	2	J, T		74			*DL	Export, Mist Gray
		2	B, U		74			*DL	Export, Mist Gray
	0QW191T6AA	2	B, U		74			*DL	Export, Saddle
	0QW641C3AA	2	J, T		72			*XJ	Export, Mist Gray
		2	J, T		74			*XJ	Export, Mist Gray
		2	B, U		74			*XJ	Export, Mist Gray
	0QW641T6AA	2	J, T		72			*XJ	Export, Saddle
		2	J, T		74			*XJ	Export, Saddle
		2	B, U		74			*XJ	Export, Saddle



CHEROKEE (XJ)

SERIES

L = LOWLINE
 B = JEEP - 2WD (RHD)
 U = JEEP - 4WD (RHD)
 T = LHD - (2WD)
 J = JEEP - - LHD (4WD)

LINE

BODY

72 = 2DR (101.4 WB)
 74 = 4 DR (101.4 WB)

ENGINE

ENC = 2.5L 4 Cyl Turbo Diesel Engine
 EPE = Engine - 2.5L Power Tech I-4 Cyl.
 ERH = 4.0L Power Tech I-6 Engine
 ENO = Engines - ALL 4/5 CYL Turbo Diesel
 ERO = Engines - All 4.0L 6 Cyl Gas
 EPO = ENGINES - ALL 2.5L 4 CYL GAS

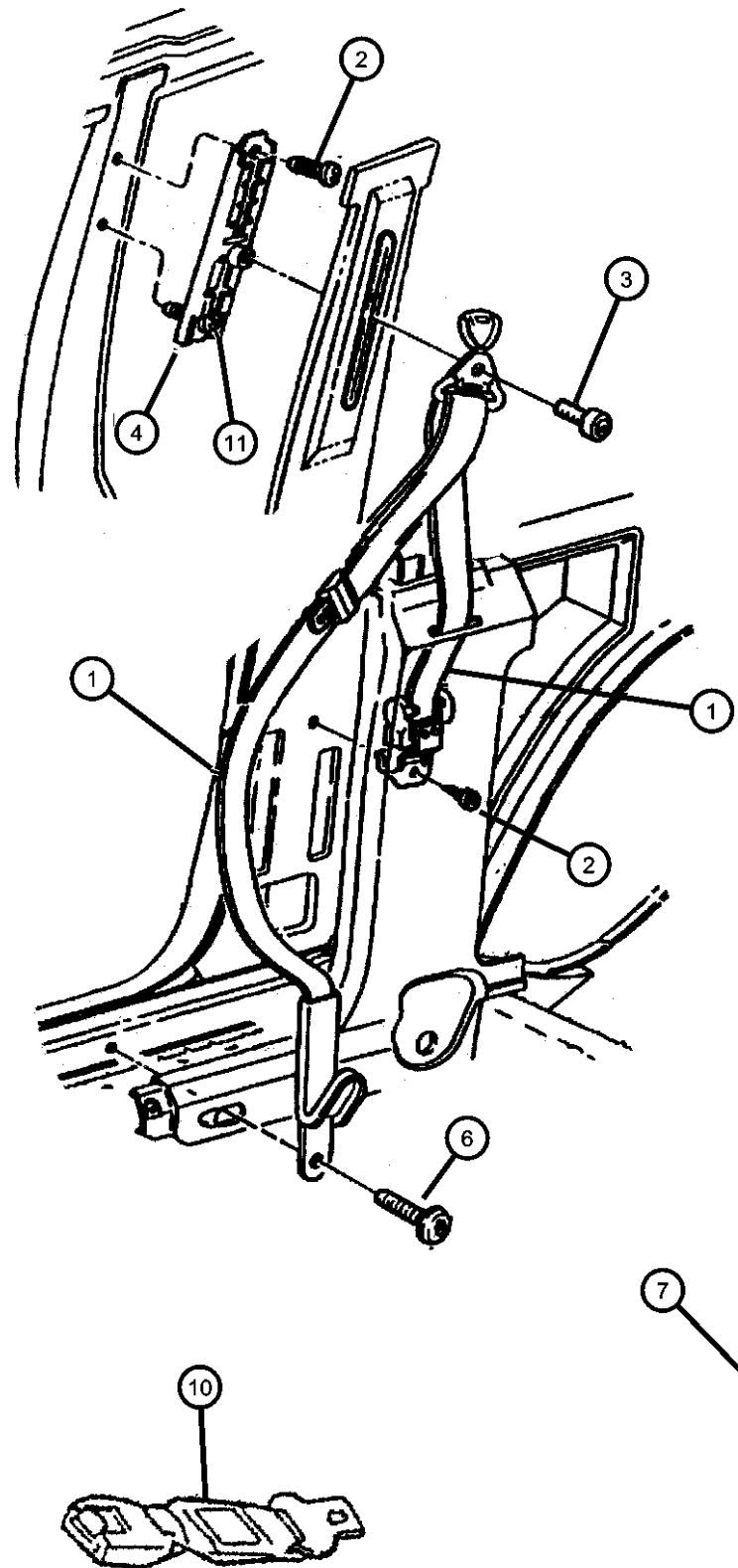
TRANSMISSION

DCB = Transmission - 4-Speed Manual,T3340
 DDQ = 5-Speed Manual Transmission
 DDX = 5-Speed HD Manual Transmission
 DGD = 3-Spd. Automatic 30RH Transmission
 DGK = 4-Spd. Automatic 42RE Transmission
 DGS = 4-Speed Automatic AW4 Transmission
 DGT = 4-Spd. Automatic 46RE Transmission
 DGW = TRANSMISSION - 4-SPD. AUTOMATIC,44RE
 DGX = 4-Speed Automatic Transmission
 DGY = No Description Available
 DGZ = Transmission- 4-Spd. Automatic,MT643
 DBB = ALL MANUAL TRANSMISSIONS
 DGO = TRANSMISSIONS - ALL AUTOMATIC

AR = use ase required - = Non illustrated part

1998 XJ

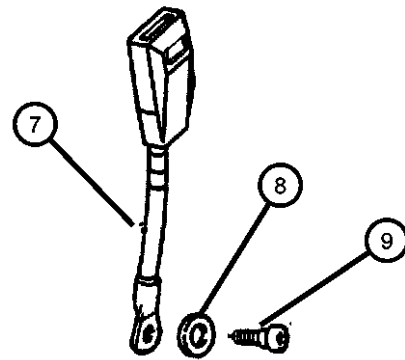
Seat Belts, Front Seat
Figure IXJ-710



ITEM	PART NUMBER	QTY	LINE	SERIES	BODY	ENGINE	TRANS	TRIM	DESCRIPTION
1									SEAT BELT, Front Outer
	55217140	2	J, U		72				Export
	5EZ14LAZAB	1	J, T, U		72			*O0	Right
	5EZ15LAZAB	1	J, T, U		72			*O0	Left
2	06034384	2							SCREW, Pan Head, .437-20x1.15
3	06034457	2	J, T, U		72				SCREW, Pan Head, .437-20x1.375
4	55314697AB	2							ADJUSTER, Seat Belt Turning Loop
-5	55352693AA	2	J, T, U		72				SPACER
6	06034398	2	J, T, U		72				SCREW, Pan Head
7									SEAT BELT, Front Inner
	55217188	1	J, T		72			*XJ	Manual Seats, Right
	55217189	1	J, T		72			*XJ	Manual Seats, Left
	55314868	1	J, T		72			*XJ	Power Seats, Right
	55314869	1	J, T		72			*XJ	Power Seats, Left
	5EE52LAZ	1	J, T, U		72			*B6	Agate, Right
		1	J, T		72			*M5	Agate, Right
	5EE53LAZ	1	J, T, U		72			*B6	Agate, Left
		1	J, T		72			*M5	Agate, Manual Seats, Left
	5FS25LAZ	1	J, T		72			*M5	Agate, Power Seats, Left
8	04798898	2	J, T		72			*XJ	WASHER, Seat Belt Attaching
9									SCREW, Button Head, .375-24x.62
	06035115	2	J, T		72			*M5	

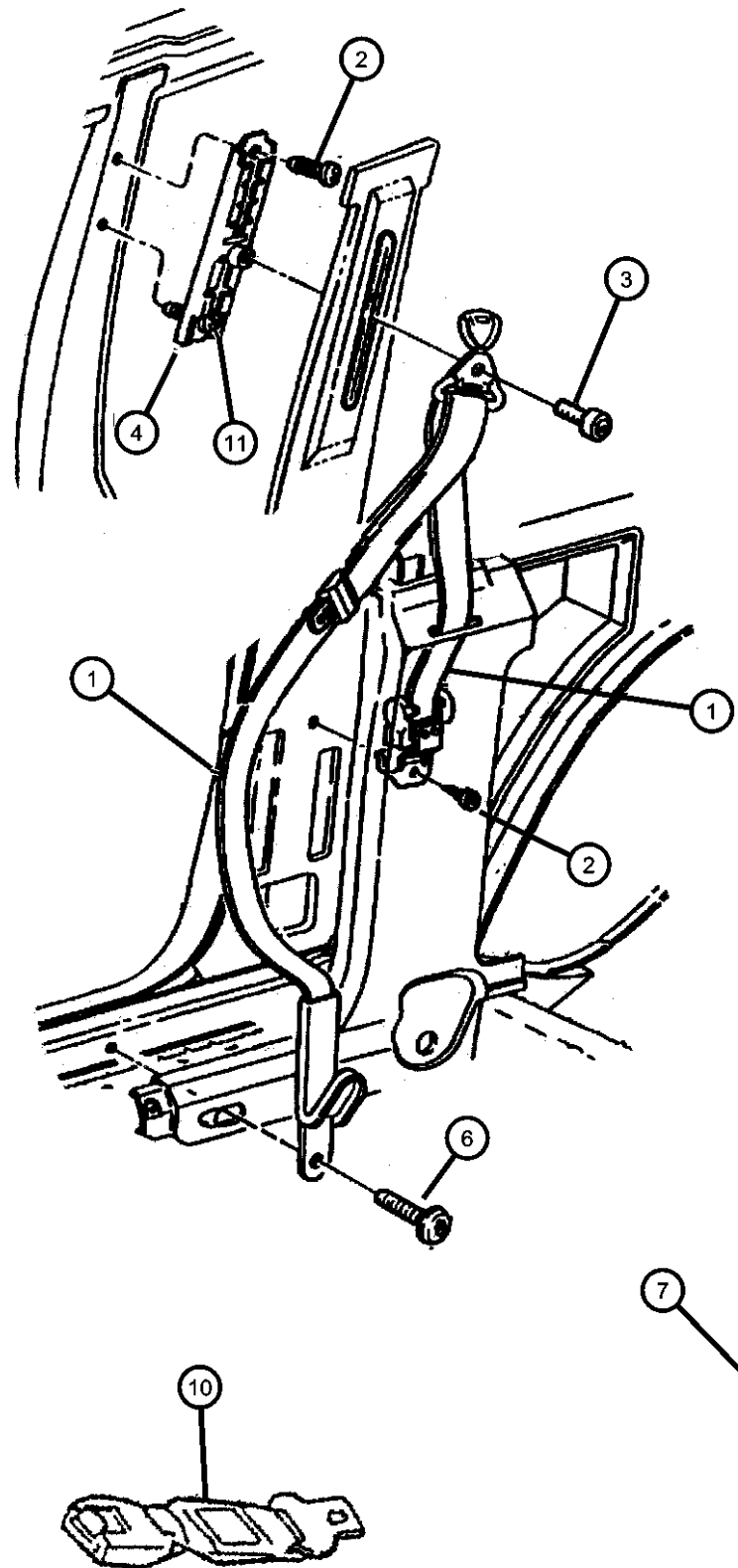
CHEROKEE (XJ)

SERIES	LINE	BODY	ENGINE	TRANSMISSION
L = LOWLINE	B = JEEP - 2WD (RHD) U = JEEP - 4WD (RHD) T = LHD - (2WD) J = JEEP - - LHD (4WD)	72 = 2DR (101.4 WB) 74 = 4 DR (101.4 WB)	ENC = 2.5L 4 Cyl Turbo Diesel Engine EPE = Engine - 2.5L Power Tech I-4 Cyl. ERH = 4.0L Power Tech I-6 Engine ENO = Engines - ALL 4/5 CYL Turbo Diesel ERO = Engines - All 4.0L 6 Cyl Gas EPO = ENGINES - ALL 2.5L 4 CYL GAS	DCB = Transmission - 4-Speed Manual,T3340 DDQ = 5-Speed Manual Transmission DDX = 5-Speed HD Manual Transmission DGD = 3-Spd. Automatic 30RH Transmission DGK = 4-Spd. Automatic 42RE Transmission DGS = 4-Speed Automatic AW4 Transmission DGT = 4-Spd. Automatic 46RE Transmission DGW = TRANSMISSION - 4-SPD. AUTOMATIC,44RE DGX = 4-Speed Automatic Transmission DGY = No Description Available DGZ = Transmission- 4-Spd. Automatic,MT643 DBB = ALL MANUAL TRANSMISSIONS DGO = TRANSMISSIONS - ALL AUTOMATIC

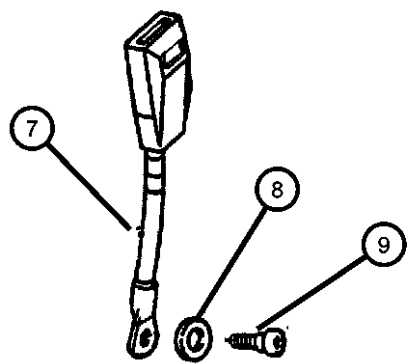


AR = use ase required - = Non illustrated part

Seat Belts, Front Seat
Figure IXJ-710



ITEM	PART NUMBER	QTY	LINE	SERIES	BODY	ENGINE	TRANS	TRIM	DESCRIPTION
		2	J, T		72			*XJ	
		2	J, T, U		72			*B6	
10	04740415	1							EXTENDER, Seat Belt
11	06502985	2							SCREW, Hex Head, M10x1.5x30



CHEROKEE (XJ)

SERIES	LINE	BODY	ENGINE	TRANSMISSION
L = LOWLINE	B = JEEP - 2WD (RHD) U = JEEP - 4WD (RHD) T = LHD - (2WD) J = JEEP - - LHD (4WD)	72 = 2DR (101.4 WB) 74 = 4 DR (101.4 WB)	ENC = 2.5L 4 Cyl Turbo Diesel Engine EPE = Engine - 2.5L Power Tech I-4 Cyl. ERH = 4.0L Power Tech I-6 Engine ENO = Engines - ALL 4/5 CYL Turbo Diesel ERO = Engines - All 4.0L 6 Cyl Gas EPO = ENGINES - ALL 2.5L 4 CYL GAS	DCB = Transmission - 4-Speed Manual,T3340 DDQ = 5-Speed Manual Transmission DDX = 5-Speed HD Manual Transmission DGD = 3-Spd. Automatic 30RH Transmission DGK = 4-Spd. Automatic 42RE Transmission DGS = 4-Speed Automatic AW4 Transmission DGT = 4-Spd. Automatic 46RE Transmission DGW = TRANSMISSION - 4-SPD. AUTOMATIC,44RE DGX = 4-Speed Automatic Transmission DGY = No Description Available DGZ = Transmission- 4-Spd. Automatic,MT643 DBB = ALL MANUAL TRANSMISSIONS DGO = TRANSMISSIONS - ALL AUTOMATIC

AR = use ase required - = Non illustrated part

Seat Belts, Front Seat
Figure IXJ-720

ITEM	PART NUMBER	QTY	LINE	SERIES	BODY	ENGINE	TRANS	TRIM	DESCRIPTION
1	55217142	1	J, U		74				SEAT BELT, Front Outer Right, Export
	55217143	1	J, U		74				Left, Export
	5FM30LAZAB	1			74			*O0	Right
	5FM31LAZAB	1			74			*O0	Left
	06034384	2							SCREW, Pan Head, .437-20x1.15
3	06502985	2							SCREW, Hex Head, M10x1.5x30
4	55314697AB	2							ADJUSTER, Seat Belt Turning Loop
5	55314697AB	2							SCREW, Pan Head, .437-20x1.375, (NOT REQUIRED)
6	55314868	1	J, T		74			*XJ	SEAT BELT, Front Inner Power Seats, Right, Export
		1	J, T		74			*DL	Power Seats, Right, Export
	55314869	1	B, U		74			*XJ	Power Seats, Left, Export
		1	B, U		74			*DL	Power Seats, Left, Export
		1	J, T		74			*XJ	Power Seats, Left, Export
		1	J, T		74			*DL	Power Seats, Left, Export
	55352609	1	B, U		74			*XJ	Power Seats, Right, Export
		1	B, U		74			*DL	Power Seats, Right, Export
	55352612	1	B, U		74			*XJ	Manual Seats, Right, Export
		1	B, U		74			*M5	Manual Seats, Right, Export
		1	B, U		74			*B6	Manual Seats, Right, Export
	5EE52LAZ	1	J, T		74			*XJ	Agate, Right

CHEROKEE (XJ)

SERIES

L = LOWLINE

LINE

B = JEEP - 2WD (RHD)
U = JEEP - 4WD (RHD)
T = LHD - (2WD)
J = JEEP - - LHD (4WD)

BODY

72 = 2DR (101.4 WB)
74 = 4 DR (101.4 WB)

ENGINE

ENC = 2.5L 4 Cyl Turbo Diesel Engine
EPE = Engine - 2.5L Power Tech I-4 Cyl.
ERH = 4.0L Power Tech I-6 Engine
ENO = Engines - ALL 4/5 CYL Turbo Diesel
ERO = Engines - All 4.0L 6 Cyl Gas
EPO = ENGINES - ALL 2.5L 4 CYL GAS

TRANSMISSION

DCB = Transmission - 4-Speed Manual, T3340
DDQ = 5-Speed Manual Transmission
DDX = 5-Speed HD Manual Transmission
DGD = 3-Spd. Automatic 30RH Transmission
DGK = 4-Spd. Automatic 42RE Transmission
DGS = 4-Speed Automatic AW4 Transmission
DGT = 4-Spd. Automatic 46RE Transmission
DGW = TRANSMISSION - 4-SPD. AUTOMATIC, 44RE
DGX = 4-Speed Automatic Transmission
DGY = No Description Available
DGZ = Transmission- 4-Spd. Automatic, MT643
DBB = ALL MANUAL TRANSMISSIONS
DGO = TRANSMISSIONS - ALL AUTOMATIC

AR = use ase required - = Non illustrated part

1998 XJ

Seat Belts, Front Seat
Figure IXJ-720

ITEM	PART NUMBER	QTY	LINE	SERIES	BODY	ENGINE	TRANS	TRIM	DESCRIPTION
		1	J, T		74			*DL	Agate, Right
		1	J, T		74			*B6	Agate, Right
		1	J, T		74			*M5	Agate, Right
		1	J, T		74			*X5	Agate, Right
	5EE53LAZ	1	J, T		74			*B6	Agate, Left
		1	J, T		74			*M5	Agate Manual Seats, Left
		1	J, T		74			*XJ	Agate Manual Seats, Left
	5FS25LAZ	1	J, T		74			*X5	Agate Manual Seats, Left
		1	J, T		74			*XJ	Agate, Power Seats, Left
		1	J, T		74			*DL	Agate, Power Seats, Left
		1	J, T		74			*M5	Agate, Power Seats, Left
	5GA121AZAA	1	J, T		74			*X5	Agate, Power Seats, Left
		1	B, U		74			*M5	With Postal Package, Right
	5GA131AZAA	1	B, U		74			*B6	With Postal Package, Right
		1	B, U		74			*M5	With Postal Package, Left
		1	B, U		74			*B6	With Postal Package, Left
7									WASHER, Seat Belt Attaching
	04798898	2	J, T		74			*DL	
		2	J, T		74			*XJ	
		2	B, U		74			*XJ	
		2	B, U		74			*DL	
8									SCREW, Button Head, .375-24x.62

CHEROKEE (XJ)

SERIES

L = LOWLINE

LINE

B = JEEP - 2WD (RHD)
U = JEEP - 4WD (RHD)
T = LHD - (2WD)
J = JEEP - - LHD (4WD)

BODY

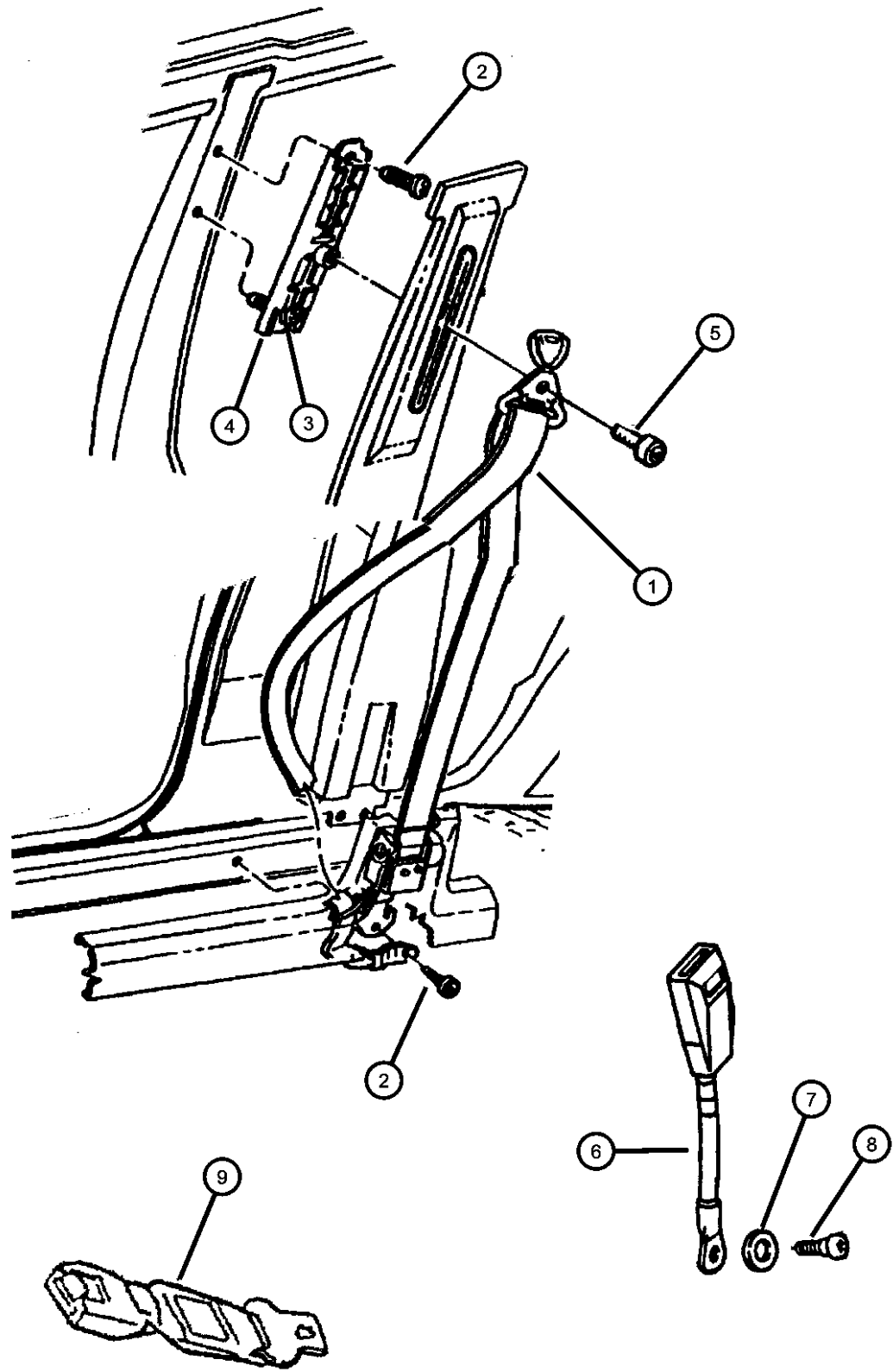
72 = 2DR (101.4 WB)
74 = 4 DR (101.4 WB)

ENGINE

ENC = 2.5L 4 Cyl Turbo Diesel Engine
EPE = Engine - 2.5L Power Tech I-4 Cyl.
ERH = 4.0L Power Tech I-6 Engine
ENO = Engines - ALL 4/5 CYL Turbo Diesel
ERO = Engines - All 4.0L 6 Cyl Gas
EPO = ENGINES - ALL 2.5L 4 CYL GAS

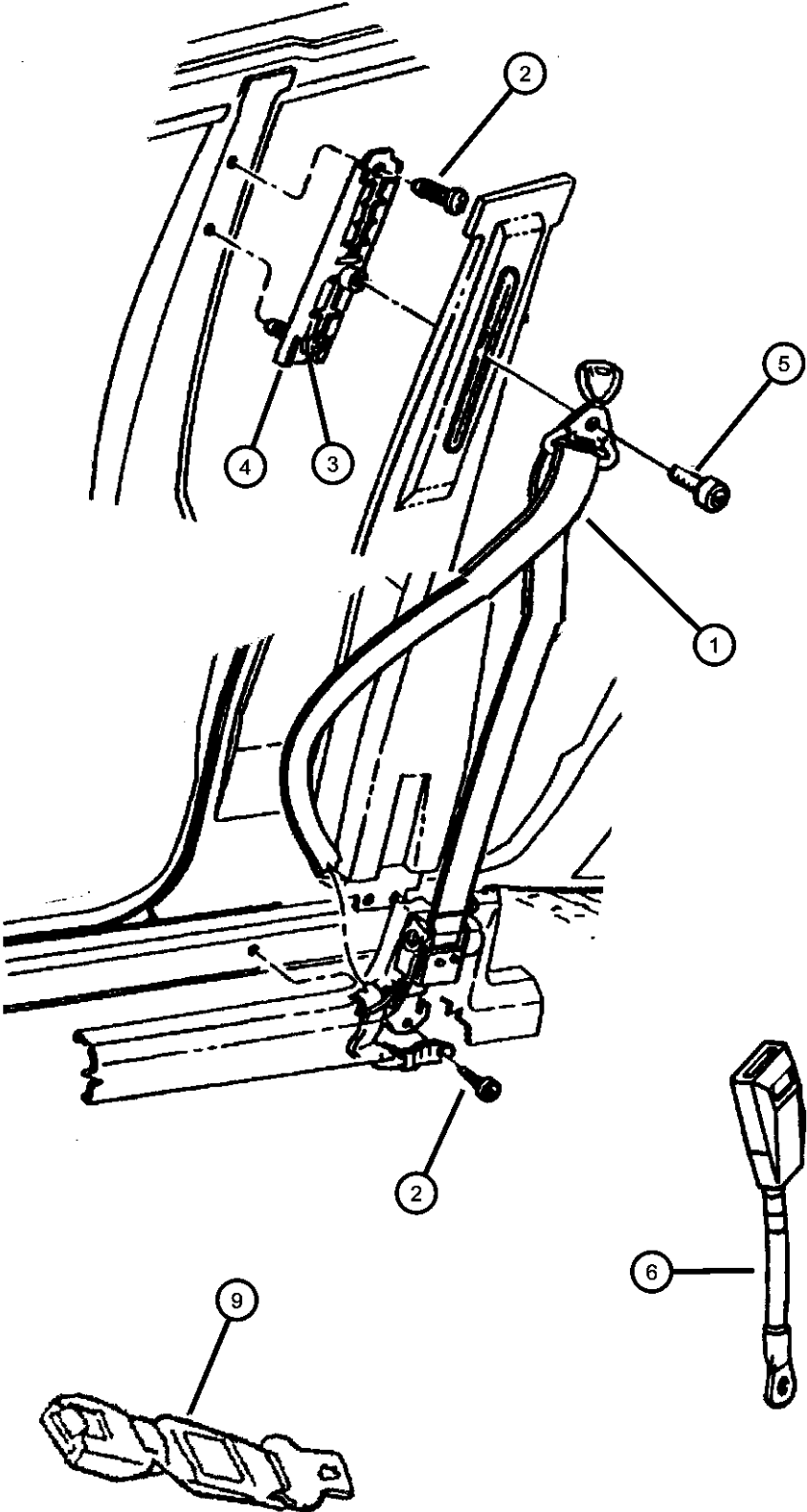
TRANSMISSION

DCB = Transmission - 4-Speed Manual, T3340
DDQ = 5-Speed Manual Transmission
DDX = 5-Speed HD Manual Transmission
DGD = 3-Spd. Automatic 30RH Transmission
DGK = 4-Spd. Automatic 42RE Transmission
DGS = 4-Speed Automatic AW4 Transmission
DGT = 4-Spd. Automatic 46RE Transmission
DGW = TRANSMISSION - 4-SPD. AUTOMATIC, 44RE
DGX = 4-Speed Automatic Transmission
DGY = No Description Available
DGZ = Transmission- 4-Spd. Automatic, MT643
DBB = ALL MANUAL TRANSMISSIONS
DGO = TRANSMISSIONS - ALL AUTOMATIC



Seat Belts, Front Seat
Figure IXJ-720

ITEM	PART NUMBER	QTY	LINE	SERIES	BODY	ENGINE	TRANS	TRIM	DESCRIPTION
	06035115	2	B, U		74			*B6	
		2	B, U		74			*M5	
		2	J, T		74			*X5	
		2	B, U		74			*XJ	
		2	B, U		74			*DL	
		2	J, T		74			*M5	
		2	J, T		74			*XJ	
		2	J, T		74			*DL	
		2	J, T		74			*B6	
9	04740415	1							EXTENDER, Seat Belt



CHEROKEE (XJ)

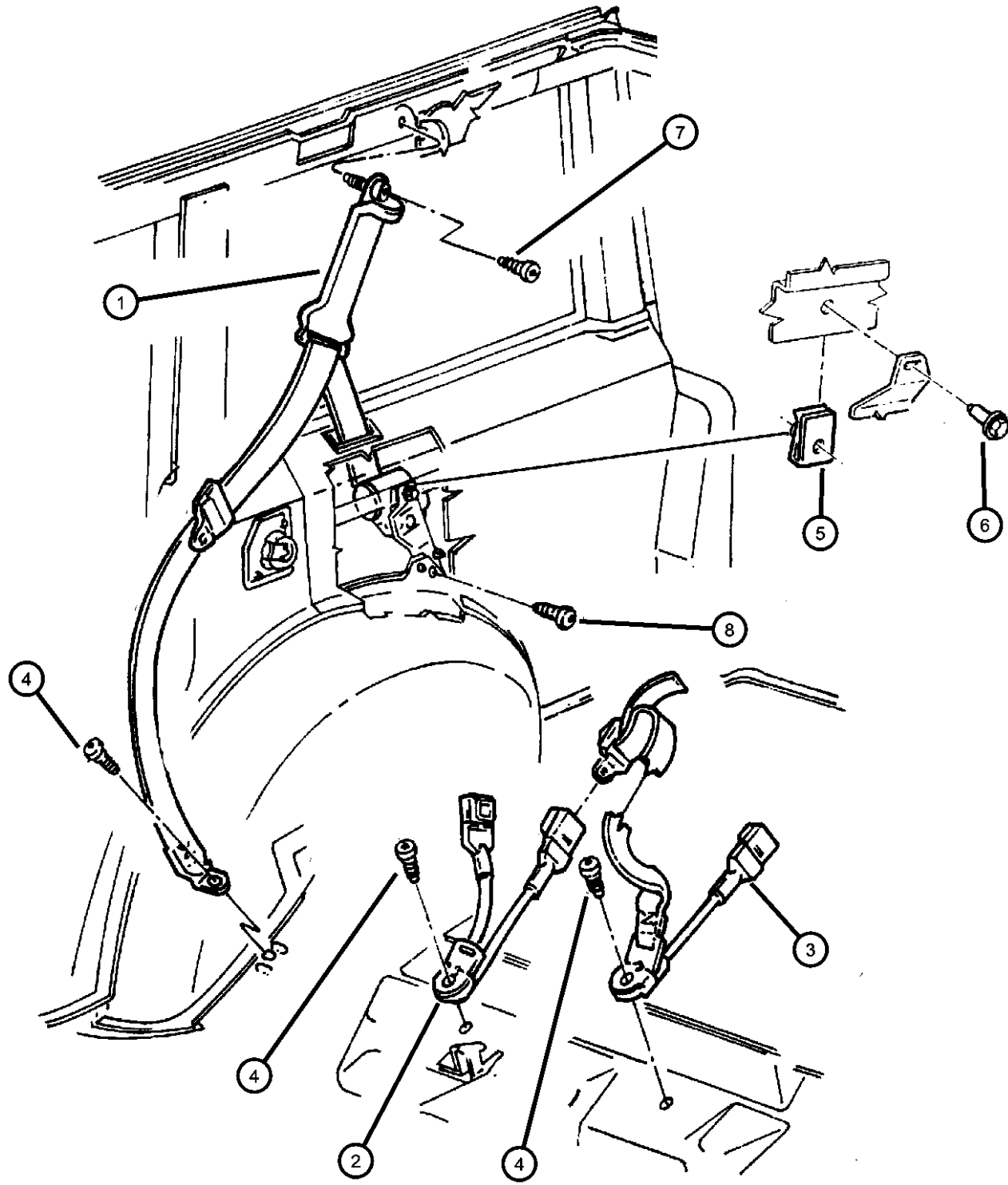
SERIES LINE
 L = LOWLINE B = JEEP - 2WD (RHD)
 U = JEEP - 4WD (RHD)
 T = LHD - (2WD)
 J = JEEP - - LHD (4WD)

BODY
 72 = 2DR (101.4 WB)
 74 = 4 DR (101.4 WB)

ENGINE TRANSMISSION
 ENC = 2.5L 4 Cyl Turbo Diesel Engine
 EPE = Engine - 2.5L Power Tech I-4 Cyl.
 ERH = 4.0L Power Tech I-6 Engine
 ENO = Engines - ALL 4/5 CYL Turbo Diesel
 ERO = Engines - All 4.0L 6 Cyl Gas
 EPO = ENGINES - ALL 2.5L 4 CYL GAS
 DCB = Transmission - 4-Speed Manual,T3340
 DDQ = 5-Speed Manual Transmission
 DDG = 5-Speed HD Manual Transmission
 DGD = 3-Spd. Automatic 30RH Transmission
 DGK = 4-Spd. Automatic 42RE Transmission
 DGS = 4-Speed Automatic AW4 Transmission
 DGT = 4-Spd. Automatic 46RE Transmission
 DGW = TRANSMISSION - 4-SPD. AUTOMATIC,44RE
 DGX = 4-Speed Automatic Transmission
 DGY = No Description Available
 DGZ = Transmission- 4-Spd. Automatic,MT643
 DBB = ALL MANUAL TRANSMISSIONS
 DGO = TRANSMISSIONS - ALL AUTOMATIC

AR = use ase required - = Non illustrated part

Seat Belts, Rear Seats
Figure IXJ-730

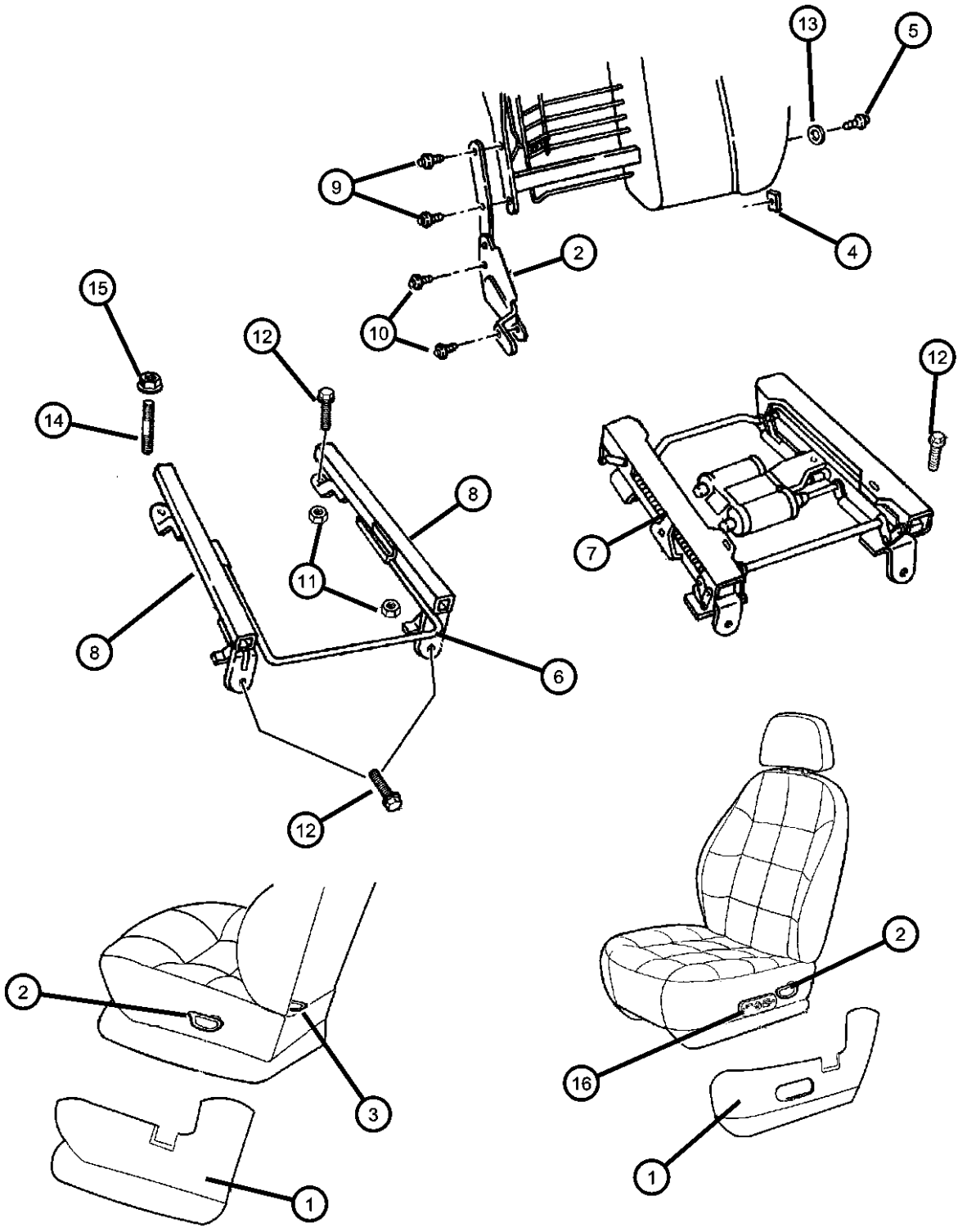


ITEM	PART NUMBER	QTY	LINE	SERIES	BODY	ENGINE	TRANS	TRIM	DESCRIPTION
1	55217146AC	1							SEAT BELT, Outer
	55217147AC	1							EUROPE, Right
	55217147AC	1							EUROPE, Left
	5FG521C3AC	1						*O0	Mist Gray, Right
	5FG521T6AC	1						*O0	Saddle, Right
	5FG531C3AC	1						*O0	Mist Gray, Left
5FG531T6AC	1						*O0	Saddle, Left	
2	5FG50SX9	1						*O0	SEAT BELT, Two Buckles
	5FG50LAZAB	1						*O0	Europe, Right
3	5FG51LAZAB	1						*O0	SEAT BELT, Buckle And Tip
	5FT53SX9	1						*O0	Domestic
4	06034383	4							SCREW, Pan Head, .437-20x1.5
5	06504118	2							U-NUT, M6 x 1.00, M6x1.00
6	34201807	2							BOLT, Hex Flange Head, M6x1.00x16
7	34201807	2							SCREW, Pan Head Shoulder, .437-20x1.87, (NOT REQUIRED)
8	06034384	2							SCREW, Pan Head, .437-20x1.15
-9	05003422AB	1							TETHER PACKAGE, Child Seat

CHEROKEE (XJ)				
SERIES	LINE	BODY	ENGINE	TRANSMISSION
L = LOWLINE	B = JEEP - 2WD (RHD) U = JEEP - 4WD (RHD) T = LHD - (2WD) J = JEEP - - LHD (4WD)	72 = 2DR (101.4 WB) 74 = 4 DR (101.4 WB)	ENC = 2.5L 4 Cyl Turbo Diesel Engine EPE = Engine - 2.5L Power Tech I-4 Cyl. ERH = 4.0L Power Tech I-6 Engine ENO = Engines - ALL 4/5 CYL Turbo Diesel ERO = Engines - All 4.0L 6 Cyl Gas EPO = ENGINES - ALL 2.5L 4 CYL GAS	DCB = Transmission - 4-Speed Manual,T3340 DDQ = 5-Speed Manual Transmission DDX = 5-Speed HD Manual Transmission DGD = 3-Spd. Automatic 30RH Transmission DGK = 4-Spd. Automatic 42RE Transmission DGS = 4-Speed Automatic AW4 Transmission DGT = 4-Spd. Automatic 46RE Transmission DGW = TRANSMISSION - 4-SPD. AUTOMATIC,44RE DGX = 4-Speed Automatic Transmission DGY = No Description Available DGZ = Transmission- 4-Spd. Automatic,MT643 DBB = ALL MANUAL TRANSMISSIONS DGO = TRANSMISSIONS - ALL AUTOMATIC

AR = use ase required - = Non illustrated part

**Recliner and Adjuster
Figure IXJ-810**

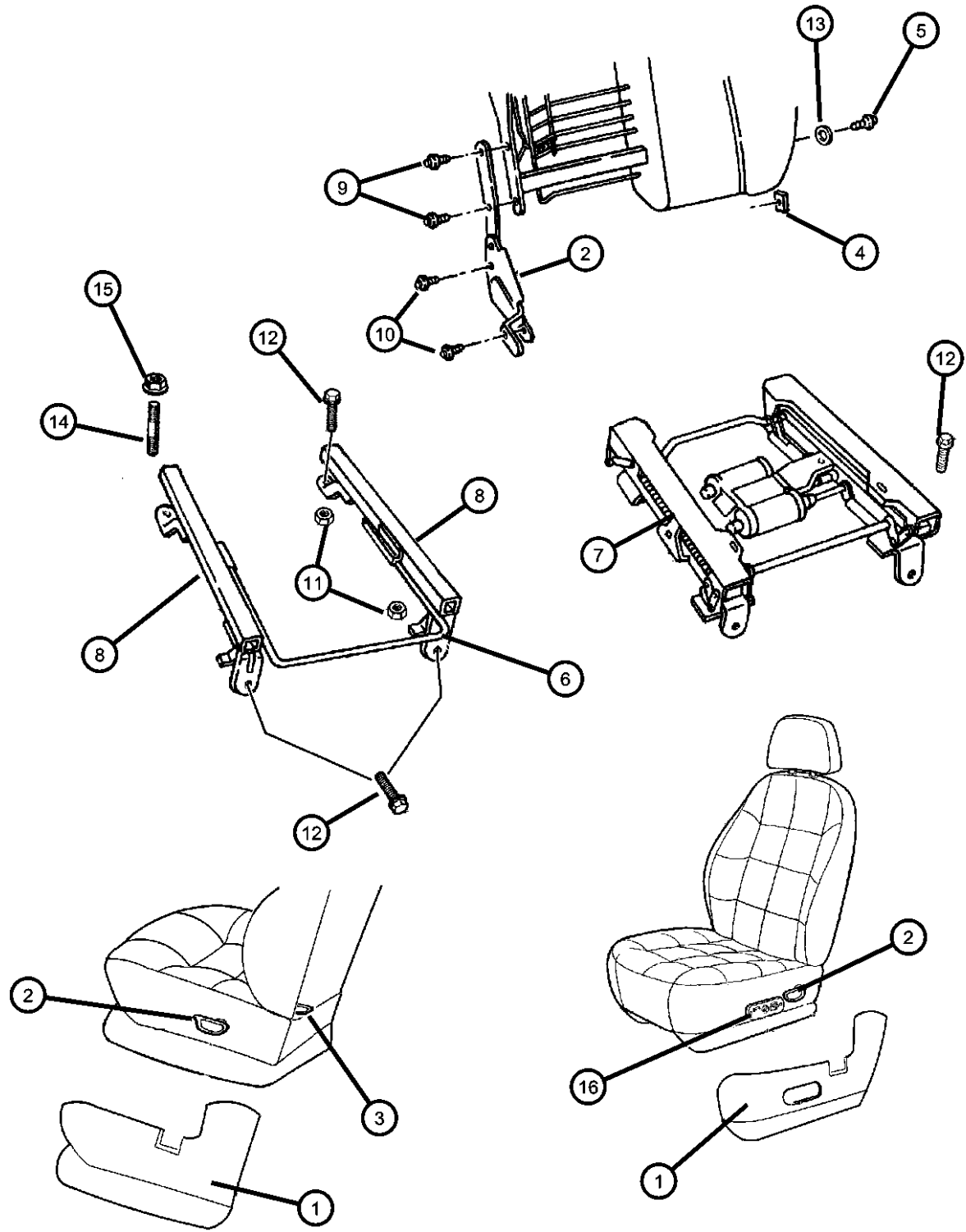


ITEM	PART NUMBER	QTY	LINE	SERIES	BODY	ENGINE	TRANS	TRIM	DESCRIPTION
1									SHIELD, Seat Cushion
	0RA701C3AA	1	J, T		74			*DL	Mist Gray, With Power, Right
		1	J, T		72			*XJ	Mist Gray, With Power, Right
		1	J, T		74			*XJ	Mist Gray, With Power, Right
		1	B, U		74			*XJ	Mist Gray, With Power, Right
		1	B, U		74			*DL	Mist Gray, With Power, Right
	0RA701T6AA	1	J, T		74			*DL	Saddle, With Power, Right
		1	J, T		72			*XJ	Saddle, With Power, Right
		1	J, T		74			*XJ	Saddle, With Power, Right
		1	B, U		74			*XJ	Saddle, With Power, Right
		1	B, U		74			*DL	Saddle, With Power, Right
	0RA711C3AA	1	J, T		72			*XJ	Mist Gray, With Power, Left
		1	J, T		74			*XJ	Mist Gray, With Power, Left
		1	B, U		74			*XJ	Mist Gray, With Power, Left
		1	B, U		74			*DL	Mist Gray, With Power, Left
		1	J, T		74			*DL	Mist Gray, With Power, Left
		1	J, T		72			*M5	Mist Gray, With Power, Left
		1	J, T		74			*M5	Mist Gray, With Power, Left
	0RA711T6AA	1	J, T		72			*XJ	Saddle, With Power, Left
		1	J, T		74			*XJ	Saddle, With Power, Left
		1	B, U		74			*XJ	Saddle, With Power, Left
		1	B, U		74			*DL	Saddle, With Power, Left
		1	J, T		74			*DL	Saddle, With Power, Left

CHEROKEE (XJ)				
SERIES	LINE	BODY	ENGINE	TRANSMISSION
L = LOWLINE	B = JEEP - 2WD (RHD) U = JEEP - 4WD (RHD) T = LHD - (2WD) J = JEEP - - LHD (4WD)	72 = 2DR (101.4 WB) 74 = 4 DR (101.4 WB)	ENC = 2.5L 4 Cyl Turbo Diesel Engine EPE = Engine - 2.5L Power Tech I-4 Cyl. ERH = 4.0L Power Tech I-6 Engine ENO = Engines - ALL 4/5 CYL Turbo Diesel ERO = Engines - All 4.0L 6 Cyl Gas EPO = ENGINES - ALL 2.5L 4 CYL GAS	DCB = Transmission - 4-Speed Manual, T3340 DDQ = 5-Speed Manual Transmission DDX = 5-Speed HD Manual Transmission DGD = 3-Spd. Automatic 30RH Transmission DGK = 4-Spd. Automatic 42RE Transmission DGS = 4-Speed Automatic AW4 Transmission DGT = 4-Spd. Automatic 46RE Transmission DGW = TRANSMISSION - 4-SPD. AUTOMATIC, 44RE DGX = 4-Speed Automatic Transmission DGY = No Description Available DGZ = Transmission- 4-Spd. Automatic, MT643 DBB = ALL MANUAL TRANSMISSIONS DGO = TRANSMISSIONS - ALL AUTOMATIC

AR = use ase required - = Non illustrated part

**Recliner and Adjuster
Figure IXJ-810**



ITEM	PART NUMBER	QTY	LINE	SERIES	BODY	ENGINE	TRANS	TRIM	DESCRIPTION
		1	J, T		72			*M5	Saddle, With Power, Left
		1	J, T		74			*M5	Saddle, With Power, Left
	0RA721C3AA	1	J, T, U		72			*B6	Mist Gray, Manual, Right
		1	J, T		74			*B6	Mist Gray, Manual, Right
		1	J, T		72			*M5	Mist Gray, Manual, Right
		1	J, T		74			*M5	Mist Gray, Manual, Right
		1	J, T		74			*XJ	Mist Gray, Manual, Right
		1	J, T		72			*XJ	Mist Gray, Manual, Right
		1	B, U		74			*XJ	Mist Gray, Manual, Right
		1	J, T		74			*X5	Mist Gray, Manual, Right
		1	B, U		74			*M5	Mist Gray, Manual, Right
	0RA721T6AA	1	J, T, U		72			*B6	Mist Gray, Manual, Right
		1	J, T		74			*B6	Saddle, Manual, Right
		1	J, T		72			*M5	Saddle, Manual, Right
		1	J, T		74			*M5	Saddle, Manual, Right
		1	J, T		74			*XJ	Saddle, Manual, Right
		1	J, T		72			*XJ	Saddle, Manual, Right
		1	B, U		74			*XJ	Saddle, Manual, Right
		1	J, T		74			*X5	Saddle, Manual, Right
		1	B, U		74			*M5	Saddle, Manual, Right
		1	B, U		74			*B6	Saddle, Manual, Right

CHEROKEE (XJ)

SERIES

L = LOWLINE
 B = JEEP - 2WD (RHD)
 U = JEEP - 4WD (RHD)
 T = LHD - (2WD)
 J = JEEP - - LHD (4WD)

LINE

BODY

72 = 2DR (101.4 WB)
 74 = 4 DR (101.4 WB)

ENGINE

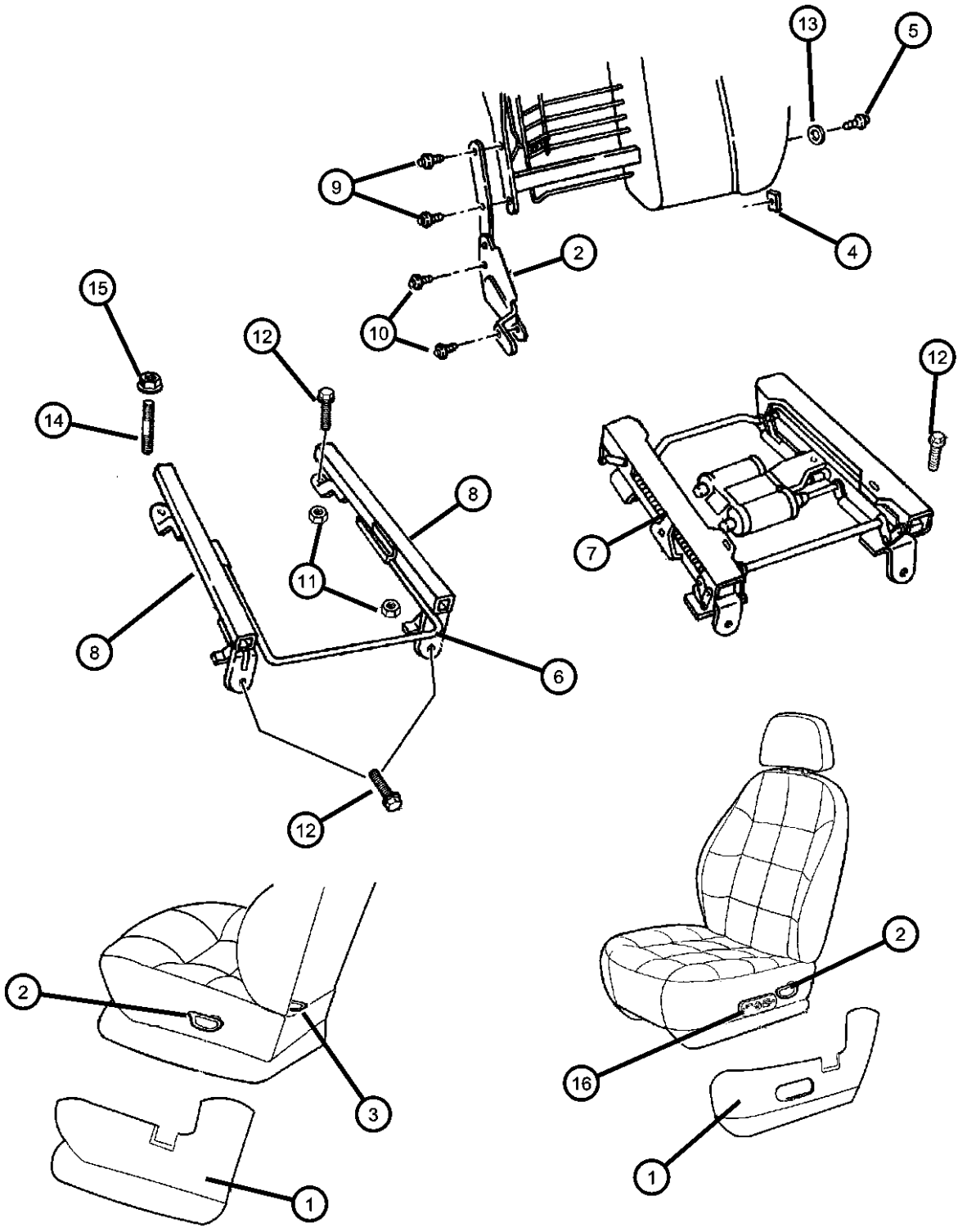
ENC = 2.5L 4 Cyl Turbo Diesel Engine
 EPE = Engine - 2.5L Power Tech I-4 Cyl.
 ERH = 4.0L Power Tech I-6 Engine
 ENO = Engines - ALL 4/5 CYL Turbo Diesel
 ERO = Engines - All 4.0L 6 Cyl Gas
 EPO = ENGINES - ALL 2.5L 4 CYL GAS

TRANSMISSION

DCB = Transmission - 4-Speed Manual, T3340
 DDQ = 5-Speed Manual Transmission
 DDG = 5-Speed HD Manual Transmission
 DGD = 3-Spd. Automatic 30RH Transmission
 DGK = 4-Spd. Automatic 42RE Transmission
 DGS = 4-Speed Automatic AW4 Transmission
 DGT = 4-Spd. Automatic 46RE Transmission
 DGW = TRANSMISSION - 4-SPD. AUTOMATIC, 44RE
 DGX = 4-Speed Automatic Transmission
 DGY = No Description Available
 DGZ = Transmission- 4-Spd. Automatic, MT643
 DBB = ALL MANUAL TRANSMISSIONS
 DGO = TRANSMISSIONS - ALL AUTOMATIC

AR = use ase required - = Non illustrated part

**Recliner and Adjuster
Figure IXJ-810**

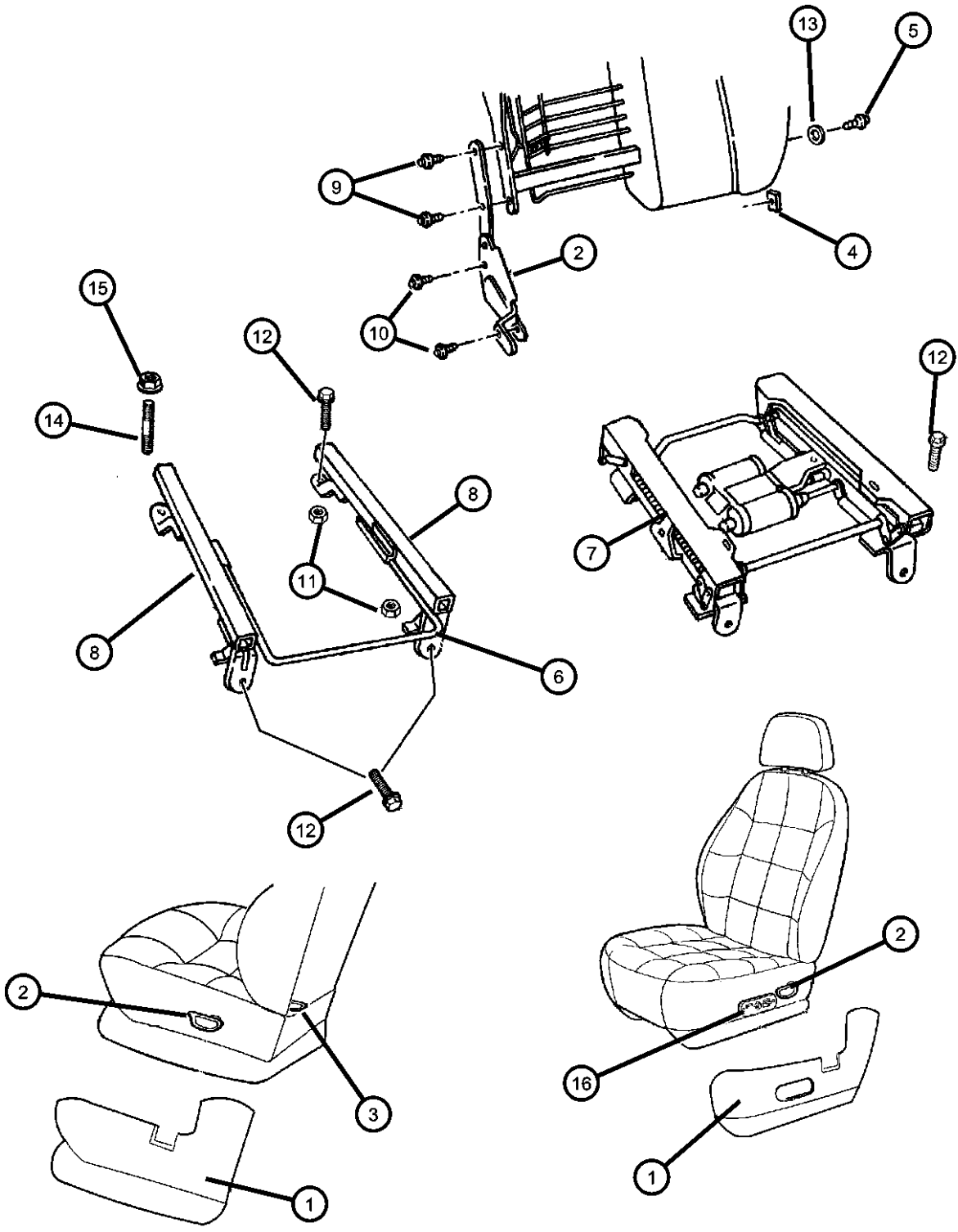


ITEM	PART NUMBER	QTY	LINE	SERIES	BODY	ENGINE	TRANS	TRIM	DESCRIPTION
	0RA731C3AA	1	J, T, U		72			*B6	Mist Gray, Manual, Left
		1	J, T		74			*B6	Mist Gray, Manual, Left
		1	J, T		72			*M5	Mist Gray, Manual, Left
		1	J, T		74			*M5	Mist Gray, Manual, Left
		1	J, T		74			*XJ	Mist Gray, Manual, Left
		1	J, T		72			*XJ	Mist Gray, Manual, Left
		1	B, U		74			*XJ	Mist Gray, Manual, Left
		1	J, T		74			*X5	Mist Gray, Manual, Left
		1	B, U		74			*M5	Mist Gray, Manual, Left
		1	B, U		74			*B6	Mist Gray, Manual, Left
	0RA731T6AA	1	J, T, U		72			*B6	Saddle, Manual, Left
		1	J, T		74			*B6	Saddle, Manual, Left
		1	J, T		72			*M5	Saddle, Manual, Left
		1	J, T		74			*M5	Saddle, Manual, Left
		1	J, T		74			*XJ	Saddle, Manual, Left
		1	J, T		72			*XJ	Saddle, Manual, Left
		1	B, U		74			*XJ	Saddle, Manual, Left
		1	J, T		74			*X5	Saddle, Manual, Left
		1	B, U		74			*M5	Saddle, Manual, Left
		1	B, U		74			*B6	Saddle, Manual, Left
2									RECLINER, Seat Back
	04796712	1	J, T, U		72			*B6	Right

CHEROKEE (XJ)				
SERIES	LINE	BODY	ENGINE	TRANSMISSION
L = LOWLINE	B = JEEP - 2WD (RHD) U = JEEP - 4WD (RHD) T = LHD - (2WD) J = JEEP - - LHD (4WD)	72 = 2DR (101.4 WB) 74 = 4 DR (101.4 WB)	ENC = 2.5L 4 Cyl Turbo Diesel Engine EPE = Engine - 2.5L Power Tech I-4 Cyl. ERH = 4.0L Power Tech I-6 Engine ENO = Engines - ALL 4/5 CYL Turbo Diesel ERO = Engines - All 4.0L 6 Cyl Gas EPO = ENGINES - ALL 2.5L 4 CYL GAS	DCB = Transmission - 4-Speed Manual,T3340 DDQ = 5-Speed Manual Transmission DDX = 5-Speed HD Manual Transmission DGD = 3-Spd. Automatic 30RH Transmission DGK = 4-Spd. Automatic 42RE Transmission DGS = 4-Speed Automatic AW4 Transmission DGT = 4-Spd. Automatic 46RE Transmission DGW = TRANSMISSION - 4-SPD. AUTOMATIC,44RE DGX = 4-Speed Automatic Transmission DGY = No Description Available DGZ = Transmission- 4-Spd. Automatic,MT643 DBB = ALL MANUAL TRANSMISSIONS DGO = TRANSMISSIONS - ALL AUTOMATIC

AR = use ase required - = Non illustrated part

**Recliner and Adjuster
Figure IXJ-810**

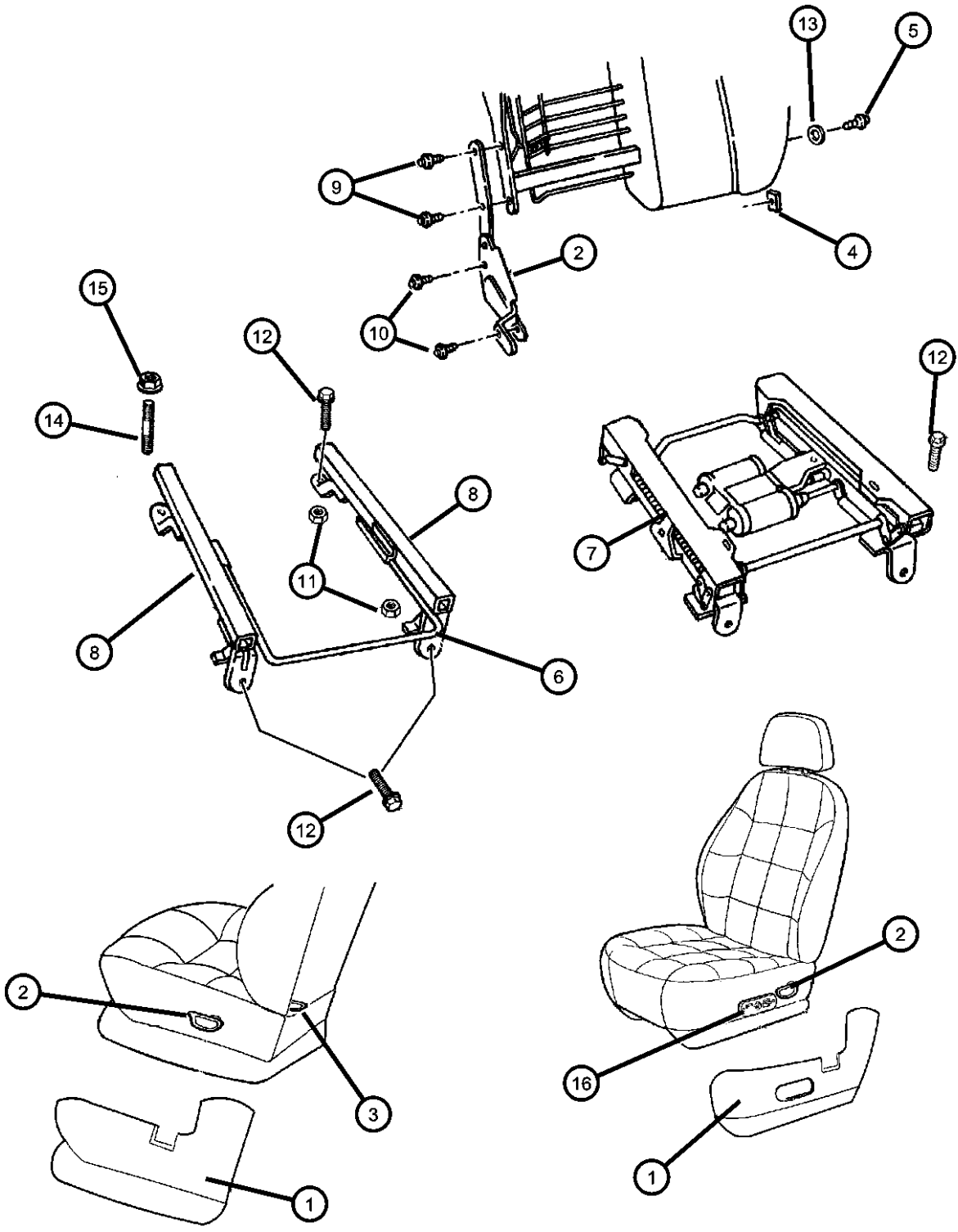


ITEM	PART NUMBER	QTY	LINE	SERIES	BODY	ENGINE	TRANS	TRIM	DESCRIPTION
		1	J, T		72			*M5	Right
		1	J, T		72			*XJ	Right
	04796713	1	J, T, U		72			*B6	Left
		1	J, T		72			*M5	Left
		1	J, T		72			*XJ	Left
	04796714	1	J, T		74			*B6	Includes Handle, Right
		1	J, T		74			*DL	Includes Handle, Right
		1	J, T		74			*M5	Includes Handle, Right
		1	J, T		74			*XJ	Includes Handle, Right
		1	B, U		74			*XJ	Includes Handle, Right
		1	B, U		74			*DL	Includes Handle, Right
		1	J, T		74			*X5	Includes Handle, Right
		1	B, U		74			*M5	Includes Handle, Right
		1	B, U		74			*B6	Includes Handle, Right
	04796715	1	J, T		74			*B6	Includes Handle, Left
		1	J, T		74			*DL	Includes Handle, Left
		1	J, T		74			*M5	Includes Handle, Left
		1	J, T		74			*XJ	Includes Handle, Left
		1	B, U		74			*XJ	Includes Handle, Left
		1	B, U		74			*DL	Includes Handle, Left
		1	J, T		74			*X5	Includes Handle, Left
		1	B, U		74			*M5	Includes Handle, Left

CHEROKEE (XJ)
 SERIES LINE BODY ENGINE TRANSMISSION
 L = LOWLINE B = JEEP - 2WD (RHD) 72 = 2DR (101.4 WB) ENC = 2.5L 4 Cyl Turbo Diesel DCB = Transmission - 4-Speed Manual, T3340
 U = JEEP - 4WD (RHD) 74 = 4 DR (101.4 WB) EPE = Engine - 2.5L Power Tech I-4 Cyl. DDQ = 5-Speed Manual Transmission
 T = LHD - (2WD) ERH = 4.0L Power Tech I-6 Engine DDX = 5-Speed HD Manual Transmission
 J = JEEP - - LHD (4WD) ENO = Engines - ALL 4/5 CYL Turbo Diesel DGD = 3-Spd. Automatic 30RH Transmission
 ERO = Engines - All 4.0L 6 Cyl Gas DGK = 4-Spd. Automatic 42RE Transmission
 EPO = ENGINES - ALL 2.5L 4 CYL GAS DGS = 4-Speed Automatic AW4 Transmission
 DGT = 4-Spd. Automatic 46RE Transmission
 DGW = TRANSMISSION - 4-SPD. AUTOMATIC, 44RE
 DGX = 4-Speed Automatic Transmission
 DGY = No Description Available
 DGZ = Transmission- 4-Spd. Automatic, MT643
 DBB = ALL MANUAL TRANSMISSIONS
 DG0 = TRANSMISSIONS - ALL AUTOMATIC

AR = use ase required - = Non illustrated part

**Recliner and Adjuster
Figure IXJ-810**

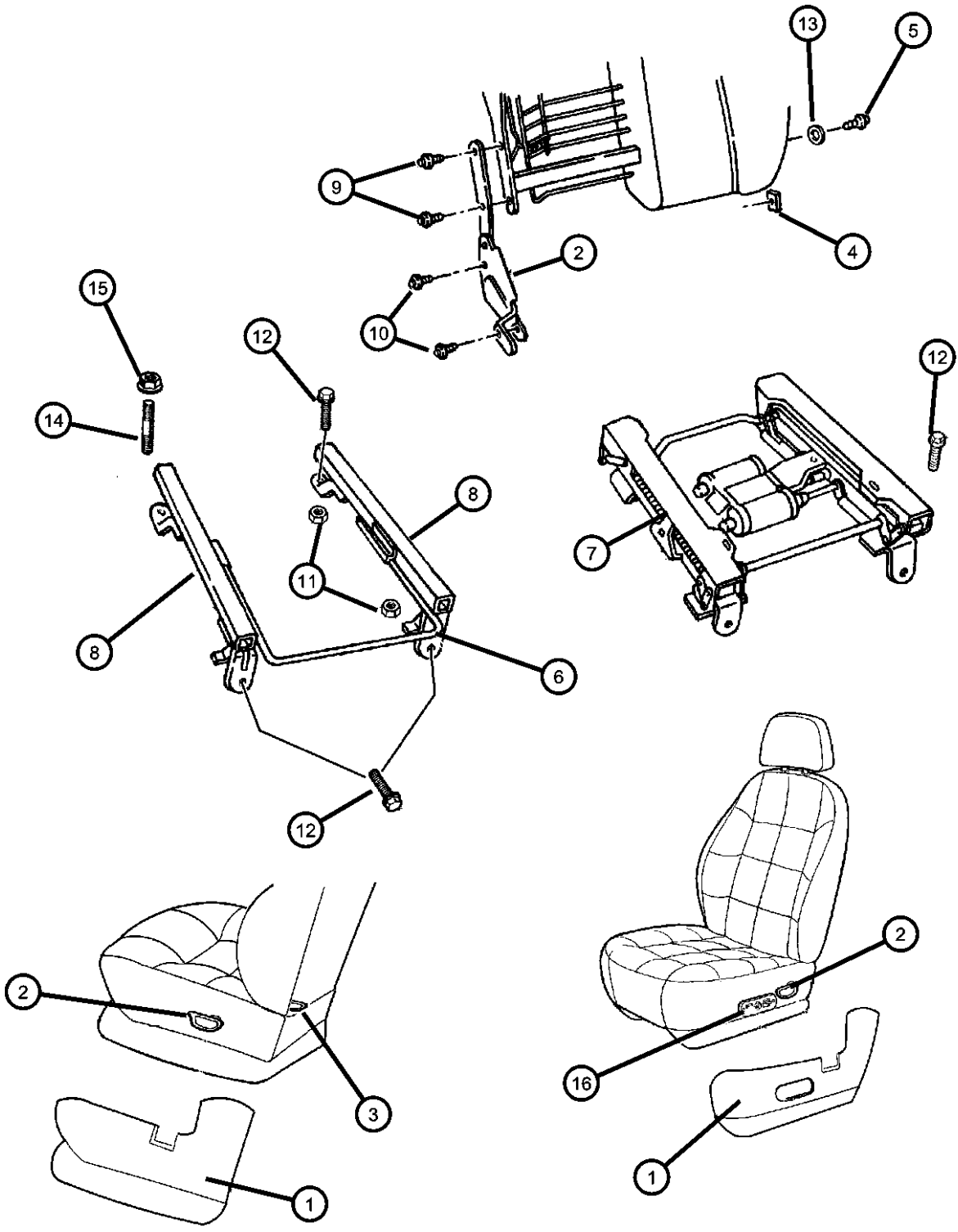


ITEM	PART NUMBER	QTY	LINE	SERIES	BODY	ENGINE	TRANS	TRIM	DESCRIPTION
3		1	B, U		74			*B6	Left KNOB, Seat Recliner
	04796720	2	J, T, U		72			*B6	
		2	J, T		72			*M5	
		2	J, T		72			*XJ	
4		2	J, T		74				U-NUT, Seat Back
	04713982	2	J, T		74			*B6	
		2	J, T		74			*DL	
		2	J, T		72			*M5	
		2	J, T		74			*M5	
		2	J, T		74			*XJ	
		2	J, T		72			*XJ	
		2	B, U		74			*XJ	
		2	J, T		74			*X5	
		2	B, U		74			*M5	
		2	B, U		74			*B6	
		2	B, U		74			*DL	
		2	J, T, U		72			*B6	
5		2	J, T		74				BOLT, Shoulder, I.B.-Back To Cushion-Pivot
	04797554	2	J, T		74			*B6	
		2	J, T		74			*DL	
		2	J, T		72			*M5	

CHEROKEE (XJ)
 SERIES LINE BODY ENGINE TRANSMISSION
 L = LOWLINE B = JEEP - 2WD (RHD) 72 = 2DR (101.4 WB) ENC = 2.5L 4 Cyl Turbo Diesel DCB = Transmission - 4-Speed Manual,T3340
 U = JEEP - 4WD (RHD) 74 = 4 DR (101.4 WB) EPE = Engine - 2.5L Power Tech I-4 Cyl. DDQ = 5-Speed Manual Transmission
 T = LHD - (2WD) ERH = 4.0L Power Tech I-6 Engine DDG = 5-Speed HD Manual Transmission
 J = JEEP - - LHD (4WD) ENO = Engines - ALL 4/5 CYL Turbo Diesel DGD = 3-Spd. Automatic 30RH Transmission
 ERO = Engines - All 4.0L 6 Cyl Gas DGK = 4-Spd. Automatic 42RE Transmission
 EPO = ENGINES - ALL 2.5L 4 CYL GAS DGS = 4-Speed Automatic AW4 Transmission
 DGT = 4-Spd. Automatic 46RE Transmission
 DGW = TRANSMISSION - 4-SPD. AUTOMATIC,44RE
 DGX = 4-Speed Automatic Transmission
 DGY = No Description Available
 DGZ = Transmission- 4-Spd. Automatic,MT643
 DBB = ALL MANUAL TRANSMISSIONS
 DGO = TRANSMISSIONS - ALL AUTOMATIC

AR = use ase required - = Non illustrated part

**Recliner and Adjuster
Figure IXJ-810**

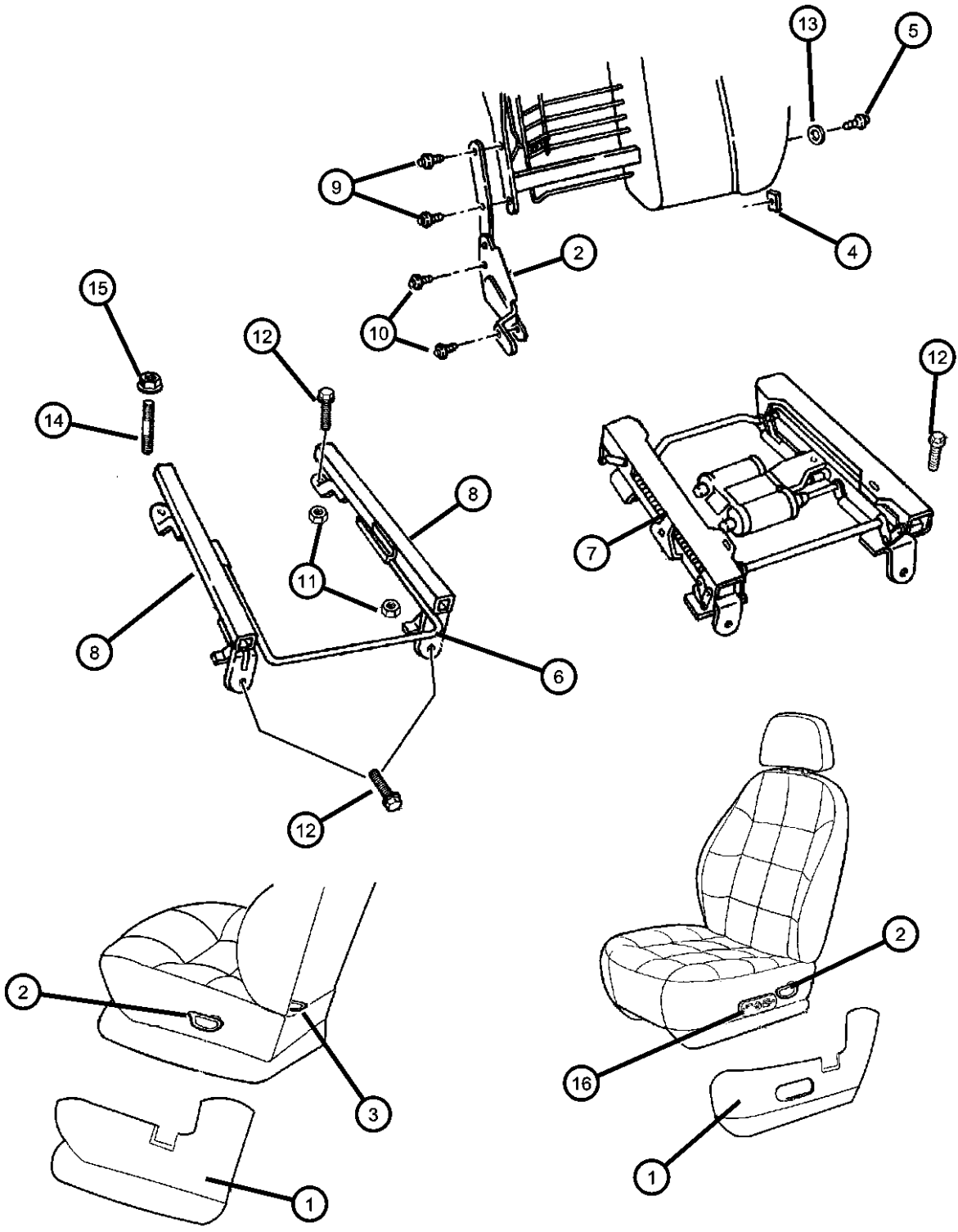


ITEM	PART NUMBER	QTY	LINE	SERIES	BODY	ENGINE	TRANS	TRIM	DESCRIPTION
		2	J, T		74			*M5	
		2	J, T		74			*XJ	
		2	J, T		72			*XJ	
		2	J, T		74			*X5	
		2	B, U		74			*M5	
		2	B, U		74			*B6	
		2	B, U		74			*XJ	
		2	B, U		74			*DL	
		2	J, T, U		72			*B6	
6									HANDLE, Seat Release
	04796780	2	J, T, U		72			*B6	
		2	J, T		74			*B6	
		1	J, T		74			*DL	
		2	J, T		72			*M5	
		2	J, T		74			*M5	
		1	J, T		74			*XJ	
		2	B, U		74			*XJ	
		2	J, T		74			*X5	
		2	B, U		74			*M5	
		2	B, U		74			*B6	
7									ADJUSTER, Power Seat, Includes Motor
	04886375AA	1	J, T		74			*DL	Right

CHEROKEE (XJ)				
SERIES	LINE	BODY	ENGINE	TRANSMISSION
L = LOWLINE	B = JEEP - 2WD (RHD) U = JEEP - 4WD (RHD) T = LHD - (2WD) J = JEEP - - LHD (4WD)	72 = 2DR (101.4 WB) 74 = 4 DR (101.4 WB)	ENC = 2.5L 4 Cyl Turbo Diesel Engine EPE = Engine - 2.5L Power Tech I-4 Cyl. ERH = 4.0L Power Tech I-6 Engine ENO = Engines - ALL 4/5 CYL Turbo Diesel ERO = Engines - All 4.0L 6 Cyl Gas EPO = ENGINES - ALL 2.5L 4 CYL GAS	DCB = Transmission - 4-Speed Manual,T3340 DDQ = 5-Speed Manual Transmission DDX = 5-Speed HD Manual Transmission DGD = 3-Spd. Automatic 30RH Transmission DGK = 4-Spd. Automatic 42RE Transmission DGS = 4-Speed Automatic AW4 Transmission DGT = 4-Spd. Automatic 46RE Transmission DGW = TRANSMISSION - 4-SPD. AUTOMATIC,44RE DGX = 4-Speed Automatic Transmission DGY = No Description Available DGZ = Transmission- 4-Spd. Automatic,MT643 DBB = ALL MANUAL TRANSMISSIONS DGO = TRANSMISSIONS - ALL AUTOMATIC

AR = use ase required - = Non illustrated part

**Recliner and Adjuster
Figure IXJ-810**

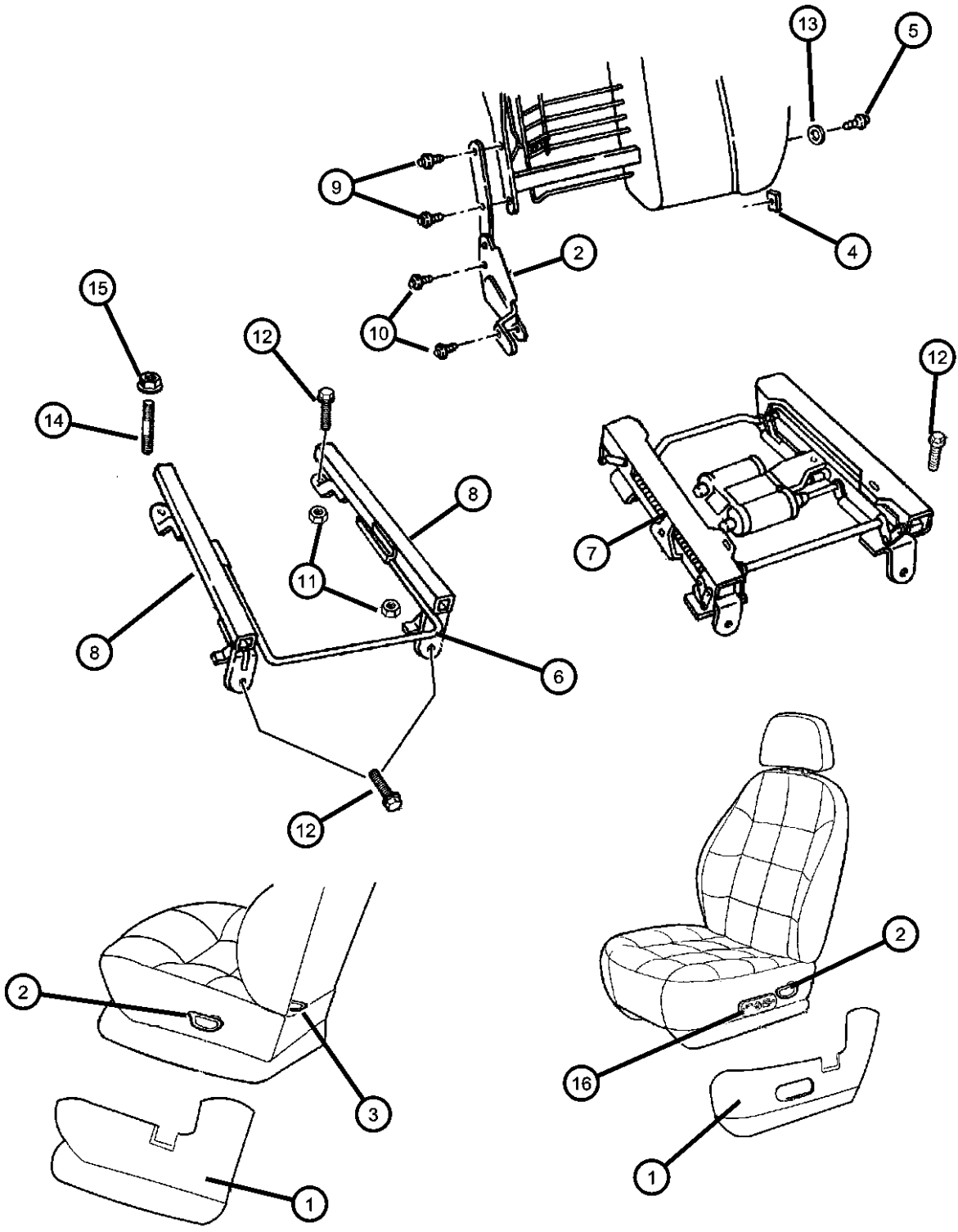


ITEM	PART NUMBER	QTY	LINE	SERIES	BODY	ENGINE	TRANS	TRIM	DESCRIPTION
		1	J, T		72			*XJ	Right
		1	J, T		74			*XJ	Right
		1	B, U		74			*XJ	Right
		1	B, U		74			*DL	Right
	04886376AA	1	J, T		74			*DL	Left
		1	J, T		74			*XJ	Left
		1	J, T		72			*XJ	Left
		1	J, T		72			*M5	Left
		1	J, T		74			*M5	Left
		1	B, U		74			*XJ	Left
		1	B, U		74			*DL	Left
8									ADJUSTER, Manual Seat
	04796774	1	J, T, U		72			*B6	Driver Outboard
		1	J, T		74			*B6	Driver Outboard
		1	J, T		72			*M5	Driver Outboard
		1	J, T		74			*M5	Driver Outboard
		1	J, T		74			*XJ	Driver Outboard
		1	J, T		72			*XJ	Driver Outboard
		1	B, U		74			*XJ	Driver Outboard
		1	J, T		74			*X5	Driver Outboard
		1	B, U		74			*M5	Driver Outboard
		1	B, U		74			*B6	Driver Outboard

CHEROKEE (XJ)
 SERIES LINE BODY ENGINE TRANSMISSION
 L = LOWLINE B = JEEP - 2WD (RHD) 72 = 2DR (101.4 WB) ENC = 2.5L 4 Cyl Turbo Diesel DCB = Transmission - 4-Speed Manual,T3340
 U = JEEP - 4WD (RHD) 74 = 4 DR (101.4 WB) EPE = Engine - 2.5L Power Tech I-4 Cyl. DDQ = 5-Speed Manual Transmission
 T = LHD - (2WD) ERH = 4.0L Power Tech I-6 Engine DDG = 5-Speed HD Manual Transmission
 J = JEEP - - LHD (4WD) ENO = Engines - ALL 4/5 CYL Turbo Diesel DGD = 3-Spd. Automatic 30RH Transmission
 ERO = Engines - All 4.0L 6 Cyl Gas DGK = 4-Spd. Automatic 42RE Transmission
 EPO = ENGINES - ALL 2.5L 4 CYL GAS DGS = 4-Speed Automatic AW4 Transmission
 DGT = 4-Spd. Automatic 46RE Transmission
 DGW = TRANSMISSION - 4-SPD. AUTOMATIC,44RE
 DGX = 4-Speed Automatic Transmission
 DGY = No Description Available
 DGZ = Transmission- 4-Spd. Automatic,MT643
 DBB = ALL MANUAL TRANSMISSIONS
 DG0 = TRANSMISSIONS - ALL AUTOMATIC

AR = use ase required - = Non illustrated part

**Recliner and Adjuster
Figure IXJ-810**

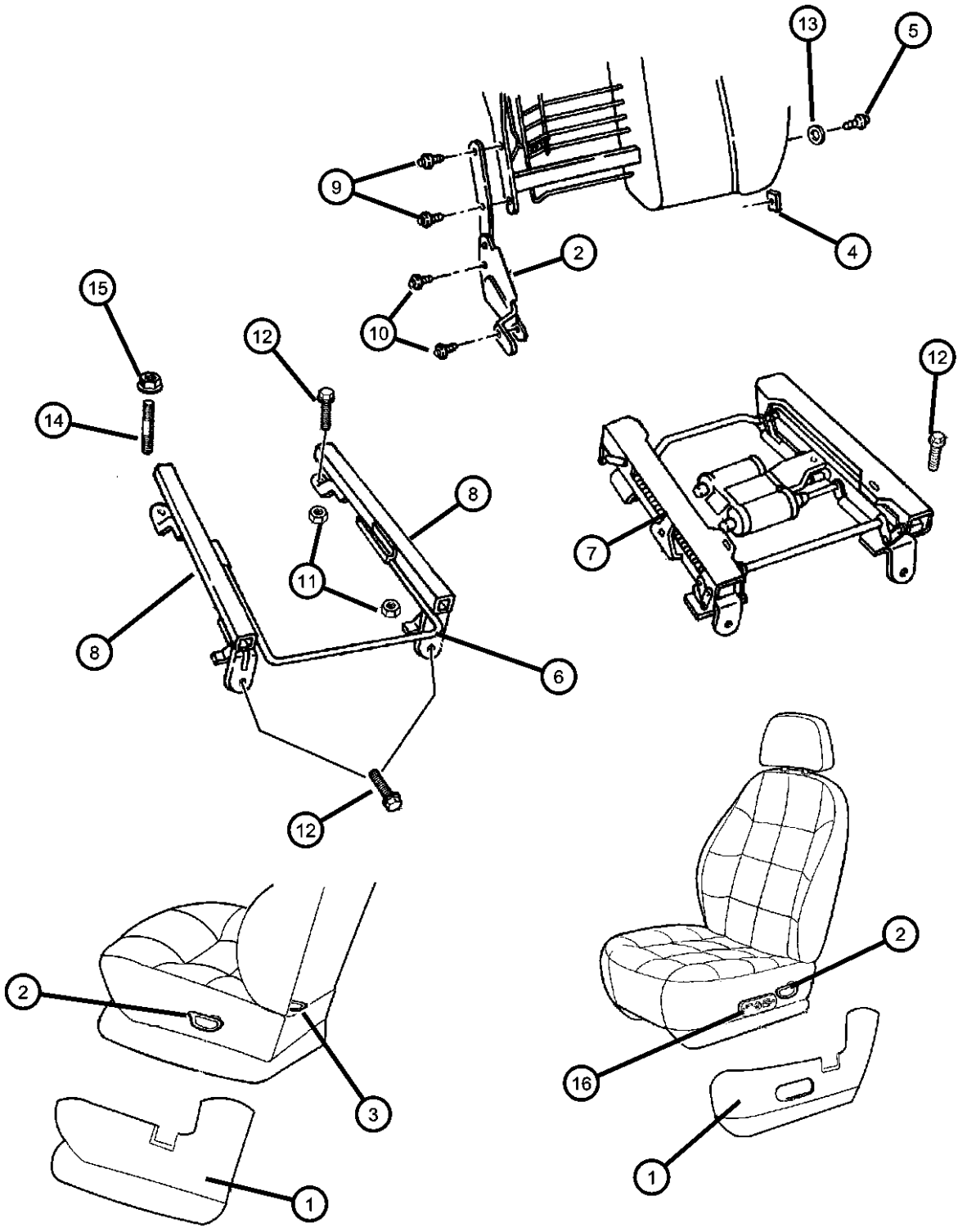


ITEM	PART NUMBER	QTY	LINE	SERIES	BODY	ENGINE	TRANS	TRIM	DESCRIPTION
	04796776	1	J, T, U		72			*B6	Passenger Outboard
		1	J, T		74			*B6	Passenger Outboard
		1	J, T		74			*DL	Passenger Outboard
		1	J, T		72			*M5	Passenger Outboard
		1	J, T		74			*M5	Passenger Outboard
		1	J, T		74			*XJ	Passenger Outboard
		1	J, T		72			*XJ	Passenger Outboard
		1	B, U		74			*XJ	Passenger Outboard
		1	J, T		74			*X5	Passenger Outboard
		1	B, U		74			*M5	Passenger Outboard
	05003811AA	1	J, T		72			*B6	Passenger Inboard
		1	J, T		74			*XJ	Passenger Inboard
		1	B, U		74			*XJ	Passenger Inboard
		1	J, T, U		72			*B6	Passenger Inboard
		1	J, T		74			*B6	Passenger Inboard
		1	J, T		74			*DL	Passenger Inboard
		1	J, T		72			*M5	Passenger Inboard
		1	J, T		74			*M5	Passenger Inboard
		1	J, T		74			*X5	Passenger Inboard
		1	B, U		74			*M5	Passenger Inboard
		1	B, U		74			*B6	Passenger Inboard

CHEROKEE (XJ)
 SERIES LINE BODY ENGINE TRANSMISSION
 L = LOWLINE B = JEEP - 2WD (RHD) 72 = 2DR (101.4 WB) ENC = 2.5L 4 Cyl Turbo Diesel DCB = Transmission - 4-Speed Manual,T3340
 U = JEEP - 4WD (RHD) 74 = 4 DR (101.4 WB) EPE = Engine - 2.5L Power Tech I-4 Cyl. DDQ = 5-Speed Manual Transmission
 T = LHD - (2WD) ERH = 4.0L Power Tech I-6 Engine DDX = 5-Speed HD Manual Transmission
 J = JEEP - - LHD (4WD) Engine DGD = 3-Spd. Automatic 30RH Transmission
 ENO = Engines - ALL 4/5 CYL Turbo Diesel DGK = 4-Spd. Automatic 42RE Transmission
 ERO = Engines - All 4.0L 6 Cyl Gas DGS = 4-Speed Automatic AW4 Transmission
 EPO = ENGINES - ALL 2.5L 4 CYL GAS DGT = 4-Spd. Automatic 46RE Transmission
 DGW = TRANSMISSION - 4-SPD. AUTOMATIC,44RE
 DGX = 4-Speed Automatic Transmission
 DGY = No Description Available
 DGZ = Transmission- 4-Spd. Automatic,MT643
 DBB = ALL MANUAL TRANSMISSIONS
 DGO = TRANSMISSIONS - ALL AUTOMATIC

AR = use ase required - = Non illustrated part

**Recliner and Adjuster
Figure IXJ-810**

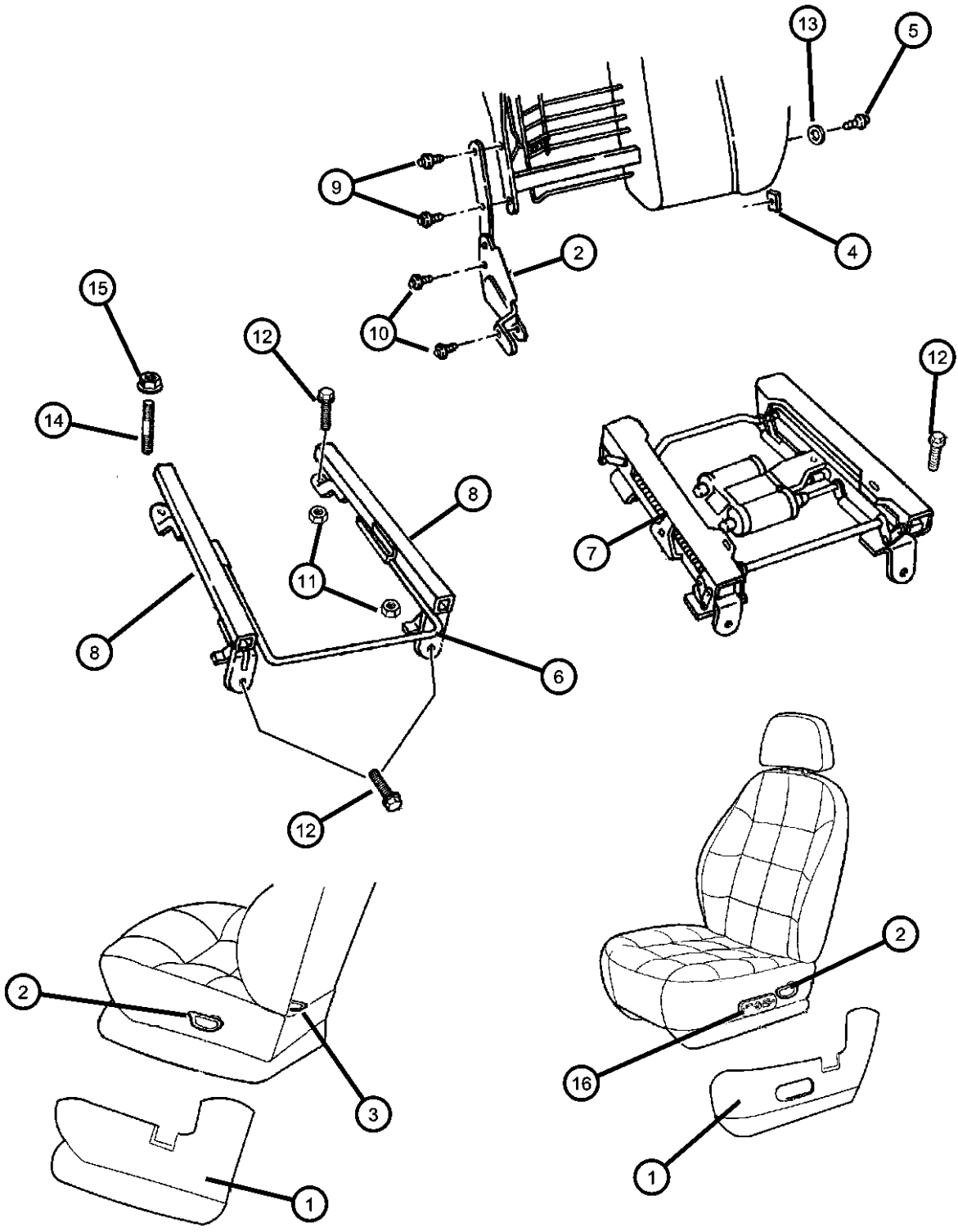


ITEM	PART NUMBER	QTY	LINE	SERIES	BODY	ENGINE	TRANS	TRIM	DESCRIPTION
	05003812AA	1	J, T		72			*XJ	Driver Inboard
		1	J, T		74			*XJ	Driver Inboard
		1	B, U		74			*XJ	Driver Inboard
		1	J, T, U		72			*B6	Driver Inboard
		1	J, T		74			*B6	Driver Inboard
		1	J, T		72			*M5	Driver Inboard
		1	J, T		74			*M5	Driver Inboard
		1	J, T		74			*X5	Driver Inboard
		1	B, U		74			*M5	Driver Inboard
		1	B, U		74			*B6	Driver Inboard
9									BOLT, Recliner to Seat Back
	04720768	4	J, T		74			*X5	
		4	B, U		74			*M5	
		4	B, U		74			*B6	
		4	B, U		74			*DL	
10									BOLT, Recliner To Cushion, Front Seat
	04796793	4	J, T		74			*B6	
		4	J, T		74			*DL	
		4	J, T		72			*M5	
		4	J, T		74			*M5	
		4	J, T		72			*XJ	
		4	J, T		74			*XJ	

CHEROKEE (XJ)
 SERIES LINE BODY ENGINE TRANSMISSION
 L = LOWLINE B = JEEP - 2WD (RHD) 72 = 2DR (101.4 WB) ENC = 2.5L 4 Cyl Turbo Diesel DCB = Transmission - 4-Speed Manual,T3340
 U = JEEP - 4WD (RHD) 74 = 4 DR (101.4 WB) EPE = Engine - 2.5L Power Tech I-4 Cyl. DDQ = 5-Speed Manual Transmission
 T = LHD - (2WD) ERH = 4.0L Power Tech I-6 Engine DDX = 5-Speed HD Manual Transmission
 J = JEEP - - LHD (4WD) ENO = Engines - ALL 4/5 CYL Turbo Diesel DGD = 3-Spd. Automatic 30RH Transmission
 ERO = Engines - All 4.0L 6 Cyl Gas DGK = 4-Spd. Automatic 42RE Transmission
 EPO = ENGINES - ALL 2.5L 4 CYL GAS DGS = 4-Speed Automatic AW4 Transmission
 DGT = 4-Spd. Automatic 46RE Transmission
 DGW = TRANSMISSION - 4-SPD. AUTOMATIC,44RE
 DGX = 4-Speed Automatic Transmission
 DGY = No Description Available
 DGZ = Transmission- 4-Spd. Automatic,MT643
 DBB = ALL MANUAL TRANSMISSIONS
 DGO = TRANSMISSIONS - ALL AUTOMATIC

AR = use ase required - = Non illustrated part

**Recliner and Adjuster
Figure IXJ-810**

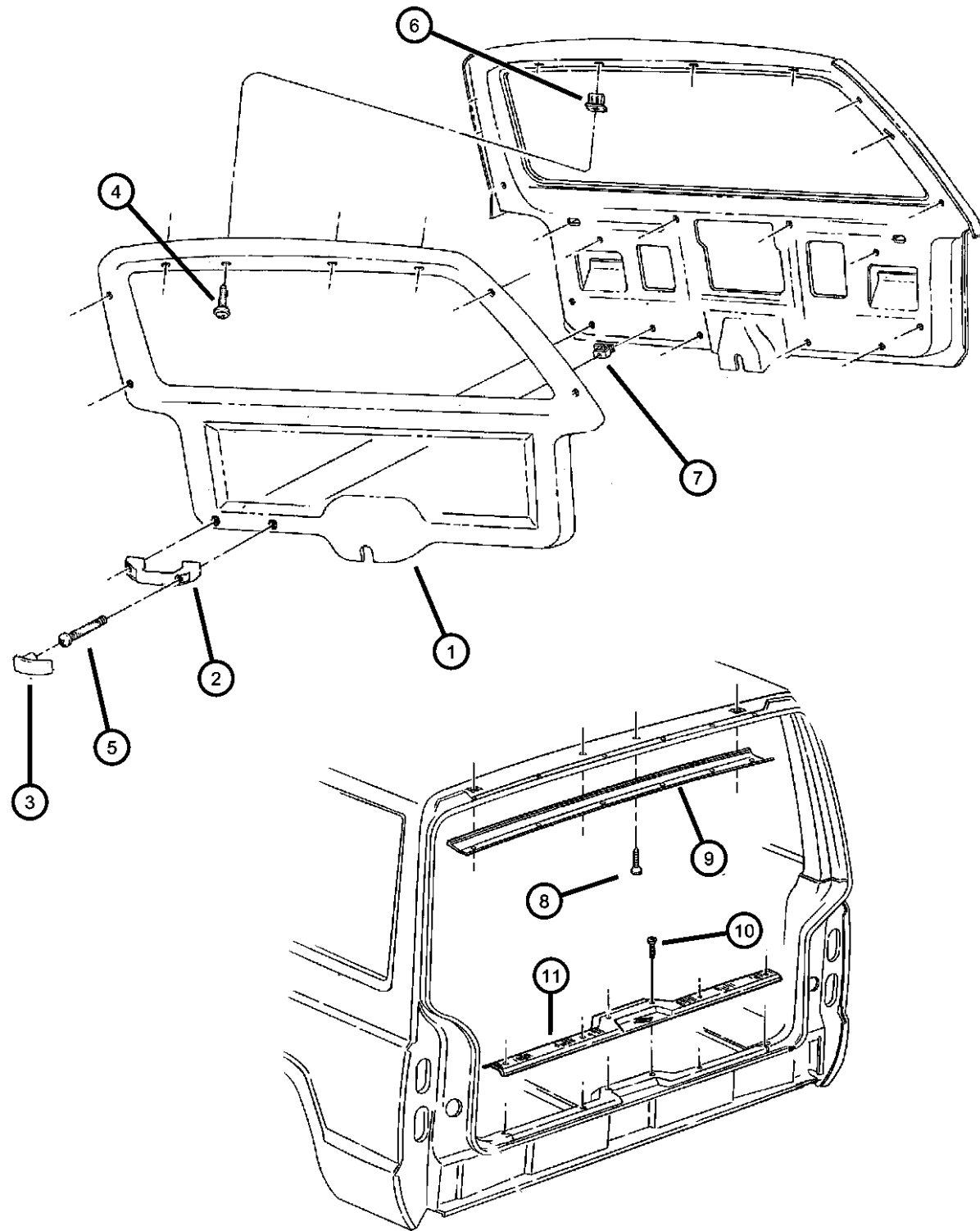


ITEM	PART NUMBER	QTY	LINE	SERIES	BODY	ENGINE	TRANS	TRIM	DESCRIPTION
		4	B, U		74			*XJ	
		4	B, U		74			*M5	
		4	B, U		74			*B6	
		4	B, U		74			*DL	
11	05101925AA	8						*O0	NUT, Seat Adjuster To Cushion
12	06504071	6							SCREW AND WASHER, Hex Head Tap, M8x1.25x33.00
13	06504071	6							WASHER, (NOT SERVICED)
14	06504071	6							STUD, (NOT SERVICED)
15	00152477	2							NUT, Hex Flange Lock, .437-20
16									SWITCH, Seat
	04373666	2	B, U		74			*XJ	
		2	B, U		74			*DL	
		2	J, T		74			*XJ	
		2	J, T		72			*XJ	
		2	J, T		74			*DL	

CHEROKEE (XJ)				
SERIES	LINE	BODY	ENGINE	TRANSMISSION
L = LOWLINE	B = JEEP - 2WD (RHD) U = JEEP - 4WD (RHD) T = LHD - (2WD) J = JEEP - - LHD (4WD)	72 = 2DR (101.4 WB) 74 = 4 DR (101.4 WB)	ENC = 2.5L 4 Cyl Turbo Diesel Engine EPE = Engine - 2.5L Power Tech I-4 Cyl. ERH = 4.0L Power Tech I-6 Engine ENO = Engines - ALL 4/5 CYL Turbo Diesel ERO = Engines - All 4.0L 6 Cyl Gas EPO = ENGINES - ALL 2.5L 4 CYL GAS	DCB = Transmission - 4-Speed Manual,T3340 DDQ = 5-Speed Manual Transmission DDX = 5-Speed HD Manual Transmission DGD = 3-Spd. Automatic 30RH Transmission DGK = 4-Spd. Automatic 42RE Transmission DGS = 4-Speed Automatic AW4 Transmission DGT = 4-Spd. Automatic 46RE Transmission DGW = TRANSMISSION - 4-SPD. AUTOMATIC,44RE DGX = 4-Speed Automatic Transmission DGY = No Description Available DGZ = Transmission- 4-Spd. Automatic,MT643 DBB = ALL MANUAL TRANSMISSIONS DGO = TRANSMISSIONS - ALL AUTOMATIC

AR = use ase required - = Non illustrated part

Liftgate Trim Panel
Figure IXJ-1010



ITEM	PART NUMBER	QTY	LINE	SERIES	BODY	ENGINE	TRANS	TRIM	DESCRIPTION
P.A.R.= Paint As Required									
1									PANEL, Liftgate
	5EG06RC3AB	1						*O0	Mist Gray
	5EG06RT6AB	1						*O0	Saddle
2									HANDLE, Roof Grab
	5DX76RT6	1						*O0	Saddle
	5DX76TC3	1						*O0	Mist Gray
3									PLUG, Assist and Grab Handle
	0H526RT6	2						*O0	Saddle
	0H526TC3	2						*O0	Mist Gray
4	0H526TC3	2							SCREW, .164-18x1.00, (NOT SERVICED),
5	0H526TC3	2							SCREW, .250-14x2.375, (NOT SERVICED)
6	06505141AA	4							NUT, Snap In, M4.2 x 1.41
7	06029509	2							U-NUT, .250-14
8	06029509	2							SCREW, .164-18x.625, (NOT SERVICED)
9									MOLDING, Liftgate Upper
	5ER43RC3AC	1						*O0	Mist Gray
	5ER43RT6AC	1						*O0	Saddle
10	34201468	6							SCREW, Round Washer Head, M4.2x1.41x25.00
11									SILL COVER, Interior

CHEROKEE (XJ)

SERIES LINE
L = LOWLINE B = JEEP - 2WD (RHD)
U = JEEP - 4WD (RHD)
T = LHD - (2WD)
J = JEEP - - LHD (4WD)

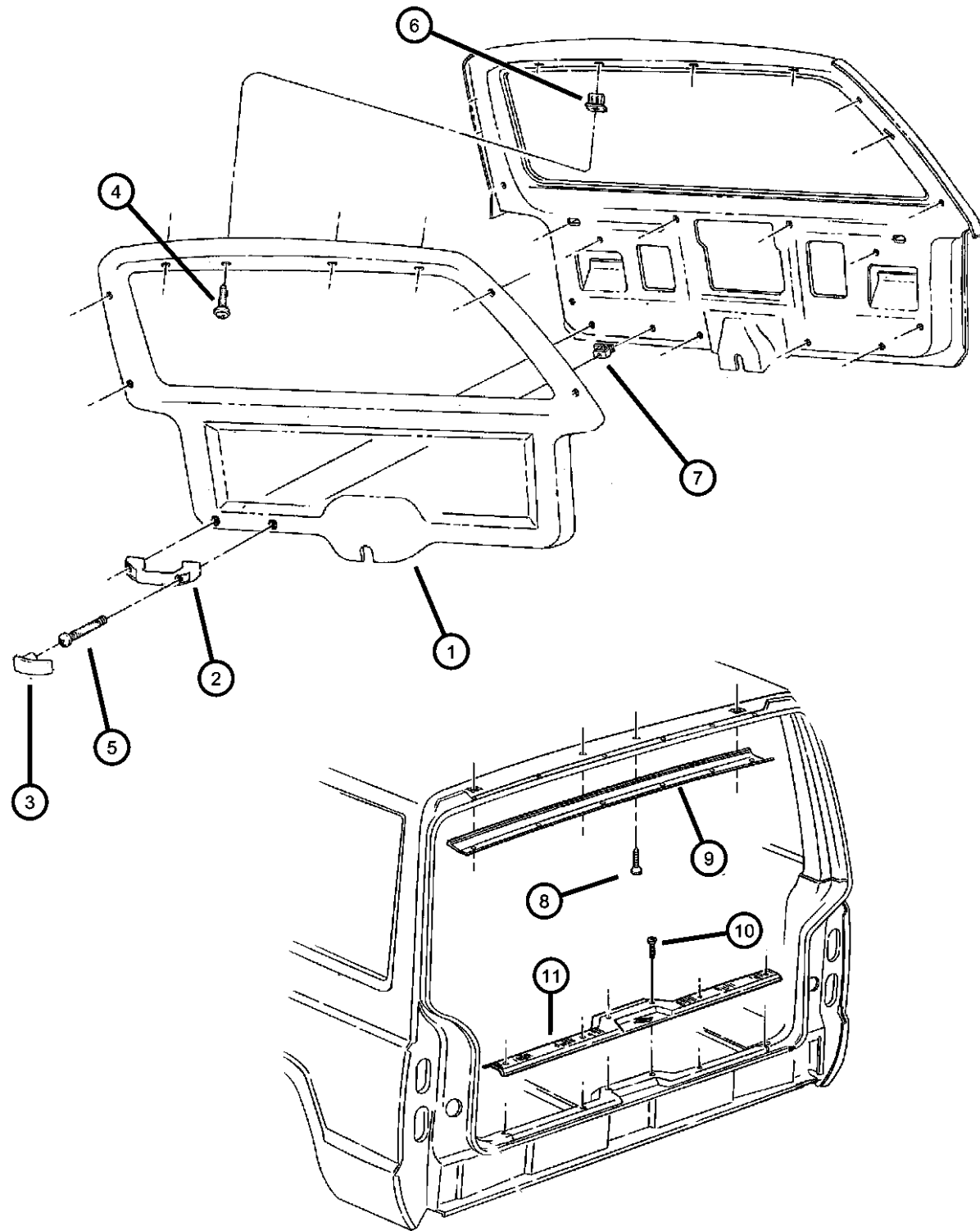
BODY
72 = 2DR (101.4 WB)
74 = 4 DR (101.4 WB)

ENGINE TRANSMISSION
ENC = 2.5L 4 Cyl Turbo Diesel Engine DCB = Transmission - 4-Speed Manual,T3340
EPE = Engine - 2.5L Power Tech I-4 Cyl. DDQ = 5-Speed Manual Transmission
ERH = 4.0L Power Tech I-6 Engine DDX = 5-Speed HD Manual Transmission
DGD = 3-Spd. Automatic 30RH Transmission
ENO = Engines - ALL 4/5 CYL Turbo Diesel DGK = 4-Spd. Automatic 42RE
ERO = Engines - All 4.0L 6 Cyl Gas Transmission
DGS = 4-Speed Automatic AW4 Transmission
EPO = ENGINES - ALL 2.5L 4 CYL GAS DGT = 4-Spd. Automatic 46RE Transmission
DGW = TRANSMISSION - 4-SPD. AUTOMATIC,44RE
DGX = 4-Speed Automatic Transmission
DGY = No Description Available
DGZ = Transmission- 4-Spd. Automatic,MT643
DBB = ALL MANUAL TRANSMISSIONS
DGO = TRANSMISSIONS - ALL AUTOMATIC

AR = use ase required - = Non illustrated part

1998 XJ

Liftgate Trim Panel
Figure IXJ-1010



ITEM	PART NUMBER	QTY	LINE	SERIES	BODY	ENGINE	TRANS	TRIM	DESCRIPTION
------	-------------	-----	------	--------	------	--------	-------	------	-------------

	5EG09RC3	1						*00	Mist Gray
	5EG09RT6	1						*00	Saddle

CHEROKEE (XJ)

SERIES	LINE
L = LOWLINE	B = JEEP - 2WD (RHD) U = JEEP - 4WD (RHD) T = LHD - (2WD) J = JEEP - - LHD (4WD)

BODY
72 = 2DR (101.4 WB) 74 = 4 DR (101.4 WB)

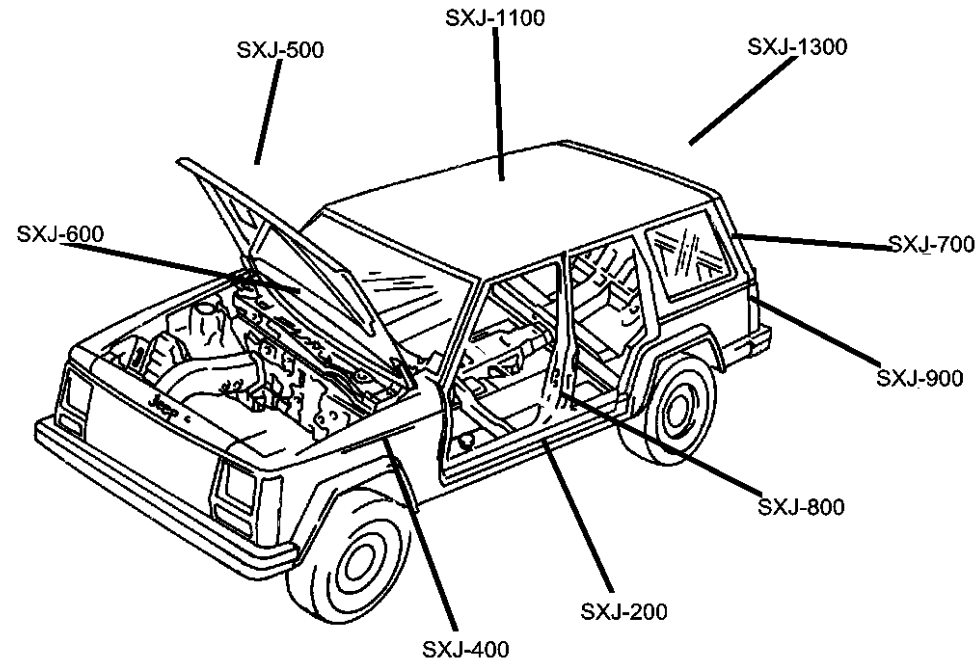
ENGINE	TRANSMISSION
ENC = 2.5L 4 Cyl Turbo Diesel Engine	DCB = Transmission - 4-Speed Manual,T3340
EPE = Engine - 2.5L Power Tech I-4 Cyl.	DDQ = 5-Speed Manual Transmission
ERH = 4.0L Power Tech I-6 Engine	DDX = 5-Speed HD Manual Transmission
ENO = Engines - ALL 4/5 CYL Turbo Diesel	DGD = 3-Spd. Automatic 30RH Transmission
ERO = Engines - All 4.0L 6 Cyl Gas	DGK = 4-Spd. Automatic 42RE Transmission
EPO = ENGINES - ALL 2.5L 4 CYL GAS	DGS = 4-Speed Automatic AW4 Transmission
	DGT = 4-Spd. Automatic 46RE Transmission
	DGW = TRANSMISSION - 4-SPD. AUTOMATIC,44RE
	DGX = 4-Speed Automatic Transmission
	DGY = No Description Available
	DGZ = Transmission- 4-Spd. Automatic,MT643
	DBB = ALL MANUAL TRANSMISSIONS
	DG0 = TRANSMISSIONS - ALL AUTOMATIC

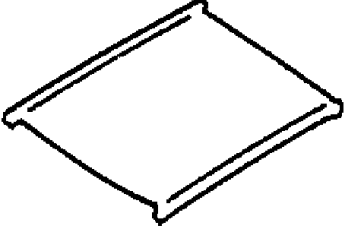
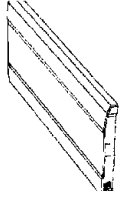
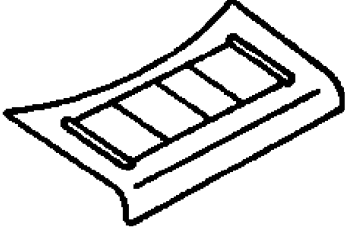
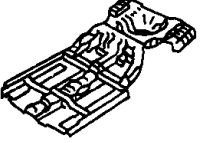

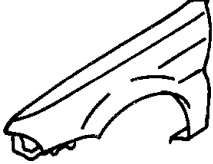
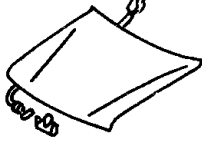
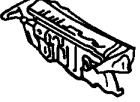

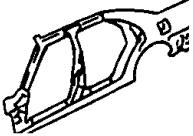
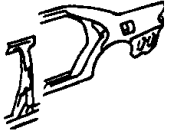
AR = use ase required - = Non illustrated part

1998 XJ

Group - SXJ

Body Sheet Metal Except Doors

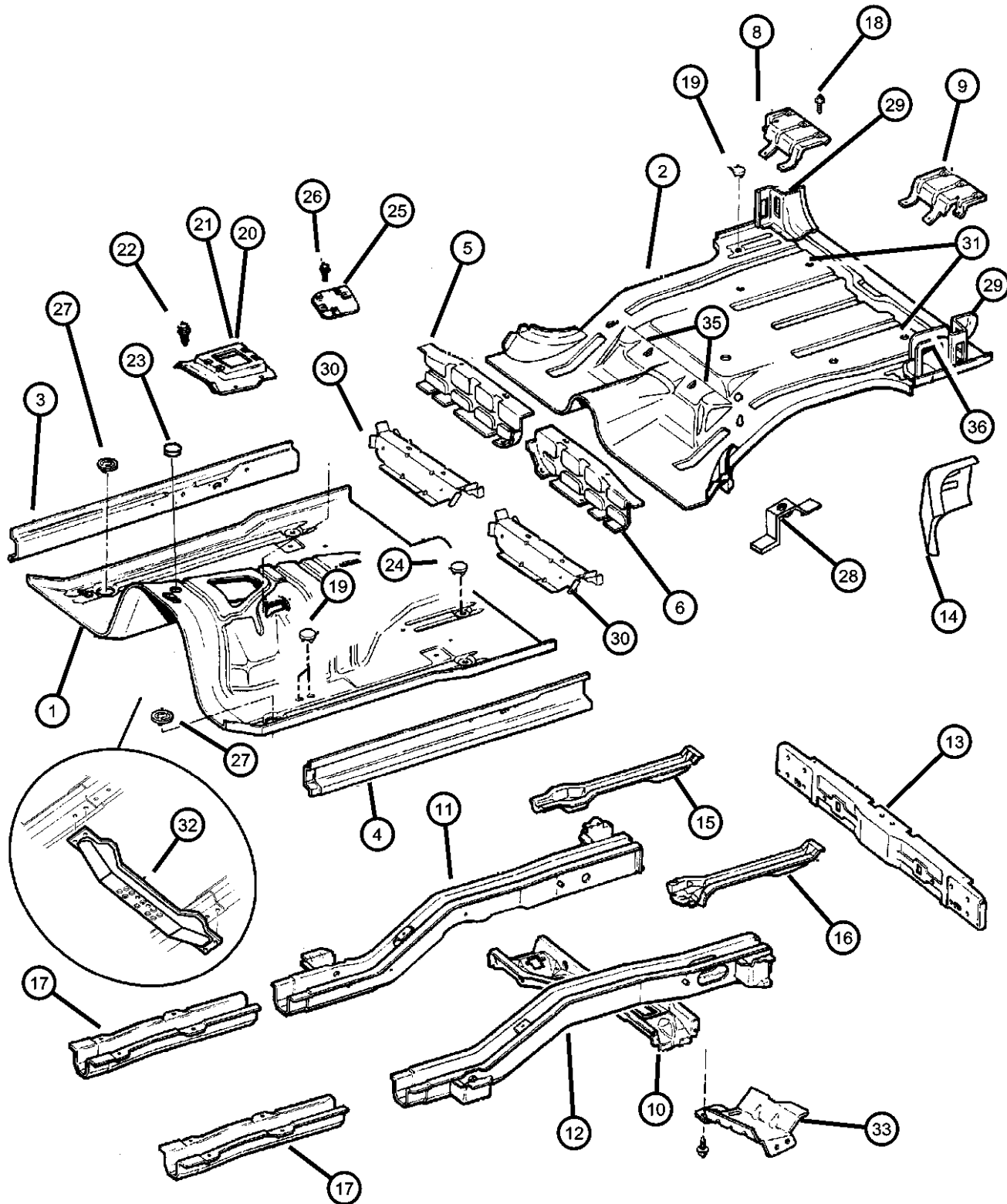


SXJ-1100 Roof Panels 	SXJ-1300 Liftgate Panel 	SXJ-1600 Luggage Rack 	SXJ-200 Floor Pans 
SXJ-300 Plugs 	SXJ-400 Front Fenders 	SXJ-500 Hood & Hood Release 	SXJ-600 Cowl and Dash Panel 
SXJ-700 Glass and Rear View Mirror 	SXJ-800 Aperture Panel 	SXJ-900 Quarter Panel and Pillar 	

Group - SXJ Body Sheet Metal Except Doors

Illustration Title	Group-Fig. No.
Floor Pans	
Pans, Floor	Fig. SXJ - 210
Plates, Underbody Skid.....	Fig. SXJ - 220
Plugs	
Plugs	Fig. SXJ - 310
Front Fenders	
Panels, Front End Inner and Wheelhouse	Fig. SXJ - 410
Fenders, Front.....	Fig. SXJ - 420
Hood & Hood Release	
Hood, Latch and Hinges	Fig. SXJ - 510
Cowl and Dash Panel	
Panels, Cowl And Dash, L.H.D.....	Fig. SXJ - 610
Cowl And Dash Panel, R.H.D.	Fig. SXJ - 620
Glass and Rear View Mirror	
Glass, Windshield, Backlite and Mirror	Fig. SXJ - 710
Windows, Quarter, 2 and 4 Doors.....	Fig. SXJ - 720
Aperture Panel	
Panels, Body side, 2 Door.....	Fig. SXJ - 810
Panels, Body Side, 4 Door	Fig. SXJ - 820
Quarter Panel and Pillar	
Panels, Rear Quarter, 2 Door	Fig. SXJ - 910
Fuel Filler Housing & Door	Fig. SXJ - 920
Panels, Rear Quarter, 4 Door	Fig. SXJ - 930
Appliques, Rear Quarter Panel.....	Fig. SXJ - 940
Roof Panels	
Roof Panel.....	Fig. SXJ - 1110
Liftgate Panel	
Lift Door, Latch and Hinges	Fig. SXJ - 1310
Luggage Rack	
Rack, Roof Luggage	Fig. SXJ - 1610

Pans, Floor
Figure SXJ-210



ITEM	PART NUMBER	QTY	LINE	SERIES	BODY	ENGINE	TRANS	TRIM	DESCRIPTION
1	55175512	1							PAN, Front Floor
2	55175177AB	1							PAN, Floor
3	55175088	1							SILL, Body SideRight
4	55235527	1							SILL, Body SideLeft
5	55235812AA	1							CROSSMEMBER, Floor PanRight
6	55235813AA	1							CROSSMEMBER, Floor PanLeft
-7	J4007073	2							SCREW AND WASHER, .375-16x1.125
8	55002230	1							SUPPORT, Rear FloorRight
9	55002231	1							SUPPORT, Rear FloorLeft
10	55175942	1							CROSSMEMBER, Rear Suspension
11	55235696	1							SILL, RearRight
12	55235697	1							SILL, RearLeft
13	55175178	1							SILL, Rear Cross
14	55175228	1							REINFORCEMENT, Liftgate Opening
15	57000022	1							SUPPORT, Fuel TankRight
16	55002935	1							SUPPORT, Fuel TankLeft
17	55235554	2							SILL, Body Side
18	J4001701	7							SCREW, Hex Self Tapping, .19-16x.50
19	55235716	2							PLUG, Floor
20	52104216	1							COVER, Floor Pan
21									COVER, Gearshift

CHEROKEE (XJ)

SERIES LINE
L = LOWLINE B = JEEP - 2WD (RHD)
U = JEEP - 4WD (RHD)
T = LHD - (2WD)
J = JEEP - - LHD (4WD)

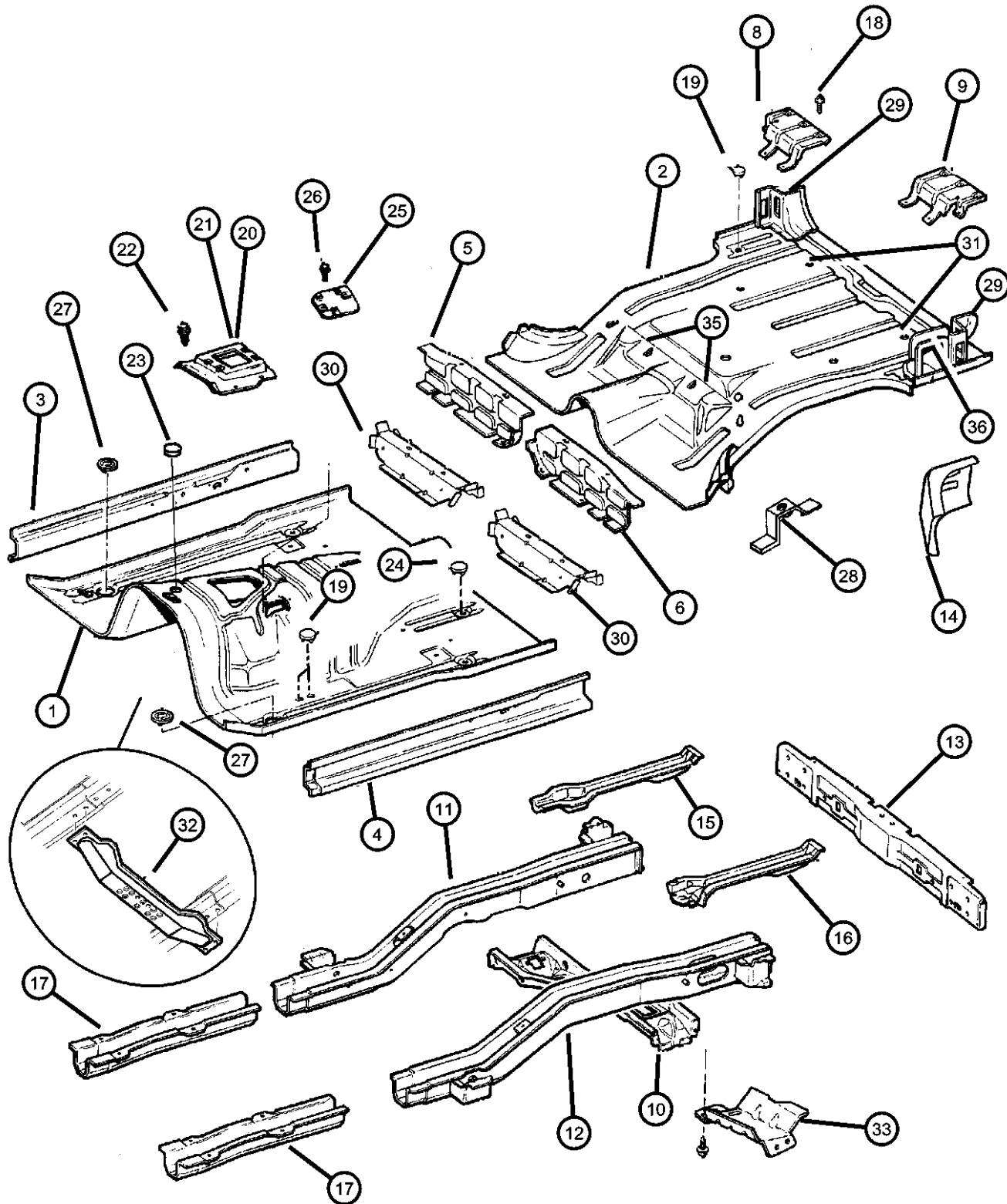
BODY
72 = 2DR (101.4 WB)
74 = 4 DR (101.4 WB)

ENGINE TRANSMISSION
ENC = 2.5L 4 Cyl Turbo Diesel Engine DCB = Transmission - 4-Speed Manual,T3340
EPE = Engine - 2.5L Power Tech I-4 Cyl. DDQ = 5-Speed Manual Transmission
ERH = 4.0L Power Tech I-6 Engine DDG = 5-Speed HD Manual Transmission
DGD = 3-Spd. Automatic 30RH Transmission
ENO = Engines - ALL 4/5 CYL Turbo Diesel DGK = 4-Spd. Automatic 42RE
ERO = Engines - All 4.0L 6 Cyl Gas Transmission
DGS = 4-Speed Automatic AW4 Transmission
EPO = ENGINES - ALL 2.5L 4 CYL GAS DGT = 4-Spd. Automatic 46RE Transmission
DGW = TRANSMISSION - 4-SPD. AUTOMATIC,44RE
DGX = 4-Speed Automatic Transmission
DGY = No Description Available
DGZ = Transmission- 4-Spd. Automatic,MT643
DBB = ALL MANUAL TRANSMISSIONS
DGO = TRANSMISSIONS - ALL AUTOMATIC

AR = use ase required - = Non illustrated part

1998 XJ

Pans, Floor
Figure SXJ-210



ITEM	PART NUMBER	QTY	LINE	SERIES	BODY	ENGINE	TRANS	TRIM	DESCRIPTION
	53000704	1	J, T						Automatic Transmission
		1	B, U						Automatic Transmission
22	J4001701	7							SCREW, Hex Self Tapping, .19-16x.50
23									PLUG, Floor Pan, 1.50 Diameter
	J4000499	1	B, T						
		1	J, U						
24	55006579	3							PLUG, Body, 38.1mm Diameter
25	55010460	1	B, T						COVER, Floor Pan
26	55010460	1							SCREW, M5x0.8x25.00, (NOT SERVICED)
27	04586052	2							PLUG
28	55001903	1							BRACKET, Jack
29									BRACE, Liftgate Opening
	55345172AB	1							Right
	55345173AB	1							Left
30									REINFORCEMENT, Front Seat
	55174756	1							Right
	55174759	1							Left
31	04780194	6							PLUG
32									CROSSMEMBER, Transmission
	52002328AB	1	B, U						2.5L, All Manual
		1							4.0L, Automatic

CHEROKEE (XJ)

SERIES LINE
 L = LOWLINE B = JEEP - 2WD (RHD)
 U = JEEP - 4WD (RHD)
 T = LHD - (2WD)
 J = JEEP - - LHD (4WD)

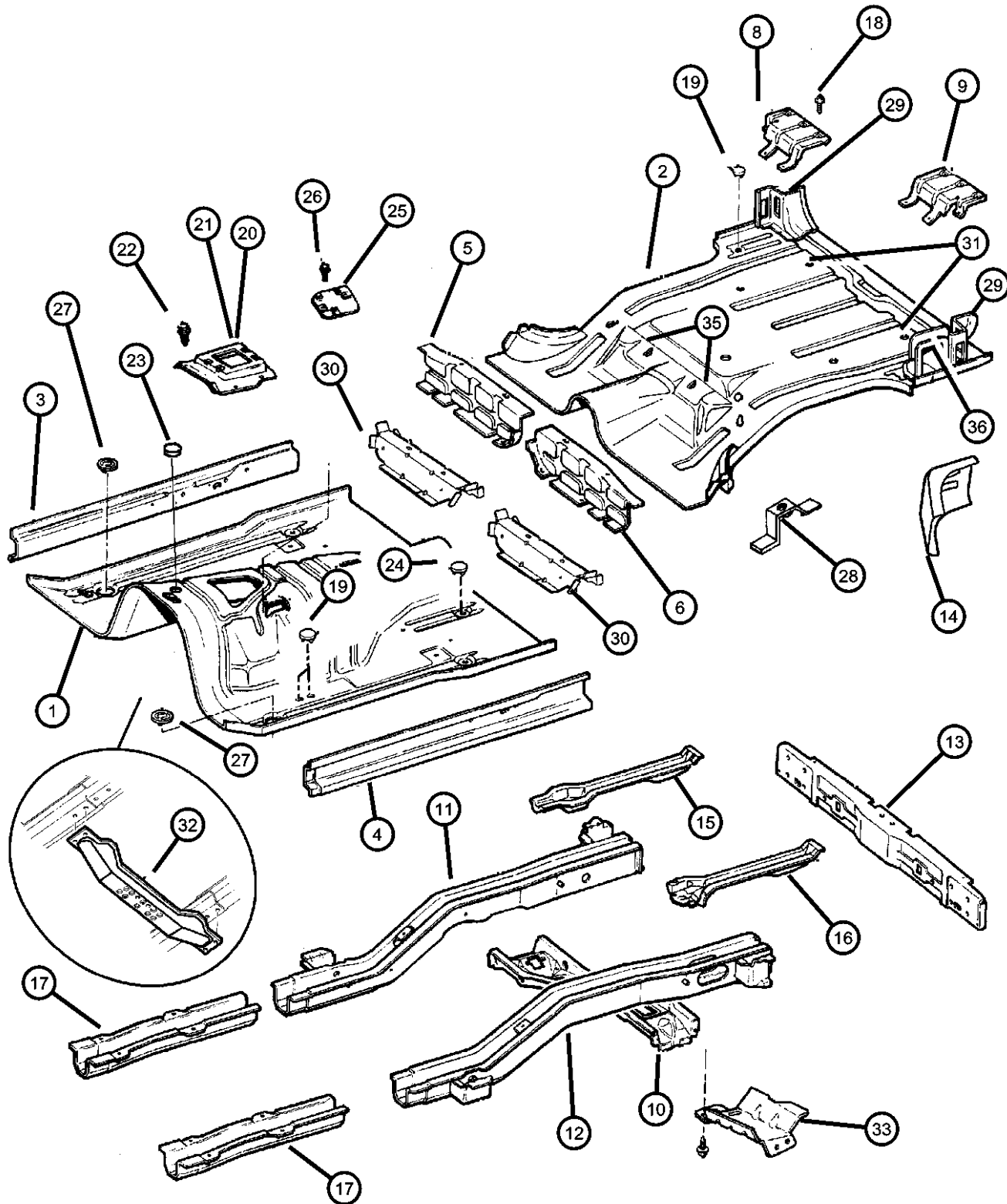
BODY
 72 = 2DR (101.4 WB)
 74 = 4 DR (101.4 WB)

ENGINE TRANSMISSION
 ENC = 2.5L 4 Cyl Turbo Diesel Engine DCB = Transmission - 4-Speed Manual, T3340
 EPE = Engine - 2.5L Power Tech I-4 Cyl. DDQ = 5-Speed Manual Transmission
 ERH = 4.0L Power Tech I-6 Engine DDX = 5-Speed HD Manual Transmission
 ENO = Engines - ALL 4/5 CYL Turbo Diesel DGD = 3-Spd. Automatic 30RH Transmission
 ERO = Engines - All 4.0L 6 Cyl Gas DGK = 4-Spd. Automatic 42RE Transmission
 EPO = ENGINES - ALL 2.5L 4 CYL GAS DGS = 4-Speed Automatic AW4 Transmission
 DGT = 4-Spd. Automatic 46RE Transmission
 DGW = TRANSMISSION - 4-SPD. AUTOMATIC, 44RE
 DGX = 4-Speed Automatic Transmission
 DGY = No Description Available
 DGZ = Transmission- 4-Spd. Automatic, MT643
 DBB = ALL MANUAL TRANSMISSIONS
 DGO = TRANSMISSIONS - ALL AUTOMATIC

AR = use ase required - = Non illustrated part

1998 XJ

Pans, Floor
Figure SXJ-210



ITEM	PART NUMBER	QTY	LINE	SERIES	BODY	ENGINE	TRANS	TRIM	DESCRIPTION
	52003929	1							4.0L, Manual 5 Speed
	52058643AC	1	J, T						2.5L, Automatic
		1	J, T						2.5L, All Manual
	52058682	1							Turbo, Diesel
33	55003285AB	1							SHIELD, Heat
-34	55235831AA	1							REINFORCEMENT, Rear Floor Pan
35									REINFORCEMENT, Seat Belt Anchor
	55235028	1							Right
	55235029AB	1							Left
36									EXTENSION, Rear Floor Pan
	55175960	1	J, T, U		72				Right
		1			74				Right
	55175961	1	J, T, U		72				Left
		1			74				Left

CHEROKEE (XJ)

SERIES LINE
 L = LOWLINE B = JEEP - 2WD (RHD)
 U = JEEP - 4WD (RHD)
 T = LHD - (2WD)
 J = JEEP - - LHD (4WD)

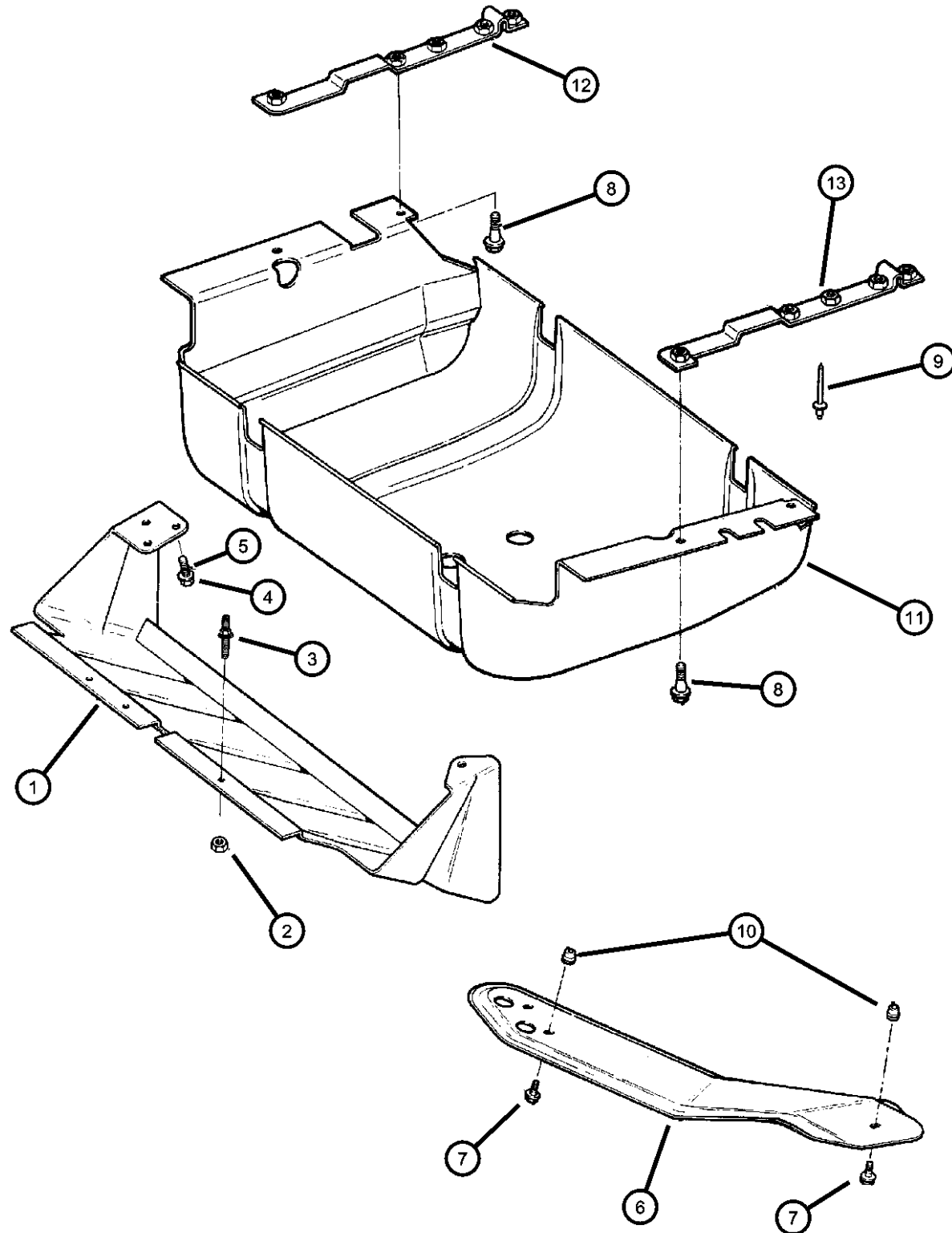
BODY
 72 = 2DR (101.4 WB)
 74 = 4 DR (101.4 WB)

ENGINE TRANSMISSION
 ENC = 2.5L 4 Cyl Turbo Diesel Engine DCB = Transmission - 4-Speed Manual,T3340
 EPE = Engine - 2.5L Power Tech I-4 Cyl. DDQ = 5-Speed Manual Transmission
 ERH = 4.0L Power Tech I-6 Engine DDG = 5-Speed HD Manual Transmission
 ENO = Engines - ALL 4/5 CYL Turbo Diesel DGD = 3-Spd. Automatic 30RH Transmission
 ERO = Engines - All 4.0L 6 Cyl Gas DGK = 4-Spd. Automatic 42RE Transmission
 EPO = ENGINES - ALL 2.5L 4 CYL GAS DGS = 4-Speed Automatic AW4 Transmission
 DGT = 4-Spd. Automatic 46RE Transmission
 DGW = TRANSMISSION - 4-SPD. AUTOMATIC,44RE
 DGX = 4-Speed Automatic Transmission
 DGY = No Description Available
 DGZ = Transmission- 4-Spd. Automatic,MT643
 DBB = ALL MANUAL TRANSMISSIONS
 DGO = TRANSMISSIONS - ALL AUTOMATIC

AR = use ase required - = Non illustrated part

1998 XJ

Plates, Underbody Skid
Figure SXJ-220



ITEM	PART NUMBER	QTY	LINE	SERIES	BODY	ENGINE	TRANS	TRIM	DESCRIPTION
1	52018009	1							SKID PLATE, Front
2	J4200046	3							NUT AND WASHER, Hex Flange, M8x1.25
3	34202209	3							STUD, Collared, M8x1.25x44.00
4	06502467	2							SCREW AND WASHER, Hex Head, M10x1.5x30
5									BOLT AND WASHER, Hex Head 2.5L
6	34202219	4							
7	82200616	1	J, U						PLATE, Transfer Case Skid
8	11502850	4							BOLT, Hex Flange Head, M8x1.25x20
9	34201964	4							BOLT, Hex Flange Head, M12x1.75x40
10	34201353	4							RIVET, M6.3x14.02
11	34201575	2	J, U						NUT, Insert, M8 x 1.25 x 18.29
12	52100328AA	1							PLATE, Skid
13	52001174	1							REINFORCEMENT, SillRight
	52001175	1							REINFORCEMENT, SillLeft

CHEROKEE (XJ)

SERIES LINE
L = LOWLINE B = JEEP - 2WD (RHD)
U = JEEP - 4WD (RHD)
T = LHD - (2WD)
J = JEEP - - LHD (4WD)

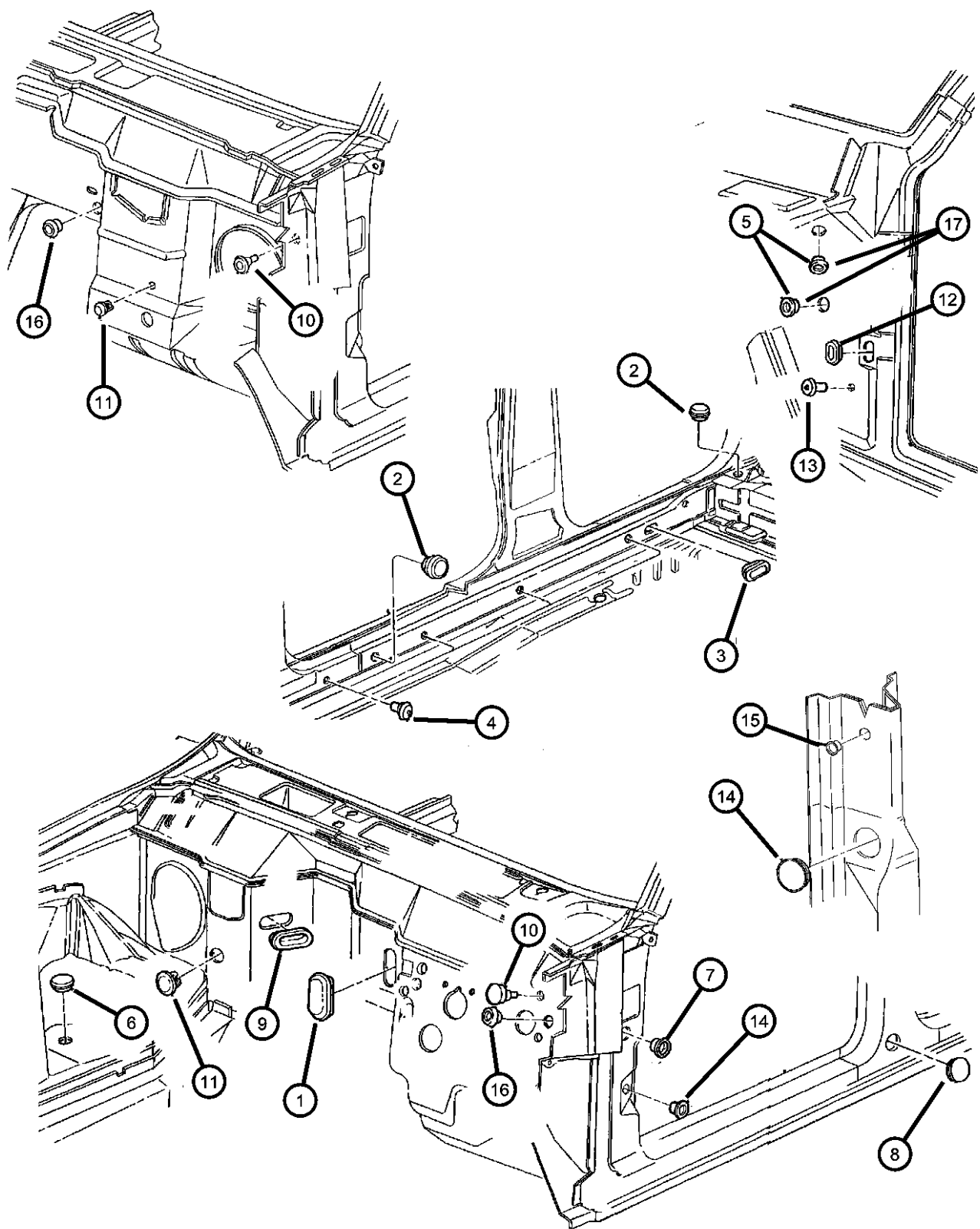
BODY
72 = 2DR (101.4 WB)
74 = 4 DR (101.4 WB)

ENGINE TRANSMISSION
ENC = 2.5L 4 Cyl Turbo Diesel Engine DCB = Transmission - 4-Speed Manual,T3340
EPE = Engine - 2.5L Power Tech I-4 Cyl. DDQ = 5-Speed Manual Transmission
ERH = 4.0L Power Tech I-6 Engine DDG = 5-Speed HD Manual Transmission
ENO = Engines - ALL 4/5 CYL Turbo Diesel DGD = 3-Spd. Automatic 30RH Transmission
ERO = Engines - All 4.0L 6 Cyl Gas DGK = 4-Spd. Automatic 42RE Transmission
EPO = ENGINES - ALL 2.5L 4 CYL GAS DGS = 4-Speed Automatic AW4 Transmission
DGT = 4-Spd. Automatic 46RE Transmission
DGW = TRANSMISSION - 4-SPD. AUTOMATIC,44RE
DGX = 4-Speed Automatic Transmission
DGY = No Description Available
DGZ = Transmission- 4-Spd. Automatic,MT643
DBB = ALL MANUAL TRANSMISSIONS
DGO = TRANSMISSIONS - ALL AUTOMATIC

AR = use ase required - = Non illustrated part

1998 XJ

**Plugs
Figure SXJ-310**



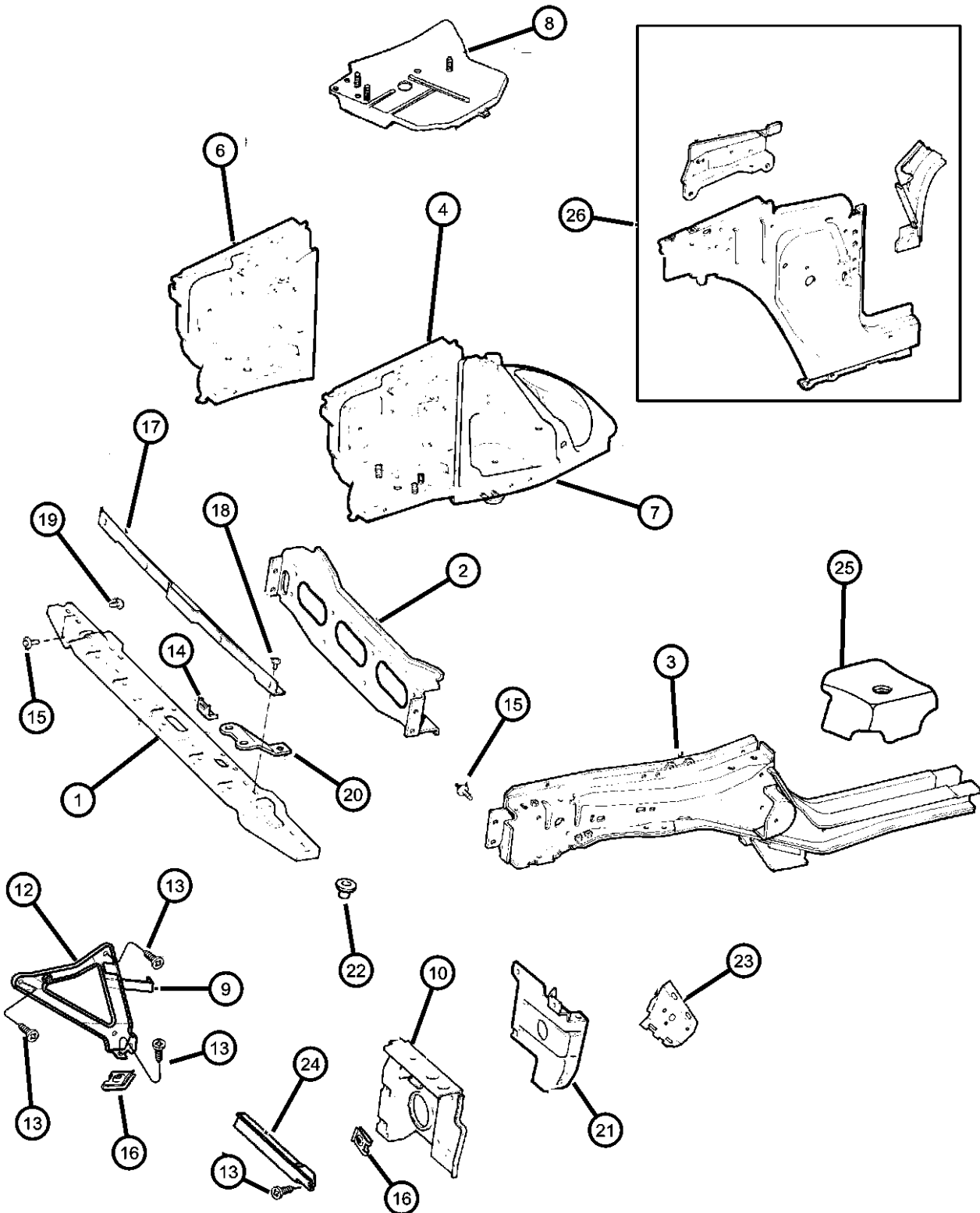
ITEM	PART NUMBER	QTY	LINE	SERIES	BODY	ENGINE	TRANS	TRIM	DESCRIPTION
1	34202215	1	B, J, U						PLUG, Dash Panel
2	34201532	4							PLUG, Liftgate Wiring Hole
3	34201613	2							PLUG, Floor Pan, .748 x 1.0
4									PLUG, Sill, Button
	34201973	1	J, T						
		1	B, U						
5		1							PLUG, Body, 1.25 Diameter Plastic, (NOT REQUIRED)
6	J4005015	2							PLUG, Body, .54 Diameter Plastic
7	J4000377	2							PLUG, Floor Pan, 1.00 Diameter
8	J4000377	2							PLUG, Floor Pan, 1.00 Diameter
9	06502246	1							PLUG, Body, 4.0mm X 76.4mm
10	06502246	1							PLUG, (NOT SERVICED)
11	55009554	1							PLUG, Sealing
12	55009554	1							PLUG, Body, 25.4mm x 39mm, (NOT REQUIRED)
13									PLUG, Sill, Button
	34201973	1	J, T						
		1	B, U						
14	55002367	2							PLUG, Door Wiring Conduit
15	34201614	2			74				PLUG, Door Hinge, Button
16	06034362	1							PLUG, Body, 31.9mm Diameter
17	55235717	2							PLUG, Body
-18	04586055	2							PLUG, Floor Pan

CHEROKEE (XJ)

SERIES	LINE	BODY	ENGINE	TRANSMISSION
L = LOWLINE	B = JEEP - 2WD (RHD) U = JEEP - 4WD (RHD) T = LHD - (2WD) J = JEEP - - LHD (4WD)	72 = 2DR (101.4 WB) 74 = 4 DR (101.4 WB)	ENC = 2.5L 4 Cyl Turbo Diesel Engine EPE = Engine - 2.5L Power Tech I-4 Cyl. ERH = 4.0L Power Tech I-6 Engine ENO = Engines - ALL 4/5 CYL Turbo Diesel ERO = Engines - All 4.0L 6 Cyl Gas EPO = ENGINES - ALL 2.5L 4 CYL GAS	DCB = Transmission - 4-Speed Manual,T3340 DDQ = 5-Speed Manual Transmission DDX = 5-Speed HD Manual Transmission DGD = 3-Spd. Automatic 30RH Transmission DGK = 4-Spd. Automatic 42RE Transmission DGS = 4-Speed Automatic AW4 Transmission DGT = 4-Spd. Automatic 46RE Transmission DGW = TRANSMISSION - 4-SPD. AUTOMATIC,44RE DGX = 4-Speed Automatic Transmission DGY = No Description Available DGZ = Transmission- 4-Spd. Automatic,MT643 DBB = ALL MANUAL TRANSMISSIONS DGO = TRANSMISSIONS - ALL AUTOMATIC

AR = use ase required - = Non illustrated part

**Panels, Front End Inner and Wheelhouse
Figure SXJ-410**



ITEM	PART NUMBER	QTY	LINE	SERIES	BODY	ENGINE	TRANS	TRIM	DESCRIPTION
------	-------------	-----	------	--------	------	--------	-------	------	-------------

EPO= 2.5, 4 Cylinder Gas
 EN0= 4 Cylinder Turbo Diesel
 ER0= 4.0, 6 Cylinder Gas

1	55027533	1	B, U						CROSSMEMBER, Radiator With Sales Code EPO
	55235830AA	1	J, T						With Sales Code EPO With Sales codes EN0,ER0
2	55174978	1							CROSSMEMBER, Front Suspension
3	04798084AB	1	J, T						PANEL, Sill Right
	04798085AB	1	J, T						Left
	04897136AB	1	B, U						Right
	04897137AB	1	B, U						Left
4	55175636	1	B, U						WHEELHOUSE, Front Inner Right
	55175637	1	B, U						Left
	55175640	1	J, T						Right
	55175641	1	J, T						Left
-5	09428962	3	B, U						SCREW, Internal Weld Stud, .250x20x.625
6	55235624	1							PANEL, Front Wheelhouse Right
	55235625	1							Left
7									SUPPORT, Shock Absorber

CHEROKEE (XJ)

SERIES LINE
 L = LOWLINE B = JEEP - 2WD (RHD)
 U = JEEP - 4WD (RHD)
 T = LHD - (2WD)
 J = JEEP - - LHD (4WD)

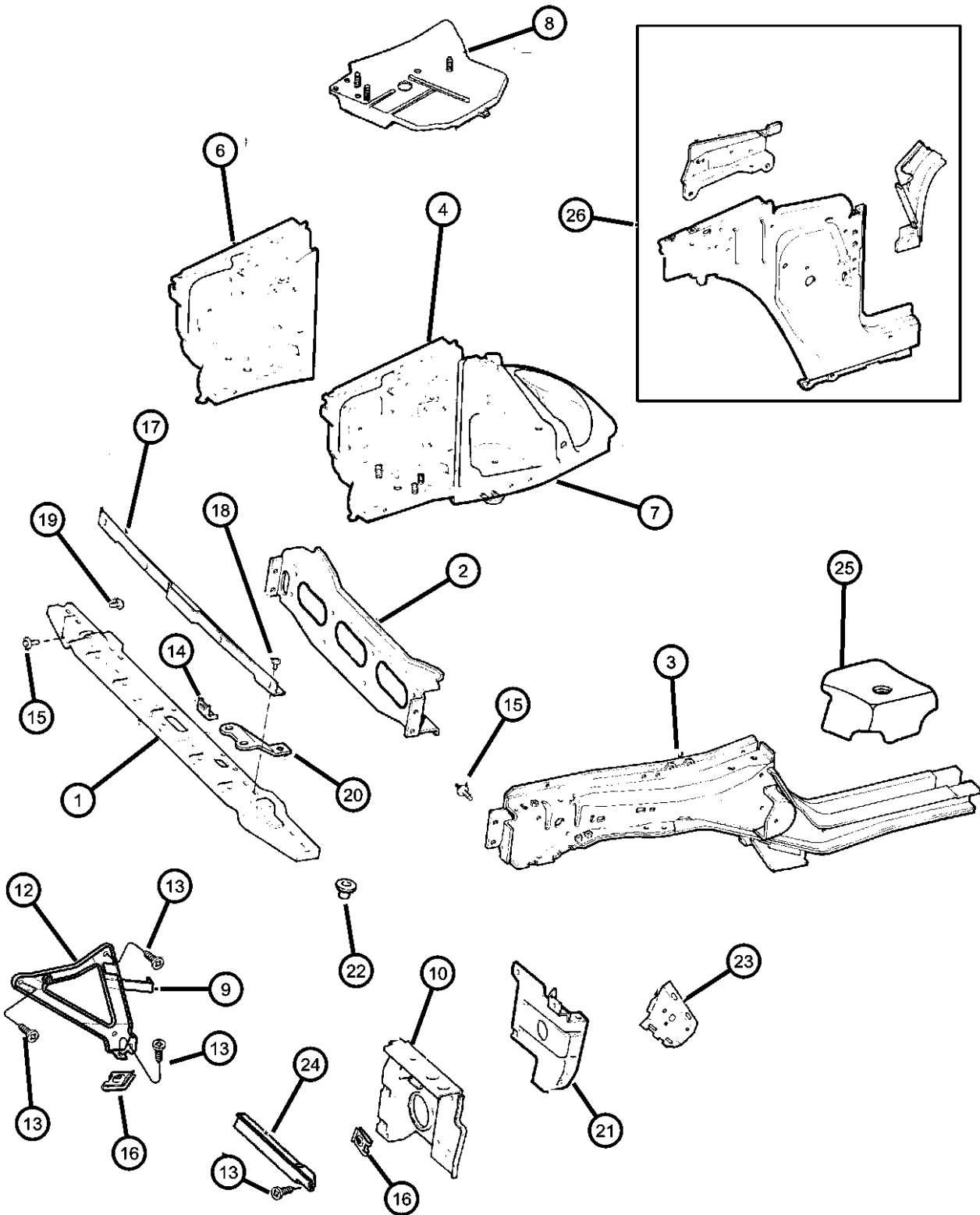
BODY
 72 = 2DR (101.4 WB)
 74 = 4 DR (101.4 WB)

ENGINE TRANSMISSION
 ENC = 2.5L 4 Cyl Turbo Diesel Engine DCB = Transmission - 4-Speed Manual,T3340
 EPE = Engine - 2.5L Power Tech I-4 Cyl. DDQ = 5-Speed Manual Transmission
 ERH = 4.0L Power Tech I-6 Engine DDX = 5-Speed HD Manual Transmission
 ENO = Engines - ALL 4/5 CYL Turbo Diesel DGD = 3-Spd. Automatic 30RH Transmission
 ERO = Engines - All 4.0L 6 Cyl Gas DGK = 4-Spd. Automatic 42RE Transmission
 EPO = ENGINES - ALL 2.5L 4 CYL GAS DGS = 4-Speed Automatic AW4 Transmission
 DGT = 4-Spd. Automatic 46RE Transmission
 DGW = TRANSMISSION - 4-SPD. AUTOMATIC,44RE
 DGX = 4-Speed Automatic Transmission
 DGY = No Description Available
 DGZ = Transmission- 4-Spd. Automatic,MT643
 DBB = ALL MANUAL TRANSMISSIONS
 DGO = TRANSMISSIONS - ALL AUTOMATIC

AR = use ase required - = Non illustrated part

1998 XJ

**Panels, Front End Inner and Wheelhouse
Figure SXJ-410**



ITEM	PART NUMBER	QTY	LINE	SERIES	BODY	ENGINE	TRANS	TRIM	DESCRIPTION
	55174992	1							Right
	55174993	1							Left
	55175003	1							Includes 55174993 & 6503268 Screw, Left
8									REINFORCEMENT, Battery Tray
	55015210	1							Diesel, Left Side
	55235293	1							
9	55019221	2							REINFORCEMENT, Sill
10									BAFFLE, Radiator
	55235220AB	1							Right
	55235221AB	1							Left
-11	06504147	2							SCREW AND WASHER, PAN HEAD, M6X1.00X16.00
12									REINFORCEMENT, Sill
	55013176AB	1							Right
	55013177AB	1							Left
13	34202575	2							SCREW AND WASHER, Hex Head
14	34202575	2							BRACKET, Grille Opening Panel, (NOT REQUIRED)
15	34201808	2							SCREW AND CONED WASHER, Hex Head, M6x1.00x16.00
16	06504118	3							U-NUT, M6 x 1.00, M6x1.00
17	55010074AB	1							BRACKET, Grille
18	06504352	4							SCREW

CHEROKEE (XJ)

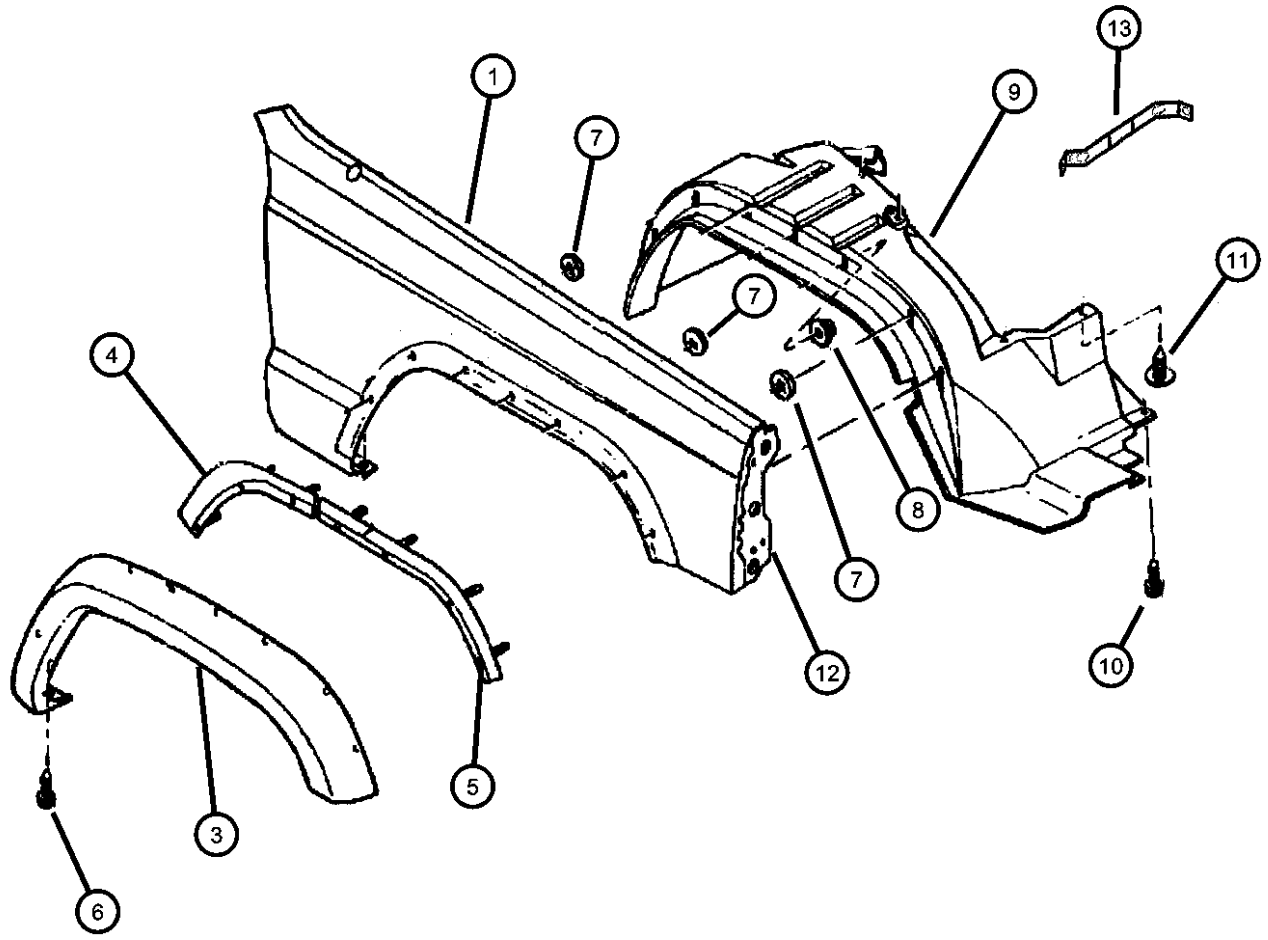
SERIES	LINE	BODY	ENGINE	TRANSMISSION
L = LOWLINE	B = JEEP - 2WD (RHD) U = JEEP - 4WD (RHD) T = LHD - (2WD) J = JEEP - - LHD (4WD)	72 = 2DR (101.4 WB) 74 = 4 DR (101.4 WB)	ENC = 2.5L 4 Cyl Turbo Diesel EPE = Engine - 2.5L Power Tech I-4 Cyl. ERH = 4.0L Power Tech I-6 Engine ENO = Engines - ALL 4/5 CYL Turbo Diesel ERO = Engines - All 4.0L 6 Cyl Gas EPO = ENGINES - ALL 2.5L 4 CYL GAS	DCB = Transmission - 4-Speed Manual,T3340 DDQ = 5-Speed Manual Transmission DDX = 5-Speed HD Manual Transmission DGD = 3-Spd. Automatic 30RH Transmission DGK = 4-Spd. Automatic 42RE Transmission DGS = 4-Speed Automatic AW4 Transmission DGT = 4-Spd. Automatic 46RE Transmission DGW = TRANSMISSION - 4-SPD. AUTOMATIC,44RE DGX = 4-Speed Automatic Transmission DGY = No Description Available DGZ = Transmission- 4-Spd. Automatic,MT643 DBB = ALL MANUAL TRANSMISSIONS DGO = TRANSMISSIONS - ALL AUTOMATIC

AR = use ase required - = Non illustrated part

Fenders, Front
Figure SXJ-420

ITEM	PART NUMBER	QTY	LINE	SERIES	BODY	ENGINE	TRANS	TRIM	DESCRIPTION
------	-------------	-----	------	--------	------	--------	-------	------	-------------

ARU= SE Decor
ARW= Sport Decor
ARX= Country Decor
ART= Classic Decore



1									FENDER, Front
	55175396	1	J, U						Right, Export
	55175397	1	J, U						Left, Export
	55175508	1							Right
	55175509	1							Left
-2	11503745	2							NUT, Hex, M6x1
3									APPLIQUE, Fender Wheel Opening
	5FW70DX8AD	1							Black, With Country or Classic, (ART,ARX), Right
	5FW70PR4AD	1							Red, Right
	5FW70RJ-NAD	1							Moss Green, Right
	5FW70SW1AD	1							White, Right
	5FW70TC-NAD	1							Deep Amethyst, Right
	5FW70TQ7AD	1							Gunmetal Pearl, Right
	5FW70VEAAD	1							Chilli Pepper Red, Right
	5FW71DX8AD	1							Black, With Country or Classic, (ART,ARX), Left
	5FW71PR4AD	1							Red, Left
	5FW71RJ-NAD	1							Moss Green, Left

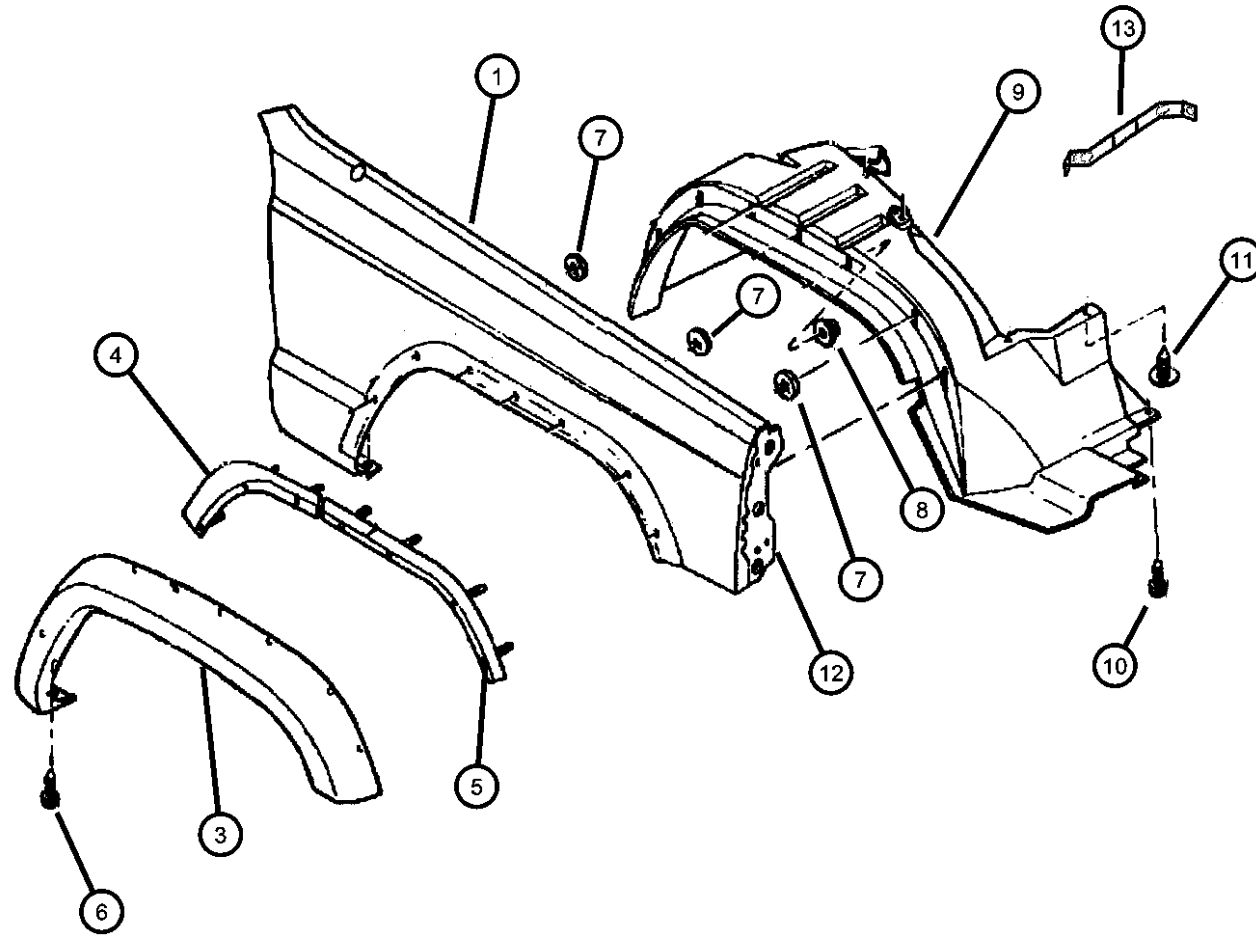
CHEROKEE (XJ)

SERIES	LINE	BODY	ENGINE	TRANSMISSION
L = LOWLINE	B = JEEP - 2WD (RHD) U = JEEP - 4WD (RHD) T = LHD - (2WD) J = JEEP - - LHD (4WD)	72 = 2DR (101.4 WB) 74 = 4 DR (101.4 WB)	ENC = 2.5L 4 Cyl Turbo Diesel Engine EPE = Engine - 2.5L Power Tech I-4 Cyl. ERH = 4.0L Power Tech I-6 Engine ENO = Engines - ALL 4/5 CYL Turbo Diesel ERO = Engines - All 4.0L 6 Cyl Gas EPO = ENGINES - ALL 2.5L 4 CYL GAS	DCB = Transmission - 4-Speed Manual,T3340 DDQ = 5-Speed Manual Transmission DDX = 5-Speed HD Manual Transmission DGD = 3-Spd. Automatic 30RH Transmission DGK = 4-Spd. Automatic 42RE Transmission DGS = 4-Speed Automatic AW4 Transmission DGT = 4-Spd. Automatic 46RE Transmission DGW = TRANSMISSION - 4-SPD. AUTOMATIC,44RE DGX = 4-Speed Automatic Transmission DGY = No Description Available DGZ = Transmission- 4-Spd. Automatic,MT643 DBB = ALL MANUAL TRANSMISSIONS DGO = TRANSMISSIONS - ALL AUTOMATIC

AR = use ase required - = Non illustrated part

1998 XJ

Fenders, Front
Figure SXJ-420



ITEM	PART NUMBER	QTY	LINE	SERIES	BODY	ENGINE	TRANS	TRIM	DESCRIPTION
	5FW71SW1AD	1							White, Left
	5FW71TC-NAD	1							Deep Amethyst, Left
	5FW71TQ7AD	1							Gunmetal Pearl, Left
	5FW71VEAAD	1							Chilli Pepper Red, Left
	5FW72DX9AD	1							Black, With SE or Sport, (ARU,ARW), Right
	5FW73DX9AD	1							Black, With SE or Sport, (ARU,ARW), Left
4									RETAINER, Applique, Rear
	55155674AA	1							Right
	55155675AA	1							Left
5									RETAINER, Applique, Front
	55155676AC	1							Right
	55155677AC	1							Left
6	34202358	2							SCREW, Pan Head, M4.8x1.59x13.00
7	06505049AA	6							NUT, M5
8	J4200408	14							NUT AND WASHER, Hex Nut-Coned Washer, M5 x 0.80
9									LINER, Front Fender
	55175896AC	1							Right
	55175897AC	1							Left
10	34202575	2							SCREW AND WASHER, Hex Head
11	06030441	14							PIN, Retainer

CHEROKEE (XJ)

SERIES LINE
 L = LOWLINE B = JEEP - 2WD (RHD)
 U = JEEP - 4WD (RHD)
 T = LHD - (2WD)
 J = JEEP - - LHD (4WD)

BODY
 72 = 2DR (101.4 WB)
 74 = 4 DR (101.4 WB)

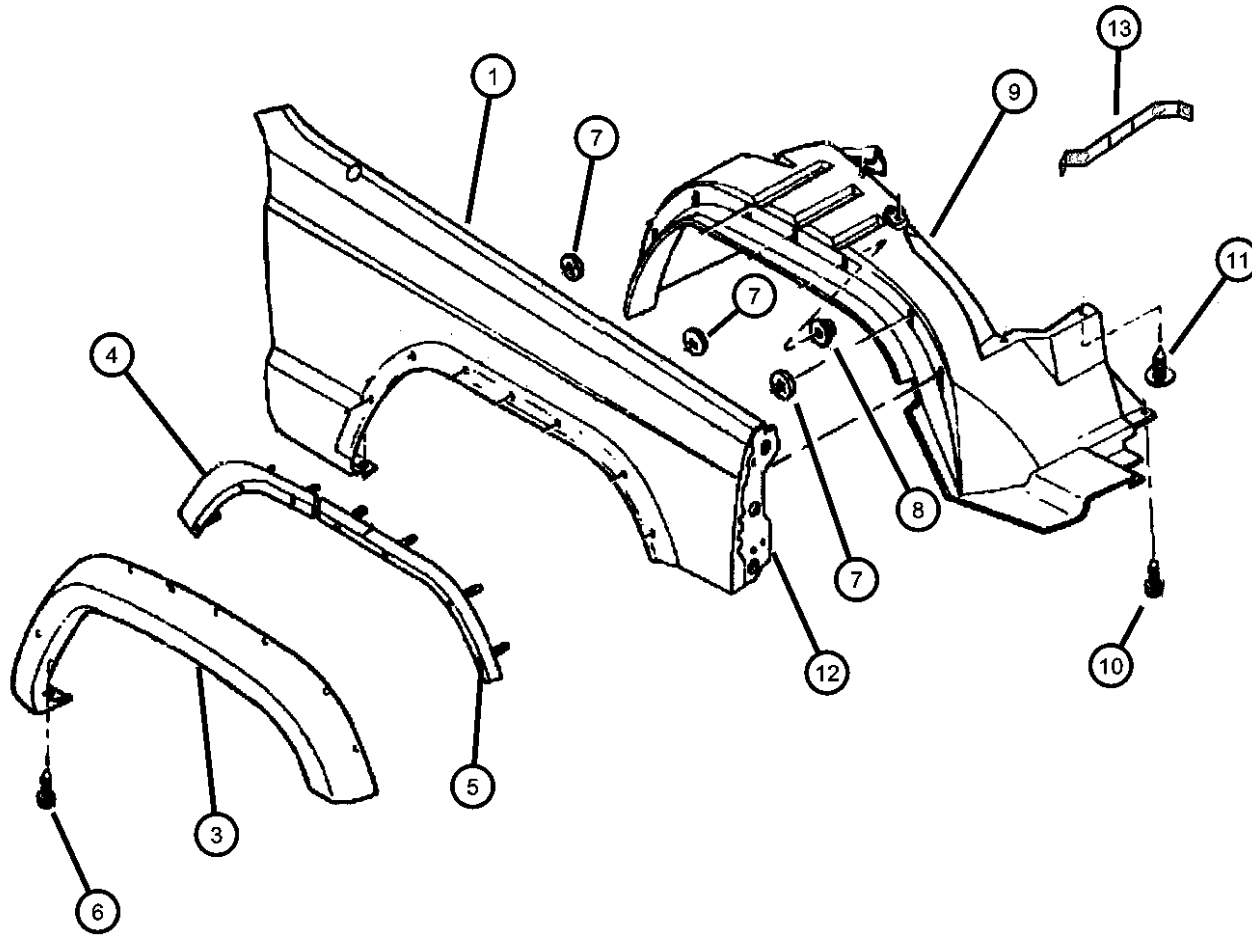
ENGINE TRANSMISSION
 ENC = 2.5L 4 Cyl Turbo Diesel Engine
 EPE = Engine - 2.5L Power Tech I-4 Cyl.
 ERH = 4.0L Power Tech I-6 Engine
 ENO = Engines - ALL 4/5 CYL Turbo Diesel
 ERO = Engines - All 4.0L 6 Cyl Gas
 EPO = ENGINES - ALL 2.5L 4 CYL GAS
 DCB = Transmission - 4-Speed Manual,T3340
 DDQ = 5-Speed Manual Transmission
 DDG = 5-Speed HD Manual Transmission
 DGD = 3-Spd. Automatic 30RH Transmission
 DGK = 4-Spd. Automatic 42RE Transmission
 DGS = 4-Speed Automatic AW4 Transmission
 DGT = 4-Spd. Automatic 46RE Transmission
 DGW = TRANSMISSION - 4-SPD. AUTOMATIC,44RE
 DGX = 4-Speed Automatic Transmission
 DGY = No Description Available
 DGZ = Transmission- 4-Spd. Automatic,MT643
 DBB = ALL MANUAL TRANSMISSIONS
 DG0 = TRANSMISSIONS - ALL AUTOMATIC

AR = use ase required - = Non illustrated part

1998 XJ

Fenders, Front
Figure SXJ-420

ITEM	PART NUMBER	QTY	LINE	SERIES	BODY	ENGINE	TRANS	TRIM	DESCRIPTION
12	55175586	1							BRACKET, Fender Extension To Baffle, Right
	55175587	1							Extension To Baffle, Left
13	55003652	2							BRACKET, Fender, Wheelhouse To Support Spring Shock



CHEROKEE (XJ)

SERIES LINE
 L = LOWLINE B = JEEP - 2WD (RHD)
 U = JEEP - 4WD (RHD)
 T = LHD - (2WD)
 J = JEEP - - LHD (4WD)

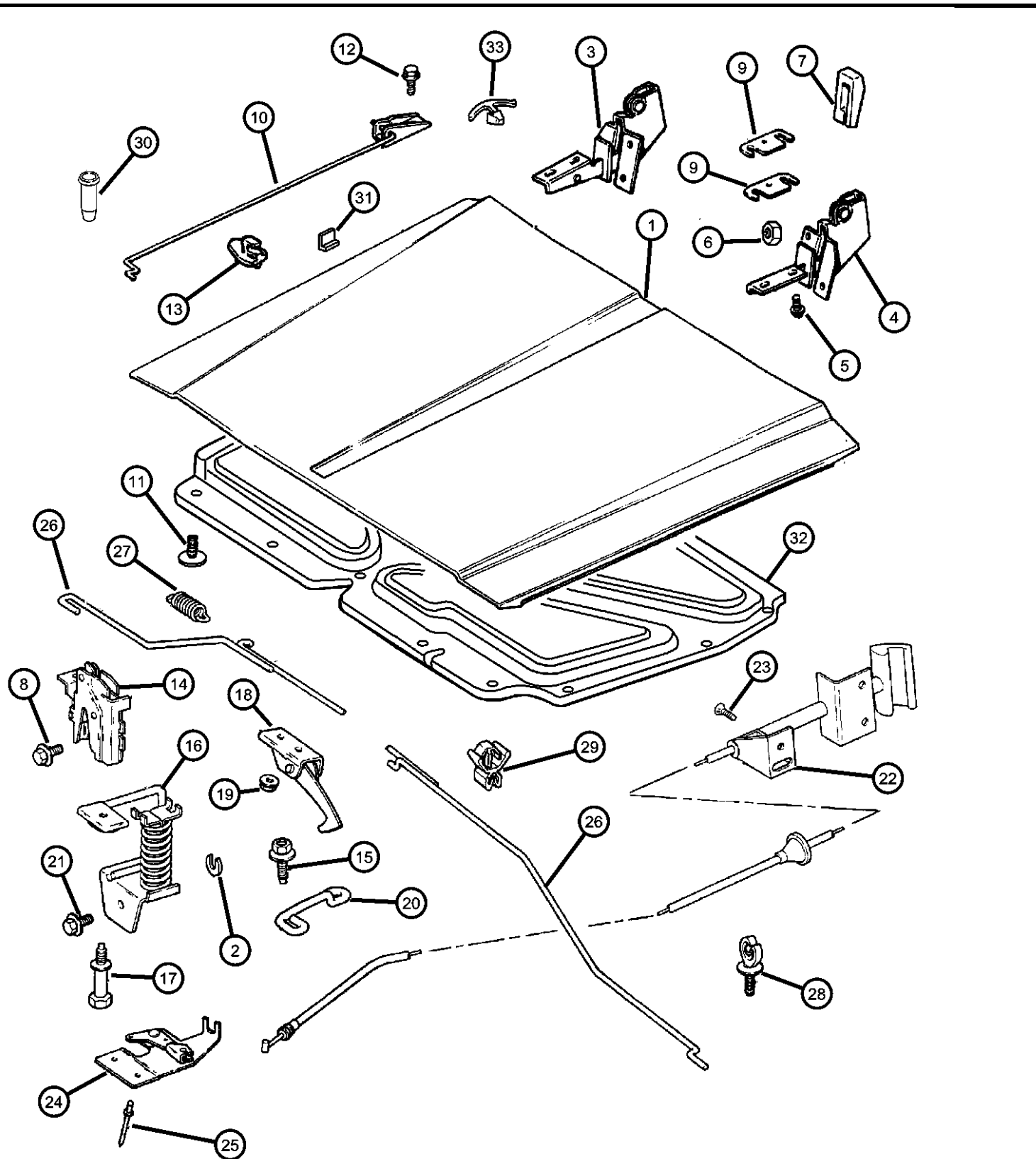
BODY
 72 = 2DR (101.4 WB)
 74 = 4 DR (101.4 WB)

ENGINE TRANSMISSION
 ENC = 2.5L 4 Cyl Turbo Diesel Engine DCB = Transmission - 4-Speed Manual,T3340
 EPE = Engine - 2.5L Power Tech I-4 Cyl. DDQ = 5-Speed Manual Transmission
 ERH = 4.0L Power Tech I-6 Engine DDX = 5-Speed HD Manual Transmission
 ENO = Engines - ALL 4/5 CYL Turbo Diesel DGD = 3-Spd. Automatic 30RH Transmission
 ERO = Engines - All 4.0L 6 Cyl Gas DGK = 4-Spd. Automatic 42RE Transmission
 EPO = ENGINES - ALL 2.5L 4 CYL GAS DGS = 4-Speed Automatic AW4 Transmission
 DGT = 4-Spd. Automatic 46RE Transmission
 DGW = TRANSMISSION - 4-SPD. AUTOMATIC,44RE
 DGX = 4-Speed Automatic Transmission
 DGY = No Description Available
 DGZ = Transmission- 4-Spd. Automatic,MT643
 DBB = ALL MANUAL TRANSMISSIONS
 DGO = TRANSMISSIONS - ALL AUTOMATIC

AR = use ase required - = Non illustrated part

1998 XJ

Hood, Latch and Hinges
Figure SXJ-510



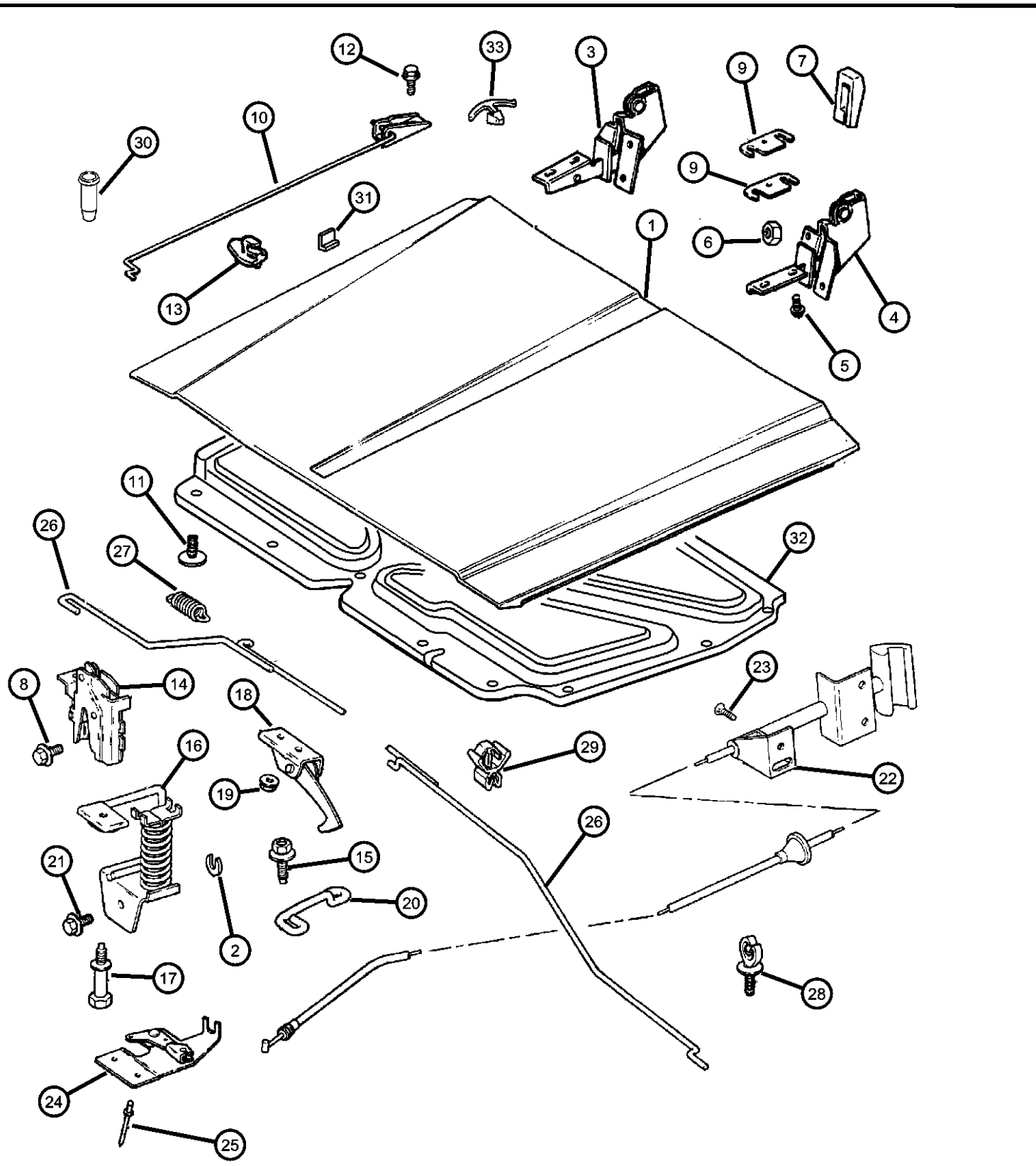
ITEM	PART NUMBER	QTY	LINE	SERIES	BODY	ENGINE	TRANS	TRIM	DESCRIPTION
1	55235439	1							HOOD
2	34202581	AR							SPACER, Hood Latch
3	55235724AB	1							HINGE, HoodRight
4	55235725AC	1							HINGE, HoodLeft
5	06100576	4							SCREW AND WASHER, Hex Head, M8-1.25x30
6	06500284	6							NUT, Hex, M6x1.00
7	55001982	2							SEAL, Hood Hinge
8	34202005	2							SCREW, Pan Head Torx, M6x1x14
9	J0680435	8							SHIM, Hood Hinge
10	55017480	1							ROD, Hood Prop
11									BUMPER, Hood
	04103165	1							Crossmember to Hood Adjust
	J3689548	2							Hood Front Fender Side
12	34201807	2							BOLT, Hex Flange Head, M6x1.00x16
13	55075480	1							CLIP, Prop Rod
14	55235523AC	2							LATCH, Hood
15	06504641	2							SCREW AND WASHER, Button Head Torx
16	55075884AB	2							STRIKER, Hood Latch
17	06503963	2							BOLT AND CONED WASHER, Hex Head, M8x1.25x58.28
18	55009998AB	1							HOOK, Hood Safety Catch
19	34201680	2							NUT, Hex Flange, M6x1

CHEROKEE (XJ)

SERIES	LINE	BODY	ENGINE	TRANSMISSION
L = LOWLINE	B = JEEP - 2WD (RHD) U = JEEP - 4WD (RHD) T = LHD - (2WD) J = JEEP - - LHD (4WD)	72 = 2DR (101.4 WB) 74 = 4 DR (101.4 WB)	ENC = 2.5L 4 Cyl Turbo Diesel Engine EPE = Engine - 2.5L Power Tech I-4 Cyl. ERH = 4.0L Power Tech I-6 Engine ENO = Engines - ALL 4/5 CYL Turbo Diesel ERO = Engines - All 4.0L 6 Cyl Gas EPO = ENGINES - ALL 2.5L 4 CYL GAS	DCB = Transmission - 4-Speed Manual,T3340 DDQ = 5-Speed Manual Transmission DDX = 5-Speed HD Manual Transmission DGD = 3-Spd. Automatic 30RH Transmission DGK = 4-Spd. Automatic 42RE Transmission DGS = 4-Speed Automatic AW4 Transmission DGT = 4-Spd. Automatic 46RE Transmission DGW = TRANSMISSION - 4-SPD. AUTOMATIC,44RE DGX = 4-Speed Automatic Transmission DGY = No Description Available DGZ = Transmission- 4-Spd. Automatic,MT643 DBB = ALL MANUAL TRANSMISSIONS DGO = TRANSMISSIONS - ALL AUTOMATIC

AR = use ase required - = Non illustrated part

Hood, Latch and Hinges
Figure SXJ-510



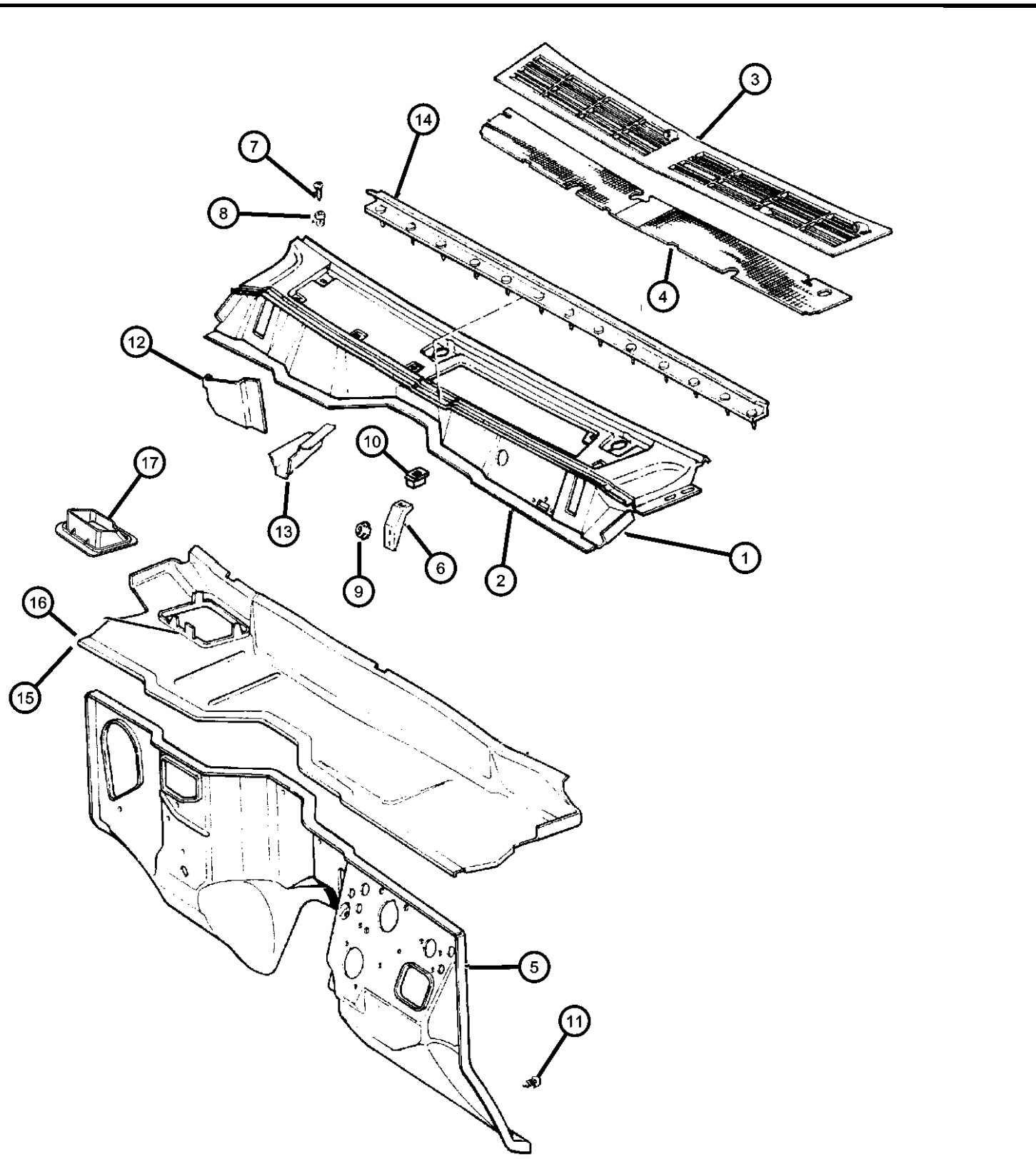
ITEM	PART NUMBER	QTY	LINE	SERIES	BODY	ENGINE	TRANS	TRIM	DESCRIPTION
20	55009999	1							STRIKER, Hood Safety Catch
21	06504641	2							SCREW AND WASHER, Button Head Torx
22									CABLE, Hood Release
	55235270AC	1	B, U						
	55235483AB	1	J, T						
23									SCREW
	06504997AA	3	J, T						
		2	B, U						
24	55074526	1							BELLCRANK, Hood Release
25	34201208	2							RIVET, M4.8x13.23
26	55075442	1							ROD, Hood Latch
27	55029718	1							SPRING, Hood Latch
28									CLIP, Tube
	32000404	1	B, U						
		2	J, T						
29	34202688	2							CLIP, Latch&Line
30	06505175AA	2							NUT, Rivet
31	J3689548	2							BUMPER, Hood, Hood Front Fender Side
32	55217068AC	1							INSULATION, Hood
33	06003351	13							RETAINER, Hood Insulation, .415x.690

CHEROKEE (XJ)

SERIES	LINE	BODY	ENGINE	TRANSMISSION
L = LOWLINE	B = JEEP - 2WD (RHD) U = JEEP - 4WD (RHD) T = LHD - (2WD) J = JEEP - - LHD (4WD)	72 = 2DR (101.4 WB) 74 = 4 DR (101.4 WB)	ENC = 2.5L 4 Cyl Turbo Diesel Engine EPE = Engine - 2.5L Power Tech I-4 Cyl. ERH = 4.0L Power Tech I-6 Engine ENO = Engines - ALL 4/5 CYL Turbo Diesel ERO = Engines - All 4.0L 6 Cyl Gas EPO = ENGINES - ALL 2.5L 4 CYL GAS	DCB = Transmission - 4-Speed Manual,T3340 DDQ = 5-Speed Manual Transmission DDX = 5-Speed HD Manual Transmission DGD = 3-Spd. Automatic 30RH Transmission DGK = 4-Spd. Automatic 42RE Transmission DGS = 4-Speed Automatic AW4 Transmission DGT = 4-Spd. Automatic 46RE Transmission DGW = TRANSMISSION - 4-SPD. AUTOMATIC,44RE DGX = 4-Speed Automatic Transmission DGY = No Description Available DGZ = Transmission- 4-Spd. Automatic,MT643 DBB = ALL MANUAL TRANSMISSIONS DGO = TRANSMISSIONS - ALL AUTOMATIC

AR = use ase required - = Non illustrated part

Panels, Cowl And Dash, L.H.D.
Figure SXJ-610



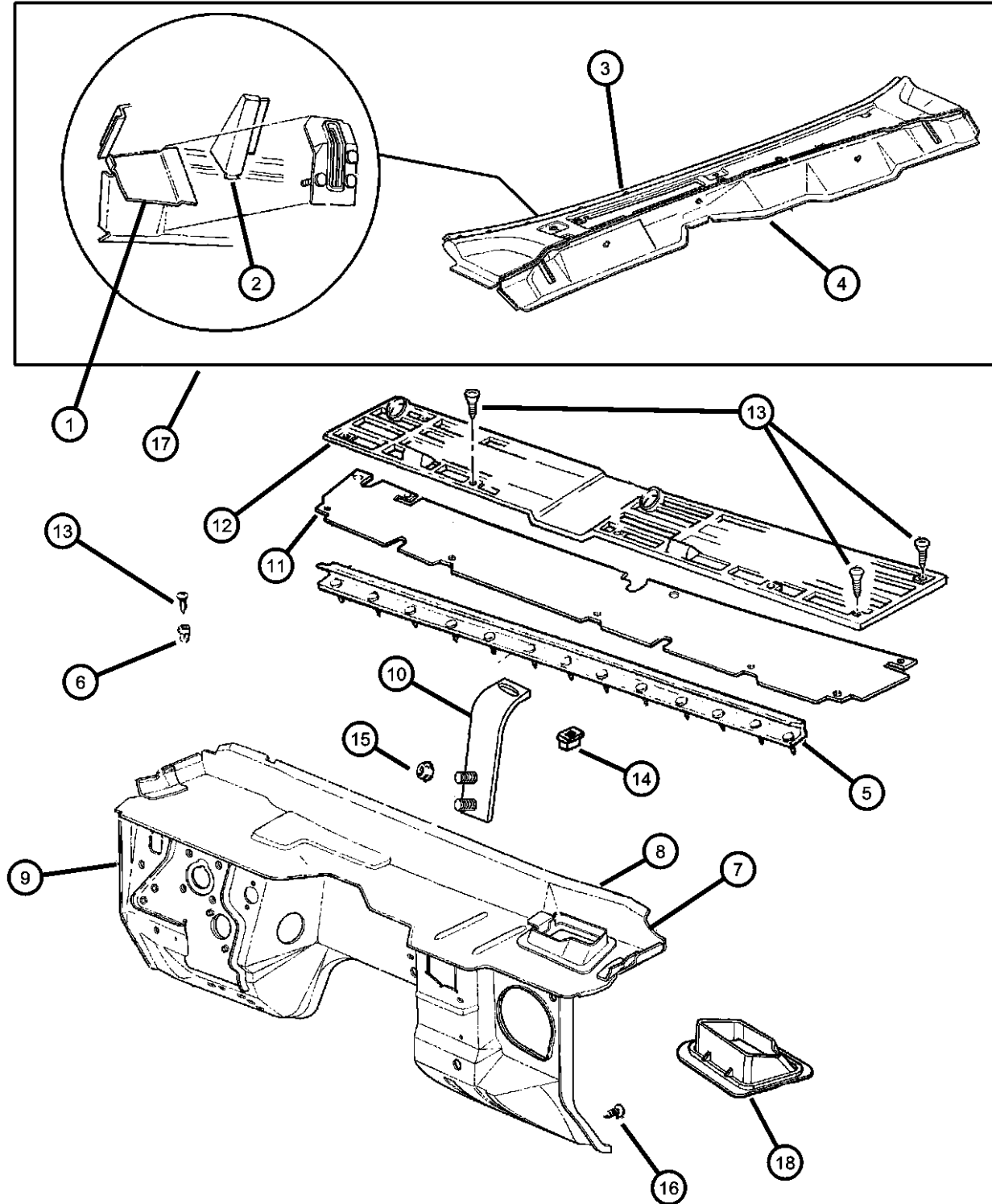
ITEM	PART NUMBER	QTY	LINE	SERIES	BODY	ENGINE	TRANS	TRIM	DESCRIPTION
1	55175386	1	J, T						PANEL, Cowl
2	55175638	1	J, T						EXTENSION, Cowl Top
3	55008832	1	J, T						GRILLE, Cowl Panel
4	55008833	1	J, T						SCREEN, Cowl
5	55175378	1	J, T						PANEL, Dash
6	55235370	1	J, T						BRACKET, Grille To Cowl Extension
7	34201230	7							SCREW, Round Washer Head AB
8	J4005242	5							NUT, Push
9	34201358	2							NUT AND WASHER, Hex Nut-Sealing Washer, M6 x 1.00
10	34201872	1							NUT, Snap In, M4.2 x 1.41
11	06504700	3	J, T						RIVET, Blind Expansion (R-Lok)
12	55006544	1	J, T						SHIELD, Plenum
13	55004918	1	J, T						SHIELD, Cowl
14	55235178	1							SEAL, Hood To Cowl
15	55175964	1	J, T						PANEL, Cowl And Plenum
16	55235387	1	J, T						PANEL, Cowl And Plenum
17	55037128	1	J, T						BAFFLE, Air Inlet

CHEROKEE (XJ)

SERIES	LINE	BODY	ENGINE	TRANSMISSION
L = LOWLINE	B = JEEP - 2WD (RHD) U = JEEP - 4WD (RHD) T = LHD - (2WD) J = JEEP - - LHD (4WD)	72 = 2DR (101.4 WB) 74 = 4 DR (101.4 WB)	ENC = 2.5L 4 Cyl Turbo Diesel Engine EPE = Engine - 2.5L Power Tech I-4 Cyl. ERH = 4.0L Power Tech I-6 Engine ENO = Engines - ALL 4/5 CYL Turbo Diesel ERO = Engines - All 4.0L 6 Cyl Gas EPO = ENGINES - ALL 2.5L 4 CYL GAS	DCB = Transmission - 4-Speed Manual,T3340 DDQ = 5-Speed Manual Transmission DDX = 5-Speed HD Manual Transmission DGD = 3-Spd. Automatic 30RH Transmission DGK = 4-Spd. Automatic 42RE Transmission DGS = 4-Speed Automatic AW4 Transmission DGT = 4-Spd. Automatic 46RE Transmission DGW = TRANSMISSION - 4-SPD. AUTOMATIC,44RE DGX = 4-Speed Automatic Transmission DGY = No Description Available DGZ = Transmission- 4-Spd. Automatic,MT643 DBB = ALL MANUAL TRANSMISSIONS DGO = TRANSMISSIONS - ALL AUTOMATIC

AR = use ase required - = Non illustrated part

**Cowl And Dash Panel, R.H.D.
Figure SXJ-620**



ITEM	PART NUMBER	QTY	LINE	SERIES	BODY	ENGINE	TRANS	TRIM	DESCRIPTION
1	55027542	1	B, U						SHIELD, Plenum
2	55027543	1	B, U						SHIELD, Cowl
3	55175389	1	B, U						PANEL, Cowl Top
4	55175639	1	B, U						EXTENSION, Cowl Top
5	55235178	1							SEAL, Hood To Cowl
6	J4005242	5							NUT, Push
7	55175965	1	B, U						PANEL, Cowl And Plenum, Panel and Cowl Assemble
8	55235388	1	B, U						PANEL, Cowl, Panel Only
9	55175379	1	B, U						PANEL, Dash
10	55235371	1	B, U						BRACKET, Extension to Cowl Top
11	55027697	1	B, U						SCREEN, Cowl
12	55027696	1	B, U						GRILLE, Cowl Panel
13	34201230	7							SCREW, Round Washer Head AB
14	34201872	1							NUT, Snap In, M4.2 x 1.41
15	34201358	2							NUT AND WASHER, Hex Nut-Sealing Washer, M6 x 1.00
16	06504700	3	B, U						RIVET, Blind Expansion (R-Lok)
17	55175387	1	B, U						PANEL, Cowl
18	55037127	1	B, U						DEFLECTOR, Cowl Air Chamber

CHEROKEE (XJ)

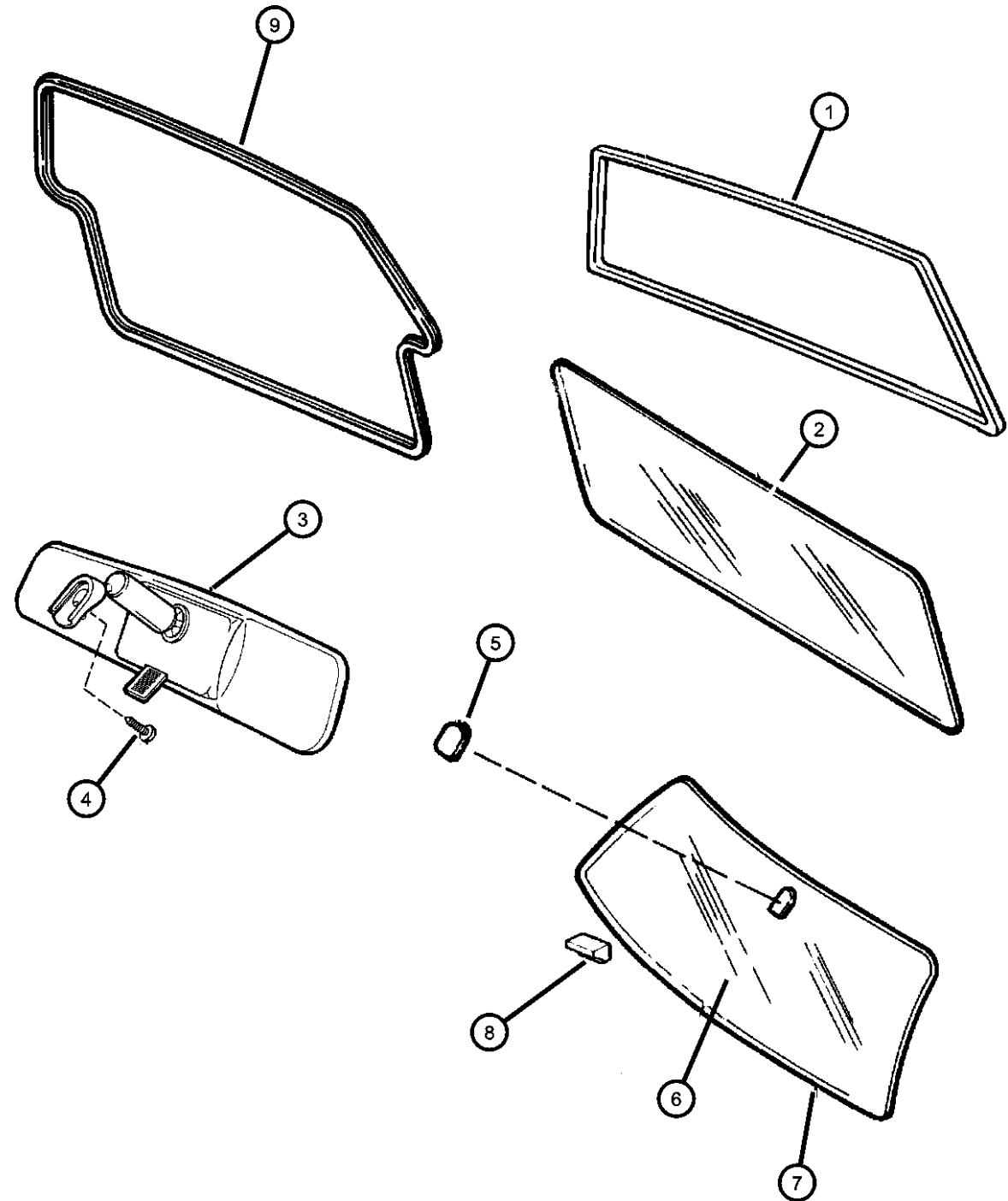
SERIES LINE
 L = LOWLINE B = JEEP - 2WD (RHD)
 U = JEEP - 4WD (RHD)
 T = LHD - (2WD)
 J = JEEP - - LHD (4WD)

BODY
 72 = 2DR (101.4 WB)
 74 = 4 DR (101.4 WB)

ENGINE TRANSMISSION
 ENC = 2.5L 4 Cyl Turbo Diesel Engine DCB = Transmission - 4-Speed Manual,T3340
 EPE = Engine - 2.5L Power Tech I-4 Cyl. DDQ = 5-Speed Manual Transmission
 ERH = 4.0L Power Tech I-6 Engine DDG = 5-Speed HD Manual Transmission
 ENO = Engines - ALL 4/5 CYL Turbo Diesel DGD = 3-Spd. Automatic 30RH Transmission
 ERO = Engines - All 4.0L 6 Cyl Gas DGK = 4-Spd. Automatic 42RE Transmission
 EPO = ENGINES - ALL 2.5L 4 CYL GAS DGS = 4-Speed Automatic AW4 Transmission
 DGT = 4-Spd. Automatic 46RE Transmission
 DGW = TRANSMISSION - 4-SPD. AUTOMATIC,44RE
 DGX = 4-Speed Automatic Transmission
 DGY = No Description Available
 DGZ = Transmission- 4-Spd. Automatic,MT643
 DBB = ALL MANUAL TRANSMISSIONS
 DGO = TRANSMISSIONS - ALL AUTOMATIC

AR = use ase required - = Non illustrated part

**Glass, Windshield, Backlite and Mirror
Figure SXJ-710**



ITEM	PART NUMBER	QTY	LINE	SERIES	BODY	ENGINE	TRANS	TRIM	DESCRIPTION
1	55175366AB	1							MOLDING, Liftgate
2	55174950	1							BACKLITE Tinted
	DB09238GTN								Collision Replacement Glass
	55174951	1							Tint Heated
	55174952	1							Privacy, Heated
	55174952AB	1							Privacy
	55235853AA	1							Collision Replacement Glass
	DB09274YPN								
3	04299325	1							MIRROR, Inside Rear View
4	06031094	1							SCREW, Pan Head Tapping, .19-16x.375
5	04054098	1							BUTTON, Rear View Mirror
6	55154994	1							WINDSHIELD
7	55235391AB	1							MOLDING, Windshield
8	55235796AA	2							SPACER, Windshield
9	55175354AD	1							WEATHERSEAL, Tailgate

CHEROKEE (XJ)

SERIES LINE
 L = LOWLINE B = JEEP - 2WD (RHD)
 U = JEEP - 4WD (RHD)
 T = LHD - (2WD)
 J = JEEP - - LHD (4WD)

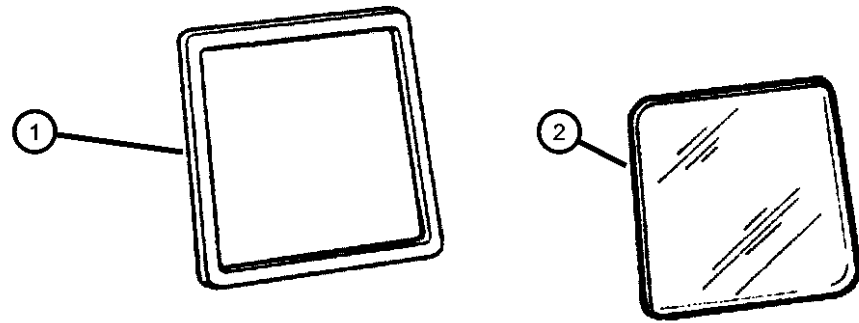
BODY
 72 = 2DR (101.4 WB)
 74 = 4 DR (101.4 WB)

ENGINE TRANSMISSION
 ENC = 2.5L 4 Cyl Turbo Diesel Engine
 EPE = Engine - 2.5L Power Tech I-4 Cyl.
 ERH = 4.0L Power Tech I-6 Engine
 ENO = Engines - ALL 4/5 CYL Turbo Diesel
 ERO = Engines - All 4.0L 6 Cyl Gas
 EPO = ENGINES - ALL 2.5L 4 CYL GAS

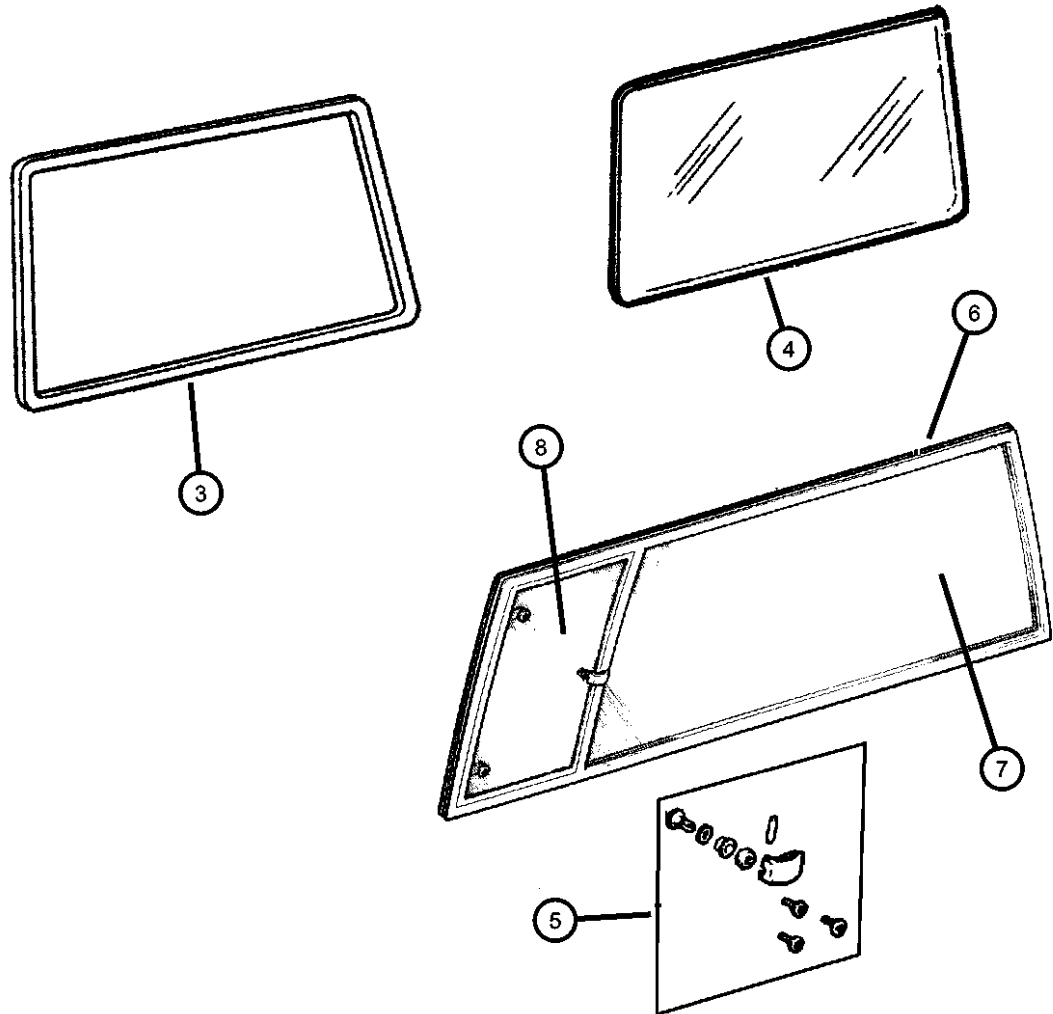
DCB = Transmission - 4-Speed Manual,T3340
 DDQ = 5-Speed Manual Transmission
 DDX = 5-Speed HD Manual Transmission
 DGD = 3-Spd. Automatic 30RH Transmission
 DGK = 4-Spd. Automatic 42RE Transmission
 DGS = 4-Speed Automatic AW4 Transmission
 DGT = 4-Spd. Automatic 46RE Transmission
 DGW = TRANSMISSION - 4-SPD. AUTOMATIC,44RE
 DGX = 4-Speed Automatic Transmission
 DGY = No Description Available
 DGZ = Transmission- 4-Spd. Automatic,MT643
 DBB = ALL MANUAL TRANSMISSIONS
 DGO = TRANSMISSIONS - ALL AUTOMATIC

AR = use ase required - = Non illustrated part

Windows, Quarter, 2 and 4 Doors
Figure SXJ-720



ITEM	PART NUMBER	QTY	LINE	SERIES	BODY	ENGINE	TRANS	TRIM	DESCRIPTION
1	55007128	1			74				SEAL, Quarter Window Right
	55007129	1			74				Left
2	55000700	1			74				GLASS, Quarter Window Tinted, Right
	DQ06607GTN								Collision Replacement Glass
	55000701	1			74				Tinted, Left
	DQ06608GTN								Collision Replacement Glass
	55174998AB	1			74				Privacy, Right
	DQ09425YPN								Collision Replacement Glass
3	55174999AB	1			74				Privacy, Left
	DQ09426YPN								Collision Replacement Glass
4	55235296AB	1	J, T, U		72				SEAL, Quarter Window Right
	55235297AB	1	J, T, U		72				Left
5	55000186	1	J, T, U		72				GLASS, Quarter Window Without Vents, Right
	DQ06595GTN								Collision Replacement Glass
	55000187	1	J, T, U		72				Without Vents, Left
	DQ06596GTN								Collision Replacement Glass
6	05010036AA	1	J, T, U		72				LATCH, Vent Window
6	55134642AB	1	J, T, U		72				GLASS, Quarter Window Privacy, Right



CHEROKEE (XJ)

SERIES

L = LOWLINE

LINE

B = JEEP - 2WD (RHD)
U = JEEP - 4WD (RHD)
T = LHD - (2WD)
J = JEEP - - LHD (4WD)

BODY

72 = 2DR (101.4 WB)
74 = 4 DR (101.4 WB)

ENGINE

ENC = 2.5L 4 Cyl Turbo Diesel Engine
EPE = Engine - 2.5L Power Tech I-4 Cyl.
ERH = 4.0L Power Tech I-6 Engine
ENO = Engines - ALL 4/5 CYL Turbo Diesel
ERO = Engines - All 4.0L 6 Cyl Gas
EPO = ENGINES - ALL 2.5L 4 CYL GAS

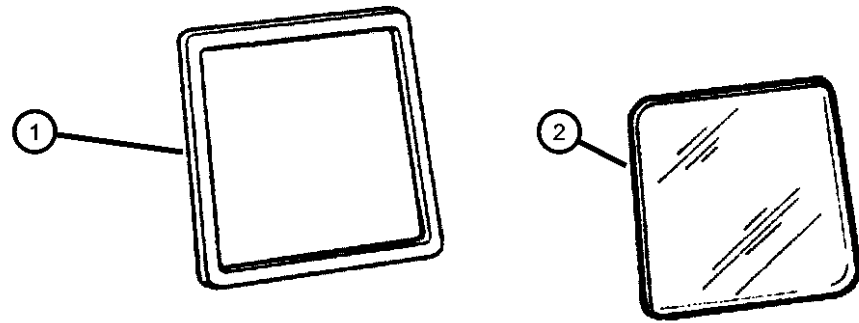
TRANSMISSION

DCB = Transmission - 4-Speed Manual,T3340
DDQ = 5-Speed Manual Transmission
DDX = 5-Speed HD Manual Transmission
DGD = 3-Spd. Automatic 30RH Transmission
DGK = 4-Spd. Automatic 42RE Transmission
DGS = 4-Speed Automatic AW4 Transmission
DGT = 4-Spd. Automatic 46RE Transmission
DGW = TRANSMISSION - 4-SPD. AUTOMATIC,44RE
DGX = 4-Speed Automatic Transmission
DGY = No Description Available
DGZ = Transmission- 4-Spd. Automatic,MT643
DBB = ALL MANUAL TRANSMISSIONS
DGO = TRANSMISSIONS - ALL AUTOMATIC

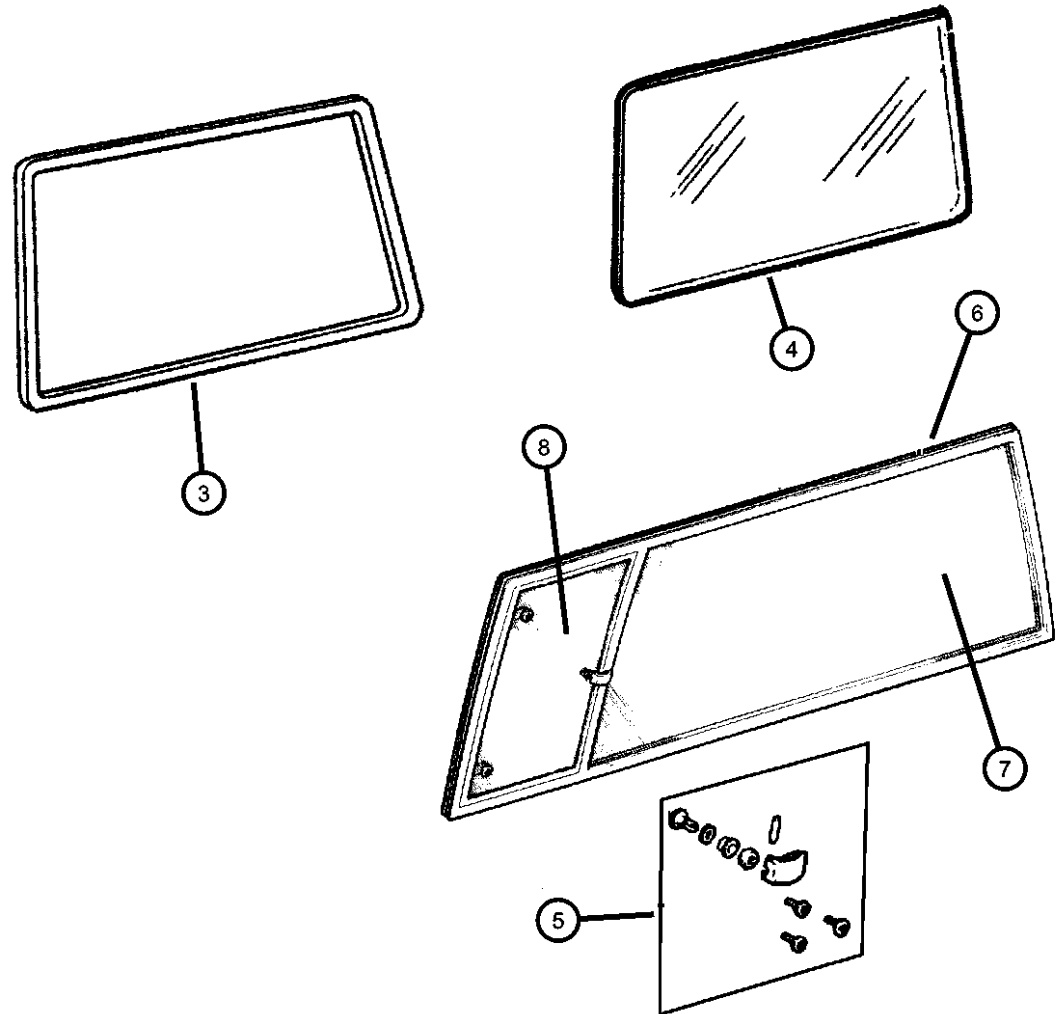
AR = use ase required - = Non illustrated part

1998 XJ

Windows, Quarter, 2 and 4 Doors
Figure SXJ-720



ITEM	PART NUMBER	QTY	LINE	SERIES	BODY	ENGINE	TRANS	TRIM	DESCRIPTION
	DQ08210YPN								Collision Replacement Glass
	55134643AB	1	J, T, U		72				Privacy, Left
	DQ08211YPN								Collision Replacement Glass
7									GLASS, Quarter Window
	04713872	1	J, T, U		72				Privacy, Right
	DQ08208YPY								Collision Replacement Glass
	04713873	1	J, T, U		72				Privacy, Left
	DQ08209YPY								Collision Replacement Glass
8									GLASS, Quarter Vent Window
	55134644	1	J, T, U		72				Privacy, Right
	DQ08206YPN								Collision Replacement Glass
	55134645	1	J, T, U		72				Privacy, Left
	DQ08207YPN								Collision Replacement Glass
-9	04762241	1	J, T, U		72				HINGE, Glass



CHEROKEE (XJ)

SERIES

L = LOWLINE

LINE

B = JEEP - 2WD (RHD)
U = JEEP - 4WD (RHD)
T = LHD - (2WD)
J = JEEP - - LHD (4WD)

BODY

72 = 2DR (101.4 WB)
74 = 4 DR (101.4 WB)

ENGINE

ENC = 2.5L 4 Cyl Turbo Diesel Engine
EPE = Engine - 2.5L Power Tech I-4 Cyl.
ERH = 4.0L Power Tech I-6 Engine
ENO = Engines - ALL 4/5 CYL Turbo Diesel
ERO = Engines - All 4.0L 6 Cyl Gas
EPO = ENGINES - ALL 2.5L 4 CYL GAS

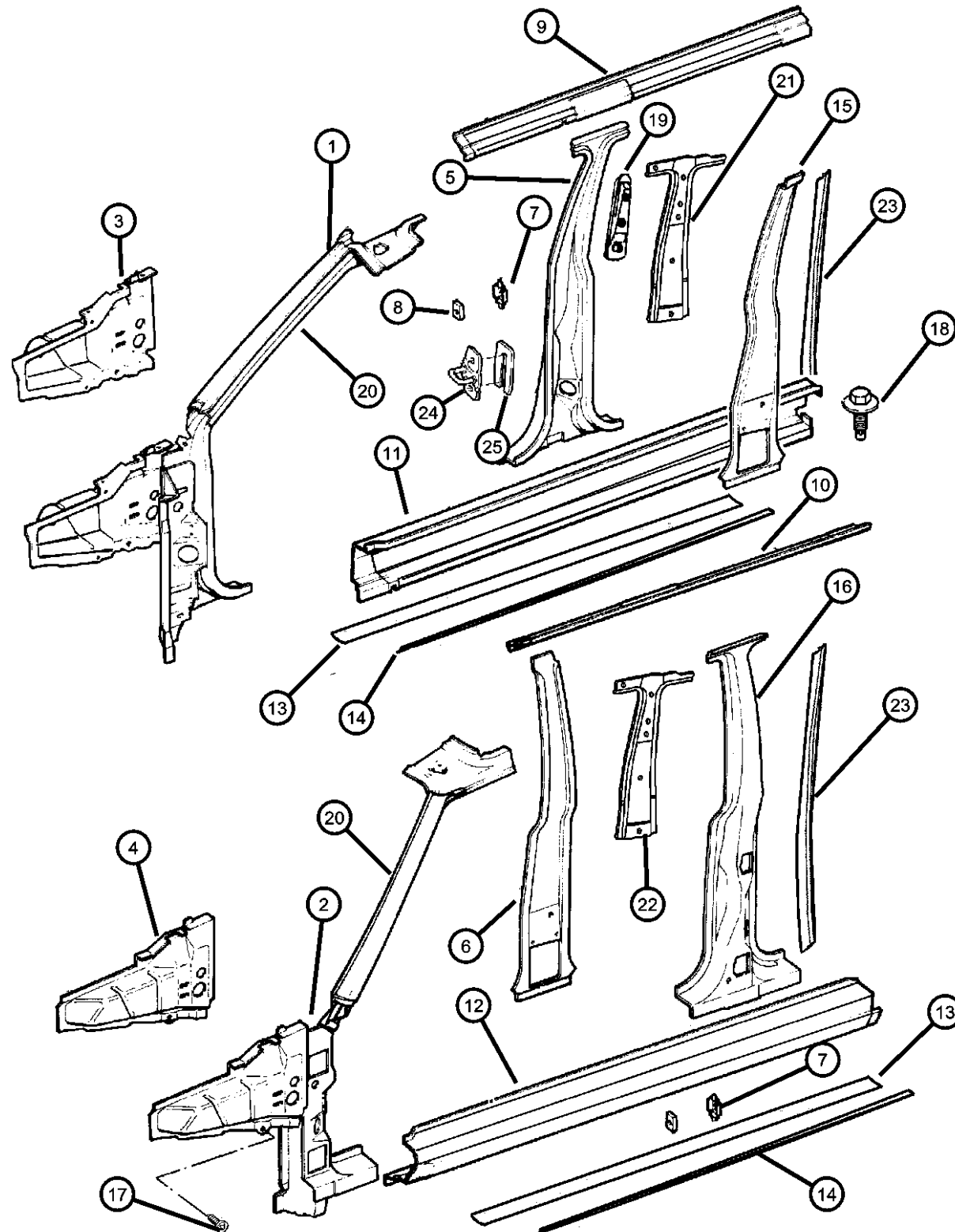
TRANSMISSION

DCB = Transmission - 4-Speed Manual,T3340
DDQ = 5-Speed Manual Transmission
DDX = 5-Speed HD Manual Transmission
DGD = 3-Spd. Automatic 30RH Transmission
DGK = 4-Spd. Automatic 42RE Transmission
DGS = 4-Speed Automatic AW4 Transmission
DGT = 4-Spd. Automatic 46RE Transmission
DGW = TRANSMISSION - 4-SPD. AUTOMATIC,44RE
DGX = 4-Speed Automatic Transmission
DGY = No Description Available
DGZ = Transmission- 4-Spd. Automatic,MT643
DBB = ALL MANUAL TRANSMISSIONS
DGO = TRANSMISSIONS - ALL AUTOMATIC

AR = use ase required - = Non illustrated part

1998 XJ

**Panels, Body Side, 4 Door
Figure SXJ-820**



ITEM	PART NUMBER	QTY	LINE	SERIES	BODY	ENGINE	TRANS	TRIM	DESCRIPTION
1	55235620AB	1			74				PILLAR, FrontRight
2	55235621AB	1			74				PILLAR, FrontLeft
3	55175506AB	1			74				PANEL, Cowl SideRight
4	55175507AB	1			74				PANEL, Cowl SideLeft
5	55235466	1			74				PILLAR, CenterRight
6	55235695AB	1			74				REINFORCEMENT, Center PillarLeft
7	55256174	1			74				RETAINER, Door Lock Striker
8	04674669	2			74				PLATE, Liftgate Striker
9	55235328AB	1			74				RAIL, Roof SideRight
10	55235329AB	1			74				RAIL, Roof SideLeft
11	55235090	1			74				PANEL, Rocker Extension
12	55235091	1			74				PANEL, Rocker Extension
13	55235091	1							TAPE, Anti Chip, (NOT REQUIRED)
14	55235091	1							SEAL, Rocker Panel, (NOT REQUIRED)
15	55235694AB	1			74				REINFORCEMENT, Center PillarRight
16	55235467	1			74				PILLAR, CenterCenter
17									RIVET, Blind Expansion (R-Lok)
	06504700	3	B, U						
		3	J, T						
18	06101455	4							SCREW AND WASHER, Hex Head, M6x1x20
19	55235692	1			74				TAPPING PLATE, Shoulder Belt

CHEROKEE (XJ)

SERIES LINE
 L = LOWLINE B = JEEP - 2WD (RHD)
 U = JEEP - 4WD (RHD)
 T = LHD - (2WD)
 J = JEEP - - LHD (4WD)

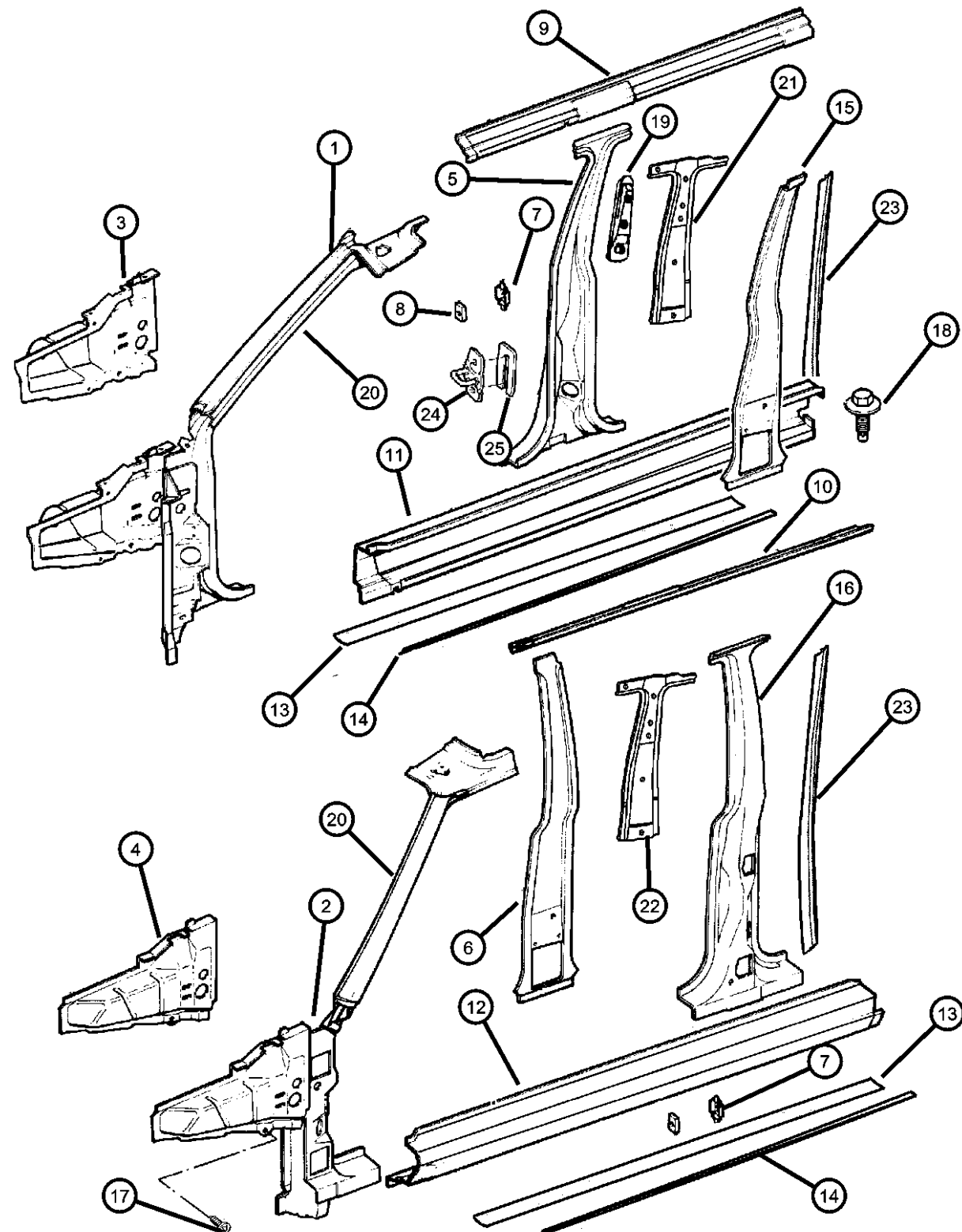
BODY
 72 = 2DR (101.4 WB)
 74 = 4 DR (101.4 WB)

ENGINE TRANSMISSION
 ENC = 2.5L 4 Cyl Turbo Diesel Engine DCB = Transmission - 4-Speed Manual,T3340
 EPE = Engine - 2.5L Power Tech I-4 Cyl. DDQ = 5-Speed Manual Transmission
 ERH = 4.0L Power Tech I-6 Engine DDX = 5-Speed HD Manual Transmission
 ENO = Engines - ALL 4/5 CYL Turbo Diesel DGD = 3-Spd. Automatic 30RH Transmission
 ERO = Engines - All 4.0L 6 Cyl Gas DGK = 4-Spd. Automatic 42RE Transmission
 EP0 = ENGINES - ALL 2.5L 4 CYL GAS DGS = 4-Speed Automatic AW4 Transmission
 DGT = 4-Spd. Automatic 46RE Transmission
 DGW = TRANSMISSION - 4-SPD. AUTOMATIC,44RE
 DGX = 4-Speed Automatic Transmission
 DGY = No Description Available
 DGZ = Transmission- 4-Spd. Automatic,MT643
 DBB = ALL MANUAL TRANSMISSIONS
 DG0 = TRANSMISSIONS - ALL AUTOMATIC

AR = use ase required - = Non illustrated part

1998 XJ

**Panels, Body Side, 4 Door
Figure SXJ-820**



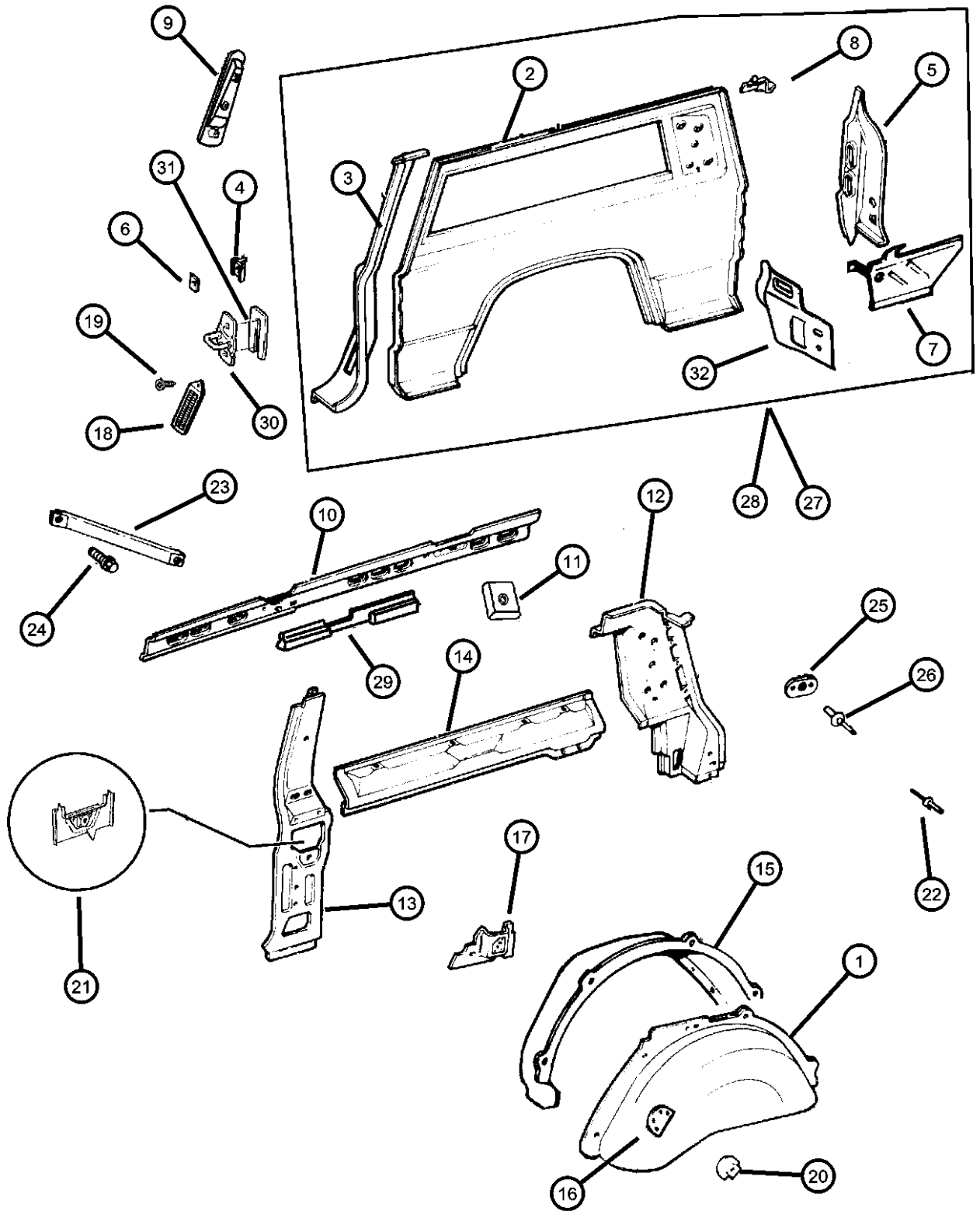
ITEM	PART NUMBER	QTY	LINE	SERIES	BODY	ENGINE	TRANS	TRIM	DESCRIPTION
20	55235640AB	1			74				REINFORCEMENT, Front Pillar Right
	55235641AB	1	J, T, U		72				Left
21	55235288	1			74				REINFORCEMENT, Seat BeltRight
22	55235289AB	1			74				REINFORCEMENT, Seat BeltLeft
23	55235791AB	2			74				WEATHERSTRIP, B Pillar Secondary
24	04520288	2			74				STRIKER, Door Latch
25	04520289	AR							SPACER, Door Latch Striker
	55075483	AR			74				2.0/2.5 Thick

CHEROKEE (XJ)

SERIES	LINE	BODY	ENGINE	TRANSMISSION
L = LOWLINE	B = JEEP - 2WD (RHD) U = JEEP - 4WD (RHD) T = LHD - (2WD) J = JEEP - - LHD (4WD)	72 = 2DR (101.4 WB) 74 = 4 DR (101.4 WB)	ENC = 2.5L 4 Cyl Turbo Diesel Engine EPE = Engine - 2.5L Power Tech I-4 Cyl. ERH = 4.0L Power Tech I-6 Engine ENO = Engines - ALL 4/5 CYL Turbo Diesel ERO = Engines - All 4.0L 6 Cyl Gas EPO = ENGINES - ALL 2.5L 4 CYL GAS	DCB = Transmission - 4-Speed Manual,T3340 DDQ = 5-Speed Manual Transmission DDX = 5-Speed HD Manual Transmission DGD = 3-Spd. Automatic 30RH Transmission DGK = 4-Spd. Automatic 42RE Transmission DGS = 4-Speed Automatic AW4 Transmission DGT = 4-Spd. Automatic 46RE Transmission DGW = TRANSMISSION - 4-SPD. AUTOMATIC,44RE DGX = 4-Speed Automatic Transmission DGY = No Description Available DGZ = Transmission- 4-Spd. Automatic,MT643 DBB = ALL MANUAL TRANSMISSIONS DGO = TRANSMISSIONS - ALL AUTOMATIC

AR = use ase required - = Non illustrated part

**Panels, Rear Quarter, 2 Door
Figure SXJ-910**



ITEM	PART NUMBER	QTY	LINE	SERIES	BODY	ENGINE	TRANS	TRIM	DESCRIPTION
1	55000147	1	J, T, U		72				WHEELHOUSE, Rear Inner Left
	55027694	1	J, T, U		72				Right
2	55235426	1	J, T, U		72				PANEL, Quarter Right
	55235427	1	J, T, U		72				Left
3	55175674	1	J, T, U		72				PILLAR, Rear Cargo Door Lock Right
	55175675	1	J, T, U		72				Left
4	04674669	1	J, T, U		72				PLATE, Liftgate Striker
5	55235510	1	J, T, U		72				PANEL, Taillamp Mounting Right
	55235511	1	J, T, U		72				Left
6	04520288	2							STRIKER, Door Latch
7	55175960	1	J, T, U		72				EXTENSION, Rear Floor Pan Right
	55175961	1	J, T, U		72				Left
8	55176082	1	J, T, U		72				EXTENSION, Quarter Panel Right
	55176083	1	J, T, U		72				Left
9	55235692	1	J, T, U		72				TAPPING PLATE, Shoulder Belt
10	55235846AA	1	J, T, U		72				RAIL, Roof Side Right

CHEROKEE (XJ)

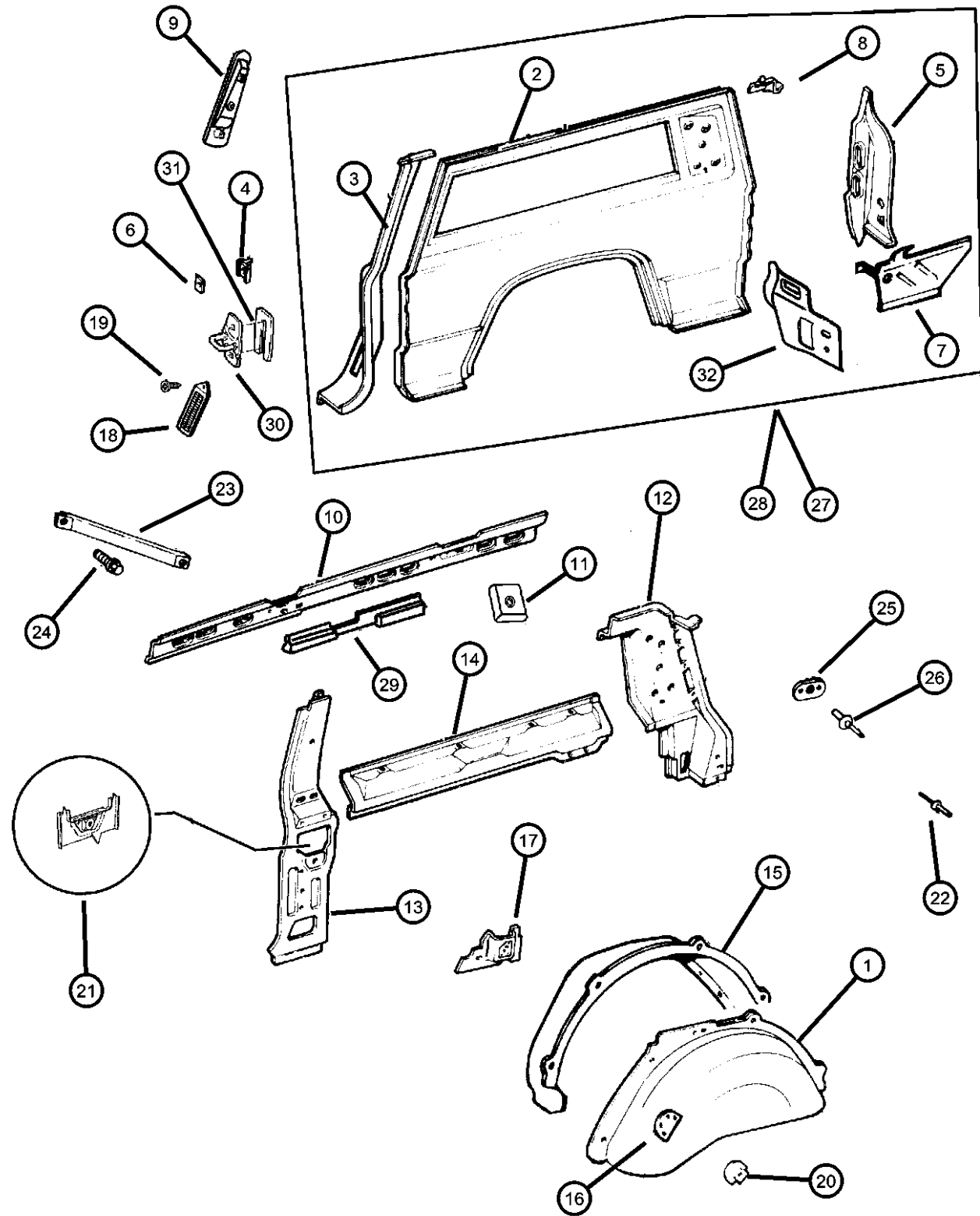
SERIES LINE
 L = LOWLINE B = JEEP - 2WD (RHD)
 U = JEEP - 4WD (RHD)
 T = LHD - (2WD)
 J = JEEP - - LHD (4WD)

BODY
 72 = 2DR (101.4 WB)
 74 = 4 DR (101.4 WB)

ENGINE TRANSMISSION
 ENC = 2.5L 4 Cyl Turbo Diesel Engine DCB = Transmission - 4-Speed Manual,T3340
 EPE = Engine - 2.5L Power Tech I-4 Cyl. DDQ = 5-Speed Manual Transmission
 ERH = 4.0L Power Tech I-6 Engine DDG = 5-Speed HD Manual Transmission
 ENO = Engines - ALL 4/5 CYL Turbo Diesel DGD = 3-Spd. Automatic 30RH Transmission
 ERO = Engines - All 4.0L 6 Cyl Gas DGK = 4-Spd. Automatic 42RE Transmission
 EPO = ENGINES - ALL 2.5L 4 CYL GAS DGS = 4-Speed Automatic AW4 Transmission
 DGT = 4-Spd. Automatic 46RE Transmission
 DGW = TRANSMISSION - 4-SPD. AUTOMATIC,44RE
 DGX = 4-Speed Automatic Transmission
 DGY = No Description Available
 DGZ = Transmission- 4-Spd. Automatic,MT643
 DBB = ALL MANUAL TRANSMISSIONS
 DGO = TRANSMISSIONS - ALL AUTOMATIC

AR = use ase required - = Non illustrated part

**Panels, Rear Quarter, 2 Door
Figure SXJ-910**



ITEM	PART NUMBER	QTY	LINE	SERIES	BODY	ENGINE	TRANS	TRIM	DESCRIPTION
	55235847AA	1	J, T, U		72				Left
11	04490111	1	J, T, U		72				TAPPING PLATE
12									PILLAR, Liftgate Opening
	55176094	1	J, T, U		72				Right
	55176095	1	J, T, U		72				Left
13									REINFORCEMENT, Body Lock Pillar
	55345808AB	1	J, T, U		72				Right
	55345809AB	1	J, T, U		72				Left
14									RAIL, Rear Quarter Belt
	55235382AB	1	J, T, U		72				Right
	55344583AB	1	J, T, U		72				Left
15									WHEELHOUSE, Rear Outer
	55235346	1	J, T, U		72				Right
	55235347	1	J, T, U		72				Left
16	55026758	1	J, T, U		72				DOUBLER, Wheelhouse
17									BRACKET, Seat
	55001270	1	J, T, U		72				Right
	55001271	1	J, T, U		72				Left
18	55001980	2							EXHAUSTER, Quarter Panel
19	55001980	2							SCREW, .164-18x.437, (NOT SERVICED)
20	55001231	1	J, T, U		72				BRACKET, Seat

CHEROKEE (XJ)

SERIES LINE
 L = LOWLINE B = JEEP - 2WD (RHD)
 U = JEEP - 4WD (RHD)
 T = LHD - (2WD)
 J = JEEP - - LHD (4WD)

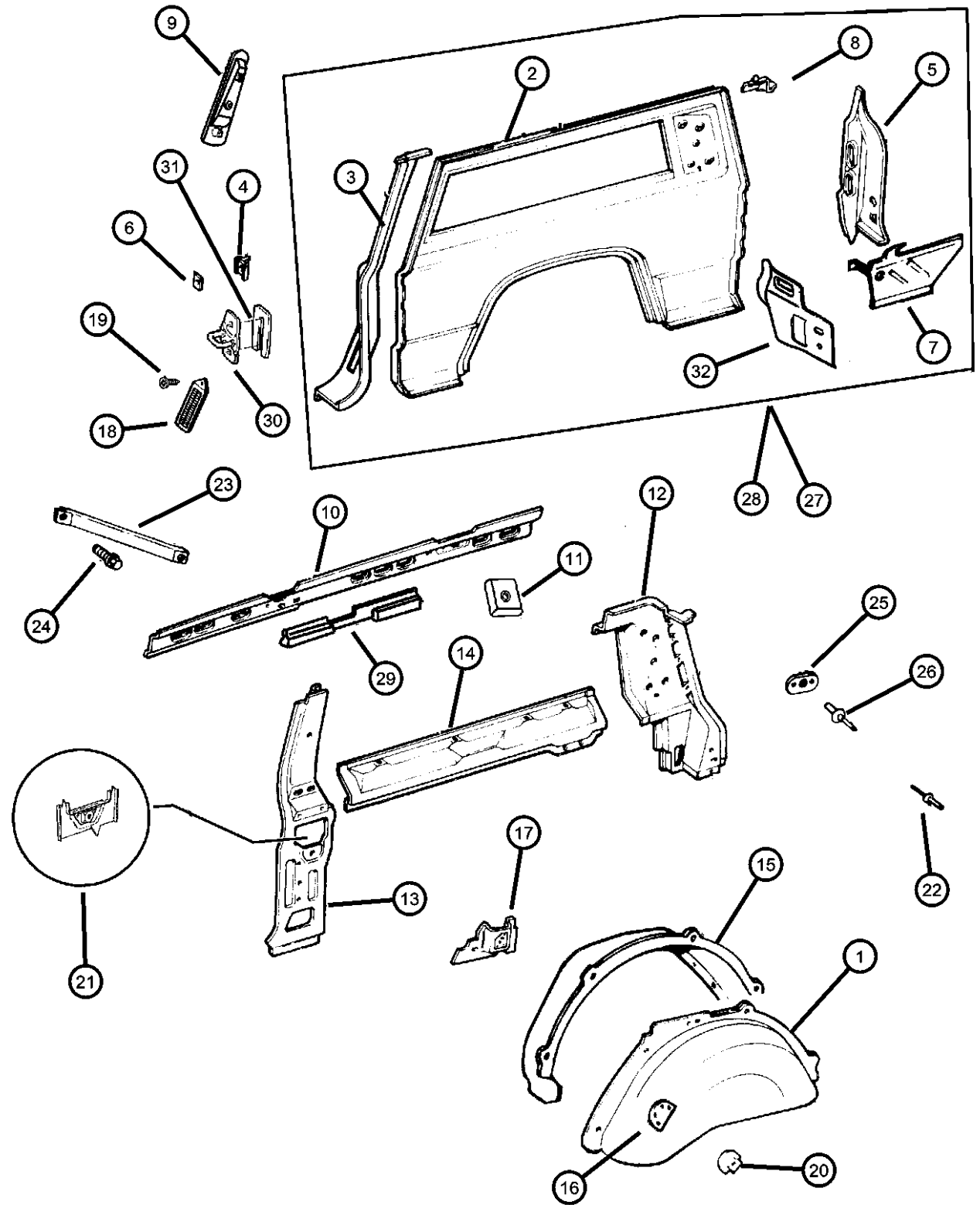
BODY
 72 = 2DR (101.4 WB)
 74 = 4 DR (101.4 WB)

ENGINE TRANSMISSION
 ENC = 2.5L 4 Cyl Turbo Diesel Engine DCB = Transmission - 4-Speed Manual,T3340
 EPE = Engine - 2.5L Power Tech I-4 Cyl. DDQ = 5-Speed Manual Transmission
 ERH = 4.0L Power Tech I-6 Engine DDX = 5-Speed HD Manual Transmission
 DGD = 3-Spd. Automatic 30RH Transmission
 ENO = Engines - ALL 4/5 CYL Turbo Diesel DGK = 4-Spd. Automatic 42RE Transmission
 ERO = Engines - All 4.0L 6 Cyl Gas DGS = 4-Speed Automatic AW4 Transmission
 EPO = ENGINES - ALL 2.5L 4 CYL GAS DGT = 4-Spd. Automatic 46RE Transmission
 DGW = TRANSMISSION - 4-SPD. AUTOMATIC,44RE
 DGX = 4-Speed Automatic Transmission
 DGY = No Description Available
 DGZ = Transmission- 4-Spd. Automatic,MT643
 DBB = ALL MANUAL TRANSMISSIONS
 DGO = TRANSMISSIONS - ALL AUTOMATIC

AR = use ase required - = Non illustrated part

1998 XJ

**Panels, Rear Quarter, 2 Door
Figure SXJ-910**



ITEM	PART NUMBER	QTY	LINE	SERIES	BODY	ENGINE	TRANS	TRIM	DESCRIPTION
21	55345291	1	J, T, U		72				BRACKET, Seat Belt Retractor
22	34201032	2	J, T, U		72				RIVET, M4x12 Aluminum
23	55006218	2	J, T, U		72				BRACE, Door Lock
24	34202036	4	J, T, U		72				SCREW, Hex Head, M8x1.25x25
25	04490111	1	J, T, U		72				TAPPING PLATE
26	34201197	2							RIVET, Blind, M3.17x10.00
27	55235606	1	J, T, U		72				PANEL, Rear BodyRight
28	55235607	1	J, T, U		72				PANEL, Body SideLeft
29	55006988	1	J, T, U		72				REINFORCEMENT
30	04520288	2							STRIKER, Door Latch
31	55075483	AR							SPACER, Door Latch Striker
32									REINFORCEMENT, Rear Corner Panel
	55235600	1	J, T, U		72				Right
	55235601	1	J, T, U		72				Left

CHEROKEE (XJ)

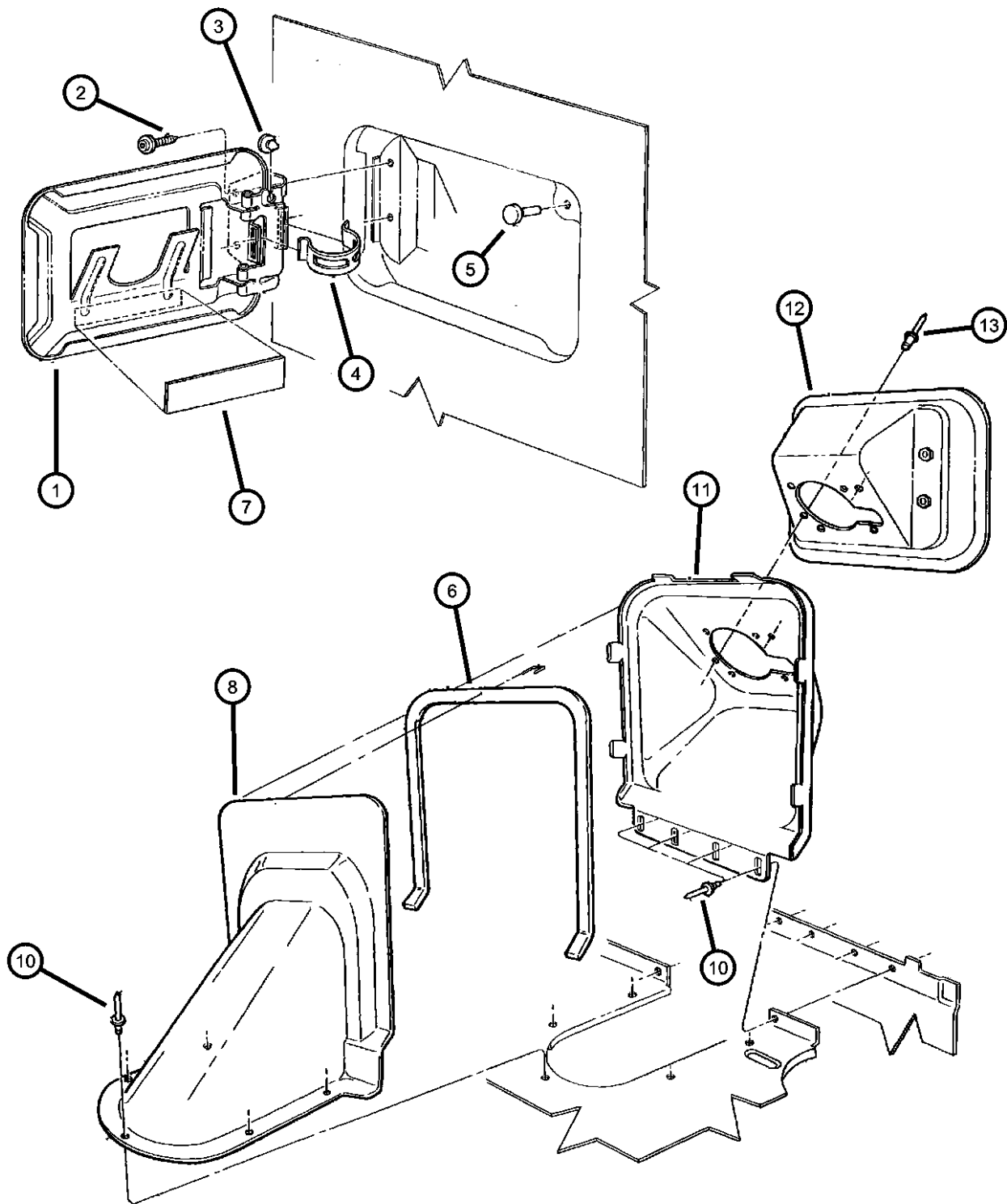
SERIES LINE
 L = LOWLINE B = JEEP - 2WD (RHD)
 U = JEEP - 4WD (RHD)
 T = LHD - (2WD)
 J = JEEP - - LHD (4WD)

BODY
 72 = 2DR (101.4 WB)
 74 = 4 DR (101.4 WB)

ENGINE TRANSMISSION
 ENC = 2.5L 4 Cyl Turbo Diesel Engine DCB = Transmission - 4-Speed Manual,T3340
 EPE = Engine - 2.5L Power Tech I-4 Cyl. DDQ = 5-Speed Manual Transmission
 ERH = 4.0L Power Tech I-6 Engine DDG = 5-Speed HD Manual Transmission
 ENO = Engines - ALL 4/5 CYL Turbo Diesel DGD = 3-Spd. Automatic 30RH Transmission
 ERO = Engines - All 4.0L 6 Cyl Gas DGK = 4-Spd. Automatic 42RE Transmission
 EPO = ENGINES - ALL 2.5L 4 CYL GAS DGS = 4-Speed Automatic AW4 Transmission
 DGT = 4-Spd. Automatic 46RE Transmission
 DGW = TRANSMISSION - 4-SPD. AUTOMATIC,44RE
 DGX = 4-Speed Automatic Transmission
 DGY = No Description Available
 DGZ = Transmission- 4-Spd. Automatic,MT643
 DBB = ALL MANUAL TRANSMISSIONS
 DGO = TRANSMISSIONS - ALL AUTOMATIC

AR = use ase required - = Non illustrated part

Fuel Filler Housing & Door
Figure SXJ-920



ITEM	PART NUMBER	QTY	LINE	SERIES	BODY	ENGINE	TRANS	TRIM	DESCRIPTION
1	55000819AB	1							DOOR, Fuel Fill
2	34202399	2							SCREW AND WASHER, Round Head, M6x1x16
3	J0635787	1							BUMPER, Fuel Door
4	55004206	1							SPRING, Fuel Filler Door
5	34201812	1							BUMPER, Fuel Door
6	55345178	1							SEAL, Fuel Filler Flange
7									LABEL, Fuel
	J3696394	1	J, T, U						
	J5464900	1							
8	55345623	1							HOUSING, Fuel Filler
-9	55345178	1							SEAL, Fuel Filler Flange
10	34201208	5							RIVET, M4.8x13.23
11	55235533AC	1							EXTENSION, Fuel Filler Housing
12									HOUSING, Fuel Filler
	52100230AC	1	J, T, U		72				
		1			74				
13	34201684	2							RIVET, M3.18x2.37

CHEROKEE (XJ)

SERIES

L = LOWLINE

LINE

B = JEEP - 2WD (RHD)
U = JEEP - 4WD (RHD)
T = LHD - (2WD)
J = JEEP - - LHD (4WD)

BODY

72 = 2DR (101.4 WB)
74 = 4 DR (101.4 WB)

ENGINE

ENC = 2.5L 4 Cyl Turbo Diesel Engine
EPE = Engine - 2.5L Power Tech I-4 Cyl.
ERH = 4.0L Power Tech I-6 Engine
ENO = Engines - ALL 4/5 CYL Turbo Diesel
ERO = Engines - All 4.0L 6 Cyl Gas
EPO = ENGINES - ALL 2.5L 4 CYL GAS

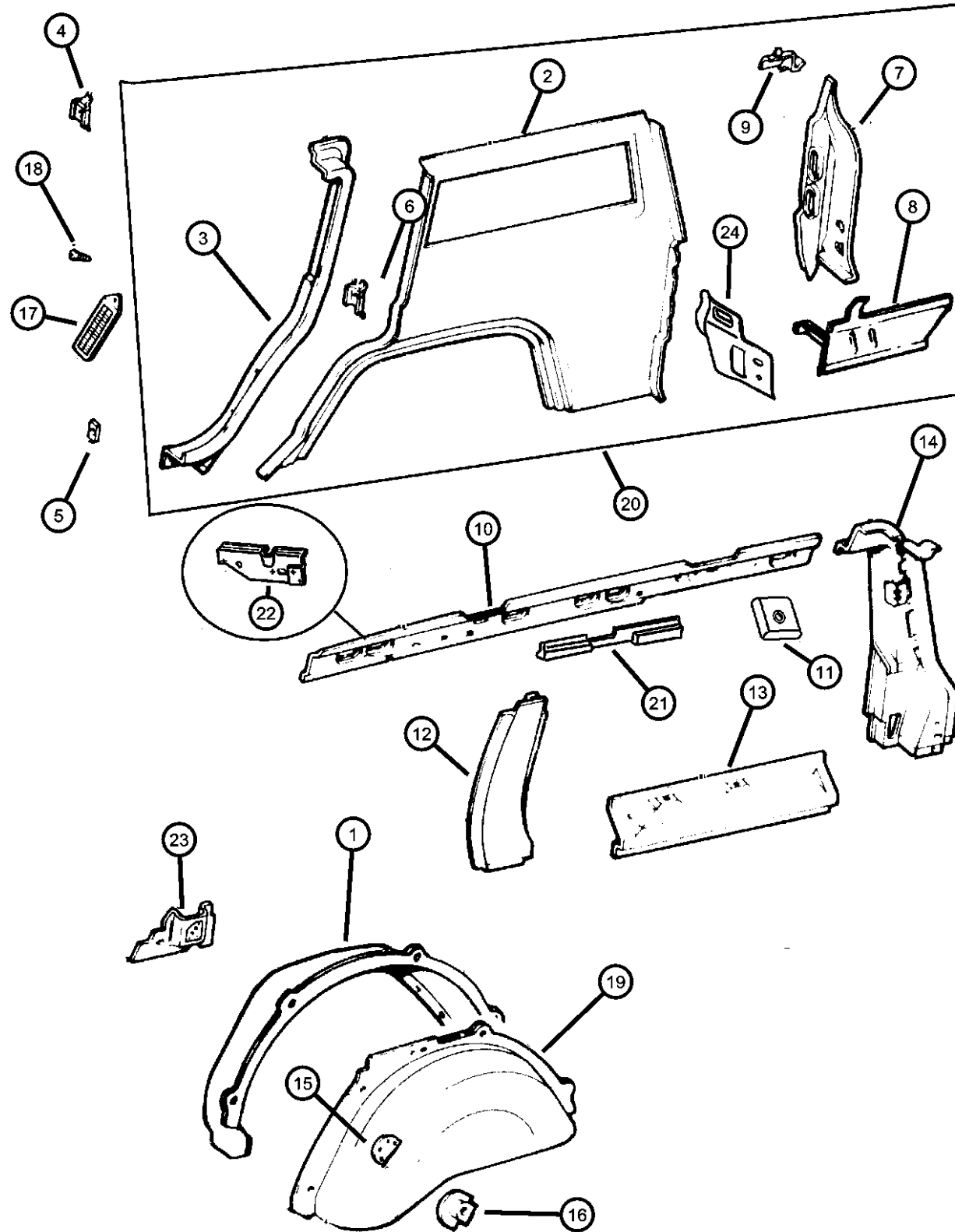
TRANSMISSION

DCB = Transmission - 4-Speed Manual,T3340
DDQ = 5-Speed Manual Transmission
DDX = 5-Speed HD Manual Transmission
DGD = 3-Spd. Automatic 30RH Transmission
DGK = 4-Spd. Automatic 42RE Transmission
DGS = 4-Speed Automatic AW4 Transmission
DGT = 4-Spd. Automatic 46RE Transmission
DGW = TRANSMISSION - 4-SPD. AUTOMATIC,44RE
DGX = 4-Speed Automatic Transmission
DGY = No Description Available
DGZ = Transmission- 4-Spd. Automatic,MT643
DBB = ALL MANUAL TRANSMISSIONS
DGO = TRANSMISSIONS - ALL AUTOMATIC

AR = use ase required - = Non illustrated part

1998 XJ

Panels, Rear Quarter, 4 Door
Figure SXJ-930



ITEM	PART NUMBER	QTY	LINE	SERIES	BODY	ENGINE	TRANS	TRIM	DESCRIPTION
1									WHEELHOUSE, Rear Outer
	55235346	1			74				Right
	55235347	1			74				Left
2									PANEL, Quarter
	55235424	1			74				Right
	55235425	1			74				Left
3									PILLAR, Front Door Lock
	55175672	1			74				Right
	55175673	1			74				Left
4	04674669	2			74				PLATE, Liftgate Striker
5	04520288	2							STRIKER, Door Latch
6	55256174	1			74				RETAINER, Door Lock Striker
7									PANEL, Taillamp Mounting
	55235510	1			74				Right
	55235511	1			74				Left
8									EXTENSION, Rear Floor Pan
	55175960	1			74				Right
	55175961	1			74				Left
9									EXTENSION, Quarter Panel
	55176084	1			74				Right
	55176085	1			74				Left
10									RAIL, Roof Side
	55235332AB	1			74				Right

CHEROKEE (XJ)

SERIES LINE
 L = LOWLINE B = JEEP - 2WD (RHD)
 U = JEEP - 4WD (RHD)
 T = LHD - (2WD)
 J = JEEP - - LHD (4WD)

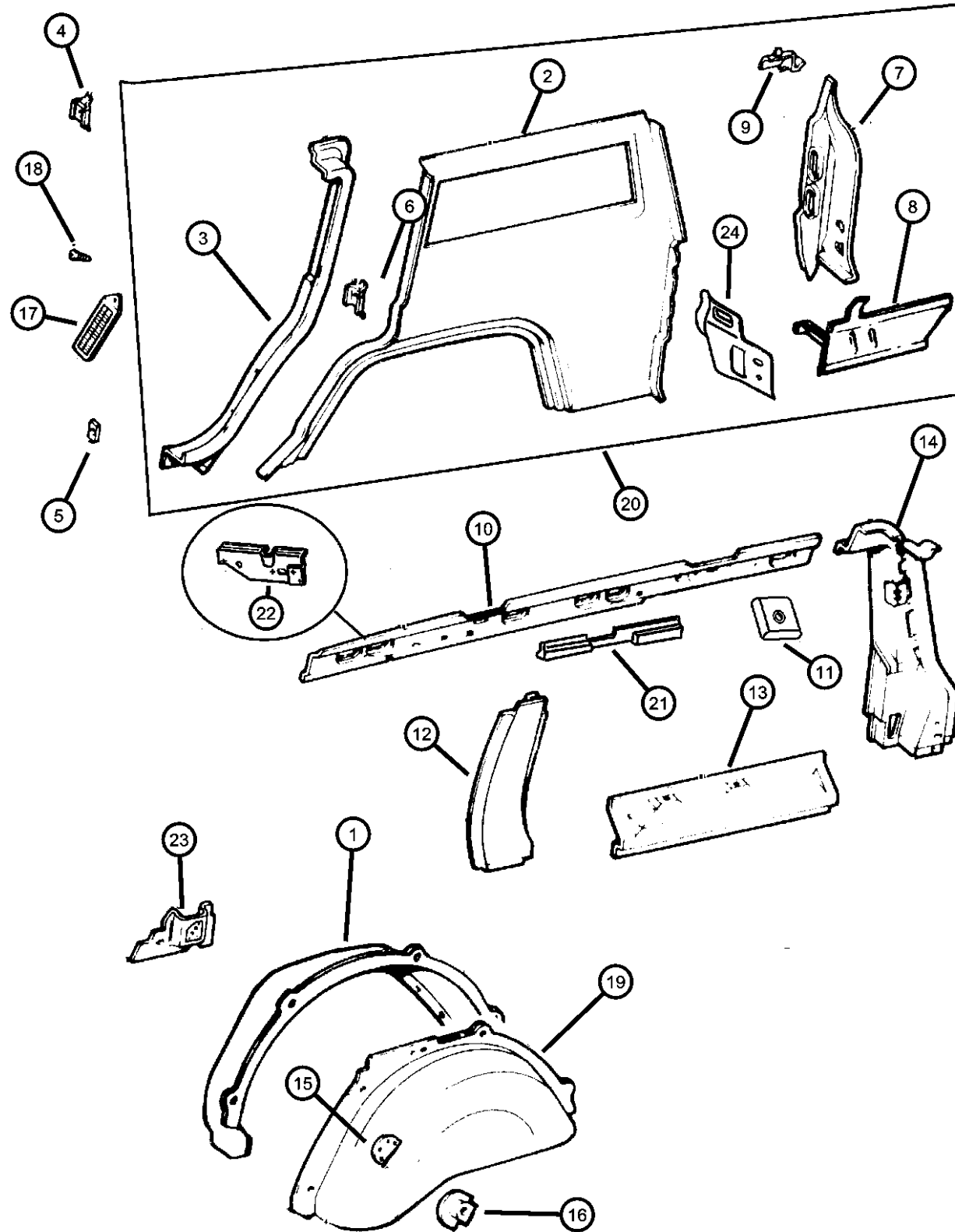
BODY
 72 = 2DR (101.4 WB)
 74 = 4 DR (101.4 WB)

ENGINE TRANSMISSION
 ENC = 2.5L 4 Cyl Turbo Diesel Engine
 EPE = Engine - 2.5L Power Tech I-4 Cyl.
 ERH = 4.0L Power Tech I-6 Engine
 ENO = Engines - ALL 4/5 CYL Turbo Diesel
 ERO = Engines - All 4.0L 6 Cyl Gas
 EPO = ENGINES - ALL 2.5L 4 CYL GAS
 DCB = Transmission - 4-Speed Manual, T3340
 DDQ = 5-Speed Manual Transmission
 DDX = 5-Speed HD Manual Transmission
 DGD = 3-Spd. Automatic 30RH Transmission
 DGK = 4-Spd. Automatic 42RE Transmission
 DGS = 4-Speed Automatic AW4 Transmission
 DGT = 4-Spd. Automatic 46RE Transmission
 DGW = TRANSMISSION - 4-SPD. AUTOMATIC, 44RE
 DGX = 4-Speed Automatic Transmission
 DGY = No Description Available
 DGZ = Transmission- 4-Spd. Automatic, MT643
 DBB = ALL MANUAL TRANSMISSIONS
 DGO = TRANSMISSIONS - ALL AUTOMATIC

AR = use ase required - = Non illustrated part

1998 XJ

Panels, Rear Quarter, 4 Door
Figure SXJ-930



ITEM	PART NUMBER	QTY	LINE	SERIES	BODY	ENGINE	TRANS	TRIM	DESCRIPTION
	55235333AB	1			74				Left
11	04490111	1			74				TAPPING PLATE
12									REINFORCEMENT, Body Lock Pillar
	55235792AA	1			74				Right
	55235793AA	1			74				Left
13									RAIL, Rear Quarter Belt
	55235794AA	1			74				Right
	55235795AA	1			74				Left
14									PILLAR, Liftgate Opening
	55176096	1			74				Right
	55176097	1			74				Left
15	55026758	1			74				DOUBLER, Wheelhouse
16	55001231	1			74				BRACKET, Seat
17	55001980	2							EXHAUSTER, Quarter Panel
18	55001980	2							SCREW, .164-18x.437, (NOT SERVICED)
19									WHEELHOUSE, Rear Inner
	55000147	1			74				Left
	55027694	1			74				Right
20									PANEL, Quarter
	55235604	1			74				Right
	55235605	1			74				Left

CHEROKEE (XJ)

SERIES

L = LOWLINE
B = JEEP - 2WD (RHD)
U = JEEP - 4WD (RHD)
T = LHD - (2WD)
J = JEEP - - LHD (4WD)

LINE

BODY

72 = 2DR (101.4 WB)
74 = 4 DR (101.4 WB)

ENGINE

ENC = 2.5L 4 Cyl Turbo Diesel Engine
EPE = Engine - 2.5L Power Tech I-4 Cyl.
ERH = 4.0L Power Tech I-6 Engine
ENO = Engines - ALL 4/5 CYL Turbo Diesel
ERO = Engines - All 4.0L 6 Cyl Gas
EPO = ENGINES - ALL 2.5L 4 CYL GAS

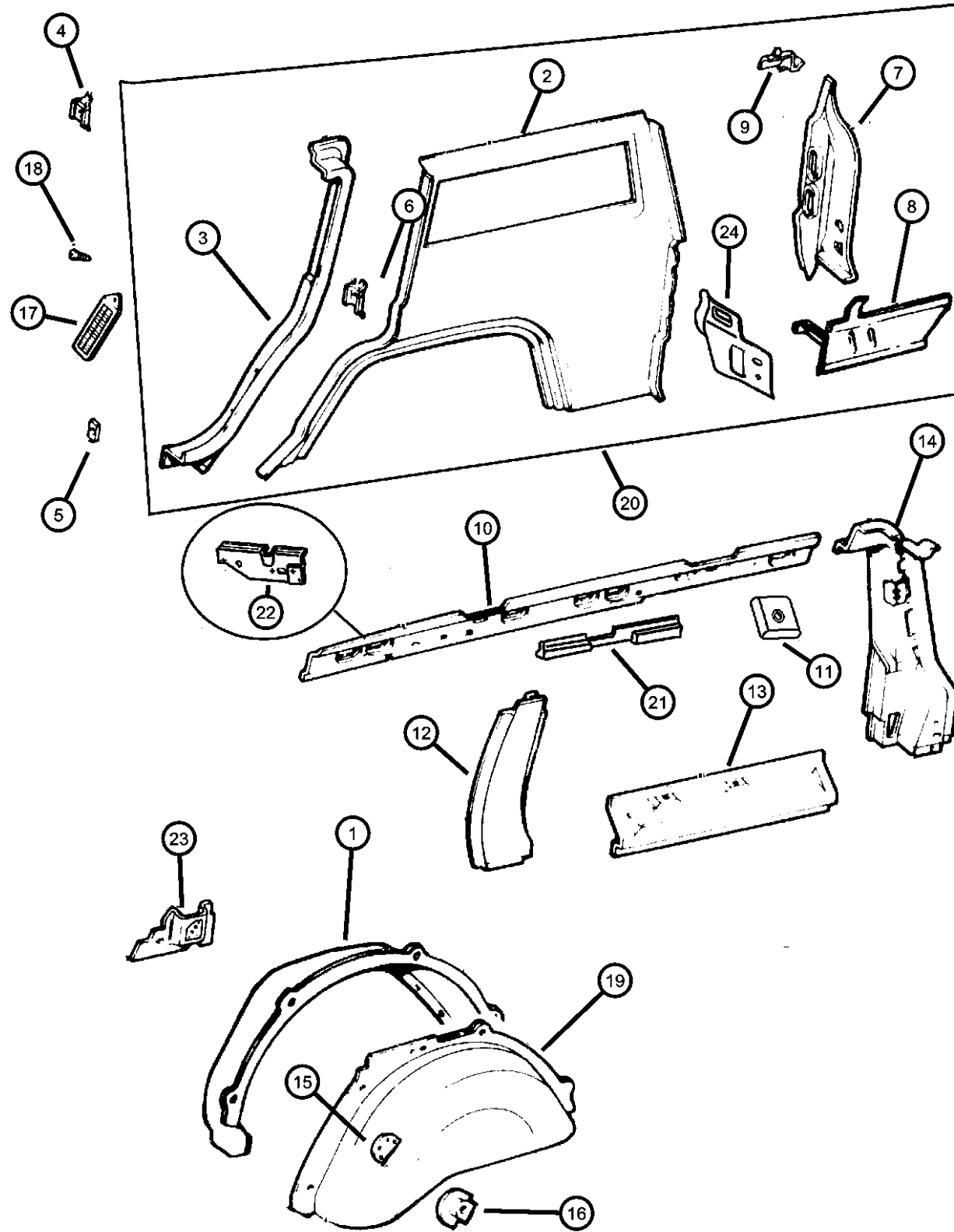
TRANSMISSION

DCB = Transmission - 4-Speed Manual, T3340
DDQ = 5-Speed Manual Transmission
DDX = 5-Speed HD Manual Transmission
DGD = 3-Spd. Automatic 30RH Transmission
DGK = 4-Spd. Automatic 42RE Transmission
DGS = 4-Speed Automatic AW4 Transmission
DGT = 4-Spd. Automatic 46RE Transmission
DGW = TRANSMISSION - 4-SPD. AUTOMATIC, 44RE
DGX = 4-Speed Automatic Transmission
DGY = No Description Available
DGZ = Transmission- 4-Spd. Automatic, MT643
DBB = ALL MANUAL TRANSMISSIONS
DGO = TRANSMISSIONS - ALL AUTOMATIC

AR = use ase required - = Non illustrated part

1998 XJ

Panels, Rear Quarter, 4 Door
Figure SXJ-930



ITEM	PART NUMBER	QTY	LINE	SERIES	BODY	ENGINE	TRANS	TRIM	DESCRIPTION
21	55006988	2			74				REINFORCEMENT
22	55235602	1			74				REINFORCEMENT Right
	55235603	1			74				Left
23	55001270	1			74				BRACKET, Seat Right
	55001271	1			74				Left
24	55235600	1			74				REINFORCEMENT, Rear Corner Panel Right
	55235601	1			74				Left

CHEROKEE (XJ)

SERIES

L = LOWLINE
B = JEEP - 2WD (RHD)
U = JEEP - 4WD (RHD)
T = LHD - (2WD)
J = JEEP - - LHD (4WD)

LINE

BODY

72 = 2DR (101.4 WB)
74 = 4 DR (101.4 WB)

ENGINE

ENC = 2.5L 4 Cyl Turbo Diesel Engine
EPE = Engine - 2.5L Power Tech I-4 Cyl.
ERH = 4.0L Power Tech I-6 Engine
ENO = Engines - ALL 4/5 CYL Turbo Diesel
ERO = Engines - All 4.0L 6 Cyl Gas
EPO = ENGINES - ALL 2.5L 4 CYL GAS

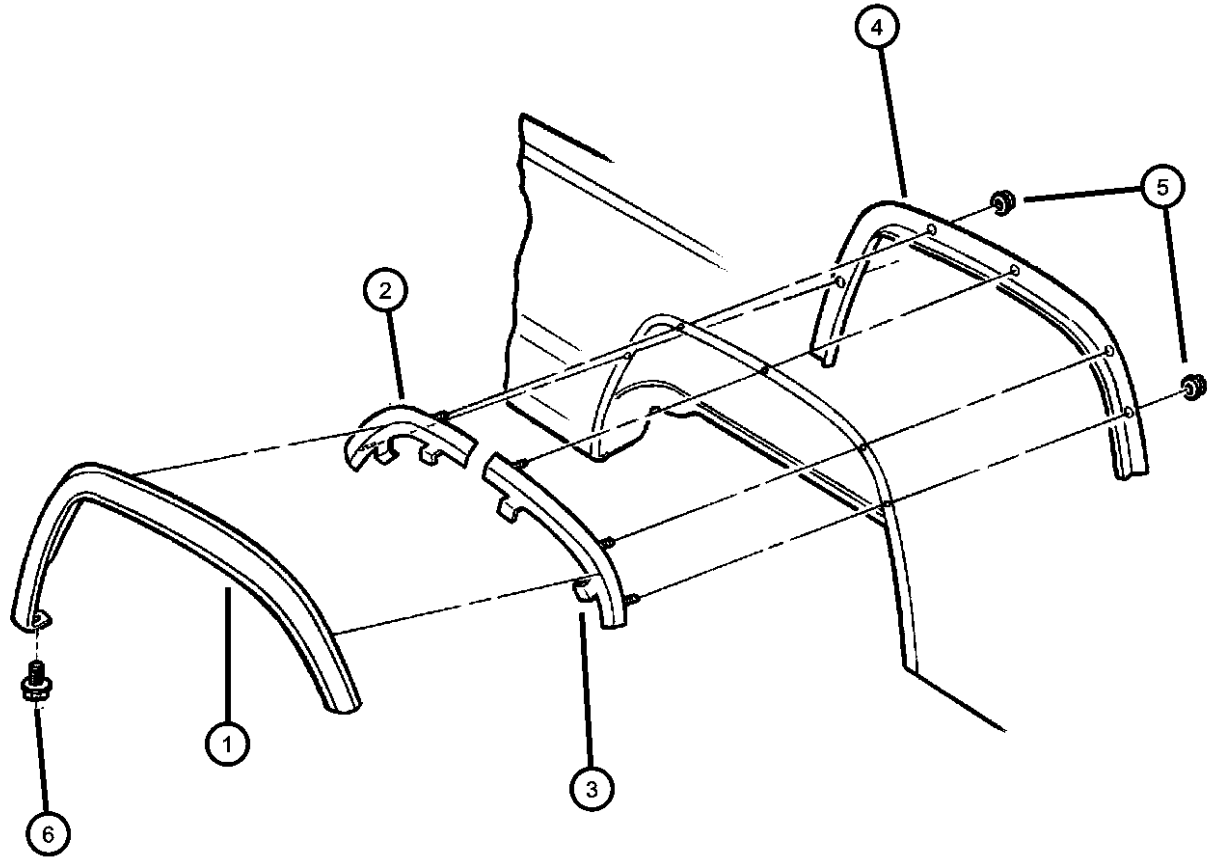
TRANSMISSION

DCB = Transmission - 4-Speed Manual, T3340
DDQ = 5-Speed Manual Transmission
DDX = 5-Speed HD Manual Transmission
DGD = 3-Spd. Automatic 30RH Transmission
DGK = 4-Spd. Automatic 42RE Transmission
DGS = 4-Speed Automatic AW4 Transmission
DGT = 4-Spd. Automatic 46RE Transmission
DGW = TRANSMISSION - 4-SPD. AUTOMATIC, 44RE
DGX = 4-Speed Automatic Transmission
DGY = No Description Available
DGZ = Transmission- 4-Spd. Automatic, MT643
DBB = ALL MANUAL TRANSMISSIONS
DGO = TRANSMISSIONS - ALL AUTOMATIC

AR = use ase required - = Non illustrated part

1998 XJ

**Appliques, Rear Quarter Panel
Figure SXJ-940**



ITEM	PART NUMBER	QTY	LINE	SERIES	BODY	ENGINE	TRANS	TRIM	DESCRIPTION
1									APPLIQUE, Fender Wheel Opening
	5FW74DX8AC	1							Glossy Black, Right
	5FW74PR4AC	1							Red, Right
	5FW74RJNAC	1							Moss Green, Right
	5FW74SW1AC	1							White, Right
	5FW74TC-NAC	1							Deep Amethyst, Right
	5FW74TQ7AC	1							Gunmetal Pearl, Right
	5FW74VEAAC	1							Chilli Pepper Red, Right
	5FW75DX8AC	1							Glossy Black, Left
	5FW75PR4AC	1							Red, Left
	5FW75RJNAC	1							Moss Green, Left
	5FW75SW1AC	1							White, Left
	5FW75TC-NAC	1							Deep Amethyst, Left
	5FW75TQ7AC	1							Gunmetal Pearl, Left
	5FW75VEAAC	1							Chilli Pepper Red, Left
	5FW76DX9AC	1							Flat Black, Right
	5FW77DX9AC	1							Flat Black, Left
2									RETAINER, Applique
	55155678AB	1							Right
	55155679AB	1							Left
3									RETAINER, Applique
	55155680AB	1							Right

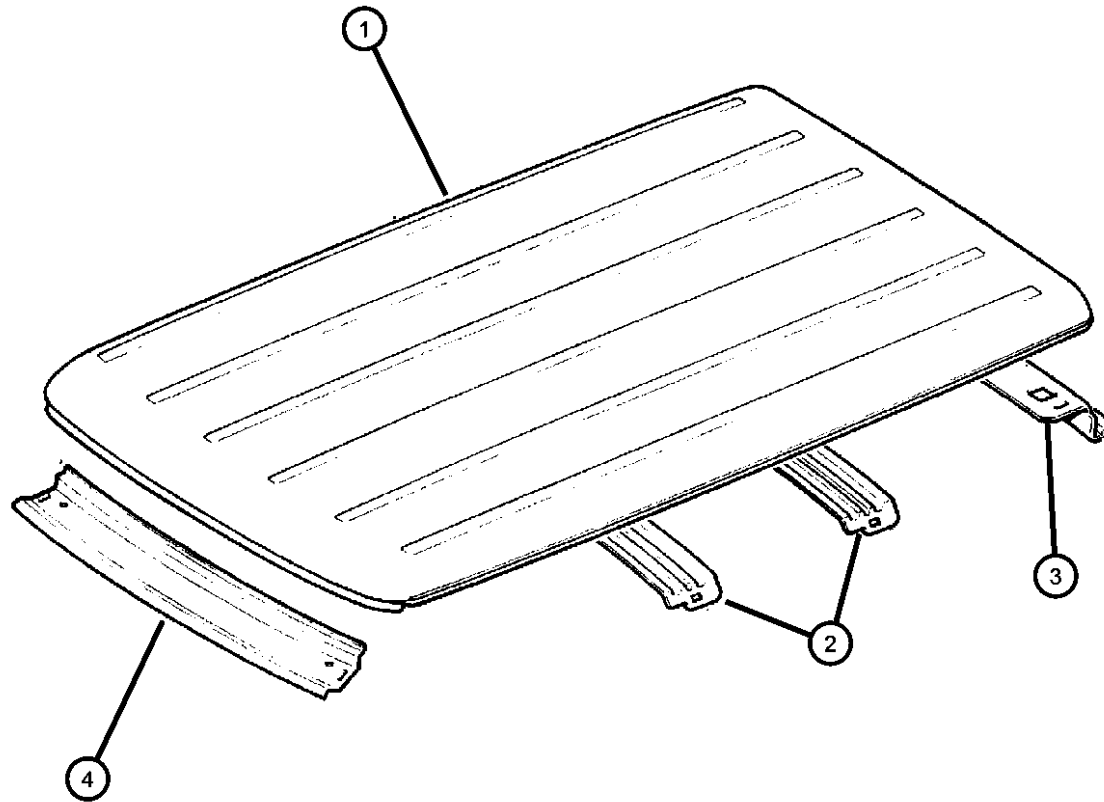
CHEROKEE (XJ)

SERIES	LINE	BODY	ENGINE	TRANSMISSION
L = LOWLINE	B = JEEP - 2WD (RHD) U = JEEP - 4WD (RHD) T = LHD - (2WD) J = JEEP - - LHD (4WD)	72 = 2DR (101.4 WB) 74 = 4 DR (101.4 WB)	ENC = 2.5L 4 Cyl Turbo Diesel Engine EPE = Engine - 2.5L Power Tech I-4 Cyl. ERH = 4.0L Power Tech I-6 Engine ENO = Engines - ALL 4/5 CYL Turbo Diesel ERO = Engines - All 4.0L 6 Cyl Gas EPO = ENGINES - ALL 2.5L 4 CYL GAS	DCB = Transmission - 4-Speed Manual,T3340 DDQ = 5-Speed Manual Transmission DDX = 5-Speed HD Manual Transmission DGD = 3-Spd. Automatic 30RH Transmission DGK = 4-Spd. Automatic 42RE Transmission DGS = 4-Speed Automatic AW4 Transmission DGT = 4-Spd. Automatic 46RE Transmission DGW = TRANSMISSION - 4-SPD. AUTOMATIC,44RE DGX = 4-Speed Automatic Transmission DGY = No Description Available DGZ = Transmission- 4-Spd. Automatic,MT643 DBB = ALL MANUAL TRANSMISSIONS DGO = TRANSMISSIONS - ALL AUTOMATIC

AR = use ase required - = Non illustrated part

**Roof Panel
Figure SXJ-1110**

ITEM	PART NUMBER	QTY	LINE	SERIES	BODY	ENGINE	TRANS	TRIM	DESCRIPTION
1	55175121	1							PANEL, Roof With [MWG] Roof Rack
	55175156	1							Without [MWG] Roof Rack
2	55000138	2							SUPPORT, Roof
3									PANEL, Liftgate Opening
	55176168	1	B, U						
	55176169	1	J, T						
4	55235339	1							HEADER, Windshield



CHEROKEE (XJ)

SERIES

L = LOWLINE

LINE

B = JEEP - 2WD (RHD)
 U = JEEP - 4WD (RHD)
 T = LHD - (2WD)
 J = JEEP - - LHD (4WD)

BODY

72 = 2DR (101.4 WB)
 74 = 4 DR (101.4 WB)

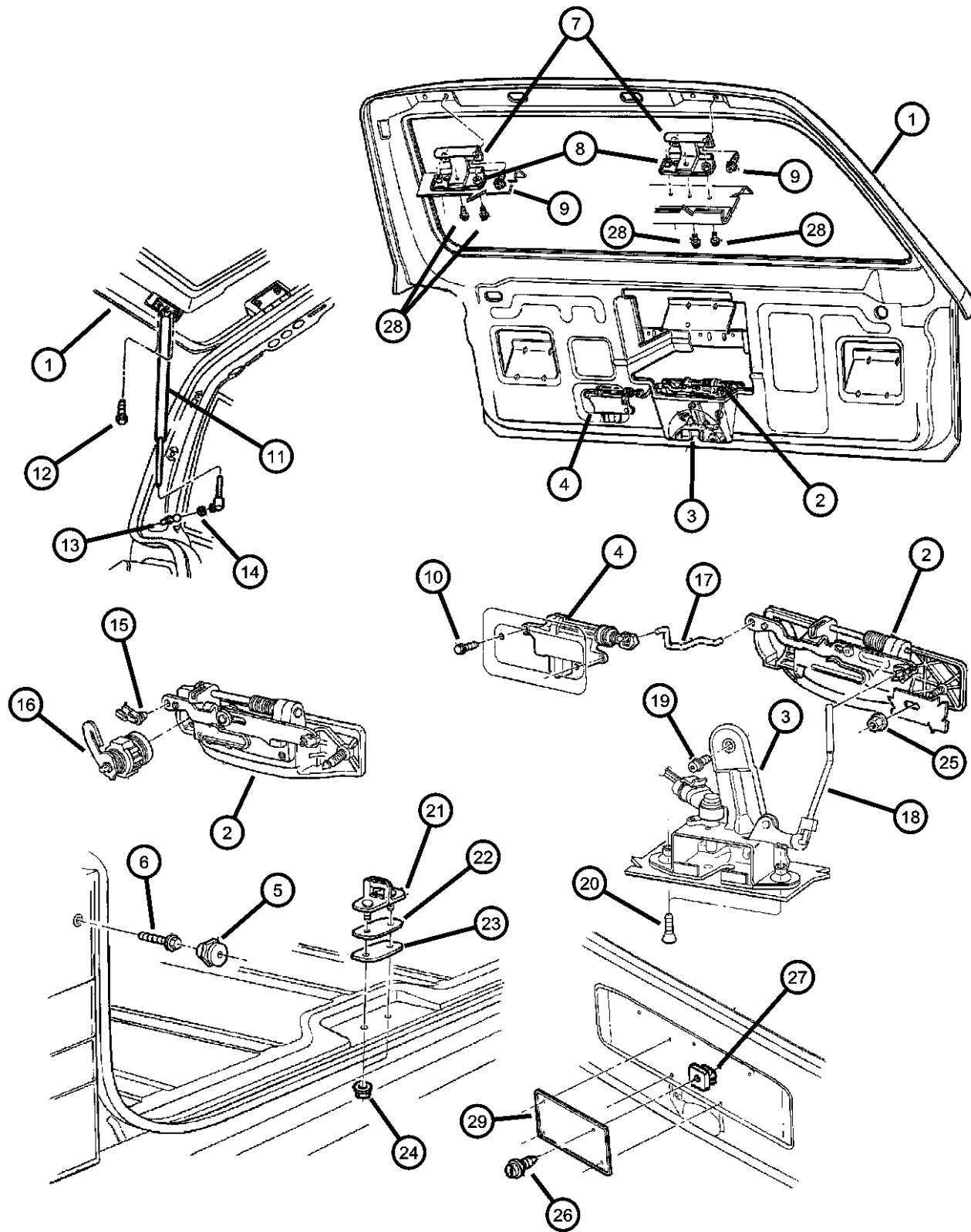
ENGINE

ENC = 2.5L 4 Cyl Turbo Diesel Engine
 EPE = Engine - 2.5L Power Tech I-4 Cyl.
 ERH = 4.0L Power Tech I-6 Engine
 ENO = Engines - ALL 4/5 CYL Turbo Diesel
 ERO = Engines - All 4.0L 6 Cyl Gas
 EPO = ENGINES - ALL 2.5L 4 CYL GAS

TRANSMISSION

DCB = Transmission - 4-Speed Manual,T3340
 DDQ = 5-Speed Manual Transmission
 DDX = 5-Speed HD Manual Transmission
 DGD = 3-Spd. Automatic 30RH Transmission
 DGK = 4-Spd. Automatic 42RE Transmission
 DGS = 4-Speed Automatic AW4 Transmission
 DGT = 4-Spd. Automatic 46RE Transmission
 DGW = TRANSMISSION - 4-SPD. AUTOMATIC,44RE
 DGX = 4-Speed Automatic Transmission
 DGY = No Description Available
 DGZ = Transmission- 4-Spd. Automatic,MT643
 DBB = ALL MANUAL TRANSMISSIONS
 DGO = TRANSMISSIONS - ALL AUTOMATIC

Lift Door, Latch and Hinges
Figure SXJ-1310



ITEM	PART NUMBER	QTY	LINE	SERIES	BODY	ENGINE	TRANS	TRIM	DESCRIPTION
1	55174895AC	1							LIFTGATE
2	55076016AE	1							HANDLE, Liftgate
3	55235643AB	1							LATCH, Liftgate
4	55295716AB	1							ACTUATOR, Liftgate Lock
5	55254847	2							BUMPER, Liftgate
6	06035646	2							BOLT, Hex Head, .312-18
7	55076225AB	2							HINGE, Liftgate
8	55235699	2							SEAL, Hinge
9	06503757	4							SCREW AND WASHER, Hex Head, M8-1.25x22.00
10	06503757	4							SCREW, .250-14x.750, (NOT SERVICED)
11	55076208	2							PROP, Liftgate
	G0004291								Mopar V-Line Alternative Part
12	55076208	2							SCREW, M6x1.00x20, (NOT SERVICED)
13	55075205AB	2							BALL STUD, Liftgate Glass
14	55075205AB	2							WASHER, (NOT SERVICED)
15	05257479	1							CLIP, Door Lock Rod
16	05257479	1							LOCK CYLINDER, Decklid, See Group 23c, (NOT SERVICED)
17	55076377	1							LINK, Latch Locking
18	55075860	1							ROD, Liftgate Handle to Latch
19	06503154	1							SCREW AND WASHER, Round Head, M8x1.25x20
20	06502623	2							SCREW, Flat Head, M8x1.25x23

CHEROKEE (XJ)

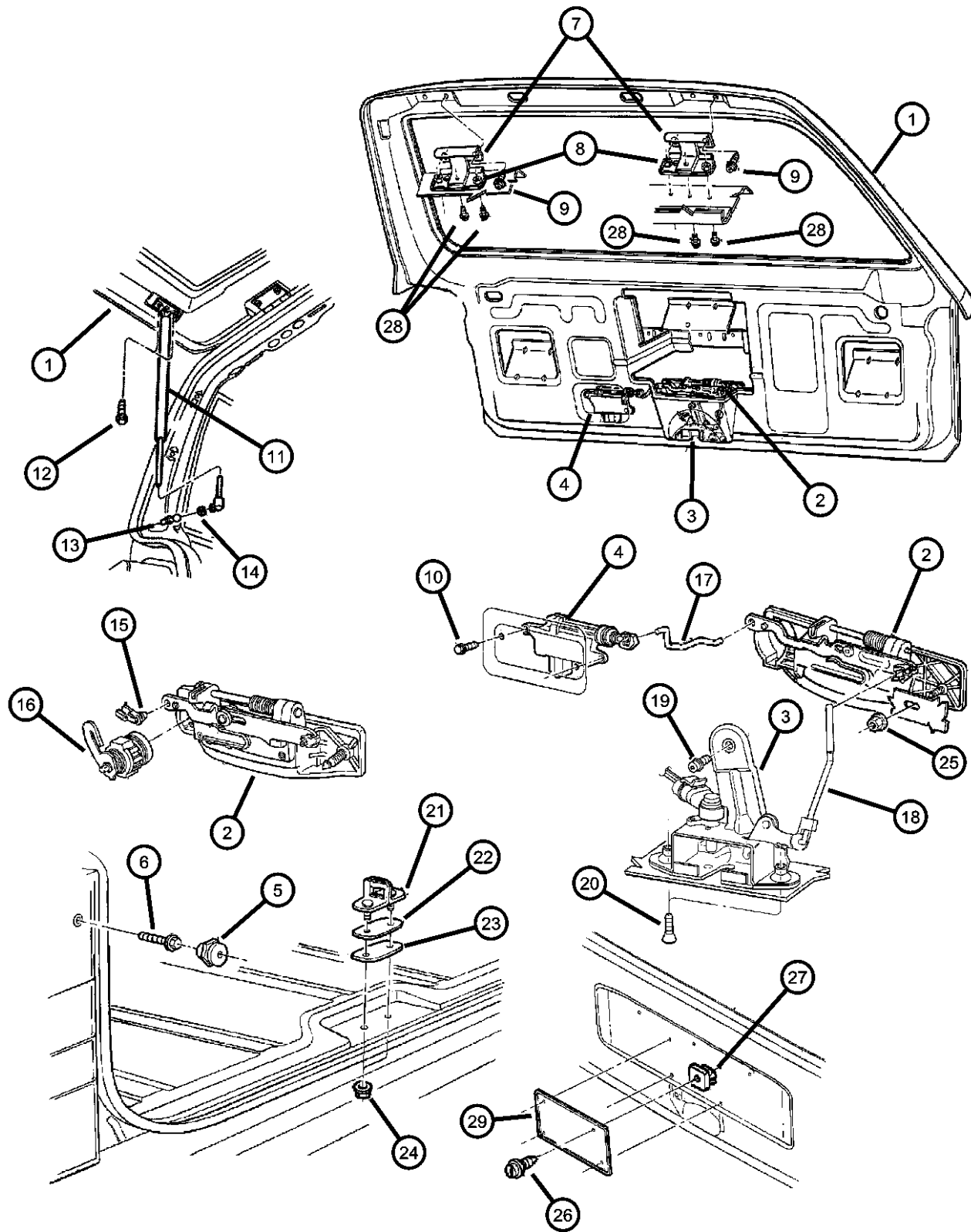
SERIES LINE
 L = LOWLINE B = JEEP - 2WD (RHD)
 U = JEEP - 4WD (RHD)
 T = LHD - (2WD)
 J = JEEP - - LHD (4WD)

BODY
 72 = 2DR (101.4 WB)
 74 = 4 DR (101.4 WB)

ENGINE TRANSMISSION
 ENC = 2.5L 4 Cyl Turbo Diesel Engine DCB = Transmission - 4-Speed Manual, T3340
 EPE = Engine - 2.5L Power Tech I-4 Cyl. DDQ = 5-Speed Manual Transmission
 ERH = 4.0L Power Tech I-6 Engine DDG = 5-Speed HD Manual Transmission
 ENO = Engines - ALL 4/5 CYL Turbo Diesel DGD = 3-Spd. Automatic 30RH Transmission
 ERO = Engines - All 4.0L 6 Cyl Gas DGK = 4-Spd. Automatic 42RE Transmission
 EPO = ENGINES - ALL 2.5L 4 CYL GAS DGS = 4-Speed Automatic AW4 Transmission
 DGT = 4-Spd. Automatic 46RE Transmission
 DGW = TRANSMISSION - 4-SPD. AUTOMATIC, 44RE
 DGX = 4-Speed Automatic Transmission
 DGY = No Description Available
 DGZ = Transmission- 4-Spd. Automatic, MT643
 DBB = ALL MANUAL TRANSMISSIONS
 DGO = TRANSMISSIONS - ALL AUTOMATIC

AR = use ase required - = Non illustrated part

Lift Door, Latch and Hinges
Figure SXJ-1310



ITEM	PART NUMBER	QTY	LINE	SERIES	BODY	ENGINE	TRANS	TRIM	DESCRIPTION
21	55296077	1							STRIKER, Door Latch
22	55235844AA	AR							STRIKER, Seal Plate
23	55076341	1							STRIKER, Liftgate
24	06101761	2							NUT, Coned Washer, M10 x 1.50
25	06501730	1							NUT, Retainer, M6 x 1.00
26	06502407	4							SCREW AND WASHER, Hex Head, M6x1x20, SETUP NUT, (NOT SERVICED)
27	06502407	4							SCREW AND WASHER, Hex Head, M8x1.25x25
28	06503764	6							LICENSE PLATE KIT, (NOT SERVICED)
29	06503764	6							LICENSE PLATE KIT, (NOT SERVICED)

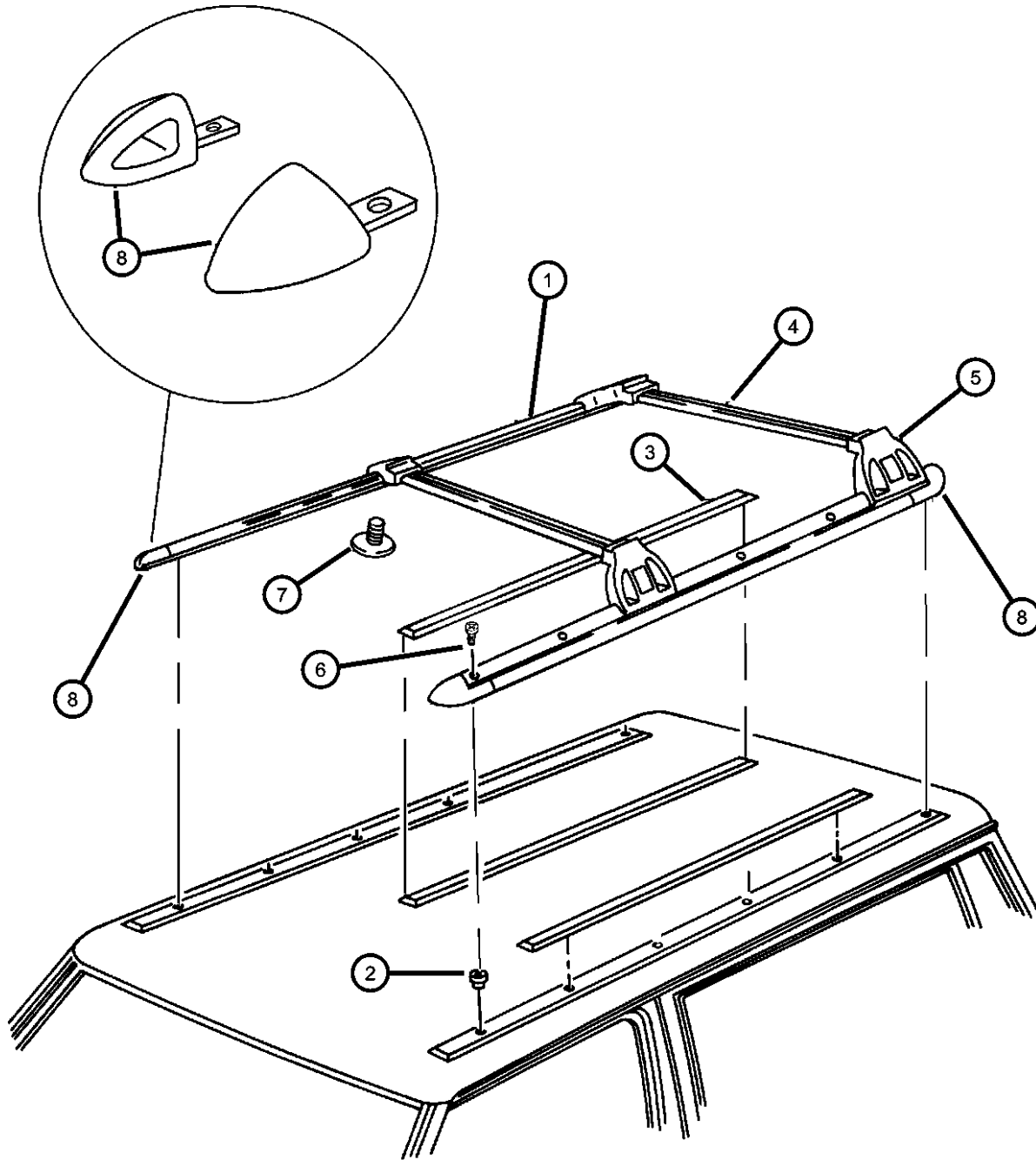
CHEROKEE (XJ)

SERIES	LINE	BODY	ENGINE	TRANSMISSION
L = LOWLINE	B = JEEP - 2WD (RHD) U = JEEP - 4WD (RHD) T = LHD - (2WD) J = JEEP - - LHD (4WD)	72 = 2DR (101.4 WB) 74 = 4 DR (101.4 WB)	ENC = 2.5L 4 Cyl Turbo Diesel Engine EPE = Engine - 2.5L Power Tech I-4 Cyl. ERH = 4.0L Power Tech I-6 Engine ENO = Engines - ALL 4/5 CYL Turbo Diesel ERO = Engines - All 4.0L 6 Cyl Gas EPO = ENGINES - ALL 2.5L 4 CYL GAS	DCB = Transmission - 4-Speed Manual, T3340 DDQ = 5-Speed Manual Transmission DDX = 5-Speed HD Manual Transmission DGD = 3-Spd. Automatic 30RH Transmission DGK = 4-Spd. Automatic 42RE Transmission DGS = 4-Speed Automatic AW4 Transmission DGT = 4-Spd. Automatic 46RE Transmission DGW = TRANSMISSION - 4-SPD. AUTOMATIC, 44RE DGX = 4-Speed Automatic Transmission DGY = No Description Available DGZ = Transmission- 4-Spd. Automatic, MT643 DBB = ALL MANUAL TRANSMISSIONS DGO = TRANSMISSIONS - ALL AUTOMATIC

AR = use ase required - = Non illustrated part

**Rack, Roof Luggage
Figure SXJ-1610**

ITEM	PART NUMBER	QTY	LINE	SERIES	BODY	ENGINE	TRANS	TRIM	DESCRIPTION
1	55075115	2							RAIL, Luggage Rack Side
		4	B, U						AUSTRALIA, JAPAN
2	06503910	12							NUT
3	55075106	4							SKID STRIP, Roof Rack
4	55235239AC	2							CROSS BAR, Roof Rack
		4	B, U						Smooth Paint
	55235239AD	2							Smooth Paint, AUSTRALIA, JAPAN
		4	B, U						Textured Finish
		4	B, U						Textured Finish, AUSTRALIA, JAPAN
5	55074633	4							STANCHION, Luggage Rack Cross Bar
		8	B, U						AUSTRALIA, JAPAN
6	06502667	12							SCREW, Pan Head, M6x1x16
7	06035499	4							SCREW, Pan Head Tapping, .242-10x.625
8	55075084	2							CAP, Side Rail
	55075085	2							Right Front, Left Rear
	55075085	2							Left Front, Right Rear
-9	55075085	2							SPRING, Tension, (NOT SERVICED)



CHEROKEE (XJ)

SERIES LINE
 L = LOWLINE B = JEEP - 2WD (RHD)
 U = JEEP - 4WD (RHD)
 T = LHD - (2WD)
 J = JEEP - - LHD (4WD)

BODY
 72 = 2DR (101.4 WB)
 74 = 4 DR (101.4 WB)

ENGINE TRANSMISSION
 ENC = 2.5L 4 Cyl Turbo Diesel Engine DCB = Transmission - 4-Speed Manual, T3340
 EPE = Engine - 2.5L Power Tech I-4 Cyl. DDQ = 5-Speed Manual Transmission
 ERH = 4.0L Power Tech I-6 Engine DDG = 5-Speed HD Manual Transmission
 ENO = Engines - ALL 4/5 CYL Turbo Diesel DGD = 3-Spd. Automatic 30RH Transmission
 ERO = Engines - All 4.0L 6 Cyl Gas DGK = 4-Spd. Automatic 42RE Transmission
 EPO = ENGINES - ALL 2.5L 4 CYL GAS DGS = 4-Speed Automatic AW4 Transmission
 DGT = 4-Spd. Automatic 46RE Transmission
 DGW = TRANSMISSION - 4-SPD. AUTOMATIC, 44RE
 DGX = 4-Speed Automatic Transmission
 DGY = No Description Available
 DGZ = Transmission- 4-Spd. Automatic, MT643
 DBB = ALL MANUAL TRANSMISSIONS
 DGO = TRANSMISSIONS - ALL AUTOMATIC

AR = use ase required - = Non illustrated part